

# Parts Catalogue

## Ninja ZX-4RR(SE)

2024

ZX400SRFNN

2025

ZX400SSFAN

**Kawasaki**

Let the Good Times Roll

## '24-'25 ZX400 SRFNN/SSFAN

## Model Information

---

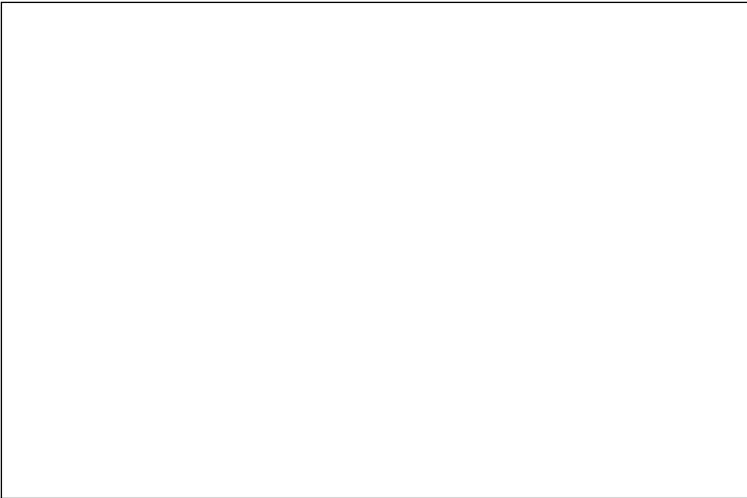
Year & Model '24 ZX400SRFNN  
Color 1.LIME GREEN(777)  
  
VIN No. Range ML5ZXCS1\_RDA05791 - A31010  
Engine No. Range ZX400PEA00001 -  
Owner's Manual No. 99808-0369  
Service Manual No. 99830-0120-05

'25 ZX400SSFAN  
1.METALLIC MATTE GRAPHITE GRAY(53U)  
2.LIME GREEN(777)  
ML5ZXCS1\_SDA31011 -  
ZX400PEA00001 -  
99819-0023  
99830-0120-07

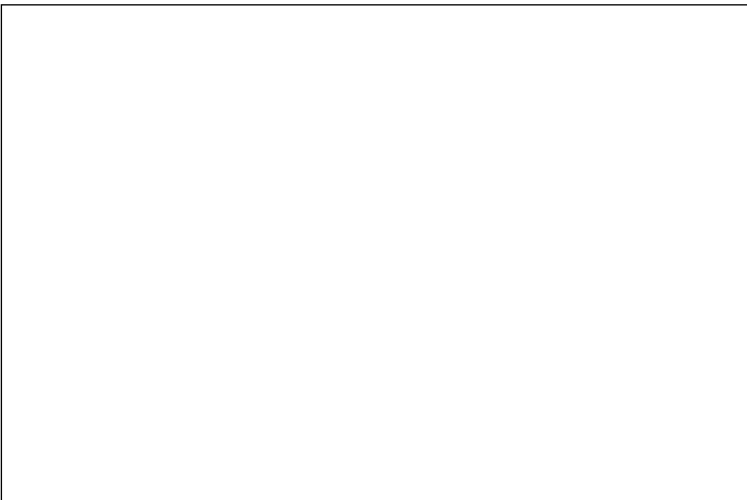


# ZX400SRFNN

Left Side View

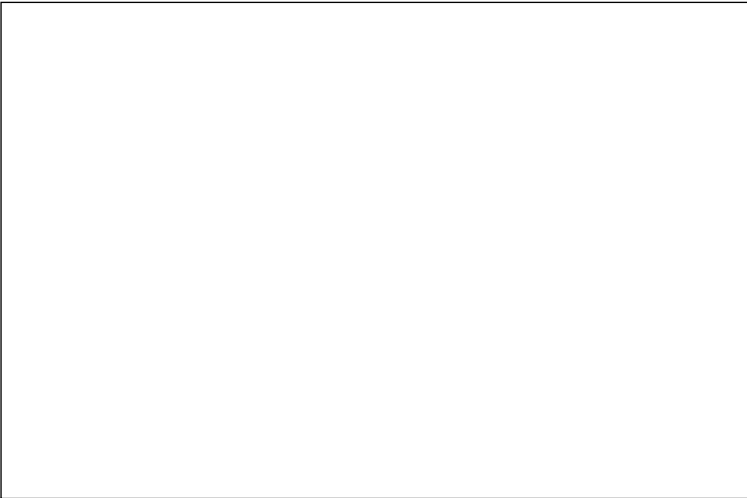


Right Side View

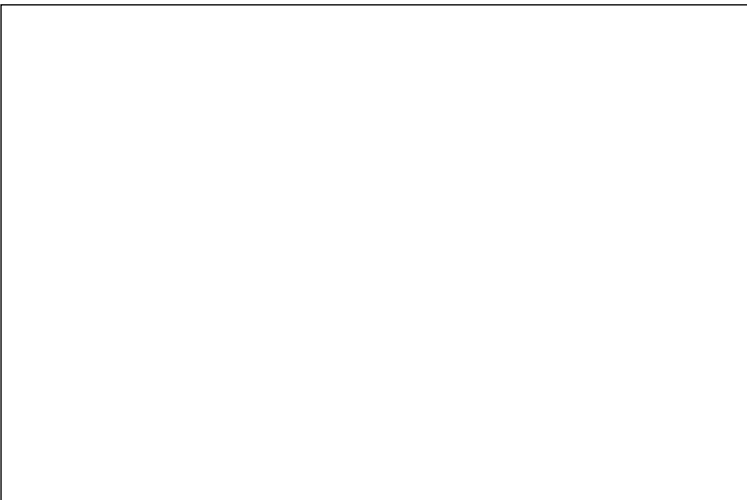


# ZX400SSFAN

Left Side View



Right Side View







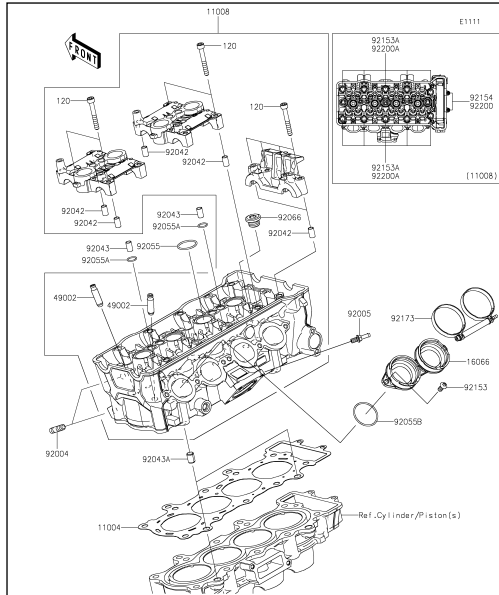




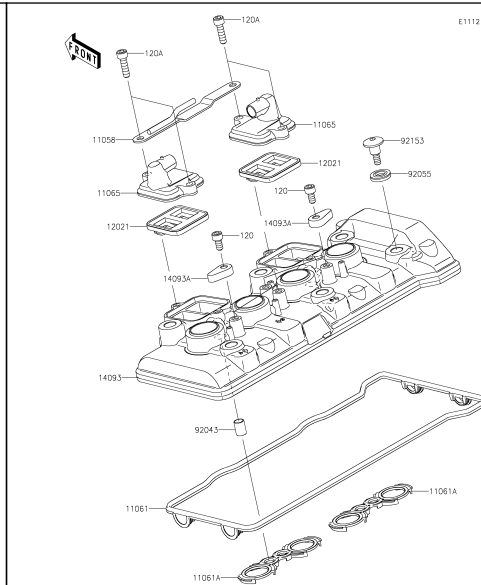




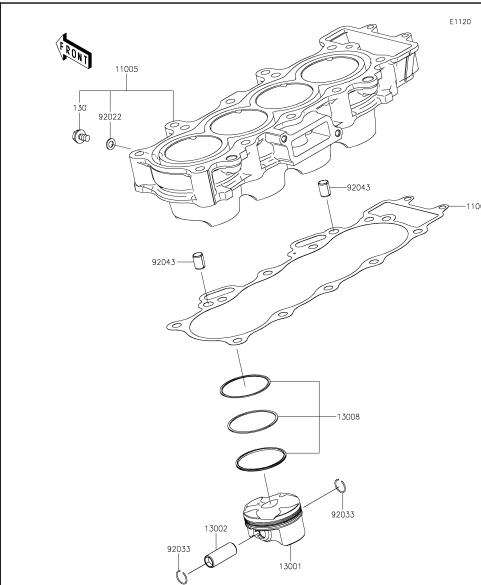




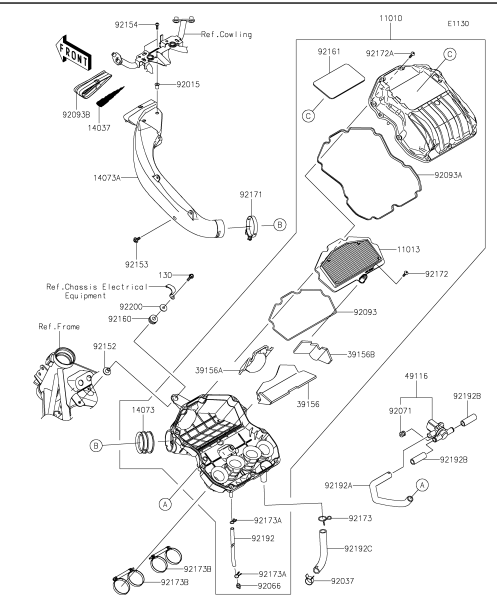
**1** Cylinder Head



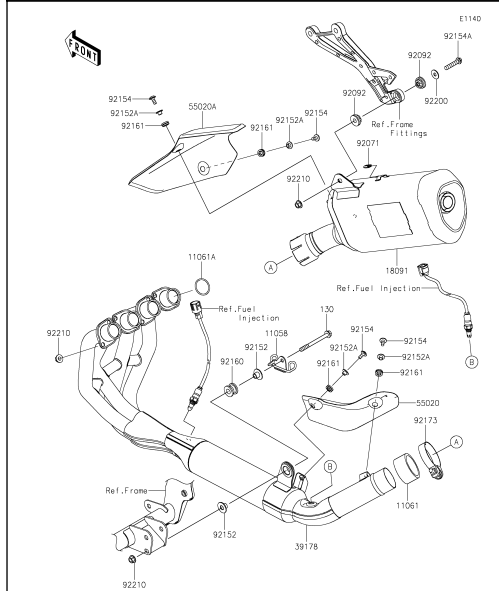
**2** Cylinder Head Cover



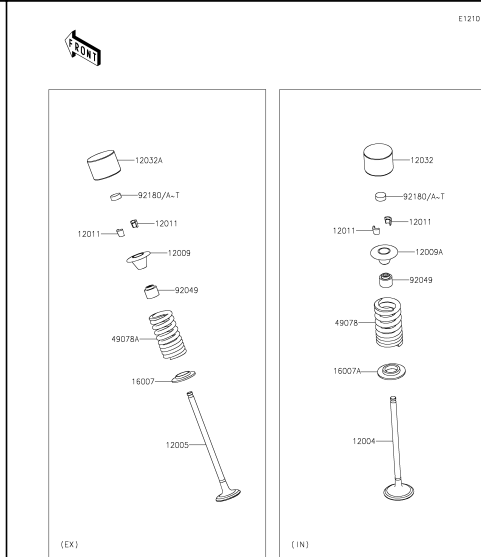
**3** Cylinder/Piston(s)



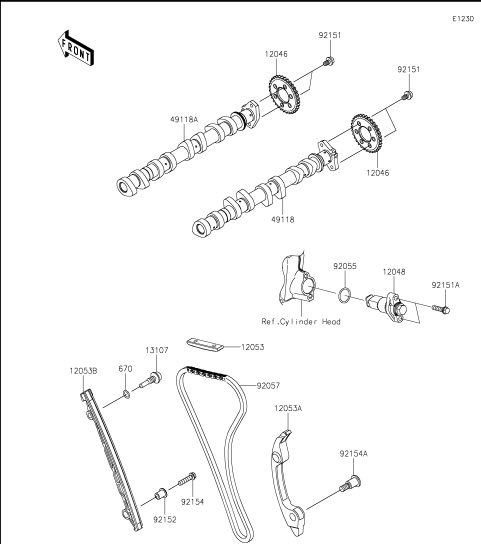
**4** Air Cleaner



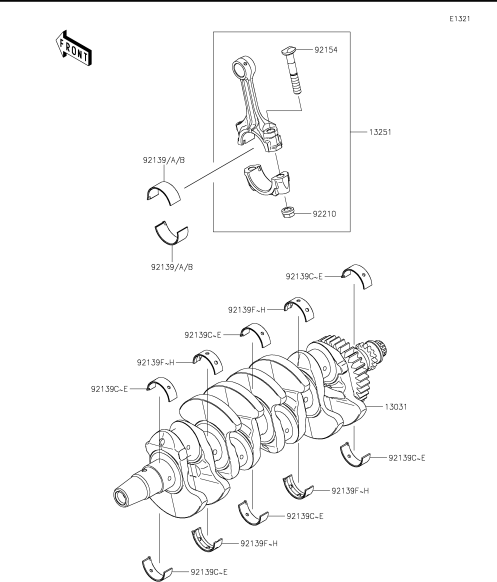
**5** Muffler(s)



**6** Valve(s)



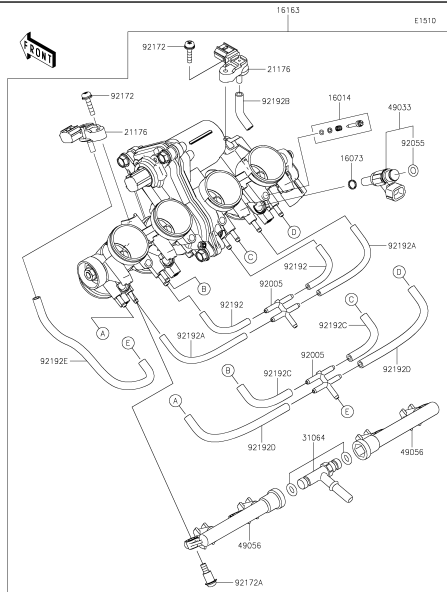
**7** Camshaft(s)/Tensioner



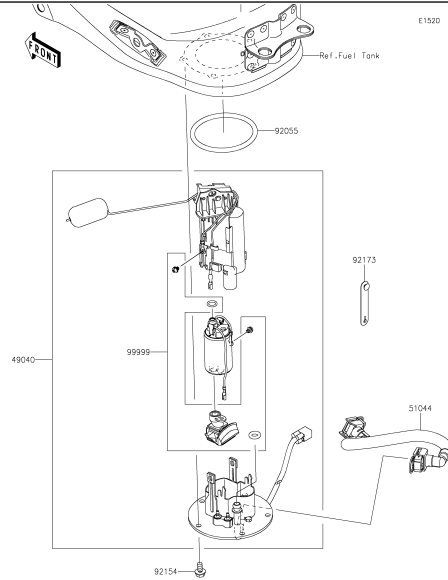
**8** Crankshaft



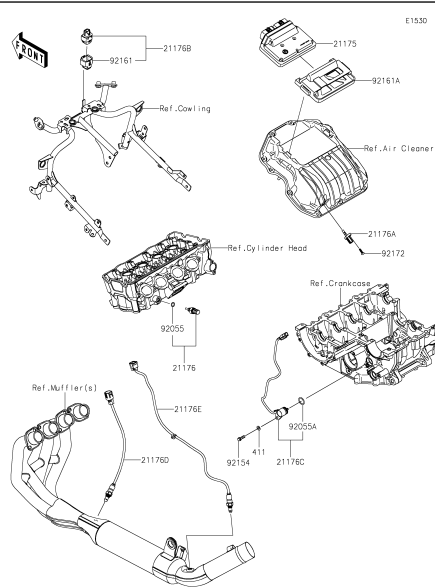




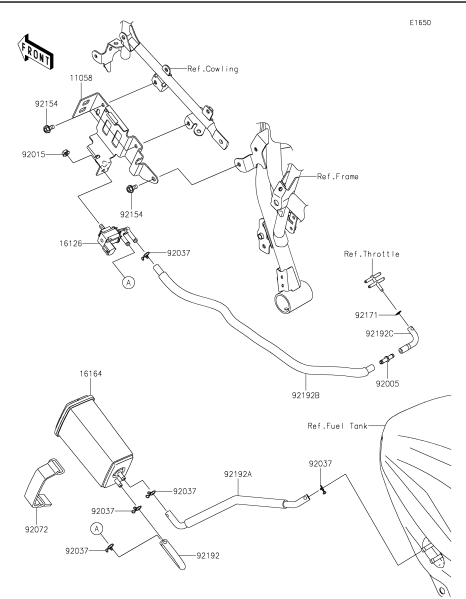
17 Throttle



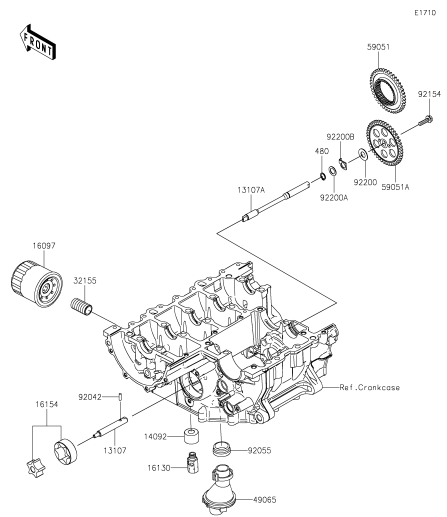
18 Fuel Pump



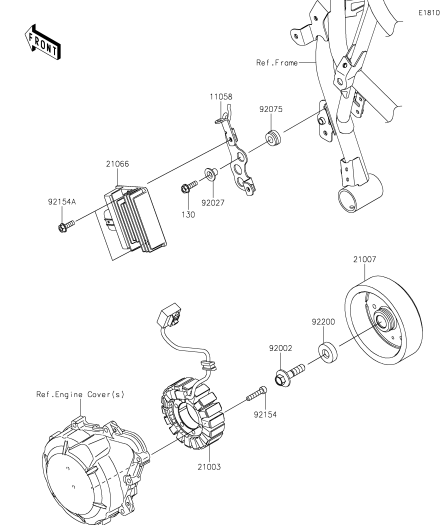
19 Fuel Injection



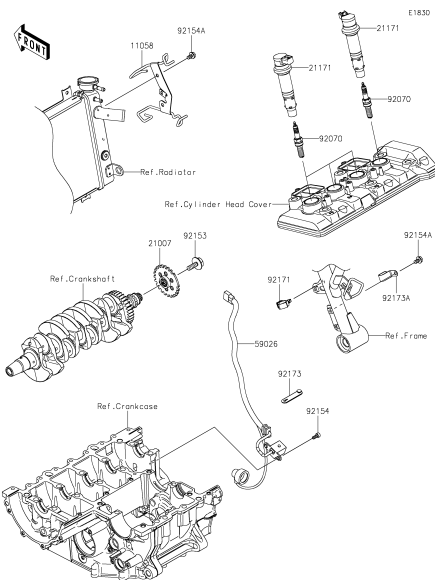
20 Fuel Evaporative System



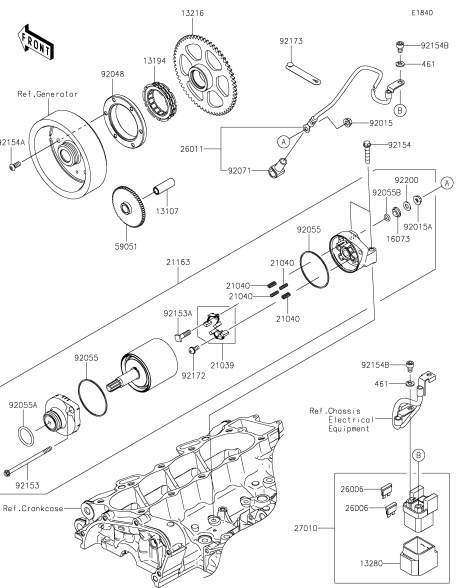
21 Oil Pump



22 Generator



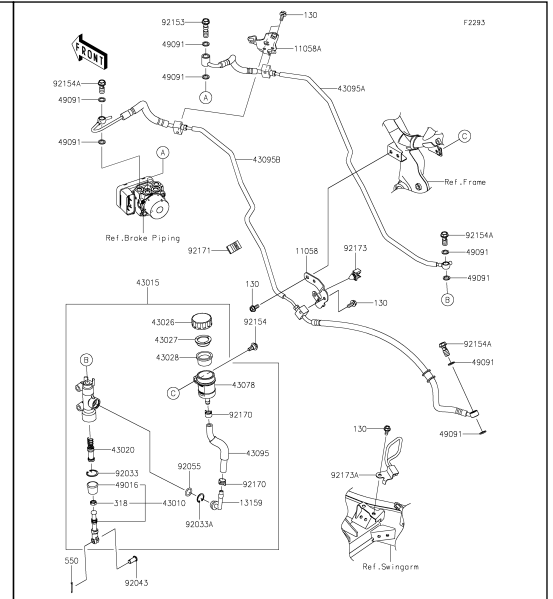
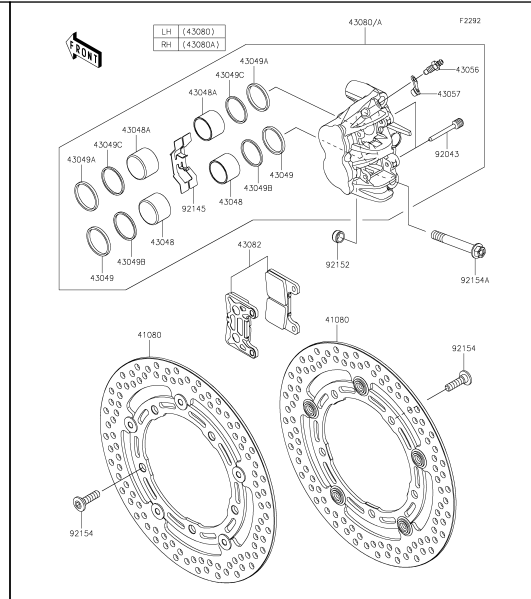
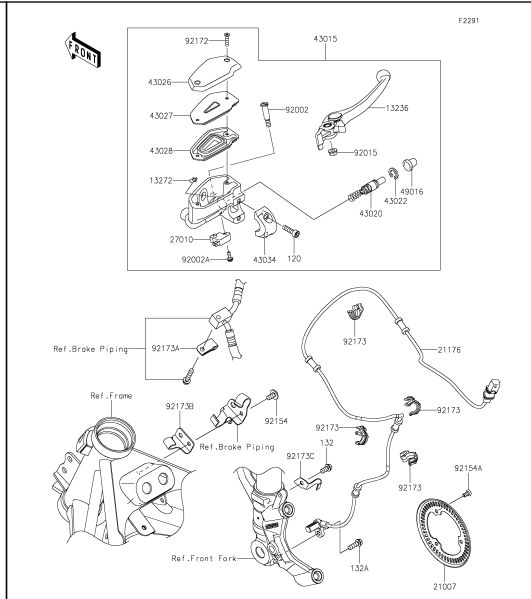
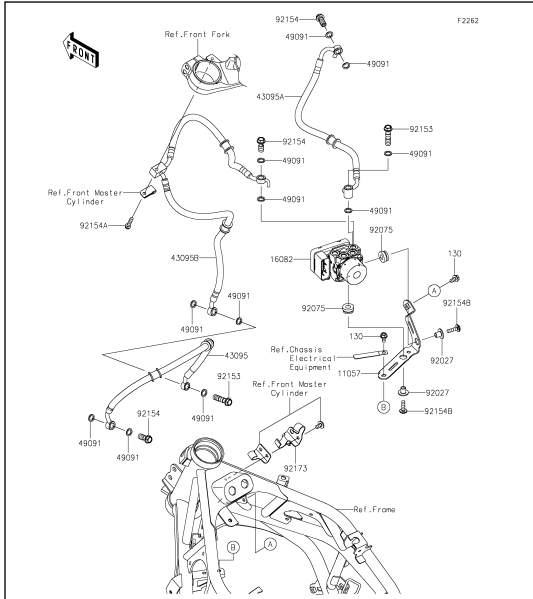
23 Ignition System



24 Starter Motor





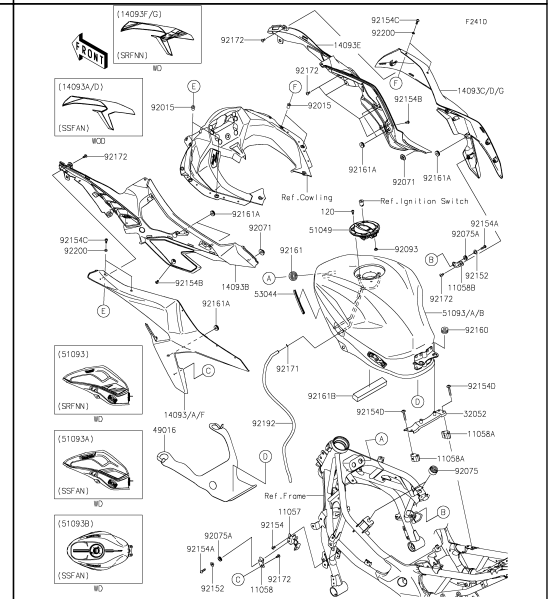
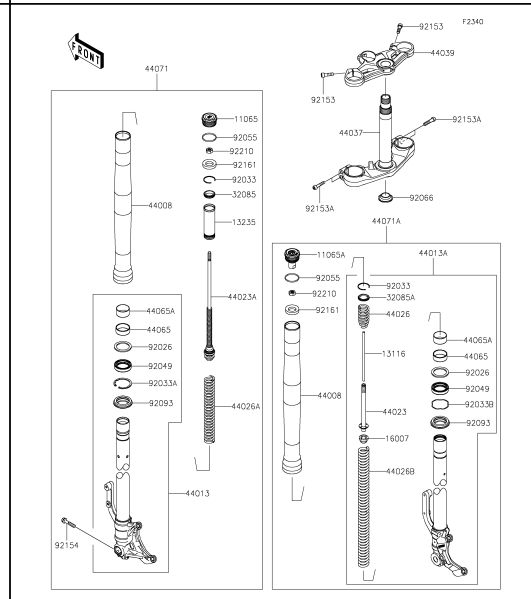
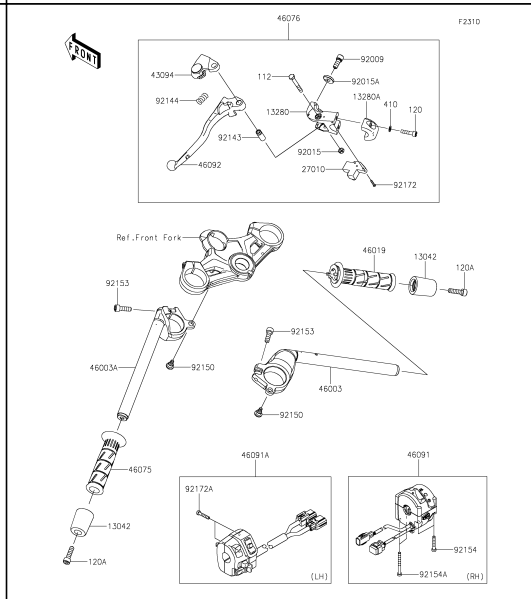
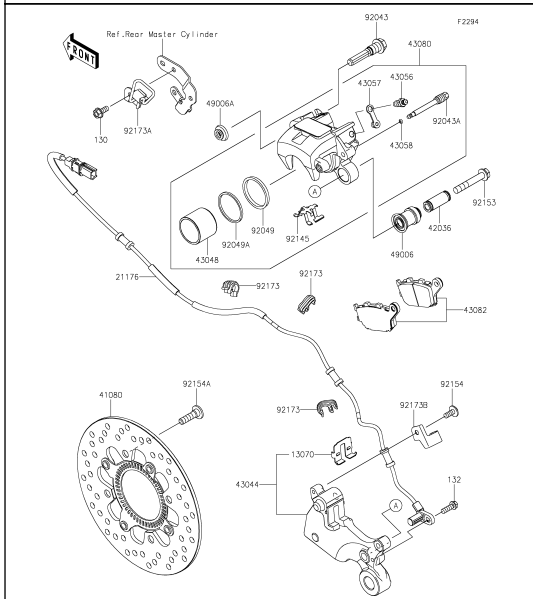


**41** Brake Piping

**42** Front Master Cylinder

**43** Front Brake

**44** Rear Master Cylinder

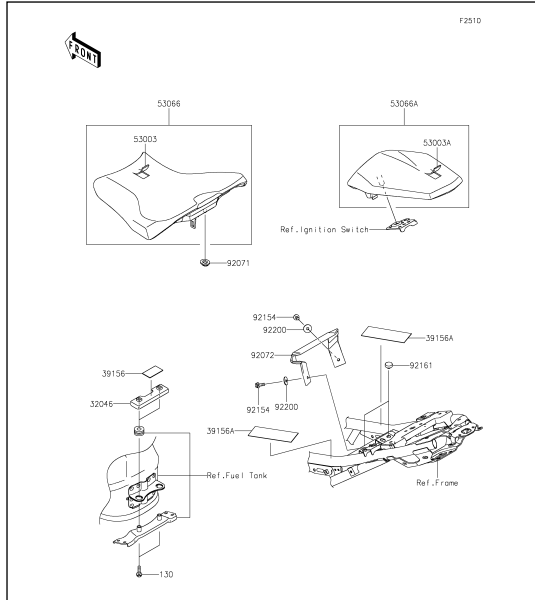


**45** Rear Brake

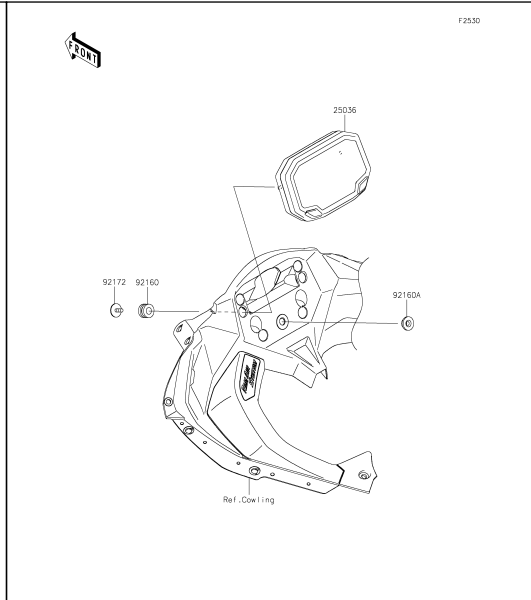
**46** Handlebar

**47** Front Fork

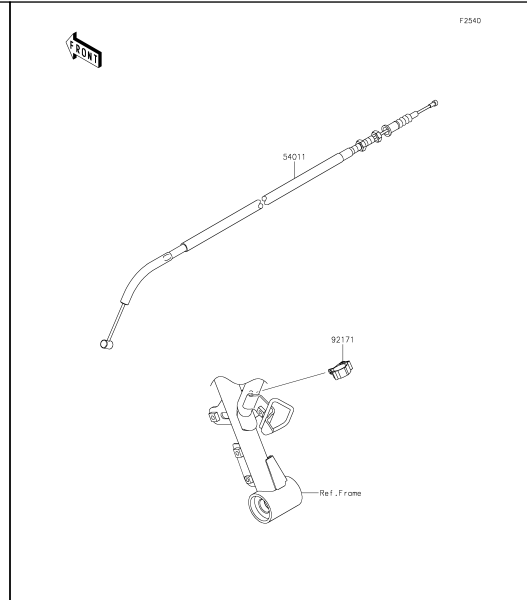
**48** Fuel Tank



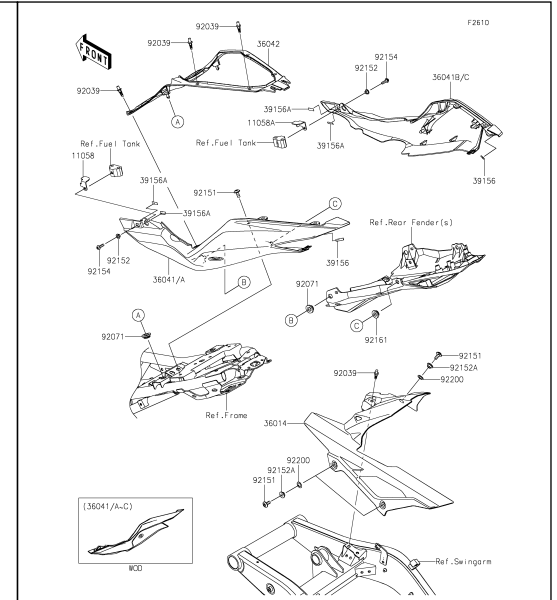
**49** Seat



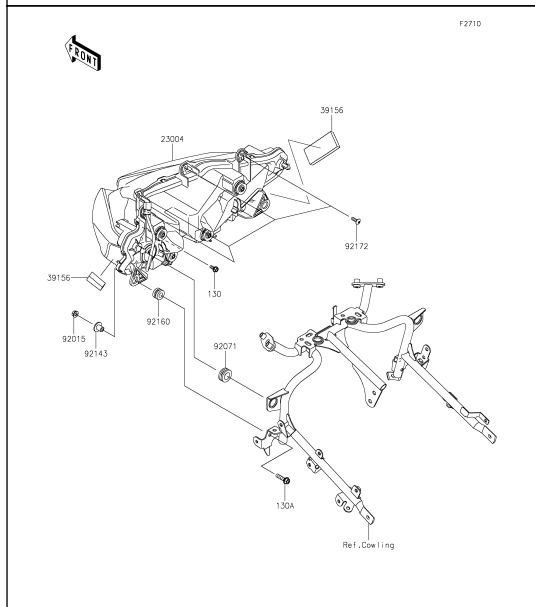
**50** Meter(s)



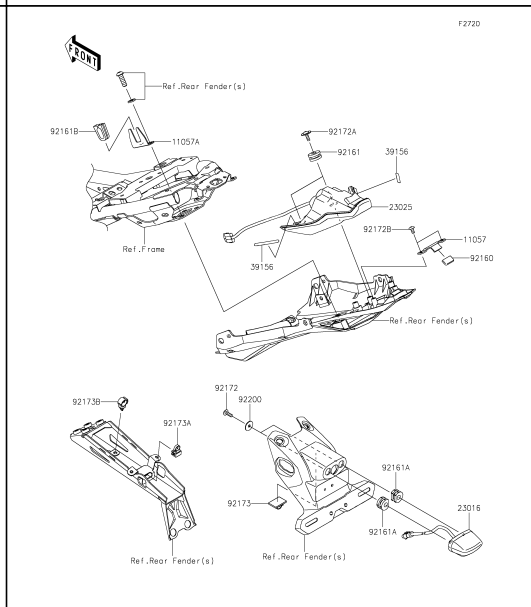
**51** Cables



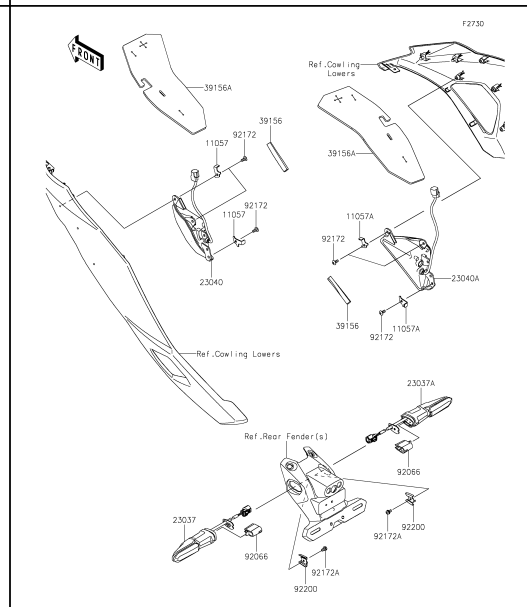
**52** Side Covers/Chain Cover



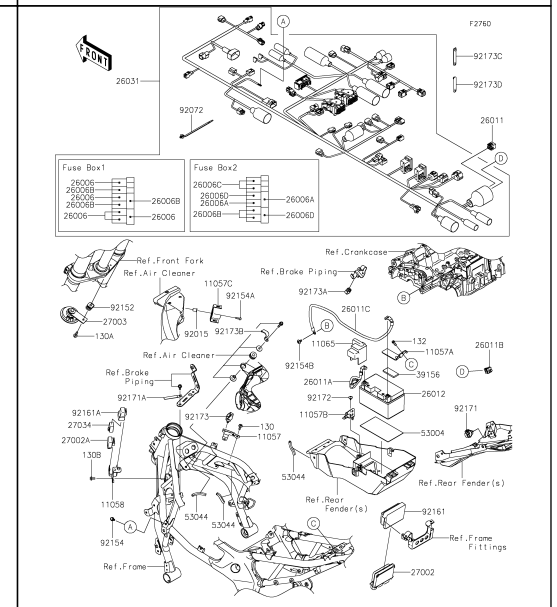
**53** Headlight(s)



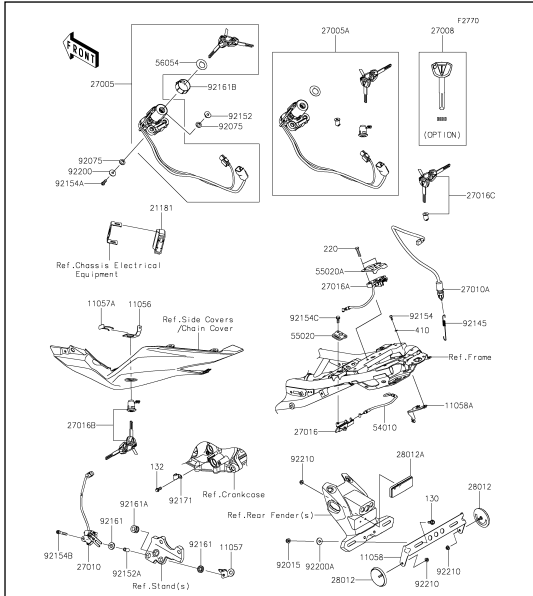
**54** Taillight(s)



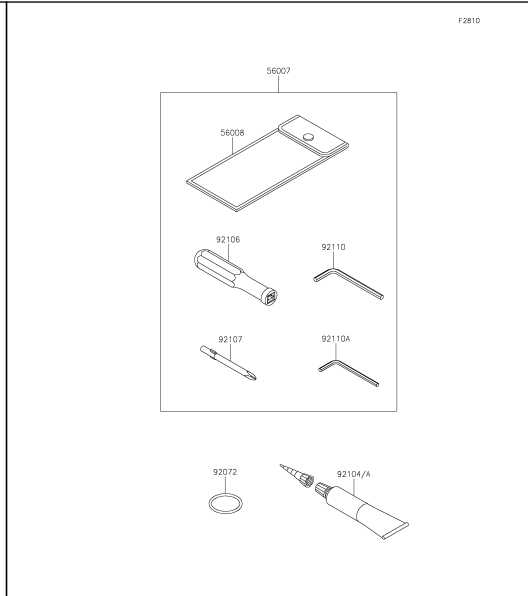
**55** Turn Signals



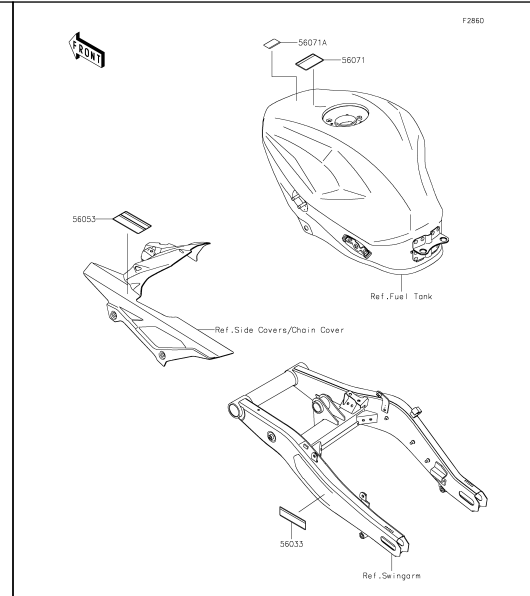
**56** Chassis Electrical Equipment



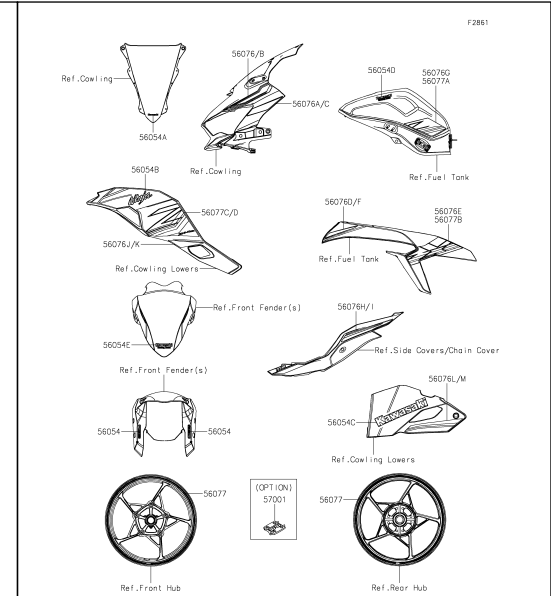
**57** Ignition Switch



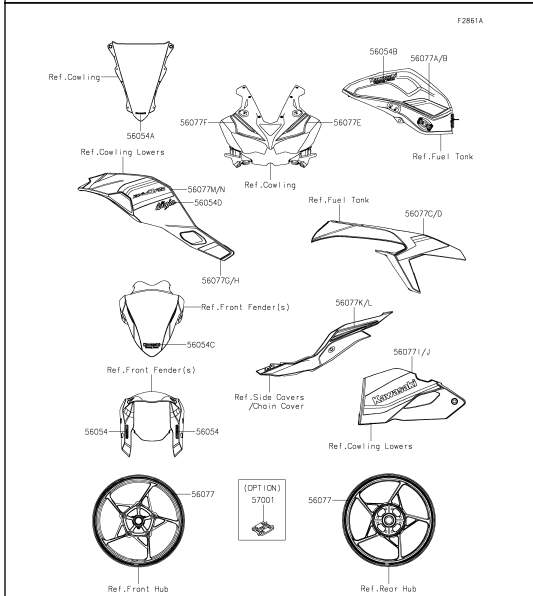
**58** Owner's Tools



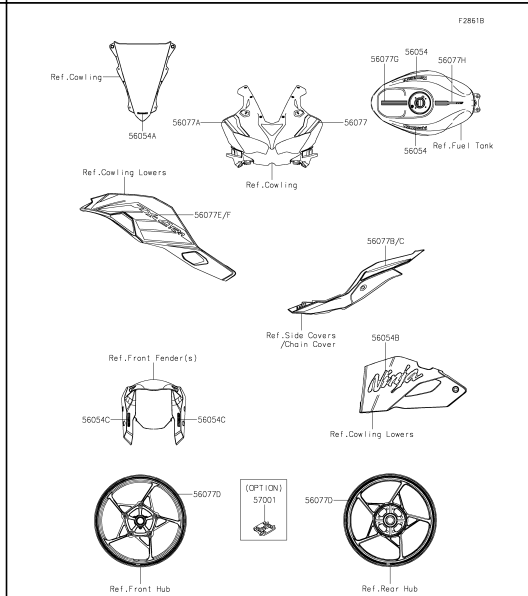
**59** Labels



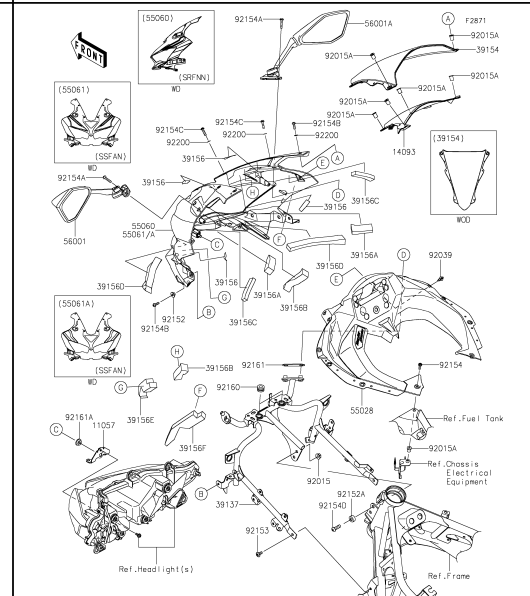
**60** Decals(Green)(SRFNN)



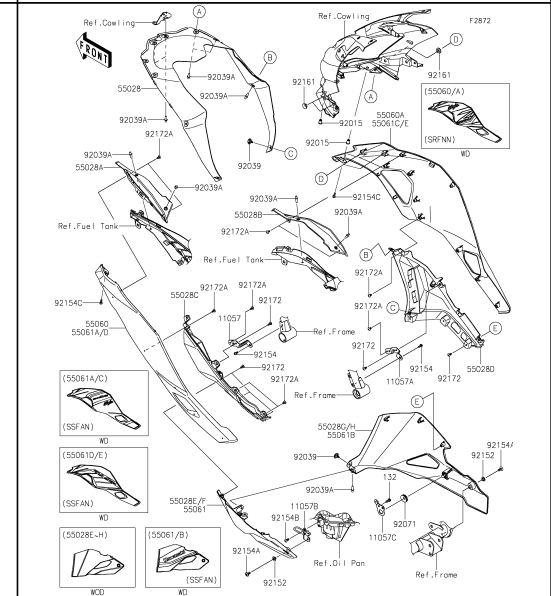
**61** Decals(Green)(SSFAN)



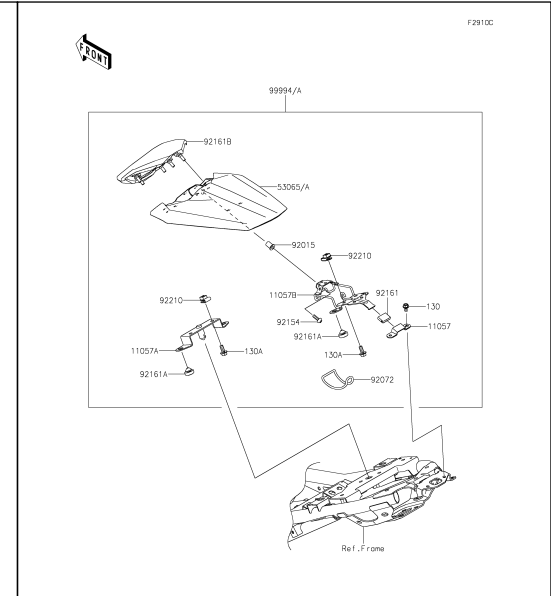
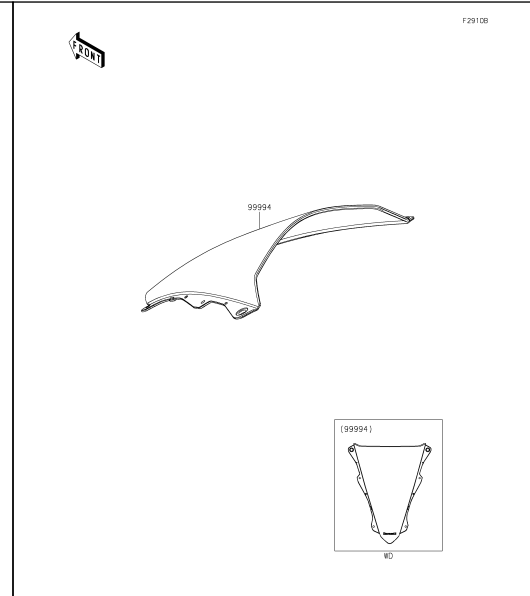
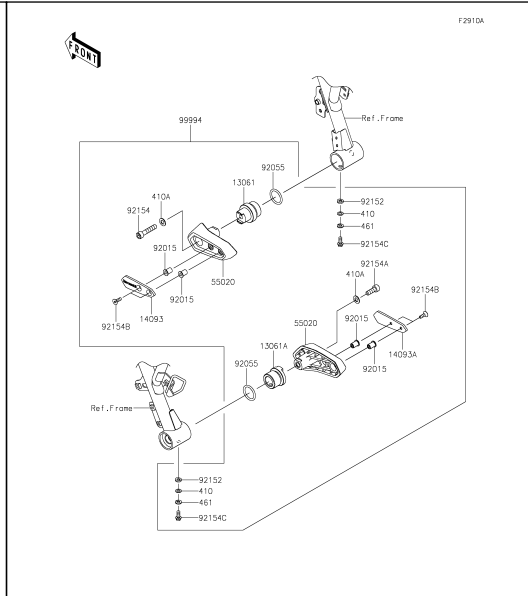
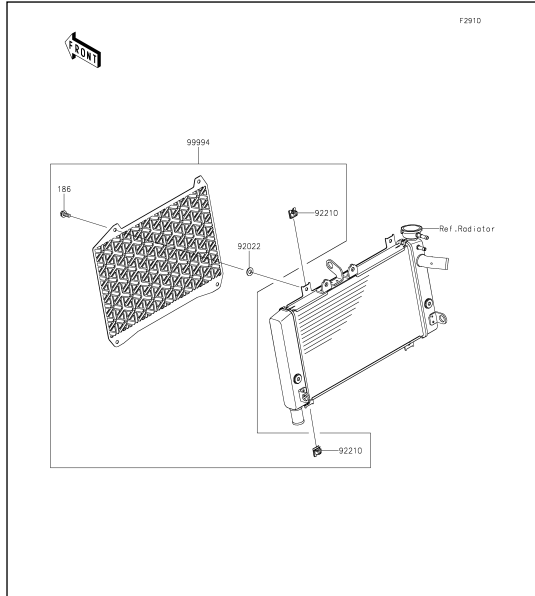
**62** Decals(Gray)(SSFAN)



**63** Cowling



**64** Cowling Lower

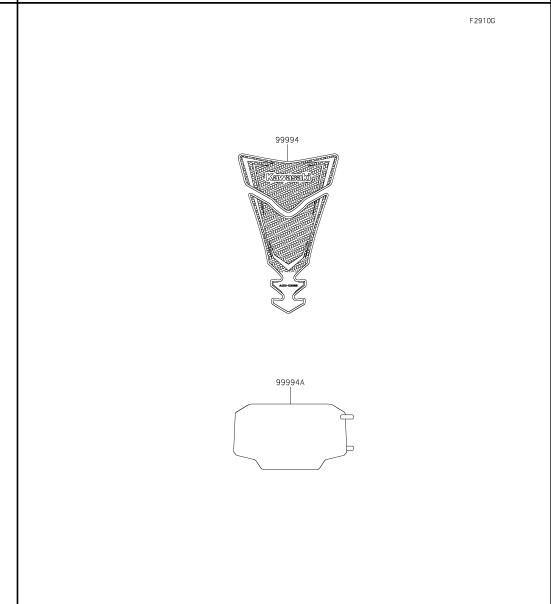
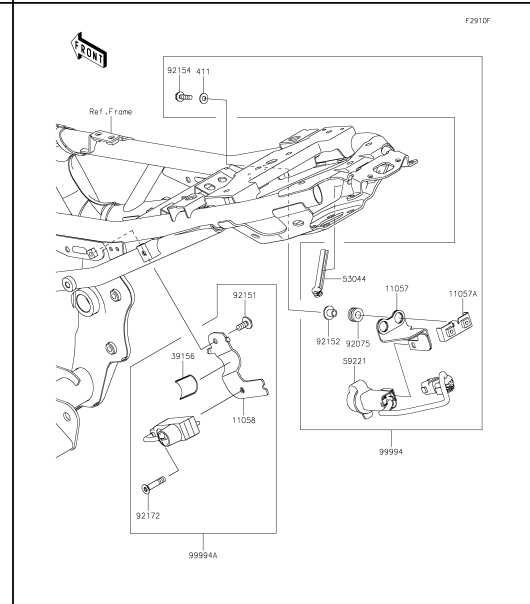
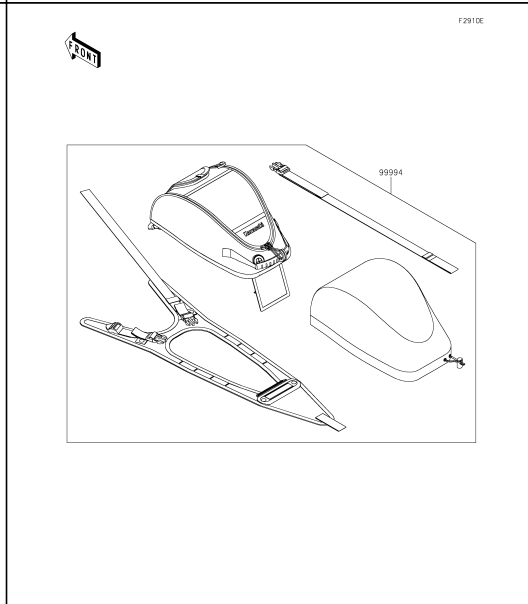
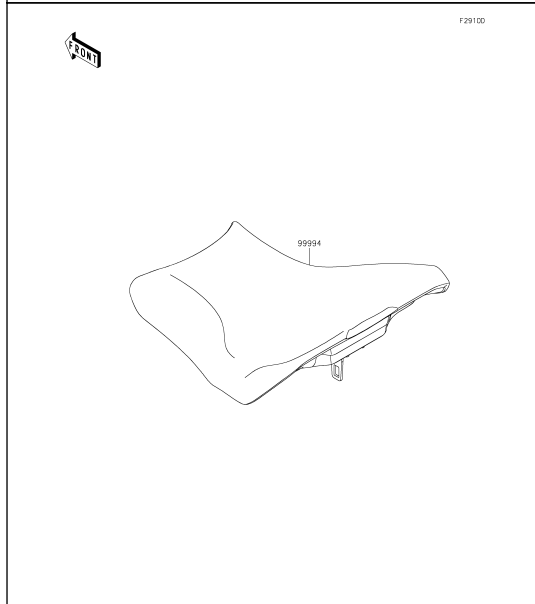


**65** Accessory(Radiator Trim)

**66** Accessory(Slider)

**67** Accessory(Windshield)

**68** Accessory(Pillion Seat Cover)



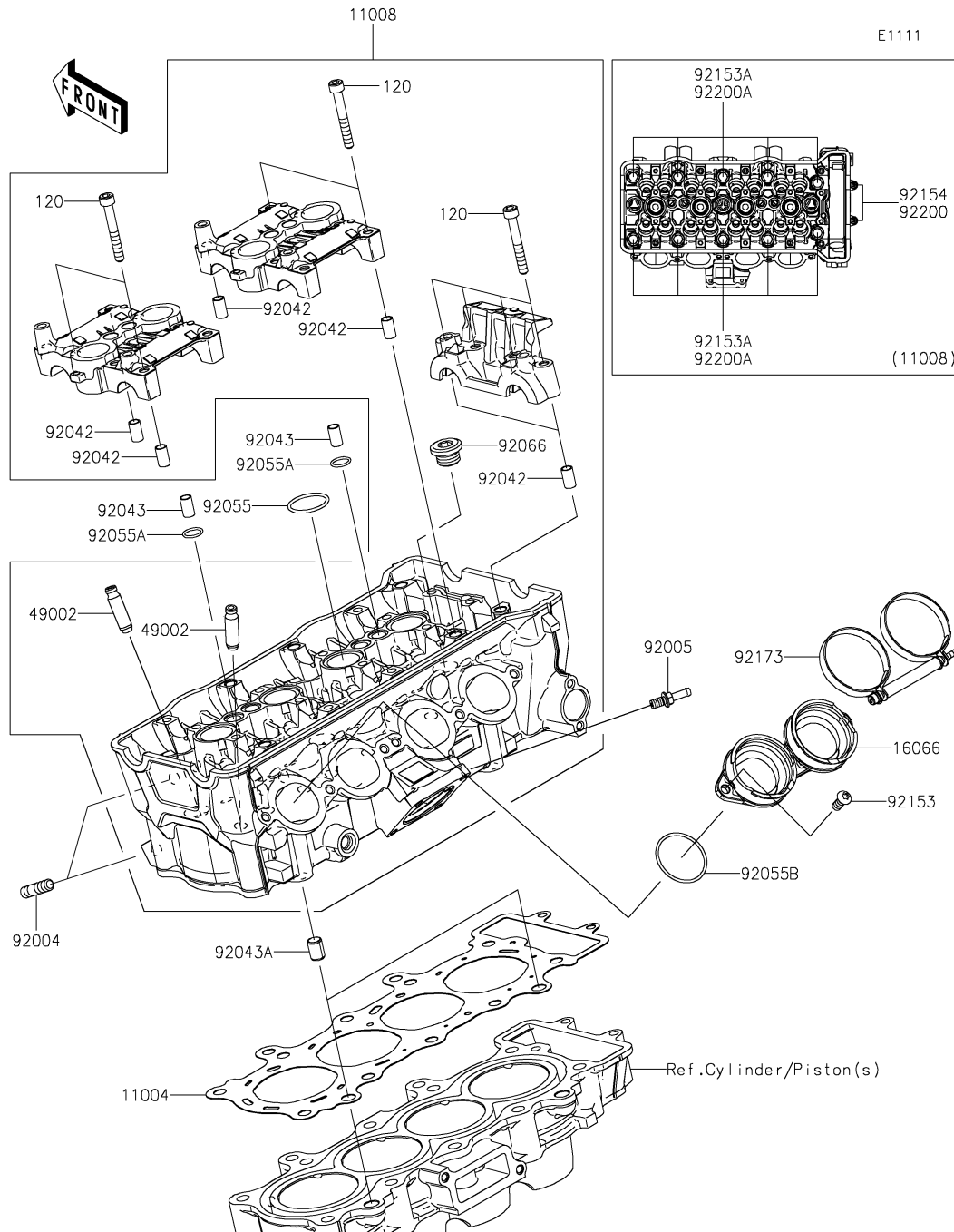
**69** Accessory(Seat)

**70** Accessory(Tank Bag)

**71** Accessory(Helmet Lock etc .)

**72** Accessory(Tank Pads and Meter Film)

# '24-'25 ZX400 SRFNN/SSFAN



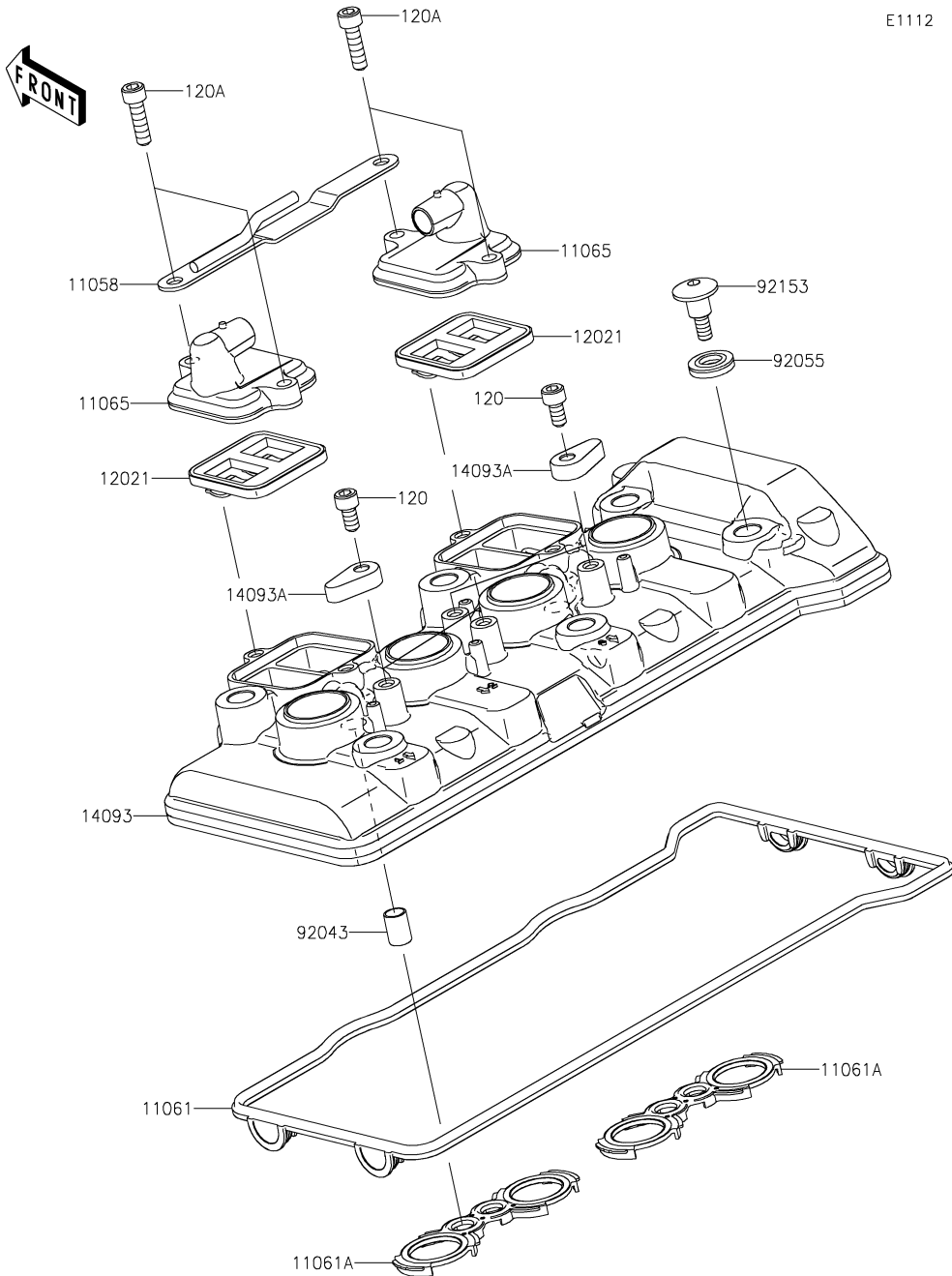
## 1. Cylinder Head

Ref. No.	Part No.	Description	Spec Code	Quantity			
				'24	'25		
				SRFNN	SSFAN		
11004	11004-0806	GASKET-HEAD		1	1		
11008	11008-1503	HEAD-COMP-CYLINDER		1	1		
16066	16066-0025	HOLDER-THROTTLE BODY		2	2		
49002	49002-1152	GUIDE-VALVE		16	16		
92004	92004-0049	STUD,8X18		8	8		
92005	92005-0826	FITTING		1	1		
92042	92042-007	PIN,DOWEL,6.3X8X14		6	6		
92043	92043-1037	PIN,DOWEL,10X14		4	4		
92043A	92043-1264	PIN,8.2X10X14		2	2		
92055	92055-0074	RING-O,25.5X2		4	4		
92055A	92055-0133	RING-O,11.5X1.5		4	4		
92055B	92055-1742	RING-O,36.2X1.9		4	4		
92066	92066-0129	PLUG,16X10		3	3		
92153	92153-0406	BOLT,TORX,6X14		6	6		
92153A	92153-0960	BOLT,FLANGED,8X120		10	10		
92154	92154-7031	BOLT,SOCKET,6X80		2	2		
92173	92173-2681	CLAMP		2	2		
92200	92200-0190	WASHER,6.1X10.0X1.0		2	2		
92200A	92200-2372	WASHER,WAVE,8.2X16.4X1.6		10	10		
120	120CA0645	BOLT-SOCKET,6X45		20	20		



# '24-'25 ZX400 SRFNN/SSFAN

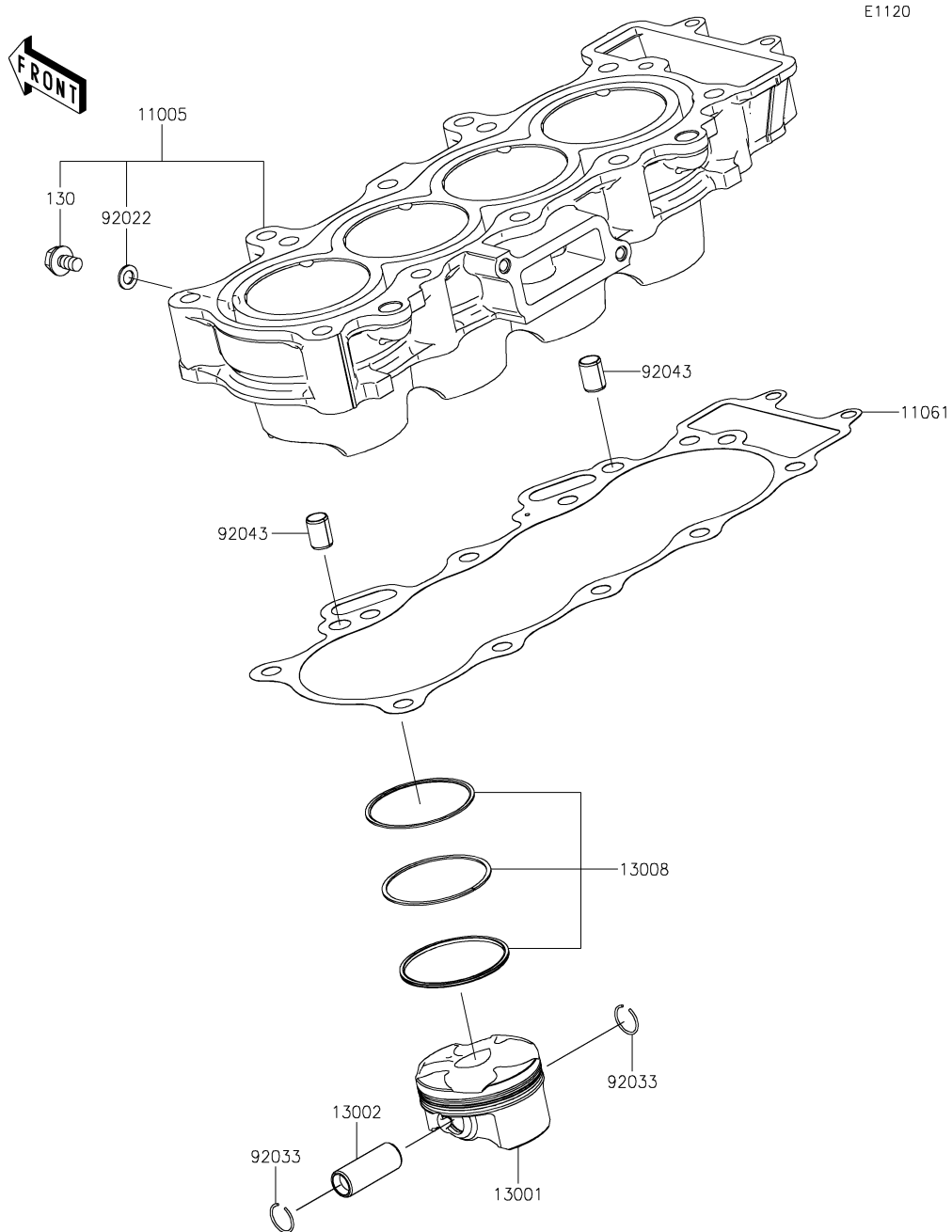
## 2. Cylinder Head Cover



Ref. No.	Part No.	Description	Spec Code	Quantity			
				'24	'25		
				SRFNN	SSFAN		
11058	11058-0546	BRACKET,HEAD COVER CAP		1	1		
11061	11061-1420	GASKET,HEAD COVER		1	1		
11061A	11061-1464	GASKET,PLUG HOLE		2	2		
11065	11065-1417	CAP,HEAD COVER		2	2		
12021	12021-0708	VALVE-ASSY-REED		2	2		
14093	14093-1217	COVER,HEAD		1	1		
14093A	14093-1450	COVER		4	4		
92043	92043-1037	PIN,DOWEL,10X14		4	4		
92055	92055-0143	RING-O		6	6		
92153	92153-1779	BOLT,SOCKET,6X22.5		6	6		
120	120CA0612	BOLT-SOCKET,6X12		4	4		
120A	120CA0622	BOLT-SOCKET,6X22		4	4		

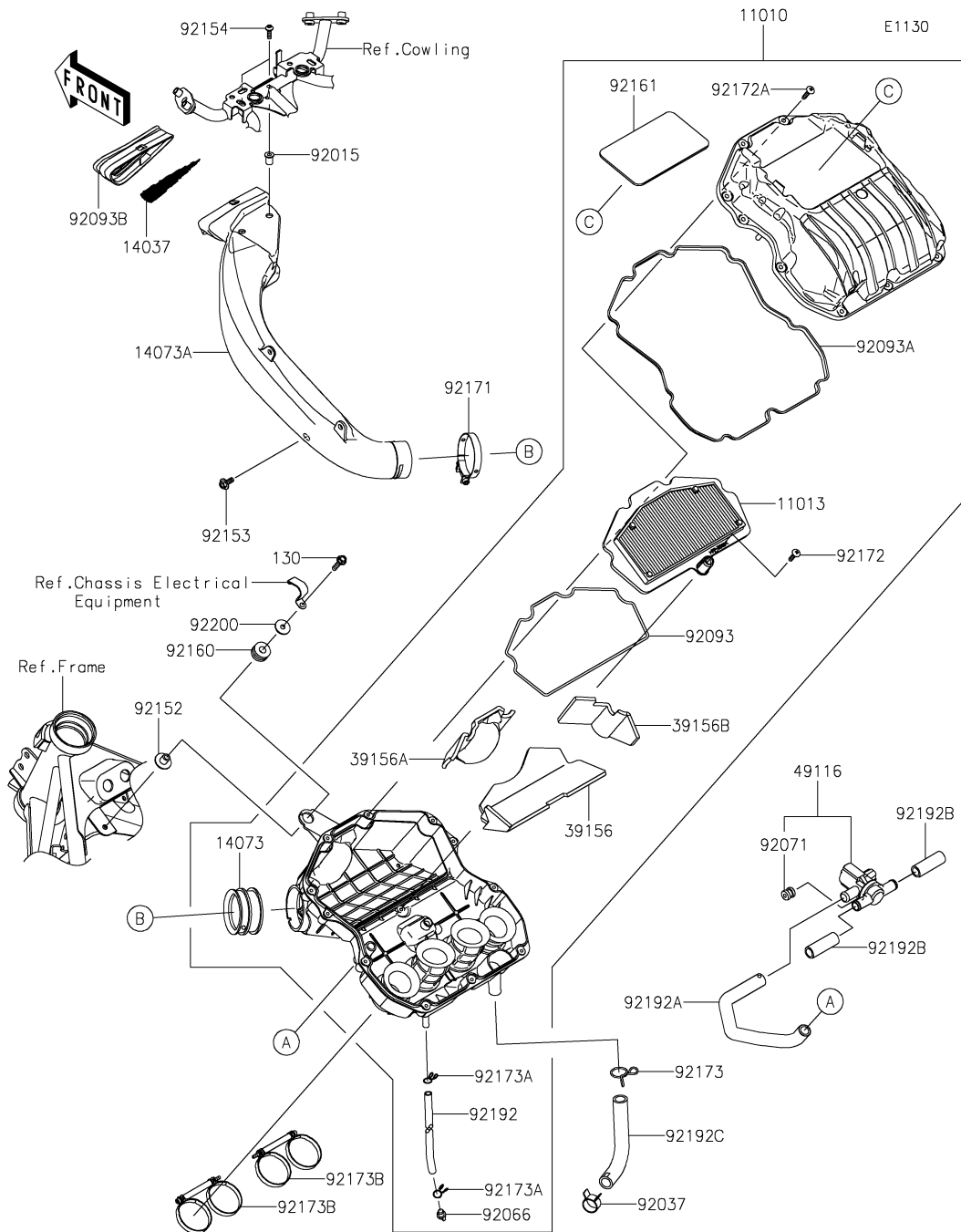
# '24-'25 ZX400 SRFNN/SSFAN

## 3. Cylinder/Piston(s)



Ref. No.	Part No.	Description	Spec Code	Quantity			
				'24	'25		
				SRFNN	SSFAN		
11005	11005-0732	CYLINDER-ENGINE		1	1		
11061	11061-1551	GASKET,CYLINDER BASE		1	1		
13001	13001-0842	PISTON-ENGINE		4	4		
13002	13002-0732	PIN-PISTON		4	4		
13008	13008-0605	RING-SET-PISTON		4	4		
92022	92022-304	WASHER,6.2X11X1		1	1		
92033	92033-1287	RING-SNAP		8	8		
92043	92043-1264	PIN,8.2X10X14		2	2		
130	130BD0610	BOLT-FLANGED,6X10		1	1		

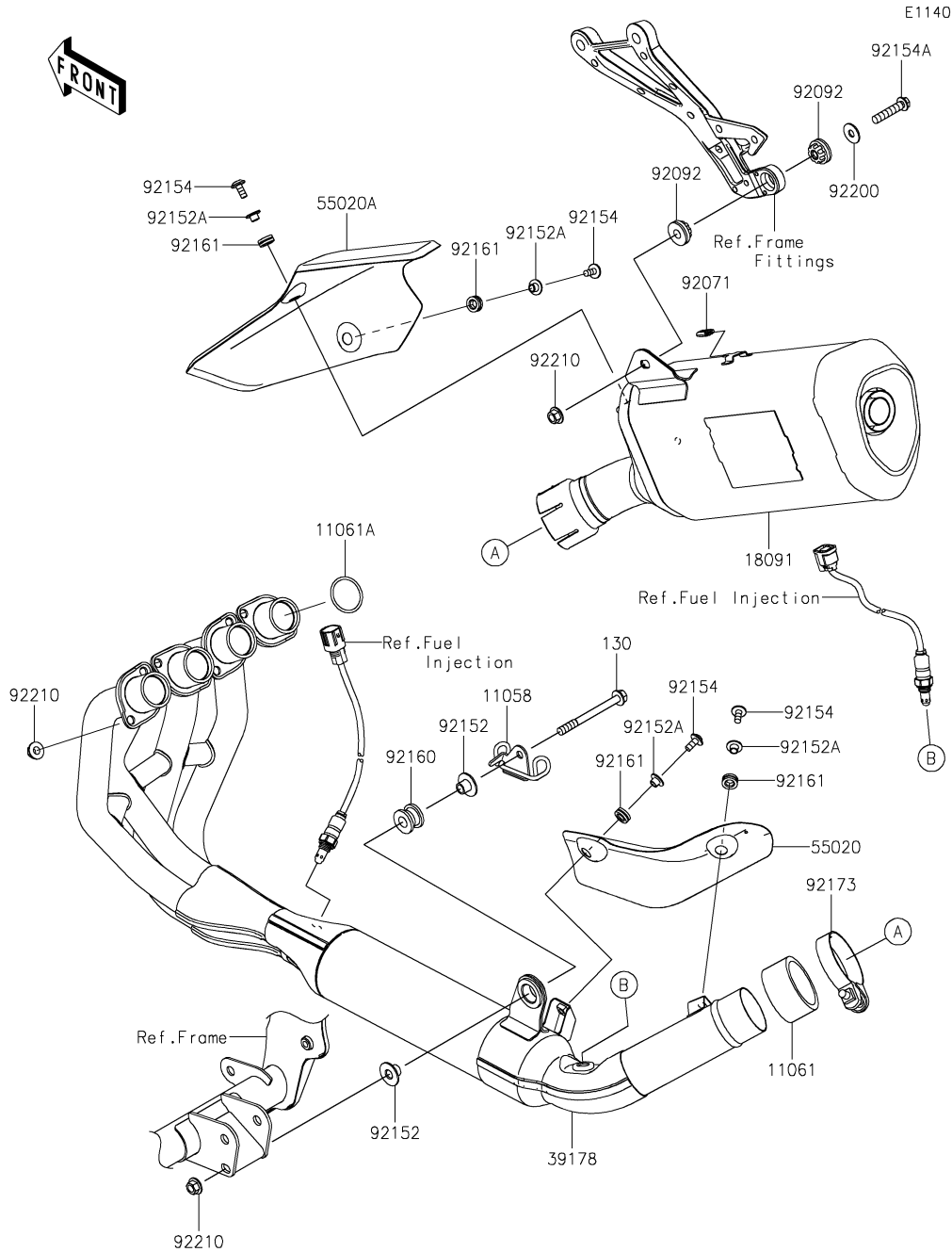
# '24-'25 ZX400 SRFNN/SSFAN



## 4. Air Cleaner

Ref. No.	Part No.	Description	Spec Code	Quantity			
				'24	'25		
				SRFNN	SSFAN		
11010	11010-1820	FILTER-ASSY-AIR		1	1		
11013	11013-0812	ELEMENT-AIR FILTER		1	1		
14037	14037-0830	SCREEN, RAM DUCT		1	1		
14073	14073-0952	DUCT, RAM AIR		1	1		
14073A	14073-1929	DUCT, RAM AIR		1	1		
39156	39156-2540	PAD		1	1		
39156A	39156-2541	PAD		1	1		
39156B	39156-2542	PAD		1	1		
49116	49116-0047	VALVE-ASSY, AIR CUT		1	1		
92015	92015-1757	NUT, WELL, 5MM		2	2		
92037	92037-1460	CLAMP, HOSE CLIP		1	1		
92066	92066-0782	PLUG, DRAIN		1	1		
92071	92071-0026	GROMMET		1	1		
92093	92093-0707	SEAL, ELEMENT		1	1		
92093A	92093-0739	SEAL		1	1		
92093B	92093-0740	SEAL, RAM DUCT		1	1		
92152	92152-0547	COLLAR, 6.5X10.5X13.1		1	1		
92153	92153-1587	BOLT, UPSET-WP, 6X16		1	1		
92154	92154-1701	BOLT, SOCKET, 5X16		2	2		
92160	92160-1162	DAMPER		1	1		
92161	92161-2440	DAMPER		1	1		
92171	92171-0677	CLAMP		1	1		
92172	92172-0483	SCREW, TAPPING, 5X20		1	1		
92172A	92172-0891	SCREW, 5X25		11	11		
92173	92173-0190	CLAMP, 20MM		1	1		
92173A	92173-2400	CLAMP, 10MM		2	2		
92173B	92173-2681	CLAMP		2	2		
92192	92192-2275	TUBE, 7X10X440		1	1		
92192A	92192-2603	TUBE, ASWV-A/C		1	1		
92192B	92192-2685	TUBE, ASWV-HEAD CAP		2	2		
92192C	92192-2695	TUBE, BREATHER		1	1		
92200	92200-1087	WASHER, 6.5X22X1.6		1	1		
130	130BB0625	BOLT-FLANGED, 6X25		1	1		

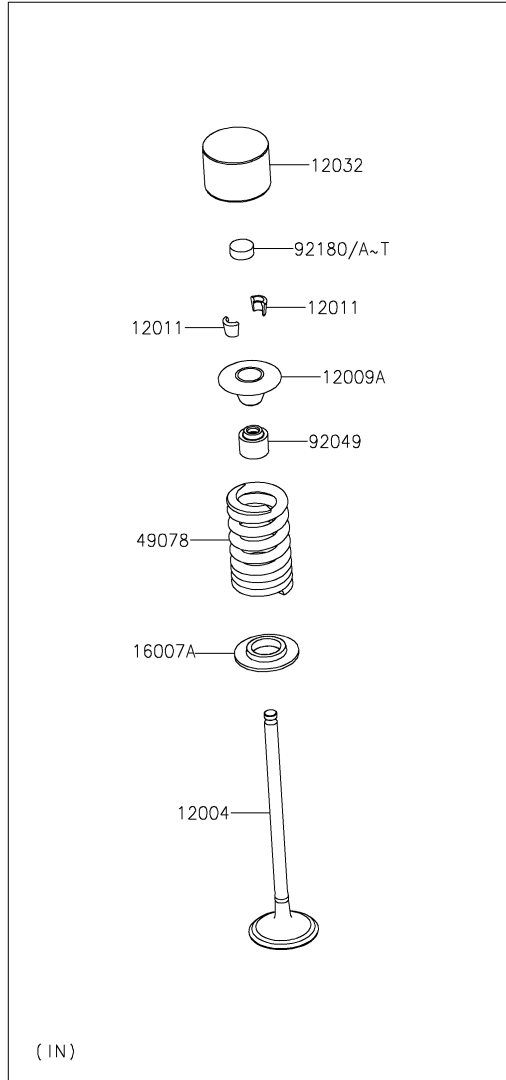
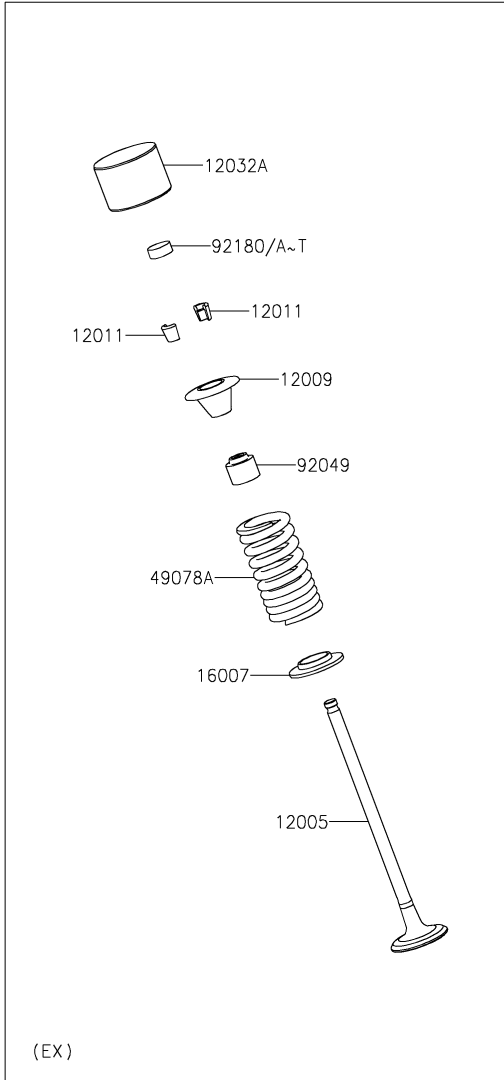
# '24-'25 ZX400 SRFNN/SSFAN



## 5. Muffler(s)

Ref. No.	Part No.	Description	Spec Code	Quantity			
				'24	'25		
				SRFNN	SSFAN		
11058	11058-0354	BRACKET,SENSOR		1	1		
11061	11061-0447	GASKET,50.8X62X30		1	1		
11061A	11061-1372	GASKET,MANIFOLD		4	4		
18091	18091-1253	BODY-COMP-MUFFLER		1	1		
39178	39178-0453	MANIFOLD-COMP-EXHAUST		1	1		
55020	55020-2391	GUARD,FR		1	1		
55020A	55020-2392	GUARD,RR		1	1		
92071	92071-0760	GROMMET		1	1		
92092	92092-0044	BUSHING-RUBBER		2	2		
92152	92152-2367	COLLAR		2	2		
92152A	92152-2850	COLLAR,6.3X8.3X16		4	4		
92154	92154-0907	BOLT,SOCKET,6X14		4	4		
92154A	92154-4399	BOLT,FLANGED,8X40		1	1		
92160	92160-1116	DAMPER,MUFFLER MOUNT		1	1		
92161	92161-1475	DAMPER		4	4		
92173	92173-2516	CLAMP		1	1		
92200	92200-0174	WASHER,8.0X22.0X1.5		1	1		
92210	92210-1312	NUT		10	10		
130	130CB0885	BOLT-FLANGED,8X85		1	1		

E1210



## 6. Valve(s)

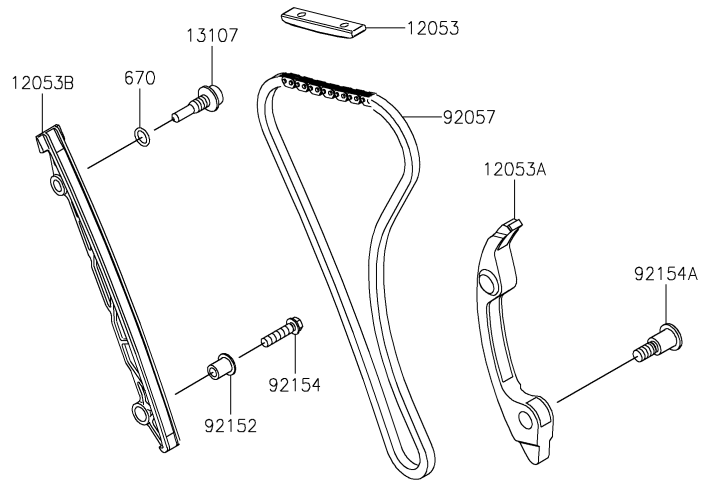
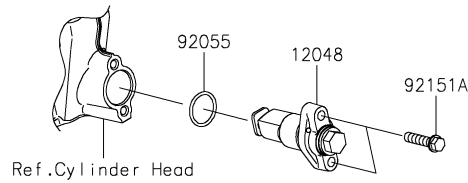
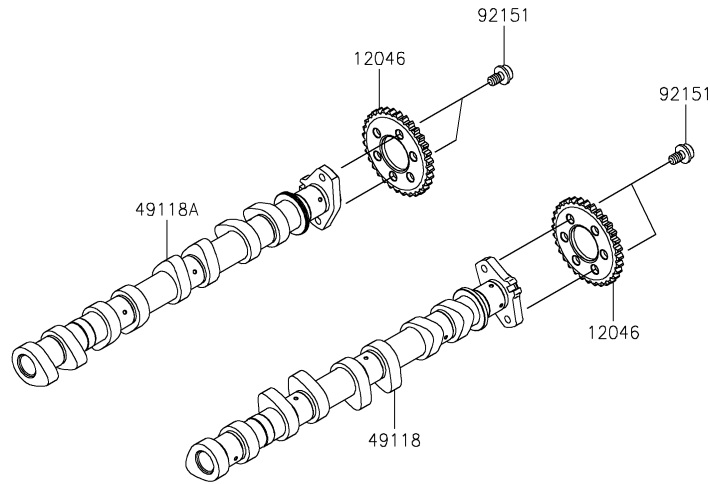
Ref. No.	Part No.	Description	Spec Code	Quantity			
				'24	'25		
				SRFNN	SSFAN		
12004	12004-0778	VALVE-INTAKE		8	8		
12005	12005-0802	VALVE-EXHAUST		8	8		
12009	12009-0048	RETAINER-VALVE SPRING		8	8		
12009A	12009-0719	RETAINER-VALVE SPRING		8	8		
12011	12011-1052	COLLET		32	32		
12032	12032-0037	TAPPET,INTAKE		8	8		
12032A	12032-0038	TAPPET,EXHAUST		8	8		
16007	16007-0762	SEAT-SPRING		8	8		
16007A	16007-0782	SEAT-SPRING		8	8		
49078	49078-0800	SPRING-ENGINE VALVE,INTAKE		8	8		
49078A	49078-0801	SPRING-ENGINE VALVE,EXHAUST		8	8		
92049	92049-1308	SEAL-OIL,VALVE GUIDE		16	16		
92180	92180-1014	SHIM,T=2.50		16	16		
92180A	92180-1016	SHIM,T=2.55		AR	AR		
92180B	92180-1018	SHIM,T=2.60		AR	AR		
92180C	92180-1020	SHIM,T=2.65		AR	AR		
92180D	92180-1022	SHIM,T=2.70		AR	AR		
92180E	92180-1024	SHIM,T=2.75		AR	AR		
92180F	92180-1026	SHIM,T=2.80		AR	AR		
92180G	92180-1028	SHIM,T=2.85		AR	AR		
92180H	92180-1030	SHIM,T=2.90		AR	AR		
92180I	92180-1032	SHIM,T=2.95		AR	AR		
92180J	92180-1034	SHIM,T=3.00		AR	AR		
92180K	92180-1036	SHIM,T=3.05		AR	AR		
92180L	92180-1038	SHIM,T=3.10		AR	AR		
92180M	92180-1040	SHIM,T=3.15		AR	AR		
92180N	92180-1042	SHIM,T=3.20		AR	AR		
92180O	92180-1044	SHIM,T=3.25		AR	AR		
92180P	92180-1046	SHIM,T=3.30		AR	AR		
92180Q	92180-1048	SHIM,T=3.35		AR	AR		
92180R	92180-1050	SHIM,T=3.40		AR	AR		
92180S	92180-1052	SHIM,T=3.45		AR	AR		
92180T	92180-1054	SHIM,T=3.50		AR	AR		

# '24-'25 ZX400 SRFNN/SSFAN

# 7. Camshaft(s)/Tensioner



E1230

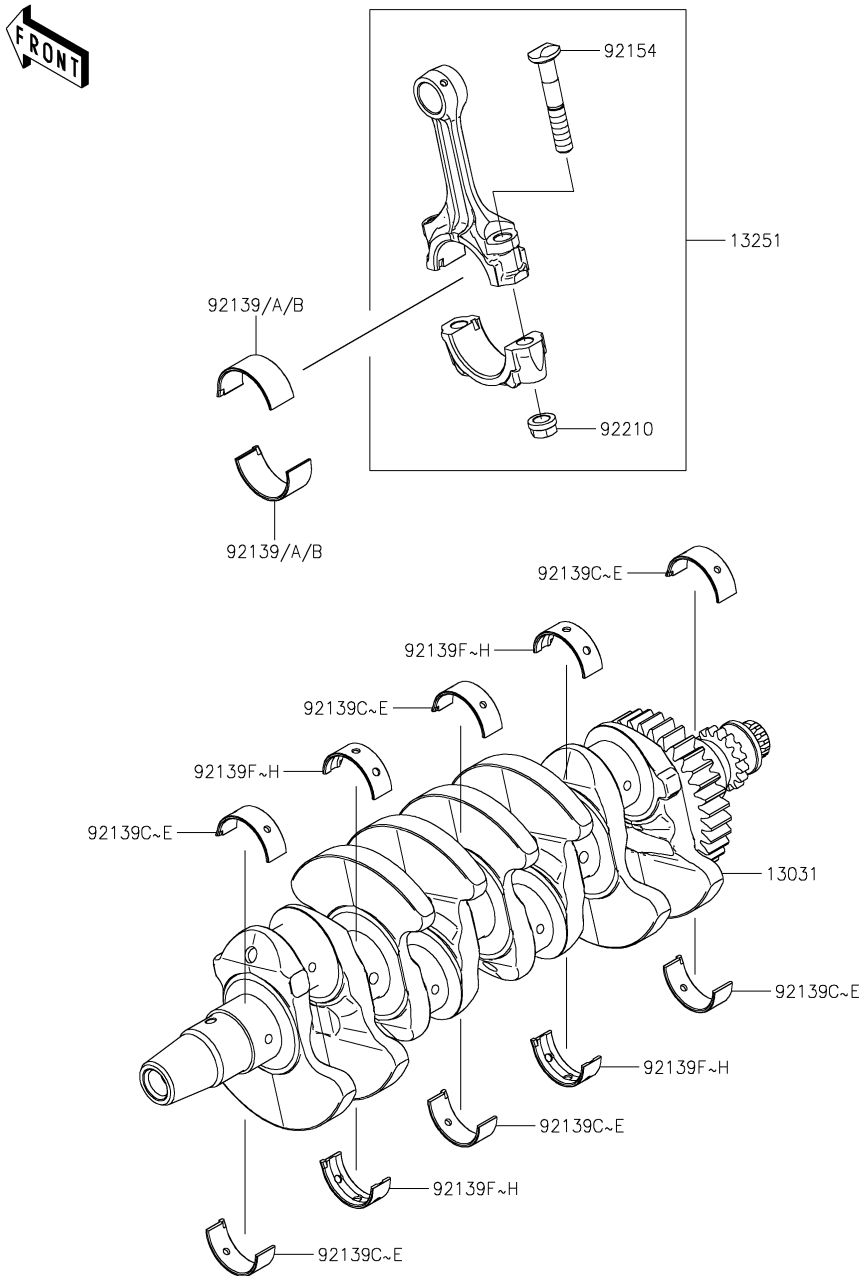


Ref. No.	Part No.	Description	Spec Code	Quantity			
				'24	'25		
				SRFNN	SSFAN		
12046	12046-0621	SPROCKET,32T		2	2		
12048	12048-0111	TENSIONER-ASSY		1	1		
12053	12053-0051	GUIDE-CHAIN,UPP		1	1		
12053A	12053-0325	GUIDE-CHAIN,RR		1	1		
12053B	12053-0330	GUIDE-CHAIN,FR		1	1		
13107	13107-0157	SHAFT,CHAIN GUIDE		1	1		
49118	49118-1289	CAMSHAFT-COMP,INTAKE		1	1		
49118A	49118-1290	CAMSHAFT-COMP,EXHAUST		1	1		
92055	92055-086	RING-O,18.8X1.9		1	1		
92057	92057-0782	CHAIN,CAM,98XRH2010-110M		1	1		
92151	92151-1829	BOLT,SOCKET,6X10		4	4		
92151A	92151-1930	BOLT,FLANGED-SMALL,6X25		2	2		
92152	92152-0413	COLLAR		1	1		
92154	92154-0520	BOLT,FLANGED,6X25		1	1		
92154A	92154-0953	BOLT,SOCKET,8X29.2		1	1		
670	670D1509	O RING,9MM		1	1		

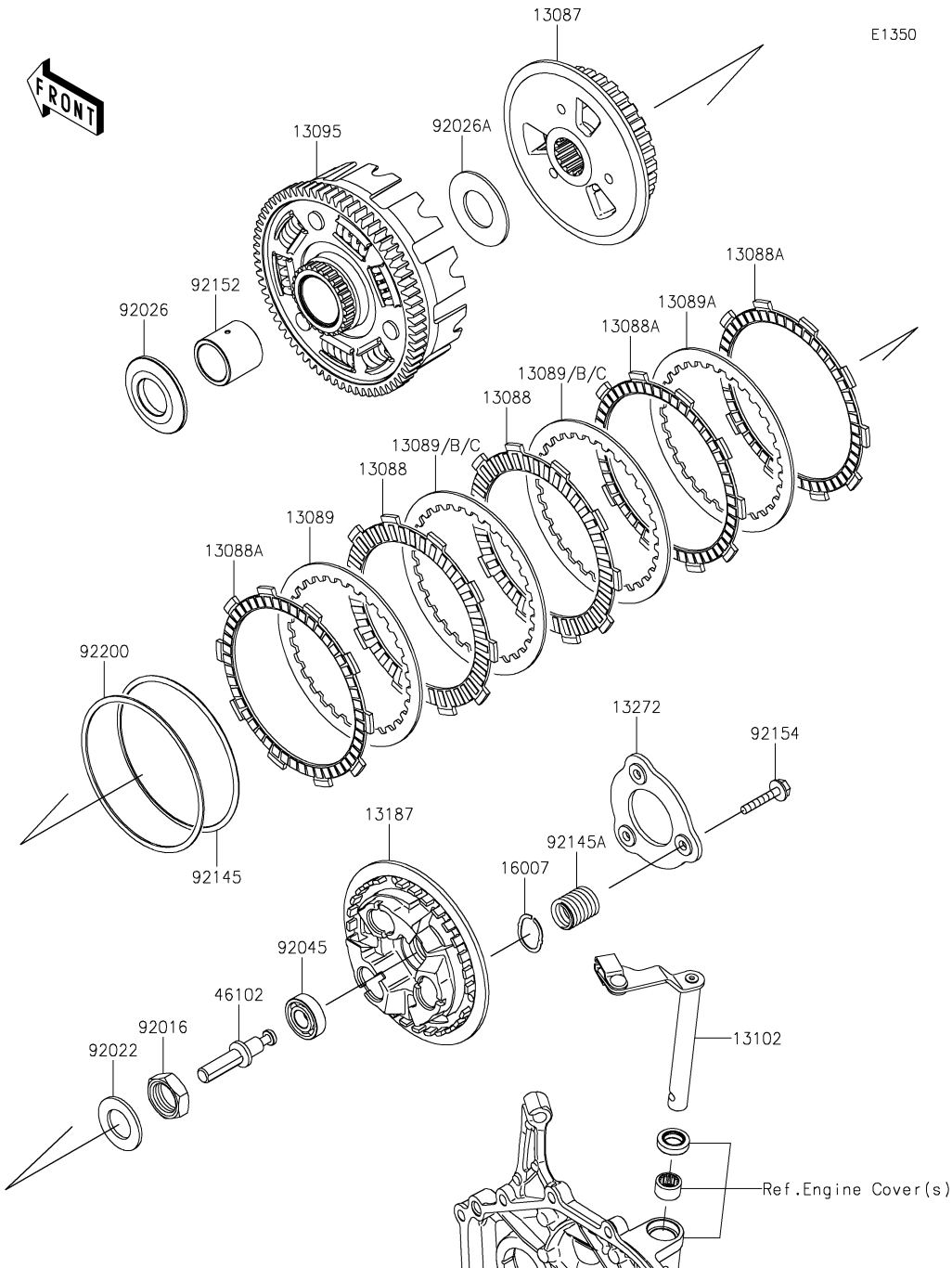
# '24-'25 ZX400 SRFNN/SSFAN

# 8. Crankshaft

E1321



Ref. No.	Part No.	Description	Spec Code	Quantity			
				'24	'25		
				SRFNN	SSFAN		
13031	13031-1532	CRANKSHAFT-COMP		1	1		
13251	13251-0748-HH	ROD-ASSY-CONNECTING,H		4	4		
92139	92139-1179	BUSHING,CRANK PIN,BLUE		AR	AR		
92139A	92139-1180	BUSHING,CRANK PIN,BLACK		8	8		
92139B	92139-1181	BUSHING,CRANK PIN,BROWN		AR	AR		
92139C	92139-1182	BUSHING,#1&#3&#5,BLUE		AR	AR		
92139D	92139-1183	BUSHING,#1&#3&#5,BLACK		6	6		
92139E	92139-1184	BUSHING,#1&#3&#5,BROWN		AR	AR		
92139F	92139-1185	BUSHING,#2&#4,BLUE		AR	AR		
92139G	92139-1186	BUSHING,#2&#4,BLACK		4	4		
92139H	92139-1187	BUSHING,#2&#4,BROWN		AR	AR		
92154	92154-7075	BOLT,7MM		8	8		
92210	92210-0384	NUT,CONNECTING ROD,7MM		8	8		

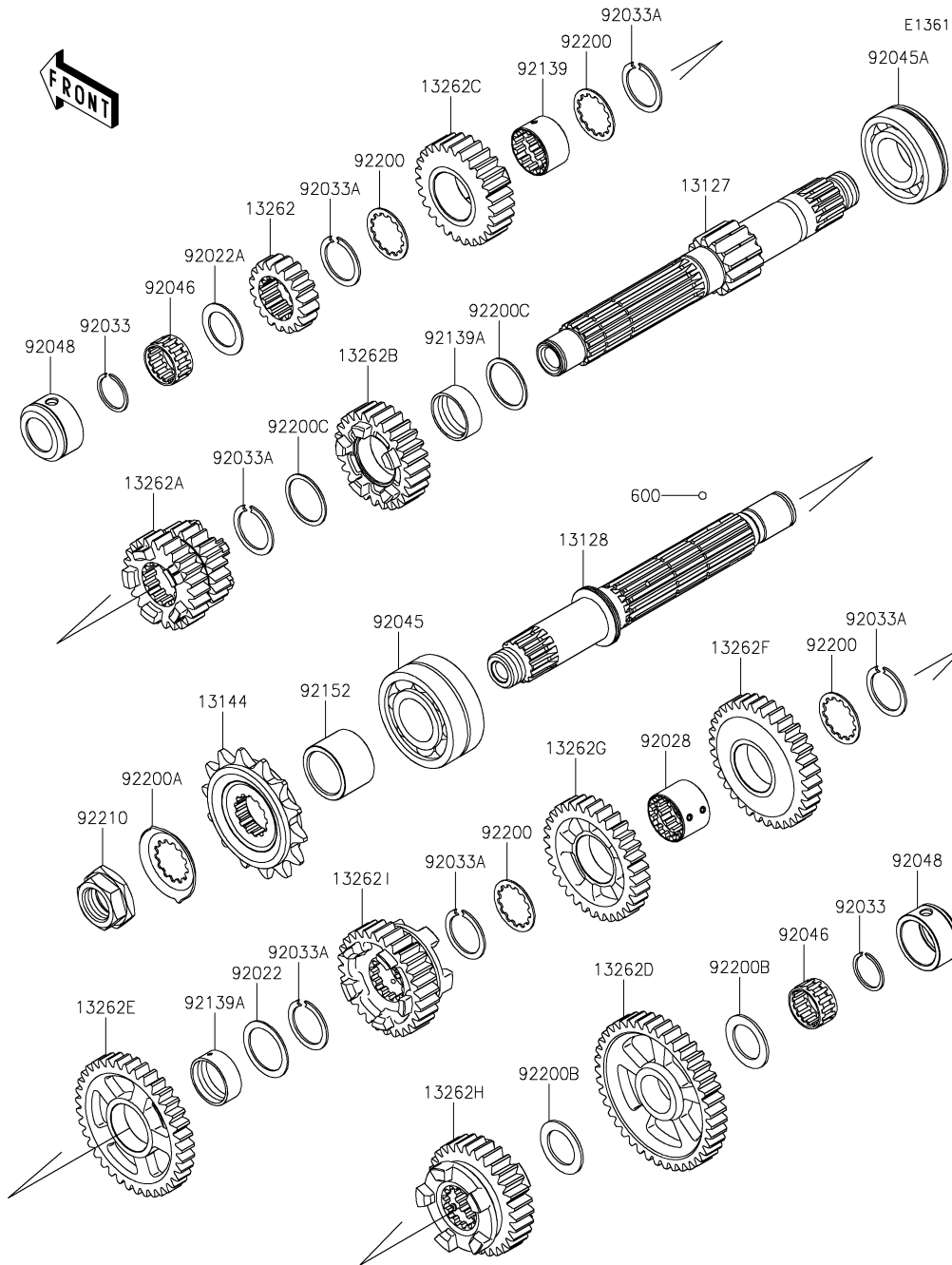


## 9. Clutch

Ref. No.	Part No.	Description	Spec Code	Quantity			
				'24	'25		
				SRFNN	SSFAN		
13087	13087-0594	HUB-CLUTCH		1	1		
13088	13088-0592	PLATE-FRICTION		2	2		
13088A	13088-0630	PLATE-FRICTION		3	3		
13089	13089-0041	PLATE-CLUTCH,T=2.0		3	3		
13089A	13089-0042	PLATE-CLUTCH,T=2.0		1	1		
13089B	13089-0043	PLATE-CLUTCH,T=1.6	AR	AR			
13089C	13089-0044	PLATE-CLUTCH,T=2.3	AR	AR			
13095	13095-0617	HOUSING-COMP-CLUTCH		1	1		
13102	13102-0080	RELEASE-COMP-CLUTCH		1	1		
13187	13187-0033	PLATE-CLUTCH OPERATING		1	1		
13272	13272-2414	PLATE		1	1		
16007	16007-0711	SEAT-SPRING		3	3		
46102	46102-0686	ROD		1	1		
92016	92016-028	NUT,20MM		1	1		
92022	92022-1116	WASHER,20.3X36X2.3		1	1		
92026	92026-0115	SPACER,25X52X5.5		1	1		
92026A	92026-0873	SPACER,25.5X50.5X2		1	1		
92045	92045-0937	BEARING-BALL		1	1		
92145	92145-1901	SPRING		1	1		
92145A	92145-2273	SPRING		3	3		
92152	92152-2524	COLLAR,25X32X29.1		1	1		
92154	92154-0997	BOLT,UPSET,6X30		3	3		
92200	92200-1987	WASHER,99.4X107X1.2		1	1		



# '24-'25 ZX400 SRFNN/SSFAN

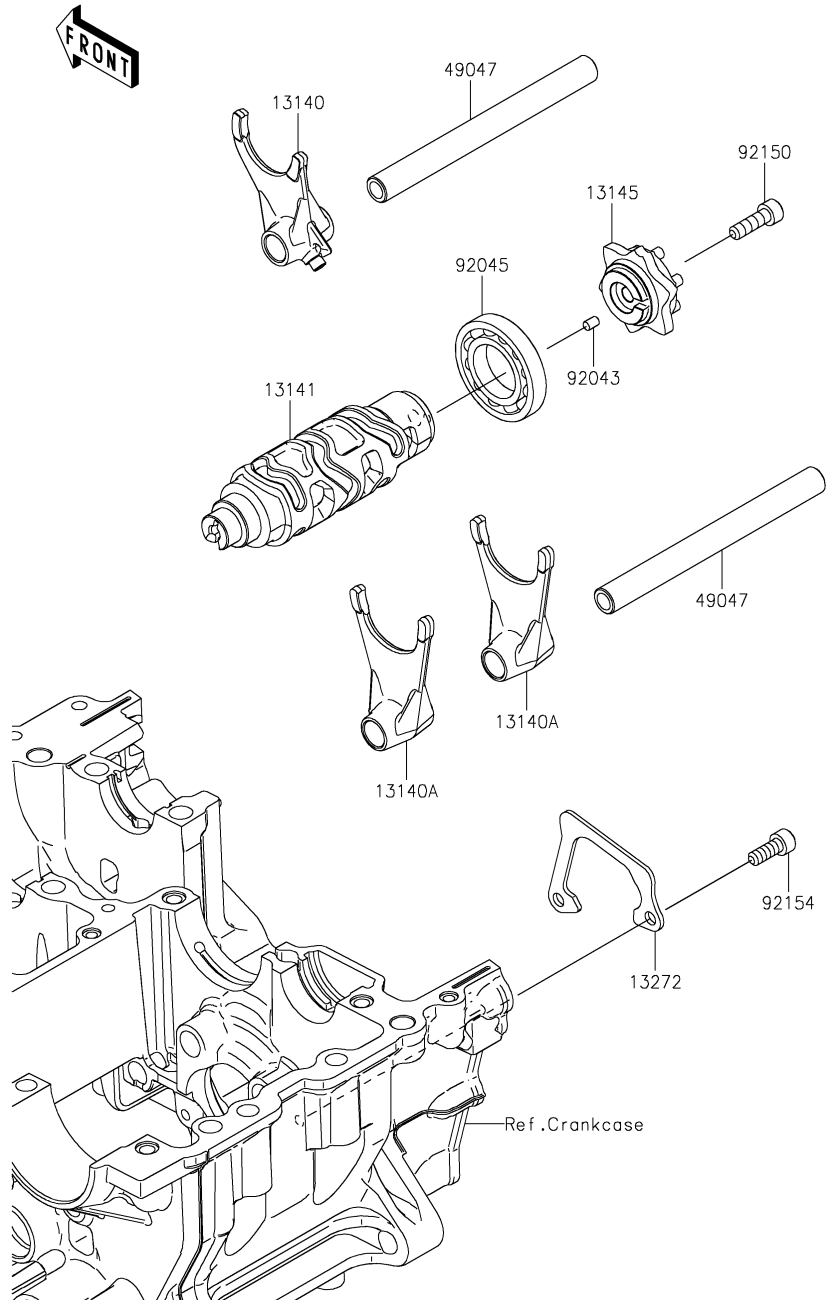


## 10. Transmission

Ref. No.	Part No.	Description	Spec Code	Quantity			
				'24	'25		
				SRFNN	SSFAN		
13127	13127-0727	SHAFT-TRANSMISSION INPUT,13T	1	1			
13128	13128-0736	SHAFT-TRANSMISSION OUTPUT	1	1			
13144	13144-0577	SPROCKET-OUTPUT,14T	1	1			
13262	13262-1288	GEAR,INPUT 2ND,18T	1	1			
13262A	13262-1289	GEAR,INPUT 3RD&4TH,21T,24T	1	1			
13262B	13262-1290	GEAR,INPUT 5TH,26T	1	1			
13262C	13262-1291	GEAR,INPUT 6TH,27T	1	1			
13262D	13262-1292	GEAR,OUTPUT LOW,41T	1	1			
13262E	13262-1293	GEAR,OUTPUT 2ND,37T	1	1			
13262F	13262-1294	GEAR,OUTPUT 3RD,34T	1	1			
13262G	13262-1295	GEAR,OUTPUT 4TH,32T	1	1			
13262H	13262-1296	GEAR,OUTPUT 5TH,30T	1	1			
13262I	13262-1297	GEAR,OUTPUT 6TH,28T	1	1			
92022	92022-1109	WASHER,25.3X33X1	1	1			
92022A	92022-112	WASHER,20.5X30X1,STEEL	1	1			
92028	92028-1858	BUSHING,OUTPUT 3RD&4TH GEAR	1	1			
92033	92033-015	RING-SNAP,20MM	2	2			
92033A	92033-026	RING-SNAP,24MM	6	6			
92045	92045-0003	BEARING-BALL,DAC2557NSSH	1	1			
92045A	92045-0735	BEARING-BALL,6TM-6205NX3	1	1			
92046	92046-1185	BEARING-NEEDLE,KMJ20X26X13.8X1	2	2			
92048	92048-0047	RACE	2	2			
92139	92139-0781	BUSHING,26X28X16.6	1	1			
92139A	92139-0793	BUSHING,25X28X10.4	2	2			
92152	92152-3770	COLLAR	1	1			
92200	92200-1389	WASHER	4	4			
92200A	92200-1932	WASHER	1	1			
92200B	92200-2523	WASHER,20.5X31X1.5	2	2			
92200C	92200-2524	WASHER,25.3X30X1	2	2			
92210	92210-0850	NUT,20MM	1	1			
600	600A0500	BALL-STEEL,5/32	3	3			

# '24-'25 ZX400 SRFNN/SSFAN

E1362

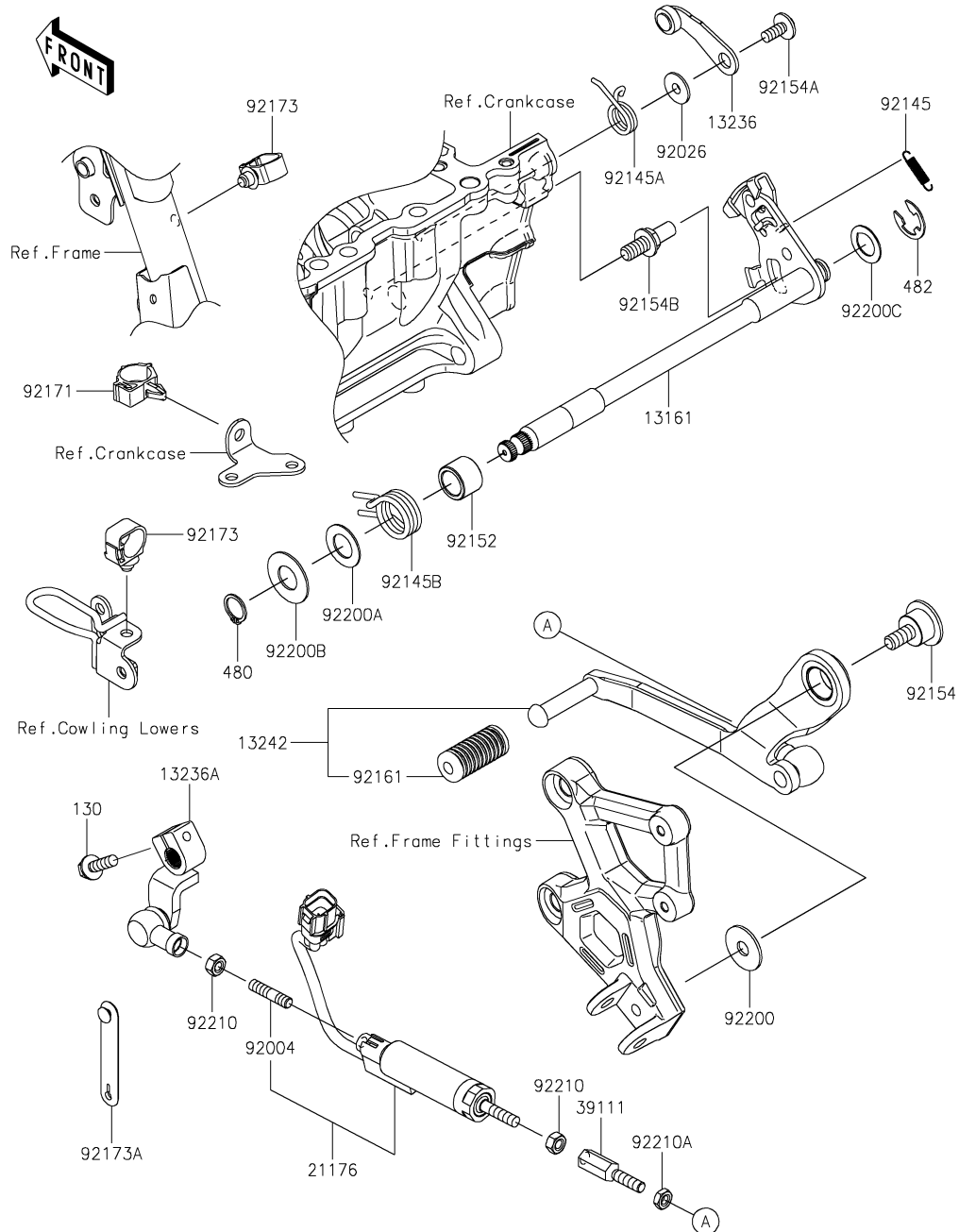


## 11. Gear Change Drum/Shift Fork(s)

Ref. No.	Part No.	Description	Spec Code	Quantity			
				'24	'25		
				SRFNN	SSFAN		
13140	13140-0662	FORK-SHIFT,IN		1	1		
13140A	13140-0663	FORK-SHIFT,OUT		2	2		
13141	13141-0597	DRUM-CHANGE		1	1		
13145	13145-0576	CAM-CHANGE DRUM		1	1		
13272	13272-2374	PLATE		1	1		
49047	49047-0634	ROD-SHIFT		2	2		
92043	92043-1744	PIN,4X6		1	1		
92045	92045-0972	BEARING-BALL,16005		1	1		
92150	92150-1880	BOLT,SOCKET,6X20		1	1		
92154	92154-0235	BOLT,SOCKET,6X16		2	2		

# '24-'25 ZX400 SRFNN/SSFAN

E1370



## 12. Gear Change Mechanism

Ref. No.	Part No.	Description	Spec Code	Quantity			
				'24	'25		
				SRFNN	SSFAN		
13161	13161-0609	LEVER-COMP-CHANGE SHAFT	1	1			
13236	13236-0794	LEVER-COMP, POSITION	1	1			
13236A	13236-0858	LEVER-COMP	1	1			
13242	13242-0173	LEVER-ASSY-CHANGE	1	1			
21176	21176-0992	SENSOR, QUICK SHIFTER	1	1			
39111	39111-0382	ROD-TIE	1	1			
92004	92004-0793	STUD, 6X20	1	1			
92026	92026-1217	SPACER	1	1			
92145	92145-1813	SPRING, PAWL RETURN	1	1			
92145A	92145-1814	SPRING, DRUM POSITION	1	1			
92145B	92145-1958	SPRING, RETURN	1	1			
92152	92152-2370	COLLAR, 14.2X19.9X14.3	1	1			
92154	92154-1884	BOLT	1	1			
92154A	92154-2731	BOLT, SOCKET, 6X14	1	1			
92154B	92154-4400	BOLT, RETURN SPRING	1	1			
92161	92161-1466	DAMPER, CHANGE PEDAL	1	1			
92171	92171-0316	CLAMP, BRAKE HOSE	1	1			
92173	92173-0868	CLAMP, HOLDER CLIP	2	2			
92173A	92173-2199	CLAMP	1	1			
92200	92200-1446	WASHER	1	1			
92200A	92200-1933	WASHER, 14.2X25X1	1	1			
92200B	92200-2295	WASHER, 14.3X30X1.2	1	1			
92200C	92200-2559	WASHER, CHANGE SHAFT	1	1			
92210	92210-1596	NUT, 6MM	2	2			
92210A	92210-1597	NUT, LEFT HANDED, 6MM	1	1			
130	130CB0620	BOLT-FLANGED, 6X20	1	1			
480	480J1400	CIRCLIP-TYPE-C, 14MM	1	1			
482	482J0200	CIRCLIP-TYPE-E, 12MM	1	1			



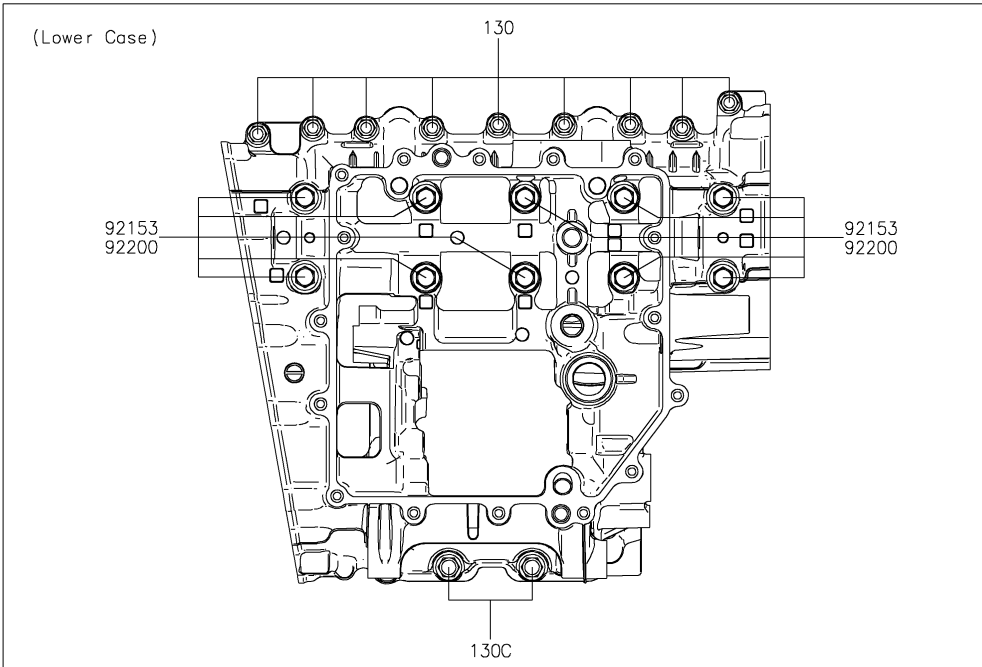
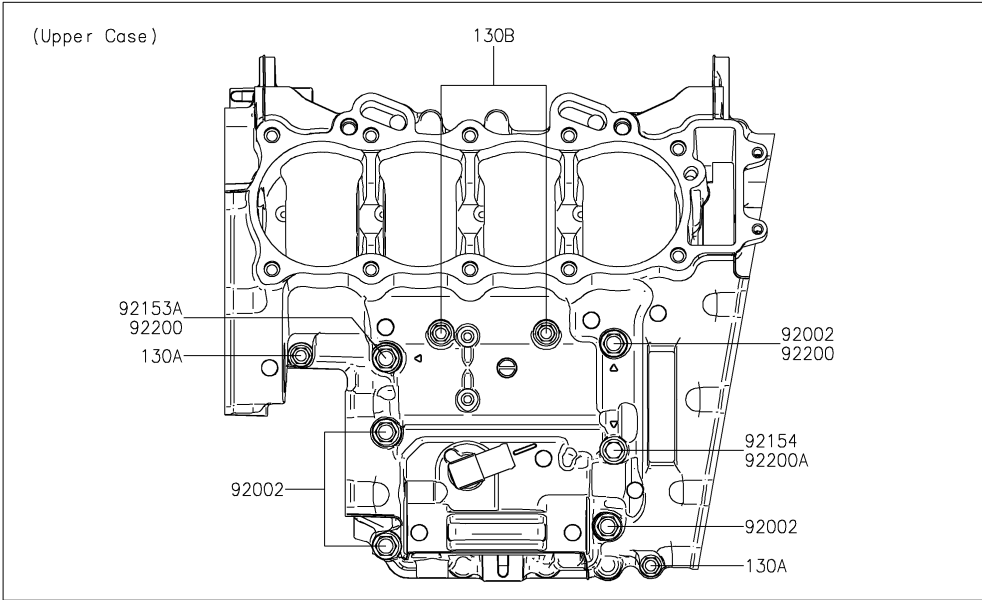
# '24-'25 ZX400 SRFNN/SSFAN

E1412

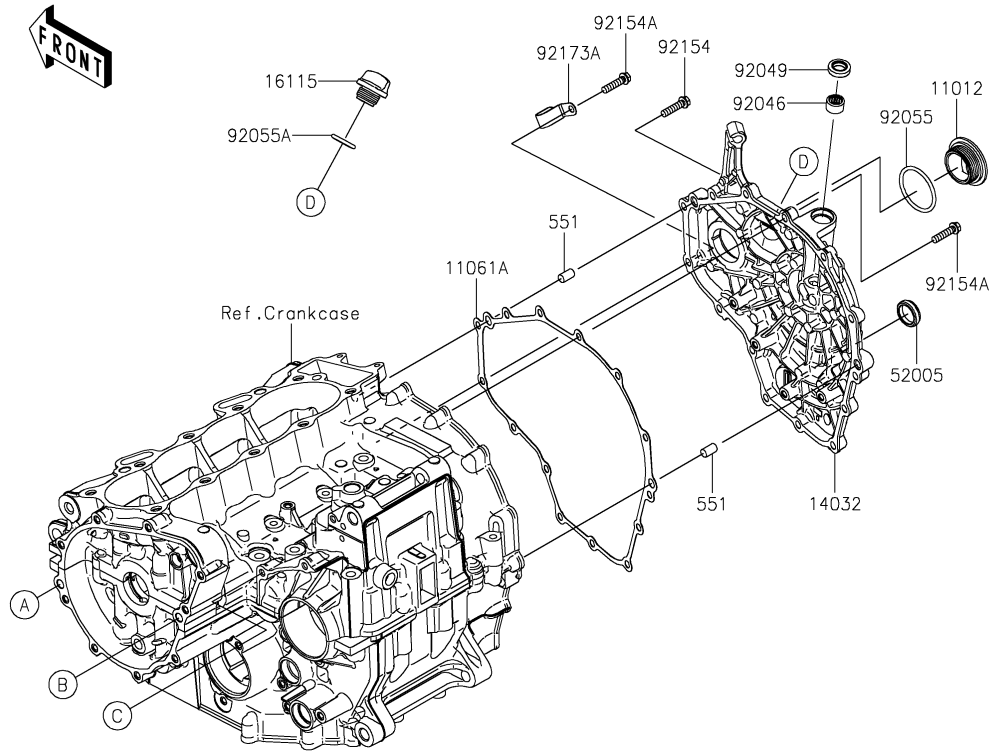
## 14. Crankcase Bolt Pattern

Ref. No.	Part No.	Description	Spec Code	Quantity			
				'24	'25		
				SRFNN	SSFAN		

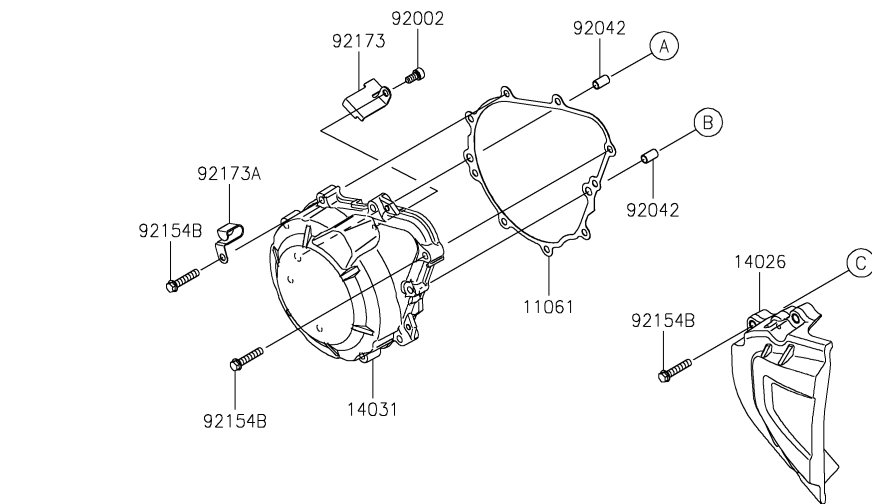
92002	92002-1649	BOLT,8X80		4	4		
92153	92153-1631	BOLT,FLANGED,8X95		10	10		
92153A	92153-7073	BOLT,8X50		1	1		
92154	92154-4150	BOLT,7X80		1	1		
92200	92200-0273	WASHER,HEAD		12	12		
92200A	92200-0556	WASHER		1	1		
130	130CA0630	BOLT-FLANGED,6X30		9	9		
130A	130CA0640	BOLT-FLANGED,6X40		2	2		
130B	130CA0655	BOLT-FLANGED,6X55		2	2		
130C	130CA0855	BOLT-FLANGED,8X55		2	2		



# '24-'25 ZX400 SRFNN/SSFAN



E1431

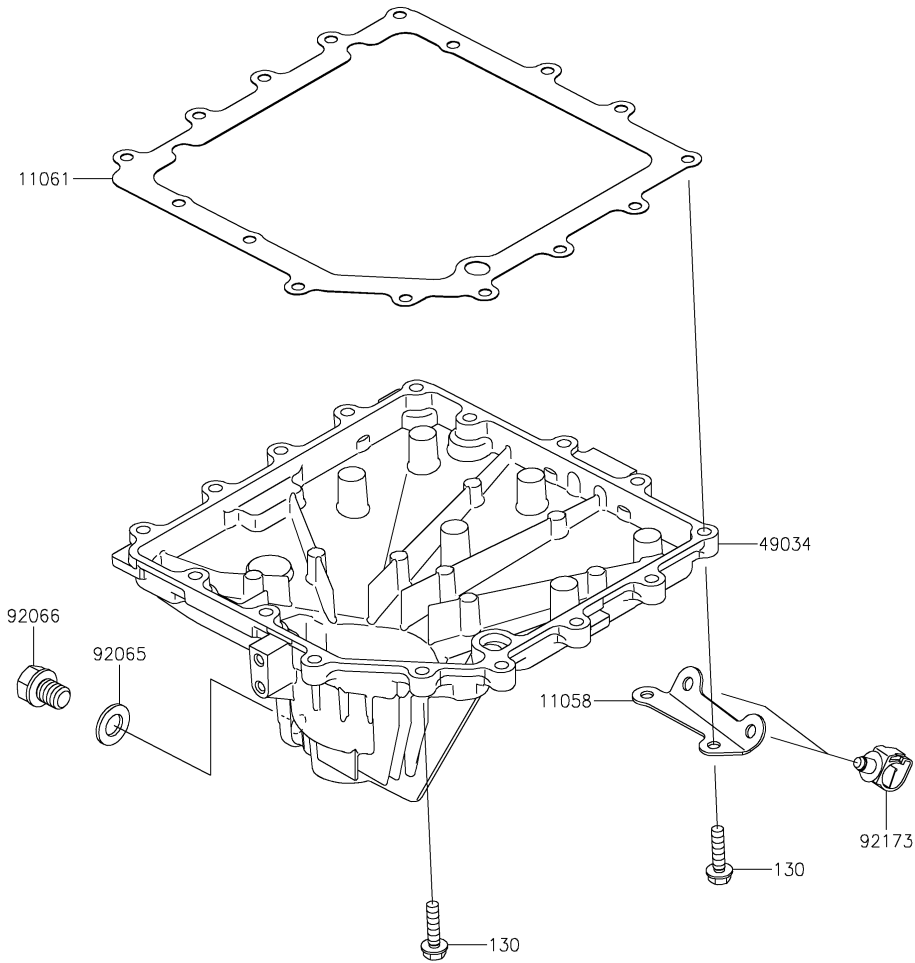


## 15. Engine Cover(s)

Ref. No.	Part No.	Description	Spec Code	Quantity			
				'24	'25		
				SRFNN	SSFAN		
11012	11012-1362	CAP	1	1			
11061	11061-1326	GASKET,GENERATOR COVER	1	1			
11061A	11061-1327	GASKET,CLUTCH COVER	1	1			
14026	14026-0158	COVER-CHAIN	1	1			
14031	14031-0637	COVER-GENERATOR	1	1			
14032	14032-0661	COVER-CLUTCH	1	1			
16115	16115-1053	CAP-OIL FILLER	1	1			
52005	52005-1009	GAUGE,OIL LEVEL	1	1			
92002	92002-1796	BOLT,SOCKET,6X12	1	1			
92042	92042-007	PIN,DOWEL,6.3X8X14	2	2			
92046	92046-0034	BEARING-NEEDLE,HK1210FM	1	1			
92049	92049-1560	SEAL-OIL	1	1			
92055	92055-0734	RING-O,39.4X3.1	1	1			
92055A	92055-1777	RING-O	1	1			
92154	92154-2734	BOLT,FLANGED,6X25	1	1			
92154A	92154-7030	BOLT,FLANGED,6X25	13	13			
92154B	92154-7032	BOLT,FLANGED,6X30	12	12			
92173	92173-2112	CLAMP	1	1			
92173A	92173-2588	CLAMP	2	2			
551	551A0814	PIN-DOWEL,8X14	2	2			

# '24-'25 ZX400 SRFNN/SSFAN

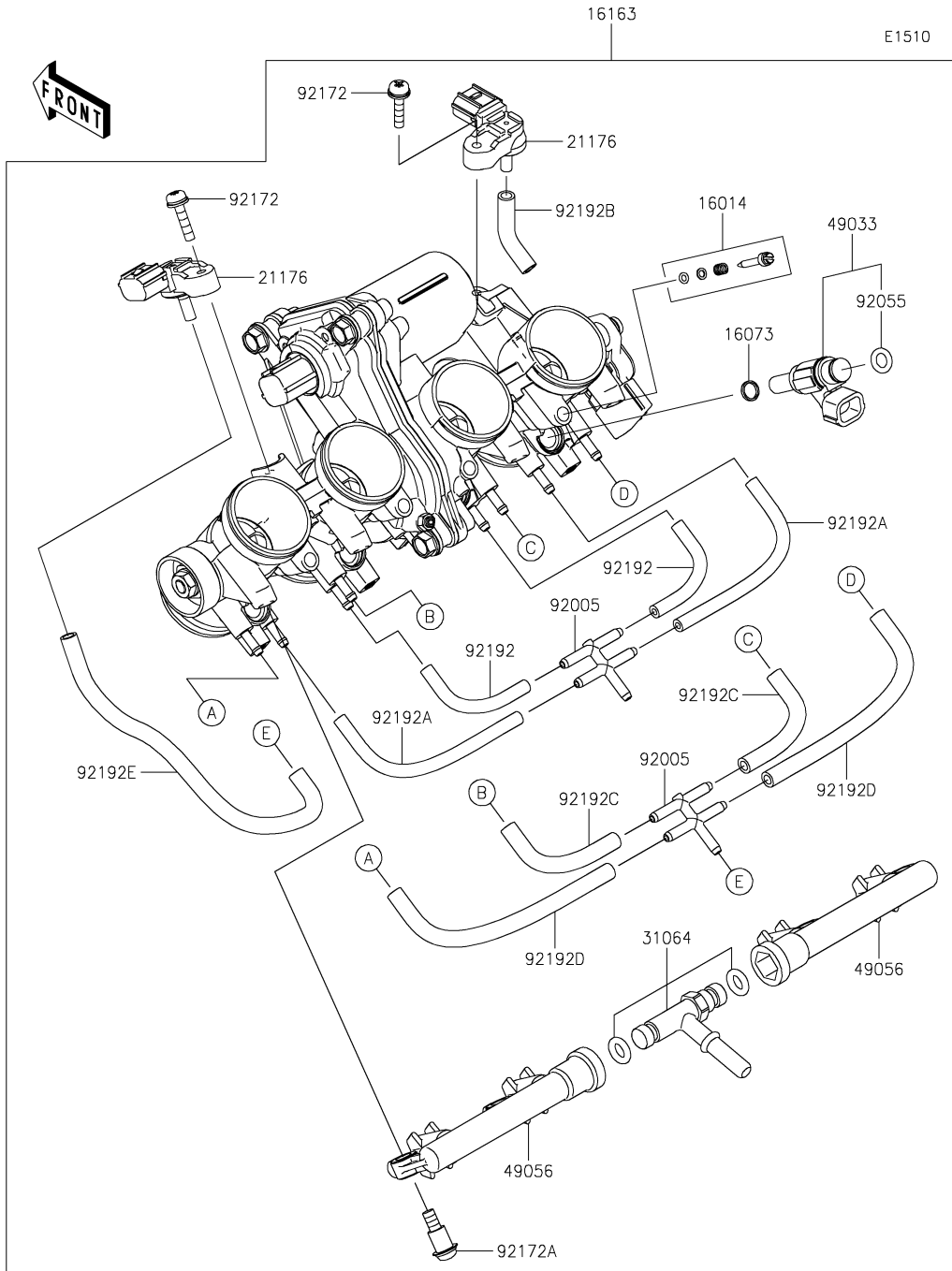
E1434



## 16. Oil Pan

Ref. No.	Part No.	Description	Spec Code	Quantity			
				'24	'25		
				SRFNN	SSFAN		
11058	11058-1262	BRACKET,SENSOR		1	1		
11061	11061-1328	GASKET,OIL PAN		1	1		
49034	49034-0575	PAN-OIL		1	1		
92065	92065-097	GASKET,12X22X2		1	1		
92066	92066-1174	PLUG,OIL DRAIN,12X15		1	1		
92173	92173-0736	CLAMP,12MM DIA.		2	2		
130	130BA0625	BOLT-FLANGED,6X25		16	16		

# '24-'25 ZX400 SRFNN/SSFAN



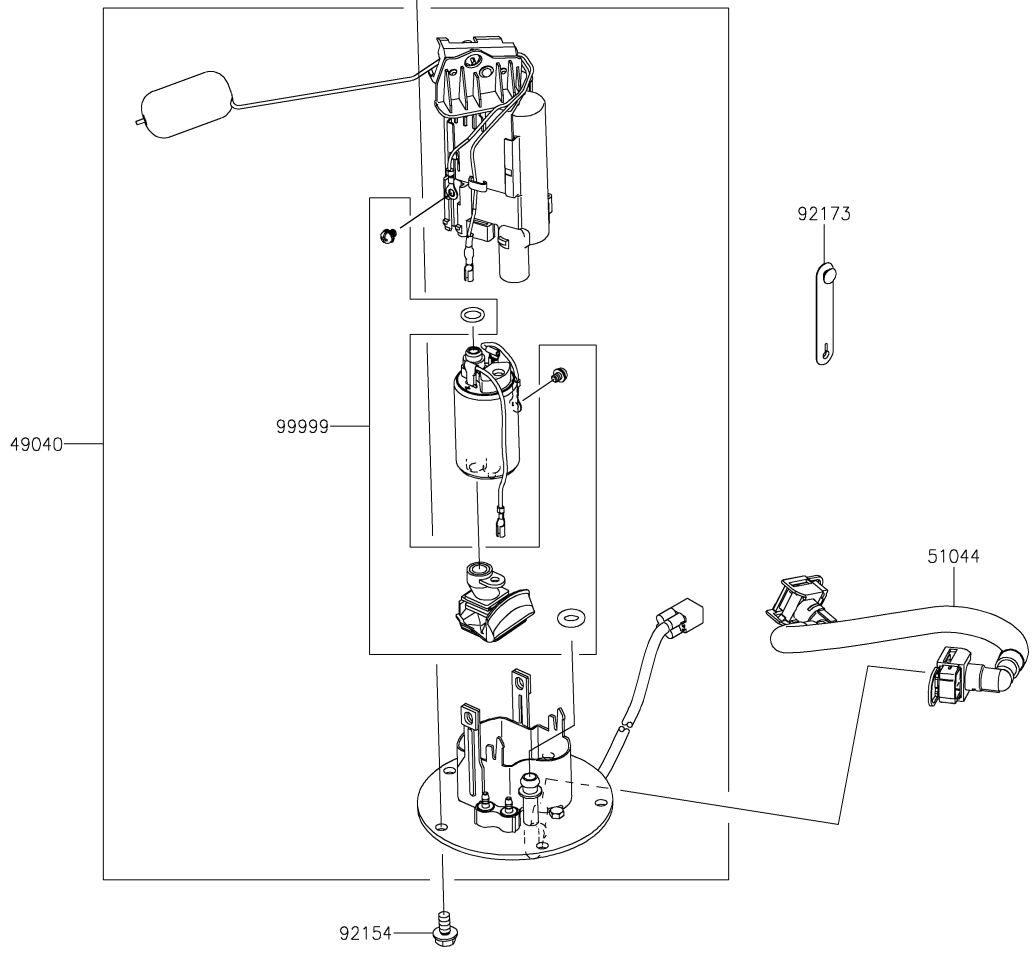
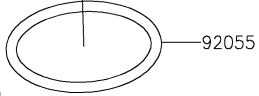
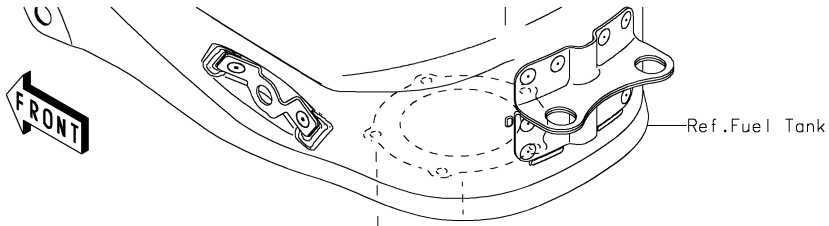
## 17. Throttle

Ref. No.	Part No.	Description	Spec Code	Quantity			
				'24	'25		
				SRFNN	SSFAN		
16014	16014-0023	SCREW-PILOT AIR	4	4			
16073	16073-0884	INSULATOR	4	4			
16163	16163-1304	THROTTLE-ASSY	1	1			
21176	21176-0906	SENSOR,PRESSURE	2	2			
31064	31064-0730	PIPE-COMP	1	1			
49033	49033-0584	NOZZLE-INJECTION	4	4			
49056	49056-0565	PIPE-INJECTION	2	2			
92005	92005-0989	FITTING	2	2			
92055	92055-0124	RING-O,INJECTION NOZZLE	4	4			
92172	92172-1383	SCREW	2	2			
92172A	92172-1384	SCREW	4	4			
92192	92192-2355	TUBE	2	2			
92192A	92192-2356	TUBE	2	2			
92192B	92192-2357	TUBE	1	1			
92192C	92192-2358	TUBE	2	2			
92192D	92192-2359	TUBE	2	2			
92192E	92192-2360	TUBE	1	1			



# '24-'25 ZX400 SRFNN/SSFAN

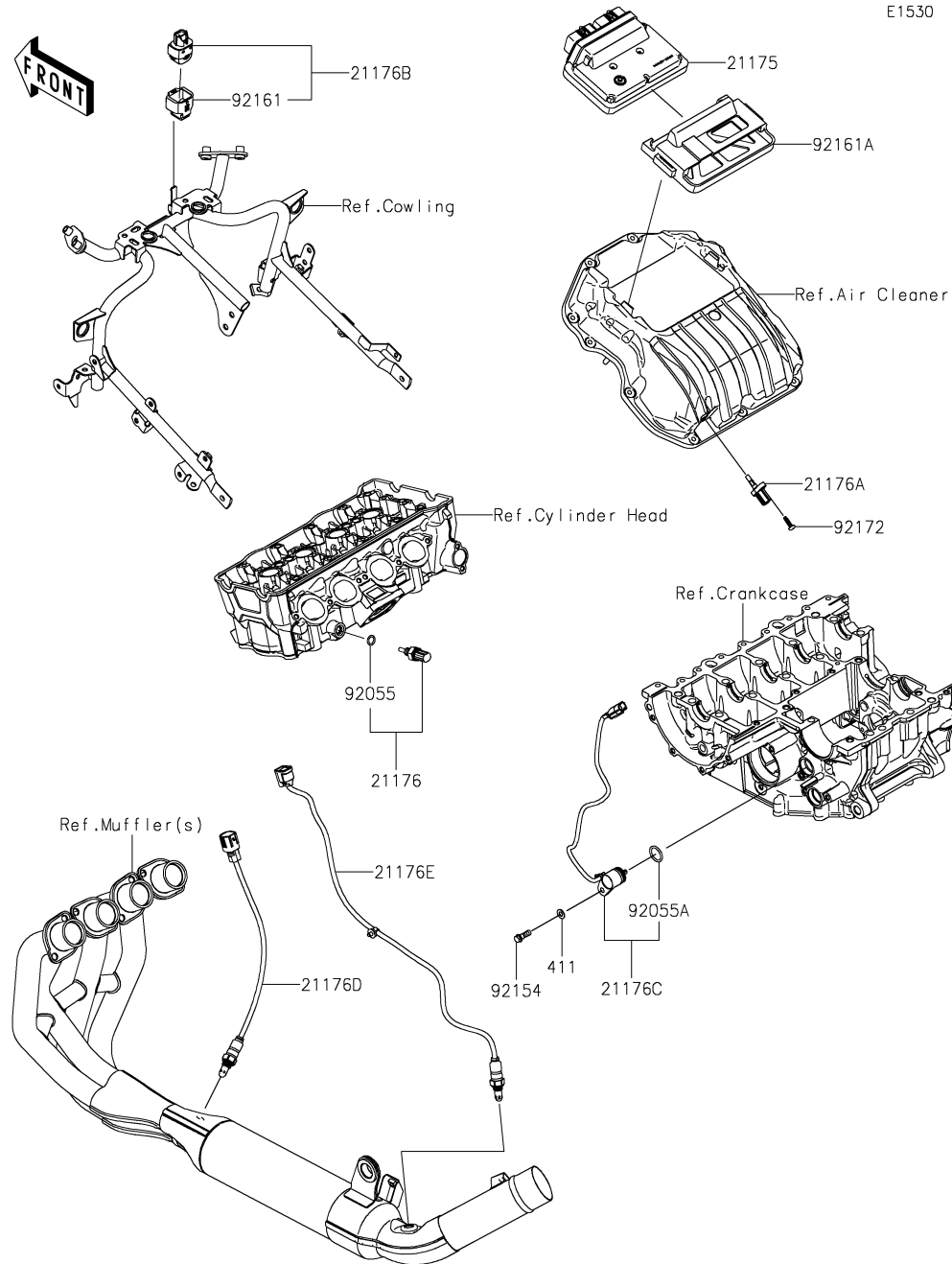
E1520



## 18. Fuel Pump

Ref. No.	Part No.	Description	Spec Code	Quantity			
				'24	'25		
				SRFNN	SSFAN		
49040	49040-0788	PUMP-FUEL		1	1		
51044	51044-1242	TUBE-ASSY		1	1		
92055	92055-0728	RING-O,74.6X5.7		1	1		
92154	92154-2335	BOLT,FLANGED,6X12		5	5		
92173	92173-2199	CLAMP		1	1		
99999	99999-0525	KIT,FUEL FILTER		1	1		

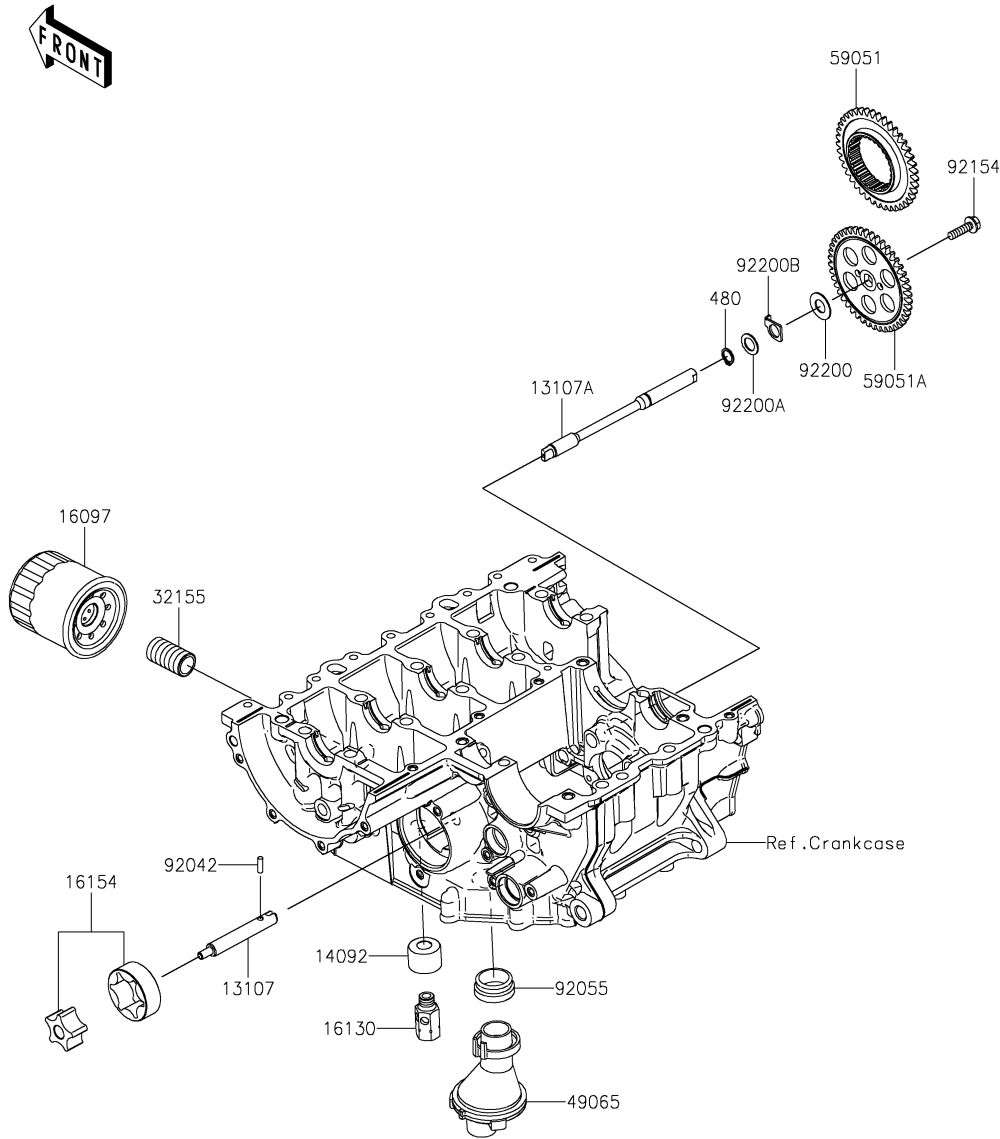
# '24-'25 ZX400 SRFNN/SSFAN



## 19. Fuel Injection

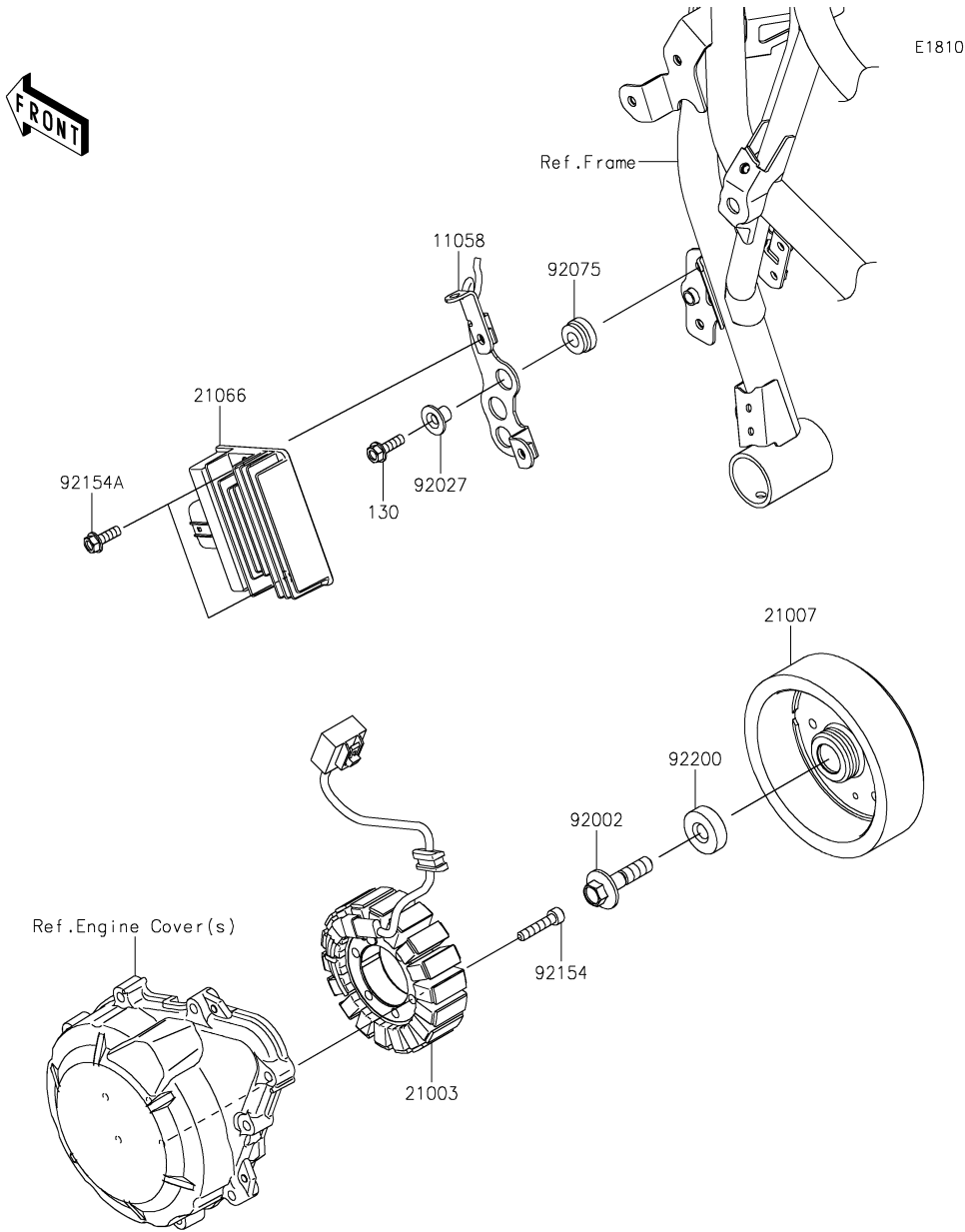
Ref. No.	Part No.	Description	Spec Code	Quantity			
				'24	'25		
				SRFNN	SSFAN		
21175	21175-1874	CONTROL UNIT-ELECTRONIC		1	1		
21176	21176-0009	SENSOR,WATER TEMP		1	1		
21176A	21176-0048	SENSOR,AIR TEMPERATURE		1	1		
21176B	21176-0704	SENSOR,VEHICLE-DOWN		1	1		
21176C	21176-0852	SENSOR,GEAR POSITION		1	1		
21176D	21176-0931	SENSOR,OXYGEN		1	1		
21176E	21176-1199	SENSOR,OXYGEN		1	1		
92055	92055-0016	RING-O,9.5X1.9		1	1		
92055A	92055-0917	RING-O		1	1		
92154	92154-3764	BOLT		1	1		
92161	92161-0951	DAMPER		1	1		
92161A	92161-2487	DAMPER,ECU		1	1		
92172	92172-0790	SCREW,TAPPING,5X16		1	1		
411	411AA0600	WASHER-PLAIN,6MM		1	1		





Ref. No.	Part No.	Description	Spec Code	Quantity			
				'24	'25		
				SRFNN	SSFAN		
13107	13107-0903	SHAFT,OIL PUMP,LH		1	1		
13107A	13107-0920	SHAFT,OIL PUMP,RH		1	1		
14092	14092-1002	COVER,RELIEF VALVE		1	1		
16097	16097-0552	FILTER-ASSY-OIL		1	1		
16130	16130-0006	VALVE-ASSY-RELIEF		1	1		
16154	16154-0753	ROTOR-PUMP		1	1		
32155	32155-0029	PIPE,OIL FILTER		1	1		
49065	49065-0715	FILTER-OIL		1	1		
59051	59051-0873	GEAR-SPUR,41T		1	1		
59051A	59051-0874	GEAR-SPUR,44T		1	1		
92042	92042-030	PIN,DOWEL,4X13.8		1	1		
92055	92055-1503	RING-O,OIL FILTER		1	1		
92154	92154-1525	BOLT,FLANGED,6X22		1	1		
92200	92200-0719	WASHER,11.3X23X1		1	1		
92200A	92200-1009	WASHER		1	1		
92200B	92200-2558	WASHER		1	1		
480	480J1100	CIRCLIP-TYPE-C,11MM		1	1		

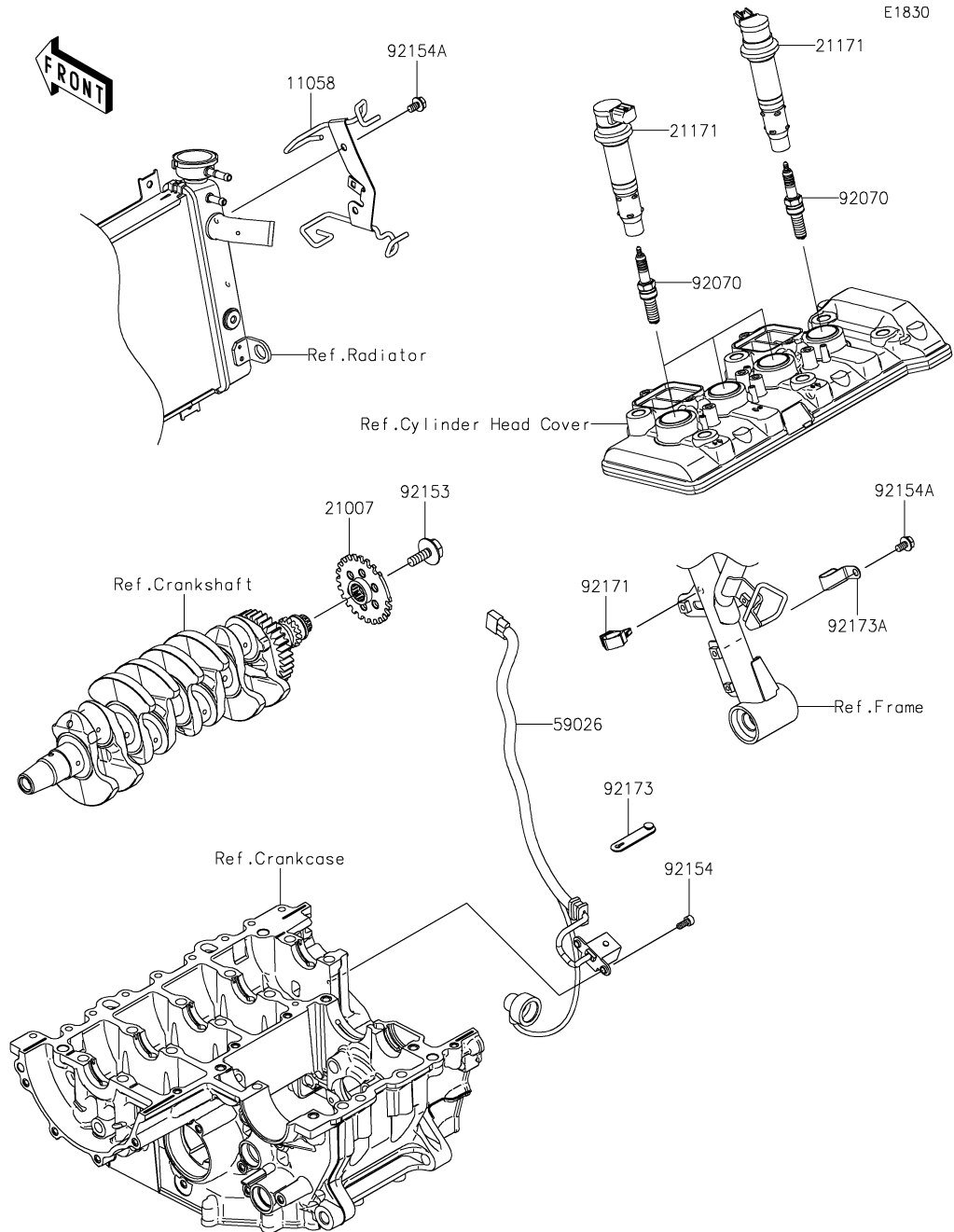
# '24-'25 ZX400 SRFNN/SSFAN



## 22. Generator

Ref. No.	Part No.	Description	Spec Code	Quantity			
				'24	'25		
				SRFNN	SSFAN		
11058	11058-0544	BRACKET,REGULATOR	1	1			
21003	21003-0195	STATOR	1	1			
21007	21007-0690	ROTOR	1	1			
21066	21066-0761	REGULATOR-VOLTAGE	1	1			
92002	92002-1296	BOLT,FLANGED,10X40	1	1			
92027	92027-1651	COLLAR,FLANGED,L=12.1,BLACK	2	2			
92075	92075-277	DAMPER	2	2			
92154	92154-2820	BOLT,SOCKET,6X30	4	4			
92154A	92154-7033	BOLT,FLANGED,6X18	2	2			
92200	92200-0790	WASHER,10X30X9	1	1			
130	130BC0620	BOLT-FLANGED,6X20	2	2			

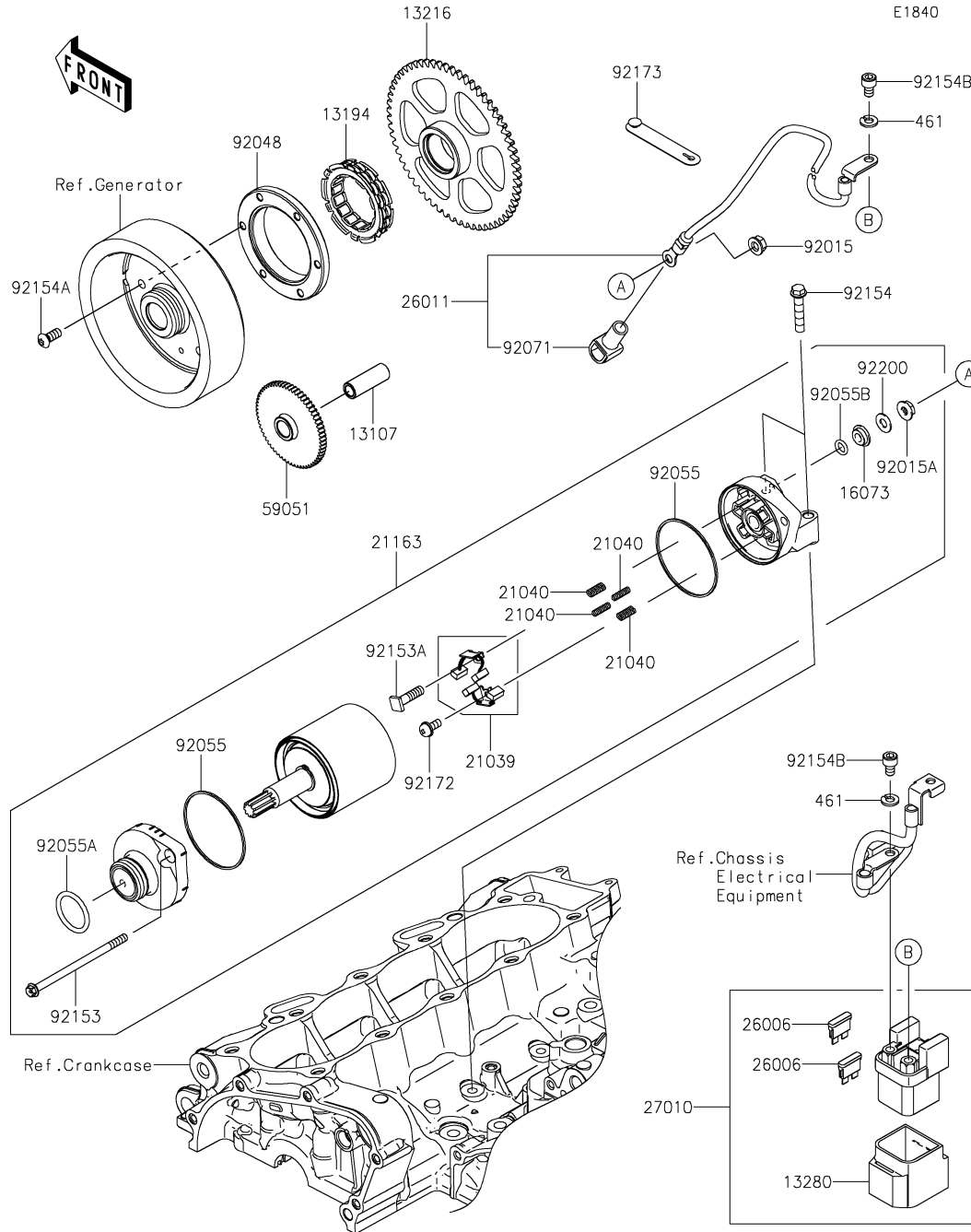
# '24-'25 ZX400 SRFNN/SSFAN



## 23. Ignition System

Ref. No.	Part No.	Description	Spec Code	Quantity			
				'24	'25		
				SRFNN	SSFAN		
11058	11058-0576	BRACKET		1	1		
21007	21007-0686	ROTOR,15T		1	1		
21171	21171-0732	COIL-ASSY-IGNITION		4	4		
59026	59026-0561	COIL-PULSING		1	1		
92070	92070-0716	PLUG-SPARK,LMAR9G(NGK)		4	4		
92153	92153-0549	BOLT,FLANGED,8X23		1	1		
92154	92154-0503	BOLT,SOCKET,5X12		2	2		
92154A	92154-2939	BOLT,FLANGED,6X10		3	3		
92171	92171-0316	CLAMP,BRAKE HOSE		1	1		
92173	92173-2198	CLAMP		1	1		
92173A	92173-2588	CLAMP		1	1		

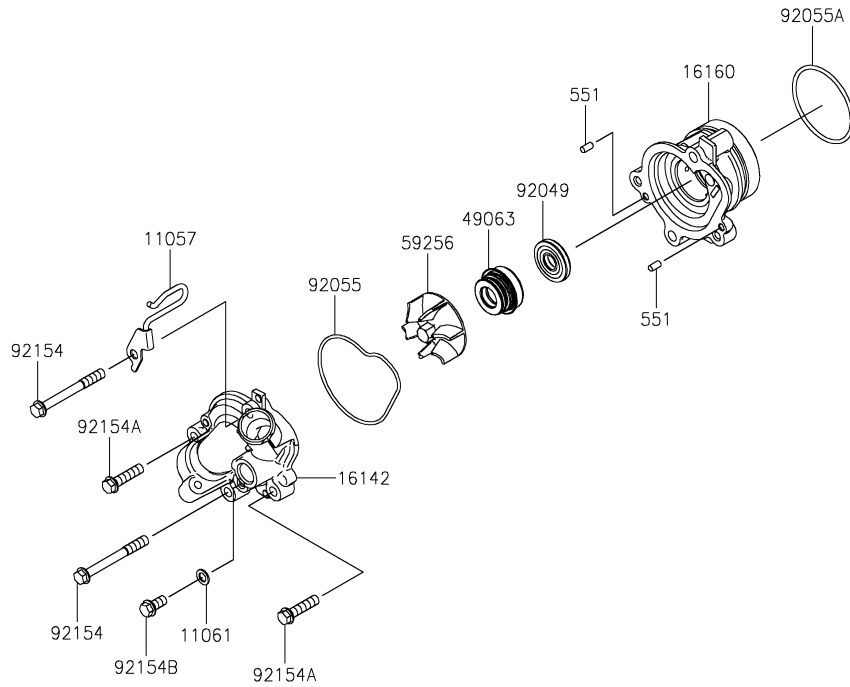
# '24-'25 ZX400 SRFNN/SSFAN



## 24. Starter Motor

Ref. No.	Part No.	Description	Spec Code	Quantity			
				'24	'25		
				SRFNN	SSFAN		
13107	13107-0861	SHAFT, IDLER		1	1		
13194	13194-1096	CLUTCH-ONEWAY		1	1		
13216	13216-0913	GEAR-COMP, ONEWAY CLUTCH		1	1		
13280	13280-0301	HOLDER		1	1		
16073	16073-0053	INSULATOR		1	1		
21039	21039-0004	BRUSH, CARBON		1	1		
21040	21040-0003	SPRING-BRUSH		4	4		
21163	21163-0793	STARTER-ELECTRIC		1	1		
26006	26006-1006	FUSE, BLADE, 30A, GREEN		2	2		
26011	26011-1942	WIRE-LEAD, STARTER		1	1		
27010	27010-0099	SWITCH, MAGNETIC		1	1		
59051	59051-0840	GEAR-SPUR, IDLER		1	1		
92015	92015-1367	NUT, FLANGED, 6MM		1	1		
92015A	92015-1476	NUT, STARTER MOTOR		1	1		
92048	92048-0024	RACE		1	1		
92055	92055-0136	RING-O		2	2		
92055A	92055-1276	RING-O		1	1		
92055B	92055-1370	RING-O, 4.5X2.0		1	1		
92071	92071-0024	GROMMET		1	1		
92153	92153-1850	BOLT		2	2		
92153A	92153-1866	BOLT		1	1		
92154	92154-1080	BOLT, FLANGED, 6X30		2	2		
92154A	92154-1225	BOLT, TORX, 6X14		6	6		
92154B	92154-4401	BOLT, SOCKET, 6X10		2	2		
92172	92172-0334	SCREW		1	1		
92173	92173-2199	CLAMP		1	1		
92200	92200-0386	WASHER		1	1		
461	461DA0600	WASHER-SPRING, 6MM		2	2		

E3031



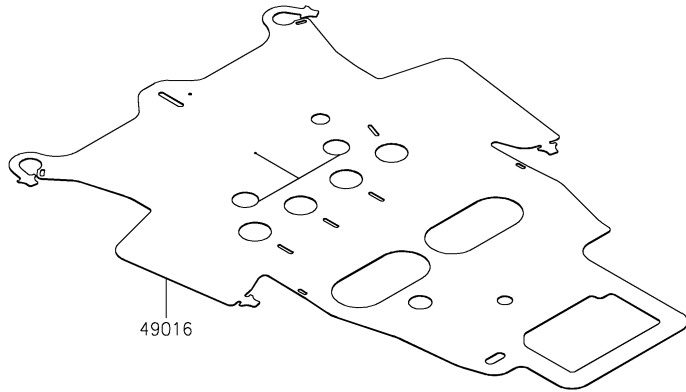
## 25. Water Pump

Ref. No.	Part No.	Description	Spec Code	Quantity			
				'24	'25		
				SRFNN	SSFAN		
11057	11057-4085	BRACKET		1	1		
11061	11061-0107	GASKET		1	1		
16142	16142-0775	COVER-PUMP,WATER		1	1		
16160	16160-0846	BODY,WATER PUMP		1	1		
49063	49063-1055	SEAL-MECHANICAL		1	1		
59256	59256-0554	IMPELLER		1	1		
92049	92049-0798	SEAL-OIL		1	1		
92055	92055-0942	RING-O,WATER PUMP COVER		1	1		
92055A	92055-0943	RING-O,WATER PUMP BODY		1	1		
92154	92154-1288	BOLT,FLANGED,6X55		2	2		
92154A	92154-7030	BOLT,FLANGED,6X25		2	2		
92154B	92154-7036	BOLT,FLANGED,6X12		1	1		
551	551A0408	PIN-DOWEL,4X8		2	2		

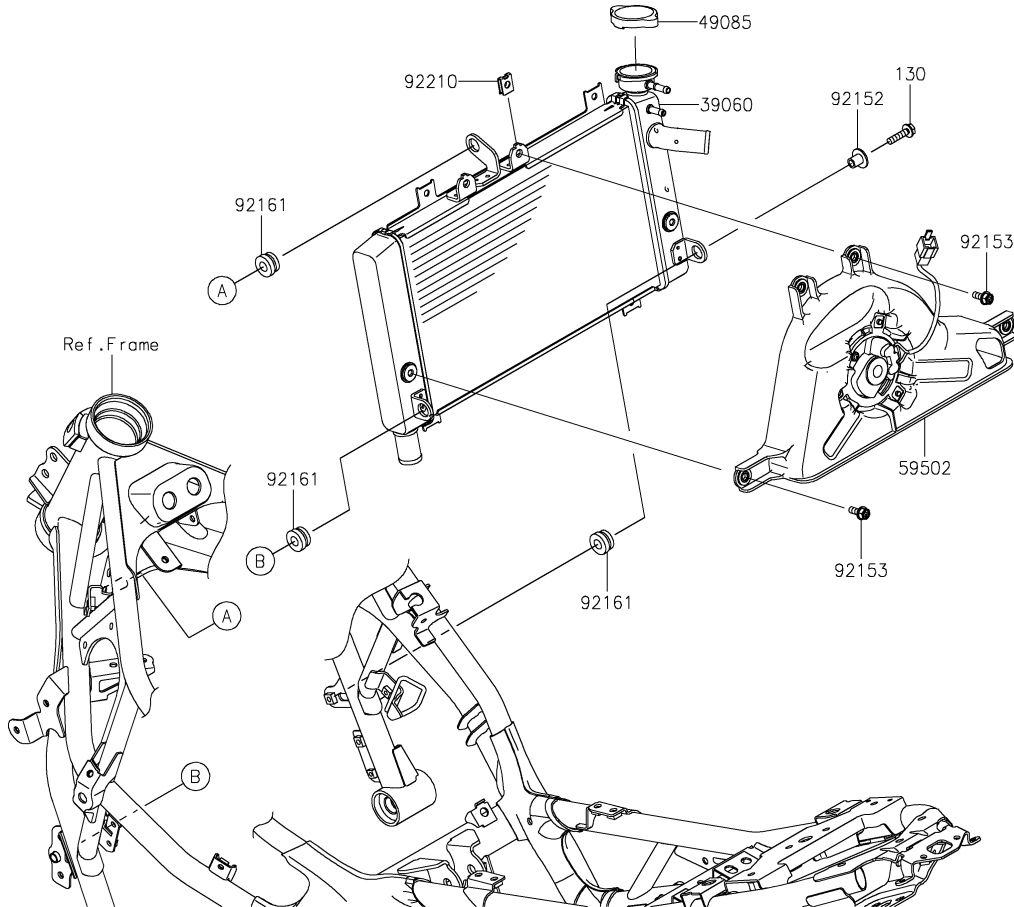


# '24-'25 ZX400 SRFNN/SSFAN

# 26. Radiator

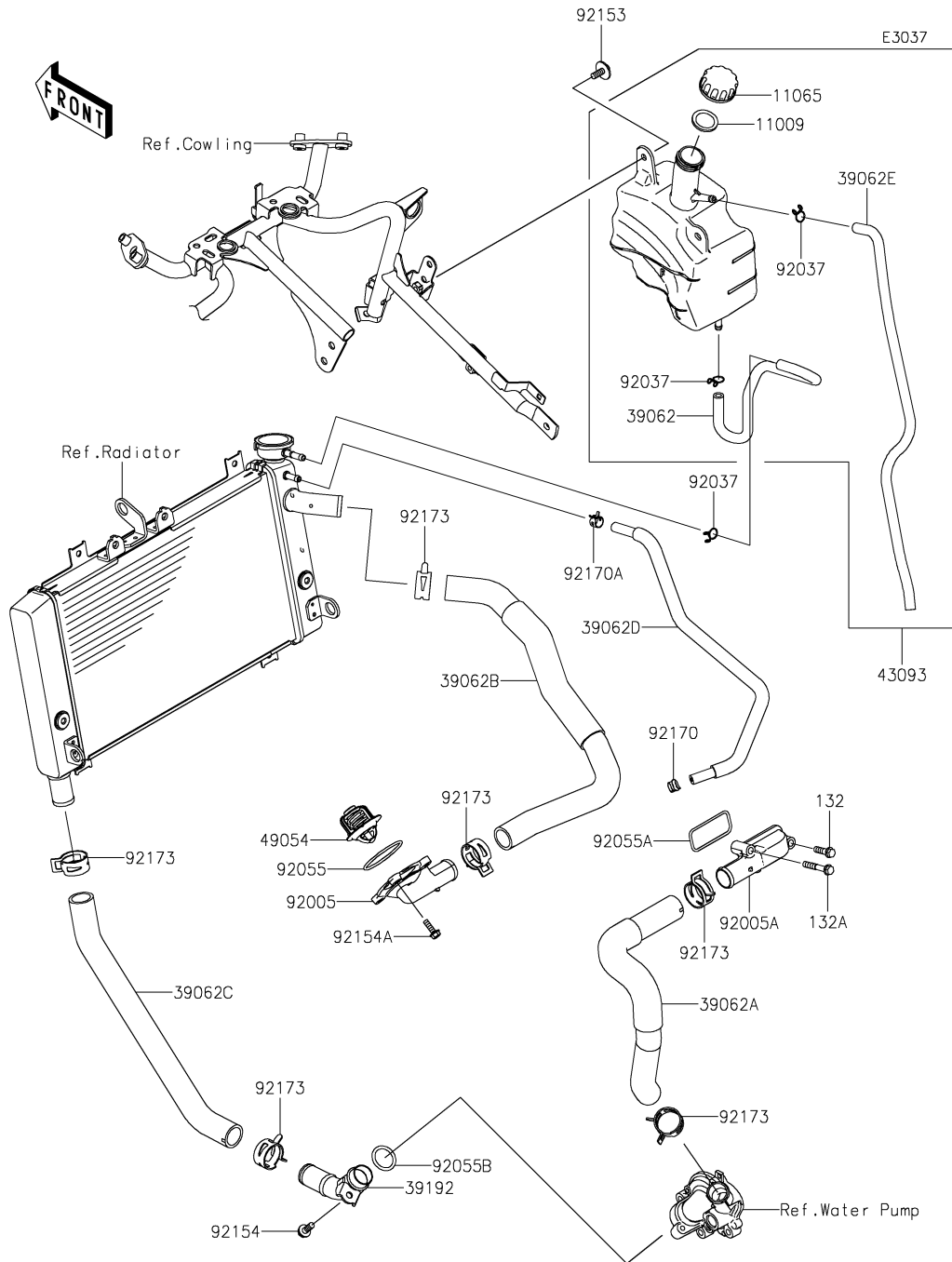


E3032



Ref. No.	Part No.	Description	Spec Code	Quantity			
				'24	'25		
				SRFNN	SSFAN		
39060	39060-0758	RADIATOR		1	1		
49016	49016-0705	COVER-SEAL,HEAT		1	1		
49085	49085-0006	CAP-ASSY-PRESSURE		1	1		
59502	59502-0645	FAN-ASSY		1	1		
92152	92152-2852	COLLAR		1	1		
92153	92153-0531	BOLT		4	4		
92161	92161-2511	DAMPER		3	3		
92210	92210-1323	NUT		2	2		
130	130CB0625	BOLT-FLANGED,6X25		1	1		

# '24-'25 ZX400 SRFNN/SSFAN

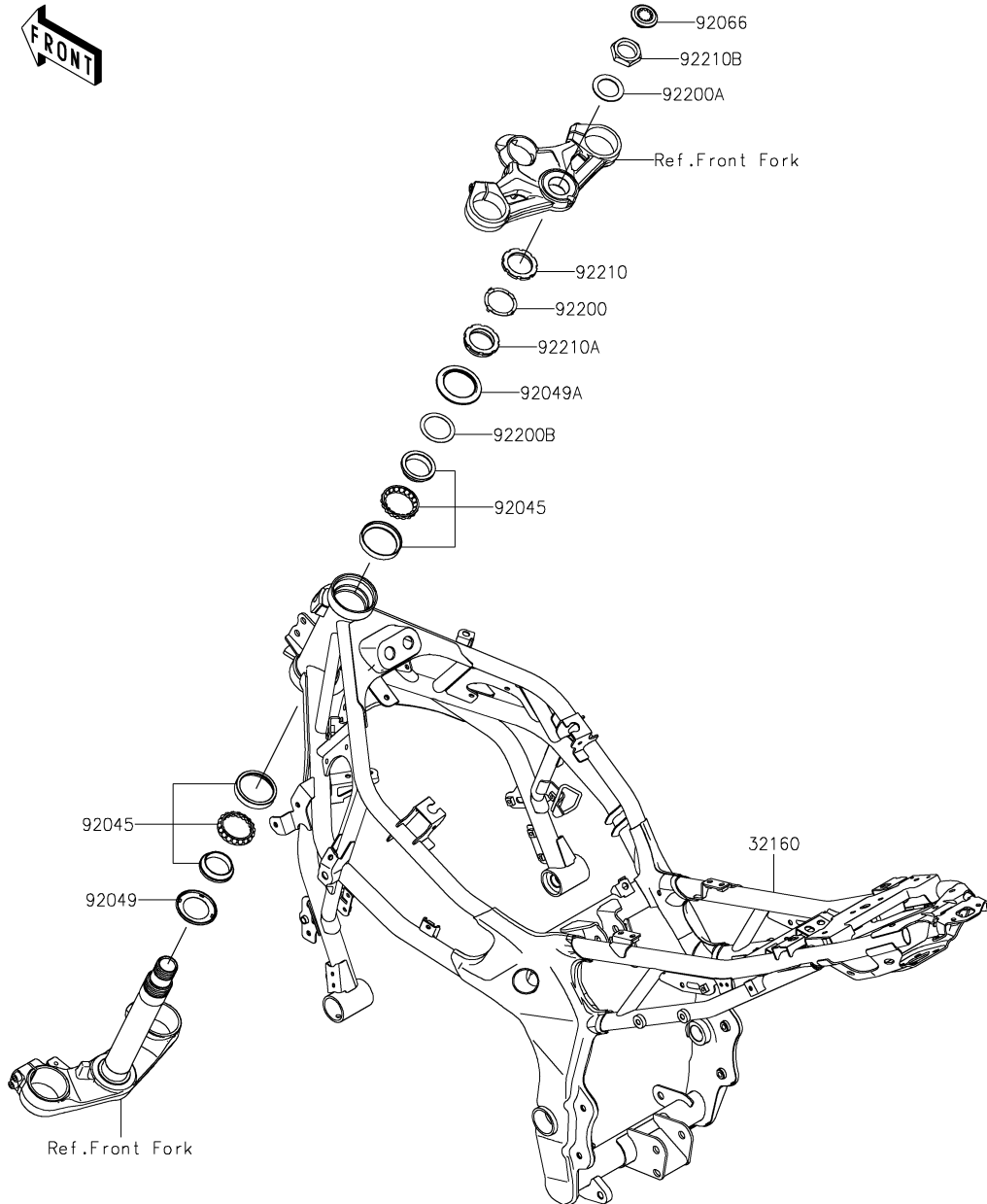


## 27. Water Pipe

Ref. No.	Part No.	Description	Spec Code	Quantity			
				'24	'25		
				SRFNN	SSFAN		
11009	11009-1145	GASKET,RESERVOIR TANK CAP	1	1			
11065	11065-0969	CAP	1	1			
39062	39062-0853	HOSE-COOLING,RETURN	1	1			
39062A	39062-0854	HOSE-COOLING,W/P-FITTING	1	1			
39062B	39062-0855	HOSE-COOLING,RAD-FITTING	1	1			
39062C	39062-0856	HOSE-COOLING,RAD-W/P	1	1			
39062D	39062-0857	HOSE-COOLING,AIR BLEED	1	1			
39062E	39062-0926	HOSE-COOLING,OVER FLOW	1	1			
39192	39192-0658	PIPE-WATER	1	1			
43093	43093-0009	RESERVOIR-ASSY-TANK	1	1			
49054	49054-0001	THERMOSTAT	1	1			
92005	92005-0957	FITTING,THERMO CAP	1	1			
92005A	92005-0958	FITTING	1	1			
92037	92037-147	CLAMP,TUBE	3	3			
92055	92055-0947	RING-O,44.7X2.4	1	1			
92055A	92055-0948	RING-O,FITTING	1	1			
92055B	92055-0949	RING-O,21.6X3.1	1	1			
92153	92153-1798	BOLT,FLANGED-SMALL,6X16	2	2			
92154	92154-1893	BOLT,FLANGED-SMALL,6X16	1	1			
92154A	92154-7034	BOLT,FLANGED,5X16	4	4			
92170	92170-1493	CLAMP	1	1			
92170A	92170-1872	CLAMP	1	1			
92173	92173-1688	CLAMP	6	6			
132	132BA0620	BOLT-FLANGED-SMALL,6X20	1	1			
132A	132BA0635	BOLT-FLANGED-SMALL,6X35	1	1			

# '24-'25 ZX400 SRFNN/SSFAN

F2120

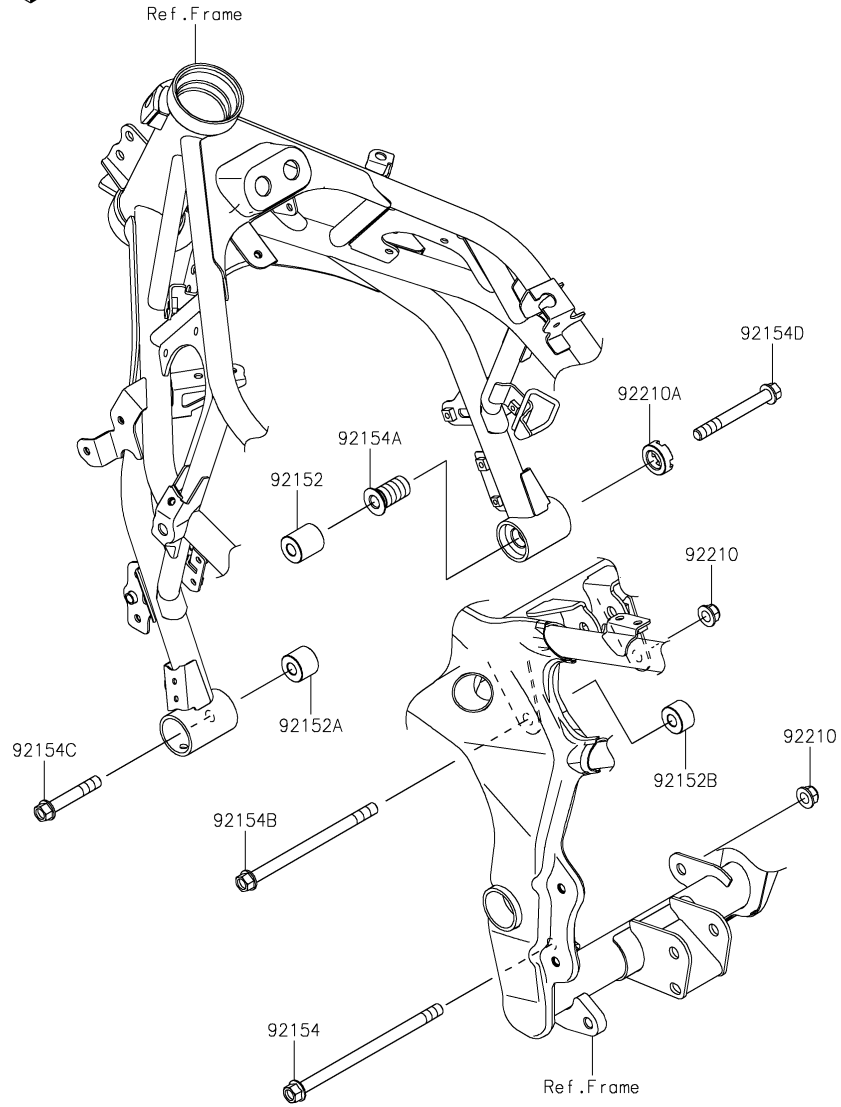


## 28. Frame

Ref. No.	Part No.	Description	Spec Code	Quantity			
				'24	'25		
				SRFNN	SSFAN		
32160	32160-2051-18R	FRAME-COMP,F.S.BLACK		1	1		
92045	92045-1384	BEARING-BALL,SF07A17PX1V1		2	2		
92049	92049-0137	SEAL-OIL		1	1		
92049A	92049-0742	SEAL-OIL,43X55.5X8.6		1	1		
92066	92066-0944	PLUG,STEM-TOP		1	1		
92200	92200-0036	WASHER		1	1		
92200A	92200-0209	WASHER,28.5X42X1.6		1	1		
92200B	92200-2530	WASHER,36X47X0.6		1	1		
92210	92210-0534	NUT,STEERING STEM,35MM		1	1		
92210A	92210-0823	NUT,35MM		1	1		
92210B	92210-1746	NUT,28MM		1	1		

# '24-'25 ZX400 SRFNN/SSFAN

F2122

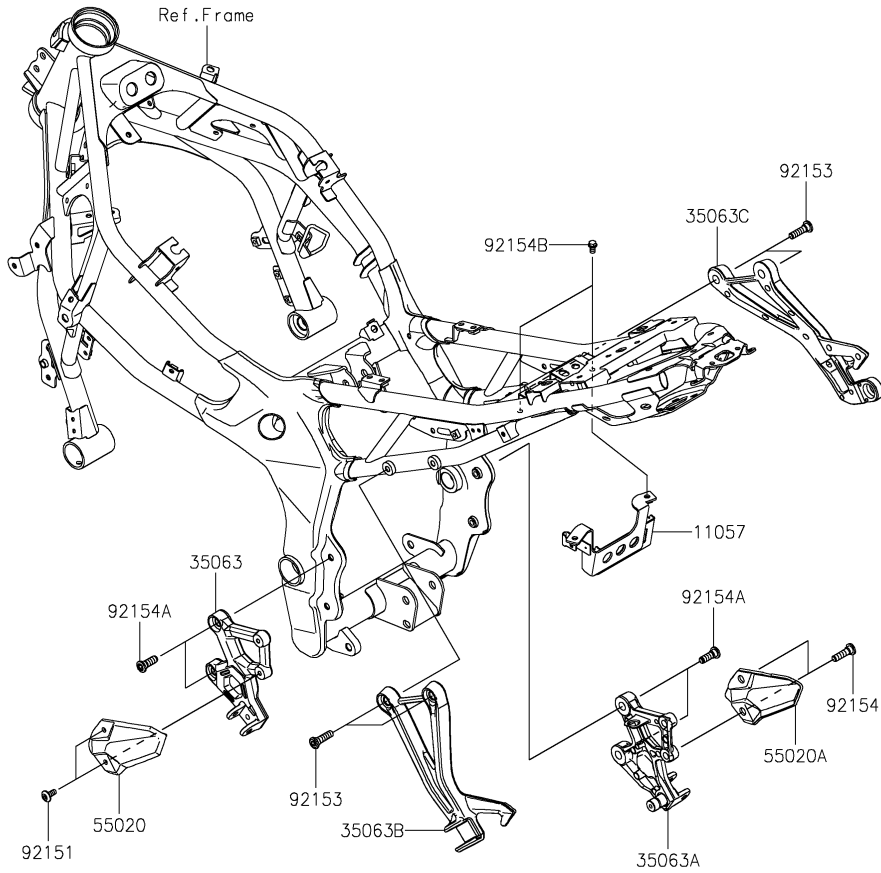


## 29. Engine Mount

Ref. No.	Part No.	Description	Spec Code	Quantity			
				'24	'25		
				SRFNN	SSFAN		
92152	92152-2635	COLLAR,10.5X25X27.5		1	1		
92152A	92152-2878	COLLAR,10.5X25X20		1	1		
92152B	92152-2879	COLLAR,10.5X25X15		1	1		
92154	92154-0840	BOLT,FLANGED,10X170		1	1		
92154A	92154-2168	BOLT,ADJUST,18X35		1	1		
92154B	92154-4431	BOLT,FLANGED,10X150		1	1		
92154C	92154-7049	BOLT,FLANGED,10X60		1	1		
92154D	92154-7050	BOLT,FLANGED,10X85		1	1		
92210	92210-1081	NUT,LOCK,FLANGED,10MM		2	2		
92210A	92210-1203	NUT,18MM		1	1		

# '24-'25 ZX400 SRFNN/SSFAN

F2131



## 30. Frame Fittings

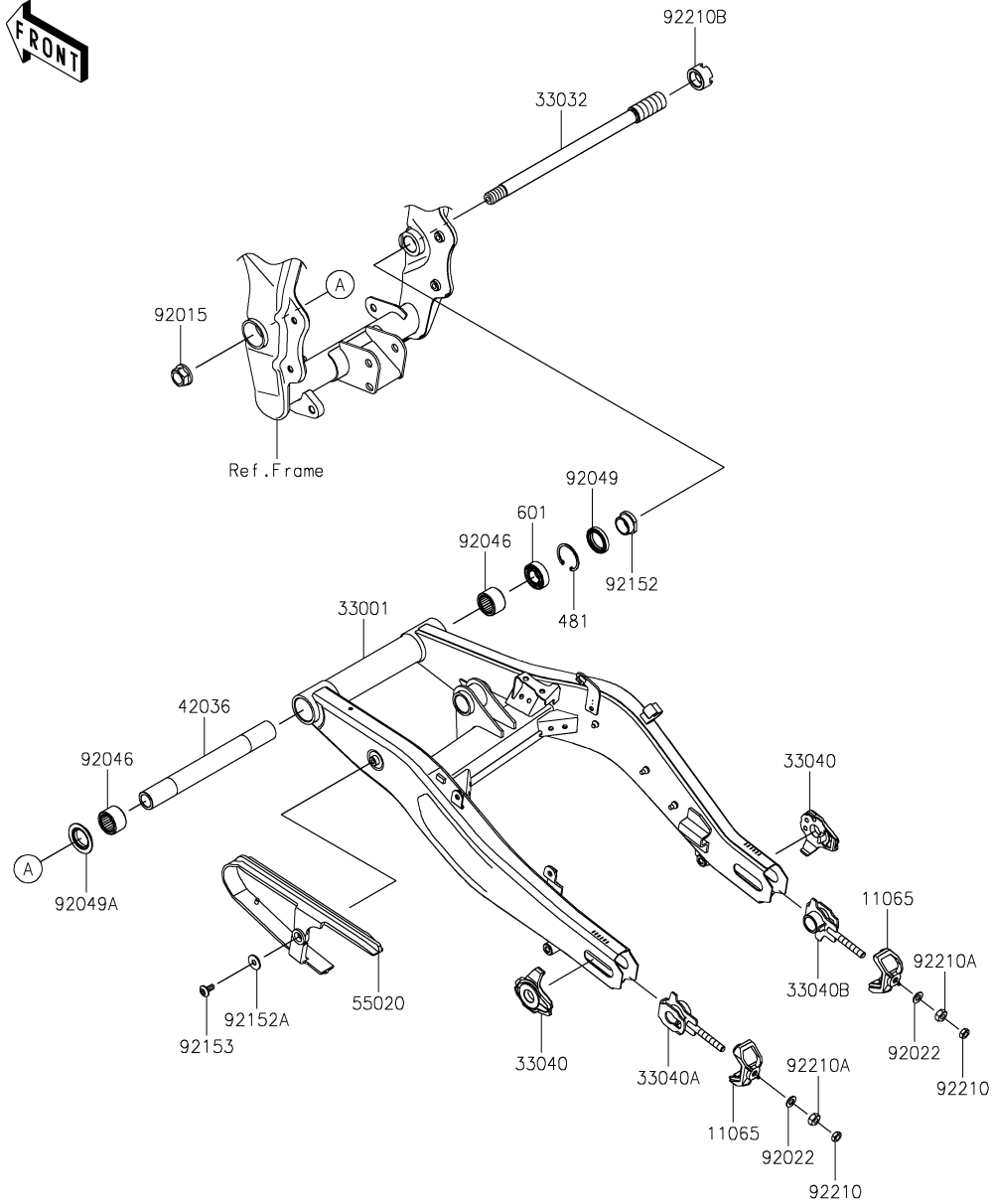
Ref. No.	Part No.	Description	Spec Code	Quantity			
				'24	'25		
				SRFNN	SSFAN		
11057	11057-2882	BRACKET,RELAY BOX	1	1			
35063	35063-1486-18R	STAY,FR STEP,LH,F.S.BLACK	1	1			
35063A	35063-1487-18R	STAY,FR STEP,RH,F.S.BLACK	1	1			
35063B	35063-1488-18R	STAY,RR STEP,LH,F.S.BLACK	1	1			
35063C	35063-1571-18R	STAY,RR STEP,RH,F.S.BLACK	1	1			
55020	55020-2431	GUARD,HEEL,LH	1	1			
55020A	55020-2432	GUARD,HEEL,RH	1	1			
92151	92151-1654	BOLT,SOCKET,6X14	2	2			
92153	92153-1624	BOLT,SOCKET,8X30	4	4			
92154	92154-0843	BOLT,SOCKET,8X30	2	2			
92154A	92154-1149	BOLT,SOCKET,8X25	4	4			
92154B	92154-2344	BOLT,FLANGED,6X10	2	2			

# '24-'25 ZX400 SRFNN/SSFAN

# 31. Swingarm



F2141



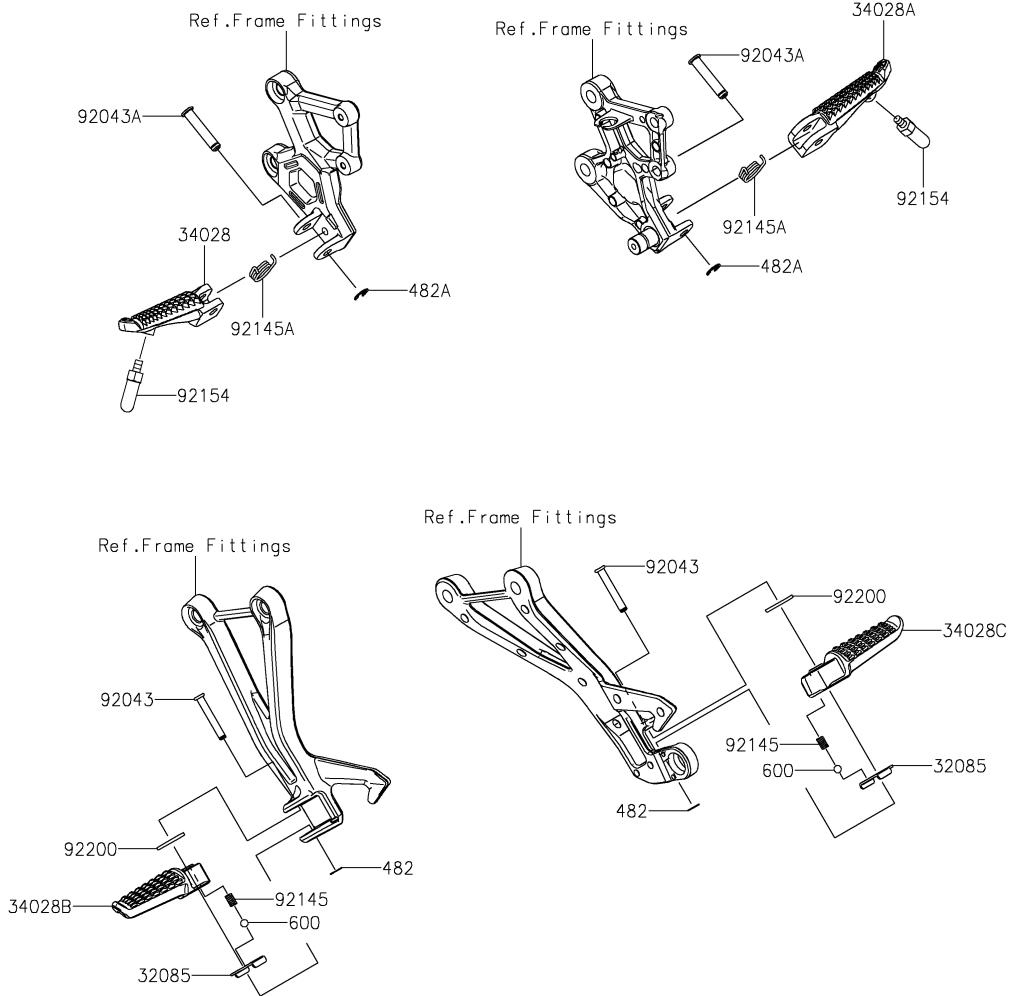
Ref. No.	Part No.	Description	Spec Code	Quantity			
				'24	'25		
				SRFNN	SSFAN		
11065	11065-1329-18R	CAP,CHAIN ADJUSTER,F.S.BLACK		2	2		
33001	33001-0765-18R	ARM-COMP-SWING,F.S.BLACK		1	1		
33032	33032-0062	SHAFT-SWING ARM		1	1		
33040	33040-0096-18R	ADJUSTER-CHAIN,F.S.BLACK		2	2		
33040A	33040-0102	ADJUSTER-CHAIN,LH		1	1		
33040B	33040-0103	ADJUSTER-CHAIN,RH		1	1		
42036	42036-0866	SLEEVE,17.5X25X224		1	1		
55020	55020-2359	GUARD,CHAIN		1	1		
92015	92015-1946	NUT,FLANGED,16MM		1	1		
92022	92022-1582	WASHER,8.5X16X1.2		2	2		
92046	92046-1228	BEARING-NEEDLE,BM2520		2	2		
92049	92049-0827	SEAL-OIL		1	1		
92049A	92049-1426	SEAL-OIL,MF025N1		1	1		
92152	92152-2874	COLLAR		1	1		
92152A	92152-3814	COLLAR		1	1		
92153	92153-1361	BOLT,SOCKET,6X14		1	1		
92210	92210-0116	NUT,8MM		2	2		
92210A	92210-0117	NUT,8MM		2	2		
92210B	92210-1902	NUT,CASTLE,22MM		1	1		
481	481J3500	CIRCLIP-TYPE-C,35MM		1	1		
601	601B6003G	BEARING-BALL,#6003G		1	1		



# '24-'25 ZX400 SRFNN/SSFAN



F2160



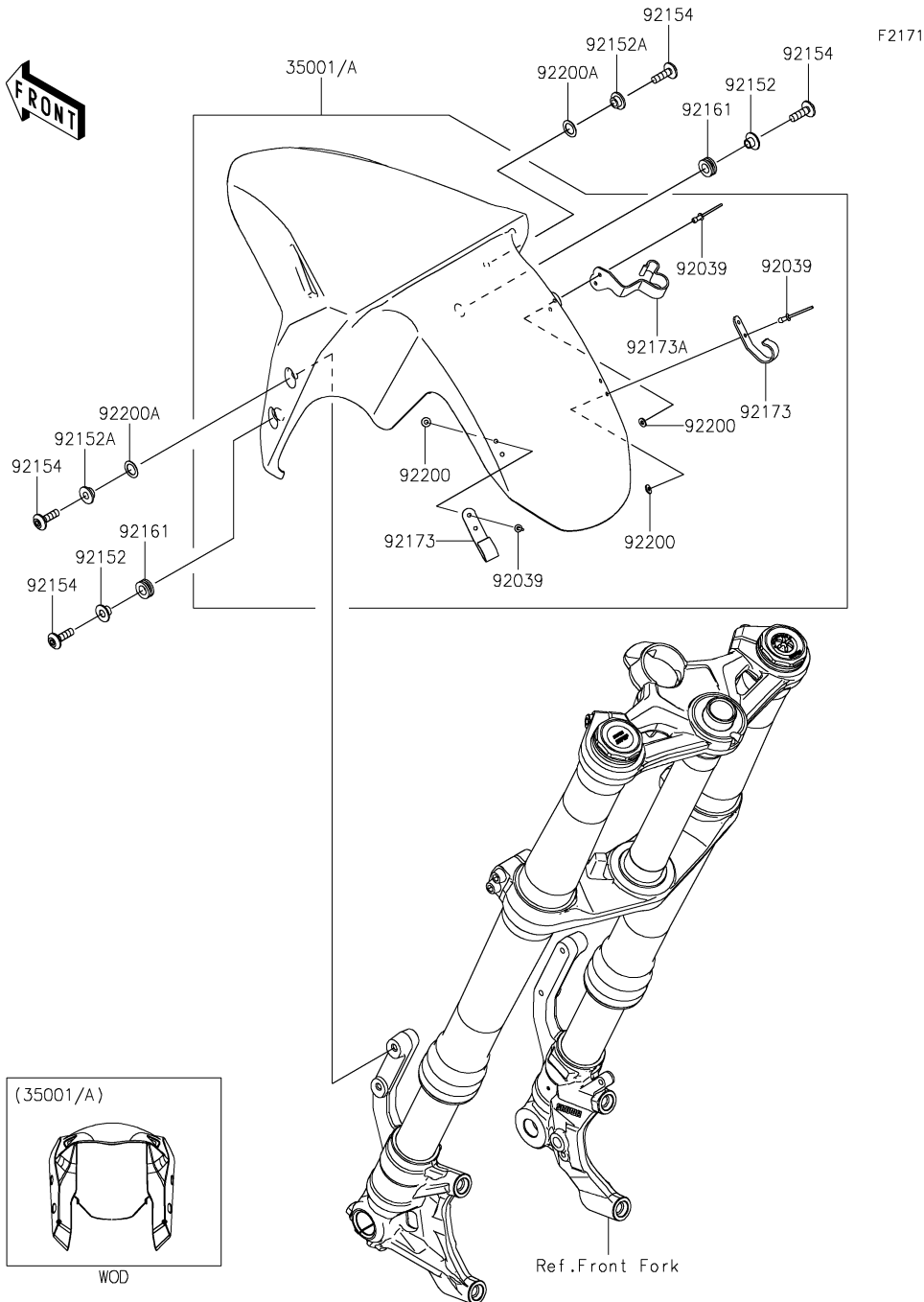
## 33. Footrests

Ref. No.	Part No.	Description	Spec Code	Quantity			
				'24	'25		
				SRFNN	SSFAN		
32085	32085-0047	STOPPER,REAR STEP		2	2		
34028	34028-0356	STEP,FR,LH		1	1		
34028A	34028-0357	STEP,FR,RH		1	1		
34028B	34028-0366	STEP,RR,LH		1	1		
34028C	34028-0367	STEP,RR,RH		1	1		
92043	92043-0200	PIN,6X40		2	2		
92043A	92043-0877	PIN,8X40.5		2	2		
92145	92145-1319	SPRING		2	2		
92145A	92145-2240	SPRING		2	2		
92154	92154-2799	BOLT,BANK SENSOR		2	2		
92200	92200-0772	WASHER,16X26X2.3		2	2		
482	482EA5000	CIRCLIP-TYPE-E		2	2		
482A	482EA7000	CIRCLIP-TYPE-E		2	2		
600	600A0800	BALL-STEEL,1/4		2	2		



# '24-'25 ZX400 SRFNN/SSFAN

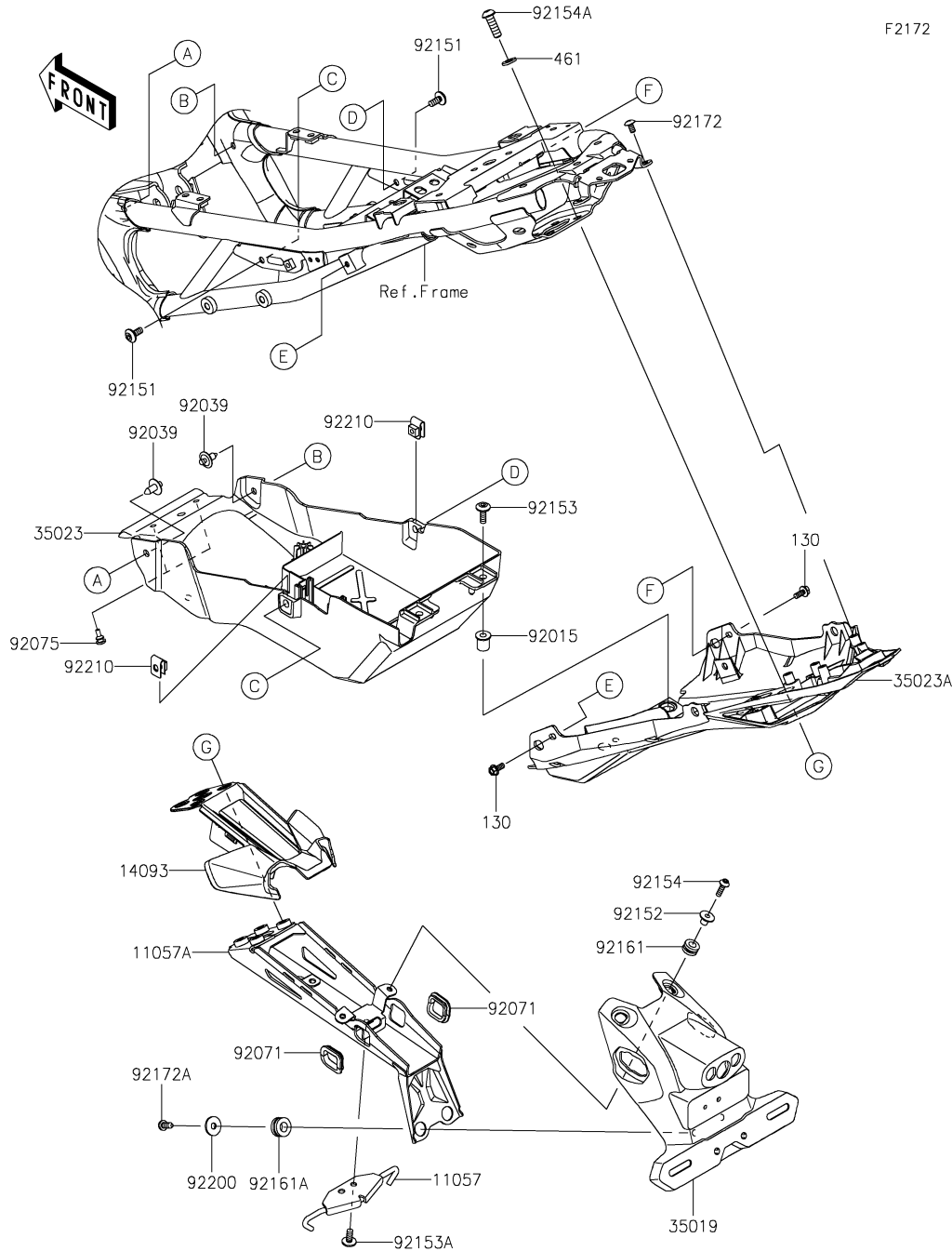
## 34. Front Fender(s)



Ref. No.	Part No.	Description	Spec Code	Quantity			
				'24	'25		
				SRFNN	SSFAN		
35001	35001-0089-63Y	FENDER-ASSY-FRONT,M.M.D.GREEN				1	
35001A	35001-0089-777	FENDER-ASSY-FRONT,L.GREEN			1	1	
92039	92039-0752	RIVET,3.2X9.5			6	6	
92152	92152-1602	COLLAR,6.3X8.3X16			2	2	
92152A	92152-2486	COLLAR,6.5X10X5.9			2	2	
92154	92154-0918	BOLT,SOCKET,6X20			4	4	
92161	92161-1848	DAMPER,8.3X16X6.4			2	2	
92173	92173-2521	CLAMP			2	2	
92173A	92173-2657	CLAMP			1	1	
92200	92200-1251	WASHER,3.5X8X1			6	6	
92200A	92200-2525	WASHER,10.4X15.9X0.5			2	2	

# '24-'25 ZX400 SRFNN/SSFAN

F2172

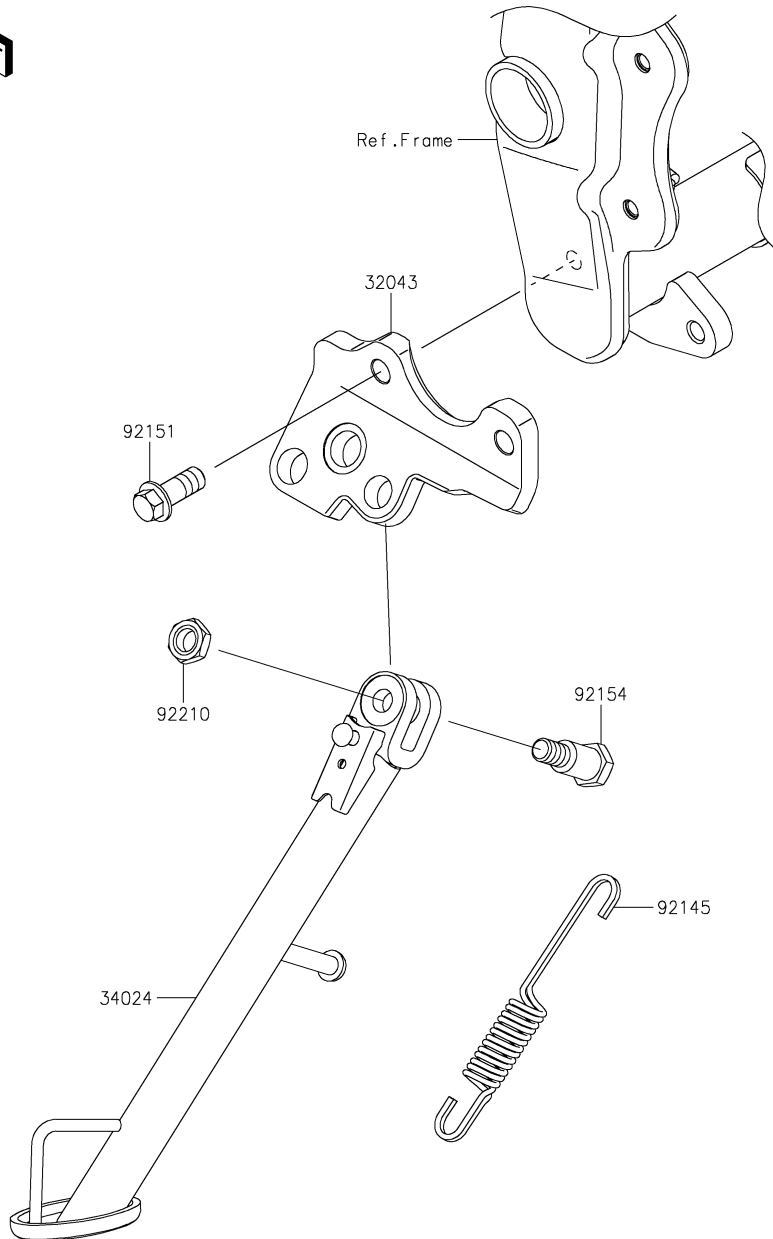


## 35. Rear Fender(s)

Ref. No.	Part No.	Description	Spec Code	Quantity			
				'24	'25		
				SRFNN	SSFAN		
11057	11057-2916	BRACKET,HOOK	1	1			
11057A	11057-7472	BRACKET,FLAP	1	1			
14093	14093-0960	COVER,FLAP	1	1			
35019	35019-0670	FLAP	1	1			
35023	35023-0465	FENDER-REAR,FR	1	1			
35023A	35023-0492	FENDER-REAR,RR	1	1			
92015	92015-1700	NUT	2	2			
92039	92039-1289	RIVET	2	2			
92071	92071-0819	GROMMET	2	2			
92075	92075-1808	DAMPER,6X10X15	2	2			
92151	92151-1654	BOLT,SOCKET,6X14	2	2			
92152	92152-2761	COLLAR	2	2			
92153	92153-0816	BOLT,6X18	2	2			
92153A	92153-1361	BOLT,SOCKET,6X14	2	2			
92154	92154-1701	BOLT,SOCKET,5X16	2	2			
92154A	92154-4432	BOLT,SOCKET,8X25	4	4			
92161	92161-0056	DAMPER	2	2			
92161A	92161-1664	DAMPER,10X20X8.8	2	2			
92172	92172-0821	SCREW,5X12	2	2			
92172A	92172-0856	SCREW,TAPPING,6X14	2	2			
92200	92200-1962	WASHER,6.5X20X1.6	2	2			
92210	92210-0218	NUT,6MM	2	2			
130	130BB0512	BOLT-FLANGED,5X12	2	2			
461	461DA0800	WASHER-SPRING,8MM	4	4			

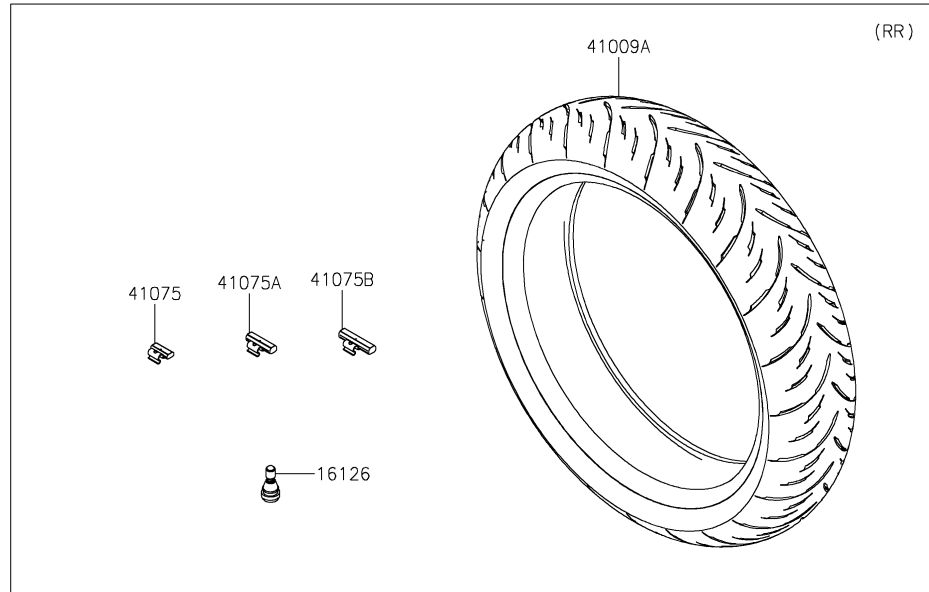
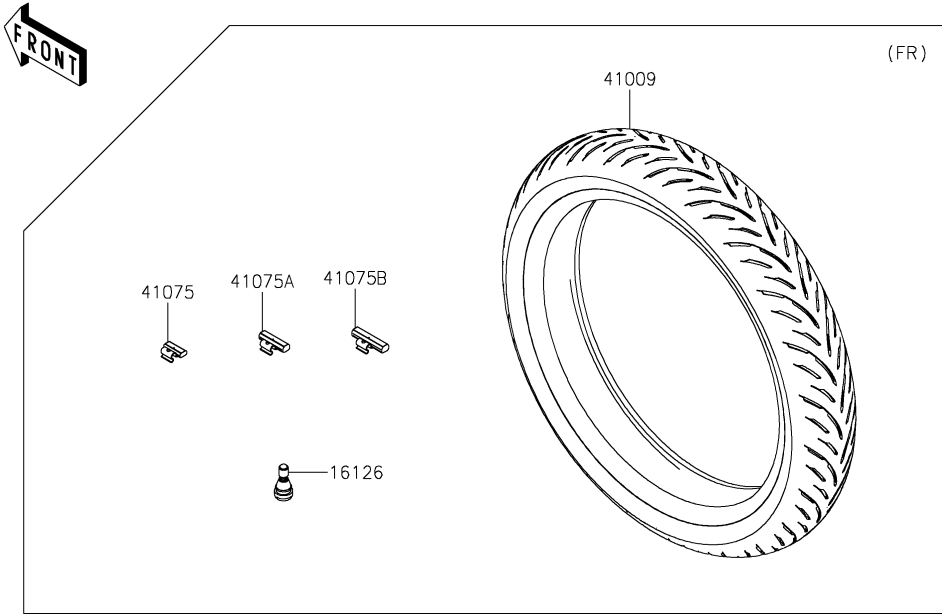
36. Stand(s)

F2190



Ref. No.	Part No.	Description	Spec Code	Quantity			
				'24	'25		
				SRFNN	SSFAN		
32043	32043-0668	BRACKET-STAND		1	1		
34024	34024-0138	STAND-SIDE		1	1		
92145	92145-0804	SPRING,SIDE STAND		1	1		
92151	92151-1802	BOLT,FLANGED,10X25		2	2		
92154	92154-1023	BOLT,10X35.5		1	1		
92210	92210-0784	NUT,LOCK,10MM		1	1		

F2210



### 37. Tires

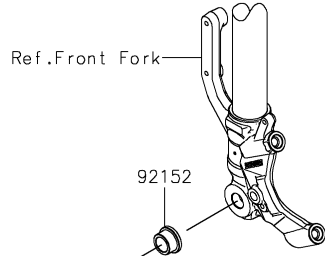
Ref. No.	Part No.	Description	Spec Code	Quantity			
				'24	'25		
				SRFNN	SSFAN		
16126	16126-0770	VALVE,TIRE		2	2		
41009	41009-0896	TIRE,FR,120/70ZR17 58W,GPR-300		1	1		
41009A	41009-0897	TIRE,RR,160/60ZR17 69W,GPR-300		1	1		
41075	41075-0007	BALANCER-WHEEL,10G,SILVER		AR	AR		
41075A	41075-0008	BALANCER-WHEEL,20G,SILVER		AR	AR		
41075B	41075-0009	BALANCER-WHEEL,30G,SILVER		AR	AR		

# '24-'25 ZX400 SRFNN/SSFAN

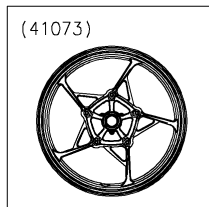
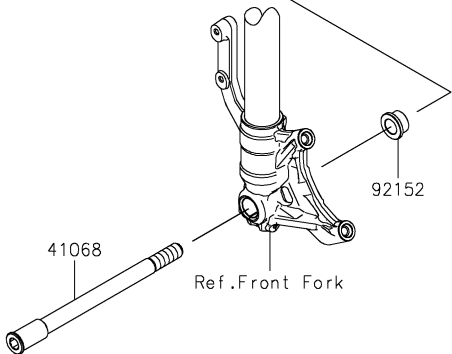
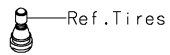
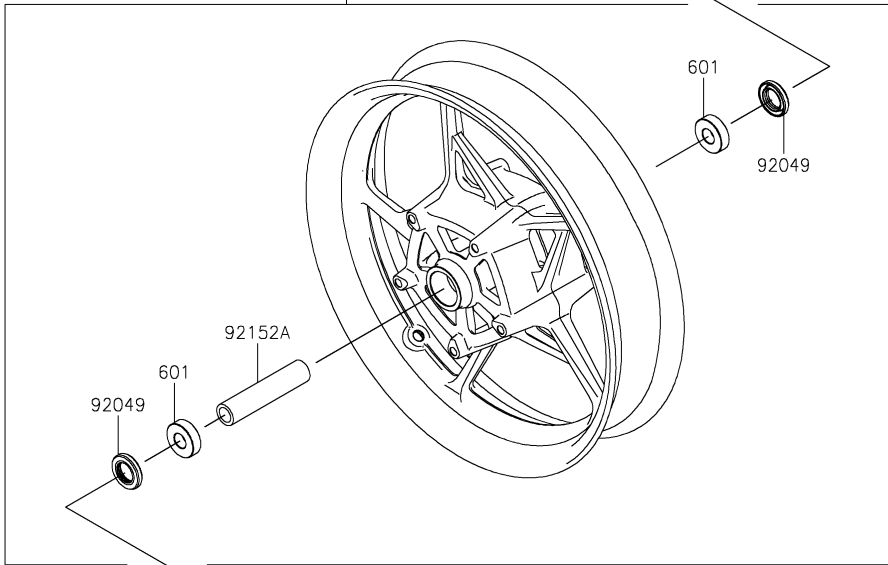
# 38. Front Hub



F2230



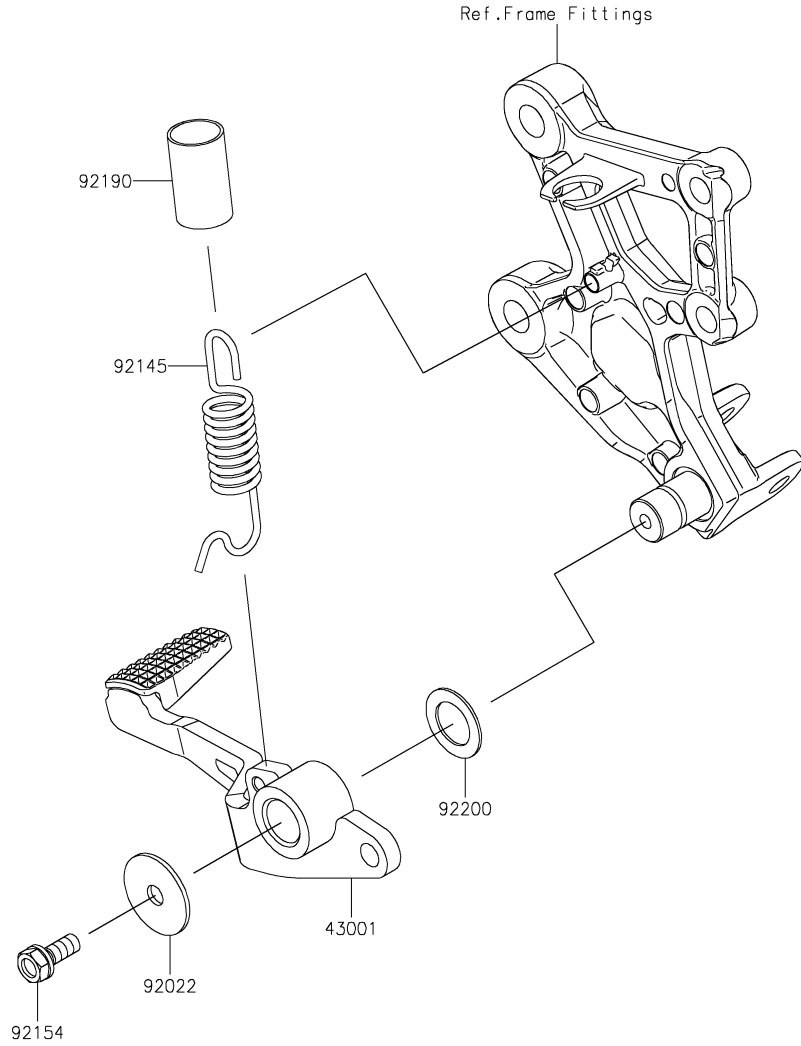
41073



Ref. No.	Part No.	Description	Spec Code	Quantity			
				'24	'25		
				SRFNN	SSFAN		
41068	41068-0651	AXLE,FR		1	1		
41073	41073-0832-QT	WHEEL-ASSY,FR,G.BLACK		1	1		
92049	92049-0801	SEAL-OIL,23X40X7		2	2		
92152	92152-2386	COLLAR,17X30X15.5		2	2		
92152A	92152-2875	COLLAR,17.2X25X115		1	1		
601	601B6203UU	BEARING-BALL,#6203UUC3		2	2		



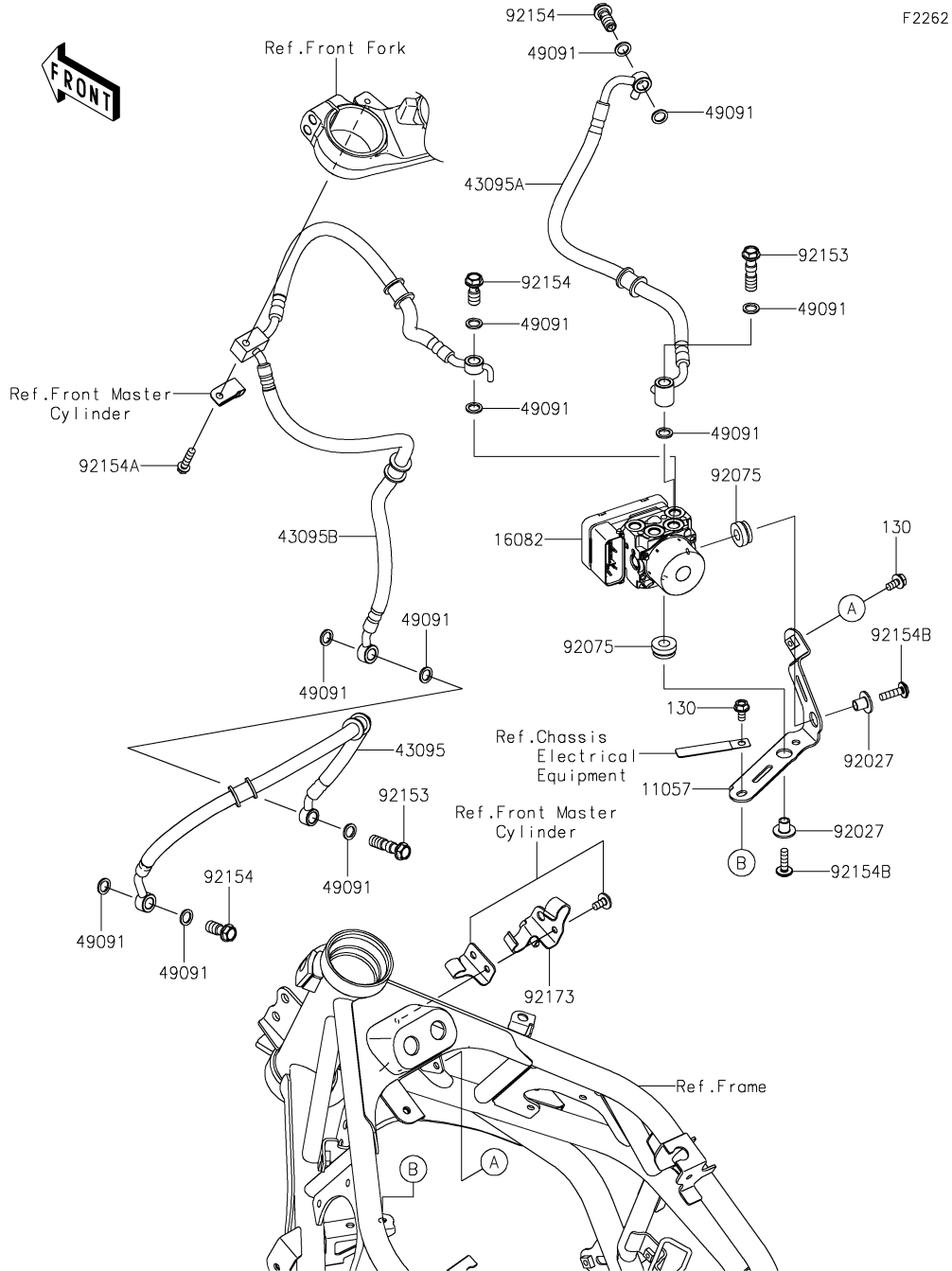
F2260



## 40. Brake Pedal

Ref. No.	Part No.	Description	Spec Code	Quantity			
				'24	'25		
				SRFNN	SSFAN		
43001	43001-0784	LEVER-BRAKE,RR		1	1		
92022	92022-1282	WASHER,7X28X1.6		1	1		
92145	92145-0988	SPRING,BRAKE PEDAL		1	1		
92154	92154-0935	BOLT,UPSET-WS,6X16		1	1		
92190	92190-1185	TUBE,16X19X30		1	1		
92200	92200-0906	WASHER,15.3X24X1		1	1		

# '24-'25 ZX400 SRFNN/SSFAN



## 41. Brake Piping

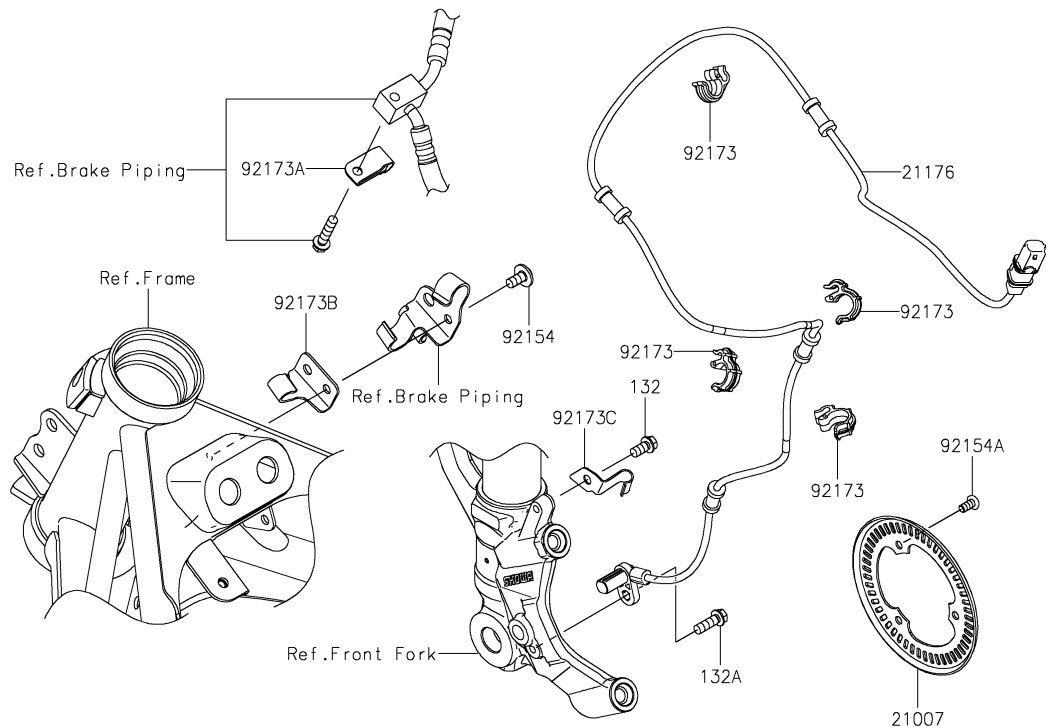
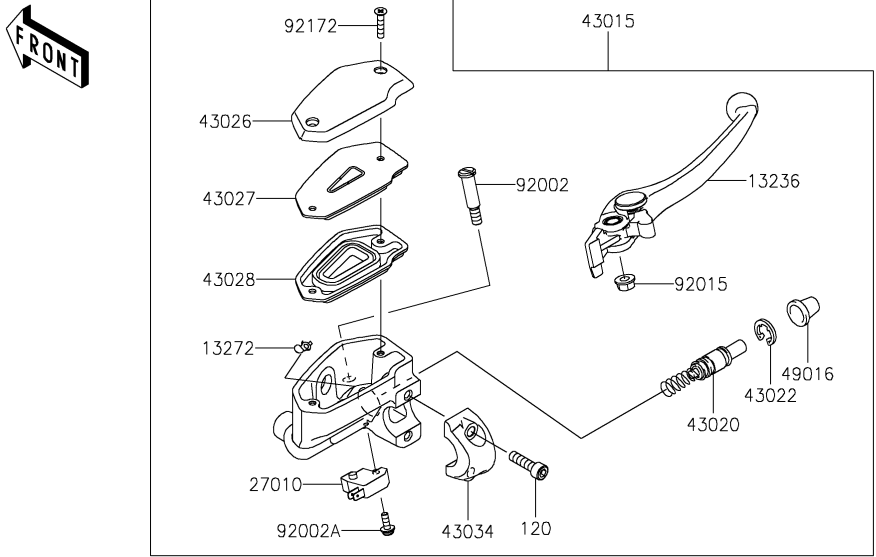
Ref. No.	Part No.	Description	Spec Code	Quantity			
				'24	'25		
				SRFNN	SSFAN		
11057	11057-2883	BRACKET,ABS PUMP	1	1			
16082	16082-0956	PUMP-ASSY-OIL,ABS,WET	1	1			
43095	43095-1858	HOSE-BRAKE,CALIPER,FR	1	1			
43095A	43095-1897	HOSE-BRAKE,FR M/C-ABS PUMP	1	1			
43095B	43095-1965	HOSE-BRAKE,ABS PUMP-FR CALIPER	1	1			
49091	49091-0001	WASHER-SEAL,10.1X14.5X1.5	11	11			
92027	92027-1651	COLLAR,FLANGED,L=12.1,BLACK	2	2			
92075	92075-277	DAMPER	2	2			
92153	92153-0628	BOLT,OIL,L=37	2	2			
92154	92154-1712	BOLT,BANJO,10X23	3	3			
92154A	92154-1836	BOLT,FLANGED-SMALL,6X25	1	1			
92154B	92154-2302	BOLT,SOCKET,6X22	2	2			
92173	92173-2176	CLAMP	1	1			
130	130BA0612	BOLT-FLANGED,6X12	2	2			



# '24-'25 ZX400 SRFNN/SSFAN

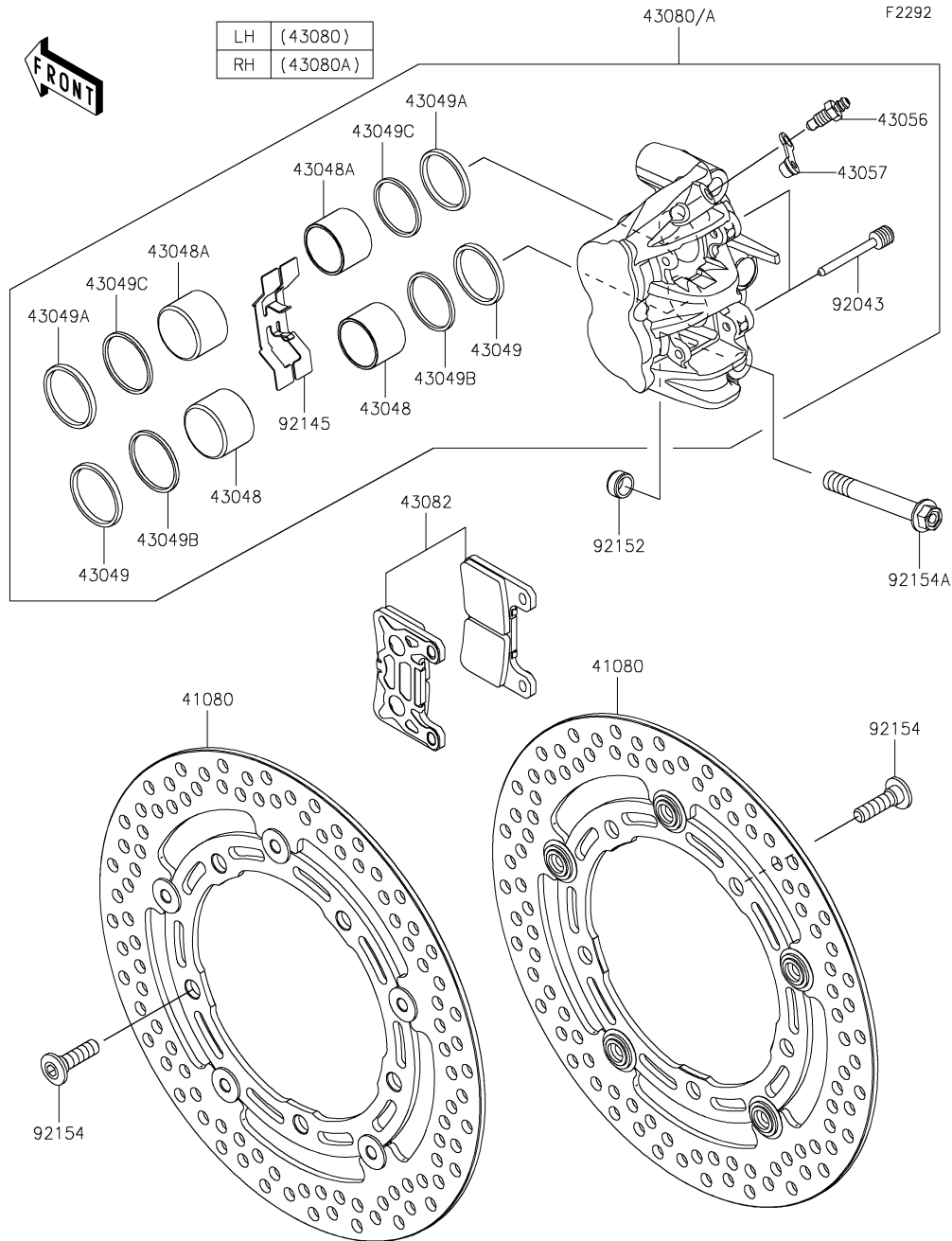
# 42. Front Master Cylinder

F2291



Ref. No.	Part No.	Description	Spec Code	Quantity			
				'24	'25		
				SRFNN	SSFAN		
13236	13236-0860	LEVER-COMP	1	1			
13272	13272-0573	PLATE	1	1			
21007	21007-0671	ROTOR,SENSOR,FR	1	1			
21176	21176-0925	SENSOR,SPEED,FR	1	1			
27010	27010-0762	SWITCH,BRAKE	1	1			
43015	43015-0795	CYLINDER-ASSY-MASTER,FR	1	1			
43020	43020-0008	PISTON-COMP-BRAKE	1	1			
43022	43022-1010	STOPPER-BRAKE,PISTON	1	1			
43026	43026-0019	CAP-BRAKE	1	1			
43027	43027-0008	PLATE-DIAPHRAGM	1	1			
43028	43028-0015	DIAPHRAGM	1	1			
43034	43034-0050	HOLDER-BRAKE,MASTER-CYLINDER	1	1			
49016	49016-1044	COVER-SEAL,MASTER CYLINDER	1	1			
92002	92002-1322	BOLT,LEVER SET,BLACK	1	1			
92002A	92002-1323	BOLT,SCREW,4X12	1	1			
92015	92015-1528	NUT,FLANGED,6MM	1	1			
92154	92154-2355	BOLT,SOCKET,6X12	1	1			
92154A	92154-2801	BOLT,SOCKET,5X10	3	3			
92172	92172-0320	SCREW,4X20	2	2			
92173	92173-1613	CLAMP,HOSE&SENSOR LINE	4	4			
92173A	92173-2175	CLAMP	1	1			
92173B	92173-2193	CLAMP	1	1			
92173C	92173-2522	CLAMP	1	1			
120	120CB0622	BOLT-SOCKET,6X22	2	2			
132	132BA0612	BOLT-FLANGED-SMALL,6X12	1	1			
132A	132BC0618	BOLT-FLANGED-SMALL,6X18	1	1			

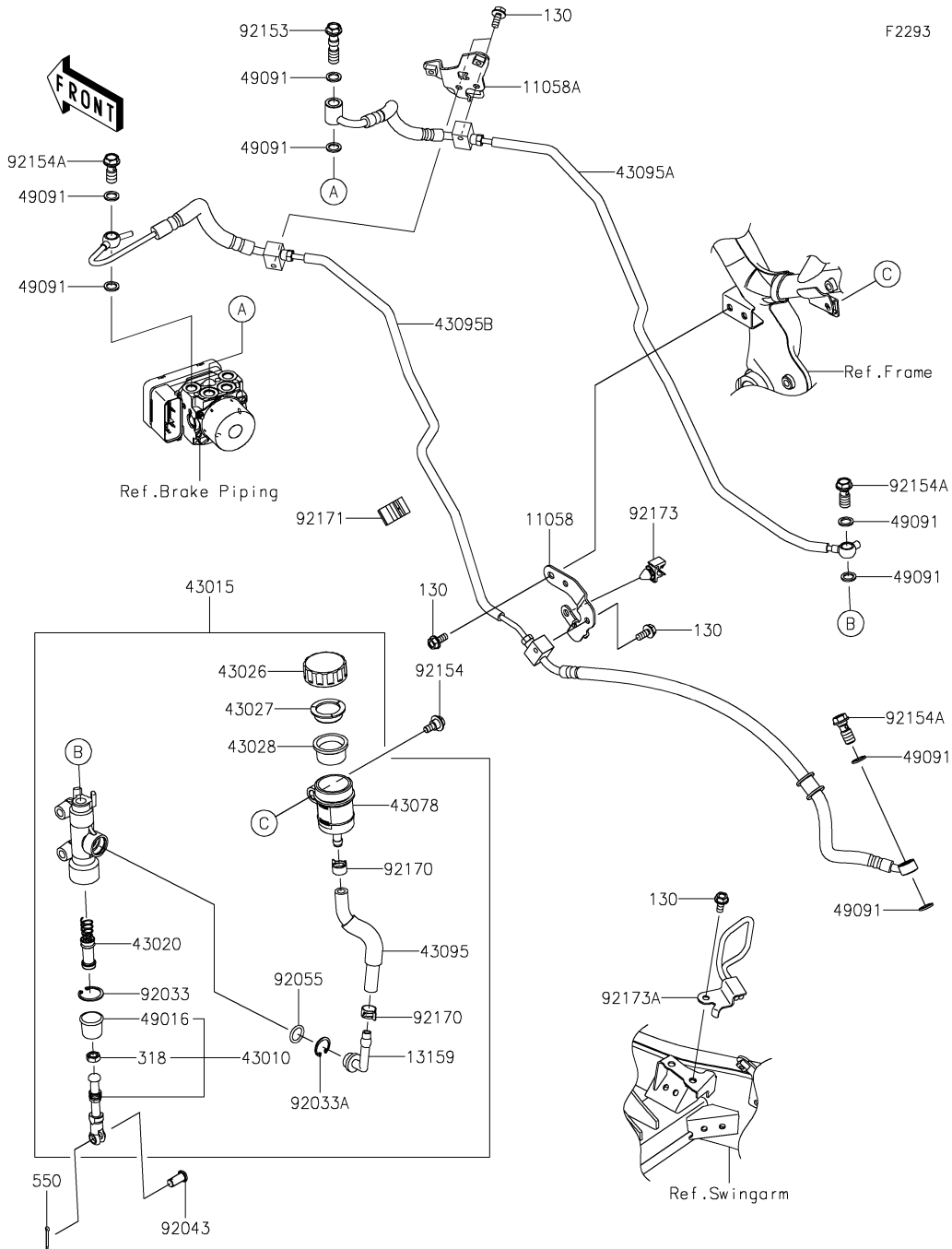
# '24-'25 ZX400 SRFNN/SSFAN



## 43. Front Brake

Ref. No.	Part No.	Description	Spec Code	Quantity			
				'24	'25		
				SRFNN	SSFAN		
41080	41080-0741-32L	DISC,FR,BLACK+BLK		2	2		
43048	43048-0023	PISTON-CALIPER		4	4		
43048A	43048-0024	PISTON-CALIPER		4	4		
43049	43049-0012	PACKING,PISTON		4	4		
43049A	43049-0013	PACKING,PISTON		4	4		
43049B	43049-1068	PACKING		4	4		
43049C	43049-1107	PACKING,WIPER		4	4		
43056	43056-0007	BREATHER-BRAKE		2	2		
43057	43057-003	CAP-BREATHER		2	2		
43080	43080-0143-DJ	CALIPER-SUB-ASSY,FR,LH,BLACK		1	1		
43080A	43080-0144-DJ	CALIPER-SUB-ASSY,FR,RH,BLACK		1	1		
43082	43082-0206	PAD-ASSY-BRAKE		2	2		
92043	92043-1709	PIN,PAD		4	4		
92145	92145-1873	SPRING,PAD		2	2		
92152	92152-2877	COLLAR,DOWEL PIN		4	4		
92154	92154-1865	BOLT,SOCKET,8X30		10	10		
92154A	92154-4379	BOLT		4	4		

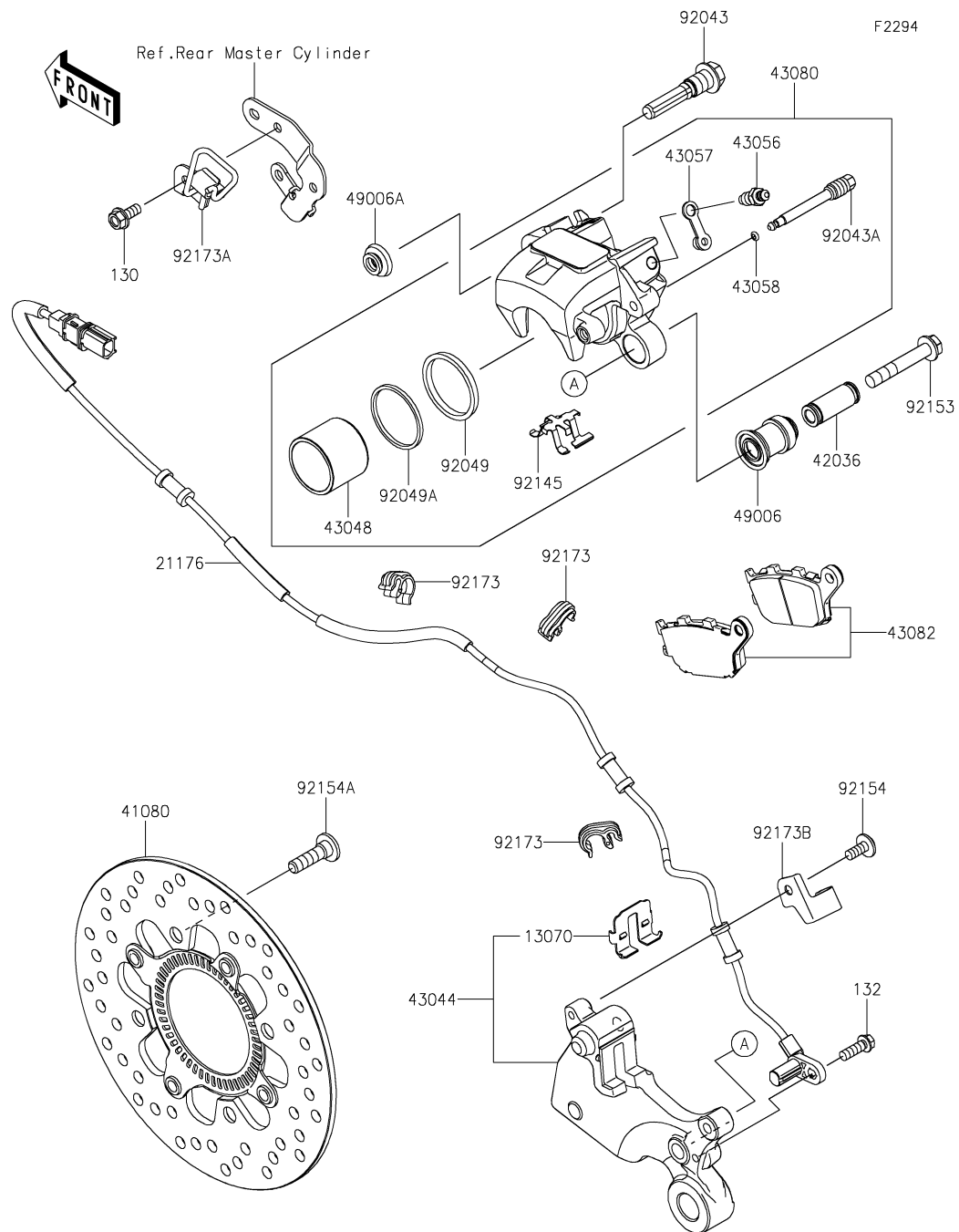
# '24-'25 ZX400 SRFNN/SSFAN



## 44. Rear Master Cylinder

Ref. No.	Part No.	Description	Spec Code	Quantity			
				'24	'25		
				SRFNN	SSFAN		
11058	11058-0609	BRACKET,BRAKE HOSE		1	1		
11058A	11058-1022	BRACKET,BRAKE HOSE		1	1		
13159	13159-1056	CONNECTOR		1	1		
43010	43010-0030	ROD-ASSY-BRAKE		1	1		
43015	43015-0784	CYLINDER-ASSY-MASTER,RR		1	1		
43020	43020-1094	PISTON-COMP-BRAKE		1	1		
43026	43026-0009	CAP-BRAKE		1	1		
43027	43027-1053	PLATE-DIAPHRAGM		1	1		
43028	43028-1065	DIAPHRAGM		1	1		
43078	43078-0060	RESERVOIR		1	1		
43095	43095-1755	HOSE-BRAKE		1	1		
43095A	43095-1889	HOSE-BRAKE,ABS PUMP-RR M/C		1	1		
43095B	43095-1891	HOSE-BRAKE,ABS PUMP-RR CALIPER		1	1		
49016	49016-1103	COVER-SEAL,BRAKE PISTON		1	1		
49091	49091-0001	WASHER-SEAL,10.1X14.5X1.5		8	8		
92033	92033-0079	RING-SNAP,20.9X24.6X1.2		1	1		
92033A	92033-1186	RING-SNAP,20.5MM		1	1		
92043	92043-0904	PIN		1	1		
92055	92055-0741	RING-O,14.8X2.4		1	1		
92153	92153-0628	BOLT,OIL,L=37		1	1		
92154	92154-0929	BOLT		1	1		
92154A	92154-1712	BOLT,BANJO,10X23		3	3		
92170	92170-1091	CLAMP,HOSE		2	2		
92171	92171-0818	CLAMP		1	1		
92173	92173-1213	CLAMP,FUEL PIPE		1	1		
92173A	92173-2179	CLAMP,RR HUGGER		1	1		
130	130BA0614	BOLT-FLANGED,6X14		5	5		
318	318BB0800	NUT-HEX-SMALL		1	1		
550	550AA2015	PIN-COTTER,2.0X15		1	1		

# '24-'25 ZX400 SRFNN/SSFAN



## 45. Rear Brake

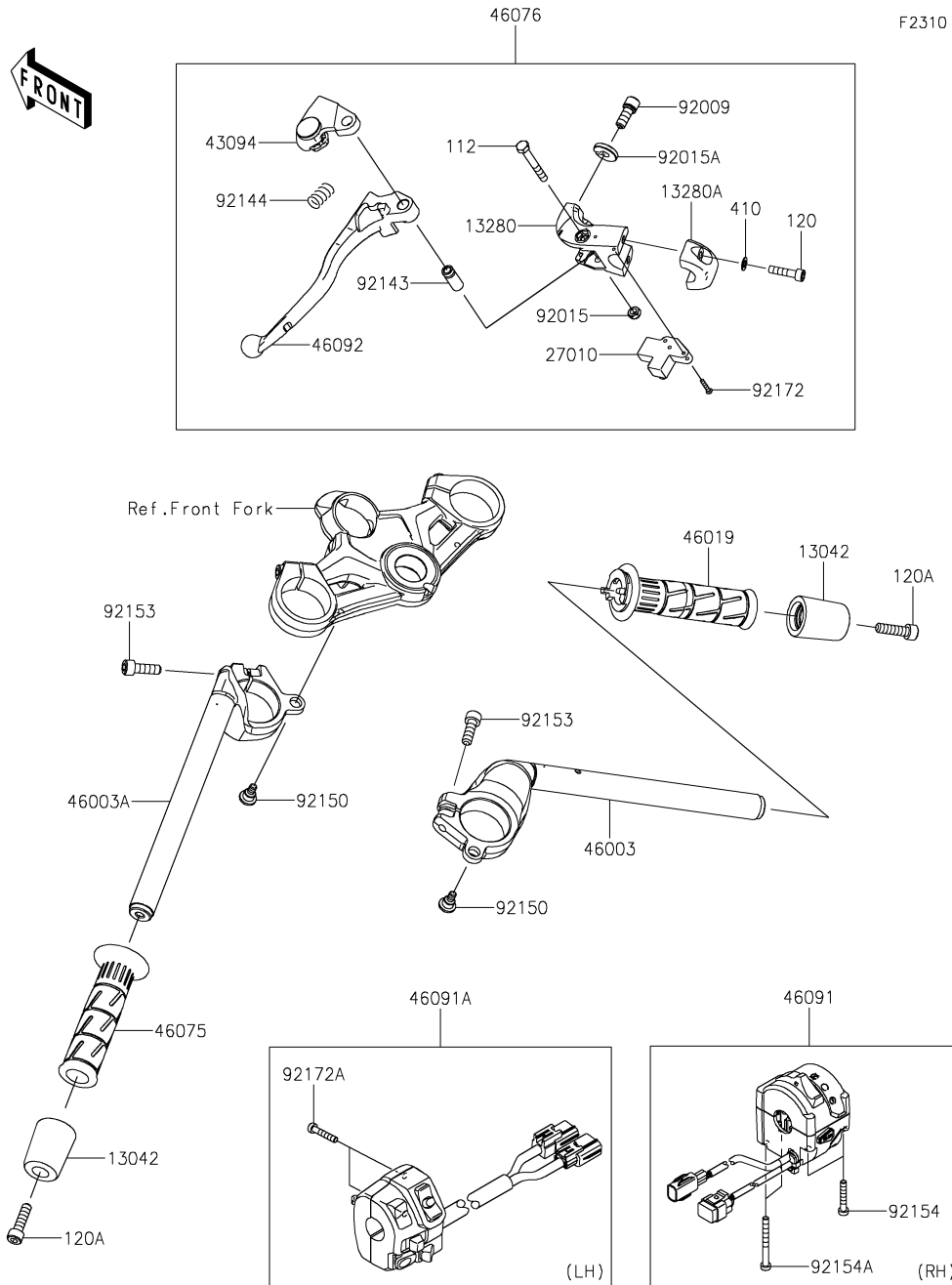
Ref. No.	Part No.	Description	Spec Code	Quantity			
				'24	'25		
				SRFNN	SSFAN		
13070	13070-0810	GUIDE		1	1		
21176	21176-0926	SENSOR,SPEED,RR		1	1		
41080	41080-0736	DISC,RR		1	1		
42036	42036-0050	SLEEVE		1	1		
43044	43044-0092	HOLDER-COMP-CALIPER		1	1		
43048	43048-0008	PISTON-CALIPER		1	1		
43056	43056-1055	BREATHER		1	1		
43057	43057-1001	CAP-BREATHER		1	1		
43058	43058-1100	RING,STOPPER		1	1		
43080	43080-0156-DJ	CALIPER-SUB-ASSY,RR,BLACK		1	1		
43082	43082-0185	PAD-ASSY-BRAKE		1	1		
49006	49006-0058	BOOT		1	1		
49006A	49006-1242	BOOT,CALIPER		1	1		
92043	92043-0137	PIN		1	1		
92043A	92043-0820	PIN,HANGER		1	1		
92049	92049-1449	SEAL-OIL		1	1		
92049A	92049-1450	SEAL-OIL		1	1		
92145	92145-0493	SPRING,PAD		1	1		
92153	92153-1826	BOLT,FLANGED		1	1		
92154	92154-0907	BOLT,SOCKET,6X14		1	1		
92154A	92154-1865	BOLT,SOCKET,8X30		4	4		
92173	92173-1613	CLAMP,HOSE&SENSOR LINE		3	3		
92173A	92173-2177	CLAMP		1	1		
92173B	92173-2178	CLAMP		1	1		
130	130BA0614	BOLT-FLANGED,6X14		1	1		
132	132BC0618	BOLT-FLANGED-SMALL,6X18		1	1		

# '24-'25 ZX400 SRFNN/SSFAN

# 46. Handlebar

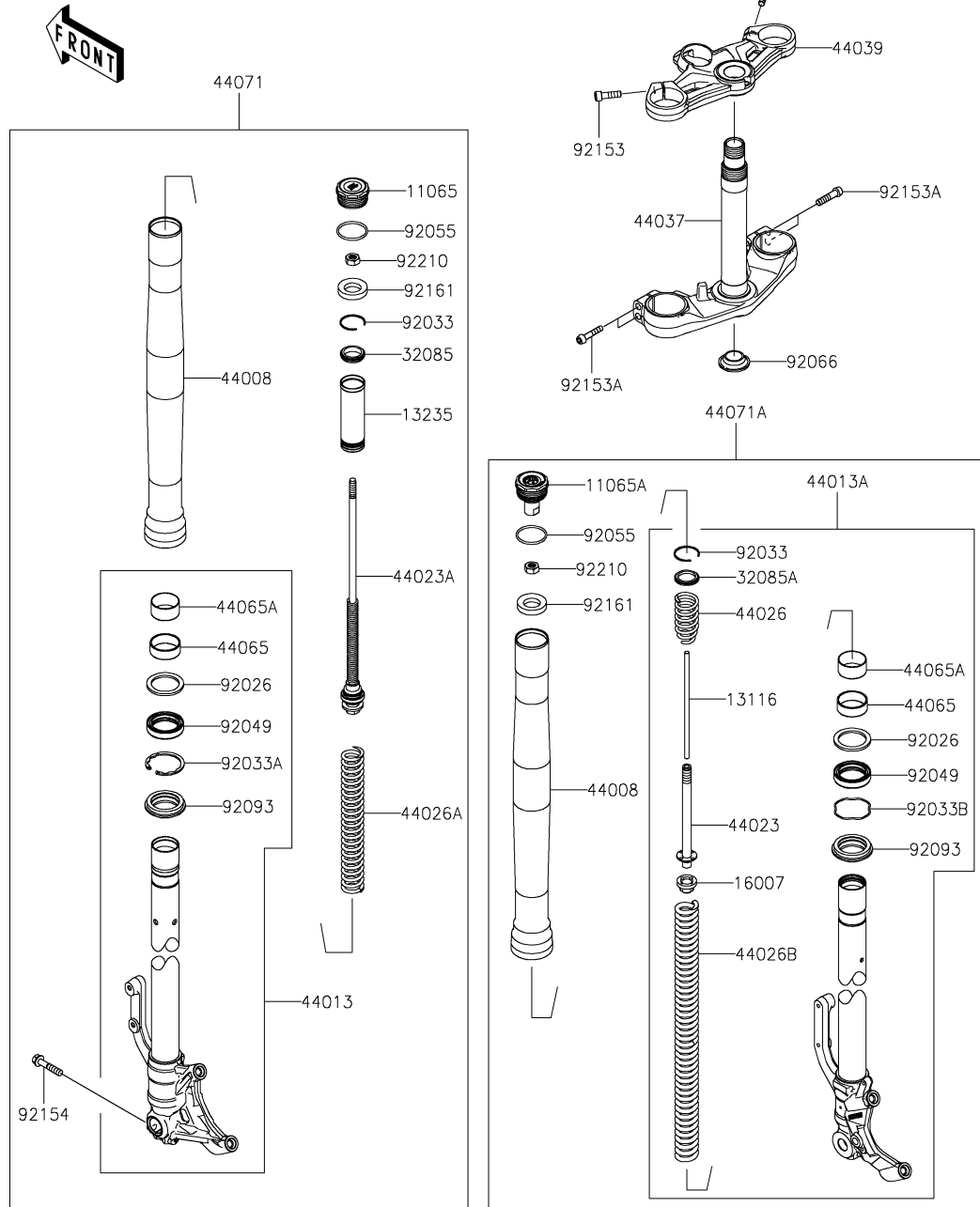
Ref. No.	Part No.	Description	Spec Code	Quantity			
				'24	'25		
				SRFNN	SSFAN		

13042	13042-5040	WEIGHT,HANDLE		2	2
13280	13280-0306	HOLDER,CLUTCH LEVER		1	1
13280A	13280-0319	HOLDER,CLUTCH LEVER		1	1
27010	27010-0933	SWITCH,CLUTCH		1	1
43094	43094-0013	ADJUSTER		1	1
46003	46003-0762	HANDLE,RH		1	1
46003A	46003-0822	HANDLE,LH		1	1
46019	46019-0100	GRIP-ASSY,THROTTLE		1	1
46075	46075-0564	GRIP,HANDLE,LH		1	1
46076	46076-0174	LEVER-ASSY-GRIP,CLUTCH		1	1
46091	46091-0586	HOUSING-ASSY-CONTROL,RH		1	1
46091A	46091-0587	HOUSING-ASSY-CONTROL,LH		1	1
46092	46092-0578	LEVER-GRIP,CLUTCH		1	1
92009	92009-1134	SCREW,CABLE ADJUST,8MM,BLACK		1	1
92015	92015-1191	NUT,LOCK,6MM,BLACK		1	1
92015A	92015-1197	NUT,CABLE ADJUST LOCK,8MM,BLK		1	1
92143	92143-1379	COLLAR		1	1
92144	92144-1467	SPRING		1	1
92150	92150-1090	BOLT,6MM		2	2
92153	92153-1625	BOLT,SOCKET,8X25		2	2
92154	92154-3921	BOLT,5X30		2	2
92154A	92154-3922	BOLT,5X50		2	2
92172	92172-0183	SCREW,3X16		2	2
92172A	92172-1140	SCREW-PAN-CROS,5X25		2	2
112	112BB0645	BOLT-UPSET,6X45		1	1
120	120CB0625	BOLT-SOCKET,6X25		2	2
120A	120CB0830	BOLT-SOCKET,8X30		2	2
410	410AB0600	WASHER-PLAIN-SMALL,6MM		2	2



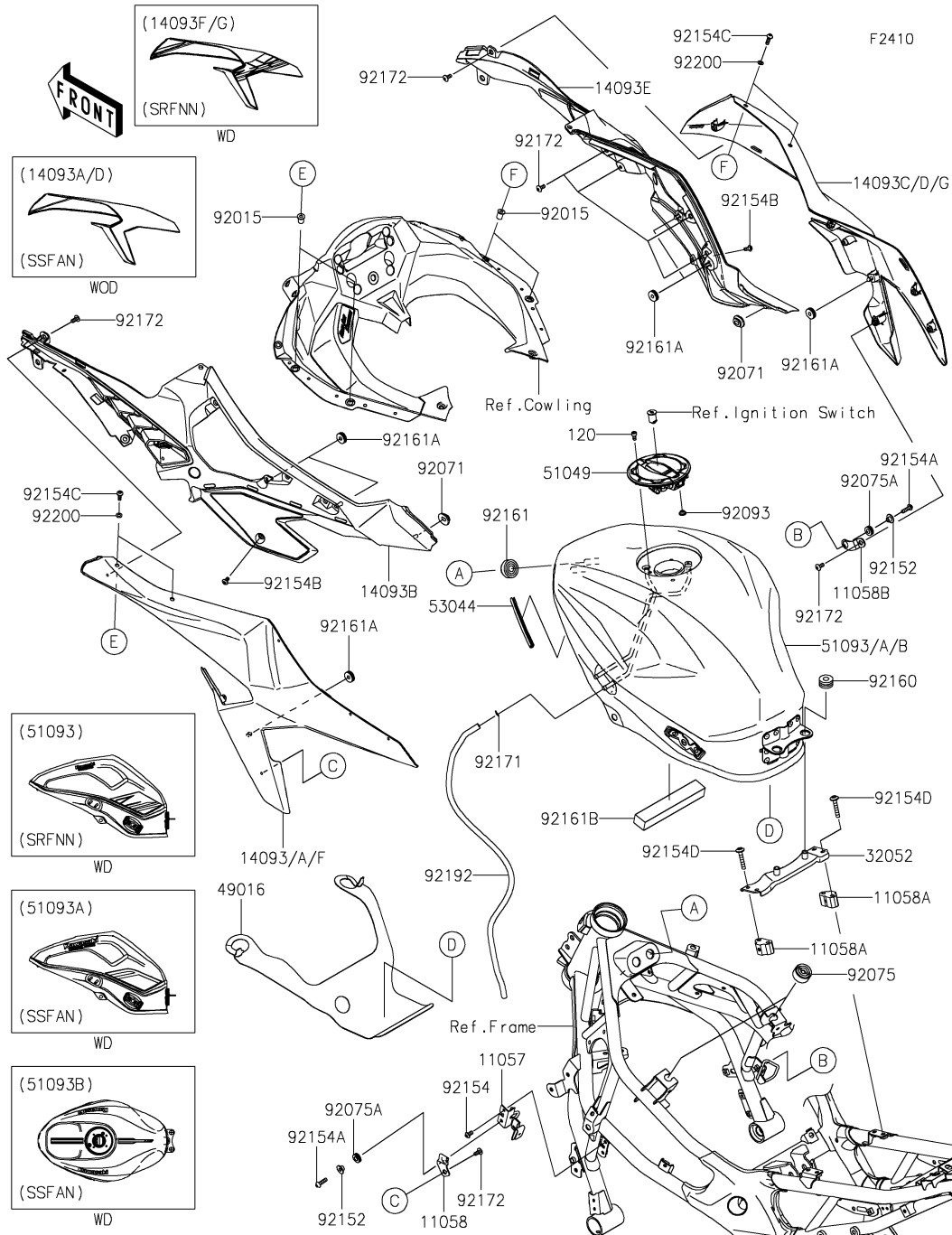
# '24-'25 ZX400 SRFNN/SSFAN

# 47. Front Fork



Ref. No.	Part No.	Description	Spec Code	Quantity			
				'24	'25		
				SRFNN	SSFAN		
11065	11065-1372	CAP,FORK	1	1			
11065A	11065-1410	CAP,FORK	1	1			
13116	13116-0753	ROD-PUSH	1	1			
13235	13235-0015	GUIDE-COMP	1	1			
16007	16007-0780	SEAT-SPRING	1	1			
32085	32085-0883	STOPPER	1	1			
32085A	32085-0884	STOPPER	1	1			
44008	44008-0092	PIPE-FORK OUTER	2	2			
44013	44013-0401	PIPE-FORK INNER,LH	1	1			
44013A	44013-0405	PIPE-FORK INNER,RH	1	1			
44023	44023-0184	CYLINDER-SET-FORK,RH	1	1			
44023A	44023-0191	CYLINDER-SET-FORK,LH	1	1			
44026	44026-0265	SPRING-FRONT FORK	1	1			
44026A	44026-0291	SPRING-FRONT FORK	1	1			
44026B	44026-0293	SPRING-FRONT FORK	1	1			
44037	44037-0194	HOLDER-FORK UNDER	1	1			
44039	44039-0196	HOLDER-FORK UPPER	1	1			
44065	44065-0069	BUSHING-FRONT FORK	2	2			
44065A	44065-0070	BUSHING-FRONT FORK	2	2			
44071	44071-1577	DAMPER-ASSY,FORK,LH	1	1			
44071A	44071-1590	DAMPER-ASSY,FORK,RH	1	1			
92026	92026-0905	SPACER	2	2			
92033	92033-0829	RING-SNAP	2	2			
92033A	92033-0830	RING-SNAP	1	1			
92033B	92033-1286	RING-SNAP	1	1			
92049	92049-0870	SEAL-OIL	2	2			
92055	92055-0994	RING-O	2	2			
92066	92066-0032	PLUG	1	1			
92093	92093-0789	SEAL,FORK OUTER	2	2			
92153	92153-0500	BOLT,SOCKET,8X30	2	2			
92153A	92153-0854	BOLT,SOCKET,8X35	4	4			
92154	92154-4220	BOLT	1	1			
92161	92161-2369	DAMPER	2	2			
92210	92210-1839	NUT	2	2			

# '24-'25 ZX400 SRFNN/SSFAN

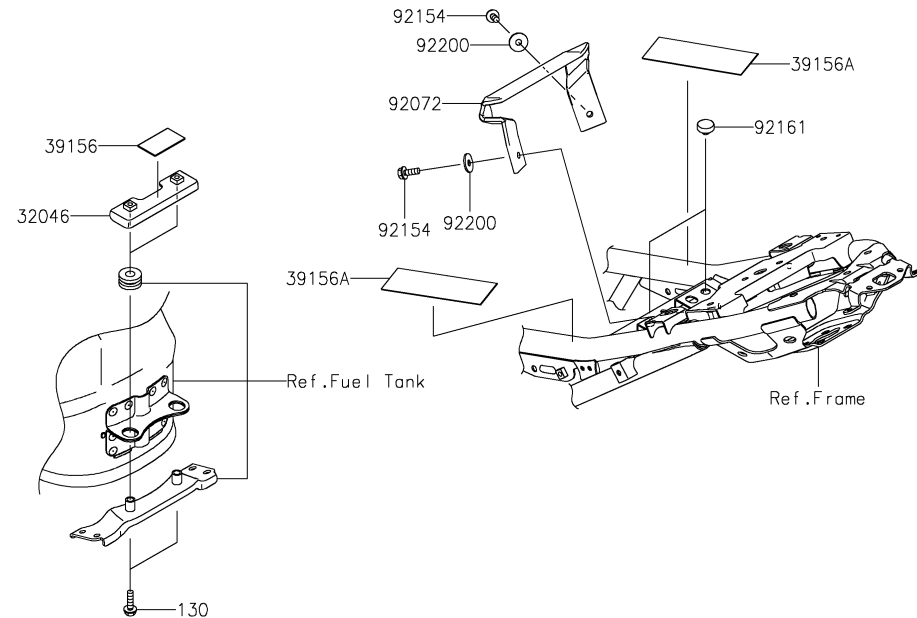
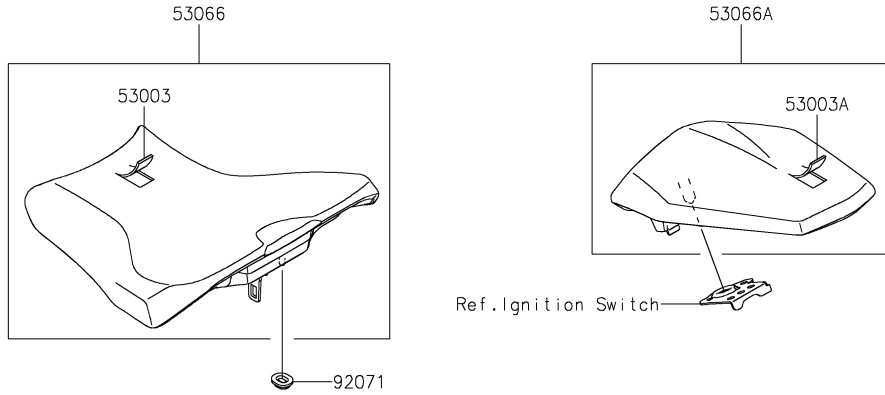


# 48. Fuel Tank

Ref. No.	Part No.	Description	Spec Code	Quantity			
				'24	'25		
				SRFNN	SSFAN		
11057	11057-2917	BRACKET,KNEE GRIP COVER		1	1		
11058	11058-0610	BRACKET,KNEE GRIP COVER,LH		1	1		
11058A	11058-1018	BRACKET		2	2		
11058B	11058-1068	BRACKET,KNEE GRIP COVER,RH		1	1		
14093	14093-0961-739	COVER,KNEE GRIP,OUTER,LH,BLACK				1	1
14093A	14093-0961-H8	COVER,KNEE GRIP,OUTER,LH,EBONY				1	1
14093B	14093-0962	COVER,KNEE GRIP,INNER,LH		1	1		
14093C	14093-0963-739	COVER,KNEE GRIP,OUTER,RH,BLACK				1	1
14093D	14093-0963-H8	COVER,KNEE GRIP,OUTER,RH,EBONY				1	1
14093E	14093-0964	COVER,KNEE GRIP,INNER,RH		1	1		
14093F	14093-5404-H8	COVER,KNEE GRIP,OUTER,LH,EBONY		1			
14093G	14093-5453-H8	COVER,KNEE GRIP,OUTER,RH,EBONY		1			
32052	32052-0824	BRACKET-TANK		1	1		
49016	49016-0702	COVER-SEAL		1	1		
51049	51049-0756	CAP-TANK,FUEL		1	1		
51093	51093-5280-777	TANK-COMP-FUEL,L.GREEN		1			
51093A	51093-5400-777	TANK-COMP-FUEL,L.GREEN				1	1
51093B	51093-5407-53U	TANK-COMP-FUEL,M.M.G.GRAY				1	1
53044	53044-0627	TRIM,105MM		1	1		
92015	92015-1757	NUT,WELL,5MM		4	4		
92071	92071-0766	GROMMET,20X24X7.5		2	2		
92075	92075-015	DAMPER		2	2		
92075A	92075-161	DAMPER		2	2		
92093	92093-1030	SEAL,FUEL TANK CAP		1	1		
92152	92152-0017	COLLAR		2	2		
92154	92154-1691	BOLT,SOCKET,5X10		1	1		
92154A	92154-2107	BOLT,SOCKET,5X18		2	2		
92154B	92154-2548	BOLT,SOCKET,5X10		2	2		
92154C	92154-4294	BOLT,SOCKET,5X16		4	4		
92154D	92154-4487	BOLT,SOCKET,6X30		4	4		
92160	92160-1162	DAMPER		2	2		
92161	92161-1791	DAMPER,10X32X8		2	2		
92161A	92161-1911	DAMPER,6X19X5.6		6	6		
92161B	92161-2305	DAMPER,150X25X20		1	1		
92171	92171-1973	CLAMP,8X0.7		1	1		
92172	92172-0821	SCREW,5X12		12	12		
92192	92192-2278	TUBE,DRAIN,1.5X6X685		1	1		
92200	92200-1730	WASHER,5.2X10X0.5		4	4		
120	120CA0512	BOLT-SOCKET,5X12		4	4		

# '24-'25 ZX400 SRFNN/SSFAN

F2510



## 49. Seat

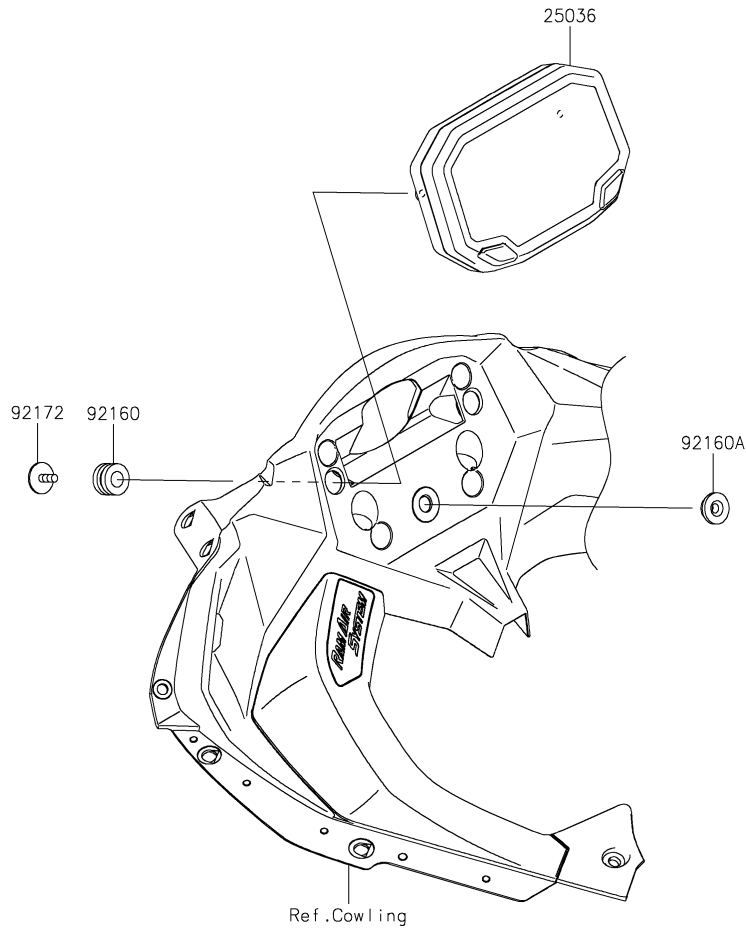
Ref. No.	Part No.	Description	Spec Code	Quantity			
				'24	'25		
					SRFNN	SSFAN	
32046	32046-0453	BRACKET-SEAT		1	1		
39156	39156-2607	PAD,45X26X1		1	1		
39156A	39156-2835	PAD,130X35X1		2	2		
53003	53003-0531-MA	LEATHER,FR SEAT,BLACK		1	1		
53003A	53003-0537-MA	LEATHER,RR SEAT,BLACK		1	1		
53066	53066-0670-MA	SEAT-ASSY,FR,BLACK		1	1		
53066A	53066-0671-MA	SEAT-ASSY,RR,BLACK		1	1		
92071	92071-0766	GROMMET,20X24X7.5		1	1		
92072	92072-0861-MA	BAND,SEAT,BLACK		1	1		
92154	92154-2900	BOLT,FLANGED,6X16		2	2		
92161	92161-1473	DAMPER,9.5X18X6		2	2		
92200	92200-1962	WASHER,6.5X20X1.6		2	2		
130	130CA0622	BOLT-FLANGED,6X22		2	2		



# '24-'25 ZX400 SRFNN/SSFAN

# 50. Meter(s)

F2530

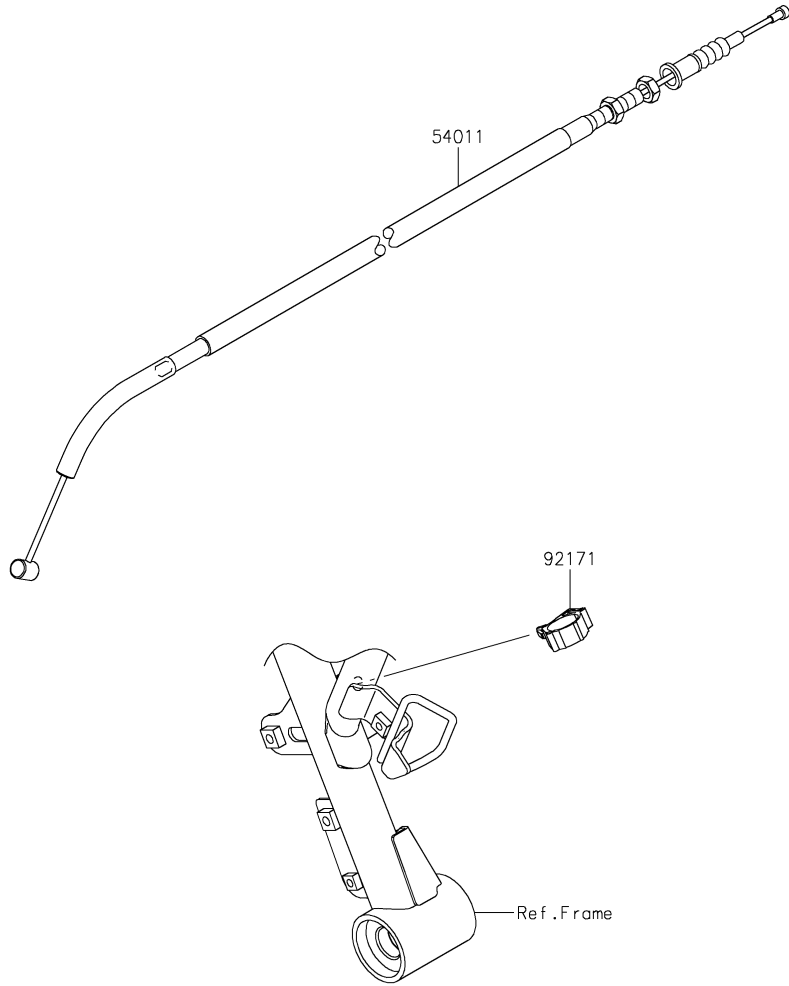


Ref. No.	Part No.	Description	Spec Code	Quantity			
				'24	'25		
				SRFNN	SSFAN		
25036	25036-0134	METER-ASSY,TFT DISPLAY		1	1		
92160	92160-1167	DAMPER,10X20X12		2	2		
92160A	92160-1613	DAMPER		1	1		
92172	92172-1226	SCREW,CROSS,5X14		2	2		

# '24-'25 ZX400 SRFNN/SSFAN

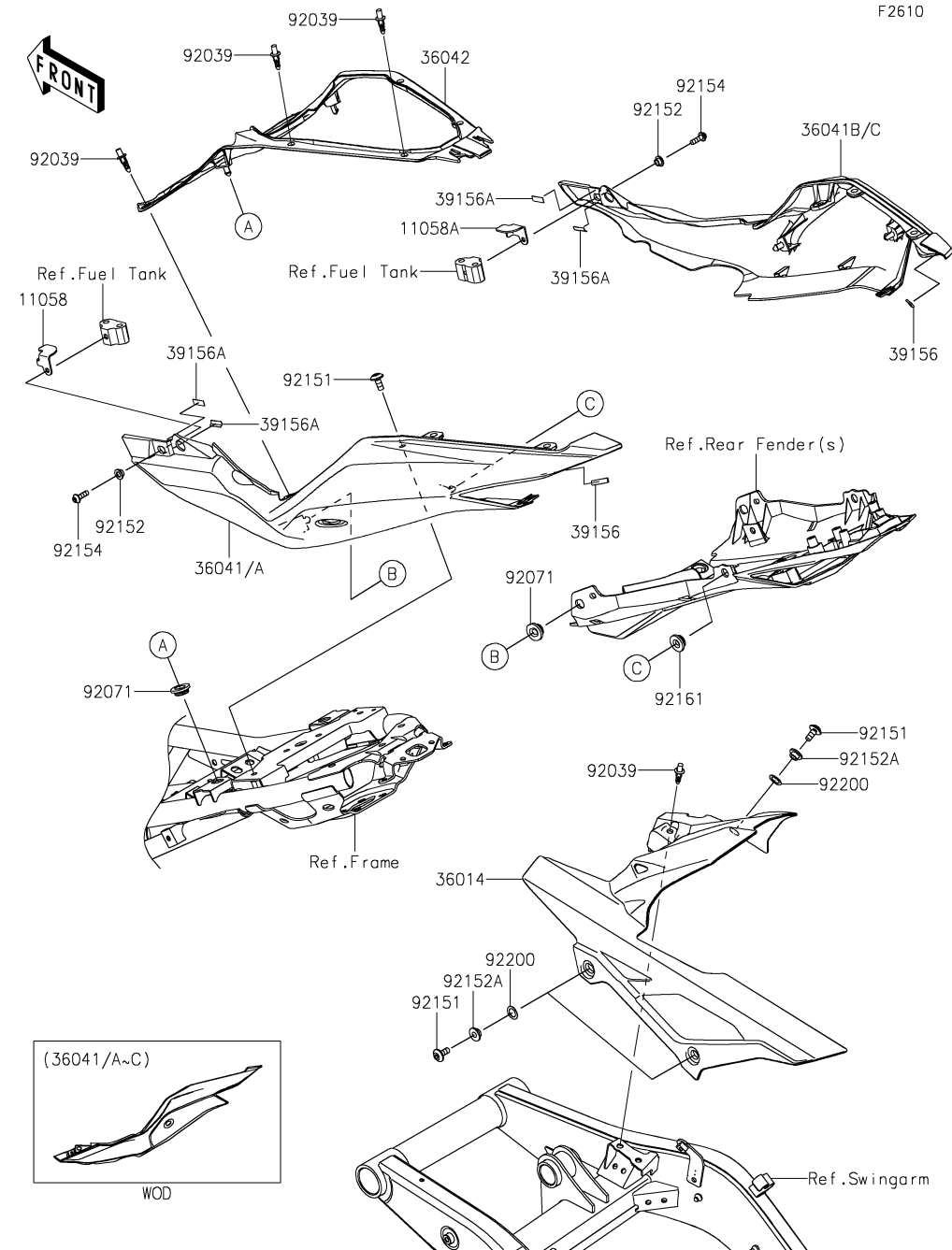
# 51. Cables

F2540



Ref. No.	Part No.	Description	Spec Code	Quantity			
				'24	'25		
				SRFNN	SSFAN		
54011	54011-0661	CABLE-CLUTCH		1	1		
92171	92171-0316	CLAMP,BRAKE HOSE		1	1		

# '24-'25 ZX400 SRFNN/SSFAN

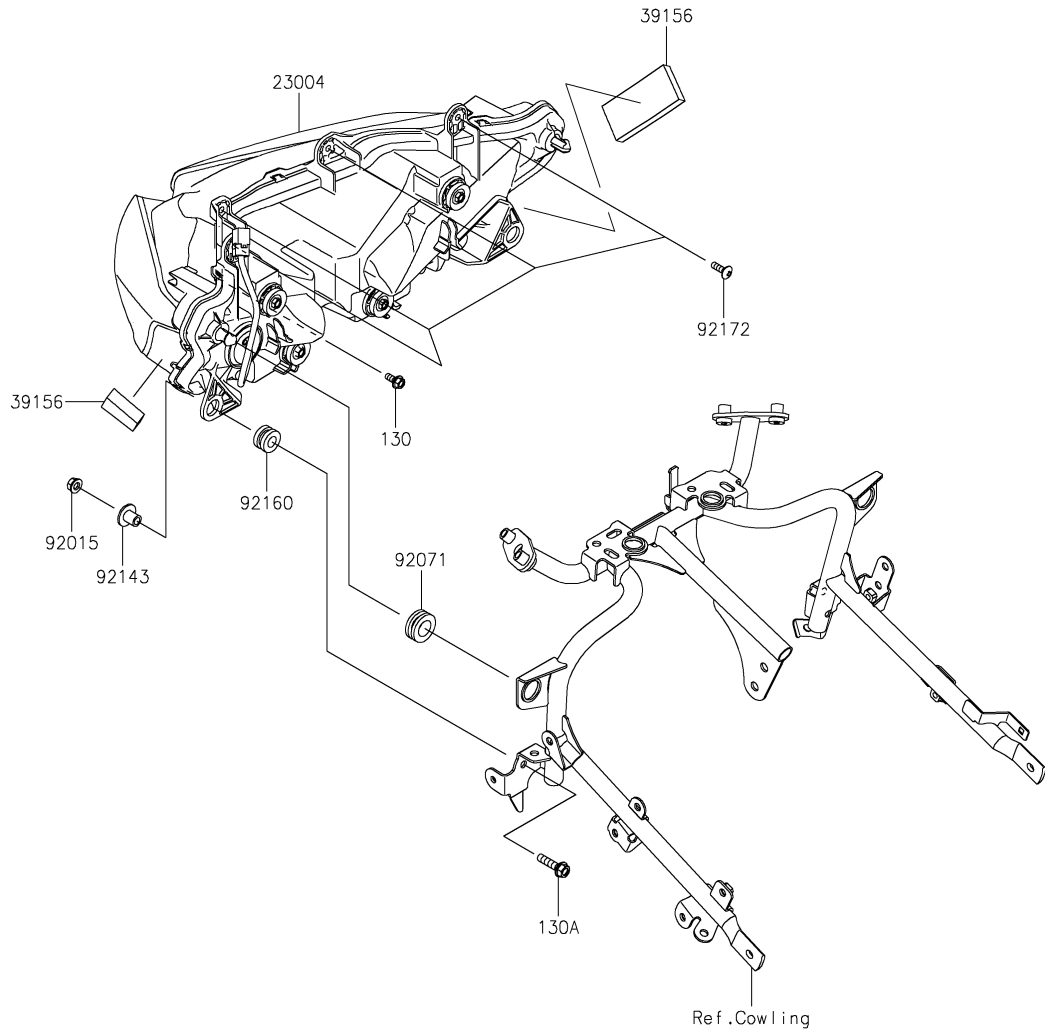


## 52. Side Covers/Chain Cover

Ref. No.	Part No.	Description	Spec Code	Quantity			
				'24	'25		
				SRFNN	SSFAN		
11058	11058-1019	BRACKET,KNEE GRIP COVER,LH	1	1			
11058A	11058-1020	BRACKET,KNEE GRIP COVER,RH	1	1			
36014	36014-0573	CASE-CHAIN	1	1			
36041	36041-0054-63Y	COVER-TAIL,LH,M.M.D.GREEN		1			
36041A	36041-0054-777	COVER-TAIL,LH,L.GREEN	1	1			
36041B	36041-0055-63Y	COVER-TAIL,RH,M.M.D.GREEN		1			
36041C	36041-0055-777	COVER-TAIL,RH,L.GREEN	1	1			
36042	36042-0012	COVER-TAIL,CNT	1	1			
39156	39156-2117	PAD,5X20X2	2	2			
39156A	39156-2688	PAD,18X6X0.41	4	4			
92039	92039-0709	RIVET	7	7			
92071	92071-0766	GROMMET,20X24X7.5	4	4			
92151	92151-1654	BOLT,SOCKET,6X14	5	5			
92152	92152-2339	COLLAR,5.6X8X5	2	2			
92152A	92152-2486	COLLAR,6.5X10X5.9	3	3			
92154	92154-4294	BOLT,SOCKET,5X16	2	2			
92161	92161-1531	DAMPER	2	2			
92200	92200-2525	WASHER,10.4X15.9X0.5	3	3			

# '24-'25 ZX400 SRFNN/SSFAN

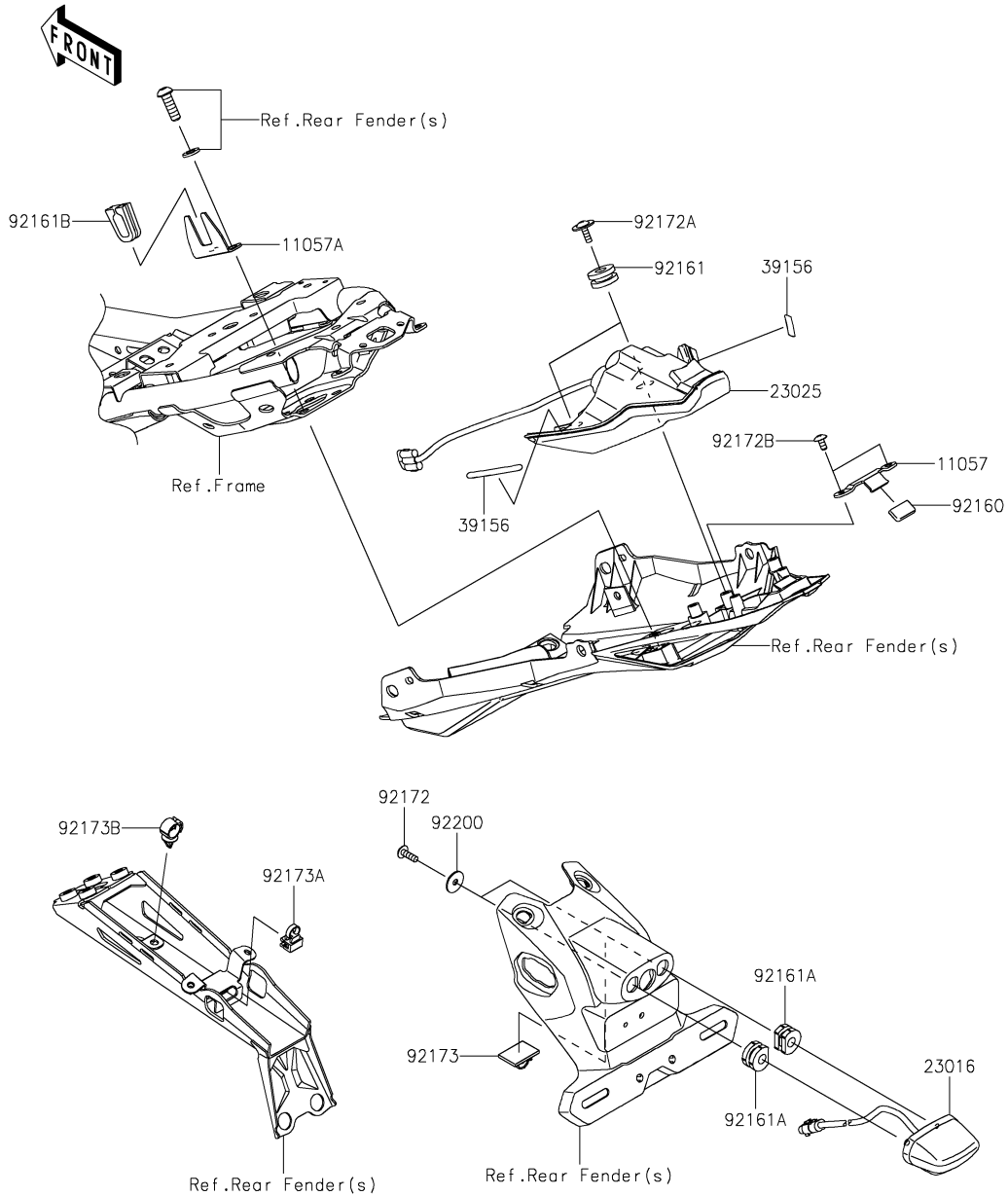
F2710



## 53. Headlight(s)

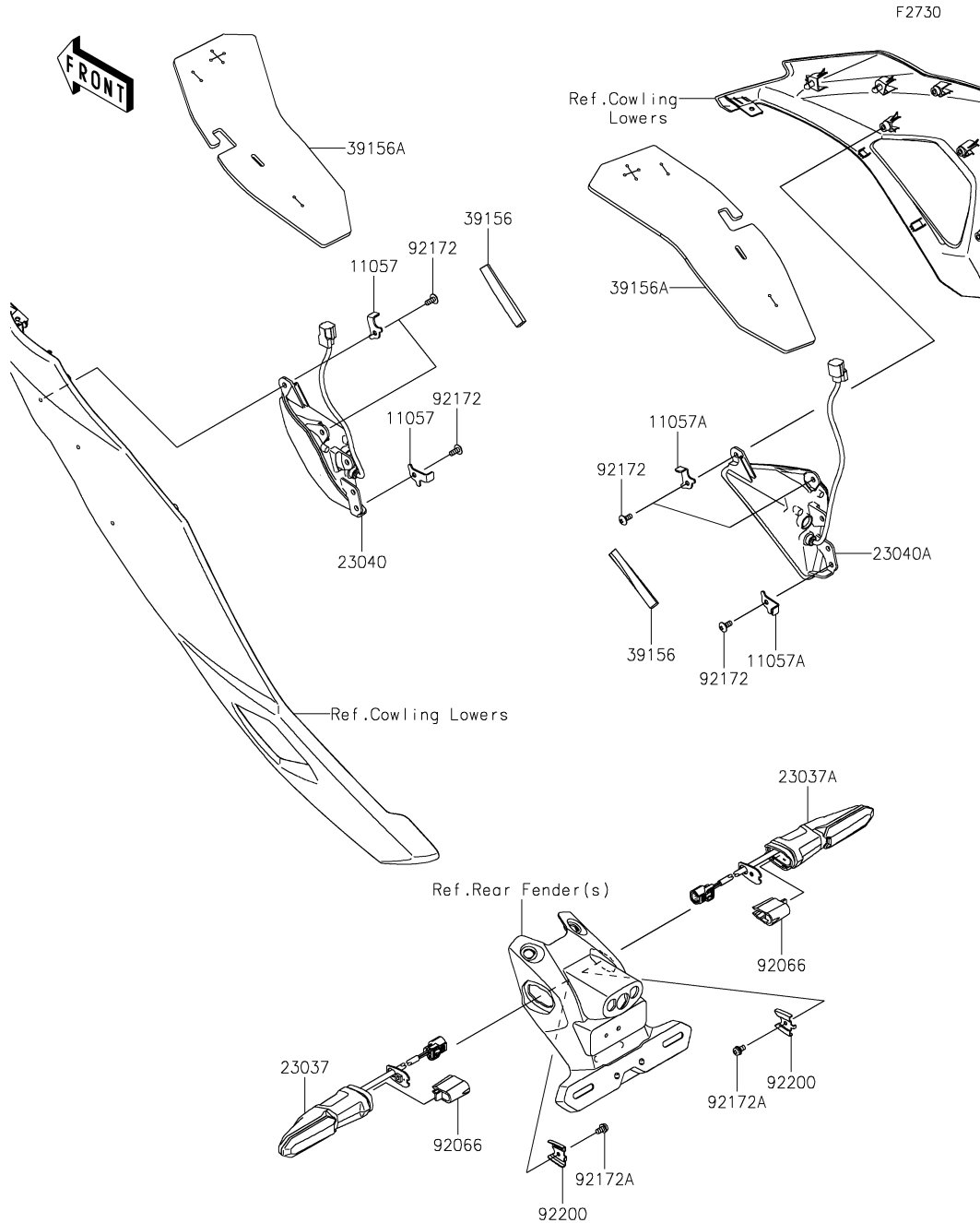
Ref. No.	Part No.	Description	Spec Code	Quantity			
				'24	'25		
				SRFNN	SSFAN		
23004	23004-0423	LAMP-HEAD,LED		1	1		
39156	39156-2804	PAD,70X40X10		2	2		
92015	92015-1367	NUT,FLANGED,6MM		2	2		
92071	92071-1131	GROMMET		2	2		
92143	92143-1353	COLLAR		2	2		
92160	92160-1167	DAMPER,10X20X12		2	2		
92172	92172-0427	SCREW,TAPPING,5X16		4	4		
130	130BA0512	BOLT-FLANGED,5X12		1	1		
130A	130BA0625	BOLT-FLANGED,6X25		2	2		

F2720



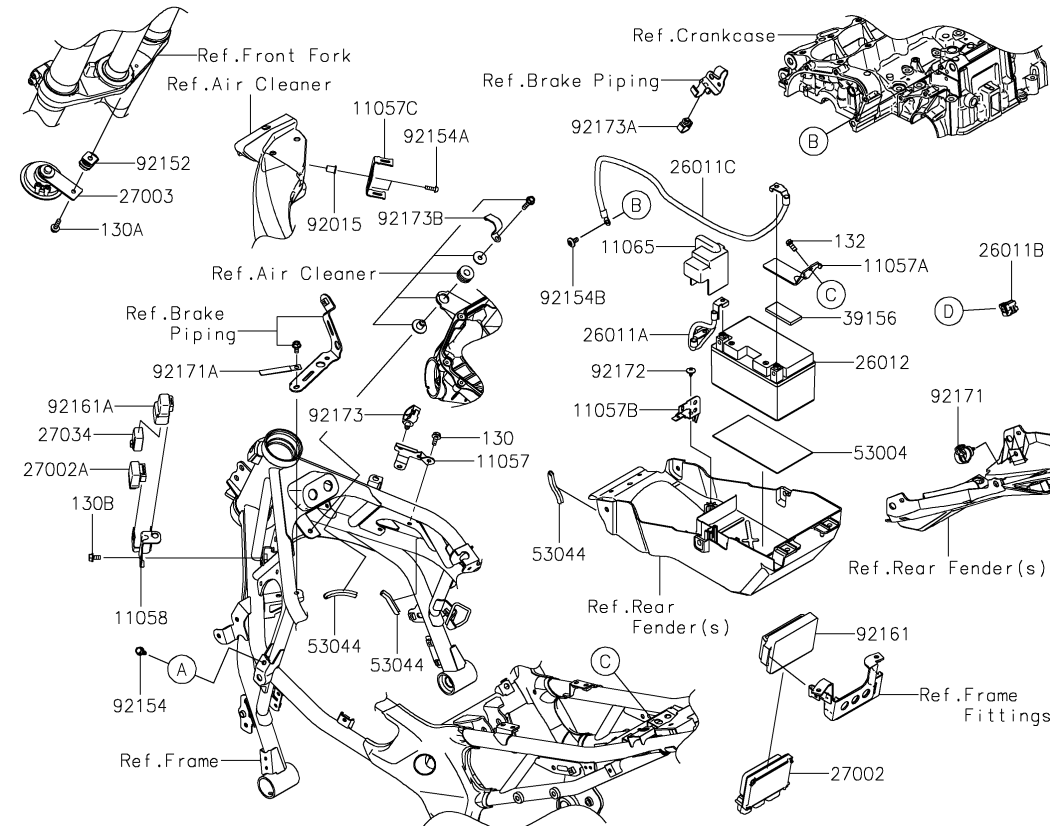
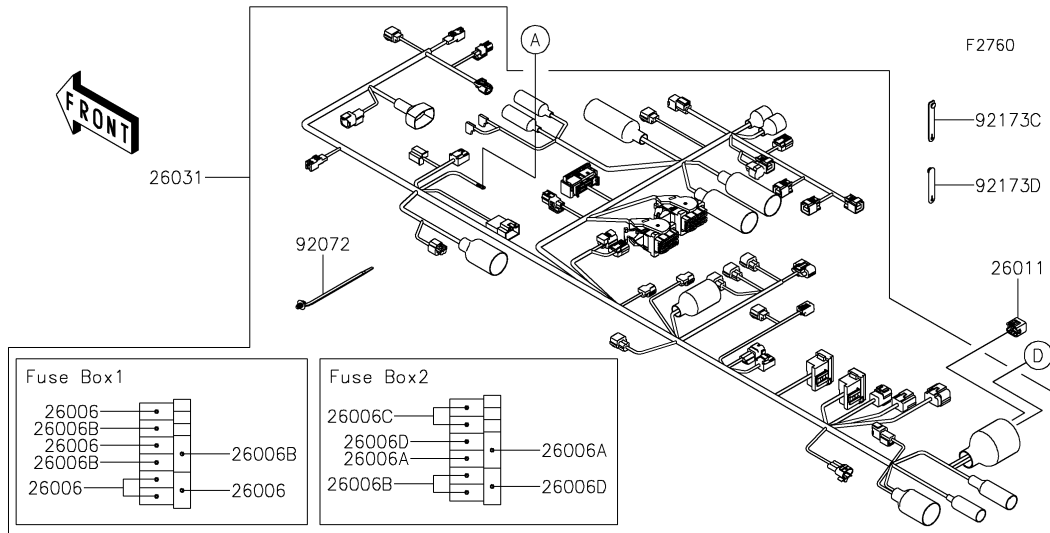
### 54. Taillight(s)

Ref. No.	Part No.	Description	Spec Code	Quantity			
				'24	'25		
				SRFNN	SSFAN		
11057	11057-1214	BRACKET		1	1		
11057A	11057-7802	BRACKET		1	1		
23016	23016-0637	LAMP-ASSY,LICENSE,LED		1	1		
23025	23025-0400	LAMP-TAIL,LED		1	1		
39156	39156-2421	PAD,6X50		2	2		
92160	92160-1190	DAMPER		1	1		
92161	92161-0163	DAMPER		2	2		
92161A	92161-0776	DAMPER		2	2		
92161B	92161-1984	DAMPER,RR FENDER		1	1		
92172	92172-0427	SCREW,TAPPING,5X16		2	2		
92172A	92172-1215	SCREW,5X16		2	2		
92172B	92172-1255	SCREW,CROS,5X10		2	2		
92173	92173-1061	CLAMP		1	1		
92173A	92173-1578	CLAMP		1	1		
92173B	92173-1951	CLAMP		1	1		
92200	92200-0585	WASHER,5.5X20X1.2		2	2		



Ref. No.	Part No.	Description	Spec Code	Quantity			
				'24	'25		
				SRFNN	SSFAN		
11057	11057-4176	BRACKET,FR SIGNAL LAMP,LH	2	2			
11057A	11057-4177	BRACKET,FR SIGNAL LAMP,RH	2	2			
23037	23037-0573	LAMP-ASSY-SIGNAL,LED,RR,LH	1	1			
23037A	23037-0574	LAMP-ASSY-SIGNAL,LED,RR,RH	1	1			
23040	23040-0157	LAMP-SIGNAL,LED,FR,LH	1	1			
23040A	23040-0158	LAMP-SIGNAL,LED,FR,RH	1	1			
39156	39156-2381	PAD,10X80X10	2	2			
39156A	39156-2776	PAD	2	2			
92066	92066-0919	PLUG,SIGNAL LAMP	2	2			
92172	92172-0821	SCREW,5X12	6	6			
92172A	92172-1426	SCREW-PAN-WP-CROS,4X8	2	2			
92200	92200-2421	WASHER	2	2			

# '24-'25 ZX400 SRFNN/SSFAN

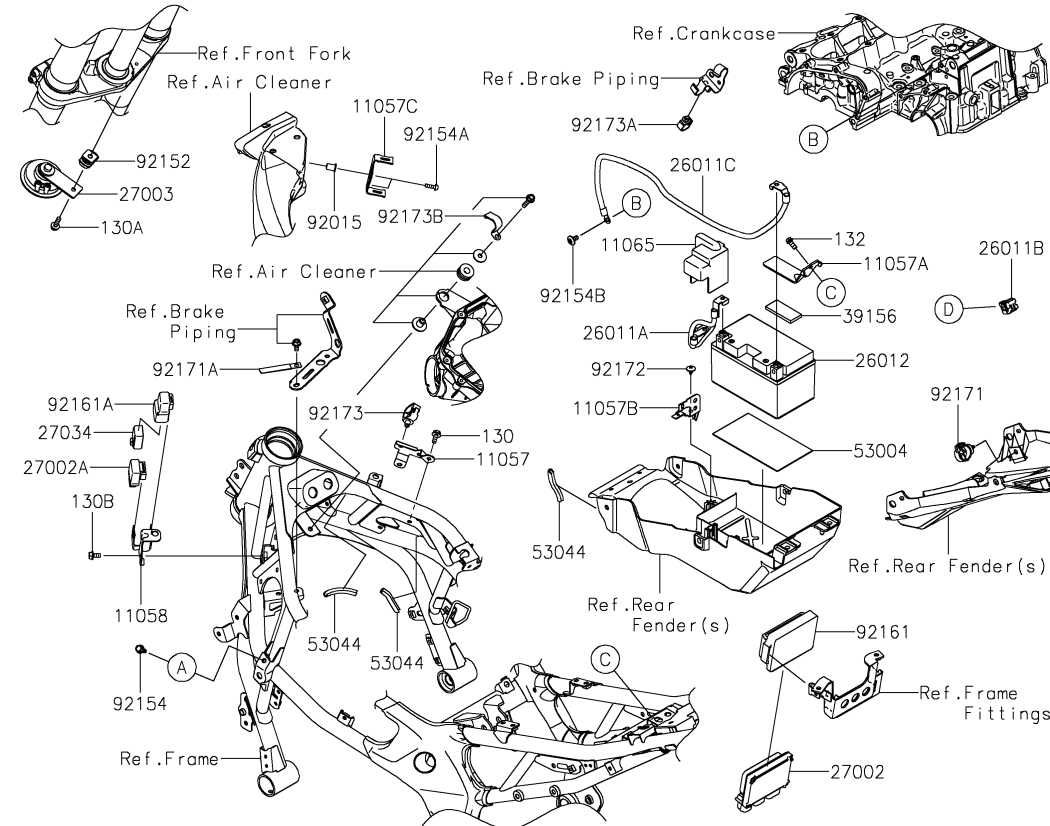
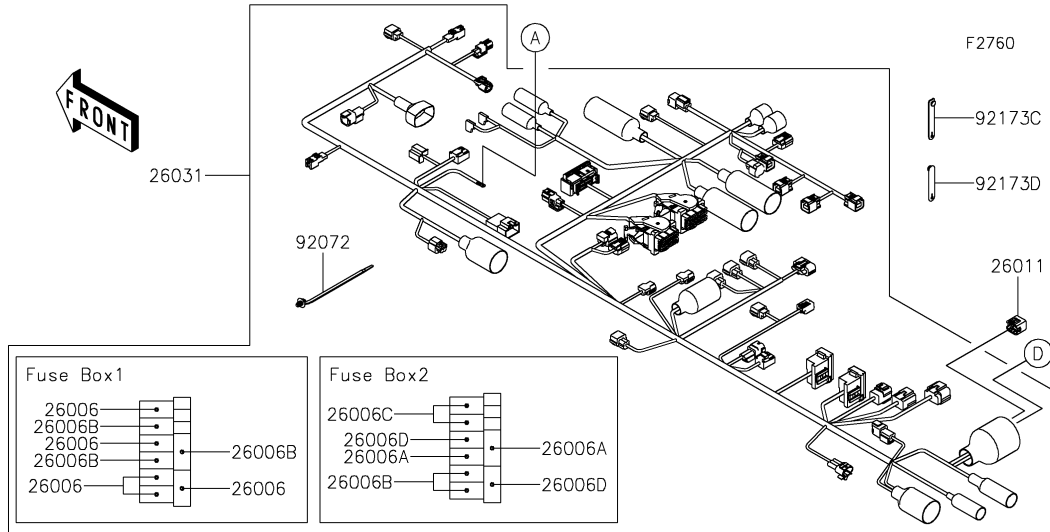


## 56. Chassis Electrical Equipment

Ref. No.	Part No.	Description	Spec Code	Quantity			
				'24	'25		
			SRFNN	SSFAN			
11057	11057-2877	BRACKET,FRAME,RH	1	1			
11057A	11057-2926	BRACKET,BATTERY MOUNT	1	1			
11057B	11057-7041	BRACKET,RR FENDER	1	1			
11057C	11057-7584	BRACKET,IMMOBILIZER	1	1			
11058	11058-0349	BRACKET,RELAY	1	1			
11065	11065-1352	CAP,MAGNETIC SWITCH	1	1			
26006	26006-0001	FUSE,MINI BLADE,15A,BLUE	5	5			
26006A	26006-1077	FUSE,MINI BLADE,5A,TAN	2	2			
26006B	26006-1078	FUSE,MINI BLADE,10A,RED	5	5			
26006C	26006-1079	FUSE,MINI BLADE,20A,YELLOW	2	2			
26006D	26006-1080	FUSE,MINI BLADE,30A,GREEN	2	2			
26011	26011-0275	WIRE-LEAD,CONNECTOR COVER	1	1			
26011A	26011-1896	WIRE-LEAD,BATTERY(+)	1	1			
26011B	26011-1901	WIRE-LEAD,DIAG CONNECTOR	1	1			
26011C	26011-2425	WIRE-LEAD,BATTERY(-)	1	1			
26012	26012-1606	BATTERY,YTZ10,12V 8.6AH	1	1			
26031	26031-4112	HARNES,MAIN	1	1			
27002	27002-0061	RELAY-ASSY	1	1			
27002A	27002-0068	RELAY-ASSY,SIGNAL LAMP	1	1			
27003	27003-0124	HORN	1	1			
27034	27034-0012	RELAY	1	1			
39156	39156-2808	PAD,56X25X5	1	1			
53004	53004-0560	MAT,BATTERY	1	1			
53044	53044-0565	TRIM	3	3			
92015	92015-1757	NUT,WELL,5MM	2	2			
92072	92072-1414	BAND,OS170-FT7(BLACK)	AR	AR			
92152	92152-2657	COLLAR	1	1			
92154	92154-0551	BOLT,FLANGED,6X16	1	1			
92154A	92154-1701	BOLT,SOCKET,5X16	2	2			
92154B	92154-2355	BOLT,SOCKET,6X12	1	1			
92161	92161-0203	DAMPER,RELAY BOX	1	1			
92161A	92161-2290	DAMPER	1	1			
92171	92171-0068	CLAMP,CLIP,DIA=20	1	1			
92171A	92171-0652	CLAMP,L=60	1	1			
92172	92172-0003	SCREW,TAPPING,6X12	1	1			
92173	92173-0861	CLAMP	1	1			
92173A	92173-0868	CLAMP,HOLDER CLIP	1	1			
92173B	92173-1549	CLAMP	1	1			
92173C	92173-2194	CLAMP	1	1			
92173D	92173-2199	CLAMP	2	2			

# '24-'25 ZX400 SRFNN/SSFAN

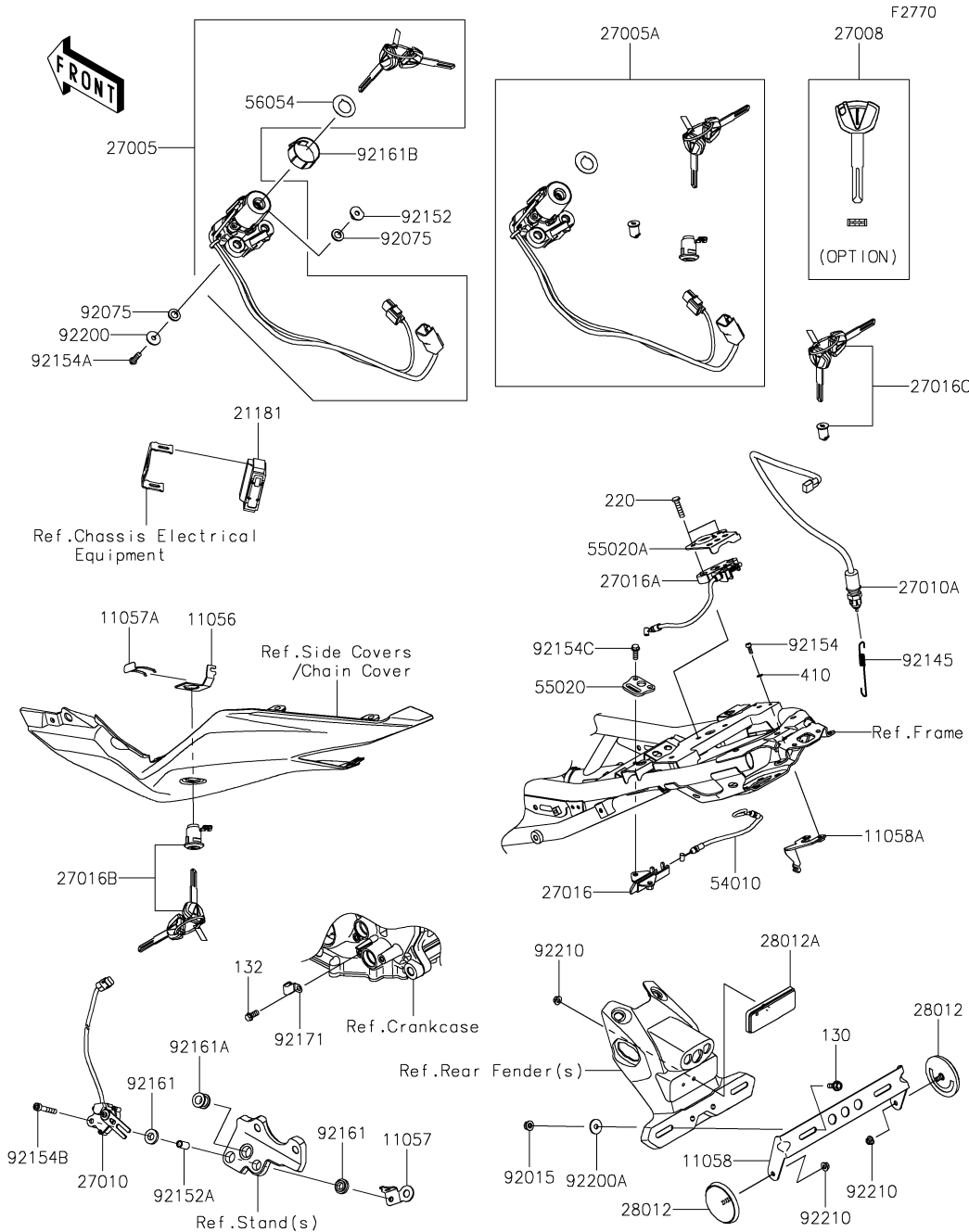
# 56-1. Chassis Electrical Equipment



Ref. No.	Part No.	Description	Spec Code	Quantity			
				'24	'25		
				SRFNN	SSFAN		
130	130BA0614	BOLT-FLANGED,6X14		2	2		
130A	130BA0620	BOLT-FLANGED,6X20		1	1		
130B	130CA0612	BOLT-FLANGED,6X12		1	1		
132	132BC0614	BOLT-FLANGED-SMALL,6X14		1	1		



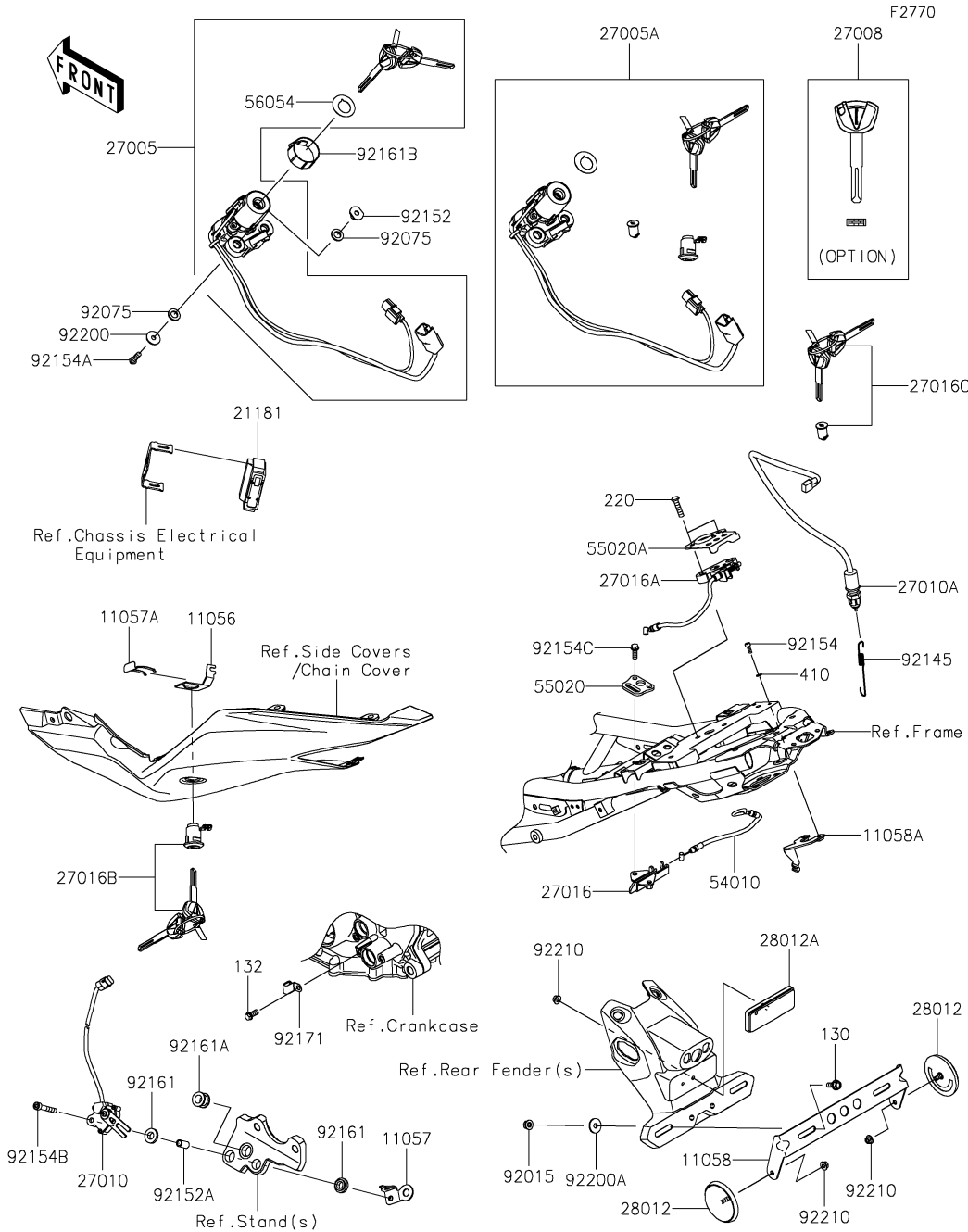
# '24-'25 ZX400 SRFNN/SSFAN



# 57. Ignition Switch

Ref. No.	Part No.	Description	Spec Code	Quantity			
				'24	'25		
				SRFNN	SSFAN		
11056	11056-2119	BRACKET,SEAT LOCK	1	1			
11057	11057-7089	BRACKET,SIDE STAND SWITCH	1	1			
11057A	11057-7740	BRACKET,SEAT LOCK,UPP	1	1			
11058	11058-0625	BRACKET,RR SIDE REFLECTOR	1	1			
11058A	11058-1021	BRACKET,SEAT LOCK CABLE	1	1			
21181	21181-0029	AMPLIFIER,IMMOBI	1	1			
27005	27005-0715	SWITCH-ASSY-IGNITION	1	1			
27005A	27005-5196	SWITCH-ASSY-IGNITION	1	1			
27008	27008-0661	KEY-LOCK,BLANK (OPTION)	1	1			
27010	27010-0097	SWITCH,SIDE STAND	1	1			
27010A	27010-0863	SWITCH,STOP	1	1			
27016	27016-0008	LOCK-ASSY,SEAT STRIKER	1	1			
27016A	27016-0093	LOCK-ASSY,SEAT STRIKER	1	1			
27016B	27016-5424	LOCK-ASSY,SEAT	1	1			
27016C	27016-5425	LOCK-ASSY,TANK CAP	1	1			
28012	28012-0002	REFLECTOR-REFLEX	2	2			
28012A	28012-1077	REFLECTOR-REFLEX	1	1			
54010	54010-0641	CABLE	1	1			
55020	55020-2246	GUARD,SEAT STRIKER	1	1			
55020A	55020-2404	GUARD	1	1			
56054	56054-2946	MARK,IGNITION SWITCH	1	1			
92015	92015-1367	NUT,FLANGED,6MM	2	2			
92075	92075-1564	DAMPER	4	4			
92145	92145-0683	SPRING,BRAKE LAMP SWITCH	1	1			
92152	92152-1971	COLLAR,6X9X10.6	2	2			
92152A	92152-2274	COLLAR,6.5X9.5X17	1	1			
92154	92154-0039	BOLT,SOCKET,4X10	2	2			
92154A	92154-0377	BOLT,TORX,6X20	2	2			
92154B	92154-0505	BOLT,SOCKET,6X40	1	1			
92154C	92154-3869	BOLT,FLANGED-SMALL,6X16,TB2468	2	2			
92161	92161-0117	DAMPER	2	2			
92161A	92161-0118	DAMPER	1	1			
92161B	92161-2336	DAMPER	1	1			
92171	92171-0534	CLAMP	1	1			
92200	92200-0780	WASHER,6X20X1.6	2	2			
92200A	92200-1962	WASHER,6.5X20X1.6	2	2			
92210	92210-0007	NUT,FLANGED,5MM	3	3			
130	130BA0616	BOLT-FLANGED,6X16	2	2			
132	132BC0614	BOLT-FLANGED-SMALL,6X14	1	1			

# '24-'25 ZX400 SRFNN/SSFAN

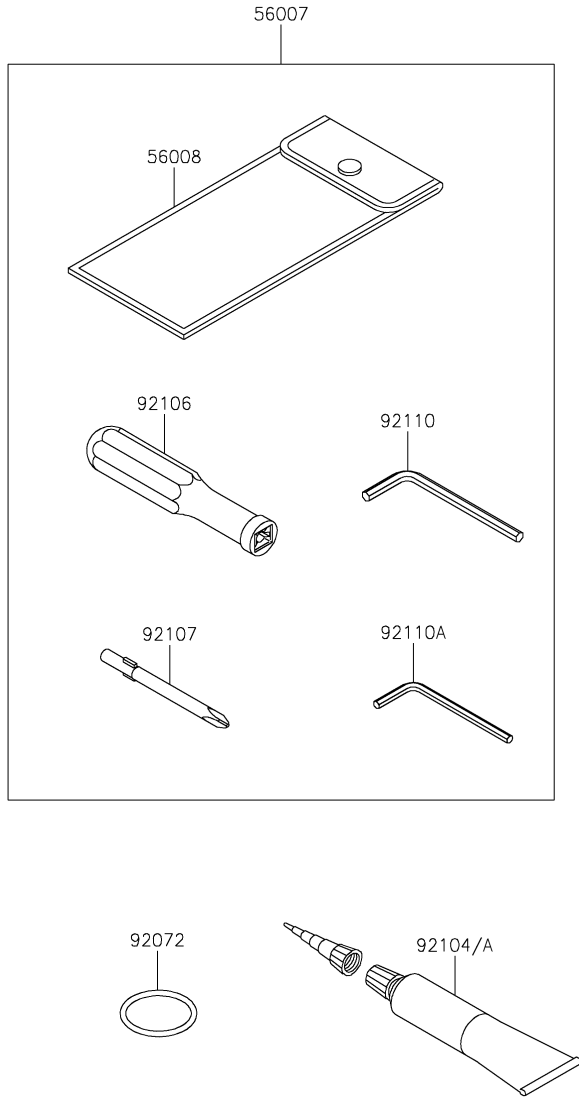


# 57-1. Ignition Switch

Ref. No.	Part No.	Description	Spec Code	Quantity			
				'24	'25		
				SRFNN	SSFAN		
220	220AC0625	SCREW-PAN-CROS,6X25		2	2		
410	410AB0400	W-PLAIN-S,4MM		2	2		

# '24-'25 ZX400 SRFNN/SSFAN

F2810

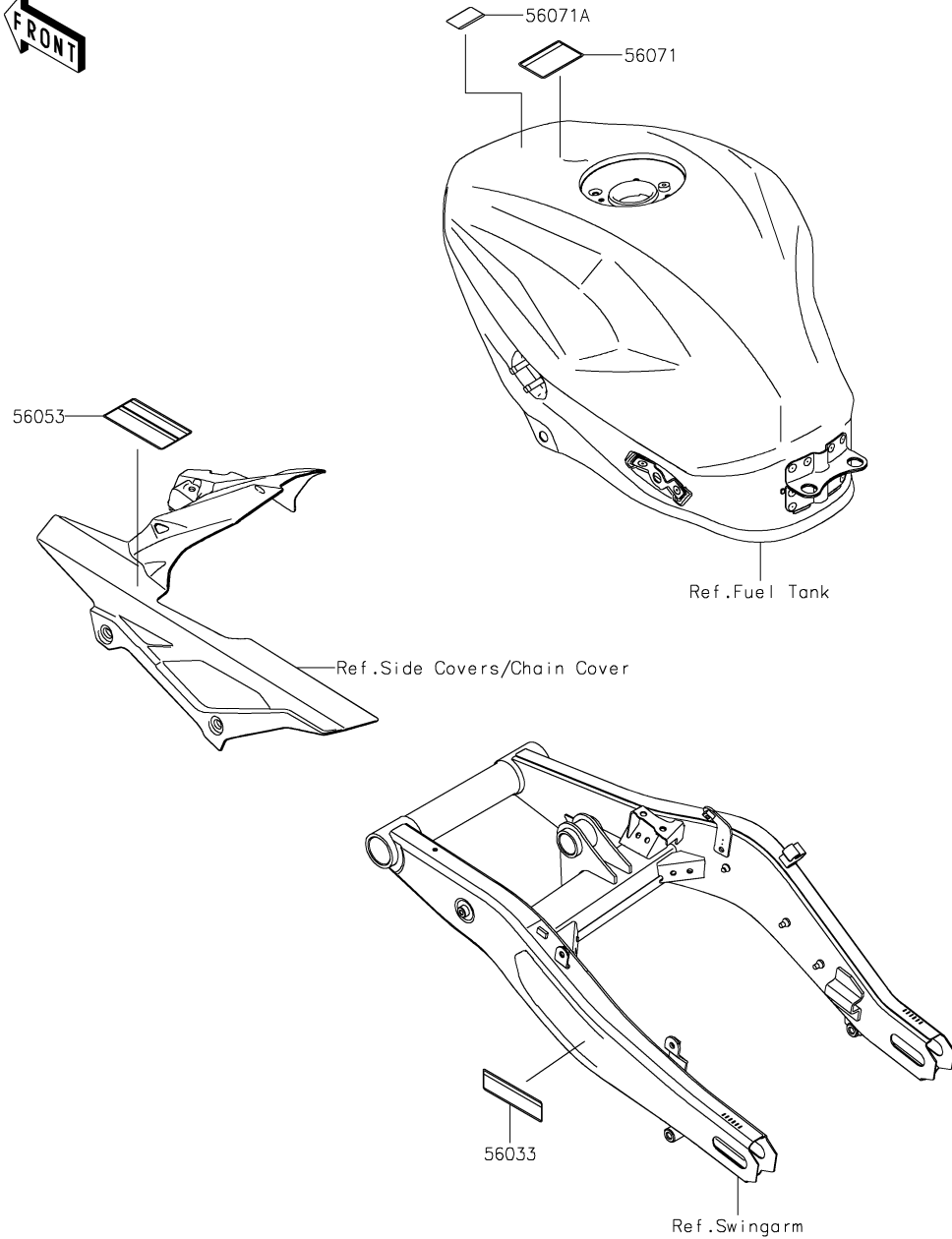


## 58. Owner's Tools

Ref. No.	Part No.	Description	Spec Code	Quantity			
				'24	'25		
				SRFNN	SSFAN		
56007	56007-0168	TOOL-KIT		1	1		
56008	56008-0036	BAG,TOOL		1	1		
92072	92072-0874	BAND		1	1		
92104	92104-0004	GASKET-LIQUID,TB1211F,CLEAR		1	1		
92104A	92104-1064	GASKET-LIQUID,TB1216B,BLACK		1	1		
92106	92106-0004	GRIP-SCREW DRIVER		1	1		
92107	92107-0020	TOOL-DRIVER,#2PHILLIPS		1	1		
92110	92110-0566	TOOL-WRENCH,ALLEN,5MM		1	1		
92110A	92110-0567	TOOL-WRENCH,ALLEN,4MM		1	1		

# '24-'25 ZX400 SRFNN/SSFAN

F2860

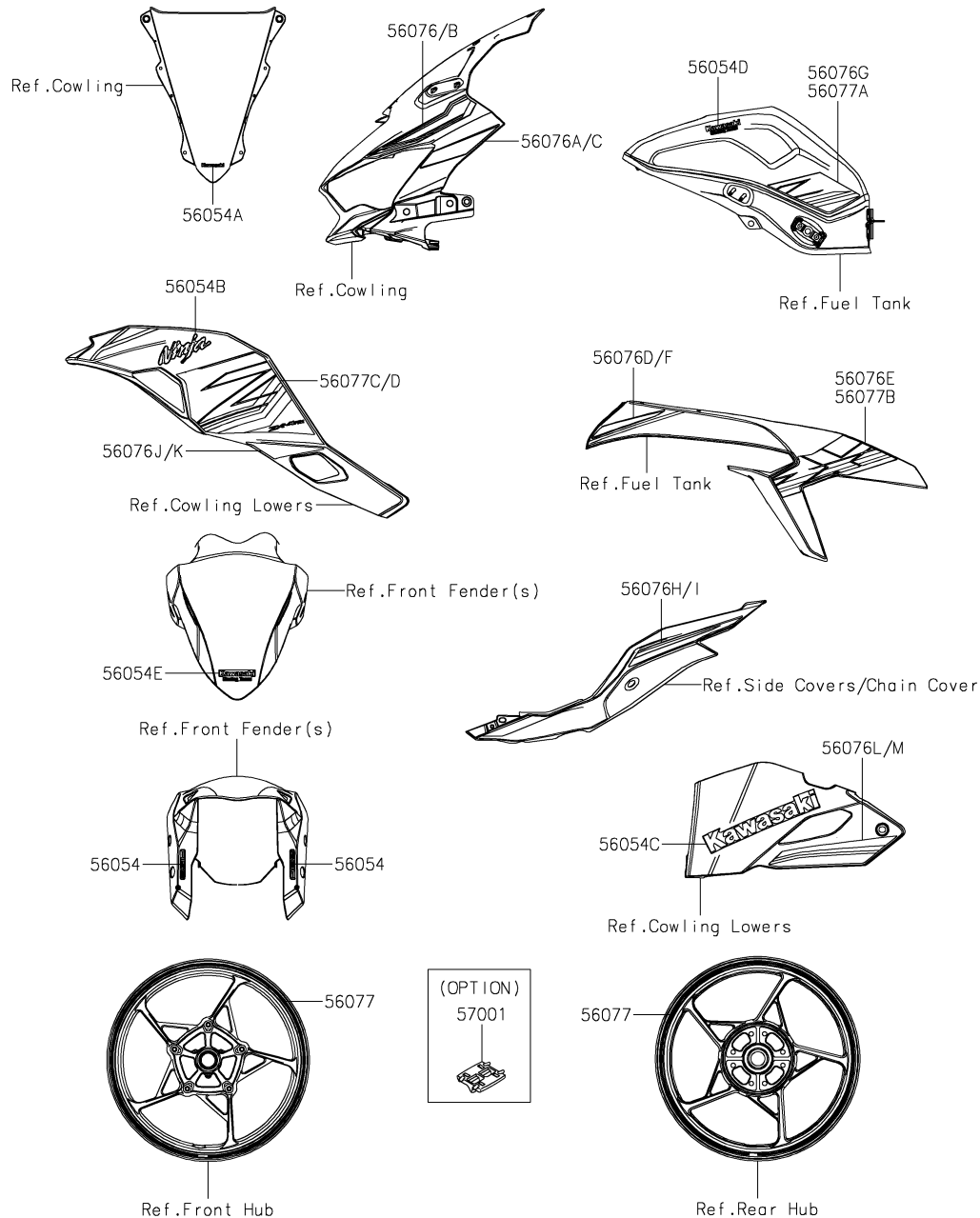


## 59. Labels

Ref. No.	Part No.	Description	Spec Code	Quantity			
				'24	'25		
				SRFNN	SSFAN		
56033	56033-1384	LABEL-MANUAL,CHAIN		1	1		
56053	56053-1978	LABEL-SPECIFICATION,TIRE&LOAD		1	1		
56071	56071-0158	LABEL-WARNING,EVAPO		1	1		
56071A	56071-0695	LABEL-WARNING,FUEL,E5/E10		1	1		

# '24-'25 ZX400 SRFNN/SSFAN

F2861

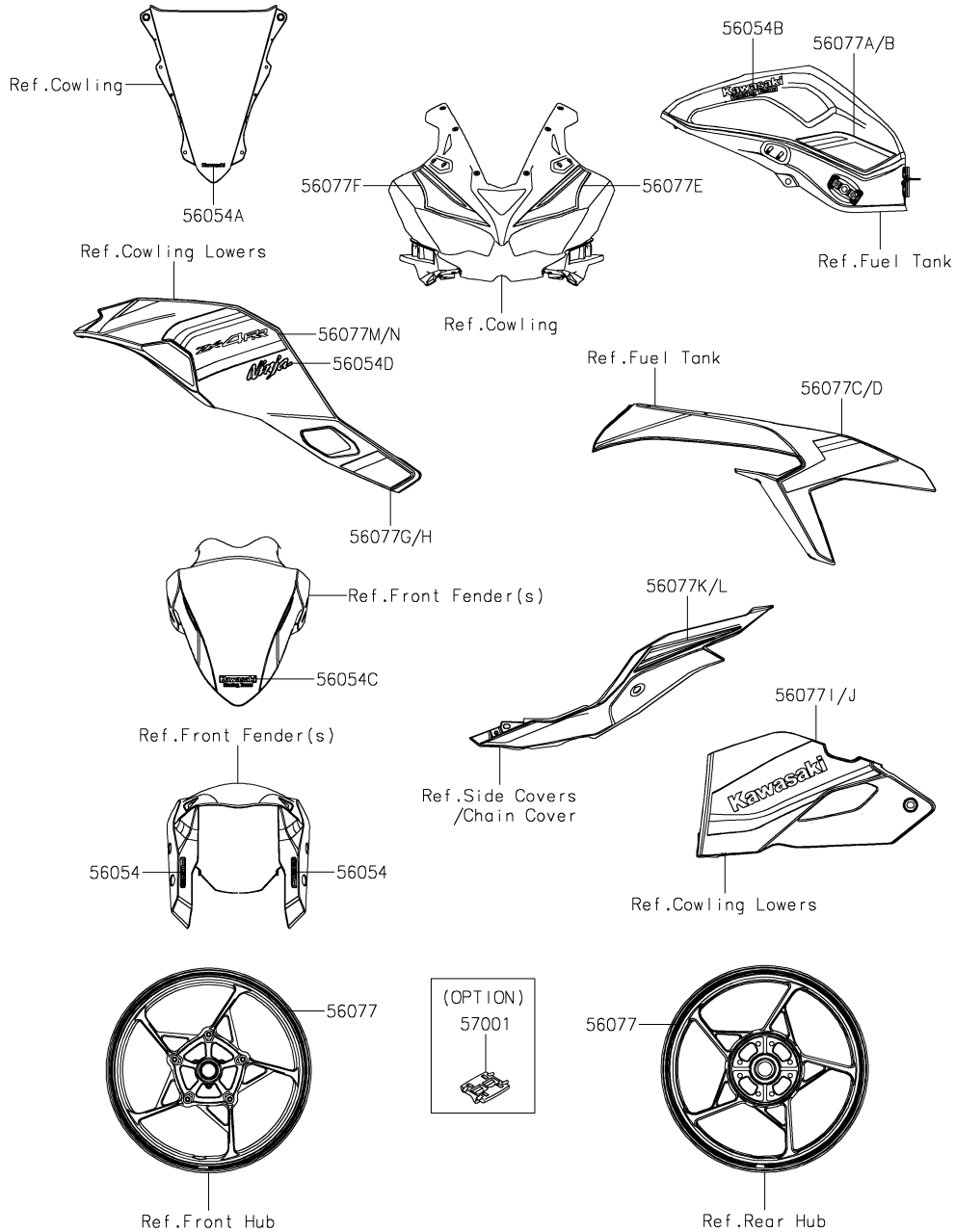


# 60. Decals(Green)(SRFNN)

Ref. No.	Part No.	Description	Spec Code	Quantity			
				'24	'25		
			SRFNN	SSFAN			
56054	56054-1412	MARK,ABS			2		
56054A	56054-2767	MARK,WINDSHIELD,KAWASAKI			1		
56054B	56054-3869	MARK,SIDE COWL.,NINJA			2		
56054C	56054-3870	MARK,LWR COWL.,KAWASAKI			2		
56054D	56054-4090	MARK,FUEL TANK,KRT			2		
56054E	56054-4091	MARK,FR FENDER,KRT			1		
56076	56076-7238	PATTERN,UPP COWL.,LH,UPP			1		
56076A	56076-7239	PATTERN,UPP COWL.,LH,LWR			1		
56076B	56076-7240	PATTERN,UPP COWL.,RH,UPP			1		
56076C	56076-7241	PATTERN,UPP COWL.,RH,LWR			1		
56076D	56076-7242	PATTERN,KNEE GRIP COVER,LH,FR			1		
56076E	56076-7243	PATTERN,KNEE GRIP COVER,LH,RR			1		
56076F	56076-7244	PATTERN,KNEE GRIP COVER,RH,FR			1		
56076G	56076-7246	PATTERN,FUEL TANK,LH			1		
56076H	56076-7248	PATTERN,TAIL COVER,LH			1		
56076I	56076-7249	PATTERN,TAIL COVER,RH			1		
56076J	56076-7251	PATTERN,SIDE COWL.,LH,LWR			1		
56076K	56076-7253	PATTERN,SIDE COWL.,RH,LWR			1		
56076L	56076-7254	PATTERN,LWR COWL.,LH			1		
56076M	56076-7255	PATTERN,LWR COWL.,RH			1		
56077	56077-0009	PATTERN,WHEEL,GRN/BLK,6X1079			4		
56077A	56077-0052	PATTERN,FUEL TANK,RH			1		
56077B	56077-0053	PATTERN,KNEE GRIP COVER,RH,RR			1		
56077C	56077-0094	PATTERN,SIDE COWL.,LH,UPP			1		
56077D	56077-0095	PATTERN,SIDE COWL.,RH,UPP			1		
57001	57001-1752	RIM STRIPE APPLICATOR (OPTION)			AR		

# '24-'25 ZX400 SRFNN/SSFAN

F2861A

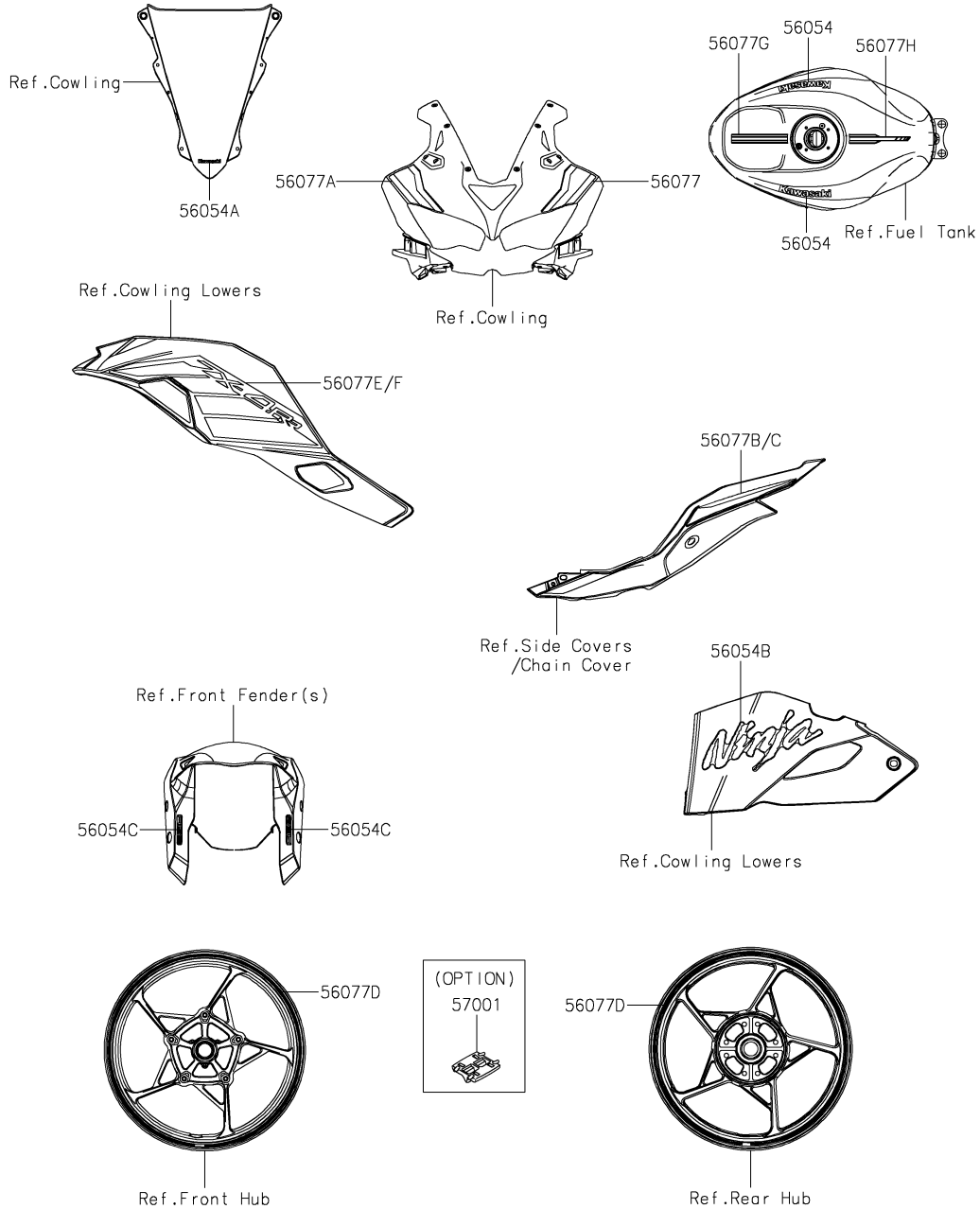


# 61. Decals(Green)(SSFAN)

Ref. No.	Part No.	Description	Spec Code	Quantity			
				'24	'25		
				SRFNN	SSFAN		
56054	56054-1412	MARK,ABS				2	
56054A	56054-2767	MARK,WINDSHIELD,KAWASAKI				1	
56054B	56054-4090	MARK,FUEL TANK,KRT				2	
56054C	56054-4091	MARK,FR FENDER,KRT				1	
56054D	56054-4249	MARK,SIDE COWL.,NINJA				2	
56077	56077-0009	PATTERN,WHEEL,GRN/BLK,6X1079				4	
56077A	56077-1924	PATTERN,FUEL TANK,LH				1	
56077B	56077-1925	PATTERN,FUEL TANK,RH				1	
56077C	56077-1926	PATTERN,KNEE GRIP COVER,LH				1	
56077D	56077-1927	PATTERN,KNEE GRIP COVER,RH				1	
56077E	56077-1928	PATTERN,UPP COWL.,LH				1	
56077F	56077-1929	PATTERN,UPP COWL.,RH				1	
56077G	56077-1931	PATTERN,SIDE COWL.,LH,LWR				1	
56077H	56077-1933	PATTERN,SIDE COWL.,RH,LWR				1	
56077I	56077-1934	PATTERN,LWR COWL.,LH				1	
56077J	56077-1935	PATTERN,LWR COWL.,RH				1	
56077K	56077-1936	PATTERN,TAIL COVER,LH				1	
56077L	56077-1937	PATTERN,TAIL COVER,RH				1	
56077M	56077-1990	PATTERN,SIDE COWL.,LH,UPP				1	
56077N	56077-1991	PATTERN,SIDE COWL.,RH,UPP				1	
57001	57001-1752	RIM STRIPE APPLICATOR (OPTION)				AR	

# '24-'25 ZX400 SRFNN/SSFAN

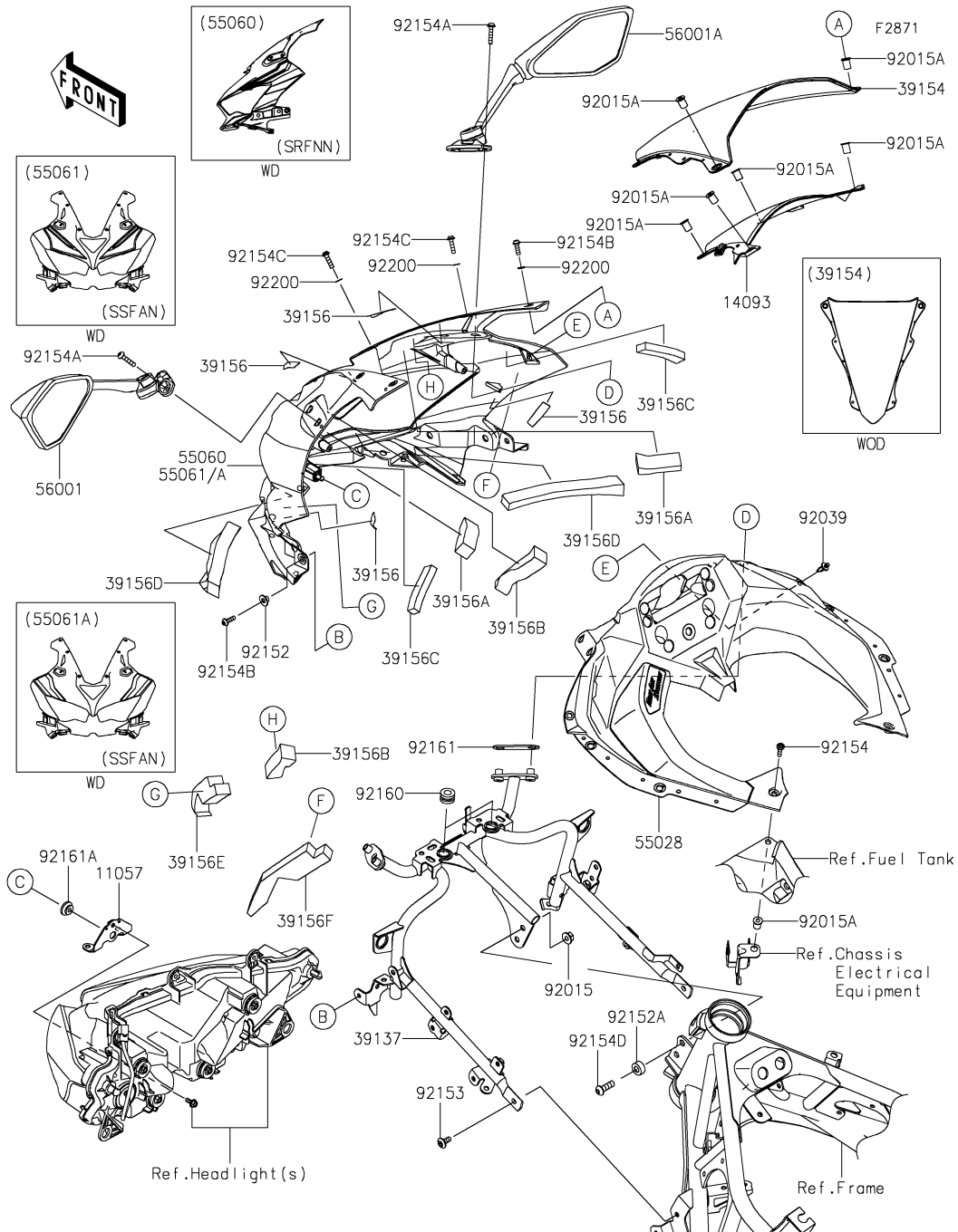
F2861B



## 62. Decals(Gray)(SSFAN)

Ref. No.	Part No.	Description	Spec Code	Quantity			
				'24	'25		
				SRFNN	SSFAN		
56054	56054-2136	MARK,FUEL TANK,KAWASAKI			2		
56054A	56054-2767	MARK,WINDSHIELD,KAWASAKI			1		
56054B	56054-4246	MARK,LWR COWL.,NINJA			2		
56054C	56054-4255	MARK,ABS			2		
56077	56077-1969	PATTERN,UPP COWL.,LH			1		
56077A	56077-1970	PATTERN,UPP COWL.,RH			1		
56077B	56077-1973	PATTERN,TAIL COVER,LH			1		
56077C	56077-1974	PATTERN,TAIL COVER,RH			1		
56077D	56077-1982	PATTERN,WHEEL,GRAY/BLK,4X1353			4		
56077E	56077-2442	PATTERN,SIDE COWL.,LH			1		
56077F	56077-2443	PATTERN,SIDE COWL.,RH			1		
56077G	56077-2448	PATTERN,FUEL TANK,FR			1		
56077H	56077-2449	PATTERN,FUEL TANK,RR			1		
57001	57001-1752	RIM STRIPE APPLICATOR (OPTION)			AR		

# '24-'25 ZX400 SRFNN/SSFAN

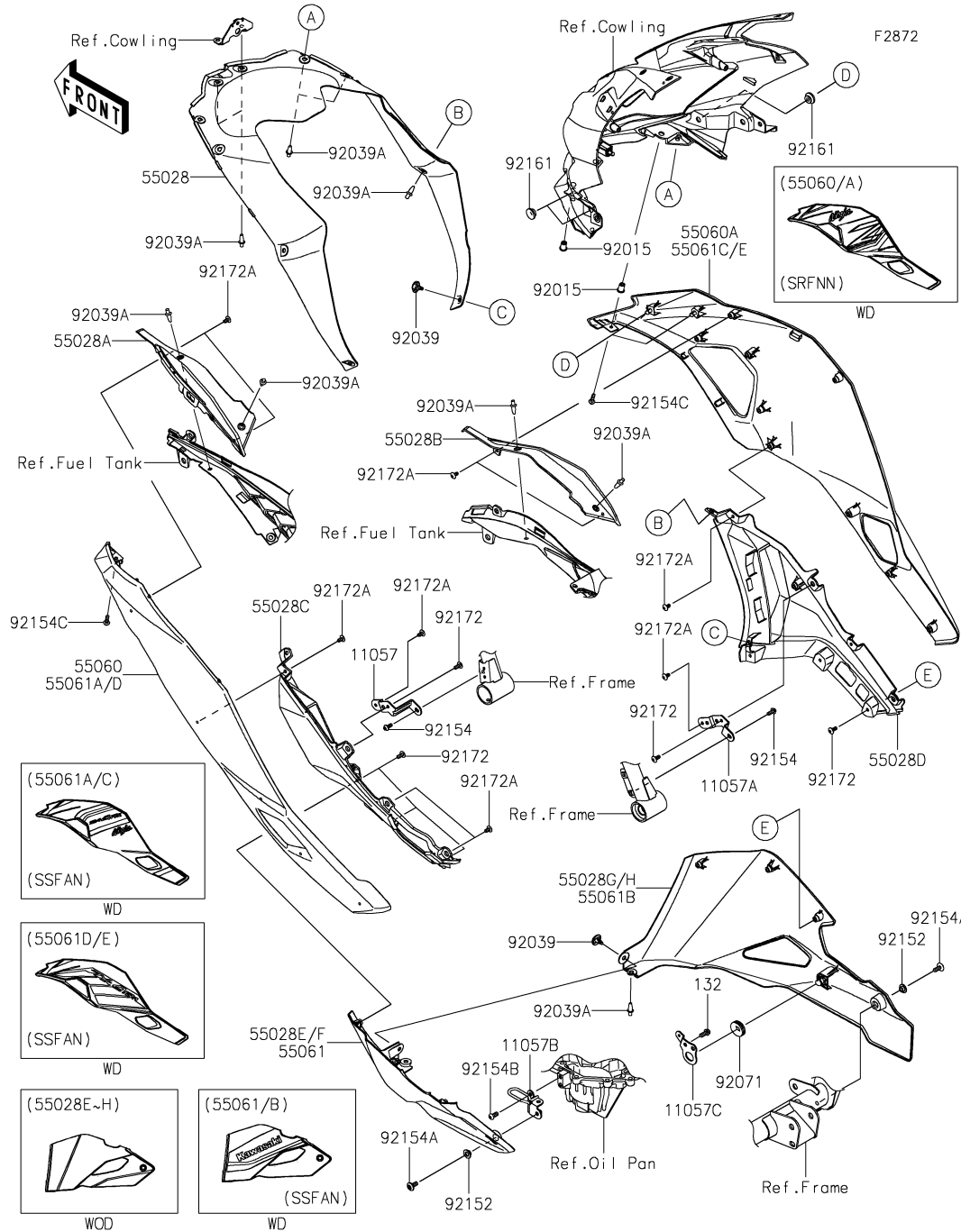


# 63. Cowling

Ref. No.	Part No.	Description	Spec Code	Quantity			
				'24	'25		
				SRFNN	SSFAN		
11057	11057-2857	BRACKET		1	1		
14093	14093-0957	COVER,VISOR		1	1		
39137	39137-0743	STAY-COMP,UPP COWL.		1	1		
39154	39154-0417	WINDSHIELD		1	1		
39156	39156-0635	PAD,12X44		4	4		
39156A	39156-2800	PAD,60X20X20		2	2		
39156B	39156-2801	PAD,95X20X20		2	2		
39156C	39156-2802	PAD,70X20X10		2	2		
39156D	39156-2803	PAD,165X20X20		2	2		
39156E	39156-2805	PAD,LH		1	1		
39156F	39156-2806	PAD,RH		1	1		
55028	55028-0823	COWLING,INNER COVER		1	1		
55060	55060-5228-777	COWLING,UPP,L.GREEN		1			
55061	55061-5224-777	COWLING,UPP,L.GREEN			1		
55061A	55061-5238-53U	COWLING,UPP,M.M.G.GRAY			1		
56001	56001-0380	MIRROR-ASSY,LH		1	1		
56001A	56001-0381	MIRROR-ASSY,RH		1	1		
92015	92015-1397	NUT,LOCK,FLANGED,8MM		2	2		
92015A	92015-1757	NUT,WELL,5MM		8	8		
92039	92039-0709	RIVET		2	2		
92152	92152-2371	COLLAR,5.2X7.8X7.2		2	2		
92152A	92152-2725	COLLAR,8.2X18X8		2	2		
92153	92153-1446	BOLT,SOCKET,6X14		2	2		
92154	92154-0919	BOLT,SOCKET,5X20		2	2		
92154A	92154-2806	BOLT,SOCKET,6X25		4	4		
92154B	92154-4294	BOLT,SOCKET,5X16		4	4		
92154C	92154-4301	BOLT,SOCKET,5X20		4	4		
92154D	92154-4459	BOLT,SOCKET,8X25		2	2		
92160	92160-1167	DAMPER,10X20X12		2	2		
92161	92161-1467	DAMPER		2	2		
92161A	92161-1531	DAMPER		1	1		
92200	92200-1730	WASHER,5.2X10X0.5		6	6		



# '24-'25 ZX400 SRFNN/SSFAN

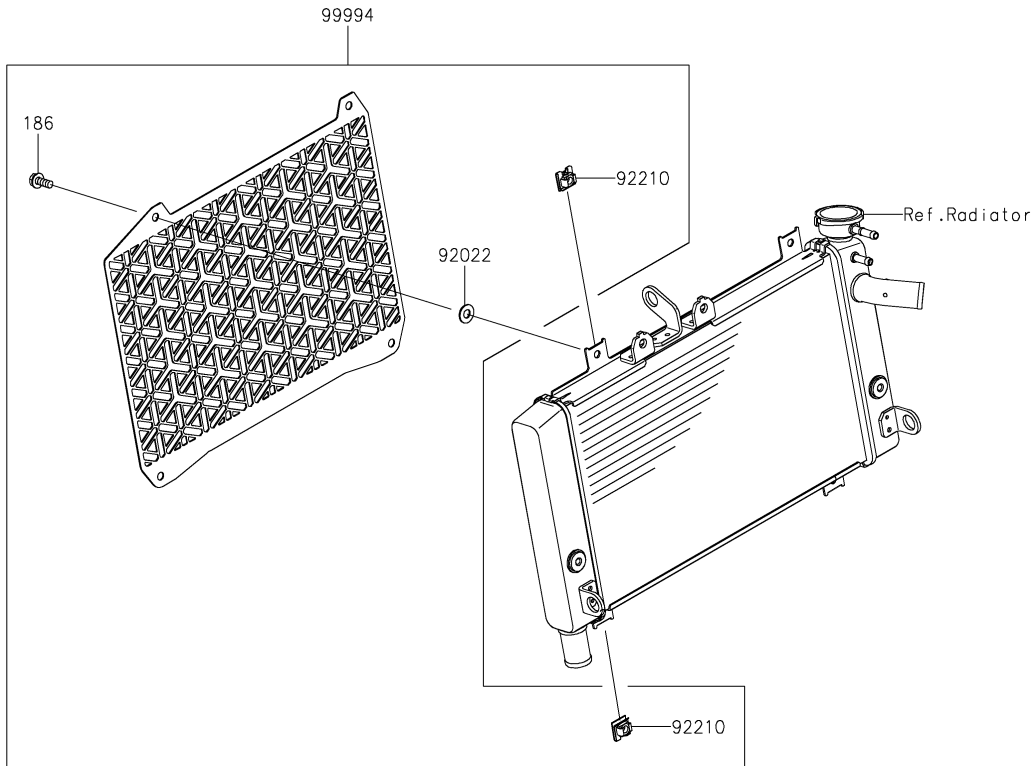


# 64. Cowling Lowers

Ref. No.	Part No.	Description	Spec Code	Quantity			
				'24	'25		
				SRFNN	SSFAN		
11057	11057-2858	BRACKET,SIDE COWL.,LH		1	1		
11057A	11057-2859	BRACKET,SIDE COWL.,RH		1	1		
11057B	11057-2860	BRACKET,LWR COWL.,LH		1	1		
11057C	11057-7936	BRACKET,LWR COWL.,RH		1	1		
55028	55028-0726	COWLING,FR		1	1		
55028A	55028-0730	COWLING,SIDE COWL.,LH,UPP		1	1		
55028B	55028-0731	COWLING,SIDE COWL.,RH,UPP		1	1		
55028C	55028-0732	COWLING,SIDE COWL.,LH,LWR		1	1		
55028D	55028-0733	COWLING,SIDE COWL.,RH,LWR		1	1		
55028E	55028-0734-63Y	COWLING,LWR,LH,M.M.D.GREEN			1		
55028F	55028-0734-777	COWLING,LWR,LH,L.GREEN		1			
55028G	55028-0735-63Y	COWLING,LWR,RH,M.M.D.GREEN				1	
55028H	55028-0735-777	COWLING,LWR,RH,L.GREEN		1			
55060	55060-5469-H8	COWLING,SIDE COWL.,LH,EBONY		1			
55060A	55060-5470-H8	COWLING,SIDE COWL.,RH,EBONY		1			
55061	55061-5225-H8	COWLING,LWR,LH,EBONY				1	
55061A	55061-5226-777	COWLING,SIDE COWL.,LH,L.GREEN				1	
55061B	55061-5227-H8	COWLING,LWR,RH,EBONY				1	
55061C	55061-5228-777	COWLING,SIDE COWL.,RH,L.GREEN				1	
55061D	55061-5367-79A	COWLING,SIDE COWL.,LH,GRN/BLK				1	
55061E	55061-5369-79A	COWLING,SIDE COWL.,RH,GRN/BLK				1	
92015	92015-1757	NUT,WELL,5MM		2	2		
92039	92039-0014	RIVET,HOLE 8MM		3	3		
92039A	92039-0709	RIVET		13	13		
92071	92071-1043	GROMMET		1	1		
92152	92152-2296	COLLAR		2	2		
92154	92154-0917	BOLT,SOCKET,5X12		2	2		
92154A	92154-0932	BOLT,SOCKET,6X14		2	2		
92154B	92154-4165	BOLT,SOCKET,6X14		2	2		
92154C	92154-4294	BOLT,SOCKET,5X16		2	2		
92161	92161-1531	DAMPER		4	4		
92172	92172-0821	SCREW,5X12		8	8		
92172A	92172-1255	SCREW,CROS,5X10		12	12		
132	132BB0614	BOLT-FLANGED-SMALL,6X14		2	2		

# '24-'25 ZX400 SRFNN/SSFAN

F2910

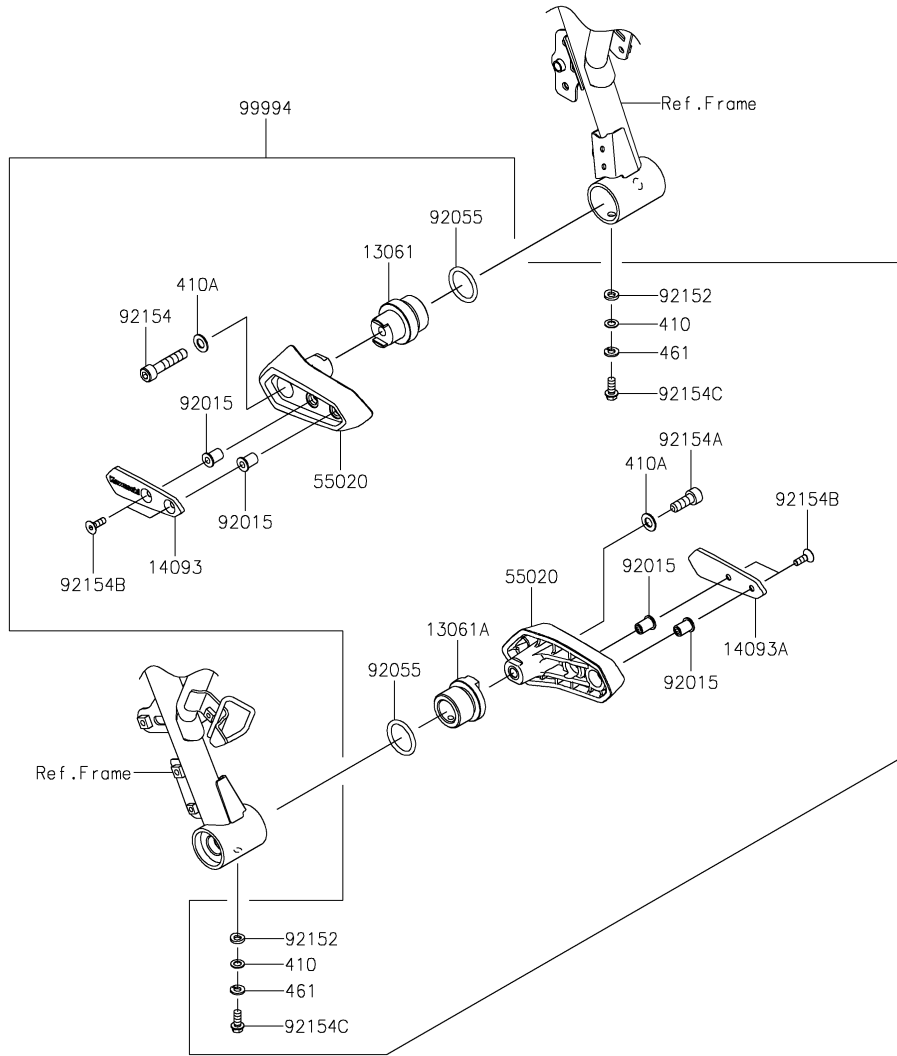


## 65. Accessory(Radiator Trim)

Ref. No.	Part No.	Description	Spec Code	Quantity			
				'24	'25		
				SRFNN	SSFAN		
92022	92022-024	WASHER,7X16X1.2		4	4		
92210	92210-0867	NUT,CLIP,6MM		4	4		
99994	99994-1887	RADIATOR TRIM		1	1		
186	186BA0616	BOLT-UPSET-WP		4	4		

# '24-'25 ZX400 SRFNN/SSFAN

F2910A



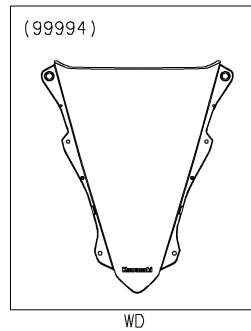
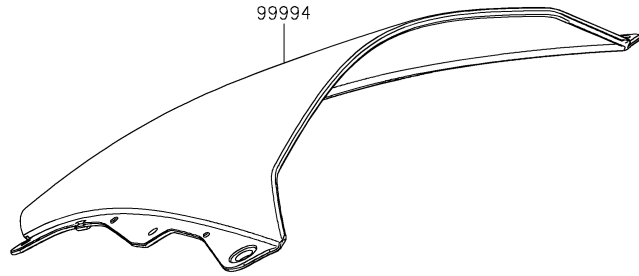
## 66. Accessory(Slider)

Ref. No.	Part No.	Description	Spec Code	Quantity			
				'24	'25		
				SRFNN	SSFAN		
13061	13061-1951	BOSS,LH		1		1	
13061A	13061-1952	BOSS,RH		1		1	
14093	14093-0971	COVER,SLIDER,LH		1		1	
14093A	14093-0972	COVER,SLIDER,RH		1		1	
55020	55020-2411	GUARD		2		2	
92015	92015-1757	NUT,WELL,5MM		4		4	
92055	92055-0953	RING-O,25.7X3.5		2		2	
92152	92152-2645	COLLAR		2		2	
92154	92154-4046	BOLT,SOCKET,8X40		1		1	
92154A	92154-4047	BOLT,SOCKET,8X22		1		1	
92154B	92154-4048	BOLT,SOCKET,5X16		4		4	
92154C	92154-4049	BOLT,FLANGED,6X14		2		2	
99994	99994-1868	FRAME SLIDER		1		1	
410	410AA0600	WASHER-PLAIN-SMALL		2		2	
410A	410AA0800	WASHER-PLAIN-SMALL,8MM		2		2	
461	461DA0600	WASHER-SPRING,6MM		2		2	

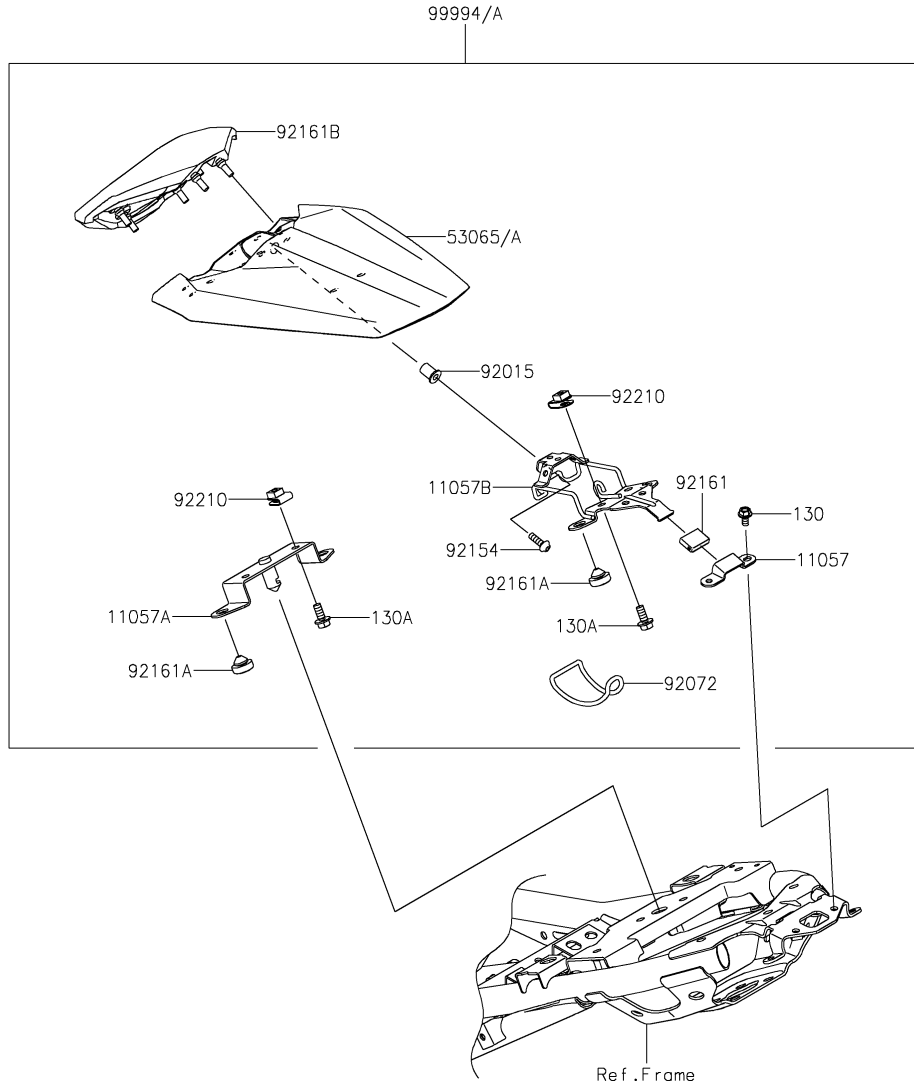


F2910B

Ref. No.	Part No.	Description	Spec Code	Quantity			
				'24	'25		
				SRFNN	SSFAN		
99994	99994-1869	WINDSHIELD(SMOKE)		1	1		



F2910C



## 68. Accessory(Pillion Seat Cover)

Ref. No.	Part No.	Description	Spec Code	Quantity				
				'24	'25			
				SRFNN	SSFAN			
11057	11057-2879	BRACKET			1	1		
11057A	11057-2943	BRACKET,FR			1	1		
11057B	11057-2944	BRACKET,RR			1	1		
53065	53065-0079-63Y	COVER SEAT,PILLION,M.M.D.GREEN					1	
53065A	53065-0079-777	COVER SEAT,PILLION,L.GREEN			1	1		
92015	92015-1757	NUT,WELL,5MM			1	1		
92072	92072-0865	BAND,TOOL CASE			1	1		
92154	92154-0209	BOLT,SOCKET,5X16			1	1		
92161	92161-1472	DAMPER,15X21X5.5			1	1		
92161A	92161-1473	DAMPER,9.5X18X6			4	4		
92161B	92161-2257	DAMPER,FR PAD			1	1		
92210	92210-0277	NUT,6MM			4	4		
99994	99994-1871-63Y	PILLION SEAT COVER,M.M.D.GREEN					1	
99994A	99994-1871-777	PILLION SEAT COVER,L.GREEN			1	1		
130	130BA0510	BOLT-FLANGED,5X10			2	2		
130A	130BA0614	BOLT-FLANGED,6X14			4	4		

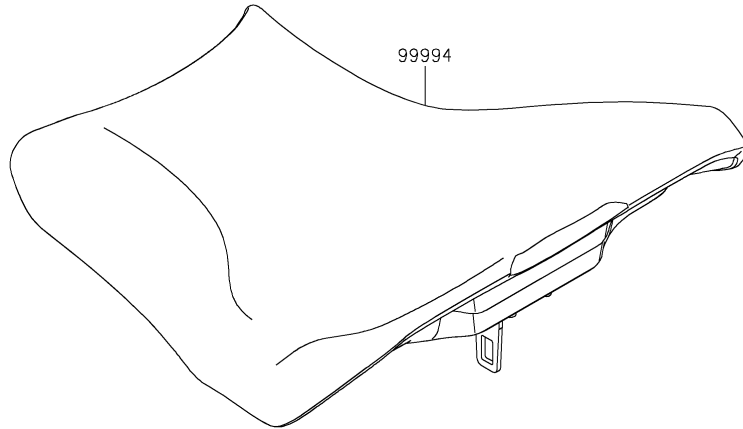
'24-'25 ZX400 SRFNN/SSFAN

69. Accessory(Seat)

F2910D



Ref. No.	Part No.	Description	Spec Code	Quantity			
				'24	'25		
				SRFNN	SSFAN		
99994	99994-1872	SEAT-SPORT		1	1		

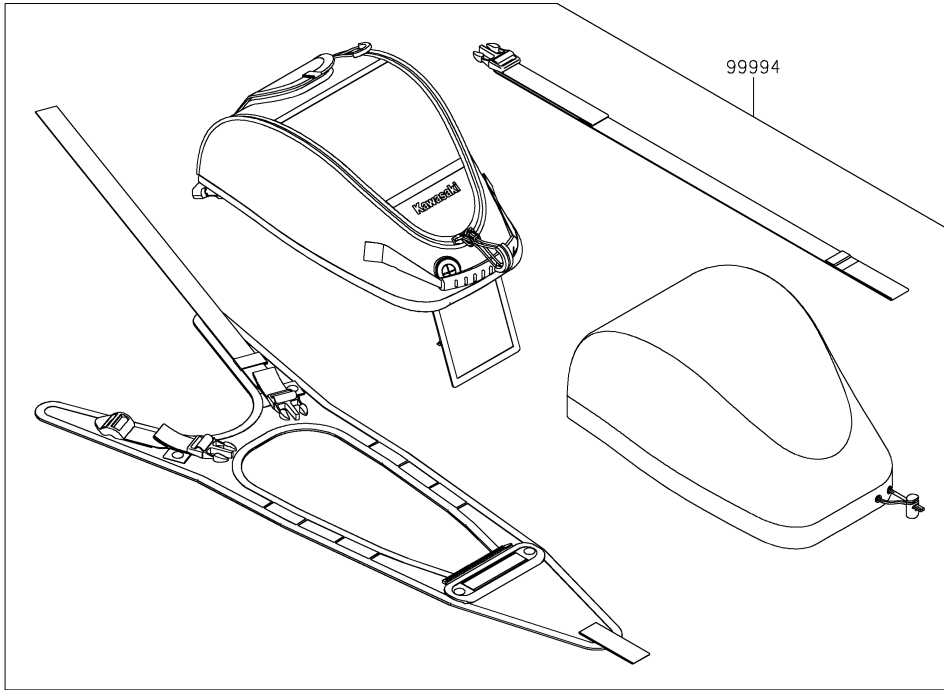


F2910E

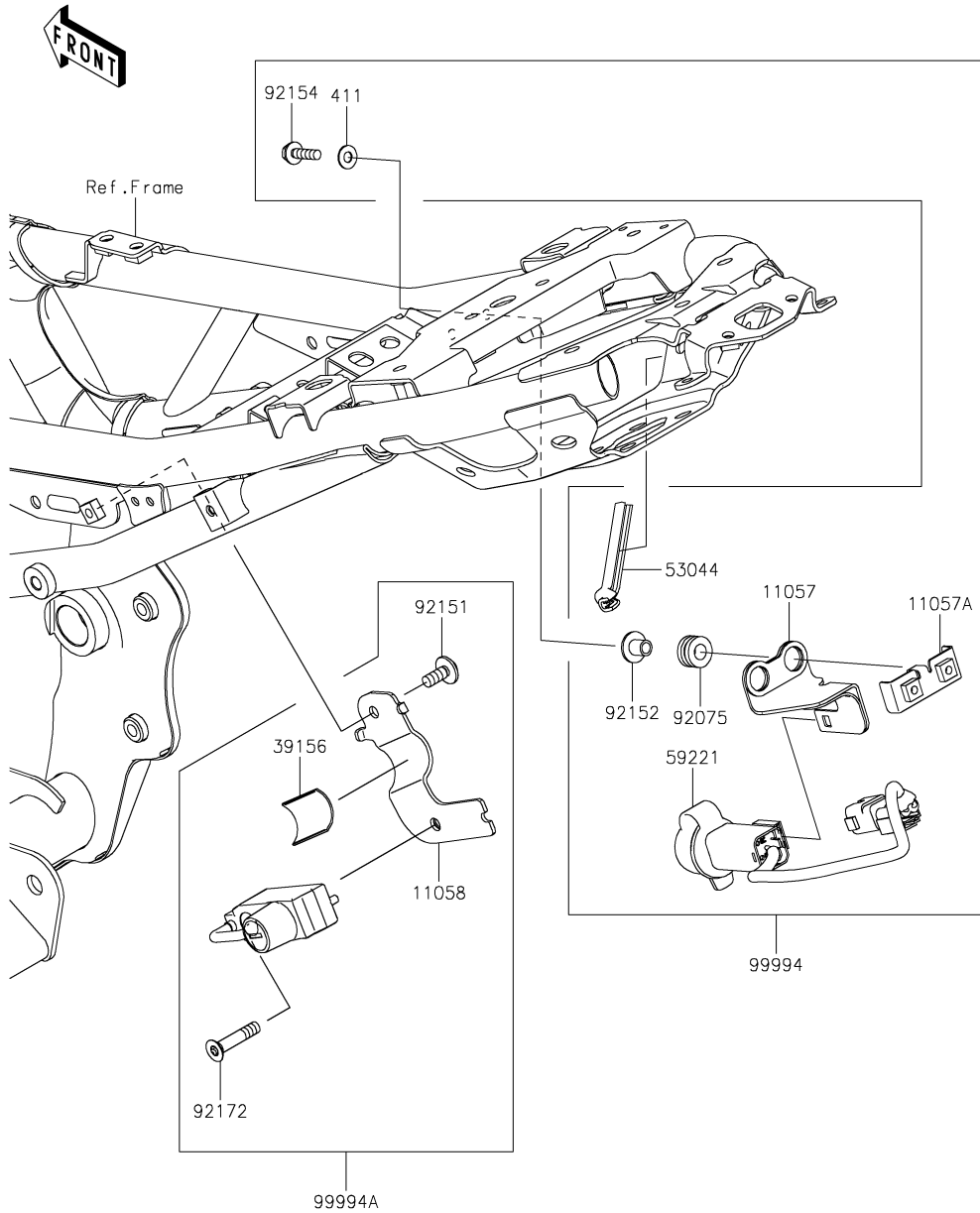


70. Accessory(Tank Bag)

Ref. No.	Part No.	Description	Spec Code	Quantity			
				'24	'25		
				SRFNN	SSFAN		
99994	99994-0803	KIT-ACCESSORY,TANK BAG		1	1		



F2910F



71. Accessory(Helmet Lock etc.)

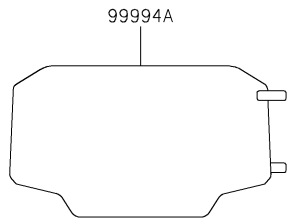
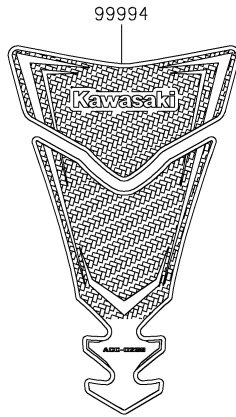
Ref. No.	Part No.	Description	Spec Code	Quantity			
				'24	'25		
				SRFNN	SSFAN		
11057	11057-7798	BRACKET		1	1		
11057A	11057-7800	BRACKET		1	1		
11058	11058-0256	BRACKET,HELMET-LOCK		1	1		
39156	39156-2158	PAD,25X33X1		1	1		
53044	53044-0556	TRIM,L=85		1	1		
59221	59221-0019	CONNECTOR-CORD,USB		1	1		
92075	92075-1912	DAMPER		2	2		
92151	92151-1654	BOLT,SOCKET,6X14		1	1		
92152	92152-1592	COLLAR		2	2		
92154	92154-4433	BOLT,FLANGED,5X20		2	2		
92172	92172-1378	SCREW,HEXLOBE,6X30		1	1		
99994	99994-1824	USB SOCKET		1	1		
99994A	99994-1880	HELMET-LOCK		1	1		
411	411AA0500	WASHER-PLAIN,5MM		2	2		



F2910G

72. Accessory(Tank Pads and Meter Film)

Ref. No.	Part No.	Description	Spec Code	Quantity			
				'24	'25		
				SRFNN	SSFAN		
99994	99994-1217	TANKPAD		1	1		
99994A	99994-1472	SCRATCH RESISTANT FILM		1	1		



## '24-'25 ZX400 SRFNN/SSFAN

## Numerical Parts Index

Part No.	Fig No.	Part No.	Fig No.	Part No.	Fig No.	Part No.	Fig No.	Part No.	Fig No.	Part No.	Fig No.
11004-0806	1	11058-1060	13	13089-0041	9	13236-0860	42	14093-1217	2	23037-0573	55
11005-0732	3	11058-1068	48	13089-0042	9	13242-0173	12	14093-1450	2	23037-0574	55
11008-1503	1	11058-1262	16	13089-0043	9	13251-0748-HH	8	14093-5404-H8	48	23040-0157	55
11009-1145	27	11061-0107	25	13089-0044	9	13262-1288	10	14093-5453-H8	48	23040-0158	55
11010-1820	4	11061-0447	5	13095-0617	9	13262-1289	10	16007-0711	9	25036-0134	50
11012-1362	15	11061-1326	15	130BA0510	68	13262-1290	10	16007-0762	6	26006-0001	56
11012-1592	39	11061-1327	15	130BA0512	53	13262-1291	10	16007-0780	47	26006-1006	24
11013-0812	4	11061-1328	16	130BA0612	41	13262-1292	10	16007-0782	6	26006-1077	56
11056-2119	57	11061-1372	5	130BA0614	44	13262-1293	10	16014-0023	17	26006-1078	56
11057-1214	54	11061-1420	2	130BA0614	45	13262-1294	10	16066-0025	1	26006-1079	56
11057-2857	63	11061-1464	2	130BA0614	56-1	13262-1295	10	16073-0053	24	26006-1080	56
11057-2858	64	11061-1551	3	130BA0614	68	13262-1296	10	16073-0884	17	26011-0275	56
11057-2859	64	11065-0969	27	130BA0616	57	13262-1297	10	16082-0956	41	26011-1896	56
11057-2860	64	11065-1329-18R	31	130BA0620	56-1	13272-0573	42	16097-0552	21	26011-1901	56
11057-2877	56	11065-1352	56	130BA0625	16	13272-2374	11	16115-1053	15	26011-1942	24
11057-2879	68	11065-1372	47	130BA0625	53	13272-2414	9	16126-0705	20	26011-2425	56
11057-2882	30	11065-1410	47	130BB0512	35	13272-2748	13	16126-0770	37	26012-1606	56
11057-2883	41	11065-1417	2	130BB0625	4	13272-2749	13	16130-0006	21	26031-4112	56
11057-2916	35	112BB0645	46	130BC0620	22	13280-0301	24	16142-0775	25	27002-0061	56
11057-2917	48	12004-0778	6	130BD0610	3	13280-0306	46	16154-0753	21	27002-0068	56
11057-2926	56	12005-0802	6	130CA0612	56-1	13280-0319	46	16160-0846	25	27003-0124	56
11057-2943	68	12009-0048	6	130CA0622	49	132BA0612	13	16163-1304	17	27005-0715	57
11057-2944	68	12009-0719	6	130CA0630	14	132BA0612	42	16164-0012	20	27005-5196	57
11057-4085	25	12011-1052	6	130CA0640	14	132BA0620	27	18091-1253	5	27008-0661	57
11057-4176	55	12021-0708	2	130CA0655	14	132BA0635	27	186BA0616	65	27010-0097	57
11057-4177	55	12032-0037	6	130CA0855	14	132BB0614	64	21003-0195	22	27010-0099	24
11057-7041	56	12032-0038	6	130CB0620	12	132BC0614	56-1	21007-0671	42	27010-0762	42
11057-7089	57	12046-0621	7	130CB0625	26	132BC0614	57	21007-0686	23	27010-0863	57
11057-7472	35	12048-0111	7	130CB0885	5	132BC0618	42	21007-0690	22	27010-0933	46
11057-7584	56	12053-0051	7	13102-0080	9	132BC0618	45	21039-0004	24	27010-1313	13
11057-7740	57	12053-0325	7	13107-0157	7	14001-0740	13	21040-0003	24	27016-0008	57
11057-7798	71	12053-0330	7	13107-0861	24	14013-004	13	21066-0761	22	27016-0093	57
11057-7800	71	120CA0512	48	13107-0903	21	14013-1051	13	21163-0793	24	27016-5424	57
11057-7802	54	120CA0612	2	13107-0920	21	14026-0158	15	21171-0732	23	27016-5425	57
11057-7936	64	120CA0622	2	13116-0753	47	14031-0637	15	21175-1874	19	27034-0012	56
11058-0256	71	120CA0645	1	13127-0727	10	14032-0661	15	21176-0009	19	28012-0002	57
11058-0349	56	120CB0622	42	13128-0736	10	14037-0830	4	21176-0048	19	28012-1077	57
11058-0354	5	120CB0625	46	13140-0662	11	14073-0952	4	21176-0704	19	31064-0730	17
11058-0544	22	120CB0830	46	13140-0663	11	14073-1929	4	21176-0852	19	318BB0800	44
11058-0546	2	13001-0842	3	13141-0597	11	14092-1002	21	21176-0906	17	32043-0668	36
11058-0547	20	13002-0732	3	13144-0577	10	14093-0957	63	21176-0925	42	32046-0453	49
11058-0576	23	13008-0605	3	13145-0576	11	14093-0960	35	21176-0926	45	32052-0824	48
11058-0609	44	13031-1532	8	13159-1056	44	14093-0961-739	48	21176-0931	19	32085-0047	33
11058-0610	48	13042-5040	46	13161-0609	12	14093-0961-H8	48	21176-0992	12	32085-0883	47
11058-0625	57	13061-1951	66	13187-0033	9	14093-0962	48	21176-1199	19	32085-0884	47
11058-1018	48	13061-1952	66	13194-1096	24	14093-0963-739	48	21181-0029	57	32155-0029	21
11058-1019	52	13070-0810	45	13216-0913	24	14093-0963-H8	48	220AC0625	57-1	32160-2051-18R	28
11058-1020	52	13087-0594	9	13235-0015	47	14093-0964	48	23004-0423	53	33001-0765-18R	31
11058-1021	57	13088-0592	9	13236-0794	12	14093-0971	66	23016-0637	54	33032-0062	31
11058-1022	44	13088-0630	9	13236-0858	12	14093-0972	66	23025-0400	54	33040-0096-18R	31

## '24-'25 ZX400 SRFNN/SSFAN

## Numerical Parts Index

Part No.	Fig No.	Part No.	Fig No.	Part No.	Fig No.	Part No.	Fig No.	Part No.	Fig No.	Part No.	Fig No.
33040-0102	31	39156-2804	53	43049-0012	43	480J1100	21	55020-2392	5	56054-4249	61
33040-0103	31	39156-2805	63	43049-0013	43	480J1400	12	55020-2404	57	56054-4255	62
34024-0138	36	39156-2806	63	43049-1068	43	481J3500	31	55020-2411	66	56071-0158	59
34028-0356	33	39156-2808	56	43049-1107	43	482EA5000	33	55020-2431	30	56071-0695	59
34028-0357	33	39156-2835	49	43056-0007	43	482EA7000	33	55020-2432	30	56076-7238	60
34028-0366	33	39178-0453	5	43056-1055	45	482J0200	12	55028-0726	64	56076-7239	60
34028-0367	33	39192-0658	27	43057-003	43	49002-1152	1	55028-0730	64	56076-7240	60
35001-0089-63Y	34	39193-0595	13	43057-1001	45	49006-0058	45	55028-0731	64	56076-7241	60
35001-0089-777	34	41009-0896	37	43058-1100	45	49006-1242	45	55028-0732	64	56076-7242	60
35019-0670	35	41009-0897	37	43078-0060	44	49016-0702	48	55028-0733	64	56076-7243	60
35023-0465	35	41068-0651	38	43080-0143-DJ	43	49016-0705	26	55028-0734-63Y	64	56076-7244	60
35023-0492	35	41068-0652	39	43080-0144-DJ	43	49016-1044	42	55028-0734-777	64	56076-7246	60
35063-1486-18R	30	41073-0832-QT	38	43080-0156-DJ	45	49016-1103	44	55028-0735-63Y	64	56076-7248	60
35063-1487-18R	30	41073-0833-QT	39	43082-0185	45	49033-0584	17	55028-0735-777	64	56076-7249	60
35063-1488-18R	30	41075-0007	37	43082-0206	43	49034-0575	16	55028-0823	63	56076-7251	60
35063-1571-18R	30	41075-0008	37	43093-0009	27	49040-0788	18	55060-5228-777	63	56076-7253	60
36014-0573	52	41075-0009	37	43094-0013	46	49047-0634	11	55060-5469-H8	64	56076-7254	60
36041-0054-63Y	52	41080-0736	45	43095-1755	44	49054-0001	27	55060-5470-H8	64	56076-7255	60
36041-0054-777	52	41080-0741-32L	43	43095-1858	41	49056-0565	17	55061-5224-777	63	56077-0009	60
36041-0055-63Y	52	410AA0600	66	43095-1889	44	49063-1055	25	55061-5225-H8	64	56077-0009	61
36041-0055-777	52	410AA0800	66	43095-1891	44	49065-0715	21	55061-5226-777	64	56077-0052	60
36042-0012	52	410AB0400	57-1	43095-1897	41	49078-0800	6	55061-5227-H8	64	56077-0053	60
39007-0475	32	410AB0600	46	43095-1965	41	49078-0801	6	55061-5228-777	64	56077-0094	60
39007-0476	32	411AA0500	71	44008-0092	47	49085-0006	26	55061-5238-53U	63	56077-0095	60
39060-0758	26	411AA0600	19	44013-0401	47	49091-0001	41	55061-5367-79A	64	56077-1924	61
39062-0853	27	42033-0570	39	44013-0405	47	49091-0001	44	55061-5369-79A	64	56077-1925	61
39062-0854	27	42036-0050	45	44023-0184	47	49116-0047	4	550AA2015	44	56077-1926	61
39062-0855	27	42036-0718	32	44023-0191	47	49118-1289	7	550AA4035	39	56077-1927	61
39062-0856	27	42036-0789	32	44026-0265	47	49118-1290	7	551A0408	25	56077-1928	61
39062-0857	27	42036-0866	31	44026-0291	47	51044-1242	18	551A0814	15	56077-1929	61
39062-0926	27	42036-0874	39	44026-0293	47	51049-0756	48	56001-0380	63	56077-1931	61
39111-0382	12	42041-0178	39	44037-0194	47	51093-5280-777	48	56001-0381	63	56077-1933	61
39111-0392	32	43001-0784	40	44039-0196	47	51093-5400-777	48	56007-0168	58	56077-1934	61
39137-0743	63	43010-0030	44	44065-0069	47	51093-5407-53U	48	56008-0036	58	56077-1935	61
39154-0417	63	43015-0784	44	44065-0070	47	52005-1009	15	56033-1384	59	56077-1936	61
39156-0635	63	43015-0795	42	44071-1577	47	53003-0531-MA	49	56053-1978	59	56077-1937	61
39156-2117	52	43020-0008	42	44071-1590	47	53003-0537-MA	49	56054-1412	60	56077-1969	62
39156-2158	71	43020-1094	44	45014-0736	32	53004-0560	56	56054-1412	61	56077-1970	62
39156-2381	55	43022-1010	42	46003-0762	46	53044-0556	71	56054-2136	62	56077-1973	62
39156-2421	54	43026-0009	44	46003-0822	46	53044-0565	56	56054-2767	60	56077-1974	62
39156-2540	4	43026-0019	42	46019-0100	46	53044-0627	48	56054-2767	61	56077-1982	62
39156-2541	4	43027-0008	42	46075-0564	46	53065-0079-63Y	68	56054-2767	62	56077-1990	61
39156-2542	4	43027-1053	44	46076-0174	46	53065-0079-777	68	56054-2946	57	56077-1991	61
39156-2607	49	43028-0015	42	46091-0586	46	53066-0670-MA	49	56054-3869	60	56077-2442	62
39156-2688	52	43028-1065	44	46091-0587	46	53066-0671-MA	49	56054-3870	60	56077-2443	62
39156-2776	55	43034-0050	42	46092-0578	46	54010-0641	57	56054-4090	60	56077-2448	62
39156-2800	63	43044-0092	45	46102-0686	9	54011-0661	51	56054-4090	61	56077-2449	62
39156-2801	63	43048-0008	45	461DA0600	24	55020-2246	57	56054-4091	60	57001-1752	60
39156-2802	63	43048-0023	43	461DA0600	66	55020-2359	31	56054-4091	61	57001-1752	61
39156-2803	63	43048-0024	43	461DA0800	35	55020-2391	5	56054-4246	62	57001-1752	62

## '24-'25 ZX400 SRFNN/SSFAN

## Numerical Parts Index

Part No.	Fig No.	Part No.	Fig No.	Part No.	Fig No.	Part No.	Fig No.	Part No.	Fig No.	Part No.	Fig No.
59026-0561	23	92022-1109	10	92045-0972	11	92055-1742	1	92139-0781	10	92152-2486	52
59051-0840	24	92022-1116	9	92045-1384	28	92055-1777	15	92139-0793	10	92152-2524	9
59051-0873	21	92022-112	10	92046-0034	15	92057-0782	7	92139-1179	8	92152-2635	29
59051-0874	21	92022-1282	40	92046-0043	13	92057-0904	39	92139-1180	8	92152-2645	66
59221-0019	71	92022-1582	31	92046-1185	10	92058-0088	39	92139-1181	8	92152-2657	56
59256-0554	25	92022-304	3	92046-1228	31	92062-0010	13	92139-1182	8	92152-2725	63
59502-0645	26	92026-0115	9	92046-1273	32	92062-0568	13	92139-1183	8	92152-2761	35
600A0500	10	92026-0873	9	92046-1301	32	92065-097	16	92139-1184	8	92152-2850	5
600A0800	33	92026-0905	47	92048-0024	24	92066-0032	47	92139-1185	8	92152-2852	26
601B6003G	31	92026-1217	12	92048-0047	10	92066-0129	1	92139-1186	8	92152-2873	39
601B6203UU	38	92027-1651	22	92049-0137	28	92066-0782	4	92139-1187	8	92152-2874	31
601B6205UU	39	92027-1651	41	92049-0742	28	92066-0836	13	92143-1353	53	92152-2875	38
601B6303UU	39	92028-1858	10	92049-0792	32	92066-0919	55	92143-1379	46	92152-2876	39
670D1509	7	92033-0079	44	92049-0798	25	92066-0944	28	92144-1467	46	92152-2877	43
671B2560	39	92033-015	10	92049-0801	38	92066-1174	16	92145-0493	45	92152-2878	29
92002-1296	22	92033-026	10	92049-0802	39	92070-0716	23	92145-0683	57	92152-2879	29
92002-1322	42	92033-0829	47	92049-0827	31	92071-0024	24	92145-0804	36	92152-3770	10
92002-1323	42	92033-0830	47	92049-0850	32	92071-0026	4	92145-0988	40	92152-3814	31
92002-1649	14	92033-1043	39	92049-0870	47	92071-0760	5	92145-1319	33	92153-0406	1
92002-1796	15	92033-1186	44	92049-1287	39	92071-0766	48	92145-1813	12	92153-0500	47
92004-0048	39	92033-1286	47	92049-1308	6	92071-0766	49	92145-1814	12	92153-0531	26
92004-0049	1	92033-1287	3	92049-1426	31	92071-0766	52	92145-1873	43	92153-0549	23
92004-0793	12	92037-1460	4	92049-1449	45	92071-0819	35	92145-1901	9	92153-0628	41
92005-0721	20	92037-147	20	92049-1450	45	92071-1043	64	92145-1958	12	92153-0628	44
92005-0826	1	92037-147	27	92049-1474	13	92071-1131	53	92145-2240	33	92153-0816	35
92005-0957	27	92039-0014	64	92049-1520	13	92072-0815	20	92145-2273	9	92153-0854	47
92005-0958	27	92039-0709	52	92049-1560	15	92072-0861-MA	49	92150-1090	46	92153-0960	1
92005-0989	17	92039-0709	63	92055-0016	19	92072-0865	68	92150-1880	11	92153-1361	31
92005-1447	13	92039-0709	64	92055-0039	13	92072-0874	58	92151-1654	30	92153-1361	35
92009-1134	46	92039-0752	34	92055-0074	1	92072-1414	56	92151-1654	35	92153-1446	63
92015-1191	46	92039-1289	35	92055-0124	17	92075-015	48	92151-1654	52	92153-1587	4
92015-1197	46	92042-007	1	92055-0133	1	92075-1426	32	92151-1654	71	92153-1624	30
92015-1367	20	92042-007	15	92055-0136	24	92075-1564	57	92151-1802	36	92153-1625	46
92015-1367	24	92042-030	21	92055-0143	2	92075-161	48	92151-1829	7	92153-1631	14
92015-1367	53	92043-0137	45	92055-0728	18	92075-1808	35	92151-1930	7	92153-1779	2
92015-1367	57	92043-0200	33	92055-0734	15	92075-1912	71	92152-0017	48	92153-1798	27
92015-1397	63	92043-0820	45	92055-0741	44	92075-277	22	92152-0413	7	92153-1826	45
92015-1476	24	92043-0877	33	92055-0845	13	92075-277	41	92152-0547	4	92153-1850	24
92015-1528	42	92043-0904	44	92055-086	7	92092-0044	5	92152-0844	39	92153-1866	24
92015-1700	35	92043-1037	1	92055-0917	19	92093-0707	4	92152-1592	71	92153-7073	14
92015-1757	4	92043-1037	13	92055-0942	25	92093-0739	4	92152-1602	34	92154-0039	57
92015-1757	48	92043-1037	2	92055-0943	25	92093-0740	4	92152-1971	57	92154-0209	68
92015-1757	56	92043-1264	1	92055-0947	27	92093-0789	47	92152-2274	57	92154-0235	11
92015-1757	63	92043-1264	3	92055-0948	27	92093-1030	48	92152-2296	64	92154-0235	13
92015-1757	64	92043-1309	13	92055-0949	27	92104-0004	58	92152-2339	52	92154-0377	57
92015-1757	66	92043-1709	43	92055-0953	66	92104-1064	58	92152-2367	5	92154-0503	23
92015-1757	68	92043-1744	11	92055-0994	47	92106-0004	58	92152-2370	12	92154-0505	57
92015-1946	31	92045-0003	10	92055-1276	24	92107-0020	58	92152-2371	63	92154-0520	7
92016-028	9	92045-0735	10	92055-1370	24	92110-0566	58	92152-2386	38	92154-0551	56
92022-024	65	92045-0937	9	92055-1503	21	92110-0567	58	92152-2486	34	92154-0840	29

## '24-'25 ZX400 SRFNN/SSFAN

## Numerical Parts Index

Part No.	Fig No.	Part No.	Fig No.	Part No.	Fig No.	Part No.	Fig No.	Part No.	Fig No.	Part No.	Fig No.
92154-0843	30	92154-4046	66	92161-1466	12	92172-1215	54	92180-1026	6	92200-1730	63
92154-0907	45	92154-4047	66	92161-1467	63	92172-1226	50	92180-1028	6	92200-1916	39
92154-0907	5	92154-4048	66	92161-1472	68	92172-1255	54	92180-1030	6	92200-1932	10
92154-0917	64	92154-4049	66	92161-1473	49	92172-1255	64	92180-1032	6	92200-1933	12
92154-0918	34	92154-4150	14	92161-1473	68	92172-1378	71	92180-1034	6	92200-1962	35
92154-0919	63	92154-4165	64	92161-1475	5	92172-1383	17	92180-1036	6	92200-1962	49
92154-0929	44	92154-4220	47	92161-1531	52	92172-1384	17	92180-1038	6	92200-1962	57
92154-0932	64	92154-4256	32	92161-1531	63	92172-1426	55	92180-1040	6	92200-1987	9
92154-0935	40	92154-4294	48	92161-1531	64	92173-0190	4	92180-1042	6	92200-2295	12
92154-0953	7	92154-4294	52	92161-1664	35	92173-0736	16	92180-1044	6	92200-2372	1
92154-0997	9	92154-4294	63	92161-1791	48	92173-0861	56	92180-1046	6	92200-2421	55
92154-1023	36	92154-4294	64	92161-1848	34	92173-0868	12	92180-1048	6	92200-2523	10
92154-1080	24	92154-4301	63	92161-1911	48	92173-0868	56	92180-1050	6	92200-2524	10
92154-1149	30	92154-4379	43	92161-1984	54	92173-1061	54	92180-1052	6	92200-2525	34
92154-1225	24	92154-4399	5	92161-2257	68	92173-1213	44	92180-1054	6	92200-2525	52
92154-1288	25	92154-4400	12	92161-2290	56	92173-1549	56	92190-1185	40	92200-2530	28
92154-1426	13	92154-4401	24	92161-2305	48	92173-1578	54	92192-1808	20	92200-2558	21
92154-1525	21	92154-4431	29	92161-2336	57	92173-1613	42	92192-2270	20	92200-2559	12
92154-1691	48	92154-4432	35	92161-2369	47	92173-1613	45	92192-2271	20	92210-0007	57
92154-1701	35	92154-4433	71	92161-2440	4	92173-1688	27	92192-2275	4	92210-0116	31
92154-1701	4	92154-4434	32	92161-2487	19	92173-1951	54	92192-2278	48	92210-0117	31
92154-1701	56	92154-4459	63	92161-2511	26	92173-2112	15	92192-2304	20	92210-0218	35
92154-1712	41	92154-4487	48	92170-1091	44	92173-2175	42	92192-2355	17	92210-0276	39
92154-1712	44	92154-7030	15	92170-1493	27	92173-2176	41	92192-2356	17	92210-0277	68
92154-1836	41	92154-7030	25	92170-1872	27	92173-2177	45	92192-2357	17	92210-0384	8
92154-1865	43	92154-7031	1	92171-0068	56	92173-2178	45	92192-2358	17	92210-0534	28
92154-1865	45	92154-7032	15	92171-0316	12	92173-2179	44	92192-2359	17	92210-0784	36
92154-1884	12	92154-7033	22	92171-0316	23	92173-2193	42	92192-2360	17	92210-0823	28
92154-1893	27	92154-7034	27	92171-0316	51	92173-2194	56	92192-2603	4	92210-0850	10
92154-2107	48	92154-7035	20	92171-0534	57	92173-2198	23	92192-2685	4	92210-0867	65
92154-2165	32	92154-7036	25	92171-0573	20	92173-2199	12	92192-2695	4	92210-1081	29
92154-2168	29	92154-7049	29	92171-0652	56	92173-2199	18	92200-0036	28	92210-1139	32
92154-2302	41	92154-7050	29	92171-0677	4	92173-2199	24	92200-0174	5	92210-1203	29
92154-2335	18	92154-7075	8	92171-0818	44	92173-2199	56	92200-0190	1	92210-1312	5
92154-2344	30	92160-1116	5	92171-1973	48	92173-2400	4	92200-0209	28	92210-1323	26
92154-2355	42	92160-1162	4	92172-0003	56	92173-2516	5	92200-0273	14	92210-1585	39
92154-2355	56	92160-1162	48	92172-0183	46	92173-2521	34	92200-0386	24	92210-1596	12
92154-2548	48	92160-1167	50	92172-0320	42	92173-2522	42	92200-0556	14	92210-1597	12
92154-2731	12	92160-1167	53	92172-0334	24	92173-2552	13	92200-0585	54	92210-1746	28
92154-2734	15	92160-1167	63	92172-0427	53	92173-2588	15	92200-0719	21	92210-1839	47
92154-2799	33	92160-1190	54	92172-0427	54	92173-2588	23	92200-0772	33	92210-1902	31
92154-2801	42	92160-1613	50	92172-0483	4	92173-2657	34	92200-0780	57	99994-0803	70
92154-2806	63	92161-0056	35	92172-0790	19	92173-2681	1	92200-0790	22	99994-1217	72
92154-2820	22	92161-0117	57	92172-0821	35	92173-2681	4	92200-0906	40	99994-1472	72
92154-2900	49	92161-0118	57	92172-0821	48	92180-1014	6	92200-1009	21	99994-1824	71
92154-2939	23	92161-0163	54	92172-0821	55	92180-1016	6	92200-1087	4	99994-1868	66
92154-3764	19	92161-0203	56	92172-0821	64	92180-1018	6	92200-1251	34	99994-1869	67
92154-3869	57	92161-0303	39	92172-0856	35	92180-1020	6	92200-1389	10	99994-1871-63Y	68
92154-3921	46	92161-0776	54	92172-0891	4	92180-1022	6	92200-1446	12	99994-1871-777	68
92154-3922	46	92161-0951	19	92172-1140	46	92180-1024	6	92200-1730	48	99994-1872	69



**'24-'25 ZX400 SRFNN/SSFAN****Part Name Index**

Accessory(Helmet Lock etc.)	71
Accessory(Pillion Seat Cover)	68
Accessory(Radiator Trim)	65
Accessory(Seat)	69
Accessory(Slider)	66
Accessory(Tank Bag)	70
Accessory(Tank Pads and Meter Film)	72
Accessory(Windshield)	67
Air Cleaner	4
Brake Pedal	40
Brake Piping	41
Cables	51
Camshaft(s)/Tensioner	7
Chassis Electrical Equipment	56/56-1
Clutch	9
Cowling	63
Cowling Lowers	64
Crankcase	13
Crankcase Bolt Pattern	14
Crankshaft	8
Cylinder Head	1
Cylinder Head Cover	2
Cylinder/Piston(s)	3
Decals(Gray)(SSFAN)	62
Decals(Green)(SRFNN)	60
Decals(Green)(SSFAN)	61
Engine Cover(s)	15
Engine Mount	29
Footrests	33
Frame	28
Frame Fittings	30
Front Brake	43
Front Fender(s)	34
Front Fork	47
Front Hub	38
Front Master Cylinder	42
Fuel Evaporative System	20
Fuel Injection	19
Fuel Pump	18
Fuel Tank	48

Gear Change Drum/Shift Fork(s)	11
Gear Change Mechanism	12
Generator	22
Handlebar	46
Headlight(s)	53
Ignition Switch	57/57-1
Ignition System	23
Labels	59
Meter(s)	50
Muffler(s)	5
Oil Pan	16
Oil Pump	21
Owner's Tools	58
Radiator	26
Rear Brake	45
Rear Fender(s)	35
Rear Hub	39
Rear Master Cylinder	44
Seat	49
Side Covers/Chain Cover	52
Stand(s)	36
Starter Motor	24
Suspension/Shock Absorber	32
Swingarm	31
Taillight(s)	54
Throttle	17
Tires	37
Transmission	10
Turn Signals	55
Valve(s)	6
Water Pipe	27
Water Pump	25





**'24-'25 ZX400 SRFNN/SSFAN(SE)**

**(Ninja ZX-4RR)**