

PARTS CATALOGUE



SCOOTERS

SBA0AG(CL)

XCITING R500i



Release Date : 2012/03/27
Print Date : 2012/05/11

ABOUT THIS PARTS LIST

- This parts list is compiled all service parts for model SBA0AG(CL).
- Any difference between color chart and motorcycle will be revised according to motorcycle.
- The Mark:
 1. Marking "***" must add color code in the end before ordering parts.
 2. Marking "#" are parts with modification, Please find the details from e-Parts system.
- When modification or additions to this parts list are made a revised edition at an appropriate time.



CONTENTS

● ABOUT THIS PARTS LIST	1
● COLOR CHART OF SBA0AG(CL)	3
● CONTENTS-ENGINE GROUP	11
● CONTENTS-FRAME GROUP	12
● ENGINE PARTS LIST	15
● FRAME PARTS LIST	59
● PART NO. INDEX	151

NO	MODEL			COLOR CHART OF SBA0AG(CL)			
	PHOTO NO			NO. 1	NO. 2	NO. 3	NO. 4
	BASIC COLOR			Bright Blue	Bright Silver	Dark Gray Metallic	Dark Gray Metallic
	CODE			Bright Blue	Bright Silver	Dark Gray Metallic	Dark Gray Metallic
	PARTS NAME	PARTS NO.	VERSION	PB107MA	NH045MA	NH124MA	NH230MA
1	FENDER FR	61100-LBA2-315	0	DG2	D0C	D0M	D1J
2	MOLDING FR	64302-LBA2-305	0				
3	SKIRT R SIDE	64305-LBA2-E00	2	D1R			
4	SKIRT L SIDE	64306-LBA2-E00	2				
5	GRID R FR MOLDING	64303-LBA2-E00	2	E4R			
6	GRID L FR MOLDING	64304-LBA2-E00	2				
7	CALIPER ASSY. RR	43100-LDG7-E03	2	EBA			
8	CALIPER ASSY. FR L	45100-LDG7-E03	3				
9	CALIPER ASSY. FR R	45200-LDG7-E03	3				
10	COVER ASSY R CRANK	11330-LBA2-E00	3	HJA			
11	WATER PUMP ASSY	19200-LBA2-E00	14				
12	WHEEL CAST	42601-LFH1-E00	4				
13	BRACKET CABLE	43146-LBA2-E00	0				
14	WHEEL SET FR	44650-LBA2-305	0				
15	FORK ASSY RR	52000-LFH1-E00	2				
16	CAP A.C.G	90084-LEA5-001	1				
17	FRONT COVER COMP L	1134B-LDG7-E00	3	HJP			
18	TAIL CAP MUFFLER	18306-LBA2-E00	1				
19	MUFFLER ASSY.. EXH.	1830A-LDG7-900	5				
20	PROTECTOR MUFFLER	18318-LBA2-M30	2				
21	COVER R SIDE	83520-LBA2-E00	2				
22	COVER L SIDE	83620-LBA2-E00	2	HJS			
23	PROTECTOR EXH PIPE	18325-LBA2-E00	4				
24	WIND SCREEN	64220-LDG7-E00	1	LFR			
25	LEVER R STRG HANDLE	53175-LBA2-E00	0	M3A			
DATE OF STARTING-SALES							
DATE OF END-SALES							

NO	MODEL			COLOR CHART OF SBA0AG(CL)					
	PHOTO NO			NO. 5	NO. 6	NO. 7			
	BASIC COLOR			Pearly White	Ruby Red	Orange			
	CODE			Pearly White	Ruby Red	Orange			
	PARTS NAME	PARTS NO.	VERSION	NH193PA	RR004CA	YR168PA			
1	FENDER FR	61100-LBA2-315	0	D1S	DD2	DKC			
2	MOLDING FR	64302-LBA2-305	0						
3	SKIRT R SIDE	64305-LBA2-E00	2	D1R					
4	SKIRT L SIDE	64306-LBA2-E00	2						
5	GRID R FR MOLDING	64303-LBA2-E00	2	E4R					
6	GRID L FR MOLDING	64304-LBA2-E00	2						
7	CALIPER ASSY. RR	43100-LDG7-E03	2	EBA					
8	CALIPER ASSY. FR L	45100-LDG7-E03	3						
9	CALIPER ASSY. FR R	45200-LDG7-E03	3						
10	COVER ASSY R CRANK	11330-LBA2-E00	3	HJA					
11	WATER PUMP ASSY	19200-LBA2-E00	14						
12	WHEEL CAST	42601-LFH1-E00	4						
13	BRACKET CABLE	43146-LBA2-E00	0						
14	WHEEL SET FR	44650-LBA2-305	0						
15	FORK ASSY RR	52000-LFH1-E00	2	HJP					
16	CAP A.C.G	90084-LEA5-001	1						
17	FRONT COVER COMP L	1134B-LDG7-E00	3						
18	TAIL CAP MUFFLER	18306-LBA2-E00	1						
19	MUFFLER ASSY.. EXH.	1830A-LDG7-900	5	HJS					
20	PROTECTOR MUFFLER	18318-LBA2-M30	2						
21	COVER R SIDE	83520-LBA2-E00	2						
22	COVER L SIDE	83620-LBA2-E00	2	LFR					
23	PROTECTOR EXH PIPE	18325-LBA2-E00	4						
24	WIND SCREEN	64220-LDG7-E00	1	M3A					
25	LEVER R STRG HANDLE	53175-LBA2-E00	0						
DATE OF STARTING-SALES									
DATE OF END-SALES									

NO	MODEL			COLOR CHART OF SBA0AG(CL)			
	PHOTO NO			NO. 1	NO. 2	NO. 3	NO. 4
	BASIC COLOR			Bright Blue	Bright Silver	Dark Gray Metallic	Dark Gray Metallic
	CODE			Bright Blue	Bright Silver	Dark Gray Metallic	Dark Gray Metallic
	PARTS NAME	PARTS NO.	VERSION	PB107MA	NH045MA	NH124MA	NH230MA
26	LEVER L STRG HANDLE	53178-LBA2-E00	0	M3A			
27	CAP MASTER CYLINDER	45513-LEA7-E00	1	N1A			
28	GRIP COMP THROT	53140-KKC4-900	0	N1R			
29	GRIP L HANDLE	53166-KGB5-900	0				
30	COVER METER FR	53203-LBA2-E00	2				
31	COVER METER RR	53204-LBA2-E00	3				
32	COVER HNDL UP	53205-LBA2-E02	1				
33	COVER R HANDLE LOW	53206-LBA2-E00	1				
34	HOLDER ASSY WIND	6423A-LBA2-E00	1				
35	COVER WIND SCREEN	64250-LBA2-E00	2				
36	FLOOR PANEL	64310-LBA2-E00	4				
37	COVER R PILLION STEP	64311-LBA2-E00	1				
38	MAT R FLOOR	64320-LBA2-E00	2				
39	MAT L FLOOR	64330-LBA2-E00	2				
40	COWL UNDER	64400-LBA2-E00	2				
41	FENDER RR	80105-LBA2-M30	1				
42	COVER CENTER	80151-LBA2-E00	1				
43	LEG SHIELD	81131-LBA2-E01	2				
44	LID ASSY INNER BOX	8114A-LBA2-E00	1				
45	BAND HARNESS WIRE	90656-KUDU-900	0				
46	EMB ENG COVER	11345-LDG7-E00	3	N8F			
47	COVER R BODY	83500-LBA2-E00	3	BAM	N8P	NFP	HKP
48	COVER L BODY	83600-LBA2-E00	3				
49	COVER RR CENTER	83750-LBA2-E00	2				
50	BRACKET	43110-LBA2-E00	0	NEA			
DATE OF STARTING-SALES							
DATE OF END-SALES							

NO	MODEL			COLOR CHART OF SBA0AG(CL)			
	PHOTO NO			NO. 5	NO. 6	NO. 7	
	BASIC COLOR			Pearly White	Ruby Red	Orange	
	CODE			Pearly White	Ruby Red	Orange	
	PARTS NAME	PARTS NO.	VERSION	NH193PA	RR004CA	YR168PA	
26	LEVER L STRG HANDLE	53178-LBA2-E00	0	M3A			
27	CAP MASTER CYLINDER	45513-LEA7-E00	1	N1A			
28	GRIP COMP THROT	53140-KKC4-900	0	N1R			
29	GRIP L HANDLE	53166-KGB5-900	0				
30	COVER METER FR	53203-LBA2-E00	2				
31	COVER METER RR	53204-LBA2-E00	3				
32	COVER HNDL UP	53205-LBA2-E02	1				
33	COVER R HANDLE LOW	53206-LBA2-E00	1				
34	HOLDER ASSY WIND	6423A-LBA2-E00	1				
35	COVER WIND SCREEN	64250-LBA2-E00	2				
36	FLOOR PANEL	64310-LBA2-E00	4				
37	COVER R PILLION STEP	64311-LBA2-E00	1				
38	MAT R FLOOR	64320-LBA2-E00	2				
39	MAT L FLOOR	64330-LBA2-E00	2				
40	COWL UNDER	64400-LBA2-E00	2				
41	FENDER RR	80105-LBA2-M30	1				
42	COVER CENTER	80151-LBA2-E00	1				
43	LEG SHIELD	81131-LBA2-E01	2				
44	LID ASSY INNER BOX	8114A-LBA2-E00	1				
45	BAND HARNESS WIRE	90656-KUDU-900	0				
46	EMB ENG COVER	11345-LDG7-E00	3	N8F			
47	COVER R BODY	83500-LBA2-E00	3	NVP	R1P	YFP	
48	COVER L BODY	83600-LBA2-E00	3				
49	COVER RR CENTER	83750-LBA2-E00	2				
50	BRACKET	43110-LBA2-E00	0	NEA			
DATE OF STARTING-SALES							
DATE OF END-SALES							

NO	MODEL			COLOR CHART OF SBA0AG(CL)							
	PHOTO NO			NO. 1	NO. 2	NO. 3	NO. 4				
	BASIC COLOR			Bright Blue	Bright Silver	Dark Gray Metallic	Dark Gray Metallic				
	CODE			Bright Blue	Bright Silver	Dark Gray Metallic	Dark Gray Metallic				
	PARTS NAME	PARTS NO.	VERSION	PB107MA	NH045MA	NH124MA	NH230MA				
51	BRACKET COMP FR	45110-LBA2-305	0	NEA							
52	BRACKET COMP FR	45210-LBA2-305	0								
53	FORK ASSY R FR	51400-LBA2-E00	10								
54	BOTTOM CASE R	51421-LBA2-E00	0								
55	FORK ASSY L FR	51500-LBA2-E00	10								
56	BOTTOM CASE L	51521-LBA2-E00	0								
57	RR COVER L COVER	11343-LDG7-E00	2	NEP							
58	MIRROR ASSY R BACK	88110-LBA2-E02	2								
59	MIRROR ASSY L BACK	88120-LBA2-E02	2								
60	CUSHION ASSY R RR	52400-LBA2-E00	5	NES							
61	END HANDLE	53102-LEA5-E00	3								
62	END R STRG HANDLE	53105-LEA5-E00	3								
63	CARRIER RR	81200-LBA2-E00	2					BAM	NJP	NFP	HKP
64	SEAT ASSY	77200-LDG7-E00	1								
65	SEAT ASSY PAD	77220-LDG7-E00	0	T01							
66	STRIPE R FR FENDER	86161-LDG7-E00	1								
67	STRIPE L FR FENDER	86171-LDG7-E00	1								
68	EMB BODY COVER	86202-LDG7-E00	2								
69	STRIPE R FR MOLD	86282-LDG7-E00	1								
70	STRIPE L FR MOLD	86283-LDG7-E00	1								
71	MARK EVAPORATION	87122-LDG7-M31	1								
72	EMB MARK KYMCO	87206-LBA2-E00	2								
73	STRIPE MARK 500	87311-LBA2-E00	5								
74	EMB R MARK	87311-LDG7-E00	3								
75	LABEL TIRE	87505-LBA2-E00	1								
DATE OF STARTING-SALES											
DATE OF END-SALES											

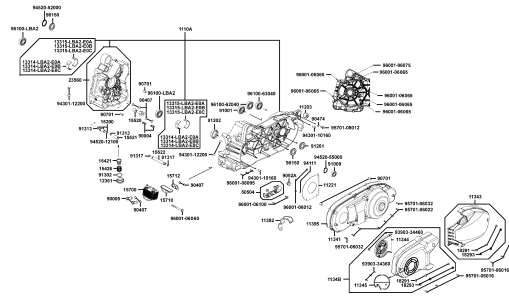
NO	MODEL			COLOR CHART OF SBA0AG(CL)						
	PHOTO NO			NO. 5	NO. 6	NO. 7				
	BASIC COLOR			Pearly White	Ruby Red	Orange				
	CODE			Pearly White	Ruby Red	Orange				
	PARTS NAME	PARTS NO.	VERSION	NH193PA	RR004CA	YR168PA				
51	BRACKET COMP FR	45110-LBA2-305	0	NEA						
52	BRACKET COMP FR	45210-LBA2-305	0							
53	FORK ASSY R FR	51400-LBA2-E00	10							
54	BOTTOM CASE R	51421-LBA2-E00	0							
55	FORK ASSY L FR	51500-LBA2-E00	10							
56	BOTTOM CASE L	51521-LBA2-E00	0							
57	RR COVER L COVER	11343-LDG7-E00	2	NEP						
58	MIRROR ASSY R BACK	88110-LBA2-E02	2							
59	MIRROR ASSY L BACK	88120-LBA2-E02	2							
60	CUSHION ASSY R RR	52400-LBA2-E00	5	NES						
61	END HANDLE	53102-LEA5-E00	3							
62	END R STRG HANDLE	53105-LEA5-E00	3							
63	CARRIER RR	81200-LBA2-E00	2	NVP	R1P	YFP				
64	SEAT ASSY	77200-LDG7-E00	1	T01						
65	SEAT ASSY PAD	77220-LDG7-E00	0							
66	STRIPE R FR FENDER	86161-LDG7-E00	1							
67	STRIPE L FR FENDER	86171-LDG7-E00	1							
68	EMB BODY COVER	86202-LDG7-E00	2							
69	STRIPE R FR MOLD	86282-LDG7-E00	1							
70	STRIPE L FR MOLD	86283-LDG7-E00	1							
71	MARK EVAPORATION	87122-LDG7-M31	1							
72	EMB MARK KYMCO	87206-LBA2-E00	2							
73	STRIPE MARK 500	87311-LBA2-E00	5							
74	EMB R MARK	87311-LDG7-E00	3							
75	LABEL TIRE	87505-LBA2-E00	1							
DATE OF STARTING-SALES										
DATE OF END-SALES										

NO	MODEL			COLOR CHART OF SBA0AG(CL)			
	PHOTO NO			NO. 1	NO. 2	NO. 3	NO. 4
	BASIC COLOR			Bright Blue	Bright Silver	Dark Gray Metallic	Dark Gray Metallic
	CODE			Bright Blue	Bright Silver	Dark Gray Metallic	Dark Gray Metallic
	PARTS NAME	PARTS NO.	VERSION	PB107MA	NH045MA	NH124MA	NH230MA
76	MARK OF CANISTER	87507-LDG7-M31	1	T01			
77	LABEL CLEANNESS	87508-KKC4-E00	1				
78	CAUTION FILTER	87512-LBA2-E00	2				
79	CAUTION SIDE STAND	87541-GAR1-E00	1				
80	CAUTION MOBILE	87541-KKC2-E00	1				
81	MARK MAINT CAUTION	87542-GAR1-E00	2				
82	MARK DRIVE CAUTION	87560-GFY6-E00	3				
83	EMB I MARK	87140-LDG7-E00	2				
				T02			
DATE OF STARTING-SALES							
DATE OF END-SALES							

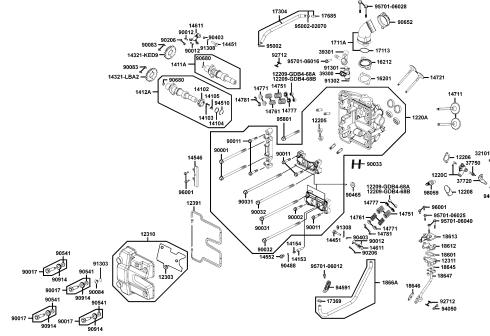
NO	MODEL			COLOR CHART OF SBA0AG(CL)			
	PHOTO NO			NO. 5	NO. 6	NO. 7	
	BASIC COLOR			Pearly White	Ruby Red	Orange	
	CODE			Pearly White	Ruby Red	Orange	
	PARTS NAME	PARTS NO.	VERSION	NH193PA	RR004CA	YR168PA	
76	MARK OF CANISTER	87507-LDG7-M31	1	T01			
77	LABEL CLEANNESS	87508-KKC4-E00	1				
78	CAUTION FILTER	87512-LBA2-E00	2				
79	CAUTION SIDE STAND	87541-GAR1-E00	1				
80	CAUTION MOBILE	87541-KKC2-E00	1				
81	MARK MAINT CAUTION	87542-GAR1-E00	2				
82	MARK DRIVE CAUTION	87560-GFY6-E00	3				
83	EMB I MARK	87140-LDG7-E00	2	T02			
DATE OF STARTING-SALES							
DATE OF END-SALES							

CONTENTS - ENGINE GROUP

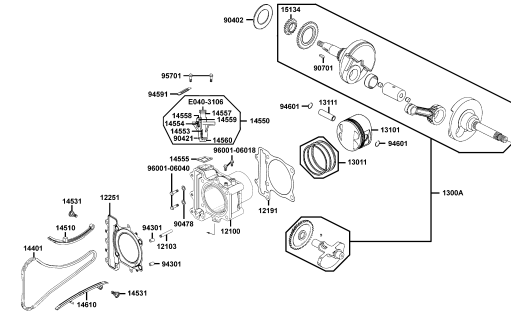
E01 Crank Case



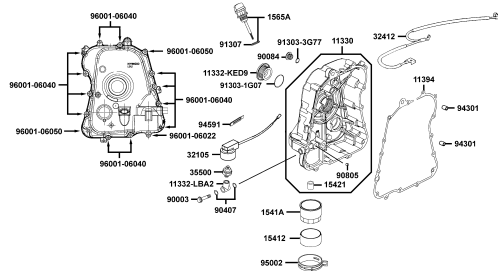
E02 Cylinder Head CoverCylinder



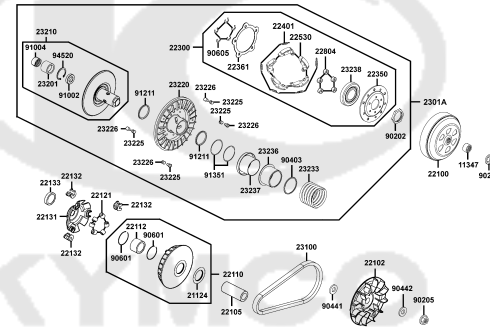
E03 CylinderPistonCrankshaft



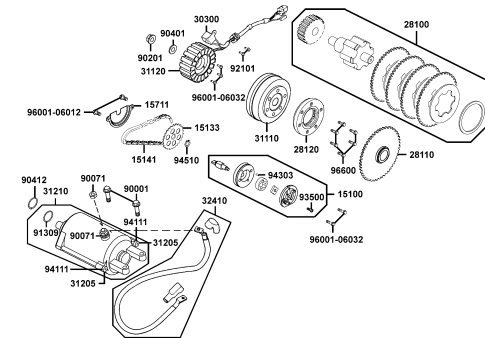
E04 Right Crankcase Cover



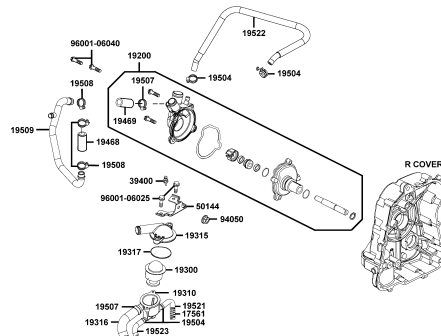
E05 Transmission Pulley



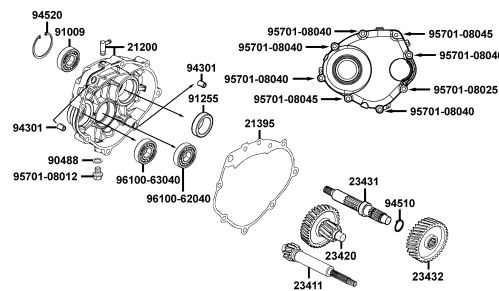
E06 Starting MotorGenerator



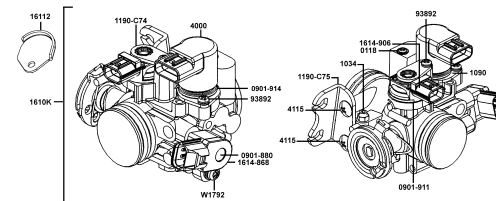
E07 GeneratorWater Pump



E08 Transmission

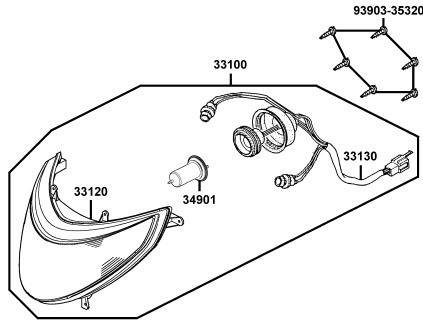


E09 Throttle Body

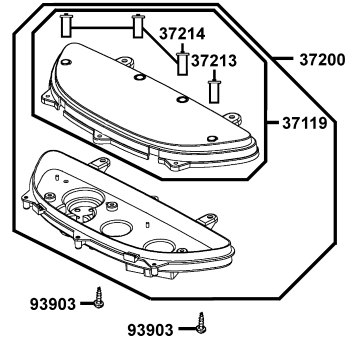


CONTENTS - FRAME GROUP

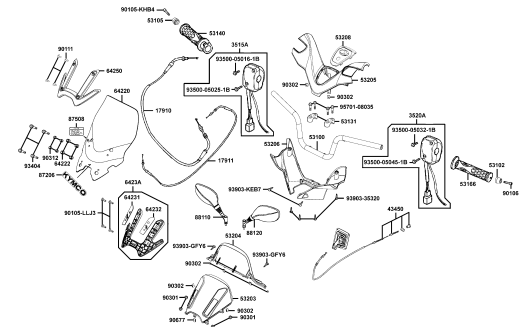
F01 Head Light



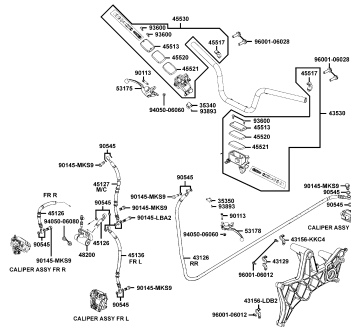
F02 Speed meter



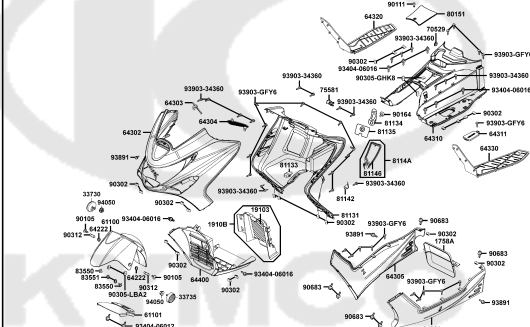
F03 Handle Steering Handle Cover



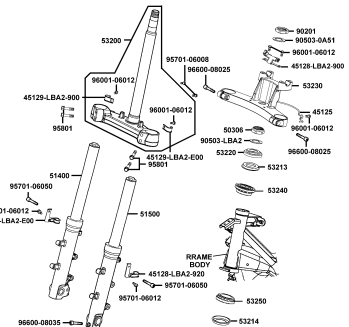
F04 Brake Master Cylinder



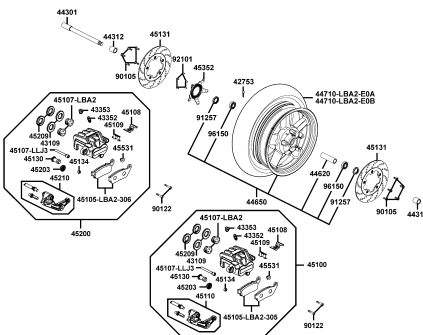
F05 Front Cover Floor Panel



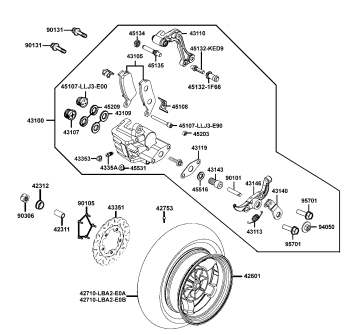
F06 Front Cushion



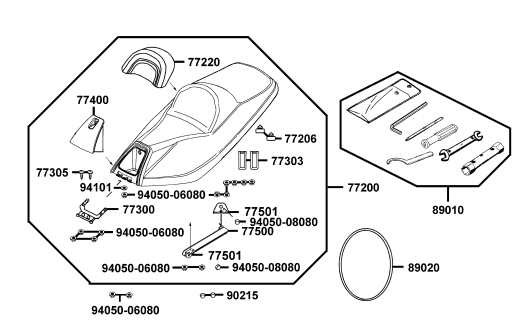
F07 Front Wheel



F08 Rear Wheel

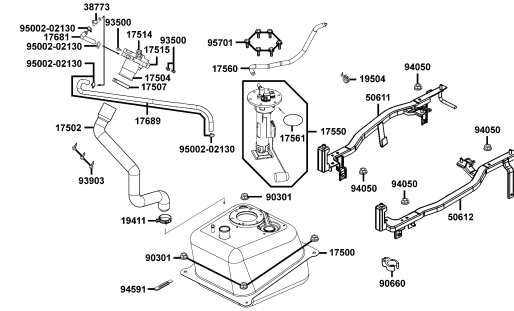


F09 Seat

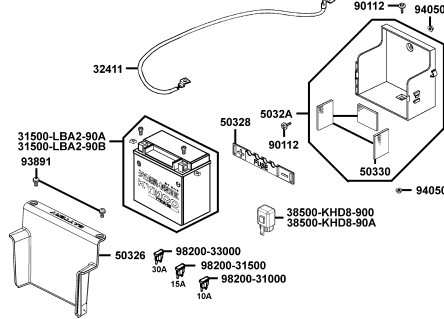


CONTENTS - FRAME GROUP

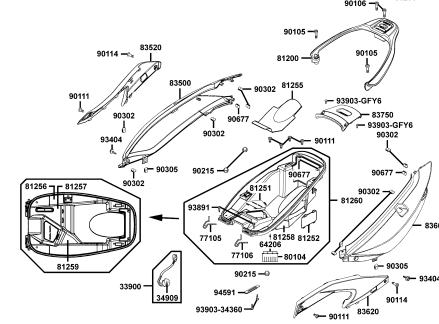
F10 Fuel Tank



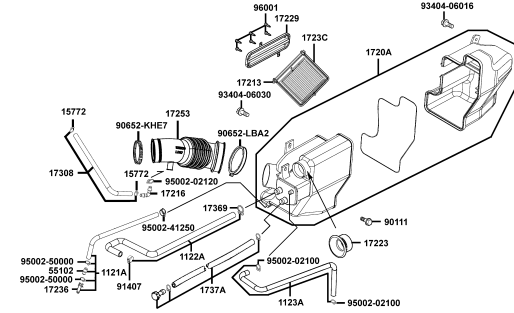
F11 Battery



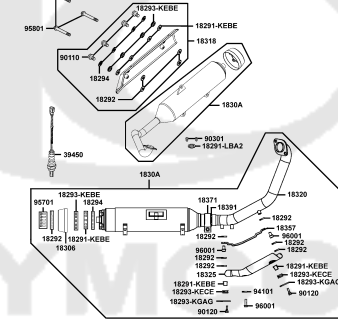
F12 Body Cover Luggage Box



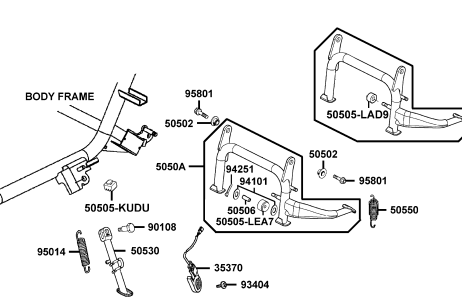
F13 Air Cleaner



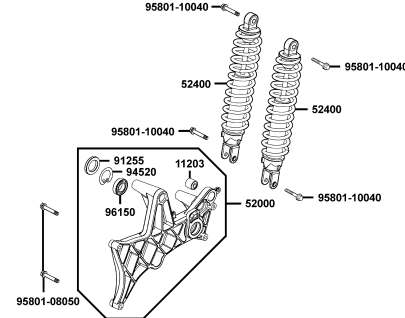
F14 Exhaust Muffler



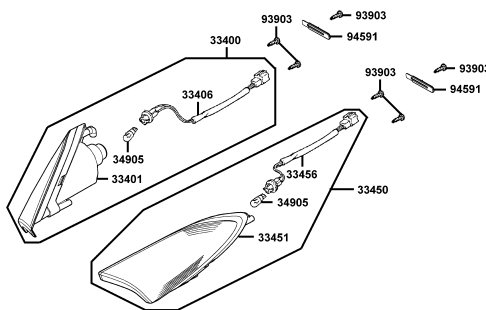
F15 Stand Kick Starter Arm



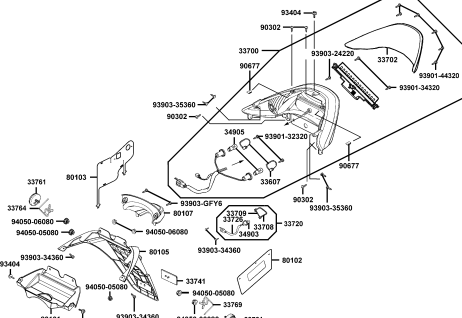
F16 Rear Cushion



F17 Front Winker



F18 Rear Light Rear Fender

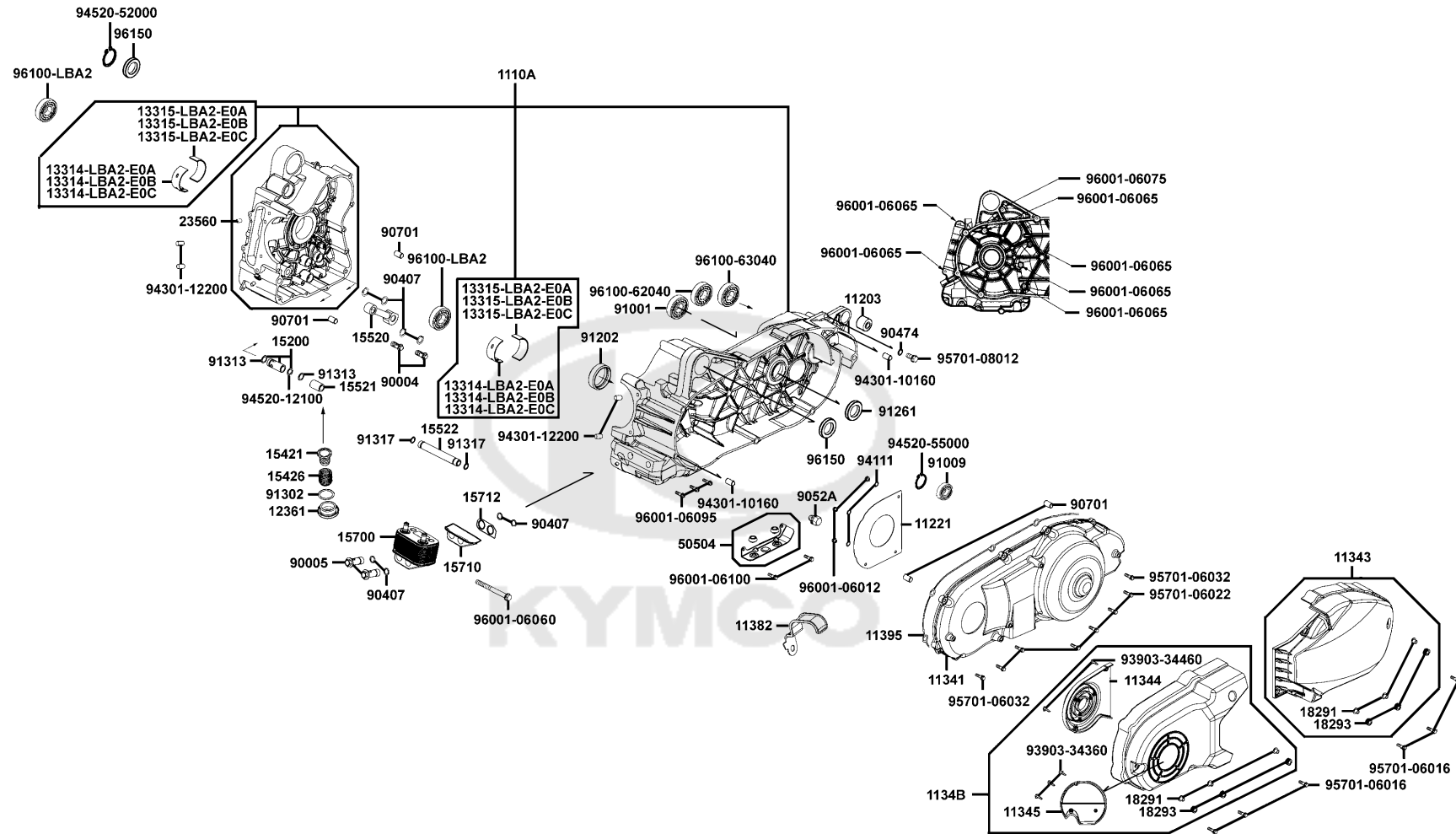


CONTENTS - FRAME GROUP

F19 Wire Harness	F20 Frame Body	F21 Radiator
F22 Separated Parts Of Fr Fork	F23 Air Cleaner Two	F24 Canister
F25 Caution Label	F26 EmblemStripe	

E01

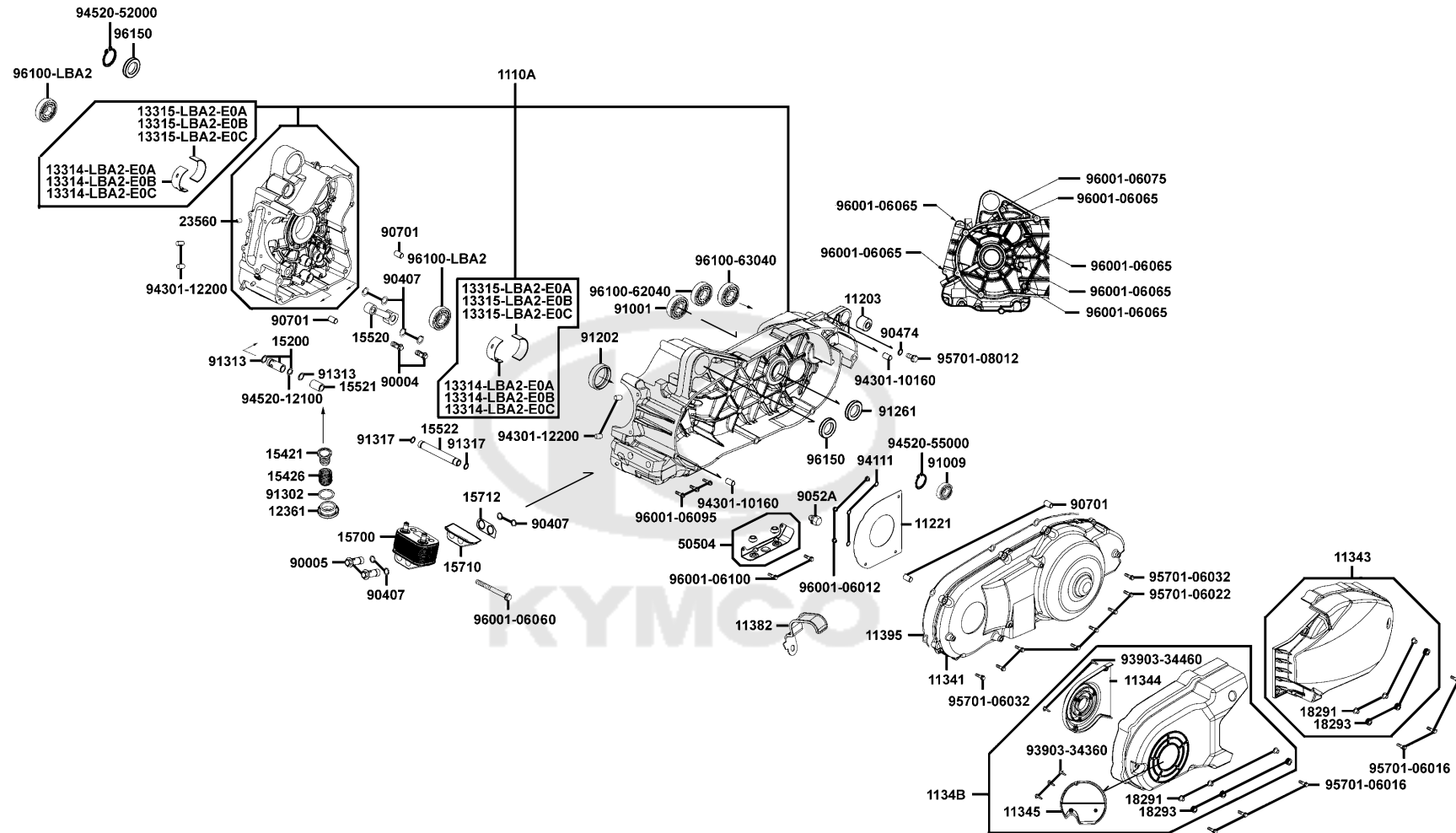
Crank Case



Sales mark	Ref no	Part no	Description	Reg description	Regd no	E01
	1110A	1110A-LBA2-E00	CASE ASSY R/L CRANK	CASE ASSY R/L CRANK	1	
	11203	11203-LBA2-E00	RUB BUSH L CASE	RUB BUSH L CASE	1	
	11221	11221-LBA2-E00	INSULATOR PLATE	INSULATOR PLATE	1	
	11341	11341-LBA2-E01	COVER LEFT	COVER LEFT	1	
**	11343	11343-LDG7-E00	RR COVER L COVER	RR COVER L COVER	1	
	11344	11344-LBA2-E00	INNER COVER L COVER	INNER COVER L COVER	1	
**	11345	11345-LDG7-E00	EMB ENG COVER	EMB ENG COVER	1	
**	1134B	1134B-LDG7-E00	FRONT COVER COMP L COVER	FRONT COVER COMP L COVER	1	
	11382	11382-LDG7-900	CLAMPER INJECTOR WIRE	CLAMPER INJECTOR WIRE	1	
	11395	11395-LBA2-E00	GASKET L COVER @ A	GASKET L COVER @ A	1	
	12361	12361-GFY6-901	HOLE CAP TAPPET ADJUSTING	HOLE CAP TAPPET ADJUSTING	1	
	13314-LBA2-E0A	13314-LBA2-E0A	BRG CRANK SHAFT A	BRG CRANK SHAFT A	2	
	13314-LBA2-E0B	13314-LBA2-E0B	BRG CRANK SHAFT B	BRG CRANK SHAFT B	2	
	13314-LBA2-E0C	13314-LBA2-E0C	BRG CRANK SHAFT C	BRG CRANK SHAFT C	2	
	13315-LBA2-E0A	13315-LBA2-E0A	BRG CRANK SHAFT A	BRG CRANK SHAFT A	2	
	13315-LBA2-E0B	13315-LBA2-E0B	BRG CRANK SHAFT B	BRG CRANK SHAFT B	2	
	13315-LBA2-E0C	13315-LBA2-E0C	BRG CRANK SHAFT C	BRG CRANK SHAFT C	2	
	15200	15200-LBA2-E00	OIL RELIEF VALVE ASSY	OIL RELIEF VALVE ASSY	1	
	15421	15421-1G07-001	SCREEN OIL FILTER	SCREEN OIL FILTER	1	
	15426	15426-GAE1-921	SPG OIL FILTER SCREEN	SPG OIL FILTER SCREEN	1	

E01

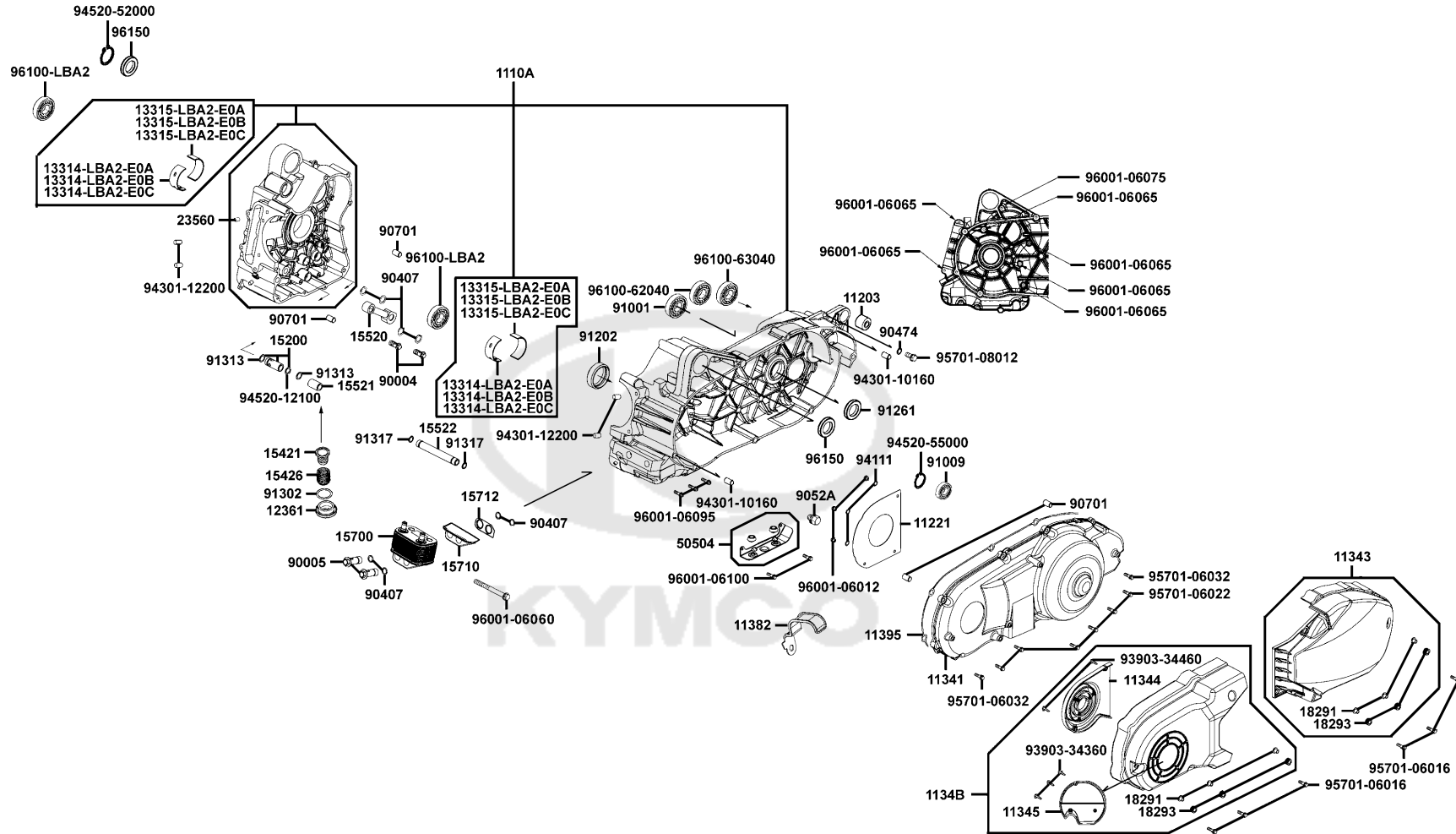
Crank Case



Sales mark	Ref no	Part no	Description	Reg description	Regd no	E01
15520		15520-LBA2-E00	PIPE COMP OIL	PIPE COMP OIL	1	
15521		15521-LBA2-E00	COLLAR OIL	COLLAR OIL	1	
15522		15522-LBA2-E00	PIPE OIL R/L CASE	PIPE OIL R/L CASE	1	
15700		15700-LBA2-E00	OIL WATER HEAT EXCHANGER	OIL WATER HEAT EXCHANGER	1	
15710		15710-LBA2-E00	BOTTOM OIL WATER	BOTTOM OIL WATER	1	
15712		15712-LBA2-E00	GASKET OIL WATER HEAT EXCHANGER	GASKET OIL WATER HEAT EXCHANGER	1	
18291		18291-KKC4-900	COLLAR	COLLAR	6	
18293		18293-KKC4-900	RUBBER	RUBBER	6	
23560		23560-LBA2-E00	ORIFICE R CASE	ORIFICE R CASE	1	
50504		50504-LBA2-E00	STAND MAIN STOPPER	STAND MAIN STOPPER	1	
90004		90004-LBA2-E00	BOLT B OIL PASS	BOLT B OIL PASS	2	
90005		90005-LBA2-E00	BOLT C OIL PASS	BOLT C OIL PASS	2	
90407		90407-LBA2-E00	SEALING WASHER OIL PIPE	SEALING WASHER OIL PIPE	8	
90474		90474-3C33-001	WASHER 8MM	WASHER 8MM	1	
9052A		9052A-GFY6-950	BOLT ASSY DRAIN PLUG	BOLT ASSY DRAIN PLUG	1	
90701		90701-9E65-001	PIN DOWEL 10*16	PIN DOWEL 10*16	4	
91001		91001-KHV8-004	BRG BALL RADIAL 6305	BRG BALL RADIAL 6305	1	
91009		91009-LBA2-E00	BRG BALL RADIAL 6006LLU/2A	BRG BALL RADIAL 6006LLU/2A	1	
91202		91202-LBA2-E00	OIL SEAL 35*47*7	OIL SEAL 35*47*7	1	
91261		91261-4E15-004	OIL SEAL 25*40*8	OIL SEAL 25*40*8	1	

E01

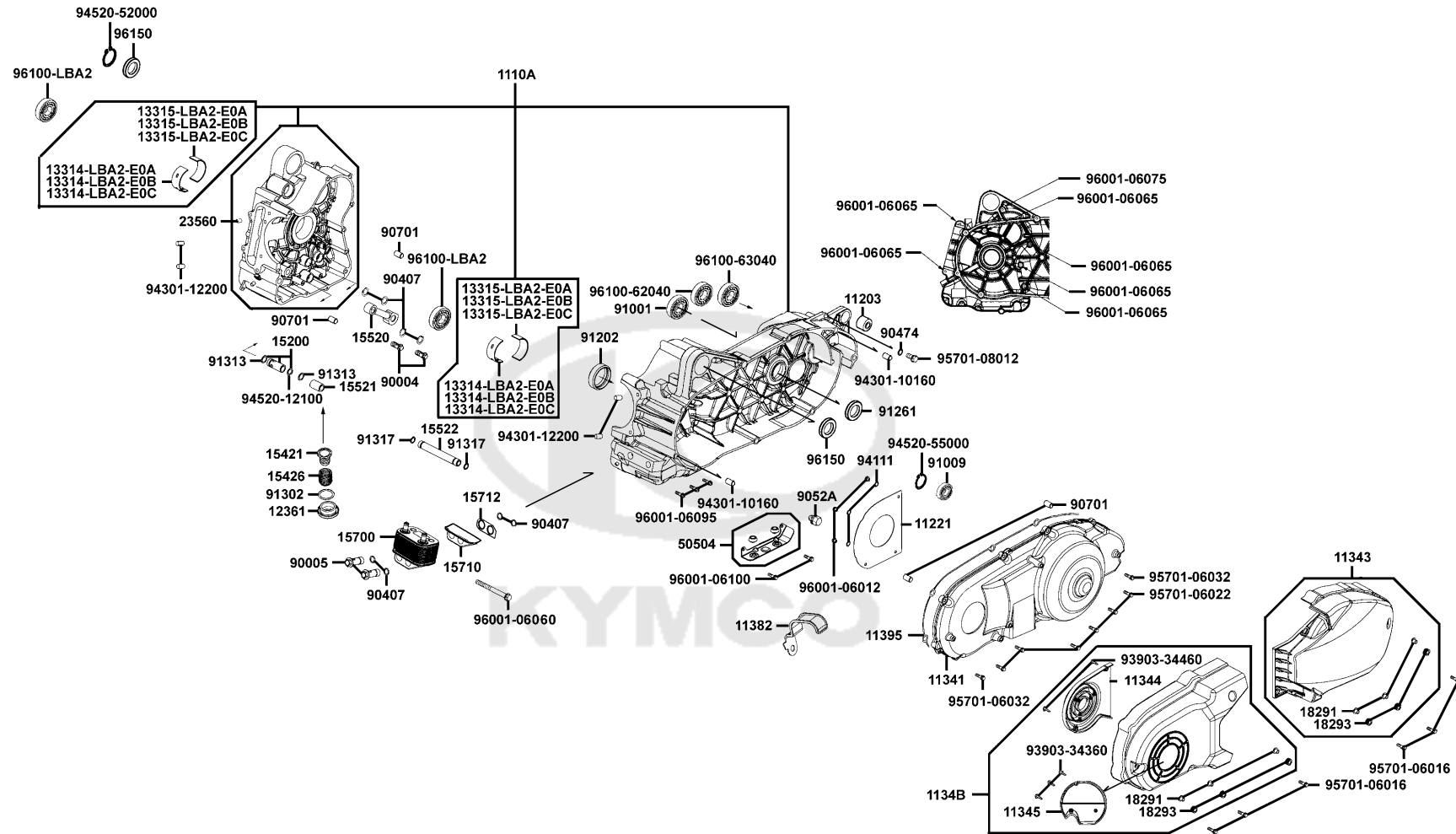
Crank Case



Sales mark	Ref no	Part no	Description	Reg description	Regd no	E01
91302		91302-0A01-021	O-RING 30.8M/M	O-RING 30.8M/M	1	
91313		91313-KED9-900	O-RING 15.5*1.5	O-RING 15.5*1.5	1	
91317		91317-LBA2-E00	O RING 13.5*1.5	O RING 13.5*1.5	2	
93903-34360		93903-34360	SCREW TAPPING 4*12 (G)	SCREW TAPPING 4*12 (G)	3	
93903-34460		93903-34460	SCREW TAPPING 4*16	SCREW TAPPING 4*16	2	
94111		94111-06800	WASHER SPRING 6MM	WASHER SPRING 6MM	3	
94301-10160		94301-10160	DOWEL PIN 10*16	DOWEL PIN 10*16	2	
94301-12200		94301-12200	DOWEL PIN 12*20	DOWEL PIN 12*20	4	
94520-12100		94520-12100	CIR CLIP IN 12	CIR CLIP IN 12	1	
94520-52000		94520-52000	CIR CLIP IN 52	CIR CLIP IN 52	1	
94520-55000		94520-55000	CIR CLIP IN 55	CIR CLIP IN 55	1	
95701-06016		95701-06016-02	BOLT FLANGE 6*16	BOLT FLANGE 6*16	6	
95701-06022		95701-06022-08	BOLT FLANGE 6*22	BOLT FLANGE 6*22	6	
95701-06032		95701-06032-08	BOLT FLANGE 6*32	BOLT FLANGE 6*32	2	
95701-08012		95701-08012-08	BOLT FLANGE 8*12	BOLT FLANGE 8*12	1	
96001-06012		96001-06012-08	BOLT FLANGE 6*12	BLOT FLANGE SH 6*12	3	
96001-06060		96001-06060-08	BOLT FLANGE SH 6*60	BOLT FLANGE SH 6*60	1	
96001-06065		96001-06065-08	BOLT FLANGE 6*65	BOLT FLANGE SH 6*65	6	
96001-06075		96001-06075-08	BOLT FLANGE SH 6*75	BOLT FLANGE SH 6*75	1	
96001-06095		96001-06095-08	BOLT FLANGE 6*95	BOLT FLANGE 6*95	3	

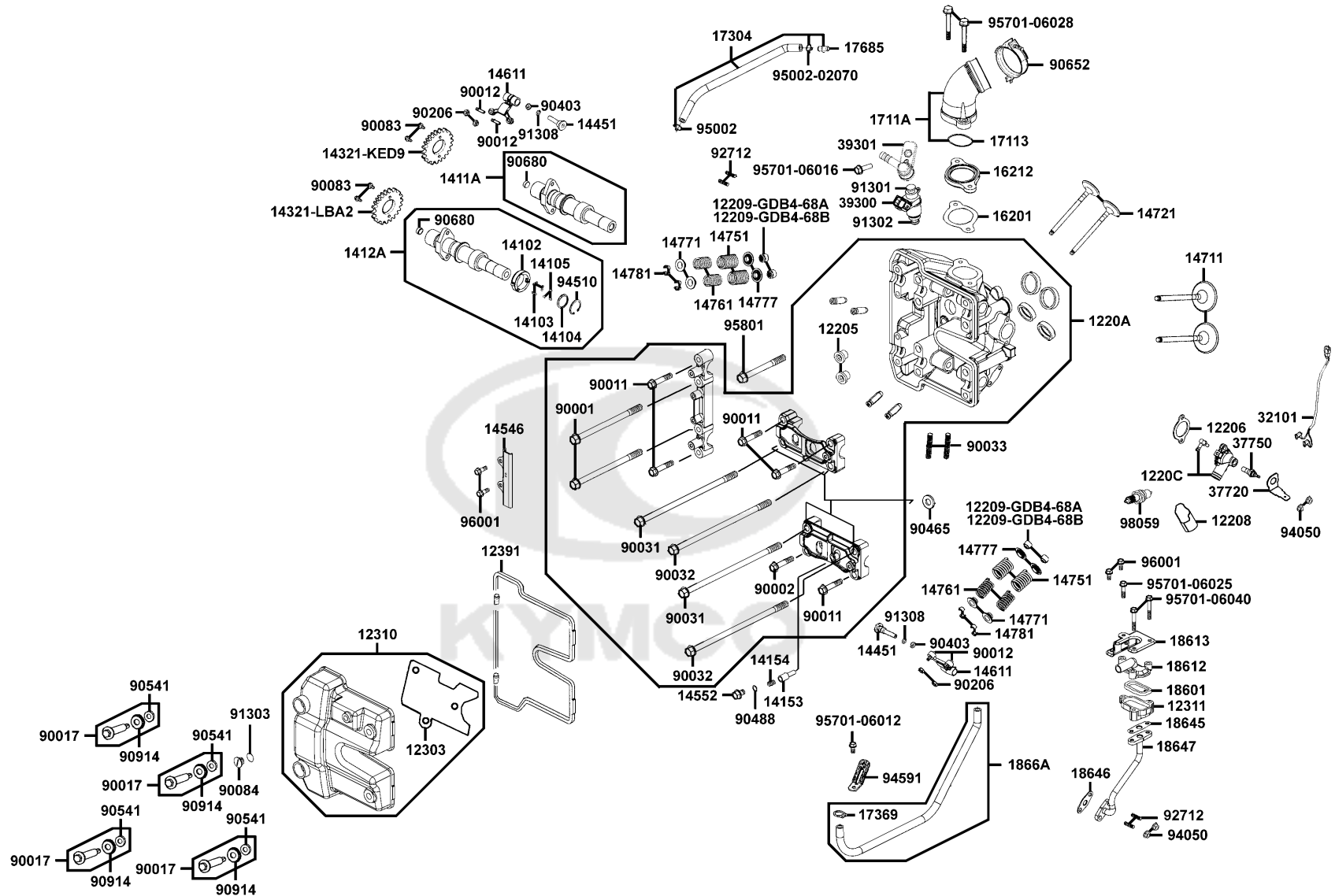
E01

Crank Case



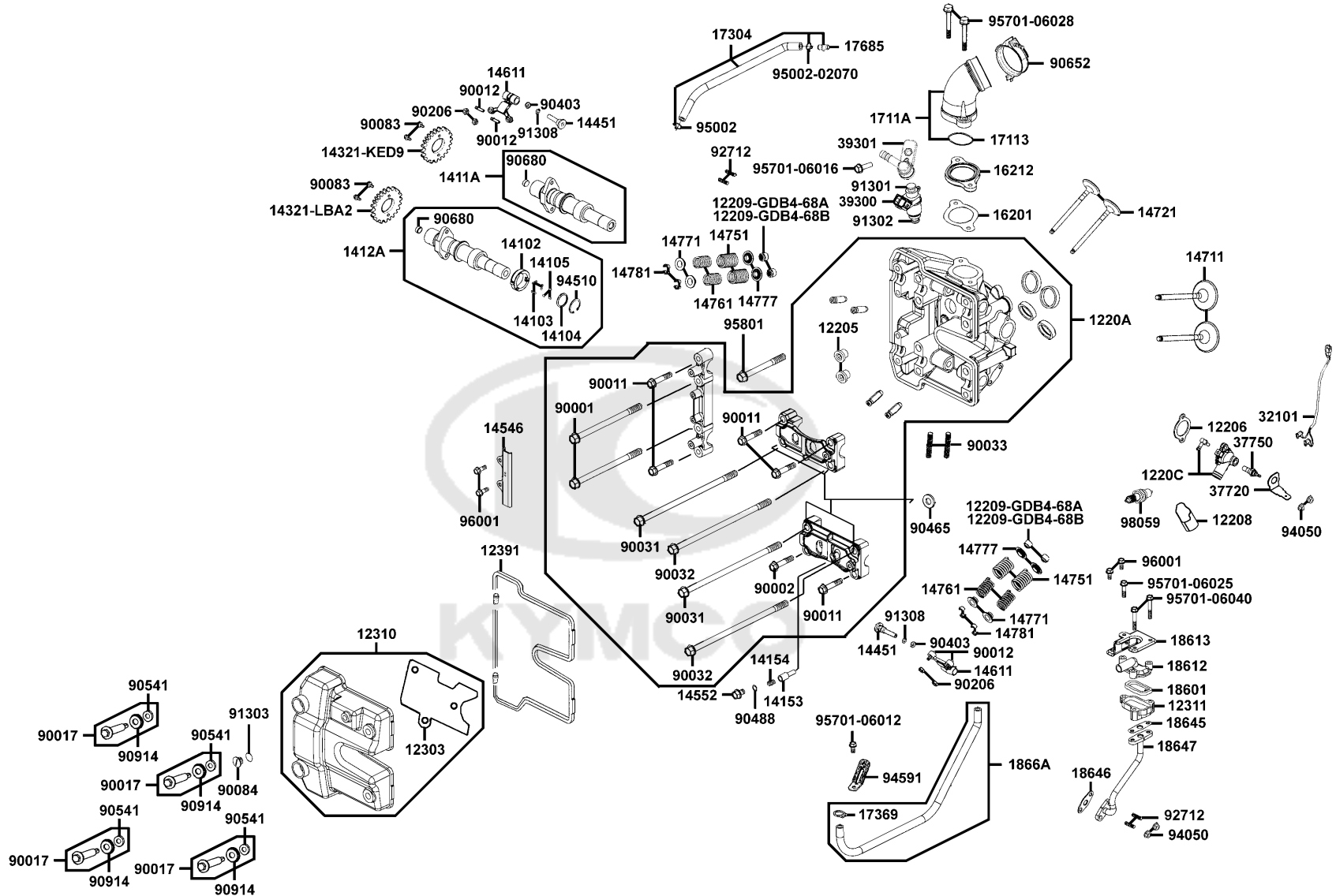
Sales mark	Ref no	Part no	Description	Reg description	Regd no	E01
	96001-06100	96001-06100-08	BOLT FLANGE SH 6*100	BOLT FLANGE SH 6*100 (C)	2	
	96100-62040	96100-62040-00	BEARING BALL RADIAL 6204	BEARING BALL RADIAL 6204	1	
	96100-63040	96100-63040-00	BRG BALL RADIAL 6304	BRG BALL RADIAL 6304	1	
	96100-LBA2	96100-LBA2-E00	BRG BALL RADIAL 6304	BRG BALL RADIAL 6304	2	
	96150	96150-60050-00	BEARING BALL RADIAL 6005	BEARING BALL RADIAL 6005	2	
						

Cylinder Head CoverCylinder Head

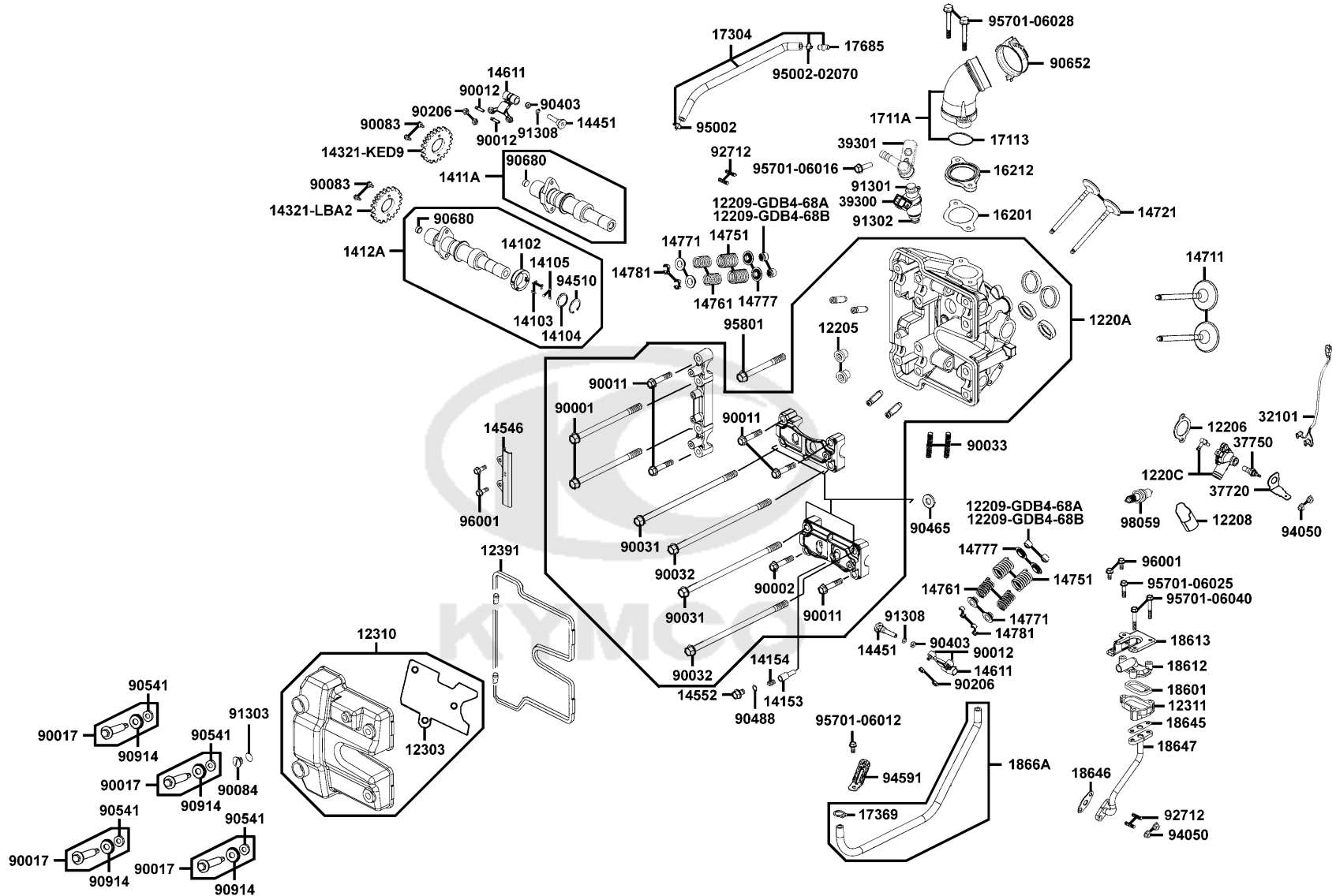


Sales mark	Ref no	Part no	Description	Reg description	Regd no	E02
	12205	12205-KHE8-301	BOLT SEALING 12MM	BOLT SEALING 12MM	2	
	12206	12206-LBA2-E00	GASKET WATER COVER	GASKET WATER COVER	1	
	12208	12208-LBA2-E00	STOPPER HEAD WATER	STOPPER HEAD WATER	1	
	12209-GDB4-68A	12209-GDB4-68A	SEAL VALVE STEM	SEAL VALVE STEM	4	
	12209-GDB4-68B	12209-GDB4-68B	SEAL VALVE STEM	SEAL VALVE STEM	4	
	1220A	1220A-LDG7-900	HEAD ASSY CYLNDER	HEAD ASSY CYLNDER	1	
	1220C	1220C-LBA2-E00	WATER COVER HEAD	WATER COVER HEAD	1	
	12303	12303-LBA2-E00	GASKET PLATE	GASKET PLATE	1	
	12310	12310-LBA2-E00	COVER COMP CYLN HEAD	COVER COMP CYLN HEAD	1	
	12311	12311-KBE2-900	BODY REED VALVE	BODY REED VALVE	1	
	12391	12391-LBA2-E00	SEAL HEAD COVER	SEAL HEAD COVER	1	
	14102	14102-LDG7-E00	CAM	CAM	1	
	14103	14103-GEN5-912	SPG ROLLER	SPG ROLLER	3	
	14104	14104-LBA2-E00	WASHER THRUST	WASHER THRUST	1	
	14105	14105-GEN5-910	ROLLER 3*5	ROLLER 3*5	3	
	1411A	1411A-LBA2-E00	CAMSHAFT INLET COMP	CAMSHAFT INLET COMP	1	
	1412A	1412A-LDG7-E00	CAMSHAFT EXH COMP	CAMSHAFT EXH COMP	1	
	14153	14153-LBA2-E00	STOPPER	STOPPER	1	
	14154	14154-LBA2-E00	SPRING STOPPER	SPRING STOPPER	1	
	14321-KED9	14321-KED9-900	SPROCKET CAMSHAFT	SPROCKET CAMSHAFT	1	

Cylinder Head CoverCylinder Head

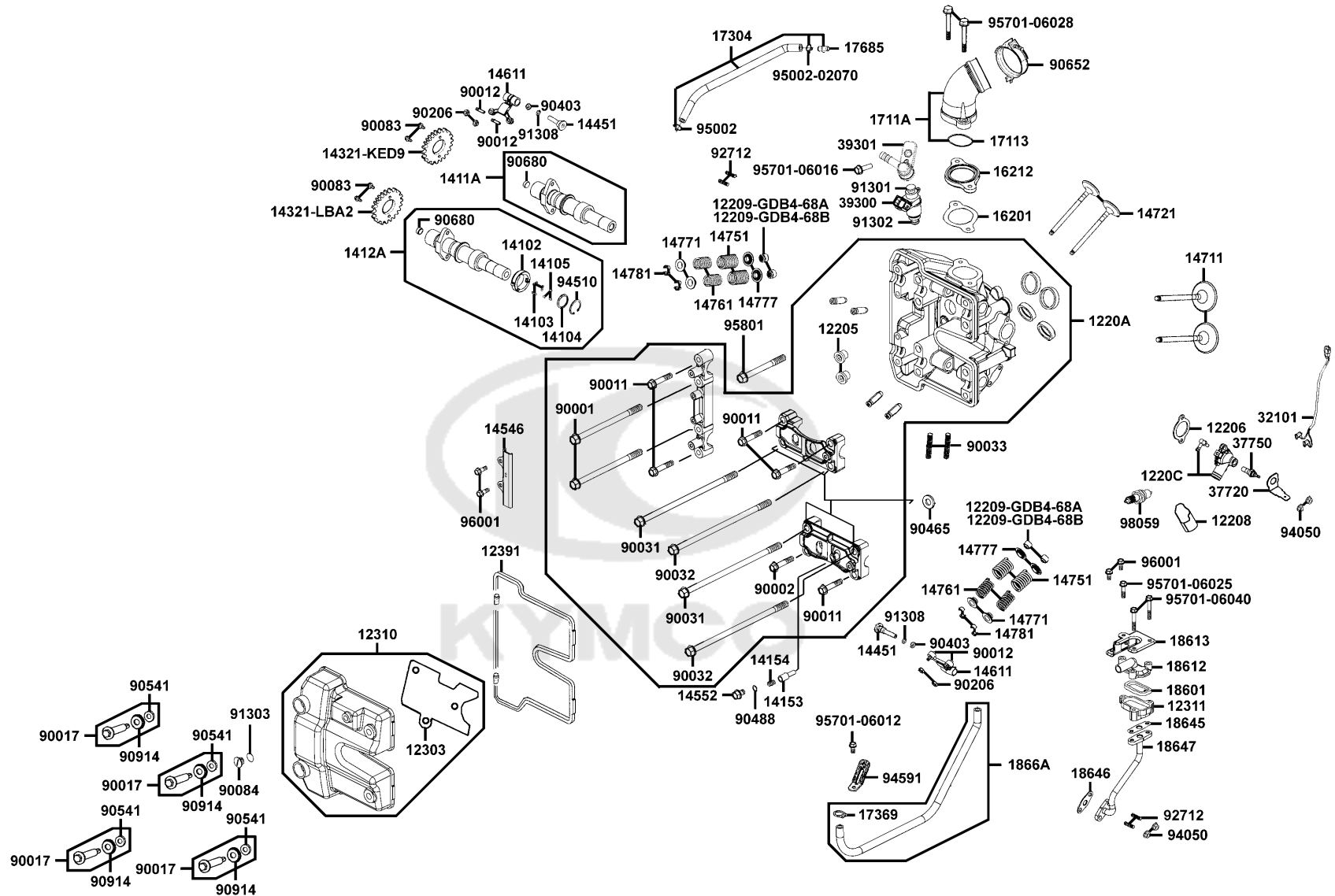


Sales mark	Ref no	Part no	Description	Reg description	Regd no	E02
	14321-LBA2	14321-LBA2-E00	SPROCKET CAMSHAFT	SPROCKET CAMSHAFT	1	
	14451	14451-LBA2-E00	SHAFT ROCKER ARM	SHAFT ROCKER ARM	2	
	14546	14546-LBA2-E00	GUIDE UPPER TENSIONER	GUIDE UPPER TENSIONER	1	
	14552	14552-KGBG-900	STOPPER BOLT	STOPPER BOLT	1	
	14611	14611-LBA2-E00	ARM VALVE ROCKER	ARM VALVE ROCKER	2	
	14711	14711-LDG7-900	VALVE INLET	VALVE INLET	2	
	14721	14721-LBA2-E00	VALVE EXHAUST	VALVE EXHAUST	2	
	14751	14751-LBA2-E00	SPG VALVE OUTER	SPG VALVE OUTER	4	
	14761	14761-LDG7-900	SPG VALVE INNER	SPG VALVE INNER	4	
	14771	14771-KED9-900	RETAINER VALVE SPRING	RETAINER VALVE SPRING	4	
	14777	14777-LBA2-E00	SEAT VALVE SPG	SEAT VALVE SPG	4	
	14781	14781-MFA6-001	COTTER VALVE	COTTER VALVE	8	
	16201	16201-LBA2-E00	GASKET CARB INSULATOR	GASKET CARB INSULATOR	1	
	16212	16212-LDG7-900	INSULATOR INLET PIPE	INSULATOR INLET PIPE	1	
	17113	17113-LBA2-E00	O-RING INLET PIPE	O-RING INLET PIPE	1	
	1711A	1711A-LDG7-900	PIPE COMP INLET	PIPE COMP INLET	1	
	17304	17304-LBA2-M30	TUBE ASSY CANI-INLET PIPE	TUBE ASSY CANI-INLET PIPE	1	
	17369	17369-KDB4-671	CLIP BREATHER TUBE	CLIP BREATHER TUBE	1	
	17685	17685-GFY6-940	JOINT COCK CARB TUBE	JOINT COCK CARB TUBE	1	
	18601	18601-KBE2-900	REED VALVE COMP LDV 52*27*6.0	REED VALVE COMP LDV 52*27*6.0	1	



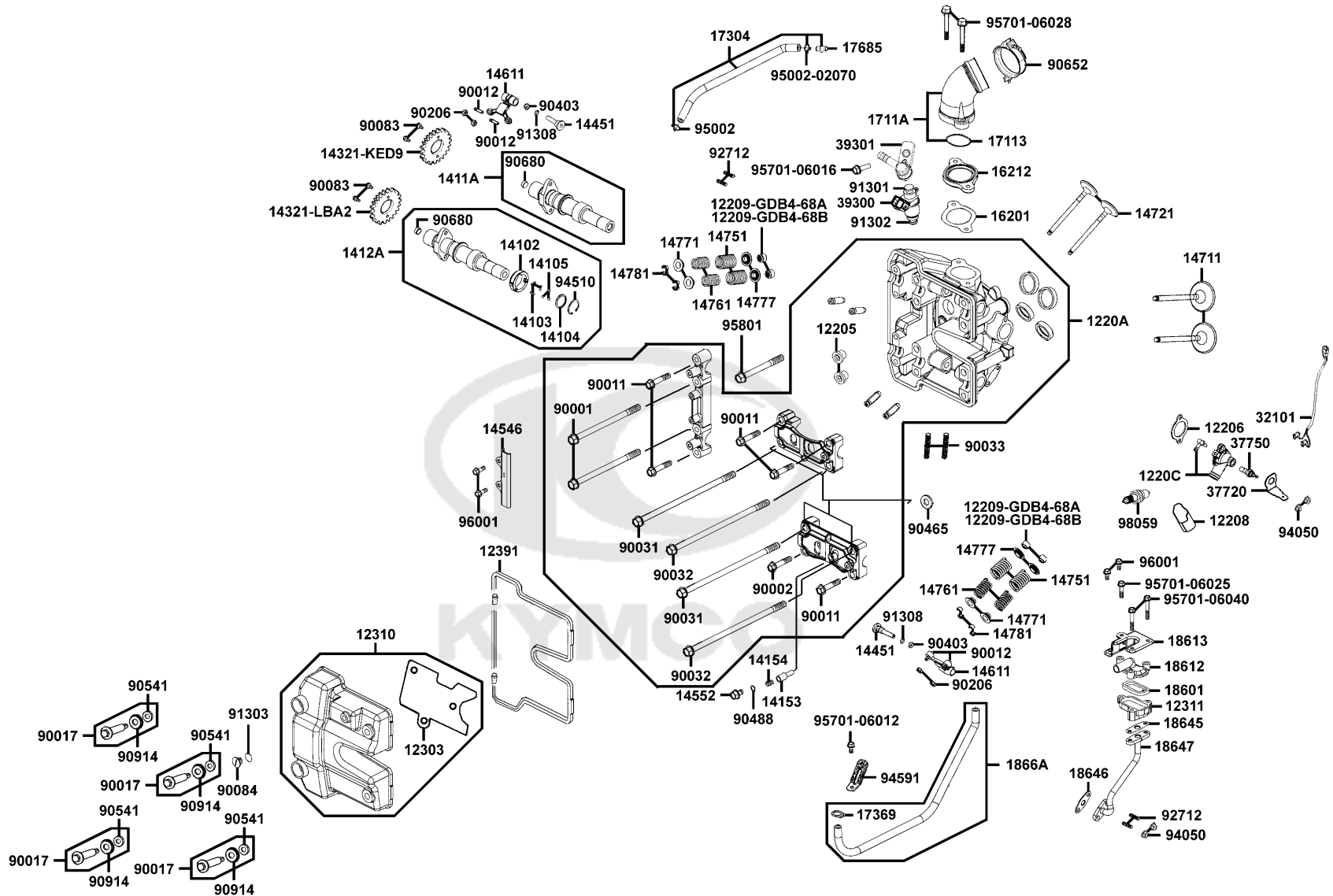
Sales mark	Ref no	Part no	Description	Reg description	Regd no	E02
18612		18612-KFB5-900	COVER REED VALVE	COVER REED VALVE	1	
18613		18613-LDB5-E00	STAY REED VALVE ASSY	STAY REED VALVE ASSY	1	
18645		18645-LBA2-E00	GASKET A/I PIPE	GASKET A/I PIPE	1	
18646		18646-LBA2-E00	GASKET A/I PIPE	GASKET A/I PIPE	1	
18647		18647-LBA2-E00	PIPE COMP AIR	PIPE COMP AIR	1	
1866A		1866A-LDG7-900	TUBE AISV-HEAD ASSY	TUBE AISV-HEAD ASSY	1	
32101		32101-LDG7-900	SUB HARNESS THERMO UNIT	SUB HARNESS THERMO UNIT	1	
37720		37720-KGB5-900	EARTH TERMINAL THERMO	EARTH TERMINAL THERMO	1	
37750		37750-PAC1-005	THERMO UNIT ASSY	THERMO UNIT ASSY	1	
39300		39300-LDG7-800	FUEL INJECTOR	FUEL INJECTOR	1	
39301		39301-LDG7-900	CUP COMP FUEL INJECTOR	CUP COMP FUEL INJECTOR	1	
90001		90001-LBA2-E00	BOLT UBS 8*137	BOLT UBS 8*137	2	
90002		90002-LBA2-E00	BOLT UBS 8*201	BOLT UBS 8*201	1	
90011		90011-KED9-900	BOLT UBS 8*48	BOLT UBS 8*48	5	
90012		90012-3C33-001	SCREW TAPPET ADJUSTING	SCREW TAPPET ADJUSTING	4	
90017		90017-KED9-900	BOLT ASSY HEAD COVER	BOLT ASSY HEAD COVER	4	
90031		90031-LBA2-E00	BOLT UBS 10*220	BOLT UBS 10*220	2	
90032		90032-LBA2-E00	BOLT UBS 10*210	BOLT UBS 10*210	2	
90033		90033-GFY6-900	BOLT STUD 8*32	BOLT STUD 8*32	2	
90083		90083-KED9-900	BOLT KNOCK 6MM	BOLT KNOCK 6MM	4	

Cylinder Head CoverCylinder Head



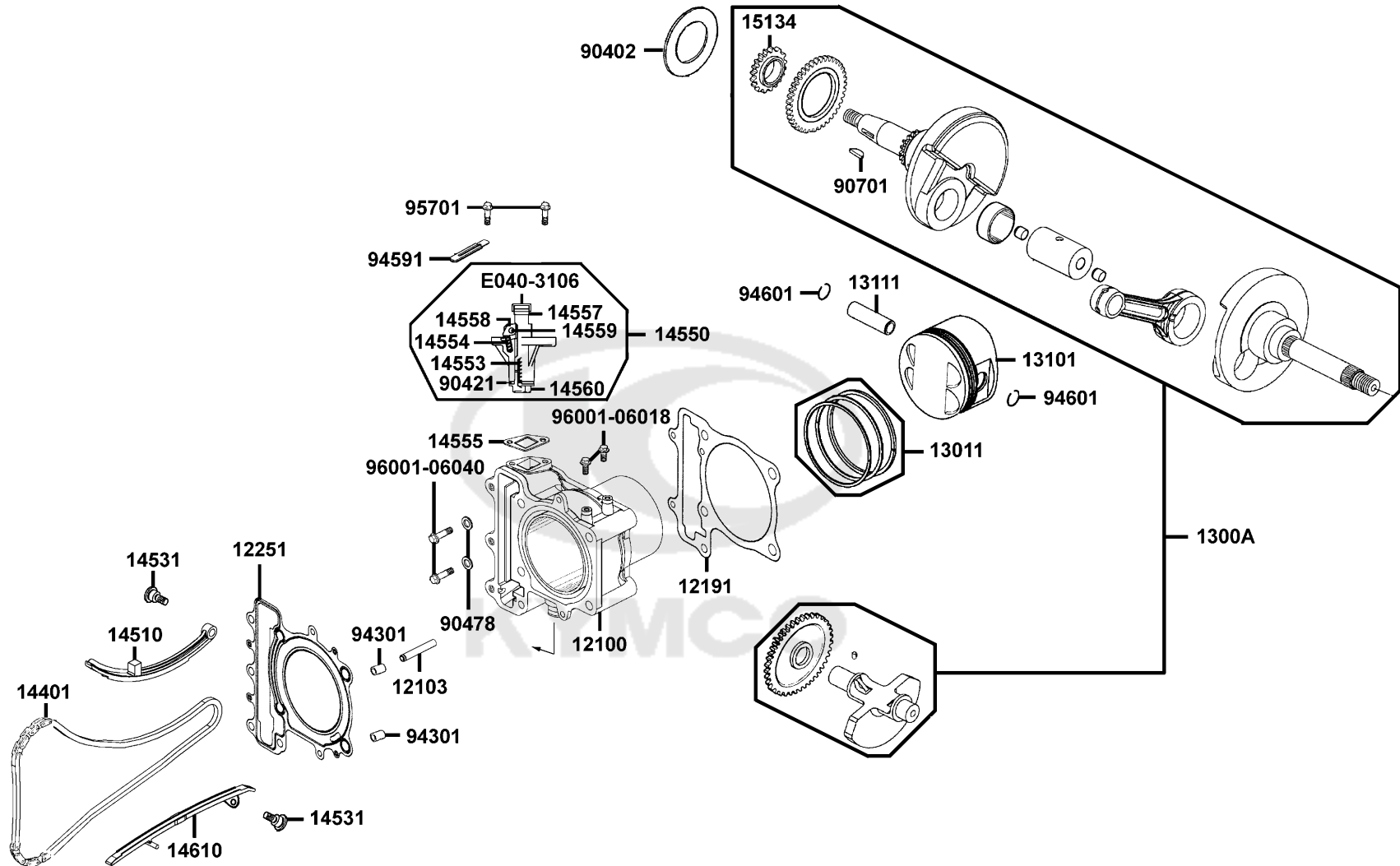
Sales mark	Ref no	Part no	Description	Reg description	Regd no	E02
	90084	90084-4H28-001	CAP ACG	CAP ACG	1	
	90206	90206-0A01-001	NUT TAPPET ADJG	NUT TAPPET ADJG	4	
	90403	90403-KED9-900	WASHER WAVE 10MM	WASHER WAVE 10MM	2	
	90465	90465-LBA2-E00	WASHER 10.2 MM	WASHER 10.2 MM	4	
	90488	90488-7L00-001	WASHER 8MM	WASHER 8MM	1	
	90541	90541-KED9-900	RUBBER MOUNTING	RUBBER MOUNTING	4	
	90652	90652-LDG7-900	C-HOPE 10-59	C-HOPE 10-59	1	
	90680	90680-LBA2-E00	CONE TYPE PLUG 12*7	CONE TYPE PLUG 12*7	2	
	90914	90914-KED9-900	WASHER HEAD COVER BOLT	WASHER HEAD COVER BOLT	4	
	91301	91301-LDF2-800	O-RING 7.47*3.6	O-RING 7.47*3.6	1	
	91302	91302-LDF2-800	SEAL RING	SEAL RING	1	
	91303	91303-3G77-001	O-RING 13.8*2.5	O-RING 13.8*2.5	1	
	91308	91308-KED9-900	O-RING 17.5*1.5	O-RING 17.5*1.5	2	
	92712	92712-06028-0B	BOLT STUD 6*28	BOLT STUD 6*28	4	
	94050	94050-06080	NUT FLANGE 6MM	NUT FLANGE 6MM (C)	4	
	94510	94510-20000	CIR CLIP EX 20	CIR CLIP EX 20	1	
	94591	94591-KFBF-900	CLIP 2*70	CLIP 2*70	1	
	95002	95002-02070	CLIP B7 TUBE	CLIP B7 TUBE	2	
	95701-06012	95701-06012-08	BOLT FLANGE 6*12	BOLT FLANGE 6*12	1	
	95701-06016	95701-06016-08	BOLT FLANGE 6*16	BOLT FLANGE 6*16	1	

Cylinder Head CoverCylinder Head



Sales mark	Ref no	Part no	Description	Reg description	Regd no	E02
95701-06025	95701-06025	95701-06025-08	BOLT FLANGE 6*25	BOLT FLANGE 6*25	1	
95701-06028	95701-06028	95701-06028-08	BOLT FLANGE 6*28	BOLT FLANGE 6*28 (C)	2	
95701-06040	95701-06040	95701-06040-08	BOLT FLANGE 6*40	BOLT FLANGE 6*40 (C)	2	
95801	95801-KED9-900		BOLT UBS 8*71	BOLT UBS 8*71	1	
96001	96001-06014-08		BOLT FLANGE 6*14	BOLT FLANGE 6*14	4	
98059	98059-57916-00		SPARK PLUG CR7E	SPARK PLUG CR7E	1	

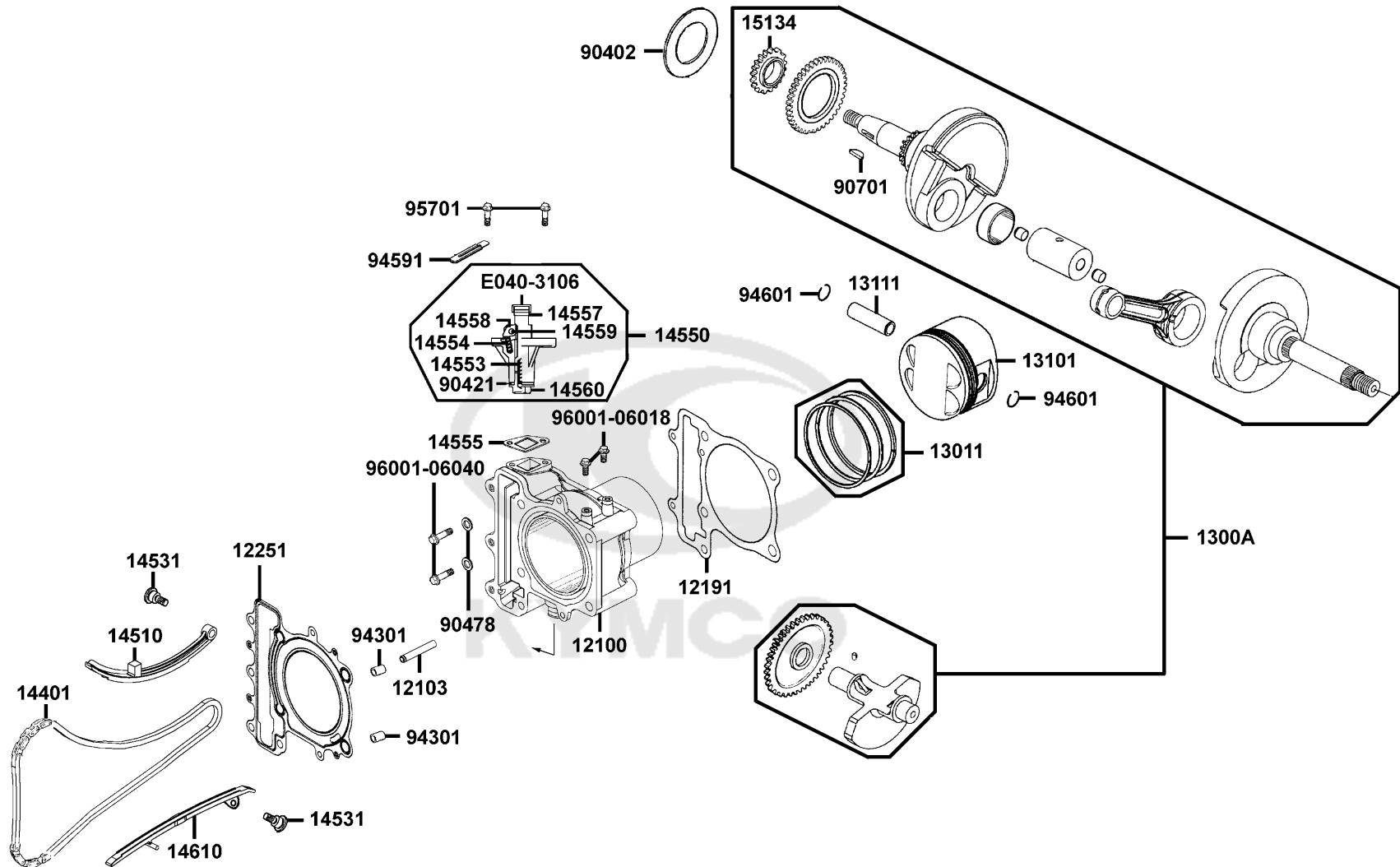




Sales mark	Ref no	Part no	Description	Reg description	Regd no	E03
	12100	12100-LBA2-E00	CYLINDER COMP	CYLINDER COMP	1	
	12103	12103-LBA2-E00	STOPPER CYLN WATER	STOPPER CYLN WATER	1	
	12191	12191-LBA2-E00	GASKET CYLINDER	GASKET CYLINDER	1	
	12251	12251-LBA2-E00	GASKET CYLINDER HEAD	GASKET CYLINDER HEAD	1	
	1300A	1300A-LBA2-308	CRANK BLANCER COMP	CRANK BLANCER COMP	1	
#	13011	13011-LBA2-E0A	RING SET PISTON	RING SET PISTON	1	
#	13011	13011-LBA2-E0B	RING SET PISTON/E901	RING SET PISTON/E901	1	
	13101	13101-LDG7-E00	PISTON	PISTON	1	
	13111	13111-LBA2-E00	PIN PISTON	PIN PISTON	1	
	14401	14401-LBA2-E00	CHAIN CAM	CHAIN CAM	1	
	14510	14510-LBA2-E00	TENSIONER CAM CHAIN	TENSIONER CAM CHAIN	1	
	14531	14531-KED9-900	PIVOT TENSION GUIDE	PIVOT TENSION GUIDE	2	
	14550	14550-LBA2-E00	ADJUSTER CAM CHAIN	ADJUSTER CAM CHAIN	1	
	14553	14553-LBA2-E00	SPRING CAM CHAIN ADJUSTER	SPRING CAM CHAIN ADJUSTER	1	
	14554	14554-KAM1-004	SPRING RATCHET	SPRING RATCHET	1	
	14555	14555-LBA2-E00	GASKET CAM CHAIN ADJUSTER	GASKET CAM CHAIN ADJUSTER	1	
	14557	14557-LBA2-E00	PLUNGER ADJUSTER	PLUNGER ADJUSTER	1	
	14558	14558-LBA2-E00	CAM ADJUSTER	CAM ADJUSTER	1	
	14559	14559-LBA2-E00	PIN ADJUSTER	PIN ADJUSTER	1	
	14560	14560-LBA2-E00	PLUG COMP ADJUSTER	PLUG COMP ADJUSTER	1	

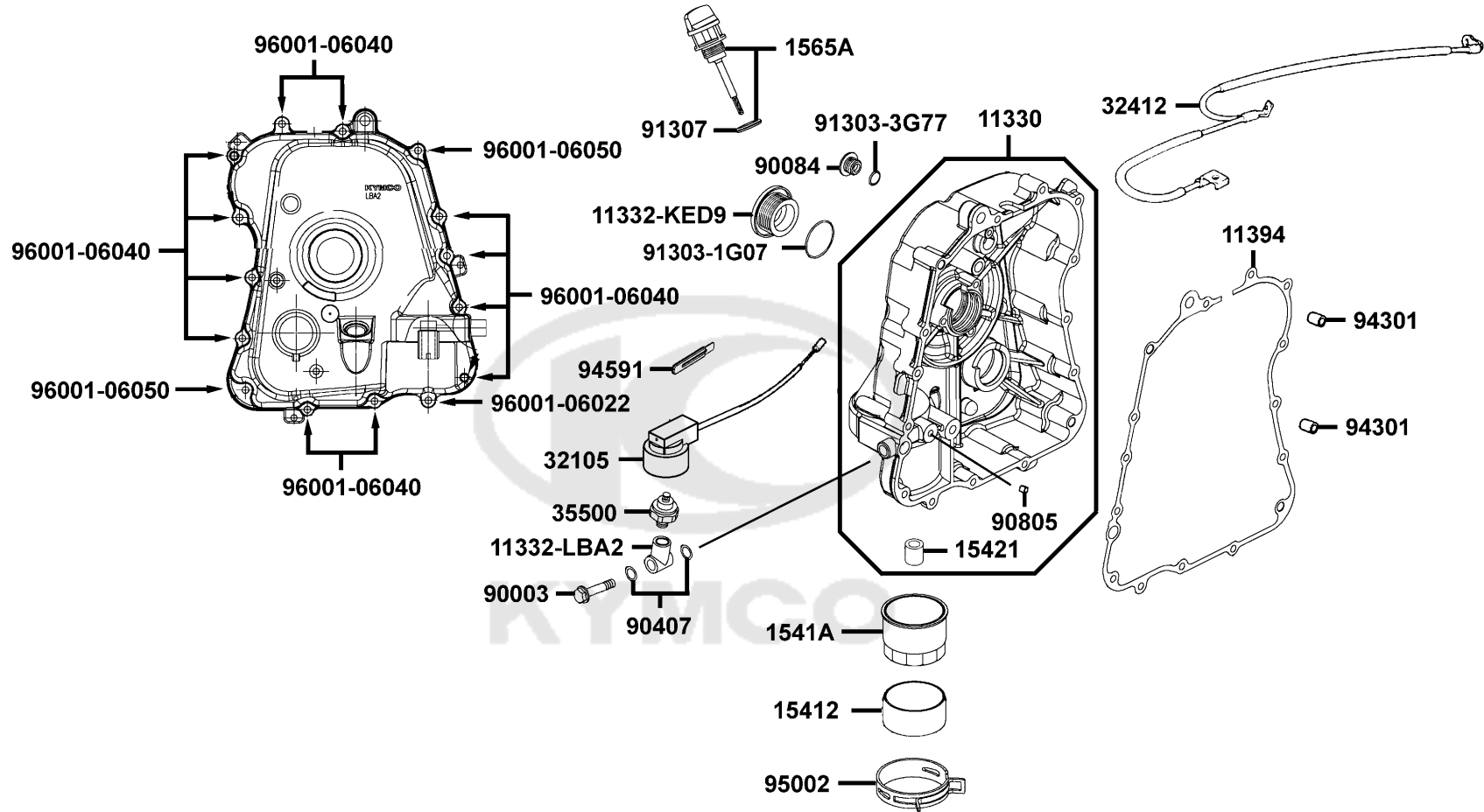
E03

CylinderPistonCrankshaft



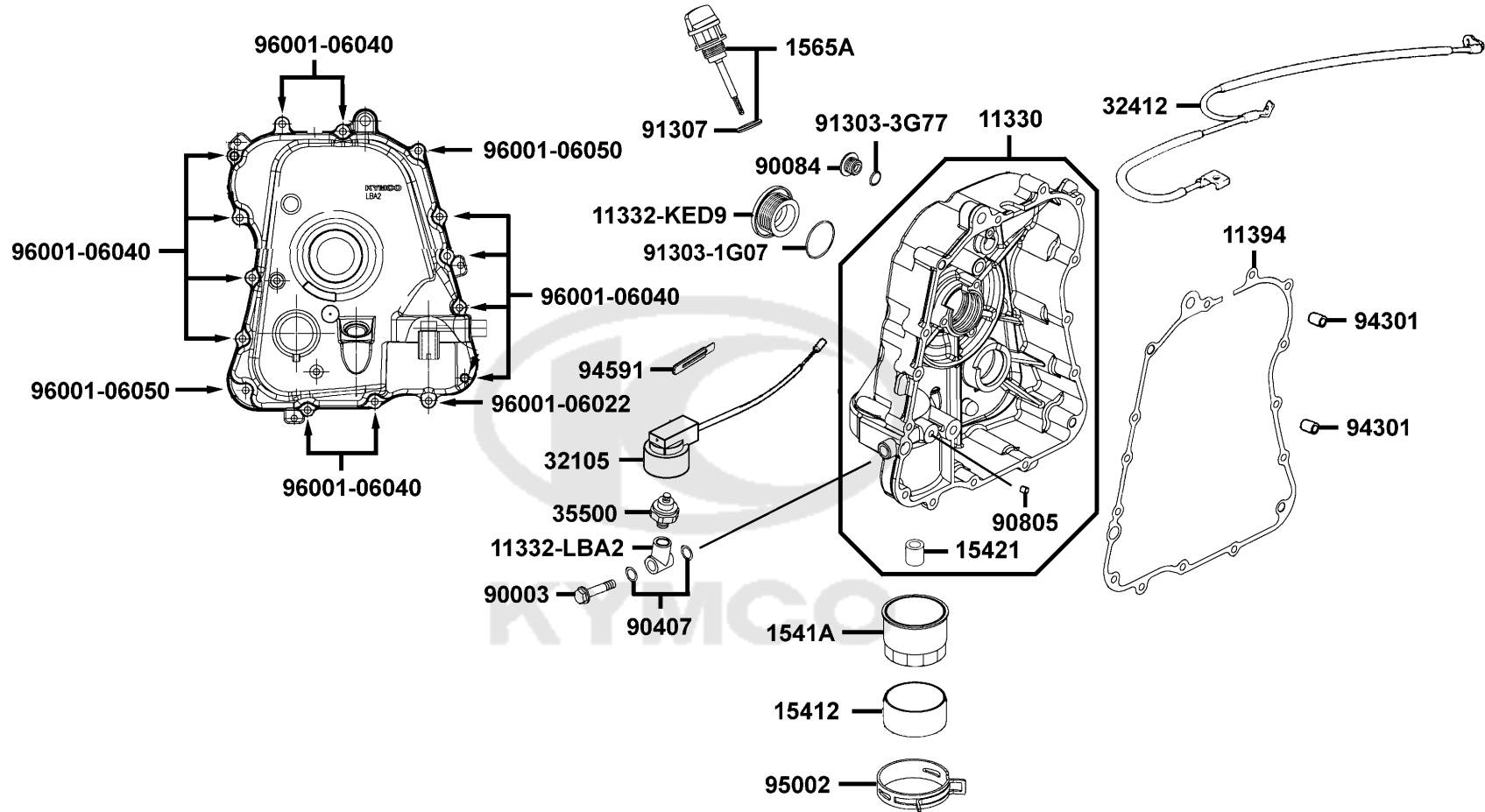
Sales mark	Ref no	Part no	Description	Reg description	Regd no	E03
14610		14610-LBA2-E00	GUIDE COMP CAM CHAIN	GUIDE COMP CAM CHAIN	1	
15134		15134-LBA2-E00	SPROCKET OIL PUMP DRIVE	SPROCKET OIL PUMP DRIVE	1	
90402		90402-LBA2-E00	THRUST WASHER 46*80*1.5	THRUST WASHER 46*80*1.5	1	
90421		90421-LBA2-E00	WASHER SEALING 10*16*1	WASHER SEALING 10*16*1	1	
90478		90478-7L00-001	WASHER A 6MM	WASHER A 6MM	2	
90701		90701-KED9-900	KEY WAY ACG	KEY WAY ACG	1	
94301		94301-12200	DOWEL PIN 12*20	DOWEL PIN 12*20	2	
94591		94591-KFBF-900	CLIP 2*70	CLIP 2*70	1	
94601		94601-22000	CLIP PISTON PIN 22MM	CLIP PISTON PIN 22MM	2	
95701		95701-06025-08	BOLT FLANGE 6*25	BOLT FLANGE 6*25	2	
96001-06018		96001-06018-08	BOLT FLANGE SH 6*18	BOLT FLANGE SH 6*18 (C)	2	
96001-06040		96001-06040-08	BOLT FLANGE 6*40	BOLT FLANGE 6*40	2	
E040-3106		E040-3106	CAP	CAP	1	

Right Crankcase Cover



Sales mark	Ref no	Part no	Description	Reg description	Regd no	E04
**	11330	11330-LBA2-E00	COVER ASSY R CRANK CASE	COVER ASSY R CRANK CASE	1	
	11332-KED9	11332-KED9-900	CAP 45MM	CAP 45MM	1	
	11332-LBA2	11332-LBA2-E00	JOINT COMP PRESSURE GAUGE	JOINT COMP PRESSURE GAUGE	1	
	11394	11394-LBA2-E00	GASKET R COVER @ A	GASKET R COVER @ A	1	
	15412	15412-LBA2-E00	RUBBER OIL FILTER	RUBBER OIL FILTER	1	
	1541A	1541A-LBA2-E00	ELEMENT COMP OIL FILTER	ELEMENT COMP OIL FILTER	1	
	15421	15421-LBA2-E00	BOLT OIL FILTER	BOLT OIL FILTER	1	
	1565A	1565A-LBA2-E00	GAUGE OIL LEVEL ASSY	GAUGE OIL LEVEL ASSY	1	
	32105	32105-LLJ3-E00	SUB HARNESS	SUB HARNESS	1	
	32412	32412-LBA2-E00	CABLE EARTH	CABLE EARTH	1	
	35500	35500-KED9-900	SW ASSY OIL PRESSURE	SW ASSY OIL PRESSURE	1	
	90003	90003-LBA2-E00	BOLT A OIL PASS	BOLT A OIL PASS	1	
**	90084	90084-LEA5-001	CAP A.C.G	CAP A.C.G	1	
	90407	90407-KAM1-001	SEALING WASHER B OIL PIPE JOIN	SEALING WASHER B OIL PIPE JOIN	2	
	90805	90805-LBA2-E00	CONE TYPE PLUG 10*5	CONE TYPE PLUG 10*5	1	
	91303-1G07	91303-1G07-001	O-RING 35*3.0	O-RING 35*3.0	1	
	91303-3G77	91303-3G77-001	O-RING 13.8*2.5	O-RING 13.8*2.5	1	
	91307	91307-0E35-001	O RING 18*3	O RING 18*3	1	
	94301	94301-10160	DOWEL PIN 10*16	DOWEL PIN 10*16	2	
	94591	94591-KFBF-900	CLIP 2*70	CLIP 2*70	1	

Right Crankcase Cover

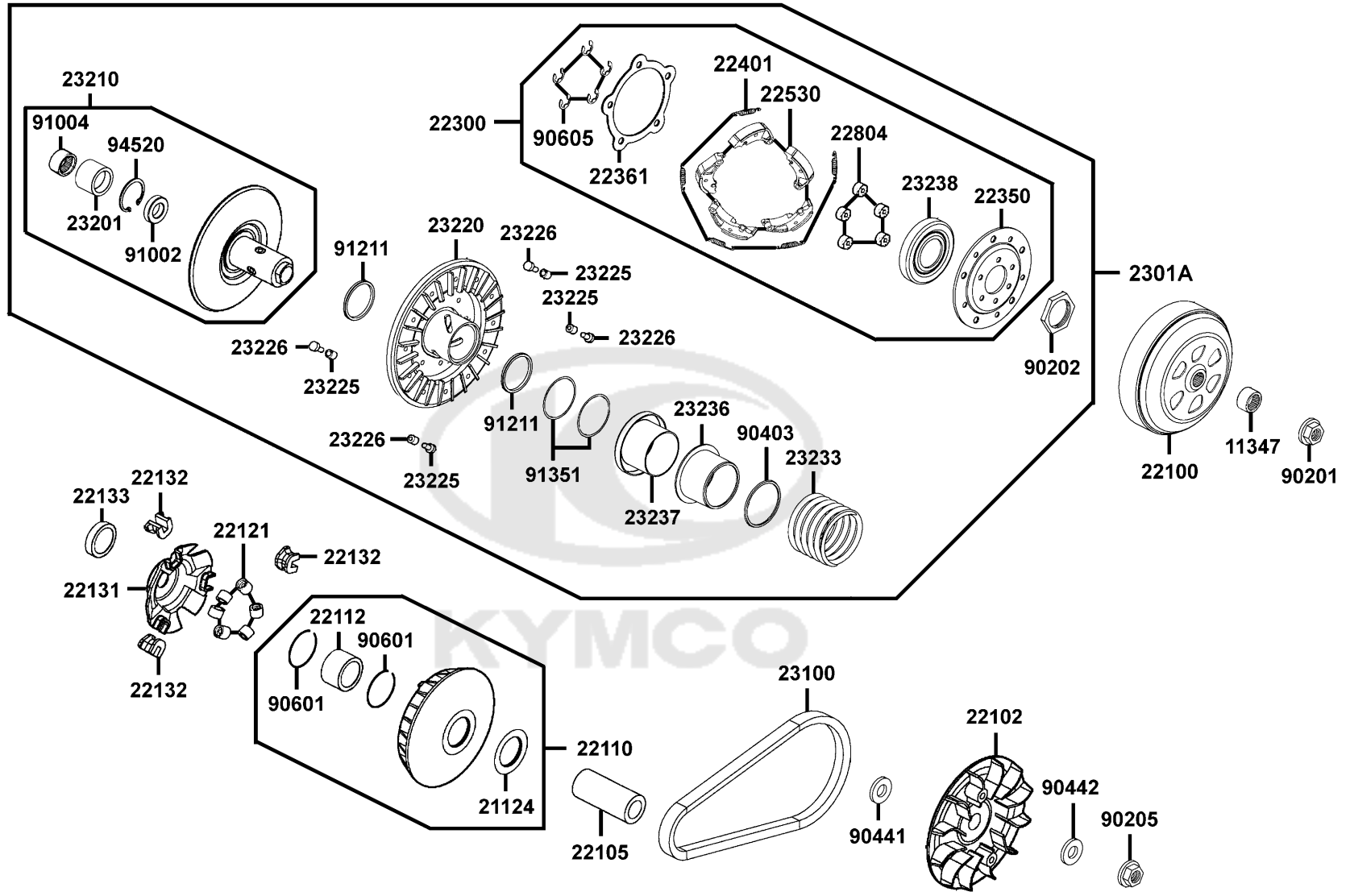


Sales mark	Ref no	Part no	Description	Reg description	Regd no	E04
	95002	95002-LBA2-E00	CLAMP D72	CLAMP D72	1	
	96001-06022	96001-06022-08	BOLT FLANGE SH 6*22	BOLT FLANGE SH 6*22	1	
	96001-06040	96001-06040-08	BOLT FLANGE 6*40	BOLT FLANGE 6*40	12	
	96001-06050	96001-06050-08	BOLT FLANGE 6*50	BOLT FLANGE SH 6*50 (C)	2	



E05

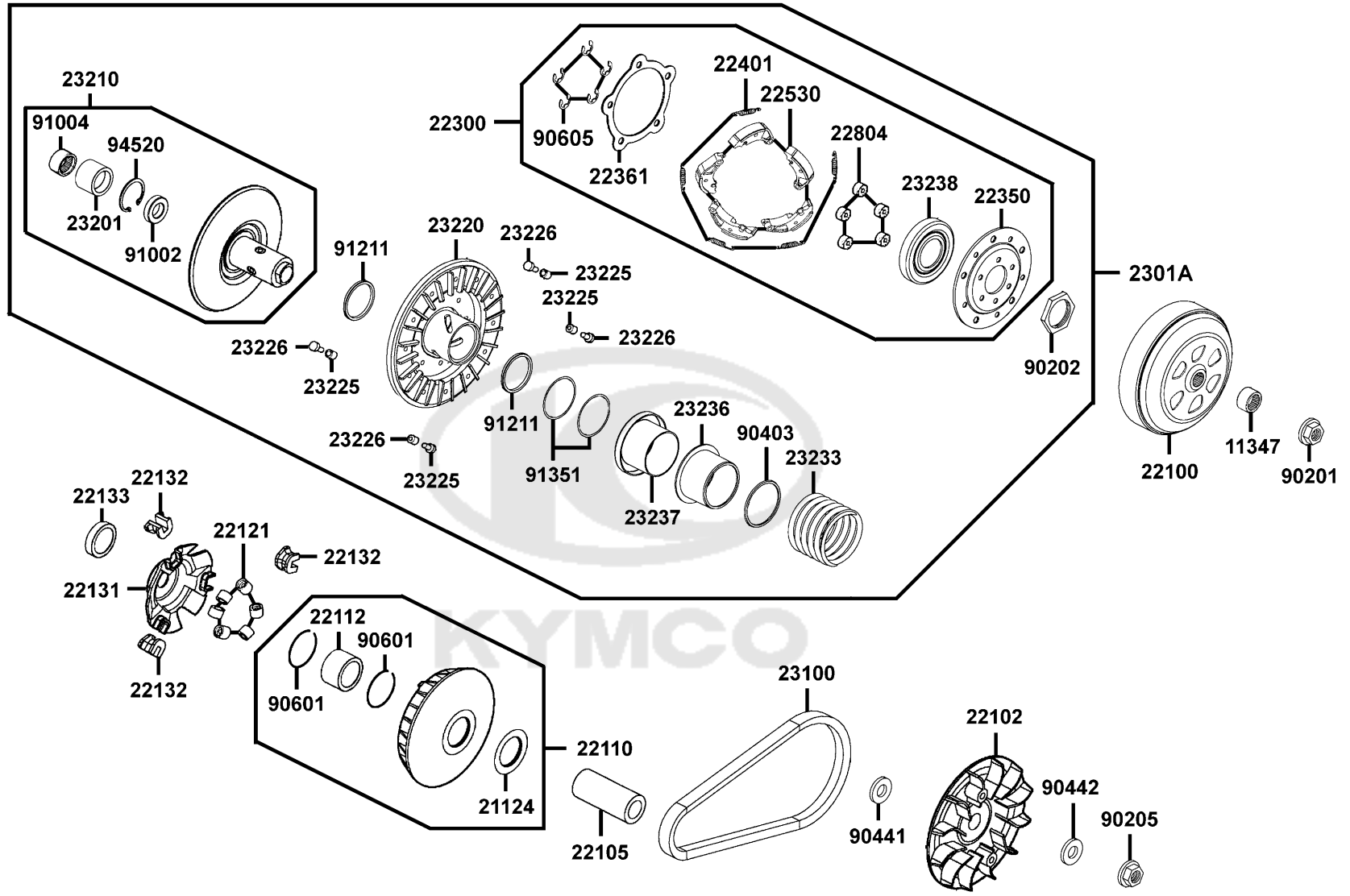
Transmission Pulley



Sales mark	Ref no	Part no	Description	Reg description	Regd no	E05
11347		11347-LBA2-E00	BOSS DRIVE SHAFT	BOSS DRIVE SHAFT	1	
21124		21124-LBA2-E00	OIL SEAL 29*42*6	OIL SEAL 29*42*6	1	
22100		22100-LBA2-E00	OUTER CLUTCH	OUTER CLUTCH	1	
22102		22102-LBA2-E00	FACE DRIVE	FACE DRIVE	1	
22105		22105-LBA2-E00	BOSS DRIVE FACE	BOSS DRIVE FACE	1	
22110		22110-LBA2-E00	FACE COMP MOVABLE DRIVE	FACE COMP MOVABLE DRIVE	1	
22112		22112-LBA2-E00	BUSH 29.5*34*35.5	BUSH 29.5*34*35.5	1	
22121		22121-LDG7-900	ROLLER COMP WEIGHT	ROLLER COMP WEIGHT	6	
22131		22131-LBA2-E00	PLATE RAMP	PLATE RAMP	1	
22132		22132-LBA2-E00	PIECE SLIDE	PIECE SLIDE	3	
22133		22133-LBA2-E00	STOPPER RAMP PLATE	STOPPER RAMP PLATE	1	
22300		22300-LBA2-E00	PLATE ASSY DRIVE	PLATE ASSY DRIVE	1	
22350		22350-LBA2-E00	PLATE COMP DRIVE	PLATE COMP DRIVE	1	
22361		22361-LBA2-E00	PLATE CLUTCH SIDE	PLATE CLUTCH SIDE	1	
22401		22401-LBA2-E00	SPRING CLUTCH	SPRING CLUTCH	5	
22530		22530-LBA2-E00	WEIGHT CLUTCH	WEIGHT CLUTCH	5	
22804		22804-GBB2-001	RUBBER CLUTCH DAMPER	RUBBER CLUTCH DAMPER	5	
2301A		2301A-LBA2-E00	PULLEY SUB ASSY	PULLEY SUB ASSY	1	
23100		23100-LBA2-E00	BELT DRIVE	BELT DRIVE	1	
23201		23201-LBA2-E00	COLLAR BRG	COLLAR BRG	1	

E05

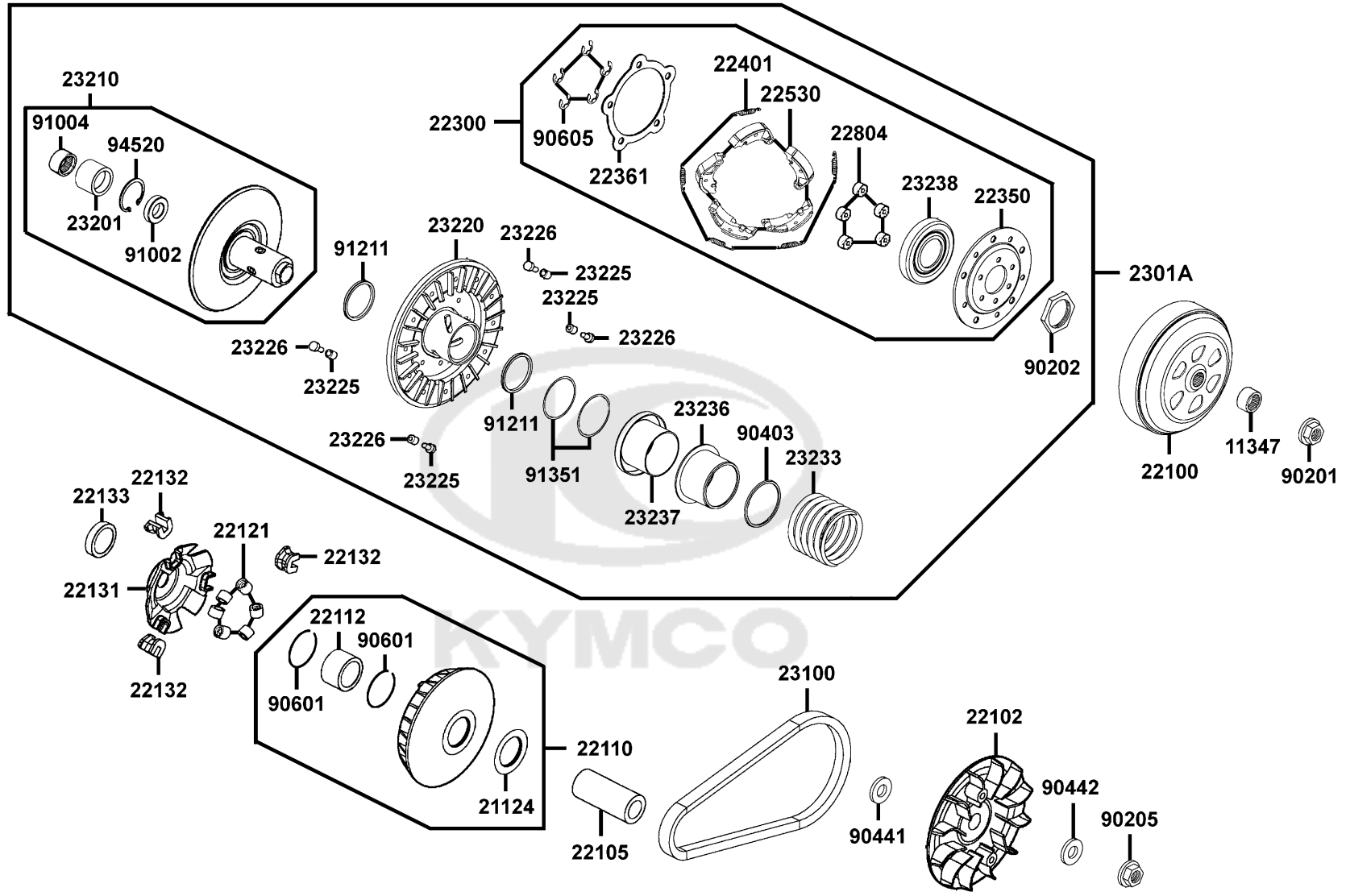
Transmission Pulley



Sales mark	Ref no	Part no	Description	Reg description	Regd no	E05
	23210	23210-LBA2-E00	FACE COMP DRIVEN A	FACE COMP DRIVEN A	1	
	23220	23220-LBA2-E00	FACE RR MOVABLE DRIVEN B	FACE RR MOVABLE DRIVEN B	1	
	23225	23225-LBA2-E00	PIN ROLLER GUIDE	PIN ROLLER GUIDE	4	
	23226	23226-GHC8-004	ROLLER GUIDE	ROLLER GUIDE	4	
	23233	23233-LBA2-E00	SPG DRIVEN FACE	SPG DRIVEN FACE	1	
	23236	23236-LBA2-E00	COLLAE CLUTCH	COLLAE CLUTCH	1	
	23237	23237-LBA2-E00	COLLAR SEAL	COLLAR SEAL	1	
	23238	23238-LBA2-E00	COLLAR SPG	COLLAR SPG	1	
	90201	90201-KHR8-75A	NUT FLANGE 14MM	NUT FLANGE 14MM	1	
	90202	90202-LBA2-E00	NUT SPECIAL 40MM	NUT SPECIAL 40MM	1	
	90205	90205-LBA2-E00	NUT FLANGE 18MM	NUT FLANGE 18MM	1	
	90403	90403-LBA2-E00	WASHER 68*81*4	WASHER 68*81*4	1	
	90441	90441-LBA2-E00	WASHER 22*34*2.5	WASHER 22*34*2.5	1	
	90442	90442-LBA2-E00	WASHER 38*18.5*1.5	WASHER 38*18.5*1.5	1	
	90601	90601-LBA2-E00	CIR CLIP 34MM	CIR CLIP 34MM	2	
	90605	90605-1F66-721	CIR CLIP 7MM	CIR CLIP 7MM	5	
	91002	91002-LBA2-E00	BRG BALL RADIAL 6904	BRG BALL RADIAL 6904	1	
	91004	91004-LBA2-E00	BRG NDL 25*33*18	BRG NDL 25*33*18	1	
	91211	91211-LBA2-E00	SEAL DRIVEN FACE 48*55*4	SEAL DRIVEN FACE 48*55*4	2	
	91351	91351-LBA2-E00	O-RING PINION CAP 55*2	O-RING PINION CAP 55*2	2	

E05

Transmission Pulley

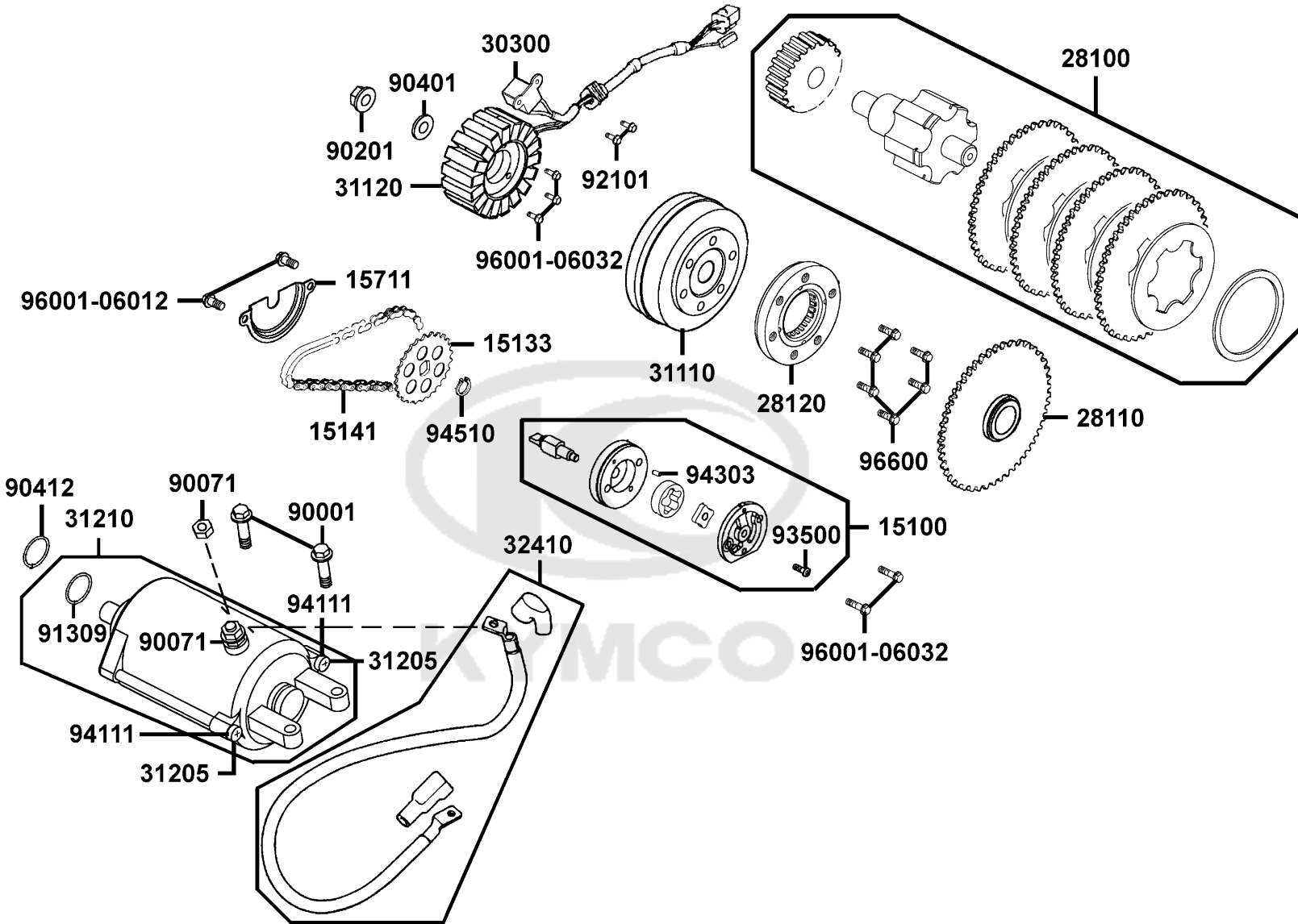


Sales mark	Ref no	Part no	Description	Reg description	Regd no	E05
------------	--------	---------	-------------	-----------------	---------	------------

94520	94520-LBA2-E00	CIR CLIP IN 37MM	CIR CLIP IN 37MM		1	
-------	----------------	------------------	------------------	--	---	--

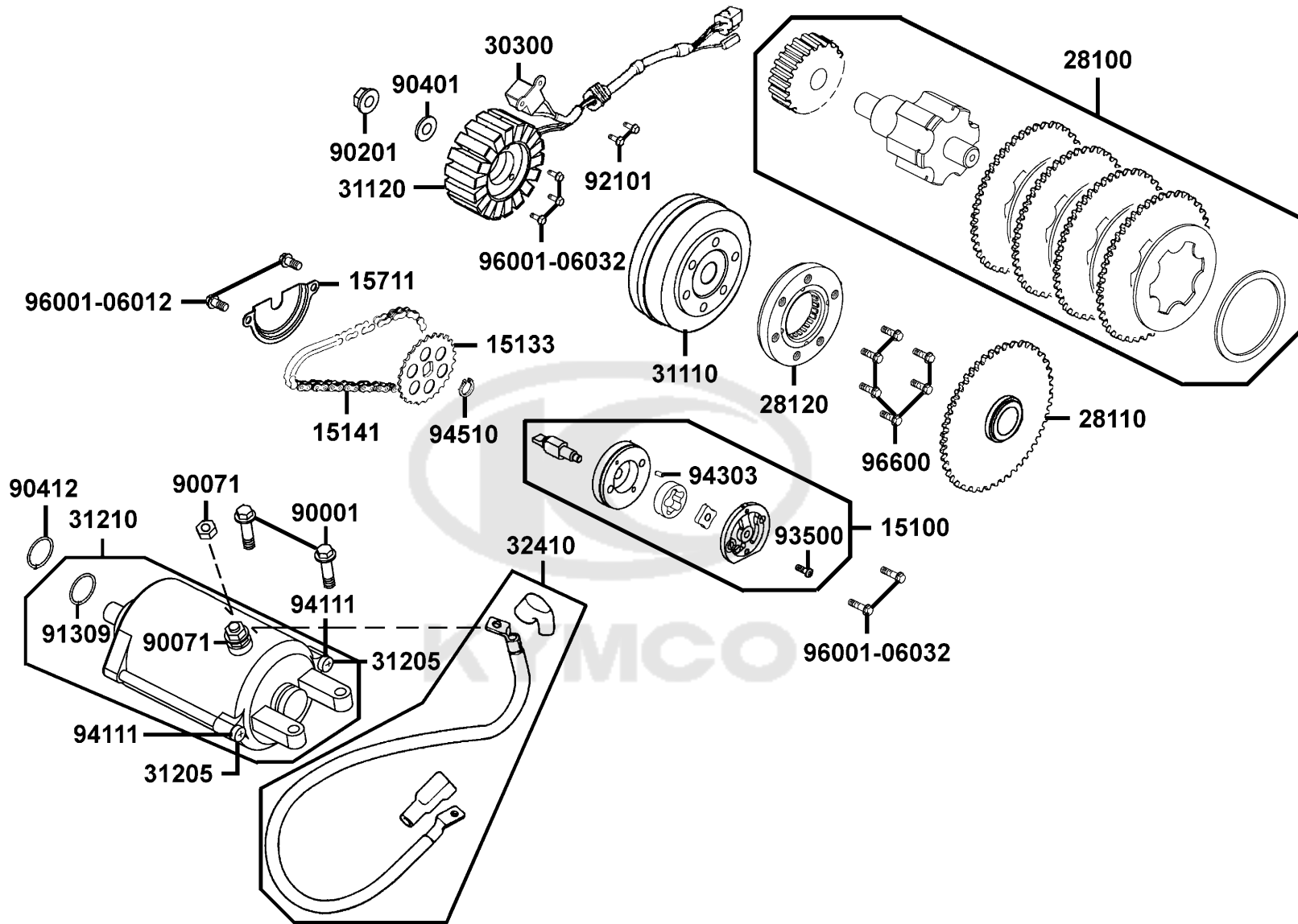


Starting MotorGenerator



Sales mark	Ref no	Part no	Description	Reg description	Regd no	E06
	15100	15100-LDG7-E00	PUMP ASSY OIL	PUMP ASSY OIL	1	
	15133	15133-LBA2-E00	SPROCKET OIL PUMP DRIVE	SPROCKET OIL PUMP DRIVE	1	
	15141	15141-LBA2-E00	CHAIN OIL PUMP	CHAIN OIL PUMP	1	
	15711	15711-LBA2-E00	SEPARATER OIL	SEPARATER OIL	1	
	28100	28100-LDG7-E00	SHAFT COMP REDUCTION	SHAFT COMP.. REDUCTION	1	
	28110	28110-LDG7-E00	GEAR COMP STARTING CLUTCH	GEAR COMP STARTING CLUTCH	1	
	28120	28120-LBA2-E00	ONE WAY CLUTCH	ONE WAY CLUTCH	1	
	30300	30300-KED9-900	GENERATOR COMP PULSE	GENERATOR COMP PULSE	1	
	31110	31110-LDG7-900	FLYWHEEL COMP /D402	FLYWHEEL COMP /D402	1	
	31120	31120-LDG7-900	STATOR COMP /D402	STATOR COMP /D402	1	
	31205	31205-KKJ9-000	BOLT SET	BOLT SET	2	
	31210	31210-LBA2-E00	MOTOR UNIT STARTER	MOTOR UNIT STARTER	1	
	32410	32410-LBA2-E00	CABLE STARTER MOTOR	CABLE STARTER MOTOR	1	
	90001	90001-GBHB-661	BOLT FLANGE SH 6*22	BOLT FLANGE SH 6*22	2	
	90071	90071-MLB0-001	NUT WASH 6MM	NUT WASH 6MM	2	
	90201	90201-KHR8-75A	NUT FLANGE 14MM	NUT FLANGE 14MM	1	
	90401	90401-KKJ9-001	WASHER THRUST 14*28*2	WASHER THRUST 14*28*2	1	
	90412	90412-3K29-001	WASHER THRUST 10M/M	WASHER THRUST10MM	1	
	91309	91309-4E25-004	O-RING 24.4*3.1	O-RING 24.4*3.1	1	
	92101	92101-05012-0H	BOLT HEX 5*12	BOLT HEX 5*12 (C)	2	

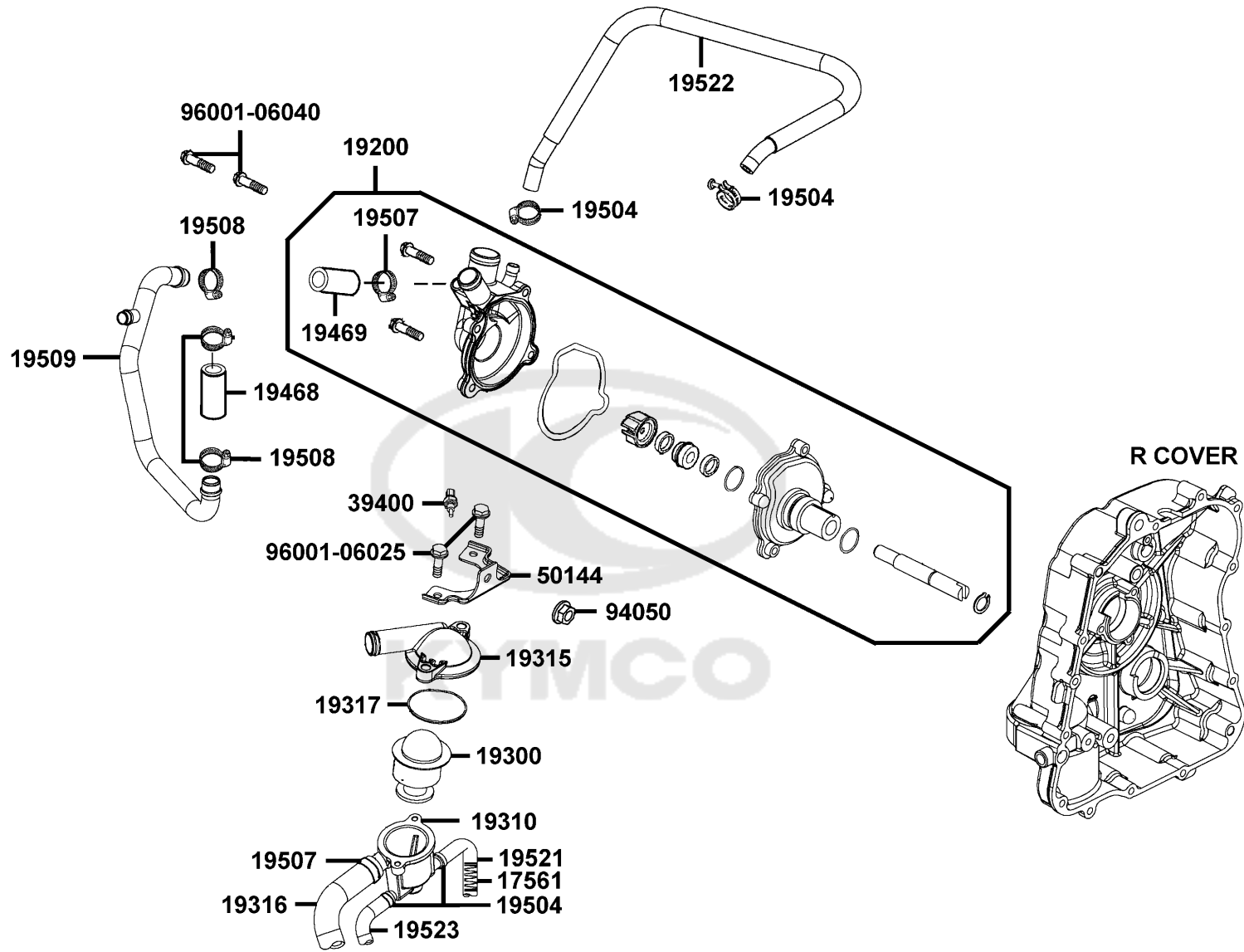
Starting MotorGenerator



Sales mark	Ref no	Part no	Description	Reg description	Regd no	E06
	93500	93500-03010-1A	SCREW PAN 3*10 (B)	SCREW PAN 3*10 (B)	1	
	94111	94111-05800	WASHER SPRING 5MM	WASHER SPRING 5MM	2	
	94303	94303-04065	DOWEL PIN 4*6.5	DOWEL PIN 4*6.5	1	
	94510	94510-10000	CIR CLIP EX 10MM	CIR CLIP EX 10MM	1	
	96001-06012	96001-06012-08	BOLT FLANGE 6*12	BLOT FLANGE SH 6*12	2	
	96001-06032	96001-06032-08	BOLT FLANGE SH 6*32	BOLT FLANGE SH 6*32	5	
	96600	96600-06020-10	SOCKET BOLT 6*20	SOCKET BOLT 6*20	6	

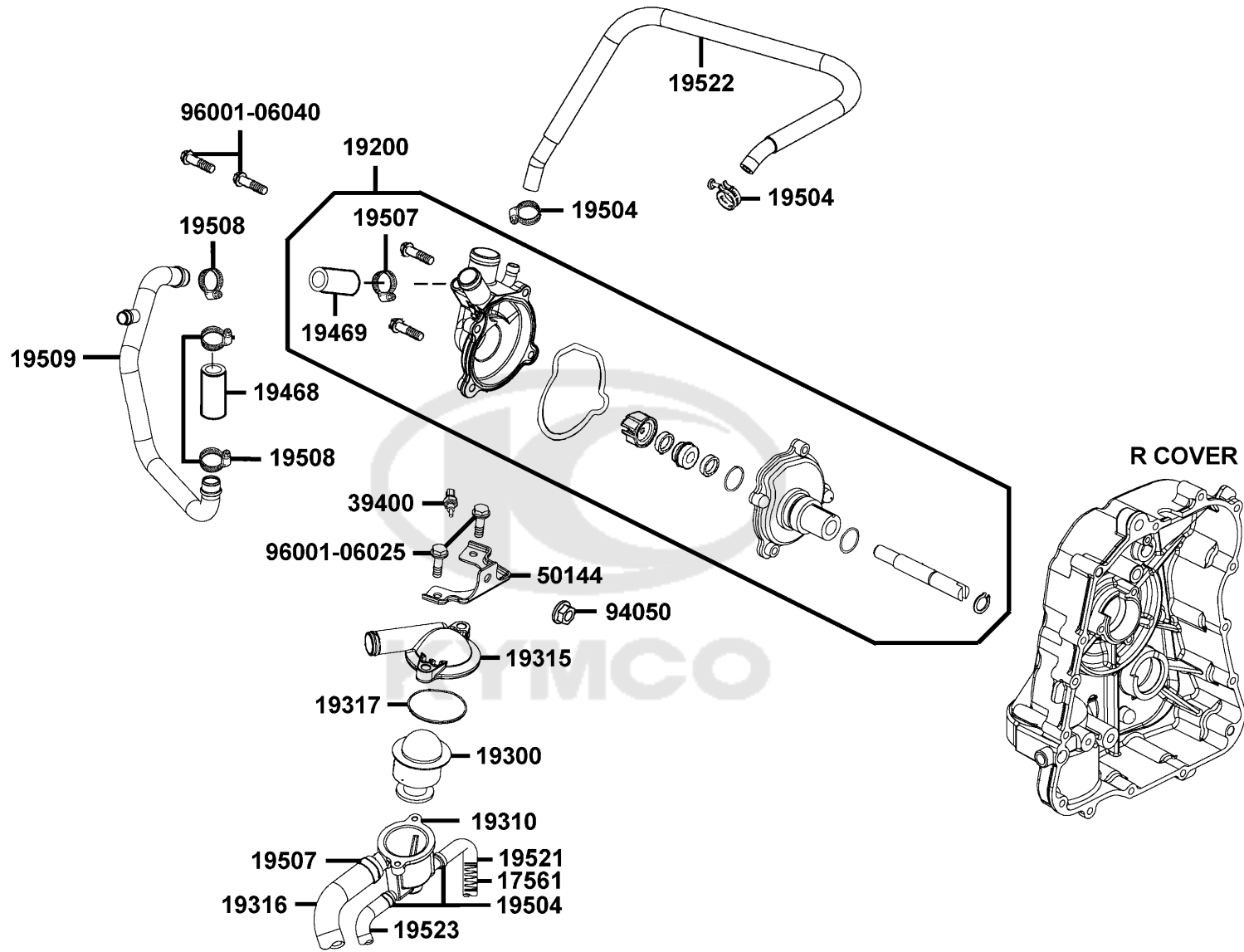


Generator Water Pump



Sales mark	Ref no	Part no	Description	Reg description	Regd no	E07
	17561	17561-LDG7-900	SPG PROTECTOR WATER HOSE	SPG PROTECTOR WATER HOSE	1	
**	19200	19200-LBA2-E00	WATER PUMP ASSY	WATER PUMP ASSY	1	
	19300	19300-LBA2-E00	THERMOSTAT ASSY	THERMOSTAT ASSY	1	
	19310	19310-LDG7-900	CASE COMP THERMOSTAT	CASE COMP THERMOSTAT	1	
	19315	19315-LBA2-E00	COVER THERMOSTAT	COVER THERMOSTAT	1	
	19316	19316-LBA2-E00	HOSE THERMOSTAT	HOSE THERMOSTAT	1	
	19317	19317-LBA2-E00	RING 48.3*2	RING 48.3*2	1	
	19468	19468-LBA2-E00	RUBBER MOUNTING	RUBBER MOUNTING	1	
	19469	19469-LBA2-E00	RUBBER MOUNTING	RUBBER MOUNTING	1	
	19504	19504-LBA2-E00	CLAMP D16.8	CLAMP D16.8	4	
	19507	19507-LBA2-E00	CLAMP D 27.5	CLAMP D 27.5	2	
	19508	19508-LBA2-E00	CLAMP WATER HOSE	CLAMP WATER HOSE	3	
	19509	19509-LBA2-E00	TUBE COOLANT	TUBE COOLANT	1	
	19521	19521-LDG7-900	WATER HOSE	WATER HOSE	1	
	19522	19522-LBA2-E00	WATER HOSE	WATER HOSE	1	
	19523	19523-LBA2-E00	WATER HOSE A COOLER	WATER HOSE A COOLER	1	
	39400	39400-LDF2-800	WATER TEMP SENSOR	WATER TEMP SENSOR	1	
	50144	50144-LBA2-E00	BRKT THERMOSTAT	BRKT THERMOSTAT	1	
	94050	94050-06080	NUT FLANGE 6MM	NUT FLANGE 6MM (C)	1	
	96001-06025	96001-06025-08	BOLT FLANGE SH 6*25	BOLT FLANGE SH 6*25	2	

Generator Water Pump



Sales mark	Ref no	Part no	Description	Reg description	Regd no	E07
------------	--------	---------	-------------	-----------------	---------	------------

96001-06040

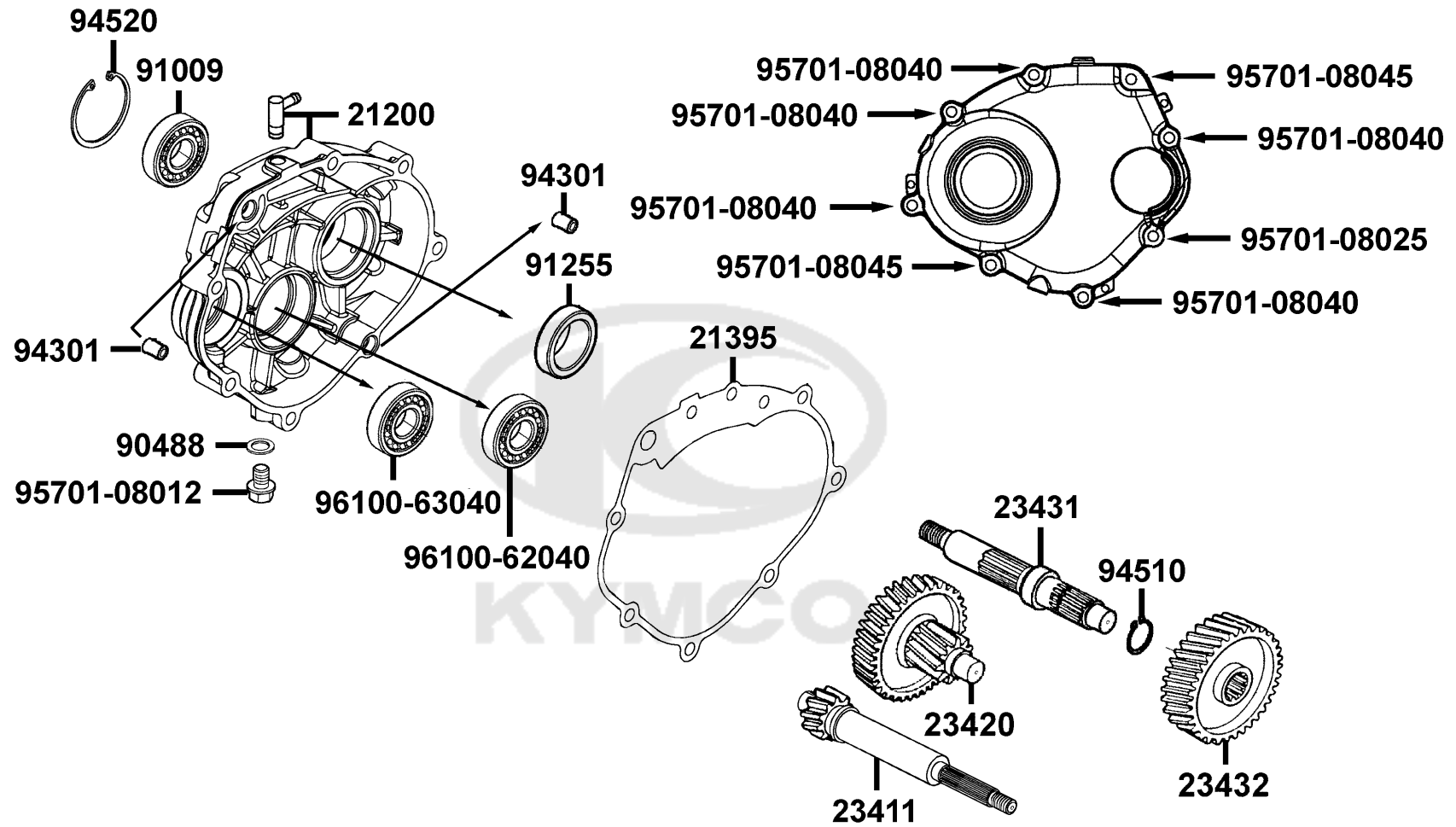
96001-06040-08

BOLT FLANGE 6*40

BOLT FLANGE 6*40

2

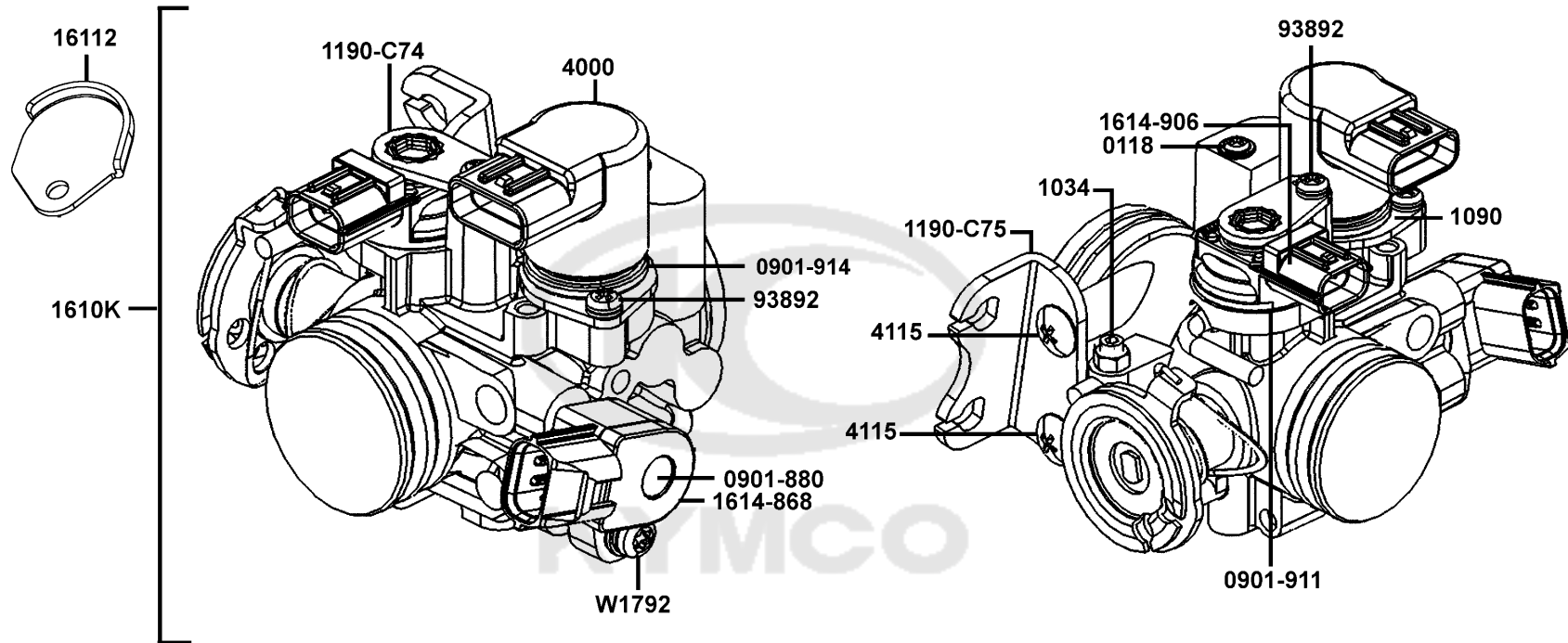




Sales mark	Ref no	Part no	Description	Reg description	Regd no	E08
21200		21200-LBA2-E00	CASE COMP MISSION	CASE COMP MISSION	1	
21395		21395-LBA2-E00	GASKET MISSION COVER @ A	GASKET MISSION COVER @ A	1	
23411		23411-LBA2-E00	SHAFT DRIVE	SHAFT DRIVE	1	
23420		23420-LBA2-E00	SHAFT COMP COUNTER	SHAFT COMP COUNTER	1	
23431		23431-LBA2-E00	SHAFT FINAL	SHAFT FINAL	1	
23432		23432-LBA2-E00	GEAR FINAL	GEAR FINAL	1	
90488		90488-7L00-001	WASHER 8MM	WASHER 8MM	1	
91009		91009-LBA2-E00	BRG BALL RADIAL 6006LLU/2A	BRG BALL RADIAL 6006LLU/2A	1	
91255		91255-LBA2-E00	OIL SEAL 38*50*7	OIL SEAL 38*50*7	1	
94301		94301-10160	DOWEL PIN 10*16	DOWEL PIN 10*16	2	
94510		94510-25000	CIR CLIP EXTERNAL 25	CIR CLIP EXTERNAL 25	1	
94520		94520-55000	CIR CLIP IN 55	CIR CLIP IN 55	1	
95701-08012		95701-08012-08	BOLT FLANGE 8*12	BOLT FLANGE 8*12	1	
95701-08025		95701-08025-08	BOLT FLANGE 8*25	BOLT FLANGE 8*25	1	
95701-08040		95701-08040-08	BOLT FLANGE 8*40	BOLT FLANGE 8*40	5	
95701-08045		95701-08045-08	BOLT FLANGE 8*45	BOLT FLANGE 8*45	2	
96100-62040		96100-62040-00	BEARING BALL RADIAL 6204	BEARING BALL RADIAL 6204	1	
96100-63040		96100-63040-00	BRG BALL RADIAL 6304	BRG BALL RADIAL 6304	1	

E09

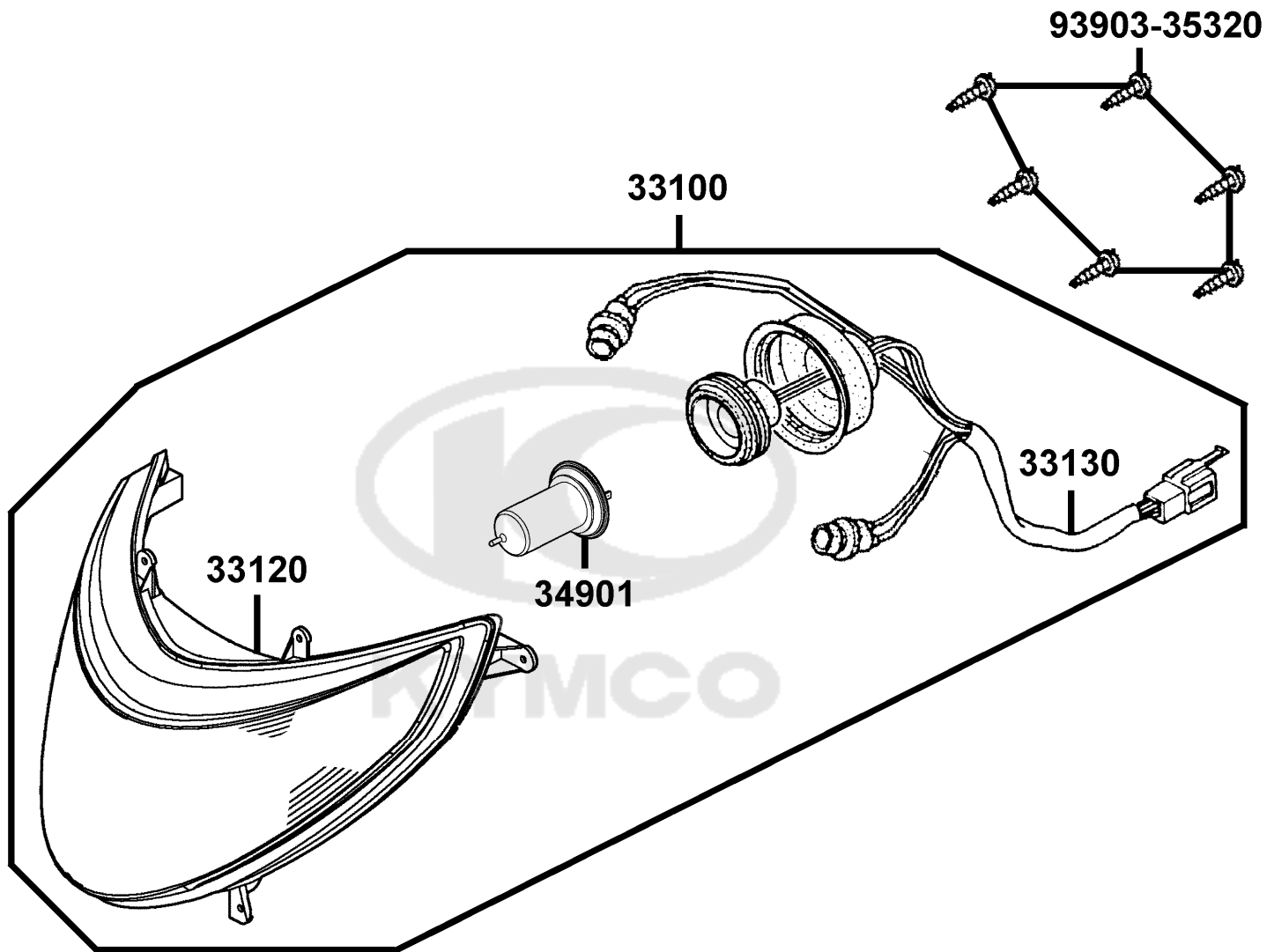
Throttle Body



Sales mark	Ref no	Part no	Description	Reg description	Regd no	E09
0118		0118-814-1100	SCREW SET	SCREW SET	1	
0901-880		0901-880-6000	O-RING/TPS	O-RING/TPS	1	
0901-911		0901-911-6000	O-RING	O-RING	1	
0901-914		0901-914-6001	O-RING	O-RING	1	
1034		1034-KAE0-7700	SCREW / THROTTLE	SCREW / THROTTLE	1	
1090		1090-873-2001	SET PLATE	SET PLATE	1	
1190-C74		1190-C74-2000	STAY PLATE	STAY PLATE	1	
1190-C75		1190-C75-2000	BRACKET / THROTTLE CABLE	BRACKET / THROTTLE CABLE	1	
1610K		1610K-LDG7-900	THROTTLE BODY ASSY	THROTTLE BODY ASSY	1	
16112		16112-LDG7-900	COVER THROTTLE BODY	COVER THROTTLE BODY	1	
1614-868		1614-868-0000	THROTTLE POSITION SENSER	THROTTLE POSITION SENSER	1	
1614-906		1614-906-0002	MAP SENSOR	MAP SENSOR	1	
4000		4000-452-0003	IDLE AIR BYPASS VALVE	IDLE AIR BYPASS VALVE	1	
4115		4115-803-1100-3	SCREW PAN	SCREW PAN	2	
93892		93892-04008-18	SCREW WASHER 4*8	SCREW WASHER 4*8	2	
W1792		W1792-048-9901	SCREW TORX M5*0.8/TPS	SCREW TORX M5*0.8/TPS	1	

F01

Head Light

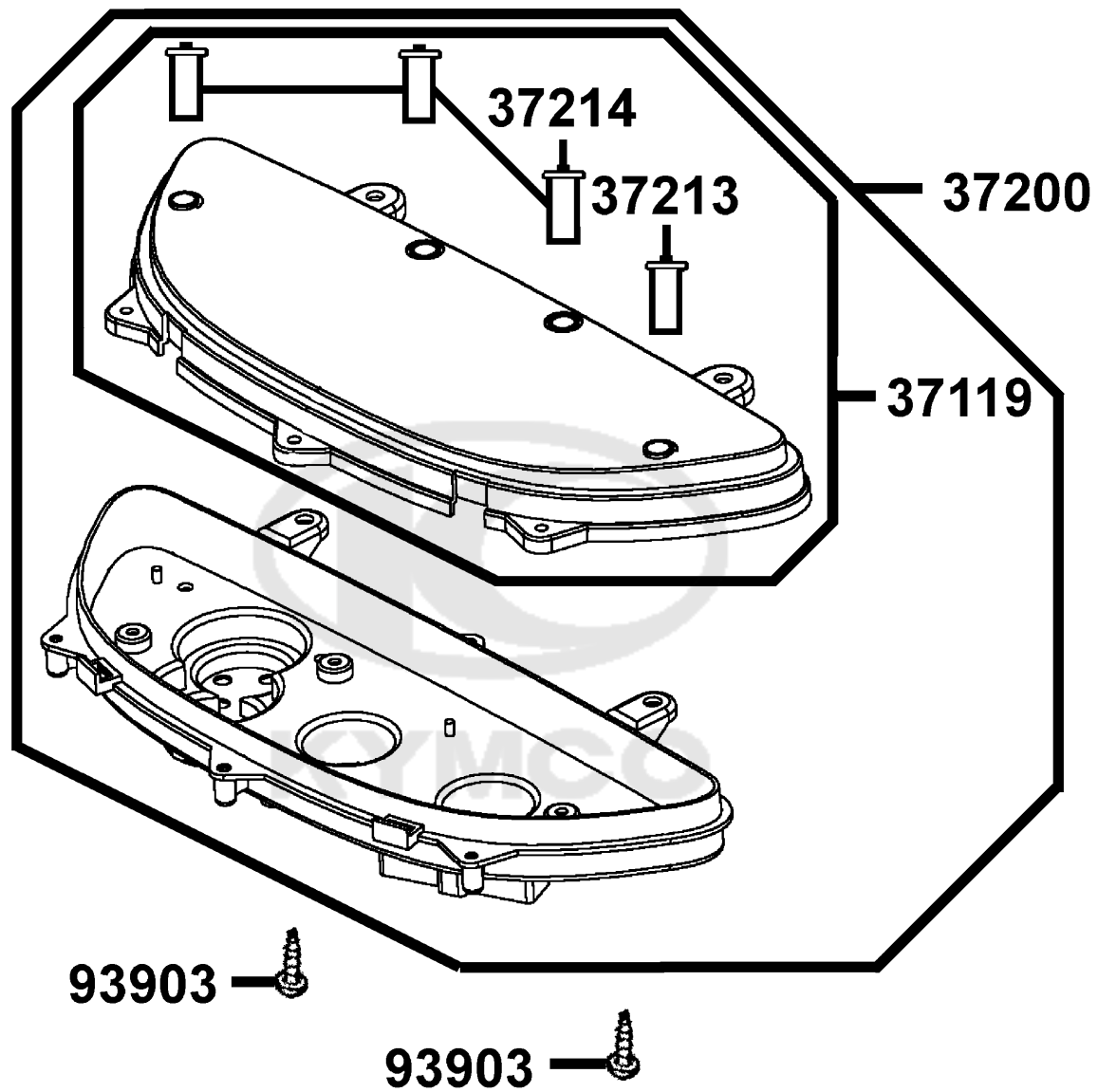


Sales mark	Ref no	Part no	Description	Reg description	Regd no	F01
	33100	33100-LBA2-M30	LIGHT ASSY HEAD	LIGHT ASSY HEAD	1	
	33120	33120-LBA2-M30	UNIT HEAD LIGHT	UNIT HEAD LIGHT	1	
	33130	33130-LBA2-M30	SOCKET COMP	SOCKET COMP	1	
	34901	34901-KED9-900	BULB HEAD LIGHT	BULB HEAD LIGHT	1	
	93903-35320	93903-35320	SCREW TAPPING 5*16	SCREW TAPPING 5*16	6	



F02

Speed meter

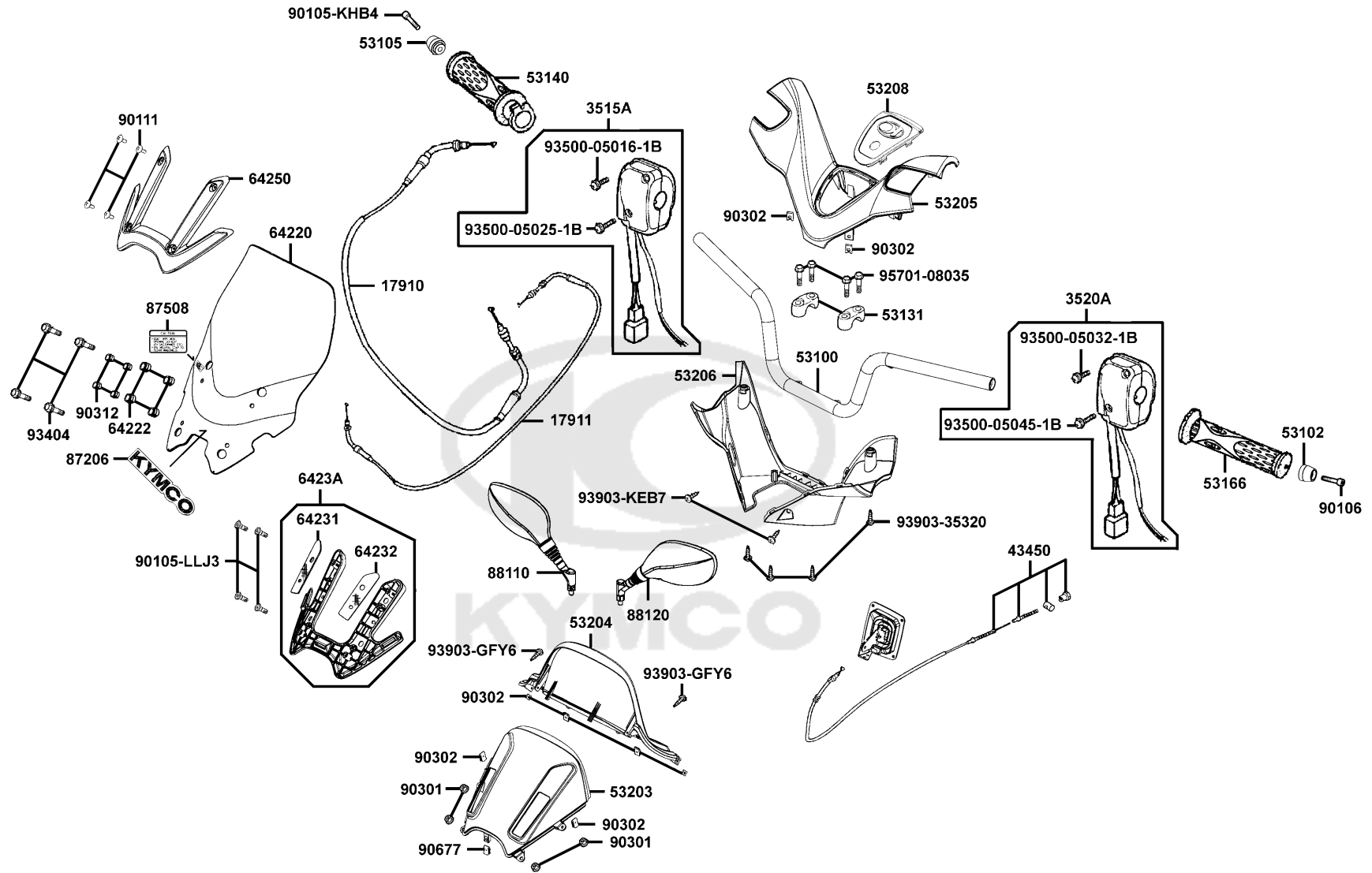


Sales mark	Ref no	Part no	Description	Reg description	Regd no	F02
	37119	37119-LBA2-E00	LENS	LENS	1	
	37200	37200-LDG7-M30	METER ASSY SPEED	METER ASSY SPEED	1	
	37213	37213-LBA2-E00	BUTTON A	BUTTON A	1	
	37214	37214-LBA2-E00	BUTTON B	BUTTON B	3	
	93903	93903-35320	SCREW TAPPING 5*16	SCREW TAPPING 5*16	2	



F03

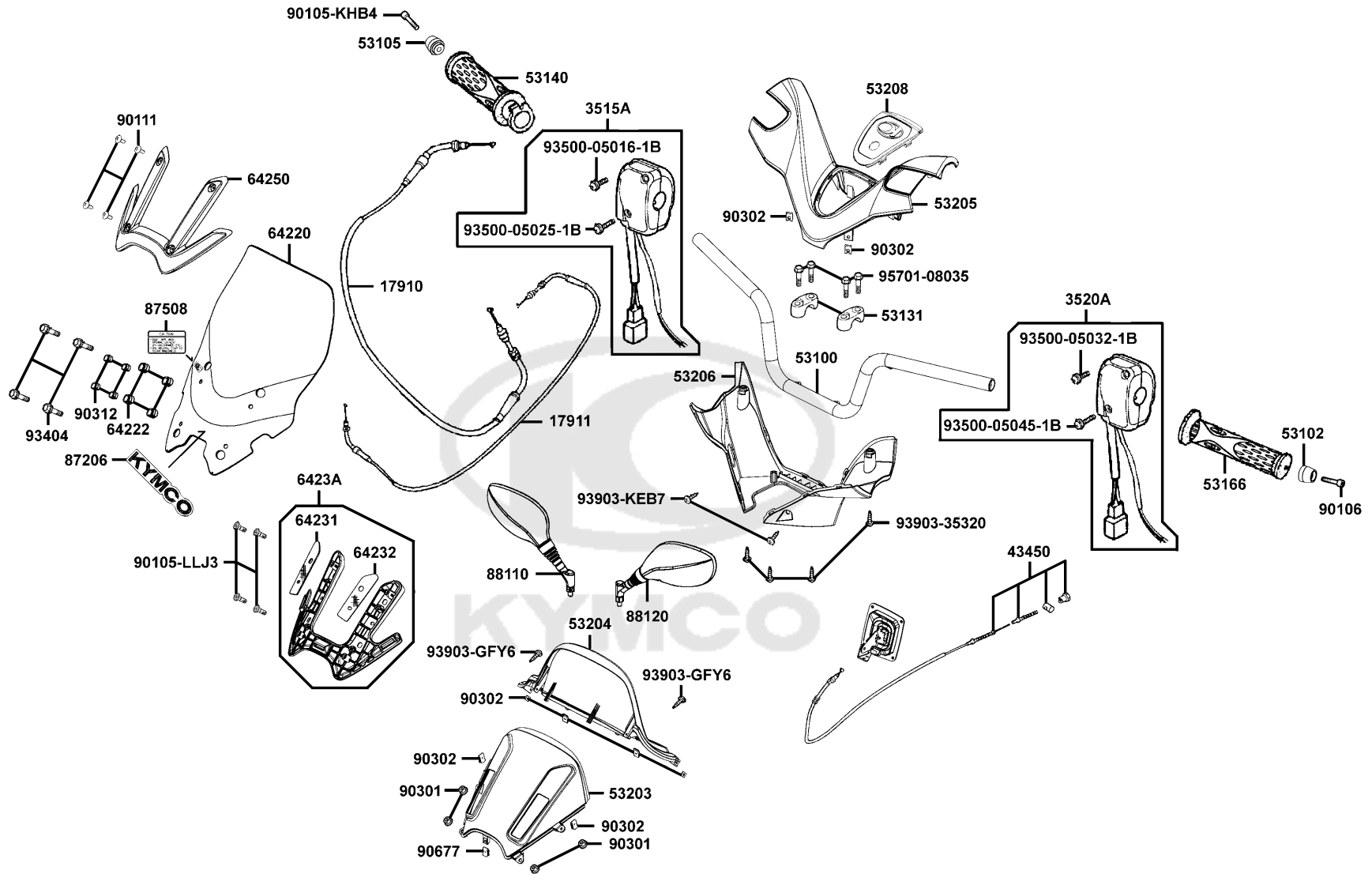
Handle SteeringHandle Cover



Sales mark	Ref no	Part no	Description	Reg description	Regd no	F03
	17910	17910-LDG7-900	CABLE COMP THROT	CABLE COMP THROT	1	
#	17911	17911-LDF2-900	CABLE B COMP THROT	CABLE B COMP THROT	1	
	3515A	3515A-LDB2-B80	SW ASSY RH HNDL COMP	SW ASSY RH HNDL COMP	1	
	3520A	3520A-KEBE-900	SW ASSY L HNDL COMP	SW ASSY L HNDL COMP	1	
	43450	43450-LBA2-E00	CABLE RR HAND BRAKE	CABLE RR HAND BRAKE	1	
	53100	53100-LBA2-E00	HANDLE COMP STRG	HANDLE COMP STRG	1	
**	53102	53102-LEA5-E00	END L HANDLE	END L HANDLE	1	
**	53105	53105-LEA5-E00	END R HANDLE	END R HANDLE	1	
	53131	53131-3H98-941	HOLDER HANDLE PIPE	HOLDER HANDLE PIPE	2	
**	53140	53140-KKC4-900	GRIP COMP THROT	GRIP COMP THROT	1	
**	53166	53166-KGB5-900	GRIP L HANDLE	GRIP L HANDLE	1	
**	53203	53203-LBA2-E00	COVER METER FR	COVER METER FR	1	
**	53204	53204-LBA2-E00	COVER METER RR	COVER METER RR	1	
**	53205	53205-LBA2-E02	COVER HNDL UP	COVER HNDL UP	1	
**	53206	53206-LBA2-E00	COVER R HANDLE LOW	COVER R HANDLE LOW	1	
	53208	53208-LBA2-E00	GRILL HANDLE UP	GRILL HANDLE UP	1	
**	64220	64220-LDG7-E00	WIND SCREEN	WIND SCREEN	1	
	64222	64222-KKC4-900	RUBBER WIND SCREEN	RUBBER WIND SCREEN	4	
	64231	64231-LBA2-E00	SPONGE TAPE R HOLDER	SPONGE TAPE R HOLDER	1	
	64232	64232-LBA2-E00	SPONGE TAPE L HOLDER	SPONGE TAPE L HOLDER	1	

F03

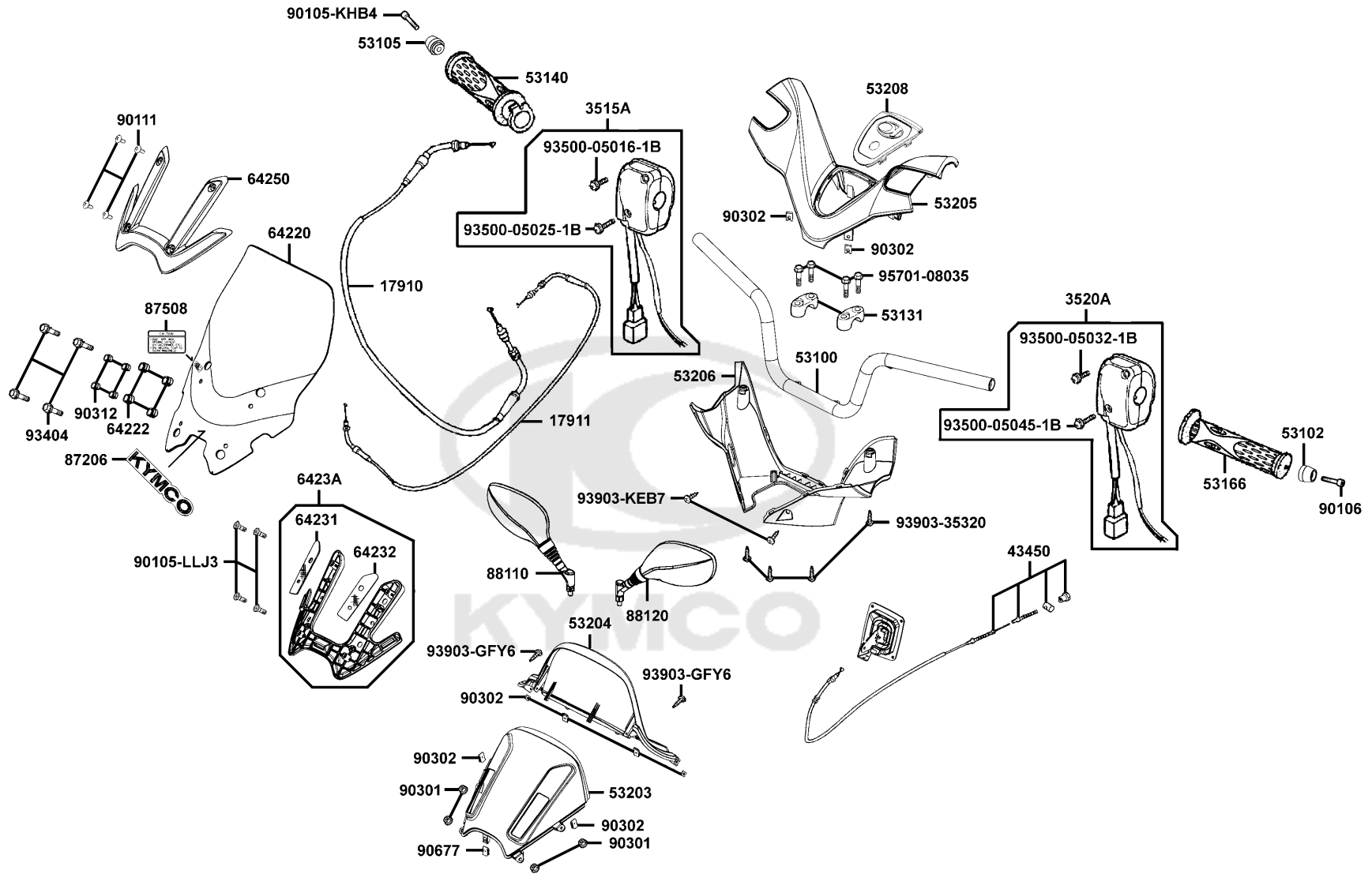
Handle SteeringHandle Cover



Sales mark	Ref no	Part no	Description	Reg description	Regd no	F03
**	6423A	6423A-LBA2-E00	HOLDER ASSY WIND SCREEN	HOLDER ASSY WIND SCREEN	1	
**	64250	64250-LBA2-E00	COVER WIND SCREEN	COVER WIND SCREEN	1	
**	87206	87206-LBA2-E00	EMB MARK KYMCO	EMB MARK KYMCO	1	
**	87508	87508-KKC4-E00	LABEL CLEANNESS CAUYION	LABEL CLEANNESS CAUYION	1	
**	88110	88110-LBA2-E02	MIRROR ASSY R BACK	MIRROR ASSY R BACK	1	
**	88120	88120-LBA2-E02	MIRROR ASSY L BACK	MIRROR ASSY L BACK	1	
	90105-KHB4	90105-KHB4-900	BOLT WASH M8*60	BOLT WASH M8*60	1	
	90105-LLJ3	90105-LLJ3-E00	BOLT SPECAL 8MM	BOLT SPECAL 8MM	4	
	90106	90106-KFC2-900	BOLT SPECIAL 8MM	BOLT SPECIAL 8MM	1	
	90111	90111-KED9-900	SCREW PAN 6*14	SCREW PAN 6*14	4	
	90301	90301-6D34-671	NUT FLANGE 6MM	NUT FLANGE 6MM	4	
	90302	90302-SDA4-004	NUT SPRING 4MM	NUT SPRING 4MM	8	
	90312	90312-GLF0-001	COLLAR BODY COVER	COLLAR BODY COVER	4	
	90677	90677-GAR1-004	NUT CLIP 5MM	NUT CLIP 5MM	1	
	93404	93404-06020-06	BOLT WASHER 6*20 (G)	BOLT WASHER 6*20 (G)	4	
	93500-05016-1B	93500-05016-1B	SCREW PAN 5*16	SCREW PAN 5*16	1	
	93500-05025-1B	93500-05025-1B	SCREW PAN 5*25	SCREW PAN 5*25	1	
	93500-05032-1B	93500-05032-1B	SCREW PAN 5*32	SCREW PAN 5*32	1	
	93500-05045-1B	93500-05045-1B	SCREW PAN 5*45	SCREW PAN 5*45	1	
	93903-35320	93903-35320	SCREW TAPPING 5*16	SCREW TAPPING 5*16	4	

F03

Handle SteeringHandle Cover

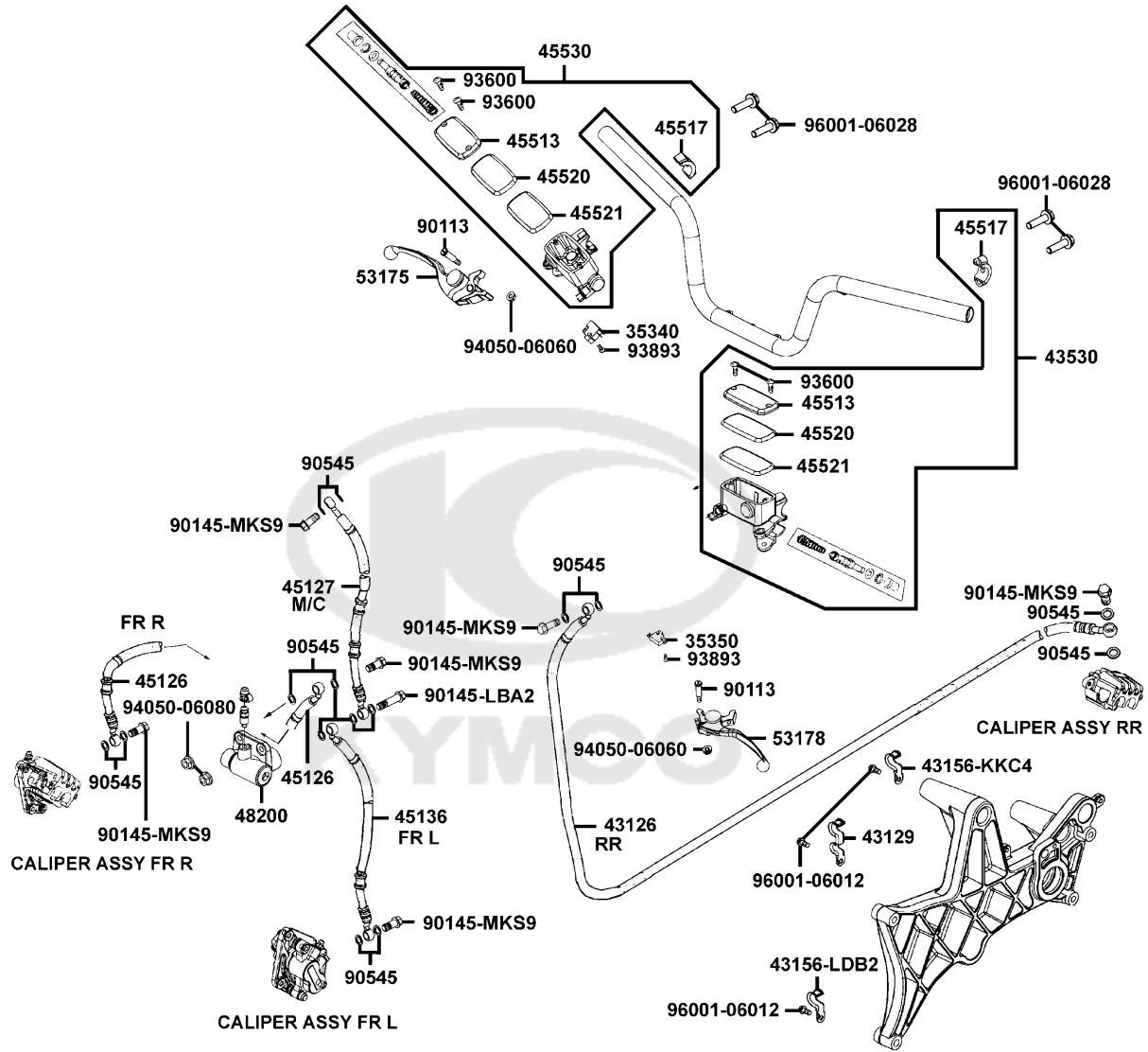


Sales mark	Ref no	Part no	Description	Reg description	Regd no	F03
------------	--------	---------	-------------	-----------------	---------	------------

	93903-GFY6	93903-GFY6-900	SCREW TAPPING 4*14	SCREW TAPPING 4*14	2	
	93903-KEB7	93903-KEB7-900-06	SCREW WASHER 4*12 (G)	SCREW WASHER 4*12 (G)	2	
	95701-08035	95701-08035-06	BOLT FLANGE 8*28	BOLT FLANGE 8*28	4	

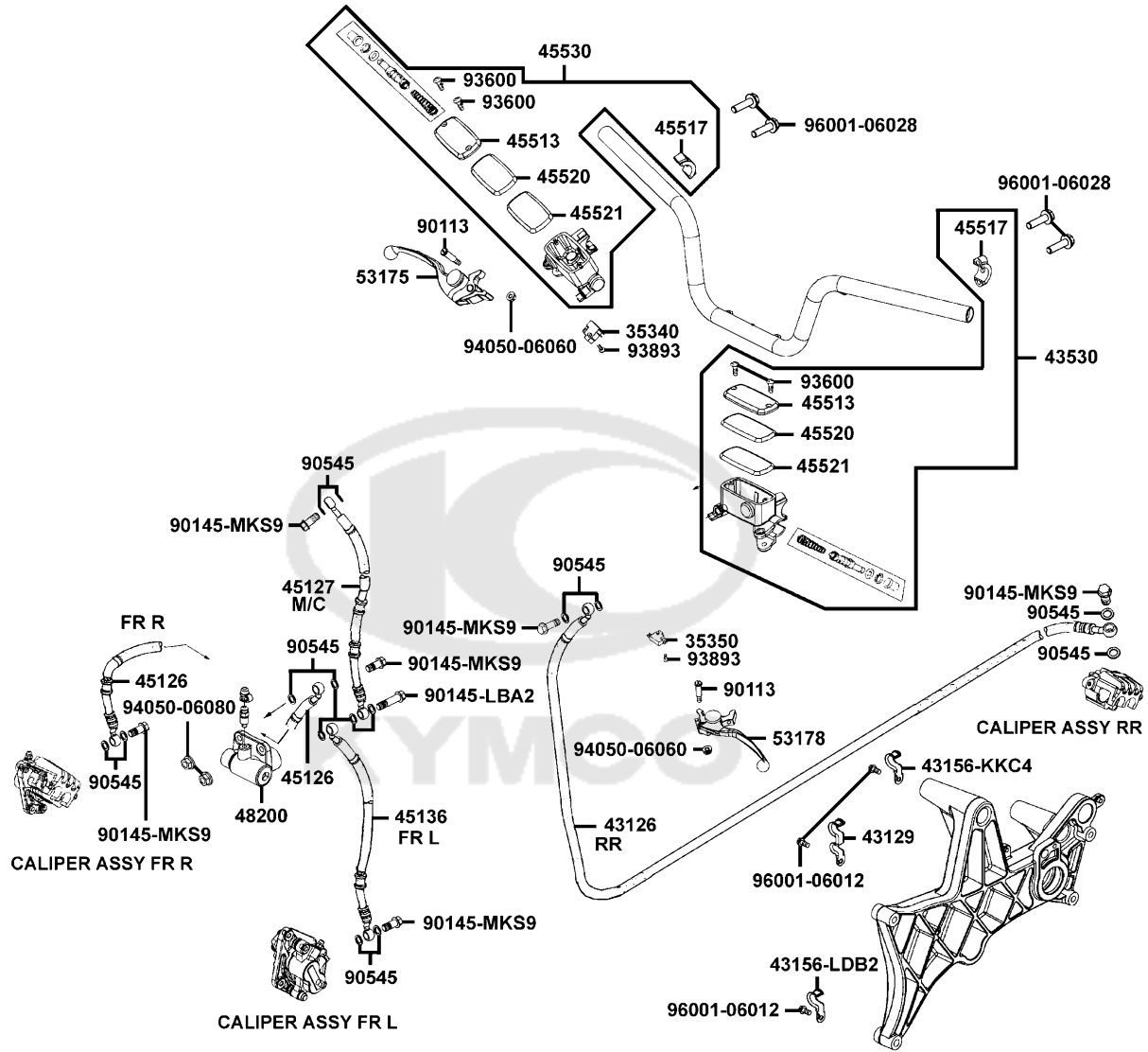


Brake Master Cylinder



Sales mark	Ref no	Part no	Description	Reg description	Regd no	F04
	35340	35340-KNBN-901	SW ASSY FR STOP	SW ASSY FR STOP	1	
	35350	35350-KNBN-901	SW ASSY RR STOP	SW ASSY RR STOP	1	
	43126	43126-LBA2-E02	HOSE ASSY C/P RR BRAKE	HOSE ASSY C/P RR BRAKE	1	
	43129	43129-LBA2-E00	CLAMPER RR BRK HOSE & CABLE	CLAMPER RR BRK HOSE & CABLE	1	
	43156-KKC4	43156-KKC4-900	CLAMPER HOSE RR	CLAMPER HOSE RR	1	
	43156-LDB2	43156-LDB2-900	CLAMPER HOSE RR	CLAMPER HOSE RR	1	
	43530	43530-LBA2-309	CYLINDER SET RR MASTER	CYLINDER SET RR MASTER	1	
	45126	45126-LBA2-E02	HOSE ASSY FR BRAKE (RH)	HOSE ASSY FR BRAKE (RH)	1	
	45127	45127-LBA2-E02	HOSE ASSY M/C FR BRAKE	HOSE ASSY M/C FR BRAKE	1	
	45136	45136-LBA2-E02	HOSE ASSY FR BRK (LH)	HOSE ASSY FR BRK (LH)	1	
**	45513	45513-LEA7-E00	CAP M/C	CAP M/C	2	
	45517	45517-LBA2-E00	HOLDER M/C	HOLDER M/C	2	
	45520	45520-KKA8-900	DIAPHRAGM	DIAPHRAGM	2	
	45521	45521-LEA7-E00	PLATE DIAPHRAGM	PLATE DIAPHRAGM	2	
	45530	45530-LBA2-309	CYLINDER SET FR MASTER	CYLINDER SET FR MASTER	1	
	48200	48200-LBA2-E02	LIMIT VALVE ASSY UBS	LIMIT VALVE ASSY UBS	1	
**	53175	53175-LBA2-E00	LEVER R STRG HANDLE	LEVER R STRG HANDLE	1	
**	53178	53178-LBA2-E00	LEVER L STRG HANDLE	LEVER L STRG HANDLE	1	
	90113	90113-KKA8-900	BOLT L STEERING HANDLE	BOLT L STEERING HANDLE	2	
	90145-LBA2	90145-LBA2-E00	OIL BOLT 10*33	OIL BOLT 10*33	1	

Brake Master Cylinder

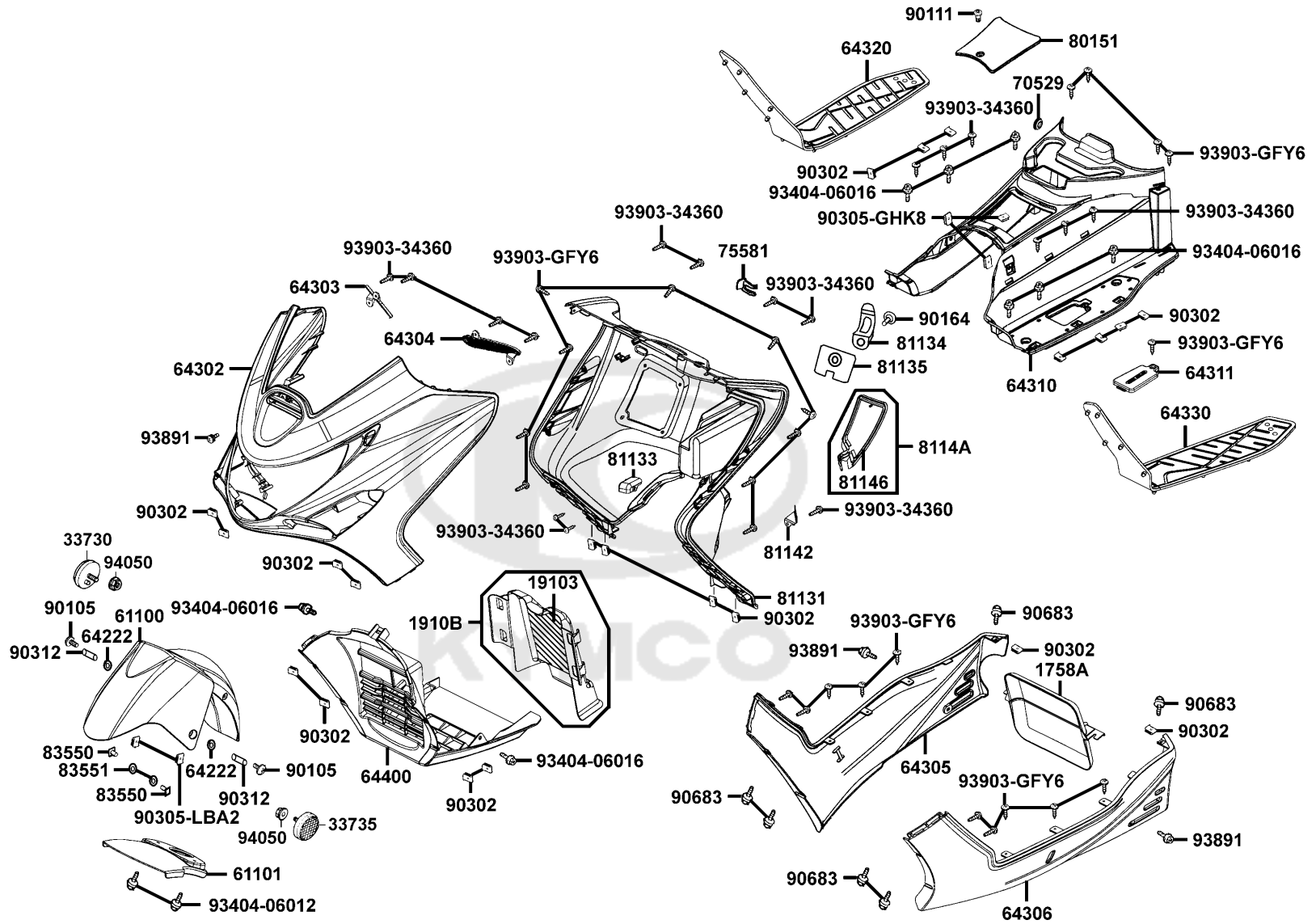


Sales mark	Ref no	Part no	Description	Reg description	Regd no	F04
	90145-MKS9	90145-MKS9-61A	OIL BOLT 10*22	OIL BOLT 10*22	6	
	90545	90545-3L00-001	WASHER OIL BOLT	WASHER OIL BOLT	15	
	93600	93600-04012-1A	SCREW FLAT 4*12	SCREW FLAT 4*12	4	
	93893	93893-04012-18	SCREW WASHER 4*12	SCREW WASHER 4*12	2	
	94050-06060	94050-06060	NUT FLANGE 6MM	NUT FLANGE 6MM	2	
	94050-06080	94050-06080	NUT FLANGE 6MM	NUT FLANGE 6MM (C)	2	
	96001-06012	96001-06012-08	BOLT FLANGE 6*12	BLOT FLANGE SH 6*12	3	
	96001-06028	96001-06028-06	BOLT FLANGESH 6*28 (G)	BOLT FLANGESH 6*28 (G)	4	



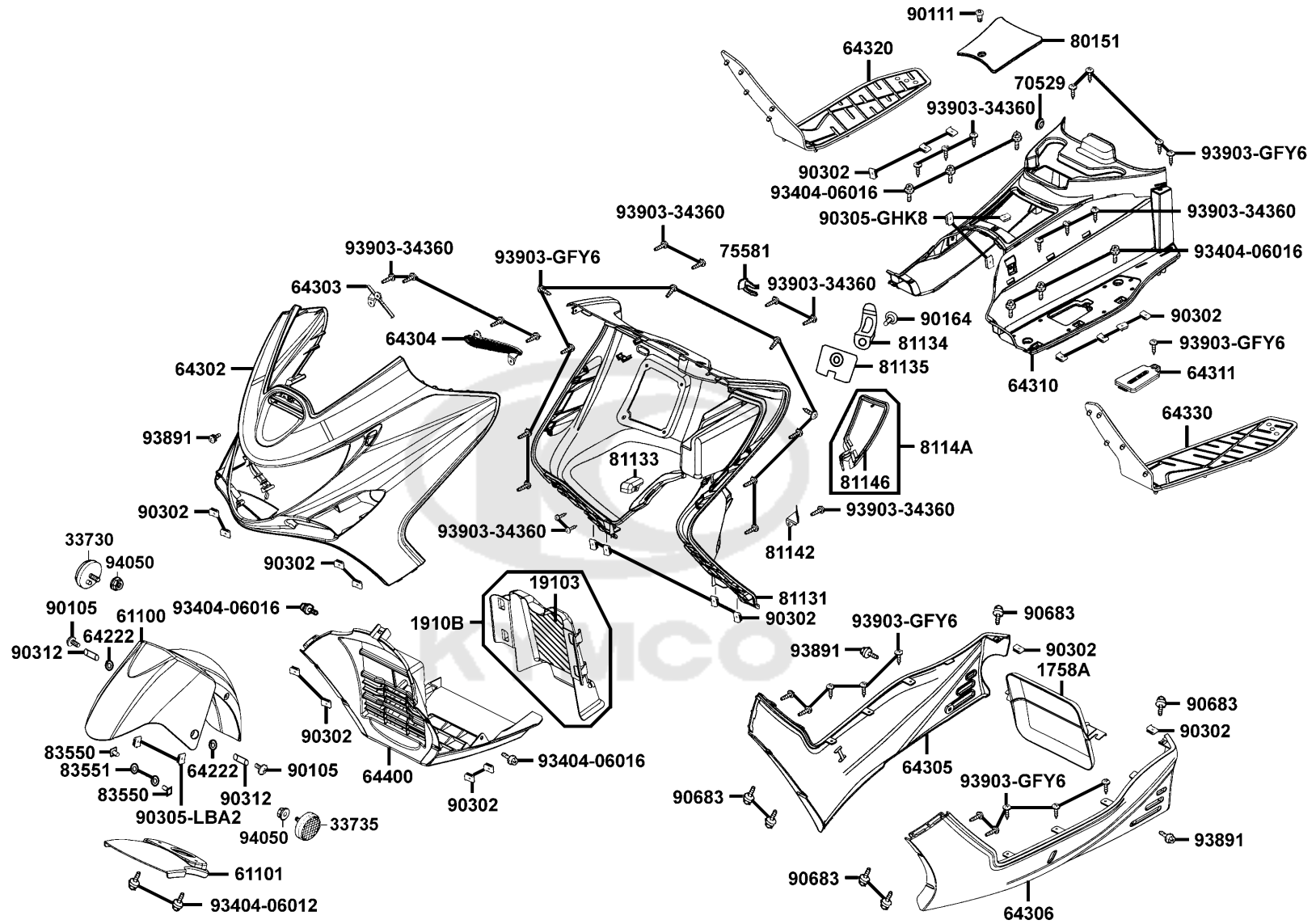
F05

Front CoverFloor Panel



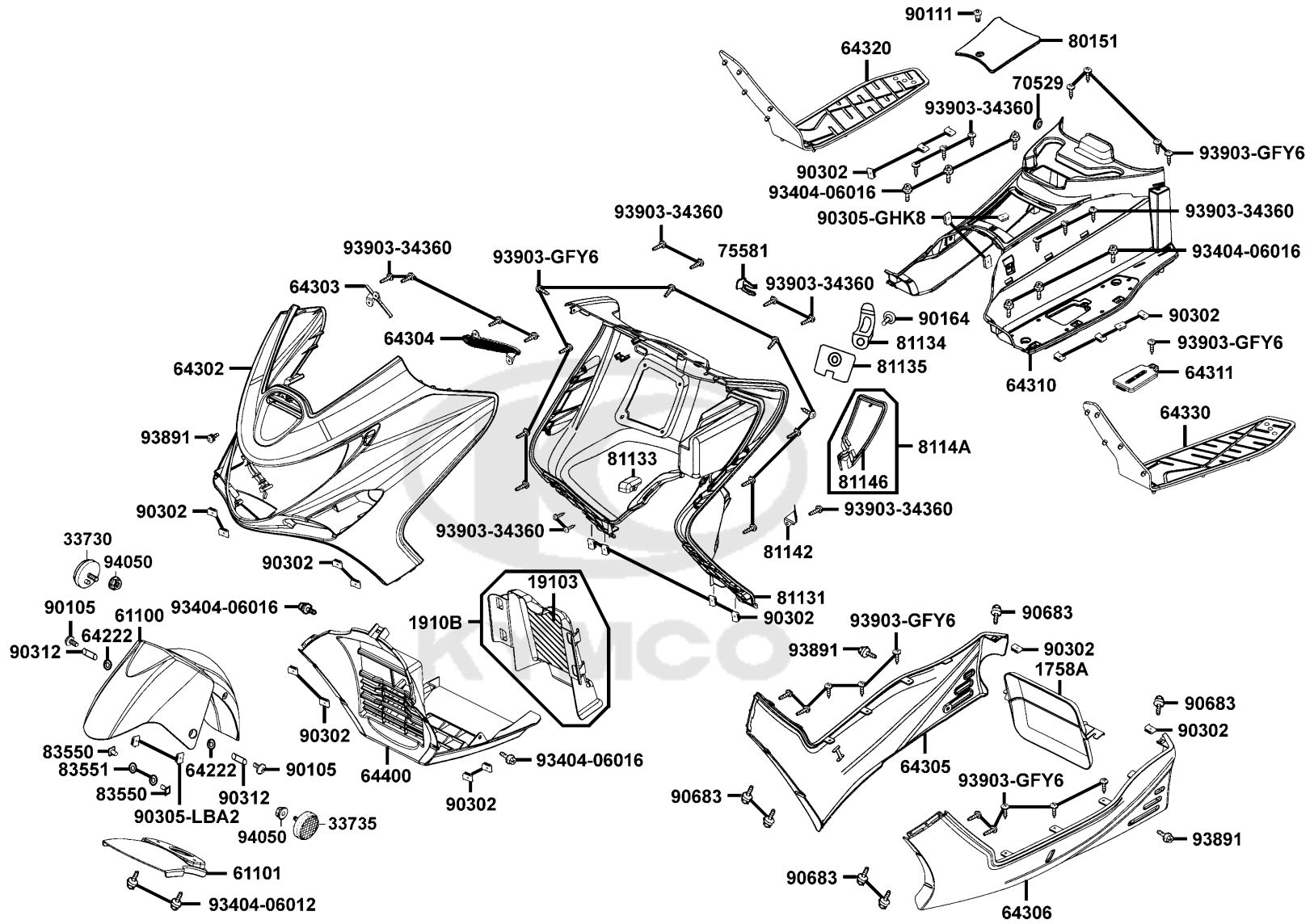
Sales mark	Ref no	Part no	Description	Reg description	Regd no	F05
	1758A	1758A-LBA2-E00	GUARD ASSY TANK	GUARD ASSY TANK	1	
	19103	19103-LBA2-E00	HRAT GUARD COOLING AIR	HRAT GUARD COOLING AIR	1	
	1910B	1910B-LBA2-E00	DUCT ASSY COOLING TANK	DUCT ASSY COOLING TANK	1	
	33730	33730-KHD8-M00	REFLEX REFLECTOR COMP FR R SIDE	REFLEX REFLECTOR COMP FR R SIDE	1	
	33735	33735-KHD8-M00	REFLEX REFLECTOR COMP FR L SIDE	REFLEX REFLECTOR COMP FR L SIDE	1	
**	61100	61100-LBA2-315	FENDER FR	FENDER FR	1	
	61101	61101-LBA2-E00	FENDER FR INNER	FENDER FR INNER	1	
	64222	64222-LLJ3-E00	RUBBER WIND SCREEN	RUBBER WIND SCREEN	2	
**	64302	64302-LBA2-305	MOLDING FR	MOLDING FR	1	
**	64303	64303-LBA2-E00	GRID R FR MOLDING	GRID R FR MOLDING	1	
**	64304	64304-LBA2-E00	GRID L FR MOLDING	GRID L FR MOLDING	1	
**	64305	64305-LBA2-E00	SKIRT R SIDE	SKIRT R SIDE	1	
**	64306	64306-LBA2-E00	SKIRT L SIDE	SKIRT L SIDE	1	
**	64310	64310-LBA2-E00	FLOOR PANEL	FLOOR PANEL	1	
**	64311	64311-LBA2-E00	COVER R PILLION STEP	COVER R PILLION STEP	1	
**	64320	64320-LBA2-E00	MAT R FLOOR	MAT R FLOOR	1	
**	64330	64330-LBA2-E00	MAT L FLOOR	MAT L FLOOR	1	
**	64400	64400-LBA2-E00	COWL UNDER	COWL UNDER	1	
	70529	70529-6G57-671	GROM B SIDE PNL	GROM B SIDE PNL	1	
	75581	75581-6C73-001	SET SPG LOCK KEY	SET SPG LOCK KEY	1	

Front CoverFloor Panel



Sales mark	Ref no	Part no	Description	Reg description	Regd no	F05
**	80151	80151-LBA2-E00	COVER CENTER	COVER CENTER	1	
**	81131	81131-LBA2-E01	LEG SHIELD	LEG SHIELD	1	
	81133	81133-LBA2-E00	CAP LEG SHIELD	CAP LEG SHIELD	1	
	81134	81134-KGBG-900	HOOK LUGGAGE	HOOK LUGGAGE	1	
	81135	81135-KGBG-900	STAY LUGGAGE HOOK	STAY LUGGAGE HOOK	1	
	81142	81142-LBA2-E00	STAY LID INNER BOX	STAY LID INNER BOX	1	
	81146	81146-LBA2-E00	SEAL LID INNER BOX	SEAL LID INNER BOX	1	
**	8114A	8114A-LBA2-E00	LID ASSY INNER BOX	LID ASSY INNER BOX	1	
	83550	83550-KEC8-900	COLLAR	COLLAR	2	
	83551	83551-KEC8-900	GROMMET COVER	GROMMET COVER	2	
	90105	90105-LLJ3-E00	BOLT SPECAL 8MM	BOLT SPECAL 8MM	2	
	90111	90111-KED9-900	SCREW PAN 6*14	SCREW PAN 6*14	1	
	90164	90164-MDR4-901	SCREW SPECIAL 6MM	SCREW SPECIAL 6MM	1	
	90302	90302-SDA4-004	NUT SPRING 4MM	NUT SPRING 4MM	21	
	90305-GHK8	90305-GHK8-001	NUT CLIP 6MM	NUT CLIP 6MM	3	
	90305-LBA2	90305-LBA2-E00	NUT CLIP 6MM	NUT CLIP 6MM	2	
	90312	90312-LLJ3-E01	COLLAR WIND SCREEN	COLLAR WIND SCREEN	2	
	90683	90683-GAR1-004	CLIP BODY COVER	CLIP BODY COVER	6	
	93404-06012	93404-06012-06	BOLT WASHER 6*12 (G)	BOLT WASHER 6*12 (G)	2	
	93404-06016	93404-06016-06	BOLT WASHER 6*16	BOLT WASHER 6*16	8	

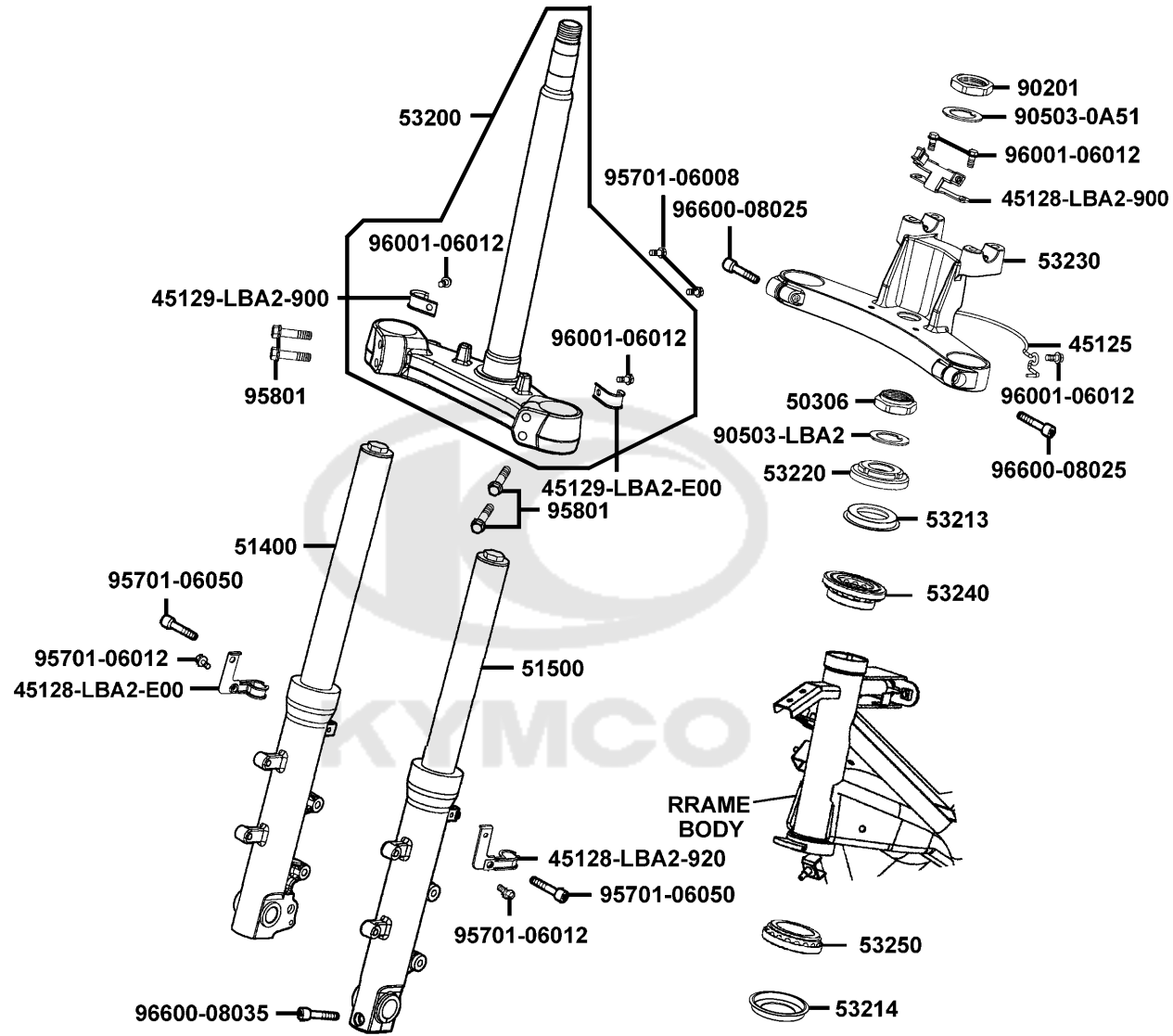
Front CoverFloor Panel



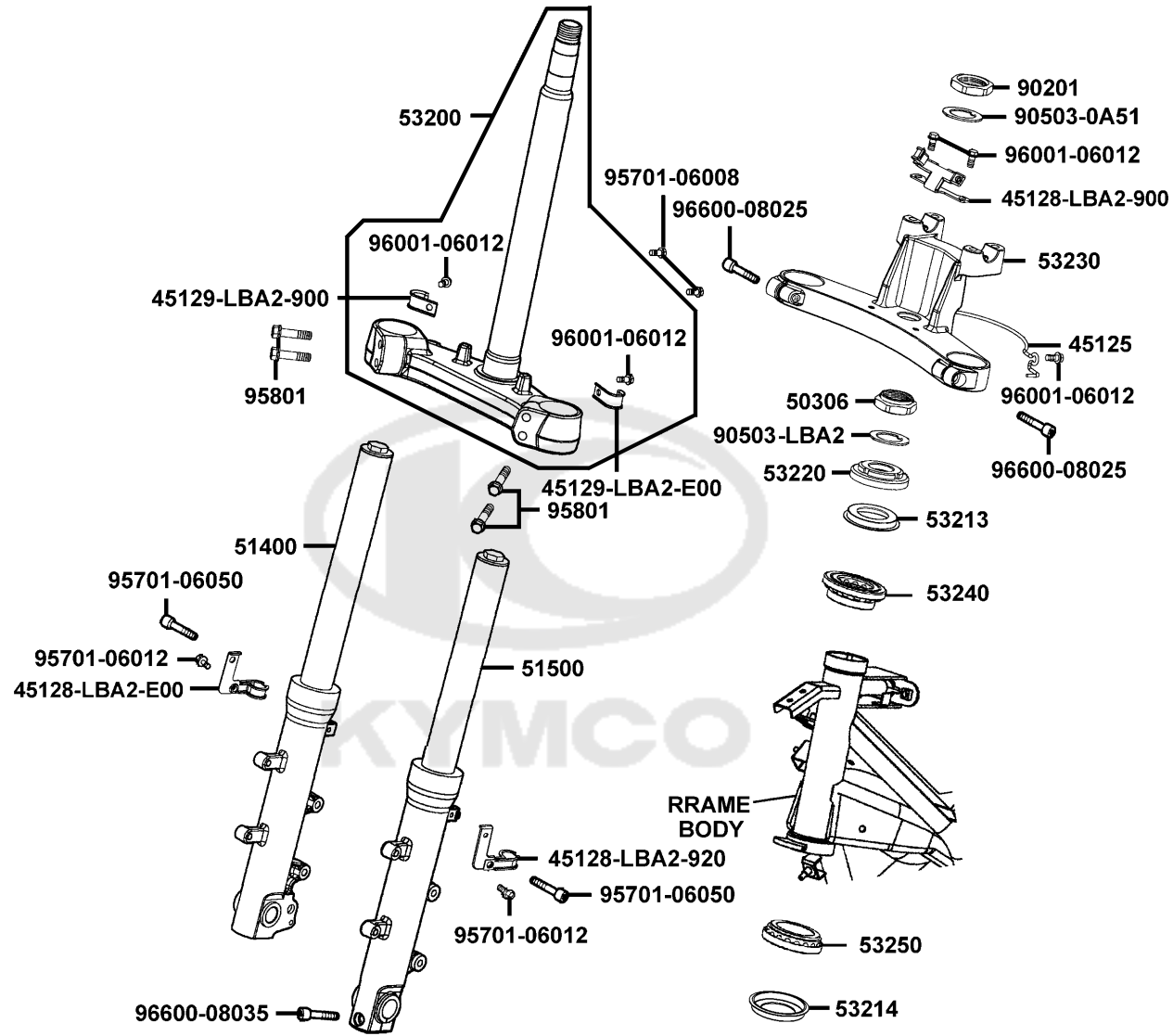
Sales mark	Ref no	Part no	Description	Reg description	Regd no	F05
------------	--------	---------	-------------	-----------------	---------	------------

93891		93891-05016-06	SCREW WASHER 5* 16	SCREW WASHER 5* 16	3	
93903-34360		93903-34360	SCREW TAPPING 4*12 (G)	SCREW TAPPING 4*12 (G)	17	
93903-GFY6		93903-GFY6-900	SCREW TAPPING 4*14	SCREW TAPPING 4*14	25	
94050		94050-06080	NUT FLANGE 6MM	NUT FLANGE 6MM (C)	2	





Sales mark	Ref no	Part no	Description	Reg description	Regd no	F06
	45125	45125-LBA2-E00	CLIP BRK HOSE(TOP BRIDGE)	CLIP BRK HOSE(TOP BRIDGE)	1	
	45128-LBA2-900	45128-LBA2-900	CLAMPER FR BRK (TOP BRIDGE)	CLAMPER FR BRK (TOP BRIDGE)	1	
	45128-LBA2-920	45128-LBA2-920	CLAMPER FR BRK HOSE	CLAMPER FR BRK HOSE	1	
	45128-LBA2-E00	45128-LBA2-E00	CLAMPER FR BRK HOSE	CLAMPER FR BRK HOSE	1	
	45129-LBA2-900	45129-LBA2-900	CLAMPER FR BRK HOSE	CLAMPER FR BRK HOSE	1	
	45129-LBA2-E00	45129-LBA2-E00	CLAMPER FR BRK HOSE	CLAMPER FR BRK HOSE	1	
	50306	50306-1F96-001	NUT STRG STEM LOCK	NUT STRG STEM LOCK	1	
**	51400	51400-LBA2-E00	FORK ASSY R FR	FORK ASSY R FR	1	
**	51500	51500-LBA2-E00	FORK ASSY L FR	FORK ASSY L FR	1	
	53200	53200-LBA2-E00	STEM COMP STRG	STEM COMP STRG	1	
	53213	53213-LBA2-E00	DUST SEAL STRG HEAD TOP	DUST SEAL STRG HEAD TOP	1	
	53214	53214-LBA2-E00	DUST SEAL STRG (HEAD)	DUST SEAL STRG (HEAD)	1	
	53220	53220-LBA2-E00	THREAD COMP STRG HEAD TOP	THREAD COMP STRG HEAD TOP	1	
	53230	53230-LBA2-E00	BRIDGE FORK TOP	BRIDGE FORK TOP	1	
	53240	53240-LBA2-E00	BEARING TOT STRG	BEARING TOT STRG	1	
	53250	53250-LBA2-E00	BEARING BOT STRG	BEARING BOT STRG	1	
	90201	90201-LBA2-E00	NUT STRG STEM	NUT STRG STEM	1	
	90503-0A51	90503-0A51-870	WASHER STEERING STEM NUT	WASHER STEERING STEM NUT	1	
	90503-LBA2	90503-LBA2-E00	WASHER STRG STEM NUT	WASHER STRG STEM NUT	1	
	95701-06008	95701-06008-06	BOLT FLANGE 6*8	BOLT FLANGE 6*8	2	



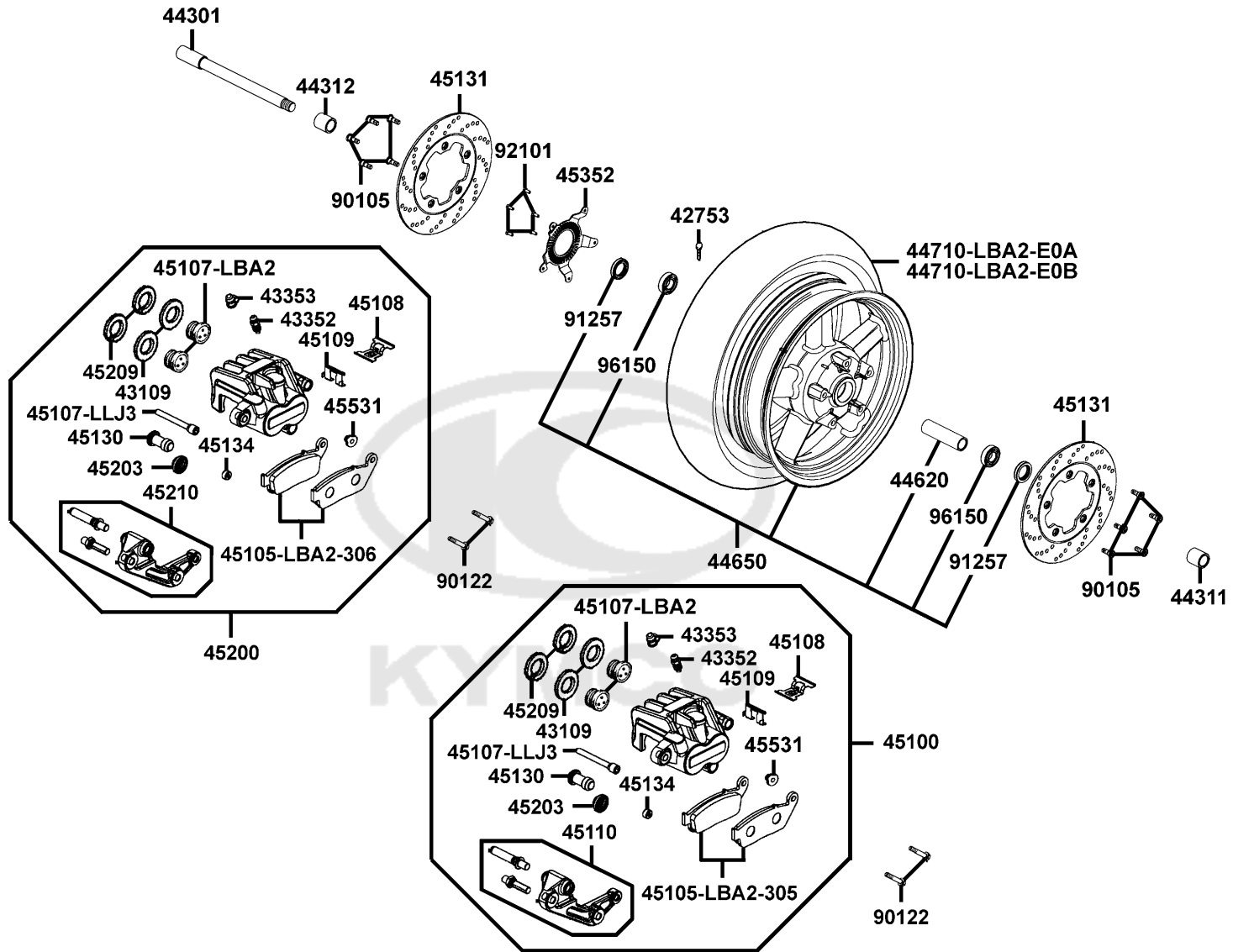
Sales mark	Ref no	Part no	Description	Reg description	Regd no	F06
	95701-06012	95701-06012-00	BOLT FLANGE 6*12	BOLT FLANGE 6*12	2	
	95701-06050	95701-06050-00	BOLT FLANGE 6*50	BOLT FLANGE 6*50	2	
	95801	95801-08040-08	BOLT FLANGE 8*40	BOLT FLANGE 8*40 (C)	4	
	96001-06012	96001-06012-08	BOLT FLANGE 6*12	BLOT FLANGE SH 6*12	7	
	96600-08025	96600-08025-06	SOCKET BOLT 8*25	SOCKET BOLT 8*25	2	
	96600-08035	96600-08035-06	SOCKET BOLT 8*35	SOCKET BOLT 8*35	1	



Sales mark	Ref no	Part no	Description	Reg description	Regd no	F07
	42753	42753-KNBN-90B	VALAE RIM (TR412)	VALAE RIM (TR412)	1	
	43109	43109-LBA2-E00	DUST SEAL	DUST SEAL	4	
	43353	43353-KED9-900	CAP BLEEDER	CAP BLEEDER	2	
	43352	4335A-LBA2-E01	BLEEDER ASSY	BLEEDER ASSY	1	
	44301	44301-LBA2-E00	AXLE FR WHEEL	AXLE FR WHEEL	1	
	44311	44311-KED9-900	COLLAR FR WHEEL SIDE	COLLAR FR WHEEL SIDE	1	
	44312	44312-LBA2-E00	COLLAR FR WHEEL SIDE L	COLLAR FR WHEEL SIDE L	1	
	44620	44620-LBA2-E00	COLLAR FR AXLE DISTANCE	COLLAR FR AXLE DISTANCE	1	
**	44650	44650-LBA2-305	WHEEL SET FR	WHEEL SET FR	1	
	44710-LBA2-E0A	44710-LBA2-E0A	TIRE ASSY FR /MAXXIS	TIRE ASSY FR /MAXXIS	1	
	44710-LBA2-E0B	44710-LBA2-E0B	TIRE ASSY FR /KENDA	TIRE ASSY FR /KENDA	1	
**	45100	45100-LDG7-E03	CALIPER ASSY FR L	CALIPER ASSY FR L	1	
	45105-LBA2-305	45105-LBA2-305	PAD ASSY	PAD ASSY	1	
	45105-LBA2-306	45105-LBA2-306	PAD ASSY	PAD ASSY	1	
	45107-LBA2	45107-LBA2-E00	PISTON	PISTON	4	
	45107-LLJ3	45107-LLJ3-E90	PIN HANGE	PIN HANGE	2	
	45108	45108-KED9-900	SPRING PAD	SPRING PAD	2	
	45109	45109-KED9-900	SLIDE PAD	SLIDE PAD	2	
**	45110	45110-LBA2-305	BRACKET COMP FR	BRACKET COMP FR	1	
	45130	45130-KED9-900	BUSH PIN	BUSH PIN	2	

F07

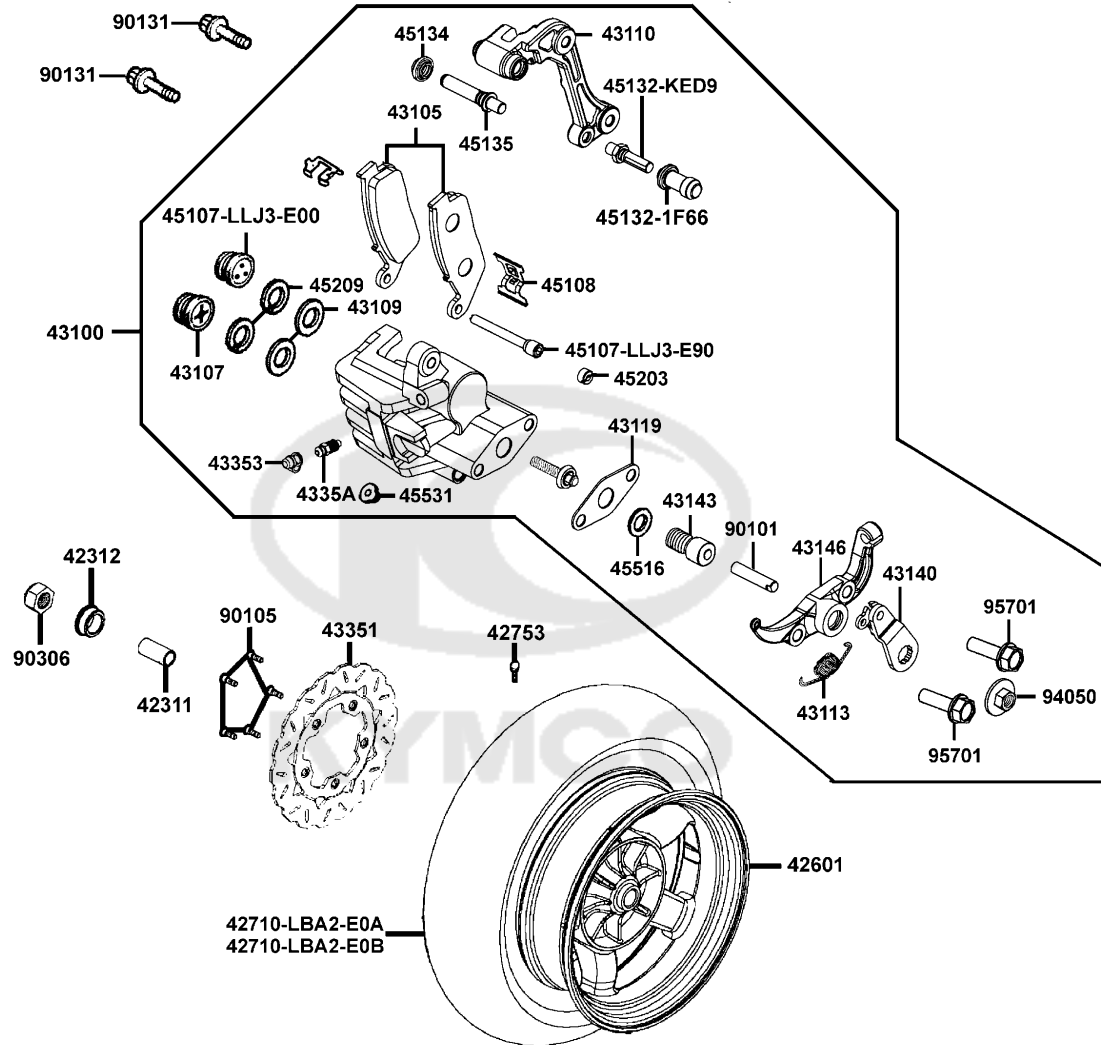
Front Wheel



Sales mark	Ref no	Part no	Description	Reg description	Regd no	F07
	45131	45131-LDG7-E03	DISK FR BRK L	DISK FR BRK L	2	
	45134	45134-KED9-900	BOOT B	BOOT B	2	
**	45200	45200-LDG7-E03	CALIPER ASSY FR R	CALIPER ASSY FR R	1	
	45203	45203-KED9-900	PLUG PIN	PLUG PIN	2	
	45209	45209-LBA2-E00	SEAL PISTON	SEAL PISTON	4	
**	45210	45210-LBA2-305	BRACKET COMP FR	BRACKET COMP FR	1	
	45352	45352-LBA2-E00	READ PLATE ABS	READ PLATE ABS	1	
	45531	45531-KED9-900	PLUG	PLUG	2	
	90105	90105-KCR3-001	BOLT FR DISK 8*24	BOLT FR DISK 8*24	10	
	90122	90122-LBA2-E00	BOLT FLANGE 8*38	BOLT FLANGE 8*38	4	
	91257	91257-KED9-900	DUST SEAL 28*42*8	DUST SEAL 28*42*8	2	
	92101	92101-05012-0A	BOLT HEX 5*12	BOLT HEX 5*12	5	
	96150	96150-60040-10	BEARING BALL RADIAL 6004	BEARING BALL RADIAL 6004	2	

F08

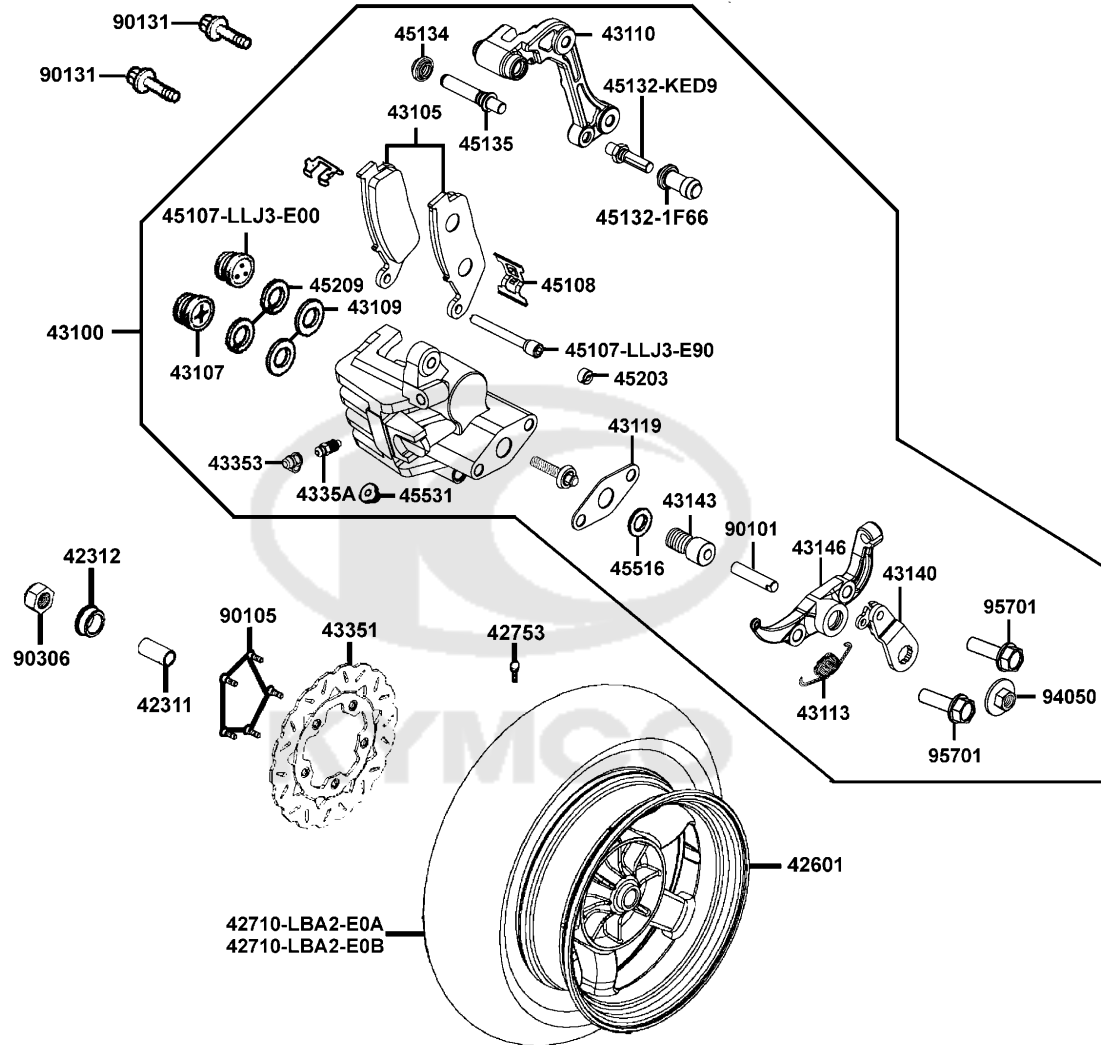
Rear Wheel



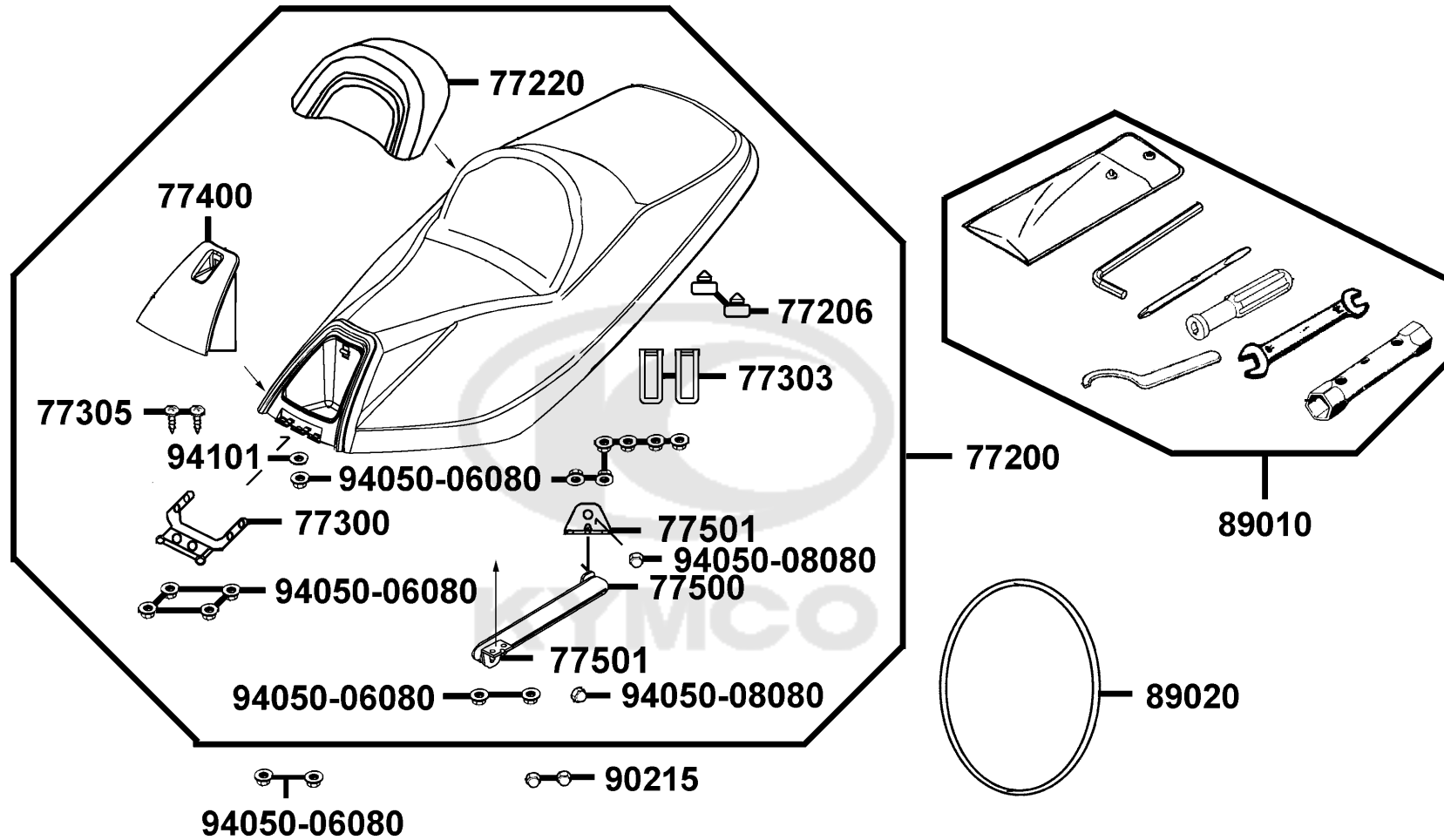
Sales mark	Ref no	Part no	Description	Reg description	Regd no	F08
	42311	42311-LBA2-E00	COLLAR RR AXLE A	COLLAR RR AXLE A	1	
	42312	42312-LBA2-E00	COLLAR RR AXLE SIDE	COLLAR RR AXLE SIDE	1	
**	42601	42601-LFH1-E00	WHEEL COMP RR CAST	WHEEL COMP RR CAST	1	
	42710-LBA2-E0A	42710-LBA2-E0A	TIRE ASSY RR /MAXXIS	TIRE ASSY RR /MAXXIS	1	
	42710-LBA2-E0B	42710-LBA2-E0B	TIRE ASSY RR /KENDA	TIRE ASSY RR /KENDA	1	
	42753	42753-KNBN-90B	VALAE RIM (TR412)	VALAE RIM (TR412)	1	
**	43100	43100-LDG7-E03	CALIPER ASSY RR	CALIPER ASSY RR	1	
	43105	43105-LBA2-305	PAD ASSY	PAD ASSY	1	
	43107	43107-LBA2-E00	PISTON ASSY	PISTON ASSY	1	
	43109	43109-MCA3-007	SEAL PISTON	SEAL PISTON	2	
**	43110	43110-LBA2-E00	BRACKET	BRACKET	1	
	43113	43113-LBA2-E00	SPRING BRAKE ARM	SPRING BRAKE ARM	1	
	43119	43119-LBA2-E00	GASKET WATER PROOF	GASKET WATER PROOF	1	
	43140	43140-LBA2-E00	ARM BRAKE ASSY	ARM BRAKE ASSY	1	
	43143	43143-LBA2-E00	BOLT DRIVE	BOLT DRIVE	1	
**	43146	43146-LBA2-E00	BRACKET CABLE	BRACKET CABLE	2	
	43351	43351-LDG7-E03	DISK RR BRAKE	DISK RR BRAKE	1	
	43353	43353-KED9-900	CAP BLEEDER	CAP BLEEDER	1	
	4335A	4335A-LBA2-E01	BLEEDER ASSY	BLEEDER ASSY	1	
	45107-LLJ3-E00	45107-LLJ3-E00	PISTON	PISTON	1	

F08

Rear Wheel



Sales mark	Ref no	Part no	Description	Reg description	Regd no	F08
	45107-LLJ3-E90	45107-LLJ3-E90	PIN HANGE	PIN HANGE	1	
	45108	45108-KED9-900	SPRING PAD	SPRING PAD	1	
	45132-1F66	45132-1F66-017	BUSH BOOT PIN	BUSH BOOT PIN	1	
	45132-KED9	45132-KED9-900	PIN BOLT	PIN BOLT	1	
	45134	45134-KED9-900	BOOT B	BOOT B	1	
	45135	45135-KED9-900	PIN BOLT A	PIN BOLT A	1	
	45203	45203-KED9-900	PLUG PIN	PLUG PIN	1	
	45209	45209-KED9-900	SEAL PISTON	SEAL PISTON	2	
	45516	45516-LBA2-E00	O RING	O RING	1	
	45531	45531-KED9-900	PLUG	PLUG	1	
	90101	90101-LBA2-E00	BOLT BUSH ROD	BOLT BUSH ROD	1	
	90105	90105-KCR3-001	BOLT FR DISK 8*24	BOLT FR DISK 8*24	5	
	90131	90131-LDB2-E00	BOLT FLANGE 8*42	BOLT FLANGE 8*42	2	
	90306	90306-LBA2-900	NUT U 20MM	NUT U 20MM	1	
	94050	94050-86000	FLANGE NUT M6*1.0	FLANGE NUT M6*1.0	1	
	95701	95701-LBA2-E00	BOLT FLANGE	BOLT FLANGE	1	

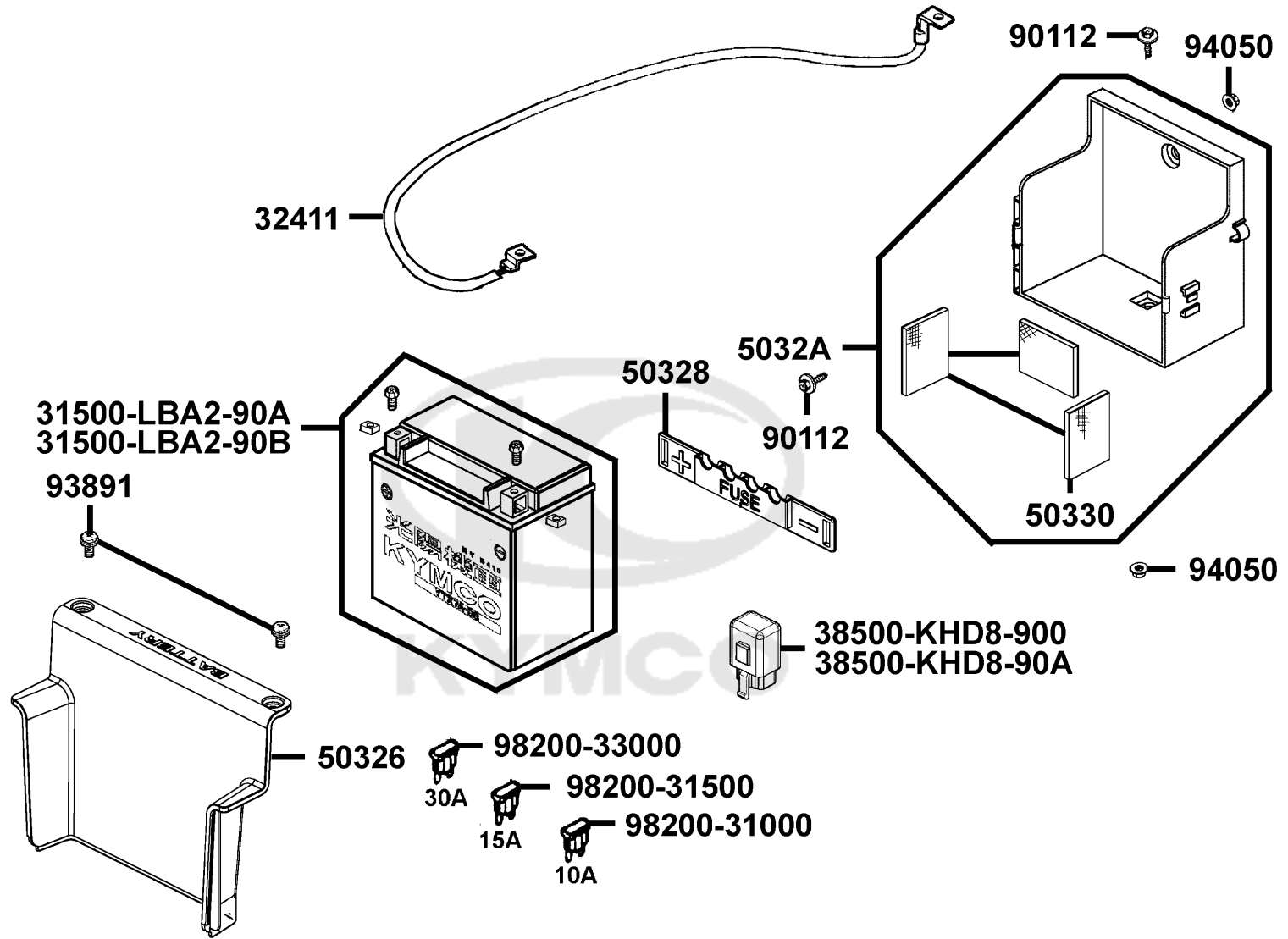


Sales mark	Ref no	Part no	Description	Reg description	Regd no	F09
**	77200	77200-LDG7-E00	SEAT ASSY	SEAT ASSY	1	
	77206	77206-KEB7-900	RUBBER SEAT CUSH	RUBBER SEAT CUSH	2	
**	77220	77220-LDG7-E00	SEAT ASSY PAD	SEAT ASSY PAD	1	
	77300	77300-LBA2-E00	HINGE ASSY SEAT	HINGE ASSY SEAT	1	
	77303	77303-LLJ3-E00	HOOK SEAT LOCK	HOOK SEAT LOCK	2	
	77305	77305-LDG7-E00	SCREW RIVENT	SCREW RIVENT	2	
	77400	77400-LBA2-E00	BOX ASSY SEAT	BOX ASSY SEAT	1	
	77500	77500-LBA2-E00	DAMPER GAS	DAMPER GAS	1	
	77501	77501-LBA2-E00	STAY GAS DAMPER	STAY GAS DAMPER	2	
	89010	89010-LBA2-E00	TOOL SET	TOOL SET	1	
	89020	89020-KKC4-900	BAND TOOL SET	BAND TOOL SET	1	
	90215	90215-KKC4-900	NUT CAP 6MM	NUT CAP 6MM	2	
	94050-06080	94050-06080	NUT FLANGE 6MM	NUT FLANGE 6MM (C)	15	
	94050-08080	94050-08080	NUT FLANGE 8MM	NUT FLANGE 8MM (C)	2	
	94101	94101-06800	WASHER PLAIN 6MM	WASHER PLAIN 6MM	1	

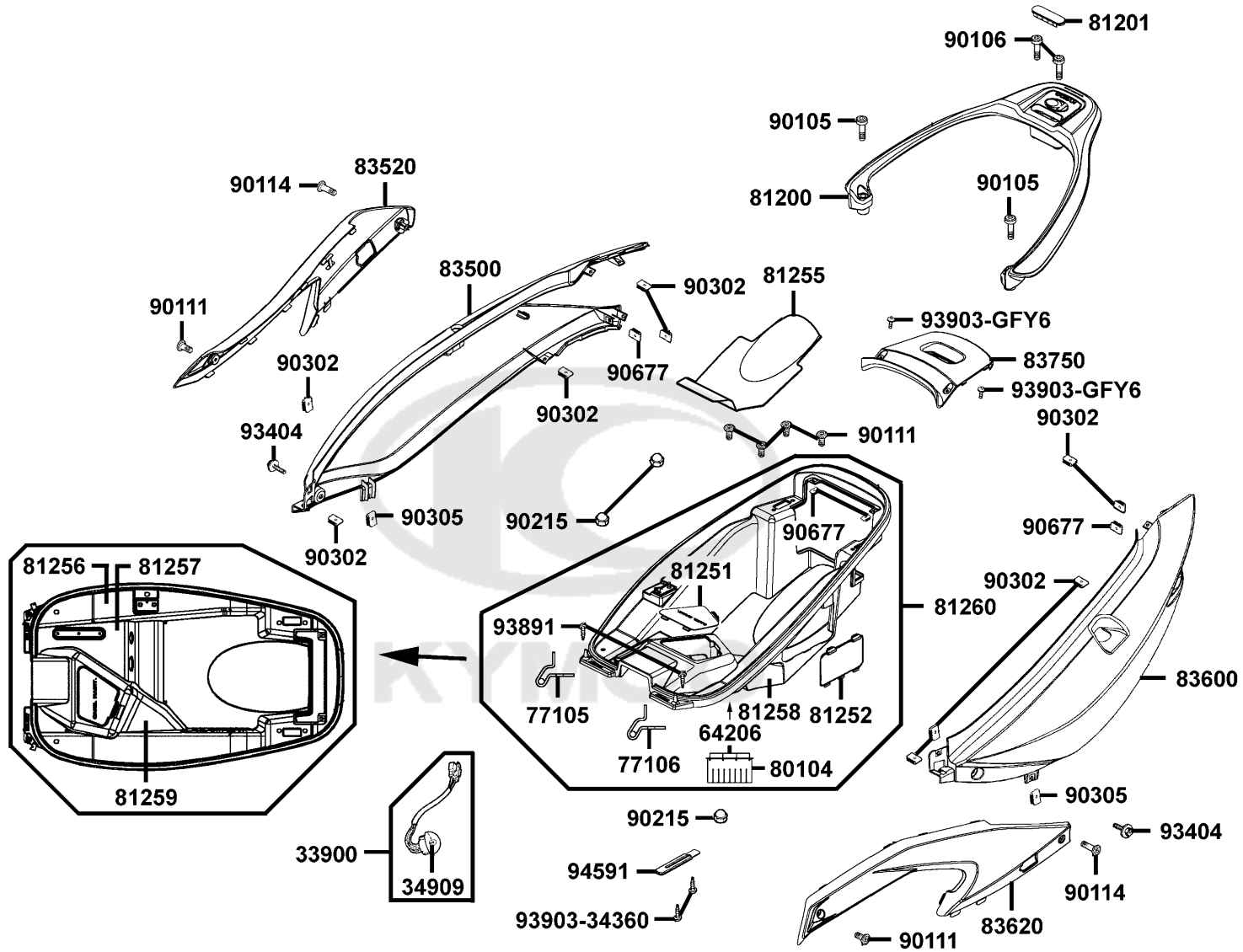
Sales mark	Ref no	Part no	Description	Reg description	Regd no	F10
17500		17500-LDF2-910	TANK COMP FUEL	TANK COMP FUEL	1	
17502		17502-LBA2-MY0	TUBE FUEL	TUBE FUEL	1	
17504		17504-LAB4-900	FUEL FILLER	FUEL FILLER	1	
17507		17507-LAB4-900	BAND 50 FUEL HOSE	BAND 50 FUEL HOSE	1	
17514		17514-LBA2-E00	STAY A FUEL FILLER	STAY A FUEL FILLER	1	
17515		17515-LBA2-E00	STAY B FUEL FILLER	STAY B FUEL FILLER	1	
17550		17550-LDF2-MY0	FUEL PUMP ASSY	FUEL PUMP ASSY	1	
17560		17560-LDG7-MY0	TUBE PUMP INJECTOR	TUBE PUMP INJECTOR	1	
17561		17561-LEK1-MY0	O-RING 66.6*3.5	O-RING 66.6*3.5	1	
17681		17681-KFA1-900	TUBE JOINT 3 WAY	TUBE JOINT 3 WAY	1	
17689		17689-KEBE-900	TUBE ASSY TANK TO 3 WJT	TUBE ASSY TANK TO 3 WJT	1	
19411		19411-KBCB-900	CLIP HOSE	CLIP HOSE	1	
19504		19504-LBA2-E00	CLAMP D16.8	CLAMP D16.8	1	
38773		38773-KBCB-900	JOINT 3 WAY	JOINT 3 WAY	1	
50611		50611-LBA2-E00	RNFCT R COMP FLOOR	RNFCT R COMP FLOOR	1	
50612		50612-LDG7-900	RNFCT L COMP FLOOR	RNFCT L COMP FLOOR	1	
90301		90301-6D34-671	NUT FLANGE 6MM	NUT FLANGE 6MM	4	
90660		90660-KNBN-921	CLAMP TUBE	CLAMP TUBE	1	
93500		93500-04008-0G	SCREW PAN 4*8	SCREW PAN 4*8	3	
93903		93903-35260	SCREW TAPPING 5*12	SCREW TAPPING 5*12	3	

Sales mark	Ref no	Part no	Description	Reg description	Regd no	F10
	94050	94050-06080	NUT FLANGE 6MM	NUT FLANGE 6MM (C)	4	
	94591	94591-KFBF-900	CLIP 2*70	CLIP 2*70	1	
	95002-02130	95002-02130	CLIP B12.5 TUBE	CLIP B12.5 TUBE	4	
	95701	95701-LDF2-800	BOLT FLANGE 5*6.5	BOLT FLANGE 5*6.5	6	



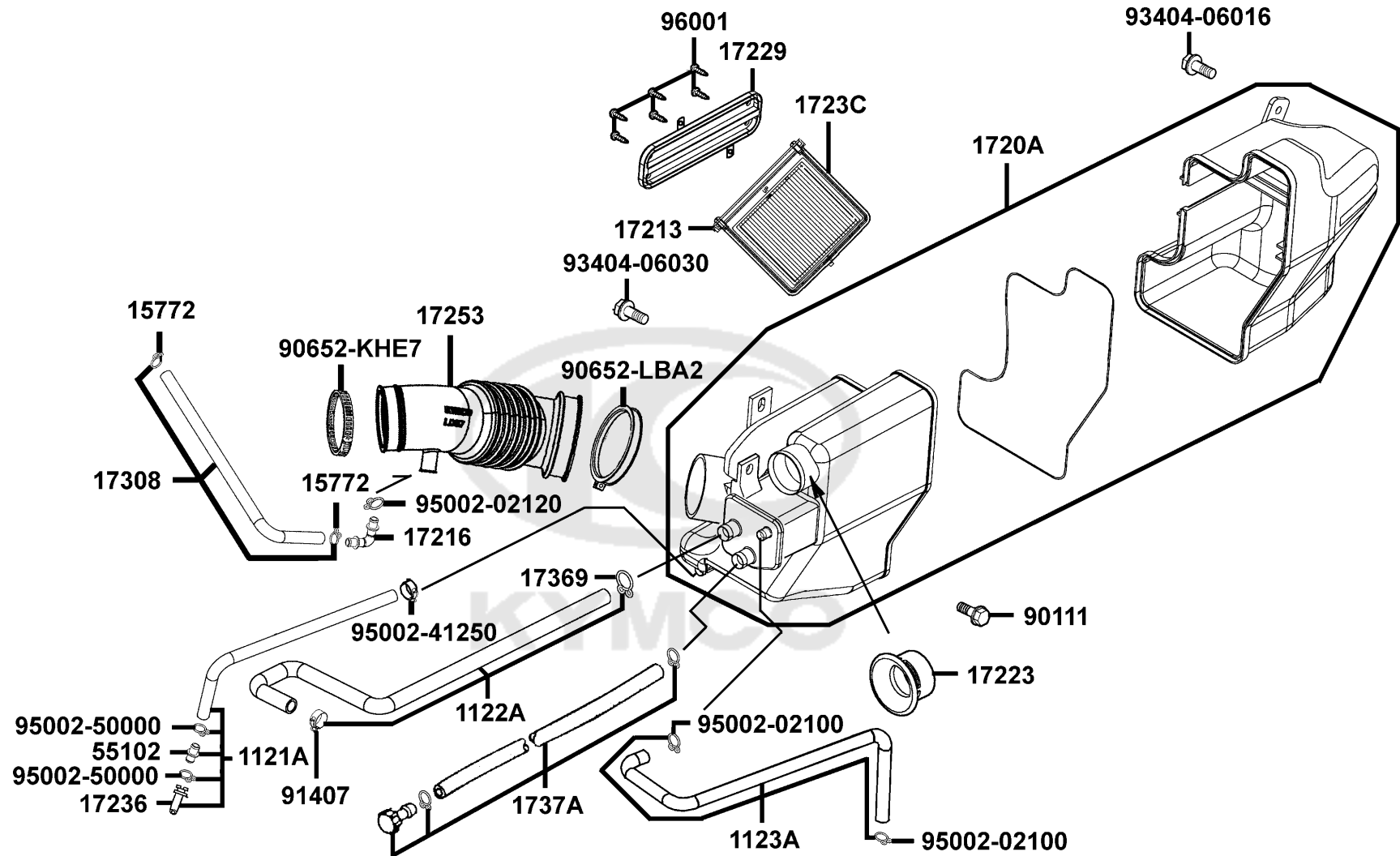


Sales mark	Ref no	Part no	Description	Reg description	Regd no	F11
	31500-LBA2-90A	31500-LBA2-90A	BATTERY YTX14-BS	BATTERY YTX14-BS	1	
	31500-LBA2-90B	31500-LBA2-90B	BATTERY GTX14-BS	BATTERY GTX14-BS	1	
	32411	32411-LBA2-E00	CABLE BATTERY	CABLE BATTERY	1	
	38500-KHD8-900	38500-KHD8-900	RELAY ASSY LIGHT	RELAY ASSY LIGHT	2	
	38500-KHD8-90A	38500-KHD8-90A	RELAY ASSY LIGHT	RELAY ASSY LIGHT	2	
	50326	50326-LBA2-E00	COVER BATTERY	COVER BATTERY	1	
	50328	50328-LBA2-E00	BAND BATTERY	BAND BATTERY	1	
	5032A	5032A-LBA2-E00	CASE ASSY BATTERY	CASE ASSY BATTERY	1	
	50330	50330-LBA2-E00	SPONGE BATTERY	SPONGE BATTERY	3	
	90112	90112-KNBN-901	BOLT FLANGE 6MM	BOLT FLANGE 6MM	2	
	93891	93891-05016-06	SCREW WASHER 5* 16	SCREW WASHER 5* 16	2	
	94050	94050-06080	NUT FLANGE 6MM	NUT FLANGE 6MM (C)	2	
	98200-31000	98200-31000	BLADE FUSE 10A	BLADE FUSE 10A	1	
	98200-31500	98200-31500	BLADE FUSE 15A	BLADE FUSE 15A	1	
	98200-33000	98200-33000	BLADE FUSE 30A	BLADE FUSE 30A	1	

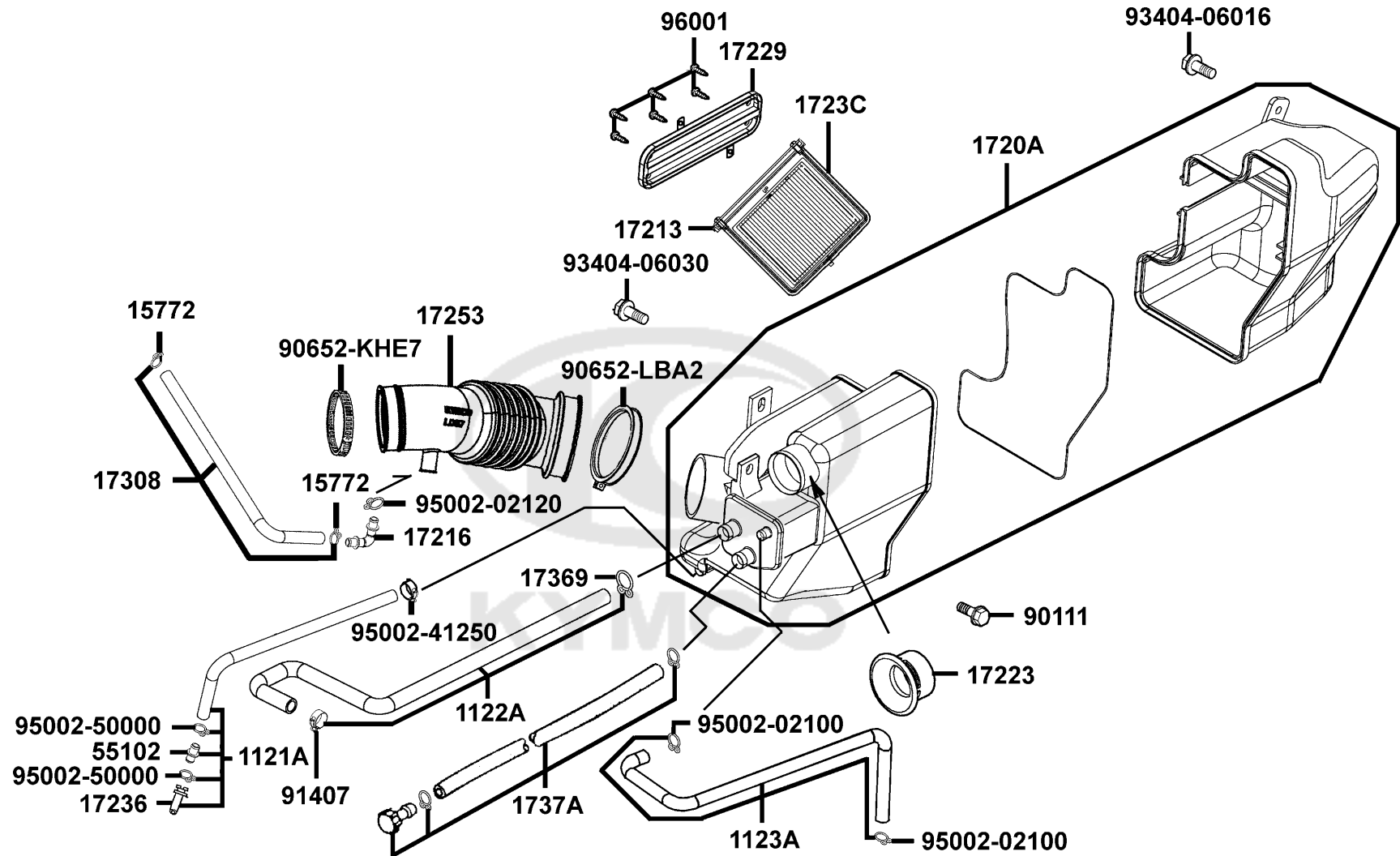


Sales mark	Ref no	Part no	Description	Reg description	Regd no	F12
	33900	33900-KFBF-900	LIGHT ASSY LUGGAGE BOX	LIGHT ASSY LUGGAGE BOX	1	
	34909	34909-KFBF-900	BULB WEDGE BASE	BULB WEDGE BASE	1	
	64206	64206-MLJ0-001	NUT SPEED 4MM	NUT SPEED 4MM	4	
	77105	77105-GFS6-001	HOOK R HELMET	HOOK R HELMET	1	
	77106	77106-GFS6-001	HOOK L HELMET	HOOK L HELMET	1	
	80104	80104-LBA2-E00	PLATE C SPLASH GUARD	PLATE C SPLASH GUARD	1	
**	81200	81200-LBA2-E00	CARRIER RR	CARRIER RR	1	
	81201	81201-LBA2-E00	PLUG BAR RR CARRIER	PLUG BAR RR CARRIER	1	
	81251	81251-LBA2-E00	COVER CARB MAINT	COVER CARB MAINT	1	
	81252	81252-LBA2-E00	COVER A/C MAINT	COVER A/C MAINT	1	
	81255	81255-LBA2-E00	BAG LUGGAGE	BAG LUGGAGE	1	
	81256	81256-LBA2-E00	HEAT GUARD A LUGGAGE BOX	HEAT GUARD A LUGGAGE BOX	1	
	81257	81257-LBA2-E00	HEAT GUARD B LUGGAGE BOX	HEAT GUARD B LUGGAGE BOX	1	
	81258	81258-LBA2-E00	HEAT GUARD C LUGGAGE BOX	HEAT GUARD C LUGGAGE BOX	1	
	81259	81259-LBA2-E00	HEAT GUARD D LUGGAGE BOX	HEAT GUARD D LUGGAGE BOX	1	
	81260	81260-LBA2-E00	BOX ASSY LUGGAGE	BOX ASSY LUGGAGE	1	
**	83500	83500-LBA2-E00	COVER R BODY	COVER R BODY	1	
**	83520	83520-LBA2-E00	COVER R SIDE	COVER R SIDE	1	
**	83600	83600-LBA2-E00	COVER L BODY	COVER L BODY	1	
**	83620	83620-LBA2-E00	COVER L SIDE	COVER L SIDE	1	

Sales mark	Ref no	Part no	Description	Reg description	Regd no	F12
**	83750	83750-LBA2-E00	COVER RR CENTER	COVER RR CENTER	1	
	90105	90105-KHB4-900	BOLT WASH M8*60	BOLT WASH M8*60	2	
	90106	90106-KFA6-900	BOLT WASH 8MM	BOLT WASH 8MM	2	
	90111	90111-KED9-900	SCREW PAN 6*14	SCREW PAN 6*14	6	
	90114	90114-LBA2-E00	SCREW PAN 6*30	SCREW PAN 6*30	2	
	90215	90215-KKC4-900	NUT CAP 6MM	NUT CAP 6MM	3	
	90302	90302-SDA4-004	NUT SPRING 4MM	NUT SPRING 4MM	10	
	90305	90305-GHK8-001	NUT CLIP 6MM	NUT CLIP 6MM	2	
	90677	90677-GAR1-004	NUT CLIP 5MM	NUT CLIP 5MM	4	
	93404	93404-06016-06	BOLT WASHER 6*16	BOLT WASHER 6*16	2	
	93891	93891-06010-07	SCREW WASHER 6*10	SCREW WASHER 6*10	2	
	93903-34360	93903-34360	SCREW TAPPING 4*12 (G)	SCREW TAPPING 4*12 (G)	2	
	93903-GFY6	93903-GFY6-900	SCREW TAPPING 4*14	SCREW TAPPING 4*14	2	
	94591	94591-27000	CLIP 2*70	CLIP 2*70	1	



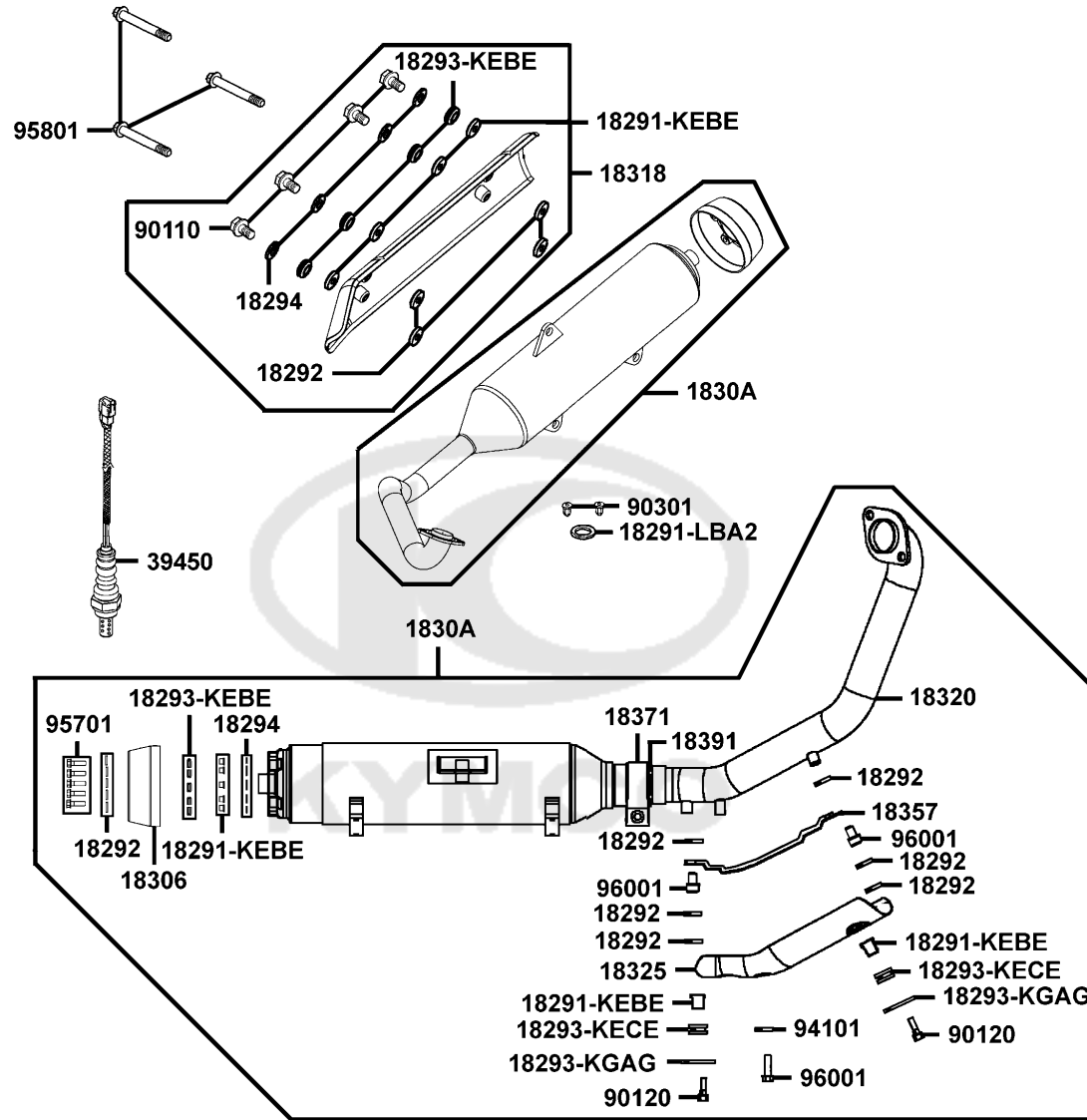
Sales mark	Ref no	Part no	Description	Reg description	Regd no	F13
1121A		1121A-LDG7-900	TUBE AIR/C	TUBE AIR/C	1	
1122A		1122A-LBA2-E00	TUBE ASSY	TUBE ASSY	1	
1123A		1123A-LBA2-E00	TUBE BREATHER ASSY	TUBE BREATHER ASSY	1	
15772		15772-5L00-013	CLIP B14.5 TUBE	CLIP B14.5 TUBE	2	
1720A		1720A-LDG7-900	CASE COMP AIR/C	CASE COMP AIR/C	1	
17213		17213-LBA2-E00	SEAL ELEMENT	SEAL ELEMENT	1	
17216		17216-KHC4-900	L JOINT BREATHER TUBE	L JOINT BREATHER TUBE	1	
17223		17223-LBA2-E00	DUCT ELEMENT	DUCT ELEMENT	1	
17229		17229-LBA2-E00	COVER B AIR/C	COVER B AIR/C	1	
17236		17236-CA01-900	DRAINER	DRAINER	1	
1723C		1723C-LBA2-E00	ELEMENT ASSY AIR/C	ELEMENT ASSY AIR/C	1	
17253		17253-LDG7-900	TUBE AIR/C CONN	TUBE AIR/C CONN	1	
17308		17308-LDG7-900	TUBE ASSY CANISTER-AIR/C	TUBE ASSY CANISTER-AIR/C	1	
17369		17369-KDB4-671	CLIP BREATHER TUBE	CLIP BREATHER TUBE	1	
1737A		1737A-KKC3-E00	V TUBE ASSY	V TUBE ASSY	1	
55102		55102-1F66-001	JOINT OIL TUBE	JOINT OIL TUBE	1	
90111		90111-1G87-001	BOLT FLANGE 6MM	BOLT FLANGE 6MM	1	
90652-KHE7		90652-KHE7-900	BAND CONNECTING TUBE	BAND CONNECTING TUBE	1	
90652-LBA2		90652-LBA2-E00	C-HOPE 40-59	C-HOPE 40-59	1	
91407		91407-SGA7-004	CLAMP 17 FUSE HOSE	CLAMP 17 FUSE HOSE	1	



Sales mark	Ref no	Part no	Description	Reg description	Regd no	F13
	93404-06016	93404-06016-06	BOLT WASHER 6*16	BOLT WASHER 6*16	1	
	93404-06030	93404-06030-06	BOLT WASHER 6*30	BOLT WASHER 6*30	1	
	95002-02100	95002-02100	CLIP B15 TUBE	CLIP B15 TUBE	2	
	95002-02120	95002-02120	CLIP B12 TUBE	CLIP B12 TUBE	1	
	95002-41250	95002-41250-00	CLIP D12.5 TUBE	CLIP D12.5 TUBE	1	
	95002-50000	95002-50000	CLIP C9 TUBE	CLIP C9 TUBE	2	
	96001	96001-GFY6-900	BOLT SPECIAL 5*10	BOLT SPECIAL 5*10	6	

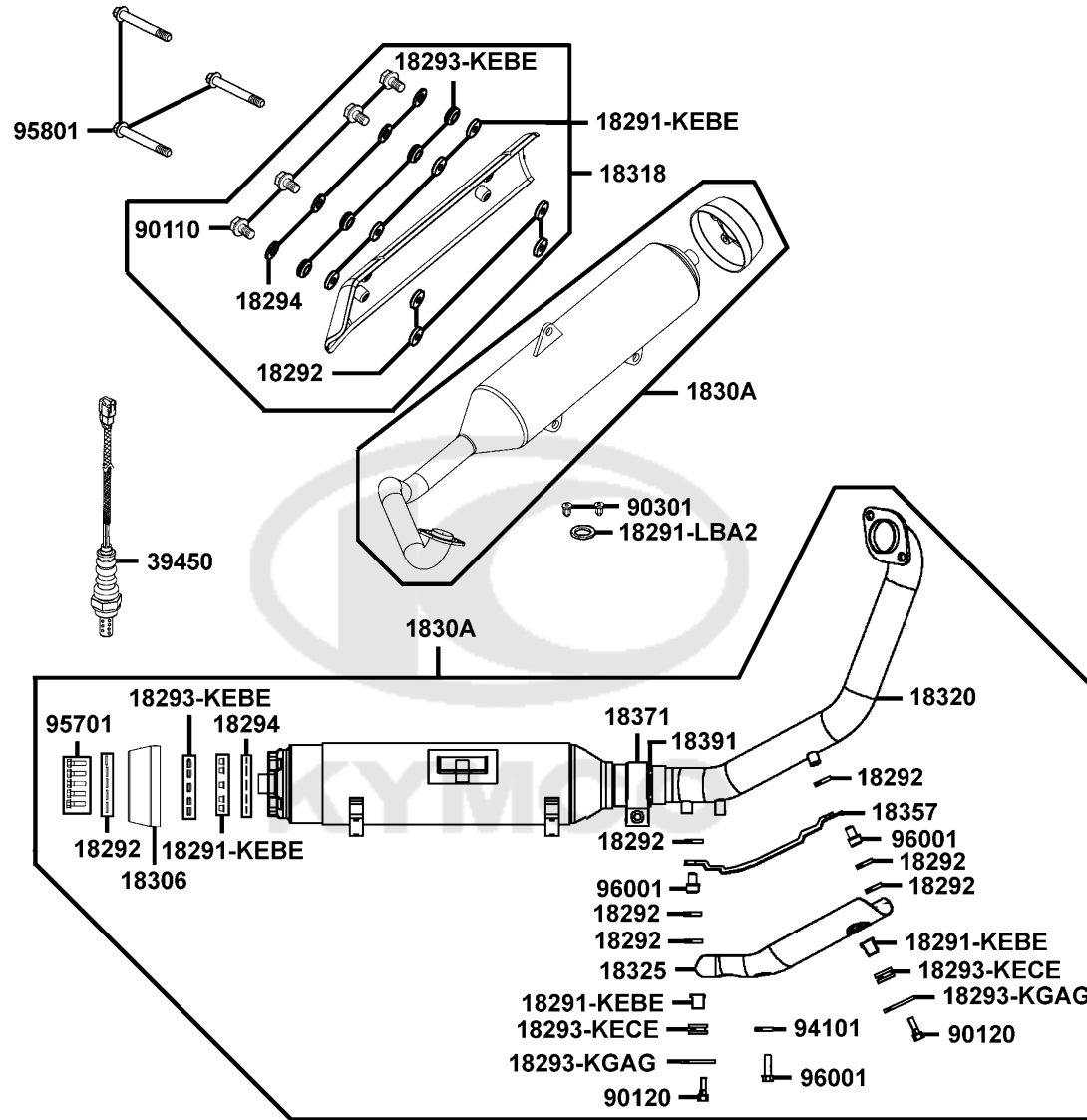


Exhaust Muffler



Sales mark	Ref no	Part no	Description	Reg description	Regd no	F14
	18291-KEBE	18291-KEBE-900	COLLAR	COLLAR	11	
	18291-LBA2	18291-LBA2-E00	GASKET EXH PIPE	GASKET EXH PIPE	1	
	18292	18292-KEBE-900	PACKING PROTECTOR	PACKING PROTECTOR	15	
	18293-KEBE	18293-KEBE-900	RUBBER PKG PROTR	RUBBER PKG PROTR	9	
	18293-KECE	18293-KECE-900	RUBBER A PROTECTOR	RUBBER A PROTECTOR	2	
	18293-KGAG	18293-KGAG-520	PACKING PROTECTOR	PACKING PROTECTOR	2	
	18294	18294-KEBE-900	PACKING PROTECTOR	PACKING PROTECTOR	9	
**	18306	18306-LBA2-E00	TAIL CAP MUFFLER	TAIL CAP MUFFLER	1	
**	1830A	1830A-LDG7-900	MUFFLER ASSY EXH	MUFFLER ASSY EXH	1	
**	18318	18318-LBA2-M30	PROTECTOR MUFFLER	PROTECTOR MUFFLER	1	
	18320	18320-LDG7-900	PIPE EXHAUST	PIPE EXHAUST	1	
**	18325	18325-LBA2-E00	PROTECTOR EXH PIPE	PROTECTOR EXH PIPE	1	
	18357	18357-LBA2-E00	PROTECTOR INNER EXH PIPE	PROTECTOR INNER EXH PIPE	1	
	18371	18371-LBA2-E00	BAND MUFFLER	BAND MUFFLER	1	
	18391	18391-LBA2-E00	GASKET	GASKET	1	
	39450	39450-LDF2-800	O2 SENSOR	O2 SENSOR	1	
	90110	90110-KEBE-900	SCREW SPECIAL 6*22	SCREW SPECIAL 6*22	4	
	90120	90120-KGAG-520	SOCKET BOT SPECIAL 6*22	SOCKET BOT SPECIAL 6*22	2	
	90301	90301-GFY6-901	NUT (HEX) CAP 8MM	NUT (HEX) CAP 8MM	2	
	94101	94101-06700	WASHER PLAIN 6MM	WASHER PLAIN 6MM	1	

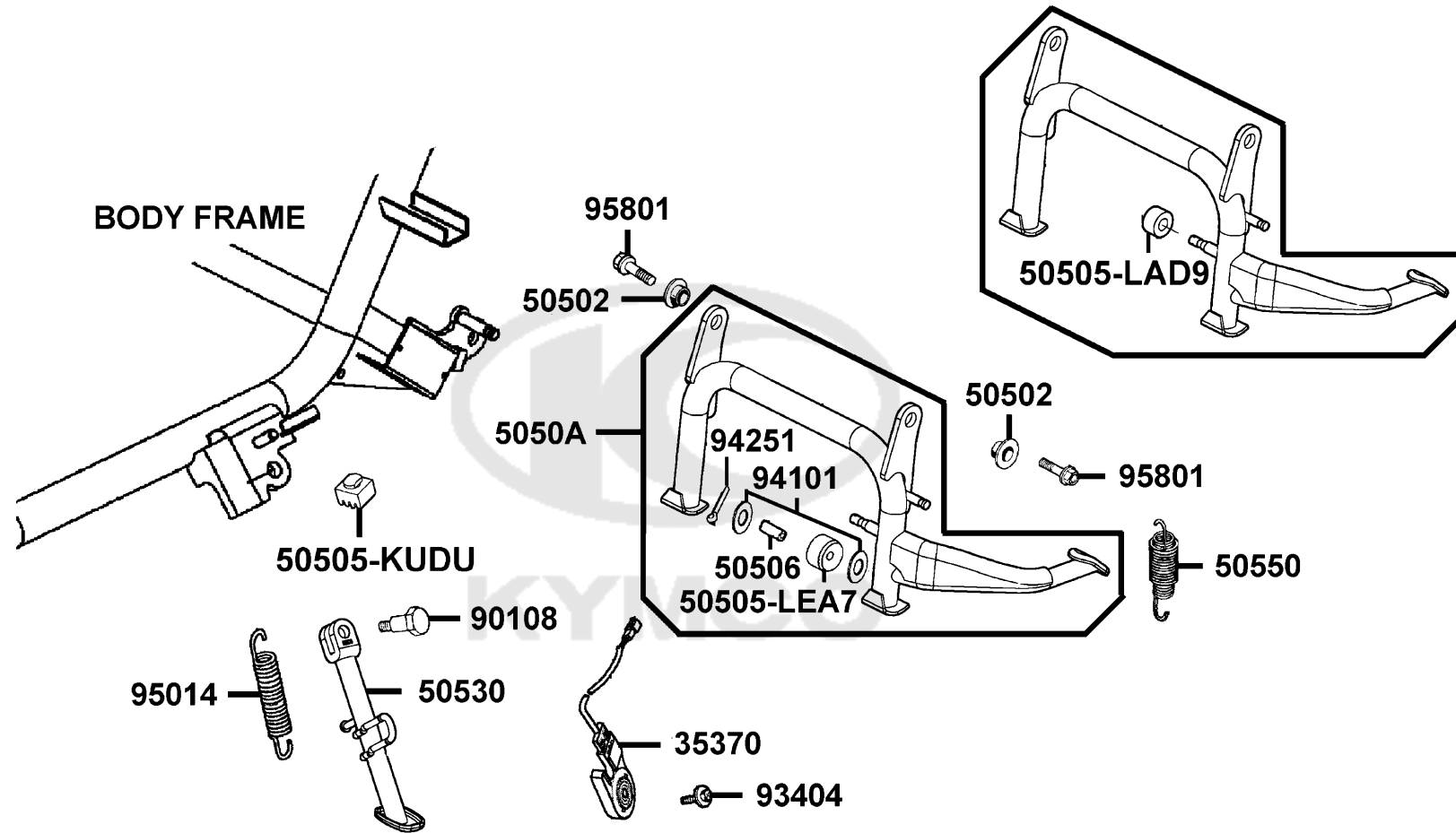
Exhaust Muffler



Sales mark	Ref no	Part no	Description	Reg description	Regd no	F14
------------	--------	---------	-------------	-----------------	---------	------------

95701		95701-06025-06	BOLT FLANGE 6*25	BOLT FLANGE 6*25	5	
95801		95801-10050-06	BOLT FLANGE 10*50	BOLT FLANGE 10*50	3	
96001		96001-06014-07	BOLT FLANGE SH 6*10	BOLT FLANGE SH 6*10	3	

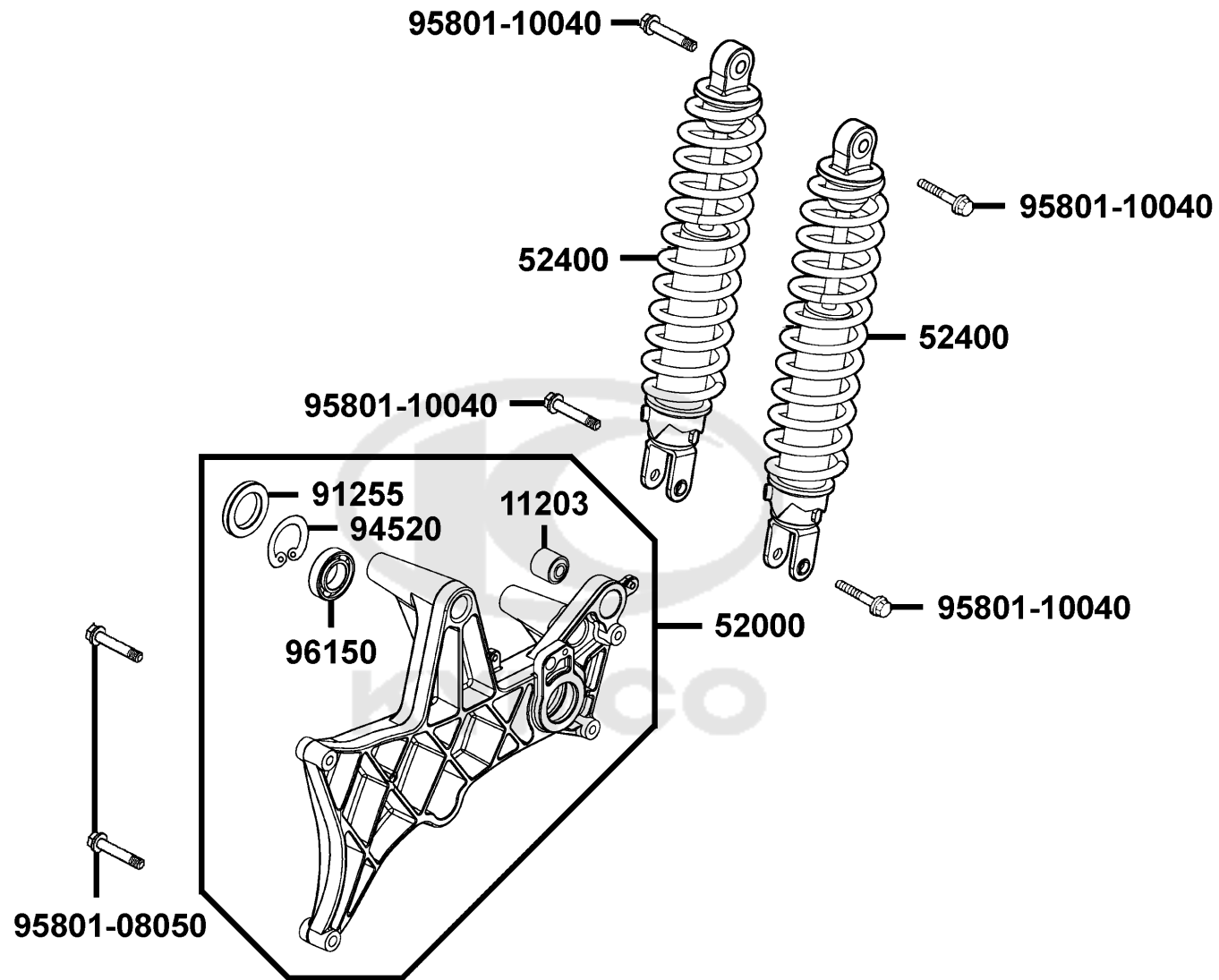




Sales mark	Ref no	Part no	Description	Reg description	Regd no	F15
	35370	35370-KEC8-E00	SW UNIT SIDE STAND	SW UNIT SIDE STAND	1	
	50502	50502-GFY6-901	COLLAR MAIN STAND	COLLAR MAIN STAND	2	
	50505-KUDU	50505-KUDU-900	STOPPER RUBBER STAND	STOPPER RUBBER STAND	1	
#	50505-LAD9	50505-LAD9-900	STOPPER RUBBER	STOPPER RUBBER	1	
#	50505-LEA7	50505-LEA7-E00	STOPPER RUBBER	STOPPER RUBBER	1	
	50506	50506-KHE7-E00	COLLAR STOPPER RUBBER	COLLAR STOPPER RUBBER	1	
	5050A	5050A-LDG7-900	STAND ASSY MAIN	STAND ASSY MAIN	1	
	50530	50530-LDB2-E00	BAR SIDE STAND	BAR SIDE STAND	1	
	50550	50550-KKC2-E00	SPG ASSY MAIN STAND	SPG ASSY MAIN STAND	1	
	90108	90108-KKC4-900	SCREW SIDE STAND PIVOT	SCREW SIDE STAND PIVOT	1	
	93404	93404-06016-06	BOLT WASHER 6*16	BOLT WASHER 6*16	1	
	94101	94101-08700	WASHER PLAIN 8MM	WASHER PLAIN 8MM (K)	2	
	94251	94251-08400	PIN LOCK 8MM	PIN LOCK 8MM	1	
	95014	95014-72204	SPG B1 SIDE STAND	SPG B1 SIDE STAND	1	
	95801	95801-10025-08	BOLT FLANGE 10*25	BOLT FLANGE 10*25 (C)	2	

F16

Rear Cushion

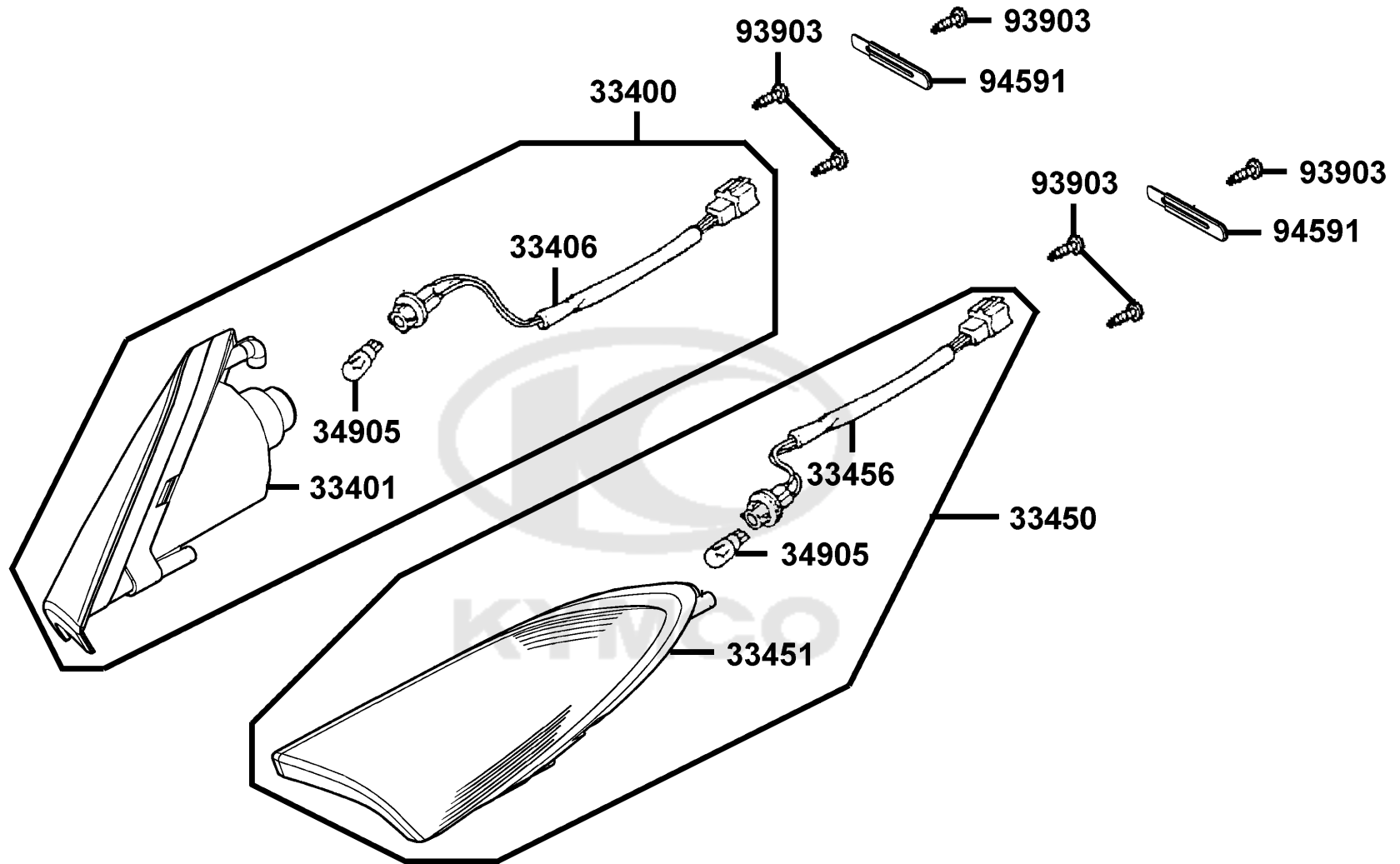


Sales mark	Ref no	Part no	Description	Reg description	Regd no	F16
	11203	11203-LBA2-E00	RUB BUSH L CASE	RUB BUSH L CASE	1	
**	52000	52000-LFH1-E00	FORK ASSY REAR	FORK ASSY REAR	1	
**	52400	52400-LBA2-E00	CUSHION ASSY R RR	CUSHION ASSY R RR	2	
	91255	91255-KHE7-900	OIL SEAL 34*52*7	OIL SEAL 34*52*7	1	
	94520	94520-47000	CIR CLIP IN 47	CIR CLIP IN 47	1	
	95801-08050	95801-08050-06	BOLT FLANGE 8*50	BOLT FLANGE 8*50	2	
	95801-10040	95801-10040-02	BOLT FLANGE 10*40	BOLT FLANGE 10*40	4	
	96150	96150-60050-00	BEARING BALL RADIAL 6005	BEARING BALL RADIAL 6005	1	



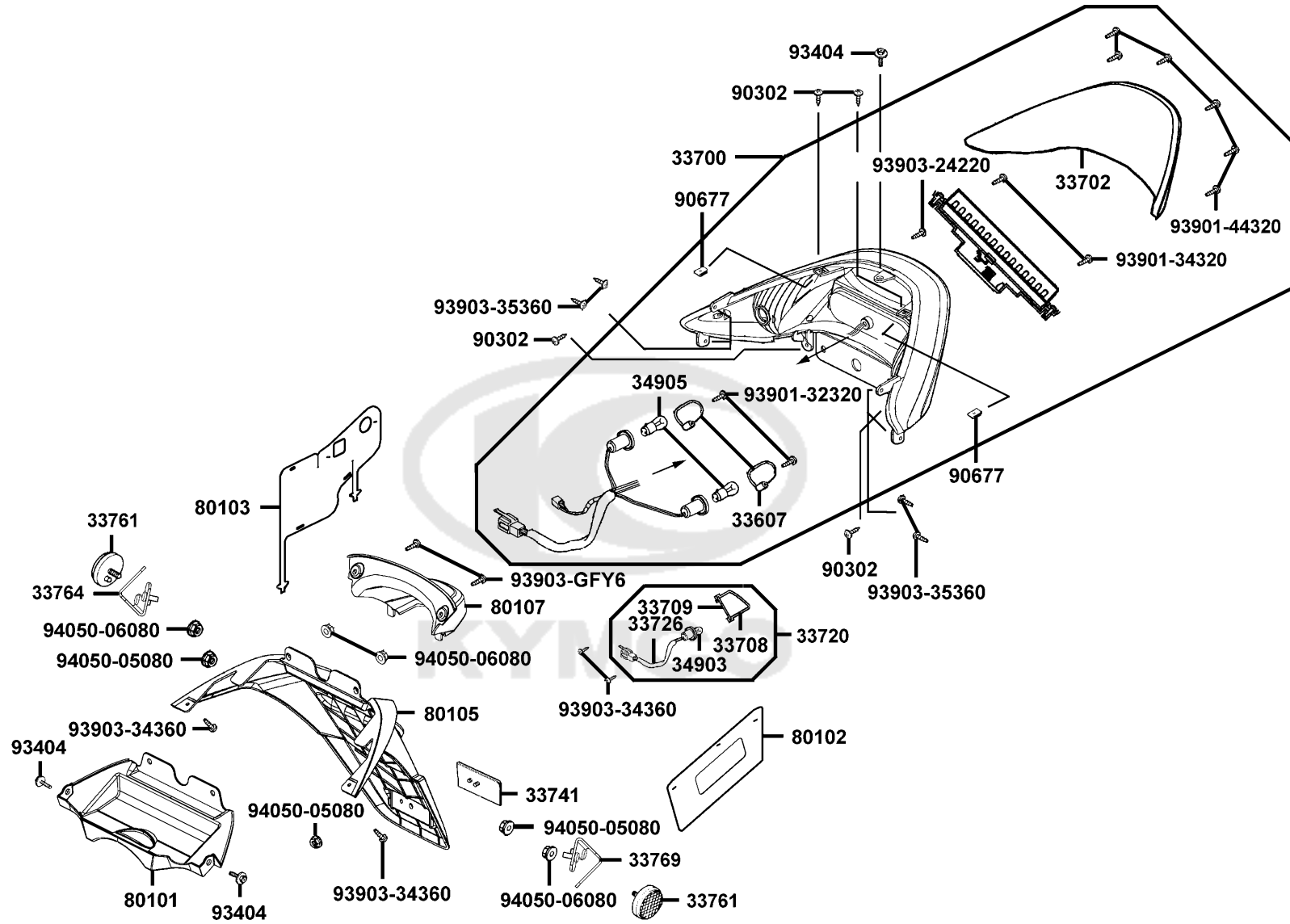
F17

Front Winker



Sales mark	Ref no	Part no	Description	Reg description	Regd no	F17
	33400	33400-LBA2-M30	WINKER ASSY R FR	WINKER ASSY R FR	1	
	33401	33401-LBA2-M30	UNIT WINKER R FR	UNIT WINKER R FR	1	
	33406	33406-LBA2-M30	SOCKET WINKER R	SOCKET WINKER R	1	
	33450	33450-LBA2-M30	WINKER ASSY L FR	WINKER ASSY L FR	1	
	33451	33451-LBA2-M30	UNIT WINKER L FR	UNIT WINKER L FR	1	
	33456	33456-LBA2-M30	SOCKET WINKER L	SOCKET WINKER L	1	
	34905	34905-LBA2-M30	BULB WINKER	BULB WINKER	2	
	93903	93903-34360	SCREW TAPPING 4*12 (G)	SCREW TAPPING 4*12 (G)	6	
	94591	94591-27000	CLIP 2*70	CLIP 2*70	2	





Sales mark	Ref no	Part no	Description	Reg description	Regd no	F18
	33607	33607-KKD7-E00	INNER LENS WINKER	INNER LENS WINKER	2	
	33700	33700-LBA2-E00	LIGHT ASSY RR COMB	LIGHT ASSY RR COMB	1	
	33702	33702-LBA2-E00	LENS TAIL LIGHT	LENS TAIL LIGHT	1	
	33708	33708-KHE7-E00	LENS LICENSE	LENS LICENSE	1	
	33709	33709-KHE7-E00	BASE LICENSE	BASE LICENSE	1	
	33720	33720-LBB5-E00	LIGHT ASSY LICENSE	LIGHT ASSY LICENSE	1	
	33726	33726-LBB5-E00	SCOKET COMP	SCOKET COMP	1	
	33741	33741-KHC5-M00	REFLEX REFLECTOR	REFLEX REFLECTOR	1	
	33761	33761-KHC5-M00	REFLEX REFLECTOR	REFLEX REFLECTOR	2	
	33764	33764-LBA2-M30	R STAY REFLEX REFLECTOR	R STAY REFLEX REFLECTOR	1	
	33769	33769-LBA2-M30	L STAY REFLEX REFLECTOR	L STAY REFLEX REFLECTOR	1	
	34903	34903-KPCP-900	BULB POSITION	BULB POSITION	1	
	34905	34905-KPCP-900	BULB WINKER	BULB WINKER	2	
	80101	80101-LBA2-E00	FENDER RR INNER	FENDER RR INNER	1	
	80102	80102-LBA2-E00	PLATE A SPLASH GUARD	PLATE A SPLASH GUARD	1	
	80103	80103-LBA2-E00	PLATE B SPLASH GUARD	PLATE B SPLASH GUARD	1	
**	80105	80105-LBA2-M30	FENDER RR	FENDER RR	1	
	80107	80107-LBA2-E00	COVER LICENSE LIGHT	COVER LICENSE LIGHT	1	
	90302	90302-GFY6-940	BOLT-WASH 5*16	BOLT-WASH 5*16	4	
	90677	90677-GAR1-004	NUT CLIP 5MM	NUT CLIP 5MM	2	

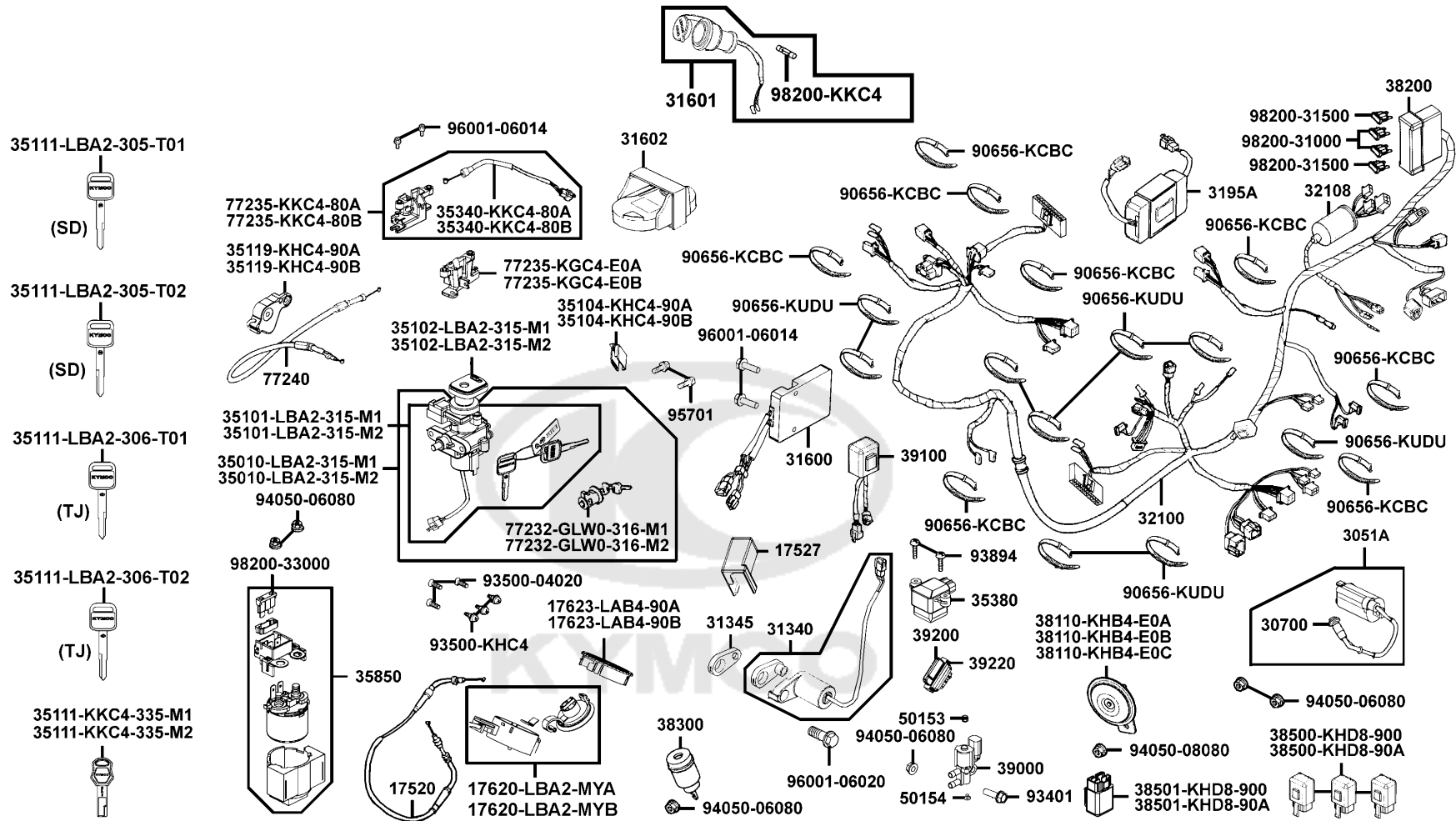
Sales mark	Ref no	Part no	Description	Reg description	Regd no	F18
93404		93404-06016-06	BOLT WASHER 6*16	BOLT WASHER 6*16	3	
93901-32320		93901-32320	SCREW TAPPING 3*12	SCREW TAPPING 3*12	2	
93901-34320		93901-34320	SCREW TAPPING 4*12	SCREW TAPPING	2	
93901-44320		93901-44320	SCREW TAPPING 4*12	SCREW TAPPING 4*12	6	
93903-24220		93903-24220	SCREW TAPPING 4*10	SCREW TAPPING 4*10	1	
93903-34360		93903-34360	SCREW TAPPING 4*12 (G)	SCREW TAPPING 4*12 (G)	4	
93903-35360		93903-35360	SCREW TAPPING 5*16	SCREW TAPPING 5*16	4	
93903-GFY6		93903-GFY6-900	SCREW TAPPING 4*14	SCREW TAPPING 4*14	2	
94050-05080		94050-05080	NUT FLANGE 5MM	NUT FLANGE 5MM	3	
94050-06080		94050-06080	NUT FLANGE 6MM	NUT FLANGE 6MM (C)	4	



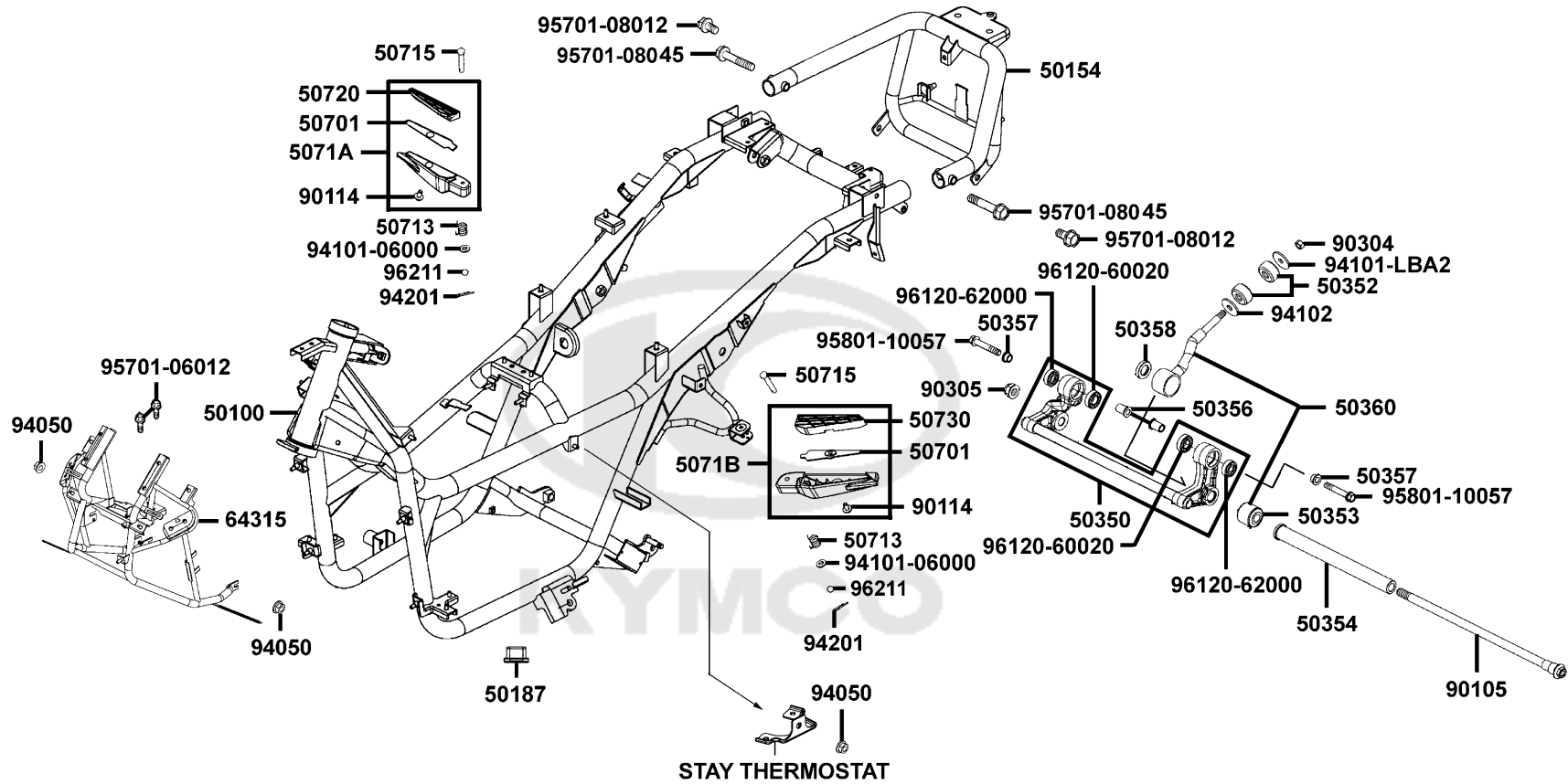
Sales mark	Ref no	Part no	Description	Reg description	Regd no	F19
	17520	17520-LBA2-E00	CABLE COMP FUEL CAP	CABLE COMP FUEL CAP	1	
	17527	17527-LBA2-900	SLIDE COVER FUEL CAP	SLIDE COVER FUEL CAP	1	
	17620-LBA2-MYA	17620-LBA2-MYA	CAP COMP FUEL FILLER	CAP COMP FUEL FILLER	1	
	17620-LBA2-MYB	17620-LBA2-MYB	CAP COMP FUEL FILLER	CAP COMP FUEL FILLER	1	
	17623-LAB4-90A	17623-LAB4-90A	COLLAR FUEL CAP	COLLAR FUEL CAP	1	
	17623-LAB4-90B	17623-LAB4-90B	COLLAR FUEL FILLER	COLLAR FUEL FILLER	1	
#	3051A	3051A-LDG7-800	COIL ASSY IGN	COIL ASSY IGN	1	
	30700	30700-KKC3-900	CAP ASSY NOISE SUPPRESOR	CAP ASSY NOISE SUPPRESOR	1	
	31340	31340-LBA2-E0A	SENSOR FR WHEEL SPEED	SENSOR FR WHEEL SPEED	1	
	31345	31345-LBA2-E00	WASHER WHEEL SPEED SENSOR	WASHER WHEEL SPEED SENSOR	1	
	31600	31600-LDG7-900	REG REC COMP	REG REC COMP	1	
	31601	31601-LBA2-E00	SOCKET COMP DC 12V	SOCKET COMP DC 12V	1	
	31602	31602-KKC4-900	SOCKET COMP CELL-PHONE	SOCKET COMP CELL-PHONE	1	
	3195A	3195A-LBA2-E00	HAZARD CONTROL ASSY	HAZARD CONTROL ASSY	1	
	32100	32100-LDG7-E01	HARNESS WIRE	HARNESS WIRE	1	
	32108	32108-GAR1-711	COVER HARNESS WIRE	COVER HARNESS WIRE	1	
	35010-LBA2-315-M1	35010-LBA2-315-M1	KEY SET	KEY SET	1	
	35010-LBA2-315-M2	35010-LBA2-315-M2	KEY SET	KEY SET	1	
	35101-LBA2-315-M1	35101-LBA2-315-M1	SW SET COMB & LOCK	SW SET COMB & LOCK	1	
	35101-LBA2-315-M2	35101-LBA2-315-M2	SW SET COMB & LOCK	SW SET COMB & LOCK	1	

Sales mark	Ref no	Part no	Description	Reg description	Regd no	F19
	35102-LBA2-315-M1	35102-LBA2-315-M1	SHUTTER MAGNETIC	SHUTTER MAGNETIC	1	
	35102-LBA2-315-M2	35102-LBA2-315-M2	SHUTTER MAGNETIC	SHUTTER MAGNETIC	1	
	35104-KHC4-90A	35104-KHC4-90A	PLATE COVER FUEL CAP CABLE	PLATE COVER FUEL CAP CABLE	1	
	35104-KHC4-90B	35104-KHC4-90B	PLATE COVER FUEL CAP CABLE	PLATE COVER FUEL CAP CABLE	1	
	35111-KKC4-335-M1	35111-KKC4-335-M1	KEY COMP/SHUTTER MAGNETIC	KEY COMP/SHUTTER MAGNETIC LOCK(SD)	2	
	35111-KKC4-335-M2	35111-KKC4-335-M2	KEY COMP/SHUTTER MAGNETIC	KEY COMP/SHUTTER MAGNETIC LOCK(TJ)	2	
	35111-LBA2-305-T01	35111-LBA2-305-T01	KEY COMP(R TANGENT PLANE/SD)	KEY COMP / MAIN SW	1	
	35111-LBA2-305-T02	35111-LBA2-305-T02	KEY COMP (L TANGENT PLANE/SD)	KEY COMP / MAIN SW	1	
	35111-LBA2-306-T01	35111-LBA2-306-T01	KEY COMP (R TANGENT PLANE/TJ)	KEY COMP / MAIN SW	1	
	35111-LBA2-306-T02	35111-LBA2-306-T02	KEY COMP (L TANGENT PLANE/TJ)	KEY COMP / MAIN SW	1	
	35119-KHC4-90A	35119-KHC4-90A	COVER SEAT CABLE	COVER SEAT CABLE	1	
	35119-KHC4-90B	35119-KHC4-90B	COVER SEAT CABLE	COVER SEAT CABLE	1	
	35340-KKC4-80A	35340-KKC4-80A	STOP SWITCH	STOP SWITCH	1	
	35340-KKC4-80B	35340-KKC4-80B	STOP SWITCH	STOP SWITCH	1	
	35380	35380-LDF2-900	SENSOR ANGLE DETECT	SENSOR ANGLE DETECT	1	
	35850	35850-LBA2-E00	SET START MAG	SET START MAG	1	
	38110-KHB4-E0A	38110-KHB4-E0A	HORN COMP	HORN COMP	1	
	38110-KHB4-E0B	38110-KHB4-E0B	HORN COMP	HORN COMP	1	
	38110-KHB4-E0C	38110-KHB4-E0C	HORN COMP	HORN COMP	1	
	38200	38200-KHE7-900	BOX COMP FUSE	BOX COMP FUSE	1	

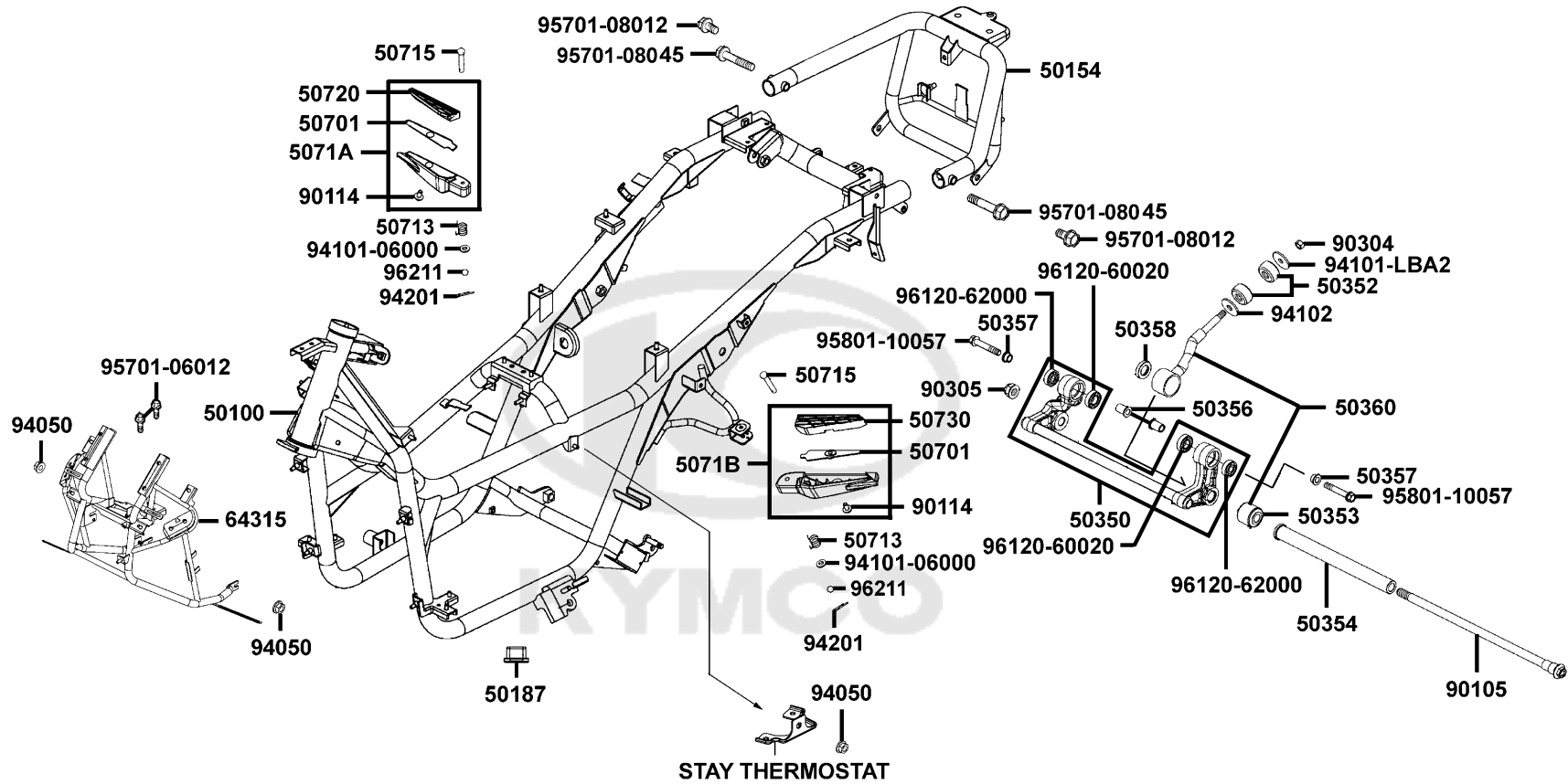
Sales mark	Ref no	Part no	Description	Reg description	Regd no	F19
	38300	38300-LCD3-M30	RELAY COMP WINKER	RELAY COMP WINKER	1	
	38500-KHD8-900	38500-KHD8-900	RELAY ASSY LIGHT	RELAY ASSY LIGHT	3	
	38500-KHD8-90A	38500-KHD8-90A	RELAY ASSY LIGHT	RELAY ASSY LIGHT	3	
	38501-KHD8-900	38501-KHD8-900	RELAY ASSY LIGHT	RELAY ASSY LIGHT	1	
	38501-KHD8-90A	38501-KHD8-90A	RELAY ASSY LIGHT	RELAY ASSY LIGHT	1	
	39000	39000-LDF2-800	VALVE UNIT SOLENOID	VALVE UNIT SOLENOID	1	
	39100	39100-KHD8-900	EMI FILTER MOTOR	EMI FILTER MOTOR	1	
	39200	39200-LDG7-800	ECU	ECU	1	
	39220	39220-LDF2-900	CUSHION CASE ECU	CUSHION CASE ECU	1	
	50153	50153-LDF2-900	RUBBER SOLENOID VALVE	RUBBER SOLENOID VALVE	1	
	50154	50154-LDF2-900	COLLAR	COLLAR	1	
	77232-GLW0-316-M1	77232-GLW0-316-M1	LOCK SET FUEL LID	LOCK SET FUEL LID	1	
	77232-GLW0-316-M2	77232-GLW0-316-M2	LOCK SET FUEL LID	LOCK SET FUEL LID	1	
	77235-KGC4-E0A	77235-KGC4-E0A	SEAT CATCH	SEAT CATCH	1	
	77235-KGC4-E0B	77235-KGC4-E0B	SEAT CATCH	SEAT CATCH	1	
	77235-KKC4-80A	77235-KKC4-80A	SEAT CATCH	SEAT CATCH	1	
	77235-KKC4-80B	77235-KKC4-80B	SEAT CATCH	SEAT CATCH	1	
	77240	77240-LBA2-E00	CABLE SEAT LOCK	CABLE SEAT LOCK	1	
	90656-KCBC	90656-KCBC-900	BAND OIL HOSE 8*146	BAND OIL HOSE 8*146	8	
**	90656-KUDU	90656-KUDU-900	BAND HARNESS WIRE	BAND HARNESS WIRE	9	



Sales mark	Ref no	Part no	Description	Reg description	Regd no	F19
93401		93401-05020-08	BOLT WASHER 5*20	BOLT WASHER 5*20	1	
93500-04020		93500-04020-0G	SCREW PAN 4*20	SCREW PAN 4*20	3	
93500-KHC4		93500-KHC4-90A	SCREW PAN 5*10	SCREW PAN 5*10	3	
93894		93894-04022-08	SCREW PLAIN WASHER 4*22	SCREW PLAIN WASHER 4*22	2	
94050-06080		94050-06080	NUT FLANGE 6MM	NUT FLANGE 6MM (C)	6	
94050-08080		94050-08080	NUT FLANGE 8MM	NUT FLANGE 8MM (C)	1	
95701		95701-KHC5-E00	BOLT TORQUE 8*25	BOLT TORQUE 8*25	2	
96001-06014		96001-06014-08	BOLT FLANGE 6*14	BOLT FLANGE 6*14	4	
96001-06020		96001-06020-06	BOLT FLANGE SH 6*20	BOLT FLANGE SH 6*20	1	
98200-31000		98200-31000	BLADE FUSE 10A	BLADE FUSE 10A	2	
98200-31500		98200-31500	BLADE FUSE 15A	BLADE FUSE 15A	2	
98200-33000		98200-33000	BLADE FUSE 30A	BLADE FUSE 30A	1	
98200-KKC4		98200-KKC4-900	FUSE 0.8A	FUSE 0.8A	1	

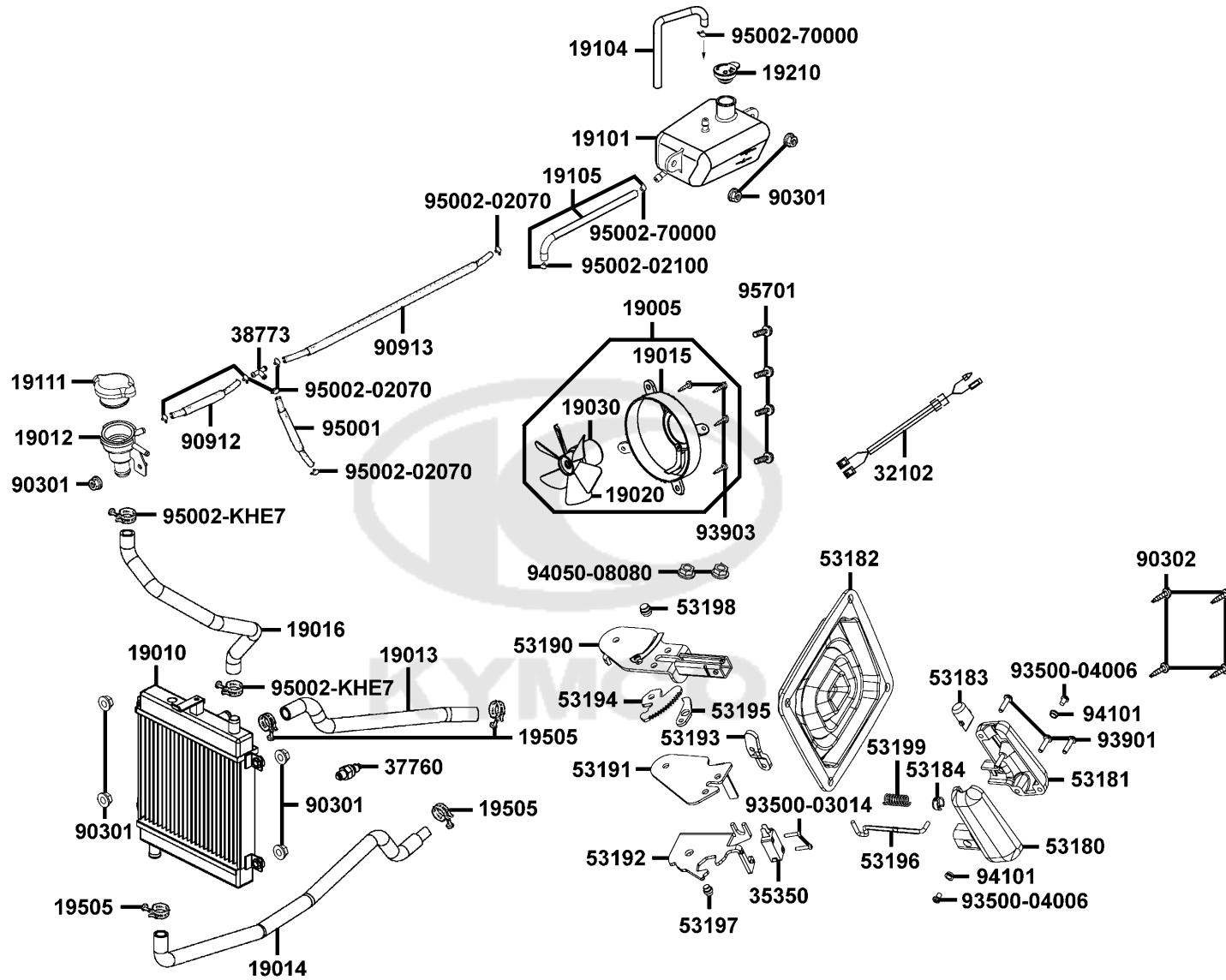


Sales mark	Ref no	Part no	Description	Reg description	Regd no	F20
50100		50100-LBA2-900	BODY COMP FRAME	BODY COMP FRAME	1	
50154		50154-LBA2-E00	STAY RR CARRIER	STAY RR CARRIER	1	
50187		50187-LBA2-E00	CUSHION SUB PIPE	CUSHION SUB PIPE	1	
50350		50350-LBA2-E00	ENG HANGER COMP	ENG HANGER COMP	1	
50352		50352-LDG7-900	RUBBER STOPPER	RUBBER STOPPER	2	
50353		50353-LBA2-E00	RUBBER BUSH ENG HANGER	RUBBER BUSH ENG HANGER	1	
50354		50354-LBA2-E00	DIST COLLAR	DIST COLLAR	1	
50356		50356-LBA2-E00	BUSH FRAME	BUSH FRAME	2	
50357		50357-LBA2-E00	BUSH A FRAME	BUSH A FRAME	2	
50358		50358-LBA2-E00	CAP ENG HANGER	CAP ENG HANGER	1	
50360		50360-LBA2-E00	TIE ROD ASSY ENG HANGER	TIE ROD ASSY ENG HANGER	1	
50701		50701-LBA2-E00	STAY RR STEP	STAY RR STEP	1	
50713		50713-KEB7-900	SPRING	SPRING	2	
50715		50715-KEB7-900	PIN RR STEP	PIN RR STEP	2	
5071A		5071A-LBA2-E00	BAR R STEP ASSY	BAR R STEP ASSY	1	
5071B		5071B-LBA2-E00	BAR L STEP ASSY	BAR L STEP ASSY	1	
50720		50720-LBA2-E00	RUBBER R STEP	RUBBER R STEP	1	
50730		50730-LBA2-E00	RUBBER L STEP	RUBBER L STEP	1	
64315		64315-LDG7-800	BRKT FR COVER	BRKT FR COVER	1	
90105		90105-LBA2-E00	BOLT ENG HANGER	BOLT ENG HANGER	1	



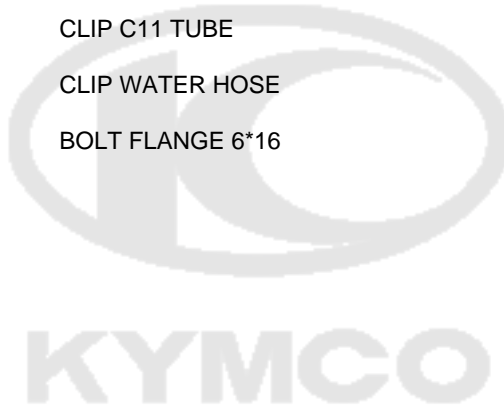
Sales mark	Ref no	Part no	Description	Reg description	Regd no	F20
90114		90114-KED9-900	SCREW PAN 6*12	SCREW PAN 6*12	2	
90304		90304-LBD4-900	NUT U FLANGE 10MM	NUT U FLANGE 10MM	1	
90305		90305-GHE8-004	NUT U 14MM	NUT U 14MM	1	
94050		94050-06080	NUT FLANGE 6MM	NUT FLANGE 6MM (C)	3	
94101-06000		94101-06000	WASHER PLAIN 6MM	WASHER PLAIN 6MM	2	
94101-LBA2		94101-LBA2-E00	WASHER PLATE 10.5*38*3.0	WASHER PLATE 10.5*38*3.0	1	
94102		94102-LBA2-E00	WASHER PLAIN 38*12.5*3	WASHER PLAIN 38*12.5*3	1	
94201		94201-16150	PIN SPLIT 1.6*15	PIN SPLIT 1.6*15	2	
95701-06012		95701-06012-08	BOLT FLANGE 6*12	BOLT FLANGE 6*12	2	
95701-08012		95701-08012-08	BOLT FLANGE 8*12	BOLT FLANGE 8*12	2	
95701-08045		95701-08045-08	BOLT FLANGE 8*45	BOLT FLANGE 8*45	2	
95801-10057		95801-10057-06	BOLT FLANGE 10*57	BOLT FLANGE 10*57	2	
96120-60020		96120-60020-00	BEARING RADIAL 6002	BEARING RADIAL 6002	2	
96120-62000		96120-62000-00	BEARING BALL RADIAL 6202Z	BEARING BALL RADIAL 6202Z	2	
96211		96211-08000	BALL STEEL 8MM	BALL STEEL 8	2	

Sales mark	Ref no	Part no	Description	Reg description	Regd no	F21
19005		19005-LBA2-E00	SHROUD ASSY	SHROUD ASSY	1	
19010		19010-LBA2-E00	RADIATOR COMP	RADIATOR COMP	1	
19012		19012-KHD8-900	UNIT RADIATOR	UNIT RADIATOR	1	
19013		19013-LBA2-E00	HOSE WATER INLET	HOSE WATER INLET	1	
19014		19014-LBA2-E00	HOSE WATER OUTLET	HOSE WATER OUTLET	1	
19015		19015-LBA2-E00	SHROUD COMP	SHROUD COMP	1	
19016		19016-LBA2-E00	HOSE EATER-UNIT CAP	HOSE EATER-UNIT CAP	1	
19020		19020-LBA2-E00	FAN COOLING	FAN COOLING	1	
19030		19030-LBA2-E00	MOTOR ASSY FAN	MOTOR ASSY FAN	1	
19101		19101-LBA2-E00	TANK RESERVE	TANK RESERVE	1	
19104		19104-LBA2-E00	HOSE ASSY DRAIN	HOSE ASSY DRAIN	1	
19105		19105-LBA2-E00	HOSE ASSY RESERVE-COOLER	HOSE ASSY RESERVE-COOLER	1	
19111		19111-GBE2-004	CAP COMP	CAP COMP	1	
19210		19210-KKC4-900	CAP RESERVE TANK	CAP RESERVE TANK	1	
19505		19505-LBA2-E00	CLAMP WATER HOSE	CLAMP WATER HOSE	4	
32102		32102-LBA2-E00	SUB CORD THERMO	SUB CORD THERMO	1	
35350		35350-LBA2-E00	SWITCH HAND BRK	SWITCH HAND BRK	1	
37760		37760-KHD8-900	SW ASSY THERMO	SW ASSY THERMO	1	
38773		38773-PKB9-001	JOINT 3 WAY 3.5	JOINT 3 WAY 3.5	1	
53180		53180-LBA2-E00	GRIP UPPER HAND BRK	GRIP UPPER HAND BRK	1	

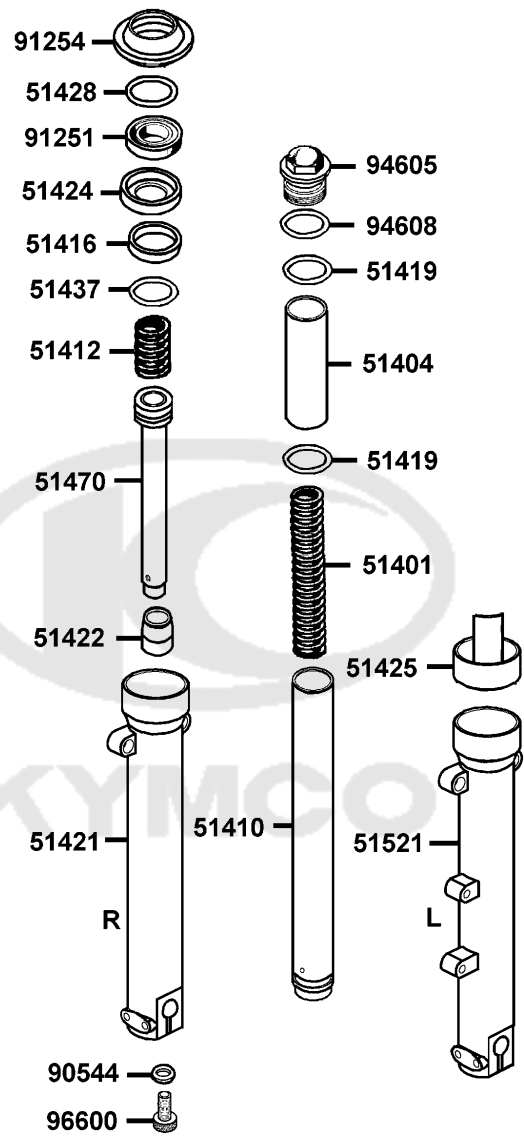


Sales mark	Ref no	Part no	Description	Reg description	Regd no	F21
	53181	53181-LBA2-E00	GRIP UNDER HAND BRK	GRIP UNDER HAND BRK	1	
	53182	53182-LBA2-E00	DUST SEAL HAND BRK	DUST SEAL HAND BRK	1	
	53183	53183-LBA2-E00	BUTTON HAND BRK	BUTTON HAND BRK	1	
	53184	53184-LBA2-E00	GUIDE SPRING	GUIDE SPRING	1	
	53190	53190-LBA2-E00	ARM COMP HAND BRK	ARM COMP HAND BRK	1	
	53191	53191-LBA2-E00	ARM PLATE	ARM PLATE	1	
	53192	53192-LBA2-E00	BRK HAND BRK	BRK HAND BRK	1	
	53193	53193-LBA2-E00	LINKER HAND BRK	LINKER HAND BRK	1	
	53194	53194-LBA2-E00	RATCH HAND BRK	RATCH HAND BRK	1	
	53195	53195-LBA2-E00	DRIVEN GEAR	DRIVEN GEAR	1	
	53196	53196-LBA2-E00	DRIVEN LINKER	DRIVEN LINKER	1	
	53197	53197-LBA2-E00	PIVOT HAND BRK	PIVOT HAND BRK	1	
	53198	53198-LBA2-E00	PIVOT DRIVEN GEAR	PIVOT DRIVEN GEAR	1	
	53199	53199-LBA2-E00	SPRING RETURN	SPRING RETURN	1	
	90301	90301-6D34-671	NUT FLANGE 6MM	NUT FLANGE 6MM	7	
	90302	90302-GBR2-001	BOLT WASH 5*16	BOLT WASH 5*16	4	
	90912	90912-LBA2-E00	TUBE FUEL 3.5	TUBE FUEL 3.5	1	
	90913	90913-LBA2-E00	TUBE FUEL 3.5*1800	TUBE FUEL 3.5*1800	1	
	93500-03014	93500-03014-1A	SCREW PAN 3*14	SCREW PAN 3*14	2	
	93500-04006	93500-04006-1G	SCREW PAN 4*6	SCREW PAN 4*6	2	

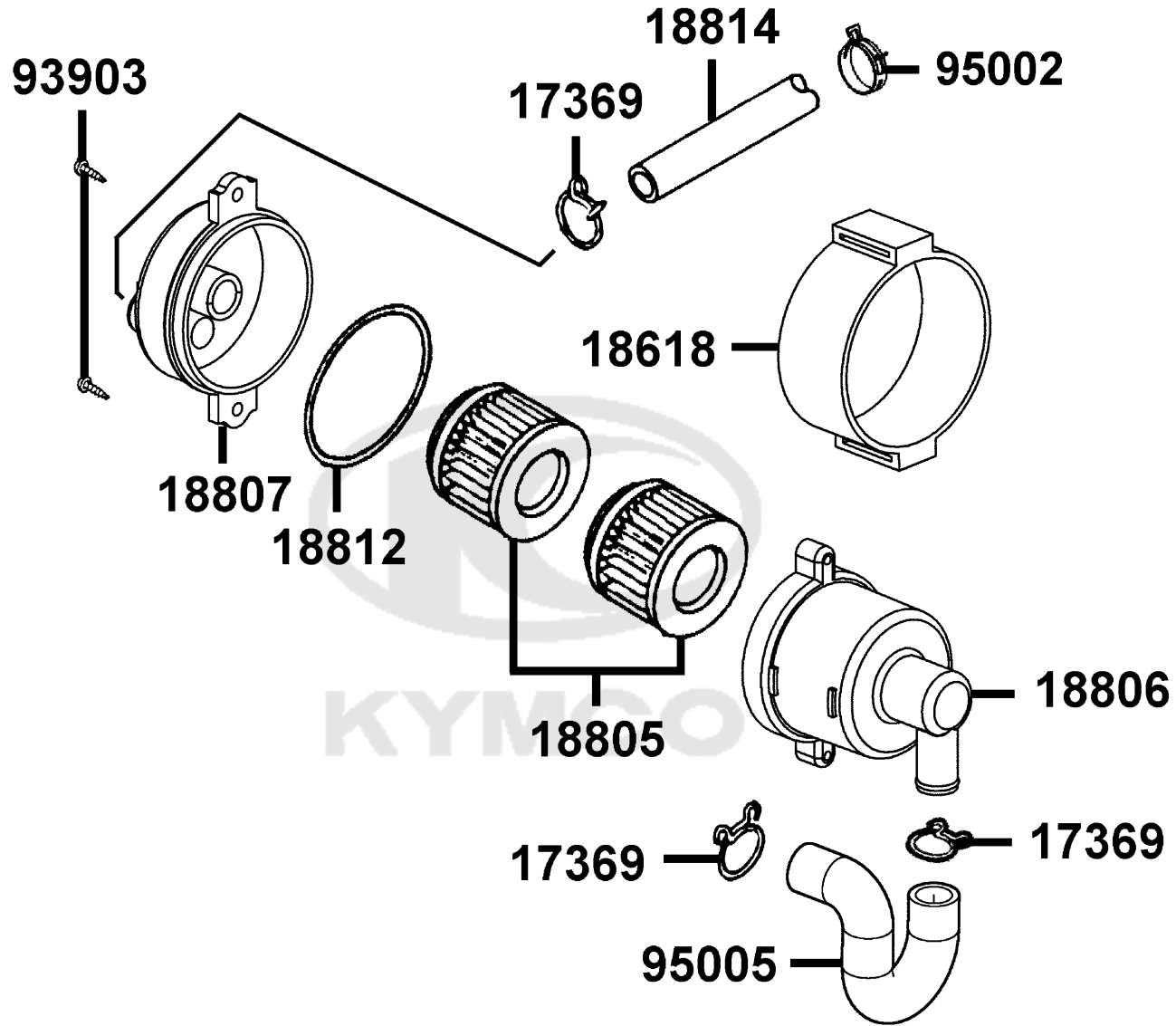
Sales mark	Ref no	Part no	Description	Reg description	Regd no	F21
93901		93901-24560	SCREW TAPING 4*20	SCREW TAPING 4*20	3	
93903		93903-GFY6-900	SCREW TAPPING 4*14	SCREW TAPPING 4*14	4	
94050-08080		94050-08080	NUT FLANGE 8MM	NUT FLANGE 8MM (C)	2	
94101		94101-04800	WASHER PLAIN 4.5*10*0.8	WASHER PLAIN 4.5*10*0.8	2	
95001		95001-35550-40	TUBE FUEL 3.5*550	TUBE FUEL 3.5*550	1	
95002-02070		95002-02070	CLIP B7 TUBE	CLIP B7 TUBE	6	
95002-02100		95002-02100	CLIP B15 TUBE	CLIP B15 TUBE	1	
95002-70000		95002-70000	CLIP C11 TUBE	CLIP C11 TUBE	2	
95002-KHE7		95002-KHE7-900	CLIP WATER HOSE	CLIP WATER HOSE	2	
95701		95701-06016-02	BOLT FLANGE 6*16	BOLT FLANGE 6*16	4	



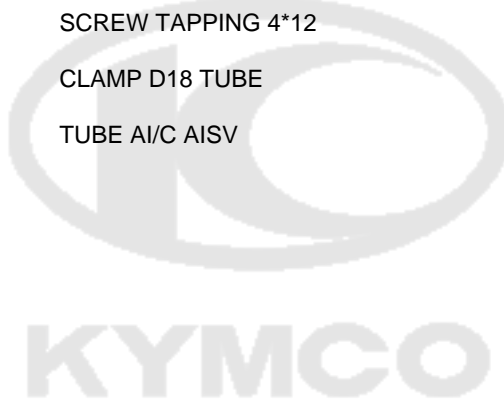
Separated Parts Of Fr Fork

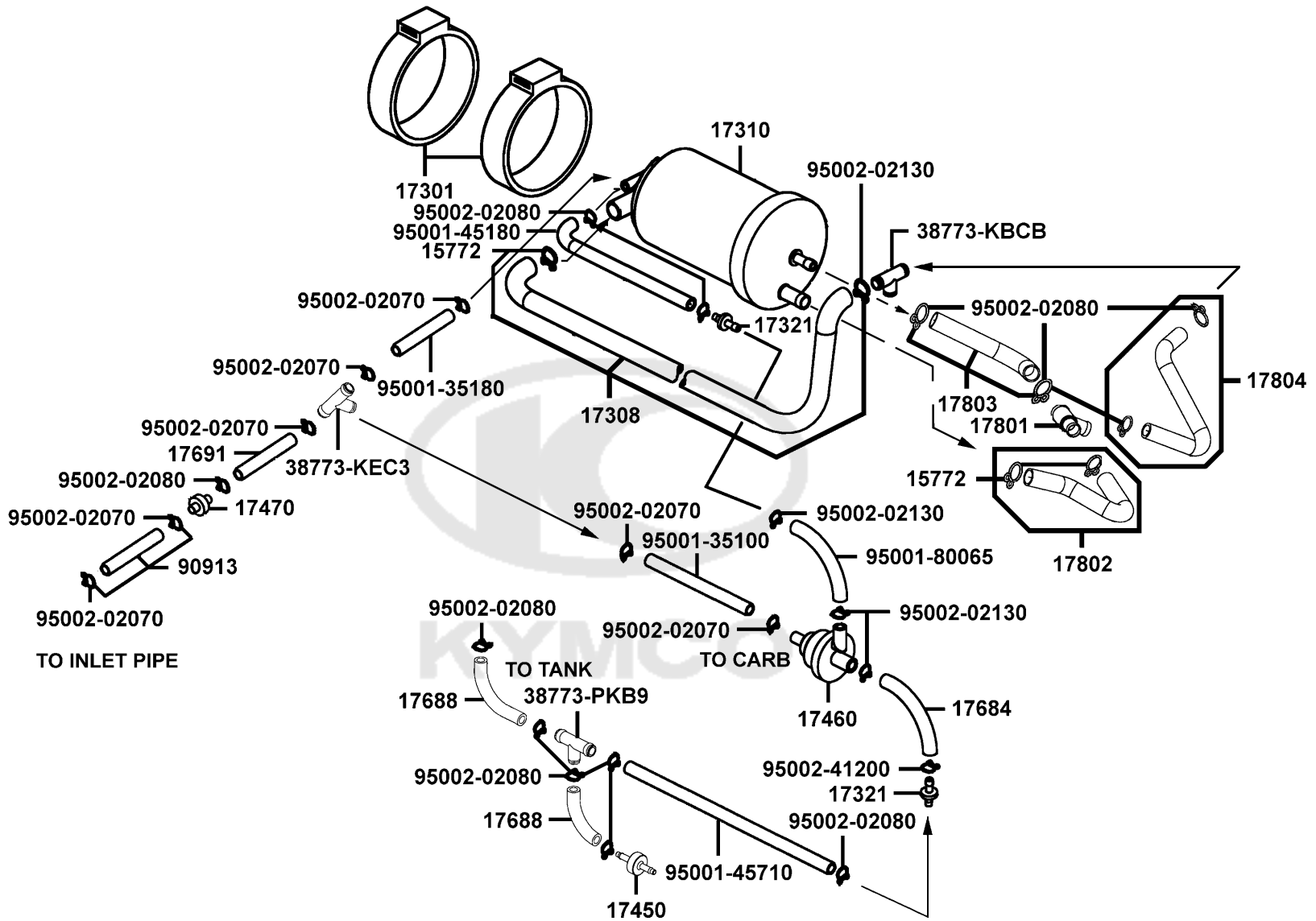


Sales mark	Ref no	Part no	Description	Reg description	Regd no	F22
	51401	51401-LBA2-E00	SPRING	SPRING	2	
	51404	51404-LBA2-E00	SPRING COLLAR	SPRING COLLAR	2	
	51410	51410-LBA2-E00	FORK PIPE COMP	FORK PIPE COMP	2	
	51412	51412-LBA2-E00	REBOUND SPRING	REBOUND SPRING	2	
	51416	51416-LBA2-E00	GUIDE BUSH	GUIDE BUSH	2	
	51419	51419-LBA2-E00	PLAIN WASHER	PLAIN WASHER	4	
**	51421	51421-LBA2-E00	BOTTOM CASE R	BOTTOM CASE R	1	
	51422	51422-LBA2-E00	OIL LOCK PIECE	OIL LOCK PIECE	2	
	51424	51424-LBA2-E00	SPACER	SPACER	2	
	51425	51425-LBA2-E00	FORK FENDER	FORK FENDER	2	
	51428	51428-LBA2-E00	OIL SEAL STOPPER RING	OIL SEAL STOPPER RING	2	
	51437	51437-LBA2-E00	PISTON RING	PISTON RING	2	
	51470	51470-LBA2-E00	PIPE SEAT COMP	PIPE SEAT COMP	2	
**	51521	51521-LBA2-E00	BOTTOM CASE L	BOTTOM CASE L	1	
	90544	90544-KEC8-900	PACKING	PACKING	2	
	91251	91251-LBA2-E00	OIL SEAL	OIL SEAL	2	
	91254	91254-LBA2-E00	DUST SEAL	DUST SEAL	2	
	94605	94605-LBA2-E00	FORK BOLT	FORK BOLT	2	
	94608	94608-LBA2-E00	O-RING	O-RING	2	
	96600	96600-LBA2-E00	BOCKET BOLT	BOCKET BOLT	2	

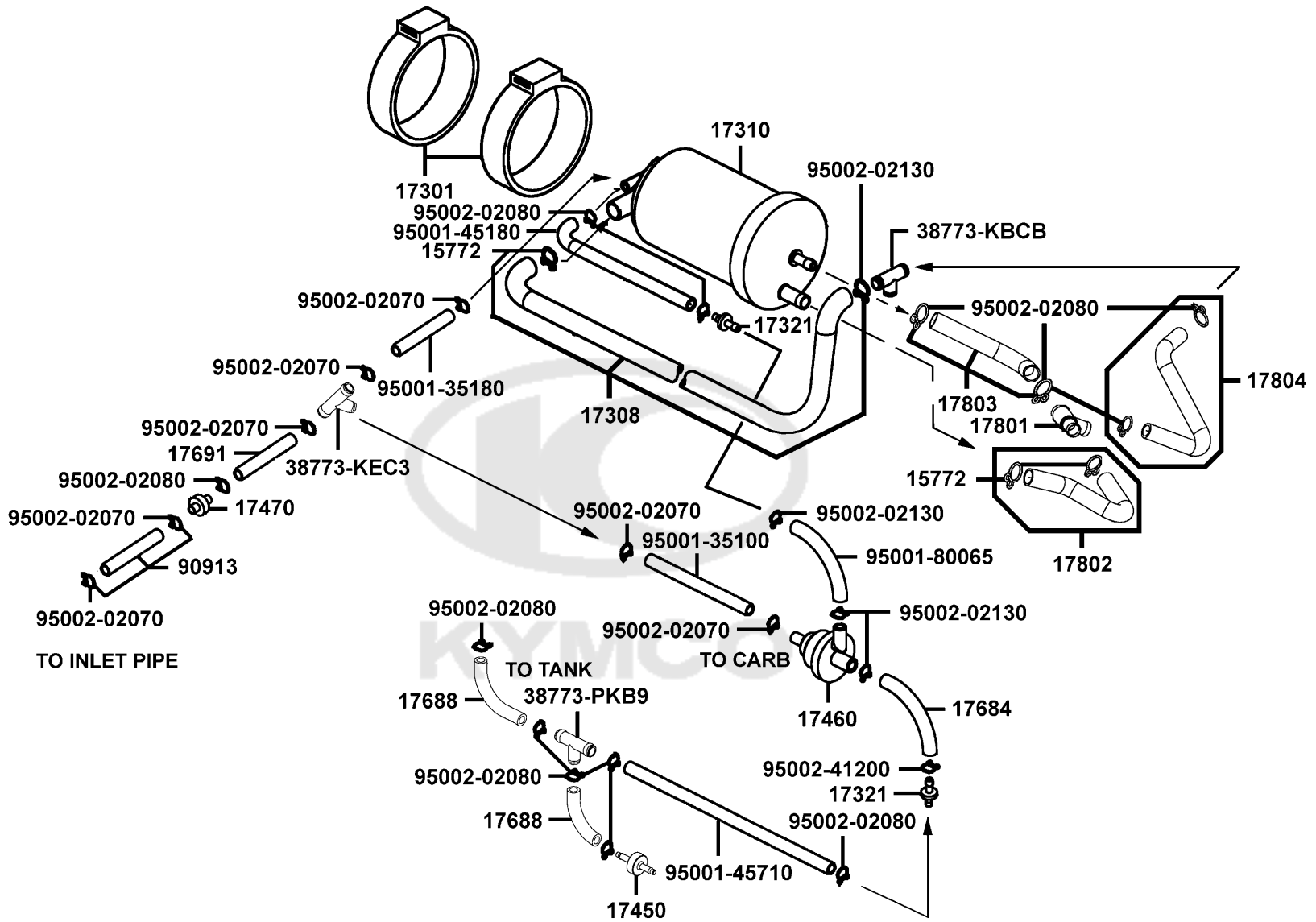


Sales mark	Ref no	Part no	Description	Reg description	Regd no	F23
17369		17369-KDB4-671	CLIP BREATHER TUBE	CLIP BREATHER TUBE	3	
18618		18618-KBE2-900	RUBBER AI CLEANER MOUNT	RUBBER AI CLEANER MOUNT	1	
18805		18805-KHB4-910	ELEMENT AI CLEANER	ELEMENT AI CLEANER	2	
18806		18806-KBE2-900	CASE AI CLEANER	CASE AI CLEANER	1	
18807		18807-KBE2-900	COVER AI CLEANER	COVER AI CLEANER	1	
18812		18812-KBE2-900	SEAL AI CLEANER COVER	SEAL AI CLEANER COVER	1	
18814		18814-LDG7-900	DUCT AI CLEANER	DUCT AI CLEANER	1	
93903		93903-24320	SCREW TAPPING 4*12	SCREW TAPPING 4*12	2	
95002		95002-KKD6-E05	CLAMP D18 TUBE	CLAMP D18 TUBE	1	
95005		95005-LDG7-E00	TUBE AI/C AISV	TUBE AI/C AISV	1	





Sales mark	Ref no	Part no	Description	Reg description	Regd no	F24
15772		15772-5L00-013	CLIP B14.5 TUBE	CLIP B14.5 TUBE	3	
17301		17301-GFY6-940	RUBBER CANISTER MOUNT	RUBBER CANISTER MOUNT	2	
17308		17308-KKC4-M30	TUBE ASSY CANISTER-T JOINT	TUBE ASSY CANISTER-T JOINT	1	
17310		17310-KED9-90A	CANISTER COMP	CANISTER COMP	1	
17321		17321-KED9-M30	JOINT 2 WAY	JOINT 2 WAY	2	
17450		17450-KED9-M30	VALVE COMP ONE WAY	VALVE COMP ONE WAY	1	
17460		17460-KED9-M30	VALVE COMP VAPOR CONTROL	VALVE COMP VAPOR CONTROL	1	
17470		17470-KED9-M30	JOINT COMP FLOW CONTROL	JOINT COMP FLOW CONTROL	1	
17684		17684-KQAQ-900	TUBE CANISTER AIR	TUBE CANISTER AIR	1	
17688		17688-KHE7-M30	TUBE ASSY JOINT-ONE WAY	TUBE ASSY JOINT-ONE WAY	2	
17691		17691-KED9-M30	TUBE FUEL FLOW-ACV	TUBE FUEL FLOW-ACV	1	
17801		17801-KED9-M30	JOINT CATCH 3 WAY	JOINT CATCH 3 WAY	1	
17802		17802-KED9-M30	TUBE ASSY AIR-CATCH	TUBE ASSY AIR-CATCH	1	
17803		17803-KED9-M30	TUBE ASSY DARIN-CATCH	TUBE ASSY DARIN-CATCH	1	
17804		17804-KED9-M30	TUBE ASSY CATCH-2 ND CANISTER	TUBE ASSY CATCH-2 ND CANISTER	1	
38773-KBCB		38773-KBCB-900	JOINT 3 WAY	JOINT 3 WAY	1	
38773-KEC3		38773-KEC3-900	JOINT ASSY TANK CAP	JOINT ASSY TANK CAP	1	
38773-PKB9		38773-PKB9-001	JOINT 3 WAY 3.5	JOINT 3 WAY 3.5	1	
90913		90913-KHD8-900	TUBE ASSY WATER PUMP	TUBE ASSY WATER PUMP	1	
95001-35100		95001-35100-40	TUBE FUEL 3.5*100	TUBE FUEL 3.5*100	1	



Sales mark	Ref no	Part no	Description	Reg description	Regd no	F24
	95001-35180	95001-35180-40	TUBE FUEL 3.8*180	TUBE FUEL 3.8*180	1	
	95001-45180	95001-45180-40	TUBE FUEL 4.5*180	TUBE FUEL 4.5*180	1	
	95001-45710	95001-45710-40	TUBE FUEL 4.5*710	TUBE FUEL 4.5*710	1	
	95001-80065	95001-80065-40	TUBE FUEL 8*65	TUBE FUEL 8*65	1	
	95002-02070	95002-02070	CLIP B7 TUBE	CLIP B7 TUBE	7	
	95002-02080	95002-02080	CLIP B8 TUBE	CLIP B8 TUBE	13	
	95002-02130	95002-02130	CLIP B12.5 TUBE	CLIP B12.5 TUBE	4	
	95002-41200	95002-41200-08	FUEL TUBE CLAMP	FUEL TUBE CLAMP	1	



● Be sure to wear a safety helmet when riding.
 ● Do not exceed the speed specified by law when riding.
 ● The exhaust outlet temperature is very high after riding. Be sure to park the motorcycle in a place not easily touched by people.
 ● For riding safety and good performance, do not violate the law to modify the motorcycle.
 ● Please read the user's manual carefully to ensure riding safety.

● Make sure to perform the periodic maintenance and periodic inspection.
Periodic inspection items
 Brake Performance, tires, engine oil level, lights, horn, and instrument panel
 KWANG YANG MOTOR CO., LTD.

87560

CAUTIONS

Tire Size	:Front 120/70-15	Rear 150/70-14
(One Rider)	:Front 2.00kgf/cm ²	Rear 2.50kgf/cm ²
(Two Rider)	:Front 2.25kgf/cm ²	Rear 2.50kgf/cm ²
Load Capacity	:Shield 1.5kg Clip assy center 3kg (As per KYMCO standard specification)	

(Note: The tire pressure must not overpass 2.50kgf/cm²)

● Check the motor oil level with the dipstick after refilling motor oil.

87505

CAUTION

Mobile phone charge only, Use other appliance may cause damage.

KKC2-E000

87541-KKC2

CAUTIONS

Every 6000 km run should exchange the filter.

87512

CAUTIONS

Never put any article between the rear side cover and the engine to avoid interference of riding.

87542

CAUTIONS

Before starting the engine, the side stand shall be kicked up to secure safety.

87541-GAR1

Sales mark	Ref no	Part no	Description	Reg description	Regd no	F25
**	87505	87505-LBA2-E00	LABEL TIRE	LABEL TIRE	1	
**	87512	87512-LBA2-E00	CAUTION FILTER	CAUTION FILTER	1	
**	87541-GAR1	87541-GAR1-E00	CAUTION SIDE STAND	CAUTION SIDE STAND	1	
**	87541-KKC2	87541-KKC2-E00	CAUTION MOBILE PHONE	CAUTION MOBILE PHONE	1	
**	87542	87542-GAR1-E00	MARK MAINT CAUTION	MARK MAINT CAUTION	1	
**	87560	87560-GFY6-E00	MARK DRIVE CAUTION	MARK DRIVE CAUTION	1	





86202



87311-LBA2



87140

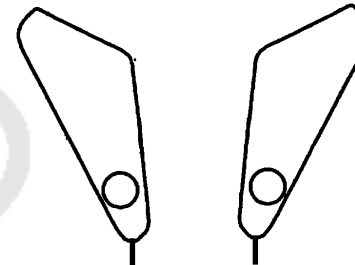


87311-LDG7



86282

86283



86161 86171

VEHICLE EMISSION CONTROL INFORMATION

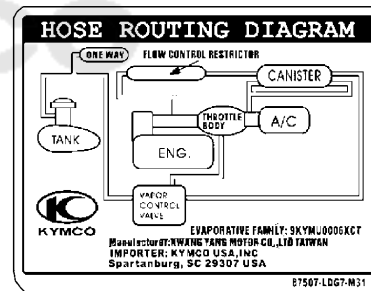
ENGINE DISPLACEMENT: 498.5cc
 ENGINE FAMILY: 9KYMCO .50X4P
 THIS VEHICLE CONFORMS TO US EPA AND CALIFORNIA REGULATIONS APPLICABLE TO 2009 MODEL YEAR NEW MOTORCYCLES AND IS CERTIFIED TO 0.8 g/km HC, 12.8 g/km CO ENGINE FAMILY EXHAUST EMISSION STANDARDS IN CALIFORNIA ENGINE EXHAUST CONTROL SYSTEM: TWO PAIR, TB1, 025
 ENGINE TUNING SPECIFICATIONS:
 IGNITION TIMING: NOT ADJUSTABLE
 IDLE SPEED: 1300 ± 100 rpm IN NEUTRAL
 IDLE MIXTURE: NOT ADJUSTABLE
 VALVE CLEARANCE: 0.1 ± 0.02 mm
 SPARK PLUG: NGK CR7E
 SPARK PLUG GAP: 0.6-0.7 mm
 FUEL: unleaded gasoline-87 ⁺/₂ octane
 OIL: SAE 15W-40
 EVAPORATIVE FAMILY: 9KYM0008KCT
 PERFORATION FAMILY: 9KYM0008KCT

KYANG YANG MOTOR CO., LTD
 TAIWAN

IMPORTER: KYMCO USA, INC
 Spartanburg, SC 29307 USA

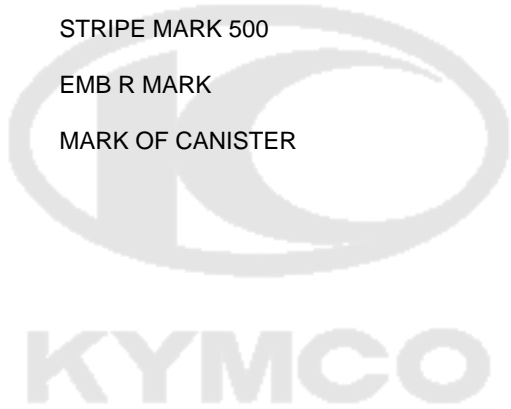
87122-LB07-M31

87122



87507

Sales mark	Ref no	Part no	Description	Reg description	Regd no	F26
**	86161	86161-LDG7-E00	STRIPE R FR FENDER	STRIPE R FR FENDER	1	
**	86171	86171-LDG7-E00	STRIPE L FR FENDER	STRIPE L FR FENDER	1	
**	86202	86202-LDG7-E00	EMB BODY COVER	EMB BODY COVER	2	
**	86282	86282-LDG7-E00	STRIPE R FR MOLD	STRIPE R FR MOLD	1	
**	86283	86283-LDG7-E00	STRIPE L FR MOLD	STRIPE L FR MOLD	1	
**	87122	87122-LDG7-M31	MARK EVAPORATION E/M	MARK EVAPORATION E/M	1	
**	87140	87140-LDG7-E00	EMB I MARK	EMB I MARK	2	
**	87311-LBA2	87311-LBA2-E00	STRIPE MARK 500	STRIPE MARK 500	2	
**	87311-LDG7	87311-LDG7-E00	EMB R MARK	EMB R MARK	2	
**	87507	87507-LDG7-M31	MARK OF CANISTER	MARK OF CANISTER	1	



PART NO. INDEX

PART NO.	VERSION	PAGE	PART NO.	VERSION	PAGE	PART NO.	VERSION	PAGE	
14000			14560-LBA2-E00	1	E03	1565A-LBA2-E00	2	E04	
			14610-LBA2-E00	5	E03	15700-LBA2-E00	2	E01	
			14611-LBA2-E00	3	E02	15710-LBA2-E00	4	E01	
	14102-LDG7-E00	1	E02	14711-LDG7-900	1	E02	15711-LBA2-E00	4	E06
	14103-GEN5-912	0	E02	14721-LBA2-E00	1	E02	15712-LBA2-E00	3	E01
	14104-LBA2-E00	1	E02	14751-LBA2-E00	1	E02	15772-5L00-013	1	F13
	14105-GEN5-910	0	E02	14761-LDG7-900	1	E02	15772-5L00-013	1	F24
	1411A-LBA2-E00	11	E02	14771-KED9-900	2	E02			
	1412A-LDG7-E00	4	E02	14777-LBA2-E00	3	E02	16000		
	14153-LBA2-E00	3	E02	14781-MFA6-001	0	E02			
	14154-LBA2-E00	1	E02				1610K-LDG7-900	1	E09
	14321-KED9-900	5	E02	15000			16112-LDG7-900	1	E09
	14321-LBA2-E00	2	E02				16201-LBA2-E00	3	E02
	14401-LBA2-E00	1	E03	15100-LDG7-E00	4	E06	16212-LDG7-900	1	E02
	14451-LBA2-E00	2	E02	15133-LBA2-E00	2	E06			
	14510-LBA2-E00	5	E03	15134-LBA2-E00	3	E03	17000		
	14531-KED9-900	4	E03	15141-LBA2-E00	1	E06			
	14546-LBA2-E00	4	E02	15200-LBA2-E00	4	E01	17113-LBA2-E00	1	E02
	14550-LBA2-E00	4	E03	15412-LBA2-E00	1	E04	1711A-LDG7-900	3	E02
	14552-KGBG-900	0	E02	1541A-LBA2-E00	2	E04	1720A-LDG7-900	3	F13
14553-LBA2-E00	1	E03	15421-1G07-001	1	E01	17213-LBA2-E00	1	F13	
14554-KAM1-004	0	E03	15421-LBA2-E00	2	E04	17216-KHC4-900	0	F13	
14555-LBA2-E00	1	E03	15426-GAE1-921	0	E01	17223-LBA2-E00	0	F13	
14557-LBA2-E00	2	E03	15520-LBA2-E00	8	E01	17229-LBA2-E00	2	F13	
14558-LBA2-E00	2	E03	15521-LBA2-E00	3	E01	17236-CA01-900	0	F13	
14559-LBA2-E00	1	E03	15522-LBA2-E00	3	E01	1723C-LBA2-E00	2	F13	

PART NO. INDEX

PART NO.	VERSION	PAGE	PART NO.	VERSION	PAGE	PART NO.	VERSION	PAGE
17253-LDG7-900	3	F13	1758A-LBA2-E00	1	F05	18293-KGAG-520	0	F14
17301-GFY6-940	3	F24	17620-LBA2-MYA	1	F19	18293-KKC4-900	0	E01
17304-LBA2-M30	1	E02	17620-LBA2-MYB	1	F19	18294-KEBE-900	0	F14
17308-KKC4-M30	2	F24	17623-LAB4-90A	1	F19	18306-LBA2-E00	1	F14
17308-LDG7-900	1	F13	17623-LAB4-90B	1	F19	1830A-LDG7-900	5	F14
17310-KED9-90A	3	F24	17681-KFA1-900	0	F10	18318-LBA2-M30	2	F14
17321-KED9-M30	2	F24	17684-KQAQ-900	0	F24	18320-LDG7-900	2	F14
17369-KDB4-671	1	E02	17685-GFY6-940	0	E02	18325-LBA2-E00	4	F14
17369-KDB4-671	1	F13	17688-KHE7-M30	1	F24	18357-LBA2-E00	2	F14
17369-KDB4-671	1	F23	17689-KEBE-900	1	F10	18371-LBA2-E00	2	F14
1737A-KKC3-E00	0	F13	17691-KED9-M30	1	F24	18391-LBA2-E00	1	F14
17450-KED9-M30	1	F24	17801-KED9-M30	1	F24	18601-KBE2-900	4	E02
17460-KED9-M30	1	F24	17802-KED9-M30	1	F24	18612-KFB5-900	1	E02
17470-KED9-M30	1	F24	17803-KED9-M30	2	F24	18613-LDB5-E00	2	E02
17500-LDF2-910	3	F10	17804-KED9-M30	1	F24	18618-KBE2-900	0	F23
17502-LBA2-MY0	2	F10	17910-LDG7-900	3	F03	18645-LBA2-E00	1	E02
17504-LAB4-900	2	F10	17911-LDF2-900	3	F03	18646-LBA2-E00	1	E02
17507-LAB4-900	2	F10				18647-LBA2-E00	4	E02
17514-LBA2-E00	1	F10	18000			1866A-LDG7-900	2	E02
17515-LBA2-E00	1	F10				18805-KHB4-910	0	F23
17520-LBA2-E00	3	F19	18291-KEBE-900	0	F14	18806-KBE2-900	1	F23
17527-LBA2-900	0	F19	18291-KKC4-900	1	E01	18807-KBE2-900	3	F23
17550-LDF2-MY0	0	F10	18291-LBA2-E00	3	F14	18812-KBE2-900	0	F23
17560-LDG7-MY0	0	F10	18292-KEBE-900	0	F14	18814-LDG7-900	1	F23
17561-LDG7-900	1	E07	18293-KEBE-900	0	F14			
17561-LEK1-MY0	0	F10	18293-KECE-900	0	F14			

PART NO. INDEX

PART NO.	VERSION	PAGE	PART NO.	VERSION	PAGE	PART NO.	VERSION	PAGE	
19000			19468-LBA2-E00	0	E07	22131-LBA2-E00	4	E05	
			19469-LBA2-E00	0	E07	22132-LBA2-E00	2	E05	
			19504-LBA2-E00	3	E07	22133-LBA2-E00	4	E05	
	19005-LBA2-E00	2	F21	19504-LBA2-E00	3	F10	22300-LBA2-E00	6	E05
	19010-LBA2-E00	6	F21	19505-LBA2-E00	4	F21	22350-LBA2-E00	3	E05
	19012-KHD8-900	4	F21	19507-LBA2-E00	0	E07	22361-LBA2-E00	1	E05
	19013-LBA2-E00	4	F21	19508-LBA2-E00	0	E07	22401-LBA2-E00	3	E05
	19014-LBA2-E00	4	F21	19509-LBA2-E00	4	E07	22530-LBA2-E00	4	E05
	19015-LBA2-E00	0	F21	19521-LDG7-900	1	E07	22804-GBB2-001	0	E05
	19016-LBA2-E00	1	F21	19522-LBA2-E00	2	E07			
	19020-LBA2-E00	0	F21	19523-LBA2-E00	2	E07	23000		
	19030-LBA2-E00	0	F21	21000			2301A-LBA2-E00	9	E05
	19101-LBA2-E00	2	F21				23100-LBA2-E00	1	E05
	19103-LBA2-E00	1	F05	21124-LBA2-E00	0	E05	23201-LBA2-E00	3	E05
	19104-LBA2-E00	1	F21	21200-LBA2-E00	5	E08	23210-LBA2-E00	5	E05
	19105-LBA2-E00	1	F21	21395-LBA2-E00	1	E08	23220-LBA2-E00	5	E05
	1910B-LBA2-E00	1	F05				23225-LBA2-E00	1	E05
	19111-GBE2-004	1	F21	22000			23226-GHC8-004	0	E05
	19200-LBA2-E00	14	E07				23233-LBA2-E00	2	E05
	19210-KKC4-900	0	F21	22100-LBA2-E00	2	E05	23236-LBA2-E00	1	E05
19300-LBA2-E00	1	E07	22102-LBA2-E00	2	E05	23237-LBA2-E00	2	E05	
19310-LDG7-900	2	E07	22105-LBA2-E00	3	E05	23238-LBA2-E00	1	E05	
19315-LBA2-E00	2	E07	22110-LBA2-E00	1	E05	23411-LBA2-E00	4	E08	
19316-LBA2-E00	4	E07	22112-LBA2-E00	2	E05	23420-LBA2-E00	2	E08	
19317-LBA2-E00	1	E07	22121-LDG7-900	2	E05	23431-LBA2-E00	5	E08	
19411-KBCB-900	0	F10							

PART NO. INDEX

PART NO.	VERSION	PAGE	PART NO.	VERSION	PAGE	PART NO.	VERSION	PAGE
23432-LBA2-E00	1	E08	31601-LBA2-E00	2	F19	33607-KKD7-E00	0	F18
23560-LBA2-E00	2	E01	31602-KKC4-900	0	F19	33700-LBA2-E00	5	F18
			3195A-LBA2-E00	1	F19	33702-LBA2-E00	0	F18
28000			32000			33708-KHE7-E00	0	F18
28100-LDG7-E00	2	E06				33709-KHE7-E00	0	F18
28110-LDG7-E00	2	E06	32100-LDG7-E01	6	F19	33720-LBB5-E00	3	F18
28120-LBA2-E00	1	E06	32101-LDG7-900	1	E02	33726-LBB5-E00	1	F18
			32102-LBA2-E00	1	F21	33730-KHD8-M00	0	F05
30000			32105-LLJ3-E00	2	E04	33735-KHD8-M00	0	F05
30300-KED9-900	0	E06	32108-GAR1-711	1	F19	33741-KHC5-M00	0	F18
3051A-LDG7-800	1	F19	32410-LBA2-E00	2	E06	33761-KHC5-M00	1	F18
30700-KKC3-900	2	F19	32411-LBA2-E00	3	F11	33764-LBA2-M30	0	F18
			32412-LBA2-E00	3	E04	33769-LBA2-M30	0	F18
31000			33000			33900-KFBF-900	0	F12
31110-LDG7-900	3	E06	33100-LBA2-M30	1	F01	34000		
31120-LDG7-900	2	E06	33120-LBA2-M30	0	F01	34901-KED9-900	0	F01
31205-KKJ9-000	0	E06	33130-LBA2-M30	0	F01	34903-KPCP-900	0	F18
31210-LBA2-E00	4	E06	33400-LBA2-M30	1	F17	34905-KPCP-900	0	F18
31340-LBA2-E0A	1	F19	33401-LBA2-M30	0	F17	34905-LBA2-M30	0	F17
31345-LBA2-E00	1	F19	33406-LBA2-M30	0	F17	34909-KFBF-900	0	F12
31500-LBA2-90A	4	F11	33450-LBA2-M30	1	F17	35000		
31500-LBA2-90B	3	F11	33451-LBA2-M30	0	F17			
31600-LDG7-900	1	F19	33456-LBA2-M30	0	F17	35010-LBA2-315-M1	0	F19

PART NO. INDEX

PART NO.	VERSION	PAGE	PART NO.	VERSION	PAGE	PART NO.	VERSION	PAGE
35010-LBA2-315-M2	0	F19				38773-KEC3-900	0	F24
35101-LBA2-315-M1	0	F19	37000			38773-PKB9-001	0	F21
35101-LBA2-315-M2	0	F19				38773-PKB9-001	0	F24
35102-LBA2-315-M1	0	F19	37119-LBA2-E00	0	F02			
35102-LBA2-315-M2	0	F19	37200-LDG7-M30	1	F02	39000		
35104-KHC4-90A	0	F19	37213-LBA2-E00	0	F02			
35104-KHC4-90B	0	F19	37214-LBA2-E00	0	F02	39000-LDF2-800	4	F19
35111-KKC4-335-M1	0	F19	37720-KGB5-900	0	E02	39100-KHD8-900	0	F19
35111-KKC4-335-M2	0	F19	37750-PAC1-005	0	E02	39200-LDG7-800	2	F19
35111-LBA2-305-T01	0	F19	37760-KHD8-900	0	F21	39220-LDF2-900	1	F19
35111-LBA2-305-T02	0	F19				39300-LDG7-800	2	E02
35111-LBA2-306-T01	0	F19	38000			39301-LDG7-900	2	E02
35111-LBA2-306-T02	0	F19				39400-LDF2-800	2	E07
35119-KHC4-90A	0	F19	38110-KHB4-E0A	0	F19	39450-LDF2-800	2	F14
35119-KHC4-90B	0	F19	38110-KHB4-E0B	1	F19			
3515A-LDB2-B80	0	F03	38110-KHB4-E0C	1	F19	42000		
3520A-KEBE-900	2	F03	38200-KHE7-900	0	F19			
35340-KKC4-80A	0	F19	38300-LCD3-M30	0	F19	42311-LBA2-E00	2	F08
35340-KKC4-80B	0	F19	38500-KHD8-900	0	F11	42312-LBA2-E00	1	F08
35340-KNBN-901	0	F04	38500-KHD8-900	0	F19	42601-LBA2-E00	4	F08
35350-KNBN-901	0	F04	38500-KHD8-90A	0	F11	42601-LFH1-E00	4	F08
35350-LBA2-E00	0	F21	38500-KHD8-90A	0	F19	42710-LBA2-E0A	4	F08
35370-KEC8-E00	3	F15	38501-KHD8-900	0	F19	42710-LBA2-E0B	4	F08
35380-LDF2-900	2	F19	38501-KHD8-90A	0	F19	42753-KNBN-90B	1	F07
35500-KED9-900	6	E04	38773-KBCB-900	0	F10	42753-KNBN-90B	1	F08
35850-LBA2-E00	1	F19	38773-KBCB-900	0	F24			

PART NO. INDEX

PART NO.	VERSION	PAGE	PART NO.	VERSION	PAGE	PART NO.	VERSION	PAGE
43000			44000			45127-LBA2-E02	2	F04
43100-LDG7-E03	2	F08	44301-LBA2-E00	5	F07	45128-LBA2-900	2	F06
43105-LBA2-305	0	F08	44311-KED9-900	5	F07	45128-LBA2-920	1	F06
43107-LBA2-E00	0	F08	44312-LBA2-E00	2	F07	45128-LBA2-E00	1	F06
43109-LBA2-E00	0	F07	44620-LBA2-E00	3	F07	45129-LBA2-900	1	F06
43109-MCA3-007	0	F08	44650-LBA2-305	0	F07	45129-LBA2-E00	2	F06
43110-LBA2-E00	0	F08	44710-LBA2-E0A	3	F07	45130-KED9-900	0	F07
43113-LBA2-E00	0	F08	44710-LBA2-E0B	5	F07	45131-LDG7-E03	4	F07
43119-LBA2-E00	0	F08				45132-1F66-017	0	F08
43126-LBA2-E02	2	F04	45000			45132-KED9-900	0	F08
43129-LBA2-E00	2	F04	45100-LDG7-E03	3	F07	45134-KED9-900	0	F07
43140-LBA2-E00	0	F08	45105-LBA2-305	0	F07	45134-KED9-900	0	F08
43143-LBA2-E00	0	F08	45105-LBA2-306	0	F07	45135-KED9-900	0	F08
43146-LBA2-E00	0	F08	45107-LBA2-E00	0	F07	45136-LBA2-E02	1	F04
43156-KKC4-900	2	F04	45107-LLJ3-E00	0	F08	45200-LDG7-E03	3	F07
43156-LDB2-900	1	F04	45107-LLJ3-E90	0	F07	45203-KED9-900	0	F07
43351-LDG7-E03	4	F08	45107-LLJ3-E90	0	F08	45203-KED9-900	0	F08
43353-KED9-900	0	F07	45108-KED9-900	0	F07	45209-KED9-900	0	F08
43353-KED9-900	0	F08	45108-KED9-900	0	F08	45209-LBA2-E00	0	F07
4335A-LBA2-E01	2	F07	45109-KED9-900	0	F07	45210-LBA2-305	0	F07
4335A-LBA2-E01	2	F08	45110-LBA2-305	0	F07	45352-LBA2-E00	4	F07
43450-LBA2-E00	7	F03	45125-LBA2-E00	3	F06	45513-LEA7-E00	1	F04
43530-LBA2-309	0	F04	45126-LBA2-E02	3	F04	45516-LBA2-E00	0	F08
						45517-LBA2-E00	2	F04
						45520-KKA8-900	0	F04
						45521-LEA7-E00	1	F04

PART NO. INDEX

PART NO.	VERSION	PAGE	PART NO.	VERSION	PAGE	PART NO.	VERSION	PAGE
45530-LBA2-309	0	F04	50357-LBA2-E00	2	F20	51404-LBA2-E00	0	F22
45531-KED9-900	0	F07	50358-LBA2-E00	3	F20	51410-LBA2-E00	0	F22
45531-KED9-900	0	F08	50360-LBA2-E00	5	F20	51412-LBA2-E00	0	F22
48000			50502-GFY6-901	3	F15	51416-LBA2-E00	0	F22
			50504-LBA2-E00	3	E01	51419-LBA2-E00	0	F22
			50505-KUDU-900	1	F15	51421-LBA2-E00	0	F22
			50505-LAD9-900	3	F15	51422-LBA2-E00	0	F22
48200-LBA2-E02	1	F04	50505-LEA7-E00	0	F15	51424-LBA2-E00	0	F22
50000			50506-KHE7-E00	0	F15	51425-LBA2-E00	0	F22
			5050A-LDG7-900	3	F15	51428-LBA2-E00	0	F22
			50530-LDB2-E00	3	F15	51437-LBA2-E00	0	F22
			50550-KKC2-E00	0	F15	51470-LBA2-E00	0	F22
50100-LBA2-900	6	F20	50611-LBA2-E00	6	F10	51500-LBA2-E00	10	F06
50144-LBA2-E00	4	E07	50612-LDG7-900	2	F10	51521-LBA2-E00	0	F22
50153-LDF2-900	2	F19	50701-LBA2-E00	1	F20			
50154-LBA2-E00	3	F20	50713-KEB7-900	0	F20	52000		
50154-LDF2-900	1	F19	50715-KEB7-900	0	F20			
50187-LBA2-E00	1	F20	5071A-LBA2-E00	1	F20	52000-LBA2-E00	10	F16
50306-1F96-001	0	F06	5071B-LBA2-E00	1	F20	52000-LFH1-E00	2	F16
50326-LBA2-E00	2	F11	50720-LBA2-E00	1	F20	52400-LBA2-E00	5	F16
50328-LBA2-E00	2	F11	50730-LBA2-E00	1	F20			
5032A-LBA2-E00	2	F11				53000		
50330-LBA2-E00	1	F11	51000					
50350-LBA2-E00	5	F20				53100-LBA2-E00	7	F03
50352-LDG7-900	1	F20				53102-LEA5-E00	3	F03
50353-LBA2-E00	1	F20	51400-LBA2-E00	10	F06	53105-LEA5-E00	3	F03
50354-LBA2-E00	8	F20	51401-LBA2-E00	0	F22			
50356-LBA2-E00	5	F20						

PART NO. INDEX

PART NO.	VERSION	PAGE	PART NO.	VERSION	PAGE	PART NO.	VERSION	PAGE
53131-3H98-941	0	F03	53213-LBA2-E00	2	F06	64302-LBA2-305	0	F05
53140-KKC4-900	0	F03	53214-LBA2-E00	2	F06	64303-LBA2-E00	2	F05
53166-KGB5-900	0	F03	53220-LBA2-E00	2	F06	64304-LBA2-E00	2	F05
53175-LBA2-E00	0	F04	53230-LBA2-E00	8	F06	64305-LBA2-E00	2	F05
53178-LBA2-E00	0	F04	53240-LBA2-E00	2	F06	64306-LBA2-E00	2	F05
53180-LBA2-E00	4	F21	53250-LBA2-E00	2	F06	64310-LBA2-E00	4	F05
53181-LBA2-E00	4	F21				64311-LBA2-E00	1	F05
53182-LBA2-E00	3	F21	55000			64315-LDG7-800	0	F20
53183-LBA2-E00	3	F21				64320-LBA2-E00	2	F05
53184-LBA2-E00	1	F21	55102-1F66-001	0	F13	64330-LBA2-E00	2	F05
53190-LBA2-E00	2	F21				64400-LBA2-E00	2	F05
53191-LBA2-E00	4	F21	61000					
53192-LBA2-E00	5	F21				70000		
53193-LBA2-E00	3	F21	61100-LBA2-315	0	F05			
53194-LBA2-E00	3	F21	61101-LBA2-E00	1	F05	70529-6G57-671	0	F05
53195-LBA2-E00	3	F21						
53196-LBA2-E00	2	F21	64000			75000		
53197-LBA2-E00	0	F21						
53198-LBA2-E00	0	F21	64206-MLJ0-001	1	F12	75581-6C73-001	0	F05
53199-LBA2-E00	0	F21	64220-LDG7-E00	1	F03			
53200-LBA2-E00	7	F06	64222-KKC4-900	3	F03	77000		
53203-LBA2-E00	2	F03	64222-LLJ3-E00	1	F05			
53204-LBA2-E00	3	F03	64231-LBA2-E00	1	F03	77105-GFS6-001	1	F12
53205-LBA2-E02	1	F03	64232-LBA2-E00	1	F03	77106-GFS6-001	1	F12
53206-LBA2-E00	1	F03	6423A-LBA2-E00	1	F03	77200-LDG7-E00	1	F09
53208-LBA2-E00	3	F03	64250-LBA2-E00	2	F03	77206-KEB7-900	0	F09

PART NO. INDEX

PART NO.	VERSION	PAGE	PART NO.	VERSION	PAGE	PART NO.	VERSION	PAGE
77220-LDG7-E00	0	F09				83551-KEC8-900	0	F05
77232-GLW0-316-M1	0	F19	81000			83600-LBA2-E00	3	F12
77232-GLW0-316-M2	0	F19				83620-LBA2-E00	2	F12
77235-KGC4-E0A	2	F19	81131-LBA2-E01	2	F05	83750-LBA2-E00	2	F12
77235-KGC4-E0B	2	F19	81133-LBA2-E00	1	F05			
77235-KKC4-80A	0	F19	81134-KGBG-900	2	F05	86000		
77235-KKC4-80B	0	F19	81135-KGBG-900	2	F05			
77240-LBA2-E00	2	F19	81142-LBA2-E00	1	F05	86161-LDG7-E00	1	F26
77300-LBA2-E00	1	F09	81146-LBA2-E00	2	F05	86171-LDG7-E00	1	F26
77303-LLJ3-E00	2	F09	8114A-LBA2-E00	1	F05	86202-LDG7-E00	2	F26
77305-LDG7-E00	0	F09	81200-LBA2-E00	2	F12	86282-LDG7-E00	1	F26
77400-LBA2-E00	2	F09	81201-LBA2-E00	1	F12	86283-LDG7-E00	1	F26
77500-LBA2-E00	1	F09	81251-LBA2-E00	3	F12			
77501-LBA2-E00	1	F09	81252-LBA2-E00	3	F12	87000		
			81255-LBA2-E00	1	F12			
80000			81256-LBA2-E00	1	F12	87122-LDG7-M31	1	F26
			81257-LBA2-E00	1	F12	87140-LDG7-E00	2	F26
80101-LBA2-E00	1	F18	81258-LBA2-E00	0	F12	87206-LBA2-E00	2	F03
80102-LBA2-E00	2	F18	81259-LBA2-E00	0	F12	87311-LBA2-E00	5	F26
80103-LBA2-E00	3	F18	81260-LBA2-E00	6	F12	87311-LDG7-E00	3	F26
80104-LBA2-E00	1	F12				87505-LBA2-E00	1	F25
80105-LBA2-M30	1	F18	83000			87507-LDG7-M31	1	F26
80107-LBA2-E00	1	F18				87508-KKC4-E00	1	F03
80151-LBA2-E00	1	F05	83500-LBA2-E00	3	F12	87512-LBA2-E00	2	F25
			83520-LBA2-E00	2	F12	87541-GAR1-E00	1	F25
			83550-KEC8-900	0	F05	87541-KKC2-E00	1	F25

PART NO. INDEX

PART NO.	VERSION	PAGE	PART NO.	VERSION	PAGE	PART NO.	VERSION	PAGE
87542-GAR1-E00	2	F25	90033-GFY6-900	0	E02	90122-LBA2-E00	1	F07
87560-GFY6-E00	3	F25	90071-MLB0-001	0	E06	90131-LDB2-E00	2	F08
88000			90083-KED9-900	2	E02	90145-LBA2-E00	2	F04
			90084-4H28-001	0	E02	90145-MKS9-61A	1	F04
			90084-LEA5-001	1	E04	90164-MDR4-901	0	F05
88110-LBA2-E02	2	F03	90101-LBA2-E00	0	F08	90201-KHR8-75A	1	E05
88120-LBA2-E02	2	F03	90105-KCR3-001	1	F07	90201-KHR8-75A	1	E06
89000			90105-KCR3-001	1	F08	90201-LBA2-E00	1	F06
			90105-KHB4-900	0	F03	90202-LBA2-E00	1	E05
			90105-KHB4-900	0	F12	90205-LBA2-E00	2	E05
89010-LBA2-E00	2	F09	90105-LBA2-E00	2	F20	90206-0A01-001	2	E02
89020-KKC4-900	1	F09	90105-LLJ3-E00	3	F03	90215-KKC4-900	1	F09
90000			90105-LLJ3-E00	3	F05	90215-KKC4-900	1	F12
			90106-KFA6-900	0	F12	90301-6D34-671	1	F03
			90106-KFC2-900	0	F03	90301-6D34-671	1	F10
90001-GBHB-661	2	E06	90108-KKC4-900	1	F15	90301-6D34-671	1	F21
90001-LBA2-E00	2	E02	90110-KEBE-900	0	F14	90301-GFY6-901	2	F14
90002-LBA2-E00	2	E02	90111-1G87-001	1	F13	90302-GBR2-001	1	F21
90003-LBA2-E00	1	E04	90111-KED9-900	0	F03	90302-GFY6-940	1	F18
90004-LBA2-E00	3	E01	90111-KED9-900	0	F05	90302-SDA4-004	2	F03
90005-LBA2-E00	3	E01	90111-KED9-900	0	F12	90302-SDA4-004	2	F05
90011-KED9-900	1	E02	90112-KNBN-901	1	F11	90302-SDA4-004	2	F12
90012-3C33-001	1	E02	90113-KKA8-900	0	F04	90304-LBD4-900	2	F20
90017-KED9-900	3	E02	90114-KED9-900	3	F20	90305-GHE8-004	1	F20
90031-LBA2-E00	3	E02	90114-LBA2-E00	1	F12	90305-GHK8-001	1	F05
90032-LBA2-E00	3	E02	90120-KGAG-520	0	F14	90305-GHK8-001	1	F12

PART NO. INDEX

PART NO.	VERSION	PAGE	PART NO.	VERSION	PAGE	PART NO.	VERSION	PAGE
90305-LBA2-E00	1	F05	90605-1F66-721	0	E05	91009-LBA2-E00	1	E08
90306-LBA2-900	1	F08	90652-KHE7-900	0	F13	91202-LBA2-E00	1	E01
90312-GLF0-001	0	F03	90652-LBA2-E00	1	F13	91211-LBA2-E00	1	E05
90312-LLJ3-E01	0	F05	90652-LDG7-900	1	E02	91251-LBA2-E00	0	F22
90401-KKJ9-001	0	E06	90656-KCBC-900	0	F19	91254-LBA2-E00	0	F22
90402-LBA2-E00	3	E03	90656-KUDU-900	0	F19	91255-KHE7-900	0	F16
90403-KED9-900	2	E02	90660-KNBN-921	0	F10	91255-LBA2-E00	1	E08
90403-LBA2-E00	1	E05	90677-GAR1-004	1	F03	91257-KED9-900	2	F07
90407-KAM1-001	0	E04	90677-GAR1-004	1	F12	91261-4E15-004	0	E01
90407-LBA2-E00	3	E01	90677-GAR1-004	1	F18	91301-LDF2-800	1	E02
90412-3K29-001	0	E06	90680-LBA2-E00	1	E02	91302-0A01-021	0	E01
90421-LBA2-E00	1	E03	90683-GAR1-004	4	F05	91302-LDF2-800	2	E02
90441-LBA2-E00	1	E05	90701-9E65-001	0	E01	91303-1G07-001	1	E04
90442-LBA2-E00	1	E05	90701-KED9-900	2	E03	91303-3G77-001	0	E02
90465-LBA2-E00	1	E02	90805-LBA2-E00	2	E04	91303-3G77-001	0	E04
90474-3C33-001	1	E01	90912-LBA2-E00	8	F21	91307-0E35-001	0	E04
90478-7L00-001	0	E03	90913-KHD8-900	0	F24	91308-KED9-900	1	E02
90488-7L00-001	0	E02	90913-LBA2-E00	1	F21	91309-4E25-004	0	E06
90488-7L00-001	0	E08	90914-KED9-900	3	E02	91313-KED9-900	3	E01
90503-0A51-870	0	F06				91317-LBA2-E00	1	E01
90503-LBA2-E00	2	F06	91000			91351-LBA2-E00	1	E05
9052A-GFY6-950	3	E01				91407-SGA7-004	0	F13
90541-KED9-900	1	E02	91001-KHV8-004	0	E01			
90544-KEC8-900	0	F22	91002-LBA2-E00	1	E05	92000		
90545-3L00-001	2	F04	91004-LBA2-E00	1	E05			
90601-LBA2-E00	2	E05	91009-LBA2-E00	1	E01	92101-05012-0A	0	F07

PART NO. INDEX

PART NO.	VERSION	PAGE	PART NO.	VERSION	PAGE	PART NO.	VERSION	PAGE
92101-05012-0H	0	E06	93891-05016-06	0	F11	93903-GFY6-900	1	F21
92712-06028-0B	2	E02	93891-06010-07	0	F12	93903-KEB7-900-06	1	F03
93000			93892-04008-18	0	E09	94000		
			93893-04012-18	0	F04			
			93894-04022-08	1	F19			
			93901-24560	0	F21		94050-05080	0
93401-05020-08	0	F19	93901-32320	0	F18	94050-06060	0	F04
93404-06012-06	0	F05	93901-34320	0	F18	94050-06080	0	E02
93404-06016-06	0	F05	93901-44320	0	F18	94050-06080	0	E07
93404-06016-06	0	F12	93903-24220	0	F18	94050-06080	0	F04
93404-06016-06	0	F13	93903-24320	0	F23	94050-06080	0	F05
93404-06016-06	0	F15	93903-34360	0	E01	94050-06080	0	F09
93404-06016-06	0	F18	93903-34360	0	F05	94050-06080	0	F10
93404-06020-06	1	F03	93903-34360	0	F12	94050-06080	0	F11
93404-06030-06	0	F13	93903-34360	0	F17	94050-06080	0	F18
93500-03010-1A	0	E06	93903-34360	0	F18	94050-06080	0	F19
93500-03014-1A	0	F21	93903-34460	0	E01	94050-06080	0	F20
93500-04006-1G	0	F21	93903-35260	0	F10	94050-08080	0	F09
93500-04008-0G	0	F10	93903-35320	0	F01	94050-08080	0	F19
93500-04020-0G	0	F19	93903-35320	0	F02	94050-08080	0	F21
93500-05016-1B	0	F03	93903-35320	0	F03	94050-86000	0	F08
93500-05025-1B	0	F03	93903-35360	0	F18	94101-04800	0	F21
93500-05032-1B	0	F03	93903-GFY6-900	1	F03	94101-06000	0	F20
93500-05045-1B	0	F03	93903-GFY6-900	1	F05	94101-06700	0	F14
93500-KHC4-90A	0	F19	93903-GFY6-900	1	F12	94101-06800	0	F09
93600-04012-1A	0	F04	93903-GFY6-900	1	F18	94101-08700	0	F15
93891-05016-06	0	F05						

PART NO. INDEX

PART NO.	VERSION	PAGE	PART NO.	VERSION	PAGE	PART NO.	VERSION	PAGE
94101-LBA2-E00	1	F20	94591-KFBF-900	2	F10	95002-KHE7-900	0	F21
94102-LBA2-E00	1	F20	94601-22000	1	E03	95002-KKD6-E05	0	F23
94111-05800	0	E06	94605-LBA2-E00	0	F22	95002-LBA2-E00	2	E04
94111-06800	0	E01	94608-LBA2-E00	0	F22	95005-LDG7-E00	1	F23
94201-16150	0	F20				95014-72204	0	F15
94251-08400	0	F15	95000			95701-06008-06	1	F06
94301-10160	0	E01				95701-06012-00	0	F06
94301-10160	0	E04	95001-35100-40	0	F24	95701-06012-08	0	E02
94301-10160	0	E08	95001-35180-40	0	F24	95701-06012-08	0	F20
94301-12200	1	E01	95001-35550-40	0	F21	95701-06016-02	0	E01
94301-12200	1	E03	95001-45180-40	0	F24	95701-06016-02	0	F21
94303-04065	0	E06	95001-45710-40	0	F24	95701-06016-08	0	E02
94510-10000	0	E06	95001-80065-40	0	F24	95701-06022-08	0	E01
94510-20000	0	E02	95002-02070	0	E02	95701-06025-06	2	F14
94510-25000	0	E08	95002-02070	0	F21	95701-06025-08	0	E02
94520-12100	0	E01	95002-02070	0	F24	95701-06025-08	0	E03
94520-47000	0	F16	95002-02080	0	F24	95701-06028-08	0	E02
94520-52000	0	E01	95002-02100	0	F13	95701-06032-08	0	E01
94520-55000	0	E01	95002-02100	0	F21	95701-06040-08	0	E02
94520-55000	0	E08	95002-02120	1	F13	95701-06050-00	0	F06
94520-LBA2-E00	1	E05	95002-02130	0	F10	95701-08012-08	0	E01
94591-27000	0	F12	95002-02130	0	F24	95701-08012-08	0	E08
94591-27000	0	F17	95002-41200-08	0	F24	95701-08012-08	0	F20
94591-KFBF-900	2	E02	95002-41250-00	0	F13	95701-08025-08	0	E08
94591-KFBF-900	2	E03	95002-50000	0	F13	95701-08035-06	1	F03
94591-KFBF-900	2	E04	95002-70000	0	F21	95701-08040-08	0	E08

PART NO. INDEX

PART NO.	VERSION	PAGE	PART NO.	VERSION	PAGE	PART NO.	VERSION	PAGE
95701-08045-08	0	E08	96001-06028-06	0	F04	96600-LBA2-E00	0	F22
95701-08045-08	0	F20	96001-06032-08	0	E06			
95701-KHC5-E00	3	F19	96001-06040-08	0	E03	98000		
95701-LBA2-E00	0	F08	96001-06040-08	0	E04			
95701-LDF2-800	2	F10	96001-06040-08	0	E07	98059-57916-00	2	E02
95801-08040-08	0	F06	96001-06050-08	0	E04	98200-31000	1	F11
95801-08050-06	1	F16	96001-06060-08	0	E01	98200-31000	1	F19
95801-10025-08	0	F15	96001-06065-08	0	E01	98200-31500	0	F11
95801-10040-02	0	F16	96001-06075-08	0	E01	98200-31500	0	F19
95801-10050-06	1	F14	96001-06095-08	0	E01	98200-33000	0	F11
95801-10057-06	2	F20	96001-06100-08	0	E01	98200-33000	0	F19
95801-KED9-900	2	E02	96001-GFY6-900	1	F13	98200-KKC4-900	0	F19
			96100-62040-00	5	E01			
96000			96100-62040-00	5	E08	E		
			96100-63040-00	1	E01			
96001-06012-08	0	E01	96100-63040-00	1	E08	E040-3106	0	E03
96001-06012-08	0	E06	96100-LBA2-E00	1	E01			
96001-06012-08	0	F04	96120-60020-00	0	F20	W		
96001-06012-08	0	F06	96120-62000-00	0	F20			
96001-06014-07	0	F14	96150-60040-10	0	F07	W1792-048-9901	0	E09
96001-06014-08	0	E02	96150-60050-00	0	E01			
96001-06014-08	0	F19	96150-60050-00	0	F16			
96001-06018-08	0	E03	96211-08000	0	F20			
96001-06020-06	0	F19	96600-06020-10	1	E06			
96001-06022-08	0	E04	96600-08025-06	0	F06			
96001-06025-08	0	E07	96600-08035-06	0	F06			