

KYMCO

SPIKE 125R

DOUBLE DISK BRAKE

ACTUALIZADO SEPTIEMBRE DE 2006

auteco
motocicletas



**CATÁLOGO
DE PARTES**

PREFACIO

Es nuestro placer presentarles a ustedes el Catálogo de Partes.

Este Catálogo ha sido especialmente diseñado para ayudarle en la selección de las partes correctas con el fin de mantener el vehículo en las mejores condiciones.

Los repuestos originales están sujetos a un exigente estándar de control de calidad, por lo tanto es necesario que usted sólo use repuestos originales.

En nuestro constante esfuerzo para mejorar la eficiencia y desempeño de su vehículo, las especificaciones, diagramas y número de partes pueden cambiar sin previo aviso. Consecuentemente las descripciones de los repuestos en este Catálogo pueden no ser las finales y definitivas.

Las alteraciones y modificaciones que ocurren en la impresión de este Catálogo, serán informadas a nuestra red, a través de circulares de Servicio. Es requisito que usted actualice su Catálogo y haga las correcciones necesarias, una vez reciba dichas circulares. Lo anterior le asegurará un rápido y adecuado despacho de sus partes, pues las órdenes están siendo diligenciadas con las referencias más actualizadas.

En caso de necesitar asistencia técnica, comunicarse con el Distribuidor Autorizado o llamar al Departamento de Servicios Auteco-Kawasaki.

Todos los derechos reservados, No se permite la reproducción total o parcial de este libro, en ninguna forma o por ningún medio, ya sea electrónico o mecánico, incluido fotocopiado, sin permiso escrito de Autotecnica Colombiana S.A. "AUTECO S.A."



DIRECTORIO TELEFÓNICO - DIVISION REPUESTOS

NOMBRE	CARGO	CELULAR	PBX Y EXT.
ALVARO VÉLEZ V.	JEFE LINEAS ESPECIALES	03310-3739023	373 00 45 EXT. 110
JOSE IGNACIO ROJAS L.	JEFE LINEAS ORIGINALES	03313-767 78 36	373 00 45 EXT. 117
ALEXANDER GRAJALES	VENTAS	03310-3739019	373 00 45 EXT. 112
BERNARDO MURIEL G.	VENTAS	03310-4362742	373 00 45 EXT. 127
CARLOS H. TOBON R.	VENTAS	03310-4473611	373 00 45 EXT. 106
CARLOS MARIO SALAZAR	VENTAS	03310-4148845	373 00 45 EXT. 108
ELKIN GALLEGO R.	VENTAS	03310-4362598	373 00 45 EXT. 107
GONZALO A. SALDARRIAGA S.	VENTAS	03310-4068874	373 00 45 EXT. 102
HECTOR A. VALENCIA R.	VENTAS	03310-4473652	373 00 45 EXT. 104
HECTOR JAIRO LOPEZ C.	VENTAS	03312-2576791	373 00 45 EXT. 137
JOHN JAIRO LÓPEZ CH.	VENTAS	03310-4442215	373 00 45 EXT. 105
NESTOR R. ADARVE	VENTAS	03310-4362689	373 00 45 EXT. 128
UBERNEY ORTIZ V.	VENTAS	03312-2576175	373 00 45 EXT. 115
WILLIAM GUTIÉRREZ CH.	VENTAS	03310-4074072	373 00 45 EXT. 133
MAURICIO MEJÍA	VENTAS		373 00 45 EXT. 275
GABRIEL JAIME CARMONA	VENTAS ORIGINALES	03313-7677843	373 00 45 EXT. 134
JORGE GIL	VENTAS ORIGINALES		373 00 45 EXT. 140
JORGE MARIO MAYA V.	VENTAS ORIGINALES	03312-2589384	373 00 45 EXT. 138

DIAGONAL 38 A Nº 34-56 B. SAN JOSE ITAGUI		FAX BODEGA: 373 83 94	FAX OFICINAS: 373 03 75
SERVICIO AL CLIENTE		DORIS CARMONA	373 41 41 EXT. 125
FACTURACIÓN		RICARDO CUARTAS	373 41 41 EXT. 121
DEVOLUCIONES RECLAMOS Y MOTOS VARADAS		ALEJANDRO POSADA Y LUIS RODRIGUEZ	373 41 41 EXT. 135
VENTAS AL PUBLICO		JULIAN BEDOYA	373 49 33

LINEA GRATUITA SERVICIO AL CLIENTE - ACLARA -

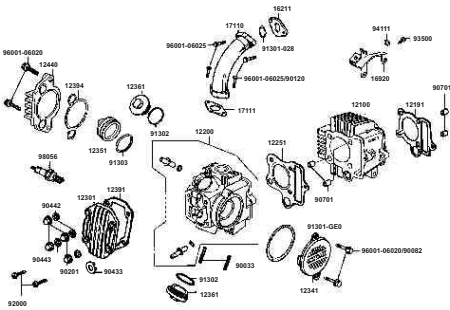
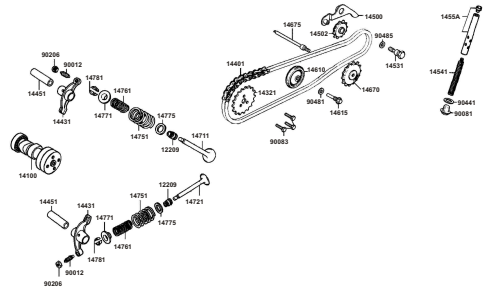
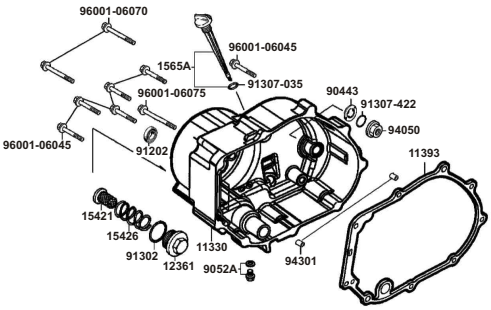
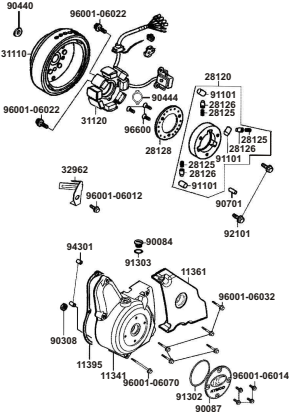
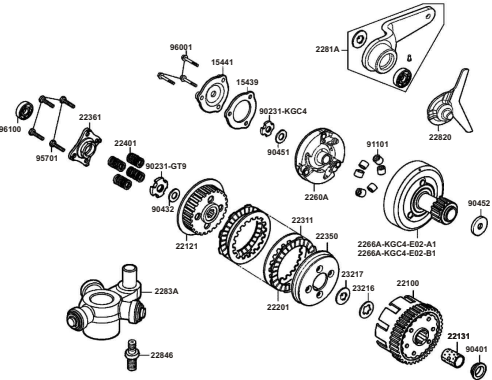
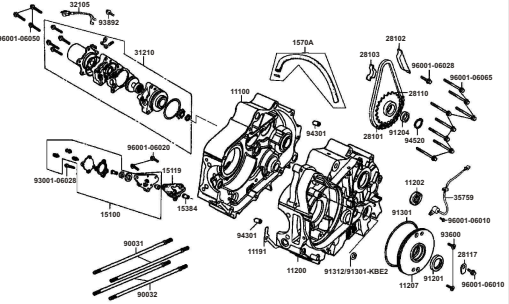
01 8000 52 00 90

INDEX

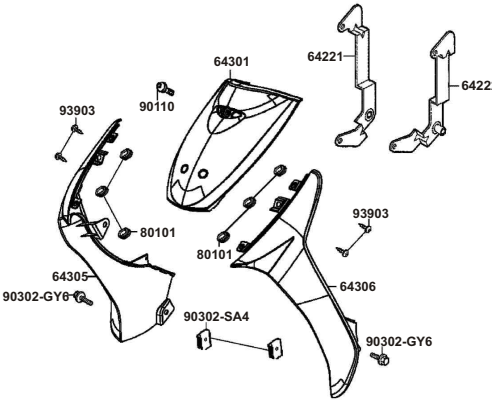
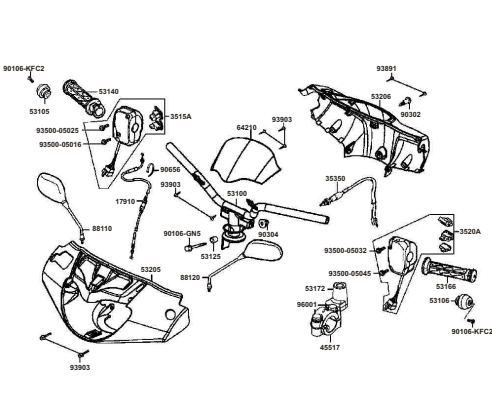
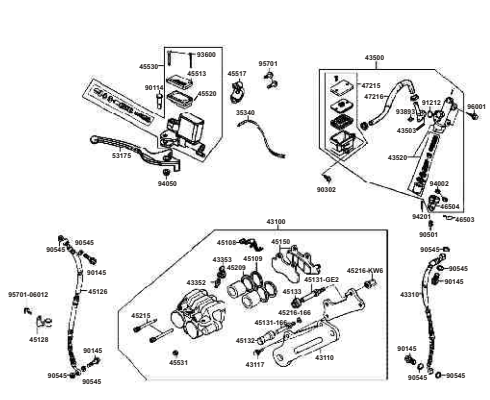
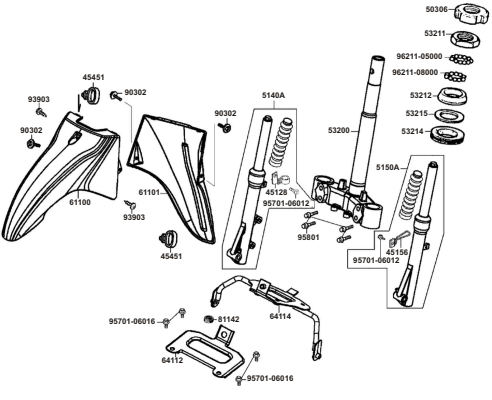
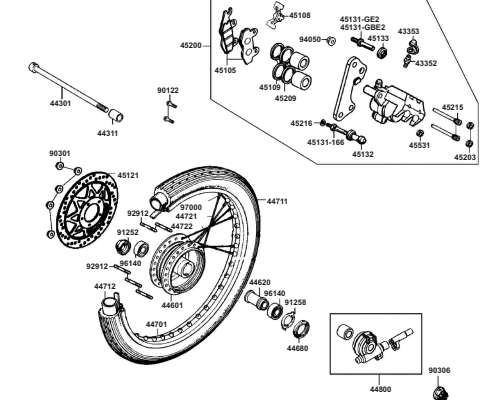
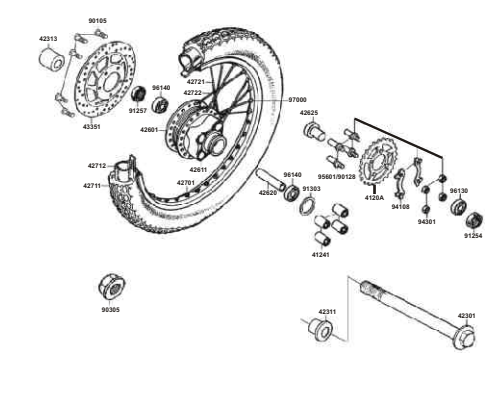
FIG. N°	DESCRIPTION	PAGE N°
E-1	Cylinder / Cylinder Head Cover	1-2
E-2	Valve/ Shaft Cam/ Chain Cam	3-4
E-3	Right Crankcase Cover	5
E-4	Generator/ Light Crankcase Cover	6
E-5	Clutch	7-8
E-6	Crank case/ Starting Motor/ Oil Pump	9-10
E-7	Transmission	11-12
E-8	Spindle Gear Shift	13
E-9	Crankshaft/ Piston	14
E-10	Carburetor	15
F-1	Head Light	16
F-2	Speedometer	17
F-3	Front Cover	18
F-4	Handle Steering/ Handle Cover	19-20
F-5	Brake Master Cylinder	21-22
F-6	Front Cushion	23-24
F-7	Front Wheel	25-26

FIG. N°	DESCRIPTION	PAGE N°
F-8	Rear Wheel	27-28
F-9	Seat	29
F-10	Fuel Tank	30
F-11	Battery	31
F-12	Air Cleaner	32
F-13	Body Cover / Luggage Box	33-34
F-14	Exhaust Muffler	35
F-15	Stand / Kick Starter Arm	36
F-16	Front Wheel/ Rear Cushion	37-38
F-17	Winker	39
F-18	Rear Light/ Rear Fender	40
F-19	Wire Harness	41
F-20	Frame Body	42
F-21	Air Cleaner Two	43
F-22	Separated Parts Of Fr Fork	44
F-23	Emblem/ Stripe	45-46
F-24	Caution Label	47
	Parts Index	48-53

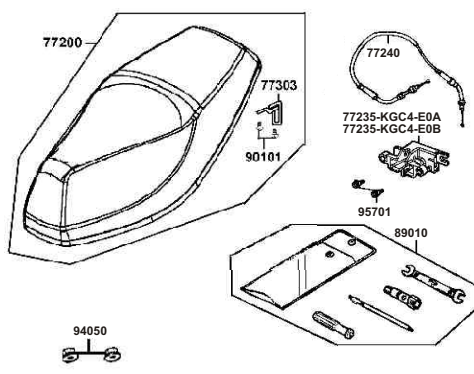
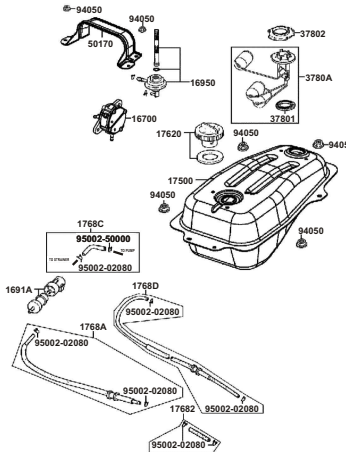
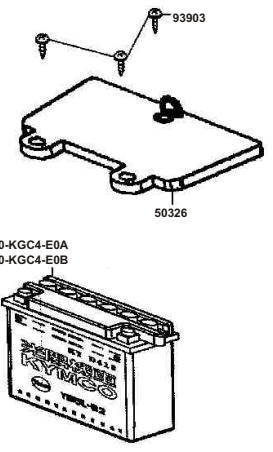
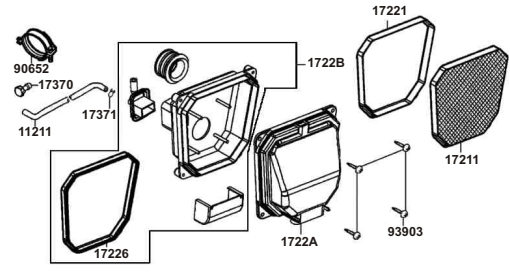
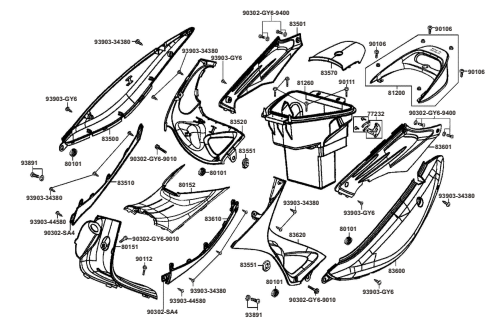
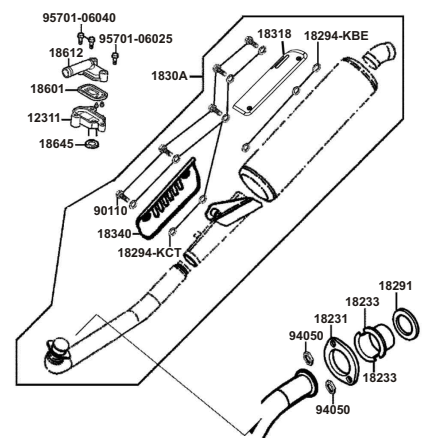
PICTORIAL INDEX

			<p>E1 : CYLINDER HEAD COVER / CYLINDER HEAD / CYLINDER</p> <p>PAGE No. 1 - 2</p>	<p>E2 : VALVE / SHAFT CAM / CHAIN CAM</p> <p>PAGE No. 3 - 4</p>	<p>E3 : RIGHT CRANKCASE COVER</p> <p>PAGE No. 5</p>
			<p>E4 : GENERATOR / LIGHT CRANKCASE COVER</p> <p>PAGE No. 6</p>	<p>E5 : CLUTCH</p> <p>PAGE No. 7 - 8</p>	<p>E6 : CRANK CASE / STARTING MOTOR OIL PUMP</p> <p>PAGE No. 9 - 10</p>

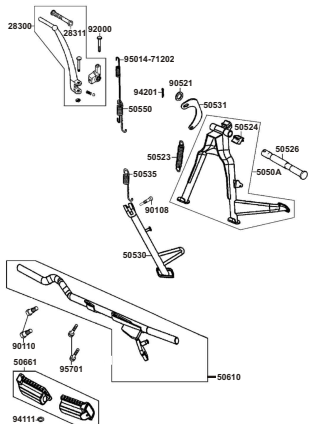
PICTORIAL INDEX

			
F3 : FRONT COVER	PAGE No. 18	F4 : HANDLE STEERING / HANDLE COVER	PAGE No. 19 - 20
	PAGE No. 23 - 24		PAGE No. 25 - 26
F6 : FRONT CUSHION	PAGE No. 23 - 24	F7 : FRONT WHEEL	PAGE No. 25 - 26
	PAGE No. 27 - 28	F8 : REAR WHEEL	PAGE No. 27 - 28

PICTORIAL INDEX

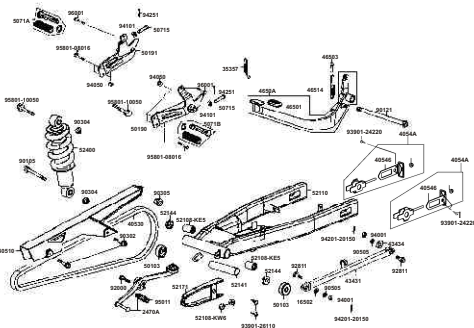
					
F9 : SEAT	PAGE No. 29	F10 : FUEL TANK	PAGE No. 30	F11 : BATTERY	PAGE No. 31
	PAGE No. 32		PAGE No. 33 - 34		PAGE No. 35
F12 : AIR CLEANER	PAGE No. 32	F13 : BODY COVER / LUGGAGE BOX	PAGE No. 33 - 34	F14 : EXHAUST MUFFLER	PAGE No. 35

PICTORIAL INDEX



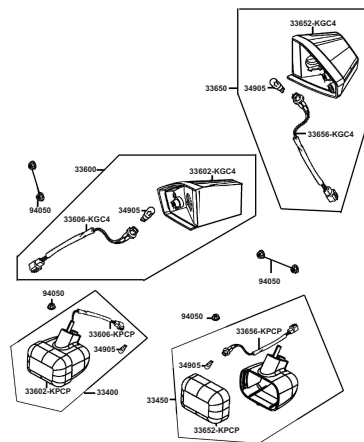
F15 : STAND / KICK STARTER ARM

PAGE No.
36



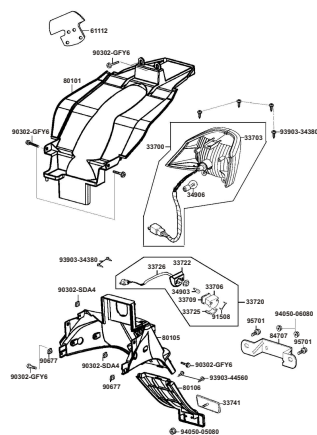
F16 : FRONT WHEEL / REAR CUSHION

PAGE No.
37 -38



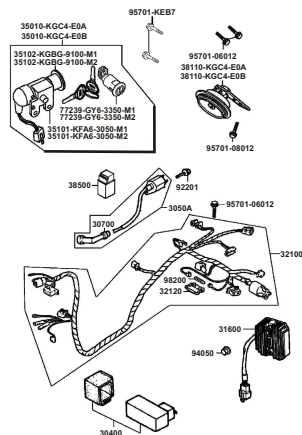
F17 : WINKER

PAGE No.
39



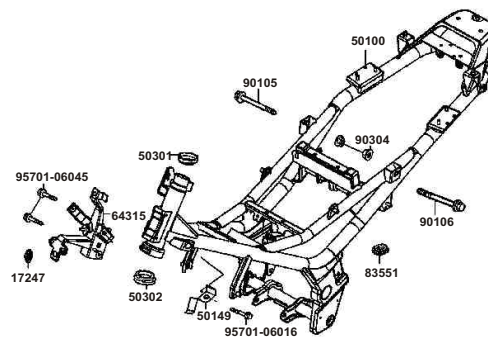
F18 : REAR LIGHT / REAR FENDER

PAGE No.
40



F19 : WIRE HARNESS

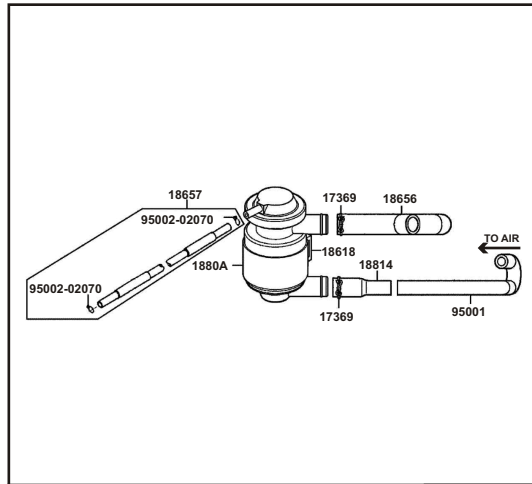
PAGE No.
41



F20 : FRAME BODY

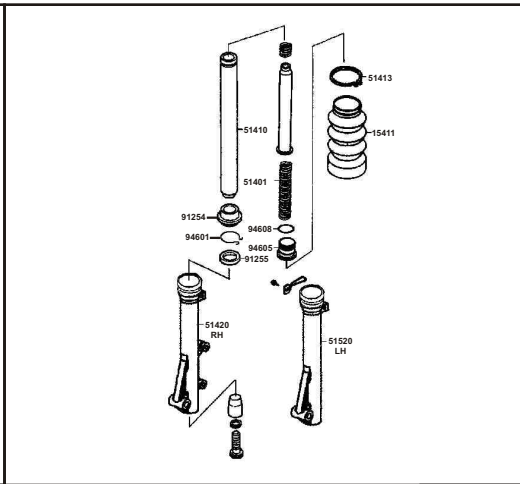
PAGE No.
42

PICTORIAL INDEX



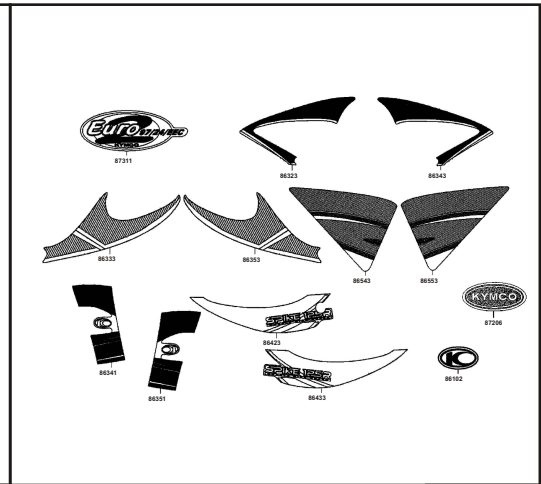
F21 : AIR CLEANER TWO

PAGE No.
43



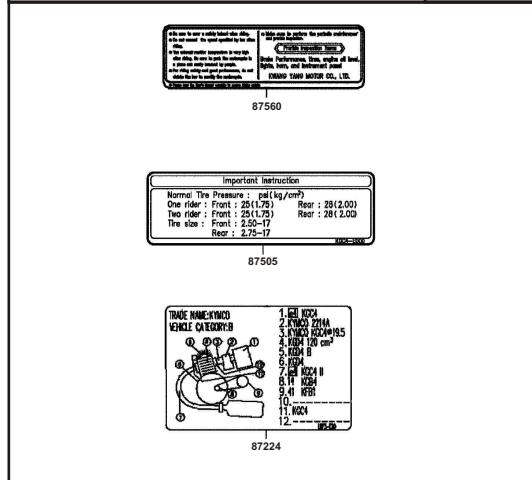
F22 : SEPARATED PARTS OF FR FORK

PAGE No.
44



F23 : EMBLEM / STRIPE

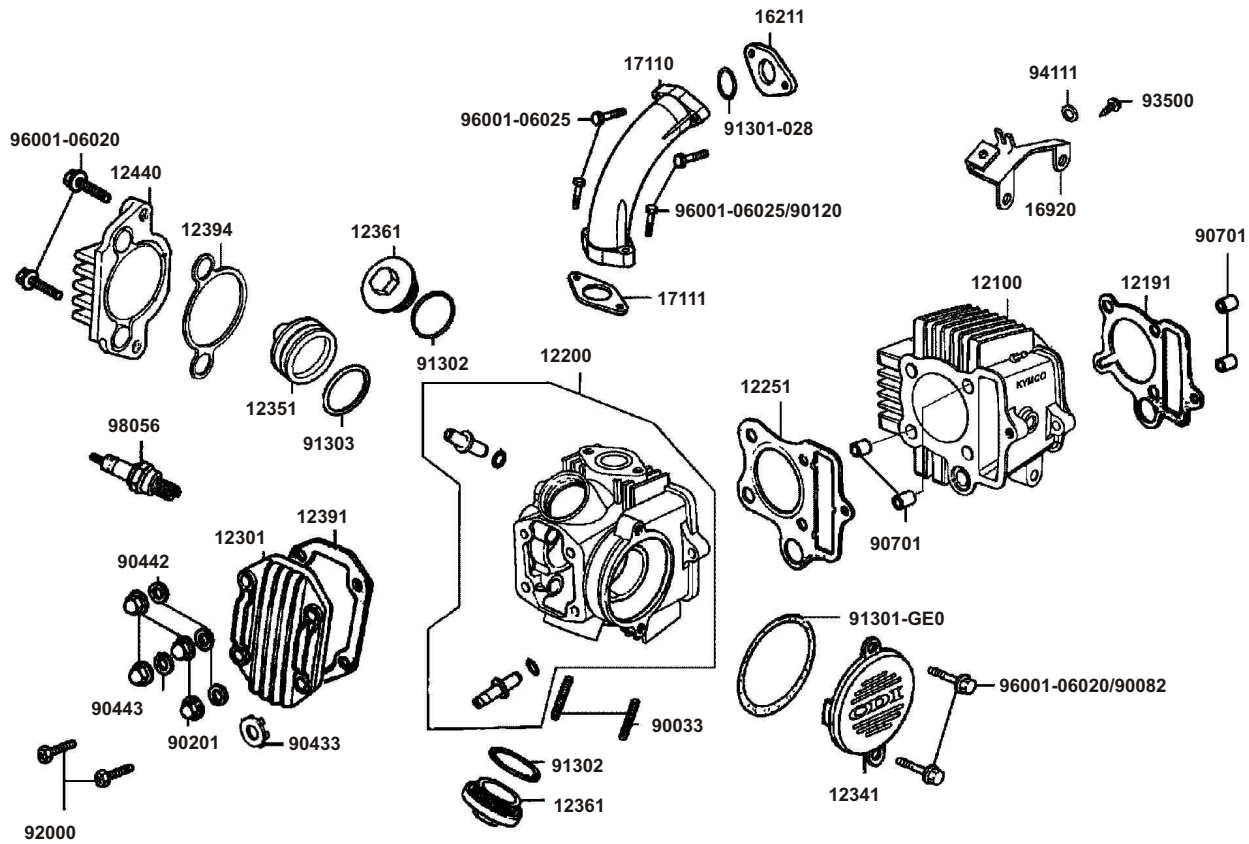
PAGE No.
45 - 46



F24 : CAUTION LABEL

PAGE No.
47

E-1 Cylinder Head Cover / Cylinder Head / Cylinder

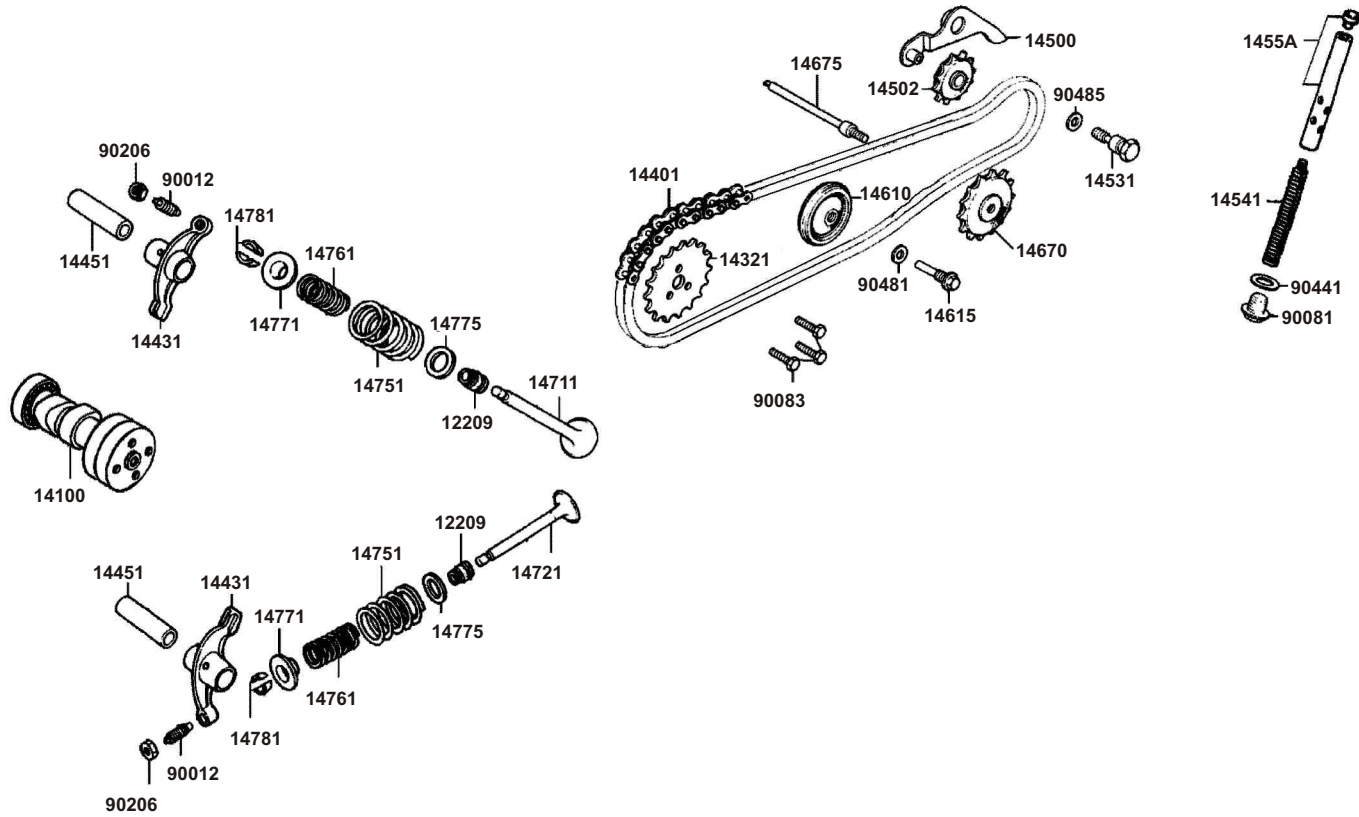


E-1 Cylinder Head Cover / Cylinder Head / Cylinder

PART. No.	VER	Descripción	Qty/.
12100-KGD4-C00	8	CYLINDER COMP	1
12191-KGD4-C00	0	GASKET CYLINDER	1
12200-KGD4-C00	4	HEAD COMP CYLINDER	1
12251-KGC4-E10	0	GASKET CYLINDER HEAD	1
12301-KGB4-C00	0	COVER CYLINDER HEAD	1
12341-KGB4-C00	0	COVER R CYLN HEAD SIDE	1
12351-KGB4-C000	0	STOPPER CAM SHAFT	1
12361-0E35-001	0	HOLE CAP TAPPET ADJUSTING	2
12391-KGB4-C00	1	GASKET CYLN HEAD COVER	1
12394-KGB4-C00	2	O-RING	1
12440-KGB4-C00	4	COVER CYL HEAD SIDE L	1
16211-KGB4-C00	2	INSULATOR CARB	1
16920-KGC4-E00	0	CARBURETOR STAY	1
17110-KGC4-E01	0	PIPE INLET	1
17110-KGC4-E00	4	PIPE INLET (From Dec-05)	1
17111-KGB4-C00	0	GASKET INLET PIPE	1
90033-KGB4-C000	0	BOLT STUD 8*40	2

PART. No.	VER	Descripción	Qty/.
90082-0E35-011	0	BOLT HS 6MM	2
90120-GAR1-J00	0	SOCKET BOLT SPECIAL 6*28	1
90201-KGB4-C00	0	NUT CAP 7MM	4
90433-KGC4-E00	0	WASHER FIXED	1
90442-KGC4-E00	0	WASHER SEALING 7MM	3
90443-KGC4-E00	1	WASHER A SEALING 7MM	1
90701-GF6-0010	0	PIN DOWEL SPECIAL 8*14	4
91301-0H28-001	0	O-RING 27*2	1
91301-KGB4-C00	0	O-RING 64*2.3	1
91302-001-0210	0	O-RING 30.8MM	2
91303-GLE0-001	0	O-RING 28*2	1
92000-06022-0H	0	BOLT HEX 6*22	2
93500-04008-0H	0	SCREW PAN 4*8	1
94111-04800	0	WASHER SPG 4MM	1
96001-06020-08	0	BOLT FLANGE SH 6*20	5
96001-06025-08	0	BOLT FLANGE SH 6*25	4
98056-5771R-00	0	SPARK PLUG (CR7HSA)	1

E-2 Valve/ Shaft Cam/ Chain Cam

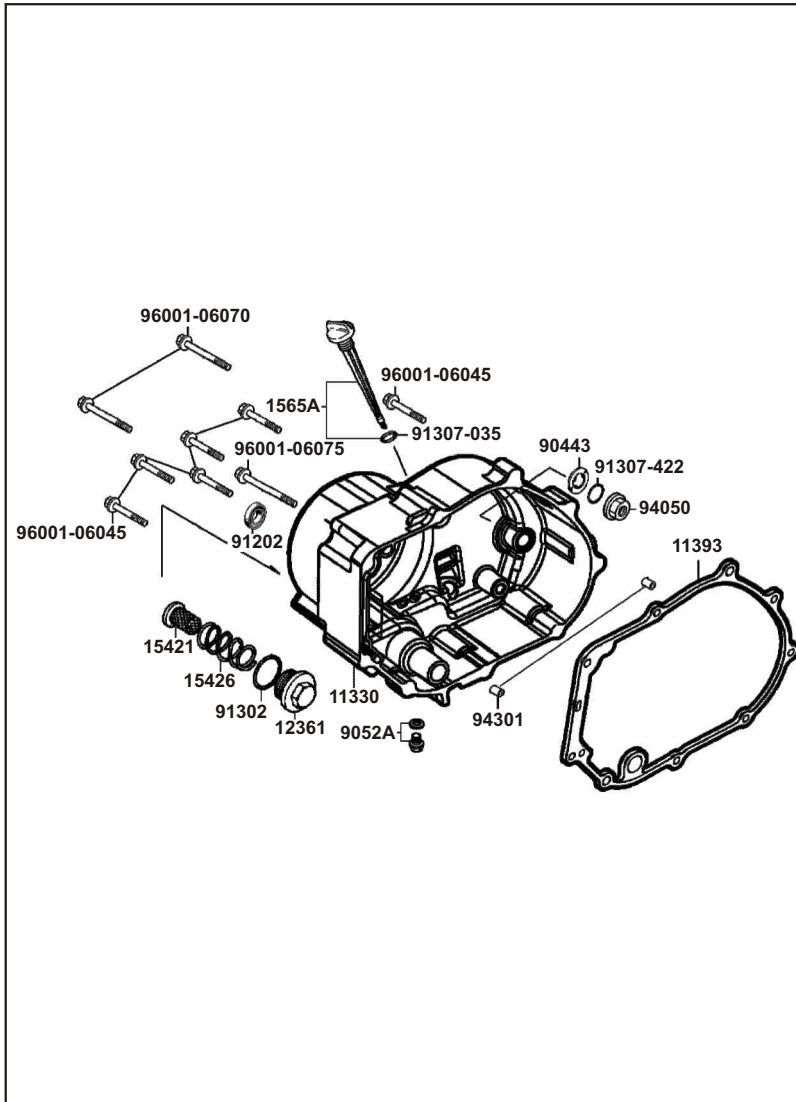


E- 2 Valve/ Shaft Cam/ Chain Cam

PART. No.	VER	Descripción	Qty/.
12209-KGB4-C000	0	SEAL VALVE STEM	2
14100-KGD4-C00	0	SHAFT COMP CAM	1
14321-KGB4-C00	1	SPROCKET CAM	1
14401-KGB4-C00	0	CHAIN CAM	1
14431-KGC4-E00	0	ARM VALVE ROCKER	2
14451-035-0000	3	SHAFT ROCKER ARM	2
14500-KGB4-C00	2	ARM COMP CAM CHAIN TENSIONER	1
14502-086-0000	2	ROLLER CAM CHAIN TENSIONER	1
14531-035-0010	0	PIVOT CAM CHAIN TENSIONER	1
14541-KGC4-E00	0	SPRING TENSIONER	1
1455A-KGD4-C00	0	PUSH ROD ASSY TENSIONER	1
14610-KGC4-E00	0	ROLLER COMP CAM CHAIN	1
14615-GLE0-001	0	PIN GUIDE ROLLER	1
14670-KGD4-C00	0	SPROCKET CAM CHAIN GUIDE	1
14675-KGB4-C00	0	SPINDLE CAM CHAIN GUIDE SPROCK	1
14711-GY6-9010	1	VALVE INLET	1

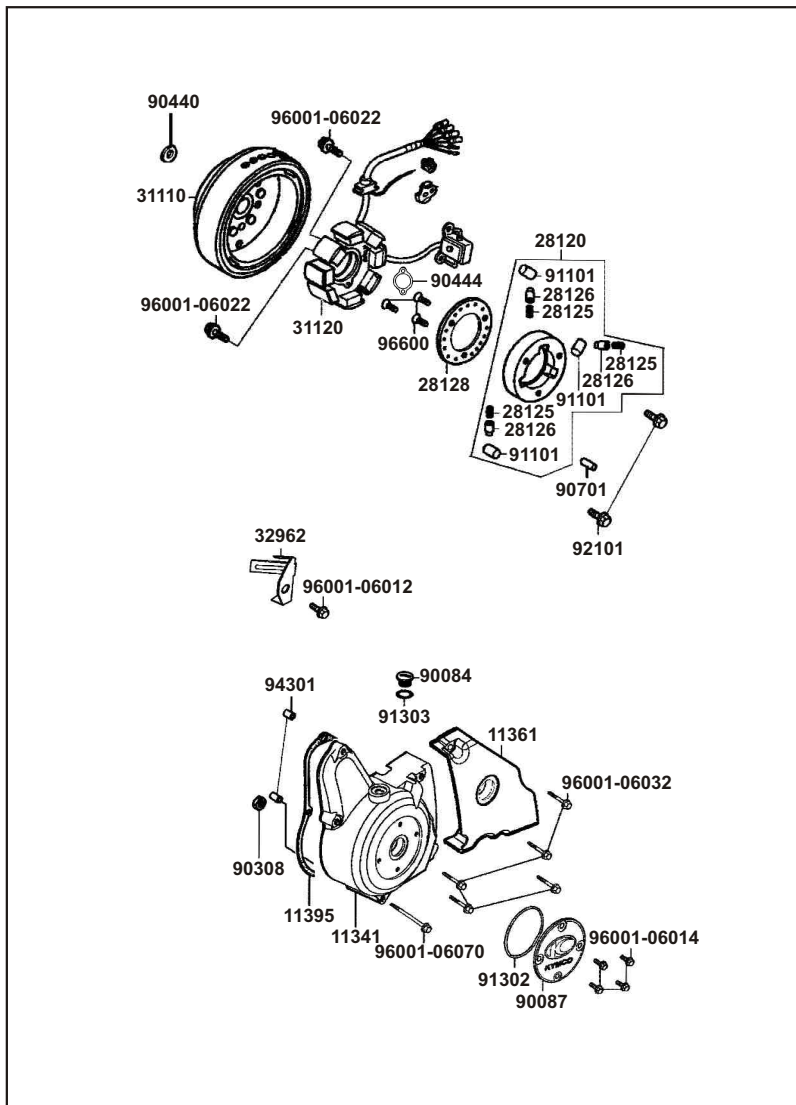
PART. No.	VER	Descripción	Qty/.
14721-GY6-9000	0	VALVE EXHAUST	1
14751-KFBF-900	0	SPRING VALVE OUTER	2
14761-KBF-9000	0	SPRING VALVE INNER	2
14771-GB4-6800	2	RETAINER VALVE SPRING	2
14775-MA6-0000	0	SEAT VALVE SPG OUTER	2
14781-KGB4-C000	0	COTTER VALVE	4
14781-MFA6-001	0	COTTER VALVE (From Dec-05)	4
90012-333-0010	0	SCREW TAPPET ADJUSTING	2
90081-035-0010	0	SEALING BOLT 14MM	1
90083-035-0110	0	BOLT KNOCK 5MM	3
90206-001-0010	0	NUT TAPPET ADJG	2
90206-0A01-001	0	NUT TAPPET ADJG (From Dec-05)	2
90441-035-0000	1	CYLINDER WASHER 14MM	1
90481-035-0010	0	WASHER 8MM	1
90485-KGB4-C00	0	WASHER 8MM	1

E- 3 Right Crankcase Cover



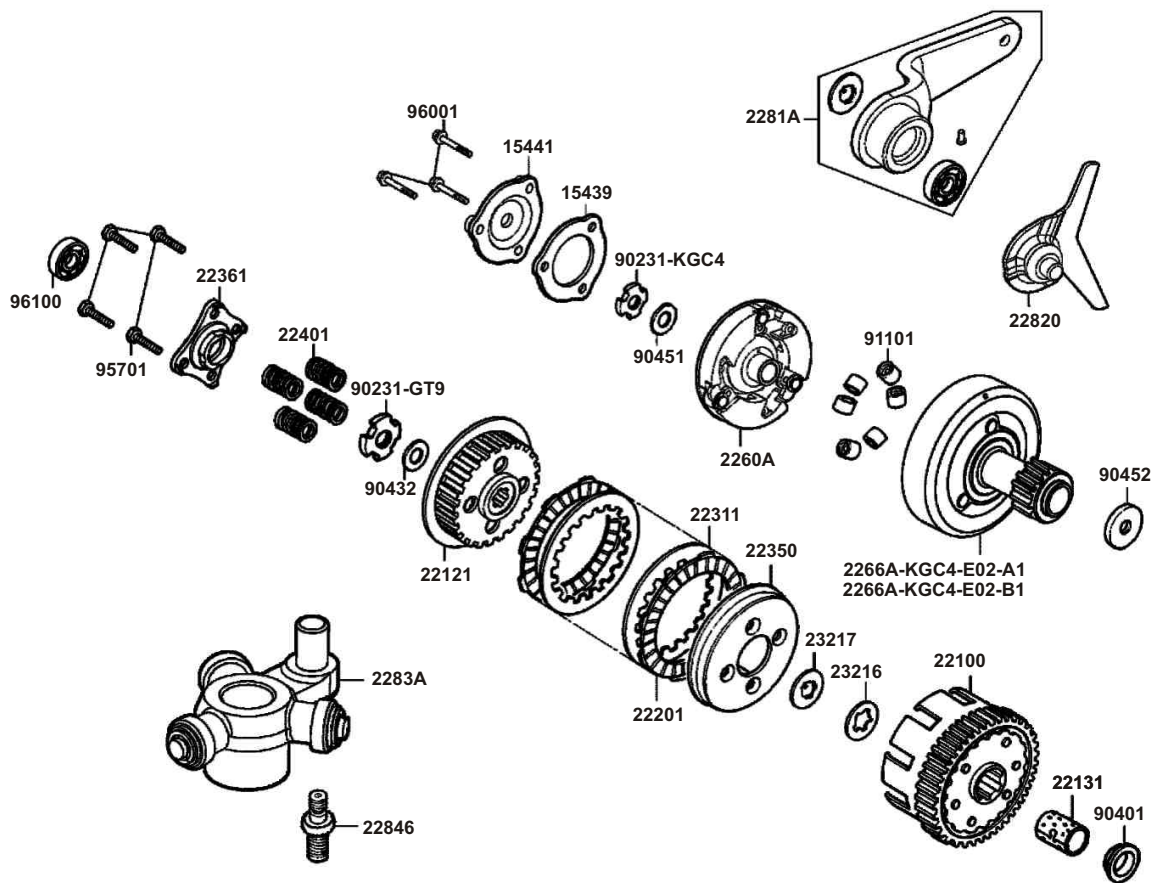
PART. No.	VER	Descripción	Qty./.
11330-KGC4-E00-NGA	0	COVER COMP R CRANK CASE	1
11393-KGC4-E00	3	GASKET RIGHT CRANK CASE COVER	1
12361-KGC4-E00	0	HOLE CAP TAPPET ADJUSTING	1
15421-107-0000	1	SCREEN OIL FILTER	1
15426-GE1-9200	0	SPG OIL FILTER SCREEN	1
1565A-KGC4-E00	0	GUAGE OIL LEVEL ASSY	1
90443-GC8-0010	0	WASHER SPECIAL 8MM	1
9052A-KGB4-C00	0	BOLT ASSY DRAIN PLUG	1
91202-KGB4-C000	0	OIL SEAL 13.7*24*5	1
91302-001-0210	0	O-RING 30.8MM	1
91302-KGB4-C00	0	O-RING 30.8MM (From Dec-05)	1
91307-0E35-001	0	O-RING 18*3	1
91307-4B22-001	0	O-RING 4.8*1.9	1
94050-08080	0	NUT FLANGE 8MM	1
94301-08140	0	DOWEL PIN 8*14	2
96001-06045-08	0	BOLT FLANGE SH 6*45	6
96001-06070-08	0	BOLT FLANGE SH 6*70	2
96001-06075-08	0	BOLT FLANGE SH 6*75	1

E-4 Generator/ Light Crankcase Cover



PART. No.	VER	Descripción	Qty/.
11341-KGD4-C00-NGA	0	COVER LEFT CRANK CASE	1
11361-KGC4-E00-NGA	0	COVER LEFT REAR CRANK	1
11395-KGD4-C00	0	GASKET L COVER	1
28120-KGB4-C00	0	OUTER COMP CLUTCH	1
28125-323-0010	0	SPG ROLLER ST CLUTOH	3
28126-KGB4-C00	0	CAP STARTING ROLLER SPG	3
28128-KGB4-C00	0	STARTING CLUTCH SIDE PLATE	1
31110-KGD4-C00	0	FLYWHEEL COMP	1
31120-KGD4-C00	0	STATOR COMP	1
32962-KGB4-C00	0	CLAMPER PULSER CORD	1
90084-KGC4-E00	0	CAP ACG	1
90087-KGD4-C00	0	CAP	1
90308-357-0010	0	NUT HEX 10MM	1
90440-KGC4-E00	0	WASHER PLAIN 10MM	1
90444-KGC4-E00	1	WASHER A.C.GEN.	1
90701-GY6-9010	0	PIN DOWEL 5*6	1
91101-179-7110-M1	0	ROLLER 10*10	3
91302-567-0040	0	O-RING 27.4*2.4	1
91303-377-0010	0	O-RING 13.8*2.5	1
92101-05012-0H	0	BOLT HEX 5*12	2
94301-10140	0	DOWEL PIN 10*14	2
94301-08140	0	DOWEL PIN 10*14 (From Dec-05)	2
96001-06012-08	0	BOLT FLANGE SH 6*12	1
96001-06014-02	0	BOLT FLANGE SH 6*14	4
96001-06022-08	0	BOLT FLANGE SH 6*22	2
96001-06032-08	0	BOLT FLANGE SH 6*32	5
96001-06070-08	0	BOLT FLANGE SH 6*70	1
96600-06015-10	0	SOCKET BOLT 6*15	3

E-5 Clutch

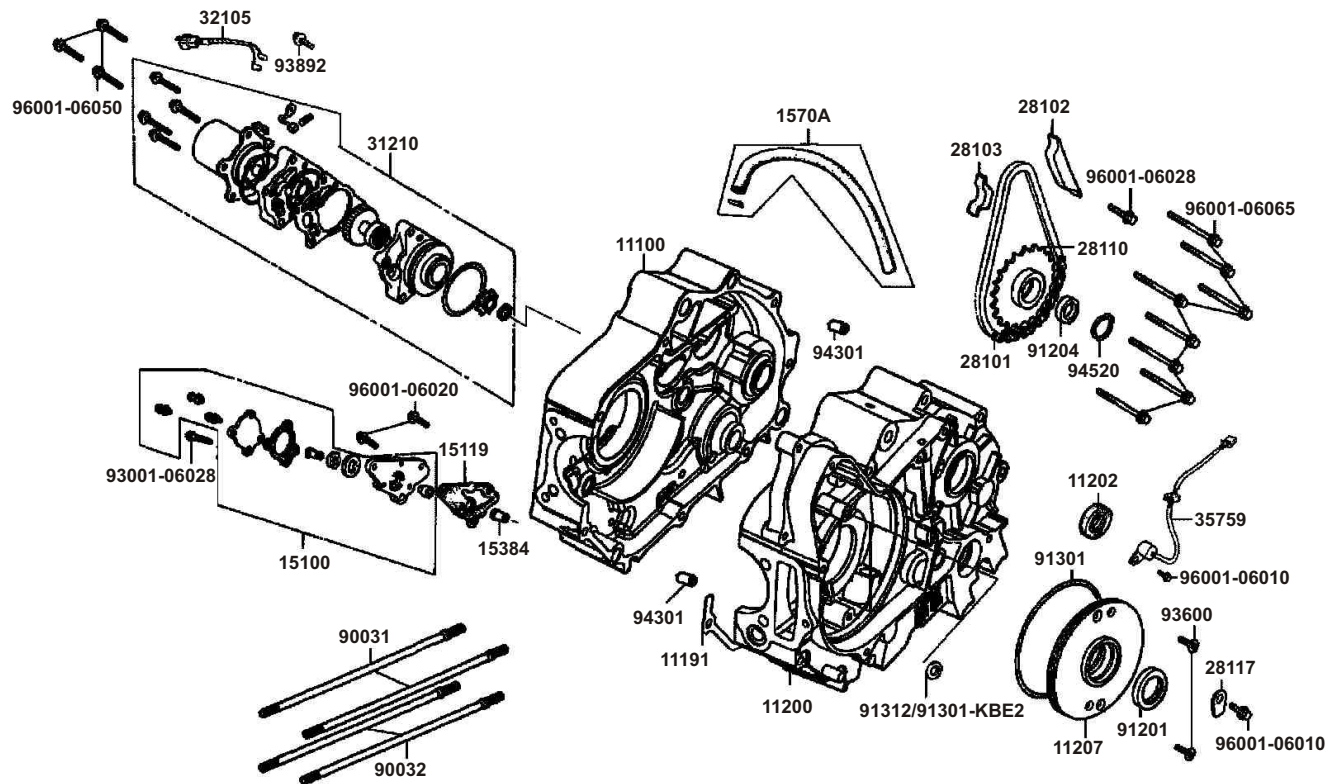


E-5 Clutch

PART. No.	VER	Descripción	Qty/.
15439-KGC4-E00	3	GASKET ROTOR OIL FILTER	1
15441-KGC4-E00	0	COVER ROTOR OIL FILTER	1
22100-KGC4-E01	0	OUTER COMP CLUTCH	1
22121-KGC4-E00	0	CENTER CLUTCH	1
22131-KGC4-E00	0	GUIDE CLUTCH OUTER	1
22201-KGD4-C00	0	DISK CLUTCH FRICTION	5
22311-107-0010	0	PLATE CLUTCH	4
22350-KGB4-C000	0	PLATE CLUTCH PRESSURE	1
22361-KGB4-C000	0	PLATE CLUTCH LIFTER	1
22401-KGD4-C00	0	SPRING CLUTCH	4
2260A-KGC4-E01	0	PRIMARY CLUTCH ASSY	1
2266A-KGC4-E02-A1	0	PRIMARY DRIVE GEAR ASSY	1
2266A-KGC4-E02-B1	0	PRIMARY DRIVE GEAR ASSY	1
2281A-KGC4-E00	3	ARM CLUTCH LEVEL	1
22820-KGC4-E00	4	CLUTCH LIFT COMP	1

PART. No.	VER	Descripción	Qty/.
2283A-KGC4-E00	0	CLUTCH LIFTER BOSS ASSY	1
22846-KGC4-E00	0	CLUTCH ADJUSTING BOLT	1
23216-KGB4-C000	0	WASHER SPLINE 17MM	1
23217-KGB4-C000	0	WASHER FIXED	1
90231-GT9-0010	0	NUT LOCK B 14 MM	1
90231-KGC4-E00	0	NUT LOCK 12MM	1
90401-KGB4-C00	0	WASHER 17.4MM	1
90432-086-0010	0	WASHER LOCK B	1
90451-KGC4-E00	0	THRUST WASHER 12MM	1
90452-KGC4-E00	0	THRUST WASHER 19MM	1
91101-039-0010-M1	0	ROLLER 8*10	6
95701-06022-08	0	BOLT FLANGE 6*22	4
96001-06014-08	0	BOLT FLANGE SH 6*14	3
96100-60010-00	0	BEARING BALL RADIAL 6001	1

E-6 Crank Case/ Starting Motor/ Oil Pump

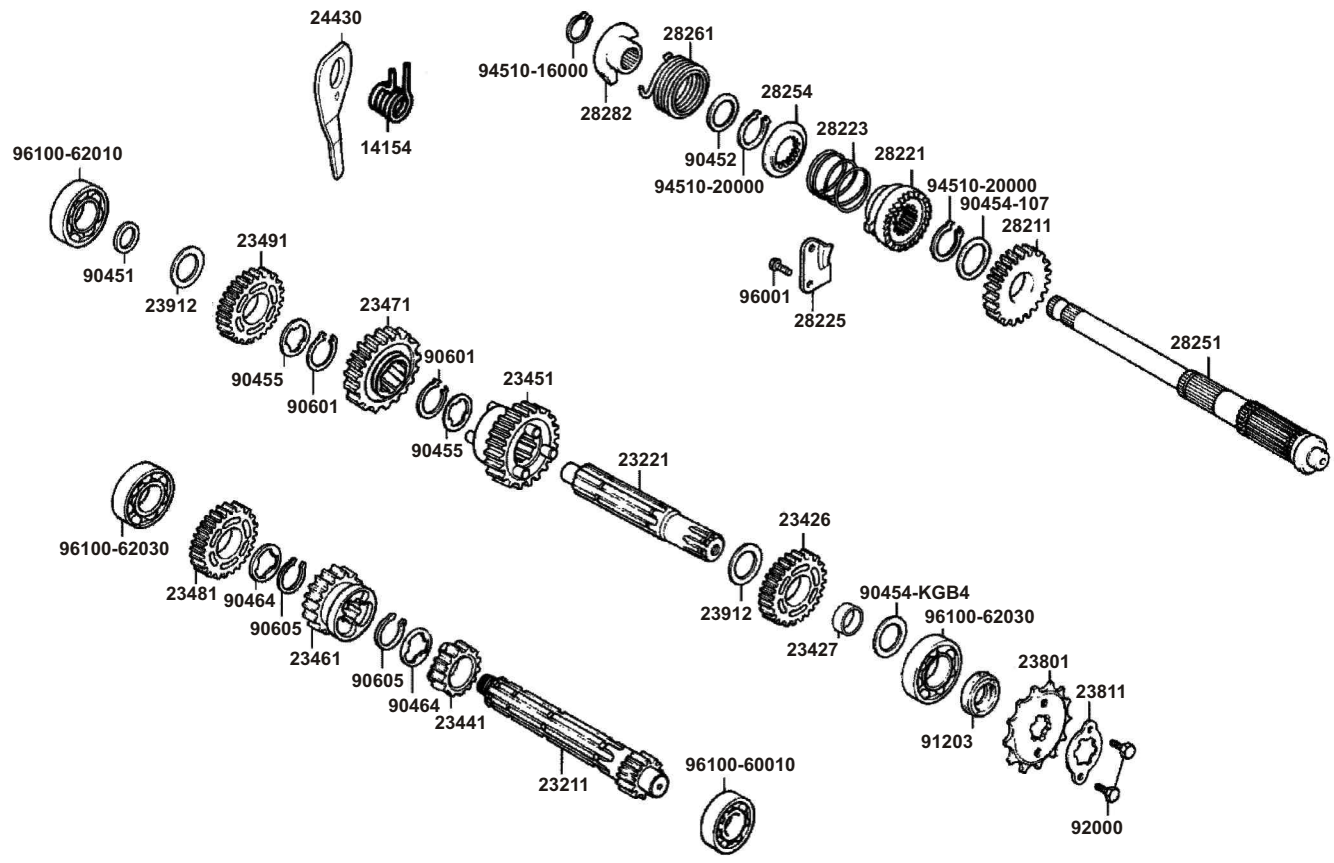


E-6 Crank Case/ Starting Motor/ Oil Pump

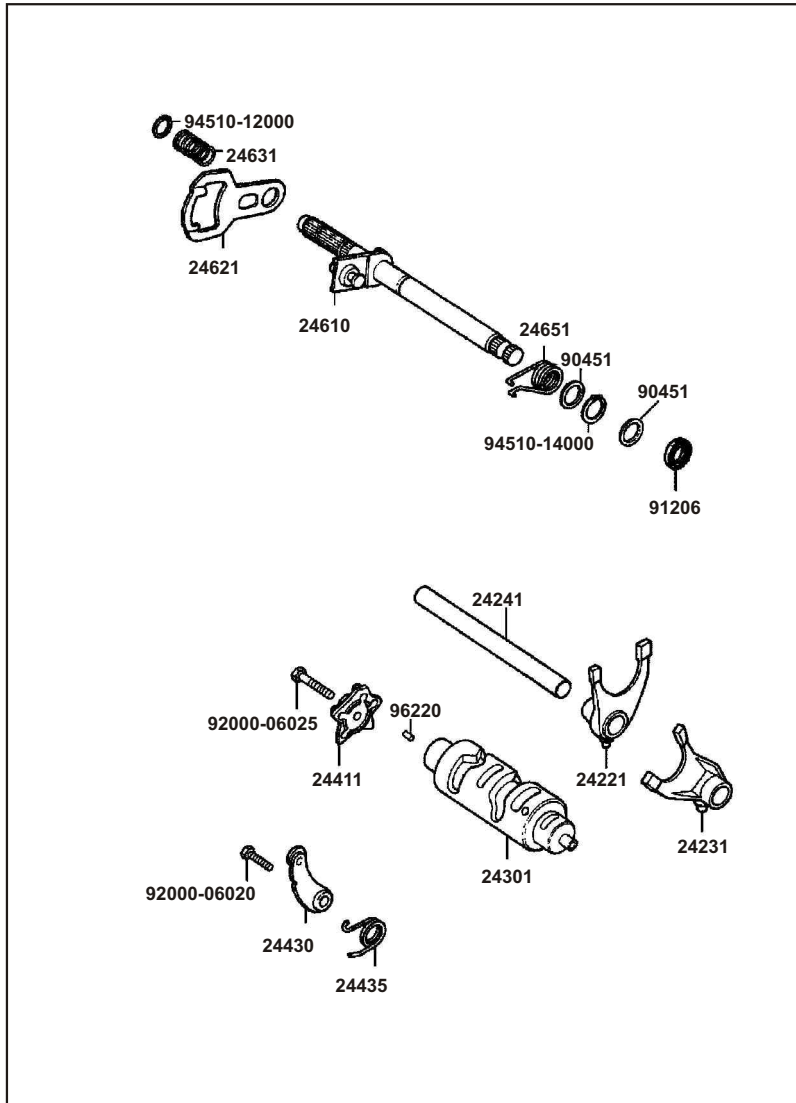
PART. No.	VER	Descripción	Qty/.
11100-KGC4-E00	0	CRANK CASE COMP RIGHT	1
11191-KGB4-C00	1	GASKET CRANK CASE	1
11200-KGC4-E00	0	CRANK CASE COMP LEFT	1
11202-KGD4-C00	0	BUSH L 56MM	1
11207-KGB4-C00	0	PLATE CRANK CASE L	1
15100-KGC4-E00	0	OIL PUMP ASSY	1
15119-KGC4-E00	0	OIL PUMP BODY GASKET	1
15384-KGB4-C00	0	PIVOT OIL PUMP	1
1576A-KGC4-E00	0	TUBE ASSY	1
28101-KGB4-C00	0	CHAIN STARTER	1
28102-KGB4-C00	0	GUIDE STARTER CHAIN	1
28103-KGB4-C00	0	PROTECTOR STARTER CHAIN	1
28110-KGB4-C00	0	STARTER SPROCKET	1
28117-KGB4-C00	0	GUIDE SPROCKET DRIVE	1
31210-KGD4-C00	0	MOTOR UNIT START	1
32105-KGD4-C00	0	SUB HARNESS	1
35759-KGC4-E00	3	SW ASSY GEAR CHANGE	1

PART. No.	VER	Descripción	Qty/.
90031-KGB4-C000	4	BOLT A STUD 7*198	2
90032-KGB4-C000	4	BOLT B STUD 7*190	2
91201-KGB4-C00	0	OIL SEAL 30*42*4.5	1
91204-KGB4-C00	0	OIL SEAL 18.9*28*5	1
91301-KBE2-710		O-RING 6.8*1.9 (From Dec-05)	1
91301-KGB4-C00	0	O-RING 107*2	1
91312-107-0010	0	O-RING 7*1.7	2
93600-06016-0A	0	SCREW FLAT 6*16	2
93892-04006-08	0	SCREW WASHER 4*6	1
94301-10140	0	DOWEL PIN 10*14	2
94520-28000	0	CIR CLIP IN 28	1
96001-06010-08	0	BOLT FLANGE SH 6*10	2
96001-06020-08	0	BOLT FLANGE SH 6*20	2
96001-06028-08	0	BOLT FLANGE SH 6*28	2
96001-06050-08	0	BOLT FLANGE SH 6*50	3
96001-06065-08	0	BOLT FLANGE SH 6*65	8

E-7 Transmission

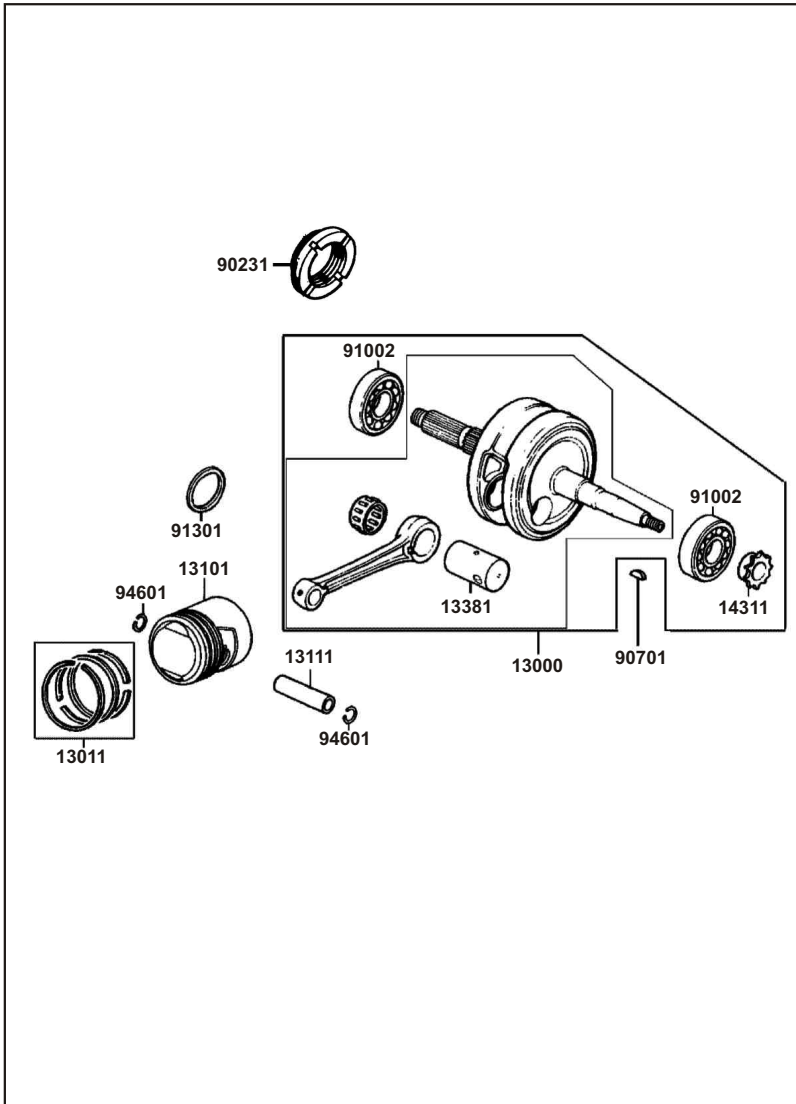


E-8 Spindle Gear Shift



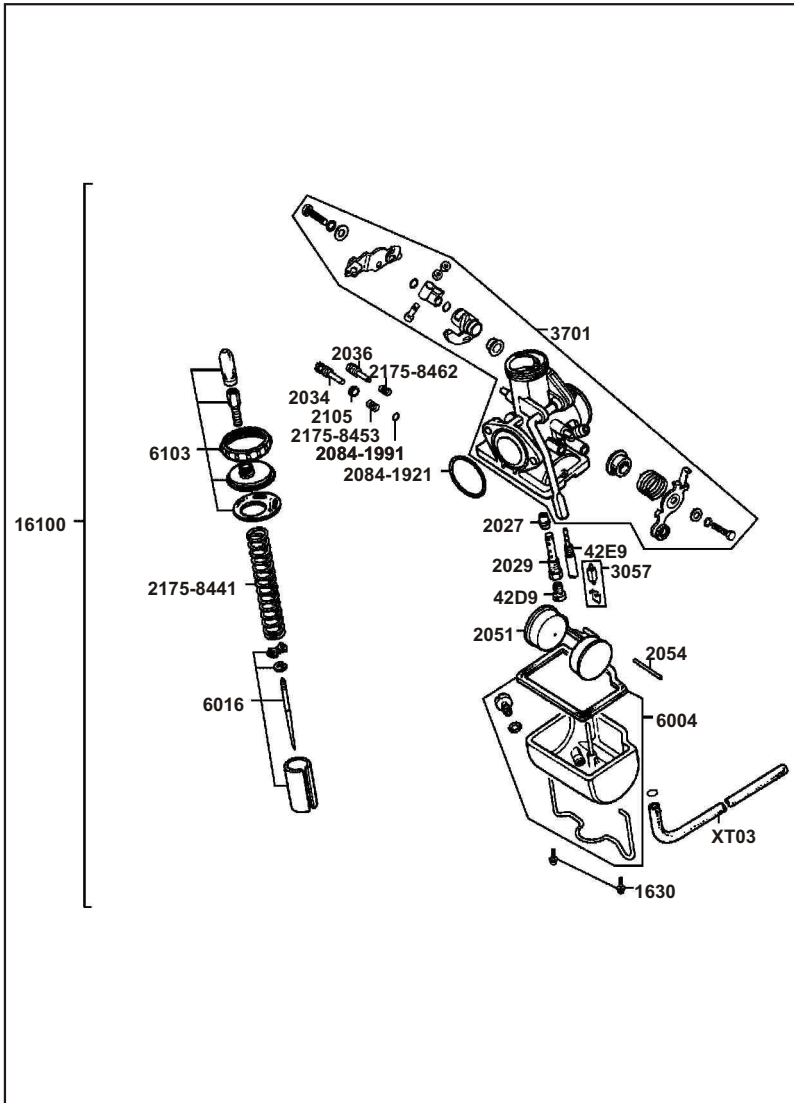
PART. No.	VER	Descripción	Qty/.
24221-KGB4-C00	0	FORK LEFT GEAR SHIFT	1
24231-KGB4-C00	0	FORK CENTER GEAR SHIFT	1
24241-KGB4-C00	0	SHAFT GEAR SHIFT FORK GUIDE	1
24301-KGC4-E00	0	DRUM GEAR SHIFT	1
24411-3D24-004	0	CAM GEAR SHIFT	1
24430-3D24-001	0	STOPPER COMP GEAR SHIFT	1
24435-3C83-011	0	SPG SHIFT DRUM STOPPER	1
24610-KGC4-E00	4	SPINDLE SET GEAR SHIFT	1
24621-1G07-761	0	PLATE GEAR SHIFT	1
24631-1G07-001	0	SPRING GEAR SHIFT PLATE	1
24651-3H98-941	0	SPRING GEAR SHIFT RETURN	1
90451-0A01-001	0	WASHER THRUST 14M/M	2
91206-KGB4-C00	0	OIL SEAL 14*28*7	1
92000-06020-0H	0	BOLT HEX 6*20	1
92000-06025-0H	0	BOLT HEX 6*25	1
94510-12000	0	CIR CLIP EX 12	1
94510-14000	0	CIR CLIP EX 14	1
96220-40100	0	ROLLER 4*10	1

E-9 Crankshaft/ Piston



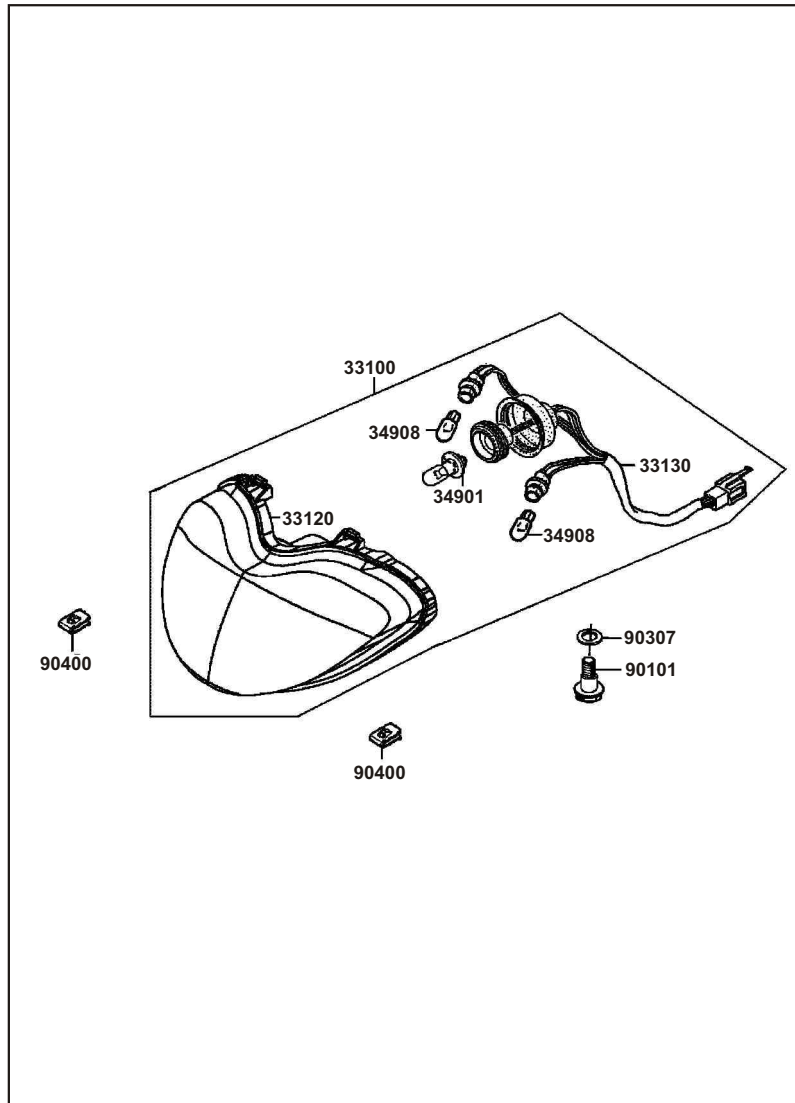
PART. No.	VER	Descripción	Qty/.
13000-KGC4-E00	7	CRANK SHAFT COMP	1
13011-KGD4-C10	0	RING ASSY PISTON	1
13101-KGD4-C00	0	PISTON	1
13111-KGD4-C00	0	PIN PISTON	1
13381-KGD4-C00	0	PIN CRANK	1
14311-KGD4-C00	0	SPROCKET TIMING	1
90231-KGC4-E00	0	NUT LOCK 12 MM (From Dec-05)	1
90701-HB6-0110	0	KEY WOODRUFF 25*14*4	1
91002-GY6-9010-M1	0	BRG BALL RADIAL 63/22	2
91301-027-001	0	O-RING 6.8*1.9	1
94601-15000-M1	0	CLIP PISTON PIN 16MM	1

E-10 Carburetor



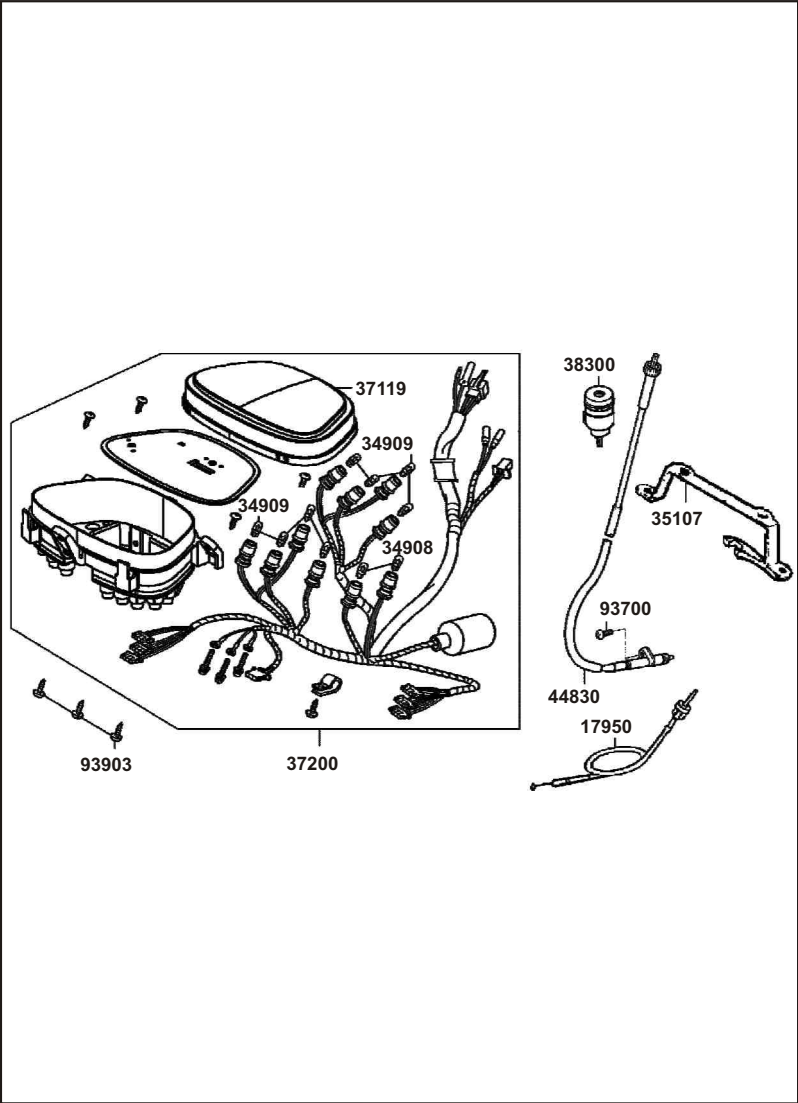
PART. No.	VER	Descripción	Qty/.
16100-KGC4-E00	0	CARBURETOR ASSY	1
16100-KGC4-M40	0	CARBURETOR ASSY (From Dec-05)	1
1630-4014	0	SCREW CHAMBER SET	2
2027-0971	0	JET NEEDLE	1
2029-2531	0	TUBE EMULSION	1
2029-2532	0	TUBE EMULSION (From Dec-05)	1
2034-2795	0	SCREW SLOW ADJUST	1
2036-1643	0	SCREW TH. ADJUST	1
2051-1141	0	FLOAT	1
2051-1142	0	FLOAT (From Dec-05)	1
2054-0681	0	PIN FLOAT	1
2084-1921	0	O-RING	1
2084-1991	0	O-RING	1
2105-4571	0	WASHER	1
2175-8441	0	SPRING TH. RETURN	1
2175-8453	0	SPRING SLOW ADJ. SCREW	1
2175-8462	0	SPRING TH. ADJ. SCREW	1
3057-0504	0	VALVE ASSY FLOAT	1
3701-3992	0	BODY ASSY	1
42D9-0801	0	JET MAIN	1
42D9-0721	0	JET MAIN N° 72	1
42D9-1801	0	JET MAIN N° 82 (From Dec-05)	
42E9-0351	0	JET SLOW	1
42E9-1353	0	JET SLOW (From Dec-05)	1
6004-5983	0	CHAMBER ASSY FLOAT	1
6016-3339	0	VALVE ASSY THROTTLE	1
6103-0421	0	CAP ASSY MIXING CHAMBER	1
XT03-0631	0	HOSE RUBBER	1

F-1 Head Light



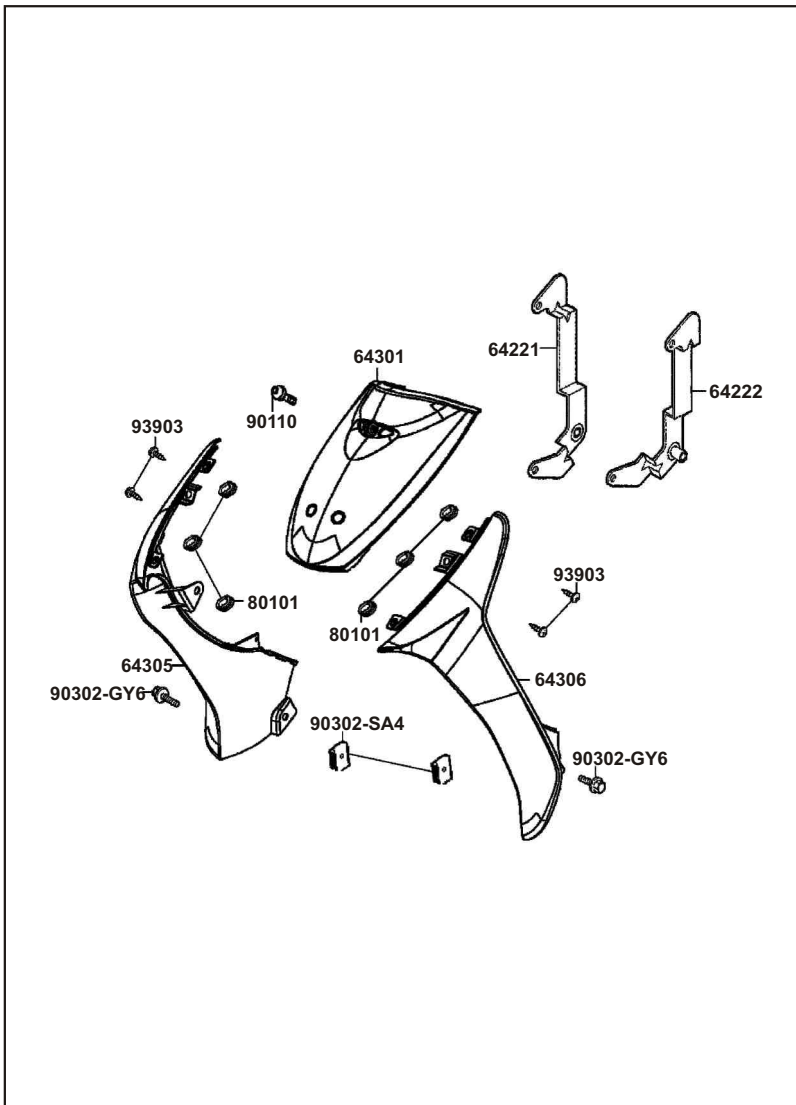
PART. No.	VER	Descripción	Qty/.
33100-KGC4-E00	0	LIGHT ASSY HEAD	1
33120-KGC4-E00	0	UNIT HEAD LIGHT	1
33130-KGC4-E00	0	SOCKET COMP POSITION	1
34901-KFA6-9000	0	BULB HEAD LIGHT	1
34908-KCU-9000	0	BULB POSITION	2
90101-GJ6-0000	2	BOLT ADJUST	1
90307-GJ6-0040	0	WASHER LOCK 6MM	1
90400-KDT-9000	0	CLIP SPRING	2

F-2 Speedometer



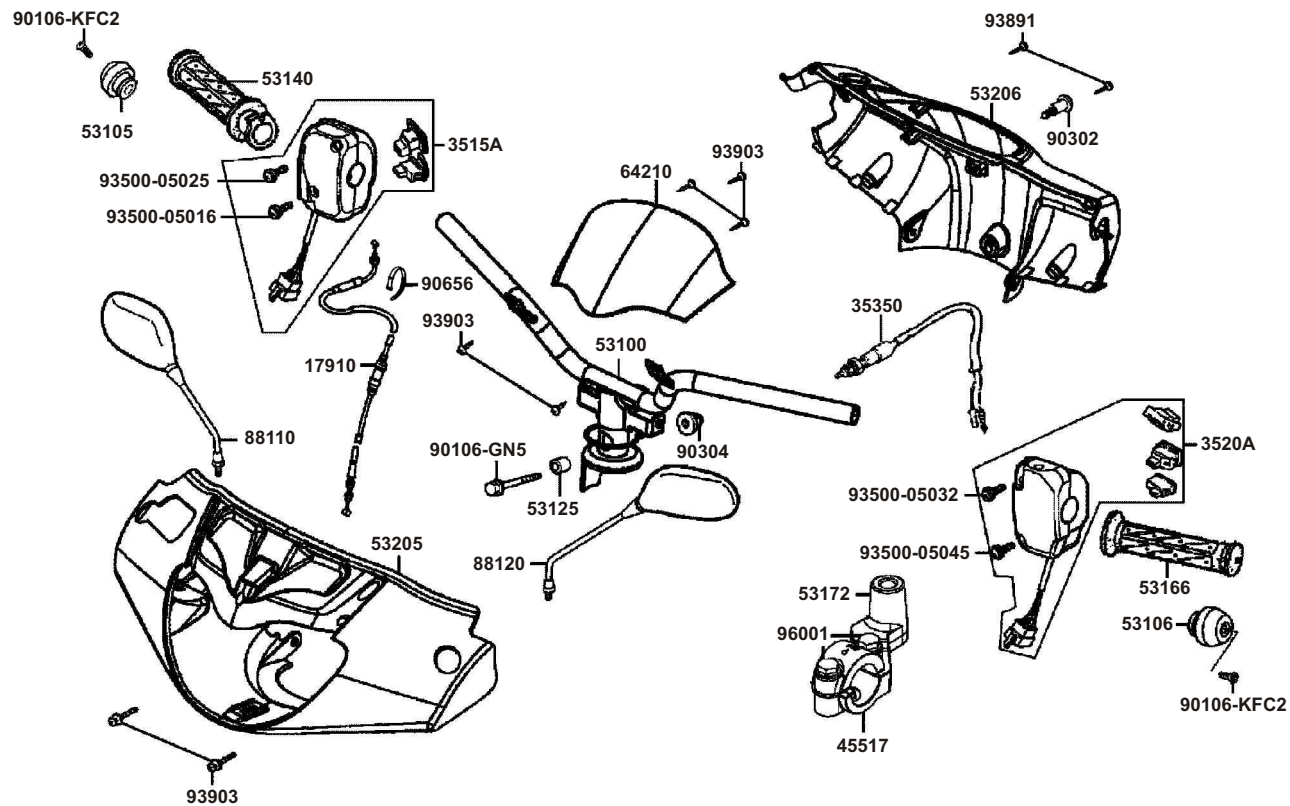
PART. No.	VER	Descripción	Qty/.
17950-KGC4-E00	0	CABLE COMP CHOKE	1
34908-MB9-8710-M1	0	BULB WEDGE BASE	2
34909-KBE-9000	0	BULB WEDGE BASE T6.5	8
35107-KE2-9800	2	STAY COMB SW COVER SET	1
37119-KGC4-E0B	0	LENS	1
37200-KGC4-E00	5	METER ASSY SPEED	1
38300-GW0-C110	0	RELAY ASSY WINKER	1
44830-KGC4-E00	0	CABLE COMP SPDMT	1
93700-05018-0H	0	SCREW OVAL 5*18	1
93903-35220	0	SCREW TAPPING 5*12	3

F-3 Front Cover

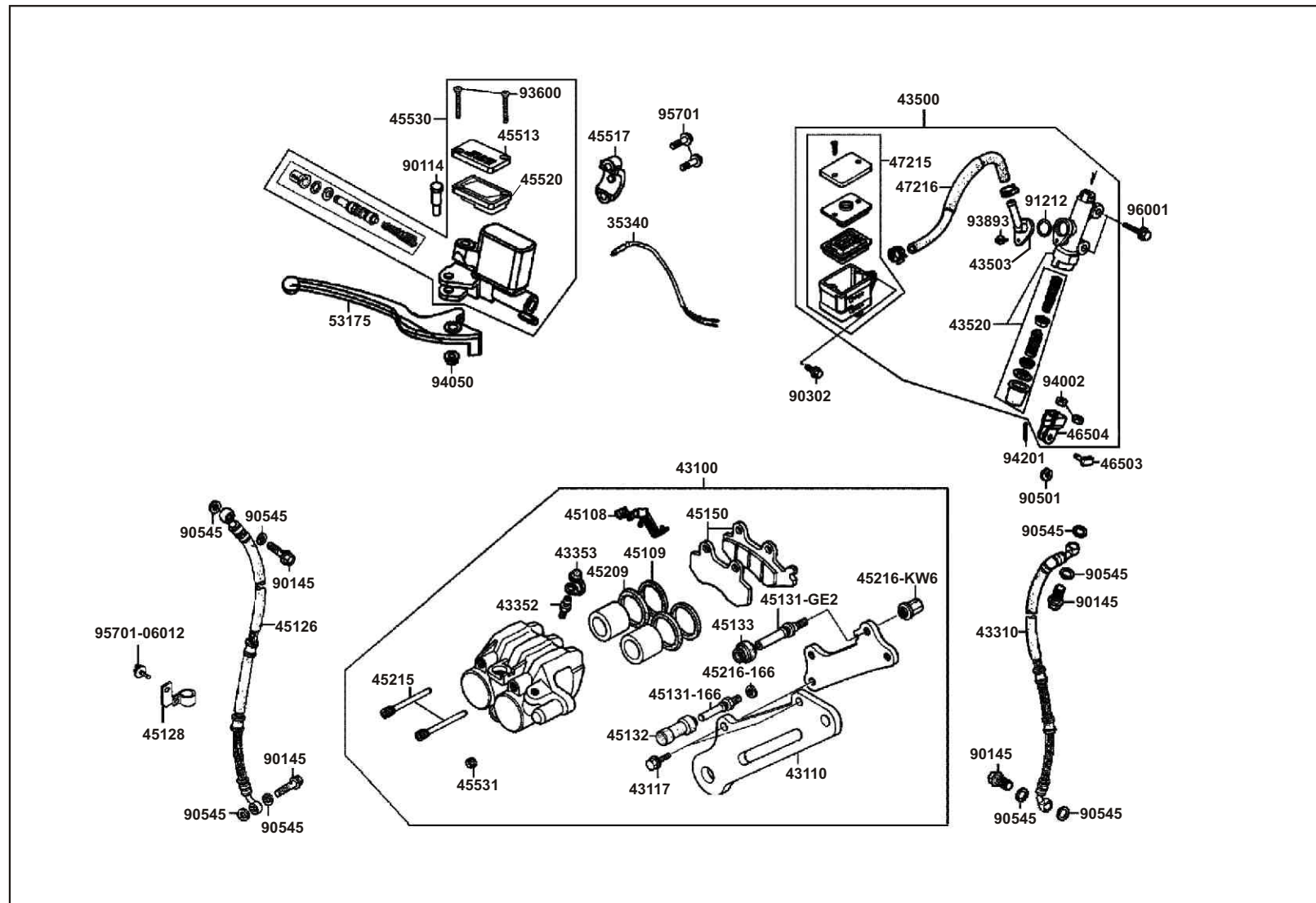


PART. No.	VER	Descripción	Qty/.
64221-KGC4-E01	0	STAY R FR COWL	1
64222-KGC4-E00	0	STAY L FR COWL	1
64301-KGC4-E00-B4P	3	COVER FR (Blue Metallic)	1
64301-KGC4-E00-HJP	0	COVER FR (Mat Black Metallic)	1
64301-KGC4-E00-N8P	3	COVER FR (Bright Silver)	1
64301-KGC4-E00-R6P	3	COVER FR (Red)	1
64301-KGC4-E00-YFP	3	COVER FR (Orange)	1
64305-KGC4-E00-B4P	0	SKIRT R SIDE (Blue Metallic)	1
64305-KGC4-E00-HJP	0	SKIRT R SIDE (Mat Black Metallic)	1
64305-KGC4-E00-N1P	0	SKIRT R SIDE (B. Silver, Red & Orange)	1
64306-KGC4-E00-B4P	0	SKIRT L SIDE (Blue Metallic)	1
64306-KGC4-E00-HJP	0	SKIRT L SIDE (Mat Black Metallic)	1
64306-KGC4-E00-N1P	0	SKIRT L SIDE (B. Silver, Red & Orange)	1
80101-KDU-B000-IN	0	RUBBER FR NUMBER	6
90110-GW0-0010	0	SCREW SPECIAL 6*14	1
90302-GY6-9010	0	BOLT WASHER 5*12	2
90302-SA4-0040	1	NUT SPRING 4MM	2
93903-34380	0	SCREW TAPPING 4*12	4

F-4 Handle Steering/ Handle Cover



F-5 Brake Master Cylinder

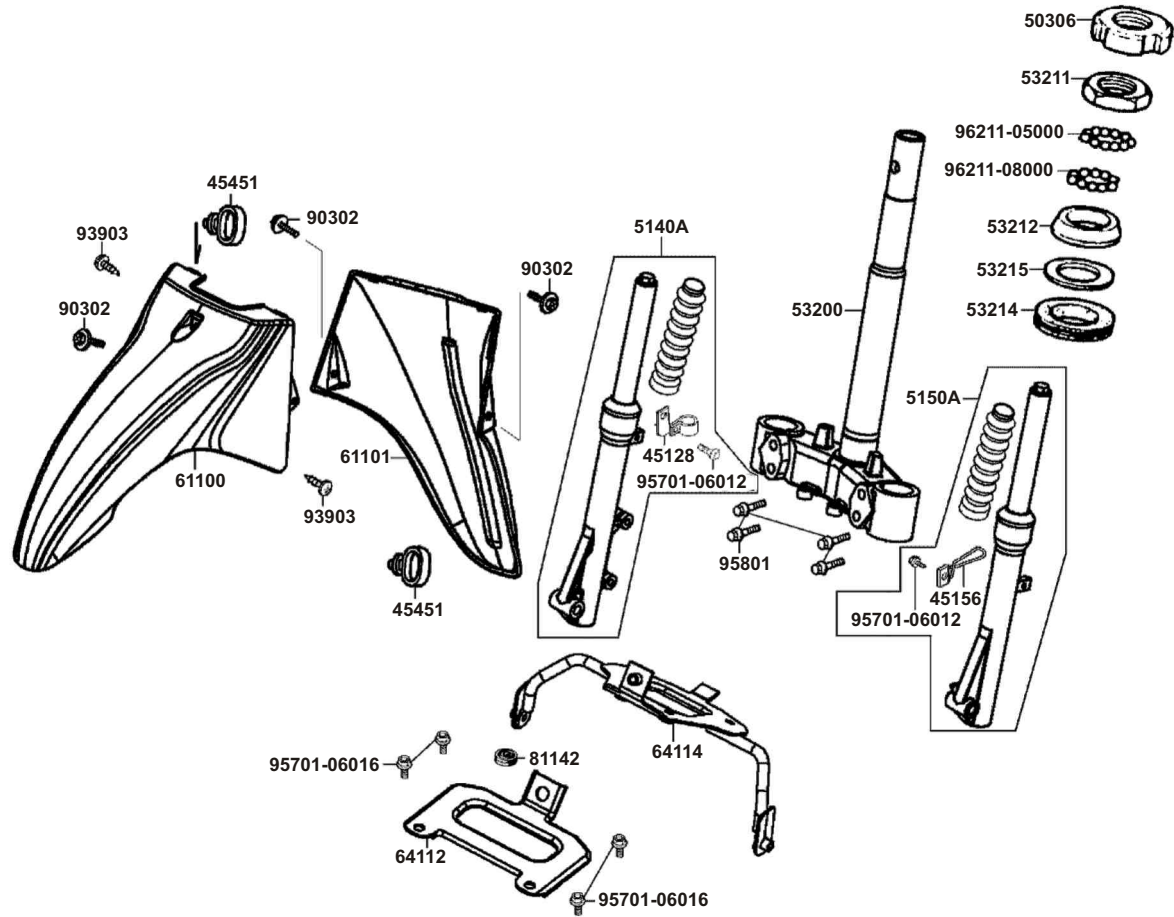


F-5 Brake Master Cylinder

PART. No.	VER	Descripción	Qty/.
35340-KBN-9000	0	SW ASSY FR STOP	1
43100-KGC4-E01-YAA	0	CALIPER ASSY RR	1
43110-KGC4-E01	0	HOLDER	1
43117-KW6-90B	0	BOLT FLANGE	2
43310-KGC4-E01	0	HOSE RR BRAKE	1
43352-568-0030	3	SCREW BLEEDER	1
43353-461-7710-M1	0	CAP BLEEDER	1
43500-KGC4-E01	2	M/C ASSY REAR	1
43503-KGC4-E01	1	CONNECTOR	1
43520-KGC4-305	0	PISTON SET M/C	1
45108-ML4-0060	2	PAD SPG	1
45109-GE2-0060	0	DUST SEAL	2
45126-KGC4-E00	0	HOSE ASSY FR BRK	1
45128-KGC4-E01	1	CLAMPER FR BRAKE HOSE	1
45131-166-0160	0	PIN BOLT	1
45131-GE2-0060	0	PIN BOLT A	1
45132-166-0160	0	BUSH BOOT PIN	1
45133-MA3-0060	0	BOOT B	1
45150-LLB5-3050	0	PAD COMP	1
45209-GE2-0060	0	SEAL PISTON	2
45215-KECE-900	0	PIN HANGER	2
45216-1F66-007	0	WASHER WAVE	1
45216-KFW6-90A	0	TORQUE NUT	1

PART. No.	VER	Descripción	Qty/.
45513-GLW0-91A	0	CAP MASTER CYLINDER	1
45517-KFAF-910	0	HOLDER M/C	1
45520-GLW0-91A	0	DIAPHRAGM	1
45530-KGC4-305	0	CYLINDER ASSY FR (MASTER)	1
45531-GAR1-951	0	PLUG	1
46503-KCW3-001	0	PIN COMP BRK ROD	1
46504-MBB2-007	0	JOINT BRK ROD	1
47215-KHD6-900	0	OIL CUP	1
47216-KGC4-E01	0	OIL HOSE	1
53175-KEBE-900-M2A	0	LEVER R STRG HNDL	1
90114-1F66-007	1	BOLT HANDLE LEVER	1
90145-MS9-6120-M1	0	OIL BOLT 10*22	4
90302-GY6-9010	0	BOLT-WASH 5*12	1
90501-3L10-001	0	WASHER 7*12	1
90545-3L00-001	2	WASHER OIL BOLT	8
91212-4B22-007	0	O-RING 14.8*2.4	1
93600-04012-1G	0	SCREW FLAT 4*12	2
93893-04012-18	0	SCREW WASHER 4*12	1
94002-08000-0S	0	NUT HEX 8MM	2
94050-06080	0	NUT FLANGE 6MM	1
94201-20120	0	PIN SPLIT 2*12	1
95701-06012-08	0	BOLT FLANGE 6*12	1
95701-06022-07	0	BOLT FLANGE 6*22	2
96001-06020-07	0	BOLT FLANGE SH 6*20	2

F-6 Front Cushion

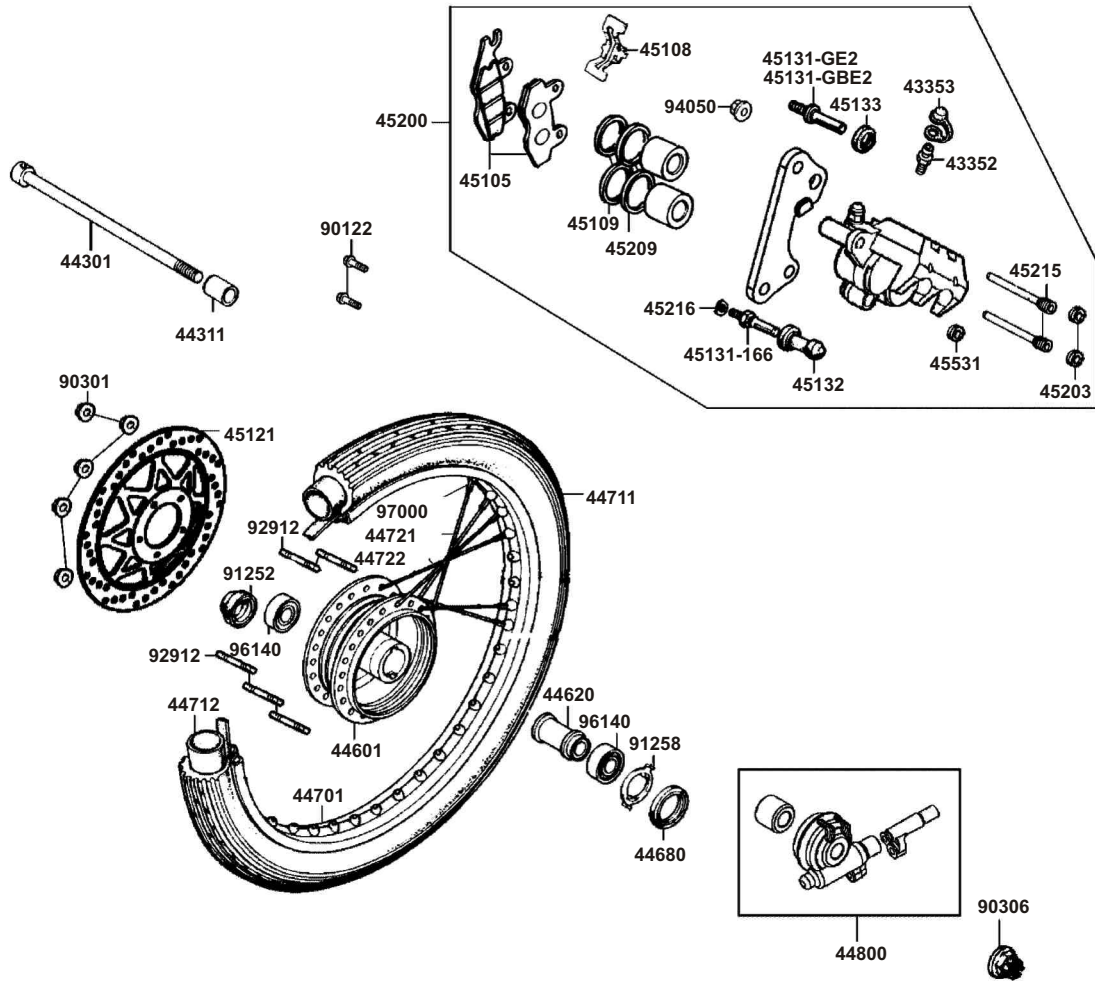


F-6 Front Cushion

PART. No.	VER	Descripción	Qty/.
45128-KFC9-9000	0	CLAMPER FR BRAKE HOSE	1
45156-KCE-9000	1	CLAMPER FR BRK CABLE	1
45451-471-0010	1	GROMMET WIRE	2
50306-196-0010	0	NUT STRG STEM LOCK	1
5140A-KGC4-E00	0	FORK SET FR R	1
5150A-KGC4-E00	0	FORK SET L FR	1
53200-KGC4-E00	0	STEM COMP STRG	1
53211-GY6-9400	0	RACE STRG TOP CONE	1
53212-250-0110	0	RACE (STRG BOTTOM) CONE	1
53212-2L50-011	0	RACE CONE (From Dec-05)	1
53214-250-0010	0	DUST SEAL STRG (HEAD)	1
53215-250-0010	0	WASH STRG HDL DUST-SEAL	1
61100-KGC4-E00-N8P	0	FENDER A FR (Bright Silver)	1
61100-KGC4-E00-R6P	0	FENDER A FR (Red)	1

PART. No.	VER	Descripción	Qty/.
61100-KGC4-E00-B4P	0	FENDER A FR (Blue Metallic)	1
61100-KGC4-E00-HJP	0	FENDER A FR (Mat Black Metallic)	1
61100-KGC4-E00-YFP	0	FENDER A FR (Orange)	1
61101-KGC4-E00-N1R	0	FENDER B FR	1
64112-KGC4-E00	0	STAY A FR FENDER	1
64114-KGC4-E00	0	STAY B FR FENDER	1
81142-KLC-9000	0	RUBBER LID STOPPER	1
90302-GY6-9010	0	BOLT-WASH 5*12	3
93903-34380	0	SCREW TAPPING 4*12	2
95701-06012-08	0	BOLT FLANGE 6*12	2
95701-06016-08	0	BOLT FLANGE 6*16	4
95801-08045-08	0	BOLT FLANGE 8*45	4
96211-05000	0	BALL STEEL 5	26
96211-08000	0	BALL STEEL 8	19

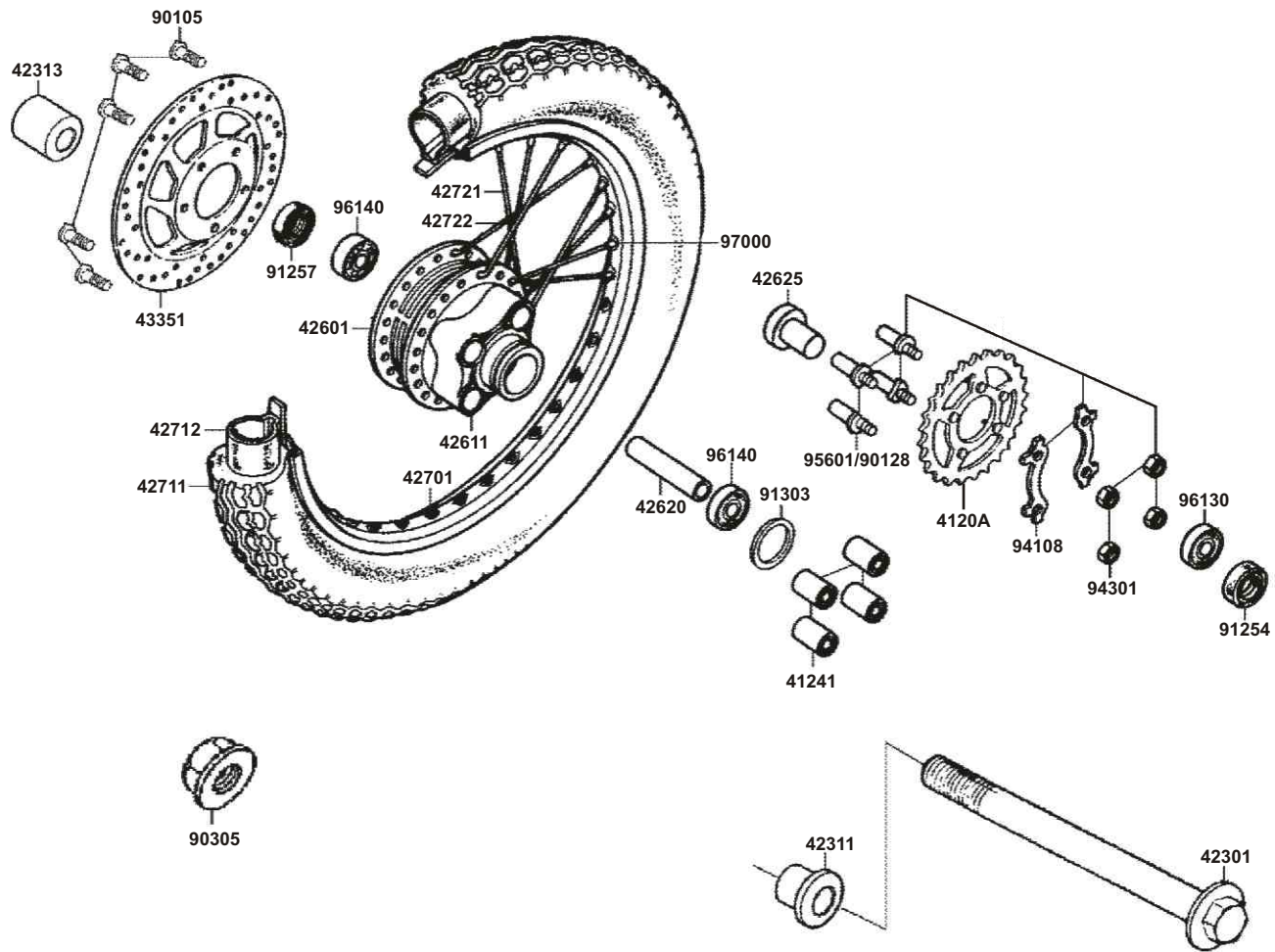
F-7 Front Wheel



F-7 Front Wheel

PART. No.	VER	Descripción	Qty/.	PART. No.	VER	Descripción	Qty/.
43352-568-0030	3	SCREW BLEEDER	1	45131-GBE2-007	0	PIN BOLT A (From dec-05)	1
43353-461-7710-M1	0	CAP BLEEDER	1	45132-166-0160	0	BUSH BOOT PIN	1
44301-KHB4-9000	0	AXLE FR WHEEL	1	45133-MA3-0060	0	BOOT B	1
44311-046-0010	0	COLLAR FR WHEEL SIDE	1	45200-KGC4-E00-YAA	0	CALIPER ASSY FR	1
44601-KG7-901-NJA	1	HUB FRONT WHEEL	1	45203-MG3-0010	6	PLUG PIN	2
44620-400-0000	1	COLLAR FR DIST	1	45209-GE2-0060	0	SEAL PISTON	2
44680-410-0010	0	RETAINER GEAR BOX	1	45215-GE2-0070	0	HANGER PIN	2
44701-KGC4-E01-F1S	0	RIM FR WHEEL	1	45216-166-0060	0	WASHER WAVE	1
44711-KGC4-E0A	0	TIRE FR	1	45531-GR1-9510	0	PLUG	1
44712-KGC4-E0A	0	TUBE FR TIRE	1	90122-KEC8-9000	0	BOLT FLANGE 8*38	2
44721-KGC4-E01	0	SPOKE A REAR	18	90301-473-0040	0	NUT U 6MM	5
44722-KGC4-E01	0	SPOKE B REAR	18	90306-KFO-901	0	NUT FLANGE 12MM	1
44800-KGC4-E00	0	GEAR BOX ASSY SPDMT	1	90306-KLF0-004-SY	0	NUT FLANGE 12MM (From Dec-05)	1
45105-KGC4-E00	0	PAD COMP	2	91252-030-0000	0	OIL SEAL WHEEL 23*37*7	1
45108-GE2-0070	2	SPRING PAD	1	91258-410-0000-M2	0	DUST SEAL 40*50*5	1
45109-GE2-0060	0	DUST SEAL	2	92912-06018-0E	0	BOLT STUD 6*18	5
45121-KHC7-C00-NJS	0	DISK FR BRAKE	1	94050-08080	0	NUT FLANGE 8MM	1
45131-166-0160	0	PIN BOLT	1	96140-63010-10	0	BEARING BALL RADIAL 6301	2
45131-GE2-0060	0	PIN BOLT A	1	97000-KAL-9100	1	NIPPLE SPOKE 10	36

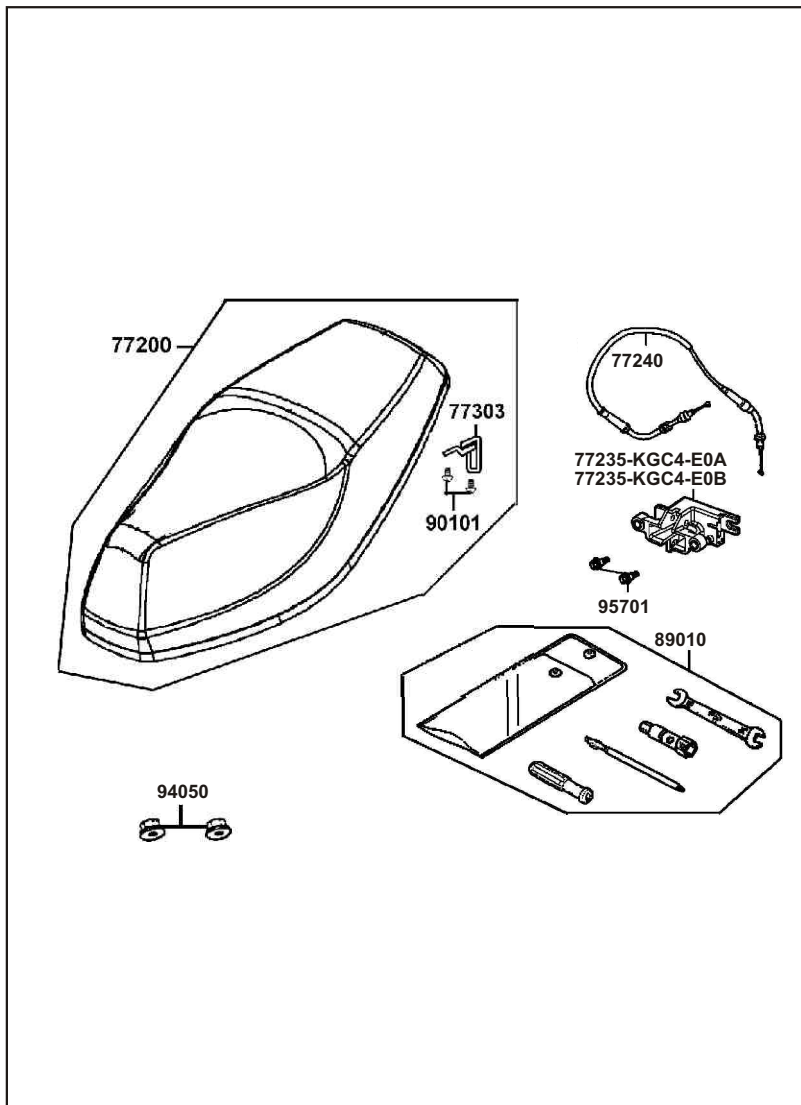
F- 8 Rear Wheel



F- 8 Rear Wheel

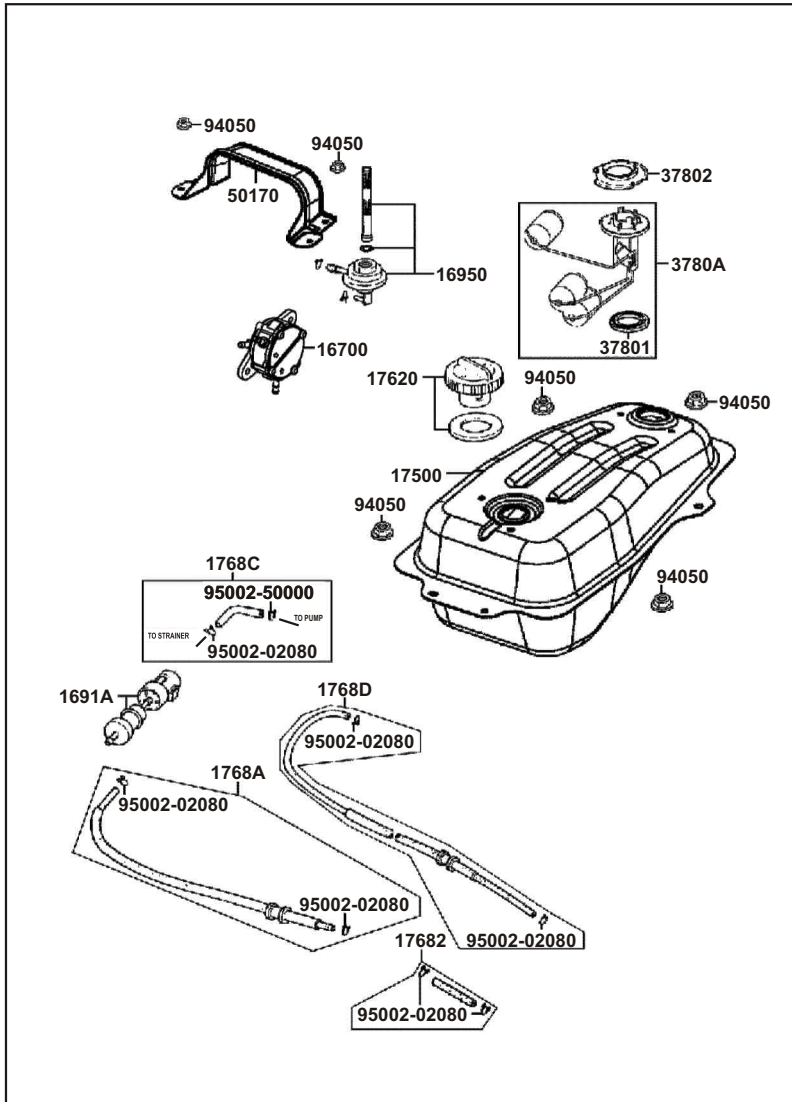
PART. No.	VER	Descripción	Qty/.	PART. No.	VER	Descripción	Qty/.
4120A-KFB1-900	1	SPROCKET ASSY FINAL	1	43351-KW6-901	0	DISK REAR BRAKE	1
41241-KGC4-E01	0	BUSH RR WHEEL DAMPER	4	90105-KR1-7610	0	BOLT SPL 6*25	5
42301-KGC4-E00	0	AXLE REAR WHEEL	1	90128-KEC8-900	0	BOLT HEX CAP 10*35 (From Dec-05)	4
42311-KGC4-E01	0	COLLAR RR BRAKE PANEL SIDE	1	90305-KW6-9120-M1	0	NUT U FLANGE 16MM	1
42313-KGC4-E01	0	COLLAR REAR HUB SIDE	1	91254-KGC4-E01	0	DUST SEAL 27*45*7	2
42601-KGC4-E01	0	HUB COMP RR WHEEL	1	91257-KGC4-E01	0	DUST SEAL	1
42611-KGC4-E01	0	FLANGE FINAL DRIVEN	1	91303-KGC4-E01	1	O-RING RR WHEEL	1
42620-KGC4-E01	0	COLLAR REAR AXLE DISTANCE	1	94108-KEC8-900	1	WASHER TONGUED 10MM	2
42625-KGC4-E01	0	COLLAR B RR AXLE DIST	1	94301-10000	0	NUT HEX 10MM	4
42701-KGC4-E00-F1S	0	RIM RR WHEEL	1				
42711-KGC4-E0A	0	TIRE ASSY RR	1	95601-10035-00	0	BOLT HEX CAP 10*35	4
42712-KGC4-E0A	0	TUBE RR TIRE	1	96130-60022-00	0	BEARING BALL RADIAL 60/22 ZZ	1
42721-KGC4-E01	0	SPOKE A REAR	18	96140-62030-00	0	BEARING BALL RADIAL 6203	2
42722-KGC4-E01	0	SPOKE B REAR	18	97000-KAL-9100	1	NIPPLE SPOKE 10	36

F-9 Seat



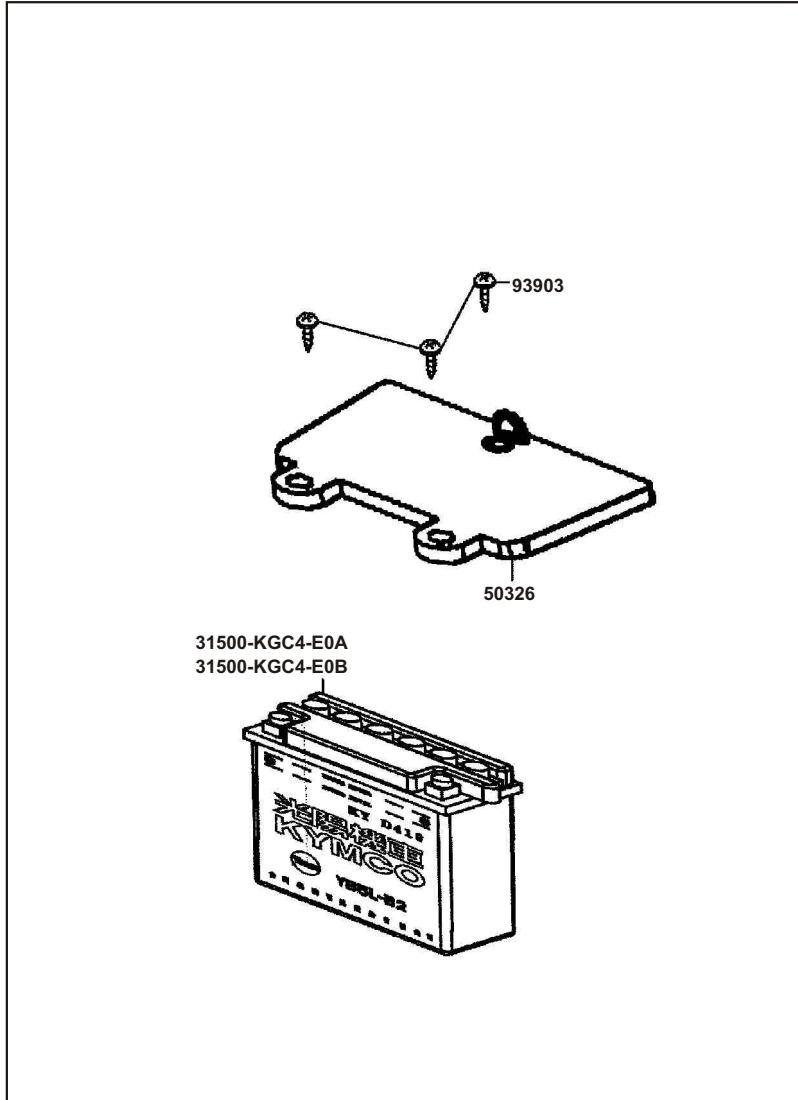
PART. No.	VER	Descripción	Qty/.
77200-KGC4-E00-T01	5	SEAT ASSY	1
77235-KGC4-E0A	0	SEAT CATCH	1
77235-KGC4-E0B	0	SEAT CATCH	1
77240-KGC4-E00	0	CABLE SEAT LOCK	1
77303-KGC4-E00	2	HOOK SEAT LOCK	1
89010-GY6-9000	1	TOOL SET	1
90101-KGC4-E00	1	ECREW SPECIAL 6*15 (From Dec-05)	2
94050-06080	0	NUT FLANGE 6MM (From Dec-05)	2
95701-KEB7-E000	0	BOLT FLANGE 6*16	2
95701-06012-08	0	BOLT FLANGE 6*12 (From Dec-05)	2

F-10 Fuel Tank



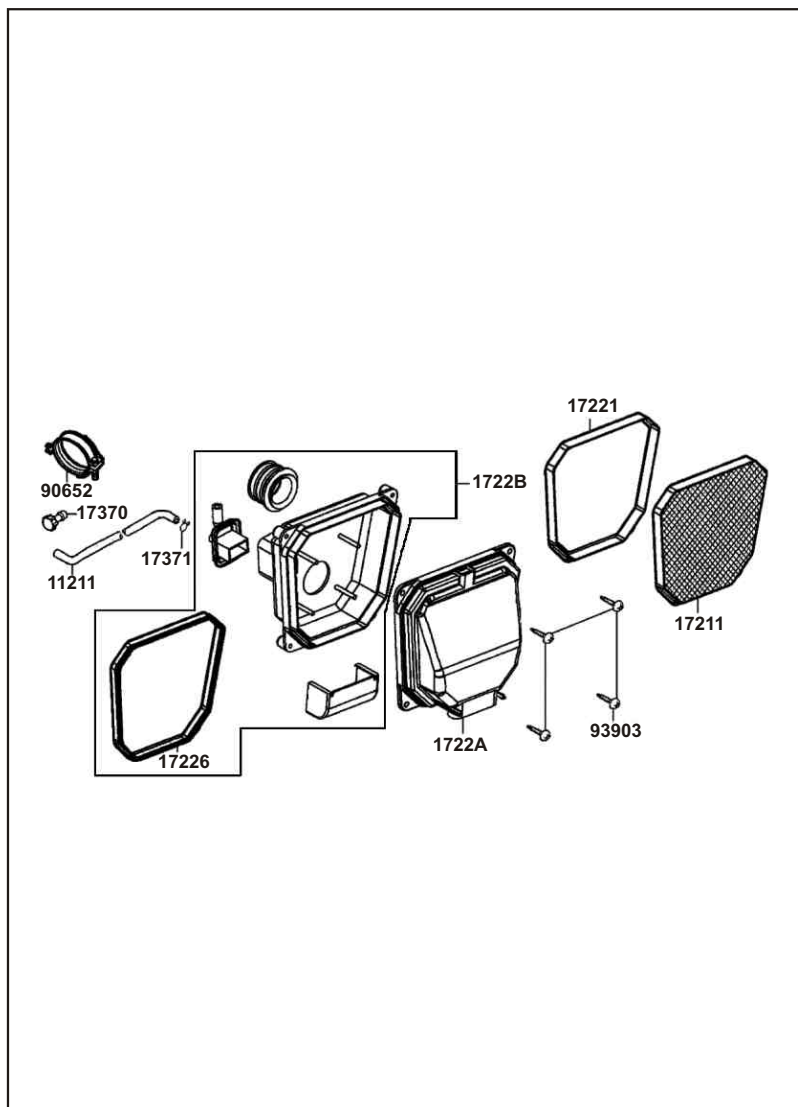
PART. No.	VER	Descripción	Qty/.
16700-KHE7-900	5	FUEL PUMP ASSY	1
16700-KGC4-B50	3	FUEL PUMP ASSY (From Dec-05)	1
1691A-GY6-9010-M1	0	STRAINER ASSY FUEL	1
16950-397-631	1	COCK ASSY FUEL	1
17500-KGC4-E10	0	TANK COMP FUEL	1
17620-GA7-0130	1	CAP FUEL FILLER	1
17620-GGA7-014	1	CAP FUEL FILLER (From Dec-05)	1
17682-KGC4-E00	7	TUBE ASSY VACUUM	1
1768A-KGC4-E10	0	TUBE ASSY TANK-STRAINER	1
1768C-KGC4-E00	0	TUBE ASSY STRAINER-PUMP	1
1768D-KGC4-E00	3	TUBE ASSY PUMP - CARB	1
37801-GA7-7000	1	PACKING BASE	1
37802-GA7-7000	2	RET FUEL UNIT	1
37802-GGA7-701	0	RET FUEL UNIT (From Dec-05)	1
3780A-KGC4-E00	5	FUEL UNIT ASSY	1
50170-KGC4-E00	3	BRKT SEAT	1
94050-06080	0	NUT FLANGE 6MM	6
95002-02080	0	CLIP B8 TUBE	7
95002-50000	0	CLIP C9 TUBE	1

F-11 Battery



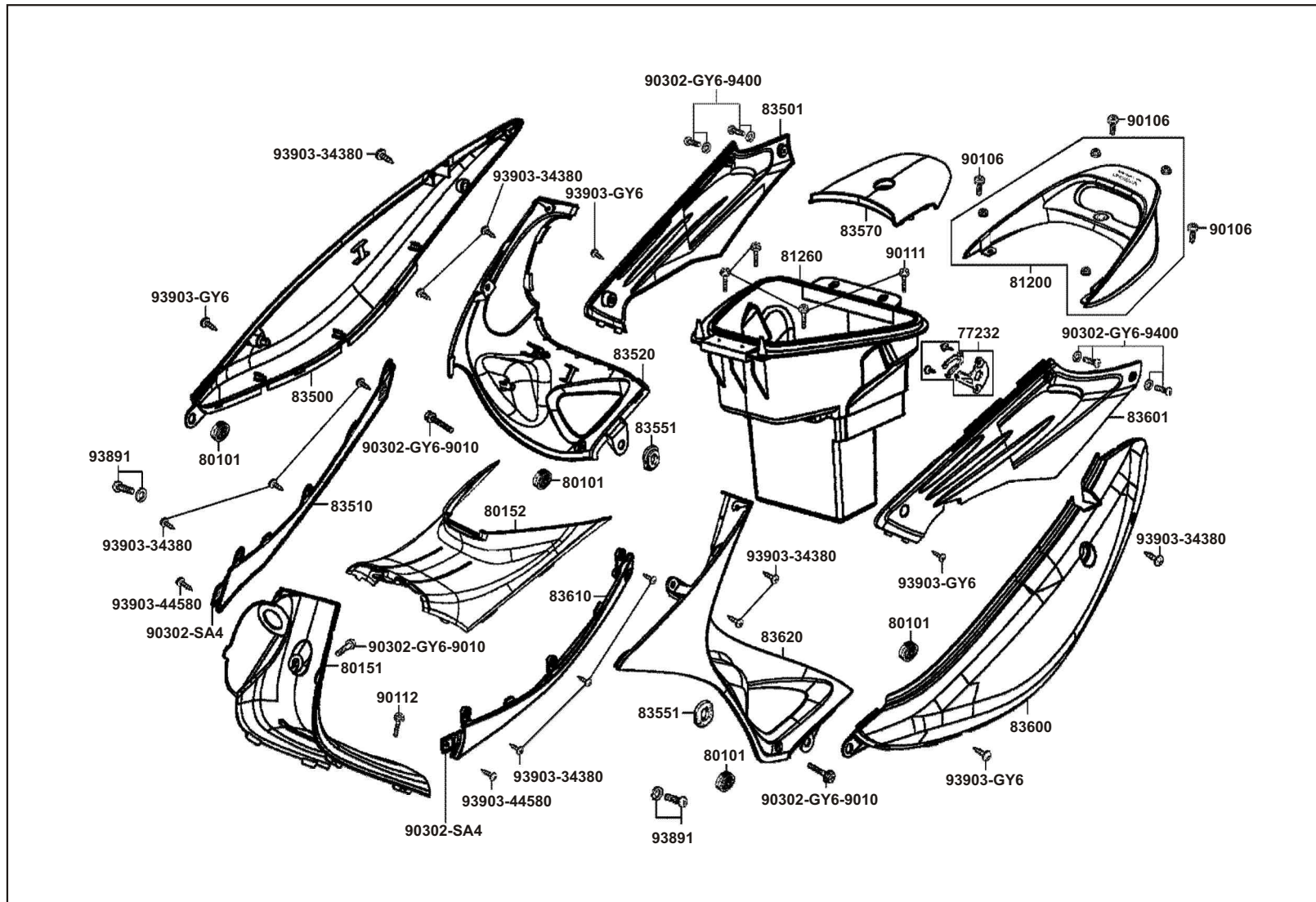
PART. No.	VER	Descripción	Qty/.
31500-KGC4-E0A	0	BATTERY YB5L-B2	1
31500-KGC4-E0B	0	BATTERY YB5L-B2	1
50326-KGC4-E00	0	COVER BATTERY	1
93903-GY6-9000	0	SCREW TAPPING 4*14	3

F-12 Air Cleaner



PART. No.	VER	Descripción	Qty/.
11211-KGC4-E00	0	TUBE BREATHER	1
17211-KGC4-E00	0	ELEMENT AIR/C	1
17221-KGC4-E00	0	TRAP COMP	1
17226-KGC4-E00	0	SEAL AIR/C CASE	1
1722A-KGC4-E00	0	COVER ASSY AIR/C	1
1722B-KGC4-E00	3	CASE ASSY AIR/C	1
17370-419-7010	0	PLUG BREATHER TUBE	1
17371-174-6700	0	CLIP BREATHER TUBE	1
90652-GHB-6410	0	BAND 42 AIR/C CONNECTING TUBE	1
93903-25480	0	SCREW TAPPING 5*20	4

F-13 Body Cover / Luggage Box

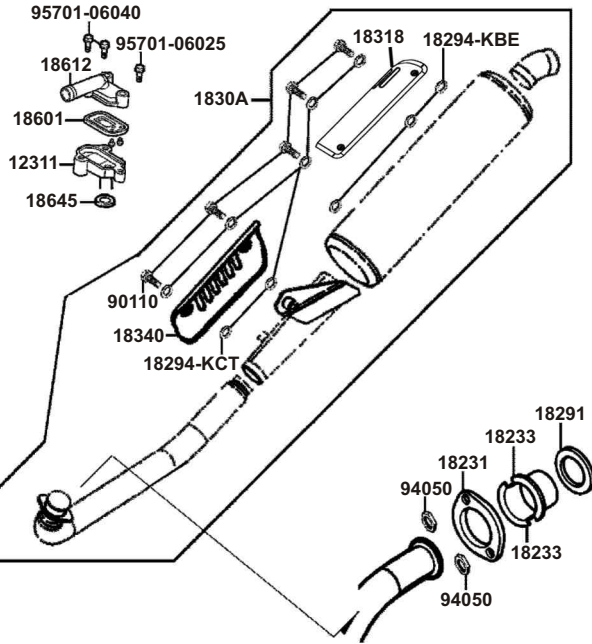


F-13 Body Cover / Luggage Box

PART. No.	VER	Descripción	Qty/.
77232-KAC-9010	1	SET SPG SEAT LOCK	1
80101-KDU-B000-IN	0	RUBBER FR NUMBER	4
80151-KGC4-E00-N1R	3	COVER CENTER UP	1
80152-KGC4-E00-N1R	3	COVER CENTER LOW	1
81200-KGC4-E00-N8A	1	BAR CARRIER	1
81260-KGC4-E00	0	BOX ASSY LUGGAGE	1
83500-KGC4-E00-B4P	0	COVER R BODY (Blue Metallic)	1
83500-KGC4-E00-HJP	0	COVER R BODY (Mat Black Metallic)	1
83500-KGC4-E00-N8P	0	COVER R BODY (Bright Silver)	1
83500-KGC4-E00-R6P	0	COVER R BODY (Red)	1
83500-KGC4-E00-YFP	0	COVER R BODY (Orange)	1
83501-KGC4-E00-N1R	0	MOLDING R SIDE	1
83510-KGC4-E00-N1R	0	LID R BODY	1
83520-KGC4-E00-B4P	0	COVER R SIDE (Blue Metallic)	1
83520-KGC4-E00-HJP	0	COVER R SIDE (Mat Black Metallic)	1
83520-KGC4-E00-N8P	0	COVER R SIDE (Bright Silver)	1
83520-KGC4-E00-R6P	0	COVER R SIDE (Red)	1
83520-KGC4-E00-YFP	0	COVER R SIDE (Orange)	1
83600-KGC4-E00-B4P	0	COVER L BODY (Blue Metallic)	1
83600-KGC4-E00-HJP	0	COVER L BODY (Mat Black Metallic)	1
83600-KGC4-E00-N8P	0	COVER L BODY (Bright Silver)	1
83600-KGC4-E00-R6P	0	COVER L BODY (Red)	1
83600-KGC4-E00-YFP	0	COVER L BODY (Orange)	1

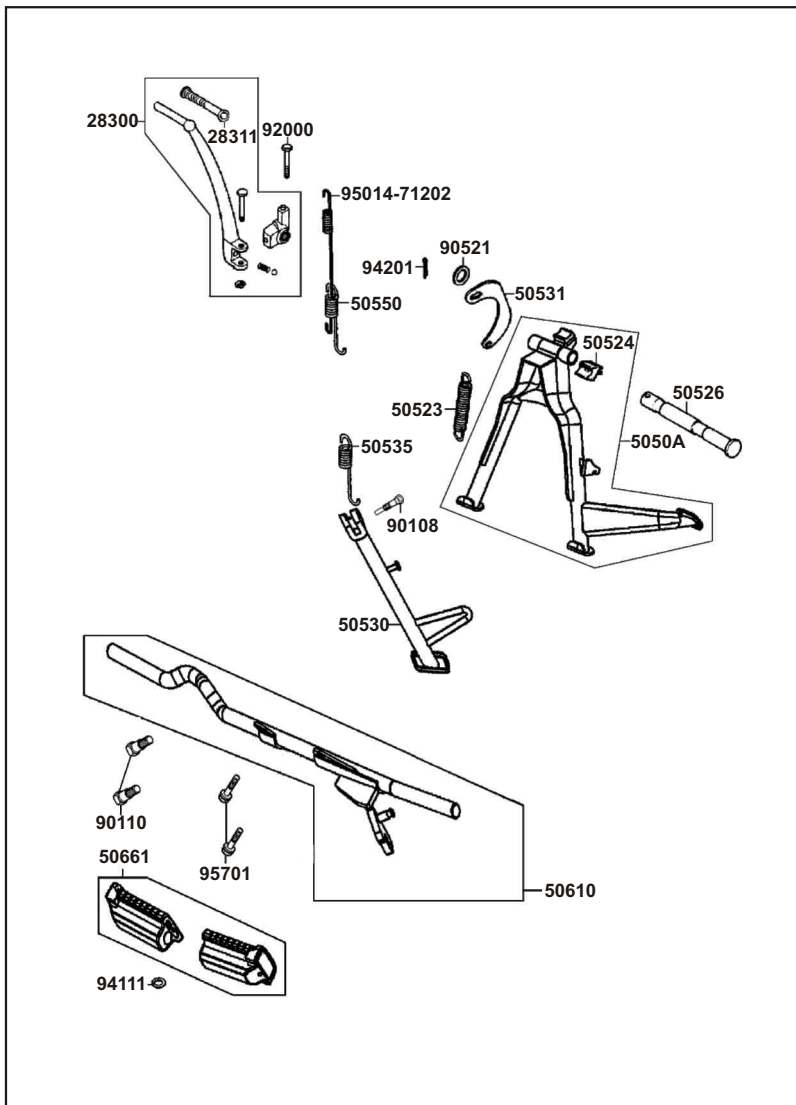
PART. No.	VER	Descripción	Qty/.
83601-KGC4-E00-N1R	0	MOLDING L SIDE	1
83610-KGC4-E00-N1R	0	LID L BODY	1
83620-KGC4-E00-N8P	0	COVER L SIDE (Bright Silver)	1
83620-KGC4-E00-R6P	0	COVER L SIDE (Red)	1
83620-KGC4-E00-B4P	0	COVER L SIDE (Blue Metallic)	1
83620-KGC4-E00-YFP	0	COVER L SIDE (Orange)	1
83620-KGC4-E00-HJP	0	COVER L SIDE (Mat Black Metallic)	1
83750-KGC4-E00-B4P	0	COVER RR CENTER (Blue Metallic)	1
83750-KGC4-E00-HJP	0	COVER RR CENTER (Mat Black Metallic)	1
83750-KGC4-E00-N8P	0	COVER RR CENTER (Bright Silver)	1
83750-KGC4-E00-R6P	0	COVER RR CENTER (Red)	1
83750-KGC4-E00-YFP	0	COVER RR CENTER (Orange)	1
90106-KDU-9000	1	BOLT SPECIAL 8MM	3
90111-187-0000	1	BOLT FLANGE 6MM	4
90112-KBN-9010	0	BOLT FLANGE 6MM	1
90302-GY6-9010	0	BOLT-WASH 5*12	3
90302-GY6-9400	0	BLOT WASH 5*16	4
90302-SA4-0040	1	NUT SPRING 4MM	2
93891-05020-07	0	SCREW WASHER 5*20	2
93903-34380	0	SCREW TAPPING 4*12	14
93903-44580	0	SCREW TAPPING 4*20	2
93903-GY6-9000	0	SCREW TAPPING 4*14	2

F-14 Exhaust Muffler



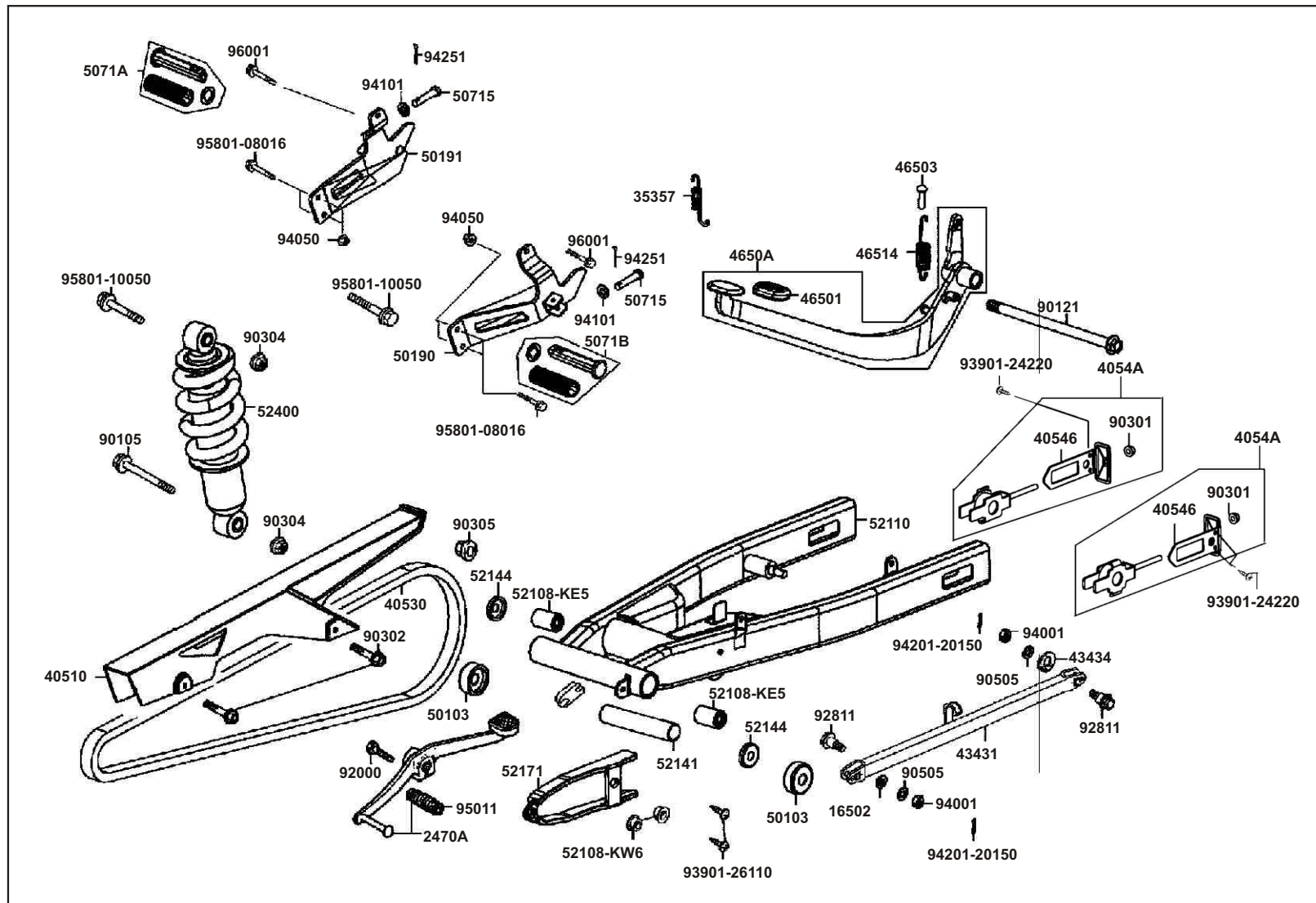
PART. No.	VER	Descripción	Qty/.
12311-KFB5-9000	0	BODY REED VALVE	1
18231-KGC4-E00	0	JOINT EXH PIPE	1
18233-KGC4-E00	0	COLLAR EXHAUST PIPE JOINT	2
18291-KGD4-C00	0	GASKET EXH PIPE	1
18294-KBE-9000	0	PACKING PROTECTOR	3
18294-KCT-9000	0	PACKING PROTECTOR	7
1830A-KGC4-E01	0	MUFFLER ASSY EXH	1
1830A-KGC4-M40		MUFFLER ASSY EXH (From Dec-05)	
18318-KGC4-E00	0	PROTECTOR MUFFLER COMP	1
18340-KGD4-C00	0	PROTECTOR	1
18601-KE2-9000	0	REED VALVE COMP LDV 52*27*6	1
18612-KGB5-EZ0	0	COVER REED VALVE	1
18645-GY6-9400	0	GSKT A/I PIPE	1
90110-GW0-0010	0	SCREW SPECIAL 6*14	5
94050-08080	0	NUT FLANGE 8MM	2
95701-06025-07	2	BOLT FLANGE 6*25	1
95701-06040-07	0	BOLT FLANGE 6*40	2

F-15 Stand / Kick Starter Arm



PART. No.	VER	Descripción	Qty/.
28300-KGC4-E00	0	ARM ASSY KICK STARTER	1
28311-KG7-0010	0	STARTER RUBBER KICK	1
5050A-KGC4-E01	0	STAND COMP MAIN	1
50523-KGC4-E01	0	HOOK MAIN STAND SPRING	1
50524-397-0010	0	STOPPER RUBBER STAND	1
50526-KGC4-E00	0	SHAFT MAIN STAND PIVOT	1
50530-KGC4-E80	0	BAR COMP SIDE STAND	1
50531-KEB7-E000	1	PLATE SPRING STOPPER	1
50535-KEB7-E000	1	SPRING COMP SIDE STAND	1
50550-KEB7-E000	1	SPG ASSY MAIN STAND	1
50610-KGC4-E80	0	BAR COMP STEP	1
50661-KG7-0010	1	RUBBER STEP	1
90108-KDU-E000	0	SCREW SIDE STAND PIVOT	1
90110-KGC4-E00	3	BOLT PROJECTION	2
90521-KGC4-E00	0	DIA WASHER 17*28	1
92000-08040-0H	0	BOLT HEX 8*40	1
94111-08800	0	WASHER SPG 8MM	1
94201-30250	0	PIN SPLIT 3*25	1
95014-72102-M1	0	SPG A SIDE STAND	1
95701-08020-08	0	BOLT FLANGE 8*20	2

F-16 Front Wheel / Rear Cushion

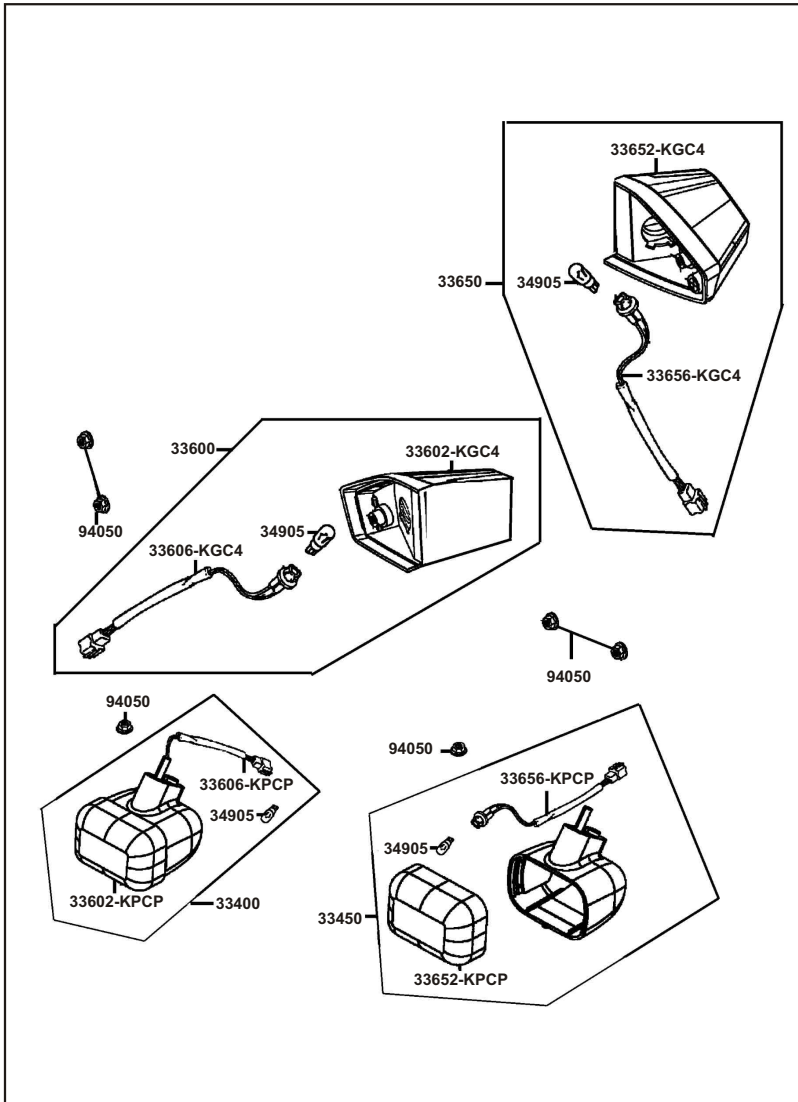


F-16 Front Wheel / Rear Cushion

PART. No.	VER	Descripción	Qty/.
16502-880-0010	0	WASHER SW BOSS	1
2470A-KGC4-E10	0	PEDAL ASSY CHANGE	1
35357-KGC4-E00	0	SPG STOP SW	1
40510-KGC4-E00-N1R	0	COVER CHAIN	1
40530-KGC4-E00	0	CHAIN DRIVE	1
40546-KGC4-E00	0	CAP REAR FORK END	2
4054A-KGC4-E00	0	ADJUSTER CHAIN ASSY	2
43431-KGC4-E01-NGS	0	ARM STPR RR BRAKE	1
43434-286-0010	0	RUBBER STOPPER ARM CUSHION	2
46501-KG7-0000	0	RUBBER BRAKE PEDAL	1
4650A-KGC4-E01	0	PEDAL ASSY BRAKE	1
46514-KGC4-E00	0	SPRING BRAKE PEDAL	1
50103-KGC4-E00-NJP	0	CAP RR FORK BRKT	2
50190-KGC4-E01-NJS	0	BRKT R RR STEP	1
50191-KGC4-E00-NJS	0	BRKT L RR STEP	1
50715-KEC8-9000	0	PIN PILLION STEP	2
5071A-KGC4-E00	0	BAR R P STEP ASSY	1
5071B-KGC4-E00	0	BAR ASSY PILLION STEP	1
52108-KE5-0040	0	BUSH REAR FORK	2
52108-KW6-9010	0	COLLAR CHAIN SLIDER	2
52110-KGC4-E01-NGS	0	FORK COMP RR	1
52141-KGC4-E00	3	COLLAR RR FORK	1
52144-GE2-0060	0	CAP RR FORK DUST SEAL	2

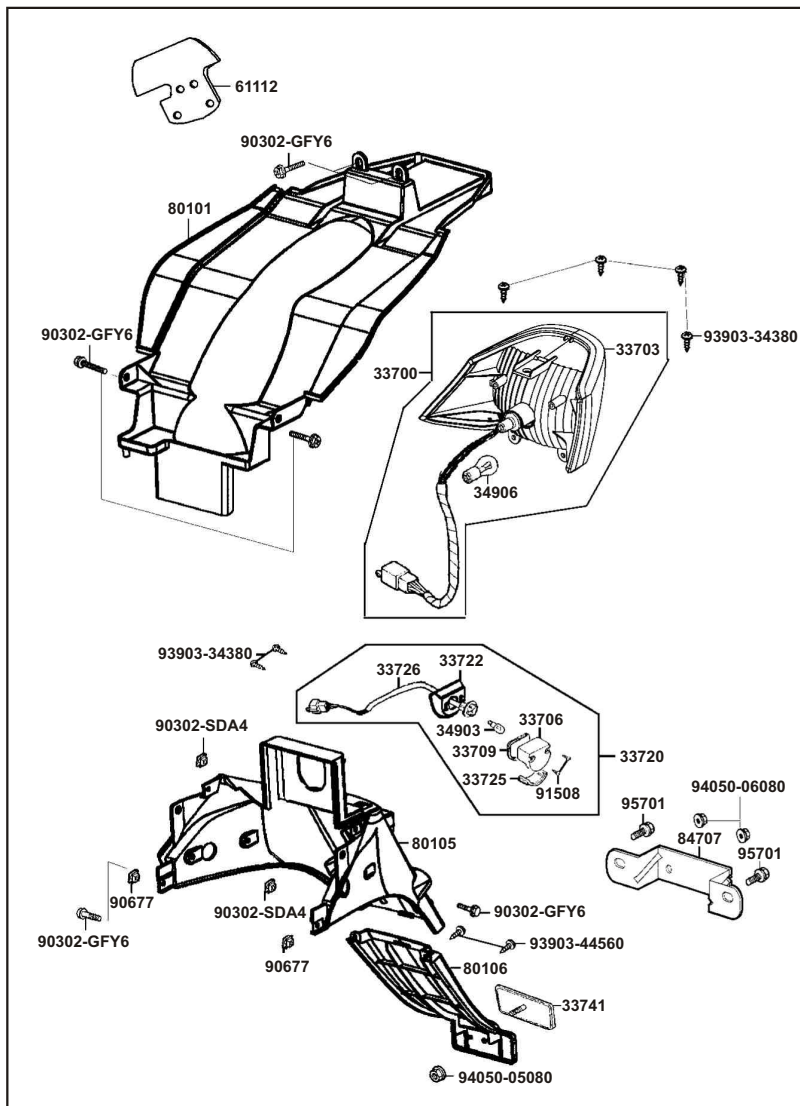
PART. No.	VER	Descripción	Qty/.
52171-KGC4-E00	0	SLIDER CHAIN	1
52400-KGC4-E00	0	CUSHION ASSY REAR	1
52400-KGC4-E00-R8S	0	CUSHION ASSY REAR (From Dec-05)	1
90105-GY6-9000	0	BOLT FLANGE 10*184	1
90121-KGC4-E00	0	BOLT RR FORK PIVOT	1
90301-473-0040	0	NUT U 6MM	2
90302-GY6-9010	0	BOLT-WASH 5*12	2
90304-GE8-0040	0	NUT U 10MM	2
90305-GE8-9010	0	NUT U 14MM	1
90505-425-001	0	WASHER 8MM	2
92000-06020-0H	0	BOLT HEX 6*20	1
92811-10000	0	BOLT A BRK STPR	2
93901-24220	0	SCREW TAPPING 4*10	4
93901-26110	0	SCREW TAPPING 6*12	2
94001-08080-0S	0	NUT HEX 8MM	2
94050-08080	0	NUT FLANGE 8MM	3
94101-06800	0	WASHER PLAIN 6MM	2
94201-20150	0	PIN SPLIT 2*15	2
94251-08400	0	PIN LOCK 6MM	2
95011-40000	0	PEDAL RUBBER	1
95801-08016-08	0	BOLT FLANGE 8*16	4
95801-10050-07	0	BOLT FLANGE 10*50	1
96001-06022-08	0	BOLT FLANGE SH 6*22	2

F-17 Winker



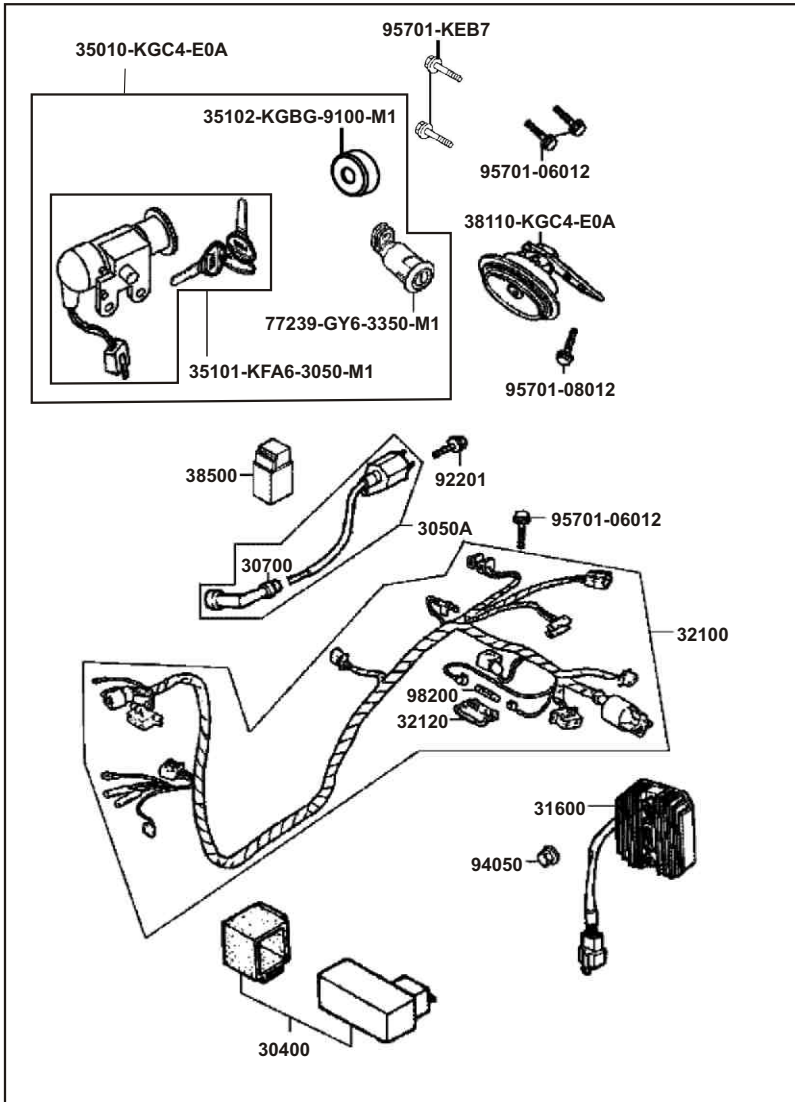
PART. No.	VER	Descripción	Qty/.
33400-KGC4-E00	0	WINKER ASSY R FR	1
33450-KGC4-E00	0	WINKER ASSY L FR	1
33600-KGC4-E00	0	WINKER ASSY R RR	1
33602-KCP-9000	1	LENS R RR WINKER	1
33602-KGC4-E00	0	LENS R RR WINKER	1
33650-KGC4-E00	0	WINKER ASSY L RR	1
33652-KCP-9000	1	LENS L RR WINKER	1
33652-KGC4-E00	0	LENS L RR WINKER	1
34905-KCP-9000	0	BULB WINKER	4
94050-05080	0	NUT FLANGE 5MM	6

F-18 Rear Light/ Rear Fender



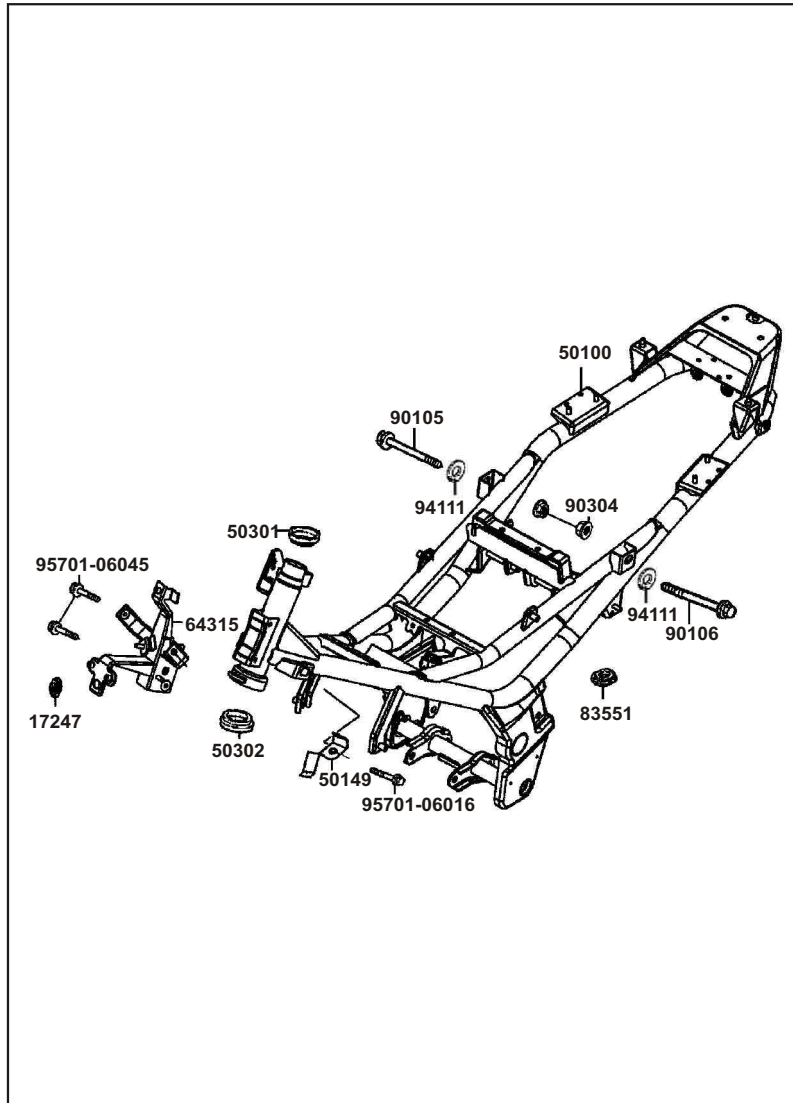
PART. No.	VER	Descripción	Qty/.
33700-KGC4-E00	4	LIGHT ASSY RR COMB	1
33703-KGC4-E00	0	LENS TAIL LIGHT	1
33706-KHB4-E00	0	COVER LICENSE	1
33709-KAB-0030	0	PACKING LICENSE	1
33720-KHB4-E00	3	LIGHT ASSY LICENSE	1
33722-KHB4-E000	0	BASE LICENSE	1
33725-KHB4-E000	0	LENS LICENSE	1
33726-KHB4-E000	0	SOCKET COMP	1
33741-KFA6-9000	0	REFLEX REFLECTOR	1
34903-KCP-9000	0	BULB POSITION	1
34906-KCP-9000	0	BULB TAIL & STOP	1
61112-KGC4-E00	5	PLATE SPLASH GUARD	1
80101-KGC4-E00	3	FENDER RR UP	1
80105-KGC4-E00	0	FENDER A RR	1
80106-KGC4-E00	0	FENDER B RR	1
84707-KHC6-C000-ZF	0	STAY RR NO PLATE	1
90302-GY6-9010	0	BOLT-WASH 5*12	6
90302-SA4-0040	1	NUT SPRING 4MM	2
90677-GR1-0030	1	NUT CLIP 5MM	2
91508-KV7-6710-M1	0	SCREW TAPPING 4*14	2
93903-34380	0	SCREW TAPPING 4*12	6
93903-44560	0	SCREW TAPPING 4*20	2
94050-05080	0	NUT FLANGE 5MM	1
94050-06080	0	NUT FLANGE 6MM	2
95701-06012-08	0	BOLT FLANGE 6*12	2

F-19 Wire Harness



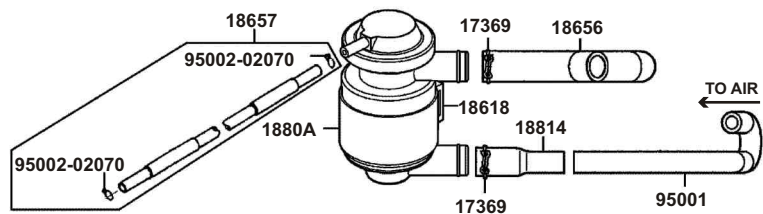
PART. No.	VER	Descripción	Qty/.
30400-KGC4-E00	0	UNIT ASSY CDI	1
3050A-KGC4-E00	0	COIL ASSY IGN	1
30700-KE2-9410	0	CAP (ASSY) NOISE SUPPRESSOR	1
31600-KR1-7620-M1	2	REG REC COMP (DC)	1
32100-KGC4-E00	0	HARNESS WIRE	1
32120-155-0010	0	CASE 7A FUSE	1
35010-KGC4-E0A	0	KEY SET	1
35101-KFA6-3050-M1	0	SW COMB & LOCK	1
35102-KGBG-9100-M1	0	COLLAR MAIN SW	1
38110-KGC4-E0A	2	HORN COMP	1
38500-KGD4-C00	0	RELAY ASSY START	1
77239-GY6-3350-M1	0	KEY SEAT LOCK	1
92201-05020-0H	0	BOLT HEX 5*20	1
94050-06080	0	NUT FLANGE 6MM	1
95701-06012-08	0	BOLT FLANGE 6*12	3
95701-08012-08	0	BOLT FLANGE 8*12	1
95701-KEB7-E00	1	BOLT TORQUE 6*16	2
98200-10700	0	FUSE A7	1

F-20 Frame Body



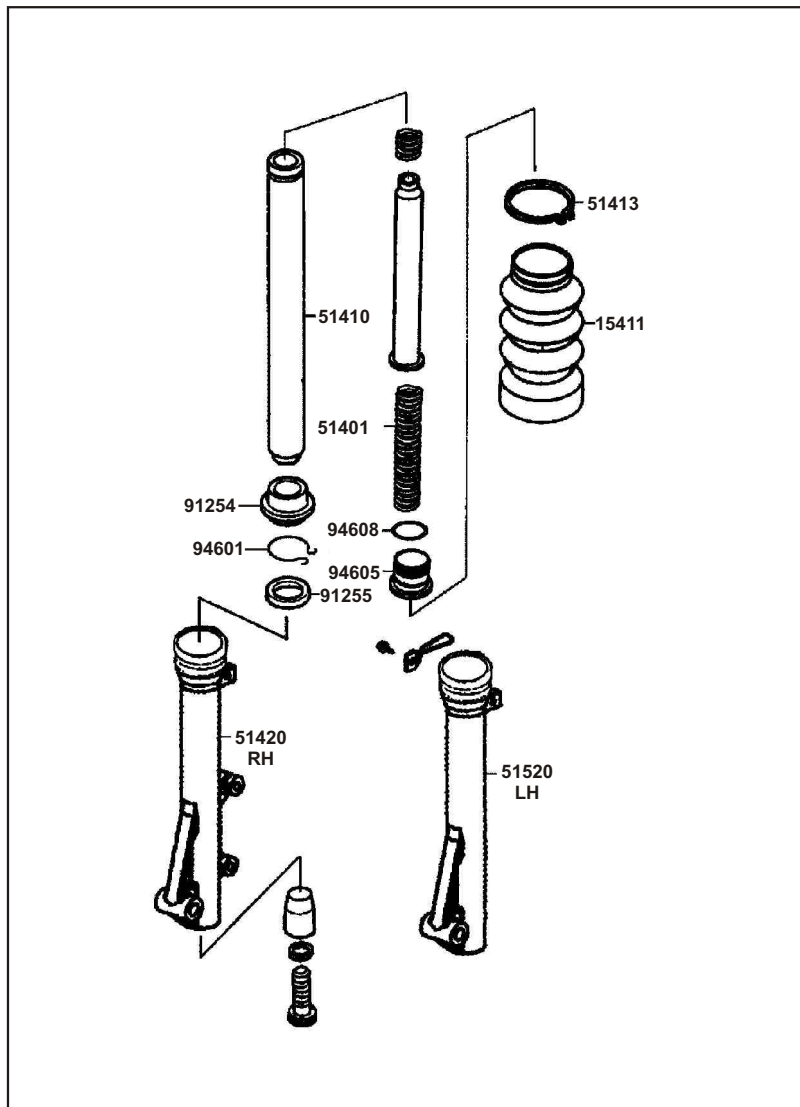
PART. No.	VER	Descripción	Qty/.
17247-303-0010	0	GROMMET A AIR CLEANER CASE	1
50100-KGC4-E01	0	BODY COMP FRAME	1
50149-KGC4-E00	0	STAY STRAINER	1
50301-KN7-6710	2	RACE UP STRG BALL	1
50302-268-0110	0	RACE (STRG BOT) BALL	1
64315-KGC4-E00	8	STAY FR COVER	1
83551-KAK-9000	0	GROMMET AIR CLEANER CASE	1
90105-KGC4-E00	0	BOLT FLANGE 10*125	1
90106-KGC4-E00	0	BOLT FLANGE 10*105	1
90304-GE8-0040	0	NUT U 10MM	2
94111-10800	0	WASHER SPG 10 MM	2
95701-06016-08	0	BOLT FLANGE 6*16	1
95701-06045-08	0	BOLT FLANGE 6*45	2

F-21 Air Cleaner Two



PART. No.	VER	Descripción	Qty/.
17369-KB4-6700	1	DUCT BREATHER TUBE	3
18618-LLF5-900	0	BREATHER AICV MOUNT	1
18656-KGC4-E01	0	DUCT AICV-REED VALVE	1
18657-KGC4-E01	0	TUBE ASSY AICV-INLET PIPE	1
1880A-LLF5-90A	0	AI/C-AICV ASSY	1
18814-KGC4-E01	0	DUCT AIR-AICV	1
95001-45100-40	0	TUBE FUEL 4.5*100	1
95002-02070	0	CLIP B7 TUBE	2

F-22 Separated Parts Of Fr Fork

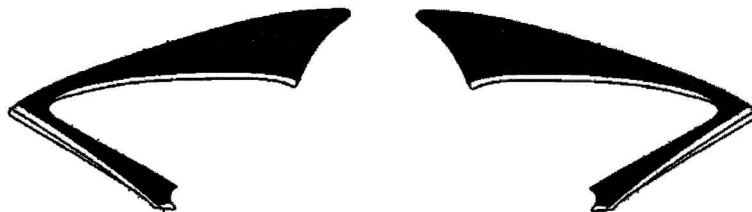


PART. No.	VER	Descripción	Qty/.
51401-KGC4-E00	0	SPRING	2
51410-KGC4-E00	0	PIPE COMP FR FORK	2
51411-KBE-E000	0	BOOT	2
51413-KBE-E000	0	BOOT BAND	2
51420-KGC4-E00	0	BOTTOM CASE R	1
51520-KGC4-E00	0	BOOTOM CXASE L	1
91254-KGC4-E01	0	DUST SEAL	2
91255-446-0140	0	OIL SEAL	2
94601-354-0010	0	OIL SEAL STOPPER RING	2
94605-KBE-9000	1	FORK BOLT	2
94608-30000	0	O-RING B	2

F-23 Emblem / Stripe

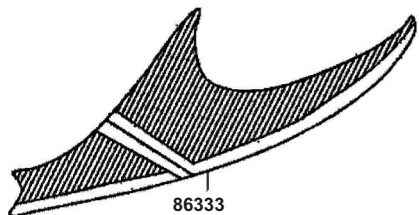


87311

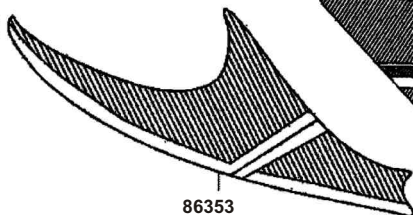


86323

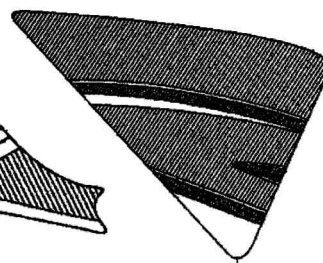
86343



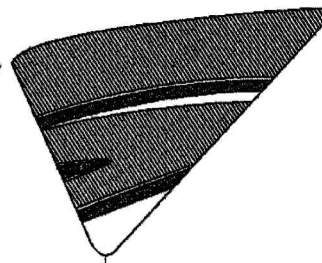
86333



86353



86543



86553



86341



86351



86423



86433



87206



86102

F-23 Emblem / Stripe

PART. No.	VER	Descripción	Qty/.
86323-LBF5-E80-T01	0	STRIPE R SIDE COVER (Bright Silver)	1
86323-LBF5-E80-T02	0	STRIPE R SIDE COVER (Red & Orange)	1
86323-LBF5-E80-T03	0	STRIPE R SIDE COVER (Blue Metallic)	1
86323-LBF5-E80-T04	0	STRIPE R SIDE COVER (Mat Black Metallic)	1
86333-LBF5-E80-T01	0	STRIPE B R SIDE COVER (Bright Silver)	1
86333-LBF5-E80-T02	0	STRIPE B R SIDE COVER (Red & Orange)	1
86333-LBF5-E80-T03	0	STRIPE B R SIDE COVER (Blue Metallic)	1
86333-LBF5-E80-T04	0	STRIPE B R SIDE COVER (Mat Black Metallic)	1
86341-LBF5-E80-T01	0	STRIPE R SKIRT (Bright Silver)	1
86341-LBF5-E80-T02	0	STRIPE R SKIRT (Red)	1
86341-LBF5-E80-T03	0	STRIPE R SKIRT (Blue Metallic)	1
86341-LBF5-E80-T04	0	STRIPE R SKIRT (Mat Black Metallic)	1
86341-LBF5-E80-T05	0	STRIPE R SKIRT (Orange)	1
86343-LBF5-E80-T01	0	STRIPE L SIDE COVER (Bright Silver)	1
86343-LBF5-E80-T02	0	STRIPE L SIDE COVER (Red & Orange)	1
86343-LBF5-E80-T03	0	STRIPE L SIDE COVER (Blue Metallic)	1
86343-LBF5-E80-T04	0	STRIPE L SIDE COVER (Mat Black Metallic)	1
86351-LBF5-E80-T01	0	STRIPE L SKIRT (Bright Silver)	1
86351-LBF5-E80-T02	0	STRIPE L SKIRT (Red)	1
86351-LBF5-E80-T03	0	STRIPE L SKIRT (Blue Metallic)	1
86351-LBF5-E80-T04	0	STRIPE L SKIRT (Mat Black Metallic)	1
86351-LBF5-E80-T05	0	STRIPE L SKIRT (Orange)	1

PART. No.	VER	Descripción	Qty/.
86353-LBF5-E80-T01	0	STRIPE B L SIDE COVER (Bright Silver)	1
86353-LBF5-E80-T02	0	STRIPE B L SIDE COVER (Red & Orange)	1
86353-LBF5-E80-T03	0	STRIPE B L SIDE COVER (Blue Metallic)	1
86353-LBF5-E80-T04	0	STRIPE B L SIDE COVER (Mat Black Metallic)	1
86423-LBF5-E80-T01	0	STRIPE R BODY COVER (Bright Silver)	1
86423-LBF5-E80-T02	0	STRIPE R BODY COVER (Red & Orange)	1
86423-LBF5-E80-T03	0	STRIPE R BODY COVER (Blue Metallic)	1
86423-LBF5-E80-T04	0	STRIPE R BODY COVER (Mat Black Metallic)	1
86433-LBF5-E80-T01	0	STRIPE L BODY COVER (Bright Silver)	1
86433-LBF5-E80-T02	0	STRIPE L BODY COVER (Red & Orange)	1
86433-LBF5-E80-T03	0	STRIPE L BODY COVER (Blue Metallic)	1
86433-LBF5-E80-T04	0	STRIPE L BODY COVER (Mat Black Metallic)	1
86543-LBF5-E80-T01	0	STRIPE R FR FENDER (Bright Silver)	1
86543-LBF5-E80-T02	0	STRIPE R FR FENDER (Red & Orange)	1
86543-LBF5-E80-T03	0	STRIPE R FR FENDER (Blue Metallic)	1
86543-LBF5-E80-T04	0	STRIPE R FR FENDER (Mat Black Metallic)	1
86553-LBF5-E80-T01	0	STRIPE L FR FENDER (Bright Silver)	1
86553-LBF5-E80-T02	0	STRIPE L FR FENDER (Red & Orange)	1
86553-LBF5-E80-T03	0	STRIPE L FR FENDER (Blue Metallic)	1
86553-LBF5-E80-T04	0	STRIPE L FR FENDER (Mat Black Metallic)	1
87206-KNCN-800-T01	0	EMB FR COVER (Bright Silver, Red & Orange)	1
87206-KNCN-800-T02	0	EMB FR COVER (Blue Metallic & Mat Black Metallic)	1
87311-KKD6-E00-T01	0	STRIPE MARK EURO 2	1

PARTS INDEX

PART No.	FIG. No.	PAGE No.
11100-KGC4-E00	E-6	10
11191-KGB4-C00	E-6	10
11200-KGC4-E00	E-6	10
11202-KGD4-C00	E-6	10
11207-KGB4-C00	E-6	10
11211-KGC4-E00	F-12	32
11330-KGC4-E00-NGA	E-3	5
11341-KGD4-C00-NGA	E-4	6
11361-KGC4-E00-NGA	E-4	6
11393-KGC4-E00	E-3	5
11395-KGD4-C00	E-4	6
12100-KGD4-C00	E-1	2
12191-KGD4-C00	E-1	2
12200-KGD4-C00	E-1	2
12209-KGB4-C000	E-2	4
12251-KGC4-E10	E-1	2
12301-KGB4-C00	E-1	2
12311-KFB5-9000	F-14	35
12341-KGB4-C00	E-1	2
12351-KGB4-C000	E-1	2
12361-0E35-001	E-1	2
12361-KGC4-E00	E-3	5
12391-KGB4-C00	E-1	2
12394-KGB4-C00	E-1	2
12440-KGB4-C00	E-1	2
13000-KGC4-E00	E-9	14
13011-KGD4-C10	E-9	14
13101-KGD4-C00	E-9	14
13111-KGD4-C00	E-9	14
13381-KGD4-C00	E-9	14
14100-KGD4-C00	E-2	4
14154-KGC4-E00	E-7	12
14311-KGD4-C00	E-9	14

PART No.	FIG. No.	PAGE No.
14321-KGB4-C00	E-2	4
14401-KGB4-C00	E-2	4
14431-KGC4-E00	E-2	4
14451-035-0000	E-2	4
14500-KGB4-C00	E-2	4
14502-086-0000	E-2	4
14531-035-0010	E-2	4
14541-KGC4-E00	E-2	4
1455A-KGD4-C00	E-2	4
14610-KGC4-E00	E-2	4
14615-GLE0-001	E-2	4
14670-KGD4-C00	E-2	4
14675-KGB4-C00	E-2	4
14711-GY6-9010	E-2	4
14721-GY6-9000	E-2	4
14751-KFBF-900	E-2	4
14761-KBF-9000	E-2	4
14771-GB4-6800	E-2	4
14775-MA6-0000	E-2	4
14781-KGB4-C000	E-2	4
14781-MFA6-001	E-2	4
15100-KGC4-E00	E-6	10
15119-KGC4-E00	E-6	10
15384-KGB4-C00	E-6	10
15421-107-0000	E-3	5
15426-GE1-9200	E-3	5
15439-KGC4-E00	E-5	8
15441-KGC4-E00	E-5	8
1565A-KGC4-E00	E-3	5
1576A-KGC4-E00	E-6	10
16100-KGC4-E00	E-10	15
16100-KGC4-M40	E-10	15
16211-KGB4-C00	E-1	2

PART No.	FIG. No.	PAGE No.
1630-4014	E-10	15
16502-880-0010	F-16	38
16700-KGC4-B50	F-10	30
16700-KHE7-900	F-10	30
1691A-GY6-9010-M1	F-10	30
16920-KGC4-E00	E-1	2
16950-397-631	F-10	30
17110-KGC4-E00	E-1	2
17110-KGC4-E01	E-1	2
17111-KGB4-C00	E-1	2
17211-KGC4-E00	F-12	32
17221-KGC4-E00	F-12	32
17226-KGC4-E00	F-12	32
1722A-KGC4-E00	F-12	32
1722B-KGC4-E00	F-12	32
17247-303-0010	F-20	42
17369-KB4-6700	F-21	43
17370-419-7010	F-12	32
17371-174-6700	F-12	32
17500-KGC4-E10	F-10	30
17620-GA7-0130	F-10	30
17620-GGA7-014	F-10	30
17682-KGC4-E00	F-10	30
1768A-KGC4-E10	F-10	30
1768C-KGC4-E00	F-10	30
1768D-KGC4-E00	F-10	30
17910-KGC4-E00	F-4	20
17950-KGC4-E00	F-2	17
18231-KGC4-E00	F-14	35
18233-KGC4-E00	F-14	35
18291-KGD4-C00	F-14	35
18294-KBE-9000	F-14	35
18294-KCT-9000	F-14	35

PART No.	FIG. No.	PAGE No.
1830A-KGC4-E01	F-14	35
1830A-KGC4-M40	F-14	35
18318-KGC4-E00	F-14	35
18340-KGD4-C00	F-14	35
18601-KE2-9000	F-14	35
18612-KGB5-EZ0	F-14	35
18618-LLF5-900	F-21	43
18645-GY6-9400	F-14	35
18656-KGC4-E01	F-21	43
18657-KGC4-E01	F-21	43
1880A-LLF5-90A	F-21	43
18814-KGC4-E01	F-21	43
2027-0971	E-10	15
2029-2531	E-10	15
2029-2532	E-10	15
2034-2795	E-10	15
2036-1643	E-10	15
2051-1141	E-10	15
2051-1142	E-10	15
2054-0681	E-10	15
2084-1921	E-10	15
2084-1991	E-10	15
2105-4571	E-10	15
2175-8441	E-10	15
2175-8453	E-10	15
2175-8462	E-10	15
22100-KGC4-E01	E-5	8
22121-KGC4-E00	E-5	8
22131-KGC4-E00	E-5	8
22201-KGD4-C00	E-5	8
22311-107-0010	E-5	8
22350-KGB4-C000	E-5	8
22361-KGB4-C000	E-5	8

PARTS INDEX

PART No.	FIG. No.	PAGE No.
22401-KGD4-C00	E-5	8
2260A-KGC4-E01	E-5	8
2266A-KGC4-E02-A1	E-5	8
2266A-KGC4-E02-B1	E-5	8
2281A-KGC4-E00	E-5	8
22820-KGC4-E00	E-5	8
2283A-KGC4-E00	E-5	8
22846-KGC4-E00	E-5	8
23211-KGC4-E00	E-7	12
23216-KGB4-C000	E-5	8
23217-KGB4-C000	E-5	8
23221-KGB4-C00	E-7	12
23426-KGB4-C00	E-7	12
23427-KGB4-C00	E-7	12
23441-KGB4-C00	E-7	12
23451-KGB4-C00	E-7	12
23461-KGB4-C00	E-7	12
23471-KGB4-C00	E-7	12
23481-KGC4-E00	E-7	12
23491-KGB4-C00	E-7	12
23801-KGB4-C00	E-7	12
23811-KGB4-C00	E-7	12
23912-KB5-0010	E-7	12
24221-KGB4-C00	E-8	13
24231-KGB4-C00	E-8	13
24241-KGB4-C00	E-8	13
24301-KGC4-E00	E-8	13
24411-3D24-004	E-8	13
24430-3D24-001	E-8	13
24430-KGC4-E00	E-7	12
24435-3C83-011	E-8	13
24610-KGC4-E00	E-8	13
24621-1G07-761	E-8	13

PART No.	FIG. No.	PAGE No.
24631-1G07-001	E-8	13
24651-3H98-941	E-8	13
2470A-KGC4-E10	F-16	38
28101-KGB4-C00	E-6	10
28102-KGB4-C00	E-6	10
28103-KGB4-C00	E-6	10
28110-KGB4-C00	E-6	10
28117-KGB4-C00	E-6	10
28120-KGB4-C00	E-4	6
28125-323-0010	E-4	6
28126-KGB4-C00	E-4	6
28128-KGB4-C00	E-4	6
28211-KGB4-C00	E-7	12
28221-KGB4-C00	E-7	12
28223-KGB4-C00	E-7	12
28225-KGB4-C00	E-7	12
28251-KGC4-E00	E-7	12
28254-KGB4-C00	E-7	12
28261-KGB4-C00	E-7	12
28282-KGB4-C00	E-7	12
28300-KGC4-E00	F-15	36
28311-KG7-0010	F-15	36
30400-KGC4-E00	F-19	41
3050A-KGC4-E00	F-19	41
3057-0504	E-10	15
30700-KE2-9410	F-19	41
31110-KGD4-C00	E-4	6
31120-KGD4-C00	E-4	6
31210-KGD4-C00	E-6	10
31500-KGC4-E0A	F-11	31
31500-KGC4-E0B	F-11	31
31600-KR1-7620-M1	F-19	41
32100-KGC4-E00	F-19	41

PART No.	FIG. No.	PAGE No.
32105-KGD4-C00	E-6	10
32120-155-0010	F-19	41
32962-KGB4-C00	E-4	6
33100-KGC4-E00	F-1	16
33120-KGC4-E00	F-1	16
33130-KGC4-E00	F-1	16
33400-KGC4-E00	F-17	39
33450-KGC4-E00	F-17	39
33600-KGC4-E00	F-17	39
33602-KCP-9000	F-17	39
33602-KGC4-E00	F-17	39
33606-KGC4-E00	F-17	39
33606-KPCP-900	F-17	39
33650-KGC4-E00	F-17	39
33652-KCP-9000	F-17	39
33652-KGC4-E00	F-17	39
33656-KGC4-E00	F-17	39
33656-KPCP-900	F-17	39
33700-KGC4-E00	F-18	40
33703-KGC4-E00	F-18	40
33706-KHB4-E00	F-18	40
33709-KAB-0030	F-18	40
33720-KHB4-E00	F-18	40
33722-KHB4-E000	F-18	40
33725-KHB4-E000	F-18	40
33726-KHB4-E000	F-18	40
33741-KFA6-9000	F-18	40
34901-KFA6-9000	F-1	16
34903-KCP-9000	F-18	40
34905-KCP-9000	F-17	39
34906-KCP-9000	F-18	40
34908-KCU-9000	F-1	16
34908-MB9-8710-M1	F-2	17

PART No.	FIG. No.	PAGE No.
34909-KBE-9000	F-2	17
35010-KGC4-E0A	F-19	41
35101-KFA6-3050-M1	F-19	41
35102-KGBG-9100-M1	F-19	41
35107-KE2-9800	F-2	17
3515A-KGC4-E00	F-4	20
3520A-KGC4-E00	F-4	20
35340-KBN-9000	F-5	22
35350-KAK-900	F-4	20
35357-KGC4-E00	F-16	38
35759-KGC4-E00	E-6	10
3701-3992	E-10	15
37119-KGC4-E0B	F-2	17
37200-KGC4-E00	F-2	17
37801-GA7-7000	F-10	30
37802-GA7-7000	F-10	30
37802-GGA7-701	F-10	30
3780A-KGC4-E00	F-10	30
38110-KGC4-E0A	F-19	41
38300-GW0-C110	F-2	17
38500-KGD4-C00	F-19	41
40510-KGC4-E00-N1R	F-16	38
40530-KGC4-E00	F-16	38
40546-KGC4-E00	F-16	38
4054A-KGC4-E00	F-16	38
4120A-KFB1-900	F-8	28
41241-KGC4-E01	F-8	28
42301-KGC4-E00	F-8	28
42311-KGC4-E01	F-8	28
42313-KGC4-E01	F-8	28
42601-KGC4-E01	F-8	28
42611-KGC4-E01	F-8	28
42620-KGC4-E01	F-8	28

PARTS INDEX

PART No.	FIG. No.	PAGE No.
42625-KGC4-E01	F-8	28
42701-KGC4-E00-F1S	F-8	28
42711-KGC4-E0A	F-8	28
42712-KGC4-E0A	F-8	28
42721-KGC4-E01	F-8	28
42722-KGC4-E01	F-8	28
42D9-0721	E-10	15
42D9-0801	E-10	15
42D9-1801	E-10	15
42E9-0351	E-10	15
42E9-1353	E-10	15
43100-KGC4-E01-YAA	F-5	22
43110-KGC4-E01	F-5	22
43117-KW6-90B	F-5	22
43310-KGC4-E01	F-5	22
43351-KW6-901	F-8	28
43352-568-0030	F-5	22
43352-568-0030	F-7	26
43353-461-7710-M1	F-5	22
43353-461-7710-M1	F-7	26
43431-KGC4-E01-NGS	F-16	38
43434-286-0010	F-16	38
43500-KGC4-E01	F-5	22
43503-KGC4-E01	F-5	22
43520-KGC4-305	F-5	22
44301-KHB4-9000	F-7	26
44311-046-0010	F-7	26
44601-KG7-901-NJA	F-7	26
44620-400-0000	F-7	26
44680-410-0010	F-7	26
44701-KGC4-E01-F1S	F-7	26
44711-KGC4-E0A	F-7	26
44712-KGC4-E0A	F-7	26

PART No.	FIG. No.	PAGE No.
44721-KGC4-E01	F-7	26
44722-KGC4-E01	F-7	26
44800-KGC4-E00	F-7	26
44830-KGC4-E00	F-2	17
45105-KGC4-E00	F-7	26
45108-GE2-0070	F-7	26
45108-ML4-0060	F-5	22
45109-GE2-0060	F-5	22
45109-GE2-0060	F-7	26
45121-KHC7-C00-NJS	F-7	26
45126-KGC4-E00	F-5	22
45128-KFC9-9000	F-6	24
45128-KGC4-E01	F-5	22
45131-166-0160	F-5	22
45131-166-0160	F-7	26
45131-GBE2-007	F-7	26
45131-GE2-0060	F-5	22
45131-GE2-0060	F-7	26
45132-166-0160	F-5	22
45132-166-0160	F-7	26
45133-MA3-0060	F-5	22
45133-MA3-0060	F-7	26
45150-LLB5-3050	F-5	22
45156-KCE-9000	F-6	24
45200-KGC4-E00-YAA	F-7	26
45203-MG3-0010	F-7	26
45209-GE2-0060	F-5	22
45209-GE2-0060	F-7	26
45215-GE2-0070	F-7	26
45215-KECE-900	F-5	22
45216-166-0060	F-7	26
45216-1F66-007	F-5	22
45216-KFW6-90A	F-5	22

PART No.	FIG. No.	PAGE No.
45451-471-0010	F-6	24
45513-GLW0-91A	F-5	22
45517-GFY6-900	F-4	20
45517-KFAF-910	F-5	22
45520-GLW0-91A	F-5	22
45530-KGC4-305	F-5	22
45531-GAR1-951	F-5	22
45531-GR1-9510	F-7	26
46501-KG7-0000	F-16	38
46503-KCW3-001	F-5	22
46504-MBB2-007	F-5	22
4650A-KGC4-E01	F-16	38
46514-KGC4-E00	F-16	38
47215-KHD6-900	F-5	22
47216-KGC4-E01	F-5	22
50100-KGC4-E01	F-20	42
50103-KGC4-E00-NJP	F-16	38
50149-KGC4-E00	F-20	42
50170-KGC4-E00	F-10	30
50190-KGC4-E01-NJS	F-16	38
50191-KGC4-E00-NJS	F-16	38
50301-KN7-6710	F-20	42
50302-268-0110	F-20	42
50306-196-0010	F-6	24
50326-KGC4-E00	F-11	31
5050A-KGC4-E01	F-15	36
50523-KGC4-E01	F-15	36
50524-397-0010	F-15	36
50526-KGC4-E00	F-15	36
50530-KGC4-E80	F-15	36
50531-KEB7-E000	F-15	36
50535-KEB7-E000	F-15	36
50550-KEB7-E000	F-15	36

PART No.	FIG. No.	PAGE No.
50610-KGC4-E80	F-15	36
50661-KG7-0010	F-15	36
50715-KEC8-9000	F-16	38
5071A-KGC4-E00	F-16	38
5071B-KGC4-E00	F-16	38
51401-KGC4-E00	F-22	44
5140A-KGC4-E00	F-6	24
51410-KGC4-E00	F-22	44
51411-KBE-E000	F-22	44
51413-KBE-E000	F-22	44
51420-KGC4-E00	F-22	44
5150A-KGC4-E00	F-6	24
51520-KGC4-E00	F-22	44
52108-KE5-0040	F-16	38
52108-KW6-9010	F-16	38
52110-KGC4-E01-NGS	F-16	38
52141-KGC4-E00	F-16	38
52144-GE2-0060	F-16	38
52171-KGC4-E00	F-16	38
52400-KGC4-E00	F-16	38
52400-KGC4-E00-R8S	F-16	38
53100-KGC4-E00	F-4	20
53105-KFC8-9000	F-4	20
53106-KFC8-9000	F-4	20
53125-GEN5-901	F-4	20
53140-KFC8-900-N1R	F-4	20
53166-KNBN-911-N1R	F-4	20
53172-KGC4-E00	F-4	20
53175-KEBE-900-M2A	F-5	22
53200-KGC4-E00	F-6	24
53205-KGC4-E00-B4P	F-4	20
53205-KGC4-E00-HJP	F-4	20
53205-KGC4-E00-N1P	F-4	20

PARTS INDEX

PART No.	FIG. No.	PAGE No.
53206-KGC4-E00-N1R	F-4	20
53211-GY6-9400	F-6	24
53212-250-0110	F-6	24
53212-2L50-011	F-6	24
53214-250-0010	F-6	24
53215-250-0010	F-6	24
6004-5983	E-10	15
6016-3339	E-10	15
6103-0421	E-10	15
61100-KGC4-E00-B4P	F-6	24
61100-KGC4-E00-HJP	F-6	24
61100-KGC4-E00-N8P	F-6	24
61100-KGC4-E00-R6P	F-6	24
61100-KGC4-E00-YFP	F-6	24
61101-KGC4-E00-N1R	F-6	24
61112-KGC4-E00	F-18	40
64112-KGC4-E00	F-6	24
64114-KGC4-E00	F-6	24
64210-KGC4-E00	F-4	20
64221-KGC4-E01	F-3	18
64222-KGC4-E00	F-3	18
64301-KGC4-E00-B4P	F-3	18
64301-KGC4-E00-HJP	F-3	18
64301-KGC4-E00-N8P	F-3	18
64301-KGC4-E00-R6P	F-3	18
64305-KGC4-E00-B4P	F-3	18
64305-KGC4-E00-HJP	F-3	18
64305-KGC4-E00-N1P	F-3	18
64305-KGC4-E00-YFP	F-3	18
64306-KGC4-E00-B4P	F-3	18
64306-KGC4-E00-HJP	F-3	18
64306-KGC4-E00-N1P	F-3	18
64315-KGC4-E00	F-20	42

PART No.	FIG. No.	PAGE No.
77200-KGC4-E00-T01	F-9	29
77232-KAC-9010	F-13	34
77235-KGC4-E0A	F-9	29
77235-KGC4-E0B	F-9	29
77239-GY6-3350-M1	F-19	41
77240-KGC4-E00	F-9	29
77303-KGC4-E00	F-9	29
80101-KDU-B000-IN	F-3	18
80101-KDU-B000-IN	F-13	34
80101-KGC4-E00	F-18	40
80105-KGC4-E00	F-18	40
80106-KGC4-E00	F-18	40
80151-KGC4-E00-N1R	F-13	34
80152-KGC4-E00-N1R	F-13	34
81142-KLC-9000	F-6	24
81200-KGC4-E00-N8A	F-13	34
81260-KGC4-E00	F-13	34
83500-KGC4-E00-B4P	F-13	34
83500-KGC4-E00-HJP	F-13	34
83500-KGC4-E00-N8P	F-13	34
83500-KGC4-E00-R6P	F-13	34
83500-KGC4-E00-YFP	F-13	34
83501-KGC4-E00-N1R	F-13	34
83510-KGC4-E00-N1R	F-13	34
83520-KGC4-E00-B4P	F-13	34
83520-KGC4-E00-HJP	F-13	34
83520-KGC4-E00-N8P	F-13	34
83520-KGC4-E00-R6P	F-13	34
83520-KGC4-E00-YFP	F-13	34
83551-KAK-9000	F-20	42
83600-KGC4-E00-B4P	F-13	34
83600-KGC4-E00-HJP	F-13	34
83600-KGC4-E00-N8P	F-13	34

PART No.	FIG. No.	PAGE No.
83600-KGC4-E00-R6P	F-13	34
83600-KGC4-E00-YFP	F-13	34
83601-KGC4-E00-N1R	F-13	34
83610-KGC4-E00-N1R	F-13	34
83620-KGC4-E00-B4P	F-13	34
83620-KGC4-E00-HJP	F-13	34
83620-KGC4-E00-N8P	F-13	34
83620-KGC4-E00-R6P	F-13	34
83620-KGC4-E00-YFP	F-13	34
83750-KGC4-E00-B4P	F-13	34
83750-KGC4-E00-HJP	F-13	34
83750-KGC4-E00-N8P	F-13	34
83750-KGC4-E00-R6P	F-13	34
83750-KGC4-E00-YFP	F-13	34
84707-KHC6-C000-ZF	F-18	40
86323-LBF5-E80-T01	F-23	46
86323-LBF5-E80-T02	F-23	46
86323-LBF5-E80-T03	F-23	46
86323-LBF5-E80-T04	F-23	46
86333-LBF5-E80-T01	F-23	46
86333-LBF5-E80-T02	F-23	46
86333-LBF5-E80-T03	F-23	46
86333-LBF5-E80-T04	F-23	46
86341-LBF5-E80-T01	F-23	46
86341-LBF5-E80-T02	F-23	46
86341-LBF5-E80-T03	F-23	46
86341-LBF5-E80-T04	F-23	46
86341-LBF5-E80-T05	F-23	46
86343-LBF5-E80-T01	F-23	46
86343-LBF5-E80-T02	F-23	46
86343-LBF5-E80-T03	F-23	46
86343-LBF5-E80-T04	F-23	46
86351-LBF5-E80-T01	F-23	46

PART No.	FIG. No.	PAGE No.
86351-LBF5-E80-T02	F-23	46
86351-LBF5-E80-T03	F-23	46
86351-LBF5-E80-T04	F-23	46
86351-LBF5-E80-T05	F-23	46
86353-LBF5-E80-T01	F-23	46
86353-LBF5-E80-T02	F-23	46
86353-LBF5-E80-T03	F-23	46
86353-LBF5-E80-T04	F-23	46
86423-LBF5-E80-T01	F-23	46
86423-LBF5-E80-T02	F-23	46
86423-LBF5-E80-T03	F-23	46
86423-LBF5-E80-T04	F-23	46
86433-LBF5-E80-T01	F-23	46
86433-LBF5-E80-T02	F-23	46
86433-LBF5-E80-T03	F-23	46
86433-LBF5-E80-T04	F-23	46
86543-LBF5-E80-T01	F-23	46
86543-LBF5-E80-T02	F-23	46
86543-LBF5-E80-T03	F-23	46
86543-LBF5-E80-T04	F-23	46
86553-LBF5-E80-T01	F-23	46
86553-LBF5-E80-T02	F-23	46
86553-LBF5-E80-T03	F-23	46
86553-LBF5-E80-T04	F-23	46
87206-KNCN-800-T01	F-23	46
87206-KNCN-800-T02	F-23	46
87224-LBF5-E80	F-24	47
87311-KKD6-E00-T01	F-23	46
87505-KGC4-E00-T01	F-24	47
87560-GFY6-E00-T01	F-24	47
88110-KFA1-900	F-4	20
88120-KFA1-900	F-4	20
89010-GY6-9000	F-9	29

PARTS INDEX

PART No.	FIG. No.	PAGE No.
90012-333-0010	E-2	4
90031-KGB4-C000	E-6	10
90032-KGB4-C000	E-6	10
90033-KGB4-C000	E-1	2
90081-035-0010	E-2	4
90082-0E35-011	E-1	2
90083-035-0110	E-2	4
90084-KGC4-E00	E-4	6
90087-KGD4-C00	E-4	6
90101-GJ6-0000	F-1	16
90101-KGC4-E00	F-9	29
90105-GY6-9000	F-16	38
90105-KGC4-E00	F-20	42
90105-KR1-7610	F-8	28
90106-GN5-9010	F-4	20
90106-KDU-9000	F-13	34
90106-KFC2-9000	F-4	20
90106-KGC4-E00	F-20	42
90108-KDU-E000	F-15	36
90110-GW0-0010	F-3	18
90110-GW0-0010	F-14	35
90110-KGC4-E00	F-15	36
90111-187-0000	F-13	34
90112-KBN-9010	F-13	34
90114-1F66-007	F-5	22
90120-GAR1-J00	E-1	2
90121-KGC4-E00	F-16	38
90122-KEC8-9000	F-7	26
90128-KEC8-900	F-8	28
90145-MS9-6120-M1	F-5	22
90201-KGB4-C00	E-1	2
90206-001-0010	E-2	4
90206-0A01-001	E-2	4

PART No.	FIG. No.	PAGE No.
90231-GT9-0010	E-5	8
90231-KGC4-E00	E-5	8
90231-KGC4-E00	E-9	14
90301-473-0040	F-7	26
90301-473-0040	F-16	38
90302-GY6-9010	F-3	18
90302-GY6-9010	F-5	22
90302-GY6-9010	F-6	24
90302-GY6-9010	F-13	34
90302-GY6-9010	F-16	38
90302-GY6-9010	F-18	40
90302-GY6-9400	F-13	34
90302-KBN-9000	F-4	20
90302-SA4-0040	F-3	18
90302-SA4-0040	F-13	34
90302-SA4-0040	F-18	40
90304-GE8-0040	F-4	20
90304-GE8-0040	F-16	38
90304-GE8-0040	F-20	42
90305-GE8-9010	F-16	38
90305-KW6-9120-M1	F-8	28
90306-KFO-901	F-7	26
90306-KLF0-004-SY	F-7	26
90307-GFJ6-004	F-1	16
90308-357-0010	E-4	6
90400-KDT-9000	F-1	16
90401-KGB4-C00	E-5	8
90432-086-0010	E-5	8
90433-KGC4-E00	E-1	2
90440-KGC4-E00	E-4	6
90441-035-0000	E-2	4
90442-KGC4-E00	E-1	2
90443-GC8-0010	E-3	5

PART No.	FIG. No.	PAGE No.
90443-KGC4-E00	E-1	2
90444-KGC4-E00	E-4	6
90451-0A01-001	E-8	13
90451-KGB4-C00	E-7	12
90451-KGC4-E00	E-5	8
90452-KGB4-C00	E-7	12
90452-KGC4-E00	E-5	8
90454-107-0010	E-7	12
90454-KGB4-C00	E-7	12
90455-KGB4-C00	E-7	12
90464-KGB4-C00	E-7	12
90481-035-0010	E-2	4
90485-KGB4-C00	E-2	4
90501-3L10-001	F-5	22
90505-425-001	F-16	38
90521-KGC4-E00	F-15	36
9052A-KGB4-C00	E-3	5
90545-3L00-001	F-5	22
90601-KGB4-C00	E-7	12
90605-KGB4-C00	E-7	12
90652-GHB-6410	F-12	32
90656-KUDU-900	F-4	20
90677-GR1-0030	F-18	40
90701-GF6-0010	E-1	2
90701-GY6-9010	E-4	6
90701-HB6-0110	E-9	14
91002-GY6-9010-M1	E-9	14
91101-039-0010-M1	E-5	8
91101-179-7110-M1	E-4	6
91201-KGB4-C00	E-6	10
91202-KGB4-C000	E-3	5
91203-KGB4-C00	E-7	12
91204-KGB4-C00	E-6	10

PART No.	FIG. No.	PAGE No.
91206-KGB4-C00	E-8	13
91212-4B22-007	F-5	22
91252-030-0000	F-7	26
91254-KGC4-E01	F-8	28
91254-KGC4-E01	F-22	44
91255-446-0140	F-22	44
91257-KGC4-E01	F-8	28
91258-410-0000-M2	F-7	26
91301-027-001	E-9	14
91301-0H28-001	E-1	2
91301-KBE2-710	E-6	10
91301-KGB4-C00	E-1	2
91301-KGB4-C00	E-6	10
91302-001-0210	E-1	2
91302-001-0210	E-3	5
91302-567-0040	E-4	6
91302-KGB4-C00	E-3	5
91303-377-0010	E-4	6
91303-GLE0-001	E-1	2
91303-KGC4-E01	F-8	28
91307-0E35-001	E-3	5
91307-4B22-001	E-3	5
91312-107-0010	E-6	10
91508-KV7-6710-M1	F-18	40
92000-06010-0H	E-7	12
92000-06020-0H	E-8	13
92000-06020-0H	F-16	38
92000-06022-0H	E-1	2
92000-06025-0H	E-8	13
92000-08040-0H	F-15	36
92101-05012-0H	E-4	6
92201-05020-0H	F-19	41
92811-10000	F-16	38

PARTS INDEX

PART No.	FIG. No.	PAGE No.
92912-06018-0E	F-7	26
93500-04008-0H	E-1	2
93500-05016-1B	F-4	20
93500-05025-1B	F-4	20
93500-05032-1B	F-4	20
93500-05045-1B	F-4	20
93600-04012-1G	F-5	22
93600-06016-0A	E-6	10
93700-05018-0H	F-2	17
93891-05012-07	F-4	20
93891-05020-07	F-13	34
93892-04006-08	E-6	10
93893-04012-18	F-5	22
93901-24220	F-16	38
93901-26110	F-16	38
93903-25480	F-12	32
93903-34380	F-3	18
93903-34380	F-4	20
93903-34380	F-6	24
93903-34380	F-13	34
93903-34380	F-18	40
93903-35220	F-2	17
93903-44560	F-18	40
93903-44580	F-13	34
93903-GY6-9000	F-11	31
93903-GY6-9000	F-13	34
94001-08080-0S	F-16	38
94002-08000-0S	F-5	22
94050-05080	F-17	39
94050-05080	F-18	40
94050-06080	F-5	22
94050-06080	F-9	29
94050-06080	F-10	30

PART No.	FIG. No.	PAGE No.
94050-06080	F-18	40
94050-06080	F-19	41
94050-08080	E-3	5
94050-08080	F-7	26
94050-08080	F-14	35
94050-08080	F-16	38
94101-06800	F-16	38
94108-KEC8-900	F-8	28
94111-04800	E-1	2
94111-08800	F-15	36
94111-10800	F-20	42
94201-20120	F-5	22
94201-20150	F-16	38
94201-30250	F-15	36
94251-08400	F-16	38
94301-08140	E-3	5
94301-08140	E-4	6
94301-10000	F-8	28
94301-10140	E-4	6
94301-10140	E-6	10
94510-12000	E-8	13
94510-14000	E-8	13
94510-16000	E-7	12
94510-20000	E-7	12
94520-28000	E-6	10
94601-15000-M1	E-9	14
94601-354-0010	F-22	44
94605-KBE-9000	F-22	44
94608-30000	F-22	44
95001-45100-40	F-21	43
95002-02070	F-21	43
95002-02080	F-10	30
95002-50000	F-10	30

PART No.	FIG. No.	PAGE No.
95011-40000	F-16	38
95014-72102-M1	F-15	36
95601-10035-00	F-8	28
95701-06012-08	F-5	22
95701-06012-08	F-6	24
95701-06012-08	F-9	29
95701-06012-08	F-18	40
95701-06012-08	F-19	41
95701-06016-08	F-6	24
95701-06016-08	F-20	42
95701-06022-07	F-5	22
95701-06022-08	E-5	8
95701-06025-07	F-14	35
95701-06040-07	F-14	35
95701-06045-08	F-20	42
95701-08012-08	F-19	41
95701-08020-08	F-15	36
95701-KEB7-E00	F-19	41
95701-KEB7-E000	F-9	29
95801-08016-08	F-16	38
95801-08045-08	F-6	24
95801-10050-07	F-16	38
96001-06010-08	E-6	10
96001-06012-08	E-4	6
96001-06014-02	E-4	6
96001-06014-08	E-5	8
96001-06018-08	E-7	12
96001-06020-07	F-5	22
96001-06020-08	E-1	2
96001-06020-08	E-6	10
96001-06022-08	E-4	6
96001-06022-08	F-16	38
96001-06025-07	F-4	20

PART No.	FIG. No.	PAGE No.
96001-06025-08	E-1	2
96001-06028-08	E-6	10
96001-06032-08	E-4	6
96001-06045-08	E-3	5
96001-06050-08	E-6	10
96001-06065-08	E-6	10
96001-06070-08	E-3	5
96001-06070-08	E-4	6
96001-06075-08	E-3	5
96100-60010-00	E-5	8
96100-60010-00	E-7	12
96100-62010-00	E-7	12
96100-62030-00	E-7	12
96130-60022-00	F-8	28
96140-62030-00	F-8	28
96140-63010-10	F-7	26
96211-05000	F-6	24
96211-08000	F-6	24
96220-40100	E-8	13
96600-06015-10	E-4	6
97000-KAL-9100	F-7	26
97000-KAL-9100	F-8	28
98056-5771R-00	E-1	2
98200-10700	F-19	41
XT03-0631	E-10	15