

# PARTS CATALOGUE



ATV

LAA0CE(CL)

MXU 500(4X4 / IRS)



Release Date : 2015/02/03  
Print Date : 2015/02/13

## ABOUT THIS PARTS LIST

- This parts list is compiled all service parts for model LAA0CE(CL).
- Any difference between color chart and motorcycle will be revised according to motorcycle.
- The Mark:
  1. Marking "\*\*\*" must add color code in the end before ordering parts.
  2. Marking "#" are parts with modification, Please find the details from e-Parts system.
- When modification or additions to this parts list are made a revised edition at an appropriate time.

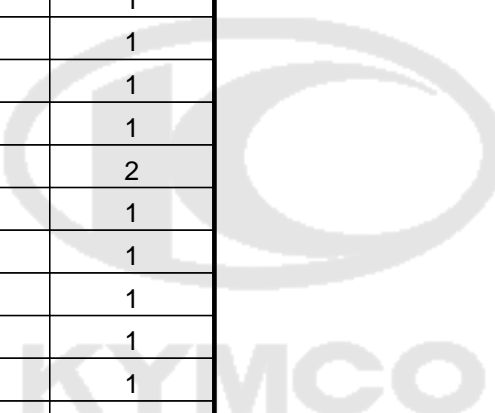


# CONTENTS

● ABOUT THIS PARTS LIST .....	1
● COLOR CHART OF LAA0CE(CL) .....	3
● CONTENTS-ENGINE GROUP .....	9
● CONTENTS-FRAME GROUP .....	10
● ENGINE PARTS LIST .....	14
● FRAME PARTS LIST .....	64
● PART NO. INDEX .....	166

NO	MODEL			COLOR CHART OF LAA0CE(CL)			
	PHOTO NO			NO. 1	NO. 2	NO. 3	NO. 4
	BASIC COLOR			Deep Blue	Red	Deep Green	White
	CODE			Deep Blue	Red	Deep Green	White
	PARTS NAME	PARTS NO.	VERSION	PB246SA	RR338SA	GG345SA	NH195SA
1	COVER TANK	17700-LDB5-E00	2	CHR	E4R	GWR	HGR
2	COVER HANDLE	53205-LDB5-E00	3				
3	FENDER FRONT	60100-LDB5-E00	5				
4	LID ASSY TOOL BOX	6010C-LDB5-E00	3				
5	FENDER REAR	80100-LDB5-E00	8				
6	LEVER SET BRK	53175-LDB5-305	0	M2A			
7	LEVER L STRG HNDL	53178-KEBE-900	0				
8	RIM COMP RR WHEEL	42705-LFE9-E00	2	MAS			
9	RIM COMP FR WHEEL	44705-LFE9-E00	1				
10	REAR CARRIER	77330-LDB5-E00	4				
11	FRONT CARRIER	77430-LDB5-E00	2				
12	PIPE COMP FR BUMPER	85100-LFE9-E00	1				
13	CUSHION ASSY FR	51400-LFE9-E00	2	MBS MAS			
14	CUSHION ASSY RR	52400-LFE9-E00	3				
15	A-ARM ASSY FRONT	53400-LFE9-E00	6				
16	A-ARM ASSY FR LOWER	53450-LFE9-E00	4				
17	A-ARM ASSY FRONT	53500-LFE9-E00	6				
18	A-ARM ASSY FR LOWER	53550-LFE9-E00	4				
19	CONTROL ARM ASSY	54400-LFE9-E00	4				
20	CONTROL ARM ASSY	54450-LFE9-E00	4				
21	CONTROL ARM ASSY	54500-LFE9-E00	4				
22	CONTROL ARM ASSY	54550-LFE9-E00	4				
23	COVER WIRE STAY	16059-LDB5-E00	4	N1R			
24	COVER FUEL COCK	16951-LDB5-E00	2				
25	GUARD FUEL TANK	17550-LDB5-E00	2				
DATE OF STARTING-SALES							
DATE OF END-SALES							

NO	MODEL			COLOR CHART OF LAA0CE(CL)			
	PHOTO NO			NO. 5	NO. 6	NO. 7	
	BASIC COLOR			Grayish	Black	Yellow Ochre	
	CODE			Grayish	Black	Yellow Ochre	
	PARTS NAME	PARTS NO.	VERSION	NH251SA	NH001SA	YR160SA	
1	COVER TANK	17700-LDB5-E00	2	HYR	N1R	YSR	
2	COVER HANDLE	53205-LDB5-E00	3				
3	FENDER FRONT	60100-LDB5-E00	5				
4	LID ASSY TOOL BOX	6010C-LDB5-E00	3				
5	FENDER REAR	80100-LDB5-E00	8				
6	LEVER SET BRK	53175-LDB5-305	0	M2A			
7	LEVER L STRG HNDL	53178-KEBE-900	0				
8	RIM COMP RR WHEEL	42705-LFE9-E00	2				
9	RIM COMP FR WHEEL	44705-LFE9-E00	1				
10	REAR CARRIER	77330-LDB5-E00	4				
11	FRONT CARRIER	77430-LDB5-E00	2				
12	PIPE COMP FR BUMPER	85100-LFE9-E00	1				
13	CUSHION ASSY FR	51400-LFE9-E00	2				
14	CUSHION ASSY RR	52400-LFE9-E00	3				
15	A-ARM ASSY FRONT	53400-LFE9-E00	6				
16	A-ARM ASSY FR LOWER	53450-LFE9-E00	4				
17	A-ARM ASSY FRONT	53500-LFE9-E00	6				
18	A-ARM ASSY FR LOWER	53550-LFE9-E00	4				
19	CONTROL ARM ASSY	54400-LFE9-E00	4				
20	CONTROL ARM ASSY	54450-LFE9-E00	4				
21	CONTROL ARM ASSY	54500-LFE9-E00	4				
22	CONTROL ARM ASSY	54550-LFE9-E00	4				
23	COVER WIRE STAY	16059-LDB5-E00	4	N1R			
24	COVER FUEL COCK	16951-LDB5-E00	2				
25	GUARD FUEL TANK	17550-LDB5-E00	2				
DATE OF STARTING-SALES							
DATE OF END-SALES							

NO	MODEL			COLOR CHART OF LAA0CE(CL)							
	PHOTO NO			NO. 1	NO. 2	NO. 3	NO. 4				
	BASIC COLOR			Deep Blue	Red	Deep Green	White				
	CODE			Deep Blue	Red	Deep Green	White				
	PARTS NAME	PARTS NO.	VERSION	PB246SA	RR338SA	GG345SA	NH195SA				
26	PLATE HEAT	17560-LDB5-600	1	 N1R							
27	DUCT COOLING AIR	19102-ALC1-E00	2								
28	GUIDE COVER CHANGE	60120-LDB5-E01	1								
29	PROTECTOR R	60130-LFE9-E01	0								
30	PROTECTOR L	60140-LFE9-E01	0								
31	MUDGUARD FRONT	60200-LDB5-E01	1								
32	MUDGUARD R FR SIDE	61200-LDB5-E01	1								
33	MUDGUARD L FR SIDE	61300-LDB5-E01	1								
34	PLATE SKID	64300-LFE9-E01	1								
35	BUMPER FRONT	64302-LDB5-E01	1								
36	COVER ASSY FRONT	6430A-LDB5-E00	1								
37	GUARD R BOOT	64330-LFE9-E00	2								
38	GUARD L BOOT	64340-LFE9-E01	1								
39	COVER ASSY CARRIER	7734A-LDB5-E01	1								
40	MUDGUARD R FLOOR	80121-LDB5-E01	1								
41	MUDGUARD L FLOOR	80122-LDB5-E01	1								
42	MUDGUARD REAR	80200-LDB5-E01	1								
43	MUDGUARD R RR SIDE	81200-LDB5-E01	1								
44	MUDGUARD L RR SIDE	81300-LDB5-E01	1								
45	COVER R SIDE	83500-LDB5-E01	2								
46	COVER L SIDE	83600-LDB5-E01	1								
47	COVER COMP HEAD	12310-LDB5-E00	2					N8A			
48	COVER LEFT	11341-LDB5-E00	5					NEA			
49	COVER STARTING	11348-LDB5-E00	2					NJA			
50	CALIPER ASSY RR BRK	43100-LFE9-E00	4					NJA			
DATE OF STARTING-SALES											
DATE OF END-SALES											

NO	MODEL			COLOR CHART OF LAA0CE(CL)							
	PHOTO NO			NO. 5	NO. 6	NO. 7					
	BASIC COLOR			Grayish	Black	Yellow Ochre					
	CODE			Grayish	Black	Yellow Ochre					
	PARTS NAME	PARTS NO.	VERSION	NH251SA	NH001SA	YR160SA					
26	PLATE HEAT	17560-LDB5-600	1	N1R							
27	DUCT COOLING AIR	19102-ALC1-E00	2								
28	GUIDE COVER CHANGE	60120-LDB5-E01	1								
29	PROTECTOR R	60130-LFE9-E01	0								
30	PROTECTOR L	60140-LFE9-E01	0								
31	MUDGUARD FRONT	60200-LDB5-E01	1								
32	MUDGUARD R FR SIDE	61200-LDB5-E01	1								
33	MUDGUARD L FR SIDE	61300-LDB5-E01	1								
34	PLATE SKID	64300-LFE9-E01	1								
35	BUMPER FRONT	64302-LDB5-E01	1								
36	COVER ASSY FRONT	6430A-LDB5-E00	1								
37	GUARD R BOOT	64330-LFE9-E00	2								
38	GUARD L BOOT	64340-LFE9-E01	1								
39	COVER ASSY CARRIER	7734A-LDB5-E01	1								
40	MUDGUARD R FLOOR	80121-LDB5-E01	1								
41	MUDGUARD L FLOOR	80122-LDB5-E01	1								
42	MUDGUARD REAR	80200-LDB5-E01	1								
43	MUDGUARD R RR SIDE	81200-LDB5-E01	1								
44	MUDGUARD L RR SIDE	81300-LDB5-E01	1								
45	COVER R SIDE	83500-LDB5-E01	2								
46	COVER L SIDE	83600-LDB5-E01	1								
47	COVER COMP HEAD	12310-LDB5-E00	2					N8A			
48	COVER LEFT	11341-LDB5-E00	5					NEA			
49	COVER STARTING	11348-LDB5-E00	2					NJA			
50	CALIPER ASSY RR BRK	43100-LFE9-E00	4					NJA			
DATE OF STARTING-SALES											
DATE OF END-SALES											

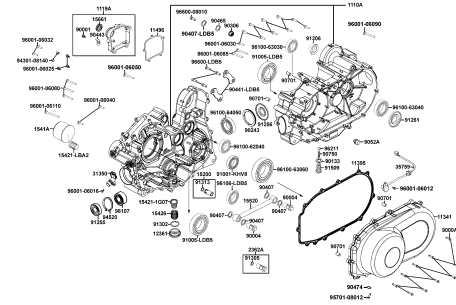
NO	MODEL			COLOR CHART OF LAA0CE(CL)			
	PHOTO NO			NO. 1	NO. 2	NO. 3	NO. 4
	BASIC COLOR			Deep Blue	Red	Deep Green	White
	CODE			Deep Blue	Red	Deep Green	White
	PARTS NAME	PARTS NO.	VERSION	PB246SA	RR338SA	GG345SA	NH195SA
51	CALIPER ASSY RR BRK	43200-LFE9-E00	3	NJA			
52	CALIPER ASSY FR BRK-	45100-LFE9-E00	4				
53	CALIPER ASSY FR BRK-	45200-LFE9-E00	4				
54	SEAT ASSY	77200-LFE9-E00	0	T01			
55	STRIPE K-LOGO 28.5MM	86102-LDB5-900	3				
56	EMB GEAR REVEAL	86302-LDB5-E00	1				
57	CAUTION SHIFIT GEARS	87322-LBA7-E00	3				
58	LABEL TIRE ON ROAD	87505-LFE9-E01	1				
59	CAUTION MAXIMUM	87514-LFE9-E02	2				
60	DRIVE WARNING LIST-	87515-LDB5-E01	2				
61	CAUTION DRIVE AGE 16	87517-LDB5-E00	2				
62	WARNING DECAL DIFF	87529-LFE9-M30	1				
63	WARNING CARRIER	87556-LDB5-E00	1				
64	WARNING CARRIER	87556-LDB5-E01	2	T01			
65	STRIPE 4*4	86303-LDB5-E00	2				
66	STRIPE R FUEL TANK	86223-LFE9-E61	0	T02		T02	
67	STRIPE L FUEL TANK	86233-LFE9-E61	1	T02		T02	
68	STRIPE KYMCO 120MM	87503-LDB5-900	2	T03			T02
69	STRIPE KYMCO	87532-LBE8-900	2	T03			
70	STRIPE K-LOGO 60MM	87532-LCA5-900	1				
DATE OF STARTING-SALES							
DATE OF END-SALES							



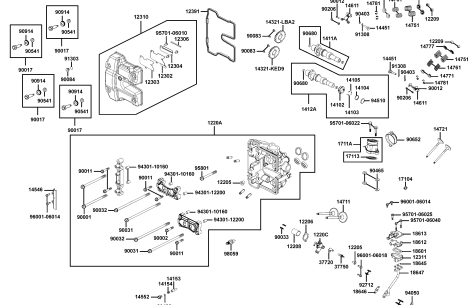
NO	MODEL			COLOR CHART OF LAA0CE(CL)						
	PHOTO NO			NO. 5	NO. 6	NO. 7				
	BASIC COLOR			Grayish	Black	Yellow Ochre				
	CODE			Grayish	Black	Yellow Ochre				
	PARTS NAME	PARTS NO.	VERSION	NH251SA	NH001SA	YR160SA				
51	CALIPER ASSY RR BRK	43200-LFE9-E00	3	NJA						
52	CALIPER ASSY FR BRK-	45100-LFE9-E00	4							
53	CALIPER ASSY FR BRK-	45200-LFE9-E00	4							
54	SEAT ASSY	77200-LFE9-E00	0							
55	STRIPE K-LOGO 28.5MM	86102-LDB5-900	3							
56	EMB GEAR REVEAL	86302-LDB5-E00	1							
57	CAUTION SHIFIT GEARS	87322-LBA7-E00	3							
58	LABEL TIRE ON ROAD	87505-LFE9-E01	1							
59	CAUTION MAXIMUM	87514-LFE9-E02	2				T01			
60	DRIVE WARNING LIST-	87515-LDB5-E01	2							
61	CAUTION DRIVE AGE 16	87517-LDB5-E00	2							
62	WARNING DECAL DIFF	87529-LFE9-M30	1							
63	WARNING CARRIER	87556-LDB5-E00	1							
64	WARNING CARRIER	87556-LDB5-E01	2	T02						
65	STRIPE 4*4	86303-LDB5-E00	2							
66	STRIPE R FUEL TANK	86223-LFE9-E61	0				T02			
67	STRIPE L FUEL TANK	86233-LFE9-E61	1							
68	STRIPE KYMCO 120MM	87503-LDB5-900	2	T02	T03	T02				
69	STRIPE KYMCO	87532-LBE8-900	2	T03						
70	STRIPE K-LOGO 60MM	87532-LCA5-900	1							
DATE OF STARTING-SALES										
DATE OF END-SALES										

# CONTENTS - ENGINE GROUP

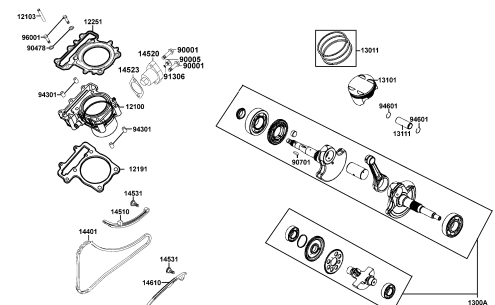
## E01 Crank Case



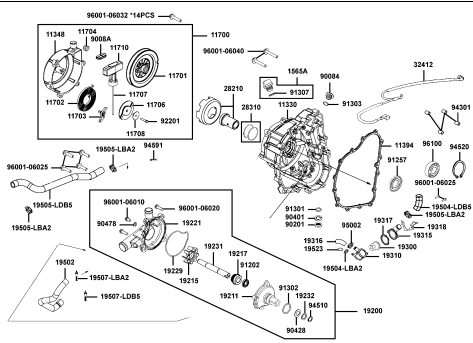
## E02 Cylinder Head Cover Cylinder



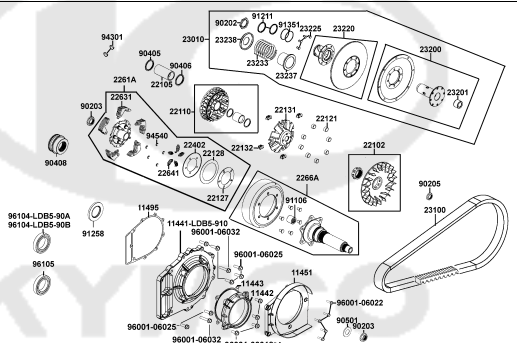
## E03 Cylinder Piston Crankshaft



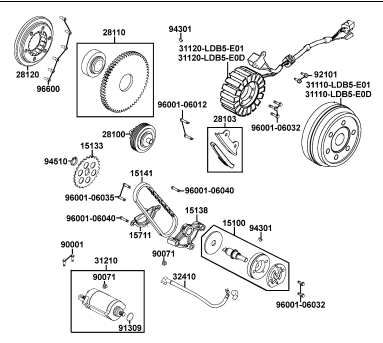
## E04 Right Crankcase Cover Water



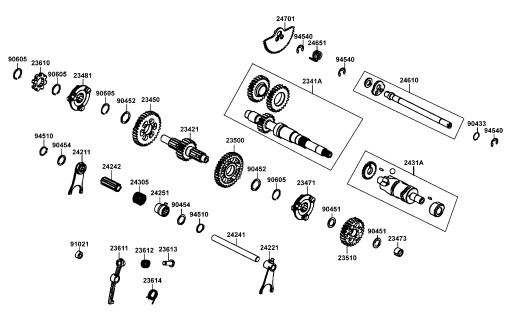
## E05 Drive Pulley



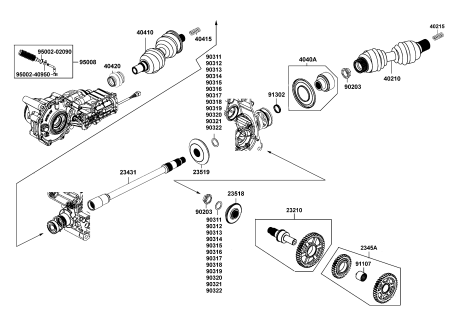
## E06 Starting Motor Generator



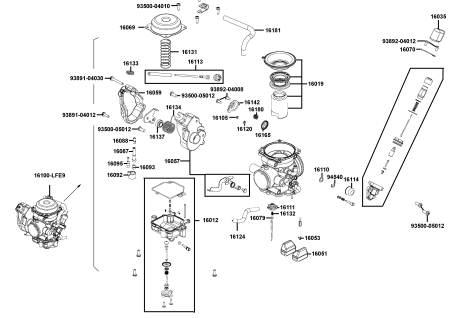
## E07 Clutch Assy Primary



## E08 Shaft Reduction



## E09 Carburetor



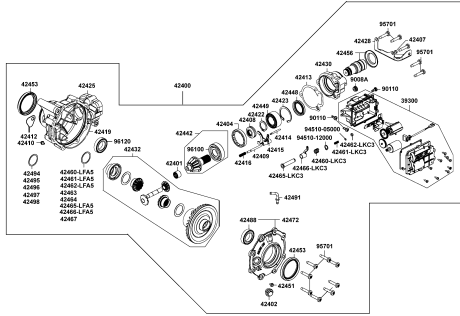




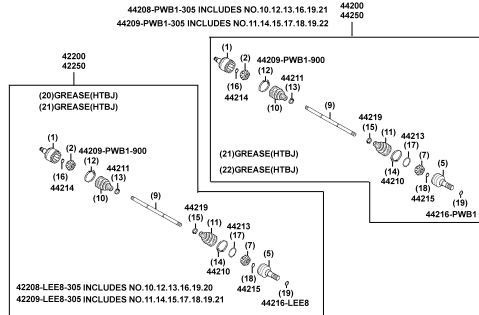


# CONTENTS - FRAME GROUP

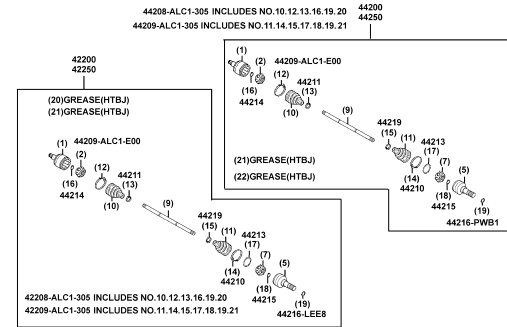
## F27-1 Separated Parts Of Fr Final



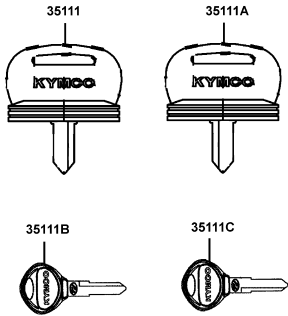
## F28 Separated Parts Of CVJ



## F28-1 Separated Parts Of CVJ



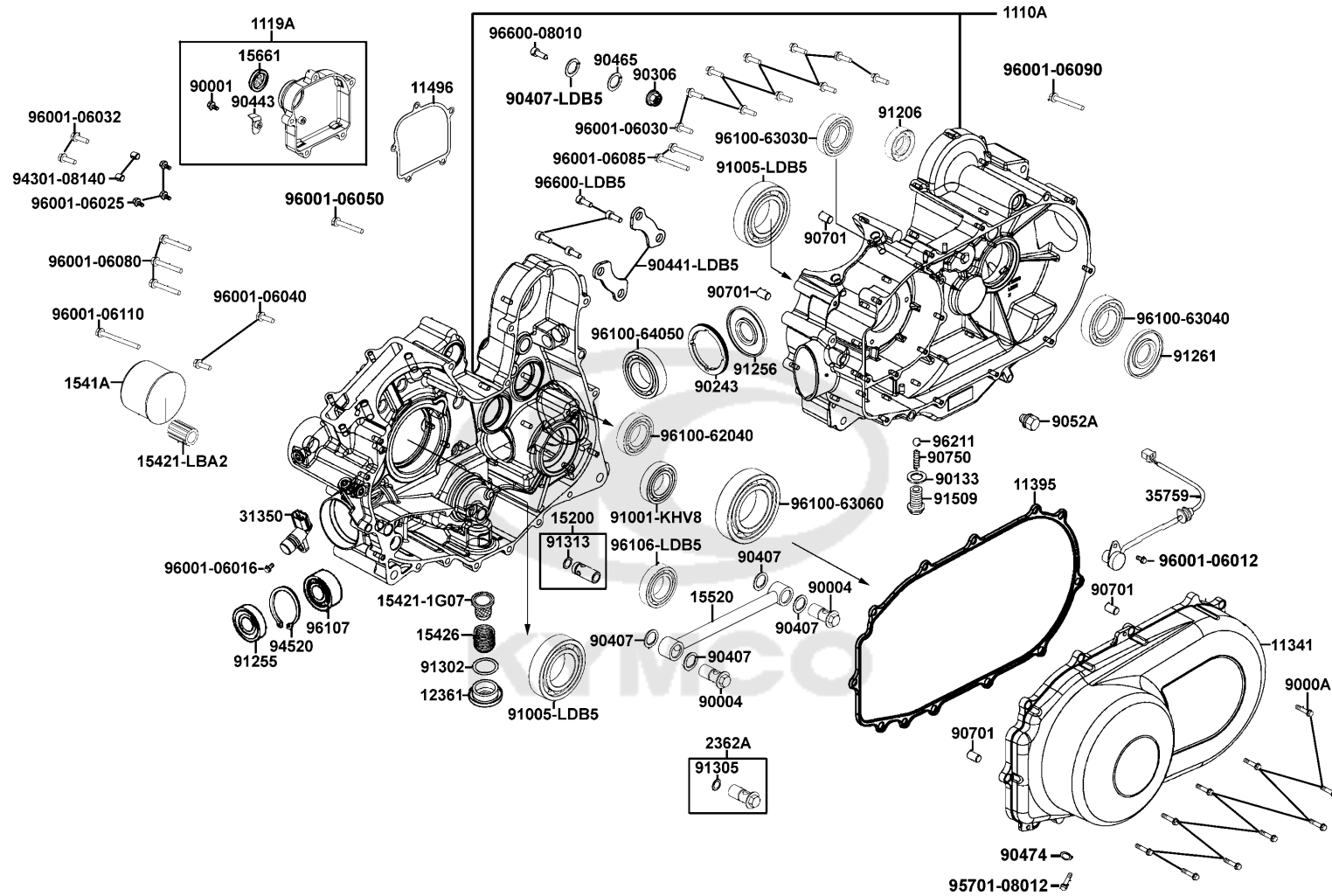
## F29 Key Comp





E01

# Crank Case

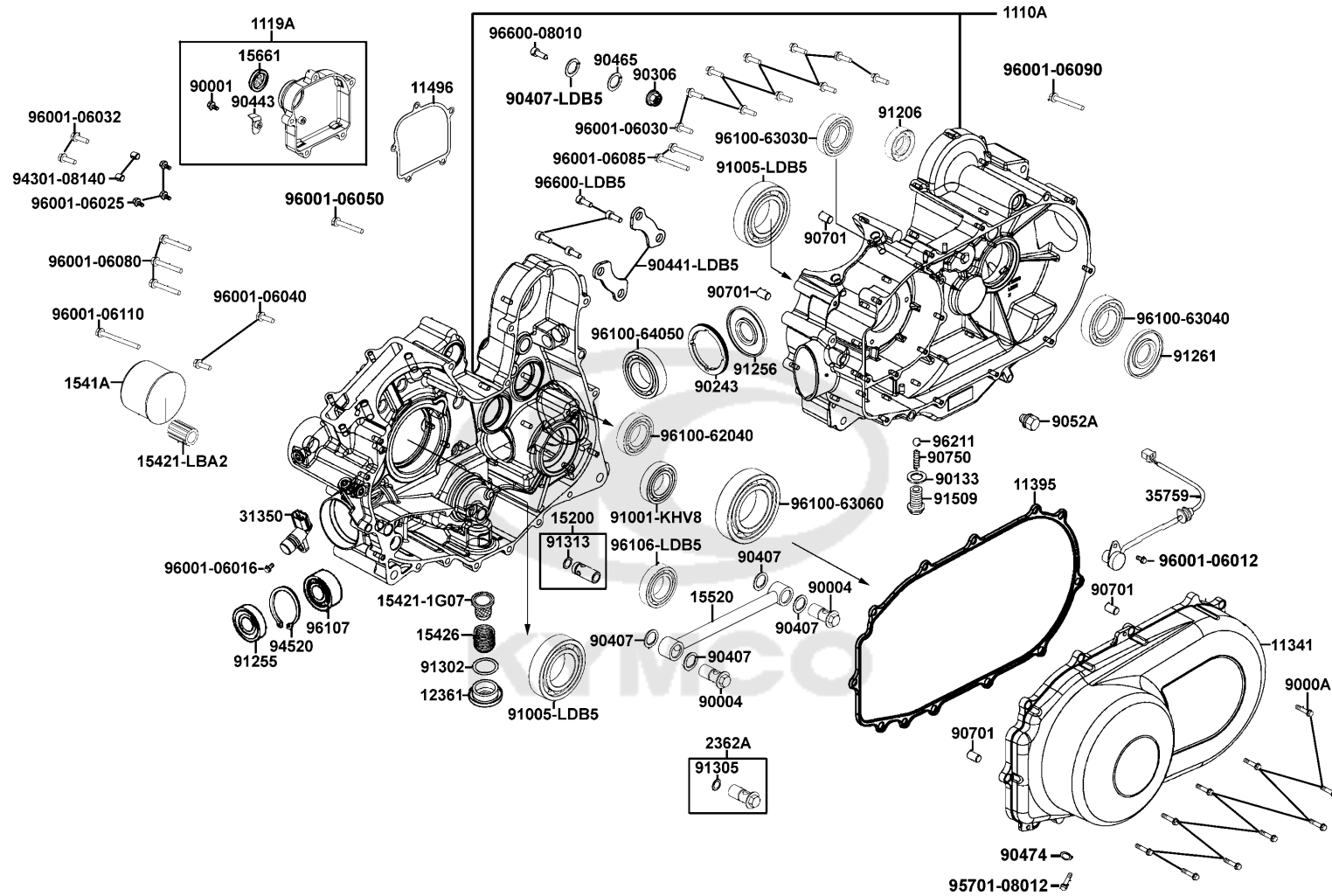


Sales mark	Ref no	Part no	Description	Reg description	Regd no	E01
	1110A	1110A-LDB5-E00	CASE ASSY R/L CRANK	CASE ASSY R/L CRANK	1	
	1119A	1119A-LDB5-E00	CAP ASSY R CASE	CAP ASSY R CASE	1	
**	11341	11341-LDB5-E00	COVER LEFT	COVER LEFT	1	
	11395	11395-LDB5-E00	GASKET L COVER	GASKET L COVER	1	
	11496	11496-LDB5-E00	GASKET R CASE CAP	GASKET R CASE CAP	1	
	12361	12361-GFY6-901	HOLE CAP TAPPET ADJUSTING	HOLE CAP TAPPET ADJUSTING	1	
	15200	15200-KED9-900	OIL RELIEF VALVE ASSY	OIL RELIEF VALVE ASSY	1	
	1541A	1541A-LBA2-E00	ELEMENT COMP OIL FILTER	ELEMENT COMP OIL FILTER	1	
	15421-1G07	15421-1G07-001	SCREEN OIL FILTER	SCREEN OIL FILTER	1	
	15421-LBA2	15421-LBA2-E00	BOLT OIL FILTER	BOLT OIL FILTER	1	
	15426	15426-GAE1-921	SPG OIL FILTER SCREEN	SPG OIL FILTER SCREEN	1	
	15520	15520-LDB5-E00	PIPE COMP OIL	PIPE COMP OIL	1	
	15661	15661-LBA7-900	FINDER OIL LEVEL	FINDER OIL LEVEL	1	
	2362A	2362A-LDB5-E00	BOLT ASSY PARK	BOLT ASSY PARK	1	
	31350	31350-LDB5-E0A	SENSOR SPEED	SENSOR SPEED	1	
	35759	35759-LDB5-E00	SW ASSY GEAR CHANGE	SW ASSY GEAR CHANGE	1	
	90001	90001-GFY6-901	SOCKET BOLT 6*10	SOCKET BOLT 6*10	1	
	90004	90004-LBA2-E00	BOLT B OIL PASS	BOLT B OIL PASS	2	
	9000A	9000A-KTDT-900	BOLT ASSY SPECIAL 6*29.5	BOLT ASSY SPECIAL 6*29.5	10	
	90133	90133-LDB5-E00	WASHER BOLT SEAT	WASHER BOLT SEAT	1	



E01

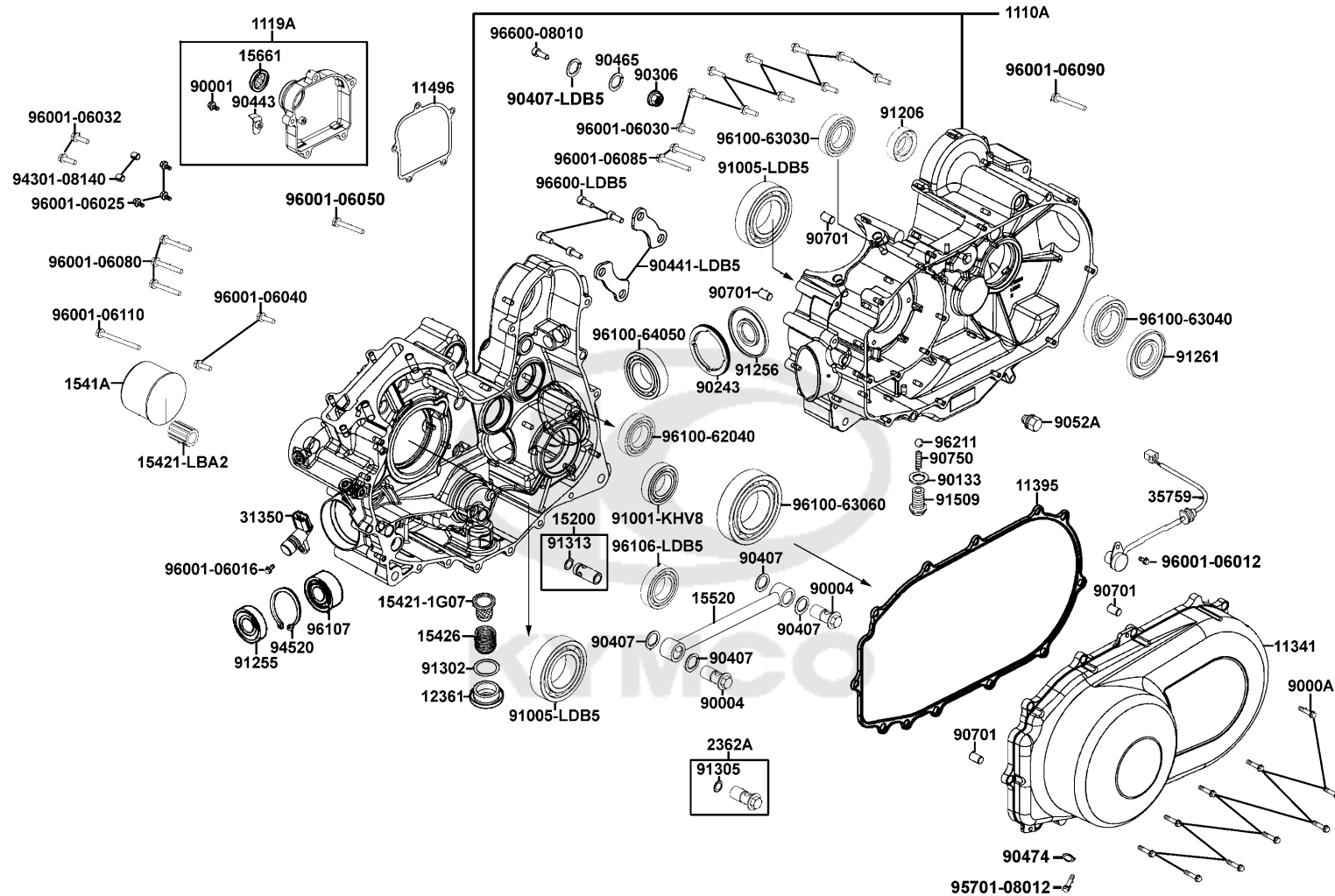
# Crank Case



Sales mark	Ref no	Part no	Description	Reg description	Regd no	E01
	90243	90243-LDB5-E00	NUT LOCK 85MM	NUT LOCK 85MM	1	
	90306	90306-KLF0-004-SY	NUT FLANGE 12MM	NUT FLANGE 12MM	1	
	90407	90407-LBA2-E00	SEALING WASHER OIL PIPE	SEALING WASHER OIL PIPE	4	
	90407-LDB5	90407-LDB5-E00	WASHER THRUST 12*30*1	WASHER THRUST 12*30*1	1	
	90441-LDB5	90441-LDB5-E00	PLATE BRG HOLD	PLATE BRG HOLD	2	
	90443	90443-LDB5-E00	PLATE FINDER HOLD	PLATE FINDER HOLD	1	
	90465	90465-MDC4-001	WASHER 8MM	WASHER 8MM	1	
	90474-3C33	90474-3C33-001	WASHER 8MM	WASHER 8MM	1	
	9052A	9052A-LDB5-E00	BOLT ASSY DRAIN PLUG	BOLT ASSY DRAIN PLUG	1	
	90701	90701-9E65-001	PIN DOWEL 10*16	PIN DOWEL 10*16	4	
	90750	90750-LDB5-E00	SPG STOPPER	SPG STOPPER	1	
	91001-KHV8	91001-KHV8-004	BRG BALL RADIAL 6305	BRG BALL RADIAL 6305	1	
	91005-LDB5	91005-LDB5-E00	BEARING BALL RADIAL 6205	BEARING BALL RADIAL 6205	2	
	91206	91206-LDB5-E00	OIL SEAL 14*24*7	OIL SEAL 14*24*7	1	
	91255	91255-LDB5-E00	OIL SEAL 35*67*7	OIL SEAL 35*67*7	1	
	91256	91256-LDB5-E00	OIL SEAL 35*90*7	OIL SEAL 35*90*7	1	
	91261	91261-LDB5-E00	OIL SEAL 30*72*8	OIL SEAL 30*72*8	1	
	91302	91302-0A01-021	O-RING 30.8M/M	O-RING 30.8M/M	1	
	91305	91305-GLE0-001	O-RING 9*1.7	O-RING 9*1.7	1	
	91313	91313-KED9-900	O-RING 15.5*1.5	O-RING 15.5*1.5	1	

E01

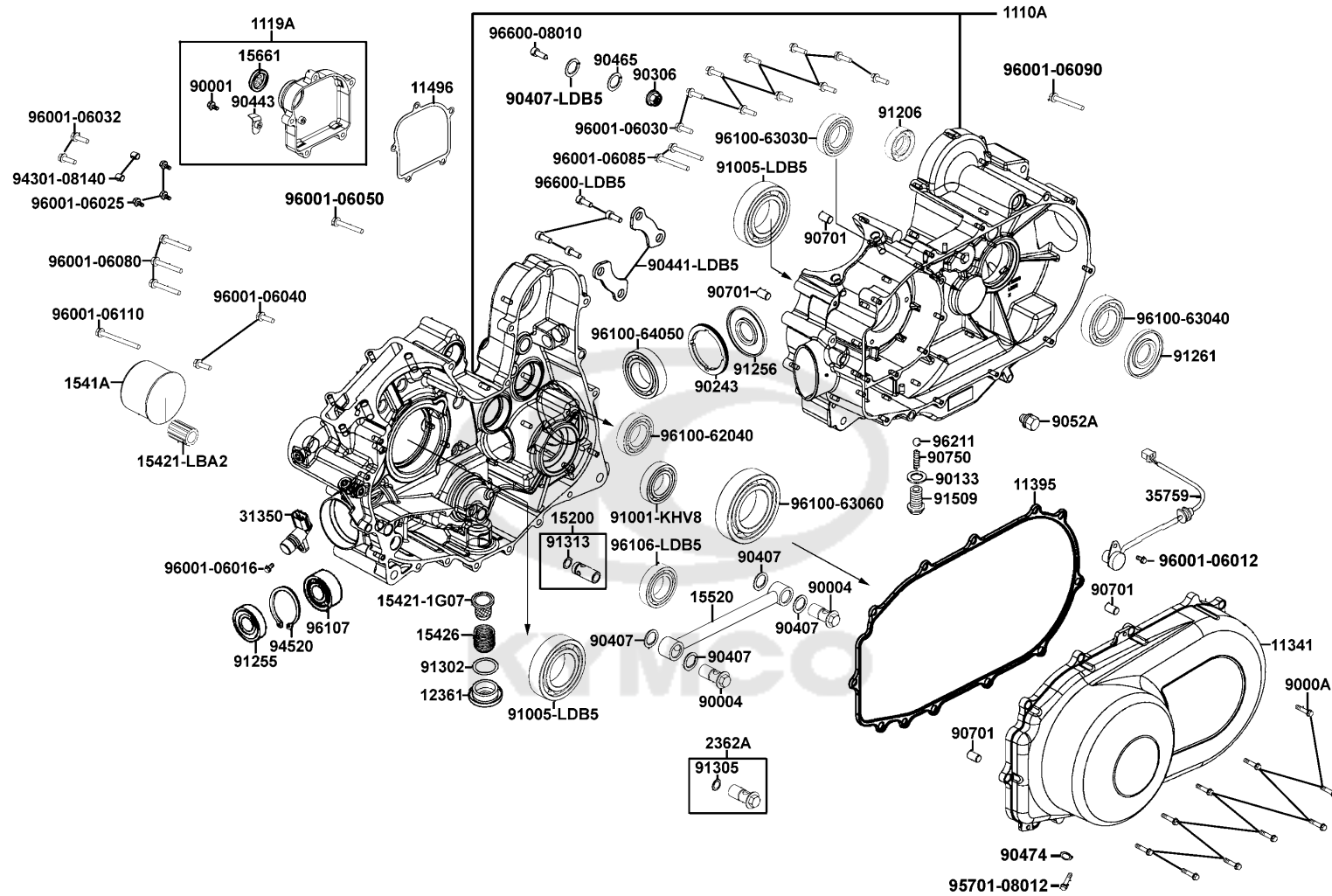
# Crank Case



Sales mark	Ref no	Part no	Description	Reg description	Regd no	E01
	91509	91509-LDB5-E00	BOLT STOPPER	BOLT STOPPER	1	
	94301-08140	94301-08140	DOWEL PIN 8*14	DOWEL PIN 8*14	2	
	94520	94520-65000	CIR CLIP IN 65	CIR CLIP IN 65	1	
#	95701-08012	95701-08012-06	BOLT FLANGE 8*12	BOLT FLANGE 8*12	1	
#	96001-06012	96001-06012-06	BOLT FLANGE SH 6*12	BOLT FLANGE SH 6*12	1	
#	96001-06016	96001-06016-06	BOLT FLANGE SH 6*16	BOLT FLANGE SH 6*16	1	
#	96001-06025	96001-06025-06	BOLT FLANGE SH 6*25	BOLT FLANGE SH 6*25	1	
#	96001-06030	96001-06030-06	BOLT FLANGE SH 6*30 (G)	BOLT FLANGE SH 6*30 (G)	1	
#	96001-06032	96001-06032-06	BOLT FLANGE 6*32	BOLT FLANGE 6*32	1	
#	96001-06040	96001-06040-06	BOLT FLANGE SH 6*40	BOLT FLANGE SH 6*40	1	
#	96001-06050	96001-06050-06	BOLT FLANGE SH 6*50	BOLT FLANGE SH 6*50	1	
#	96001-06080	96001-06080-06	BOLT FLANGE SH 6*80(G)	BOLT FLANGE SH 6*80(G)	1	
#	96001-06085	96001-06085-06	BOLT FLANGE 6*85	BOLT FLANGE 6*85	1	
#	96001-06090	96001-06090-06	BOLT FLANGE SH 6*90	BOLT FLANGE SH 6*90	1	
#	96001-06110	96001-06110-06	BOLT FLANGE SH 6*110	BOLT FLANGE SH 6*110	1	
	96100-62040	96100-62040-00	BEARING BALL RADIAL 6204	BEARING BALL RADIAL 6204	1	
	96100-63030	96100-63030-00	BEARING BALL RADIAL 6303	BEARING BALL RADIAL 6303	1	
	96100-63040	96100-63040-00	BRG BALL RADIAL 6304	BRG BALL RADIAL 6304	1	
	96100-63060	96100-63060-00	BRG BALL RADIAL 6306	BRG BALL RADIAL 6306	1	
	96100-64050	96100-64050-00	BRG BALL RADIAL 6405	BRG BALL RADIAL 6405	1	

E01

# Crank Case



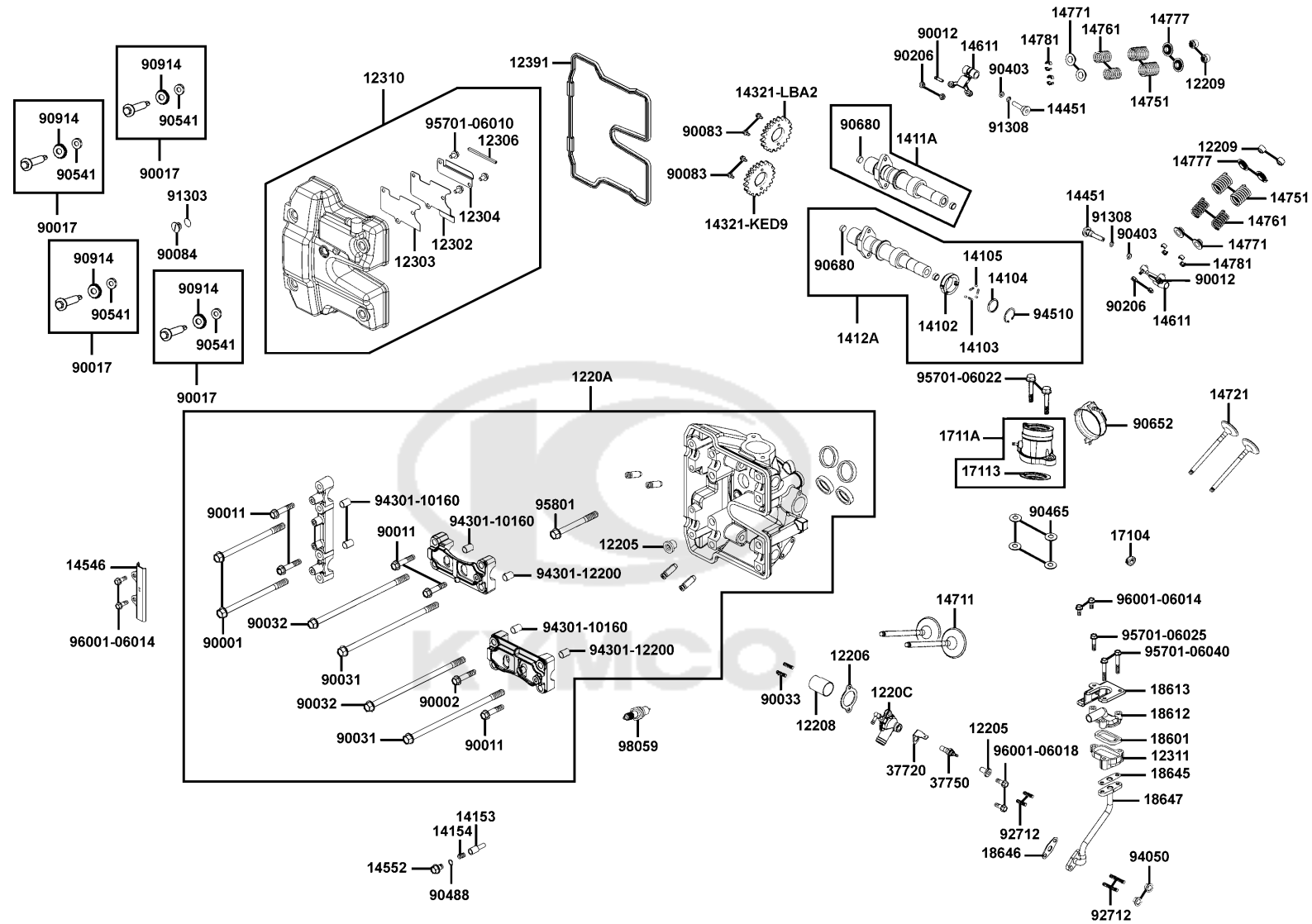
Sales mark	Ref no	Part no	Description	Reg description	Regd no	<b>E01</b>
------------	--------	---------	-------------	-----------------	---------	------------

	96106-LDB5	96106-LDB5-E00	BEARING BALL RADIAL	BEARING BALL RADIAL	1	
	96107	96107-LDB5-E00	BEARING BALL RADIAL	BEARING BALL RADIAL	1	
	96211	96211-16000	BALL STEEL #16	BALL STEEL #16	1	
#	96600-08010	96600-08010-16	SOCKET BOLT 8*10	SOCKET BOLT 8*10	1	
#	96600-LDB5	96600-08020-16	SOCKET BOLT 8X20	SOCKET BOLT 8X20	4	
#	96600-LDB5	96600-LDB5-E00	SOCKET BOLT 8*20	SOCKET BOLT 8*20	4	



E02

# Cylinder Head Cover Cylinder Head

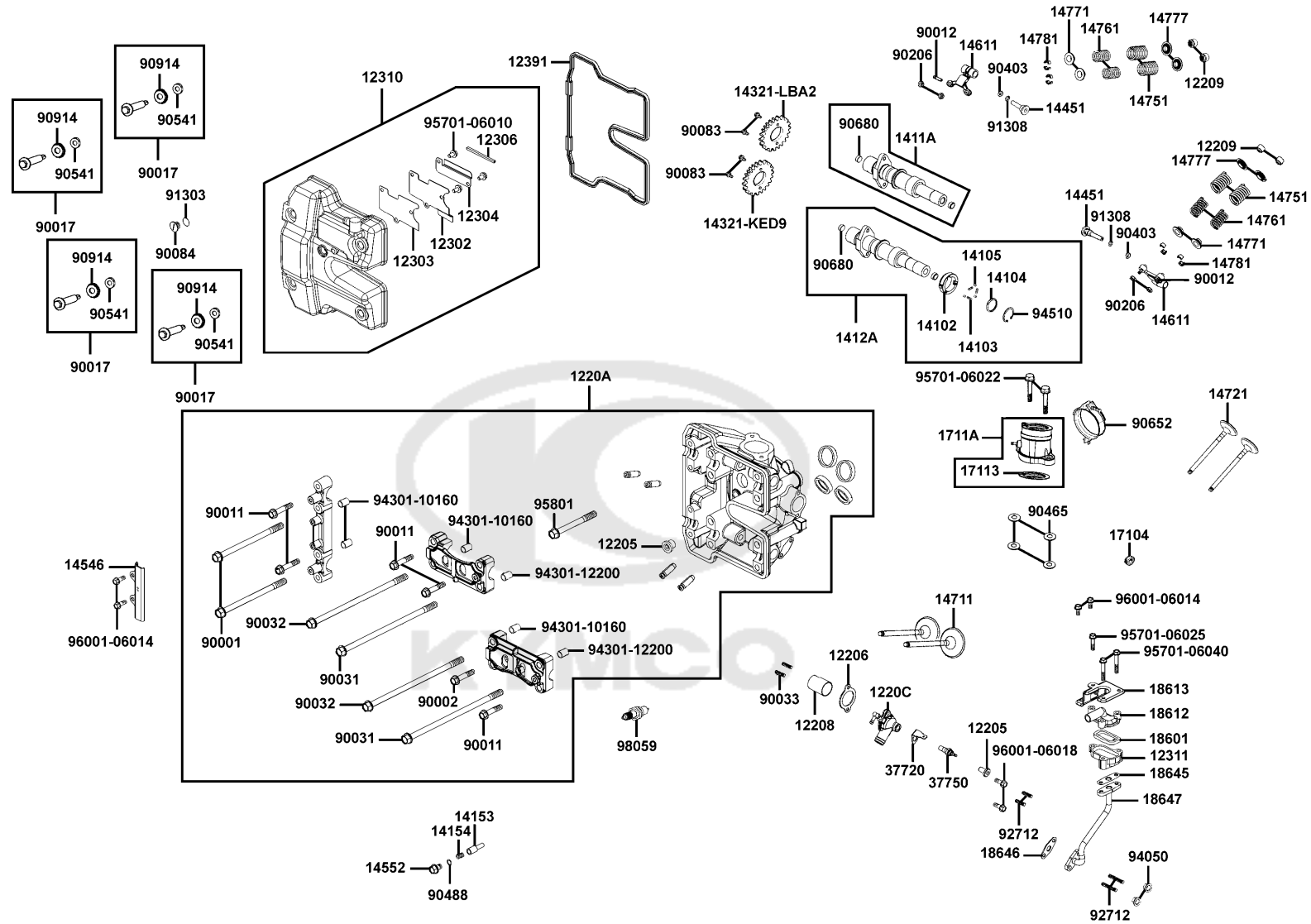


Sales mark	Ref no	Part no	Description	Reg description	Regd no	<b>E02</b>
	12205	12205-KHE8-301	BOLT SEALING 12MM	BOLT SEALING 12MM	3	
	12206	12206-LBA2-E00	GASKET WATER COVER	GASKET WATER COVER	1	
	12208	12208-LBA2-E00	STOPPER HEAD WATER	STOPPER HEAD WATER	1	
	12209	12209-GDB4-68B	SEAL VALVE STEM	SEAL VALVE STEM	1	
	1220A	1220A-LDG7-900	HEAD ASSY CYLNDER	HEAD ASSY CYLNDER	1	
	1220C	1220C-LEE8-E00	WATER COVER HEAD	WATER COVER HEAD	1	
	12302	12302-LBA2-E00	PLATE BREATHER SEPARATER	PLATE BREATHER SEPARATER	1	
	12303	12303-LBA2-E00	GASKET PLATE	GASKET PLATE	1	
	12304	12304-LBA2-E00	PLATE BREATHER SEPARATOR @A	PLATE BREATHER SEPARATOR @A	1	
	12306	12306-LBA2-E00	RUBBER SEPARATOR	RUBBER SEPARATOR	1	
**	12310	12310-LDB5-E00	COVER COMP HEAD	COVER COMP HEAD	1	
	12311	12311-KBE2-900	BODY REED VALVE	BODY REED VALVE	1	
	12391	12391-LBA2-E00	SEAL HEAD COVER	SEAL HEAD COVER	1	
	14102	14102-LDG7-E00	CAM	CAM	1	
	14103	14103-GEN5-912	SPG ROLLER	SPG ROLLER	3	
	14104	14104-LBA2-E00	WASHER THRUST	WASHER THRUST	1	
	14105	14105-GEN5-910	ROLLER 3*5	ROLLER 3*5	3	
	1411A	1411A-LBA2-E00	CAMSHAFT INLET COMP	CAMSHAFT INLET COMP	1	
	1412A	1412A-LDG7-E00	CAMSHAFT EXH COMP	CAMSHAFT EXH COMP	1	
	14153	14153-LBA2-E00	STOPPER	STOPPER	1	



E02

# Cylinder Head Cover Cylinder Head



Sales mark	Ref no	Part no	Description	Reg description	Regd no	<b>E02</b>
14154		14154-LBA2-E00	SPRING STOPPER	SPRING STOPPER	1	
14321-KED9		14321-KED9-900	SPROCKET CAMSHAFT	SPROCKET CAMSHAFT	1	
14321-LBA2		14321-LBA2-E00	SPROCKET CAMSHAFT	SPROCKET CAMSHAFT	1	
14451		14451-LBA2-E00	SHAFT ROCKER ARM	SHAFT ROCKER ARM	2	
14546		14546-LBA2-E00	GUIDE UPPER TENSIONER	GUIDE UPPER TENSIONER	1	
14552		14552-KGBG-900	STOPPER BOLT	STOPPER BOLT	1	
14611		14611-LBA2-E00	ARM VALVE ROCKER	ARM VALVE ROCKER	2	
14711		14711-LDG7-900	VALVE INLET	VALVE INLET	2	
14721		14721-LBA2-E00	VALVE EXHAUST	VALVE EXHAUST	2	
14751		14751-LBA2-E00	SPG VALVE OUTER	SPG VALVE OUTER	4	
14761		14761-LDG7-900	SPG VALVE INNER	SPG VALVE INNER	4	
14771		14771-KED9-900	RETAINER VALVE SPRING	RETAINER VALVE SPRING	4	
14777		14777-LBA2-E00	SEAT VALVE SPG	SEAT VALVE SPG	4	
14781		14781-MFA6-001	COTTER VALVE	COTTER VALVE	8	
17104		17104-LFE9-E00	SOCKET INLET PIPE	SOCKET INLET PIPE	1	
17113		17113-LBA2-E00	O-RING INLET PIPE	O-RING INLET PIPE	1	
1711A		1711A-LFE9-E00	PIPE ASSY INLET	PIPE ASSY INLET	1	
18601		18601-KBE2-900	REED VALVE COMP LDV 52*27*6.0	REED VALVE COMP LDV 52*27*6.0	1	
18612		18612-KFB5-900	COVER REED VALVE	COVER REED VALVE	1	
18613		18613-LDB5-E00	STAY REED VALVE ASSY	STAY REED VALVE ASSY	1	



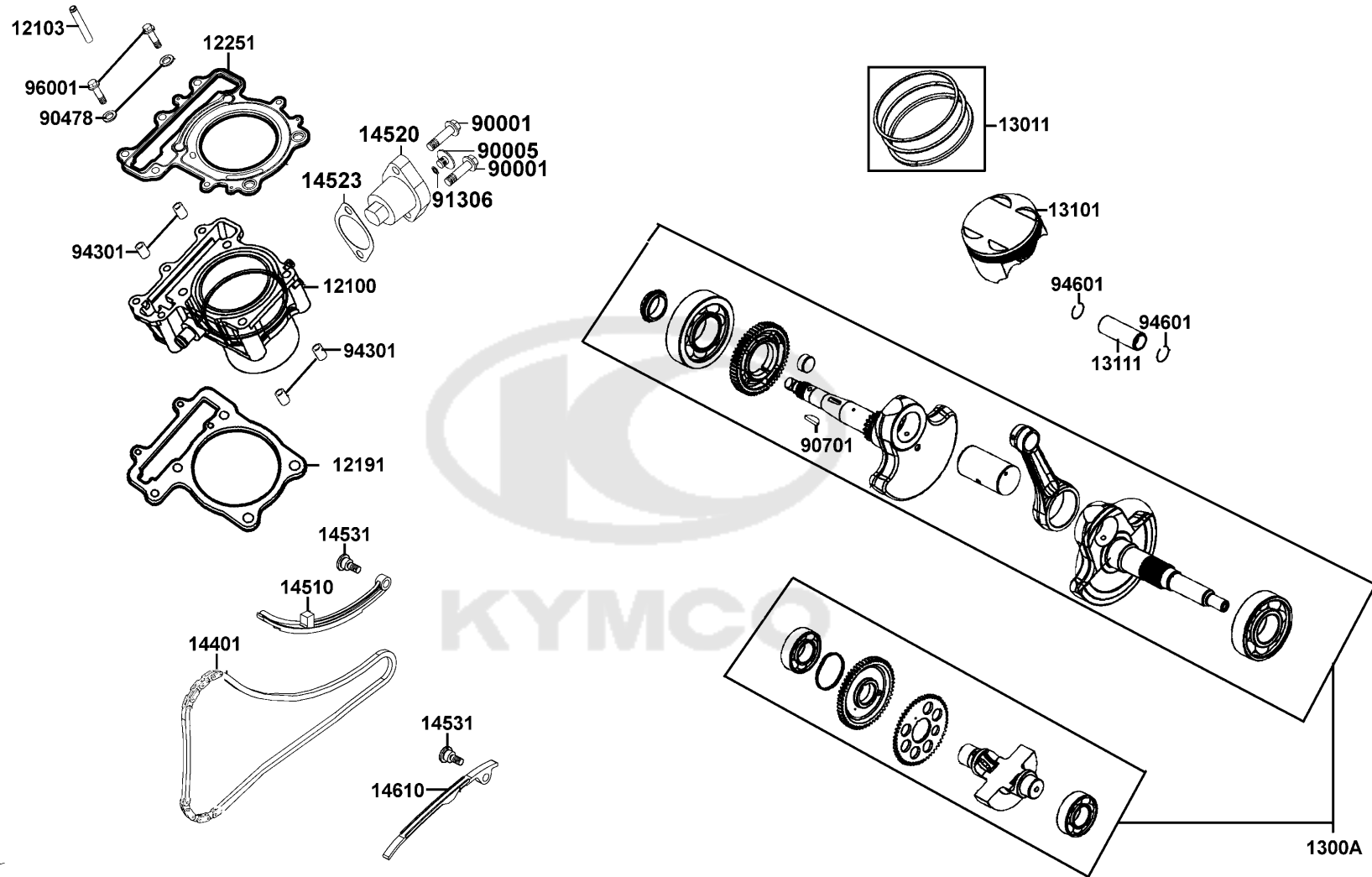
Sales mark	Ref no	Part no	Description	Reg description	Regd no	E02
18645		18645-LBA2-E00	GASKET A/I PIPE	GASKET A/I PIPE	1	
18646		18646-GFY6-941	GASKET A/I PIPE	GASKET A/I PIPE	1	
18647		18647-LBA2-E00	PIPE COMP AIR	PIPE COMP AIR	1	
37720		37720-KGB5-900	EARTH TERMINAL THERMO	EARTH TERMINAL THERMO	1	
37750		37750-PAC1-005	THERMO UNIT ASSY	THERMO UNIT ASSY	1	
90001		90001-LBA2-E00	BOLT UBS 8*137	BOLT UBS 8*137	2	
90002		90002-LBA2-E00	BOLT UBS 8*201	BOLT UBS 8*201	1	
90011		90011-KED9-900	BOLT UBS 8*48	BOLT UBS 8*48	5	
90012		90012-3C33-001	SCREW TAPPET ADJUSTING	SCREW TAPPET ADJUSTING	4	
90017		90017-KED9-900	BOLT ASSY HEAD COVER	BOLT ASSY HEAD COVER	4	
90031		90031-LBA2-E00	BOLT UBS 10*220	BOLT UBS 10*220	2	
90032		90032-LBA2-E00	BOLT UBS 10*210	BOLT UBS 10*210	2	
90033		90033-GFY6-900	BOLT STUD 8*32	BOLT STUD 8*32	2	
90083		90083-KED9-900	BOLT KNOCK 6MM	BOLT KNOCK 6MM	4	
90084		90084-4H28-001	CAP ACG	CAP ACG	1	
90206		90206-0A01-001	NUT TAPPET ADJG	NUT TAPPET ADJG	4	
90403		90403-KED9-900	WASHER WAVE 10MM	WASHER WAVE 10MM	2	
90465		90465-LBA2-E00	WASHER 10.2 MM	WASHER 10.2 MM	4	
90488		90488-7L00-001	WASHER 8MM	WASHER 8MM	1	
90541		90541-KED9-900	RUBBER MOUNTING	RUBBER MOUNTING	4	



Sales mark	Ref no	Part no	Description	Reg description	Regd no	E02
	90652	90652-LBA2-E00	C-HOPE 40-59	C-HOPE 40-59	1	
	90680	90680-LBA2-E00	CONE TYPE PLUG 12*7	CONE TYPE PLUG 12*7	2	
	90914	90914-KED9-900	WASHER HEAD COVER BOLT	WASHER HEAD COVER BOLT	4	
	91303	91303-3G77-001	O-RING 13.8*2.5	O-RING 13.8*2.5	1	
	91308	91308-KED9-900	O-RING 17.5*1.5	O-RING 17.5*1.5	2	
#	92712	92712-06028-0B	BOLT STUD 6*28	BOLT STUD 6*28	4	
	94050	94050-06080	NUT FLANGE 6MM	NUT FLANGE 6MM	2	
	94301-10160	94301-10160	DOWEL PIN 10*16	DOWEL PIN 10*16	4	
	94301-12200	94301-12200	DOWEL PIN 12*20	DOWEL PIN 12*20	2	
	94510	94510-20000	CIR CLIP EX 20	CIR CLIP EX 20	1	
#	95701-06010	95701-06010-06	BOLT FLANGE 6*10	BOLT FLANGE 6*10	1	
#	95701-06022	95701-06022-06	BOLT FLANGE 6*22	BOLT FLANGE 6*22	1	
#	95701-06025	95701-06025-06	BOLT FLANGE 6*25	BOLT FLANGE 6*25	1	
#	95701-06040	95701-06040-06	BOLT FLANGE 6*40	BOLT FLANGE 6*40	1	
	95801	95801-KED9-900	BOLT UBS 8*71	BOLT UBS 8*71	1	
#	96001-06014	96001-06014-06	BOLT FLANGE SH 6*14 (G)	BOLT FLANGE SH 6*14 (G)	1	
#	96001-06018	96001-06018-06	BOLT FLANGE SH 6*18	BOLT FLANGE SH 6*18	1	
	98059	98059-57916-00	SPARK PLUG CR7E	SPARK PLUG CR7E	1	

E03

# Cylinder Piston Crankshaft

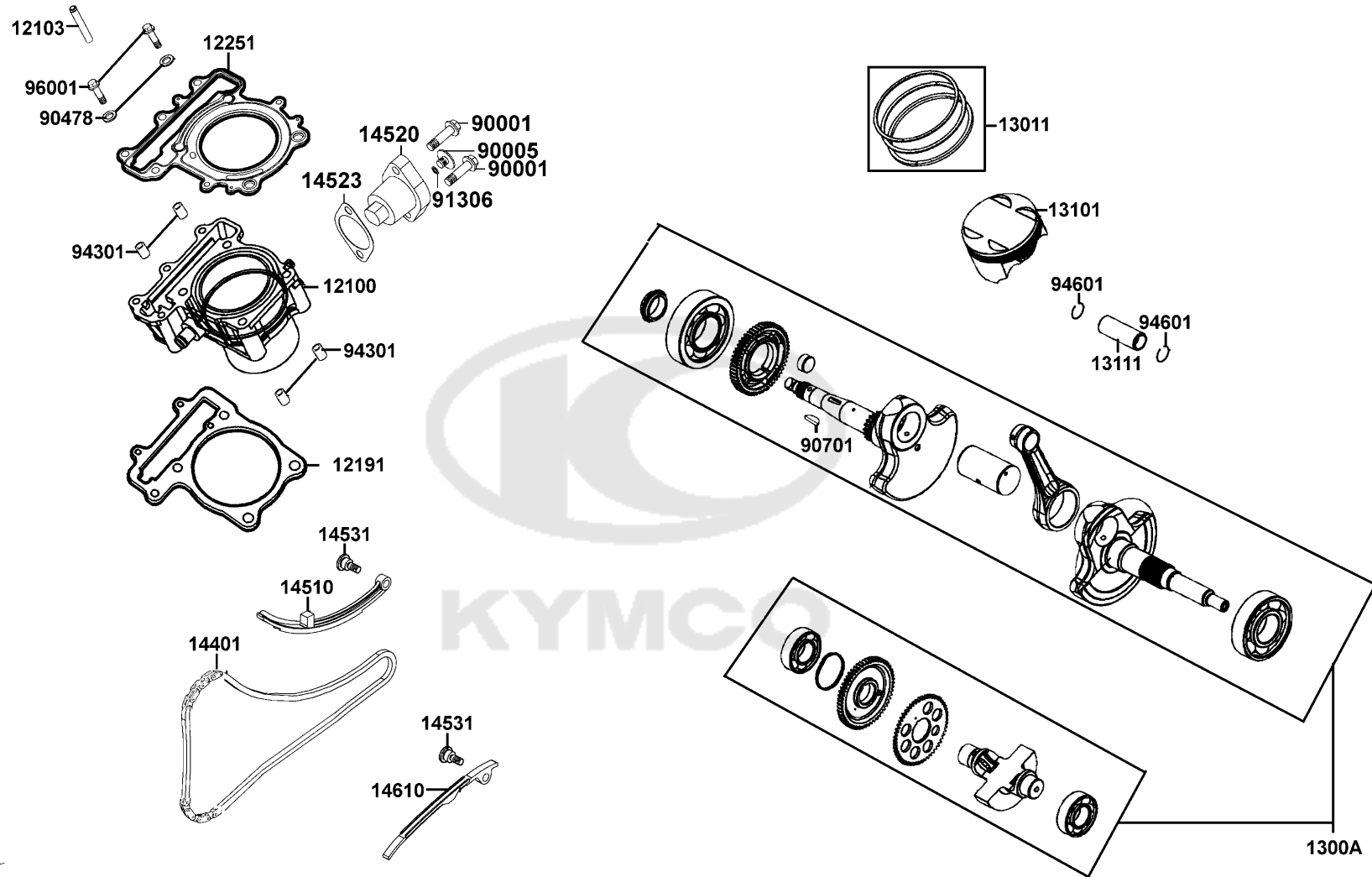


Sales mark	Ref no	Part no	Description	Reg description	Regd no	E03
	12100	12100-LDB5-E00	CYLINDER COMP	CYLINDER COMP	1	
	12103	12103-LBA2-E00	STOPPER CYLN WATER	STOPPER CYLN WATER	1	
	12191	12191-LDB5-E00	GASKET CYLINDER	GASKET CYLINDER	1	
	12251	12251-LBA2-E00	GASKET CYLINDER HEAD	GASKET CYLINDER HEAD	1	
	1300A	1300A-LDB5-309	CRANK BLANCER COMP(S)	CRANK BLANCER COMP(S)	1	
#	13011	13011-LBA2-E0A	RING SET PISTON	RING SET PISTON	1	
#	13011	13011-LBA2-E0B	RING SET PISTON/E901	RING SET PISTON/E901	1	
	13101	13101-LDG7-E00	PISTON	PISTON	1	
	13111	13111-LBA2-E00	PIN PISTON	PIN PISTON	1	
	14401	14401-LBA2-E00	CHAIN CAM	CHAIN CAM	1	
	14510	14510-LDB5-E00	TENSIONER CAM CHAIN	TENSIONER CAM CHAIN	1	
	14520	14520-LDB5-E00	LIFTER ASSY TENSIONER	LIFTER ASSY TENSIONER	1	
	14523	14523-KED9-900	GASKET TENSIONER LIFTER @A	GASKET TENSIONER LIFTER @A	1	
	14531	14531-KED9-900	PIVOT TENSION GUIDE	PIVOT TENSION GUIDE	2	
	14610	14610-LBA2-E00	GUIDE COMP CAM CHAIN	GUIDE COMP CAM CHAIN	1	
#	90001	90001-GBHB-661	BOLT FLANGE SH 6*22	BOLT FLANGE SH 6*22	2	
#	90005	90005-KED9-900	BOLT SPECIAL 6*6	BOLT SPECIAL 6*6	1	
	90478	90478-7L00-001	WASHER A 6MM	WASHER A 6MM	2	
	90701	90701-LDB5-E00	KEY WAY ACG	KEY WAY ACG	1	
	91306	91306-1E05-691	O-RING 1.5*9.5	O-RING 1.5*9.5	1	



E03

# Cylinder Piston Crankshaft



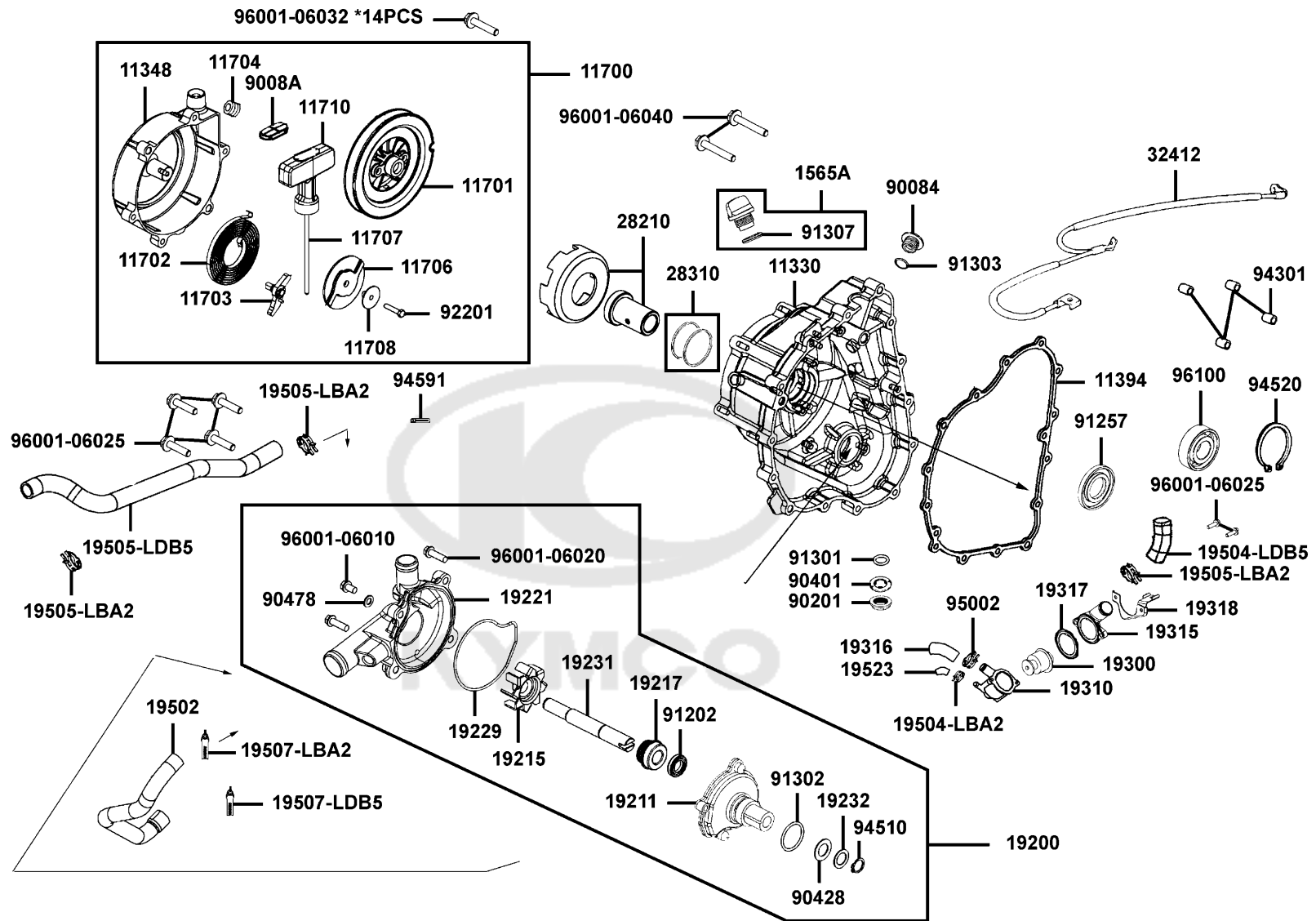
Sales mark	Ref no	Part no	Description	Reg description	Regd no	<b>E03</b>
------------	--------	---------	-------------	-----------------	---------	------------

	94301	94301-12200	DOWEL PIN 12*20	DOWEL PIN 12*20	4	
	94601	94601-22000	CLIP PISTON PIN 22MM	CLIP PISTON PIN 22MM	2	
#	96001	96001-06040-06	BOLT FLANGE SH 6*40	BOLT FLANGE SH 6*40	1	



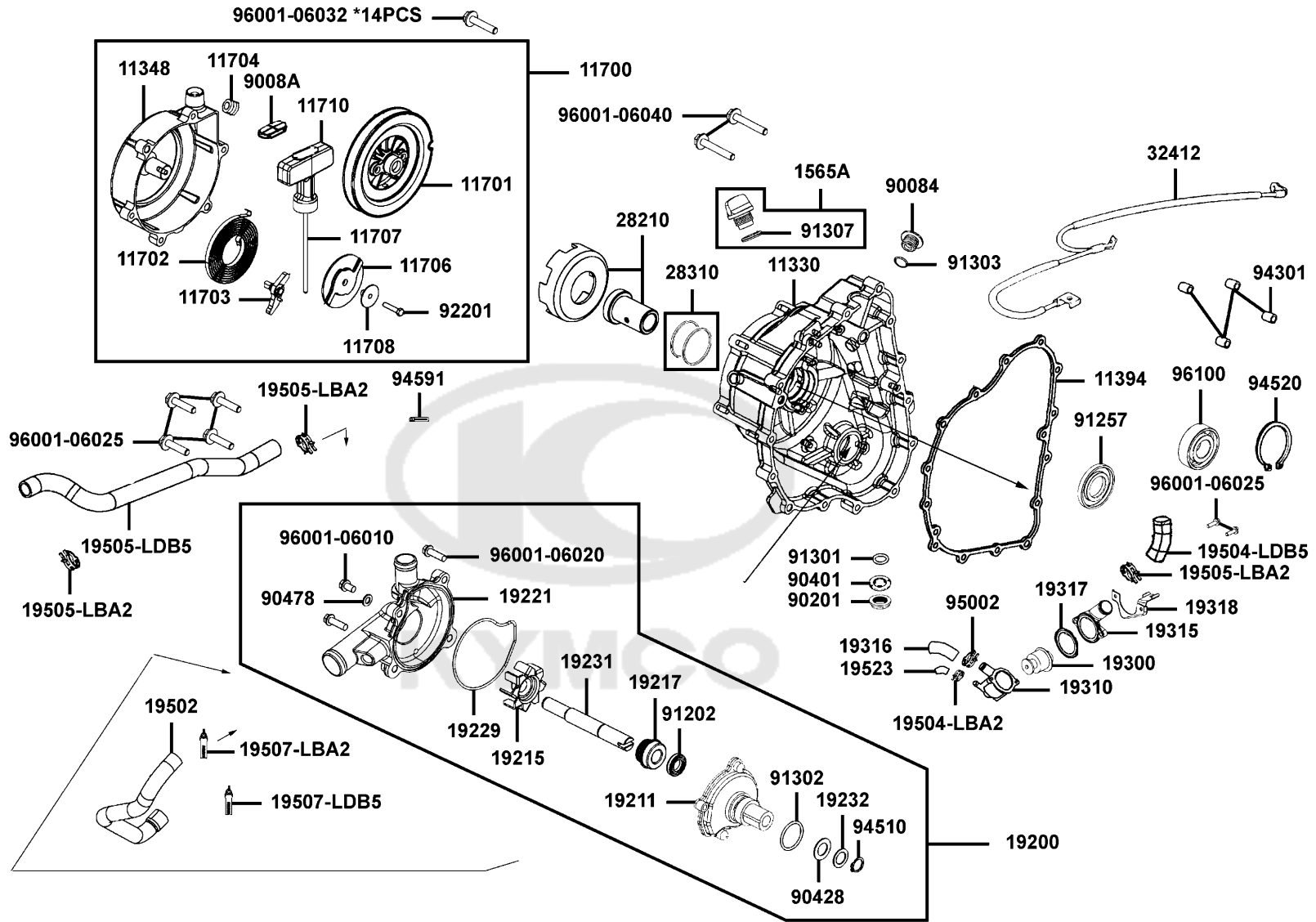
E04

# Right Crankcase Cover Water Pump



Sales mark	Ref no	Part no	Description	Reg description	Regd no	<b>E04</b>
	11330	11330-LEE8-E00	COVER ASSY R CRANK CASE	COVER ASSY R CRANK CASE	1	
**	11348	11348-LDB5-E00	COVER STARTING	COVER STARTING	1	
	11394	11394-LDB5-E00	GASKET COVER	GASKET COVER	1	
	11700	11700-LDB5-E00	RECOIL STARTING	RECOIL STARTING	1	
	11701	11701-LDB5-E00	REEL STARTING	REEL STARTING	1	
	11702	11702-LDB5-E00	SPIRAL SPG STARTING	SPIRAL SPG STARTING	1	
	11703	11703-LDB5-E00	RACHET STARTING	RACHET STARTING	1	
	11704	11704-LCA5-E00	SPRING RACHET GUIDE	SPRING RACHET GUIDE	1	
	11706	11706-LDB5-E00	RACHET GUIDE STARTING	RACHET GUIDE STARTING	1	
	11707	11707-LDB5-E00	ROPE STARTING	ROPE STARTING	1	
	11708	11708-LCA5-E00	COLLAR	COLLAR	1	
	11710	11710-LDB5-E00	HOLDER ASSY	HOLDER ASSY	1	
	1565A	1565A-PWA1-900	GAUGE OIL LEVEL ASSY	GAUGE OIL LEVEL ASSY	1	
	19200	19200-LEE8-E00	WATER PUMP ASSY	WATER PUMP ASSY	1	
	19211	19211-LEE8-E00	BODY WATER PUMP	BODY WATER PUMP	1	
	19215	19215-LBA2-E00	IMPELLER WATER PUMP	IMPELLER WATER PUMP	1	
	19217	19217-6G57-024	SEAL MECHANICAL	SEAL MECHANICAL	1	
	19221	19221-LEE8-E00	COVER WATER PUMP	COVER WATER PUMP	1	
	19229	19229-LDB5-E00	RING WATER PUMP	RING WATER PUMP	1	
	19231	19231-LBA2-E00	SHAFT WATER PUMP	SHAFT WATER PUMP	1	

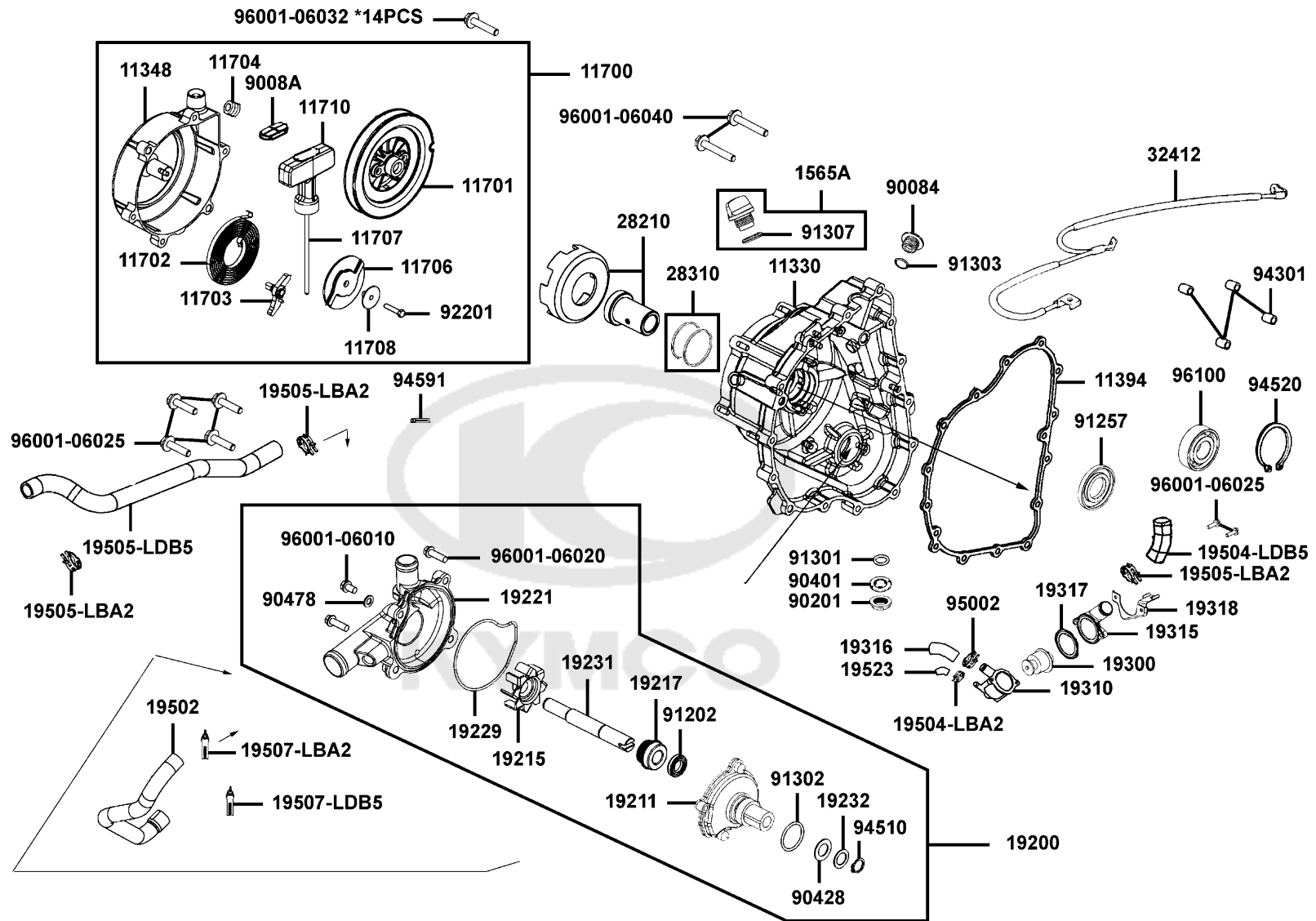
Right Crankcase Cover Water Pump



Sales mark	Ref no	Part no	Description	Reg description	Regd no	E04
	19232	19232-LBA2-E00	WASHER 21*13.8*1.5	WASHER 21*13.8*1.5	1	
	19300	19300-LBA2-E00	THERMOSTAT ASSY	THERMOSTAT ASSY	1	
	19310	19310-LDB5-E00	CASE COMP THERMOSTAT	CASE COMP THERMOSTAT	1	
	19315	19315-LBA2-E00	COVER THERMOSTAT	COVER THERMOSTAT	1	
	19316	19316-LFE9-E00	HOSE THERMOSTAT	HOSE THERMOSTAT	1	
	19317	19317-LBA2-E00	RING 48.3*2	RING 48.3*2	1	
	19318	19318-LDB5-E00	BRKT THERMOSTAT	BRKT THERMOSTAT	1	
	19502	19502-LEE8-E00	HOSE B WATER	HOSE B WATER	1	
	19504-LBA2	19504-LBA2-E00	CLAMP D16.8	CLAMP D16.8	1	
	19504-LDB5	19504-LDB5-E00	HOSE WATER D RADIATOR-ENG	HOSE WATER D RADIATOR-ENG	1	
	19505-LBA2	19505-LBA2-E00	CLAMP WATER HOSE	CLAMP WATER HOSE	2	
	19505-LDB5	19505-LDB5-E00	HOSE WATER F ENG-RADIATOR	HOSE WATER F ENG-RADIATOR	1	
	19507-LBA2	19507-LBA2-E00	CLAMP D 27.5	CLAMP D 27.5	1	
	19507-LDB5	19507-LDB5-E00	CLAMP D 28	CLAMP D 28	1	
	19523	19523-LDB5-E00	WATER HOSE A	WATER HOSE A	1	
	28210	28210-LDB5-E00	PLATE RACHET	PLATE RACHET	1	
	28310	28310-LDB5-E00	RING OIL PATH	RING OIL PATH	2	
	32412	32412-LDB5-E00	CABLE EARTH	CABLE EARTH	1	
	90084	90084-4H28-001	CAP ACG	CAP ACG	1	
	9008A	9008A-LDB5-E00	COVER HOLDER	COVER HOLDER	1	

E04

# Right Crankcase Cover Water Pump

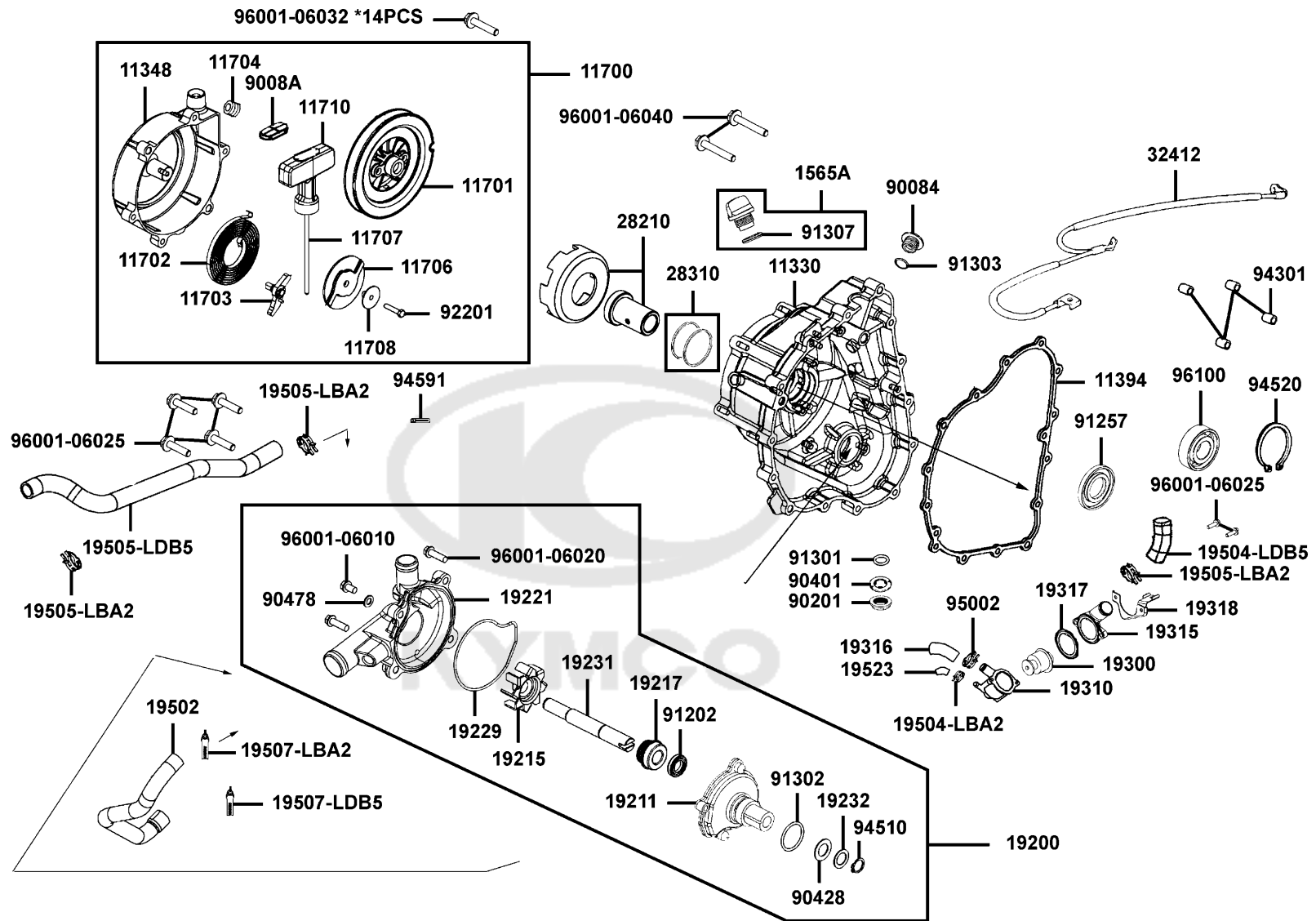


Sales mark	Ref no	Part no	Description	Reg description	Regd no	E04
	90201	90201-KHR8-75A	NUT FLANGE 14MM	NUT FLANGE 14MM	1	
	90401	90401-KKJ9-001	WASHER THRUST 14*28*2	WASHER THRUST 14*28*2	1	
	90428	90428-9H58-001	WASHER THRUST 14MM B	WASHER THRUST 14MM B	1	
	90478	90478-7L00-001	WASHER A 6MM	WASHER A 6MM	1	
	91202	91202-KGB4-C00	OIL SEAL 13.7*24*5	OIL SEAL 13.7*24*5	1	
	91257	91257-LDB5-E00	OIL SEAL 30*60*7	OIL SEAL 30*60*7	1	
	91301	91301-LDB5-E00	O-RING 16MM	O-RING 16MM	1	
	91302	91302-LBA2-E00	O-RING 30.8M/M	O-RING 30.8M/M	1	
	91303	91303-3G77-001	O-RING 13.8*2.5	O-RING 13.8*2.5	1	
	91307	91307-0E35-001	O RING 18*3	O RING 18*3	1	
#	92201	92201-05025-0G	BOLT HEX 5*25	BOLT HEX 5*25	1	
	94301	94301-08140	DOWEL PIN 8*14	DOWEL PIN 8*14	4	
	94510	94510-14000	CIR CLIP EXTERNAL 14	CIR CLIP EXTERNAL 14	1	
	94520	94520-47000	CIR CLIP IN 47	CIR CLIP IN 47	1	
	94591	94591-KFBF-900	CLIP 2*70	CLIP 2*70	1	
	95002	95002-KHE7-900	CLIP WATER HOSE	CLIP WATER HOSE	1	
	96001-06010	96001-06010-02	BOLT FLANGE SH 6*10	BOLT FLANGE SH 6*10	1	
#	96001-06020	96001-06020-06	BOLT FLANGE SH 6*20	BOLT FLANGE SH 6*20	1	
#	96001-06025	96001-06025-06	BOLT FLANGE SH 6*25	BOLT FLANGE SH 6*25	1	
#	96001-06032	96001-06032-06	BOLT FLANGE 6*32	BOLT FLANGE 6*32	1	



E04

# Right Crankcase Cover Water Pump



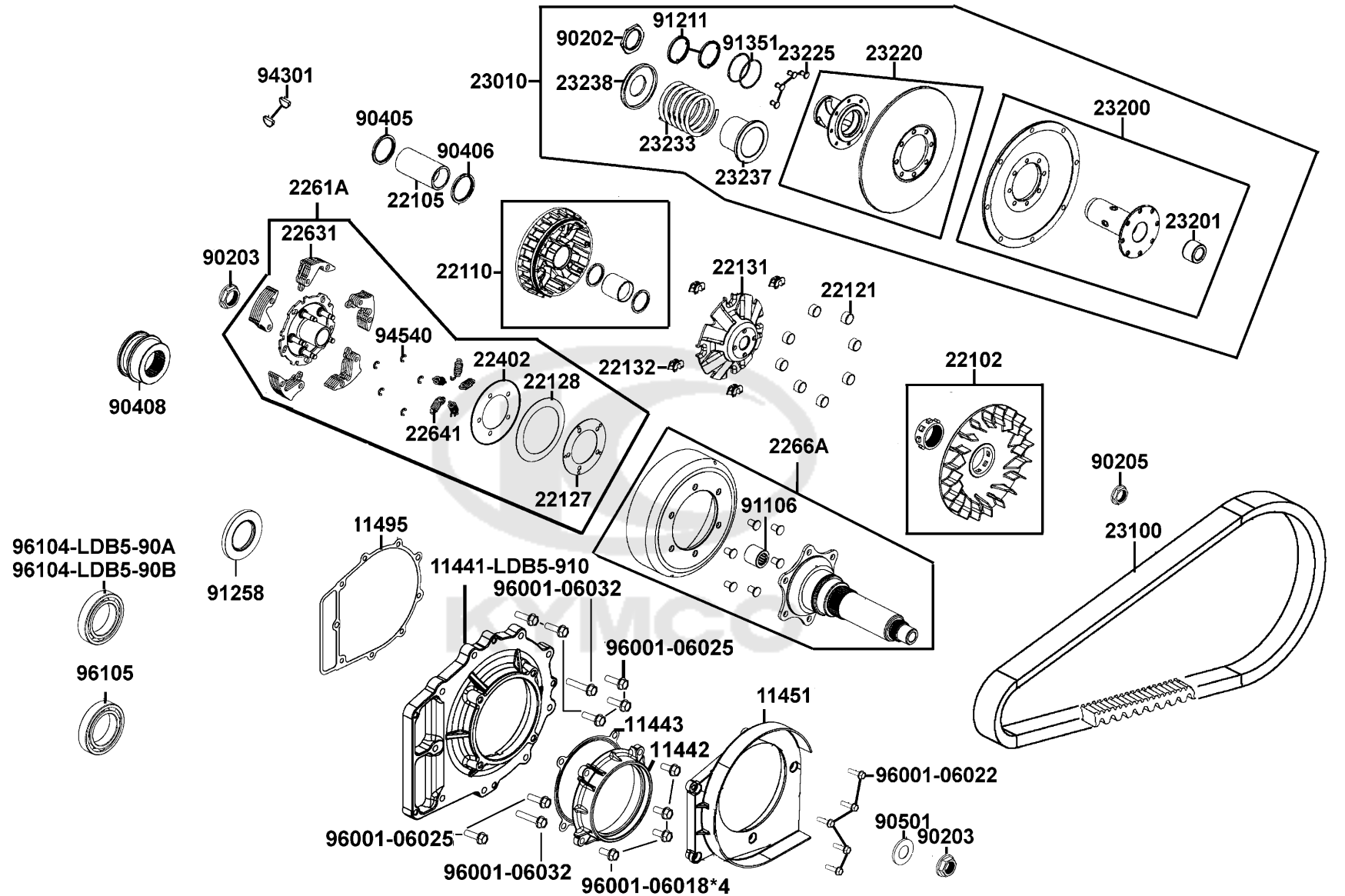
Sales mark	Ref no	Part no	Description	Reg description	Regd no	<b>E04</b>
------------	--------	---------	-------------	-----------------	---------	------------

#	96001-06040	96001-06040-06	BOLT FLANGE SH 6*40	BOLT FLANGE SH 6*40	1	
	96100	96100-69060-00	BEARING BALL RADIAL 6906	BEARING BALL RADIAL 6906	1	



E05

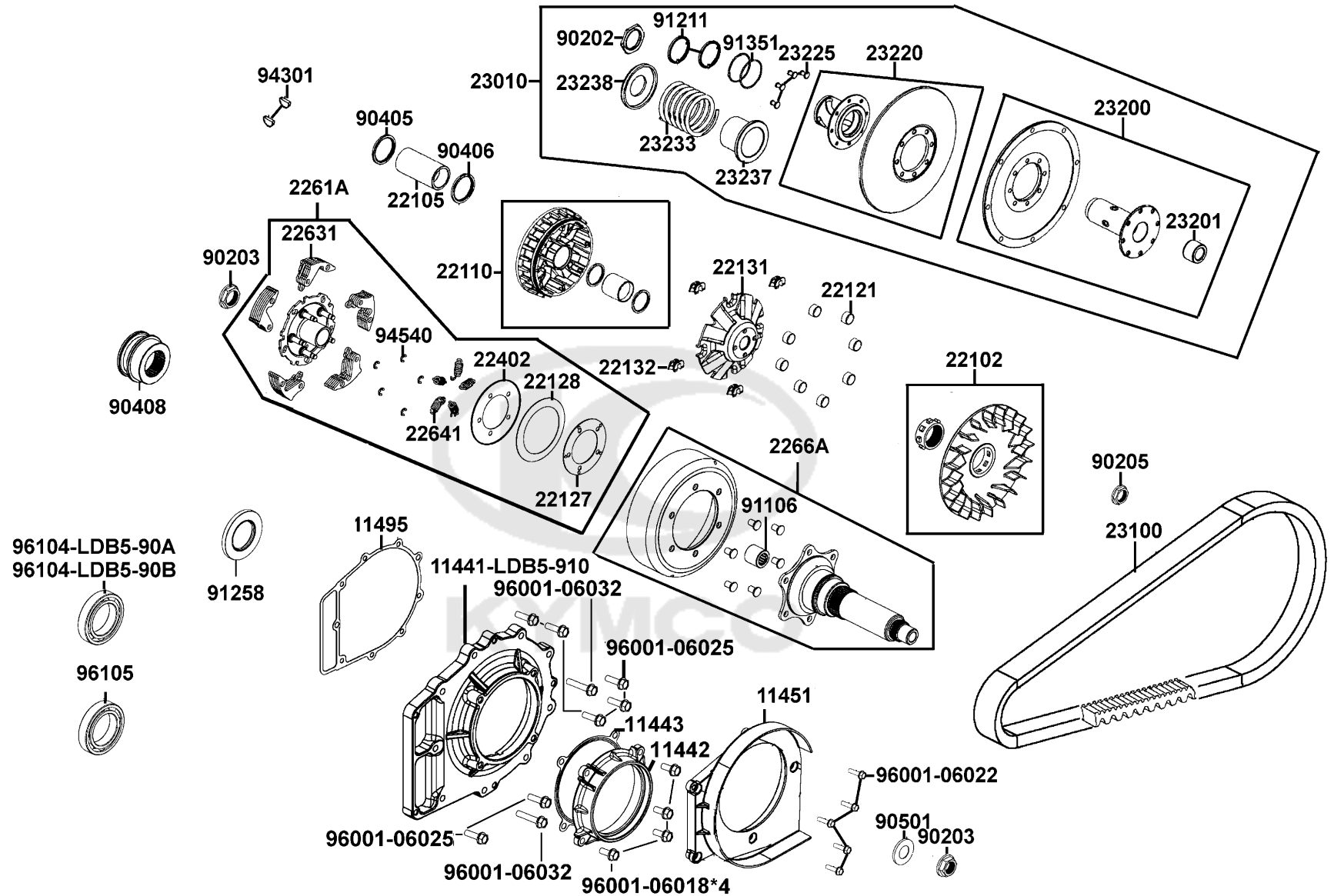
# Drive Pulley



Sales mark	Ref no	Part no	Description	Reg description	Regd no	<b>E05</b>
	11441-LDB5-910	11441-LDB5-910	COVER CLUTCH	COVER CLUTCH	1	
	11442	11442-LDB5-900	COVER PRIMARY SHAFT	COVER PRIMARY SHAFT	1	
	11443	11443-LDB5-900	GASKET PRIMARY SHAFT COVER	GASKET PRIMARY SHAFT COVER	1	
	11451	11451-LDB5-E00	COVER CVT FAN	COVER CVT FAN	1	
	11495	11495-LDB5-E00	GASKET CLUTCH COVER	GASKET CLUTCH COVER	1	
	22102	22102-LDB5-E00	FACE DRIVE	FACE DRIVE	1	
	22105	22105-LDB5-E00	BOSS DRIVE FACE	BOSS DRIVE FACE	1	
	22110	22110-LDB5-E00	FACE COMP MOVABLE DRIVE	FACE COMP MOVABLE DRIVE	1	
	22121	22121-LFE9-E00	ROLLER COMP WEIGHT 15gr	ROLLER COMP WEIGHT 15gr	8	
	22127	22127-LDB5-E00	SEAT ADJUSTER SPG	SEAT ADJUSTER SPG	1	
	22128	22128-LDB5-E00	PLATE ADJUSTER SPG	PLATE ADJUSTER SPG	1	
	22131	22131-LDB5-E00	PLATE RAMP	PLATE RAMP	1	
	22132	22132-LDB5-E00	PLATE SLIDE	PLATE SLIDE	4	
	22402	22402-LDB5-E00	SPR ADJUSTER	SPR ADJUSTER	1	
	2261A	2261A-LDB5-900	PLATE ASSY PRIMARY DRIVE	PLATE ASSY PRIMARY DRIVE	1	
	22631	22631-LDB5-E00	PRIMARY CLUTCH WEIGHT	PRIMARY CLUTCH WEIGHT	5	
	22641	22641-LDB5-E00	PRIMARY CLUTH SPG	PRIMARY CLUTH SPG	5	
	2266A	2266A-LDB5-910	PRIMARY DRIVE GEAR COMP	PRIMARY DRIVE GEAR COMP	1	
	23010	23010-LFE9-E00	PULLEY ASSY DRIVEN	PULLEY ASSY DRIVEN	1	
	23100	23100-LDB5-E00	BELT DRIVE	BELT DRIVE	1	

E05

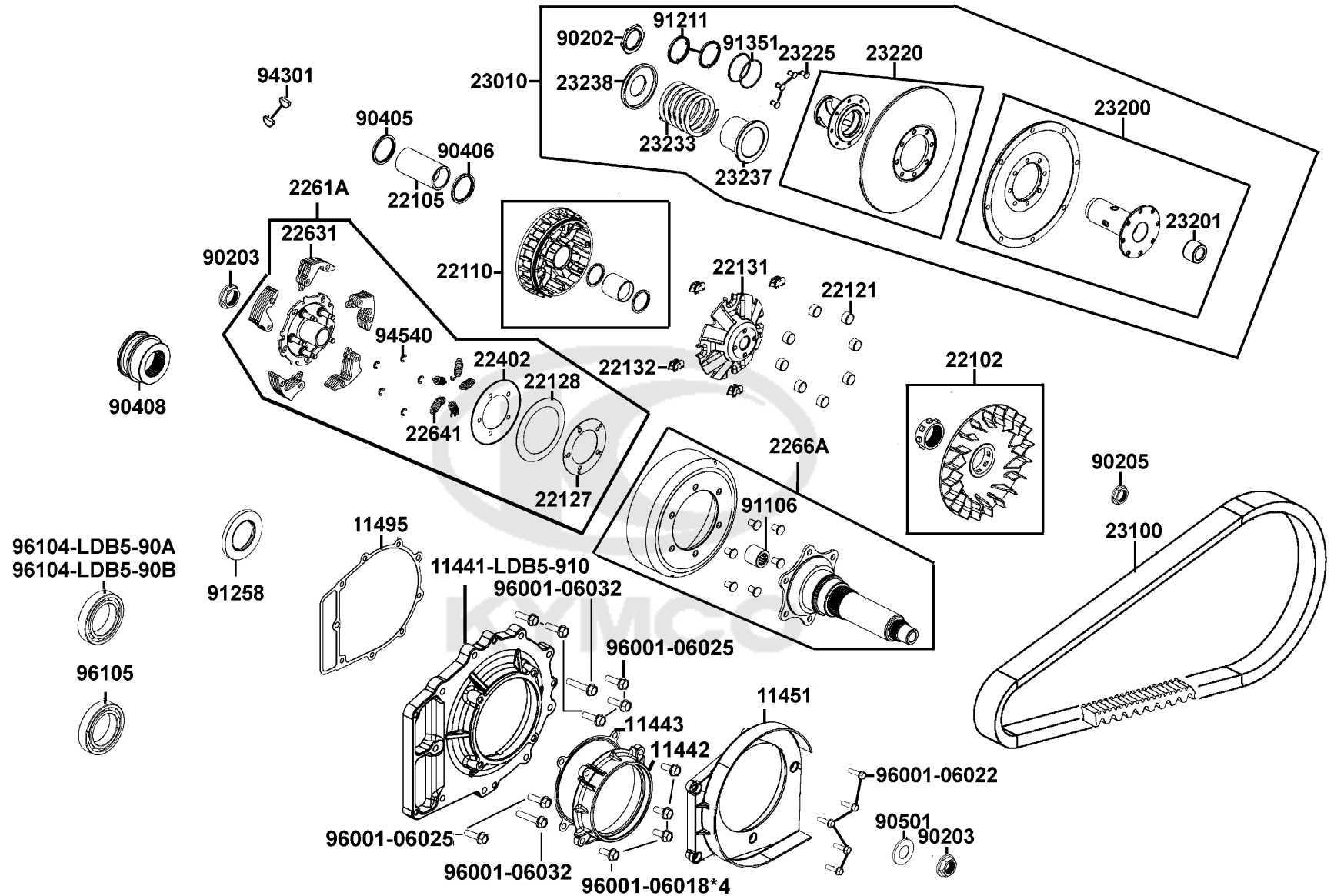
# Drive Pulley



Sales mark	Ref no	Part no	Description	Reg description	Regd no	<b>E05</b>
23200		23200-LDB5-E00	FACE ASSY DRIVEN	FACE ASSY DRIVEN	1	
23201		23201-LDB5-E00	BUSH MOVABLE FACE	BUSH MOVABLE FACE	1	
23220		23220-LDB5-E00	FACE COMP MOVABLE DRIVE	FACE COMP MOVABLE DRIVE	1	
23225		23225-LDB5-E00	PIN ROLLER GUIDE	PIN ROLLER GUIDE	4	
23233		23233-LFE9-E00	SPG DRIVEN FACE	SPG DRIVEN FACE	1	
23237		23237-LDB5-E00	COLLAR SEAL	COLLAR SEAL	1	
23238		23238-LDB5-E00	COLLAR SPG	COLLAR SPG	1	
90202		90202-LDB5-E00	NUT SPECIAL 36MM	NUT SPECIAL 36MM	1	
90203		90203-LDB5-E00	NUT FLANGE 20MM	NUT FLANGE 20MM	2	
90205		90205-LDB5-E00	NUT FLANGE 16 MM	NUT FLANGE 16 MM	1	
90405		90405-LDB5-E00	WASHER 30.2*45*5	WASHER 30.2*45*5	1	
90406		90406-LDB5-E00	WASHER 25*33*4	WASHER 25*33*4	1	
90408		90408-LDB5-900	COLLAR PRIMARY DRIVE SHAFT	COLLAR PRIMARY DRIVE SHAFT	1	
90501		90501-LDB5-E00	WASHER THRUST 20MM	WASHER THRUST 20MM	1	
91106		91106-LDB5-E00	BRG NEEDLE 14*22*20	BRG NEEDLE 14*22*20	1	
91211		91211-LDB5-E00	SEAL DRIVEN FACE 40.2*47*4	SEAL DRIVEN FACE 40.2*47*4	1	
91258		91258-LDB5-900	OIL SEAL 56.5*80*7	OIL SEAL 56.5*80*7	1	
91351		91351-LDB5-E00	O-RING PINION CAP	O-RING PINION CAP	2	
94301		94301-08140	DOWEL PIN 8*14	DOWEL PIN 8*14	2	
94540		94540-07017	E RING 7MM	E RING 7MM	5	

E05

# Drive Pulley



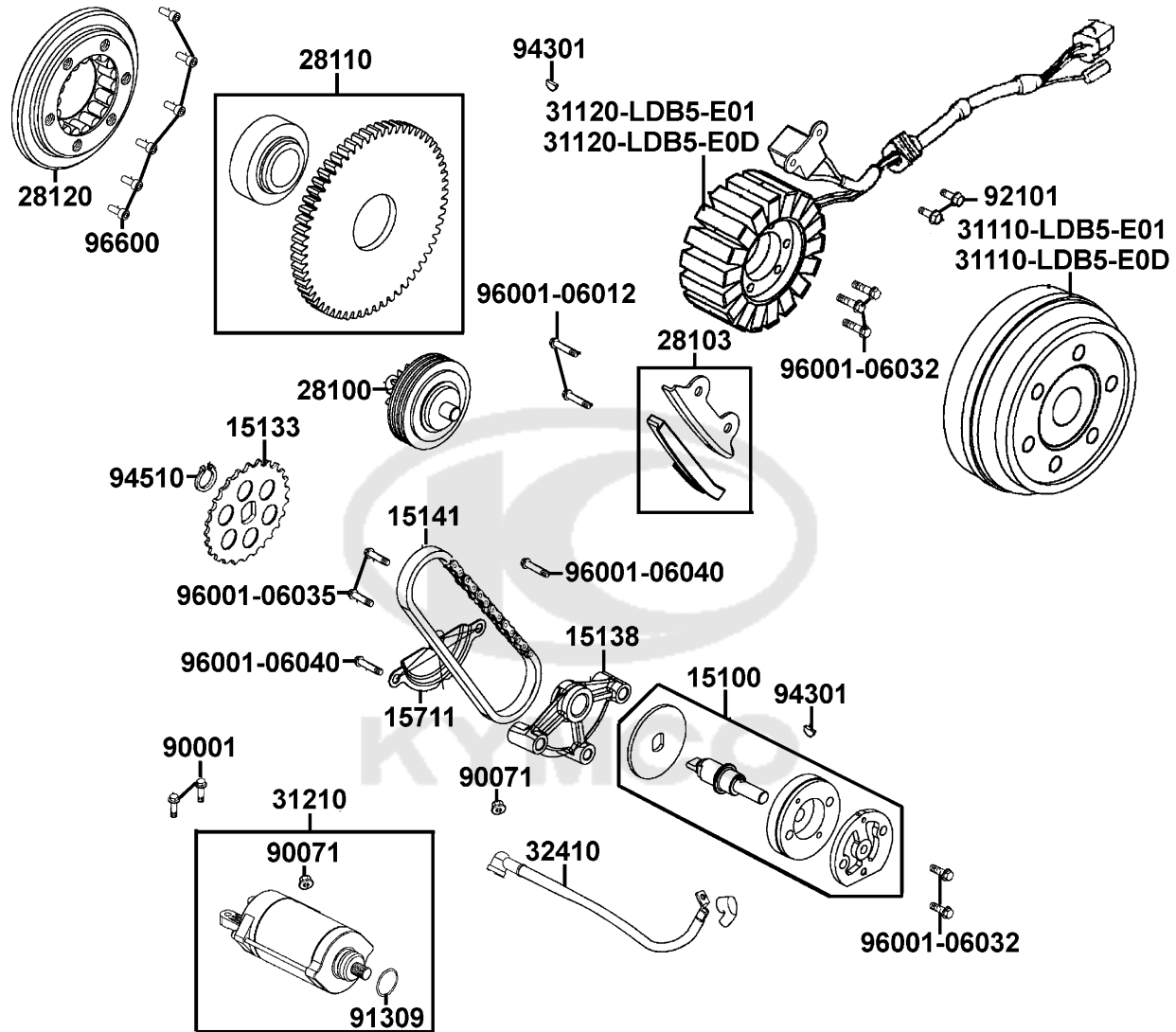
Sales mark	Ref no	Part no	Description	Reg description	Regd no	<b>E05</b>
#	96001-06018	96001-06018-06	BOLT FLANGE SH 6*18	BOLT FLANGE SH 6*18	1	
#	96001-06022	96001-06022-06	BOLT FLANGE SH 6*22 (G)	BOLT FLANGE SH 6*22 (G)	1	
#	96001-06025	96001-06025-06	BOLT FLANGE SH 6*25	BOLT FLANGE SH 6*25	1	
#	96001-06032	96001-06032-06	BOLT FLANGE 6*32	BOLT FLANGE 6*32	1	
	96104-LDB5-90A	96104-LDB5-90A	BEARING BALL RADIAL 16008	BEARING BALL RADIAL 16008	1	
	96104-LDB5-90B	96104-LDB5-90B	BEARING BALL RADIAL 16008	BEARING BALL RADIAL 16008	1	
	96105	96105-LDB5-90C	BRG BALL RADIAL 68150	BRG BALL RADIAL 68150	1	





E06

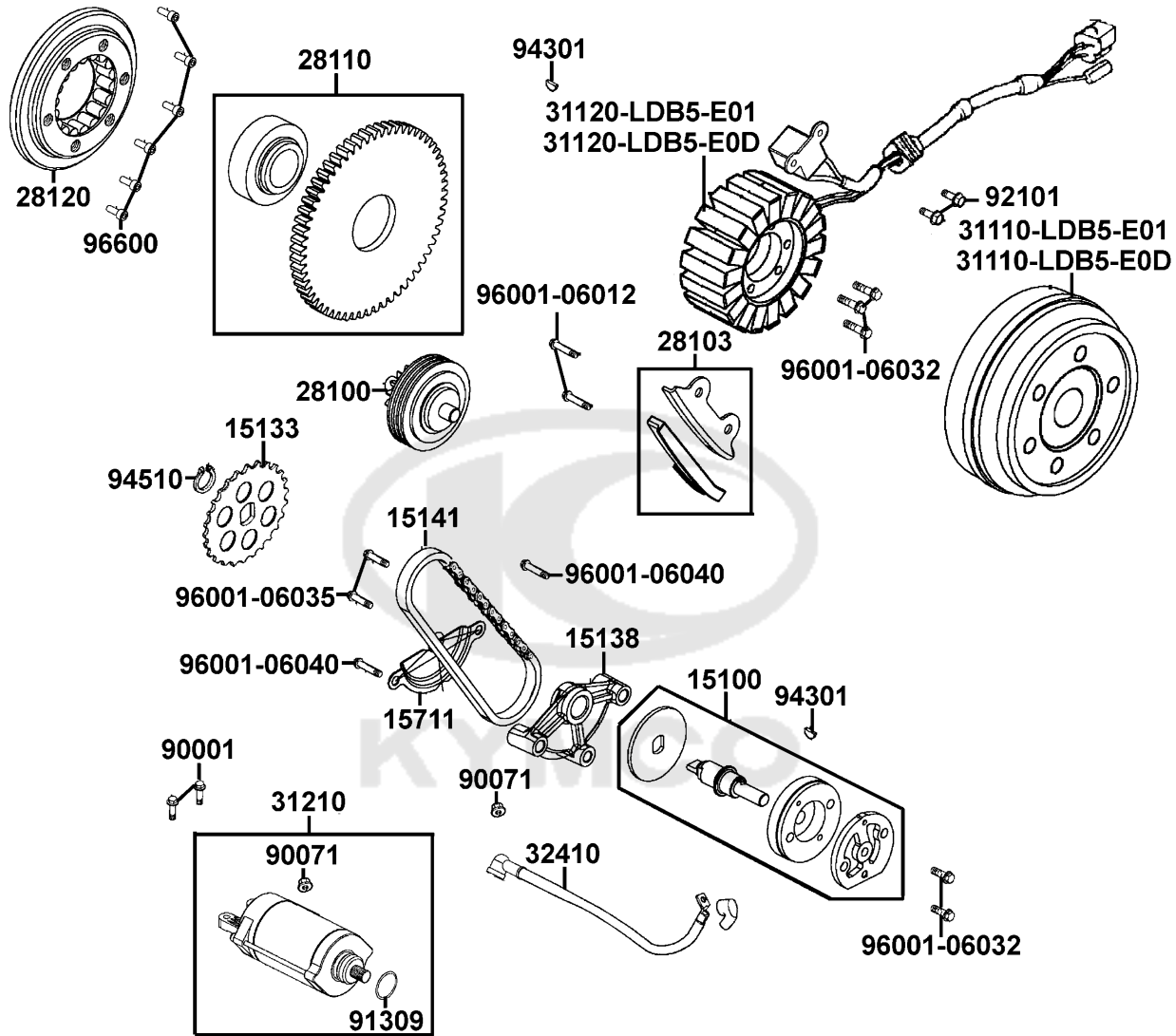
# Starting Motor Generator



Sales mark	Ref no	Part no	Description	Reg description	Regd no	E06
	15100	15100-LDB5-E00	PUMP ASSY OIL	PUMP ASSY OIL	1	
	15133	15133-LBA2-E00	SPROCKET OIL PUMP DRIVE	SPROCKET OIL PUMP DRIVE	1	
	15138	15138-LDB5-E00	HOLDER OIL PUMP SHAFT	HOLDER OIL PUMP SHAFT	1	
	15141	15141-LDB5-E00	CHAIN OIL PUMP	CHAIN OIL PUMP	1	
	15711	15711-LDB5-E00	SEPARATER OIL	SEPARATER OIL	1	
#	28100	28100-LDB5-E00	SHAFT COMP REDUCTION	SHAFT COMP REDUCTION	1	
#	28100	28100-LKA8-E00	SHAFT COMP REDUCTION	SHAFT COMP REDUCTION	1	
	28103	28103-LDB5-E00	GUIDE OIL PUMP CHAIN	GUIDE OIL PUMP CHAIN	1	
#	28110	28110-LDB5-E00	GEAR COMP STARTING CLUTCH	GEAR COMP STARTING CLUTCH	1	
#	28110	28110-LKA8-E00	GEAR COMP.STARTING CLUTCH	GEAR COMP.STARTING CLUTCH	1	
	28120	28120-KKE5-E00	ONE WAY CLUTCH	ONE WAY CLUTCH	1	
	31110-LDB5-E01	31110-LDB5-E01	FLYWHEEL COMP /D402	FLYWHEEL COMP /D402	1	
	31110-LDB5-E0D	31110-LDB5-E0D	FLYWHEEL COMP /D406	FLYWHEEL COMP /D406	1	
	31120-LDB5-E01	31120-LDB5-E01	STASOR COMP /D402	STASOR COMP /D402	1	
	31120-LDB5-E0D	31120-LDB5-E0D	STASOR COMP /D406	STASOR COMP /D406	1	
	31210	31210-LBA2-E00	MOTOR UNIT STARTER	MOTOR UNIT STARTER	1	
	32410	32410-LDB5-E00	CABLE STARTER MOTOR	CABLE STARTER MOTOR	1	
#	90001	90001-GBHB-661	BOLT FLANGE SH 6*22	BOLT FLANGE SH 6*22	2	
	90071	90071-MLB0-001	NUT WASH 6MM	NUT WASH 6MM	2	
	91309	91309-4E25-004	O-RING 24.4*3.1	O-RING 24.4*3.1	1	

E06

# Starting Motor Generator

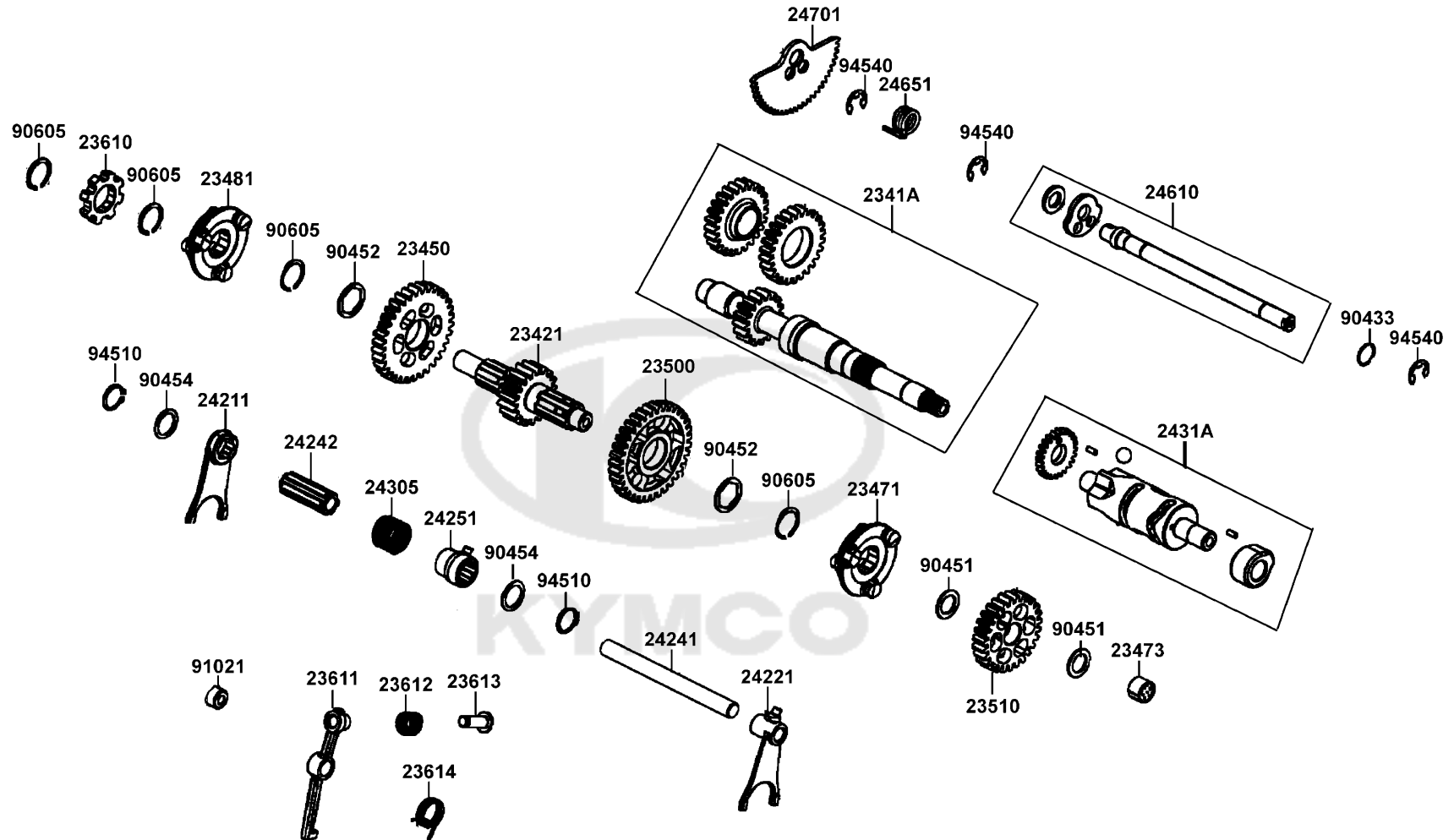


Sales mark	Ref no	Part no	Description	Reg description	Regd no	<b>E06</b>
#	92101	92101-05012-0G	BOLT HEX 5*12 (G)	BOLT HEX 5*12 (G)	1	
	94301	94301-08140	DOWEL PIN 8*14	DOWEL PIN 8*14	2	
	94510	94510-10000	CIR CLIP EX 10MM	CIR CLIP EX 10MM	1	
#	96001-06012	96001-06012-06	BOLT FLANGE SH 6*12	BOLT FLANGE SH 6*12	1	
#	96001-06032	96001-06032-06	BOLT FLANGE 6*32	BOLT FLANGE 6*32	1	
#	96001-06035	96001-06035-06	BOLT FLANGE SH 6*35	BOLT FLANGE SH 6*35	1	
#	96001-06040	96001-06040-06	BOLT FLANGE SH 6*40	BOLT FLANGE SH 6*40	1	
#	96600	96600-08015-16	SOCKET BOLT 8*15	SOCKET BOLT 8*15	1	



E07

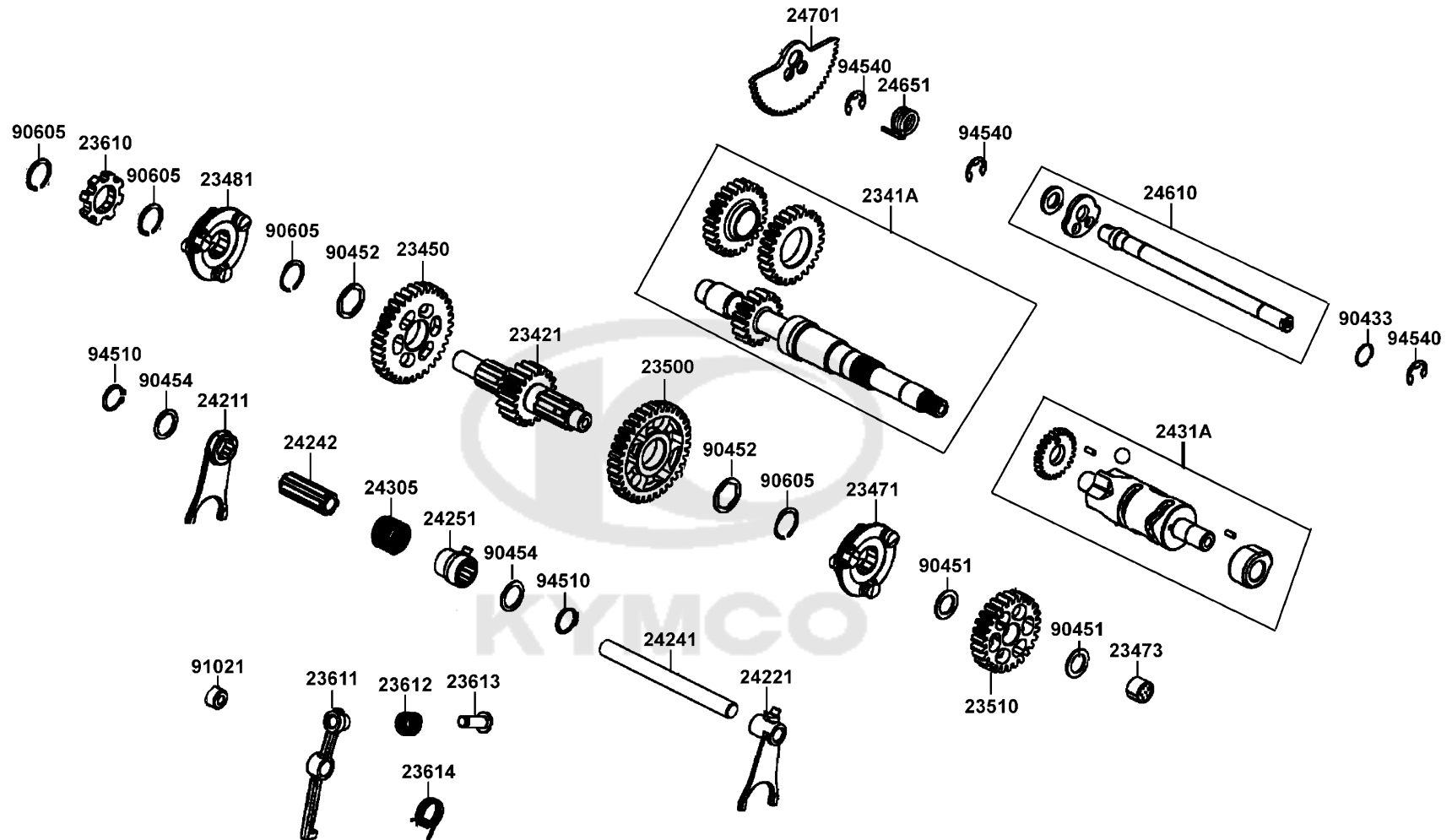
# Clutch Assy Primary



Sales mark	Ref no	Part no	Description	Reg description	Regd no	<b>E07</b>
2341A		2341A-LDB5-900	SHAFT ASSY DRIVE	SHAFT ASSY DRIVE	1	
23421		23421-LDB5-E00	SHAFT COUNTER 19T	SHAFT COUNTER 19T	1	
23450		23450-LDB5-E00	GEAR COMP BACKWARD 2ST DRIVEN	GEAR COMP BACKWARD 2ST DRIVEN	1	
23471		23471-LDB5-E00	SHIFT FORWARD & LOWER	SHIFT FORWARD & LOWER	1	
23473		23473-LDB5-E00	COLLAR 20*17*14	COLLAR 20*17*14	1	
23481		23481-LDB5-E00	SHIFT BACKWARD	SHIFT BACKWARD	1	
23500		23500-LDB5-E00	GEAR COMP LOWER DRIVE	GEAR COMP LOWER DRIVE	1	
23510		23510-LDB5-900	GEAR FORWARD DRIVEN	GEAR FORWARD DRIVEN	1	
23610		23610-LDB5-E00	STOPPER PARK	STOPPER PARK	1	
23611		23611-LDB5-E00	ARM PARK	ARM PARK	1	
23612		23612-LDB5-E00	SPRING A PARK	SPRING A PARK	1	
23613		23613-LDB5-E00	GUIDE PARK	GUIDE PARK	1	
23614		23614-LDB5-E00	SPRING B PARK	SPRING B PARK	1	
24211		24211-LDB5-E00	FORK RIGHT GEAR SHIFT	FORK RIGHT GEAR SHIFT	1	
24221		24221-LDB5-E00	FORK LEFT GEAR SHIFT	FORK LEFT GEAR SHIFT	1	
24241		24241-LDB5-E00	SHAFT GEAR SHIFT FORK	SHAFT GEAR SHIFT FORK	1	
24242		24242-LDB5-E00	COLLAR RIGHT FORK	COLLAR RIGHT FORK	1	
24251		24251-LDB5-E00	GUIDE RIGHT FORK	GUIDE RIGHT FORK	1	
24305		24305-LDB5-E00	SPRING RIGHT FORK	SPRING RIGHT FORK	1	
2431A		2431A-LDB5-E00	DRUM ASSY GEAR SHIFT	DRUM ASSY GEAR SHIFT	1	

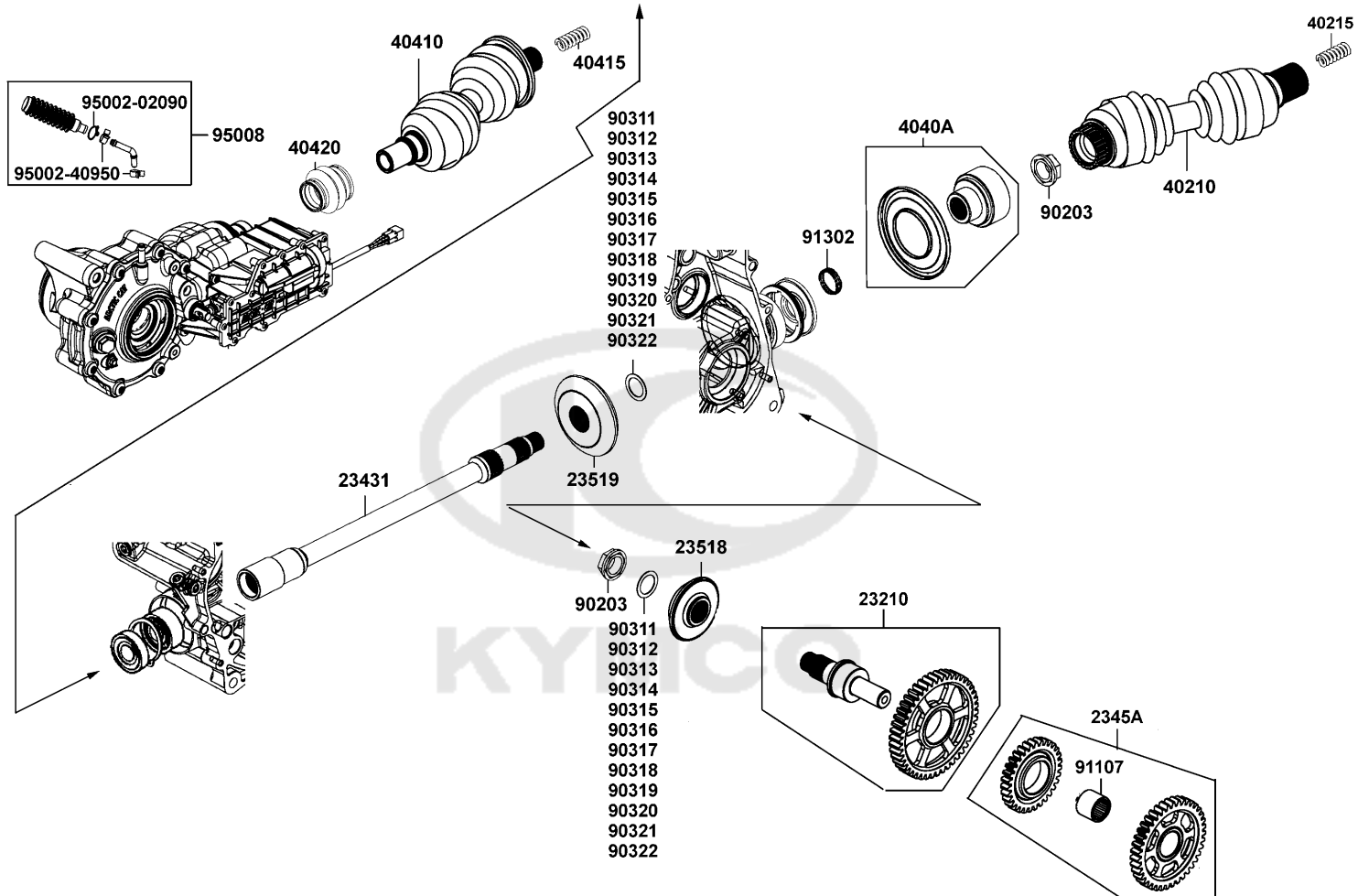
E07

# Clutch Assy Primary



Sales mark	Ref no	Part no	Description	Reg description	Regd no	<b>E07</b>
24610		24610-LDB5-E00	SPINDLE COMP DRUM SHIFT	SPINDLE COMP DRUM SHIFT	1	
24651		24651-LDB5-E00	SPRING GEAR SHIFT RETURN	SPRING GEAR SHIFT RETURN	1	
24701		24701-LDB5-E00	GEAR CHANGE HNDL	GEAR CHANGE HNDL	1	
90433		90433-KAE1-001	WASHER 14MM	WASHER 14MM	1	
90451		90451-LDB5-E00	WASHER THRUST 17MM	WASHER THRUST 17MM	2	
90452		90452-KED9-900	WASHER 25*31*1.5	WASHER 25*31*1.5	2	
90454		90454-1G07-001	WASHER THRUST 20MM B	WASHER THRUST 20MM B	2	
90605		90605-KED9-900	SET RING 28MM	SET RING 28MM	4	
91021		91021-LDB5-E00	BEARING ONE WAY	BEARING ONE WAY	1	
94510		94510-25000	CIR CLIP EXTERNAL 25	CIR CLIP EXTERNAL 25	2	
94540		94540-12028	E RING 12	E RING 12	3	

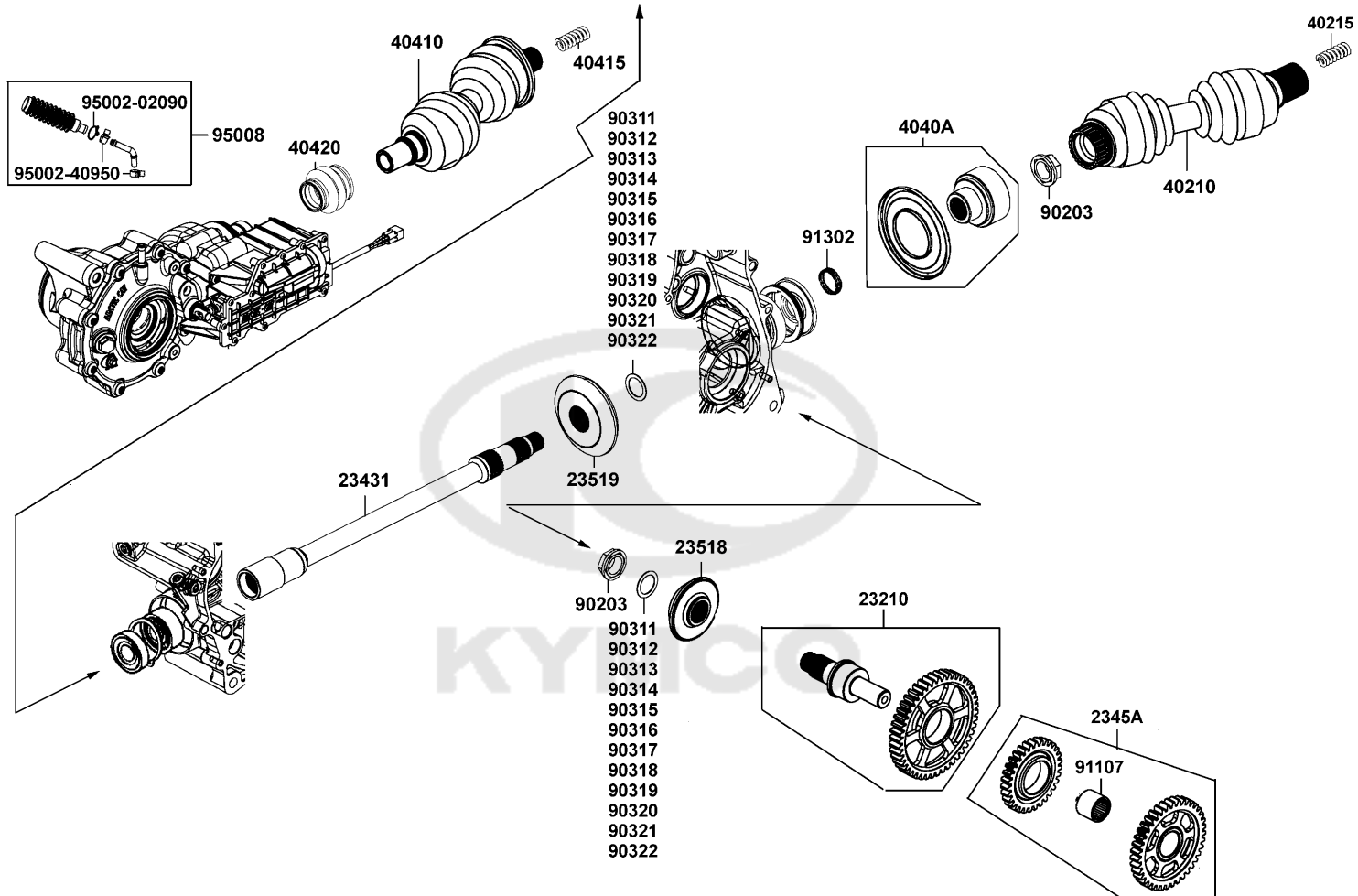




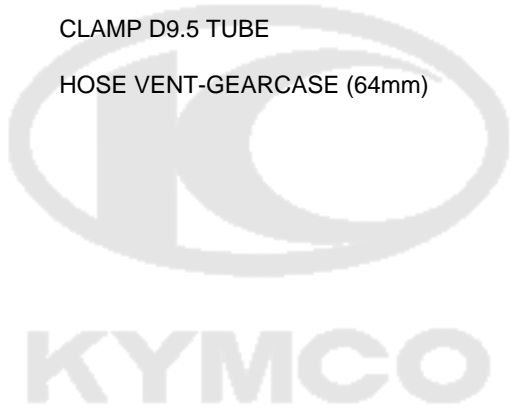
Sales mark	Ref no	Part no	Description	Reg description	Regd no	<b>E08</b>
23210		23210-LDB5-E00	SHAFT COMP MAIN	SHAFT COMP MAIN	1	
23431		23431-LDB5-E00	SHAFT FINAL	SHAFT FINAL	1	
2345A		2345A-LDB5-E00	GEAR COMP BACKWARD	GEAR COMP BACKWARD	1	
23518		23518-LDB5-E00	BEVEL GEAR DRIVE	BEVEL GEAR DRIVE	1	
23519		23519-LDB5-E00	BEVEL GEAR DRIVE	BEVEL GEAR DRIVE	1	
40210		40210-LFE9-E00	CVJ REAR PROPELLER SHAFT	CVJ REAR PROPELLER SHAFT	1	
40215		40215-LFE9-E00	SPRING REAR PROPELLER SHAFT	SPRING REAR PROPELLER SHAFT	1	
4040A		4040A-LDB5-E00	COUPLING RR PROPELLER	COUPLING RR PROPELLER	1	
40410		40410-LFE9-E00	CVJ FRONT PROPELLER SHAFT	CVJ FRONT PROPELLER SHAFT	1	
40415		40415-LDB5-E00	SPRING FR PROPELLER SHAFT	SPRING FR PROPELLER SHAFT	2	
40420		40420-LFE9-E00	BOOT REAR PROPELLER SHAFT	BOOT REAR PROPELLER SHAFT	1	
90203		90203-LDB5-E00	NUT FLANGE 20MM	NUT FLANGE 20MM	2	
90311		90311-LDB5-E00	SHIM FLNAL BEVEL GEAR A (0.6)	SHIM FLNAL BEVEL GEAR A (0.6)	2	
90312		90312-LDB5-E00	SHIM FLNAL BEVEL GEAR B (0.65)	SHIM FLNAL BEVEL GEAR B (0.65)	2	
90313		90313-LDB5-E00	SHIM FLNAL BEVEL GEAR C (0.7)	SHIM FLNAL BEVEL GEAR C (0.7)	2	
90314		90314-LDB5-E00	SHIM FLNAL BEVEL GEAR D (0.75)	SHIM FLNAL BEVEL GEAR D (0.75)	2	
90315		90315-LDB5-E00	SHIM FLNAL BEVEL GEAR E (0.8)	SHIM FLNAL BEVEL GEAR E (0.8)	2	
90316		90316-LDB5-E00	SHIM FLNAL BEVEL GEAR F (0.85)	SHIM FLNAL BEVEL GEAR F (0.85)	2	
90317		90317-LDB5-E00	SHIM FLNAL BEVEL GEAR G (0.9)	SHIM FLNAL BEVEL GEAR G (0.9)	2	
90318		90318-LDB5-E00	SHIM FLNAL BEVEL GEAR H (0.95)	SHIM FLNAL BEVEL GEAR H (0.95)	2	

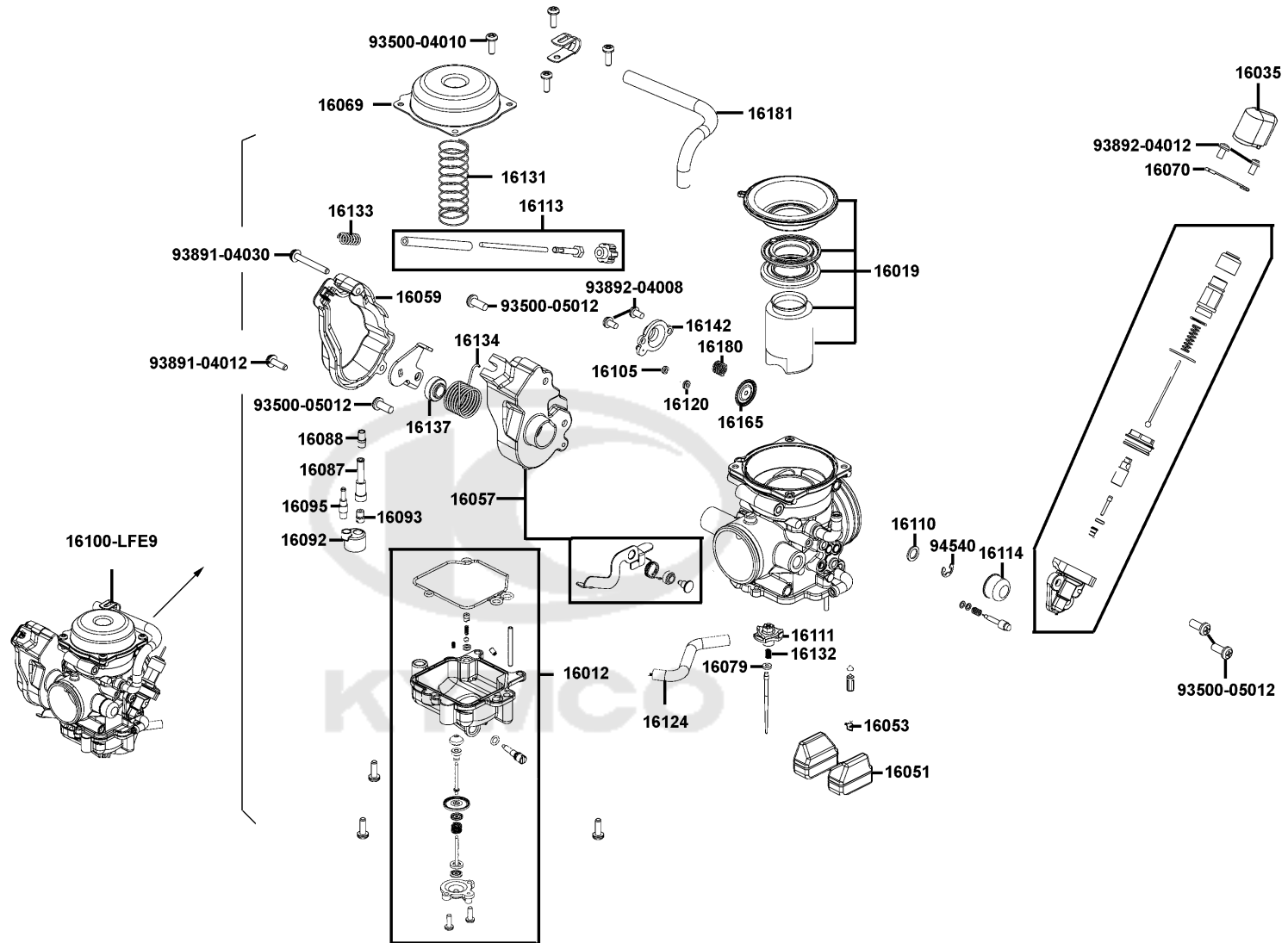
E08

# Shaft Reduction

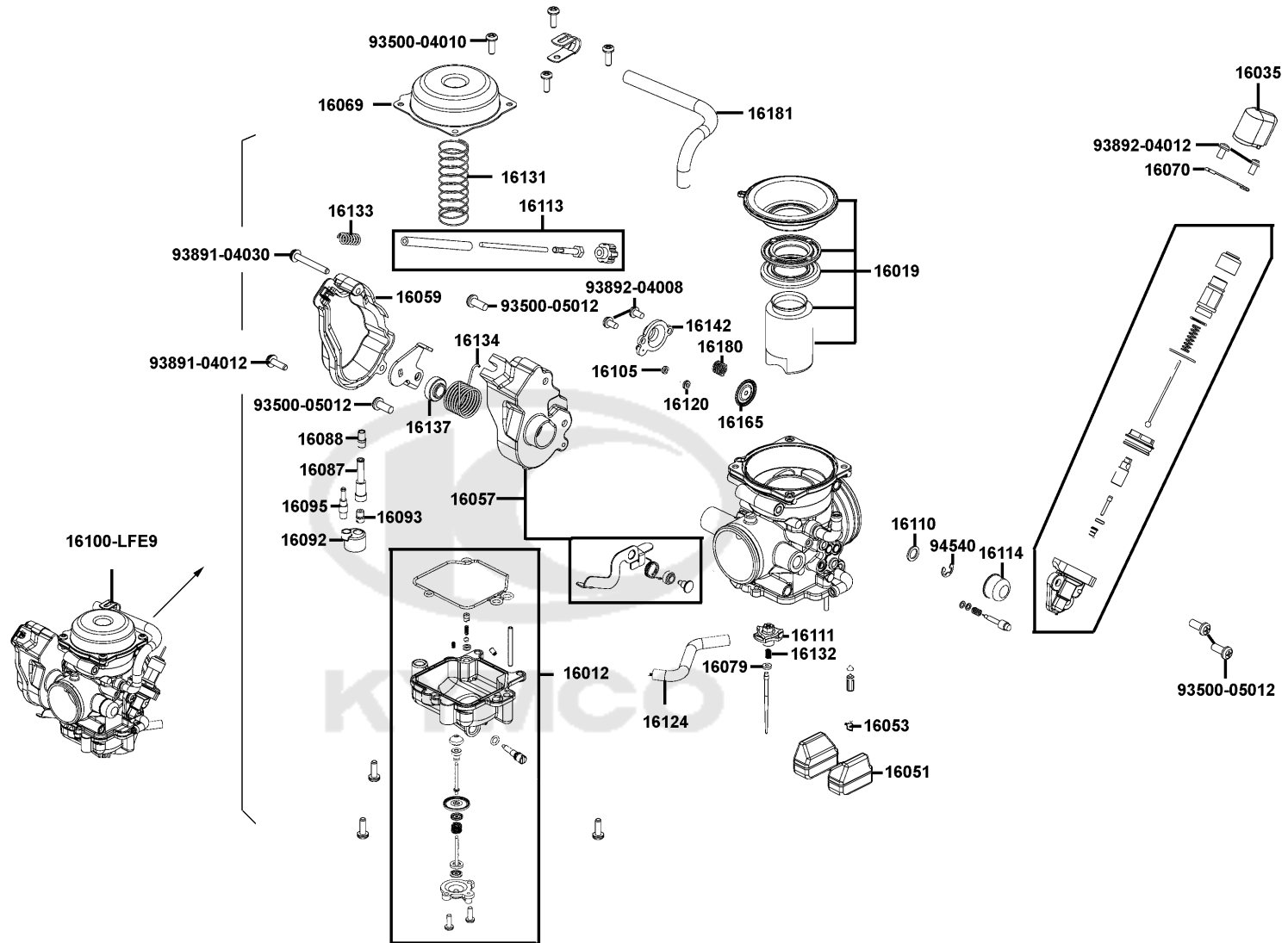


Sales mark	Ref no	Part no	Description	Reg description	Regd no	<b>E08</b>
90319		90319-LDB5-E00	SHIM FLNAL BEVEL GEAR I (1.0)	SHIM FLNAL BEVEL GEAR I (1.0)	2	
90320		90320-LDB5-E00	SHIM FLNAL BEVEL GEAR J (1.05)	SHIM FLNAL BEVEL GEAR J (1.05)	2	
90321		90321-LDB5-E00	SHIM FLNAL BEVEL GEAR K (1.1)	SHIM FLNAL BEVEL GEAR K (1.1)	2	
90322		90322-LDB5-E00	SHIM FLNAL BEVEL GEAR L (1.15)	SHIM FLNAL BEVEL GEAR L (1.15)	2	
91107		91107-LDB5-E00	BRG NEEDLE 20*28*23	BRG NEEDLE 20*28*23	1	
91302		91302-LDB5-E00	O-RING 22MM	O-RING 22MM	1	
95002-02090		95002-02090	CLIP B9 TUBE	CLIP B9 TUBE	1	
95002-40950		95002-40950-08	CLAMP D9.5 TUBE	CLAMP D9.5 TUBE	2	
95008		95008-PWB1-900	HOSE VENT-GEARCASE (64mm)	HOSE VENT-GEARCASE (64mm)	1	





Sales mark	Ref no	Part no	Description	Reg description	Regd no	E09
	16012	16012-LDB5-E00	CHAMBER COMP FLOAT	CHAMBER COMP FLOAT	1	
	16019	16019-LDB5-E00	VALVE ASSY PISTON	VALVE ASSY PISTON	1	
	16035	16035-LFE9-900	UNIT BY-ST	UNIT BY-ST	1	
	16051	16051-KGC5-90A	BODY FLOAT	BODY FLOAT	1	
	16053	16053-KEC3-900	PIN FLOAT	PIN FLOAT	1	
	16057	16057-LDB5-E00	BODY LEVER ASSY	BODY LEVER ASSY	1	
**	16059	16059-LDB5-E00	COVER WIRE STAY	COVER WIRE STAY	1	
	16069	16069-LDB5-E00	COVER PISTON VALVE DIAPHRAGM	COVER PISTON VALVE DIAPHRAGM	1	
#	16070	16070-KEC3-900	STOPPER BY-ST	STOPPER BY-ST	1	
#	16070	16070-LDB5-E00	STOPPER BY-ST	STOPPER BY-ST	1	
	16079	16079-LDB5-E00	NEEDLE ASSY JET	NEEDLE ASSY JET	1	
	16087	16087-LFE9-E00	TUBE EMUSSION	TUBE EMUSSION	1	
	16088	16088-KEC3-900	JET NEEDLE	JET NEEDLE	1	
	16092	16092-LDB5-E00	FILTER JET MAIN	FILTER JET MAIN	1	
	16093	16093-KEC3-128	MAIN JET #128	MAIN JET #128	1	
	16095	16095-KEC3-900	JET SLOW	JET SLOW	1	
	16100-LFE9	16100-LFE9-E00	CARBURETOR ASSY	CARBURETOR ASSY	1	
	16105	16105-LDB5-E00	COLLAR	COLLAR	1	
	16110	16110-KGC5-900	WASHER THROTTLE ASSY	WASHER THROTTLE ASSY	1	
	16111	16111-KHE7-900	STOPPER JET NEEDLE SPG	STOPPER JET NEEDLE SPG	1	

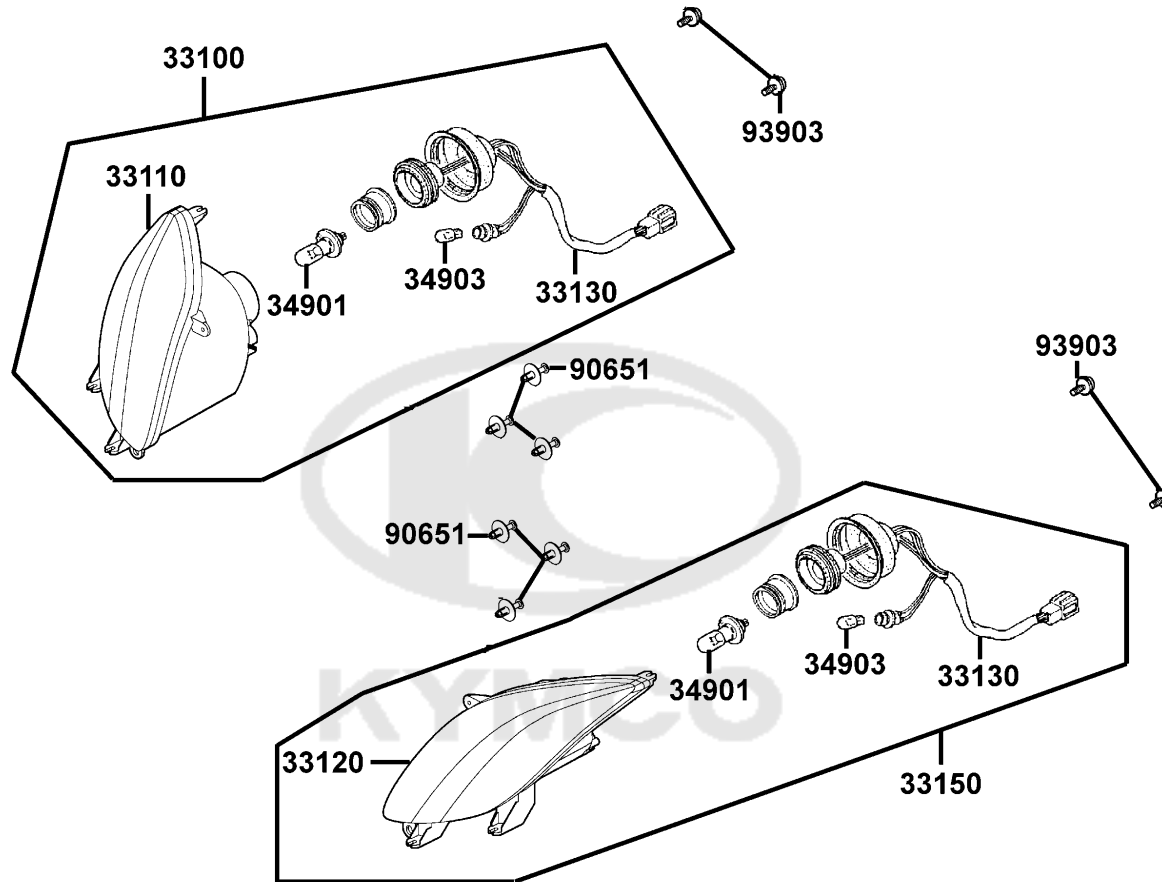


Sales mark	Ref no	Part no	Description	Reg description	Regd no	<b>E09</b>
	16113	16113-LDB5-E00	CABLE PILOT SCREW	CABLE PILOT SCREW	1	
	16114	16114-KEC3-900	SHAFT COVER	SHAFT COVER	1	
	16120	16120-KEC3-900	O-RING ACCP	O-RING ACCP	1	
#	16124	16124-LEE8-E00	TUBE COMPL 3.5x600	TUBE COMPL 3.5x600	1	
	16131	16131-LDB5-E00	SPRING VACCUM PISTON	SPRING VACCUM PISTON	1	
	16132	16132-KEC3-900	SPG JET NEEDLE	SPG JET NEEDLE	1	
	16133	16133-LDB5-E00	SPG THROTTLE ADJ SCREW	SPG THROTTLE ADJ SCREW	1	
	16134	16134-LDB5-E00	SPG THROTTLE SHAFT	SPG THROTTLE SHAFT	1	
	16137	16137-LDB5-E00	COLLAR LEVER	COLLAR LEVER	1	
	16142	16142-KGC5-900	COVER ACV	COVER ACV	1	
	16165	16165-KGC5-900	DIAPHRAGM	DIAPHRAGM	1	
	16180	16180-KGC5-900	SPG ACV	SPG ACV	1	
	16181	16181-LDB5-E00	TUBE AIR VENT	TUBE AIR VENT	1	
#	93500-04010	93500-04010-06	SCREW PAN 4*10	SCREW PAN 4*10	1	
#	93500-05012	93500-05012-0F	SCREW PAN 5*12	SCREW PAN 5*12	1	
	93891-04012	93891-04012-06	SCREW WASH 4*12	SCREW WASH 4*12	1	
	93891-04030	93891-04030-08	SCREW-WASH 4x30	SCREW-WASH 4x30	1	
#	93892-04008	93892-04008-16	SCREW WASHER 4*8	SCREW WASHER 4*8	1	
#	93892-04012	93892-04012-06	SCREW WASHER 4*12	SCREW WASHER 4*12	1	
	94540	94540-50029	E CLIP SHAFT	E CLIP SHAFT	1	



F01

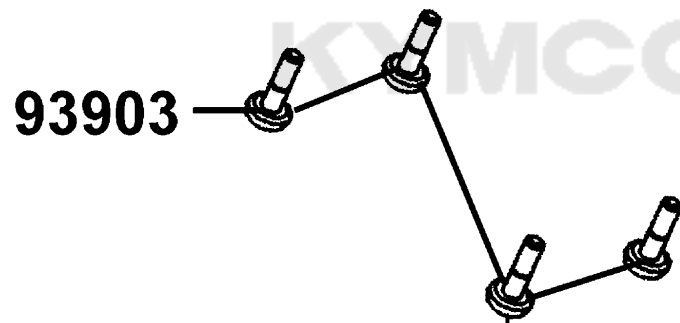
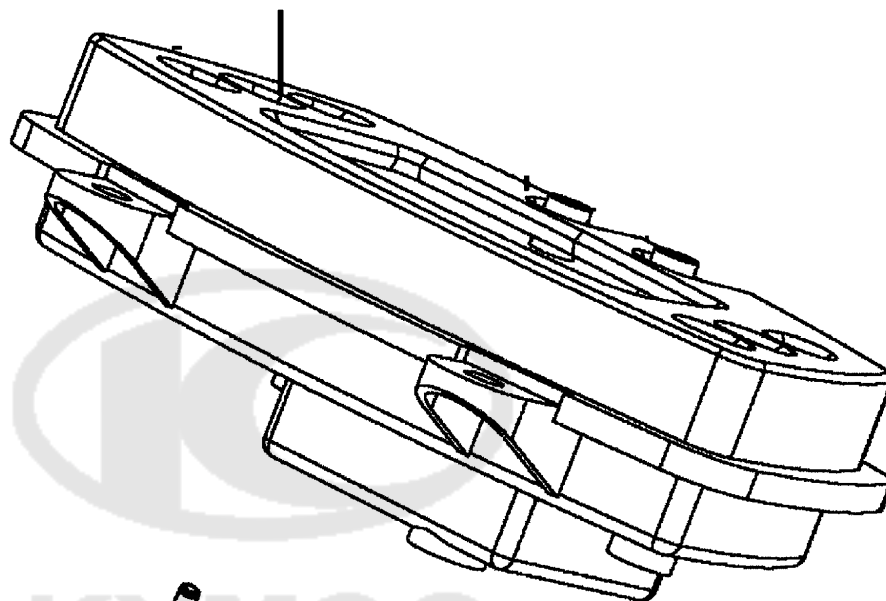
# Head Light



Sales mark	Ref no	Part no	Description	Reg description	Regd no	F01
	33100	33100-LDB5-E00	LIGHT ASSY R HEAD	LIGHT ASSY R HEAD	1	
	33110	33110-LDB5-E00	UNIT HEAD LIGHT R	UNIT HEAD LIGHT R	1	
	33120	33120-LDB5-E00	UNIT HEAD LIGHT L	UNIT HEAD LIGHT L	1	
	33130	33130-LDB5-E00	SOCKET COMP	SOCKET COMP	2	
	33150	33150-LDB5-E00	LIGHT ASSY L HEAD	LIGHT ASSY L HEAD	1	
	34901	34901-KFA6-900	BULB HEAD LIGHT	BULB HEAD LIGHT	2	
	34903	34903-KPCP-900	BULB POSITION	BULB POSITION	2	
	90651	90651-LCA5-E00	CLIP FENDER	CLIP FENDER	6	
#	93903	93903-35360	SCREW TAPPING 5*16	SCREW TAPPING 5*16	4	



37200-LFE9-E0A  
37200-LFE9-E0B



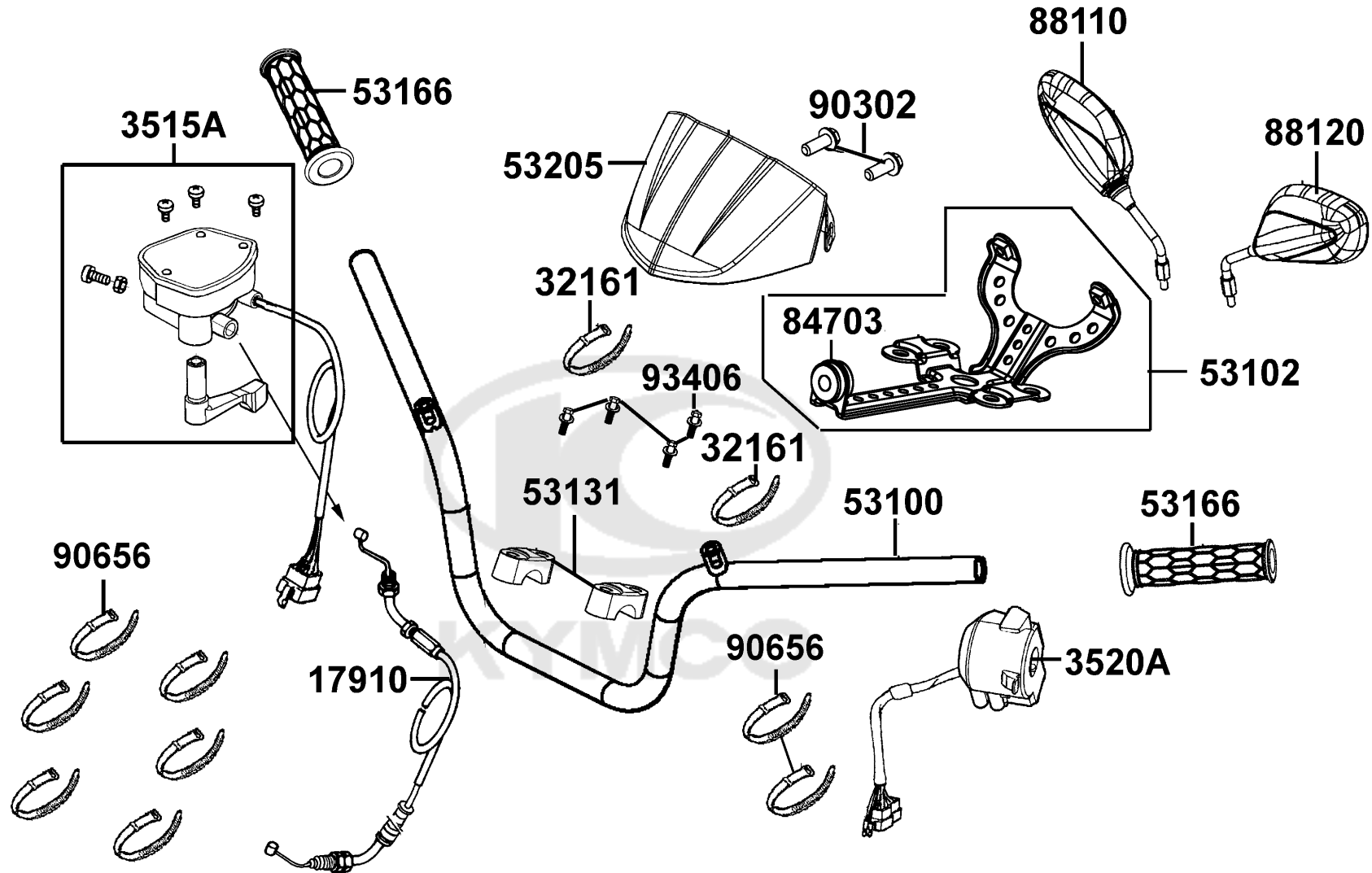
Sales mark	Ref no	Part no	Description	Reg description	Regd no	<b>F02</b>
------------	--------	---------	-------------	-----------------	---------	------------

#	37200-LFE9-E0A	37200-LFE9-E0A	METER ASSY SPEED	METER ASSY SPEED	2	
#	93903	93903-35360	SCREW TAPPING 5*16	SCREW TAPPING 5*16	4	



F03

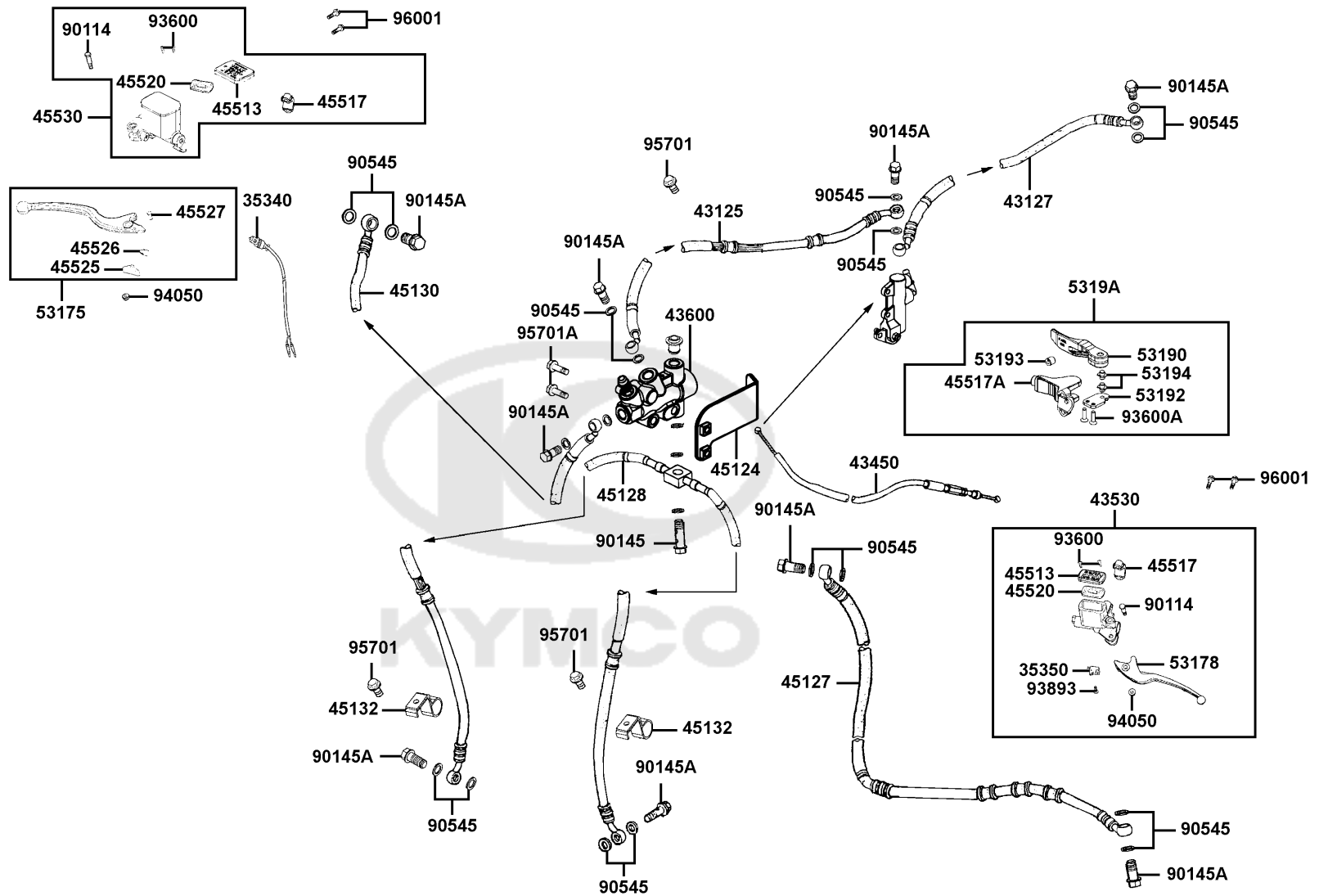
Handle Steering



Sales mark	Ref no	Part no	Description	Reg description	Regd no	F03
	17910	17910-LDB5-E00	CABLE COMP THROT	CABLE COMP THROT	1	
	32161	32161-4D04-001	BAND BI WIRE	BAND BI WIRE	2	
	3515A	3515A-LFE9-E00	SW & THROT ASSY RH HNDL	SW & THROT ASSY RH HNDL	1	
	3520A	3520A-LDB5-E00	SW ASSY HANDLE COMP	SW ASSY HANDLE COMP	1	
	53100	53100-LFE9-E00	HANDLEBAR	HANDLEBAR	1	
	53102	53102-LFE9-E00	STAY HANDLE COVER	STAY HANDLE COVER	1	
	53131	53131-4K39-001	HOLDER HANDLE PIPE	HOLDER HANDLE PIPE	2	
	53166	53166-LDB5-E00	GRIP HANDLE	GRIP HANDLE	2	
**	53205	53205-LDB5-E00	COVER HANDLE	COVER HANDLE	1	
	84703	84703-LLB1-900	RUBBER TAIL LIGHT	RUBBER TAIL LIGHT	1	
	88110	88110-LBA7-E00	MIRROR ASSY R BACK	MIRROR ASSY R BACK	1	
	88120	88120-LBA7-E00	MIRROR ASSY L BACK	MIRROR ASSY L BACK	1	
	90302	90302-GFY6-940	BOLT-WASH 5*16	BOLT-WASH 5*16	2	
	90656	90656-KCBC-900	BAND OIL HANDLE	BAND OIL HANDLE	8	
	93406	93406-LLB1-900	BOLT-WASHER 8*35	BOLT-WASHER 8*35	4	

F04

# Master Cylinder

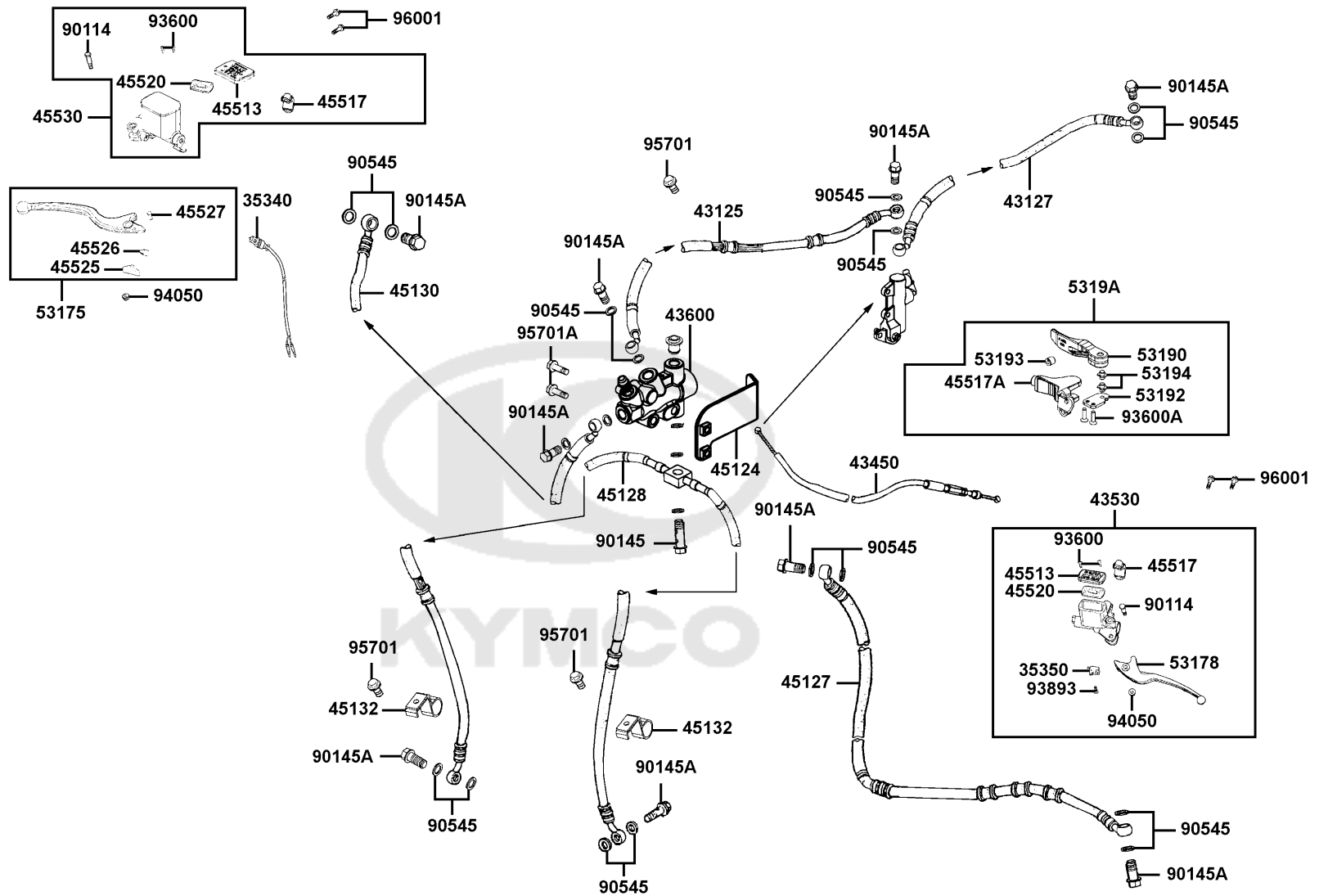


Sales mark	Ref no	Part no	Description	Reg description	Regd no	F04
35340		35340-LDB5-900	SW ASSY FR STOP	SW ASSY FR STOP	1	
35350		35350-KNBN-901	SW ASSY RR STOP	SW ASSY RR STOP	1	
43125		43125-LFE9-E00	HOSE ASSY BRAKE	HOSE ASSY BRAKE	1	
43127		43127-LFE9-E00	HOSE ASSY RR BRAKE	HOSE ASSY RR BRAKE	1	
43450		43450-LFE9-E00	CABLE PARKING BRAKE	CABLE PARKING BRAKE	1	
43530		43530-LFE9-305	CYLINDER SET RR NASTER	CYLINDER SET RR NASTER	1	
43600		43600-LDB5-E00	PGV ASSY	PGV ASSY	1	
45124		45124-LFE9-E00	STAY PGV	STAY PGV	1	
45127		45127-LFE9-E00	HOSE ASSY RR BRAKE	HOSE ASSY RR BRAKE	1	
45128		45128-LFE9-E01	HOSE ASSY. FR BRAKE-JUNCTION	HOSE ASSY. FR BRAKE-JUNCTION	1	
45130		45130-LFE9-E00	HOSE ASSY FR BRAKE-RH	HOSE ASSY FR BRAKE-RH	1	
45132		45132-LBA7-900	CLAMPER FR BRAKE HOSE	CLAMPER FR BRAKE HOSE	2	
45513		45513-KKC4-900	CAP M/C	CAP M/C	2	
45517		45517-KFAF-910	HOLDER M/C	HOLDER M/C	2	
45517A		45517-LDE9-E00	HOLDER	HOLDER	1	
45520		45520-KKC4-900	DIAPHRAGM	DIAPHRAGM	2	
45525		45525-LBA7-900	STOPPER	STOPPER	1	
45526		45526-LBA7-900	SPRING	SPRING	1	
45527		45527-LBA7-900	PIN PARK	PIN PARK	1	
45530		45530-LDB5-305	CYLINDER SET FR	CYLINDER SET FR	1	



F04

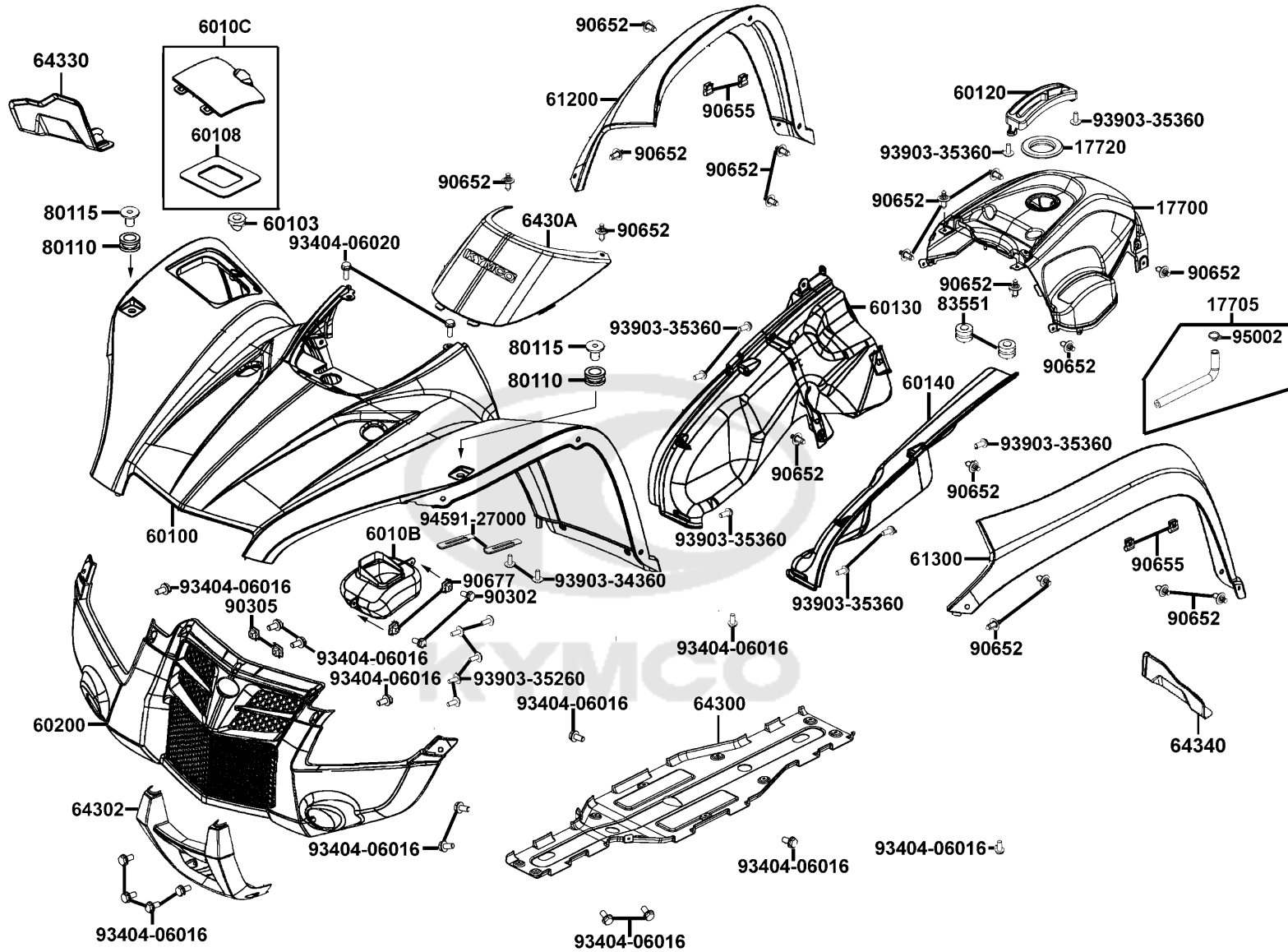
# Master Cylinder



Sales mark	Ref no	Part no	Description	Reg description	Regd no	F04
# **	53175	53175-LDB5-305	LEVER SET BRK	LEVER SET BRK	1	
**	53178	53178-KEBE-900	LEVER L STRG HNDL	LEVER L STRG HNDL	1	
	53190	53190-LDE9-E00	LEVER	LEVER	1	
	53192	53192-LDE9-E00	BRACKET	BRACKET	1	
	53193	53193-LDE9-E00	STOPPER	STOPPER	1	
	53194	53194-LDE9-E00	PIVOT	PIVOT	2	
	5319A	5319A-LDE9-E00	PARKING BRAKE ASSY	PARKING BRAKE ASSY	1	
	90114	90114-1F66-007	BOLT HANDLE LEVER	BOLT HANDLE LEVER	2	
	90145	90145-LBA2-E00	OIL BOLT 10*33	OIL BOLT 10*33	1	
	90145A	90145-MKS9-61A-06	OIL BOLT 10*22	OIL BOLT 10*22	9	
	90545	90545-3L00-001	WASHER OIL BOLT	WASHER OIL BOLT	21	
	93600	93600-04012-1G	SCREW FLAT 4*12	SCREW FLAT 4*12	4	
	93600A	93600-LDE9-E00	SCREW FLAT M6	SCREW FLAT M6	2	
	93893	93893-04012-18	SCREW WASHER 4*12	SCREW WASHER 4*12	1	
#	94050	94050-06060	NUT FLANGE 6MM	NUT FLANGE 6MM	2	
#	95701	95701-06012-06	BOLT FLANGE 6*12	BOLT FLANGE 6*12	2	
#	95701A	95701-06040-06	BOLT FLANGE 6*40	BOLT FLANGE 6*40	2	
#	96001	96001-06022-06	BOLT FLANGE SH 6*22 (G)	BOLT FLANGE SH 6*22 (G)	4	

F05

Fender Front



Sales mark	Ref no	Part no	Description	Reg description	Regd no	F05
**	17700	17700-LDB5-E00	COVER TANK	COVER TANK	1	
	17705	17705-LDB5-E00	TUBE ASSY FUEL DRAIN	TUBE ASSY FUEL DRAIN	1	
	17720	17720-LBA7-900	TRAY TANK COVER	TRAY TANK COVER	1	
**	60100	60100-LDB5-E00	FENDER FRONT	FENDER FRONT	1	
	60103	60103-LFE9-E00	CATCH LID	CATCH LID	1	
	60108	60108-LDB5-E00	SEAL LID	SEAL LID	1	
	6010B	6010B-LDB5-E00	BOX ASSY TOOL	BOX ASSY TOOL	1	
**	6010C	6010C-LDB5-E00	LID ASSY TOOL BOX	LID ASSY TOOL BOX	1	
**	60120	60120-LDB5-E01	GUIDE COVER CHANGE HANDLE	GUIDE COVER CHANGE HANDLE	1	
**	60130	60130-LFE9-E01	PROTECTOR R	PROTECTOR R	1	
**	60140	60140-LFE9-E01	PROTECTOR L	PROTECTOR L	1	
**	60200	60200-LDB5-E01	MUDGUARD FRONT	MUDGUARD FRONT	1	
**	61200	61200-LDB5-E01	MUDGUARD R FR SIDE	MUDGUARD R FR SIDE	1	
**	61300	61300-LDB5-E01	MUDGUARD L FR SIDE	MUDGUARD L FR SIDE	1	
**	64300	64300-LFE9-E01	PLATE SKID	PLATE SKID	1	
**	64302	64302-LDB5-E01	BUMPER FRONT	BUMPER FRONT	1	
**	6430A	6430A-LDB5-E00	COVER ASSY FRONT	COVER ASSY FRONT	1	
**	64330	64330-LFE9-E00	GUARD R BOOT	GUARD R BOOT	1	
**	64340	64340-LFE9-E01	GUARD L BOOT	GUARD L BOOT	1	
	80110	80110-LDB5-900	RUBBER FENDER	RUBBER FENDER	2	



Sales mark	Ref no	Part no	Description	Reg description	Regd no	F05
	80115	80115-LDB5-900	COLLAR FENDER	COLLAR FENDER	2	
	83551	83551-LDB5-E00	GROMMET COVER	GROMMET COVER	3	
	90302	90302-PWA1-900	BOLT-WASH 5*16	BOLT-WASH 5*16	2	
	90305	90305-GHK8-001	NUT CLIP 6MM	NUT CLIP 6MM	2	
	90652	90652-LCA4-E00	CLIP MUDGUARD	CLIP MUDGUARD	18	
	90655	90655-PWA2-900	CLIP FENDER MOUNTING	CLIP FENDER MOUNTING	4	
	90677	90677-GAR1-004	NUT CLIP 5MM	NUT CLIP 5MM	2	
	93404-06016	93404-06016-06	BOLT WASHER 6*16	BOLT WASHER 6*16	18	
#	93404-06020	93404-06020-06	BOLT WASHER 6*20 (G)	BOLT WASHER 6*20 (G)	2	
#	93903-34360	93903-34360	SCREW TAPPING 4*12 (G)	SCREW TAPPING 4*12 (G)	2	
	93903-35260	93903-35260	SCREW TAPPING 5*12	SCREW TAPPING 5*12	5	
#	93903-35360	93903-35360	SCREW TAPPING 5*16	SCREW TAPPING 5*16	8	
	94591-27000	94591-27000	CLIP 2*70	CLIP 2*70	2	
	95002	95002-02100	CLIP B15 TUBE	CLIP B15 TUBE	1	



Sales mark	Ref no	Part no	Description	Reg description	Regd no	F06
	47400	47400-PWB1-900	KNUCKLE STEERING ASSEMBLY	KNUCKLE STEERING ASSEMBLY	1	
	47500	47500-PWB1-900	KNUCKLE STEERING ASSEMBLY	KNUCKLE STEERING ASSEMBLY	1	
**	51400	51400-LFE9-E00	CUSHION ASSY FR	CUSHION ASSY FR	2	
	52103	52103-PWB1-900	SLEEVE SUSPENSION	SLEEVE SUSPENSION	2	
	52104	52104-PWB1-900	SLEEVE SUSPENSION	SLEEVE SUSPENSION	4	
	52108	52108-PWB1-900	BUSHING SUSPENSION	BUSHING SUSPENSION	12	
	52144	52144-PWB1-900	SEAL SUSPENSION	SEAL SUSPENSION	12	
	53200	53200-LFE9-E00	POST STEERING	POST STEERING	1	
	53250	53250-PWB1-900	BEARING STEERING-LOW SPEED	BEARING STEERING-LOW SPEED	1	
	53251	53251-LCA5-E00	HOLDER STEM STEERING	HOLDER STEM STEERING	2	
	53252	53252-LBA7-900	CLAMPER STEM HOLDER	CLAMPER STEM HOLDER	1	
	53254	53254-LBA7-900	SLEEVE STEM	SLEEVE STEM	1	
	53261	53261-PWB1-900	FLANGE BEARING-TWO MTG HOLE	FLANGE BEARING-TWO MTG HOLE	1	
**	53400	53400-LFE9-E00	A-ARM ASSY FRONT UPPER R/H	A-ARM ASSY FRONT UPPER R/H	1	
#	53410	53410-PRB1-900	BALL JOINT ASSY	BALL JOINT ASSY	1	
**	53450	53450-LFE9-E00	A-ARM ASSY FR LOWER RH	A-ARM ASSY FR LOWER RH	1	
**	53500	53500-LFE9-E00	A-ARM ASSY FRONT UPPER LH	A-ARM ASSY FRONT UPPER LH	1	
**	53550	53550-LFE9-E00	A-ARM ASSY FR LOWER LH	A-ARM ASSY FR LOWER LH	1	
#	53700	53700-ALC1-900	TIE - ROD ASSY	TIE - ROD ASSY	1	
#	53700	53700-LFE9-E00	TIE ROD-ASSY	TIE ROD-ASSY	2	

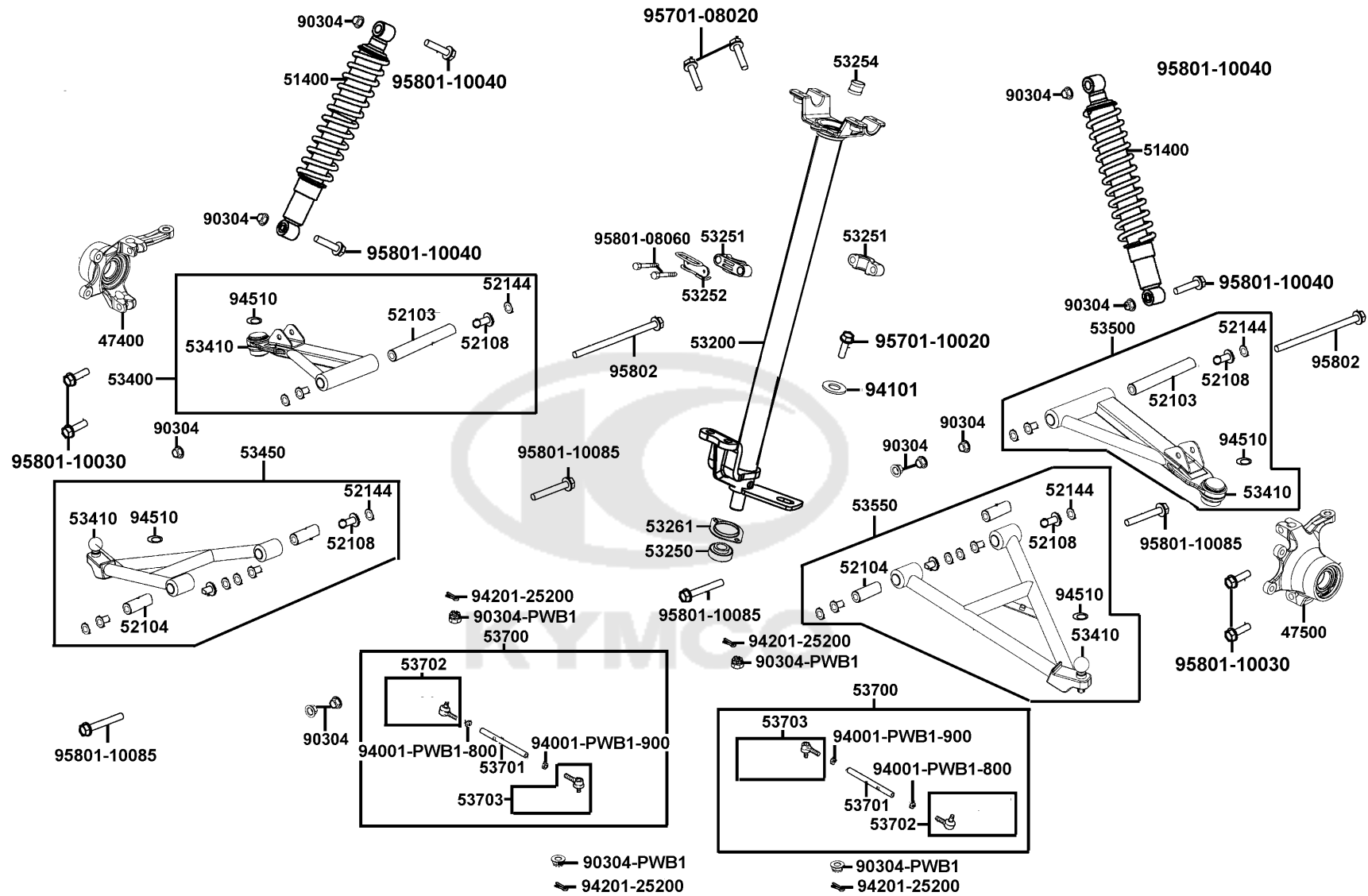




Sales mark	Ref no	Part no	Description	Reg description	Regd no	F06
#	53701	53701-ALC1-E00	TIE ROD	TIE ROD	1	
#	53701	53701-LFE9-E00	TIE ROD	TIE ROD	2	
#	53702	53702-ALC1-E00	JOINT R BALL	JOINT R BALL	1	
#	53702	53702-LFE9-E00	JOINT R BALL	JOINT R BALL	2	
#	53703	53703-ALC1-E00	JOINT L BALL	JOINT L BALL	1	
#	53703	53703-LFE9-E00	JOINT L BALL	JOINT L BALL	2	
	90304	90304-GHE8-004	NUT U 10MM	NUT U 10MM	10	
#	94001-PWB1-800	94001-12080	NUT HEX 12MM	NUT HEX 12MM	1	
#	94001-PWB1-900	94001-LGC7-E00	NUT HEX LH 12MM	NUT HEX LH 12MM	1	
#	94001-PWB1-900	94001-PWB1-700	NUT HEX LH 10MM	NUT HEX LH 10MM	2	
#	94001-PWB1-800	94001-PWB1-800	NUT HEX 10MM	NUT HEX 10MM	2	
#	90304	94011-LKA8-E00	NUT CASTLE 10MM	NUT CASTLE 10MM	4	
	94101	94101-PWB1-900	WASHER FLAT	WASHER FLAT	1	
#	94201-25200	94201-25250	PIN SPLIT 2.5*25	PIN SPLIT 2.5*25	4	
	94510	94510-PWB1-900	CIRCLIP EX 29	CIRCLIP EX 29	4	
	95701-08020	95701-08020-06	BOLT FLANGE 8*20	BOLT FLANGE 8*20	2	
	95701-10020	95701-10020-06	BOLT FLANGE 10*20	BOLT FLANGE 10*20	1	
	95801-08060	95801-08060-06	BOLT FLANGE 8*60	BOLT FLANGE 8*60	2	
	95801-10030	95801-10030-06	BOLT FLANGE 10*30(G)	BOLT FLANGE 10*30(G)	4	
#	95801-10040	95801-10040-06	BOLT FLANGE 10*40	BOLT FLANGE 10*40	1	

F06

# Stem Steering



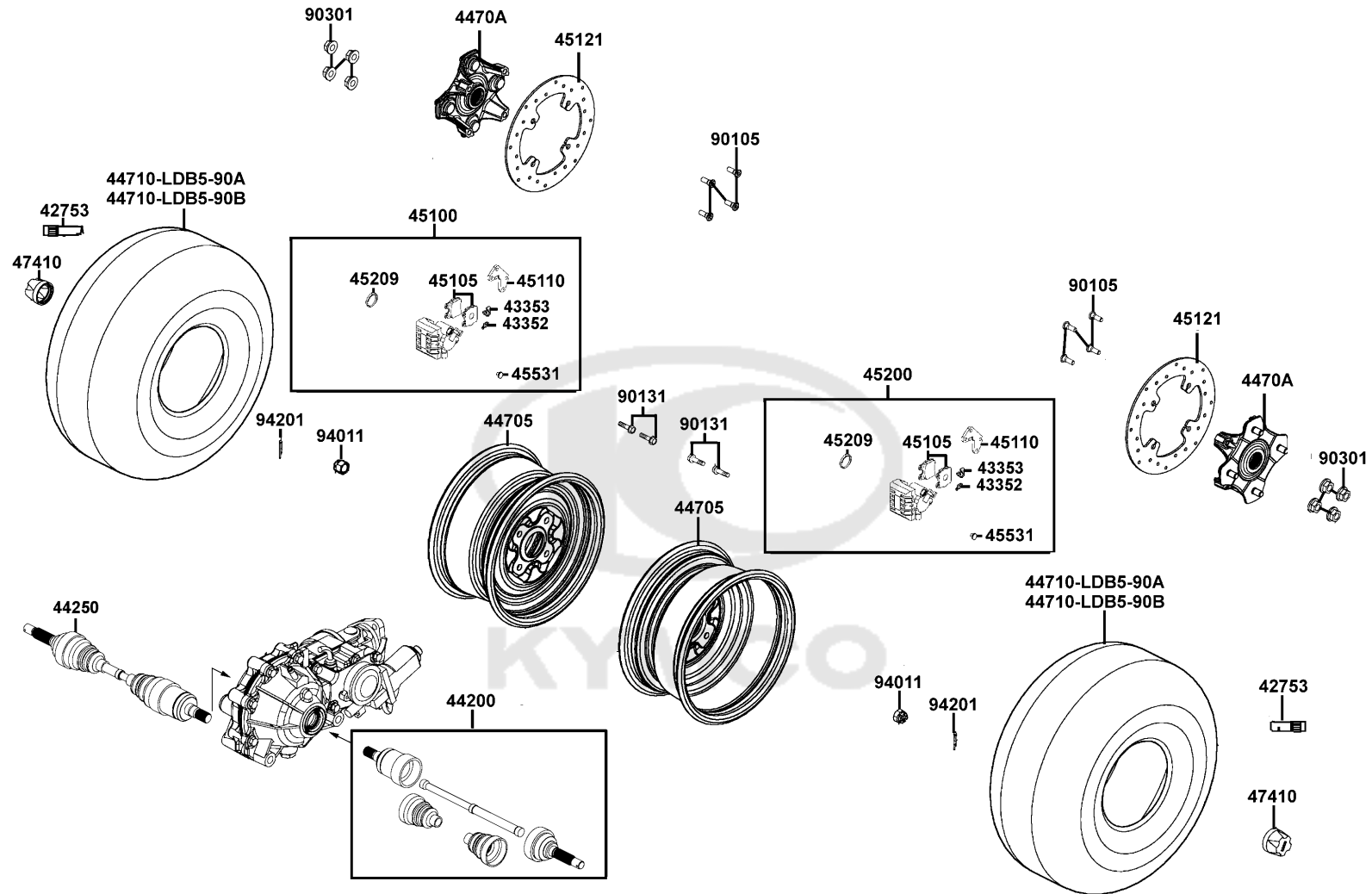
Sales mark	Ref no	Part no	Description	Reg description	Regd no	<b>F06</b>
------------	--------	---------	-------------	-----------------	---------	------------

	95801-10085	95801-10085-06	BOLT FLANGE 10*85	BOLT FLANGE 10*85	4	
	95802	95802-PWB1-900	SCREW CAP-HFH M10X1.25X180	SCREW CAP-HFH M10X1.25X180	2	



F07

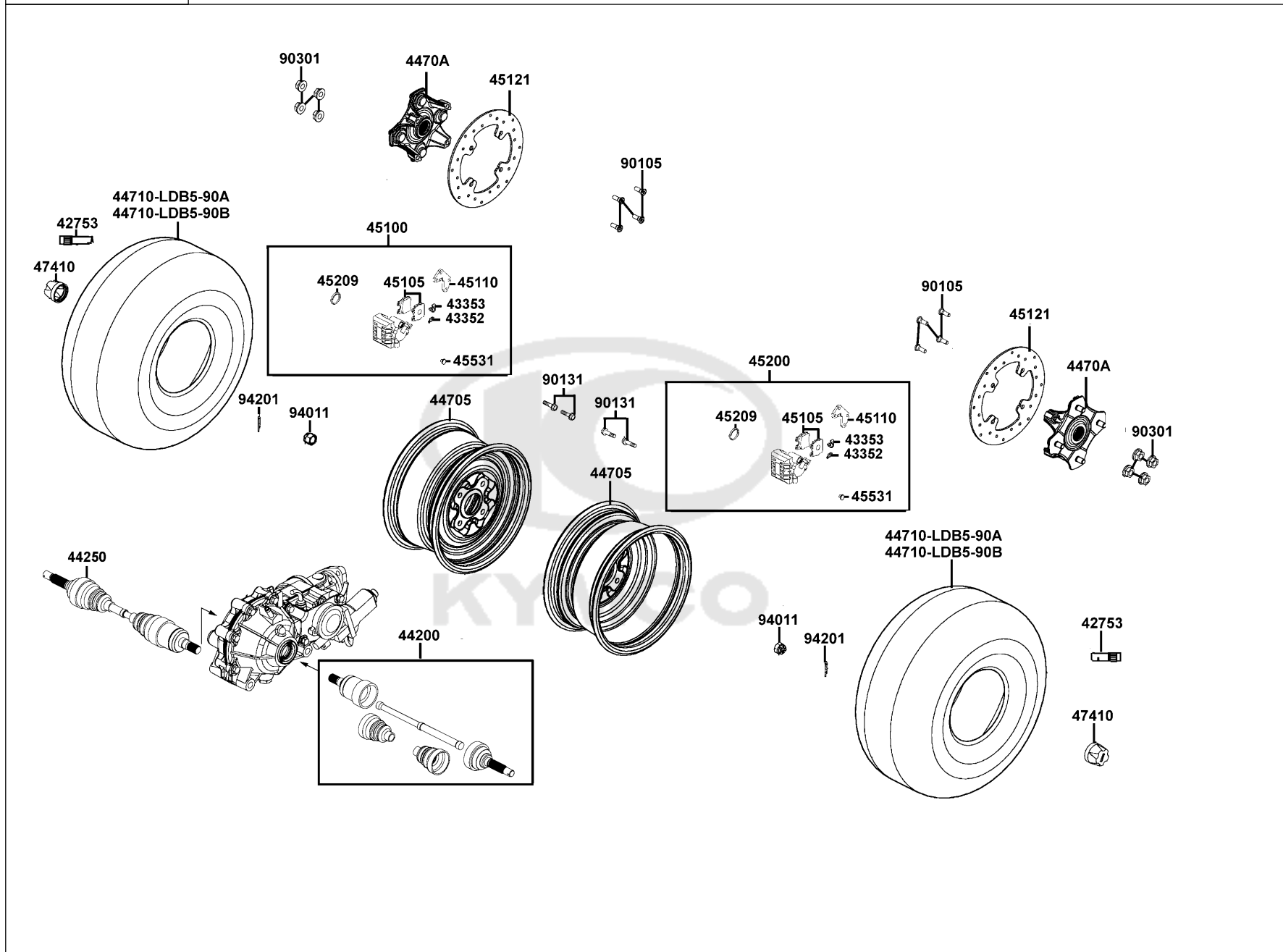
# Front Wheel



Sales mark	Ref no	Part no	Description	Reg description	Regd no	F07
	42753	42753-KNBN-90B	VALAE RIM (TR412)	VALAE RIM (TR412)	2	
	43352	43352-KKD6-E90	SCREW BLEEDER	SCREW BLEEDER	2	
	43353	43353-4A61-77A	CAP BLEEDER	CAP BLEEDER	2	
#	44200	44200-ALC1-900	HALF SHAFT FRONT-RH	HALF SHAFT FRONT-RH	1	
#	44200	44200-LFE9-E00	HALF SHAFT FRONT-RH	HALF SHAFT FRONT-RH	1	
#	44250	44250-ALC1-900	HALF SHAFT FRONT-LH	HALF SHAFT FRONT-LH	1	
#	44250	44250-LFE9-E00	HALF SHAFT FRONT-LH	HALF SHAFT FRONT-LH	1	
**	44705	44705-LFE9-E00	RIM COMP FR WHEEL	RIM COMP FR WHEEL	2	
	4470A	4470A-LFA5-E01	HUB ASSEMBLY	HUB ASSEMBLY	2	
	44710-LDB5-90A	44710-LDB5-90A	TIRE FR ASSY/AT25*8-12 4P TL /KENDA	TIRE FR ASSY/AT25*8-12 4P TL /KENDA	2	
	44710-LDB5-90B	44710-LDB5-90B	TIRE FR ASSY/AT25*8-12 4PR /MAXXIS	TIRE FR ASSY/AT25*8-12 4PR /MAXXIS	2	
**	45100	45100-LFE9-E00	CALIPER ASSY FR BRK-RH	CALIPER ASSY FR BRK-RH	1	
	45105	45105-LFE9-305	PAD SET	PAD SET	2	
	45110	45110-LFE9-E00	BRACKET	BRACKET	2	
	45121	45121-PWB1-900	DISK BRAKE	DISK BRAKE	2	
**	45200	45200-LFE9-E00	CALIPER ASSY FR BRK-LH	CALIPER ASSY FR BRK-LH	1	
	45209	45209-LFE9-E00	SEAL PISTON	SEAL PISTON	4	
	45531	45531-GAR1-951	PLUG	PLUG	2	
	47410	47410-LDB5-E00	CAP WHEEL SHAFT	CAP WHEEL SHAFT	2	
	90105	90105-LFA5-E01	STUD WHEEL MOUNTING	STUD WHEEL MOUNTING	8	

F07

# Front Wheel



Sales mark	Ref no	Part no	Description	Reg description	Regd no	<b>F07</b>
------------	--------	---------	-------------	-----------------	---------	------------

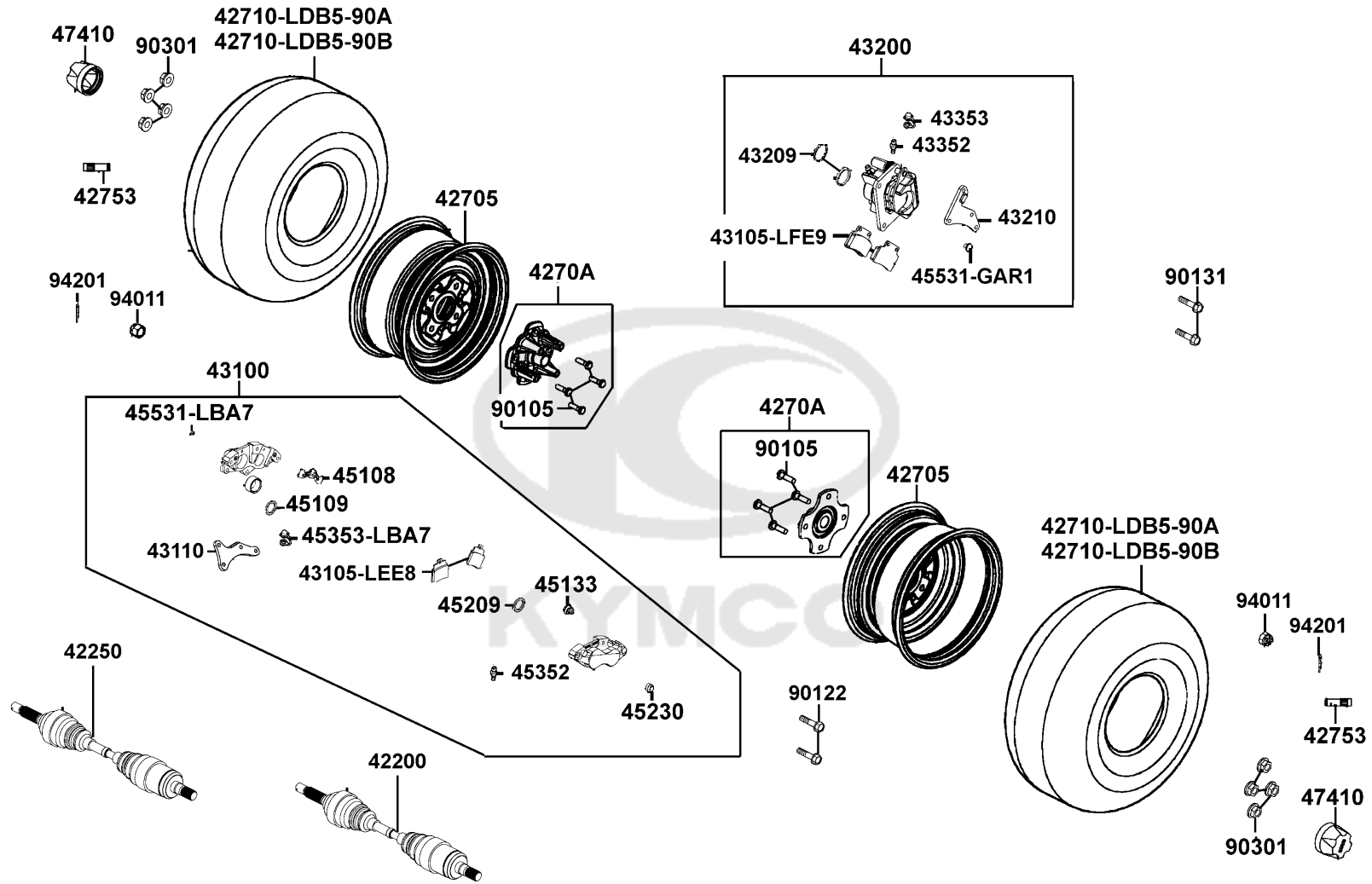
90131		90131-LDB5-E00	BOLT FLANGE 8*20	BOLT FLANGE 8*20	4	
90301		90301-LDB5-E00	NUT WHEEL	NUT WHEEL	8	
94011		94011-PWB1-900	NUT CASTLE FLANGE M22x1.5	NUT CASTLE FLANGE M22x1.5	2	
94201-30400		94201-30400	PIN SPLIT 3*40	PIN SPLIT 3*40	2	





F08

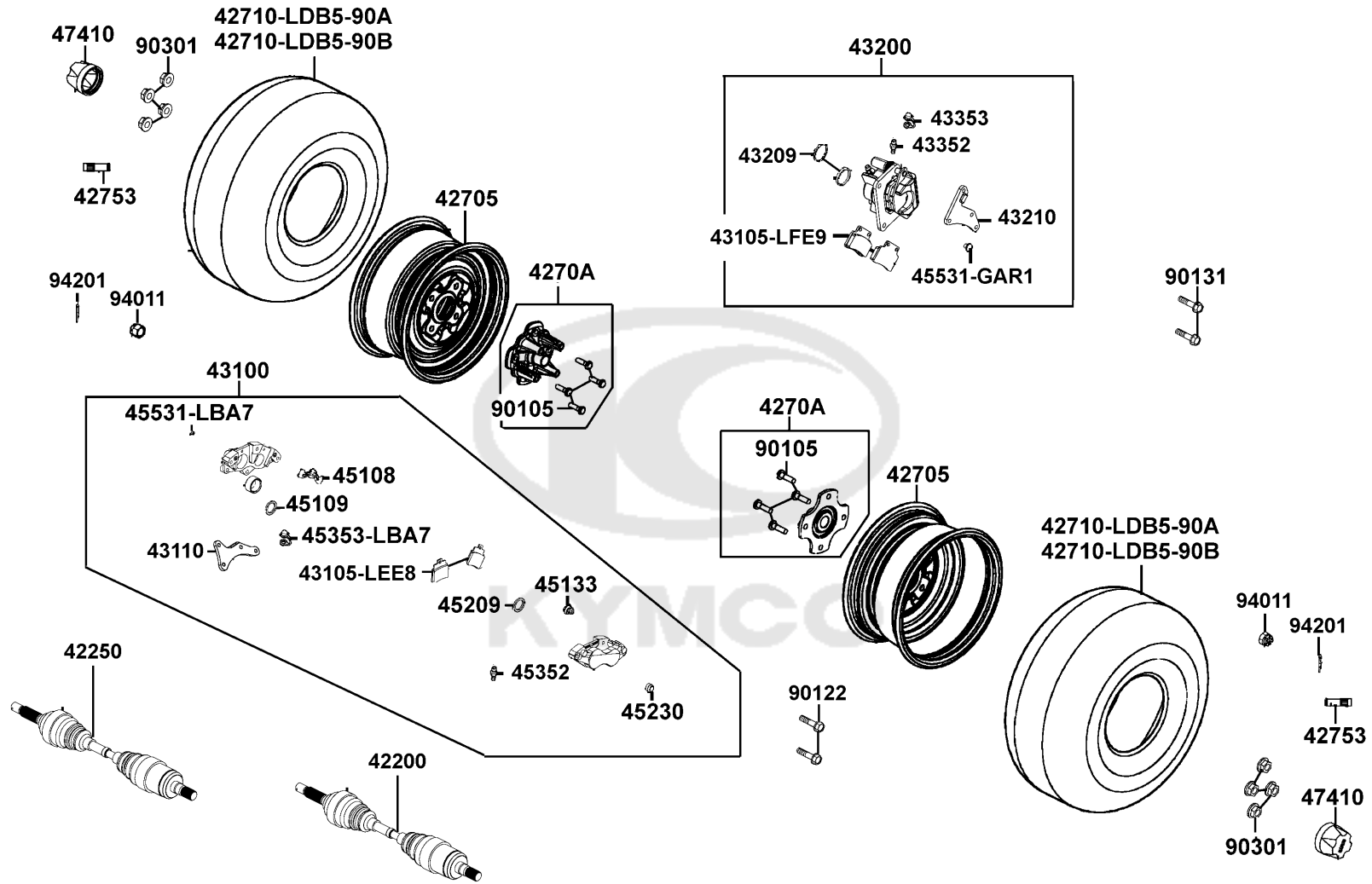
Rear Wheel



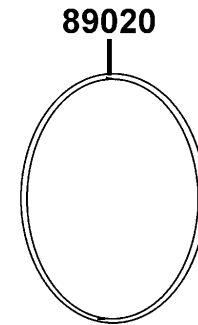
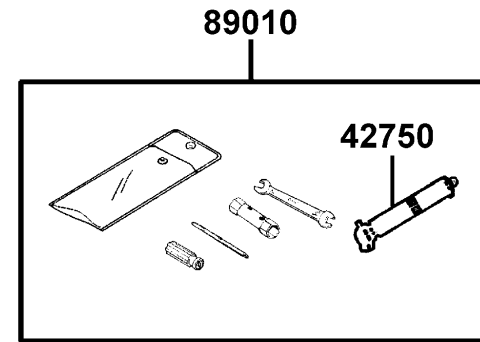
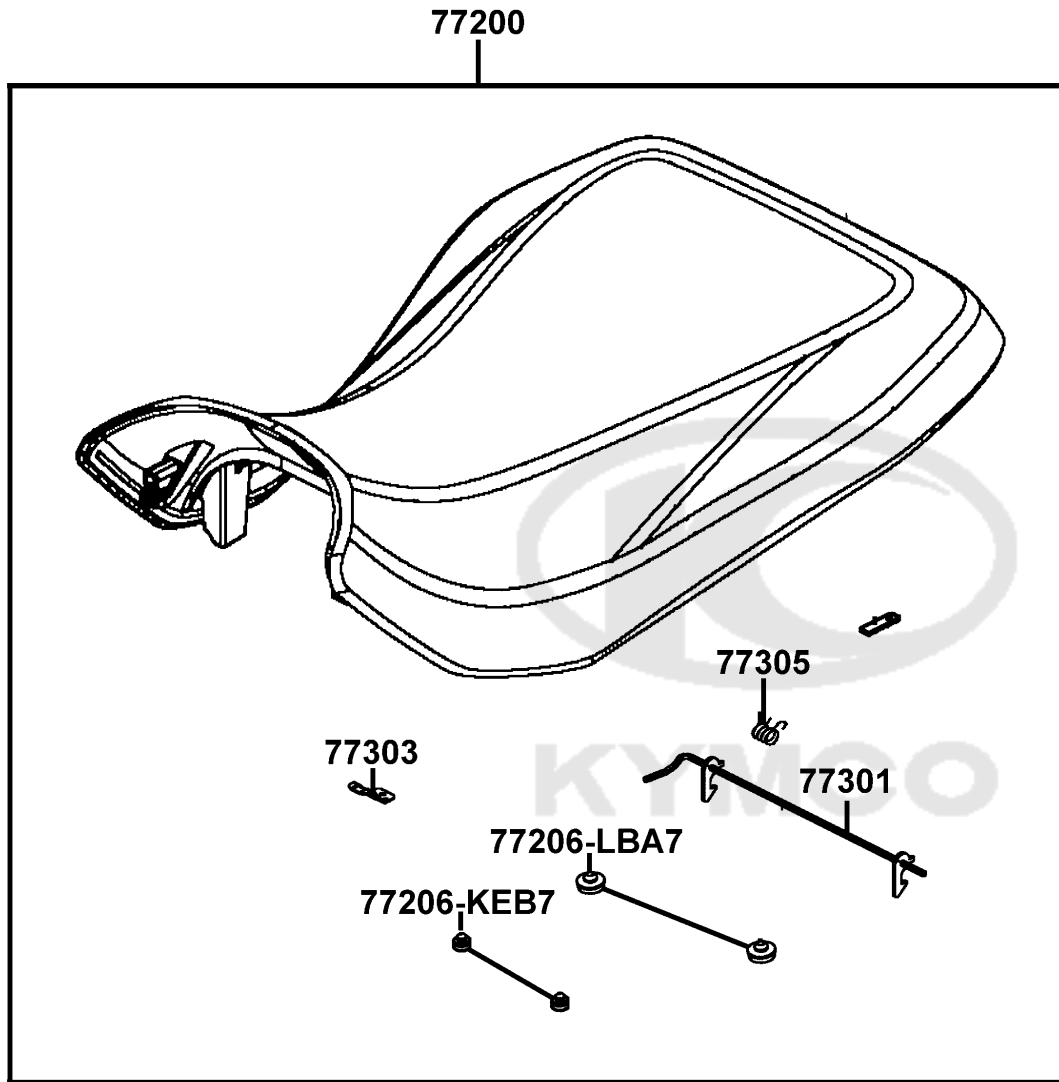
Sales mark	Ref no	Part no	Description	Reg description	Regd no	F08
	42200	42200-LFE9-E00	HALF SHAFT REAR-RH	HALF SHAFT REAR-RH	1	
	42250	42250-LFE9-E00	HALF SHAFT REAR-LH	HALF SHAFT REAR-LH	1	
**	42705	42705-LFE9-E00	RIM COMP RR WHEEL	RIM COMP RR WHEEL	2	
	4270A	4270A-LFA5-E01	HUB ASSEMBLY	HUB ASSEMBLY	2	
	42710-LDB5-90A	42710-LDB5-90A	TIRE ASSY RR/AT25*10-12 4P TL /KENDA	TIRE ASSY RR/AT25*10-12 4P TL /KENDA	2	
	42710-LDB5-90B	42710-LDB5-90B	TIRE ASSY RR/AT25*10-12 4PR /MAXXIS	TIRE ASSY RR/AT25*10-12 4PR /MAXXIS	2	
	42753	42753-KNBN-90B	VALAE RIM (TR412)	VALAE RIM (TR412)	2	
**	43100	43100-LFE9-E00	CALIPER ASSY RR BRK	CALIPER ASSY RR BRK	1	
	43105-LEE8	43105-LEE8-305	PAD ASSY	PAD ASSY	1	
	43105-LFE9	43105-LFE9-305	PAD SET	PAD SET	1	
	43110	43110-LFE9-305	BRACKET ASSY	BRACKET ASSY	1	
**	43200	43200-LFE9-E00	CALIPER ASSY RR BRK	CALIPER ASSY RR BRK	1	
	43209	43209-KKC4-900	SEAL PISTON	SEAL PISTON	2	
	43210	43210-LFE9-305	BRACKET ASSY	BRACKET ASSY	1	
	43352	43352-KKD6-E90	SCREW BLEEDER	SCREW BLEEDER	1	
	43353	43353-4A61-77A	CAP BLEEDER	CAP BLEEDER	1	
	45108	45108-LBA7-900	SPRING PAD	SPRING PAD	2	
#	45109	45109-KKC4-900	DUST SEAL	DUST SEAL	1	
	45133	45133-LBA7-900	BOOT A	BOOT A	2	
#	45209	45209-KFA6-900	SEAL PISTON	SEAL PISTON	1	

F08

Rear Wheel



Sales mark	Ref no	Part no	Description	Reg description	Regd no	<b>F08</b>
45230		45230-LBA7-900	BUSH PIN	BUSH PIN	1	
45352		45352-LBA7-900	BLEEDER	BLEEDER	1	
45353-LBA7		45353-LBA7-900	CAP BLEEDER	CAP BLEEDER	2	
45531-GAR1		45531-GAR1-951	PLUG	PLUG	1	
45531-LBA7		45531-LBA7-900	PLUG	PLUG	2	
47410		47410-LDB5-E00	CAP WHEEL SHAFT	CAP WHEEL SHAFT	2	
90105		90105-LFA5-E01	STUD WHEEL MOUNTING	STUD WHEEL MOUNTING	8	
90122		90122-KEBE-900	BOLT FLANGE 8*32	BOLT FLANGE 8*32	2	
90131		90131-KEBE-900	BOLT FLANGE 8*24	BOLT FLANGE 8*24	2	
90301		90301-PWB1-900	NUT LUG-M10 (60 DEG)	NUT LUG-M10 (60 DEG)	8	
94011		94011-PWB1-900	NUT CASTLE FLANGE M22x1.5	NUT CASTLE FLANGE M22x1.5	2	
94201		94201-30400	PIN SPLIT 3*40	PIN SPLIT 3*40	2	

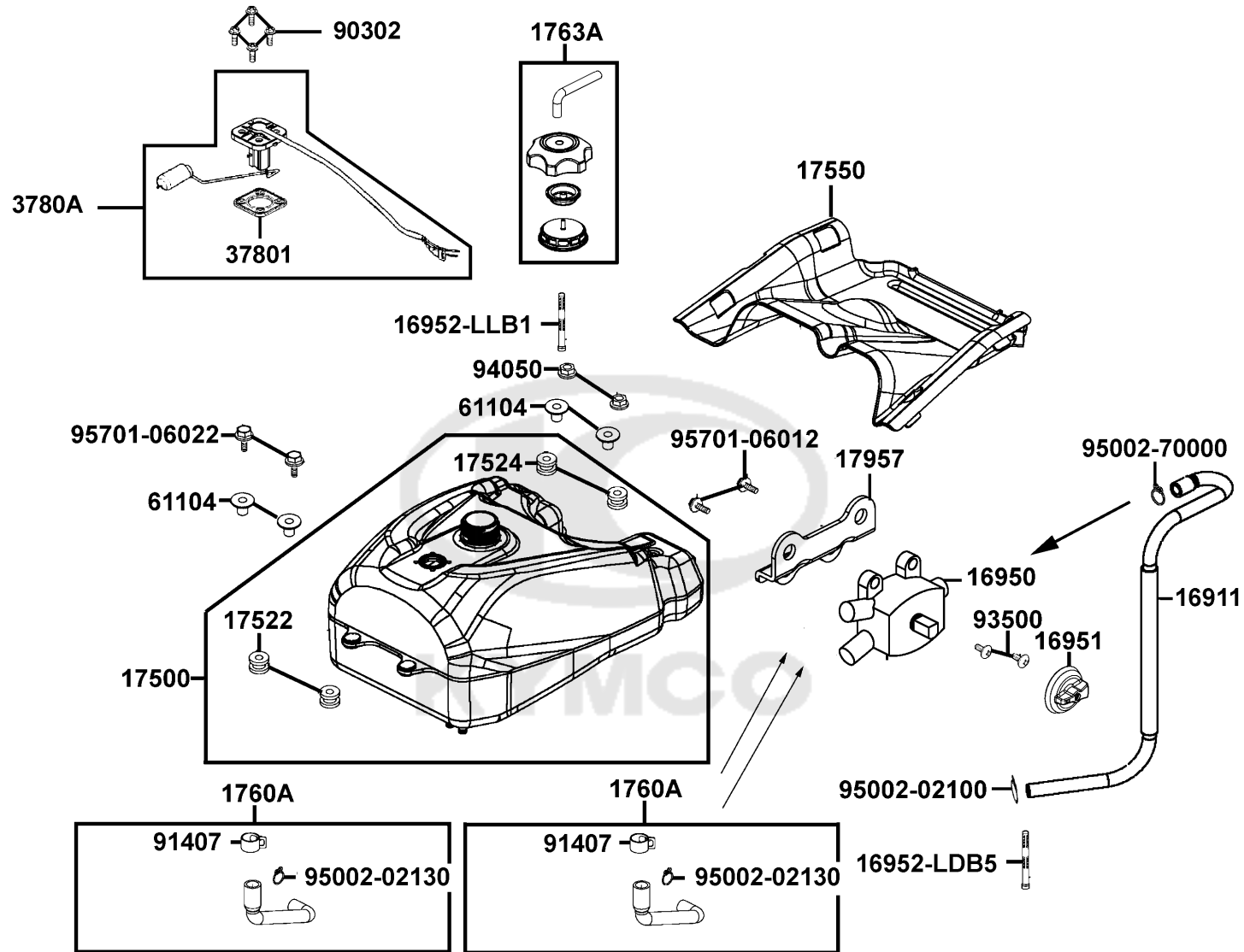


Sales mark	Ref no	Part no	Description	Reg description	Regd no	<b>F09</b>
	42750	42750-LDB1-700	GEAR AIR PRESSURE	GEAR AIR PRESSURE	1	
**	77200	77200-LFE9-E00	SEAT ASSY	SEAT ASSY	1	
	77206-KEB7	77206-KEB7-900	RUBBER SEAT CUSH	RUBBER SEAT CUSH	2	
	77206-LBA7	77206-LBA7-900	RUBBER SEAT CUSH	RUBBER SEAT CUSH	2	
	77301	77301-LDB5-E00	LOCK COMP SEAT	LOCK COMP SEAT	1	
	77303	77303-LDB5-E00	STAY SEAT	STAY SEAT	1	
	77305	77305-LDB5-E00	SPRING HOOK BAR	SPRING HOOK BAR	1	
	89010	89010-LFE9-E00	TOOL SET	TOOL SET	1	
	89020	89020-KKC4-900	BAND TOOL SET	BAND TOOL SET	1	



F10

Fuel Tank

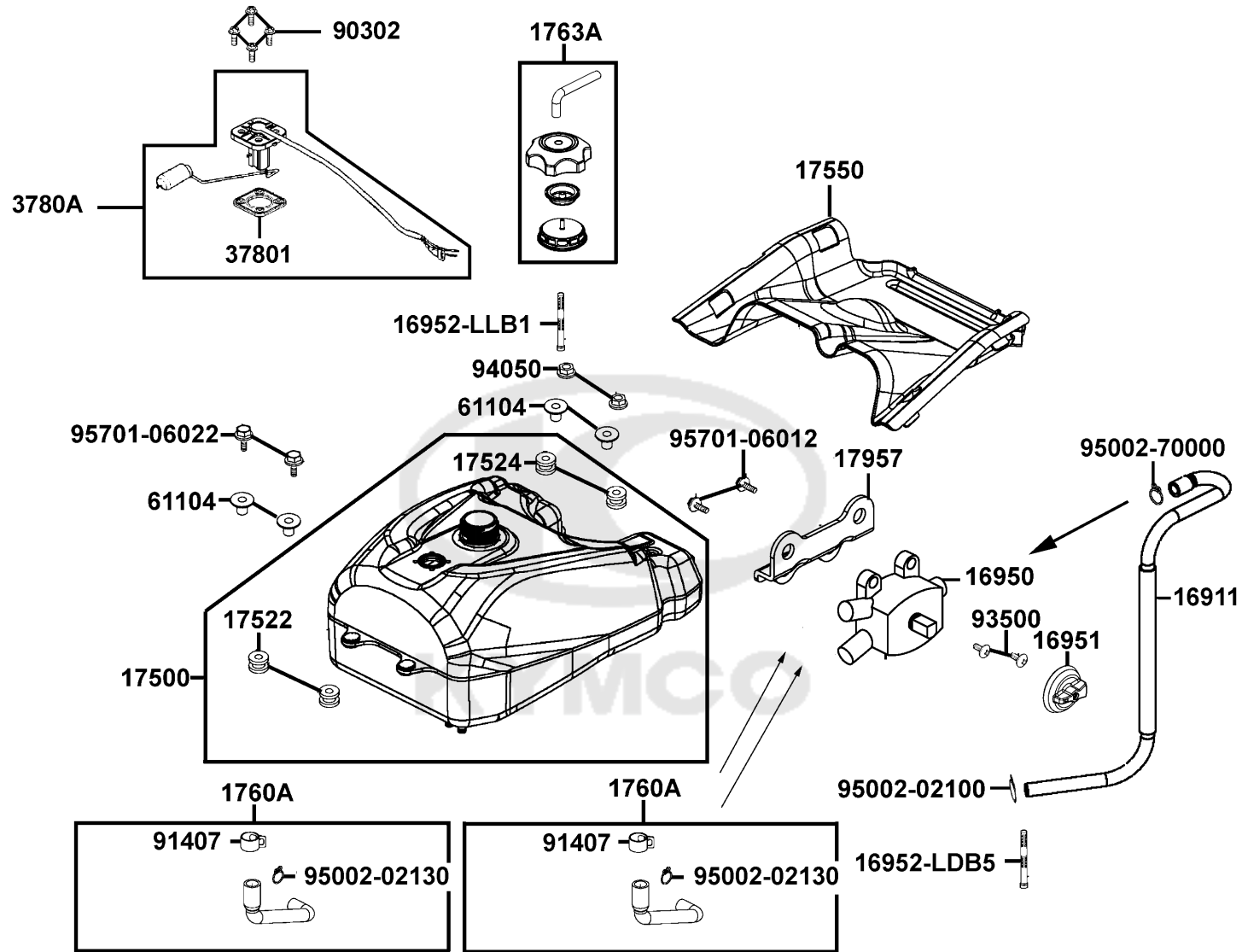


Sales mark	Ref no	Part no	Description	Reg description	Regd no	F10
	16911	16911-LDB5-600	TUBE ASSY FUEL	TUBE ASSY FUEL	1	
#	16950	16950-LDB5-600	COCK FUEL	COCK FUEL	1	
#	16950	16950-LDB5-610	COCK FUEL	COCK FUEL	1	
**	16951	16951-LDB5-E00	COVER FUEL COCK	COVER FUEL COCK	1	
	16952-LDB5	16952-LDB5-600	SCREEN FUEL STRAINER	SCREEN FUEL STRAINER	1	
	16952-LLB1	16952-LLB1-900	SCREEN FUEL STRAINER	SCREEN FUEL STRAINER	1	
	17500	17500-LDB5-E00	TANK COMP FUEL	TANK COMP FUEL	1	
	17522	17522-LLB1-900	RUBBER FUEL TANK	RUBBER FUEL TANK	2	
	17524	17524-LLB1-900	RR RUBBER FUEL TANK	RR RUBBER FUEL TANK	2	
**	17550	17550-LDB5-E00	GUARD FUEL TANK	GUARD FUEL TANK	1	
	1760A	1760A-LDB5-600	TUBE ASSY FUEL TANK	TUBE ASSY FUEL TANK	2	
	1763A	1763A-LDB5-MY0	CAP ASSY FUEL FILLER	CAP ASSY FUEL FILLER	1	
	17957	17957-LDB5-600	STAY FUEL COCK	STAY FUEL COCK	1	
	37801	37801-LAB4-910	PACKING BASE	PACKING BASE	1	
	3780A	3780A-LDB5-E00	FUEL UNIT ASSY	FUEL UNIT ASSY	1	
	61104	61104-3G57-001	COLLAR FR FENDER	COLLAR FR FENDER	4	
	90302	90302-GBR2-001	BOLT WASH 5*16	BOLT WASH 5*16	4	
	91407	91407-SGA7-004	CLAMP 17 FUSE HOSE	CLAMP 17 FUSE HOSE	2	
	93500	93500-05016-0F	SCREW PAN 5*16	SCREW PAN 5*16	1	
	94050	94050-06080	NUT FLANGE 6MM	NUT FLANGE 6MM	2	



F10

Fuel Tank



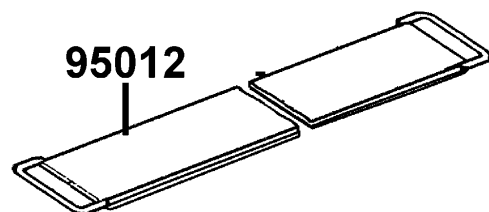
Sales mark	Ref no	Part no	Description	Reg description	Regd no	<b>F10</b>
------------	--------	---------	-------------	-----------------	---------	------------

	95002-02100	95002-02100	CLIP B15 TUBE	CLIP B15 TUBE	1	
	95002-02130	95002-02130	CLIP B12.5 TUBE	CLIP B12.5 TUBE	2	
	95002-70000	95002-70000	CLIP C11 TUBE	CLIP C11 TUBE	1	
#	95701-06012	95701-06012-06	BOLT FLANGE 6*12	BOLT FLANGE 6*12	2	
#	95701-06022	95701-06022-06	BOLT FLANGE 6*22	BOLT FLANGE 6*22	2	

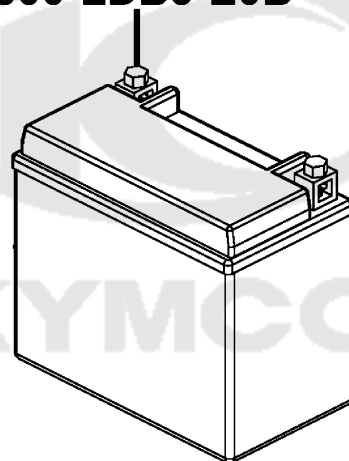


F11

Battery



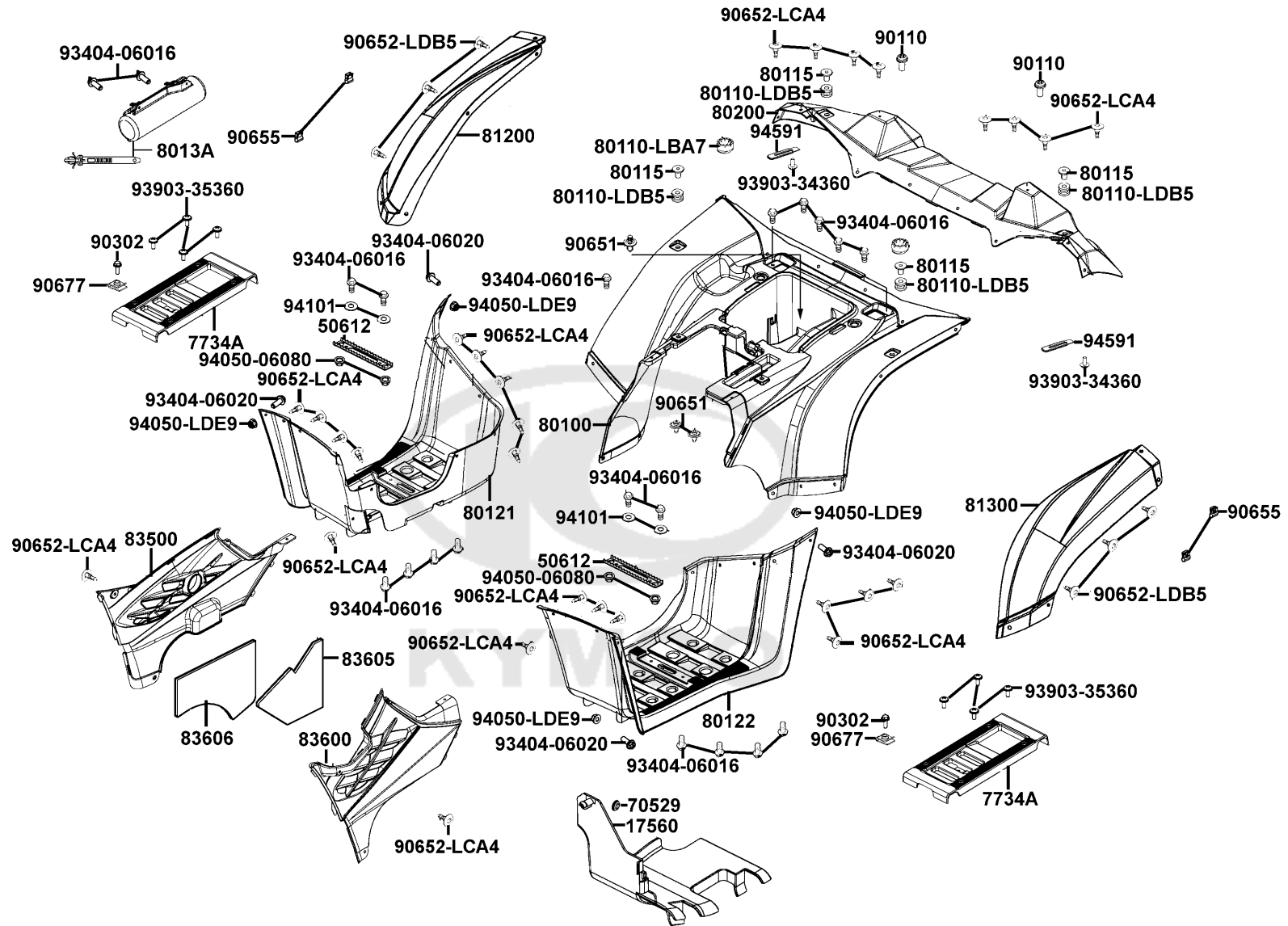
31500-LDB5-E0A  
31500-LDB5-E0B



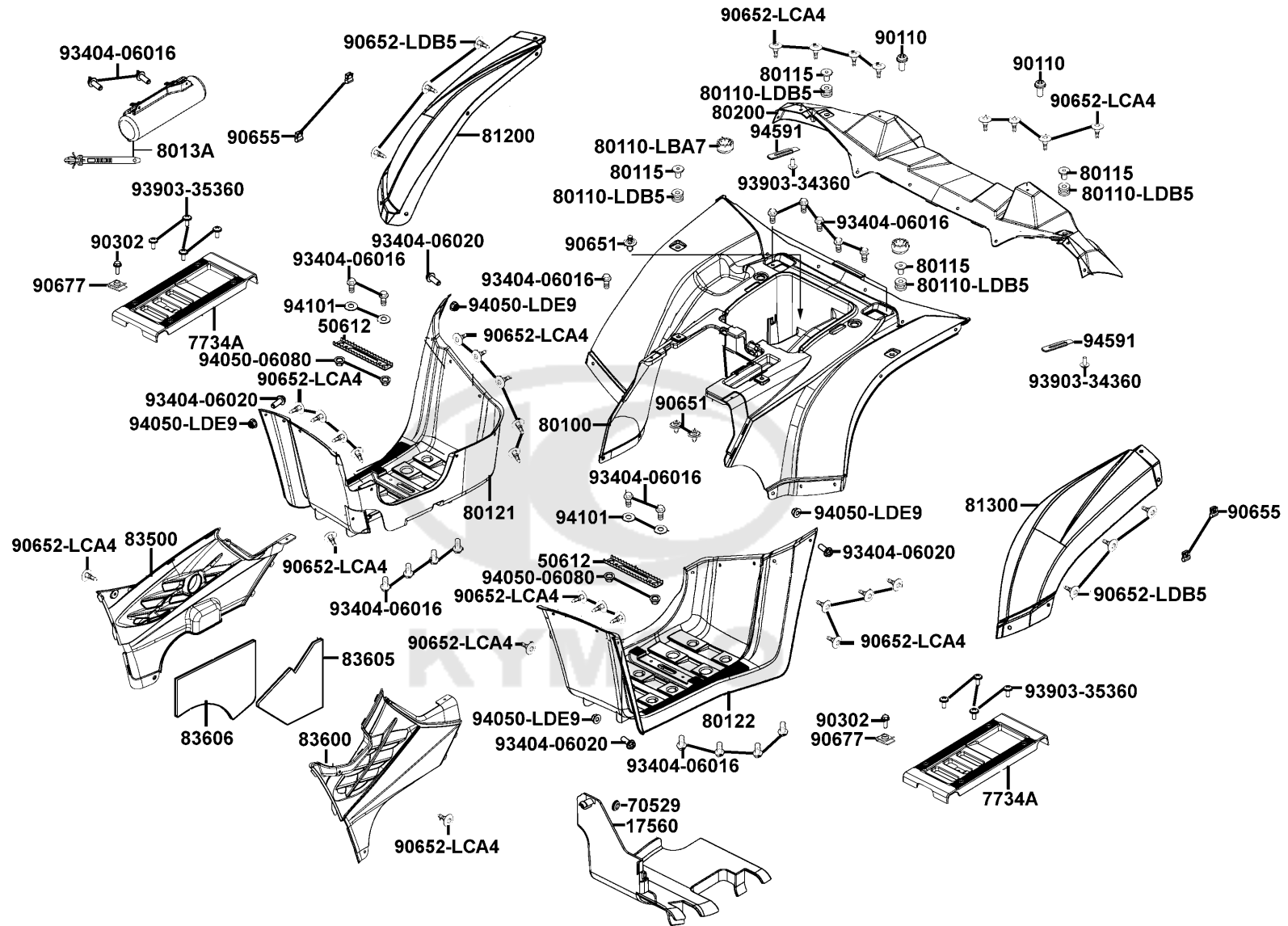
Sales mark	Ref no	Part no	Description	Reg description	Regd no	<b>F11</b>
------------	--------	---------	-------------	-----------------	---------	------------

	31500-LDB5-E0A	31500-LDB5-E0A	BATTERY YTX20L-BS	BATTERY YTX20L-BS	1	
	31500-LDB5-E0B	31500-LDB5-E0B	BATTERY GTX20L-BS	BATTERY GTX20L-BS	1	
	95012	95012-KKA7-900	TOOL BAND	TOOL BAND	1	



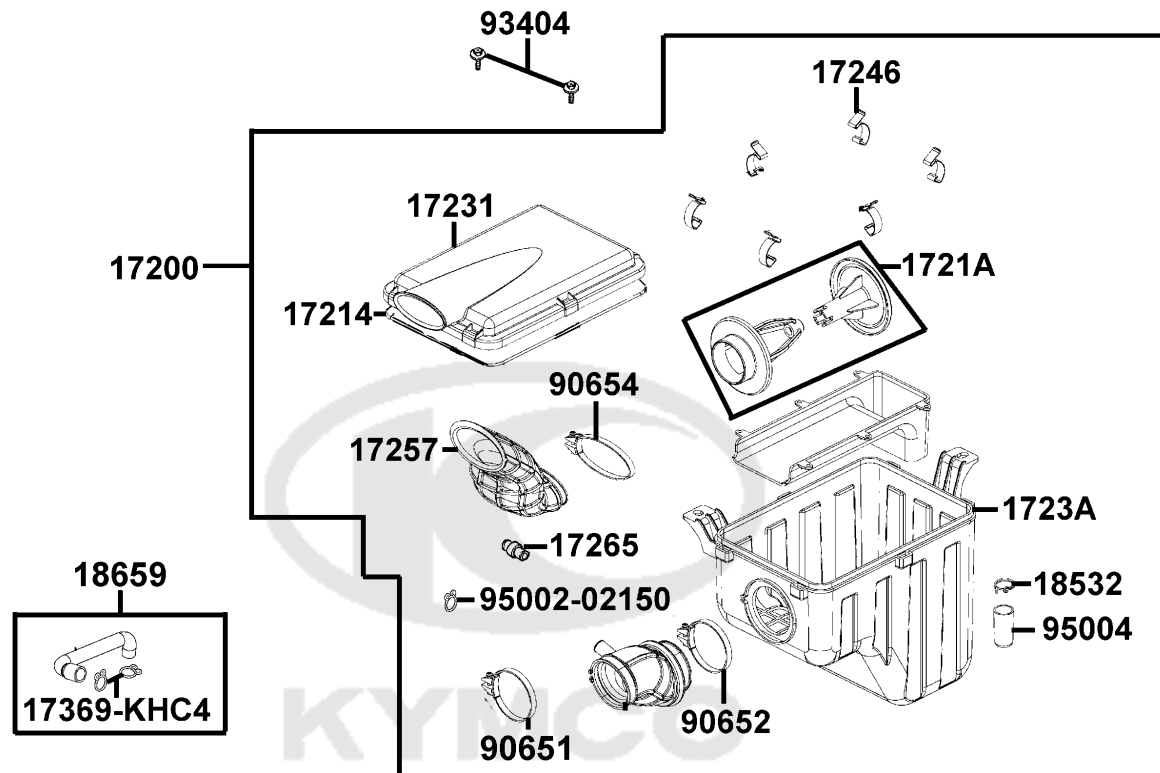


Sales mark	Ref no	Part no	Description	Reg description	Regd no	F12
**	17560	17560-LDB5-600	PLATE HEAT INSULATION	PLATE HEAT INSULATION	1	
	50612	50612-LDB5-E00	RNFCT FLOOR	RNFCT FLOOR	2	
	70529	70529-6G57-671	GROM B SIDE PNL	GROM B SIDE PNL	1	
**	7734A	7734A-LDB5-E01	COVER ASSY CARRIER	COVER ASSY CARRIER	1	
**	80100	80100-LDB5-E00	FENDER REAR	FENDER REAR	1	
	80110-LBA7	80110-LBA7-900	RUBBER REAR FENDER	RUBBER REAR FENDER	2	
	80110-LDB5	80110-LDB5-900	RUBBER FENDER	RUBBER FENDER	4	
	80115	80115-LDB5-900	COLLAR FENDER	COLLAR FENDER	4	
**	80121	80121-LDB5-E01	MUDGUARD R FLOOR	MUDGUARD R FLOOR	1	
**	80122	80122-LDB5-E01	MUDGUARD L FLOOR	MUDGUARD L FLOOR	1	
	8013A	8013A-LFE9-E00	BOX ASSY TOOL	BOX ASSY TOOL	1	
**	80200	80200-LDB5-E01	MUDGUARD REAR	MUDGUARD REAR	1	
**	81200	81200-LDB5-E01	MUDGUARD R RR SIDE	MUDGUARD R RR SIDE	1	
**	81300	81300-LDB5-E01	MUDGUARD L RR SIDE	MUDGUARD L RR SIDE	1	
**	83500	83500-LDB5-E01	COVER R SIDE	COVER R SIDE	1	
**	83600	83600-LDB5-E01	COVER L SIDE	COVER L SIDE	1	
	83605	83605-LDB5-E00	HEAT GUARD R SIDE COVER	HEAT GUARD R SIDE COVER	1	
	83606	83606-LDB5-E00	HEAT GUARD L SIDE COVER	HEAT GUARD L SIDE COVER	1	
	90110	90110-PWB1-900	SCREW SPECIAL 6X20	SCREW SPECIAL 6X20	2	
	90302	90302-PWA1-900	BOLT-WASH 5*16	BOLT-WASH 5*16	2	



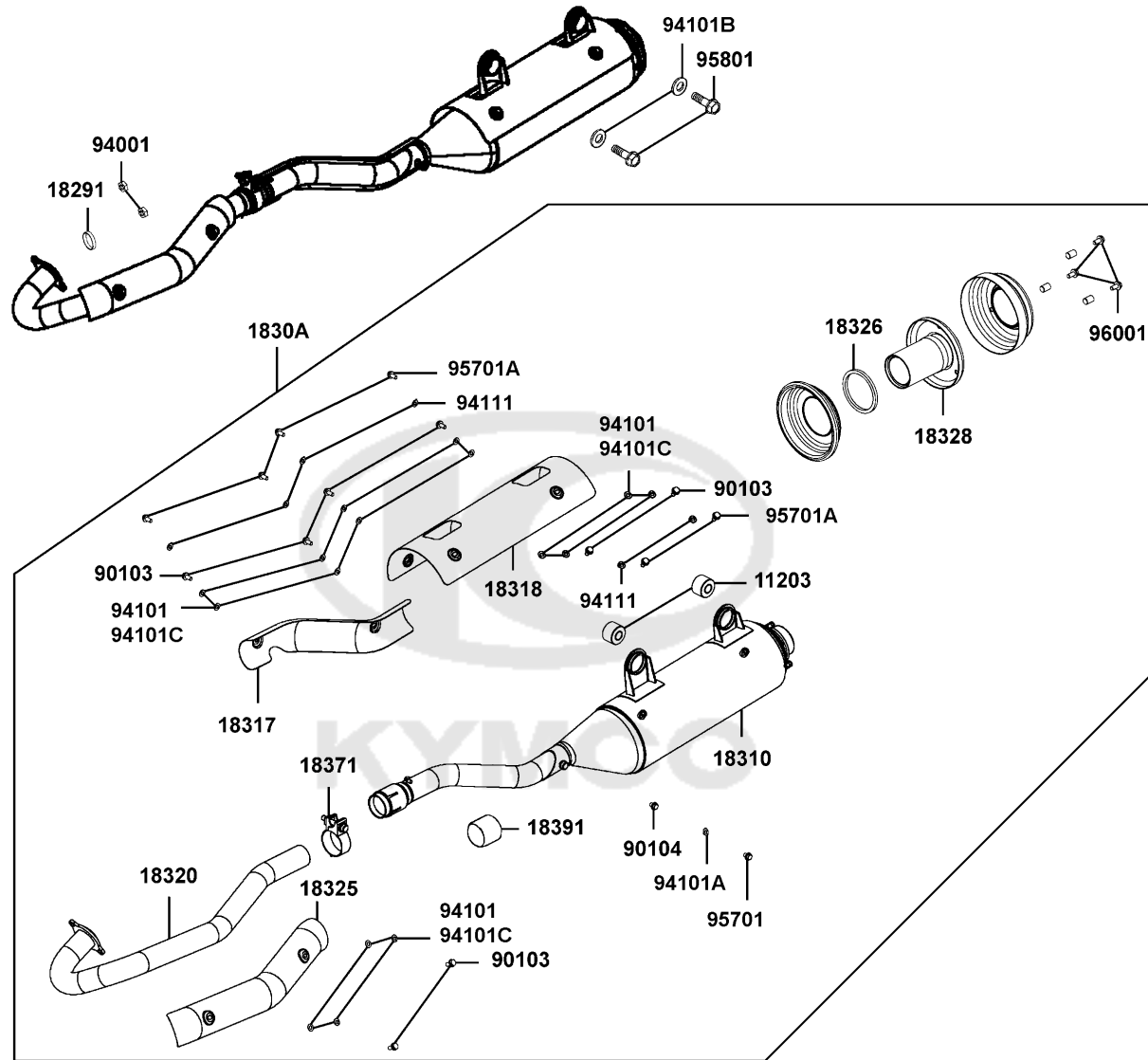
Sales mark	Ref no	Part no	Description	Reg description	Regd no	F12
	90651	90651-LCA5-E00	CLIP FENDER	CLIP FENDER	3	
	90652-LCA4	90652-LCA4-E00	CLIP MUDGUARD	CLIP MUDGUARD	16	
	90652-LDB5	90652-LDB5-900	CLIP MUDGUARD	CLIP MUDGUARD	6	
	90655	90655-PWA2-900	CLIP FENDER MOUNTING	CLIP FENDER MOUNTING	4	
	90677	90677-GAR1-004	NUT CLIP 5MM	NUT CLIP 5MM	2	
	93404-06016	93404-06016-06	BOLT WASHER 6*16	BOLT WASHER 6*16	19	
#	93404-06020	93404-06020-06	BOLT WASHER 6*20 (G)	BOLT WASHER 6*20 (G)	4	
#	93903-34360	93903-34360	SCREW TAPPING 4*12 (G)	SCREW TAPPING 4*12 (G)	2	
#	93903-35360	93903-35360	SCREW TAPPING 5*16	SCREW TAPPING 5*16	8	
	94050-06080	94050-06080	NUT FLANGE 6MM	NUT FLANGE 6MM	4	
	94050-LDE9	94050-LDE9-E00	NUT LOCK	NUT LOCK	4	
	94101	94101-06800	WASHER PLAIN 6MM	WASHER PLAIN 6MM	4	
	94591	94591-27000	CLIP 2*70	CLIP 2*70	2	





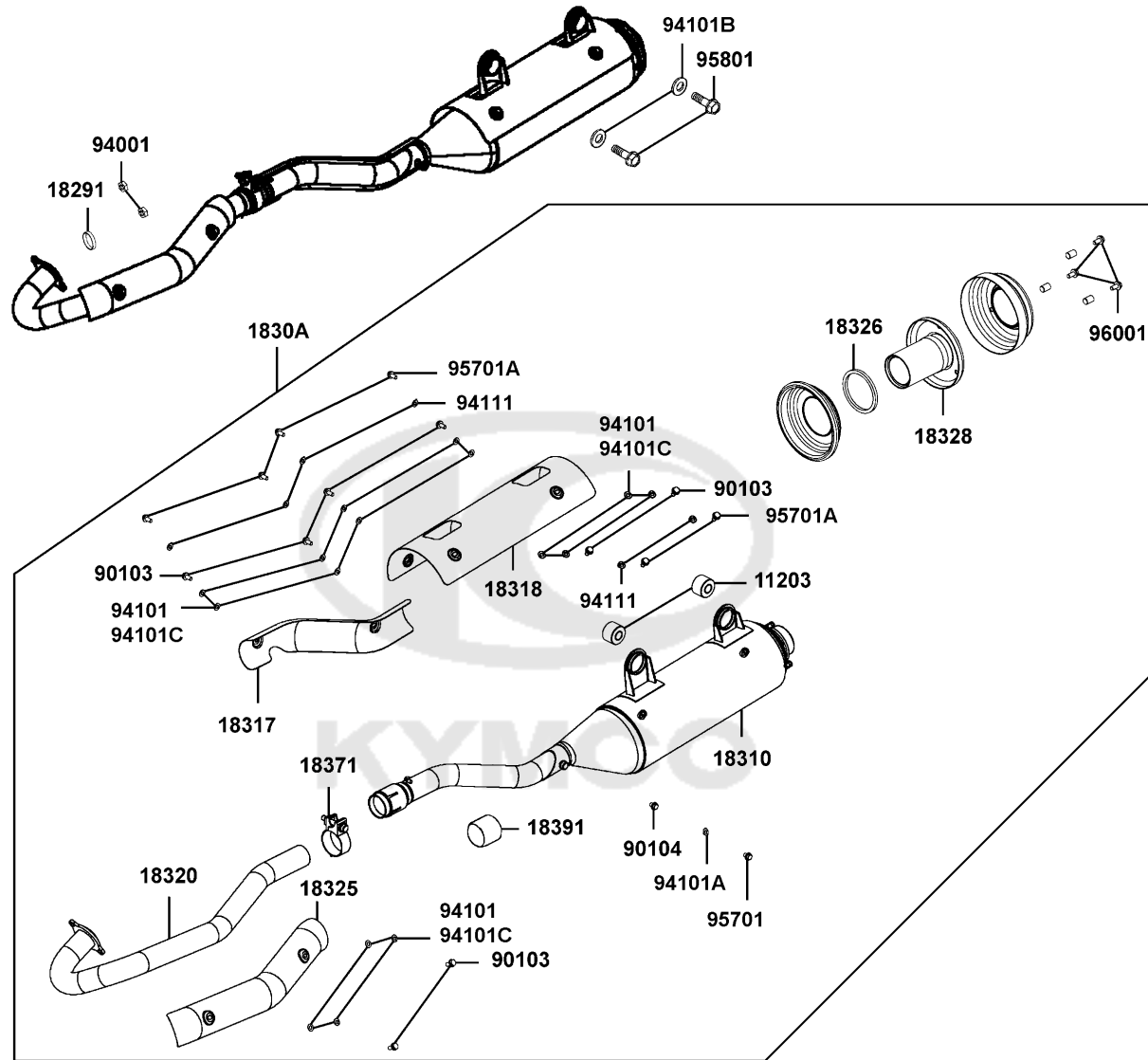
Sales mark	Ref no	Part no	Description	Reg description	Regd no	<b>F13</b>
17200		17200-LFE9-E00	AIR/C ASSY	AIR/C ASSY	1	
17214		17214-LDB5-E00	SEAL AIR/C CASE	SEAL AIR/C CASE	1	
1721A		1721A-LDB5-E00	ELEMENT COMP AIR/C	ELEMENT COMP AIR/C	1	
17231		17231-LDB5-E00	COVER ASSY AIR/C	COVER ASSY AIR/C	1	
1723A		1723A-LFE9-E00	CASE ASSY AIR/C	CASE ASSY AIR/C	1	
17246		17246-LBA7-900	CLAMP AIR/C	CLAMP AIR/C	6	
17257		17257-LDB5-E00	DUCT A AIR/C CASE	DUCT A AIR/C CASE	1	
17265		17265-LBA7-900	JOINT BLOW BY	JOINT BLOW BY	1	
17369-KHC4		17369-KHC4-900	CLIP BREATHER TUBE	CLIP BREATHER TUBE	4	
18532		18532-6D34-671	CLIP AIR HOSE 21.5	CLIP AIR HOSE 21.5	1	
18659		18659-LDB5-E00	TUBE BREATHER	TUBE BREATHER	1	
90651		90651-LFE9-E00	BAND 66	BAND 66	1	
90652		90652-LLJ3-E00	BAND CONNECTING TUBE	BAND CONNECTING TUBE	1	
90654		90654-LDB5-E00	BAND 81 REAR CVT DUCT	BAND 81 REAR CVT DUCT	1	
93404		93404-06012-06	BOLT WASHER 6*12 (G)	BOLT WASHER 6*12 (G)	2	
95002-02150		95002-02150	CLIP B14.5 TUBE	CLIP B14.5 TUBE	1	
95004		95004-LBA7-900	TUBE DRAIN	TUBE DRAIN	1	

Exhaust Muffler



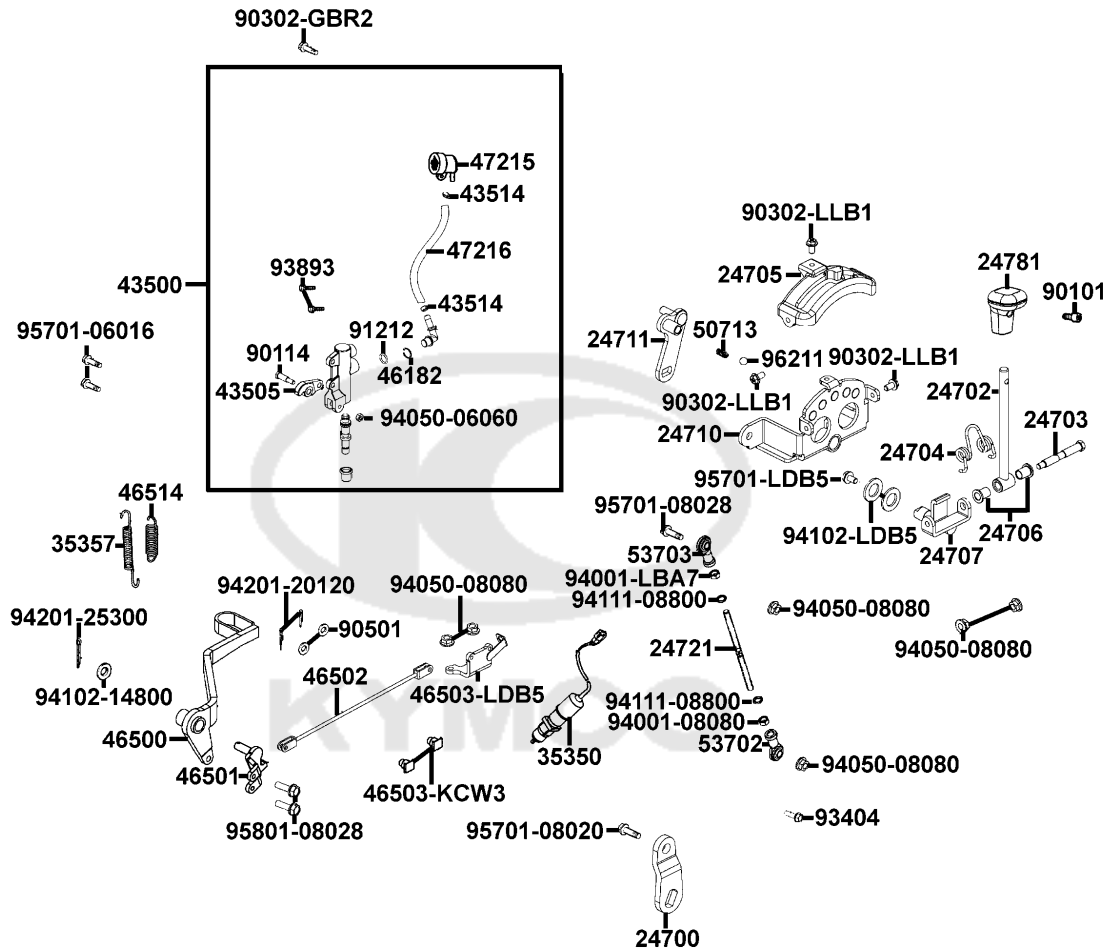
Sales mark	Ref no	Part no	Description	Reg description	Regd no	F14
	11203	11203-LDB5-E00	BUSH MUFFLER STAY	BUSH MUFFLER STAY	2	
	18291	18291-LBA2-E00	GASKET EXH PIPE	GASKET EXH PIPE	1	
	1830A	1830A-LFE9-E00	MUFFLER ASSY EXHAUST	MUFFLER ASSY EXHAUST	1	
	18310	18310-LFE9-E00	MUFFLER COMP	MUFFLER COMP	1	
	18317	18317-LFE9-E00	PROTECTOR A COMP MUFFLER	PROTECTOR A COMP MUFFLER	1	
	18318	18318-LFE9-E00	PROTECTOR B COMP MUFFLER	PROTECTOR B COMP MUFFLER	1	
	18320	18320-LDB5-E00	PIPE EXHAUST	PIPE EXHAUST	1	
	18325	18325-LDB5-E00	PROTECTOR PIPE EXHAUST	PROTECTOR PIPE EXHAUST	1	
	18326	18326-LDB5-E00	GASKET	GASKET	1	
	18328	18328-LDB5-E00	SPARK ARRESTOR	SPARK ARRESTOR	1	
	18371	18371-LBA2-E00	BAND MUFFLER	BAND MUFFLER	1	
	18391	18391-LBA2-E00	GASKET	GASKET	1	
#	90103	90103-LDB5-E00	BOLT. WASHER 6*12	BOLT. WASHER 6*12	8	
#	90104	90104-LDB5-E00	BOLT. WASHER 6*8	BOLT. WASHER 6*8	1	
	94001	94001-08080-0S	NUT HEX 8MM	NUT HEX 8MM	2	
#	94101	94101-06200	WASHER PLAIN 6MM	WASHER PLAIN 6MM	16	
#	94101A	94101-06700	WASHER PLAIN 6MM	WASHER PLAIN 6MM	1	
	94101B	94101-LBA2-E00	WASHER PLATE 10.5*38*3.0	WASHER PLATE 10.5*38*3.0	2	
#	94101C	94101-LDB5-E00	WASHER. PLAIN. 6mm	WASHER. PLAIN. 6mm	16	
#	94111	94111-06800	WASHER SPRING 6MM	WASHER SPRING 6MM	8	

Exhaust Muffler



Sales mark	Ref no	Part no	Description	Reg description	Regd no	<b>F14</b>
#	95701	95701-06008-06	BOLT FLANGE 6*8	BOLT FLANGE 6*8	1	
#	95701A	95701-06012-06	BOLT FLANGE 6*12	BOLT FLANGE 6*12	8	
#	95801	95801-10040-06	BOLT FLANGE 10*40	BOLT FLANGE 10*40	2	
#	96001	96001-06012-06	BOLT FLANGE SH 6*12	BOLT FLANGE SH 6*12	3	

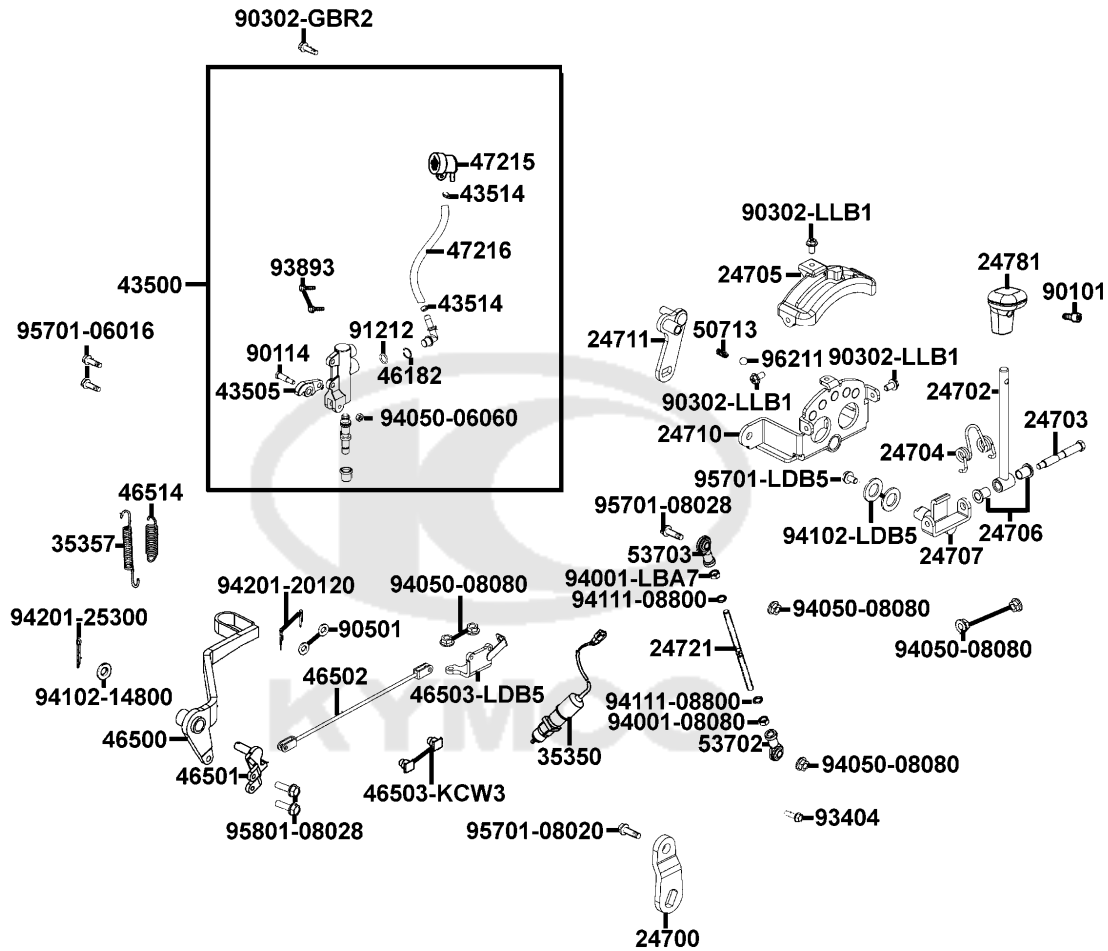




Sales mark	Ref no	Part no	Description	Reg description	Regd no	F15
24700		24700-LFE9-E00	STAY SHIFT GUIDE	STAY SHIFT GUIDE	1	
24702		24702-LDB5-E00	BAR SHIFT LEVER	BAR SHIFT LEVER	1	
24703		24703-LDB5-E00	BOLT SHIFT LEVER	BOLT SHIFT LEVER	1	
24704		24704-LBA7-900	SPRING CHANGE HANDLE	SPRING CHANGE HANDLE	1	
24705		24705-LDB5-E00	STAY SHIFT LEVER GUIDE	STAY SHIFT LEVER GUIDE	1	
24706		24706-LDB5-E00	COLLAR SHIFT LEVER	COLLAR SHIFT LEVER	2	
24707		24707-LDB5-E00	BRKT SHIFT LEVER	BRKT SHIFT LEVER	1	
24710		24710-LDB5-E00	STAY SHIFTER	STAY SHIFTER	1	
24711		24711-LDB5-E00	SHAFT UPPER SHIFT GUIDE	SHAFT UPPER SHIFT GUIDE	1	
24721		24721-LDB5-E00	ROD SHIFT	ROD SHIFT	1	
24781		24781-LCA5-E00	COVER CHANGE HNDL	COVER CHANGE HNDL	1	
35350		35350-PWA2-900	REAR STOP SW	REAR STOP SW	1	
35357		35357-LDB5-E00	SPG STOP SW	SPG STOP SW	1	
43500		43500-LFE9-E01	MASTER CYLINDER ASSY FOOT	MASTER CYLINDER ASSY FOOT	1	
43505		43505-LDB5-E00	PUSH ROD COMP	PUSH ROD COMP	1	
43514		43514-4E45-77A	CLAMP M/C OIL HOSE	CLAMP M/C OIL HOSE	2	
46182		46182-5L00-014	CIR CLIP	CIR CLIP	1	
46500		46500-LFE9-E00	PEDAL COMP RR BRAKE	PEDAL COMP RR BRAKE	1	
46501		46501-LFE9-E00	BRKT BRAKE PEDAL	BRKT BRAKE PEDAL	1	
46502		46502-LDB5-E00	ROD RR BRK	ROD RR BRK	1	

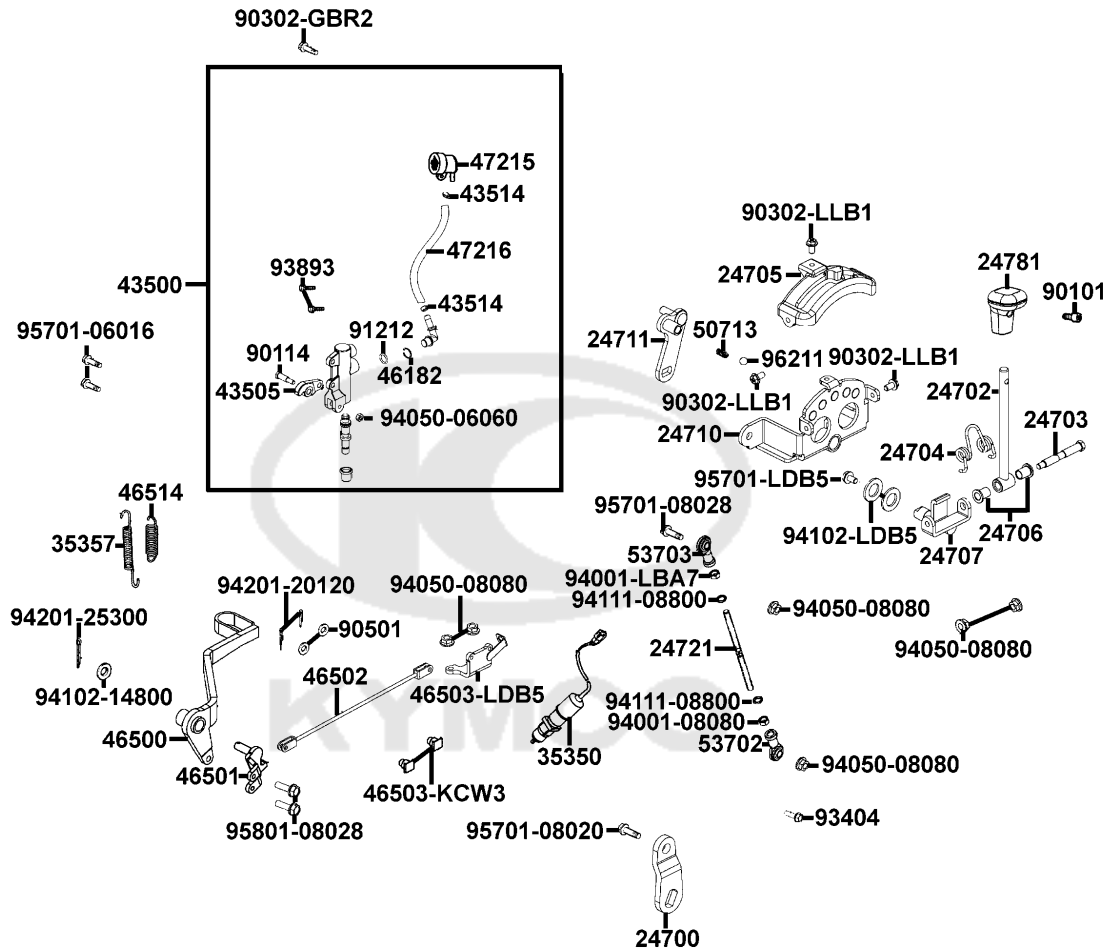


Master Cylinder Rear

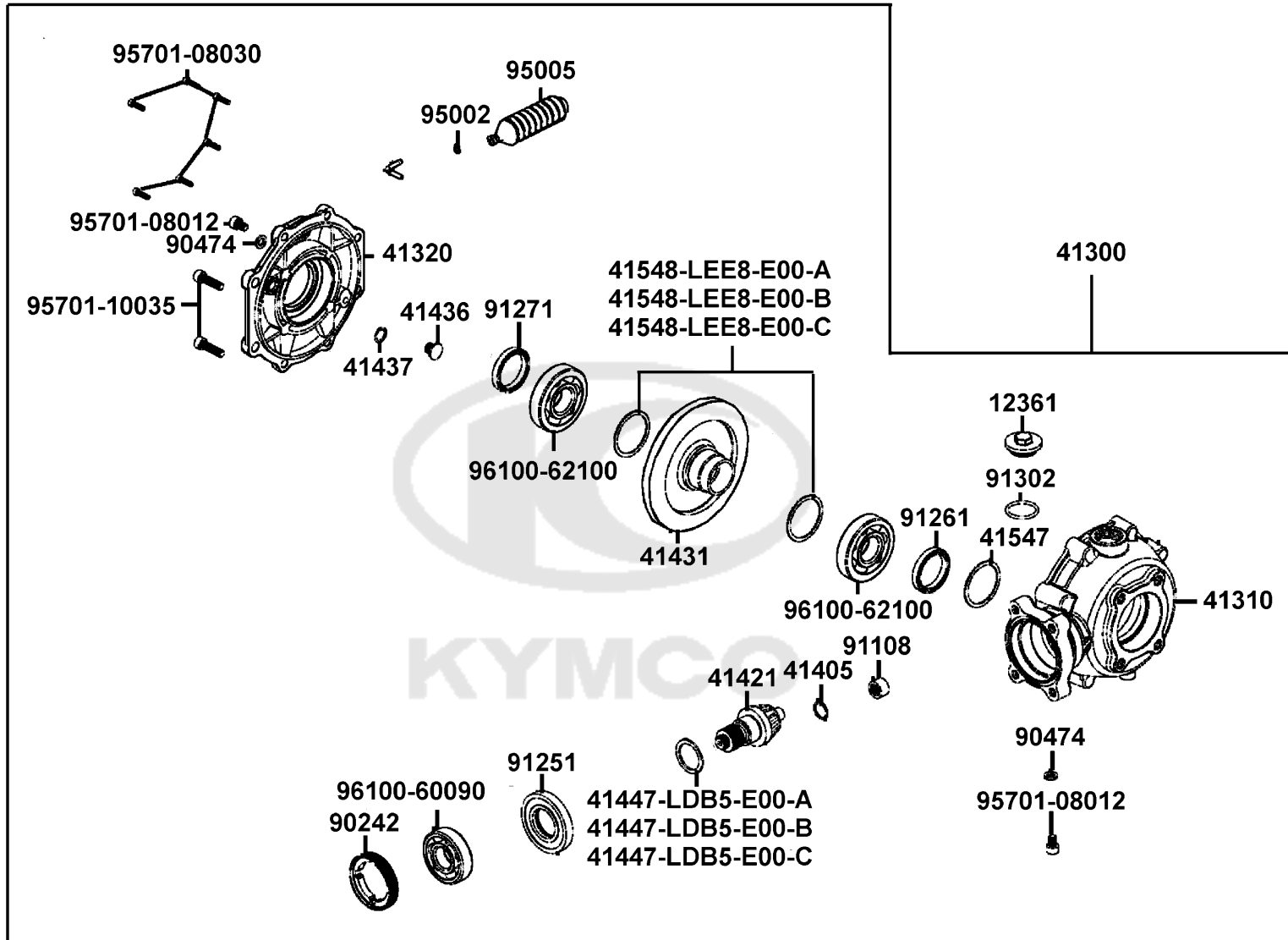


Sales mark	Ref no	Part no	Description	Reg description	Regd no	F15
	46503-KCW3	46503-KCW3-001	PIN COMP BRK ROD	PIN COMP BRK ROD	2	
	46503-LDB5	46503-LDB5-E00	BRKT RR M/C	BRKT RR M/C	1	
	46514	46514-LDB5-E00	SPG BRK ARM	SPG BRK ARM	1	
	47215	47215-KHD6-900	OIL CUP	OIL CUP	1	
	47216	47216-LFE9-900	HOSE	HOSE	1	
	50713	50713-LDB5-E00	SPRING	SPRING	1	
	53702	53702-LBA7-900	JOINT R BALL	JOINT R BALL	1	
	53703	53703-LBA7-900	JOINT L BALL	JOINT L BALL	1	
	90101	90101-LCA5-E00-06	SOCKET BOLT 5*12	SOCKET BOLT 5*12	1	
	90114	90114-1F66-007	BOLT HANDLE LEVER	BOLT HANDLE LEVER	1	
	90302-GBR2	90302-GBR2-001	BOLT WASH 5*16	BOLT WASH 5*16	1	
	90302-LLB1	90302-LLB1-E00-06	BOLT-WASH 5*12	BOLT-WASH 5*12	3	
	90501	90501-3L10-001	WASHER 7*12	WASHER 7*12	2	
	91212	91212-4B22-007	O-RING 14.8*2.4	O-RING 14.8*2.4	1	
	93404	93404-06012-06	BOLT WASHER 6*12 (G)	BOLT WASHER 6*12 (G)	1	
	93893	93893-04012-18	SCREW WASHER 4*12	SCREW WASHER 4*12	2	
	94001-08080	94001-08080-0S	NUT HEX 8MM	NUT HEX 8MM	1	
	94001-LBA7	94001-LBA7-900	NUT HEX LH 8MM	NUT HEX LH 8MM	1	
#	94050-06060	94050-06060	NUT FLANGE 6MM	NUT FLANGE 6MM	1	
	94050-08080	94050-08080	NUT FLANGE 8MM	NUT FLANGE 8MM	6	

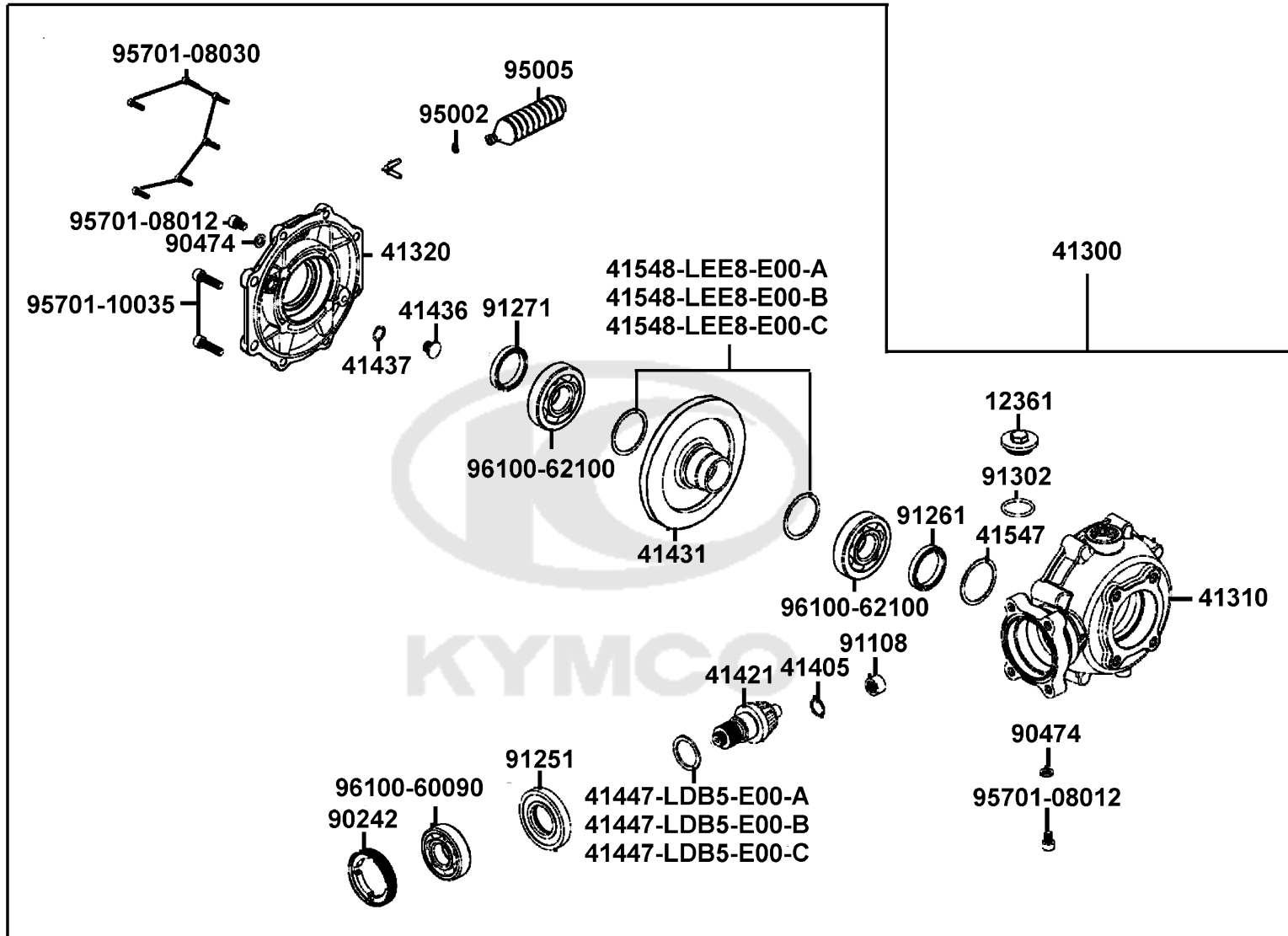
Master Cylinder Rear



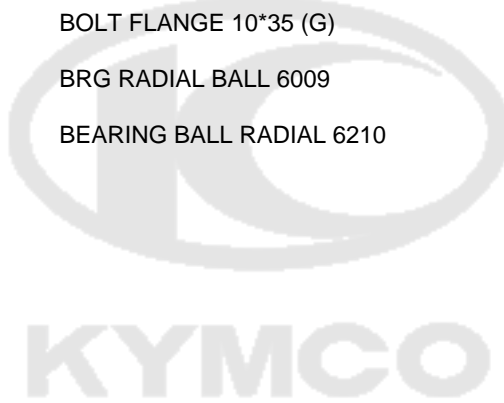
Sales mark	Ref no	Part no	Description	Reg description	Regd no	F15
	94102-14800	94102-14800	WASHER PLAIN 14*26*2.3	WASHER PLAIN 14*26*2.3	1	
	94102-LDB5	94102-LDB5-E00	WASHER PLAIN 14MM	WASHER PLAIN 14MM	2	
	94111-08800	94111-08800	WASHER SPG 8MM	WASHER SPG 8MM	2	
	94201-20120	94201-20120	PIN SPLIT 2*12	PIN SPLIT 2*12	2	
	94201-25300	94201-25300	PIN SPLIT 2.5*30	PIN SPLIT 2.5*30	1	
#	95701-06016	95701-06016-06	BOLT FLANGE 6*16 (K)	BOLT FLANGE 6*16 (K)	2	
	95701-08020	95701-08020-06	BOLT FLANGE 8*20	BOLT FLANGE 8*20	1	
	95701-08028	95701-08028-06	BOLT FLANGE 8*28	BOLT FLANGE 8*28	1	
	95701-LDB5	95701-LDB5-E00	BOLT FLANGE 6*16	BOLT FLANGE 6*16	1	
	95801-08028	95801-08028-06	BOLT FLANGE 8*28	BOLT FLANGE 8*28	2	
	96211	96211-08000	BALL STEEL #8	BALL STEEL #8	1	



Sales mark	Ref no	Part no	Description	Reg description	Regd no	F16
	12361	12361-GFY6-901	HOLE CAP TAPPET ADJUSTING	HOLE CAP TAPPET ADJUSTING	1	
	41300	41300-LFE9-E00	GEAR ASSY RR FINAL	GEAR ASSY RR FINAL	1	
	41310	41310-LFE9-E00	L SIDE CASE RR FINAL	L SIDE CASE RR FINAL	1	
	41320	41320-LFE9-E00	R SIDE CASE RR FINAL	R SIDE CASE RR FINAL	1	
	41405	41405-LEE8-E00	RING STOPPER	RING STOPPER	1	
	41421	41421-LEE8-E00	GEAR PINION	GEAR PINION	1	
	41431	41431-LEE8-E00	GEAR RING	GEAR RING	1	
	41436	41436-LCD9-E00	PIN RING GEAR STOPPER	PIN RING GEAR STOPPER	1	
	41437	41437-LCD9-E00	SHIM STOPPER PIN	SHIM STOPPER PIN	1	
	41447-LDB5-E00-A	41447-LDB5-E00-A	SHIM PINION GEAR A	SHIM PINION GEAR A	1	
	41447-LDB5-E00-B	41447-LDB5-E00-B	SHIM PINION GEAR B	SHIM PINION GEAR B	1	
	41447-LDB5-E00-C	41447-LDB5-E00-C	SHIM PINION GEAR C	SHIM PINION GEAR C	1	
	41547	41547-LEE8-E00	C-RING-R90	C-RING-R90	1	
	41548-LEE8-E00-A	41548-LEE8-E00-A	SHIM B RING GEAR	SHIM B RING GEAR	2	
	41548-LEE8-E00-B	41548-LEE8-E00-B	SHIM B RING GEAR	SHIM B RING GEAR	2	
	41548-LEE8-E00-C	41548-LEE8-E00-C	SHIM B RING GEAR	SHIM B RING GEAR	2	
	90242	90242-LDB5-E00	NUT LOCK 74MM	NUT LOCK 74MM	1	
	90474	90474-3C33-001	WASHER 8MM	WASHER 8MM	2	
	91108	91108-LEE8-E00	BRG NEEDLE 20*22*28 (HK2220)	BRG NEEDLE 20*22*28 (HK2220)	1	
	91251	91251-LEE8-E00	OIL SEAL 38.5*80*10	OIL SEAL 38.5*80*10	1	



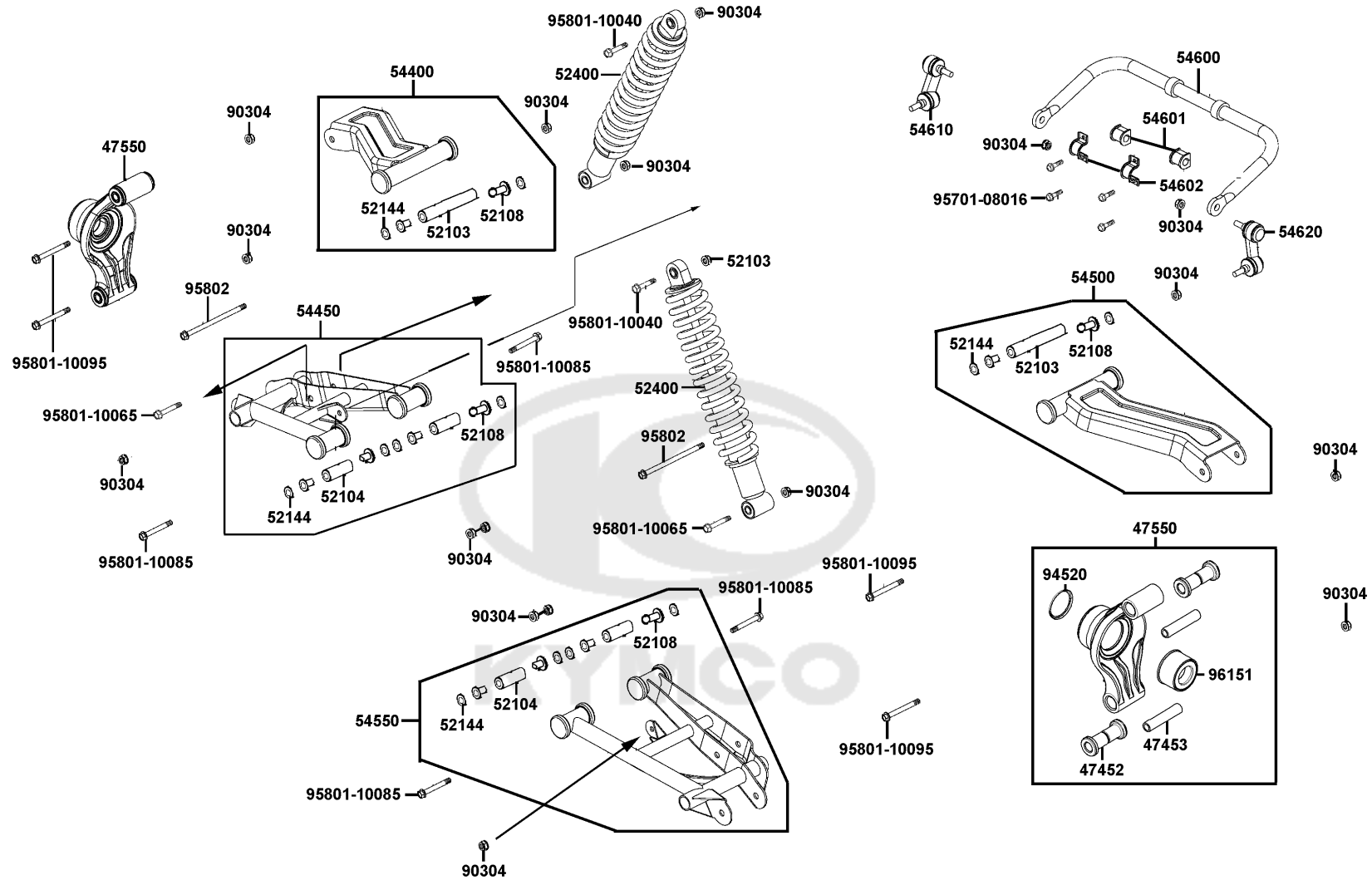
Sales mark	Ref no	Part no	Description	Reg description	Regd no	<b>F16</b>
	91261	91261-LEE8-E00	OIL SEAL 48*92*10	OIL SEAL 48*92*10	1	
	91271	91271-LEE8-E00	OIL SEAL 47*68*10	OIL SEAL 47*68*10	1	
	91302	91302-0A01-021	O-RING 30.8M/M	O-RING 30.8M/M	1	
	95002	95002-41050-00	CLIP D10.5 TUBE	CLIP D10.5 TUBE	1	
	95005	95005-PWB1-900	BREATH TUBE RR GEAR ASSY	BREATH TUBE RR GEAR ASSY	1	
#	95701-08012	95701-08012-06	BOLT FLANGE 8*12	BOLT FLANGE 8*12	1	
#	95701-08030	95701-08030-06	BOLT FLANGE 8X30	BOLT FLANGE 8X30	1	
#	95701-10035	95701-10035-06	BOLT FLANGE 10*35 (G)	BOLT FLANGE 10*35 (G)	1	
	96100-60090	96100-60090-00	BRG RADIAL BALL 6009	BRG RADIAL BALL 6009	1	
	96100-62100	96100-62100-00	BEARING BALL RADIAL 6210	BEARING BALL RADIAL 6210	2	





F17

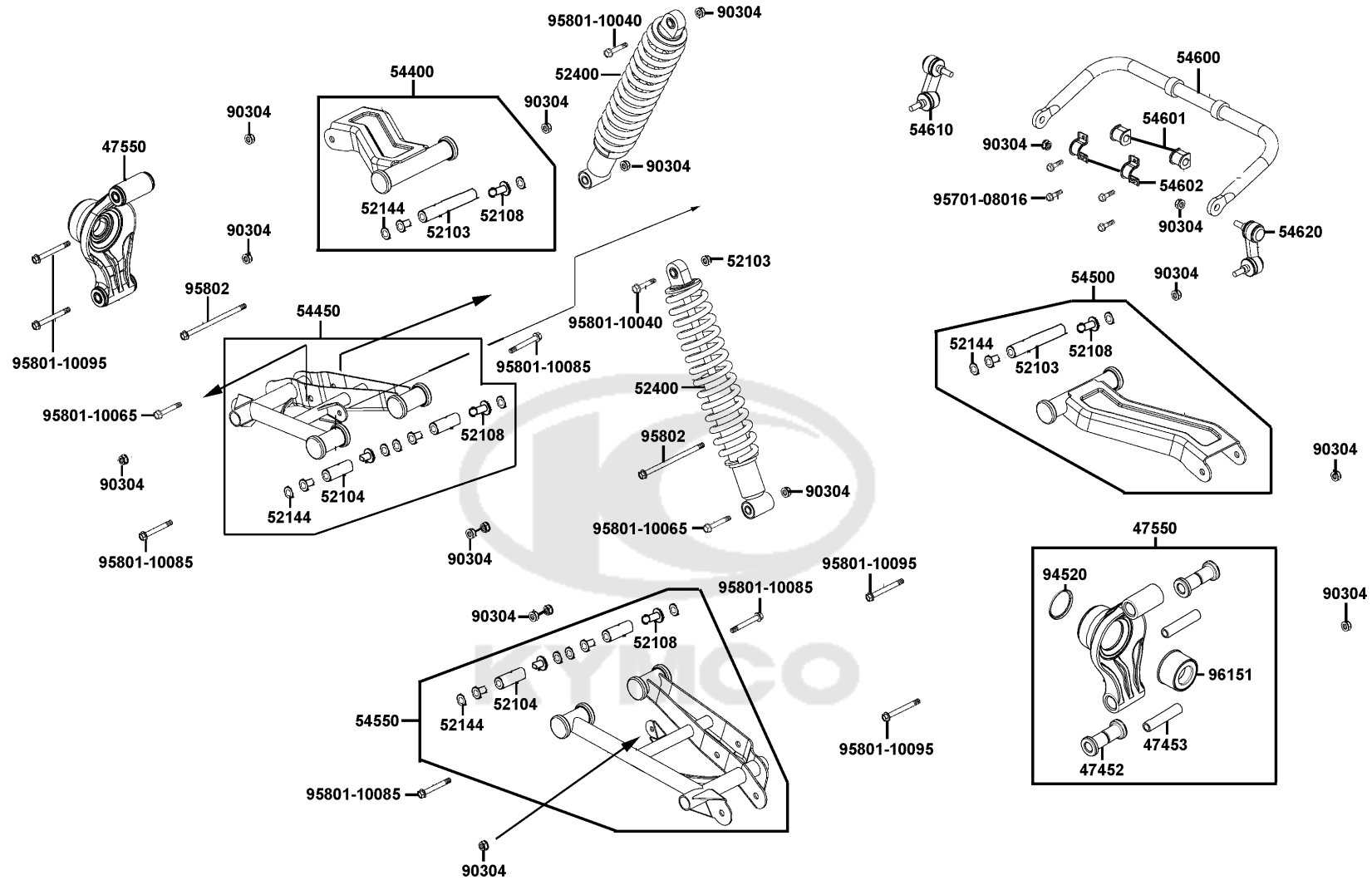
# Cushion Assy RrControl Arm Assy Rr



Sales mark	Ref no	Part no	Description	Reg description	Regd no	F17
	47452	47452-PWB1-900	BUSHING RR SUSPENSION	BUSHING RR SUSPENSION	8	
	47453	47453-PWB1-900	COLLAR SUSPENSION	COLLAR SUSPENSION	4	
	47550	47550-PWB1-900	KNUCKLE REAR ASSEMBLY LH	KNUCKLE REAR ASSEMBLY LH	2	
	52103	52103-PWB1-900	SLEEVE SUSPENSION	SLEEVE SUSPENSION	2	
	52104	52104-PWB1-900	SLEEVE SUSPENSION	SLEEVE SUSPENSION	2	
	52108	52108-PWB1-900	BUSHING SUSPENSION	BUSHING SUSPENSION	12	
	52144	52144-PWB1-900	SEAL SUSPENSION	SEAL SUSPENSION	12	
**	52400	52400-LFE9-E00	CUSHION ASSY RR	CUSHION ASSY RR	2	
**	54400	54400-LFE9-E00	CONTROL ARM ASSY LOWER RH	CONTROL ARM ASSY LOWER RH	1	
**	54450	54450-LFE9-E00	CONTROL ARM ASSY LOWER RH	CONTROL ARM ASSY LOWER RH	1	
**	54500	54500-LFE9-E00	CONTROL ARM ASSY UPPER LH	CONTROL ARM ASSY UPPER LH	1	
**	54550	54550-LFE9-E00	CONTROL ARM ASSY LOWER LH	CONTROL ARM ASSY LOWER LH	1	
	54600	54600-LFE9-E00	BAR STABILIZER	BAR STABILIZER	1	
	54601	54601-LFE9-E00	BUSH STABILIZER	BUSH STABILIZER	2	
	54602	54602-LFE9-E00	HOLDER STABILIZER	HOLDER STABILIZER	2	
	54610	54610-LFE9-E00	JOINT STABILIZER RH	JOINT STABILIZER RH	1	
	54620	54620-LFE9-E00	STABILIZER JOINT LH	STABILIZER JOINT LH	1	
	90304	90304-GHE8-004	NUT U 10MM	NUT U 10MM	18	
	94520	94520-55000	CIR CLIP IN 55	CIR CLIP IN 55	2	
	95701	95701-08016-06	BOLT FLANGE 8*16	BOLT FLANGE 8*16	4	

F17

# Cushion Assy RrControl Arm Assy Rr

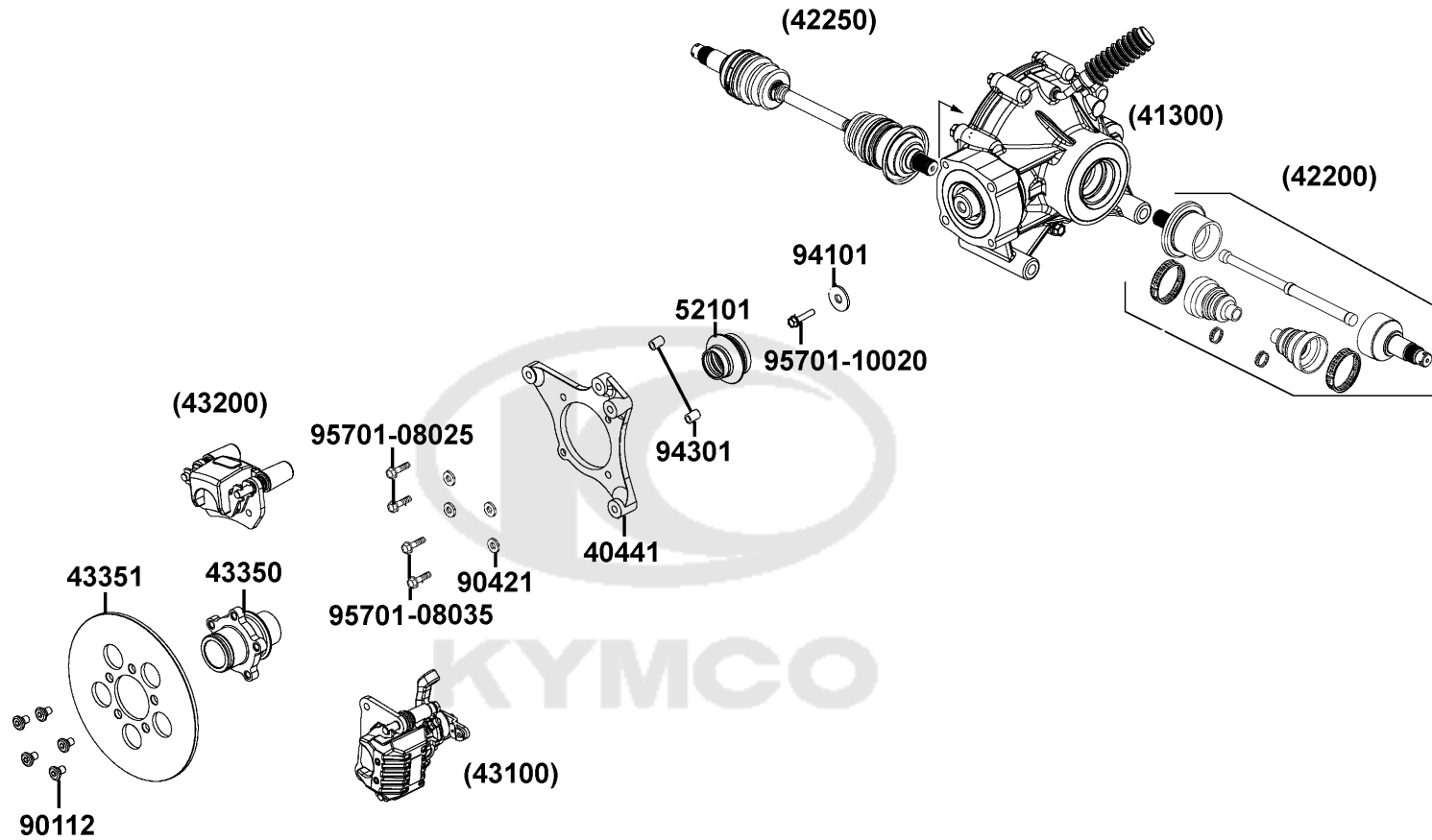


Sales mark	Ref no	Part no	Description	Reg description	Regd no	<b>F17</b>
#	95801-10040	95801-10040-06	BOLT FLANGE 10*40	BOLT FLANGE 10*40	1	
#	95801-10065	95801-10065-06	BOLT FLANGE 10*65	BOLT FLANGE 10*65	1	
	95801-10085	95801-10085-06	BOLT FLANGE 10*85	BOLT FLANGE 10*85	4	
	95801-10095	95801-10095-06	BOLT FLANGE 10*95	BOLT FLANGE 10*95	4	
	95802	95802-PWB1-900	SCREW CAP-HFH M10X1.25X180	SCREW CAP-HFH M10X1.25X180	2	
	96151	96151-PWB1-900	BEARING WHEEL	BEARING WHEEL	2	

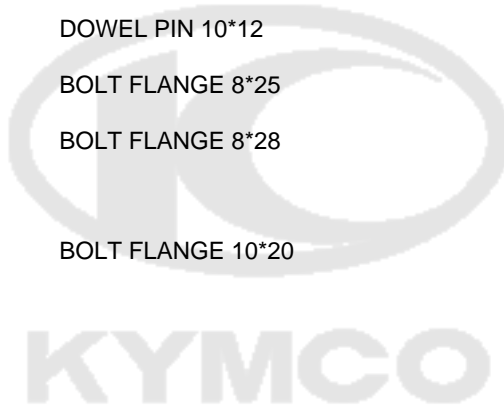


F18

Disk Assy Rr Brk

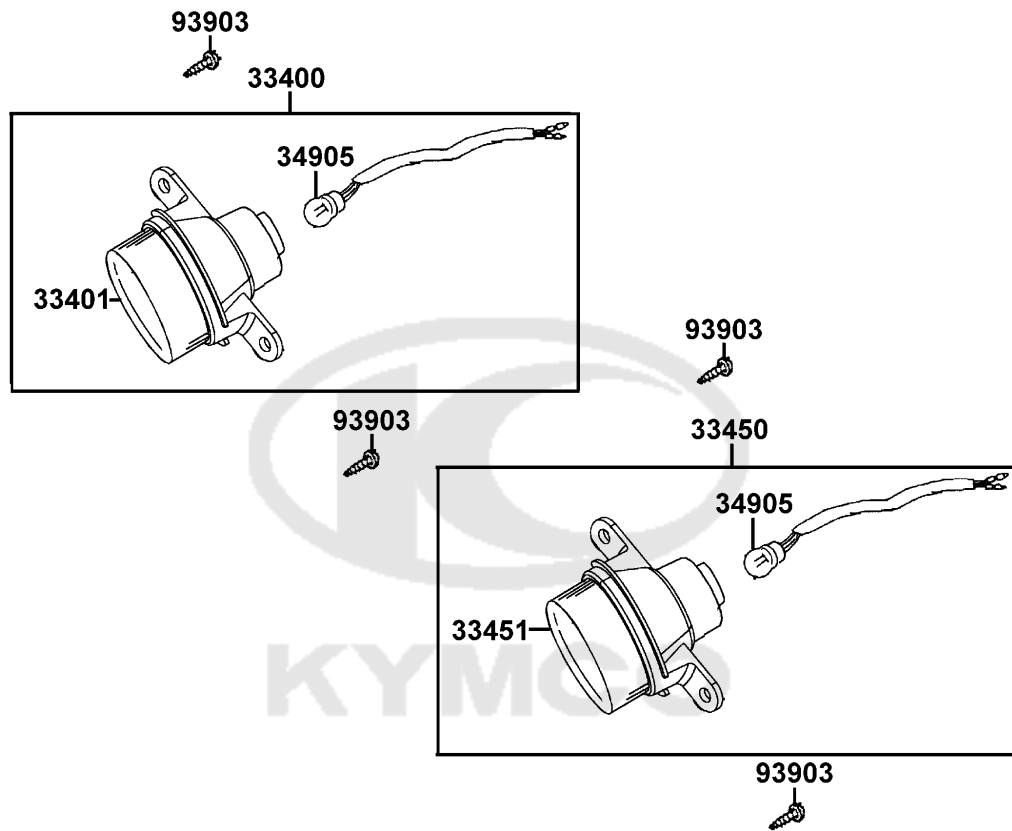


Sales mark	Ref no	Part no	Description	Reg description	Regd no	<b>F18</b>
	40441	40441-LFE9-E00	BRACKET CALIPER	BRACKET CALIPER	1	
	43350	43350-LFE9-E00	HOLDER DISK RR BRK	HOLDER DISK RR BRK	1	
	43351	43351-LEE8-E00	DISK RR BRK	DISK RR BRK	1	
	52101	52101-LFE9-E00	BOOT RR PROPELLER SHAFT	BOOT RR PROPELLER SHAFT	1	
	90112	90112-LBD4-800	BOLT DISK	BOLT DISK	5	
	90421	90421-KAM1-004	WASHER SEALING 8*16*1.6	WASHER SEALING 8*16*1.6	4	
	94101	94101-10800	WASHER PLAIN 10MM	WASHER PLAIN 10MM	1	
	94301	94301-10120	DOWEL PIN 10*12	DOWEL PIN 10*12	2	
	95701-08025	95701-08025-06	BOLT FLANGE 8*25	BOLT FLANGE 8*25	2	
#	95701-08035	95701-08035-06	BOLT FLANGE 8*28	BOLT FLANGE 8*28	2	
	95701-10020	95701-10020-06	BOLT FLANGE 10*20	BOLT FLANGE 10*20	1	



F19

Winker



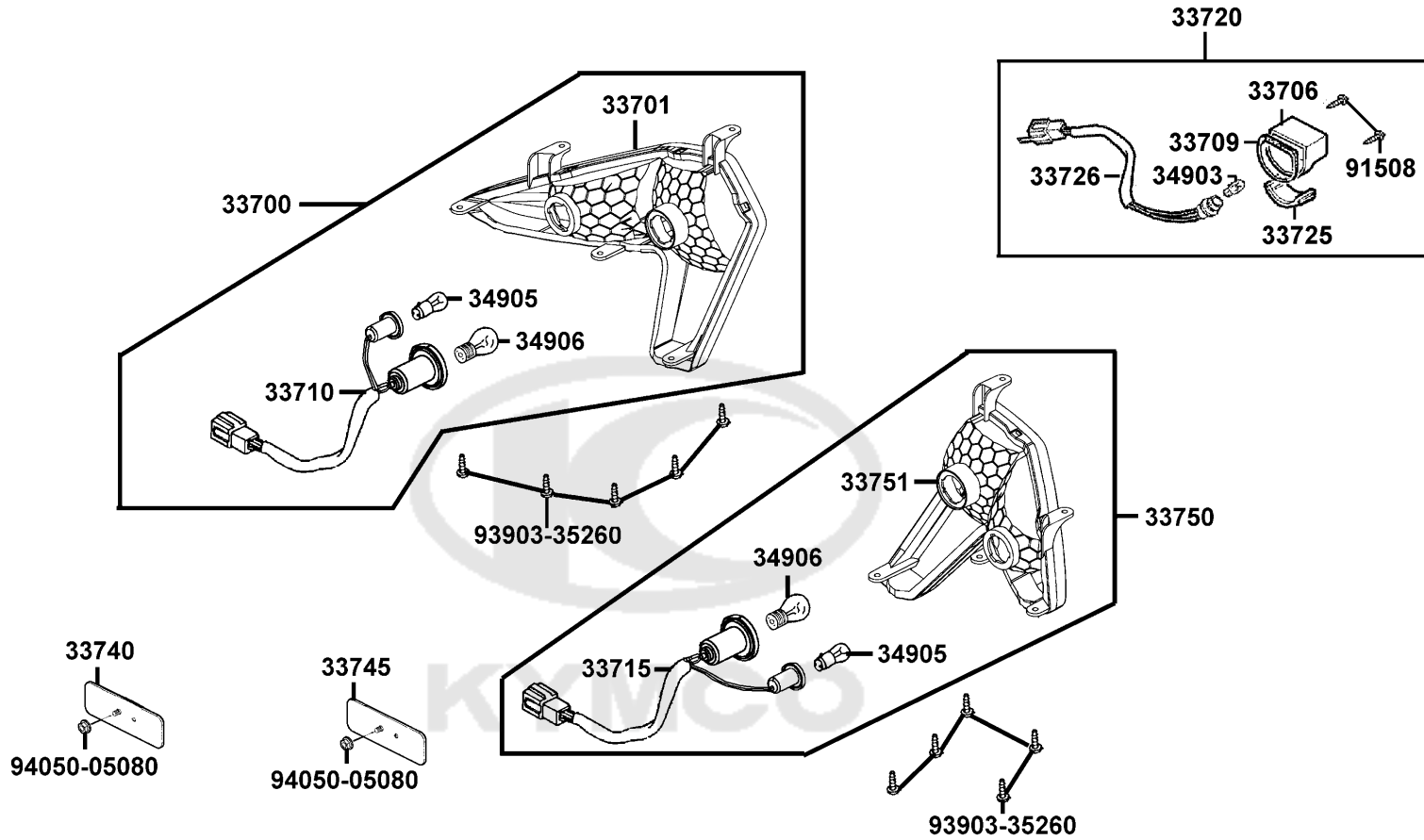
Sales mark	Ref no	Part no	Description	Reg description	Regd no	<b>F19</b>
	33400	33400-LCA5-E00	WINKER ASSY R FR	WINKER ASSY R FR	1	
	33401	33401-LCA5-E00	UNIT WINKER R FR	UNIT WINKER R FR	1	
	33450	33450-LCA5-E00	WINKER ASSY L FR	WINKER ASSY L FR	1	
	33451	33451-LCA5-E00	UNIT WINKER L FR	UNIT WINKER L FR	1	
	34905	34905-LBA7-E00	BULB WINKER 12V10W	BULB WINKER 12V10W	2	
#	93903	93903-35360	SCREW TAPPING 5*16	SCREW TAPPING 5*16	4	





F20

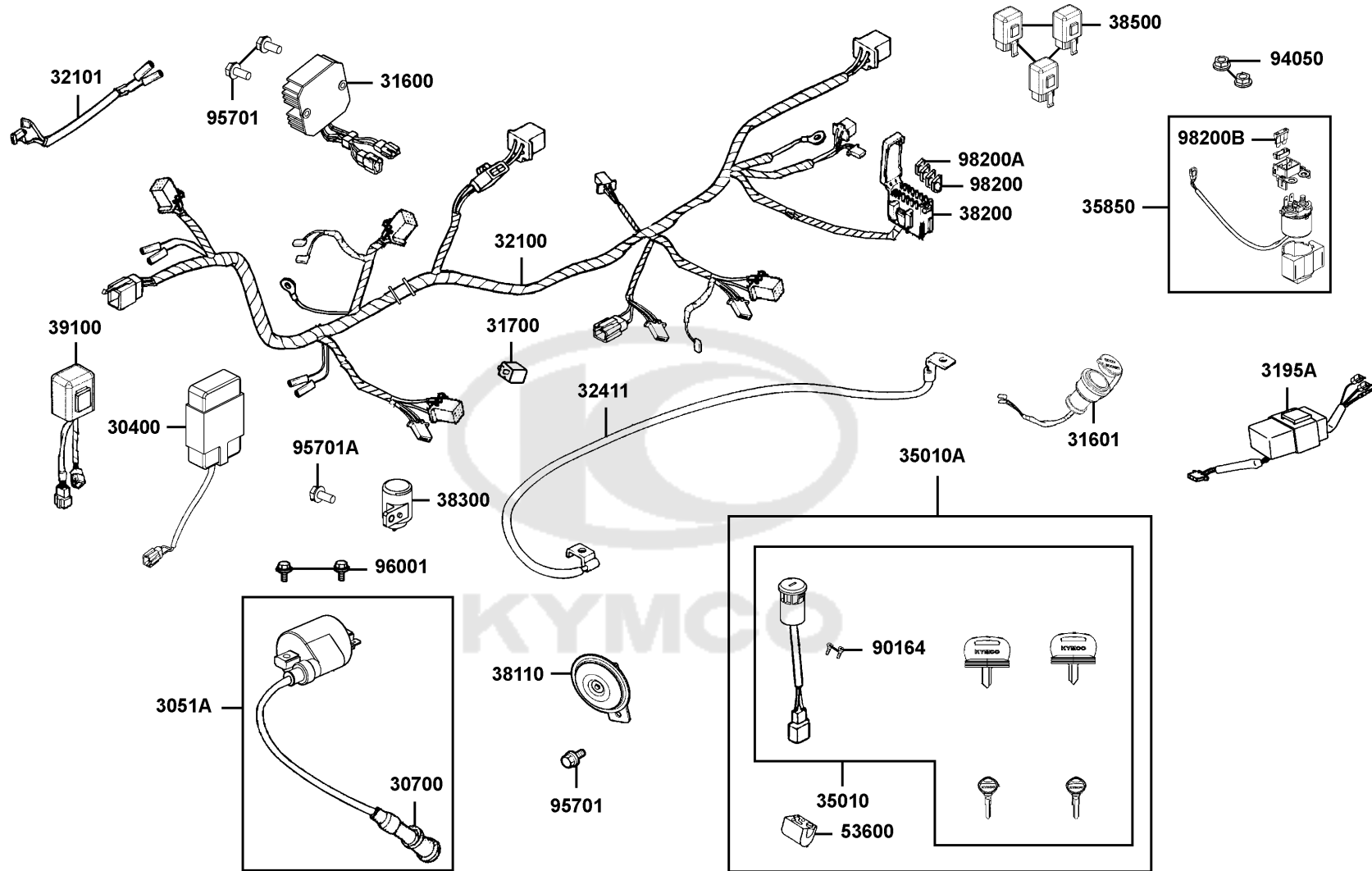
Light Tail



Sales mark	Ref no	Part no	Description	Reg description	Regd no	F20
	33700	33700-LCA5-E00	LIGHT ASSY R RR COMB	LIGHT ASSY R RR COMB	1	
	33701	33701-LCA5-E00	UNIT TAIL LIGHT R	UNIT TAIL LIGHT R	1	
	33706	33706-GCN3-67A	COVER LICENSE	COVER LICENSE	1	
	33709	33709-KBAB-003	PACKING LICENSE	PACKING LICENSE	1	
	33710	33710-LCA5-E00	SOCKET COMP R RR COMB	SOCKET COMP R RR COMB	1	
	33715	33715-LCA5-E00	SOCKET COMP L RR COMB	SOCKET COMP L RR COMB	1	
	33720	33720-LCA5-E00	LIGHT ASSY LICENSE	LIGHT ASSY LICENSE	1	
	33725	33725-KHB4-E00	LENS LICENSE	LENS LICENSE	1	
	33726	33726-LCA5-E00	SOCKET COMP	SOCKET COMP	1	
	33740	33740-LCA5-E00	REFLECTOR ASSY R RR	REFLECTOR ASSY R RR	1	
	33745	33745-LCA5-E00	REFLECTOR ASSY L RR	REFLECTOR ASSY L RR	1	
	33750	33750-LCA5-E00	LIGHT ASSY L RR COMB	LIGHT ASSY L RR COMB	1	
	33751	33751-LCA5-E00	UNIT TAIL LIGHT L	UNIT TAIL LIGHT L	1	
	34903	34903-KPCP-900	BULB POSITION	BULB POSITION	1	
	34905	34905-LCA5-E00	BULB WINKER	BULB WINKER	2	
	34906	34906-KPCP-900	BULB TAIL & STOP	BULB TAIL & STOP	2	
	91508	91508-KGV7-67A	SCREW TAPPING 4*14	SCREW TAPPING 4*14	2	
	93903-35260	93903-35260	SCREW TAPPING 5*12	SCREW TAPPING 5*12	10	
	94050-05080	94050-05080	NUT FLANGE 5MM	NUT FLANGE 5MM	2	

F21

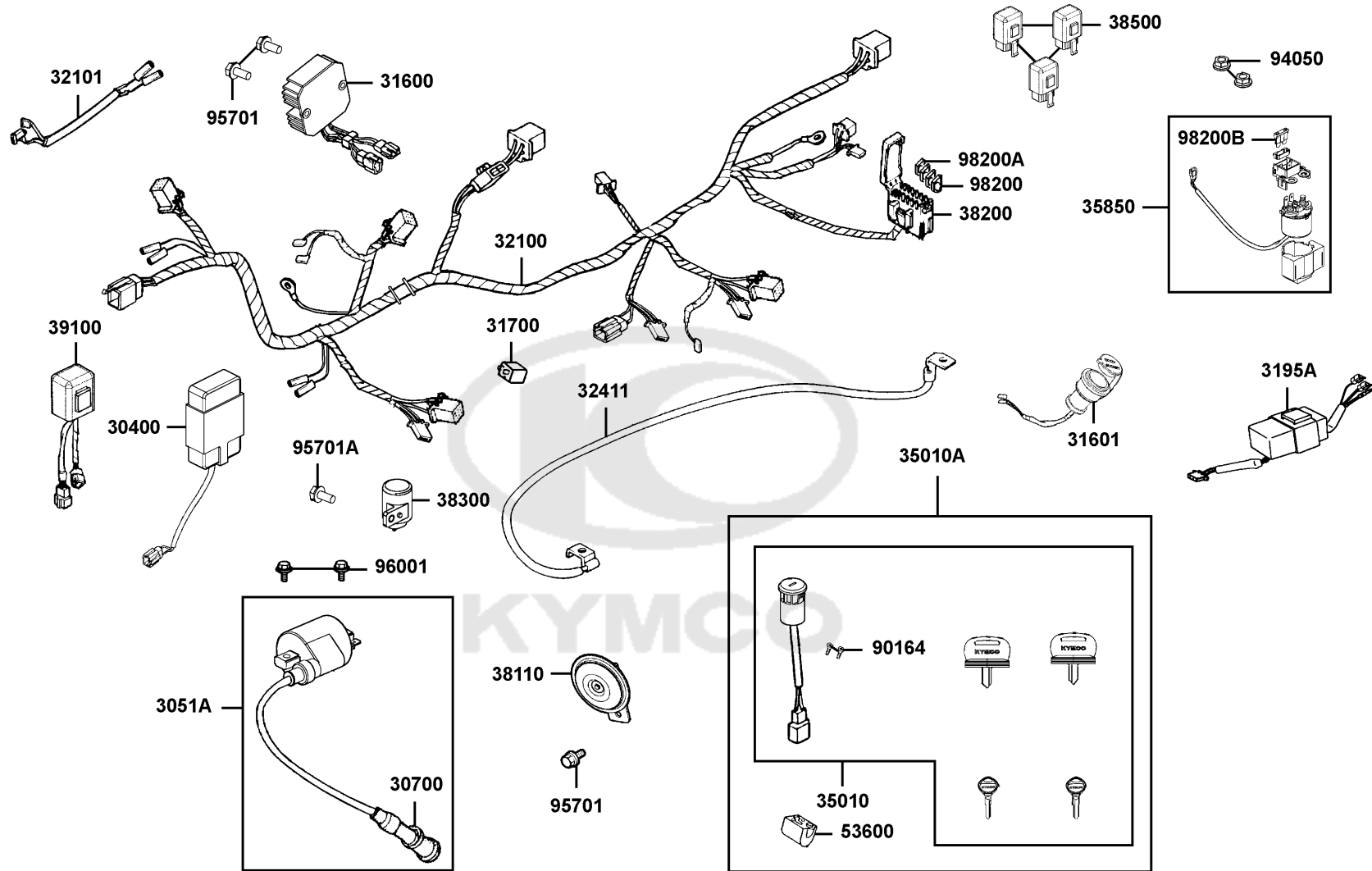
Harness Wire



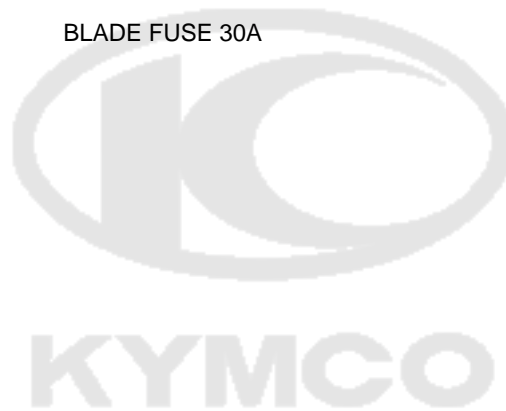
Sales mark	Ref no	Part no	Description	Reg description	Regd no	F21
	30400	30400-LFE9-E00	UNIT ASSY IGNITION	UNIT ASSY IGNITION	1	
	3051A	3051A-LDB5-E00	COIL ASSY IGNITION	COIL ASSY IGNITION	1	
	30700	30700-LDB5-E00	CAP ASSY NOISE SUPPRESOR	CAP ASSY NOISE SUPPRESOR	1	
	31600	31600-LDB5-E00	REG REC COMP	REG REC COMP	1	
	31601	31601-LDB5-E00	SOCKET COMP DC 12V	SOCKET COMP DC 12V	1	
	31700	31700-KEC8-E00	RECTIFIER COMP DIODE	RECTIFIER COMP DIODE	1	
	3195A	3195A-LBA7-E00	HAZARD CONTROL ASSY	HAZARD CONTROL ASSY	1	
	32100	32100-LFE9-E00	HARNES WIRE	HARNES WIRE	1	
	32101	32101-LLB1-800	SUB CORD	SUB CORD	1	
	32411	32411-LDB5-E00	CABLE BAT	CABLE BAT	1	
	35010	35010-LCA5-90A	KEY SET	KEY SET	1	
	35010A	35010-LCA5-E0A	KEY SET	KEY SET	1	
	35850	35850-LDB5-E00	SET START MAG	SET START MAG	1	
	38110	38110-LDB5-E00	HORN COMP	HORN COMP	1	
	38200	38200-KEBE-900	BOX COMP FUSE	BOX COMP FUSE	1	
	38300	38300-LBC6-90A	RELAY COMP WINKER	RELAY COMP WINKER	1	
#	38500	38500-LGL3-90A	RELAY ASSY LIGHT/D402	RELAY ASSY LIGHT/D402	1	
#	38500	38500-LGL3-90C	RELAY ASSY LIGHT/D421	RELAY ASSY LIGHT/D421	1	
	39100	39100-LBA7-E00	EMI FILTER FAN MOTOR	EMI FILTER FAN MOTOR	1	
	53600	53600-KKAK-E0A	LOCK STEERING HNDL	LOCK STEERING HNDL	1	

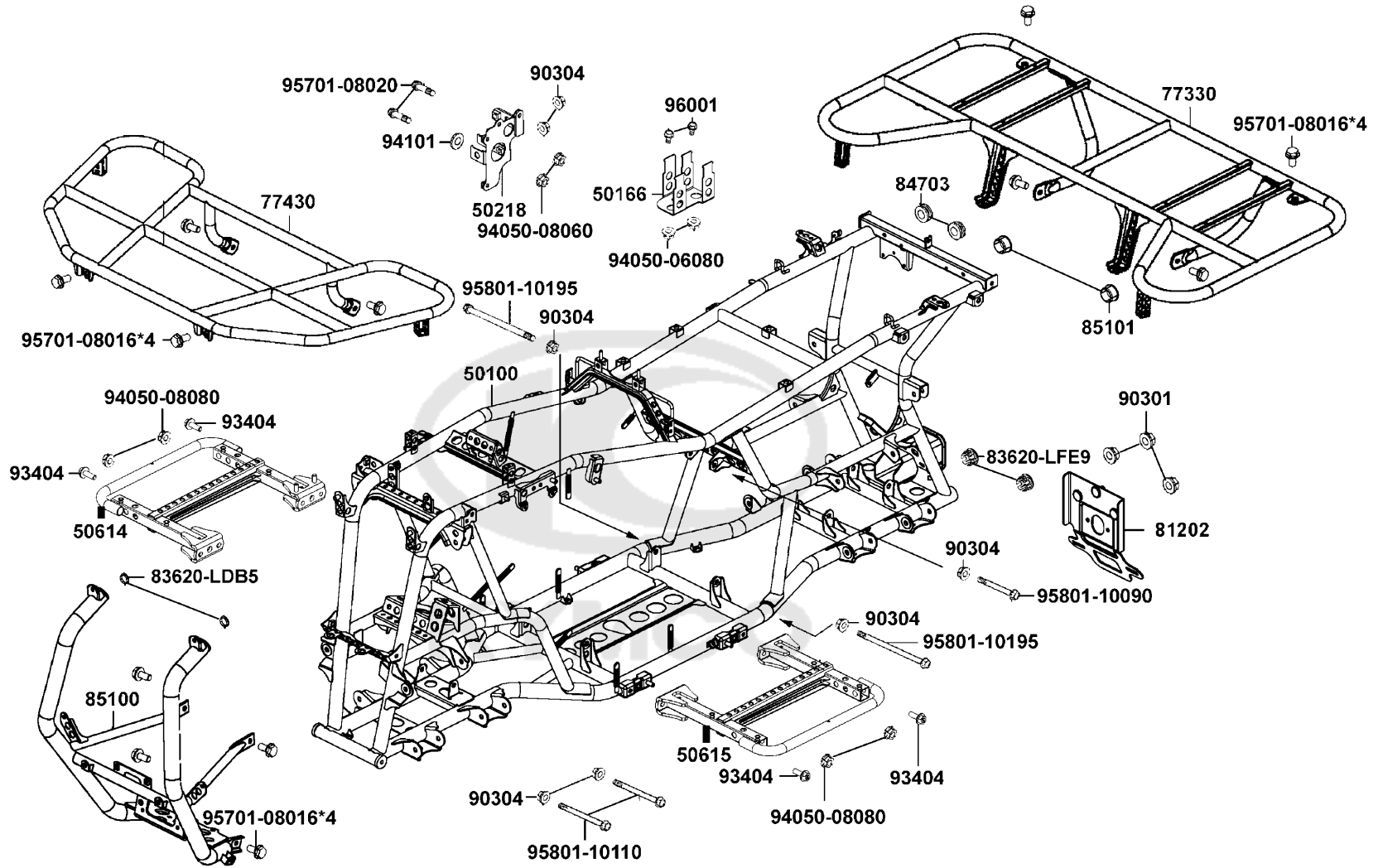
F21

# Harness Wire



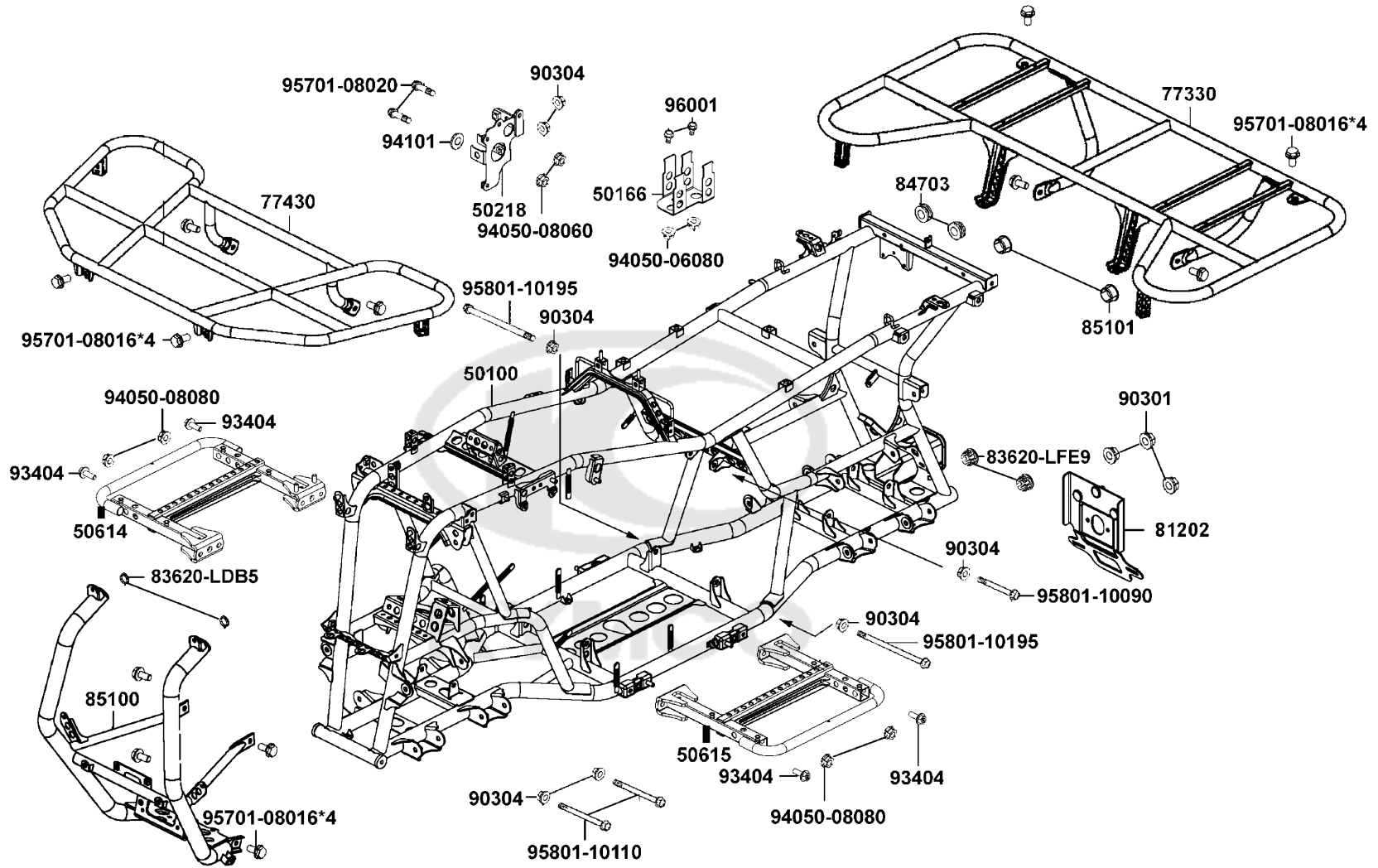
Sales mark	Ref no	Part no	Description	Reg description	Regd no	<b>F21</b>
	90164	90164-0H28-900	SCREW FLAT U LOCK 6*12	SCREW FLAT U LOCK 6*12	2	
	94050	94050-06080	NUT FLANGE 6MM	NUT FLANGE 6MM	2	
#	95701	95701-06012-06	BOLT FLANGE 6*12	BOLT FLANGE 6*12	1	
#	95701A	95701-06016-06	BOLT FLANGE 6*16 (K)	BOLT FLANGE 6*16 (K)	3	
#	96001	96001-06016-06	BOLT FLANGE SH 6*16	BOLT FLANGE SH 6*16	1	
	98200	98200-31000	BLADE FUSE 10A	BLADE FUSE 10A	1	
	98200A	98200-31500	BLADE FUSE 15A	BLADE FUSE 15A	3	
	98200B	98200-33000	BLADE FUSE 30A	BLADE FUSE 30A	2	





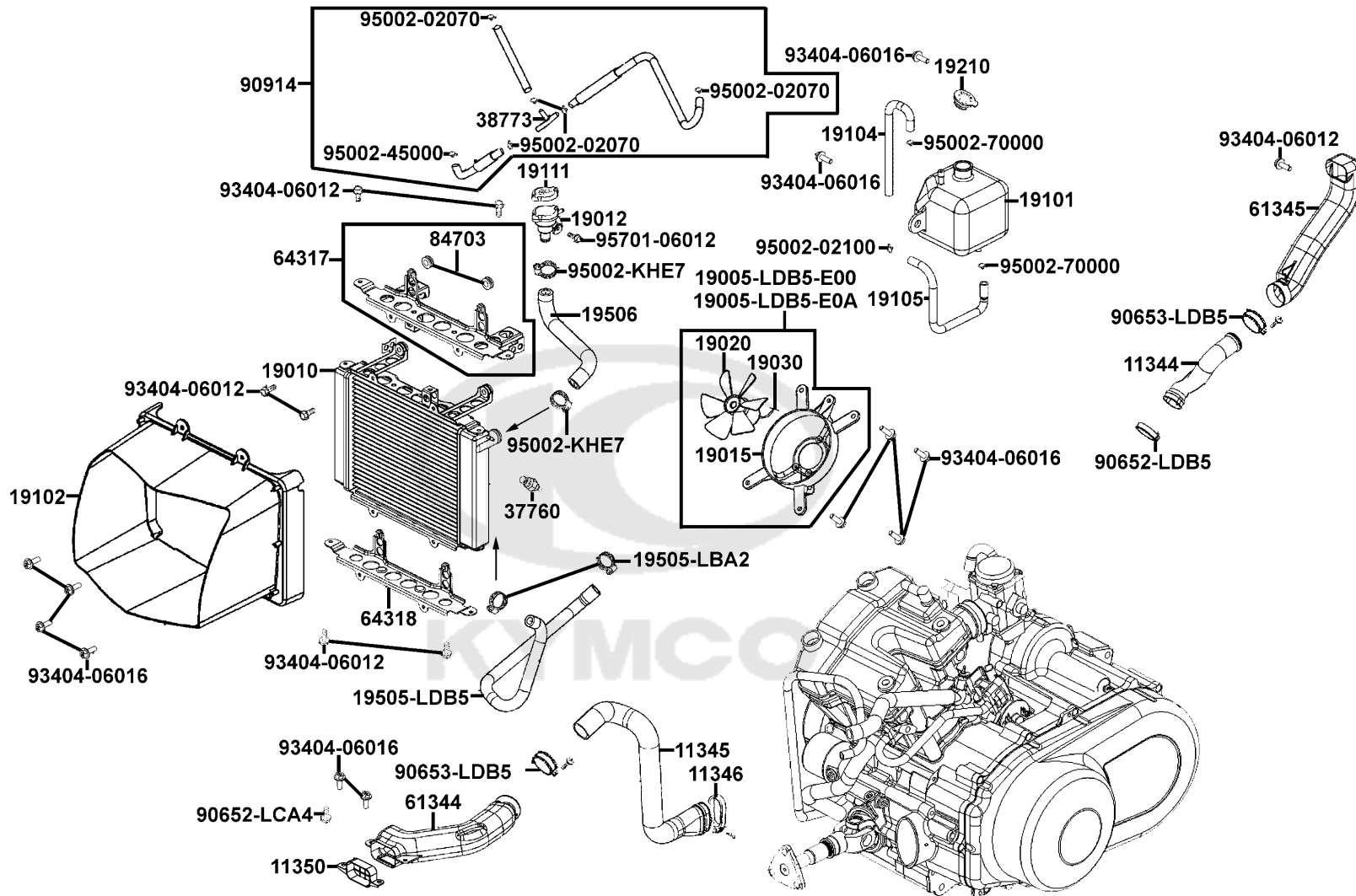
Sales mark	Ref no	Part no	Description	Reg description	Regd no	F22
	50100	50100-LFE9-E00	BODY COMP FRAME	BODY COMP FRAME	1	
	50166	50166-LDB5-E00	STAY START MAG SW	STAY START MAG SW	1	
	50218	50218-LDB5-E00	STAY ELE SET	STAY ELE SET	1	
	50614	50614-LDB5-E01	STAY R FLOOR PANEL	STAY R FLOOR PANEL	1	
	50615	50615-LDB5-E01	STAY L FLOOR PANEL	STAY L FLOOR PANEL	1	
**	77330	77330-LDB5-E00	REAR CARRIER LUGGAGE	REAR CARRIER LUGGAGE	1	
**	77430	77430-LDB5-E00	FRONT CARRIER LUGGAGE	FRONT CARRIER LUGGAGE	1	
	81202	81202-LDB5-E00	STAY NUMBER PLATE	STAY NUMBER PLATE	1	
	83620-LDB5	83620-LDB5-E00	CAP PIPE	CAP PIPE	2	
	83620-LFE9	83620-LFE9-E00	CAP PIPE	CAP PIPE	2	
	84703	84703-LLB1-900	RUBBER TAIL LIGHT	RUBBER TAIL LIGHT	2	
**	85100	85100-LFE9-E00	PIPE COMP FR BUMPER	PIPE COMP FR BUMPER	1	
	85101	85101-LCA5-E00	CAP PIPE	CAP PIPE	2	
	90301	90301-6C93-001	NUT 6MM OPENSTAY	NUT 6MM OPENSTAY	3	
	90304	90304-GHE8-004	NUT U 10MM	NUT U 10MM	7	
	93404	93404-06016-06	BOLT WASHER 6*16	BOLT WASHER 6*16	4	
	94050-06080	94050-06080	NUT FLANGE 6MM	NUT FLANGE 6MM	2	
	94050-08060	94050-08060	NUT FLANGE 8MM	NUT FLANGE 8MM	2	
	94050-08080	94050-08080	NUT FLANGE 8MM	NUT FLANGE 8MM	4	
	94101	94101-08600	WASH PLAIN 8MM	WASH PLAIN 8MM	1	



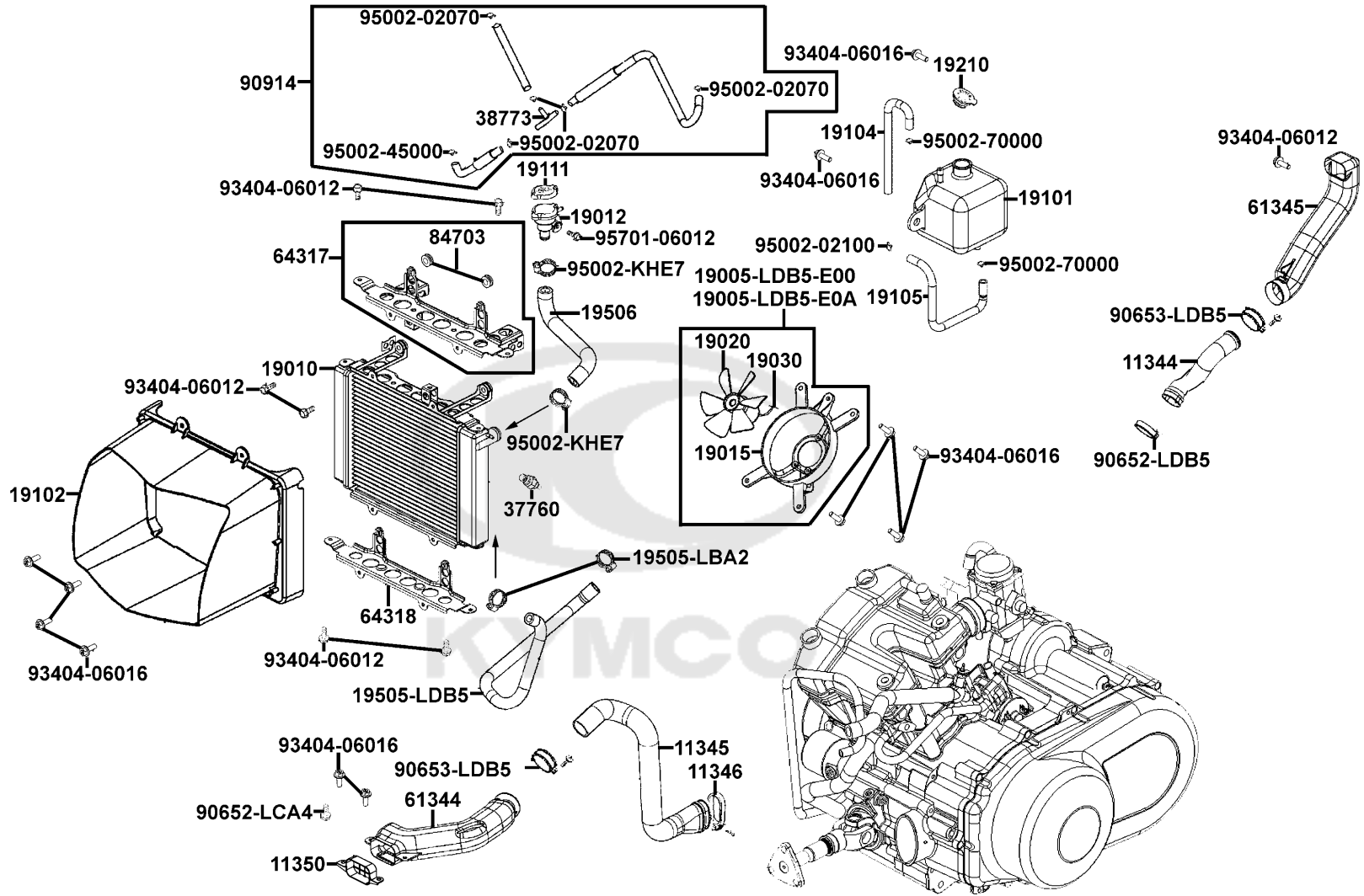


Sales mark	Ref no	Part no	Description	Reg description	Regd no	<b>F22</b>
	95701-08016	95701-08016-06	BOLT FLANGE 8*16	BOLT FLANGE 8*16	12	
	95701-08020	95701-08020-06	BOLT FLANGE 8*20	BOLT FLANGE 8*20	2	
	95801-10090	95801-10090-06	BOLT FLANGE 10*90	BOLT FLANGE 10*90	1	
	95801-10110	95801-10110-06	BOLT FLANGE 10*110	BOLT FLANGE 10*110	2	
	95801-10195	95801-10195-06	BOLT FLANGE 10*195	BOLT FLANGE 10*195	2	
#	96001	96001-06020-06	BOLT FLANGE SH 6*20	BOLT FLANGE SH 6*20	2	

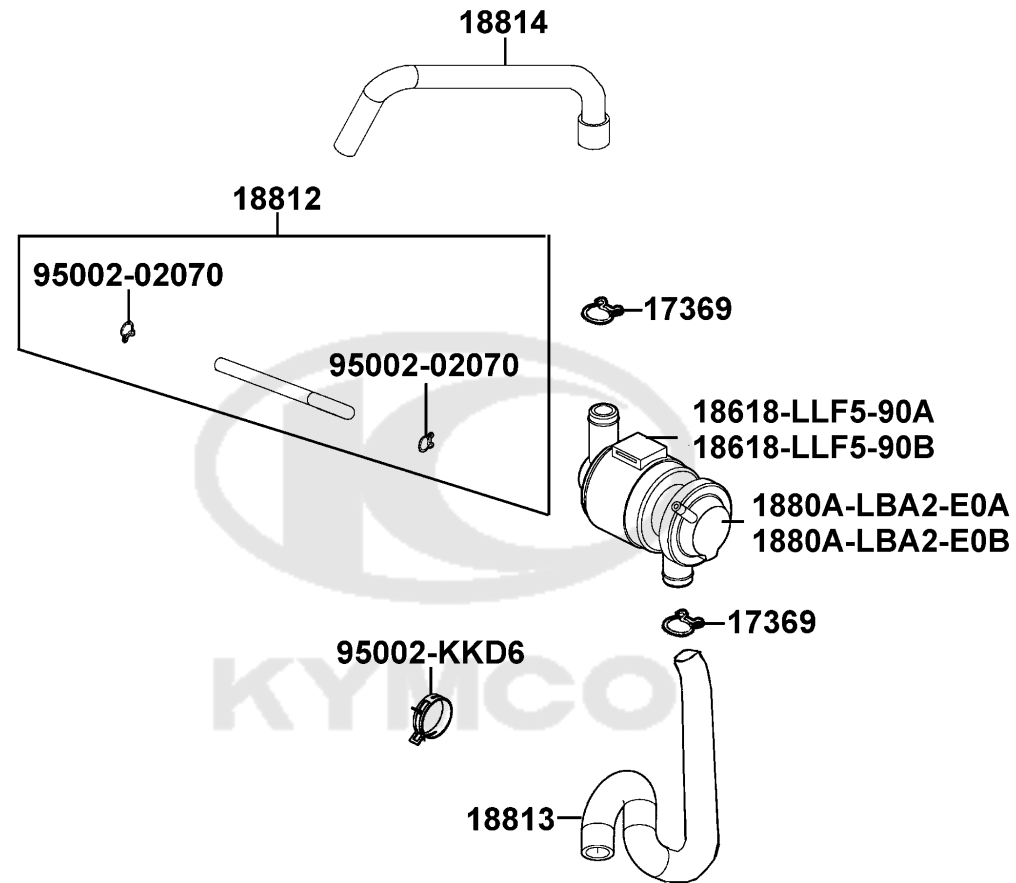




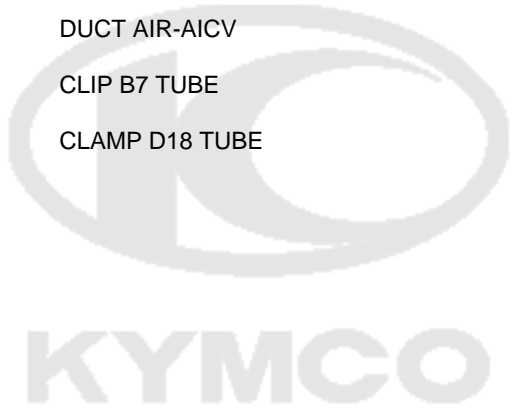
Sales mark	Ref no	Part no	Description	Reg description	Regd no	F23
	11344	11344-LFE9-E00	DUCT B L CASE	DUCT B L CASE	1	
	11345	11345-LFE9-E00	DUCT A L CASE	DUCT A L CASE	1	
	11346	11346-LDB5-E00	BAND 56*96 FRONT CVT	BAND 56*96 FRONT CVT	1	
	11350	11350-LDB5-E00	ELEMENT DUCT A L COVER	ELEMENT DUCT A L COVER	1	
#	19005-LDB5-E00	19005-LDB5-E00	SHROUD ASSY	SHROUD ASSY	2	
	19010	19010-LDB5-E00	RADIATOR COMP	RADIATOR COMP	1	
	19012	19012-KHD8-900	UNIT RADIATOR	UNIT RADIATOR	1	
	19015	19015-LBA2-E00	SHROUD COMP	SHROUD COMP	1	
	19020	19020-LBA2-E00	FAN COOLING	FAN COOLING	1	
	19030	19030-LDB5-E00	MOTOR ASSY FAN	MOTOR ASSY FAN	1	
	19101	19101-LFE9-E00	TANK RESERVE	TANK RESERVE	1	
# **	19102	19102-ALC1-E00	DUCT COOLING AIR	DUCT COOLING AIR	1	
	19104	19104-LDB5-E00	HOSE ASSY DRAIN	HOSE ASSY DRAIN	1	
	19105	19105-LDB5-E00	HOSE ASSY RESERVE TANK-PRESSURE	HOSE ASSY RESERVE TANK-PRESSURE	1	
	19111	19111-GBE2-004	CAP COMP	CAP COMP	1	
	19210	19210-KKC4-900	CAP RESERVE TANK	CAP RESERVE TANK	1	
	19505-LBA2	19505-LBA2-E00	CLAMP WATER HOSE	CLAMP WATER HOSE	2	
	19505-LDB5	19505-LDB5-E00	HOSE WATER F ENG-RADIATOR	HOSE WATER F ENG-RADIATOR	1	
	19506	19506-LDB5-E00	HOSE WATER G RADIATOR-PRESSURE	HOSE WATER G RADIATOR-PRESSURE	1	
	37760	37760-KHD8-900	SW ASSY THERMO	SW ASSY THERMO	1	



Sales mark	Ref no	Part no	Description	Reg description	Regd no	F23
	38773	38773-PKB9-001	JOINT 3 WAY 3.5	JOINT 3 WAY 3.5	1	
	61344	61344-LDB5-E00	CHAMBER L COVER DUCT	CHAMBER L COVER DUCT	1	
	61345	61345-LFE9-E00	CHAMBER L COVER DUCT B	CHAMBER L COVER DUCT B	1	
	64317	64317-LDB5-E00	STAY RADIATOR UPPER	STAY RADIATOR UPPER	1	
	64318	64318-LDB5-E00	STAY RADIATOR LOWER	STAY RADIATOR LOWER	1	
	84703	84703-LLB1-900	RUBBER TAIL LIGHT	RUBBER TAIL LIGHT	2	
	90652-LCA4	90652-LCA4-E00	CLIP MUDGUARD	CLIP MUDGUARD	1	
	90652-LDB5	90652-LDB5-E00	BAND 67 FRONT CVT DUCT	BAND 67 FRONT CVT DUCT	1	
	90653-LDB5	90653-LDB5-E00	BAND 81 REAR CVT DUCT	BAND 81 REAR CVT DUCT	1	
	90914	90914-LFE9-E00	TUBE ASSY WATER	TUBE ASSY WATER	1	
	93404-06012	93404-06012-06	BOLT WASHER 6*12 (G)	BOLT WASHER 6*12 (G)	8	
	93404-06016	93404-06016-06	BOLT WASHER 6*16	BOLT WASHER 6*16	12	
	95002-02070	95002-02070	CLIP B7 TUBE	CLIP B7 TUBE	5	
	95002-02100	95002-02100	CLIP B15 TUBE	CLIP B15 TUBE	1	
	95002-45000	95002-45000	CLIP C8 TUBE	CLIP C8 TUBE	1	
	95002-70000	95002-70000	CLIP C11 TUBE	CLIP C11 TUBE	2	
	95002-KHE7	95002-KHE7-900	CLIP WATER HOSE	CLIP WATER HOSE	2	
#	95701-06012	95701-06012-06	BOLT FLANGE 6*12	BOLT FLANGE 6*12	1	



Sales mark	Ref no	Part no	Description	Reg description	Regd no	<b>F24</b>
	17369	17369-KDB4-671	CLIP BREATHER TUBE	CLIP BREATHER TUBE	2	
	18618-LLF5-90A	18618-LLF5-90A	RUBBER AICV MOUNT	RUBBER AICV MOUNT	1	
	18618-LLF5-90B	18618-LLF5-90B	RUBBER AICV MOUNT	RUBBER AICV MOUNT	1	
	1880A-LBA2-E0A	1880A-LBA2-E0A	AI/C-AICV ASSY	AI/C-AICV ASSY	1	
	1880A-LBA2-E0B	1880A-LBA2-E0B	AI/C AICV ASSY	AI/C AICV ASSY	1	
	18812	18812-LDB5-E00	TUBE ASSY VACUUM	TUBE ASSY VACUUM	1	
	18813	18813-LDB5-E00	DUCT AICV-REED VALVE	DUCT AICV-REED VALVE	1	
	18814	18814-LDB5-E00	DUCT AIR-AICV	DUCT AIR-AICV	1	
	95002-02070	95002-02070	CLIP B7 TUBE	CLIP B7 TUBE	2	
	95002-KKD6	95002-KKD6-E05	CLAMP D18 TUBE	CLAMP D18 TUBE	1	





**WARNING**  
 NEVER EXCEED 10 MPH (16 KPH) WHEN DIFFERENTIAL IS LOCKED. LOSS OF CONTROL AND SEVERE INJURY OR DEATH MAY RESULT AT HIGH SPEEDS WHEN DIFFERENTIAL IS LOCKED.  
87529-LFE9-M10


87529

**WARNING**  
 IMPROPER TIRE PRESSURE OR OVERLOADING CAN CAUSE LOSS OF CONTROL. LOSS OF CONTROL CAN RESULT IN SEVERE INJURY OR DEATH.  
 OPERATING TIRE PRESSURE: Set with tires cold  
 • Recommended:  
 FRONT: 35 ± 3 kpa, 10.35 ± 0.03 kg/cm<sup>2</sup>, 5.0 ± 0.4 psi  
 REAR: 32 ± 3 kpa, 10.32 ± 0.03 kg/cm<sup>2</sup>, 4.5 ± 0.4 psi  
 • Never set tire pressure over the recommended.  
87505-LFE9-E01

87505-LFE9-E01

**CAUTION**  
 Before shifting, you must stop the machine and return the throttle lever to its closed position until the engine speed to the specified idling speed. Otherwise, the transmission may be damaged.  
87322-LBA7-E000

87322-LBA7-E00

**WARNING**  
  
 Operating this ATV if you are under the age of 16 increases your chances of severe injury or death.  
 NEVER operate this ATV if you are under the age of 16.  
87517-LDB5-E00

87517-LDB5-E00

**WARNING**  
 Exceeding vehicle's towing limit could cause an accident. Reduce speed when towing a trailer. Read operator's manual for details.  
 MAXIMUM TOWING WEIGHT:  
 35 lbs. (16 kg)  
 MAXIMUM TOWING CAPACITY:  
 300 lbs. (135 kg)  
87514-LFE9-E02



87514-LFE9-E02

**WARNING**  
  
 Never carry passenger on this carrier.  
 Maximum load: 65 kg (140 lbs).  
87556-LDB5-E00

87556-LDB5-E00

**WARNING**  
  
 Never carry passenger on this carrier.  
 Maximum load: 65 kg (140 lbs).  
87556-LDB5-E01

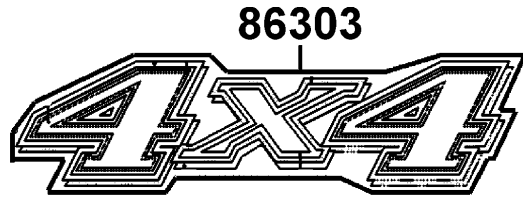
87556-LDB5-E01

**WARNING**  
 Improper ATV use can result in SEVERE INJURY or DEATH.  
   
**ALWAYS USE AN APPROVED HELMET AND PROTECTIVE GEAR**  
**NEVER operate:**  
 • without proper training or instruction  
 • at speeds too fast for your skills or the conditions.  
 • do not operate this vehicle after consuming alcohol or drugs.  
**ALWAYS:**  
 • use proper shifting techniques to avoid vehicle overturn on hill and rough terrain and in turns.  
 • for your safety, wear your seat belt, helmet, gloves and foot protection.  
 • operate in accordance, read off caution, avoid speed and open flames when refueling.  
**LOCKE AND READ OPERATOR'S MANUAL. FOLLOW ALL INSTRUCTIONS AND WARNINGS**  
87515-LDB5-E01

87515-LDB5-E01

Sales mark	Ref no	Part no	Description	Reg description	Regd no	<b>F25</b>
**	87322-LBA7-E00	87322-LBA7-E00	CAUTION SHIFIT GEARS	CAUTION SHIFIT GEARS	1	
**	87505-LFE9-E01	87505-LFE9-E01	LABEL TIRE ON ROAD	LABEL TIRE ON ROAD	1	
**	87514-LFE9-E02	87514-LFE9-E02	CAUTION MAXIMUM CAPACITY-ON	CAUTION MAXIMUM CAPACITY-ON ROAD	1	
**	87515-LDB5-E01	87515-LDB5-E01	DRIVE WARNING LIST-ON ROAD	DRIVE WARNING LIST-ON ROAD	1	
**	87517-LDB5-E00	87517-LDB5-E00	CAUTION DRIVE AGE 16	CAUTION DRIVE AGE 16	1	
**	87529	87529-LFE9-M30	WARNING DECAL DIFF LOCK	WARNING DECAL DIFF LOCK	1	
**	87556-LDB5-E00	87556-LDB5-E00	WARNING CARRIER MAX LOAD(45KG)	WARNING CARRIER MAX LOAD(45KG)	1	
**	87556-LDB5-E01	87556-LDB5-E01	WARNING CARRIER MAX LOAD(85KG)	WARNING CARRIER MAX LOAD(85KG)	1	





86302



86303



87503



87503



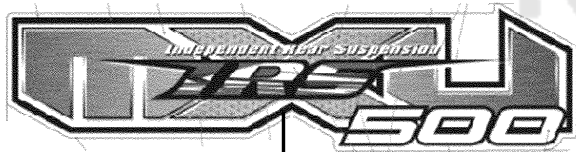
87532-LBE8



86102



87532-LCA5



86233



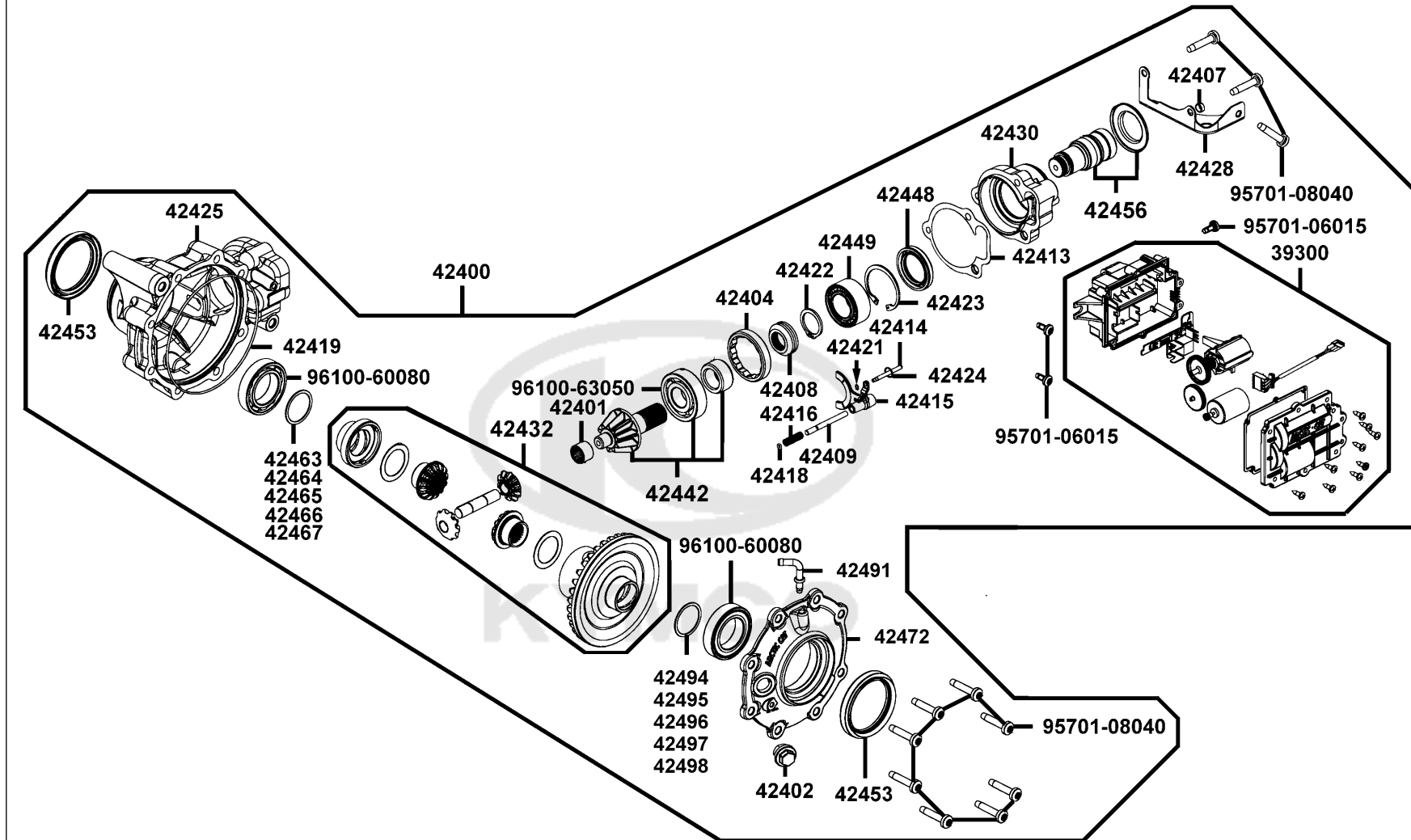
86223

Sales mark	Ref no	Part no	Description	Reg description	Regd no	<b>F26</b>
**	86102	86102-LDB5-900	STRIPE K-LOGO 28.5MM	STRIPE K-LOGO 28.5MM	1	
**	86223	86223-LFE9-E61	STRIPE R FUEL TANK	STRIPE R FUEL TANK	1	
**	86233	86233-LFE9-E61	STRIPE L FUEL TANK	STRIPE L FUEL TANK	1	
**	86302	86302-LDB5-E00	EMB GEAR REVEAL CHANGE	EMB GEAR REVEAL CHANGE	1	
**	86303	86303-LDB5-E00	STRIPE 4*4	STRIPE 4*4	2	
**	87503	87503-LDB5-900	STRIPE KYMCO 120MM	STRIPE KYMCO 120MM	2	
**	87532-LBE8	87532-LBE8-900	STRIPE KYMCO	STRIPE KYMCO	1	
**	87532-LCA5	87532-LCA5-900	STRIPE K-LOGO 60MM	STRIPE K-LOGO 60MM	1	



F27

### Separated Parts Of Fr Final Differential



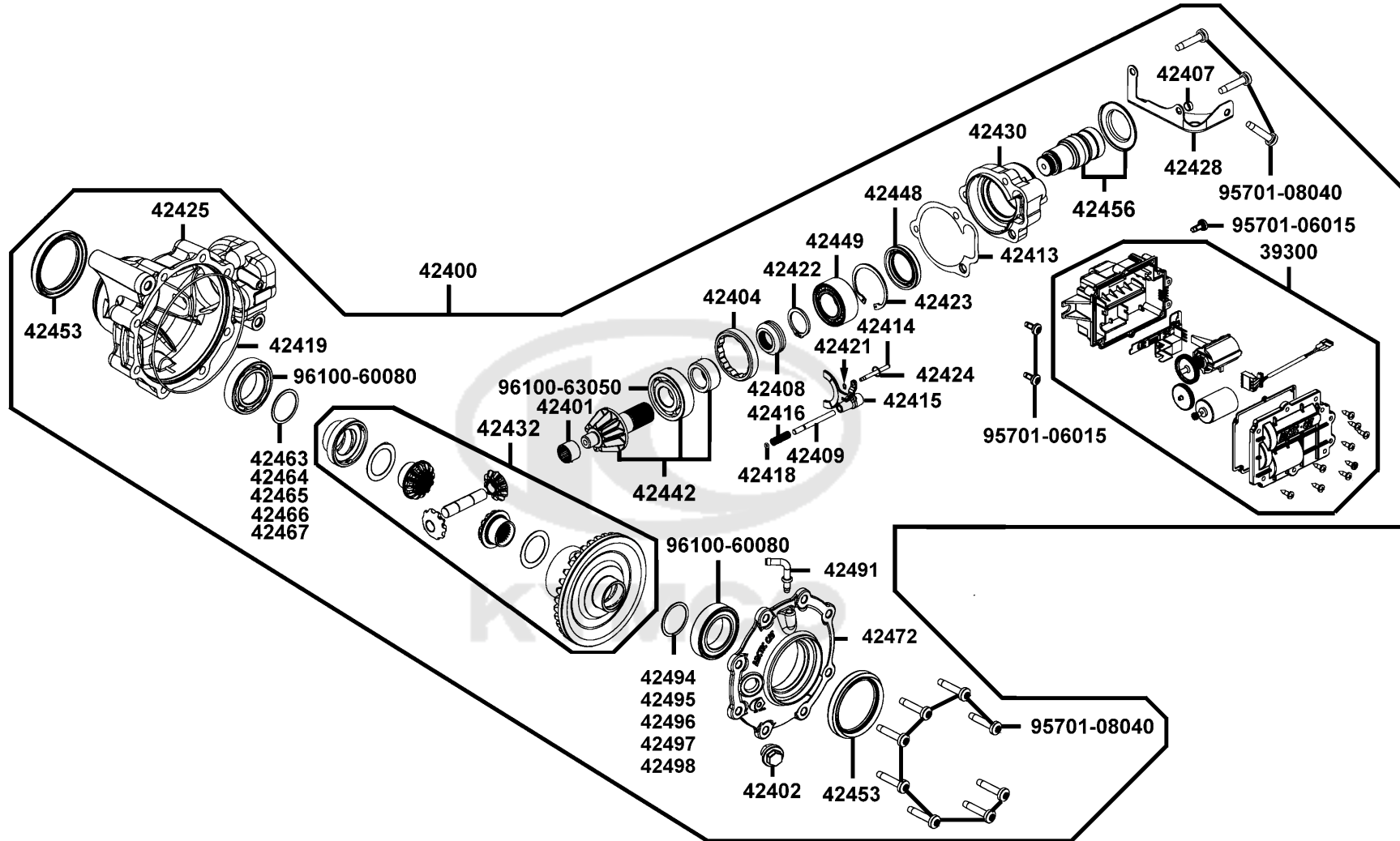
Sales mark	Ref no	Part no	Description	Reg description	Regd no	F27
	39300	39300-LFE9-E00	ACTUATOR	ACTUATOR	1	
#	42400	42400-LFE9-900	GEARCASE FRONT(3.6) ASSY	GEARCASE FRONT(3.6) ASSY	1	
#	42400	42400-LKA8-500	E-LOCK GEARCASE FRONT 3.6	E-LOCK GEARCASE FRONT 3.6	1	
	42401	42401-PWB1-900	BEARING NEEDLE(16NQ2316)	BEARING NEEDLE(16NQ2316)	1	
	42402	42402-PWB1-900	PLUG FULL	PLUG FULL	1	
	42404	42404-PWB1-900	COLLAR LOCK M64X1.5RH	COLLAR LOCK M64X1.5RH	1	
	42407	42407-PWB1-900	PIN DOWEL	PIN DOWEL	1	
	42408	42408-PWB1-900	COUPLE DRIVE	COUPLE DRIVE	1	
	42409	42409-PWB1-900	SHAFT.SHUTTLE	SHAFT.SHUTTLE	1	
	42413	42413-PWB1-900	GASKET FLANGE	GASKET FLANGE	1	
	42414	42414-PWB1-900	SHAFT SELECTOR	SHAFT SELECTOR	1	
	42415	42415-PWB1-900	FORK SELECTOR	FORK SELECTOR	1	
	42416	42416-PWB1-900	SPRING RETURN-4WD	SPRING RETURN-4WD	1	
	42418	42418-PWB1-900	O-RING 3X2MM	O-RING 3X2MM	1	
	42419	42419-PWB1-900	O-RING 150X2MM	O-RING 150X2MM	1	
	42421	42421-PWB1-900	RING RETAINING-EXT 4	RING RETAINING-EXT 4	1	
	42422	42422-PWB1-900	RING RETAINING ONE	RING RETAINING ONE	1	
	42423	42423-PWB1-900	RING RETAINING	RING RETAINING	1	
	42424	42424-PWB1-900	O-RING ACTUATOR	O-RING ACTUATOR	1	
	42425	42425-LEE8-900	HOUSING GEARCASE-FRONT MACH	HOUSING GEARCASE-FRONT MACH	1	



Sales mark	Ref no	Part no	Description	Reg description	Regd no	F27
42428		42428-LFE9-E00	BRACKET ACTUATOR WELDMENT	BRACKET ACTUATOR WELDMENT	1	
42430		42430-PWB1-900	HOUSING PINION-MACH	HOUSING PINION-MACH	1	
42432		42432-LFE9-E00	GEAR FR (36TOOTH) WELDMENT	GEAR FR (36TOOTH) WELDMENT	1	
42442		42442-LEE8-900	PINION (10 TOOTH) ASSEMBLY	PINION (10 TOOTH) ASSEMBLY	1	
42448		42448-PWB1-900	SEAL 38X55X14	SEAL 38X55X14	1	
42449		42449-PWB1-900	BEARING BALL-DOUBLE ROW	BEARING BALL-DOUBLE ROW	1	
42453		42453-PWB1-900	SEAL 67X84X9	SEAL 67X84X9	2	
42456		42456-PWB1-900	SHAFT INPUT-ASSEMBLY	SHAFT INPUT-ASSEMBLY	1	
42463		42463-PWB1-900	SHIM 41*49*1.3	SHIM 41*49*1.3	1	
42464		42464-PWB1-900	SHIM 41*49*1.4	SHIM 41*49*1.4	1	
42465		42465-PWB1-900	SHIM 41*49*1.5	SHIM 41*49*1.5	1	
42466		42466-PWB1-900	SHIM 41*49*1.6	SHIM 41*49*1.6	1	
42467		42467-PWB1-900	SHIM 41*49*1.7	SHIM 41*49*1.7	1	
42472		42472-LFE9-E00	COVER E-LOCKER ASSEMBLY	COVER E-LOCKER ASSEMBLY	1	
42491		42491-LEE8-900	BARB 90 DEG	BARB 90 DEG	1	
42494		42494-LEE8-900	SHIM 61*69*1.3mm	SHIM 61*69*1.3mm	1	
42495		42495-LEE8-900	SHIM 61*69*1.4mm	SHIM 61*69*1.4mm	1	
42496		42496-LEE8-900	SHIM 61*69*1.5mm	SHIM 61*69*1.5mm	1	
42497		42497-LEE8-900	SHIM 61*69*1.6mm	SHIM 61*69*1.6mm	1	
42498		42498-LEE8-900	SHIM 61*69*1.7 mm	SHIM 61*69*1.7 mm	1	



Separated Parts Of Fr Final Differential

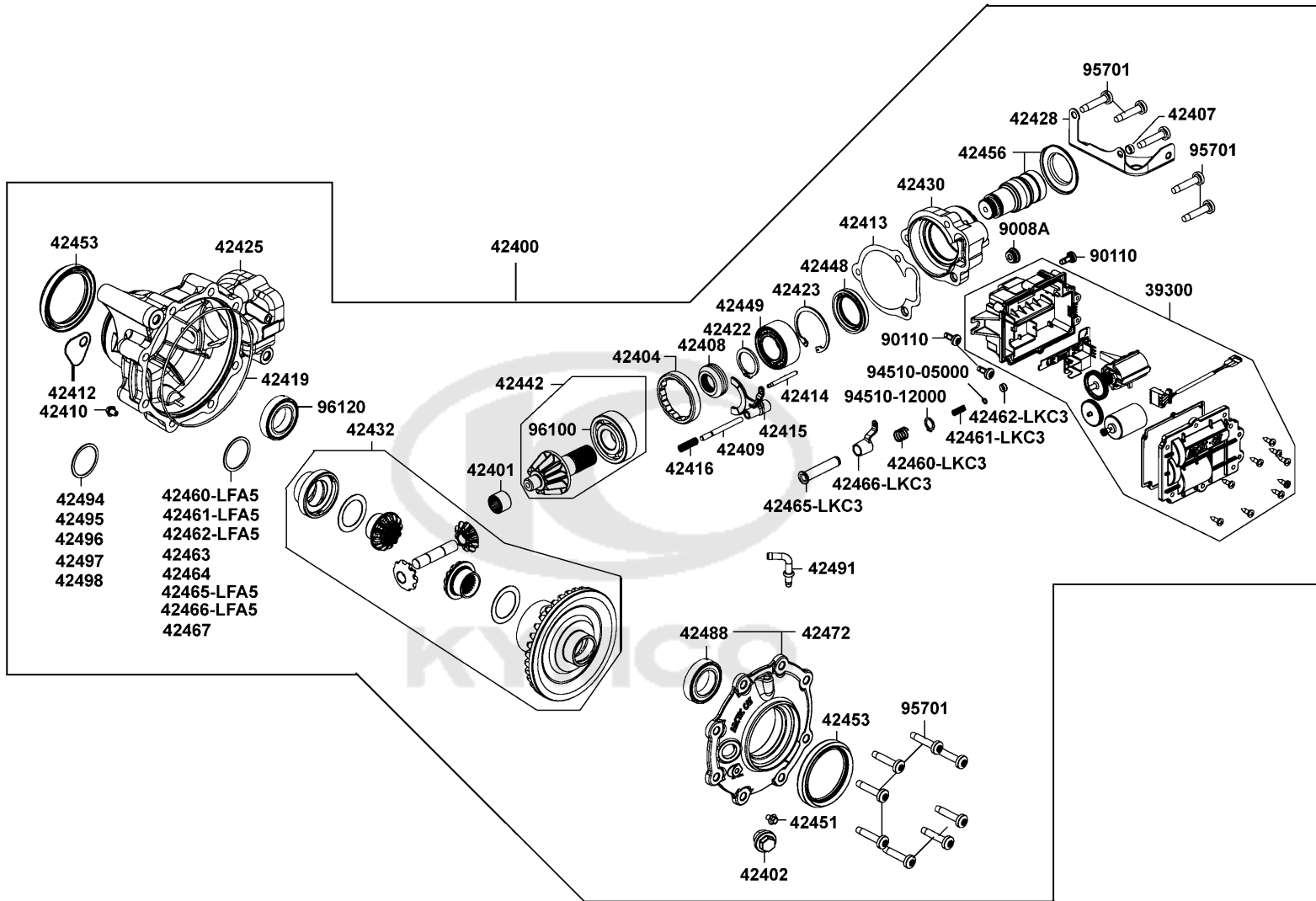


Sales mark	Ref no	Part no	Description	Reg description	Regd no	<b>F27</b>
------------	--------	---------	-------------	-----------------	---------	------------

	95701-06015	95701-06015-08	BOLT FLANGE 6*15 (C)	BOLT FLANGE 6*15 (C)	3	
#	95701-08040	95701-08040-06	BOLT FLANGE 8x40 (G)	BOLT FLANGE 8x40 (G)	1	
	96100-60080	96100-60080-00	BRG RADIAL BALL 6008	BRG RADIAL BALL 6008	1	
	96100-63050	96100-63050-00	BRG BALL RADIAL 6305	BRG BALL RADIAL 6305	1	

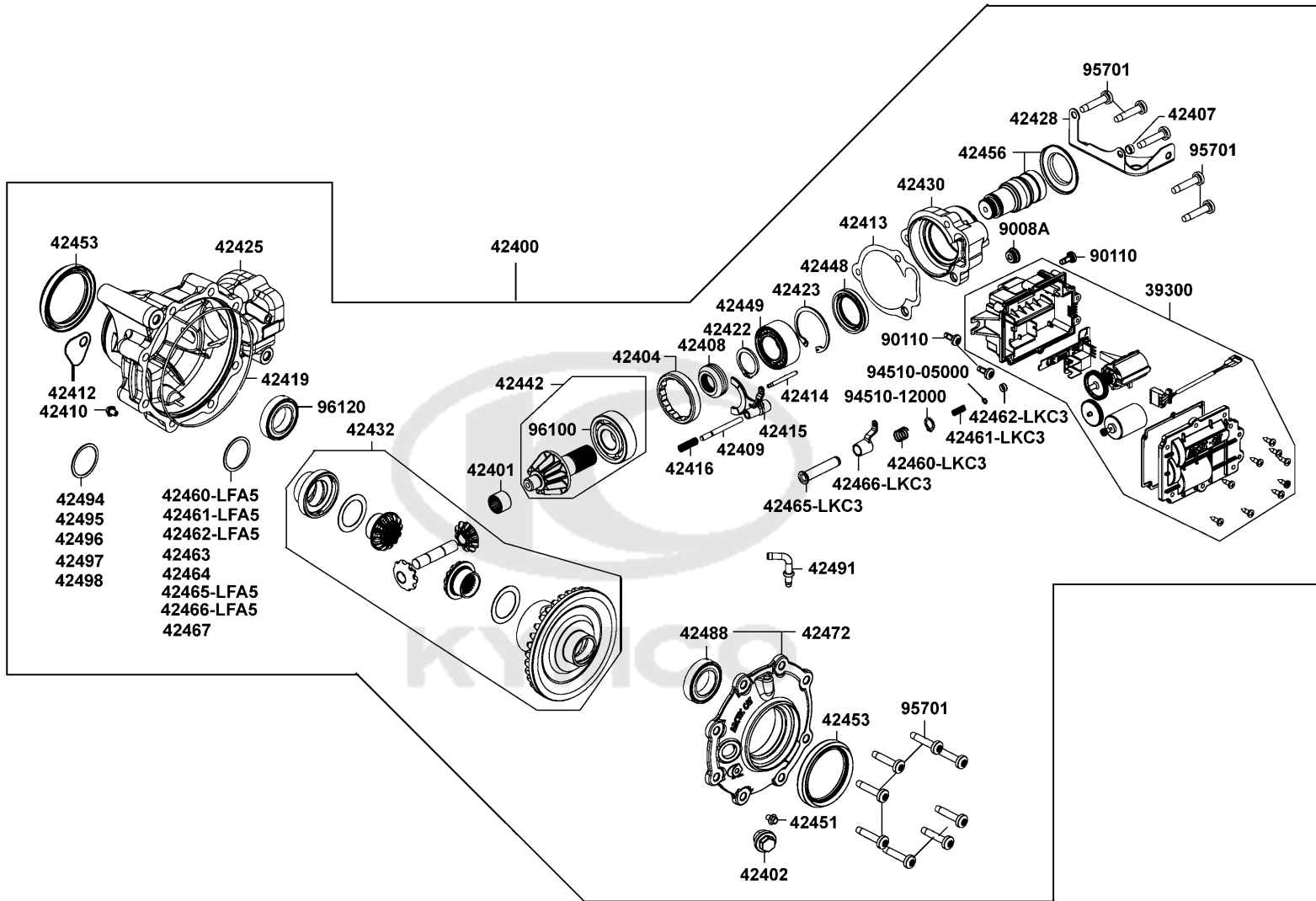


Separated Parts Of Fr Final Differential



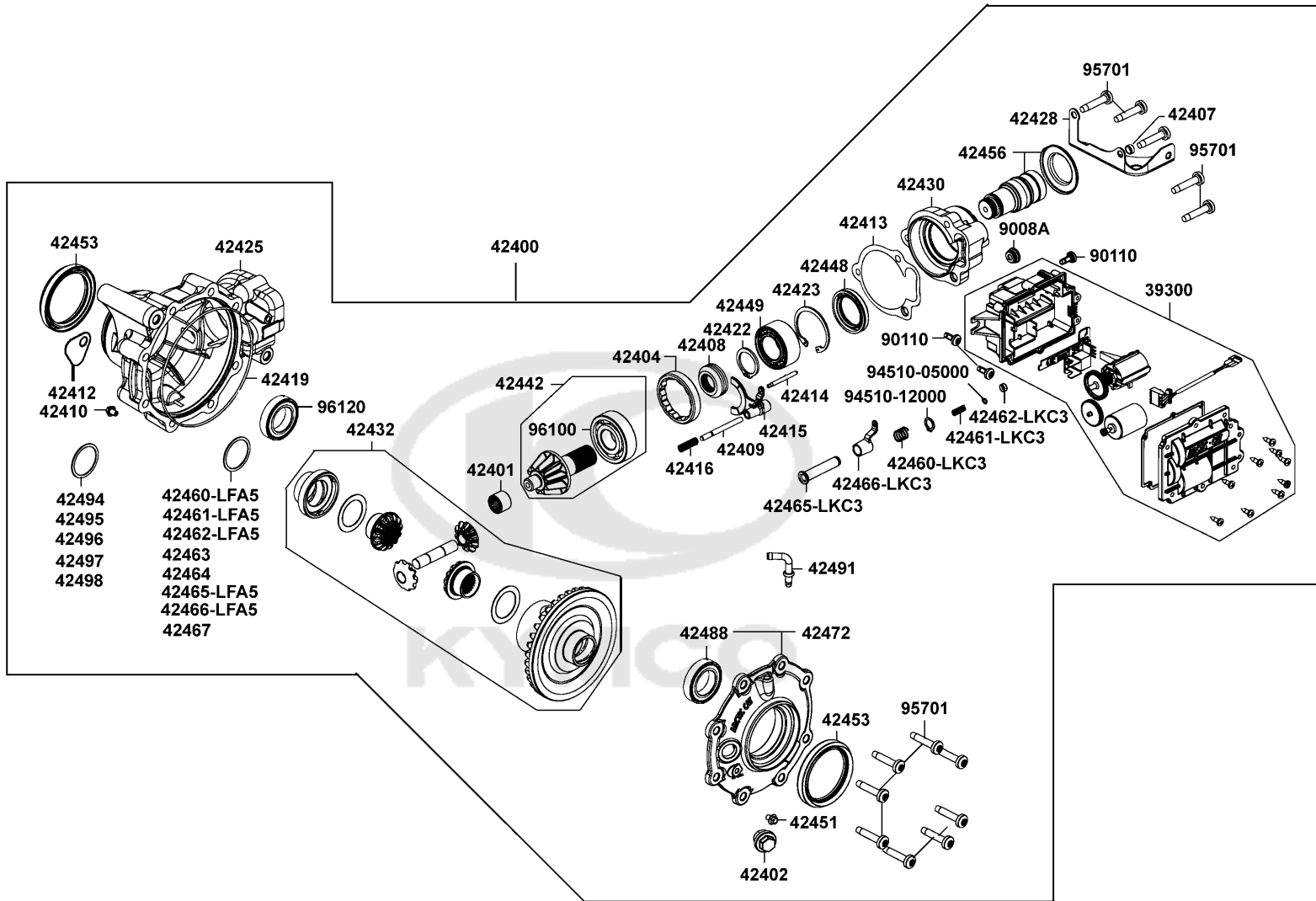
Sales mark	Ref no	Part no	Description	Reg description	Regd no	F27-1
	39300	39300-LKC3-500	ACTUATOR	ACTUATOR	1	
#	42400	42400-LKA8-500	E-LOCK GEARCASE FRONT 3.6	E-LOCK GEARCASE FRONT 3.6	1	
	42401	42401-LFA5-900	BEARING NEEDLE	BEARING NEEDLE	1	
	42402	42402-LFA5-900	PLUG FILL	PLUG FILL	1	
	42404	42404-LFA5-900	COLLAR LOCK M64X1.5 RH	COLLAR LOCK M64X1.5 RH	1	
	42407	42407-LFA5-900	PIN DOWEL	PIN DOWEL	1	
	42408	42408-LKC3-500	COUPLER DRIVE	COUPLER DRIVE	1	
	42409	42409-LKC3-500	SHAFT E-LOCK SELECTOR	SHAFT E-LOCK SELECTOR	1	
	42410	42410-LFA5-900	PLUG DRAIN MAG	PLUG DRAIN MAG	1	
	42412	42412-LFA5-900	TAG ID GEARCASE	TAG ID GEARCASE	1	
	42413	42413-LKC3-500	GASKET FLANGE	GASKET FLANGE	1	
	42414	42414-LKC3-500	SHAFT SELECTOR	SHAFT SELECTOR	1	
	42415	42415-LKC3-500	FORK SELECTOR	FORK SELECTOR	1	
	42416	42416-LKC3-500	COLLAR ACTUATOR	COLLAR ACTUATOR	1	
	42419	42419-LKC3-500	GASKET HOUSING	GASKET HOUSING	1	
	42422	42422-LFA5-900	RING RETAINING ONE	RING RETAINING ONE	1	
	42423	42423-LFA5-900	RING RETAINING	RING RETAINING	1	
	42425	42425-LKA8-500	HOUSING GEARCASE-FRONT MACH	HOUSING GEARCASE-FRONT MACH	1	
	42428	42428-LKC3-500	BRACKET ACTUATOR-WELDMENT	BRACKET ACTUATOR-WELDMENT	1	
	42430	42430-LKC3-500	HOUSING PINION-MACH	HOUSING PINION-MACH	1	

Separated Parts Of Fr Final Differential



Sales mark	Ref no	Part no	Description	Reg description	Regd no	F27-1
	42432	42432-LEE8-810	E-LOCK.OPEN TYPE GEARCASE	E-LOCK.OPEN TYPE GEARCASE	1	
	42442	42442-LKC3-500	PINION(10 TOOTH)-ASSEMBLY	PINION(10 TOOTH)-ASSEMBLY	1	
	42448	42448-LFA5-900	SEAL 38*55*14	SEAL 38*55*14	1	
	42449	42449-LFA5-900	BEARING BALL DOUBLE ROW	BEARING BALL DOUBLE ROW	1	
	42451	42451-LFA5-900	PLUG OIL LEVEL	PLUG OIL LEVEL	1	
	42453	42453-LGC3-900	OIL SEAL 48*84*9	OIL SEAL 48*84*9	1	
	42456	42456-LFA5-900	SHAFT INPUT ASSEMBLY	SHAFT INPUT ASSEMBLY	1	
	42460-LFA5	42460-LFA5-900	SHIM 41*49*1.0	SHIM 41*49*1.0	1	
	42460-LKC3	42460-LKC3-500	SPRING A E-LOCK	SPRING A E-LOCK	1	
	42461-LFA5	42461-LFA5-900	SHIM 41*49*1.1	SHIM 41*49*1.1	1	
	42461-LKC3	42461-LKC3-500	SPRING B E-LOCK	SPRING B E-LOCK	1	
	42462-LFA5	42462-LFA5-900	SHIM 41*49*1.2	SHIM 41*49*1.2	1	
	42462-LKC3	42462-LKC3-500	CAP E-LOCK	CAP E-LOCK	1	
	42463	42463-LFA5-900	SHIM 41*49*1.3	SHIM 41*49*1.3	1	
	42464	42464-LFA5-900	SHIM 41*49*1.4	SHIM 41*49*1.4	1	
	42465-LFA5	42465-LFA5-900	SHIM 41*49*1.5	SHIM 41*49*1.5	1	
	42465-LKC3	42465-LKC3-500	SHAFT SELECTOR	SHAFT SELECTOR	1	
	42466-LFA5	42466-LFA5-900	SHIM 41*49*1.6	SHIM 41*49*1.6	1	
	42466-LKC3	42466-LKC3-500	STAY..SELECTOR	STAY..SELECTOR	1	
	42467	42467-LFA5-900	SHIM 41*49*1.7	SHIM 41*49*1.7	1	

Separated Parts Of Fr Final Differential



Sales mark	Ref no	Part no	Description	Reg description	Regd no	F27-1
	42472	42472-LKC3-500	COVEFR LOCK ASSY	COVEFR LOCK ASSY	1	
	42488	42488-LEE8-E00	BEARING BALL	BEARING BALL	1	
	42491	42491-LEE8-E00	BARB 90	BARB 90	1	
	42494	42494-LEE8-E00	SHIM 61*69*1.3mm	SHIM 61*69*1.3mm	1	
	42495	42495-LEE8-E00	SHIM 61*69*1.4mm	SHIM 61*69*1.4mm	1	
	42496	42496-LEE8-E00	SHIM 61*69*1.5mm	SHIM 61*69*1.5mm	1	
	42497	42497-LEE8-E00	SHIM 61*69*1.6mm	SHIM 61*69*1.6mm	1	
	42498	42498-LEE8-E00	SHIM 61*69*1.7 mm	SHIM 61*69*1.7 mm	1	
	9008A	9008A-LKC3-500	CAP ASSY E-LOCK	CAP ASSY E-LOCK	1	
	90110	90110-LFA5-900	BOLT SPECIAL 6X12	BOLT SPECIAL 6X12	3	
	94510-05000	94510-05000	CIR CLIP EX5	CIR CLIP EX5	3	
	94510-12000	94510-12000	CIR CLIP EXTERNAL 12	CIR CLIP EXTERNAL 12	1	
#	95701	95701-08040-06	BOLT FLANGE 8x40 (G)	BOLT FLANGE 8x40 (G)	1	
	96100	96100-63050-00	BRG BALL RADIAL 6305	BRG BALL RADIAL 6305	1	
	96120	96120-60080-00	BEARING BALL 6008Z	BEARING BALL 6008Z	1	



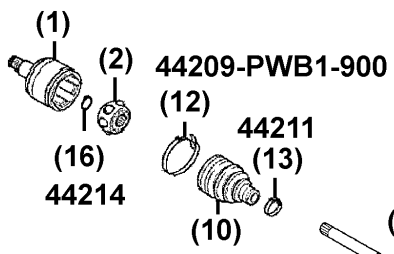
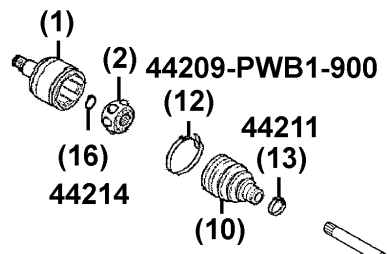
Separated Parts Of CVJ

44208-PWB1-305 INCLUDES NO.10.12.13.16.19.21  
44209-PWB1-305 INCLUDES NO.11.14.15.17.18.19.22

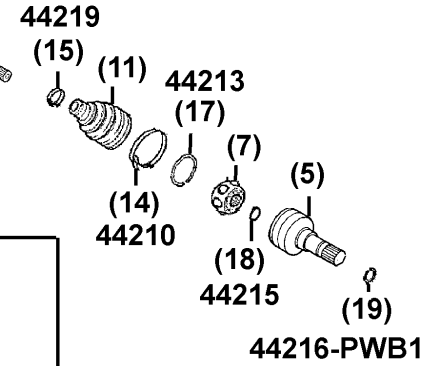
44200  
44250

42200  
42250

(20)GREASE(HTBJ)  
(21)GREASE(HTBJ)



(21)GREASE(HTBJ)  
(22)GREASE(HTBJ)



42208-LEE8-305 INCLUDES NO.10.12.13.16.19.20  
42209-LEE8-305 INCLUDES NO.11.14.15.17.18.19.21

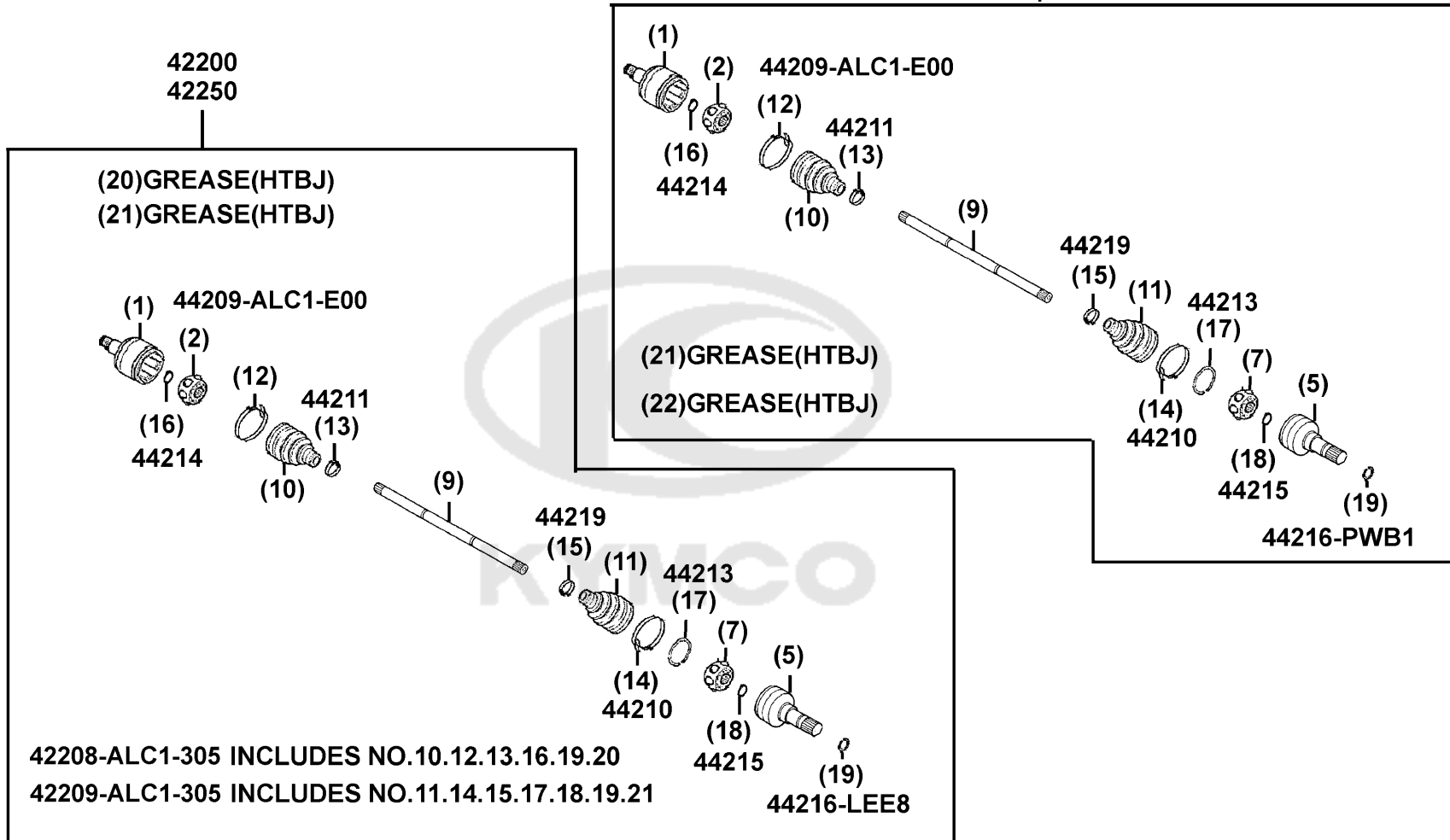
44216-LEE8

Sales mark	Ref no	Part no	Description	Reg description	Regd no	F28
	42200	42200-LFE9-E00	HALF SHAFT REAR-RH	HALF SHAFT REAR-RH	1	
	42208-LEE8-305	42208-LEE8-305	WHEEL SIDE BOOT SERVICE KIT	WHEEL SIDE BOOT SERVICE KIT	1	
	42209-LEE8-305	42209-LEE8-305	DIFF SIDE BOOT SERVICE KIT	DIFF SIDE BOOT SERVICE KIT	1	
	42250	42250-LFE9-E00	HALF SHAFT REAR-LH	HALF SHAFT REAR-LH	1	
#	44200	44200-ALC1-900	HALF SHAFT FRONT-RH	HALF SHAFT FRONT-RH	1	
#	44200	44200-LFE9-E00	HALF SHAFT FRONT-RH	HALF SHAFT FRONT-RH	1	
	44208-PWB1-305	44208-PWB1-305	WHEEL SIDE BOOT SERVICE KIT	WHEEL SIDE BOOT SERVICE KIT	1	
	44209-PWB1-305	44209-PWB1-305	DIFF SIDE BOOT SERVICE KIT	DIFF SIDE BOOT SERVICE KIT	1	
	44209-PWB1-900	44209-PWB1-900	BOOT-BAND (L)	BOOT-BAND (L)	2	
	44210	44210-PWB1-900	BOOT-BAND (L)	BOOT-BAND (L)	2	
	44211	44211-PWB1-900	BOOT-BAND (S)	BOOT-BAND (S)	2	
	44213	44213-PWB1-900	CIRCLIP (DOJ MONTH)	CIRCLIP (DOJ MONTH)	2	
	44214	44214-PWB1-900	CIRCLIP	CIRCLIP	2	
	44215	44215-PWB1-900	SNAP RING	SNAP RING	2	
	44216-LEE8	44216-LEE8-E00	CIRCLIP DOJ STEM	CIRCLIP DOJ STEM	1	
	44216-PWB1	44216-PWB1-900	CIRCLIP (DOJ STEM)	CIRCLIP (DOJ STEM)	1	
	44219	44219-PWB1-900	BOOT-BAND (S)	BOOT-BAND (S)	2	
#	44250	44250-ALC1-900	HALF SHAFT FRONT-LH	HALF SHAFT FRONT-LH	1	
#	44250	44250-LFE9-E00	HALF SHAFT FRONT-LH	HALF SHAFT FRONT-LH	1	

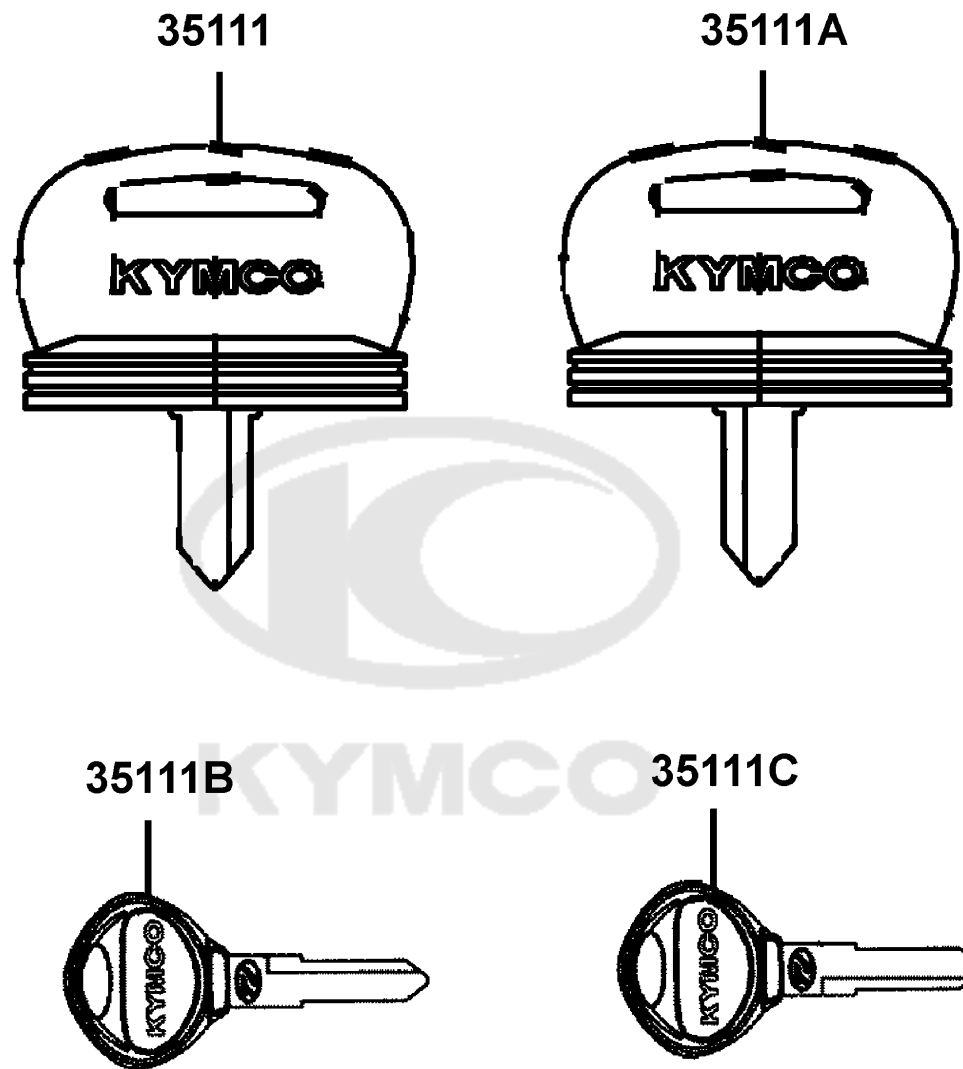
Separated Parts Of CVJ

44208-ALC1-305 INCLUDES NO.10.12.13.16.19.20  
 44209-ALC1-305 INCLUDES NO.11.14.15.17.18.19.21

44200  
 44250



Sales mark	Ref no	Part no	Description	Reg description	Regd no	F28-1
	42200	42200-ALC1-E00	HALF SHAFT REAR-RH	HALF SHAFT REAR-RH	1	
	42208	42208-ALC1-305	WHEEL SIDE BOOT SERVICE KIT	WHEEL SIDE BOOT SERVICE KIT	1	
	42209	42209-ALC1-305	DIFF SIDE BOOT SERVICE KIT	DIFF SIDE BOOT SERVICE KIT	1	
	42250	42250-ALC1-E00	HALF SHAFT REAR-LH	HALF SHAFT REAR-LH	1	
#	44200	44200-ALC1-900	HALF SHAFT FRONT-RH	HALF SHAFT FRONT-RH	1	
	44208	44208-ALC1-305	WHEEL SIDE BOOT SERVICE KIT	WHEEL SIDE BOOT SERVICE KIT	1	
	44209-ALC1-305	44209-ALC1-305	DIFF SIDE BOOT SERVICE KIT	DIFF SIDE BOOT SERVICE KIT	1	
	44209-ALC1-E00	44209-ALC1-E00	BOOT BAND (L)	BOOT BAND (L)	2	
	44210	44210-ALC1-E00	BOOT BAND (L)	BOOT BAND (L)	2	
	44211	44211-ALC1-E00	BOOT BAND(S)	BOOT BAND(S)	2	
	44213	44213-PWB1-900	CIRCLIP (DOJ MONTH)	CIRCLIP (DOJ MONTH)	2	
	44214	44214-PWB1-900	CIRCLIP	CIRCLIP	2	
	44215	44215-PWB1-900	SNAP RING	SNAP RING	2	
	44216-LEE8	44216-LEE8-E00	CIRCLIP DOJ STEM	CIRCLIP DOJ STEM	1	
	44216-PWB1	44216-PWB1-900	CIRCLIP (DOJ STEM)	CIRCLIP (DOJ STEM)	1	
	44219	44219-ALC1-E00	BOOT BAND(S)	BOOT BAND(S)	2	
#	44250	44250-ALC1-900	HALF SHAFT FRONT-LH	HALF SHAFT FRONT-LH	1	



Sales mark	Ref no	Part no	Description	Reg description	Regd no	<b>F29</b>
------------	--------	---------	-------------	-----------------	---------	------------

35111		35111-LCA5-325-M1	KEY COMP(FOR SERVICE)	KEY COMP(FOR SERVICE)	1	
35111A		35111-LCA5-326-M1	KEY COMP(FOR SERVICE)	KEY COMP(FOR SERVICE)	1	
35111B		35111-LLB1-327-M1	KEY COMP (FOR SERVICE)	KEY COMP (FOR SERVICE)	1	
35111C		35111-LLB1-328-M1	KEY COMP (FOR SERVICE)	KEY COMP (FOR SERVICE)	1	



## PART NO. INDEX

PART NO.	VERSION	PAGE	PART NO.	VERSION	PAGE	PART NO.	VERSION	PAGE		
<b>11000</b>			11704-LCA5-E00	1	E04	12391-LBA2-E00	1	E02		
			11706-LDB5-E00	1	E04	<b>13000</b>				
			11707-LDB5-E00	1	E04					
	1110A-LDB5-E00	0	E01	11708-LCA5-E00	1		E04			
	1119A-LDB5-E00	4	E01	11710-LDB5-E00	0	E04	1300A-LDB5-309	1	E03	
	11203-LDB5-E00	3	F14	<b>12000</b>			13011-LBA2-E0A	1	E03	
	11330-LEE8-E00	2	E04				13011-LBA2-E0B	0	E03	
	11341-LDB5-E00	4	E01				13101-LDG7-E00	2	E03	
	11341-LDB5-E00	5	E01		12100-LDB5-E00	4	E03	13111-LBA2-E00	4	E03
	11344-LFE9-E00	2	F23		12103-LBA2-E00	1	E03	<b>14000</b>		
	11345-LFE9-E00	0	F23		12191-LDB5-E00	2	E03			
	11346-LDB5-E00	2	F23		12205-KHE8-301	5	E02			
	11348-LDB5-E00	2	E04		12206-LBA2-E00	3	E02		14102-LDG7-E00	1
	11350-LDB5-E00	3	F23		12208-LBA2-E00	3	E02	14103-GEN5-912	0	E02
	11394-LDB5-E00	2	E04		12209-GDB4-68B	0	E02	14104-LBA2-E00	1	E02
	11395-LDB5-E00	1	E01	1220A-LDG7-900	5	E02	14105-GEN5-910	0	E02	
	11441-LDB5-910	1	E05	1220C-LEE8-E00	0	E02	1411A-LBA2-E00	11	E02	
	11442-LDB5-900	3	E05	12251-LBA2-E00	4	E03	1412A-LDG7-E00	4	E02	
	11443-LDB5-900	2	E05	12302-LBA2-E00	3	E02	14153-LBA2-E00	3	E02	
	11451-LDB5-E00	4	E05	12303-LBA2-E00	3	E02	14154-LBA2-E00	1	E02	
11495-LDB5-E00	2	E05	12304-LBA2-E00	1	E02	14321-KED9-900	5	E02		
11496-LDB5-E00	3	E01	12306-LBA2-E00	0	E02	14321-LBA2-E00	2	E02		
11700-LDB5-E00	2	E04	12310-LDB5-E00	2	E02	14401-LBA2-E00	1	E03		
11701-LDB5-E00	1	E04	12311-KBE2-900	4	E02	14451-LBA2-E00	2	E02		
11702-LDB5-E00	2	E04	12361-GFY6-901	1	E01	14510-LDB5-E00	5	E03		
11703-LDB5-E00	2	E04	12361-GFY6-901	1	F16	14520-LDB5-E00	4	E03		

## PART NO. INDEX

PART NO.	VERSION	PAGE	PART NO.	VERSION	PAGE	PART NO.	VERSION	PAGE
14523-KED9-900	1	E03	1565A-PWA1-900	1	E04	16113-LDB5-E00	4	E09
14531-KED9-900	4	E03	15661-LBA7-900	1	E01	16114-KEC3-900	0	E09
14546-LBA2-E00	4	E02	15711-LDB5-E00	1	E06	16120-KEC3-900	1	E09
14552-KGBG-900	1	E02				16124-LEE8-E00	1	E09
14610-LBA2-E00	5	E03	<b>16000</b>			16131-LDB5-E00	5	E09
14611-LBA2-E00	3	E02				16132-KEC3-900	1	E09
14711-LDG7-900	1	E02	16012-LDB5-E00	6	E09	16133-LDB5-E00	3	E09
14721-LBA2-E00	1	E02	16019-LDB5-E00	4	E09	16134-LDB5-E00	3	E09
14751-LBA2-E00	1	E02	16035-LFE9-900	5	E09	16137-LDB5-E00	2	E09
14761-LDG7-900	1	E02	16051-KGC5-90A	4	E09	16142-KGC5-900	1	E09
14771-KED9-900	2	E02	16053-KEC3-900	0	E09	16165-KGC5-900	2	E09
14777-LBA2-E00	3	E02	16057-LDB5-E00	6	E09	16180-KGC5-900	2	E09
14781-MFA6-001	0	E02	16059-LDB5-E00	4	E09	16181-LDB5-E00	2	E09
			16069-LDB5-E00	3	E09	16911-LDB5-600	1	F10
<b>15000</b>			16070-KEC3-900	3	E09	16950-LDB5-600	3	F10
			16070-LDB5-E00	2	E09	16950-LDB5-610	1	F10
15100-LDB5-E00	5	E06	16079-LDB5-E00	1	E09	16951-LDB5-E00	2	F10
15133-LBA2-E00	2	E06	16087-LFE9-E00	0	E09	16952-LDB5-600	0	F10
15138-LDB5-E00	4	E06	16088-KEC3-900	1	E09	16952-LLB1-900	1	F10
15141-LDB5-E00	1	E06	16092-LDB5-E00	3	E09			
15200-KED9-900	7	E01	16093-KEC3-128	0	E09	<b>17000</b>		
1541A-LBA2-E00	2	E01	16095-KEC3-900	2	E09			
15421-1G07-001	1	E01	16100-LFE9-E00	8	E09	17104-LFE9-E00	1	E02
15421-LBA2-E00	2	E01	16105-LDB5-E00	2	E09	17113-LBA2-E00	2	E02
15426-GAE1-921	0	E01	16110-KGC5-900	1	E09	1711A-LFE9-E00	1	E02
15520-LDB5-E00	1	E01	16111-KHE7-900	1	E09	17200-LFE9-E00	6	F13



## PART NO. INDEX

PART NO.	VERSION	PAGE	PART NO.	VERSION	PAGE	PART NO.	VERSION	PAGE	
17214-LDB5-E00	2	F13	18310-LFE9-E00	4	F14	<b>19000</b>			
1721A-LDB5-E00	2	F13	18317-LFE9-E00	1	F14				
17231-LDB5-E00	3	F13	18318-LFE9-E00	2	F14				
1723A-LFE9-E00	0	F13	18320-LDB5-E00	2	F14		19005-LDB5-E00	3	F23
17246-LBA7-900	2	F13	18325-LDB5-E00	3	F14		19010-LDB5-E00	2	F23
17257-LDB5-E00	3	F13	18326-LDB5-E00	0	F14		19012-KHD8-900	4	F23
17265-LBA7-900	1	F13	18328-LDB5-E00	4	F14		19015-LBA2-E00	0	F23
17369-KDB4-671	1	F24	18371-LBA2-E00	2	F14		19020-LBA2-E00	0	F23
17369-KHC4-900	0	F13	18391-LBA2-E00	1	F14		19030-LDB5-E00	2	F23
17500-LDB5-E00	8	F10	18532-6D34-671	0	F13		19101-LFE9-E00	0	F23
17522-LLB1-900	1	F10	18601-KBE2-900	4	E02		19102-ALC1-E00	2	F23
17524-LLB1-900	1	F10	18612-KFB5-900	1	E02		19104-LDB5-E00	1	F23
17550-LDB5-E00	2	F10	18613-LDB5-E00	2	E02		19105-LDB5-E00	2	F23
17560-LDB5-600	1	F12	18618-LLF5-90A	2	F24		19111-GBE2-004	1	F23
1760A-LDB5-600	2	F10	18618-LLF5-90B	1	F24		19200-LEE8-E00	2	E04
1763A-LDB5-MY0	1	F10	18645-LBA2-E00	1	E02		19210-KKC4-900	0	F23
17700-LDB5-E00	2	F05	18646-GFY6-941	0	E02		19211-LEE8-E00	1	E04
17705-LDB5-E00	2	F05	18647-LBA2-E00	4	E02	19215-LBA2-E00	2	E04	
17720-LBA7-900	1	F05	18659-LDB5-E00	0	F13	19217-6G57-024	0	E04	
17910-LDB5-E00	3	F03	1880A-LBA2-E0A	2	F24	19221-LEE8-E00	1	E04	
17957-LDB5-600	0	F10	1880A-LBA2-E0B	2	F24	19229-LDB5-E00	1	E04	
<b>18000</b>			18812-LDB5-E00	1	F24	19231-LBA2-E00	5	E04	
			18813-LDB5-E00	1	F24	19232-LBA2-E00	2	E04	
			18814-LDB5-E00	1	F24	19300-LBA2-E00	1	E04	
						19310-LDB5-E00	2	E04	
18291-LBA2-E00	3	F14							
1830A-LFE9-E00	8	F14							
						19315-LBA2-E00	2	E04	

## PART NO. INDEX

PART NO.	VERSION	PAGE	PART NO.	VERSION	PAGE	PART NO.	VERSION	PAGE
19316-LFE9-E00	0	E04	2261A-LDB5-900	2	E05	23510-LDB5-900	2	E07
19317-LBA2-E00	1	E04	22631-LDB5-E00	0	E05	23518-LDB5-E00	2	E08
19318-LDB5-E00	2	E04	22641-LDB5-E00	2	E05	23519-LDB5-E00	2	E08
19502-LEE8-E00	1	E04	2266A-LDB5-910	2	E05	23610-LDB5-E00	1	E07
19504-LBA2-E00	3	E04				23611-LDB5-E00	8	E07
19504-LDB5-E00	3	E04	<b>23000</b>			23612-LDB5-E00	3	E07
19505-LBA2-E00	4	E04				23613-LDB5-E00	7	E07
19505-LBA2-E00	4	F23	23010-LFE9-E00	4	E05	23614-LDB5-E00	6	E07
19505-LDB5-E00	4	E04	23100-LDB5-E00	2	E05	2362A-LDB5-E00	1	E01
19505-LDB5-E00	4	F23	23200-LDB5-E00	3	E05			
19506-LDB5-E00	1	F23	23201-LDB5-E00	0	E05	<b>24000</b>		
19507-LBA2-E00	1	E04	23210-LDB5-E00	4	E08			
19507-LDB5-E00	1	E04	23220-LDB5-E00	2	E05	24211-LDB5-E00	4	E07
19523-LDB5-E00	2	E04	23225-LDB5-E00	0	E05	24221-LDB5-E00	2	E07
<b>22000</b>			23233-LFE9-E00	3	E05	24241-LDB5-E00	1	E07
			23237-LDB5-E00	1	E05	24242-LDB5-E00	4	E07
			23238-LDB5-E00	1	E05	24251-LDB5-E00	4	E07
22102-LDB5-E00	3	E05	2341A-LDB5-900	2	E07	24305-LDB5-E00	2	E07
22105-LDB5-E00	3	E05	23421-LDB5-E00	4	E07	2431A-LDB5-E00	4	E07
22110-LDB5-E00	5	E05	23431-LDB5-E00	4	E08	24610-LDB5-E00	4	E07
22121-LFE9-E00	2	E05	23450-LDB5-E00	2	E07	24651-LDB5-E00	4	E07
22127-LDB5-E00	0	E05	2345A-LDB5-E00	4	E08	24700-LFE9-E00	2	F15
22128-LDB5-E00	0	E05	23471-LDB5-E00	3	E07	24701-LDB5-E00	2	E07
22131-LDB5-E00	3	E05	23473-LDB5-E00	2	E07	24702-LDB5-E00	4	F15
22132-LDB5-E00	2	E05	23481-LDB5-E00	3	E07	24703-LDB5-E00	5	F15
22402-LDB5-E00	0	E05	23500-LDB5-E00	2	E07	24704-LBA7-900	4	F15

## PART NO. INDEX

PART NO.	VERSION	PAGE	PART NO.	VERSION	PAGE	PART NO.	VERSION	PAGE
24705-LDB5-E00	3	F15						
24706-LDB5-E00	1	F15	<b>31000</b>			<b>33000</b>		
24707-LDB5-E00	7	F15						
24710-LDB5-E00	2	F15	31110-LDB5-E01	2	E06	33100-LDB5-E00	2	F01
24711-LDB5-E00	3	F15	31110-LDB5-E0D	1	E06	33110-LDB5-E00	0	F01
24721-LDB5-E00	1	F15	31120-LDB5-E01	5	E06	33120-LDB5-E00	0	F01
24781-LCA5-E00	2	F15	31120-LDB5-E0D	5	E06	33130-LDB5-E00	0	F01
			31210-LBA2-E00	4	E06	33150-LDB5-E00	2	F01
<b>28000</b>			31350-LDB5-E0A	2	E01	33400-LCA5-E00	2	F19
			31500-LDB5-E0A	4	F11	33401-LCA5-E00	0	F19
28100-LDB5-E00	2	E06	31500-LDB5-E0B	4	F11	33450-LCA5-E00	2	F19
28100-LKA8-E00	2	E06	31600-LDB5-E00	5	F21	33451-LCA5-E00	0	F19
28103-LDB5-E00	3	E06	31601-LDB5-E00	4	F21	33700-LCA5-E00	4	F20
28110-LDB5-E00	1	E06	31700-KEC8-E00	1	F21	33701-LCA5-E00	0	F20
28110-LKA8-E00	2	E06	3195A-LBA7-E00	1	F21	33706-GCN3-67A	0	F20
28120-KKE5-E00	1	E06				33709-KBAB-003	0	F20
28210-LDB5-E00	4	E04	<b>32000</b>			33710-LCA5-E00	0	F20
28310-LDB5-E00	1	E04				33715-LCA5-E00	0	F20
			32100-LFE9-900	3	F21	33720-LCA5-E00	2	F20
<b>30000</b>			32100-LFE9-E00	3	F21	33725-KHB4-E00	0	F20
			32101-LLB1-800	1	F21	33726-LCA5-E00	0	F20
30400-LFE9-E00	1	F21	32161-4D04-001	2	F03	33740-LCA5-E00	1	F20
3051A-LDB5-E00	3	F21	32410-LDB5-E00	2	E06	33745-LCA5-E00	1	F20
30700-LDB5-E00	2	F21	32411-LDB5-E00	2	F21	33750-LCA5-E00	4	F20
			32412-LDB5-E00	5	E04	33751-LCA5-E00	0	F20

## PART NO. INDEX

PART NO.	VERSION	PAGE	PART NO.	VERSION	PAGE	PART NO.	VERSION	PAGE
<b>34000</b>			<b>37000</b>			<b>40000</b>		
34901-KFA6-900	0	F01	37200-LFE9-E0A	1	F02	40210-LFE9-E00	6	E08
34903-KPCP-900	0	F01	37720-KGB5-900	0	E02	40215-LFE9-E00	0	E08
34903-KPCP-900	0	F20	37750-PAC1-005	0	E02	4040A-LDB5-E00	6	E08
34905-LBA7-E00	0	F19	37760-KHD8-900	0	F23	40410-LFE9-E00	5	E08
34905-LCA5-E00	0	F20	37801-LAB4-910	1	F10	40415-LDB5-E00	1	E08
34906-KPCP-900	0	F20	3780A-LDB5-E00	2	F10	40420-LFE9-E00	0	E08
						40441-LFE9-E00	3	F18
<b>35000</b>			<b>38000</b>			<b>41000</b>		
35010-LCA5-90A	2	F21	38110-LDB5-E00	1	F21			
35010-LCA5-E0A	2	F21	38200-KEBE-900	0	F21	41300-LFE9-E00	5	F16
35111-LCA5-325-M1	0	F29	38300-LBC6-90A	2	F21	41310-LFE9-E00	0	F16
35111-LCA5-326-M1	0	F29	38500-LGL3-90A	4	F21	41320-LFE9-E00	0	F16
35111-LLB1-327-M1	0	F29	38500-LGL3-90C	3	F21	41405-LEE8-E00	2	F16
35111-LLB1-328-M1	0	F29	38773-PKB9-001	0	F23	41421-LEE8-E00	3	F16
3515A-LFE9-E00	2	F03				41431-LEE8-E00	3	F16
3520A-LDB5-E00	1	F03	<b>39000</b>			41436-LCD9-E00	2	F16
35340-LDB5-900	0	F04				41437-LCD9-E00	2	F16
35350-KNBN-901	0	F04	39100-LBA7-E00	1	F21	41447-LDB5-E00-A	2	F16
35350-PWA2-900	1	F15	39300-LFE9-E00	0	F27	41447-LDB5-E00-B	2	F16
35357-LDB5-E00	3	F15	39300-LKC3-500	4	F27-1	41447-LDB5-E00-C	2	F16
35759-LDB5-E00	4	E01				41547-LEE8-E00	2	F16
35850-LDB5-E00	1	F21				41548-LEE8-E00-A	2	F16

## PART NO. INDEX

PART NO.	VERSION	PAGE	PART NO.	VERSION	PAGE	PART NO.	VERSION	PAGE
41548-LEE8-E00-B	2	F16	42408-LKC3-500	0	F27-1	42428-LKC3-500	1	F27-1
41548-LEE8-E00-C	2	F16	42408-PWB1-900	1	F27	42430-LKC3-500	3	F27-1
<b>42000</b>			42409-LKC3-500	1	F27-1	42430-PWB1-900	1	F27
			42409-PWB1-900	1	F27	42432-LEE8-810	0	F27-1
			42410-LFA5-900	3	F27-1	42432-LFE9-E00	0	F27
42200-ALC1-E00	3	F28-1	42412-LFA5-900	1	F27-1	42442-LEE8-900	3	F27
42200-LFE9-E00	5	F08	42413-LKC3-500	0	F27-1	42442-LKC3-500	1	F27-1
42200-LFE9-E00	5	F28	42413-PWB1-900	1	F27	42448-LFA5-900	1	F27-1
42208-ALC1-305	0	F28-1	42414-LKC3-500	1	F27-1	42448-PWB1-900	1	F27
42208-LEE8-305	0	F28	42414-PWB1-900	1	F27	42449-LFA5-900	2	F27-1
42209-ALC1-305	0	F28-1	42415-LKC3-500	0	F27-1	42449-PWB1-900	1	F27
42209-LEE8-305	0	F28	42415-PWB1-900	1	F27	42451-LFA5-900	3	F27-1
42250-ALC1-E00	3	F28-1	42416-LKC3-500	1	F27-1	42453-LGC3-900	1	F27-1
42250-LFE9-E00	5	F08	42416-PWB1-900	1	F27	42453-PWB1-900	2	F27
42250-LFE9-E00	5	F28	42418-PWB1-900	1	F27	42456-LFA5-900	5	F27-1
42400-LFE9-900	1	F27	42419-LKC3-500	3	F27-1	42456-PWB1-900	1	F27
42400-LKA8-500	9	F27	42419-PWB1-900	1	F27	42460-LFA5-900	2	F27-1
42400-LKA8-500	9	F27-1	42421-PWB1-900	1	F27	42460-LKC3-500	1	F27-1
42401-LFA5-900	1	F27-1	42422-LFA5-900	3	F27-1	42461-LFA5-900	2	F27-1
42401-PWB1-900	1	F27	42422-PWB1-900	1	F27	42461-LKC3-500	1	F27-1
42402-LFA5-900	2	F27-1	42423-LFA5-900	1	F27-1	42462-LFA5-900	2	F27-1
42402-PWB1-900	1	F27	42423-PWB1-900	1	F27	42462-LKC3-500	1	F27-1
42404-LFA5-900	2	F27-1	42424-PWB1-900	2	F27	42463-LFA5-900	2	F27-1
42404-PWB1-900	1	F27	42425-LEE8-900	2	F27	42463-PWB1-900	0	F27
42407-LFA5-900	1	F27-1	42425-LKA8-500	5	F27-1	42464-LFA5-900	2	F27-1
42407-PWB1-900	1	F27	42428-LFE9-E00	0	F27	42464-PWB1-900	0	F27

## PART NO. INDEX

PART NO.	VERSION	PAGE	PART NO.	VERSION	PAGE	PART NO.	VERSION	PAGE
42465-LFA5-900	2	F27-1	42710-LDB5-90B	2	F08	43530-LFE9-305	0	F04
42465-LKC3-500	2	F27-1	42750-LDB1-700	1	F09	43600-LDB5-E00	3	F04
42465-PWB1-900	0	F27	42753-KNBN-90B	1	F07			
42466-LFA5-900	2	F27-1	42753-KNBN-90B	1	F08	<b>44000</b>		
42466-LKC3-500	3	F27-1	<b>43000</b>			44200-ALC1-900	2	F07
42466-PWB1-900	0	F27				44200-ALC1-900	2	F28
42467-LFA5-900	2	F27-1				44200-ALC1-900	2	F28-1
42467-PWB1-900	0	F27	43100-LFE9-E00	4	F08	44200-LFE9-E00	3	F07
42472-LFE9-E00	0	F27	43105-LEE8-305	0	F08	44200-LFE9-E00	3	F28
42472-LKC3-500	3	F27-1	43105-LFE9-305	0	F08	44208-ALC1-305	0	F28-1
42488-LEE8-E00	0	F27-1	43110-LFE9-305	0	F08	44208-PWB1-305	0	F28
42491-LEE8-900	1	F27	43125-LFE9-E00	2	F04	44209-ALC1-305	0	F28-1
42491-LEE8-E00	1	F27-1	43127-LFE9-E00	1	F04	44209-ALC1-E00	0	F28
42494-LEE8-900	0	F27	43200-LFE9-E00	3	F08	44209-PWB1-305	0	F28
42494-LEE8-E00	0	F27-1	43209-KKC4-900	0	F08	44209-PWB1-900	0	F28
42495-LEE8-900	0	F27	43210-LFE9-305	0	F08	44210-ALC1-E00	0	F28-1
42495-LEE8-E00	0	F27-1	43350-LFE9-E00	3	F18	44210-PWB1-900	0	F28
42496-LEE8-900	0	F27	43351-LEE8-E00	4	F18	44211-ALC1-E00	0	F28-1
42496-LEE8-E00	0	F27-1	43352-KKD6-E90	1	F07	44211-PWB1-900	0	F28
42497-LEE8-900	0	F27	43352-KKD6-E90	1	F08	44213-PWB1-900	0	F28
42497-LEE8-E00	0	F27-1	43353-4A61-77A	0	F07	44213-PWB1-900	0	F28-1
42498-LEE8-900	0	F27	43353-4A61-77A	0	F08	44214-PWB1-900	0	F28
42498-LEE8-E00	0	F27-1	43450-LFE9-E00	4	F04	44214-PWB1-900	0	F28-1
42705-LFE9-E00	2	F08	43500-LFE9-E01	1	F15	44215-PWB1-900	0	F28
4270A-LFA5-E01	3	F08	43505-LDB5-E00	0	F15	44215-PWB1-900	0	F28-1
42710-LDB5-90A	2	F08	43514-4E45-77A	0	F15			

## PART NO. INDEX

PART NO.	VERSION	PAGE	PART NO.	VERSION	PAGE	PART NO.	VERSION	PAGE
44216-LEE8-E00	0	F28	45128-LFE9-E01	2	F04	46501-LFE9-E00	0	F15
44216-LEE8-E00	0	F28-1	45130-LFE9-E00	2	F04	46502-LDB5-E00	2	F15
44216-PWB1-900	0	F28	45132-LBA7-900	1	F04	46503-KCW3-001	0	F15
44216-PWB1-900	0	F28-1	45133-LBA7-900	0	F08	46503-LDB5-E00	2	F15
44219-ALC1-E00	0	F28-1	45200-LFE9-E00	4	F07	46514-LDB5-E00	2	F15
44219-PWB1-900	0	F28	45209-KFA6-900	0	F08			
44250-ALC1-900	2	F07	45209-LFE9-E00	0	F07	<b>47000</b>		
44250-ALC1-900	2	F28	45230-LBA7-900	0	F08			
44250-ALC1-900	2	F28-1	45352-LBA7-900	0	F08	47215-KHD6-900	0	F15
44250-LFE9-E00	3	F07	45353-LBA7-900	0	F08	47216-LFE9-900	0	F15
44250-LFE9-E00	3	F28	45513-KKC4-900	0	F04	47400-PWB1-900	4	F06
44705-LFE9-E00	1	F07	45517-KFAF-910	0	F04	47410-LDB5-E00	2	F07
4470A-LFA5-E01	2	F07	45517-LDE9-E00	0	F04	47410-LDB5-E00	2	F08
44710-LDB5-90A	2	F07	45520-KKC4-900	0	F04	47452-PWB1-900	2	F17
44710-LDB5-90B	2	F07	45525-LBA7-900	0	F04	47453-PWB1-900	2	F17
<b>45000</b>			45526-LBA7-900	0	F04	47500-PWB1-900	4	F06
			45527-LBA7-900	0	F04	47550-PWB1-900	4	F17
			45530-LDB5-305	1	F04			
45100-LFE9-E00	4	F07	45531-GAR1-951	0	F07	<b>50000</b>		
45105-LFE9-305	0	F07	45531-GAR1-951	0	F08			
45108-LBA7-900	0	F08	45531-LBA7-900	0	F08	50100-LFE9-E00	8	F22
45109-KKC4-900	0	F08	<b>46000</b>			50166-LDB5-E00	1	F22
45110-LFE9-E00	0	F07				50218-LDB5-E00	9	F22
45121-PWB1-900	2	F07				50612-LDB5-E00	4	F12
45124-LFE9-E00	2	F04	46182-5L00-014	2	F15	50614-LDB5-E01	1	F22
45127-LFE9-E00	2	F04	46500-LFE9-E00	1	F15	50615-LDB5-E01	1	F22

## PART NO. INDEX

PART NO.	VERSION	PAGE	PART NO.	VERSION	PAGE	PART NO.	VERSION	PAGE
50713-LDB5-E00	1	F15	53178-KEBE-900	0	F04	53703-ALC1-E00	0	F06
<b>51000</b>			53190-LDE9-E00	0	F04	53703-LBA7-900	1	F15
			53192-LDE9-E00	0	F04	53703-LFE9-E00	2	F06
			53193-LDE9-E00	0	F04	<b>54000</b>		
51400-LFE9-E00	2	F06	53194-LDE9-E00	0	F04			
<b>52000</b>			5319A-LDE9-E00	3	F04			
			53200-LFE9-E00	5	F06	54400-LFE9-E00	4	F17
			53205-LDB5-E00	3	F03	54450-LFE9-E00	4	F17
52101-LFE9-E00	0	F18	53250-PWB1-900	1	F06	54500-LFE9-E00	4	F17
52103-PWB1-900	2	F06	53251-LCA5-E00	1	F06	54550-LFE9-E00	4	F17
52103-PWB1-900	2	F17	53252-LBA7-900	4	F06	54600-LFE9-E00	1	F17
52104-PWB1-900	2	F06	53254-LBA7-900	3	F06	54601-LFE9-E00	1	F17
52104-PWB1-900	2	F17	53261-PWB1-900	3	F06	54602-LFE9-E00	1	F17
52108-PWB1-900	3	F06	53400-LFE9-E00	6	F06	54610-LFE9-E00	1	F17
52108-PWB1-900	3	F17	53410-PRB1-900	4	F06	54620-LFE9-E00	1	F17
52144-PWB1-900	2	F06	53450-LFE9-E00	4	F06			
52144-PWB1-900	2	F17	53500-LFE9-E00	6	F06	<b>60000</b>		
52400-LFE9-E00	3	F17	53550-LFE9-E00	4	F06			
<b>53000</b>			53600-KKAK-E0A	1	F21	60100-LDB5-E00	5	F05
			53700-ALC1-900	1	F06	60103-LFE9-E00	2	F05
			53700-LFE9-E00	2	F06	60108-LDB5-E00	2	F05
53100-LFE9-E00	2	F03	53701-ALC1-E00	0	F06	6010B-LDB5-E00	2	F05
53102-LFE9-E00	1	F03	53701-LFE9-E00	0	F06	6010C-LDB5-E00	3	F05
53131-4K39-001	0	F03	53702-ALC1-E00	0	F06	60120-LDB5-E01	1	F05
53166-LDB5-E00	0	F03	53702-LBA7-900	1	F15	60130-LFE9-E01	0	F05
53175-LDB5-305	0	F04	53702-LFE9-E00	2	F06	60140-LFE9-E01	0	F05



## PART NO. INDEX

PART NO.	VERSION	PAGE	PART NO.	VERSION	PAGE	PART NO.	VERSION	PAGE
60200-LDB5-E01	1	F05						
<b>61000</b>			<b>77000</b>			<b>81000</b>		
61104-3G57-001	0	F10	77200-LFE9-E00	0	F09	81200-LDB5-E01	1	F12
61200-LDB5-E01	1	F05	77206-KEB7-900	0	F09	81202-LDB5-E00	1	F22
61300-LDB5-E01	1	F05	77206-LBA7-900	1	F09	81300-LDB5-E01	1	F12
61344-LDB5-E00	1	F23	77301-LDB5-E00	3	F09			
61345-LFE9-E00	2	F23	77303-LDB5-E00	1	F09	<b>83000</b>		
<b>64000</b>			77305-LDB5-E00	1	F09	83500-LDB5-E01	2	F12
64300-LFE9-E01	1	F05	77330-LDB5-E00	4	F22	83551-LDB5-E00	1	F05
64302-LDB5-E01	1	F05	7734A-LDB5-E01	1	F12	83600-LDB5-E01	1	F12
6430A-LDB5-E00	1	F05	77430-LDB5-E00	2	F22	83605-LDB5-E00	1	F12
64317-LDB5-E00	5	F23	<b>80000</b>			83606-LDB5-E00	1	F12
64318-LDB5-E00	1	F23	80100-LDB5-E00	8	F12	83620-LDB5-E00	1	F22
64330-LFE9-E00	2	F05	80110-LBA7-900	1	F12	83620-LFE9-E00	1	F22
64340-LFE9-E01	1	F05	80110-LDB5-900	1	F05	<b>84000</b>		
<b>70000</b>			80110-LDB5-900	1	F12	84703-LLB1-900	1	F03
70529-6G57-671	0	F12	80115-LDB5-900	1	F05	84703-LLB1-900	1	F22
			80115-LDB5-900	1	F12	84703-LLB1-900	1	F23
			80121-LDB5-E01	1	F12	<b>85000</b>		
			80122-LDB5-E01	1	F12	85100-LFE9-E00	1	F22
			8013A-LFE9-E00	6	F12			
			80200-LDB5-E01	1	F12			

## PART NO. INDEX

PART NO.	VERSION	PAGE	PART NO.	VERSION	PAGE	PART NO.	VERSION	PAGE
85101-LCA5-E00	2	F22				90033-GFY6-900	1	E02
			<b>88000</b>			90071-MLB0-001	0	E06
						90083-KED9-900	2	E02
			88110-LBA7-E00	1	F03	90084-4H28-001	0	E02
86102-LDB5-900	2	F26	88120-LBA7-E00	1	F03	90084-4H28-001	0	E04
86102-LDB5-900	3	F26				9008A-LDB5-E00	1	E04
86223-LFE9-E61	0	F26	<b>89000</b>			9008A-LKC3-500	1	F27-1
86233-LFE9-E61	1	F26				90101-LCA5-E00-06	2	F15
86302-LDB5-E00	1	F26	89010-LFE9-E00	4	F09	90103-LDB5-E00	0	F14
86303-LDB5-E00	2	F26	89020-KKC4-900	1	F09	90104-LDB5-E00	0	F14
			<b>90000</b>			90105-LFA5-E01	1	F07
						90105-LFA5-E01	1	F08
						90110-LFA5-900	1	F27-1
87322-LBA7-E00	3	F25	90001-GBHB-661	3	E03	90110-PWB1-900	1	F12
87503-LDB5-900	2	F26	90001-GBHB-661	3	E06	90112-LBD4-800	1	F18
87505-LFE9-E01	1	F25	90001-GFY6-901	4	E01	90114-1F66-007	2	F04
87514-LFE9-E02	2	F25	90001-LBA2-E00	3	E02	90114-1F66-007	2	F15
87515-LDB5-E01	2	F25	90002-LBA2-E00	2	E02	90122-KEBE-900	2	F08
87517-LDB5-E00	2	F25	90004-LBA2-E00	3	E01	90131-KEBE-900	2	F08
87529-LFE9-M30	1	F25	90005-KED9-900	2	E03	90131-LDB5-E00	1	F07
87532-LBE8-900	2	F26	9000A-KTDT-900	1	E01	90133-LDB5-E00	1	E01
87532-LCA5-900	1	F26	90011-KED9-900	1	E02	90145-LBA2-E00	2	F04
87556-LDB5-E00	1	F25	90012-3C33-001	1	E02	90145-MKS9-61A-06	1	F04
87556-LDB5-E01	2	F25	90017-KED9-900	3	E02	90164-0H28-900	2	F21
			90031-LBA2-E00	3	E02	90201-KHR8-75A	1	E04
			90032-LBA2-E00	3	E02	90202-LDB5-E00	3	E05

## PART NO. INDEX

PART NO.	VERSION	PAGE	PART NO.	VERSION	PAGE	PART NO.	VERSION	PAGE
90203-LDB5-E00	5	E05	90317-LDB5-E00	1	E08	90478-7L00-001	0	E04
90203-LDB5-E00	5	E08	90318-LDB5-E00	1	E08	90488-7L00-001	0	E02
90205-LDB5-E00	3	E05	90319-LDB5-E00	1	E08	90501-3L10-001	0	F15
90206-0A01-001	2	E02	90320-LDB5-E00	1	E08	90501-LDB5-E00	2	E05
90242-LDB5-E00	2	F16	90321-LDB5-E00	1	E08	9052A-LDB5-E00	2	E01
90243-LDB5-E00	2	E01	90322-LDB5-E00	1	E08	90541-KED9-900	1	E02
90301-6C93-001	1	F22	90401-KKJ9-001	0	E04	90545-3L00-001	2	F04
90301-LDB5-E00	3	F07	90403-KED9-900	2	E02	90605-KED9-900	2	E07
90301-PWB1-900	4	F08	90405-LDB5-E00	6	E05	90651-LCA5-E00	1	F01
90302-GBR2-001	1	F10	90406-LDB5-E00	1	E05	90651-LCA5-E00	1	F12
90302-GBR2-001	1	F15	90407-LBA2-E00	3	E01	90651-LFE9-E00	0	F13
90302-GFY6-940	1	F03	90407-LDB5-E00	0	E01	90652-LBA2-E00	1	E02
90302-LLB1-E00-06	2	F15	90408-LDB5-900	3	E05	90652-LCA4-E00	1	F05
90302-PWA1-900	2	F05	90421-KAM1-004	0	F18	90652-LCA4-E00	1	F12
90302-PWA1-900	2	F12	90428-9H58-001	0	E04	90652-LCA4-E00	1	F23
90304-GHE8-004	0	F06	90433-KAE1-001	0	E07	90652-LDB5-900	3	F12
90304-GHE8-004	0	F17	90441-LDB5-E00	3	E01	90652-LDB5-E00	3	F23
90304-GHE8-004	0	F22	90443-LDB5-E00	2	E01	90652-LLJ3-E00	0	F13
90305-GHK8-001	1	F05	90451-LDB5-E00	1	E07	90653-LDB5-E00	3	F23
90306-KLF0-004-SY	1	E01	90452-KED9-900	2	E07	90654-LDB5-E00	2	F13
90311-LDB5-E00	1	E08	90454-1G07-001	0	E07	90655-PWA2-900	1	F05
90312-LDB5-E00	1	E08	90465-LBA2-E00	1	E02	90655-PWA2-900	1	F12
90313-LDB5-E00	1	E08	90465-MDC4-001	0	E01	90656-KCBC-900	0	F03
90314-LDB5-E00	1	E08	90474-3C33-001	1	E01	90677-GAR1-004	1	F05
90315-LDB5-E00	1	E08	90474-3C33-001	1	F16	90677-GAR1-004	1	F12
90316-LDB5-E00	1	E08	90478-7L00-001	0	E03	90680-LBA2-E00	1	E02

## PART NO. INDEX

PART NO.	VERSION	PAGE	PART NO.	VERSION	PAGE	PART NO.	VERSION	PAGE	
90701-9E65-001	0	E01	91301-LDB5-E00	1	E04	<b>93000</b>			
90701-LDB5-E00	4	E03	91302-0A01-021	0	E01				
90750-LDB5-E00	3	E01	91302-0A01-021	0	F16				
90914-KED9-900	3	E02	91302-LBA2-E00	1	E04		93404-06012-06	0	F13
90914-LFE9-E00	0	F23	91302-LDB5-E00	2	E08		93404-06012-06	0	F15
<b>91000</b>			91303-3G77-001	0	E02	93404-06012-06	0	F23	
			91303-3G77-001	0	E04	93404-06016-06	0	F05	
			91305-GLE0-001	0	E01	93404-06016-06	0	F12	
			91306-1E05-691	0	E03	93404-06016-06	0	F22	
			91307-0E35-001	0	E04	93404-06016-06	0	F23	
91001-KHV8-004	0	E01	91308-KED9-900	1	E02	93404-06020-06	1	F05	
91005-LDB5-E00	1	E01	91309-4E25-004	0	E06	93404-06020-06	1	F12	
91021-LDB5-E00	2	E07	91313-KED9-900	3	E01	93406-LLB1-900	0	F03	
91106-LDB5-E00	1	E05	91351-LDB5-E00	1	E05	93500-04010-06	0	E09	
91107-LDB5-E00	0	E08	91407-SGA7-004	0	F10	93500-05012-0F	0	E09	
91108-LEE8-E00	1	F16	91508-KGV7-67A	0	F20	93500-05016-0F	0	F10	
91202-KGB4-C00	1	E04	91509-LDB5-E00	5	E01	93600-04012-1G	0	F04	
91206-LDB5-E00	0	E01	<b>92000</b>			93600-LDE9-E00	0	F04	
91211-LDB5-E00	1	E05					93891-04012-06	0	E09
91212-4B22-007	0	F15					93891-04030-08	0	E09
91251-LEE8-E00	3	F16					93892-04008-16	0	E09
91255-LDB5-E00	1	E01		92101-05012-0G	0	E06	93892-04012-06	0	E09
91256-LDB5-E00	1	E01	92201-05025-0G	0	E04	93893-04012-18	0	F04	
91257-LDB5-E00	2	E04	92712-06028-0B	2	E02	93893-04012-18	0	F15	
91258-LDB5-900	1	E05				93903-34360	0	F05	
91261-LDB5-E00	2	E01				93903-34360	0	F12	
91261-LEE8-E00	3	F16							
91271-LEE8-E00	3	F16							

## PART NO. INDEX

PART NO.	VERSION	PAGE	PART NO.	VERSION	PAGE	PART NO.	VERSION	PAGE
93903-35260	0	F05	94050-06080	0	F21	94301-08140	0	E06
93903-35260	0	F20	94050-06080	0	F22	94301-10120	0	F18
93903-35360	0	F01	94050-08060	0	F22	94301-10160	0	E02
93903-35360	0	F02	94050-08080	0	F15	94301-12200	1	E02
93903-35360	0	F05	94050-08080	0	F22	94301-12200	1	E03
93903-35360	0	F12	94050-LDE9-E00	1	F12	94510-05000	0	F27-1
93903-35360	0	F19	94101-06200	0	F14	94510-10000	0	E06
			94101-06700	0	F14	94510-12000	0	F27-1
<b>94000</b>			94101-06800	0	F12	94510-14000	0	E04
			94101-08600	0	F22	94510-20000	0	E02
94001-08080-0S	0	F14	94101-10800	0	F18	94510-25000	0	E07
94001-08080-0S	0	F15	94101-LBA2-E00	1	F14	94510-PWB1-900	0	F06
94001-12080	0	F06	94101-LDB5-E00	0	F14	94520-47000	0	E04
94001-LBA7-900	1	F15	94101-PWB1-900	1	F06	94520-55000	0	F17
94001-LGC7-E00	0	F06	94102-14800	0	F15	94520-65000	1	E01
94001-PWB1-700	0	F06	94102-LDB5-E00	1	F15	94540-07017	1	E05
94001-PWB1-800	0	F06	94111-06800	0	F14	94540-12028	0	E07
94011-LKA8-E00	1	F06	94111-08800	0	F15	94540-50029	0	E09
94011-PWB1-900	1	F07	94201-20120	0	F15	94591-27000	0	F05
94011-PWB1-900	1	F08	94201-25250	0	F06	94591-27000	0	F12
94050-05080	0	F20	94201-25300	0	F15	94591-KFBF-900	2	E04
94050-06060	0	F04	94201-30400	0	F07	94601-22000	1	E03
94050-06060	0	F15	94201-30400	0	F08			
94050-06080	0	E02	94301-08140	0	E01	<b>95000</b>		
94050-06080	0	F10	94301-08140	0	E04			
94050-06080	0	F12	94301-08140	0	E05	95002-02070	0	F23

## PART NO. INDEX

PART NO.	VERSION	PAGE	PART NO.	VERSION	PAGE	PART NO.	VERSION	PAGE
95002-02070	0	F24	95701-06015-08	0	F27	95801-08060-06	0	F06
95002-02090	0	E08	95701-06016-06	1	F15	95801-10030-06	0	F06
95002-02100	0	F05	95701-06016-06	1	F21	95801-10040-06	0	F06
95002-02100	0	F10	95701-06022-06	1	E02	95801-10040-06	0	F14
95002-02100	0	F23	95701-06022-06	1	F10	95801-10040-06	0	F17
95002-02130	0	F10	95701-06025-06	2	E02	95801-10065-06	0	F17
95002-02150	0	F13	95701-06040-06	0	E02	95801-10085-06	1	F06
95002-40950-08	0	E08	95701-06040-06	0	F04	95801-10085-06	1	F17
95002-41050-00	0	F16	95701-08012-06	0	E01	95801-10090-06	0	F22
95002-45000	0	F23	95701-08012-06	0	F16	95801-10095-06	0	F17
95002-70000	0	F10	95701-08016-06	0	F17	95801-10110-06	0	F22
95002-70000	0	F23	95701-08016-06	0	F22	95801-10195-06	0	F22
95002-KHE7-900	0	E04	95701-08020-06	1	F06	95801-KED9-900	2	E02
95002-KHE7-900	0	F23	95701-08020-06	1	F15	95802-PWB1-900	2	F06
95002-KKD6-E05	0	F24	95701-08020-06	1	F22	95802-PWB1-900	2	F17
95004-LBA7-900	0	F13	95701-08025-06	0	F18			
95005-PWB1-900	1	F16	95701-08028-06	1	F15	<b>96000</b>		
95008-PWB1-900	5	E08	95701-08030-06	0	F16			
95012-KKA7-900	1	F11	95701-08035-06	1	F18	96001-06010-02	0	E04
95701-06008-06	1	F14	95701-08040-06	0	F27	96001-06012-06	0	E01
95701-06010-06	1	E02	95701-08040-06	0	F27-1	96001-06012-06	0	E06
95701-06012-06	1	F04	95701-10020-06	0	F06	96001-06012-06	0	F14
95701-06012-06	1	F10	95701-10020-06	0	F18	96001-06014-06	0	E02
95701-06012-06	1	F14	95701-10035-06	0	F16	96001-06016-06	0	E01
95701-06012-06	1	F21	95701-LDB5-E00	1	F15	96001-06016-06	0	F21
95701-06012-06	1	F23	95801-08028-06	0	F15	96001-06018-06	0	E02

## PART NO. INDEX

PART NO.	VERSION	PAGE	PART NO.	VERSION	PAGE	PART NO.	VERSION	PAGE
96001-06018-06	0	E05	96100-62100-00	0	F16	98200-31500	0	F21
96001-06020-06	0	E04	96100-63030-00	0	E01	98200-33000	0	F21
96001-06020-06	0	F22	96100-63040-00	1	E01			
96001-06022-06	1	E05	96100-63050-00	0	F27			
96001-06022-06	1	F04	96100-63050-00	0	F27-1			
96001-06025-06	0	E01	96100-63060-00	0	E01			
96001-06025-06	0	E04	96100-64050-00	1	E01			
96001-06025-06	0	E05	96100-69060-00	1	E04			
96001-06030-06	0	E01	96104-LDB5-90A	1	E05			
96001-06032-06	0	E01	96104-LDB5-90B	1	E05			
96001-06032-06	0	E04	96105-LDB5-90C	0	E05			
96001-06032-06	0	E05	96106-LDB5-E00	1	E01			
96001-06032-06	0	E06	96107-LDB5-E00	1	E01			
96001-06035-06	0	E06	96120-60080-00	0	F27-1			
96001-06040-06	12	E01	96151-PWB1-900	2	F17			
96001-06040-06	12	E03	96211-08000	0	F15			
96001-06040-06	12	E04	96211-16000	2	E01			
96001-06040-06	12	E06	96600-08010-16	0	E01			
96001-06050-06	0	E01	96600-08015-16	0	E06			
96001-06080-06	1	E01	96600-08020-16	2	E01			
96001-06085-06	1	E01	96600-LDB5-E00	2	E01			
96001-06090-06	2	E01						
96001-06110-06	1	E01	<b>98000</b>					
96100-60080-00	0	F27						
96100-60090-00	2	F16	98059-57916-00	2	E02			
96100-62040-00	0	E01	98200-31000	1	F21			