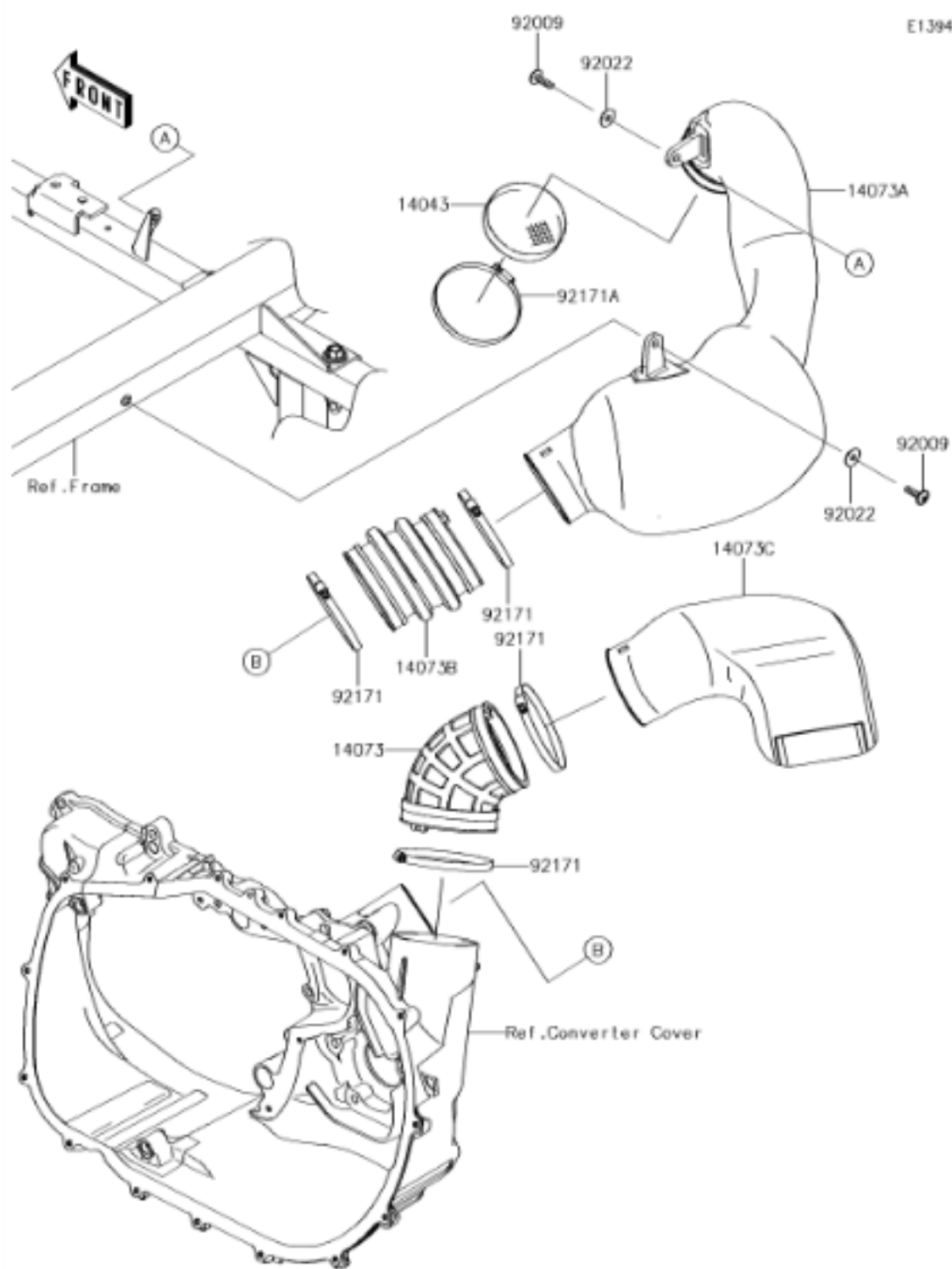


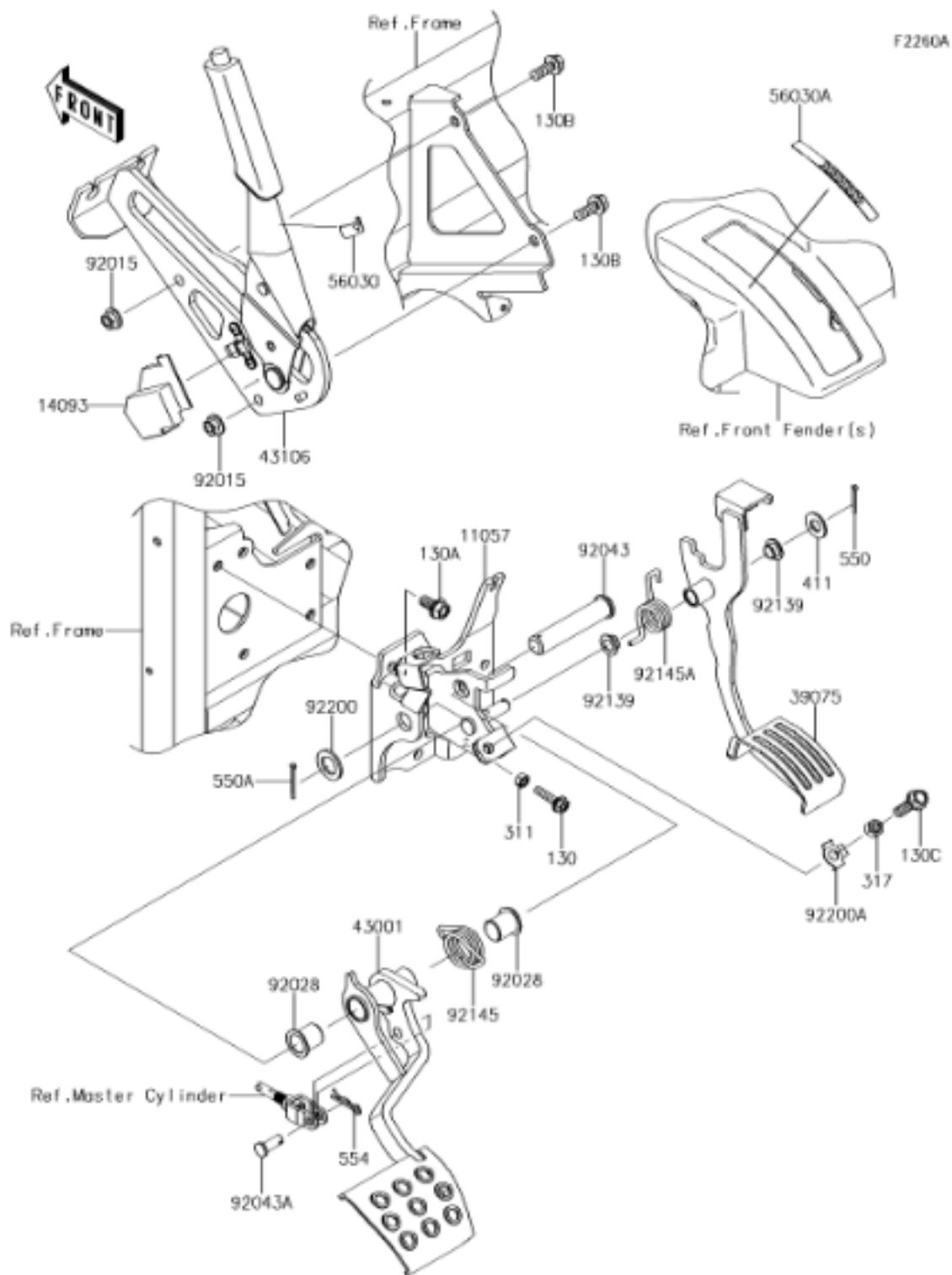
| Callout | Part Number | Description | Qty | Remarks | |
|---------|-------------|----------------------------|-----|---------|--|
| 130 | 130BA0614 | BOLT-FLANGED,6X14 | 1 | | |
| 11010 | 11010-0808 | FILTER-ASSY-AIR | 1 | | |
| 11011 | 11011-0813 | CASE-AIR FILTER,UPP | 1 | | |
| 11013 | 11013-1290 | ELEMENT-AIR FILTER | 1 | | |
| 11056 | 11056-3734 | BRACKET,AIR FILTER | 1 | | |
| 11061 | 11061-0961 | GASKET,ADAPTER | 1 | | |
| 14073 | 14073-0815 | DUCT,INTAKE | 1 | | |
| 14073A | 14073-0816 | DUCT,AIR CLEANER-RESONATOR | 1 | | |
| 14073B | 14073-0817 | DUCT,FUNNEL | 1 | | |
| 14073C | 14073-1775 | DUCT,JOINT | 1 | | |
| 16181 | 16181-0018 | TANK-RESONATOR | 1 | | |
| 41077 | 41077-0719 | ADAPTER,ELEMENT | 1 | | |
| 49006 | 49006-0555 | BOOT | 1 | | |
| 92009 | 92009-1154 | SCREW,5X12 | 1 | | |
| 92009A | 92009-1621 | SCREW,6X16 | 2 | | |
| 92022 | 92022-165 | WASHER,PLAIN,6MM | 2 | | |
| 92093 | 92093-0607 | SEAL,AIR FILTER | 1 | | |
| 92152 | 92152-0445 | COLLAR,6.5X10X5.6 | 1 | | |
| 92170 | 92170-1764 | CLAMP | 4 | | |

| Callout | Part Number | Description | Qty | Remarks | |
|---------|-------------|--------------------|-----|---------|--|
| 92171 | 92171-0225 | CLAMP | 4 | | |
| 92171A | 92171-0533 | CLAMP | 1 | | |
| 92172 | 92172-0009 | SCREW,TAPPING,5X20 | 1 | | |
| 92173 | 92173-1536 | CLAMP | 1 | | |
| 92173A | 92173-1537 | CLAMP | 1 | | |

E1394

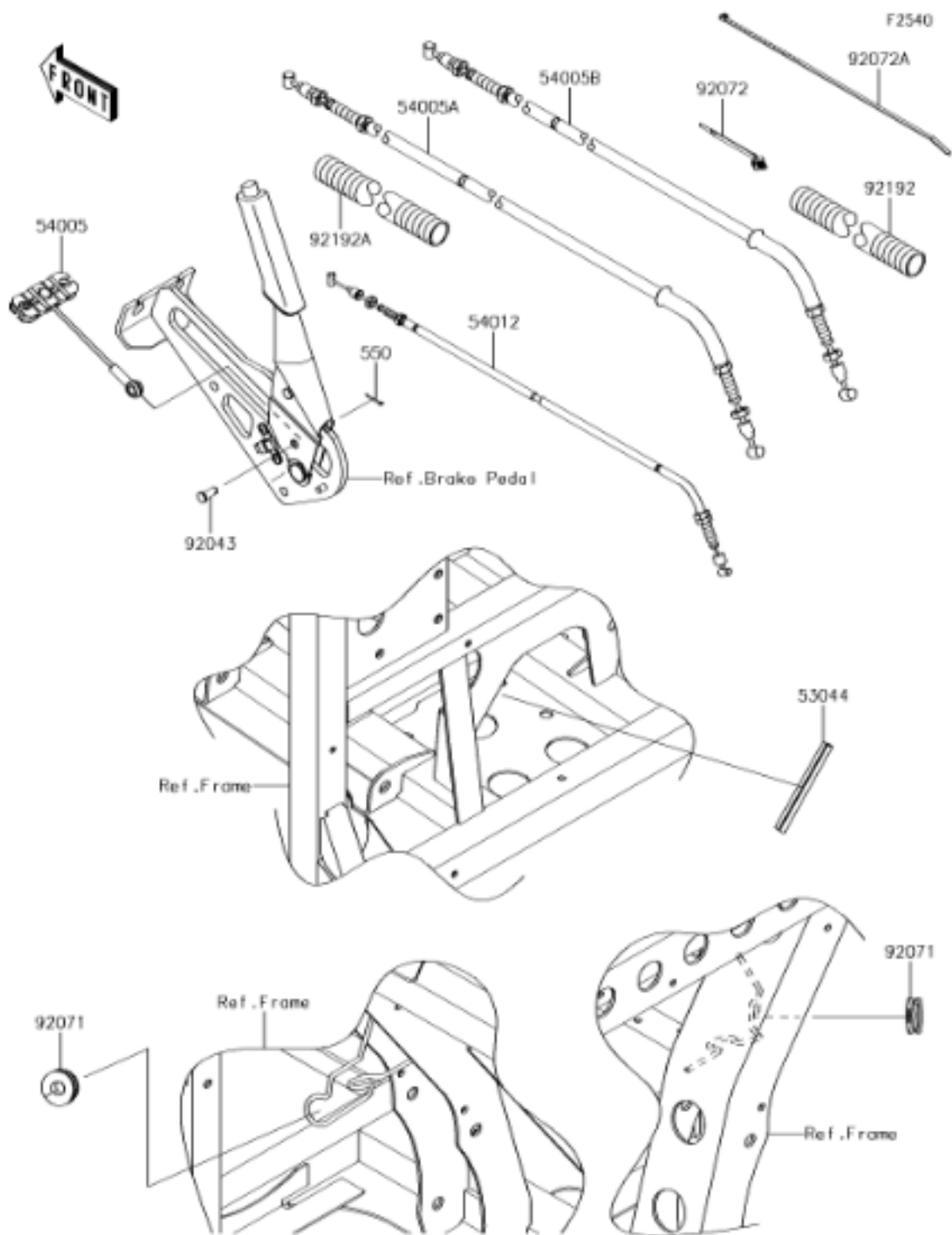


| Callout | Part Number | Description | Qty | Remarks | |
|---------|-------------|------------------|-----|---------|--|
| 14043 | 14043-0013 | FILTER | 1 | | |
| 14073 | 14073-0788 | DUCT,EXHAUST | 1 | | |
| 14073A | 14073-0789 | DUCT,INTAKE | 1 | | |
| 14073B | 14073-0790 | DUCT,INTAKE | 1 | | |
| 14073C | 14073-0793 | DUCT,EXHAUST | 1 | | |
| 92009 | 92009-1441 | SCREW,6X22 | 2 | | |
| 92022 | 92022-165 | WASHER,PLAIN,6MM | 2 | | |
| 92171 | 92171-1383 | CLAMP | 4 | | |
| 92171A | 92171-3716 | CLAMP | 1 | | |

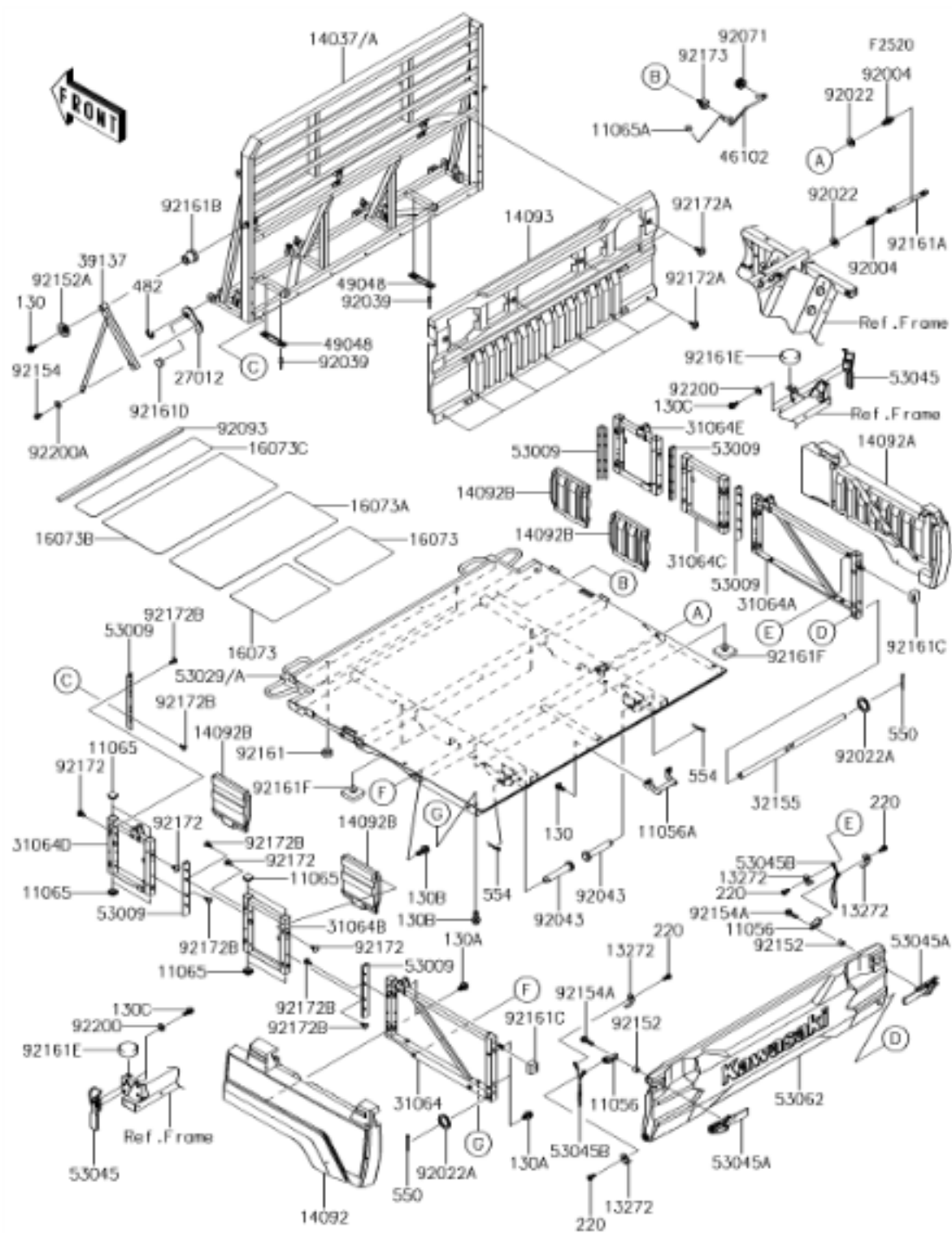


| Callout | Part Number | Description | Qty | Remarks | |
|---------|-------------|--------------------------|-----|---------|--|
| 130 | 130BA0625 | BOLT-FLANGED,6X25 | 1 | | |
| 130A | 130BA0818 | BOLT-FLANGED,8X18 | 5 | | |
| 130B | 130BA0820 | BOLT-FLANGED,8X20 | 2 | | |
| 130C | 130BA0830 | BOLT-FLANGED,8X30 | 1 | | |
| 311 | 311BA0600 | NUT-HEX,6MM | 1 | | |
| 317 | 317BA0800 | NUT-HEX-SMALL,8MM | 1 | | |
| 411 | 411AA1000 | WASHER-PLAIN,10MM | 1 | | |
| 550 | 550AA2518 | PIN-COTTER,2.5X18 | 1 | | |
| 550A | 550AA2525 | PIN-COTTER,2.5X25 | 1 | | |
| 554 | 554DA1000 | PIN-SNAP,10MM | 1 | | |
| 11057 | 11057-0727 | BRACKET,PARKING BRAKE | 1 | | |
| 14093 | 14093-0241 | COVER,PARKING BRAKE SW. | 1 | | |
| 39075 | 39075-0024 | LEVER-THROTTLE | 1 | | |
| 43001 | 43001-0752 | LEVER-BRAKE,FOOT | 1 | | |
| 43106 | 43106-0006 | LEVER-ASSY-PARKING BRAKE | 1 | | |
| 56030 | 56030-0905 | LABEL,ARROW | 1 | | |
| 56030A | 56030-0930 | LABEL,STROKE RANGE | 1 | | |
| 92015 | 92015-1406 | NUT,FLANGED,8MM | 2 | | |
| 92028 | 92028-1571 | BUSHING | 2 | | |

| Callout | Part Number | Description | Qty | Remarks | |
|---------|-------------|---------------------------|-----|---------|--|
| 92043 | 92043-0917 | PIN,16X78 | 1 | | |
| 92043A | 92043-1039 | PIN | 1 | | |
| 92139 | 92139-0230 | BUSHING | 2 | | |
| 92145 | 92145-1615 | SPRING,BRAKE PEDAL RETURN | 1 | | |
| 92145A | 92145-1768 | SPRING,RETURN,22X3.2 | 1 | | |
| 92200 | 92200-0043 | WASHER,16X26X2.3 | 1 | | |
| 92200A | 92200-0993 | WASHER,8.5X17X0.8 | 1 | | |



| Callout | Part Number | Description | Qty | Remarks | |
|---------|-------------|-----------------------------|-----|---------|--|
| 550 | 550AA2518 | PIN-COTTER,2.5X18 | 1 | | |
| 53044 | 53044-7502 | TRIM,L=111 | 1 | | |
| 54005 | 54005-0035 | CABLE-BRAKE,PARKING,FR | 1 | | |
| 54005A | 54005-0039 | CABLE-BRAKE,PARKING,LH | 1 | | |
| 54005B | 54005-0040 | CABLE-BRAKE,PARKING,RH | 1 | | |
| 54012 | 54012-0633 | CABLE-THROTTLE | 1 | | |
| 92043 | 92043-1039 | PIN | 1 | | |
| 92071 | 92071-0029 | GROMMET | 2 | | |
| 92072 | 92072-1414 | BAND,OS170-FT7(BLACK) | 9 | | |
| 92072A | 92072-3509 | BAND,L=292.1 | 7 | | |
| 92192 | 92192-1363 | TUBE,CONVOLUTED,25.1X30X260 | 1 | | |
| 92192A | 92192-1391 | TUBE,CONVOLUTED,25.1X30X210 | 1 | | |

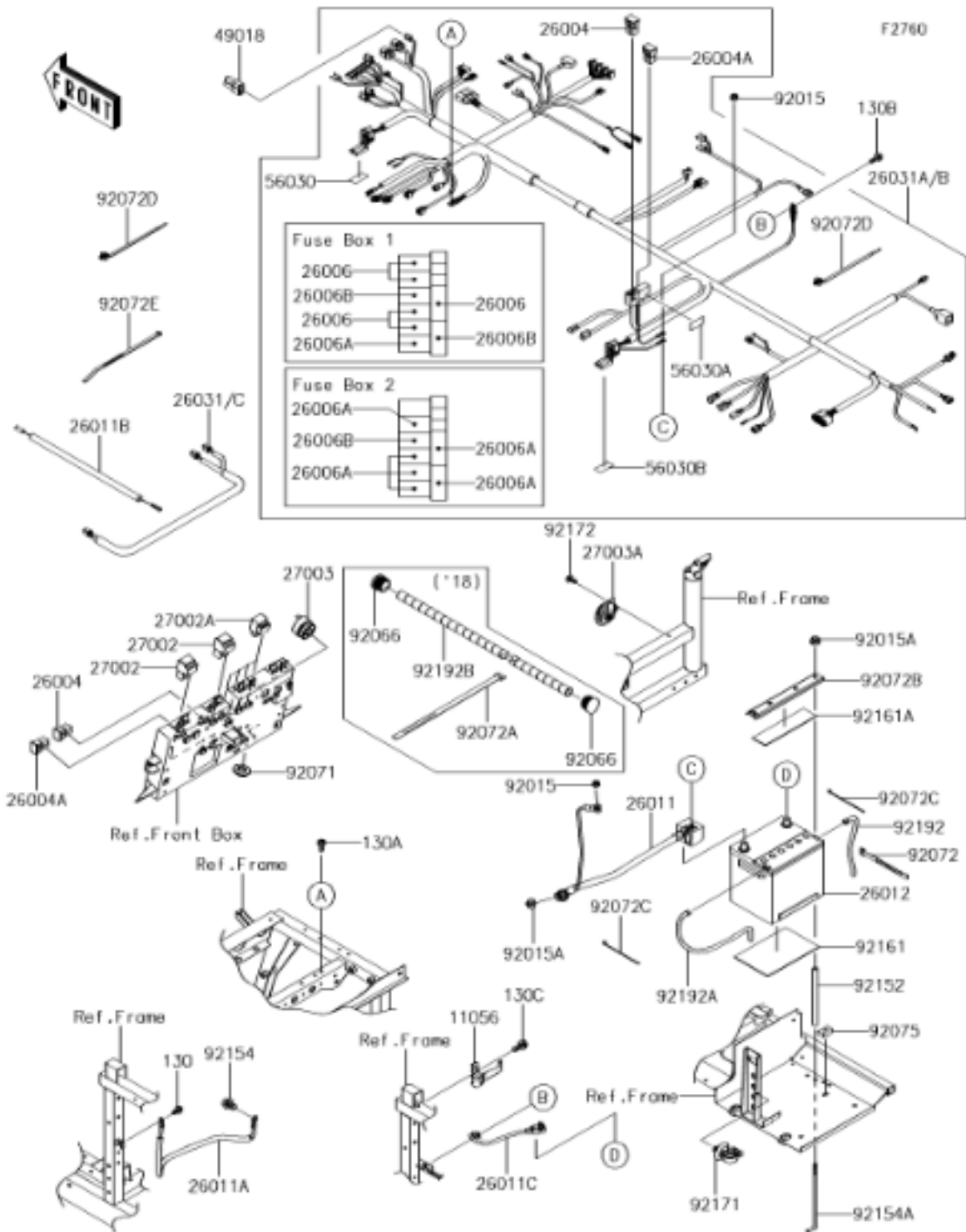


| Callout | Part Number | Description | Qty | Remarks | |
|---------|---------------|--------------------------------|-----|---------|--|
| 130 | 130BA0614 | BOLT-FLANGED,6X14 | 4 | | |
| 130A | 130BA0812 | BOLT-FLANGED,8X12 | 8 | | |
| 130B | 130BA0820 | BOLT-FLANGED,8X20 | 8 | | |
| 130C | 130CA0616 | BOLT-FLANGED,6X16 | 4 | | |
| 220 | 220AB0610 | SCREW-PAN-CROS,6X10 | 4 | | |
| 482 | 482EA0100 | CIRCLIP-TYPE-E,10MM | 2 | | |
| 550 | 550AA3030 | PIN-COTTER,3.0X30 | 2 | | |
| 554 | 554DA1200 | PIN-SNAP,12MM | 2 | | |
| 11056 | 11056-2848 | BRACKET,STOPPER | 2 | | |
| 11056A | 11056-4273 | BRACKET,SUPPORT | 1 | | |
| 11065 | 11065-0848 | CAP | 16 | | |
| 11065A | 11065-7504 | CAP | 1 | | |
| 13272 | 13272-1597 | PLATE | 4 | | |
| 14037 | 14037-0787 | SCREEN | 1 | | |
| 14092 | 14092-1179-6Z | COVER,SIDE PANEL,RR,LH,F.BLACK | 1 | | |
| 14092A | 14092-1180-6Z | COVER,SIDE PANEL,RR,RH,F.BLACK | 1 | | |
| 14092B | 14092-1181 | COVER,SIDE PANEL,L&R | 4 | | |
| 14093 | 14093-0301 | COVER,SCREEN | 1 | | |
| 16073 | 16073-0813 | INSULATOR,265X335 | 2 | | |

| Callout | Part Number | Description | Qty | Remarks | |
|---------|-------------|----------------------|-----|---------|--|
| 16073A | 16073-0816 | INSULATOR,295X705 | 1 | | |
| 16073B | 16073-0835 | INSULATOR,335X705 | 1 | | |
| 16073C | 16073-0836 | INSULATOR,115X705 | 1 | | |
| 27012 | 27012-0787 | HOOK,SCREEN | 2 | | |
| 31064 | 31064-0634 | PIPE-COMP,RR,LH | 1 | | |
| 31064A | 31064-0635 | PIPE-COMP,RR,RH | 1 | | |
| 31064B | 31064-0638 | PIPE-COMP,MIDDLE,LH | 1 | | |
| 31064C | 31064-0639 | PIPE-COMP,MIDDLE,RH | 1 | | |
| 31064D | 31064-0640 | PIPE-COMP,FR,LH | 1 | | |
| 31064E | 31064-0641 | PIPE-COMP,FR,RH | 1 | | |
| 32155 | 32155-1533 | PIPE | 1 | | |
| 39137 | 39137-0661 | STAY-COMP | 2 | | |
| 46102 | 46102-0606 | ROD | 1 | | |
| 49048 | 49048-0005 | SHOE,SCREEN | 2 | | |
| 53009 | 53009-0031 | HINGE | 6 | | |
| 53029 | 53029-0349 | CARRIER,BASE | 1 | | |
| 53045 | 53045-0025 | HOOK-ASSY,MAIN LOCK | 2 | | |
| 53045A | 53045-0026 | HOOK-ASSY,MAIN CLAMP | 2 | | |
| 53045B | 53045-0029 | HOOK-ASSY | 2 | | |

| Callout | Part Number | Description | Qty | Remarks | |
|---------|-------------|--------------------|-----|---------|--|
| 53062 | 53062-0022 | GATE-TAIL | 1 | | |
| 92004 | 92004-0733 | STUD | 2 | | |
| 92022 | 92022-1533 | WASHER,8.2X19X2 | 2 | | |
| 92022A | 92022-1618 | WASHER,23X32X2.3 | 2 | | |
| 92039 | 92039-3763 | RIVET,3.2X8 | 4 | | |
| 92043 | 92043-0716 | PIN,12.4X72.4 | 2 | | |
| 92071 | 92071-0763 | GROMMET,7.5X14X11 | 1 | | |
| 92093 | 92093-0679 | SEAL,20X720X10 | 1 | | |
| 92152 | 92152-1799 | COLLAR,6.8X10X9.3 | 4 | | |
| 92152A | 92152-2128 | COLLAR | 2 | | |
| 92154 | 92154-0974 | BOLT,FLANGED,5X4.5 | 2 | | |
| 92154A | 92154-1356 | BOLT,FLANGED,6X22 | 4 | | |
| 92161 | 92161-0590 | DAMPER | 2 | | |
| 92161A | 92161-1615 | DAMPER | 1 | | |
| 92161B | 92161-1634 | DAMPER,12.5X20X24 | 2 | | |
| 92161C | 92161-1656 | DAMPER | 2 | | |
| 92161D | 92161-1708 | DAMPER,17X6 | 2 | | |
| 92161E | 92161-1775 | DAMPER,10X40X10 | 2 | | |
| 92161F | 92161-1920 | DAMPER,10X34X10 | 4 | | |

| Callout | Part Number | Description | Qty | Remarks | |
|---------|-------------|--------------------|-----|---------|--|
| 92172 | 92172-0284 | SCREW,6X16 | 16 | | |
| 92172A | 92172-0711 | SCREW,6X16 | 11 | | |
| 92172B | 92172-0739 | SCREW,TAPPING,6X16 | 48 | | |
| 92173 | 92173-1213 | CLAMP,FUEL PIPE | 1 | | |
| 92200 | 92200-1543 | WASHER,6.5X16X2.0 | 4 | | |
| 92200A | 92200-1769 | WASHER,6.5X16X0.5 | 2 | | |

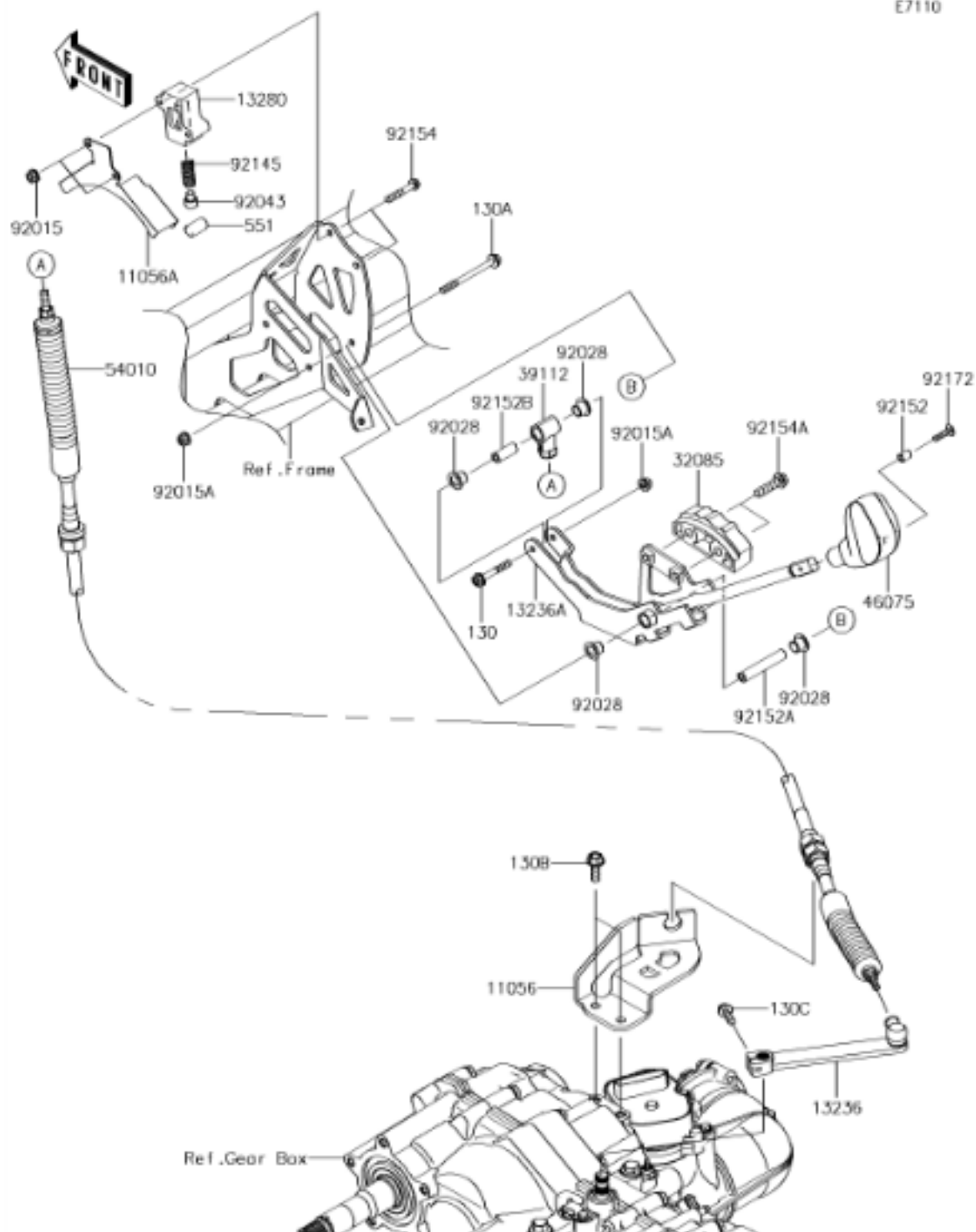


| Callout | Part Number | Description | Qty | Remarks | |
|---------|-------------|----------------------------|-----|---------|--|
| 130 | 130BA0612 | BOLT-FLANGED,6X12 | 1 | | |
| 130A | 130BA0616 | BOLT-FLANGED,6X16 | 1 | | |
| 130B | 130BA0618 | BOLT-FLANGED,6X18 | 1 | | |
| 130C | 130BA0820 | BOLT-FLANGED,8X20 | 1 | | |
| 11056 | 11056-7478 | BRACKET,FUSE | 1 | | |
| 26004 | 26004-0024 | FUSE-ASSY,60A | 2 | | |
| 26004A | 26004-1093 | FUSE-ASSY,40A | 2 | | |
| 26006 | 26006-0009 | FUSE,MINI BLADE,10A,RED | 5 | | |
| 26006A | 26006-1080 | FUSE,MINI BLADE,30A,GREEN | 7 | | |
| 26006B | 26006-3704 | FUSE,MINI BLADE,20A,YELLOW | 3 | | |
| 26011 | 26011-0904 | WIRE-LEAD,BATTERY(+) | 1 | | |
| 26011A | 26011-0905 | WIRE-LEAD,ENGINE GND | 1 | | |
| 26011B | 26011-0906 | WIRE-LEAD,OIL PRESSURE SW. | 1 | | |
| 26011C | 26011-0912 | WIRE-LEAD,BATTERY(-) | 1 | | |
| 26012 | 26012-7501 | BATTERY,WET,(26R) | 1 | | |
| 26031A | 26031-2153 | HARNESS,MAIN | 1 | | |
| 26031 | 26031-2226 | HARNESS,SUB | 1 | | |
| 27002 | 27002-0012 | RELAY-ASSY | 3 | | |
| 27002A | 27002-1062 | RELAY-ASSY | 4 | | |

| Callout | Part Number | Description | Qty | Remarks | |
|---------|-------------|-----------------------|-----|---------|--|
| 27003 | 27003-0116 | HORN,PARKING BUZZER | 1 | | |
| 27003A | 27003-1330 | HORN | 1 | | |
| 49018 | 49018-0006 | DIODE | 1 | | |
| 56030 | 56030-0917 | LABEL,FUSE BOX1 | 1 | | |
| 56030A | 56030-0918 | LABEL,FUSE BOX3 | 1 | | |
| 56030B | 56030-0919 | LABEL,FUSE BOX2 | 1 | | |
| 92015 | 92015-1367 | NUT,FLANGED,6MM | 2 | | |
| 92015A | 92015-1406 | NUT,FLANGED,8MM | 2 | | |
| 92066 | 92066-0908 | PLUG | 2 | | |
| 92071 | 92071-0729 | GROMMET,22X45X9 | 1 | | |
| 92072 | 92072-030 | BAND,L=123 | 1 | | |
| 92072A | 92072-032 | BAND,L=218 | 2 | | |
| 92072B | 92072-0767 | BAND | 1 | | |
| 92072C | 92072-0791 | BAND,92X2.4 | 2 | | |
| 92072D | 92072-1414 | BAND,OS170-FT7(BLACK) | 38 | | |
| 92072E | 92072-3509 | BAND,L=292.1 | 18 | | |
| 92075 | 92075-099 | DAMPER | 1 | | |
| 92152 | 92152-1852 | COLLAR,9.4X12.7X190.8 | 1 | | |
| 92154 | 92154-1383 | BOLT,FLANGED,10X14 | 1 | | |

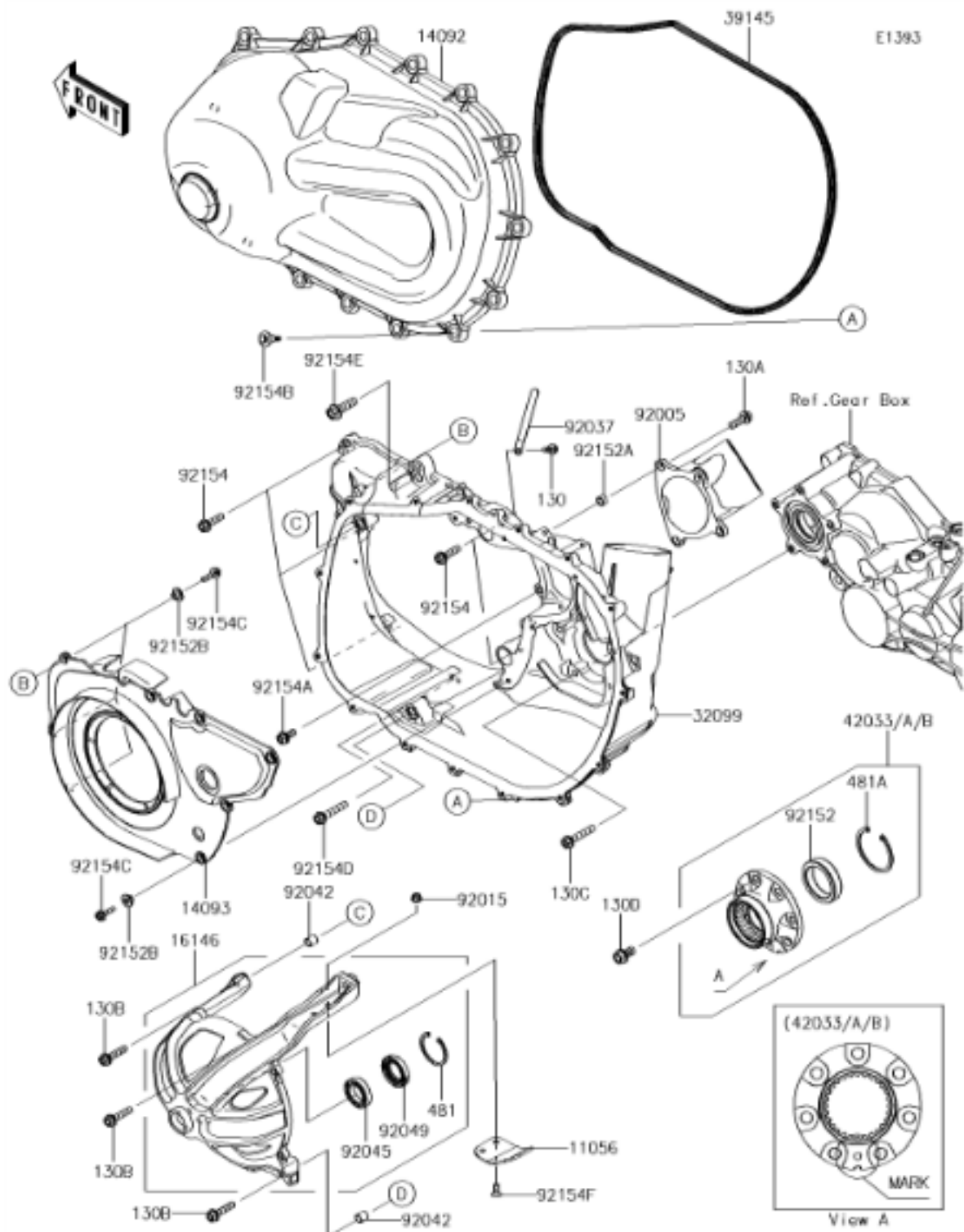
| Callout | Part Number | Description | Qty | Remarks | |
|---------|-------------|------------------------|-----|---------|--|
| 92154A | 92154-1650 | BOLT,BATTERY | 1 | | |
| 92161 | 92161-0578 | DAMPER | 1 | | |
| 92161A | 92161-1753 | DAMPER | 1 | | |
| 92171 | 92171-0453 | CLAMP | 1 | | |
| 92172 | 92172-0739 | SCREW,TAPPING,6X16 | 1 | | |
| 92192 | 92192-1646 | TUBE,BREATHER,7X10X240 | 1 | | |
| 92192A | 92192-1694 | TUBE,BREATHER,7X10X450 | 1 | | |
| 92192B | 92192-1814 | TUBE,CONVOLUTED | 1 | | |

E7110



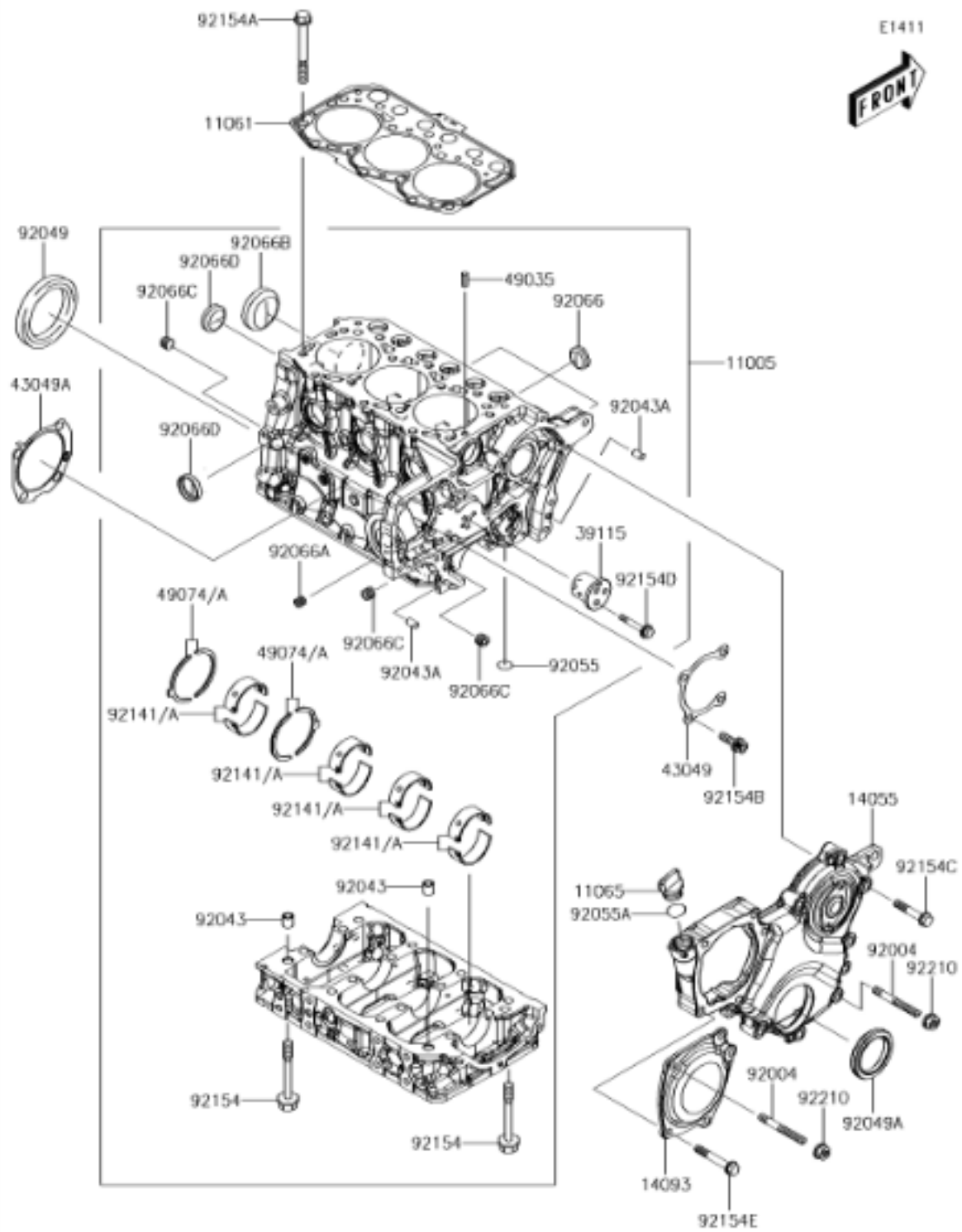
| Callout | Part Number | Description | Qty | Remarks | |
|---------|-------------|----------------------|-----|---------|--|
| 130 | 130BA0640 | BOLT-FLANGED,6X40 | 1 | | |
| 130A | 130BA0670 | BOLT-FLANGED,6X70 | 1 | | |
| 130B | 130BA0822 | BOLT-FLANGED,8X22 | 2 | | |
| 130C | 130CD0620 | BOLT-FLANGED,6X20 | 1 | | |
| 551 | 551R1220 | PIN-DOWEL,12X20 | 1 | | |
| 11056 | 11056-2946 | BRACKET,T/M SIDE | 1 | | |
| 11056A | 11056-7274 | BRACKET,DUST COVER | 1 | | |
| 13236 | 13236-0747 | LEVER-COMP,T/M SIDE | 1 | | |
| 13236A | 13236-0748 | LEVER-COMP,SHIFT | 1 | | |
| 13280 | 13280-0776 | HOLDER | 1 | | |
| 32085 | 32085-0748 | STOPPER | 1 | | |
| 39112 | 39112-0020 | RODEND-TIE | 1 | | |
| 46075 | 46075-0569 | GRIP | 1 | | |
| 54010 | 54010-0601 | CABLE,SHIFT | 1 | | |
| 92015 | 92015-1367 | NUT,FLANGED,6MM | 2 | | |
| 92015A | 92015-1675 | NUT,LOCK,FLANGED,6MM | 2 | | |
| 92028 | 92028-1507 | BUSHING | 4 | | |
| 92043 | 92043-0790 | PIN | 1 | | |
| 92145 | 92145-1578 | SPRING | 1 | | |

| Callout | Part Number | Description | Qty | Remarks | |
|---------|-------------|-------------------|-----|---------|--|
| 92152 | 92152-1545 | COLLAR,5.6X8X10.5 | 1 | | |
| 92152A | 92152-1823 | COLLAR,6X10X56.5 | 1 | | |
| 92152B | 92152-1854 | COLLAR,6X10X25 | 1 | | |
| 92154 | 92154-1544 | BOLT,FLANGED,6X35 | 2 | | |
| 92154A | 92154-1907 | BOLT,FLANGED,8X30 | 2 | | |
| 92172 | 92172-2081 | SCREW,5X20 | 1 | | |



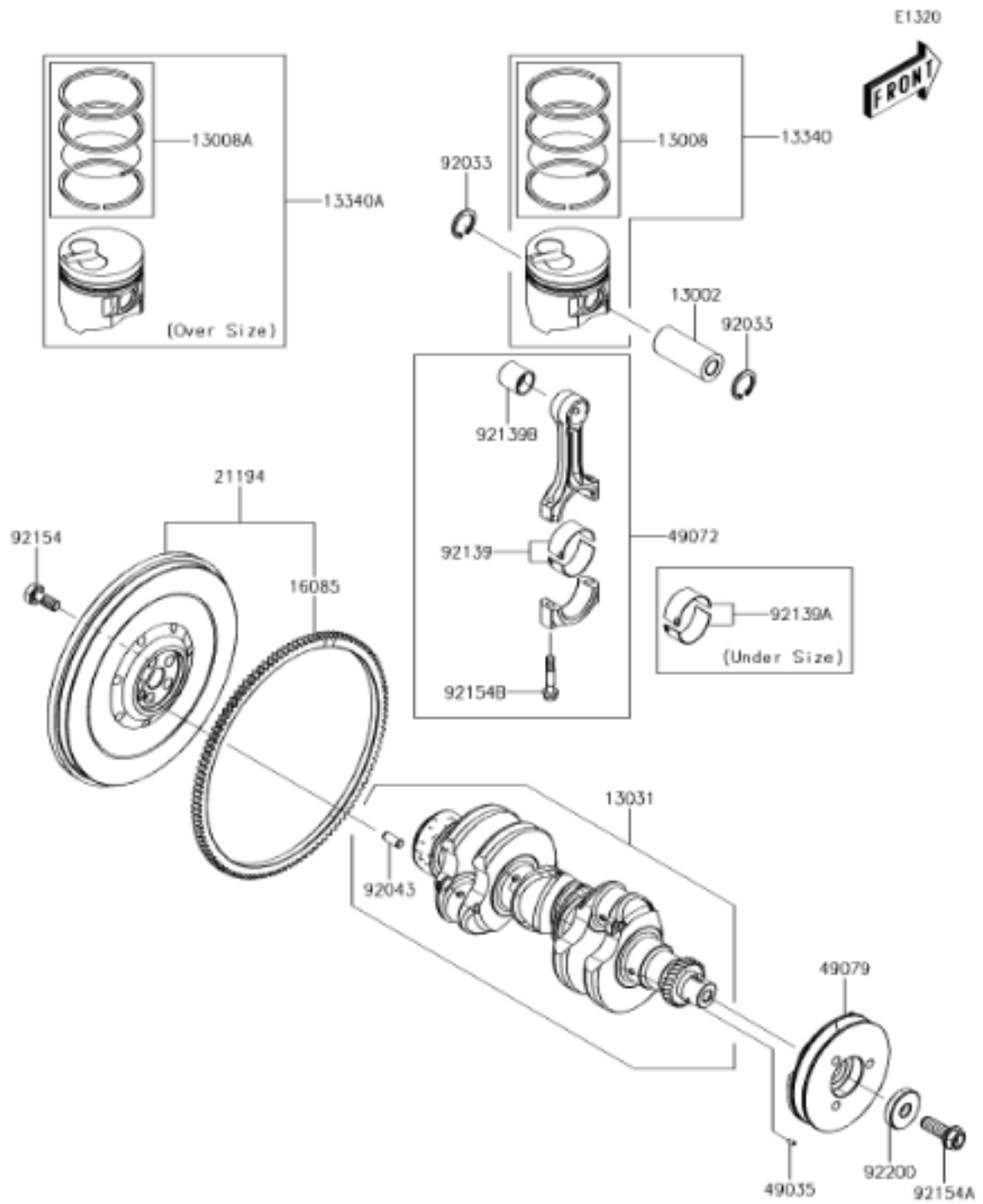
| Callout | Part Number | Description | Qty | Remarks | |
|---------|-------------|-----------------------------|-----|---------|--|
| 130 | 130BA0614 | BOLT-FLANGED,6X14 | 1 | | |
| 130A | 130BA0825 | BOLT-FLANGED,8X25 | 4 | | |
| 130B | 130BA0835 | BOLT-FLANGED,8X35 | 3 | | |
| 130C | 130BA0845 | BOLT-FLANGED,8X45 | 5 | | |
| 130D | 130CA1018 | BOLT-FLANGED,10X18 | 7 | | |
| 481 | 481J4500 | CIRCLIP-TYPE-C,45MM | 1 | | |
| 481A | 481J6200 | CIRCLIP | 1 | | |
| 11056 | 11056-7883 | BRACKET,CVT BELT GUIDE | 1 | | |
| 14092 | 14092-1202 | COVER,CVT | 1 | | |
| 14093 | 14093-0302 | COVER | 1 | | |
| 16146 | 16146-0791 | COVER-ASSY | 1 | | |
| 32099 | 32099-0771 | CASE,CVT | 1 | | |
| 39145 | 39145-0047 | TRIM-SEAL | 1 | | |
| 42033 | 42033-0582 | COUPLING-ASSY,B MARK,WHITE | 1 | | |
| 42033 | 42033-0583 | COUPLING-ASSY,A MARK,BLUE | 1 | | |
| 42033 | 42033-0584 | COUPLING-ASSY,C MARK,YELLOW | 1 | | |
| 92005 | 92005-0762 | FITTING,INTAKE | 1 | | |
| 92015 | 92015-1675 | NUT,LOCK,FLANGED,6MM | 2 | | |
| 92037 | 92037-1993 | CLAMP | 1 | | |

| Callout | Part Number | Description | Qty | Remarks | |
|---------|-------------|----------------------|-----|---------|--|
| 92042 | 92042-031 | PIN,DOWEL,12X14 | 2 | | |
| 92045 | 92045-036 | BEARING-BALL,#6905 | 1 | | |
| 92049 | 92049-0767 | SEAL-OIL,HTC 28X45X8 | 1 | | |
| 92152 | 92152-1822 | COLLAR | 1 | | |
| 92152A | 92152-1853 | COLLAR,8.8X12.3X6.9 | 4 | | |
| 92152B | 92152-1931 | COLLAR | 8 | | |
| 92154 | 92154-0850 | BOLT,FLANGED,8X30 | 5 | | |
| 92154A | 92154-1386 | BOLT,FLANGED,8X18 | 1 | | |
| 92154B | 92154-1522 | BOLT,CVT COVER | 15 | | |
| 92154C | 92154-1525 | BOLT,FLANGED,6X22 | 8 | | |
| 92154D | 92154-1526 | BOLT,FLANGED,8X45 | 1 | | |
| 92154E | 92154-1744 | BOLT,FLANGED,10X35 | 1 | | |
| 92154F | 92154-2147 | BOLT,6X16 | 2 | | |



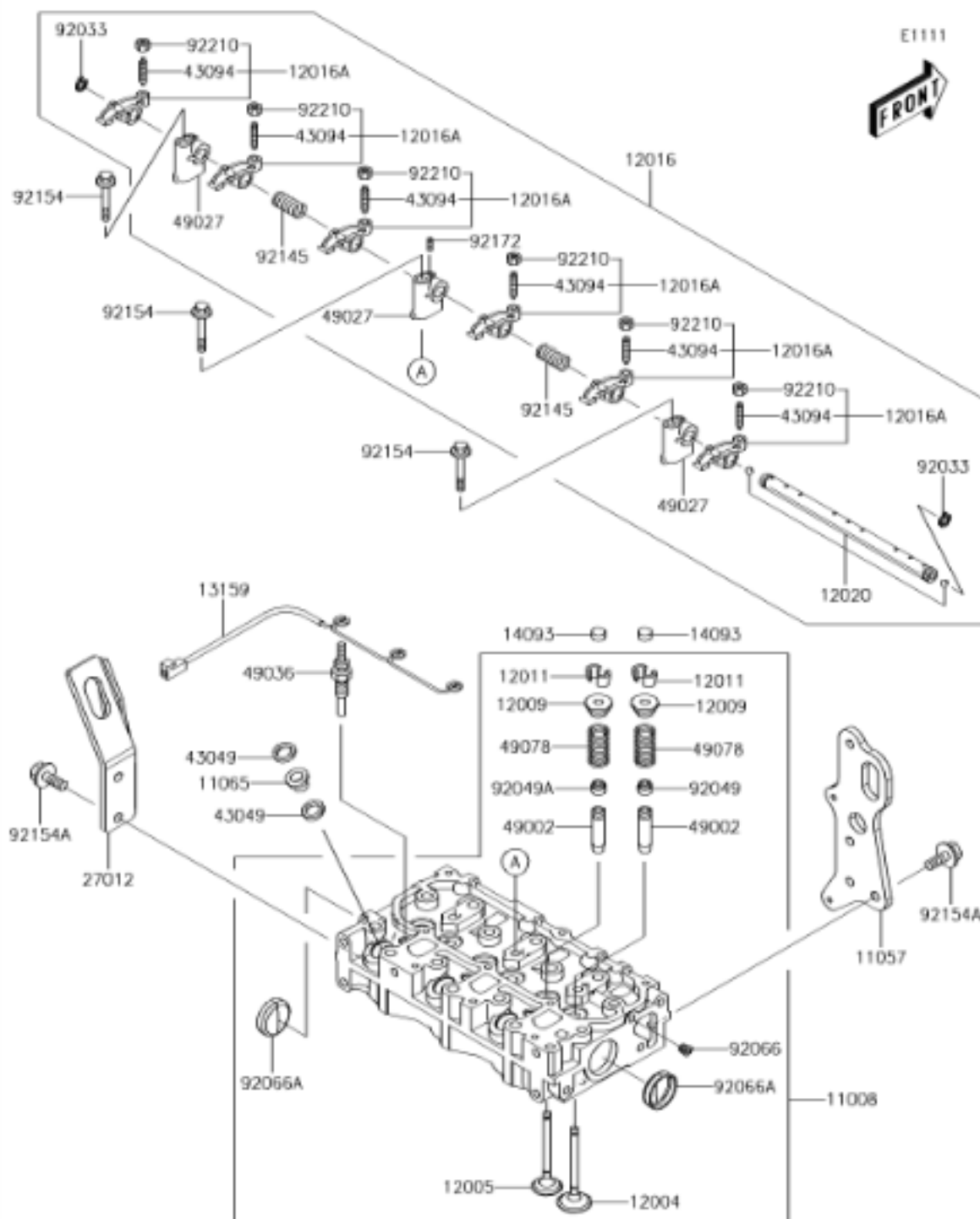
| Callout | Part Number | Description | Qty | Remarks | |
|---------|-------------|-----------------------|-----|---------|--|
| 11005 | 11005-0664 | CYLINDER-ENGINE | 1 | | |
| 11061 | 11061-1192 | GASKET,HEAD | 1 | | |
| 11065 | 11065-0936 | CAP | 1 | | |
| 14055 | 14055-0622 | CASE-GEAR | 1 | | |
| 14093 | 14093-0439 | COVER | 1 | | |
| 39115 | 39115-0025 | SHAFT-IDLER | 1 | | |
| 43049 | 43049-0035 | PACKING | 1 | | |
| 43049A | 43049-0036 | PACKING | 1 | | |
| 49035 | 49035-0016 | PIN-SPRING | 2 | | |
| 49074 | 49074-0003 | PLATE-THRUST | 2 | | |
| 49074 | 49074-0005 | PLATE-THRUST,O/S,0.25 | AR | | |
| 92004 | 92004-0744 | STUD,8X60 | 2 | | |
| 92043 | 92043-0883 | PIN,KNOCK | 2 | | |
| 92043A | 92043-0884 | PIN,6X10 | 2 | | |
| 92049 | 92049-0787 | SEAL-OIL | 1 | | |
| 92049A | 92049-0788 | SEAL-OIL | 1 | | |
| 92055 | 92055-0854 | RING-O | 1 | | |
| 92055A | 92055-0855 | RING-O | 1 | | |
| 92066 | 92066-0846 | PLUG | 3 | | |

| Callout | Part Number | Description | Qty | Remarks | |
|---------|-------------|------------------------|-----|---------|--|
| 92066A | 92066-0847 | PLUG | 1 | | |
| 92066B | 92066-0849 | PLUG | 1 | | |
| 92066C | 92066-0850 | PLUG | 3 | | |
| 92066D | 92066-0860 | PLUG | 4 | | |
| 92141 | 92141-0004 | BEARING-PLANE,STD | 4 | | |
| 92141 | 92141-0005 | BEARING-PLANE,U/S,0.25 | AR | | |
| 92154 | 92154-1981 | BOLT,FLANGED | 16 | | |
| 92154A | 92154-1982 | BOLT,FLANGED | 14 | | |
| 92154B | 92154-1983 | BOLT,SOCKET | 4 | | |
| 92154C | 92154-1984 | BOLT,FLANGED,8X35 | 7 | | |
| 92154D | 92154-1995 | BOLT,FLANGED,6X40 | 3 | | |
| 92154E | 92154-2000 | BOLT,FLANGED,8X45 | 4 | | |
| 92210 | 92210-1473 | NUT,8MM | 2 | | |



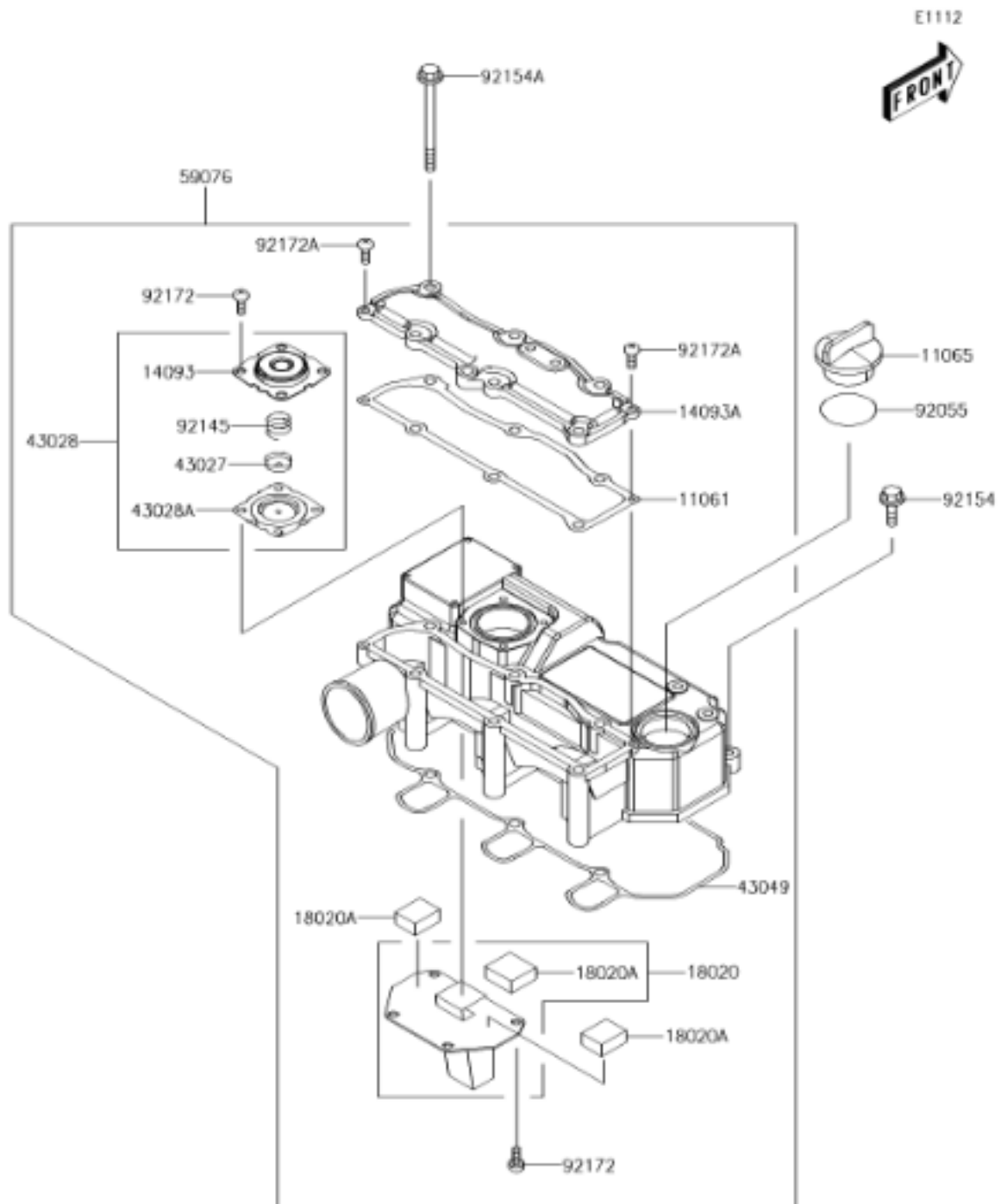
| Callout | Part Number | Description | Qty | Remarks | |
|---------|-------------|-----------------------------|-----|---------|--|
| 13002 | 13002-0047 | PIN-PISTON | 3 | | |
| 13008 | 13008-0563 | RING-SET-PISTON,STD | 3 | | |
| 13008A | 13008-0566 | RING-SET-PISTON,O/S,0.25 | AR | | |
| 13031 | 13031-0841 | CRANKSHAFT-COMP | 1 | | |
| 13340 | 13340-0004 | PISTON-ASSY-ENGINE,STD | 3 | | |
| 13340A | 13340-0005 | PISTON-ASSY-ENGINE,O/S,0.25 | AR | | |
| 16085 | 16085-0655 | GEAR,RING | 1 | | |
| 21194 | 21194-0037 | FLYWHEEL-COMP | 1 | | |
| 49035 | 49035-0017 | PIN-SPRING | 1 | | |
| 49072 | 49072-0001 | ROD-COMP-CONNECTING | 3 | | |
| 49079 | 49079-0026 | PULLEY-BELT | 1 | | |
| 92033 | 92033-0774 | RING-SNAP | 6 | | |
| 92043 | 92043-0886 | PIN,8X16 | 1 | | |
| 92139 | 92139-0860 | BUSHING,STD | 3 | | |
| 92139A | 92139-0864 | BUSHING,U/S,0.25 | AR | | |
| 92139B | 92139-0865 | BUSHING,PISTON PIN | 3 | | |
| 92154 | 92154-1992 | BOLT,FLYWHEEL | 5 | | |
| 92154A | 92154-1993 | BOLT,FLANGED | 1 | | |
| 92154B | 92154-1994 | BOLT,CONNECTING ROD | 6 | | |

| Callout | Part Number | Description | Qty | Remarks | |
|---------|-------------|-------------|-----|---------|--|
| 92200 | 92200-1807 | WASHER | 1 | | |



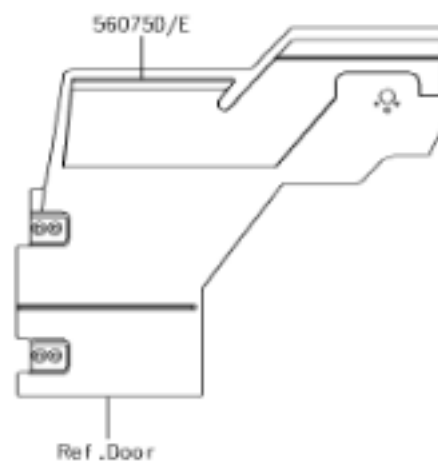
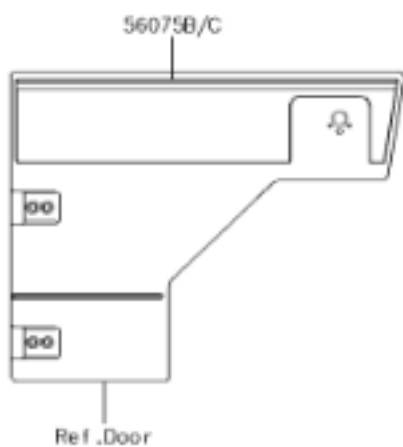
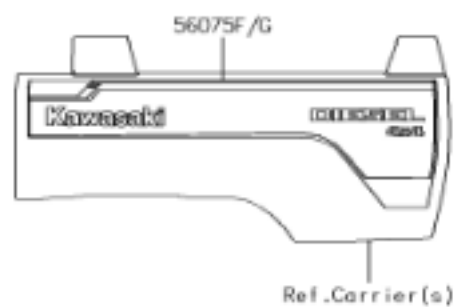
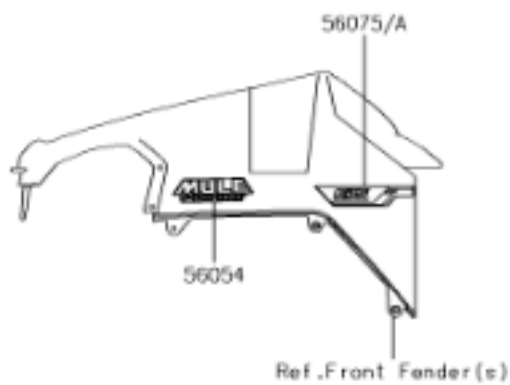
| Callout | Part Number | Description | Qty | Remarks | |
|---------|-------------|-----------------------|-----|---------|--|
| 11008 | 11008-0875 | HEAD-COMP-CYLINDER | 1 | | |
| 11057 | 11057-1247 | BRACKET,FRAME | 1 | | |
| 11065 | 11065-0942 | CAP,NOZZLE | 3 | | |
| 12004 | 12004-0739 | VALVE-INTAKE | 3 | | |
| 12005 | 12005-0759 | VALVE-EXHAUST | 3 | | |
| 12009 | 12009-0029 | RETAINER-VALVE SPRING | 6 | | |
| 12011 | 12011-0004 | COLLET | 12 | | |
| 12016 | 12016-0044 | ARM-ROCKER | 1 | | |
| 12016A | 12016-0045 | ARM-ROCKER | 6 | | |
| 12020 | 12020-0018 | SHAFT-ROCKER | 1 | | |
| 13159 | 13159-0019 | CONNECTOR,PLUG-GLOW | 1 | | |
| 14093 | 14093-0440 | COVER,VALVE | 6 | | |
| 27012 | 27012-0819 | HOOK | 1 | | |
| 43049 | 43049-0037 | PACKING,NOZZLE | 6 | | |
| 43094 | 43094-0006 | ADJUSTER,VALVE | 6 | | |
| 49002 | 49002-0032 | GUIDE-VALVE | 6 | | |
| 49027 | 49027-0001 | HOLDER-ROCKER | 3 | | |
| 49036 | 49036-0002 | PLUG-GLOW | 3 | | |
| 49078 | 49078-0731 | SPRING-ENGINE VALVE | 6 | | |

| Callout | Part Number | Description | Qty | Remarks | |
|---------|-------------|-------------------|-----|---------|--|
| 92033 | 92033-0773 | RING-SNAP | 2 | | |
| 92049 | 92049-0789 | SEAL-OIL,INTAKE | 3 | | |
| 92049A | 92049-0790 | SEAL-OIL,EXHAUST | 3 | | |
| 92066 | 92066-0847 | PLUG | 1 | | |
| 92066A | 92066-0852 | PLUG | 2 | | |
| 92145 | 92145-1711 | SPRING | 2 | | |
| 92154 | 92154-1987 | BOLT,FLANGED,8X40 | 3 | | |
| 92154A | 92154-2071 | BOLT,FLANGED,8X16 | 5 | | |
| 92172 | 92172-0984 | SCREW,5X16 | 1 | | |
| 92210 | 92210-1468 | NUT,8MM | 6 | | |

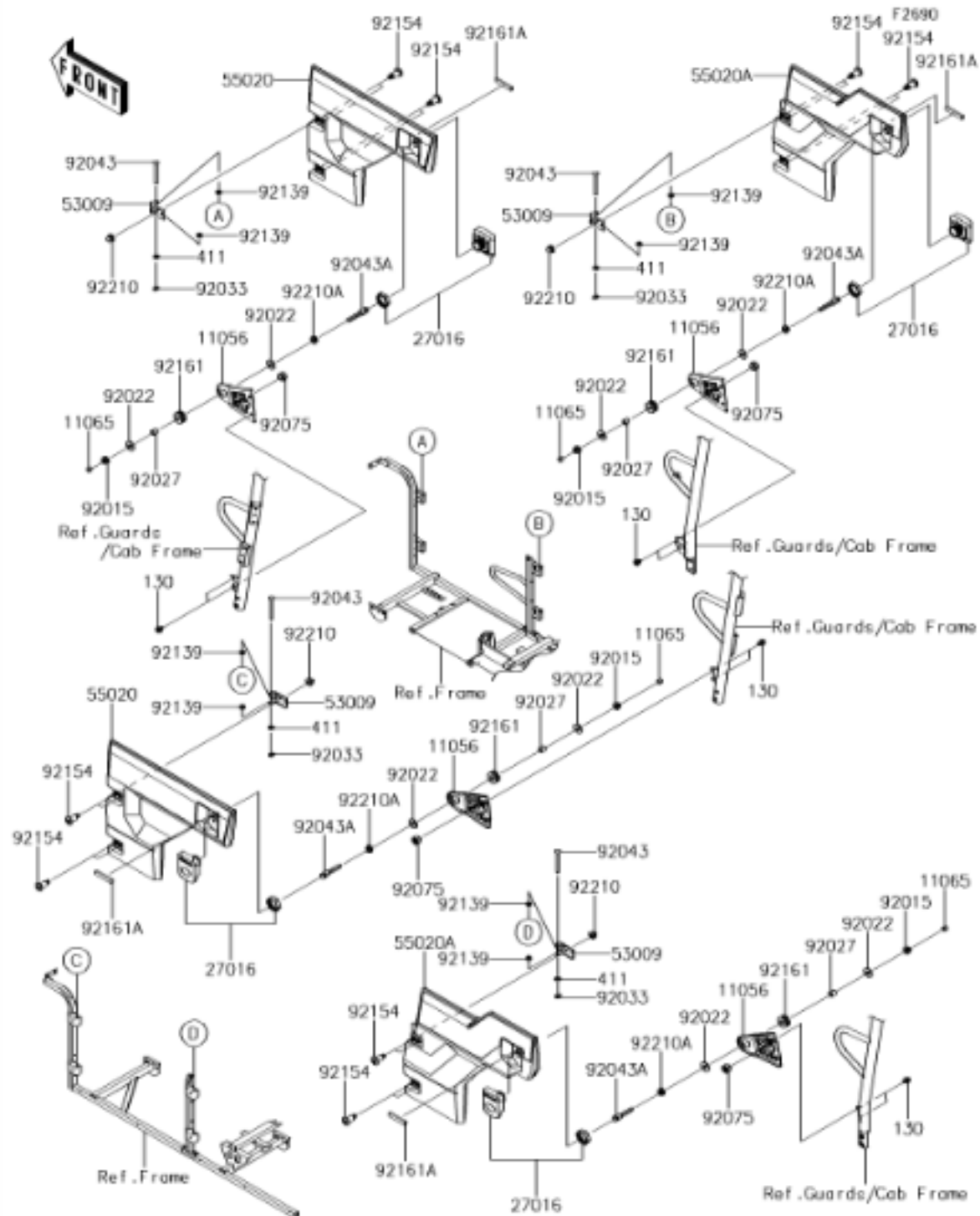


| Callout | Part Number | Description | Qty | Remarks | |
|---------|-------------|------------------------------|-----|---------|--|
| 11061 | 11061-1193 | GASKET,INTAKE MANIFOLD COVER | 1 | | |
| 11065 | 11065-0943 | CAP,FILLER | 1 | | |
| 14093 | 14093-0442 | COVER,DIAPHRAGM | 1 | | |
| 14093A | 14093-0444 | COVER,INTAKE MANIFOLD | 1 | | |
| 18020 | 18020-0723 | BAFFLE,PLATE | 1 | | |
| 18020A | 18020-0724 | BAFFLE,BREATHER | 3 | | |
| 43027 | 43027-0009 | PLATE-DIAPHRAGM | 1 | | |
| 43028 | 43028-0019 | DIAPHRAGM,ASSY | 1 | | |
| 43028A | 43028-0020 | DIAPHRAGM | 1 | | |
| 43049 | 43049-0038 | PACKING,INTAKE MANIFOLD | 1 | | |
| 59076 | 59076-0014 | MANIFOLD-INTAKE | 1 | | |
| 92055 | 92055-0856 | RING-O | 1 | | |
| 92145 | 92145-1712 | SPRING | 1 | | |
| 92154 | 92154-1988 | BOLT,FLANGED,6X20 | 3 | | |
| 92154A | 92154-1989 | BOLT,FLANGED,6X75 | 6 | | |
| 92172 | 92172-0985 | SCREW,5X10 | 8 | | |
| 92172A | 92172-0986 | SCREW,5X16 | 2 | | |

F2861



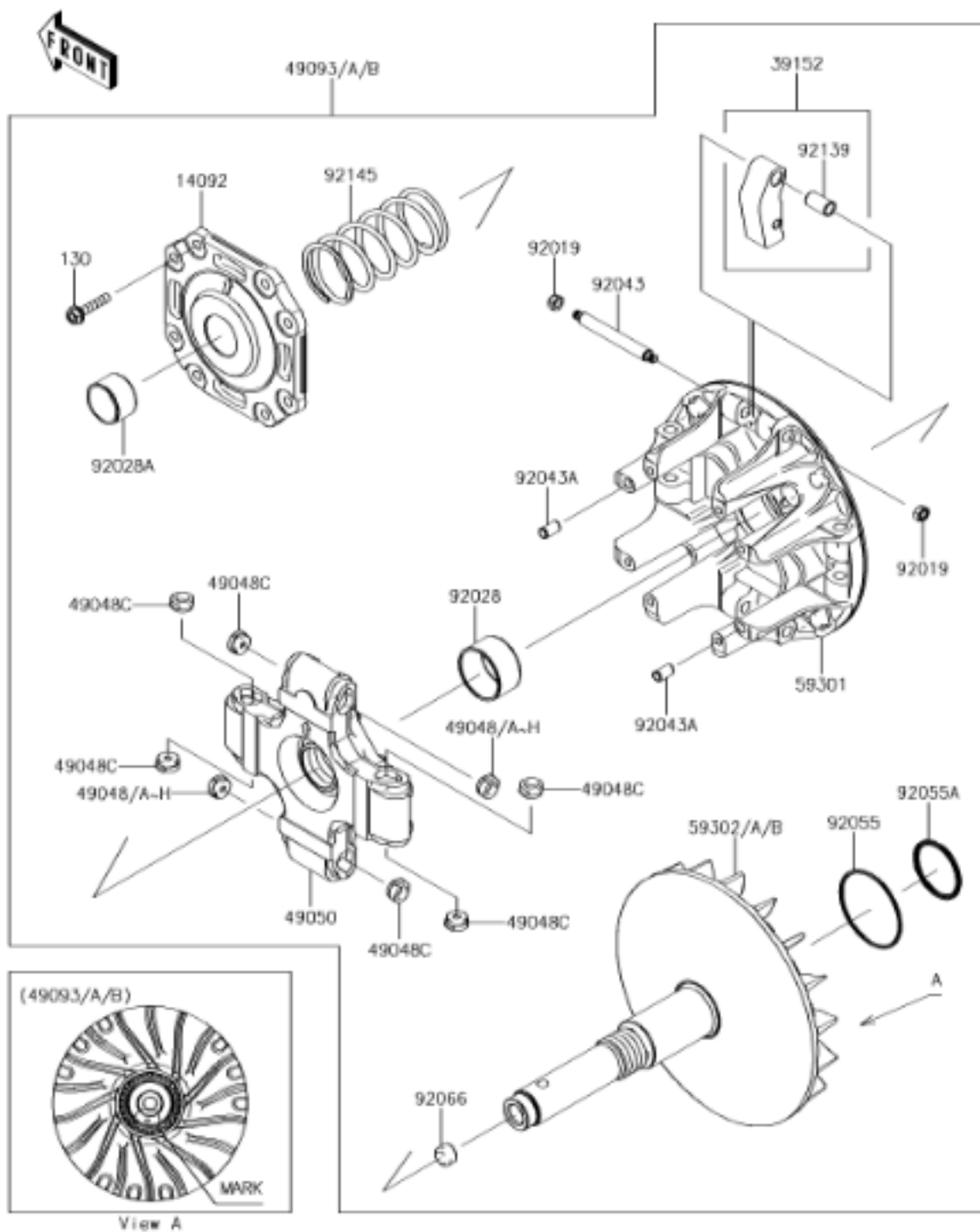
| Callout | Part Number | Description | Qty | Remarks | |
|---------|-------------|-----------------------------|-----|---------|--|
| 56054 | 56054-1960 | MARK,FR FENDER,MULE PRO-DXT | 2 | | |
| 56075 | 56075-0624 | PATTERN,FR FENDER,LH,EPS | 1 | | |
| 56075 | 56075-0625 | PATTERN,FR FENDER,RH,EPS | 1 | | |
| 56075B | 56075-0626 | PATTERN,SIDE GUARD,LH,FR | 1 | | |
| 56075B | 56075-0627 | PATTERN,SIDE GUARD,RH,FR | 1 | | |
| 56075D | 56075-0628 | PATTERN,SIDE GUARD,LH,RR | 1 | | |
| 56075D | 56075-0629 | PATTERN,SIDE GUARD,RH,RR | 1 | | |
| 56075F | 56075-1375 | PATTERN,CARRIER COVER,LH | 1 | | |
| 56075F | 56075-1376 | PATTERN,CARRIER COVER,RH | 1 | | |



| Callout | Part Number | Description | Qty | Remarks | |
|---------|---------------|--------------------|-----|---------|--|
| 130 | 130BA0610 | BOLT-FLANGED,6X10 | 8 | | |
| 411 | 411AB0600 | WASHER-PLAIN,6MM | 8 | | |
| 11056 | 11056-2856 | BRACKET,DOOR GUARD | 4 | | |
| 11065 | 11065-7504 | CAP | 4 | | |
| 27016 | 27016-0084 | LOCK-ASSY | 4 | | |
| 53009 | 53009-0303 | HINGE | 8 | | |
| 55020 | 55020-0936-6Z | GUARD,FR,F.BLACK | 2 | | |
| 55020A | 55020-0937-6Z | GUARD,RR,F.BLACK | 2 | | |
| 92015 | 92015-1432 | NUT,8MM | 4 | | |
| 92022 | 92022-3026 | WASHER,PLAIN | 8 | | |
| 92027 | 92027-102 | COLLAR,8.8X12X10.7 | 4 | | |
| 92033 | 92033-0719 | RING-SNAP | 8 | | |
| 92043 | 92043-0743 | PIN,6X56 | 8 | | |
| 92043A | 92043-0788 | PIN,DOOR LOCK | 4 | | |
| 92075 | 92075-1598 | DAMPER | 4 | | |
| 92139 | 92139-0709 | BUSHING,6X8X6 | 16 | | |
| 92154 | 92154-1369 | BOLT,SOCKET,8X30 | 16 | | |
| 92161 | 92161-1691 | DAMPER,10X26X11.5 | 4 | | |
| 92161A | 92161-1837 | DAMPER,9X52X5 | 4 | | |

| Callout | Part Number | Description | Qty | Remarks | |
|----------------|--------------------|--------------------|------------|----------------|--|
| 92210 | 92210-0488 | NUT,CAP,8MM | 16 | | |
| 92210A | 92210-0555 | NUT,FLANGED,8MM | 4 | | |

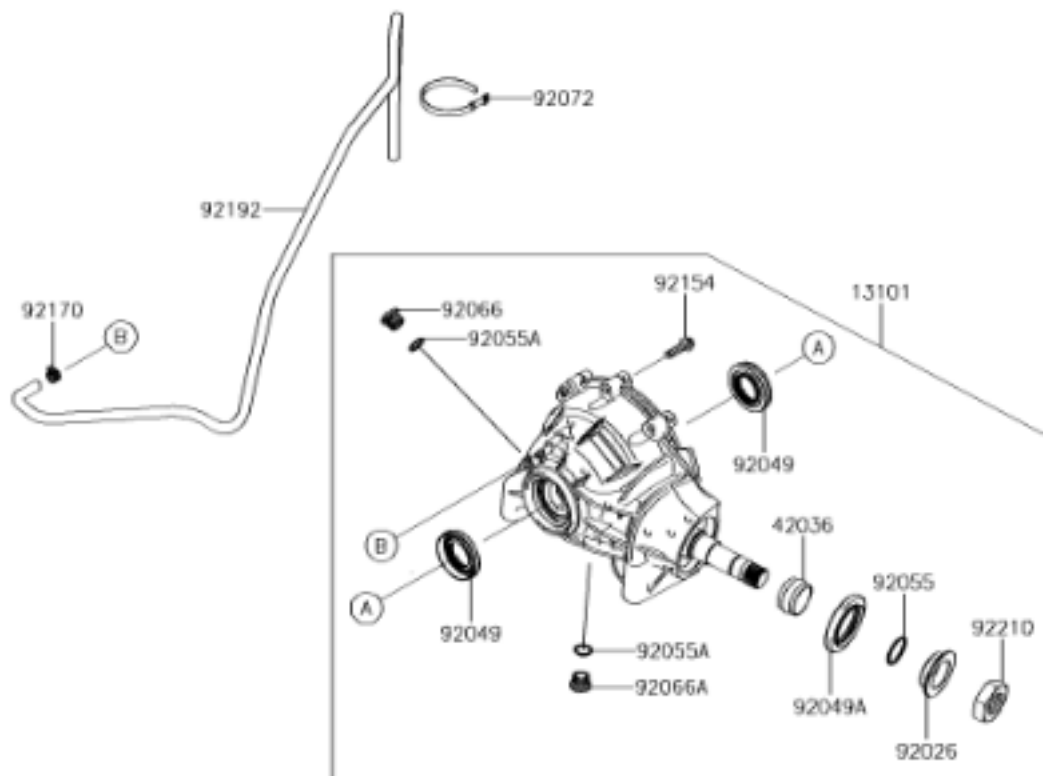
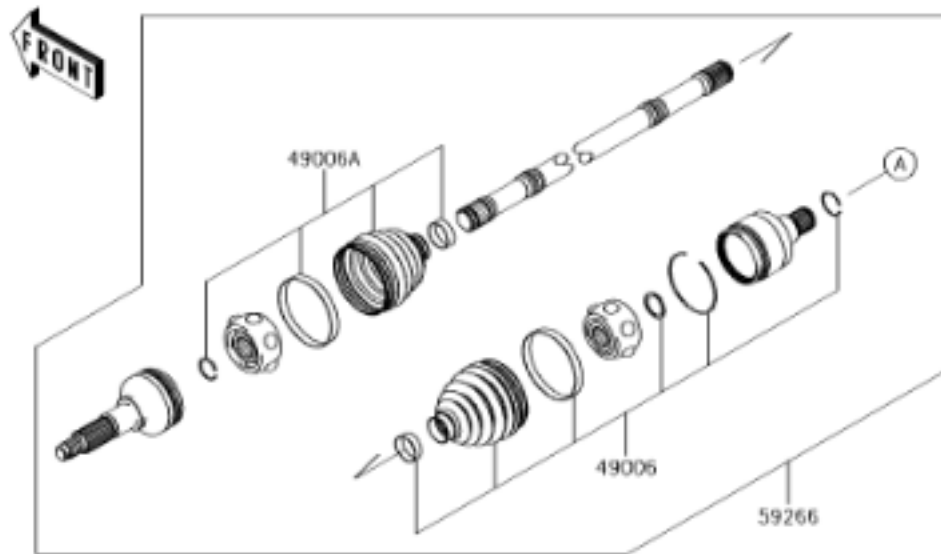
E1391



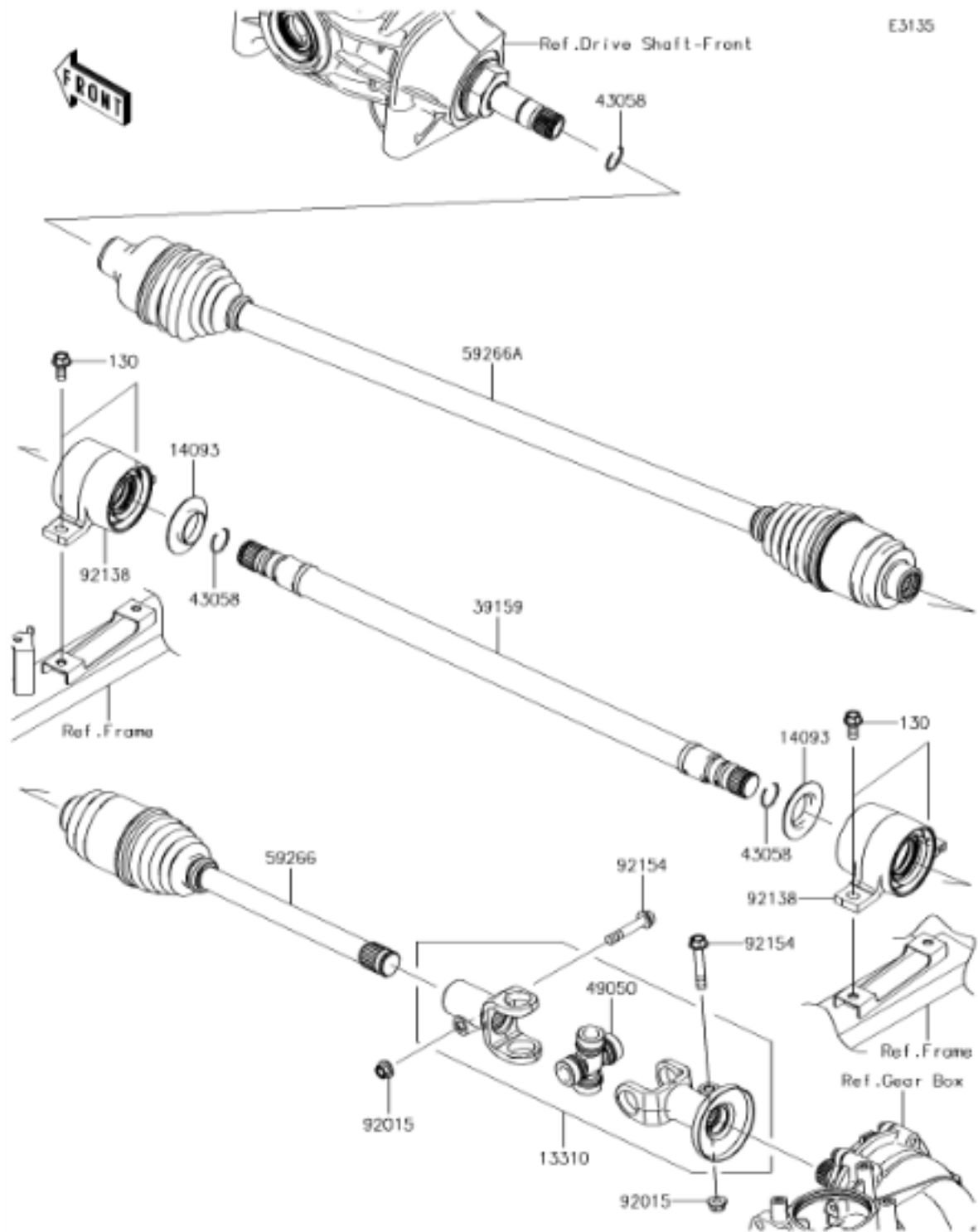
| Callout | Part Number | Description | Qty | Remarks | |
|---------|-------------|-------------------------------|-----|---------|--|
| 130 | 130CA0630 | BOLT-FLANGED,6X30 | 8 | | |
| 14092 | 14092-1201 | COVER | 1 | | |
| 39152 | 39152-0043 | WEIGHT-RAMP | 4 | | |
| 49048 | 49048-1087 | SHOE,T=7.2 | AR | | |
| 49048 | 49048-1088 | SHOE,T=7.3 | AR | | |
| 49048 | 49048-1089 | SHOE,T=7.4 | AR | | |
| 49048C | 49048-1090 | SHOE,T=7.5 | 8 | | |
| 49048 | 49048-1091 | SHOE,T=7.6 | AR | | |
| 49048 | 49048-1092 | SHOE,T=7.7 | AR | | |
| 49048 | 49048-1093 | SHOE,T=7.8 | AR | | |
| 49048 | 49048-1094 | SHOE,T=7.9 | AR | | |
| 49048 | 49048-1095 | SHOE,T=8.0 | AR | | |
| 49050 | 49050-1083 | SPIDER | 1 | | |
| 49093 | 49093-0050 | CONVERTER-DRIVE,B MARK,WHITE | 1 | | |
| 49093 | 49093-0069 | CONVERTER-DRIVE,A MARK,BLUE | 1 | | |
| 49093 | 49093-0070 | CONVERTER-DRIVE,C MARK,YELLOW | 1 | | |
| 59301 | 59301-0025 | SHEAVE-MOVABLE | 1 | | |
| 59302 | 59302-0092 | SHEAVE-COMP,B MARK,WHITE | 1 | | |
| 59302 | 59302-0093 | SHEAVE-COMP,A MARK,BLUE | 1 | | |

| Callout | Part Number | Description | Qty | Remarks | |
|---------|-------------|---------------------------|-----|---------|--|
| 59302 | 59302-0094 | SHEAVE-COMP,C MARK,YELLOW | 1 | | |
| 92019 | 92019-008 | NUT,LOCK,6MM | 8 | | |
| 92028 | 92028-1975 | BUSHING | 1 | | |
| 92028A | 92028-1980 | BUSHING | 1 | | |
| 92043 | 92043-0809 | PIN | 4 | | |
| 92043A | 92043-1263 | PIN,6.2X8X14 | 2 | | |
| 92055 | 92055-0753 | RING-O,59.5X2.4 | 1 | | |
| 92055A | 92055-0789 | RING-O,3.5X39.7 | 1 | | |
| 92066 | 92066-0784 | PLUG | 1 | | |
| 92139 | 92139-1103 | BUSHING,9X11X19.75 | 4 | | |
| 92145 | 92145-1670 | SPRING | 1 | | |

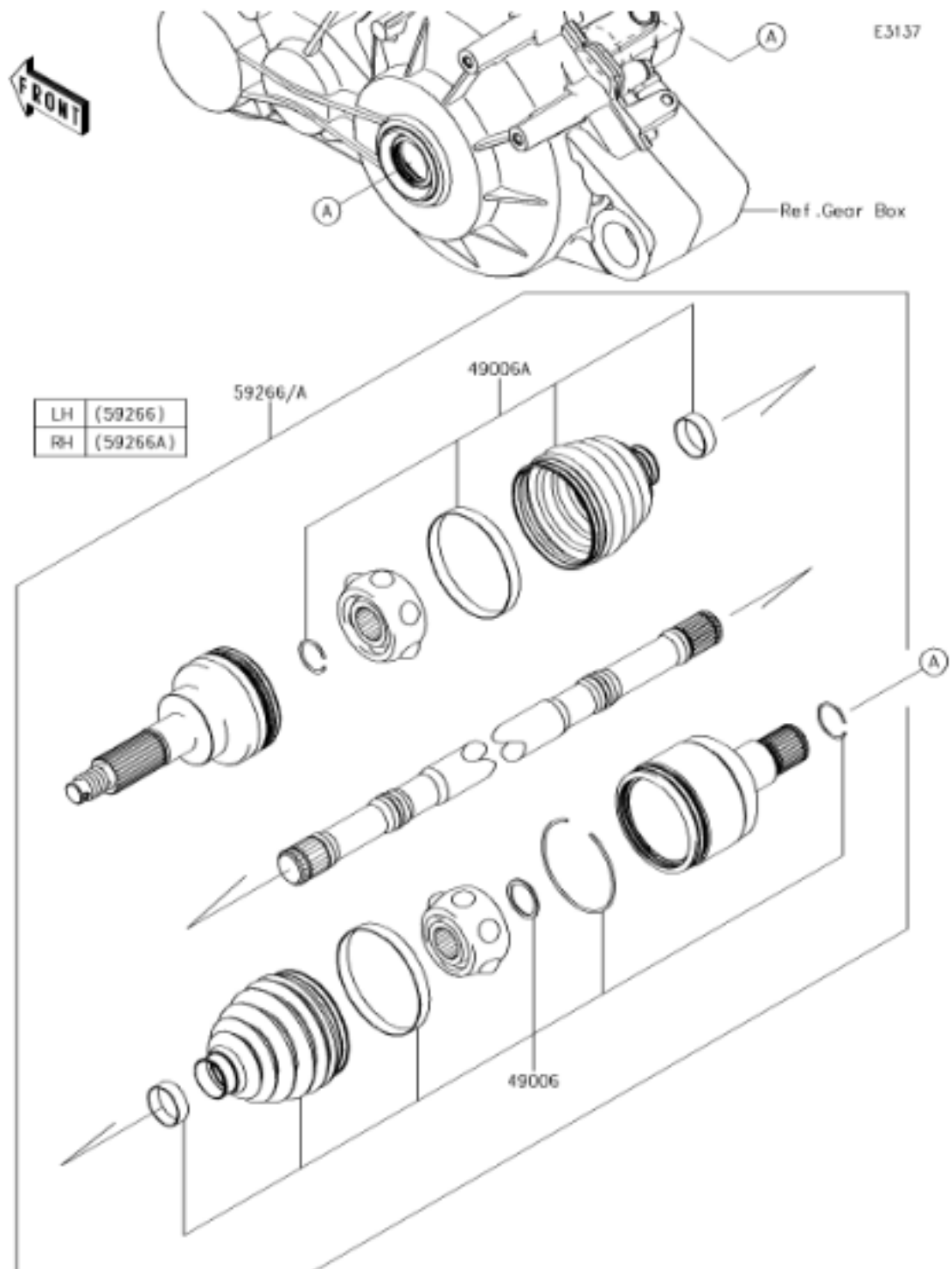
E3136



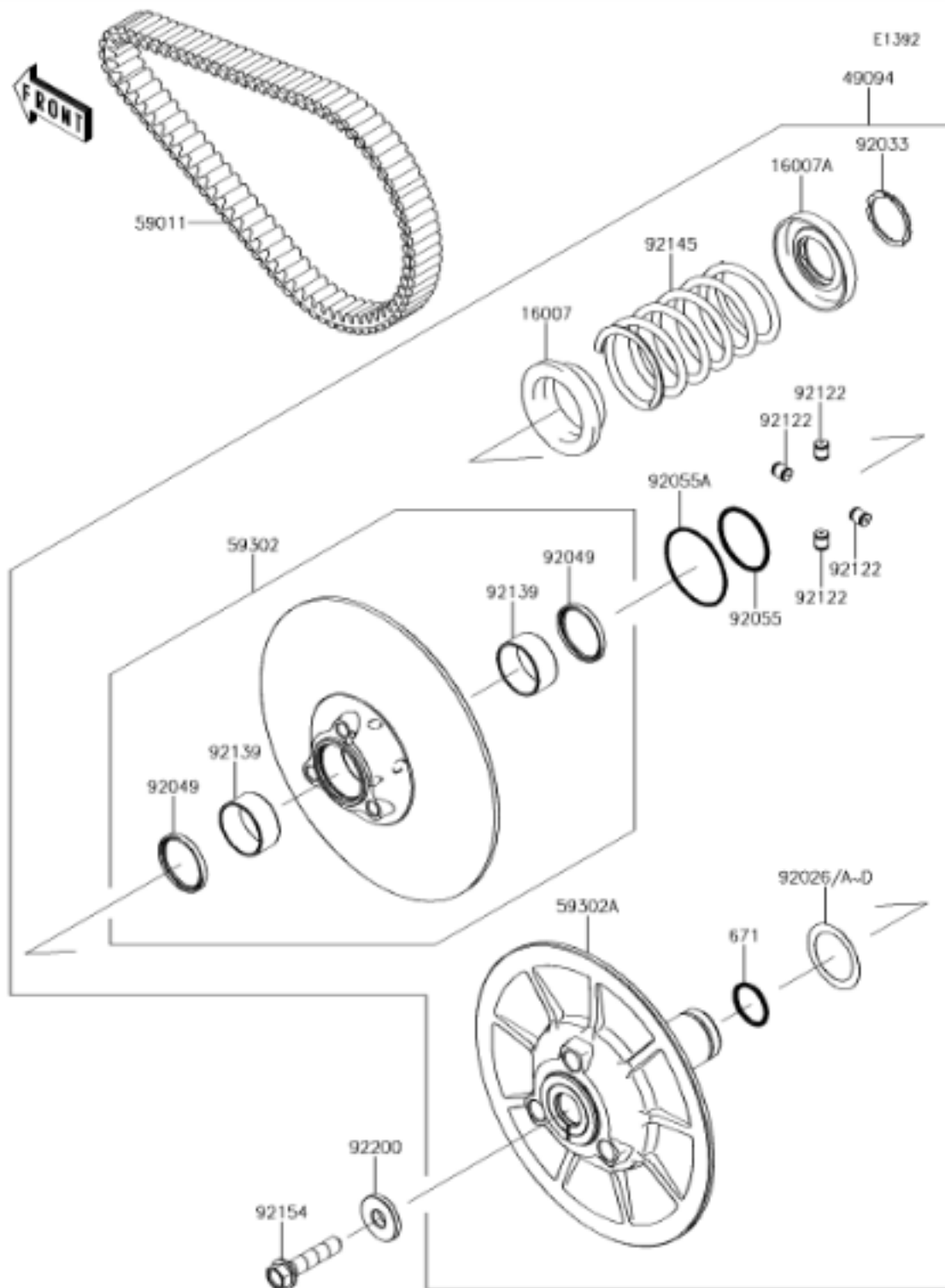
| Callout | Part Number | Description | Qty | Remarks | |
|---------|-------------|------------------------------|-----|---------|--|
| 13101 | 13101-0662 | GEAR-ASSY,FRONT DIFFERENTIAL | 1 | | |
| 42036 | 42036-0741 | SLEEVE | 1 | | |
| 49006 | 49006-0578 | BOOT,INSIDE | 2 | | |
| 49006A | 49006-0584 | BOOT,OUTSIDE | 2 | | |
| 59266 | 59266-0710 | JOINT-BALL,FR | 2 | | |
| 92026 | 92026-0776 | SPACER | 1 | | |
| 92049 | 92049-0760 | SEAL-OIL,33X60X7 | 2 | | |
| 92049A | 92049-0766 | SEAL-OIL,44X72X7 | 1 | | |
| 92055 | 92055-0788 | RING-O | 1 | | |
| 92055A | 92055-0830 | RING-O,15.3X2.2 | 2 | | |
| 92066 | 92066-0777 | PLUG | 1 | | |
| 92066A | 92066-0778 | PLUG | 1 | | |
| 92072 | 92072-056 | BAND,L=186 | 1 | | |
| 92154 | 92154-1370 | BOLT,FLANGED,8X30 | 10 | | |
| 92170 | 92170-2082 | CLAMP | 1 | | |
| 92192 | 92192-1341 | TUBE,BREATHER | 1 | | |
| 92210 | 92210-0894 | NUT | 1 | | |



| Callout | Part Number | Description | Qty | Remarks | |
|---------|-------------|-------------------------|-----|---------|--|
| 130 | 130BA0818 | BOLT-FLANGED,8X18 | 4 | | |
| 13310 | 13310-0038 | SHAFT-ASSY | 1 | | |
| 14093 | 14093-0006 | COVER,SIDE RIP | 2 | | |
| 39159 | 39159-0045 | SHAFT-DRIVE | 1 | | |
| 43058 | 43058-0018 | RING | 3 | | |
| 49050 | 49050-0034 | SPIDER | 1 | | |
| 59266 | 59266-0716 | JOINT-BALL,T/M SIDE | 1 | | |
| 59266A | 59266-0717 | JOINT-BALL,FR DIFF SIDE | 1 | | |
| 92015 | 92015-1432 | NUT,8MM | 2 | | |
| 92138 | 92138-0002 | BEARING-COMP | 2 | | |
| 92154 | 92154-1365 | BOLT,FLANGED,8X46 | 2 | | |

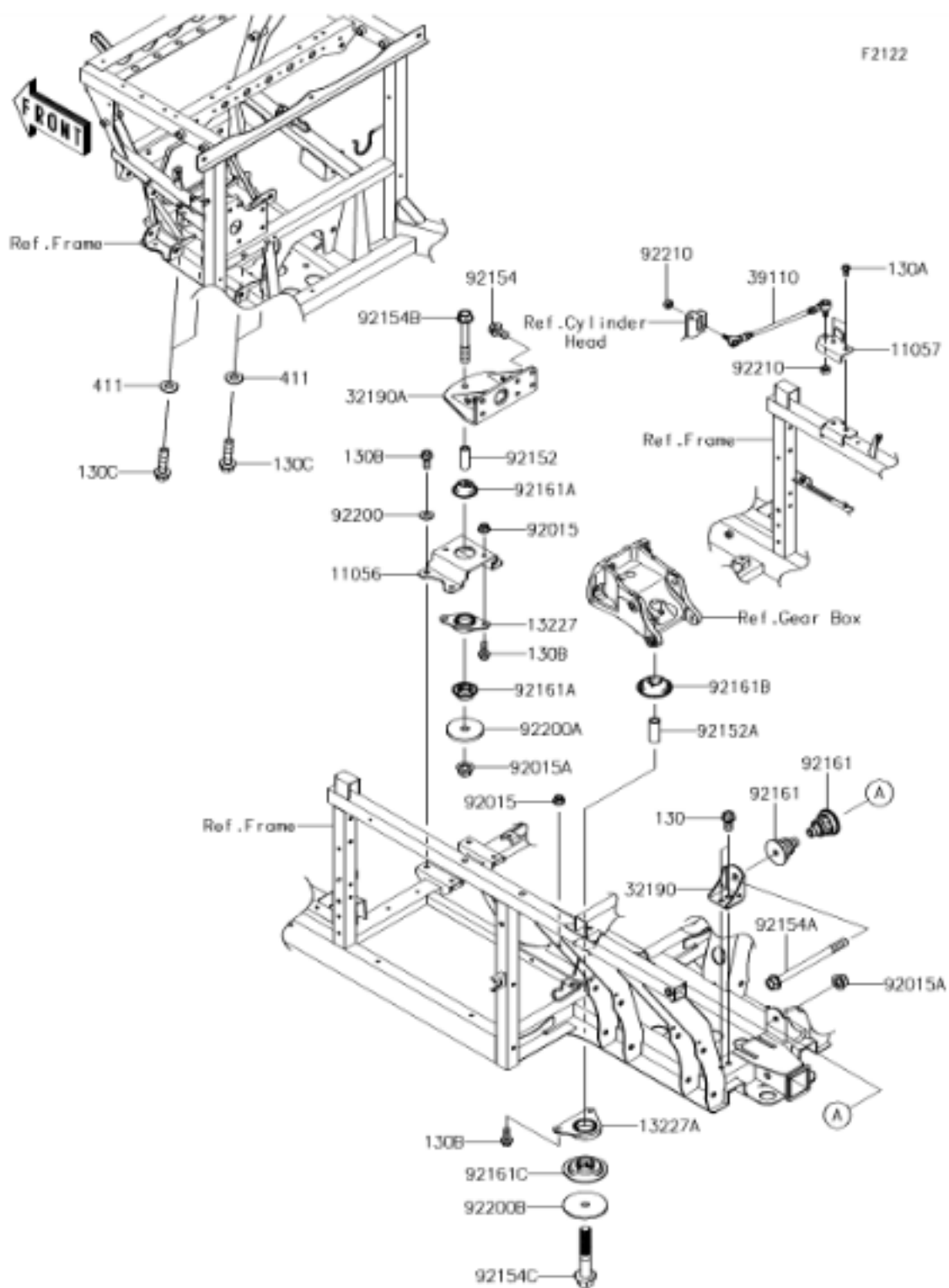


| Callout | Part Number | Description | Qty | Remarks | |
|---------|-------------|------------------|-----|---------|--|
| 49006 | 49006-0585 | BOOT,INSIDE | 2 | | |
| 49006A | 49006-0586 | BOOT,OUTSIDE | 2 | | |
| 59266 | 59266-0049 | JOINT-BALL,RR,LH | 1 | | |
| 59266 | 59266-0050 | JOINT-BALL,RR,RH | 1 | | |



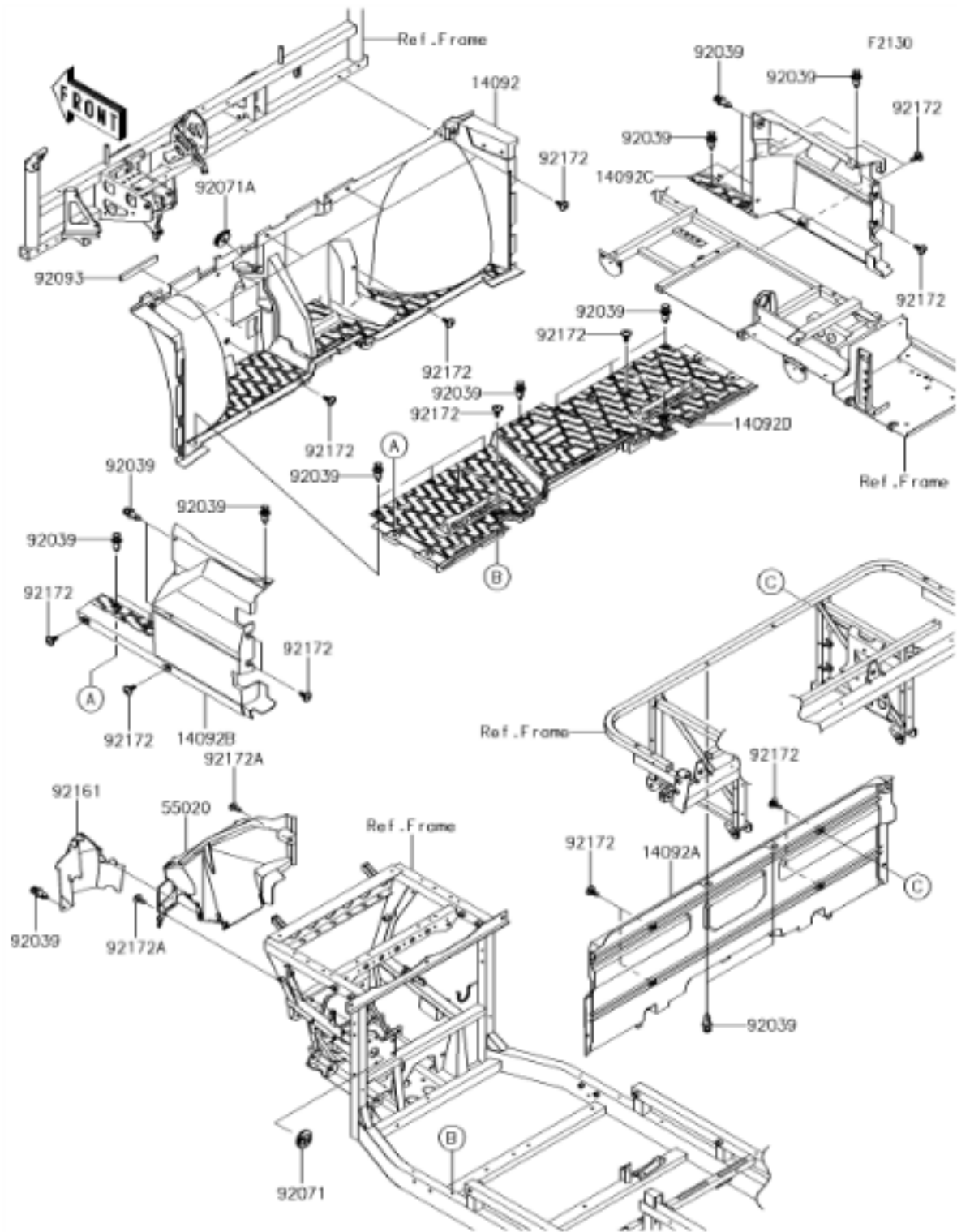
| Callout | Part Number | Description | Qty | Remarks | |
|---------|-------------|-----------------------|-----|---------|--|
| 671 | 671D2530 | O RING | 1 | | |
| 16007 | 16007-0049 | SEAT-SPRING,MOVABLE | 1 | | |
| 16007A | 16007-0050 | SEAT-SPRING,FIXED | 1 | | |
| 49094 | 49094-0095 | CONVERTER-ASSY-DRIVEN | 1 | | |
| 59011 | 59011-0037 | BELT,CVT | 1 | | |
| 59302 | 59302-0049 | SHEAVE-COMP,MOVABLE | 1 | | |
| 59302A | 59302-0095 | SHEAVE-COMP,FIXED | 1 | | |
| 92026 | 92026-0034 | SPACER,T=0.30 | AR | | |
| 92026 | 92026-1565 | SPACER,T=1.00 | AR | | |
| 92026 | 92026-1569 | SPACER,T=0.60 | AR | | |
| 92026 | 92026-1570 | SPACER,T=1.40 | AR | | |
| 92026 | 92026-1617 | SPACER,T=0.80 | AR | | |
| 92033 | 92033-1317 | RING-SNAP | 1 | | |
| 92049 | 92049-1528 | SEAL-OIL | 2 | | |
| 92055 | 92055-0752 | RING-O,46.4X3.1 | 1 | | |
| 92055A | 92055-0753 | RING-O,59.5X2.4 | 1 | | |
| 92122 | 92122-0043 | ROLLER | 4 | | |
| 92139 | 92139-0313 | BUSHING | 2 | | |
| 92145 | 92145-1671 | SPRING | 1 | | |

| Callout | Part Number | Description | Qty | Remarks | |
|----------------|--------------------|--------------------|------------|----------------|--|
| 92154 | 92154-1336 | BOLT,FLANGED,12X55 | 1 | | |
| 92200 | 92200-0069 | WASHER | 1 | | |



| Callout | Part Number | Description | Qty | Remarks | |
|---------|-------------|-----------------------|-----|---------|--|
| 130 | 130BA1020 | BOLT-FLANGED,10X20 | 2 | | |
| 130A | 130CA0818 | BOLT-FLANGED,8X18 | 2 | | |
| 130B | 130CA0820 | BOLT-FLANGED,8X20 | 8 | | |
| 130C | 130CA1245 | BOLT-FLANGED,12X45 | 4 | | |
| 411 | 411AA1200 | WASHER-PLAIN,12MM | 4 | | |
| 11056 | 11056-7475 | BRACKET | 1 | | |
| 11057 | 11057-1233 | BRACKET,TORQUE ROD | 1 | | |
| 13227 | 13227-0031 | HOUSING | 1 | | |
| 13227A | 13227-0032 | HOUSING | 1 | | |
| 32190 | 32190-0662 | BRACKET-ENGINE | 1 | | |
| 32190A | 32190-0701 | BRACKET-ENGINE,FR | 1 | | |
| 39110 | 39110-0046 | ROD-ASSY-TIE | 1 | | |
| 92015 | 92015-1397 | NUT,LOCK,FLANGED,8MM | 4 | | |
| 92015A | 92015-1433 | NUT,LOCK,FLANGED,12MM | 2 | | |
| 92152 | 92152-1802 | COLLAR,13X19.1X54 | 1 | | |
| 92152A | 92152-2127 | COLLAR,17X23.8X54.5 | 1 | | |
| 92154 | 92154-1321 | BOLT,FLANGED,10X20 | 6 | | |
| 92154A | 92154-1322 | BOLT,FLANGED,12X150 | 1 | | |
| 92154B | 92154-1419 | BOLT,FLANGED,12X80 | 1 | | |

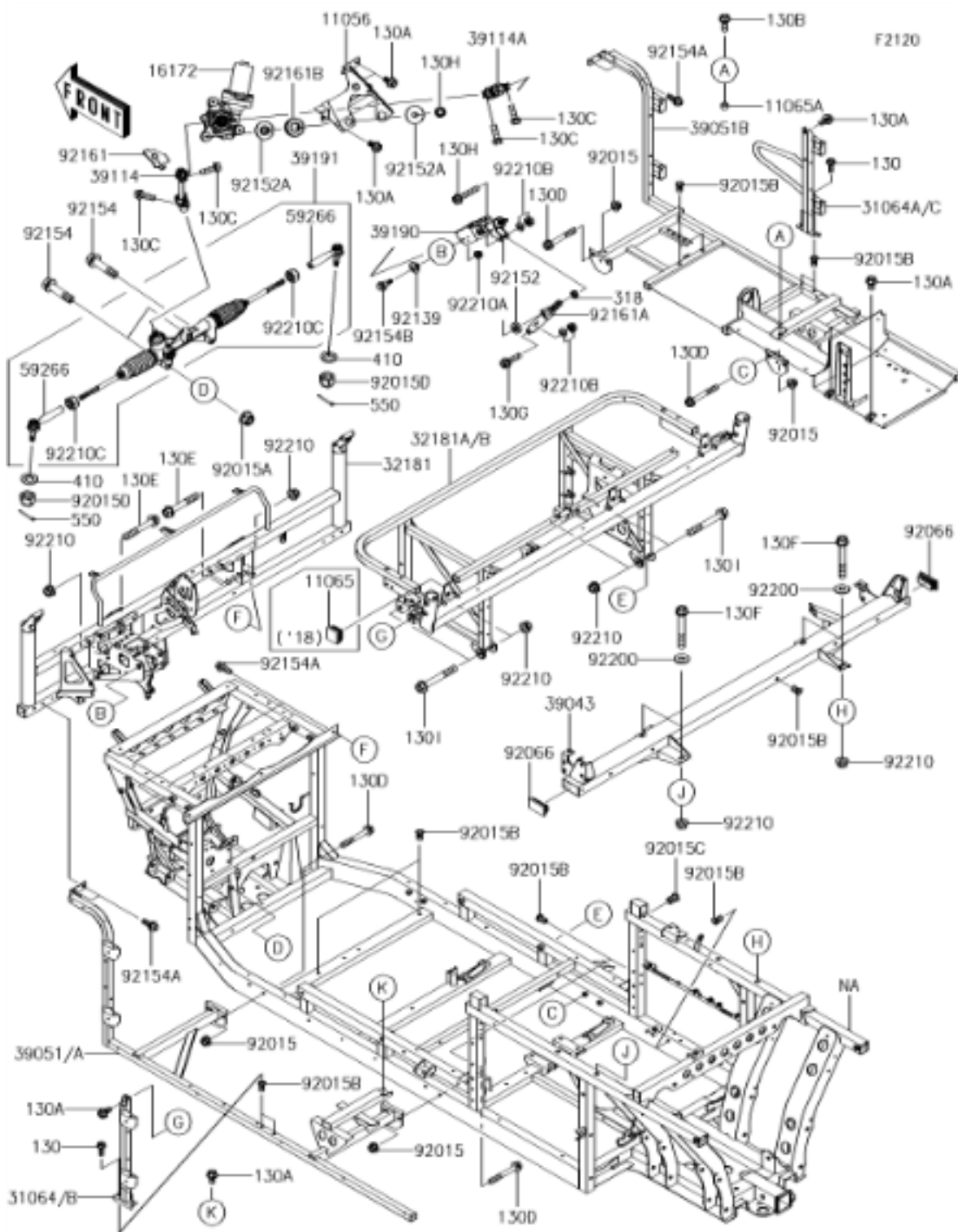
| Callout | Part Number | Description | Qty | Remarks | |
|---------|-------------|----------------------|-----|---------|--|
| 92154C | 92154-1763 | BOLT,FLANGED,16X86 | 1 | | |
| 92161 | 92161-1616 | DAMPER | 2 | | |
| 92161A | 92161-1617 | DAMPER | 2 | | |
| 92161B | 92161-1618 | DAMPER | 1 | | |
| 92161C | 92161-1619 | DAMPER | 1 | | |
| 92200 | 92200-0205 | WASHER,8.2X20.0X2.5 | 4 | | |
| 92200A | 92200-0913 | WASHER,12.5X55X4.76 | 1 | | |
| 92200B | 92200-1747 | WASHER,16.5X100X4.76 | 1 | | |
| 92210 | 92210-0606 | NUT,LOCK,8MM | 2 | | |



| Callout | Part Number | Description | Qty | Remarks | |
|---------|-------------|--------------------|-----|---------|--|
| 14092 | 14092-1184 | COVER,FR FLOOR | 1 | | |
| 14092A | 14092-1185 | COVER,FR SEAT | 1 | | |
| 14092B | 14092-1188 | COVER,SIDE,LH,FR | 1 | | |
| 14092C | 14092-1189 | COVER,SIDE,RH,FR | 1 | | |
| 14092D | 14092-1196 | COVER,FLOOR,BOTTOM | 1 | | |
| 55020 | 55020-0961 | GUARD | 1 | | |
| 92039 | 92039-0776 | RIVET | 20 | | |
| 92071 | 92071-0728 | GROMMET,9X45X9 | 1 | | |
| 92071A | 92071-0753 | GROMMET,8X22X8 | 1 | | |
| 92093 | 92093-0617 | SEAL,10X20X165 | 1 | | |
| 92161 | 92161-1649 | DAMPER | 1 | | |
| 92172 | 92172-0711 | SCREW,6X16 | 22 | | |
| 92172A | 92172-0739 | SCREW,TAPPING,6X16 | 2 | | |

| Callout | Part Number | Description | Qty | Remarks | |
|---------|-------------|-------------------------------|-----|---------|--|
| 13272 | 13272-1828 | PLATE,LATCH | 2 | | |
| 14092 | 14092-1186 | COVER,RR FLOOR,FR | 1 | | |
| 14092A | 14092-1190 | COVER,SIDE,LH,RR | 1 | | |
| 14092B | 14092-1191 | COVER,SIDE,RH,RR | 1 | | |
| 14092C | 14092-1196 | COVER,FLOOR,BOTTOM | 1 | | |
| 14093 | 14093-0296 | COVER,DUST | 1 | | |
| 14093A | 14093-0366 | COVER,A/C | 1 | | |
| 14093B | 14093-0367 | COVER,RR SEAT | 1 | | |
| 14093C | 14093-0388 | COVER,RR,FLOOR,MUD,LH | 1 | | |
| 14093D | 14093-0389 | COVER,RR,FLOOR,MUD,RH | 1 | | |
| 14093E | 14093-0634 | COVER,MAINTENANCE ROOM,RUBBER | 1 | | |
| 16073 | 16073-0814 | INSULATOR,LH | 1 | | |
| 16073A | 16073-0815 | INSULATOR,RH | 1 | | |
| 27012 | 27012-0806 | HOOK,STRIKER | 1 | | |
| 49031 | 49031-0007 | LATCH,A/C | 1 | | |
| 49031A | 49031-0015 | LATCH,TOGGLE | 1 | | |
| 92027 | 92027-1168 | COLLAR,L=4.6 | 2 | | |
| 92039 | 92039-0086 | RIVET | 12 | | |
| 92039A | 92039-0739 | RIVET,3.2X13.4 | 4 | | |

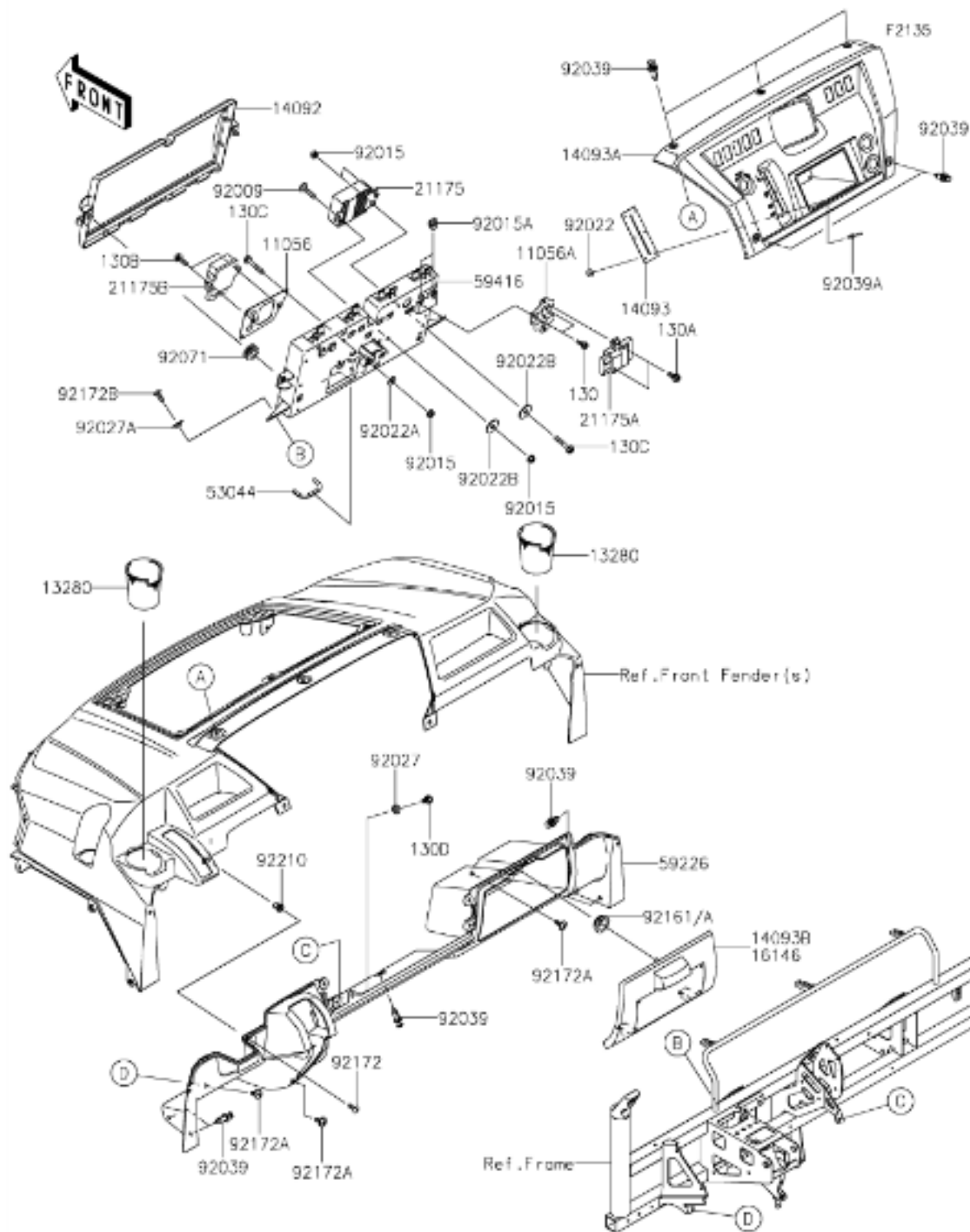
| Callout | Part Number | Description | Qty | Remarks | |
|---------|-------------|---------------------|-----|---------|--|
| 92039B | 92039-0747 | RIVET | 4 | | |
| 92039C | 92039-0776 | RIVET | 29 | | |
| 92066 | 92066-0812 | PLUG,36X20 | 2 | | |
| 92075 | 92075-1808 | DAMPER,6X10X15 | 2 | | |
| 92075A | 92075-261 | DAMPER,RUBBER | 3 | | |
| 92093 | 92093-0631 | SEAL,DUST,20X20X565 | 1 | | |
| 92093A | 92093-0633 | SEAL,DUST,20X25X280 | 1 | | |
| 92093B | 92093-0642 | SEAL,165X50X25 | 1 | | |
| 92093C | 92093-0643 | SEAL,DUST,61X368X10 | 1 | | |
| 92093D | 92093-0644 | SEAL,DUST,39X255X15 | 1 | | |
| 92093E | 92093-0645 | SEAL,DUST,69X207X10 | 1 | | |
| 92093F | 92093-0646 | SEAL,DUST,15X305X20 | 1 | | |
| 92093G | 92093-0651 | SEAL,52X72X20 | 1 | | |
| 92093H | 92093-0652 | SEAL,21.5X60X20 | 1 | | |
| 92093I | 92093-0716 | SEAL,99X85X30 | 1 | | |
| 92161 | 92161-1827 | DAMPER,25X60X3.175 | 1 | | |
| 92172 | 92172-0236 | SCREW,6X16 | 2 | | |
| 92172A | 92172-0711 | SCREW,6X16 | 20 | | |



| Callout | Part Number | Description | Qty | Remarks | |
|---------|-------------|----------------------------|-----|---------|--|
| 130 | 130BA0618 | BOLT-FLANGED,6X18 | 4 | | |
| 130A | 130BA0814 | BOLT-FLANGED,8X14 | 9 | | |
| 130B | 130BA0822 | BOLT-FLANGED,8X22 | 1 | | |
| 130C | 130BA0825 | BOLT-FLANGED,8X25 | 4 | | |
| 130D | 130BA0860 | BOLT-FLANGED,8X60 | 8 | | |
| 130E | 130BA1065 | BOLT-FLANGED,10X65 | 4 | | |
| 130F | 130BA1070 | BOLT-FLANGED,10X70 | 4 | | |
| 130G | 130CA0830 | BOLT-FLANGED,8X30 | 1 | | |
| 130H | 130CA0845 | BOLT-FLANGED,8X45 | 4 | | |
| 130I | 130CA1075 | BOLT-FLANGED,10X75 | 4 | | |
| 318 | 318BA0800 | NUT-HEX-SMALL,8MM | 1 | | |
| 410 | 410AA1400 | WASHER-PLAIN-SMALL,14MM | 2 | | |
| 550 | 550AA3025 | PIN-COTTER,3.0X25 | 2 | | |
| 11056 | 11056-2838 | BRACKET | 1 | | |
| 11065 | 11065-0901 | CAP | 1 | | |
| 11065A | 11065-7504 | CAP | 1 | | |
| 16172 | 16172-0557 | ACTUATOR,EPS | 1 | | |
| 31064 | 31064-0704 | PIPE-COMP,RR DOOR HINGE,LH | 1 | | |
| 31064A | 31064-0705 | PIPE-COMP,RR DOOR HINGE,RH | 1 | | |

| Callout | Part Number | Description | Qty | Remarks | |
|---------|-------------|---------------------------|-----|---------|--|
| 32181 | 32181-0011 | FRAME-SUB-COMP,DASH PANEL | 1 | | |
| 32181A | 32181-0014 | FRAME-SUB-COMP,SEAT | 1 | | |
| 39043 | 39043-0025 | CROSSMEMBER-COMP,C PILLAR | 1 | | |
| 39051 | 39051-0011 | FRAME-COMP-SIDE,LH | 1 | | |
| 39051B | 39051-0013 | FRAME-COMP-SIDE,RH | 1 | | |
| 39114 | 39114-0015 | SHAFT-COMP-STRG | 1 | | |
| 39114A | 39114-0019 | SHAFT-COMP-STRG | 1 | | |
| 39190 | 39190-0006 | SHAFT-ASSY-STEERING | 1 | | |
| 39191 | 39191-0030 | GEAR-ASSY-STEERING | 1 | | |
| 59266 | 59266-0712 | JOINT-BALL | 2 | | |
| 92015 | 92015-1432 | NUT,8MM | 8 | | |
| 92015A | 92015-1433 | NUT,LOCK,FLANGED,12MM | 3 | | |
| 92015B | 92015-1791 | NUT,POP,6MM,L=15 | 12 | | |
| 92015C | 92015-1793 | NUT,POP,8MM,L=16.5 | 1 | | |
| 92015D | 92015-1841 | NUT,CASTLE,14MM | 2 | | |
| 92066 | 92066-7505 | PLUG | 2 | | |
| 92139 | 92139-0230 | BUSHING | 2 | | |
| 92152 | 92152-1848 | COLLAR,8.2X18X5 | 1 | | |
| 92152A | 92152-2149 | COLLAR,8.5X30X10.6 | 6 | | |

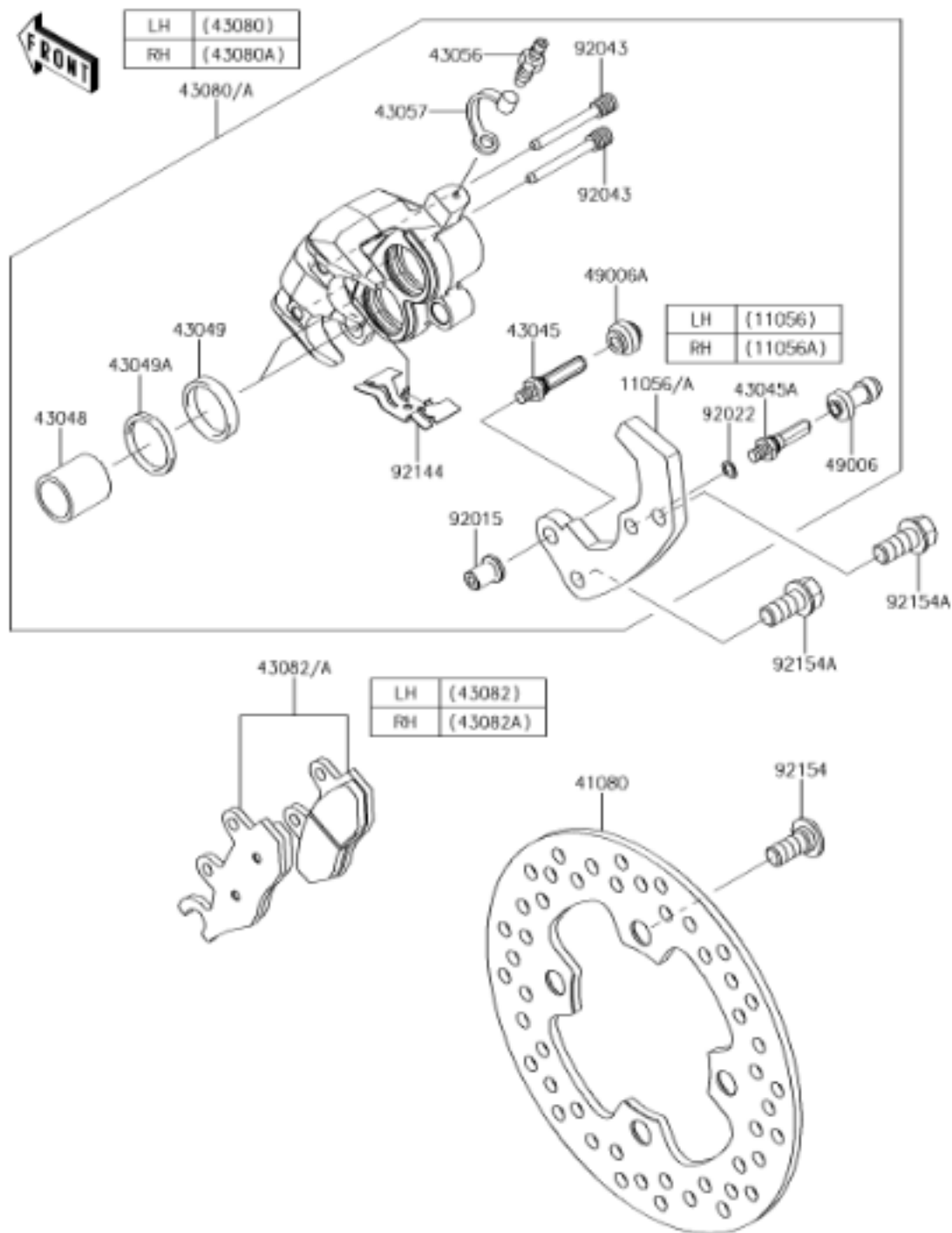
| Callout | Part Number | Description | Qty | Remarks | |
|---------|-------------|-----------------------|-----|---------|--|
| 92154 | 92154-1008 | BOLT,FLANGED,12X50 | 3 | | |
| 92154A | 92154-1226 | BOLT,FLANGED,8X20 | 7 | | |
| 92154B | 92154-1320 | BOLT,6X21.5 | 2 | | |
| 92161 | 92161-1689 | DAMPER | 1 | | |
| 92161A | 92161-1825 | DAMPER,GAS SPRING | 1 | | |
| 92161B | 92161-7517 | DAMPER,ACTUATOR | 3 | | |
| 92200 | 92200-1595 | WASHER,10.5X25X1.6 | 4 | | |
| 92210 | 92210-0276 | NUT,LOCK,FLANGED,10MM | 12 | | |
| 92210A | 92210-0303 | NUT,LOCK,FLANGED,6MM | 2 | | |
| 92210B | 92210-0934 | NUT,HARD LOCK,8MM | 2 | | |
| 92210C | 92210-0969 | NUT,16MM | 2 | | |



| Callout | Part Number | Description | Qty | Remarks | |
|---------|-------------|-------------------------------|-----|---------|--|
| 130 | 130BA0516 | BOLT-FLANGED,5X16 | 2 | | |
| 130A | 130BA0616 | BOLT-FLANGED,6X16 | 2 | | |
| 130B | 130BA0618 | BOLT-FLANGED,6X18 | 2 | | |
| 130C | 130BA0635 | BOLT-FLANGED,6X35 | 5 | | |
| 130D | 130CA0616 | BOLT-FLANGED,6X16 | 1 | | |
| 11056 | 11056-7476 | BRACKET,SOLENOID | 1 | | |
| 11056A | 11056-7477 | BRACKET,CONTROLLER | 1 | | |
| 13280 | 13280-0774 | HOLDER,CUP | 2 | | |
| 14092 | 14092-1197 | COVER,ELECTRIC BOX | 1 | | |
| 14093 | 14093-0146 | COVER,SHIFT LEVER | 1 | | |
| 14093A | 14093-0306 | COVER,DASHBOARD | 1 | | |
| 14093B | 14093-0611 | COVER,GLOVE BOX | 1 | | |
| 21175 | 21175-1103 | ECU,ELECTRIC POWER STEERING | 1 | | |
| 21175A | 21175-1105 | ECU,VEHICLE CONTROLLER(DRIVE) | 1 | | |
| 21175B | 21175-1113 | ECU,AIR PRESSURE SENSOR(FUEL) | 1 | | |
| 53044 | 53044-0572 | TRIM | 1 | | |
| 59226 | 59226-0042 | PANEL-CONTROL | 1 | | |
| 59416 | 59416-0025 | CASE-ELECTRIC | 1 | | |
| 92009 | 92009-1400 | SCREW,6X28,BLACK | 1 | | |

| Callout | Part Number | Description | Qty | Remarks | |
|---------|-------------|--------------------|-----|---------|--|
| 92015 | 92015-1367 | NUT,FLANGED,6MM | 6 | | |
| 92015A | 92015-1627 | NUT,5MM | 2 | | |
| 92022 | 92022-1407 | WASHER,3.3X12X1.2 | 6 | | |
| 92022A | 92022-2247 | WASHER | 3 | | |
| 92022B | 92022-237 | WASHER,6.5X22X1.6 | 3 | | |
| 92027 | 92027-1168 | COLLAR,L=4.6 | 1 | | |
| 92027A | 92027-1260 | COLLAR,L=5.1 | 2 | | |
| 92039 | 92039-0776 | RIVET | 10 | | |
| 92039A | 92039-1231 | RIVET | 6 | | |
| 92071 | 92071-1131 | GROMMET | 2 | | |
| 92161 | 92161-1953 | DAMPER,7.8X30X11 | 1 | | |
| 92172 | 92172-0292 | SCREW,5MM | 1 | | |
| 92172A | 92172-0711 | SCREW,6X16 | 3 | | |
| 92172B | 92172-0739 | SCREW,TAPPING,6X16 | 2 | | |
| 92210 | 92210-0370 | NUT,WELL,5MM | 1 | | |

F2292



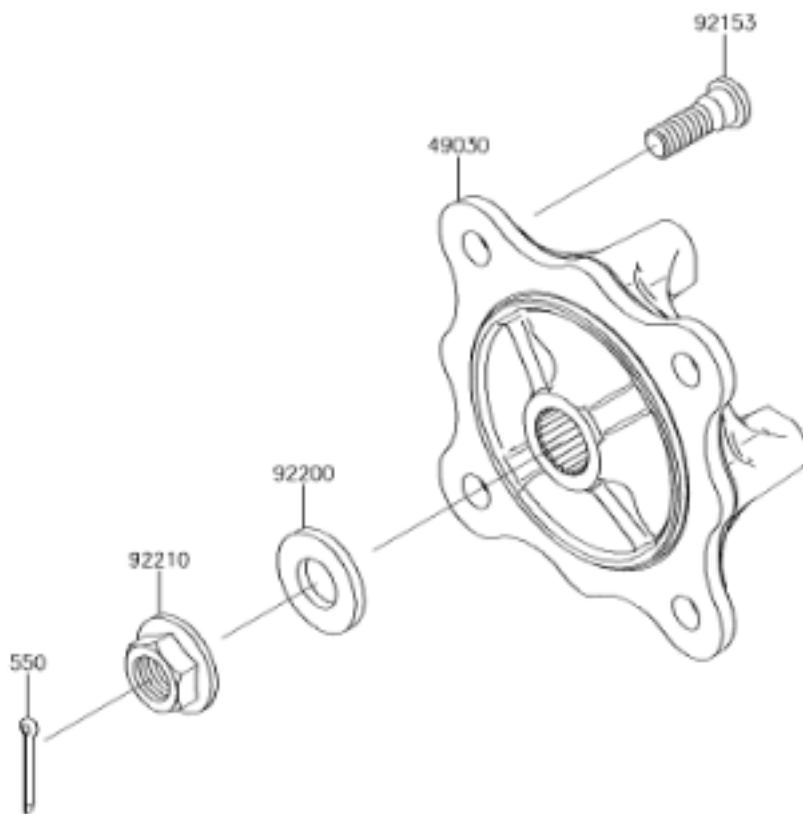
| Callout | Part Number | Description | Qty | Remarks | |
|---------|-------------|------------------------|-----|---------|--|
| 11056 | 11056-3807 | BRACKET,LH | 1 | | |
| 11056 | 11056-3829 | BRACKET,RH | 1 | | |
| 41080 | 41080-0608 | DISC | 2 | | |
| 43045 | 43045-0011 | SHAFT-CALIPER | 2 | | |
| 43045A | 43045-1010 | SHAFT-CALIPER | 2 | | |
| 43048 | 43048-1068 | PISTON-CALIPER | 4 | | |
| 43049 | 43049-1060 | PACKING,PISTON SEAL | 4 | | |
| 43049A | 43049-1061 | PACKING,PISTON SEAL | 4 | | |
| 43056 | 43056-1055 | BREATHER | 2 | | |
| 43057 | 43057-1001 | CAP-BREATHER | 2 | | |
| 43080 | 43080-0138 | CALIPER-SUB-ASSY,FR,LH | 1 | | |
| 43080 | 43080-0139 | CALIPER-SUB-ASSY,FR,RH | 1 | | |
| 43082 | 43082-0138 | PAD-ASSY-BRAKE,FR,LH | 1 | | |
| 43082 | 43082-0146 | PAD-ASSY-BRAKE,FR,RH | 1 | | |
| 49006 | 49006-1088 | BOOT,CALIPER | 2 | | |
| 49006A | 49006-1242 | BOOT,CALIPER | 2 | | |
| 92015 | 92015-1740 | NUT | 2 | | |
| 92022 | 92022-1373 | WASHER,WAVE | 2 | | |
| 92043 | 92043-1416 | PIN,HANGER | 4 | | |

| Callout | Part Number | Description | Qty | Remarks | |
|---------|-------------|--------------------|-----|---------|--|
| 92144 | 92144-1847 | SPRING,PAD | 2 | | |
| 92154 | 92154-0713 | BOLT,SOCKET,10X23 | 8 | | |
| 92154A | 92154-1327 | BOLT,FLANGED,10X22 | 4 | | |

| Callout | Part Number | Description | Qty | Remarks | |
|---------|----------------|--------------------------|-----|---------|--|
| 130 | 130CA0616 | BOLT-FLANGED,6X16 | 3 | | |
| 14092 | 14092-0791 | COVER,CENTER CONSOLE,TOP | 1 | | |
| 14092A | 14092-1177-42S | COVER,OPEN,T.GREEN | 1 | | |
| 14092B | 14092-1194 | COVER,TOP,FR INNER | 1 | | |
| 14093 | 14093-0596 | COVER,SIDE,LH | 1 | | |
| 14093A | 14093-0597 | COVER,SIDE,RH | 1 | | |
| 35004 | 35004-0335-42S | FENDER-FRONT,T.GREEN | 1 | | |
| 49031 | 49031-0008 | LATCH | 2 | | |
| 55022 | 55022-0309 | COVER-HEAD LAMP | 1 | | |
| 92009 | 92009-1621 | SCREW,6X16 | 2 | | |
| 92015 | 92015-1678 | NUT,CLAMP,6MM | 2 | | |
| 92027 | 92027-1168 | COLLAR,L=4.6 | 5 | | |
| 92039 | 92039-0776 | RIVET | 28 | | |
| 92039A | 92039-0785 | RIVET,3.2X9.5 | 4 | | |
| 92077 | 92077-0030 | KNOB | 2 | | |
| 92145 | 92145-1727 | SPRING,17X65 | 2 | | |
| 92152 | 92152-0140 | COLLAR | 2 | | |
| 92161 | 92161-1861 | DAMPER,40X40X10 | 2 | | |
| 92172 | 92172-0284 | SCREW,6X16 | 2 | | |

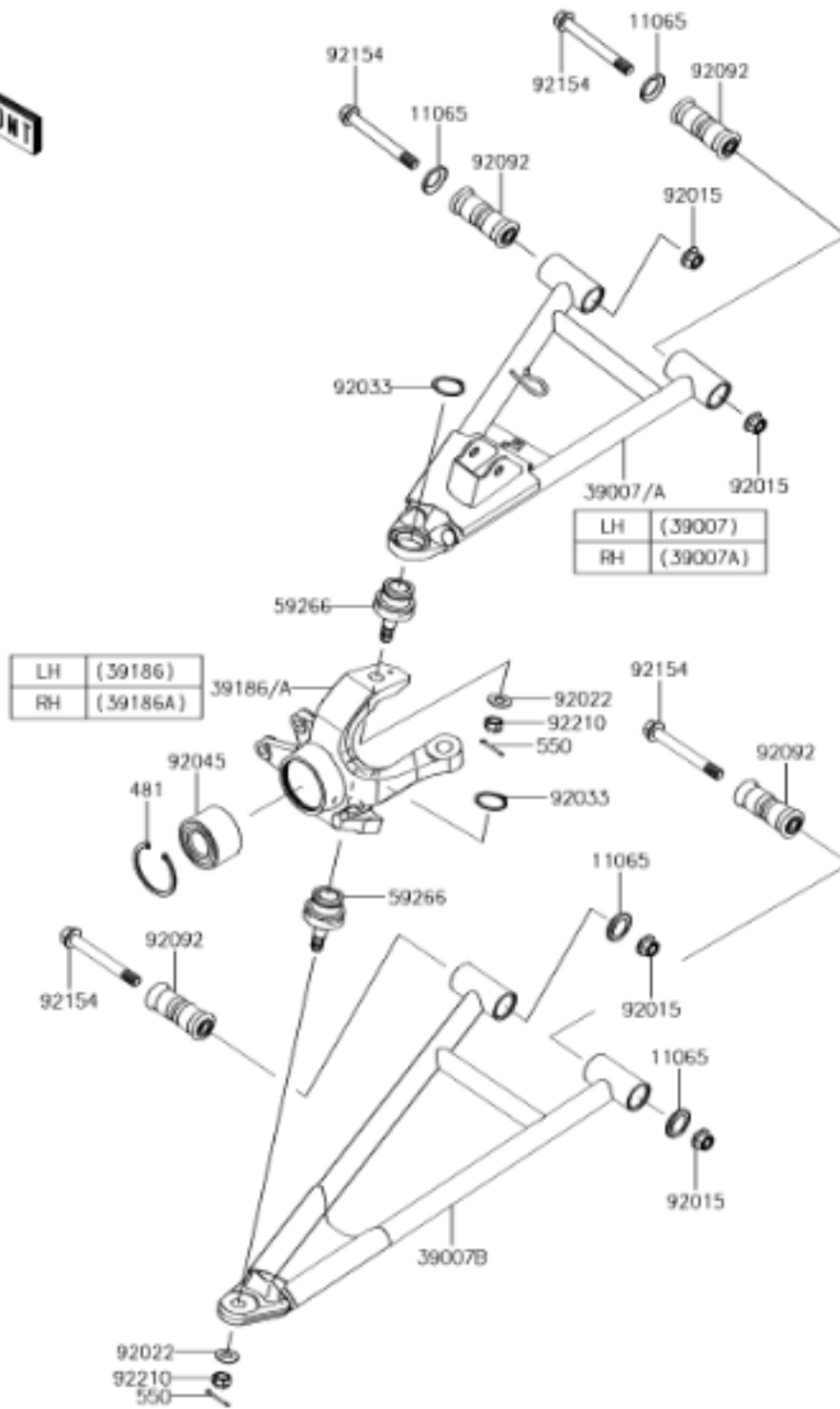
| Callout | Part Number | Description | Qty | Remarks | |
|---------|-------------|-------------|-----|---------|--|
| 92172A | 92172-0711 | SCREW,6X16 | 14 | | |
| 92200 | 92200-0503 | WASHER | 4 | | |

F2230

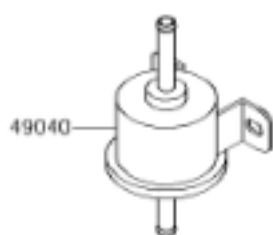
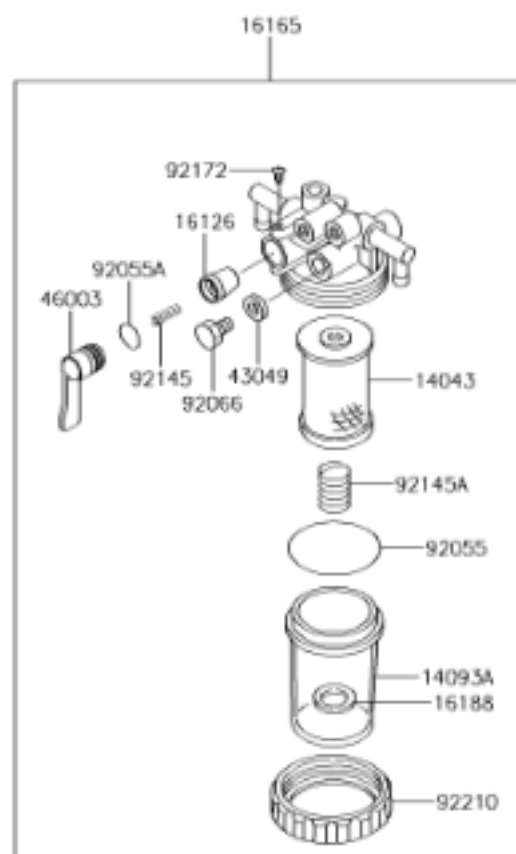
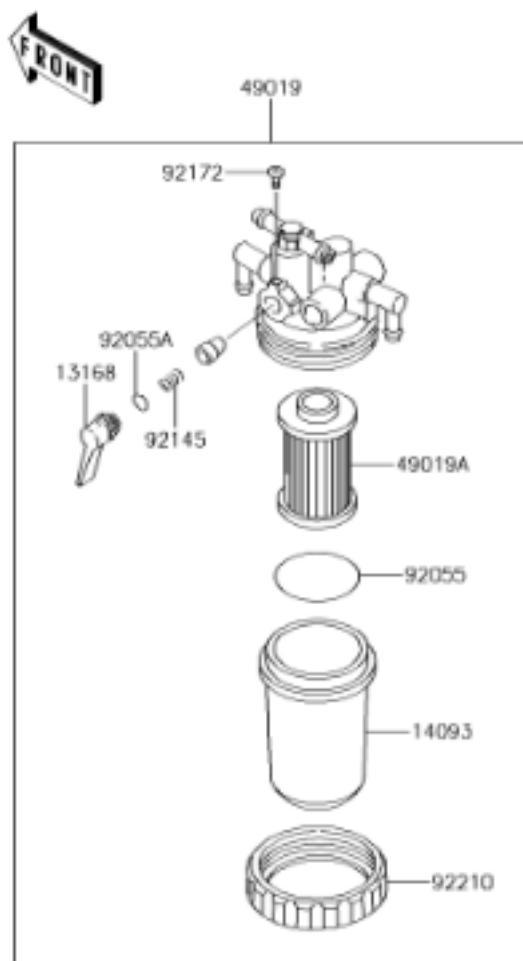


| Callout | Part Number | Description | Qty | Remarks | |
|---------|-------------|--------------------|-----|---------|--|
| 550 | 550AA4030 | PIN-COTTER,4.0X30 | 2 | | |
| 49030 | 49030-0048 | HUB,FR | 2 | | |
| 92153 | 92153-1915 | BOLT,12MM | 8 | | |
| 92200 | 92200-0921 | WASHER,20.3X41X4.5 | 2 | | |
| 92210 | 92210-2093 | NUT,FLANGED,20MM | 2 | | |

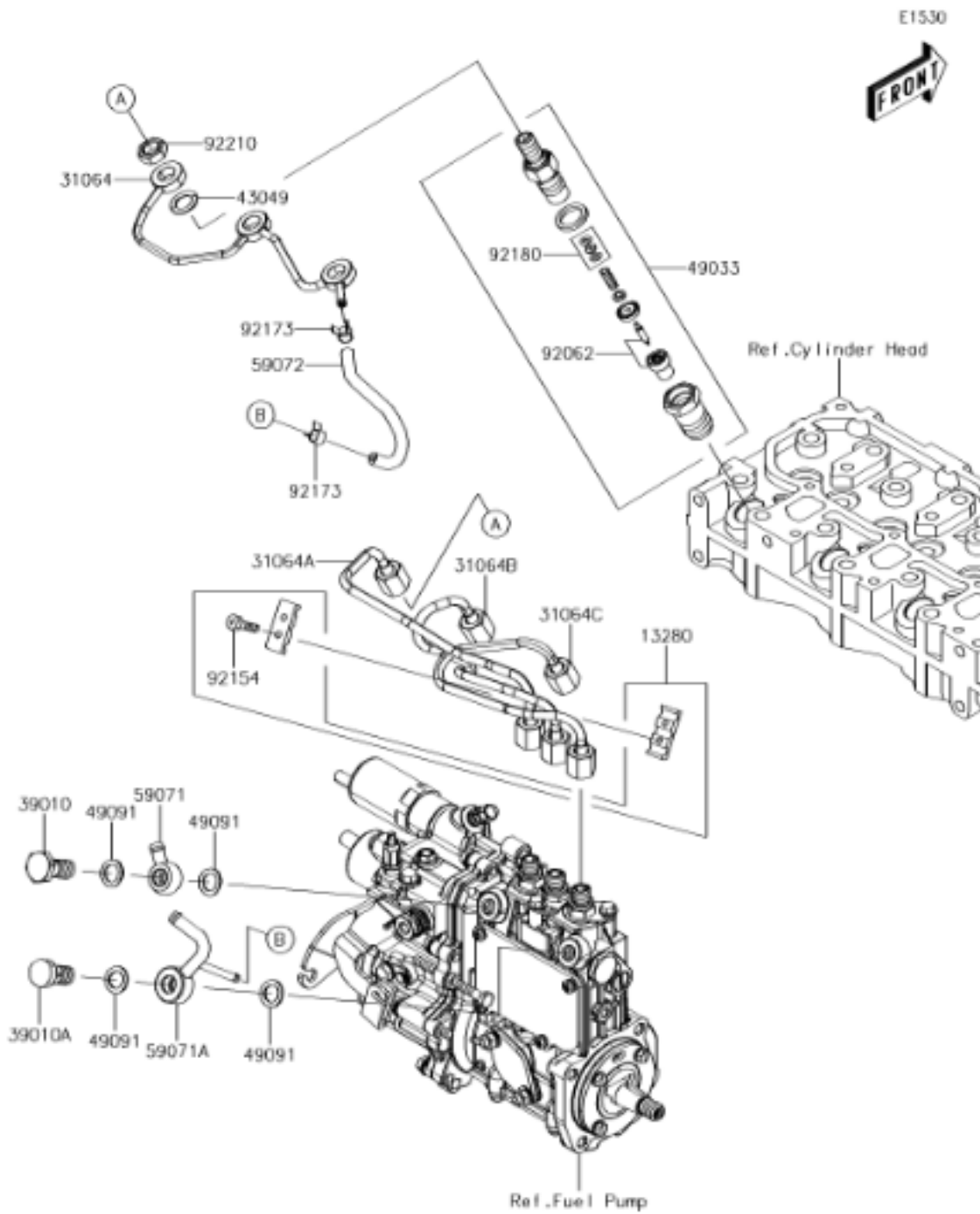
F2152



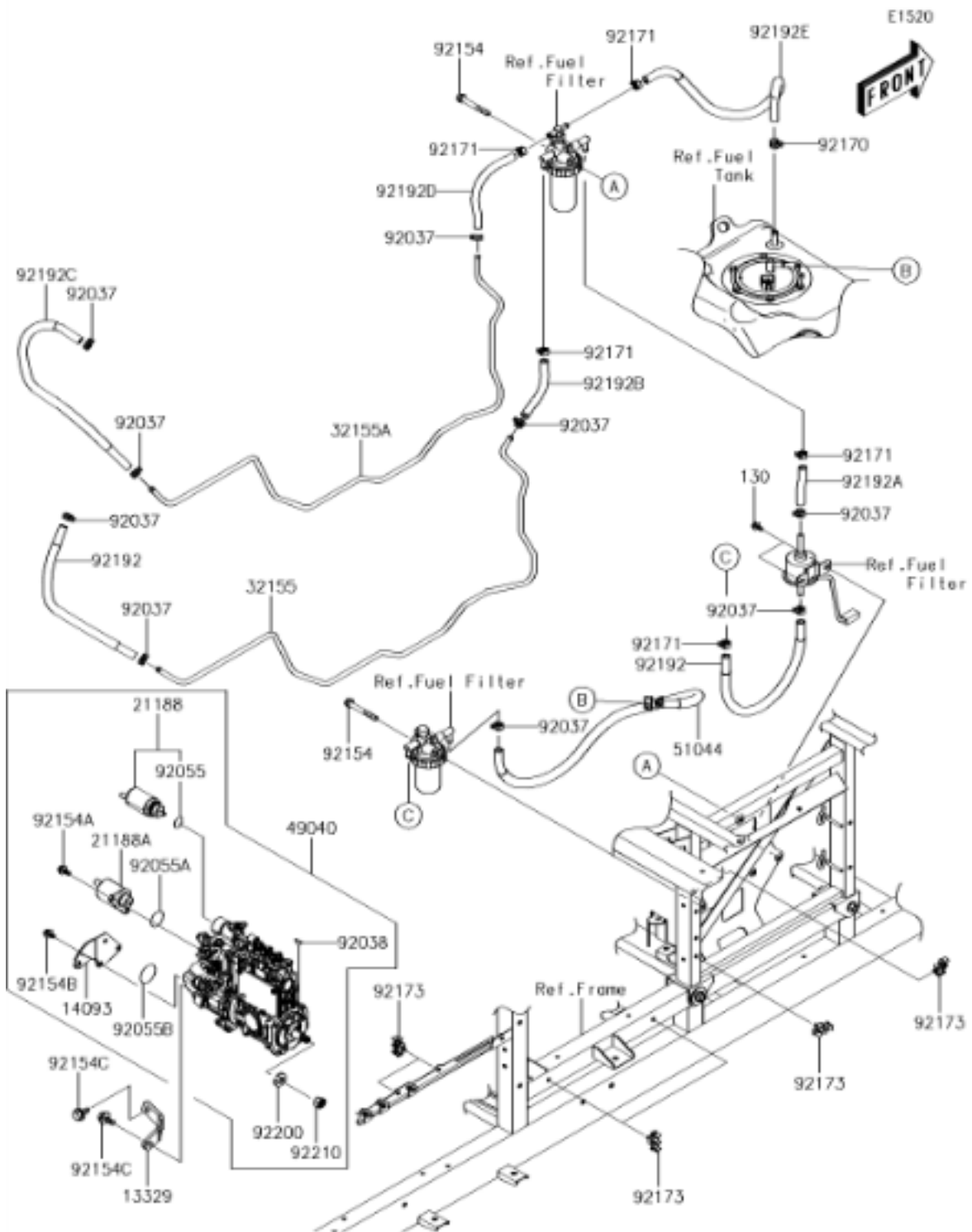
| Callout | Part Number | Description | Qty | Remarks | |
|---------|-------------|-------------------------|-----|---------|--|
| 481 | 481J6000 | CIRCLIP-TYPE-C | 2 | | |
| 550 | 550AA3025 | PIN-COTTER,3.0X25 | 4 | | |
| 11065 | 11065-0838 | CAP,ARM | 8 | | |
| 39007 | 39007-0377 | ARM-SUSP,FR,UPP,LH | 1 | | |
| 39007 | 39007-0378 | ARM-SUSP,FR,UPP,RH | 1 | | |
| 39007B | 39007-0383 | ARM-SUSP,FR,LWR,LH&RH | 2 | | |
| 39186 | 39186-0319 | KNUCKLE,FR,LH | 1 | | |
| 39186 | 39186-0320 | KNUCKLE,FR,RH | 1 | | |
| 59266 | 59266-0711 | JOINT-BALL | 4 | | |
| 92015 | 92015-1433 | NUT,LOCK,FLANGED,12MM | 8 | | |
| 92022 | 92022-1831 | WASHER | 4 | | |
| 92033 | 92033-1262 | RING-SNAP,C-TYPE,32MM | 4 | | |
| 92045 | 92045-0762 | BEARING-BALL,30X60X37 | 2 | | |
| 92092 | 92092-0028 | BUSHING-RUBBER,12X20X78 | 8 | | |
| 92154 | 92154-1318 | BOLT,FLANGED,12X100 | 8 | | |
| 92210 | 92210-0395 | NUT,CASTLE,12MM | 4 | | |



| Callout | Part Number | Description | Qty | Remarks | |
|---------|-------------|---------------------|-----|---------|--|
| 13168 | 13168-0845 | LEVER | 1 | | |
| 14043 | 14043-0018 | FILTER | 1 | | |
| 14093 | 14093-0452 | COVER | 1 | | |
| 14093A | 14093-0453 | COVER | 1 | | |
| 16126 | 16126-0738 | VALVE | 1 | | |
| 16165 | 16165-0012 | SEPARATOR,WATER | 1 | | |
| 16188 | 16188-0038 | FLOAT | 1 | | |
| 43049 | 43049-0046 | PACKING,6X1 | 2 | | |
| 46003 | 46003-0665 | HANDLE | 1 | | |
| 49019 | 49019-0020 | FILTER-FUEL | 1 | | |
| 49019A | 49019-0026 | FILTER-FUEL,ELEMENT | 1 | | |
| 49040 | 49040-0747 | PUMP-FUEL | 1 | | |
| 92055 | 92055-0864 | RING-O | 2 | | |
| 92055A | 92055-0865 | RING-O | 2 | | |
| 92066 | 92066-0856 | PLUG | 2 | | |
| 92145 | 92145-1718 | SPRING,VALVE | 2 | | |
| 92145A | 92145-1719 | SPRING | 1 | | |
| 92172 | 92172-0992 | SCREW | 2 | | |
| 92210 | 92210-1494 | NUT,FILTER | 2 | | |

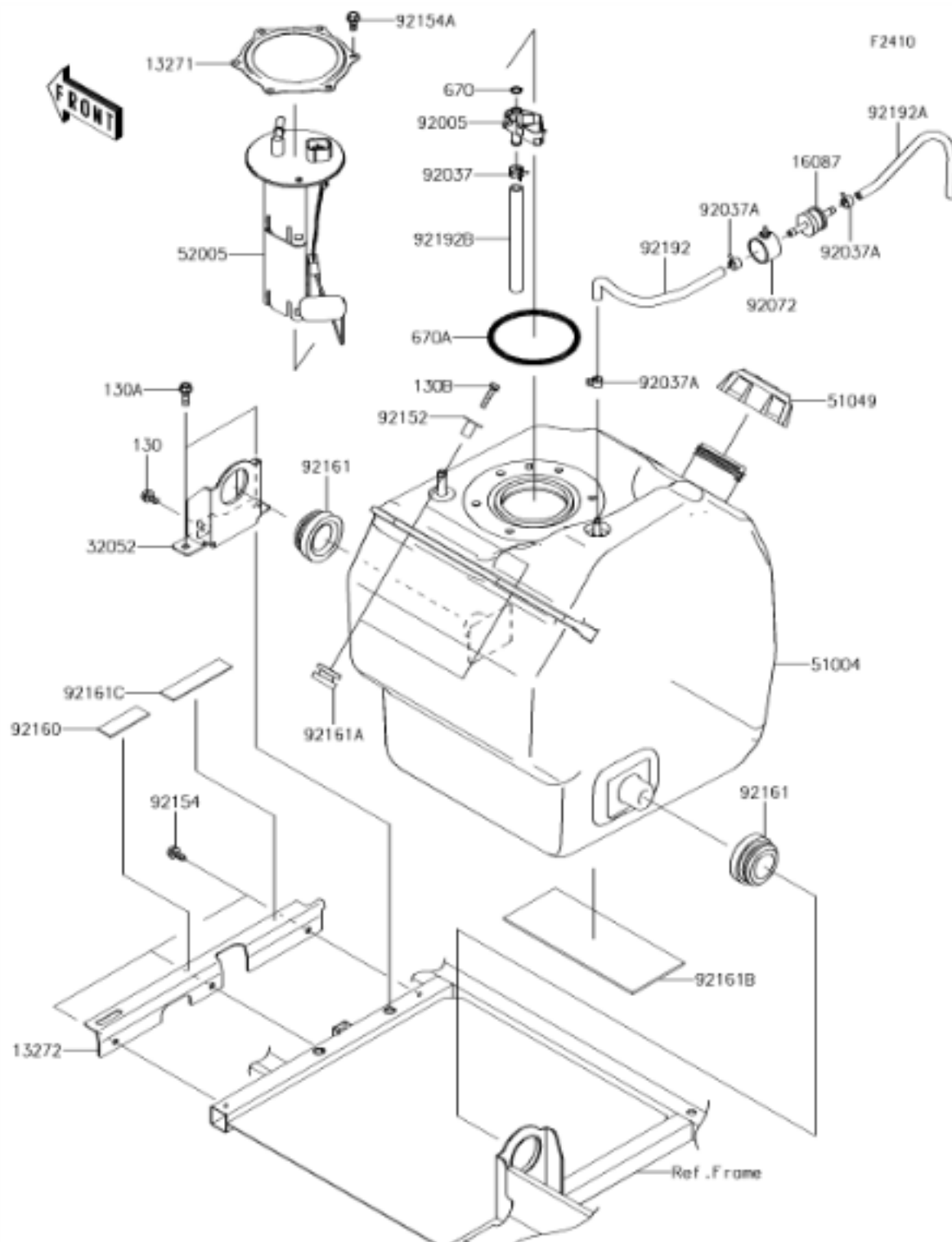


| Callout | Part Number | Description | Qty | Remarks | |
|---------|-------------|--------------------------|-----|---------|--|
| 13280 | 13280-0862 | HOLDER | 1 | | |
| 31064 | 31064-0681 | PIPE-COMP,RETURN | 1 | | |
| 31064A | 31064-0682 | PIPE-COMP,INJECTION,NO.1 | 1 | | |
| 31064B | 31064-0683 | PIPE-COMP,INJECTION,NO.2 | 1 | | |
| 31064C | 31064-0684 | PIPE-COMP,INJECTION,NO.3 | 1 | | |
| 39010 | 39010-0001 | BOLT-EYE,PIPE JOINT | 1 | | |
| 39010A | 39010-0002 | BOLT-EYE,PIPE JOINT | 1 | | |
| 43049 | 43049-0045 | PACKING | 3 | | |
| 49033 | 49033-0039 | NOZZLE-INJECTION | 3 | | |
| 49091 | 49091-0007 | WASHER-SEAL | 4 | | |
| 59071 | 59071-0738 | JOINT | 1 | | |
| 59071A | 59071-0739 | JOINT,OVER FLOW | 1 | | |
| 59072 | 59072-0004 | JOINT-EYE | 1 | | |
| 92062 | 92062-0038 | NOZZLE | 3 | | |
| 92154 | 92154-2115 | BOLT,4X14 | 2 | | |
| 92173 | 92173-1551 | CLAMP | 2 | | |
| 92180 | 92180-0971 | SHIM,SET | 3 | | |
| 92210 | 92210-1469 | NUT | 3 | | |



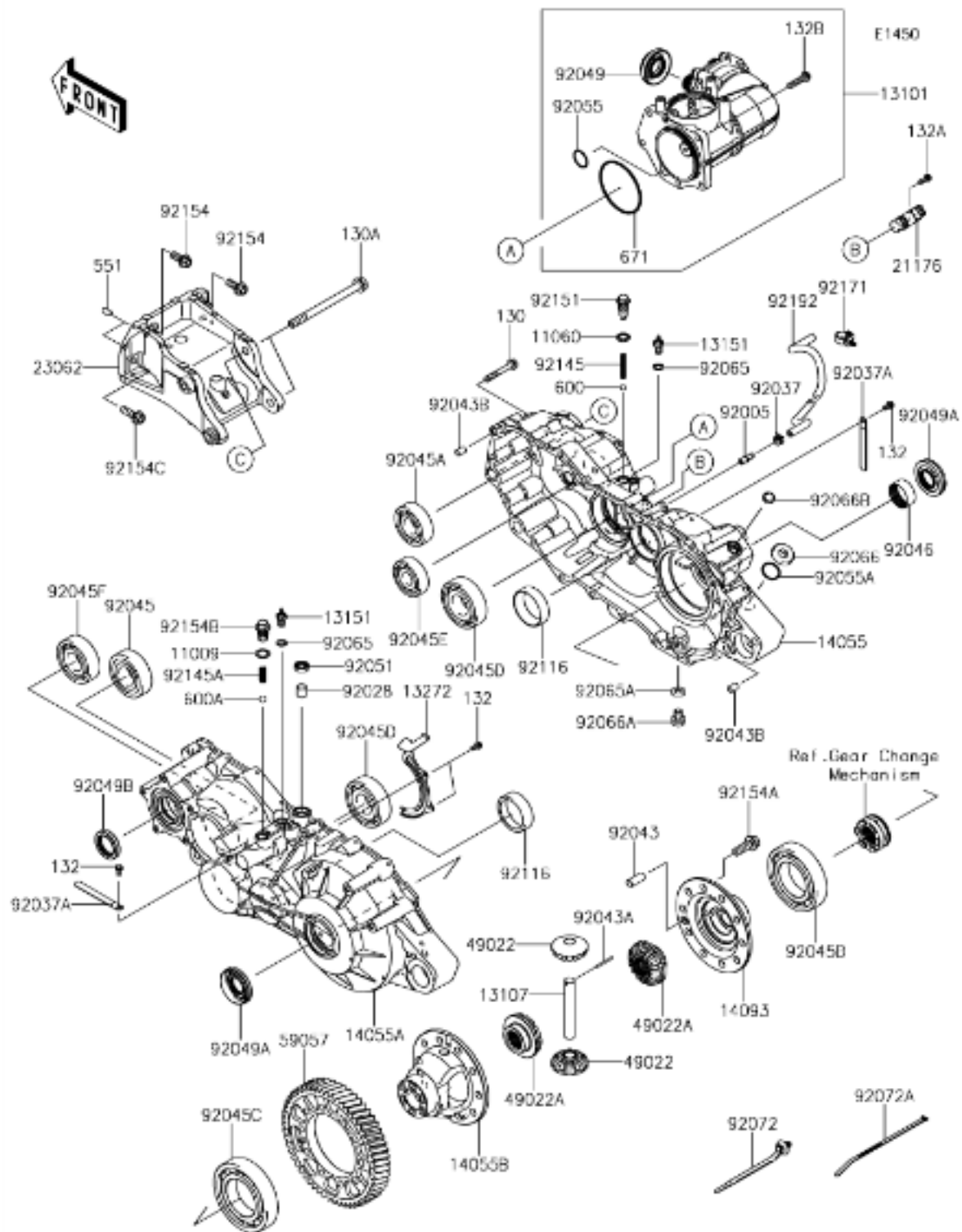
| Callout | Part Number | Description | Qty | Remarks | |
|---------|-------------|------------------------|-----|---------|--|
| 130 | 130BA0612 | BOLT-FLANGED,6X12 | 2 | | |
| 13329 | 13329-0001 | SUPPORT | 1 | | |
| 14093 | 14093-0448 | COVER,GOVERNOR CASE | 1 | | |
| 21188 | 21188-0012 | SOLENOID,POWER CONTROL | 1 | | |
| 21188A | 21188-0013 | SOLENOID,STOP | 1 | | |
| 32155 | 32155-2047 | PIPE,FEED | 1 | | |
| 32155A | 32155-2048 | PIPE,RETURN | 1 | | |
| 49040 | 49040-0751 | PUMP-FUEL,INJECTION | 1 | | |
| 51044 | 51044-0785 | TUBE-ASSY | 1 | | |
| 92037 | 92037-1181 | CLAMP,HOSE CLIP | 9 | | |
| 92038 | 92038-0008 | KEY,WOODRUFF | 1 | | |
| 92055 | 92055-0859 | RING-O | 1 | | |
| 92055A | 92055-0860 | RING-O | 1 | | |
| 92055B | 92055-0861 | RING-O | 1 | | |
| 92154 | 92154-1940 | BOLT,FLANGED,8X63 | 2 | | |
| 92154A | 92154-1997 | BOLT,FLANGED,6X14 | 2 | | |
| 92154B | 92154-2068 | BOLT,FLANGED,6X10 | 3 | | |
| 92154C | 92154-2071 | BOLT,FLANGED,8X16 | 2 | | |
| 92170 | 92170-1938 | CLAMP | 1 | | |

| Callout | Part Number | Description | Qty | Remarks | |
|---------|-------------|--------------------------------|-----|---------|--|
| 92171 | 92171-0515 | CLAMP | 5 | | |
| 92173 | 92173-1467 | CLAMP | 6 | | |
| 92192 | 92192-1476 | TUBE,7.5X13.5X390 | 2 | | |
| 92192A | 92192-1477 | TUBE,PUMP-FILTER | 1 | | |
| 92192B | 92192-1478 | TUBE,FILER-ENGINE(FILTER SIDE) | 1 | | |
| 92192C | 92192-1479 | TUBE,ENGINE-FILER(ENGINE SIDE) | 1 | | |
| 92192D | 92192-1480 | TUBE,ENGINE-FILER(FILTER SIDE) | 1 | | |
| 92192E | 92192-1481 | TUBE,FILTER-TANK | 1 | | |
| 92200 | 92200-1810 | WASHER,SPRING | 1 | | |
| 92210 | 92210-1486 | NUT,12MM | 1 | | |



| Callout | Part Number | Description | Qty | Remarks | |
|---------|-------------|--------------------|-----|---------|--|
| 130 | 130BA0612 | BOLT-FLANGED,6X12 | 1 | | |
| 130A | 130BA0620 | BOLT-FLANGED,6X20 | 2 | | |
| 130B | 130BA0630 | BOLT-FLANGED,6X30 | 2 | | |
| 670 | 670E1509 | O RING,9MM | 1 | | |
| 670A | 670E5090 | O RING | 1 | | |
| 13271 | 13271-0980 | PLATE | 1 | | |
| 13272 | 13272-2206 | PLATE | 1 | | |
| 16087 | 16087-0008 | VALVE-CHECK | 1 | | |
| 32052 | 32052-0751 | BRACKET-TANK | 1 | | |
| 51004 | 51004-0020 | TANK-FUEL | 1 | | |
| 51049 | 51049-0718 | CAP-TANK,FUEL | 1 | | |
| 52005 | 52005-0753 | GAUGE,FUEL | 1 | | |
| 92005 | 92005-0813 | FITTING | 1 | | |
| 92037 | 92037-1181 | CLAMP,HOSE CLIP | 1 | | |
| 92037A | 92037-1461 | CLAMP,TUBE | 3 | | |
| 92072 | 92072-1438 | BAND | 1 | | |
| 92152 | 92152-1867 | COLLAR,6.8X10X18.1 | 2 | | |
| 92154 | 92154-1250 | BOLT,6X15.6 | 3 | | |
| 92154A | 92154-1326 | BOLT,FUEL PUMP | 6 | | |

| Callout | Part Number | Description | Qty | Remarks | |
|---------|-------------|-----------------------|-----|---------|--|
| 92160 | 92160-1075 | DAMPER | 1 | | |
| 92161 | 92161-1613 | DAMPER,30X56X25 | 2 | | |
| 92161A | 92161-1614 | DAMPER,10X28X17 | 2 | | |
| 92161B | 92161-1645 | DAMPER,80X200X3.175 | 1 | | |
| 92161C | 92161-1876 | DAMPER | 1 | | |
| 92192 | 92192-0773 | TUBE,BREATHER | 1 | | |
| 92192A | 92192-1199 | TUBE,BREATHER,5X9X220 | 1 | | |
| 92192B | 92192-1474 | TUBE,FUEL,8X13X137 | 1 | | |

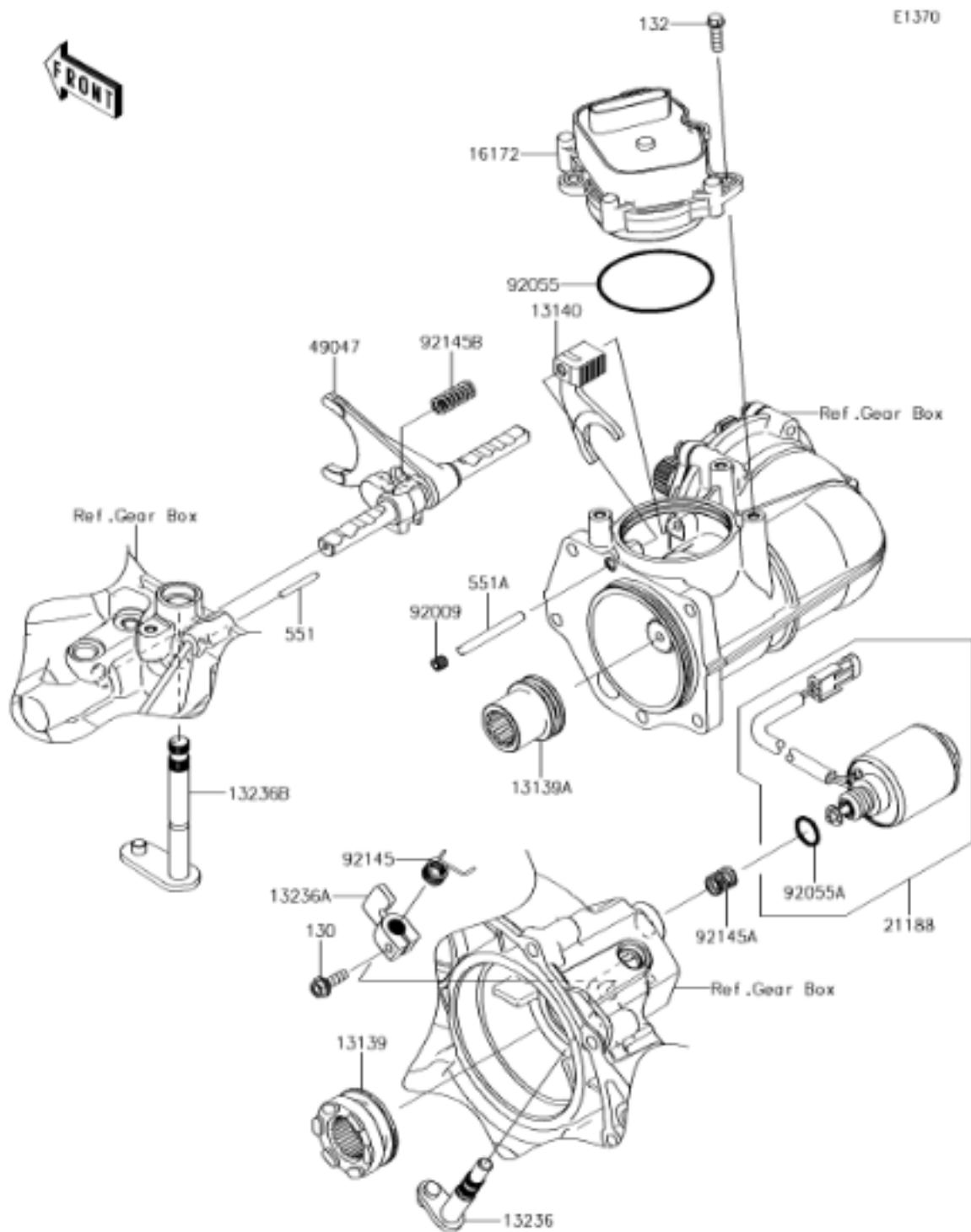


| Callout | Part Number | Description | Qty | Remarks | |
|---------|-------------|-------------------------|-----|---------|--|
| 130 | 130BA0855 | BOLT-FLANGED,8X55 | 18 | | |
| 130A | 130CA12150 | BOLT-FLANGED,12X150 | 2 | | |
| 132 | 132BA0612 | BOLT-FLANGED-SMALL,6X12 | 4 | | |
| 132A | 132BA0616 | BOLT-FLANGED-SMALL,6X16 | 1 | | |
| 132B | 132BA0835 | BOLT-FLANGED-SMALL,8X35 | 5 | | |
| 551 | 551A0814 | PIN-DOWEL,8X14 | 2 | | |
| 600 | 600A1000 | BALL-STEEL,5/16 | 1 | | |
| 600A | 600A1300 | BALL-STEEL,13/32 | 1 | | |
| 671 | 671D2585 | O RING | 1 | | |
| 11009 | 11009-1008 | GASKET,15.5X22X1 | 1 | | |
| 11060 | 11060-1287 | GASKET,14X20X2 | 1 | | |
| 13101 | 13101-0636 | GEAR-ASSY,PARTICULAR | 1 | | |
| 13107 | 13107-0793 | SHAFT | 1 | | |
| 13151 | 13151-1080 | SWITCH-COMP,NEUTRAL | 2 | | |
| 13272 | 13272-1624 | PLATE | 1 | | |
| 14055 | 14055-0607 | CASE-GEAR,RH | 1 | | |
| 14055A | 14055-0608 | CASE-GEAR,LH | 1 | | |
| 14055B | 14055-0614 | CASE-GEAR,DIFF | 1 | | |
| 14093 | 14093-0048 | COVER,DIFF | 1 | | |

| Callout | Part Number | Description | Qty | Remarks | |
|---------|-------------|--------------------------|-----|---------|--|
| 21176 | 21176-0767 | SENSOR,ROTATION | 1 | | |
| 23062 | 23062-0855 | BRACKET-COMP | 1 | | |
| 49022 | 49022-0585 | GEAR-BEVEL,PINION,12T | 2 | | |
| 49022A | 49022-0589 | GEAR-BEVEL,OUTPUT,16T | 2 | | |
| 59057 | 59057-0012 | GEAR-HELICAL,55T | 1 | | |
| 92005 | 92005-1127 | FITTING,BREATHER | 1 | | |
| 92028 | 92028-1347 | BUSHING | 1 | | |
| 92037 | 92037-1505 | CLAMP,TUBE | 1 | | |
| 92037A | 92037-1993 | CLAMP | 2 | | |
| 92043 | 92043-0789 | PIN,DOWEL,12X30 | 1 | | |
| 92043A | 92043-0806 | PIN,DOWEL | 1 | | |
| 92043B | 92043-1037 | PIN,DOWEL,10X14 | 2 | | |
| 92045 | 92045-0764 | BEARING-BALL,63/32 | 1 | | |
| 92045A | 92045-0765 | BEARING-BALL,63/28 | 1 | | |
| 92045B | 92045-0766 | BEARING-BALL,6212 | 1 | | |
| 92045C | 92045-0767 | BEARING-BALL,6213 | 1 | | |
| 92045D | 92045-0768 | BEARING-BALL,6307C3 | 2 | | |
| 92045E | 92045-0769 | BEARING-BALL,B22-19C3 UR | 1 | | |
| 92045F | 92045-1364 | BEARING-BALL,63/32C3 | 1 | | |

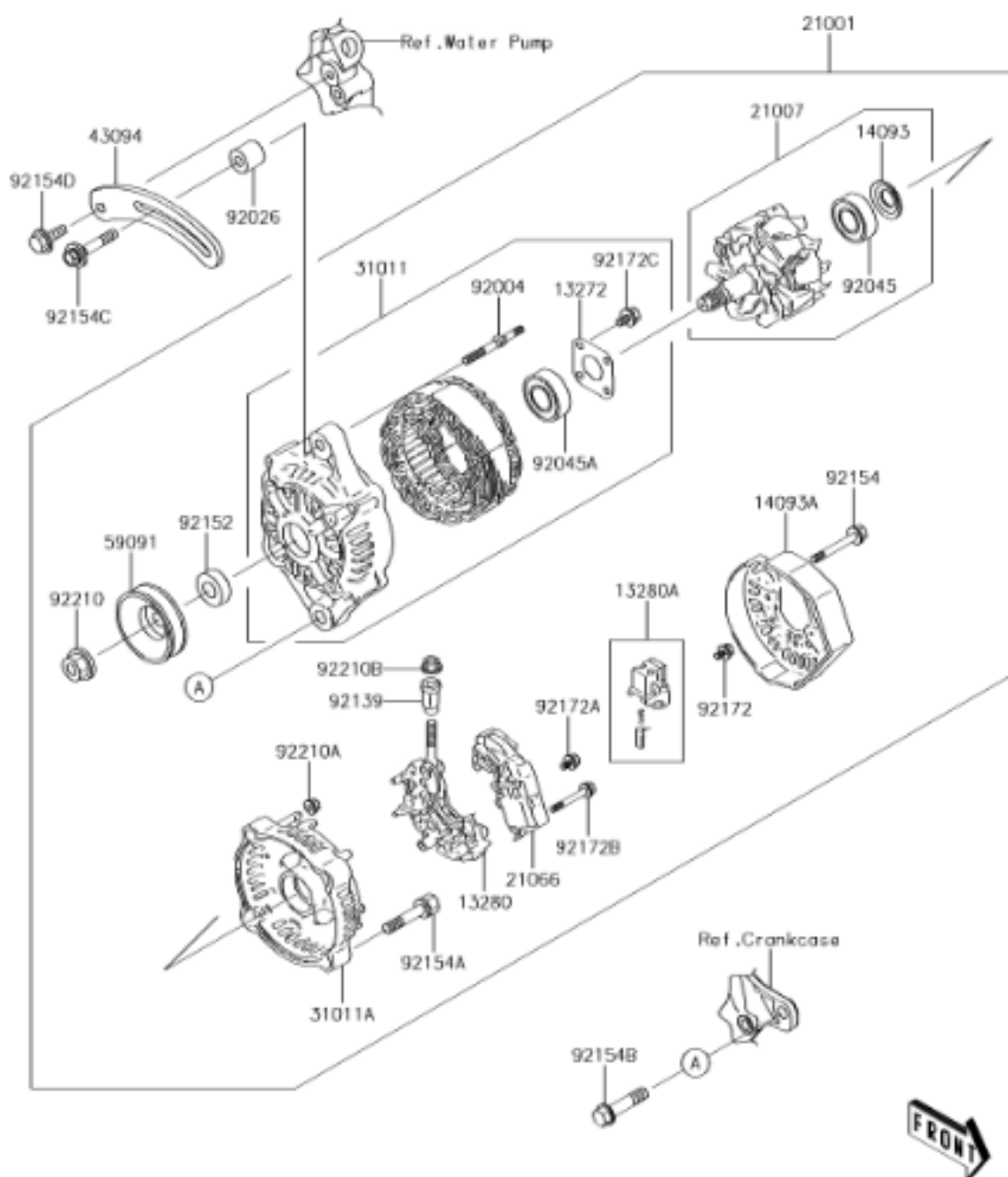
| Callout | Part Number | Description | Qty | Remarks | |
|---------|-------------|-----------------------------|-----|---------|--|
| 92046 | 92046-0612 | BEARING-NEEDLE,BTM35.6 | 1 | | |
| 92049 | 92049-0160 | SEAL-OIL | 1 | | |
| 92049A | 92049-0749 | SEAL-OIL | 2 | | |
| 92049B | 92049-1361 | SEAL-OIL,TC32488 | 1 | | |
| 92051 | 92051-005 | SEAL-OIL,TB13225.5 | 1 | | |
| 92055 | 92055-0782 | RING-O,1.9X26.2 | 1 | | |
| 92055A | 92055-1136 | RING-O,25.7X2.4 | 1 | | |
| 92065 | 92065-058 | GASKET,10.5X16X1 | 2 | | |
| 92065A | 92065-097 | GASKET,12X22X2 | 1 | | |
| 92066 | 92066-0012 | PLUG,25X8 | 1 | | |
| 92066A | 92066-1174 | PLUG,OIL DRAIN,12X15 | 1 | | |
| 92066B | 92066-7014 | PLUG | 1 | | |
| 92072 | 92072-1414 | BAND,OS170-FT7(BLACK) | AR | | |
| 92072A | 92072-3509 | BAND,L=292.1 | AR | | |
| 92116 | 92116-0008 | BEARING-ROLLER,HR32206JA LC | 2 | | |
| 92145 | 92145-1589 | SPRING | 1 | | |
| 92145A | 92145-1590 | SPRING | 1 | | |
| 92151 | 92151-1687 | BOLT,CHANGE POSITION | 1 | | |
| 92154 | 92154-1329 | BOLT,FLANGED,10X25 | 3 | | |

| Callout | Part Number | Description | Qty | Remarks | |
|---------|-------------|----------------------|-----|---------|--|
| 92154A | 92154-1332 | BOLT,FLANGED,12X35 | 10 | | |
| 92154B | 92154-1366 | BOLT,CHANGE POSITION | 1 | | |
| 92154C | 92154-1740 | BOLT,FLANGED,10X32 | 1 | | |
| 92171 | 92171-0453 | CLAMP | 1 | | |
| 92192 | 92192-1340 | TUBE,BREATHER | 1 | | |



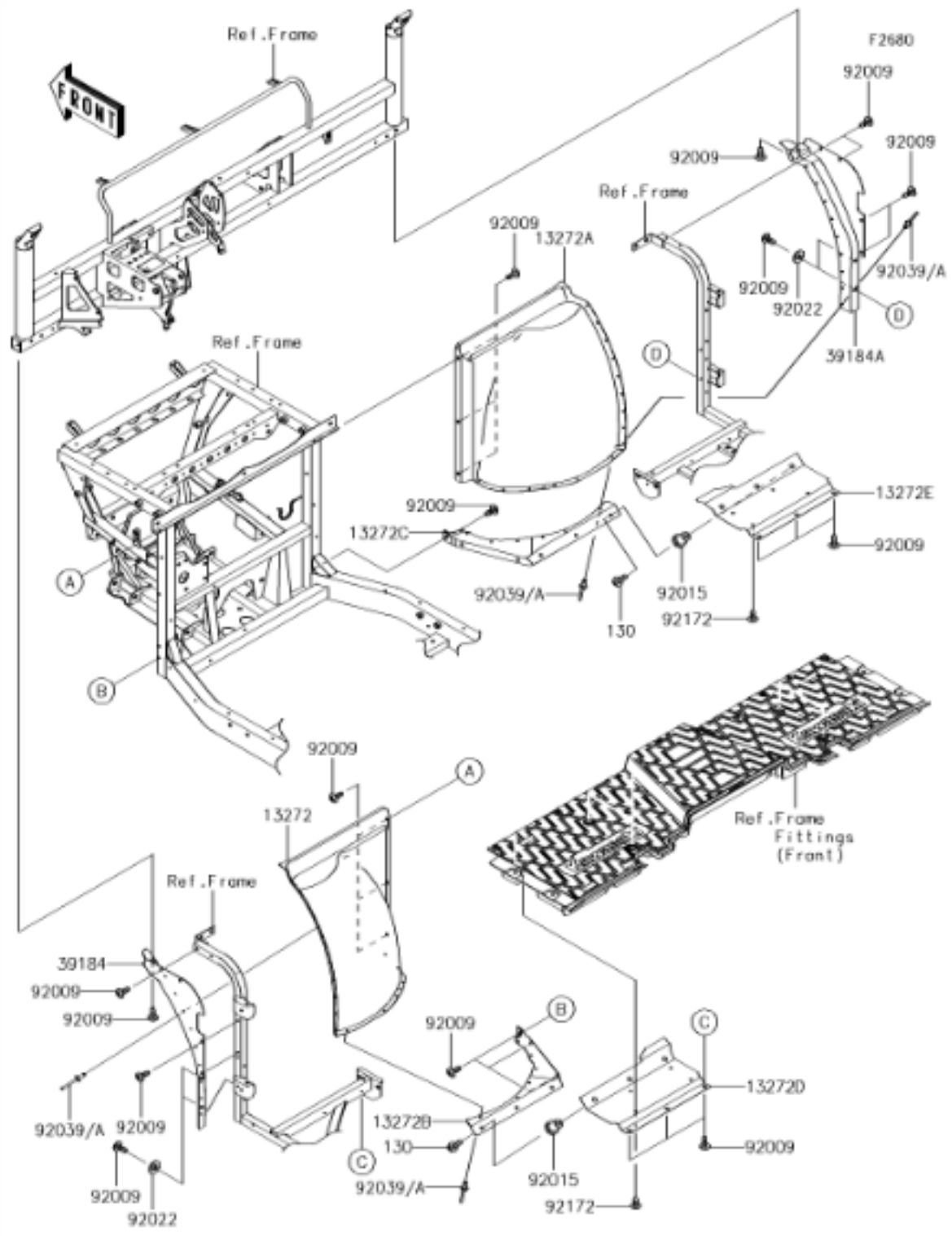
| Callout | Part Number | Description | Qty | Remarks | |
|---------|-------------|-------------------------|-----|---------|--|
| 130 | 130BA0620 | BOLT-FLANGED,6X20 | 1 | | |
| 132 | 132BA0620 | BOLT-FLANGED-SMALL,6X20 | 3 | | |
| 551 | 551A0432 | PIN-DOWEL | 1 | | |
| 551A | 551A0656 | PIN-DOWEL,6X56 | 1 | | |
| 13139 | 13139-0019 | SHIFTER | 1 | | |
| 13139A | 13139-0021 | SHIFTER | 1 | | |
| 13140 | 13140-0639 | FORK-SHIFT | 1 | | |
| 13236 | 13236-0744 | LEVER-COMP,DIFF LOCK | 1 | | |
| 13236A | 13236-0745 | LEVER-COMP,DIFF LOCK | 1 | | |
| 13236B | 13236-0746 | LEVER-COMP,CHANGE SHIFT | 1 | | |
| 16172 | 16172-0030 | ACTUATOR | 1 | | |
| 21188 | 21188-0010 | SOLENOID | 1 | | |
| 49047 | 49047-0044 | ROD-SHIFT | 1 | | |
| 92009 | 92009-1977 | SCREW,SOCKET,8X8 | 1 | | |
| 92055 | 92055-0781 | RING-O,1.9X71.8 | 1 | | |
| 92055A | 92055-0829 | RING-O | 1 | | |
| 92145 | 92145-1572 | SPRING | 1 | | |
| 92145A | 92145-1573 | SPRING | 1 | | |
| 92145B | 92145-1574 | SPRING | 1 | | |

E1810

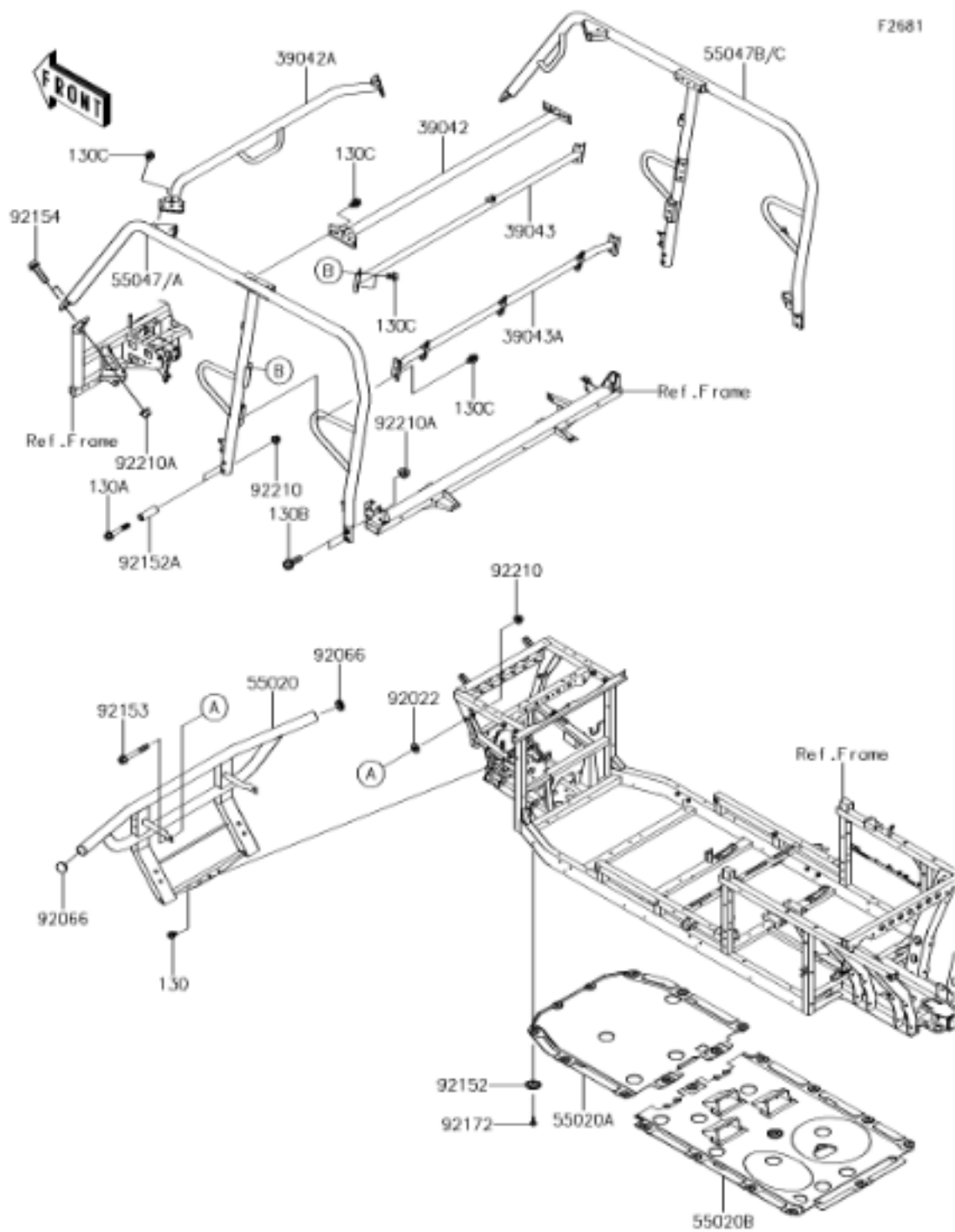


| Callout | Part Number | Description | Qty | Remarks | |
|---------|-------------|-------------------|-----|---------|--|
| 13272 | 13272-2135 | PLATE,RETAINER | 1 | | |
| 13280 | 13280-0864 | HOLDER | 1 | | |
| 13280A | 13280-0865 | HOLDER,BRUSH | 1 | | |
| 14093 | 14093-0450 | COVER | 1 | | |
| 14093A | 14093-0451 | COVER | 1 | | |
| 21001 | 21001-0613 | GENERATOR | 1 | | |
| 21007 | 21007-0637 | ROTOR | 1 | | |
| 21066 | 21066-0749 | REGULATOR-VOLTAGE | 1 | | |
| 31011 | 31011-0027 | FRAME | 1 | | |
| 31011A | 31011-0028 | FRAME | 1 | | |
| 43094 | 43094-0007 | ADJUSTER | 1 | | |
| 59091 | 59091-0015 | PULLEY | 1 | | |
| 92004 | 92004-0751 | STUD | 2 | | |
| 92026 | 92026-0821 | SPACER | 1 | | |
| 92045 | 92045-0812 | BEARING-BALL | 1 | | |
| 92045A | 92045-0816 | BEARING-BALL | 1 | | |
| 92139 | 92139-0861 | BUSHING | 1 | | |
| 92152 | 92152-2198 | COLLAR | 1 | | |
| 92154 | 92154-2074 | BOLT | 3 | | |

| Callout | Part Number | Description | Qty | Remarks | |
|---------|-------------|--------------------|-----|---------|--|
| 92154A | 92154-2075 | BOLT | 2 | | |
| 92154B | 92154-2076 | BOLT,FLANGED,10X45 | 1 | | |
| 92154C | 92154-2077 | BOLT | 1 | | |
| 92154D | 92154-2078 | BOLT,FLANGED,8X20 | 1 | | |
| 92172 | 92172-0989 | SCREW | 6 | | |
| 92172A | 92172-0990 | SCREW | 1 | | |
| 92172B | 92172-0991 | SCREW | 2 | | |
| 92172C | 92172-1096 | SCREW | 4 | | |
| 92210 | 92210-1474 | NUT | 1 | | |
| 92210A | 92210-1475 | NUT | 2 | | |
| 92210B | 92210-1476 | NUT | 1 | | |



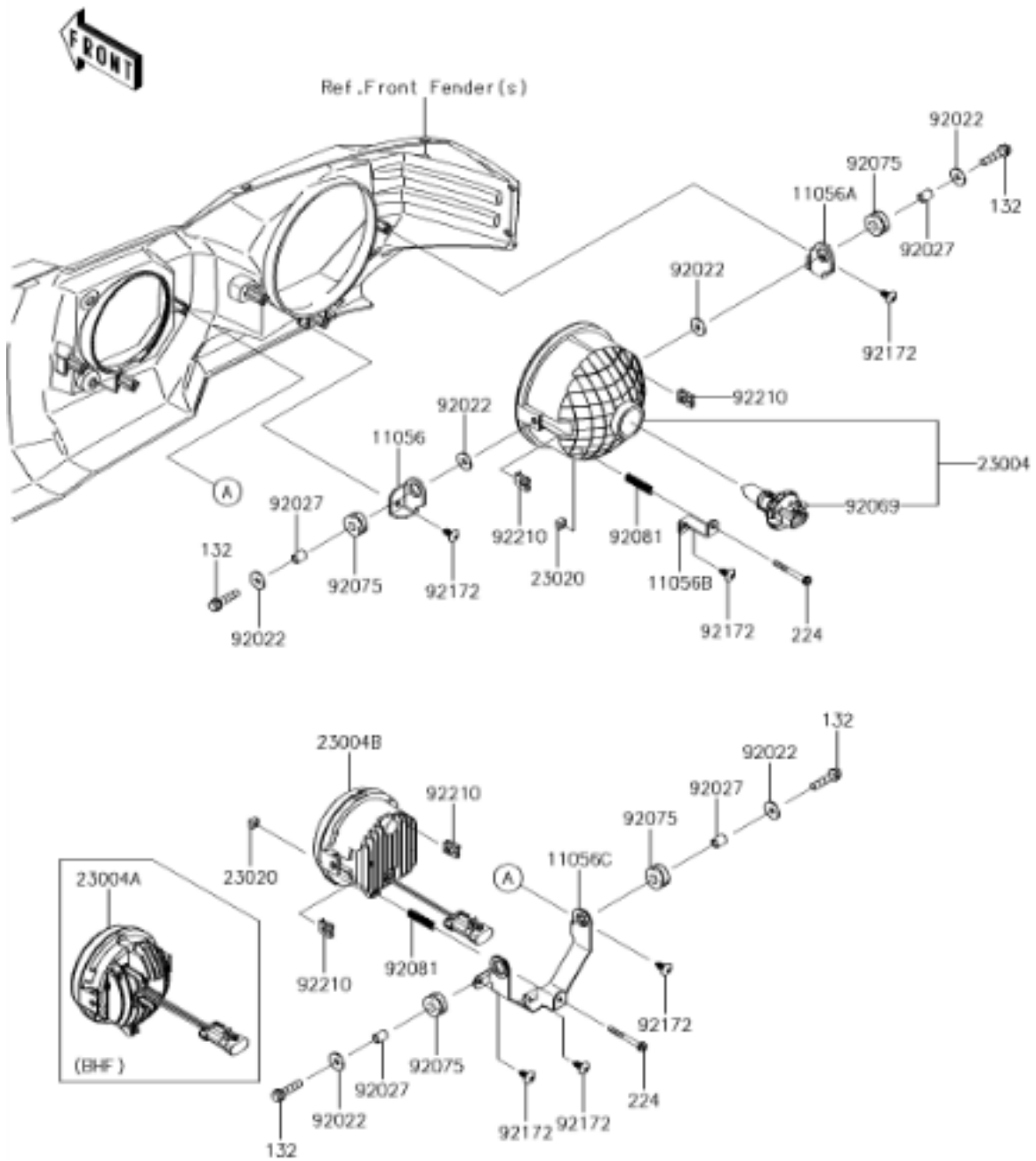
| Callout | Part Number | Description | Qty | Remarks | |
|---------|-------------|----------------------|-----|---------|--|
| 130 | 130BA0620 | BOLT-FLANGED,6X20 | 6 | | |
| 13272 | 13272-2323 | PLATE | 1 | | |
| 13272A | 13272-2324 | PLATE | 1 | | |
| 13272B | 13272-2327 | PLATE | 1 | | |
| 13272C | 13272-2328 | PLATE | 1 | | |
| 13272D | 13272-2330 | PLATE,UNDER GUARD,LH | 1 | | |
| 13272E | 13272-2331 | PLATE,UNDER GUARD,RH | 1 | | |
| 39184 | 39184-0718 | BRACKET-ASSY,SIDE,LH | 1 | | |
| 39184A | 39184-0719 | BRACKET-ASSY,SIDE,RH | 1 | | |
| 92009 | 92009-1166 | SCREW,TAPPING,6X16 | 32 | | |
| 92015 | 92015-1692 | NUT,RUBBER,6MM | 6 | | |
| 92022 | 92022-1533 | WASHER,8.2X19X2 | 4 | | |
| 92039 | 92039-0784 | RIVET,4.8X7.6 | 30 | | |
| 92172 | 92172-0284 | SCREW,6X16 | 8 | | |



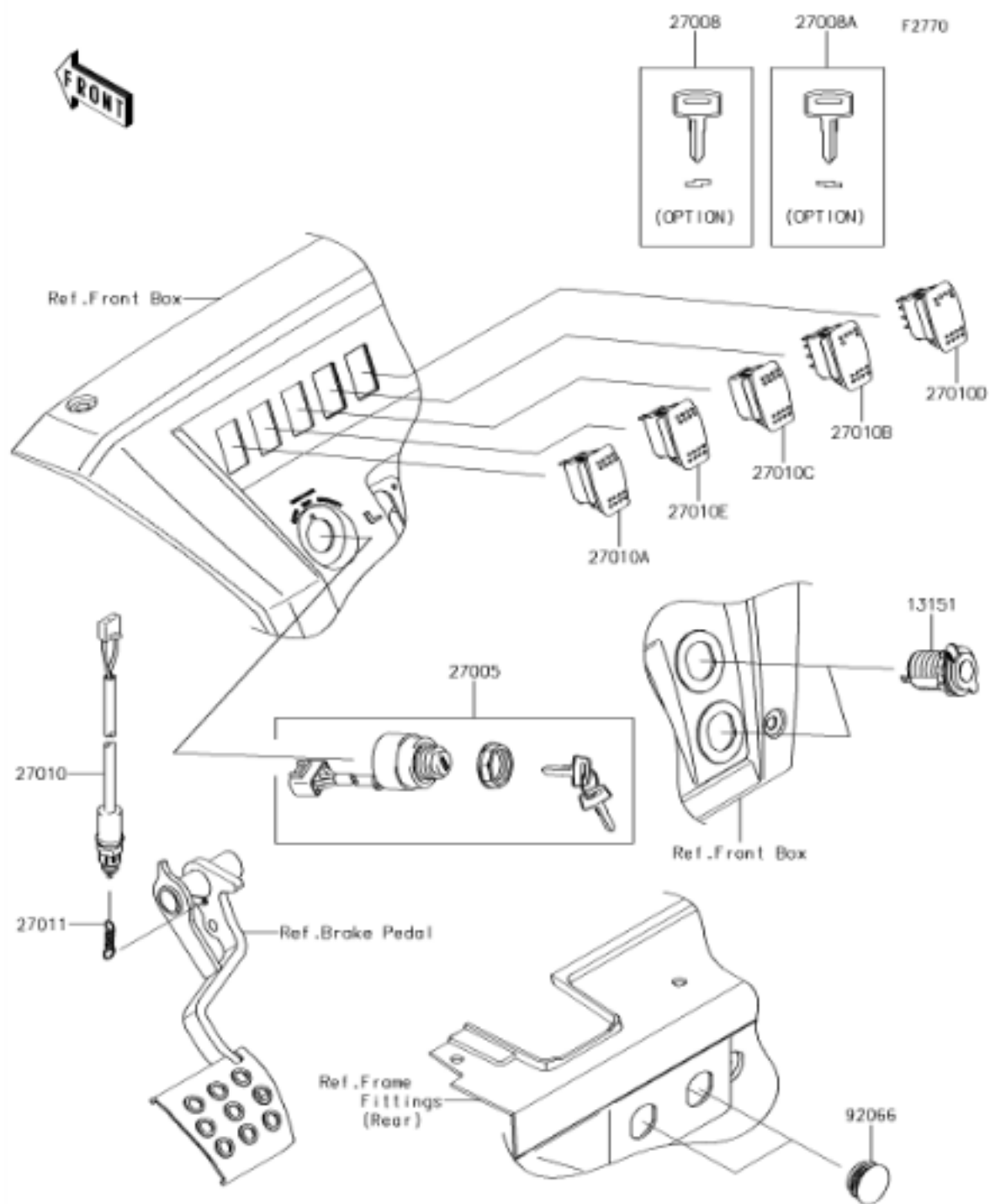
| Callout | Part Number | Description | Qty | Remarks | |
|---------|----------------|-------------------------------|-----|---------|--|
| 130 | 130BA0816 | BOLT-FLANGED,8X16 | 3 | | |
| 130A | 130BA1060 | BOLT-FLANGED,10X60 | 4 | | |
| 130B | 130BA1235 | BOLT-FLANGED,12X35 | 4 | | |
| 130C | 130CA1014 | BOLT-FLANGED,10X14 | 20 | | |
| 39042 | 39042-0015-388 | CROSSMEMBER,RR,T.BLACK | 1 | | |
| 39042A | 39042-0016-388 | CROSSMEMBER,FR,T.BLACK | 1 | | |
| 39043 | 39043-0016-388 | CROSSMEMBER-COMP,B-P.,UPP,BLK | 1 | | |
| 39043A | 39043-0017-388 | CROSSMEMBER-COMP,B-P.,LWR,BLK | 1 | | |
| 55020 | 55020-0933-388 | GUARD,FR PIPE,T.BLACK | 1 | | |
| 55020A | 55020-0934 | GUARD,SKID PLATE | 1 | | |
| 55020B | 55020-0935 | GUARD,SKID PLATE | 1 | | |
| 55047 | 55047-0361-388 | BAR-COMP,LH,T.BLACK | 1 | | |
| 55047B | 55047-0362-388 | BAR-COMP,RH,T.BLACK | 1 | | |
| 92022 | 92022-1365 | WASHER,10X22X3 | 2 | | |
| 92066 | 92066-0769 | PLUG | 2 | | |
| 92152 | 92152-0784 | COLLAR | 21 | | |
| 92152A | 92152-1800 | COLLAR,10.5X16X47 | 4 | | |
| 92153 | 92153-1384 | BOLT,FLANGED,10X75 | 2 | | |
| 92154 | 92154-1420 | BOLT,FLANGED,12X45 | 4 | | |

| Callout | Part Number | Description | Qty | Remarks | |
|----------------|--------------------|-----------------------|------------|----------------|--|
| 92172 | 92172-0739 | SCREW,TAPPING,6X16 | 21 | | |
| 92210 | 92210-0276 | NUT,LOCK,FLANGED,10MM | 6 | | |
| 92210A | 92210-0603 | NUT,12MM | 8 | | |

F2710

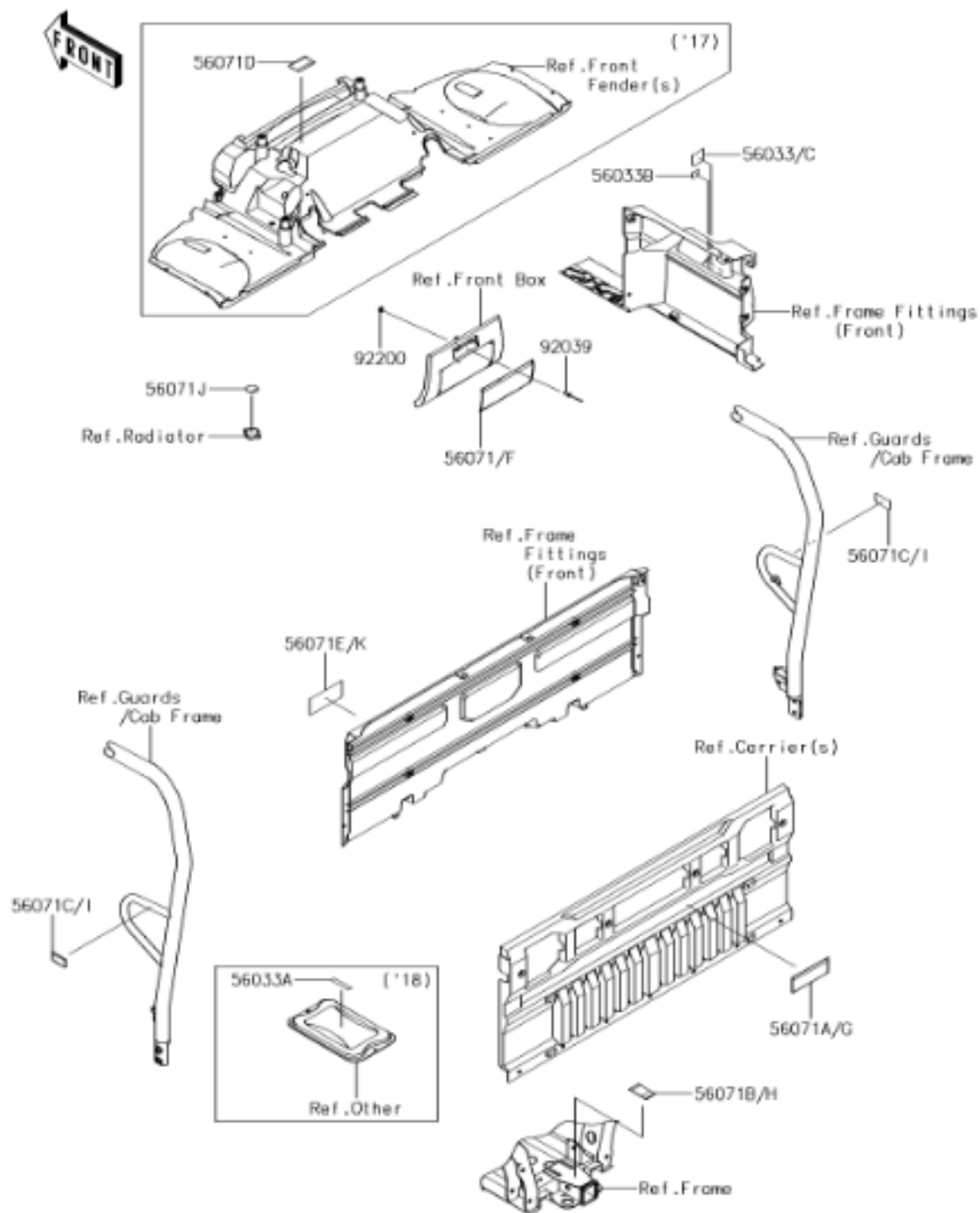


| Callout | Part Number | Description | Qty | Remarks | |
|---------|-------------|-------------------------|-----|---------|--|
| 132 | 132BA0625 | BOLT-FLANGED-SMALL,6X25 | 8 | | |
| 224 | 224AA0440 | SCREW-PAN-WP-CROS | 4 | | |
| 11056 | 11056-2931 | BRACKET,LH | 2 | | |
| 11056A | 11056-2932 | BRACKET,RH | 2 | | |
| 11056B | 11056-2933 | BRACKET | 2 | | |
| 11056C | 11056-3857 | BRACKET,LAMP STAY | 2 | | |
| 23004 | 23004-0339 | LAMP-HEAD | 2 | | |
| 23004B | 23004-0372 | LAMP-HEAD | 2 | | |
| 23020 | 23020-018 | NUT,4MM,FOCUS ADJUST | 4 | | |
| 92022 | 92022-125 | WASHER,6.5X20X1.6 | 12 | | |
| 92027 | 92027-162 | COLLAR,6.8X10X12 | 8 | | |
| 92069 | 92069-0082 | BULB,H13-12-8V | 2 | | |
| 92075 | 92075-1690 | DAMPER,10X24X12 | 8 | | |
| 92081 | 92081-1896 | SPRING,FOCUS ADJUST | 4 | | |
| 92172 | 92172-0284 | SCREW,6X16 | 12 | | |
| 92210 | 92210-1125 | NUT | 8 | | |



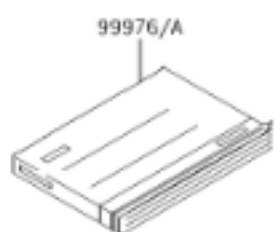
| Callout | Part Number | Description | Qty | Remarks | |
|---------|-------------|--------------------------|-----|----------|--|
| 13151 | 13151-0556 | SWITCH-COMP,OUTLET,12V | 2 | | |
| 27005 | 27005-0585 | SWITCH-ASSY-IGNITION | 1 | | |
| 27008 | 27008-1153 | KEY-LOCK,BLANK | 1 | (OPTION) | |
| 27008A | 27008-1157 | KEY-LOCK,BLANK | 1 | (OPTION) | |
| 27010 | 27010-0724 | SWITCH,BRAKE | 1 | | |
| 27010A | 27010-0734 | SWITCH,HORN | 1 | | |
| 27010B | 27010-0750 | SWITCH,HEAD LAMP | 1 | | |
| 27010C | 27010-0751 | SWITCH,2WD/4WD | 1 | | |
| 27010D | 27010-0763 | SWITCH,LED | 1 | | |
| 27010E | 27010-0810 | SWITCH,DIFF LOCK | 1 | | |
| 27011 | 27011-006 | SPRING,BRAKE LAMP SWITCH | 1 | | |
| 92066 | 92066-0794 | PLUG,D.C. SOCKET | 2 | | |

F2860



| Callout | Part Number | Description | Qty | Remarks | |
|---------|-------------|-------------------------------|-----|---------|--|
| 56033A | 56033-0970 | LABEL-MANUAL,STORAGE MAX LOAD | 1 | | |
| 56033B | 56033-0987 | LABEL-MANUAL,FUEL,B7 | 1 | | |
| 56033 | 56033-1377 | LABEL-MANUAL,DIESEL | 1 | | |
| 56071 | 56071-0748 | LABEL-WARNING,GENERAL | 1 | | |
| 56071A | 56071-0749 | LABEL-WARNING,CARGO CAPA. | 1 | | |
| 56071B | 56071-0750 | LABEL-WARNING,TRAILER HITCH | 1 | | |
| 56071C | 56071-0751 | LABEL-WARNING,HAND CRUSH | 2 | | |
| 56071J | 56071-0753 | LABEL-WARNING,RADIATOR | 1 | | |
| 56071E | 56071-0757 | LABEL-WARNING,TIRE&LOAD | 1 | | |
| 92039 | 92039-3763 | RIVET,3.2X8 | 6 | | |
| 92200 | 92200-1251 | WASHER,3.5X8X1 | 6 | | |

Owner's Manual
(Local Procurement)



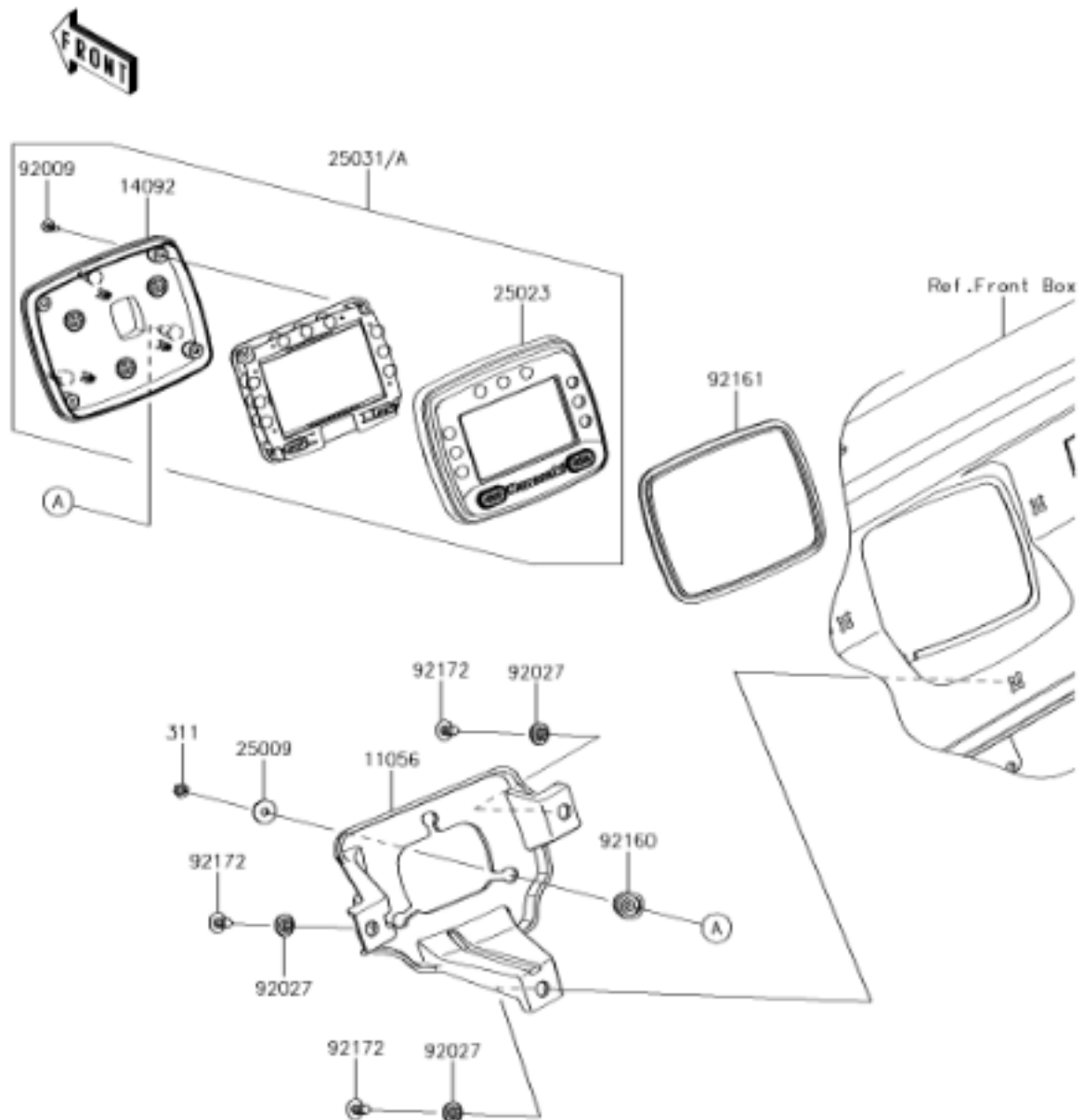
| Ref.No | Language |
|---------|----------|
| 99976/A | English |
| | French |
| | German |

| Callout | Part Number | Description | Qty | Remarks | |
|---------|-------------|----------------------|-----|---------|--|
| 99976 | 99976-0060 | OWNER'S MANUAL,MULTI | 1 | | |

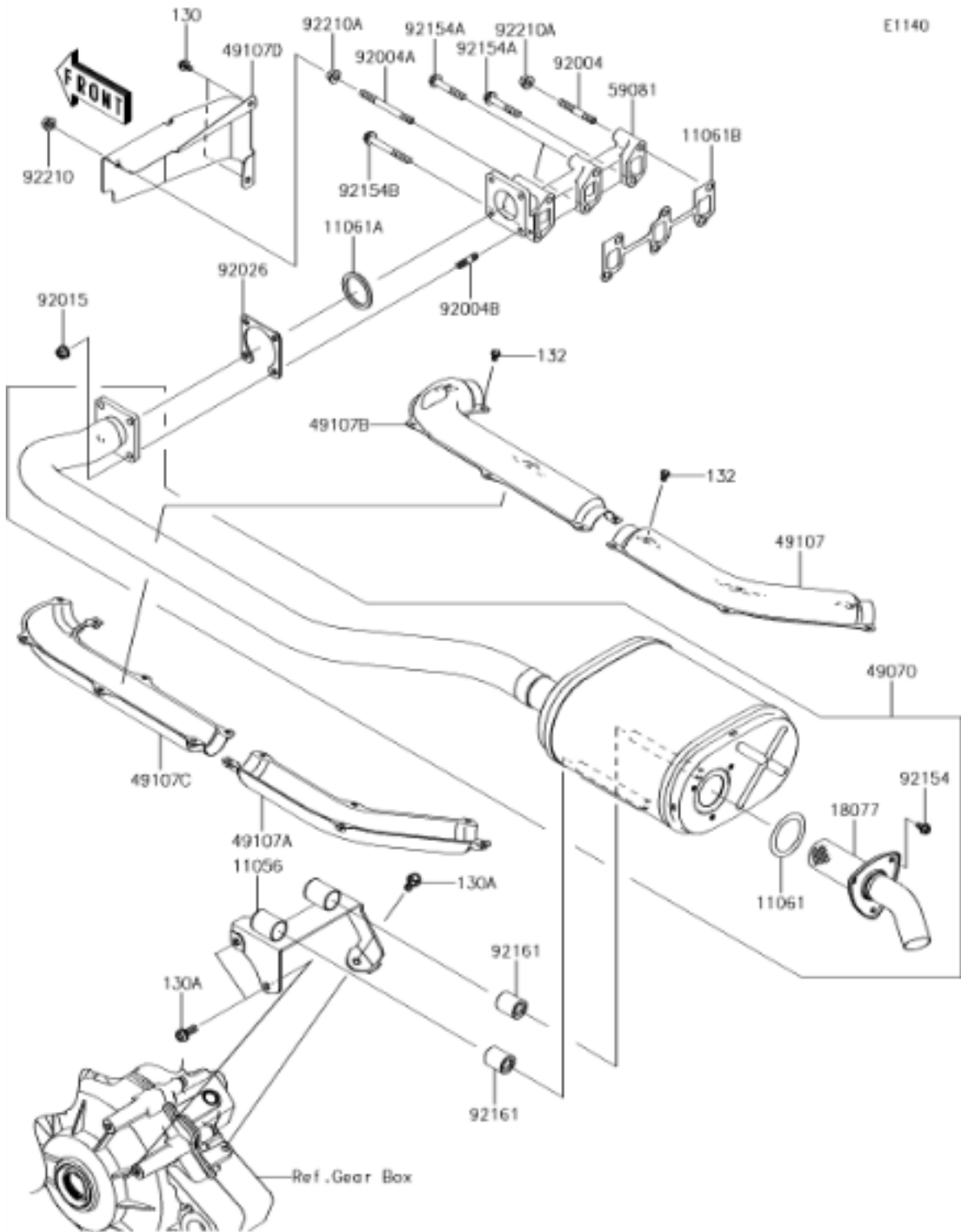
| Callout | Part Number | Description | Qty | Remarks | |
|---------|-------------|---------------------------|-----|---------|--|
| 130 | 130BA0612 | BOLT-FLANGED,6X12 | 6 | | |
| 130A | 130BA0830 | BOLT-FLANGED,8X30 | 1 | | |
| 130B | 130BA0855 | BOLT-FLANGED,8X55 | 2 | | |
| 14075 | 14075-0038 | CAP-ASSY | 1 | | |
| 14093 | 14093-0044 | COVER,M/C BODY | 1 | | |
| 39092 | 39092-1052 | PIN-HAIR | 2 | | |
| 39184 | 39184-0031 | BRACKET-ASSY | 1 | | |
| 43015 | 43015-0595 | CYLINDER-ASSY-MASTER | 1 | | |
| 43060 | 43060-0317 | PIPE-BRAKE | 1 | | |
| 43060A | 43060-0318 | PIPE-BRAKE,LH | 1 | | |
| 43060B | 43060-0319 | PIPE-BRAKE,RH | 1 | | |
| 43061 | 43061-0302 | JOINT-BRAKE,M/C | 1 | | |
| 43061A | 43061-1063 | JOINT-BRAKE | 1 | | |
| 43095 | 43095-0807 | HOSE-BRAKE,661MM | 1 | | |
| 43095A | 43095-0808 | HOSE-BRAKE,1011MM | 1 | | |
| 43095B | 43095-0809 | HOSE-BRAKE,847MM | 1 | | |
| 43095C | 43095-0810 | HOSE-BRAKE,767MM | 1 | | |
| 49091 | 49091-0001 | WASHER-SEAL,10.1X14.5X1.5 | 12 | | |
| 92072 | 92072-1414 | BAND,OS170-FT7(BLACK) | 11 | | |

| Callout | Part Number | Description | Qty | Remarks | |
|---------|-------------|------------------------|-----|---------|--|
| 92154 | 92154-1328 | BOLT,HEXALOBULAR,10X21 | 4 | | |
| 92154A | 92154-1398 | BOLT,OIL,10X34.5 | 1 | | |
| 92173 | 92173-1215 | CLAMP | 2 | | |
| 92173A | 92173-1216 | CLAMP | 2 | | |
| 92173B | 92173-1217 | CLAMP | 1 | | |
| 92173C | 92173-1218 | CLAMP | 1 | | |

F2530



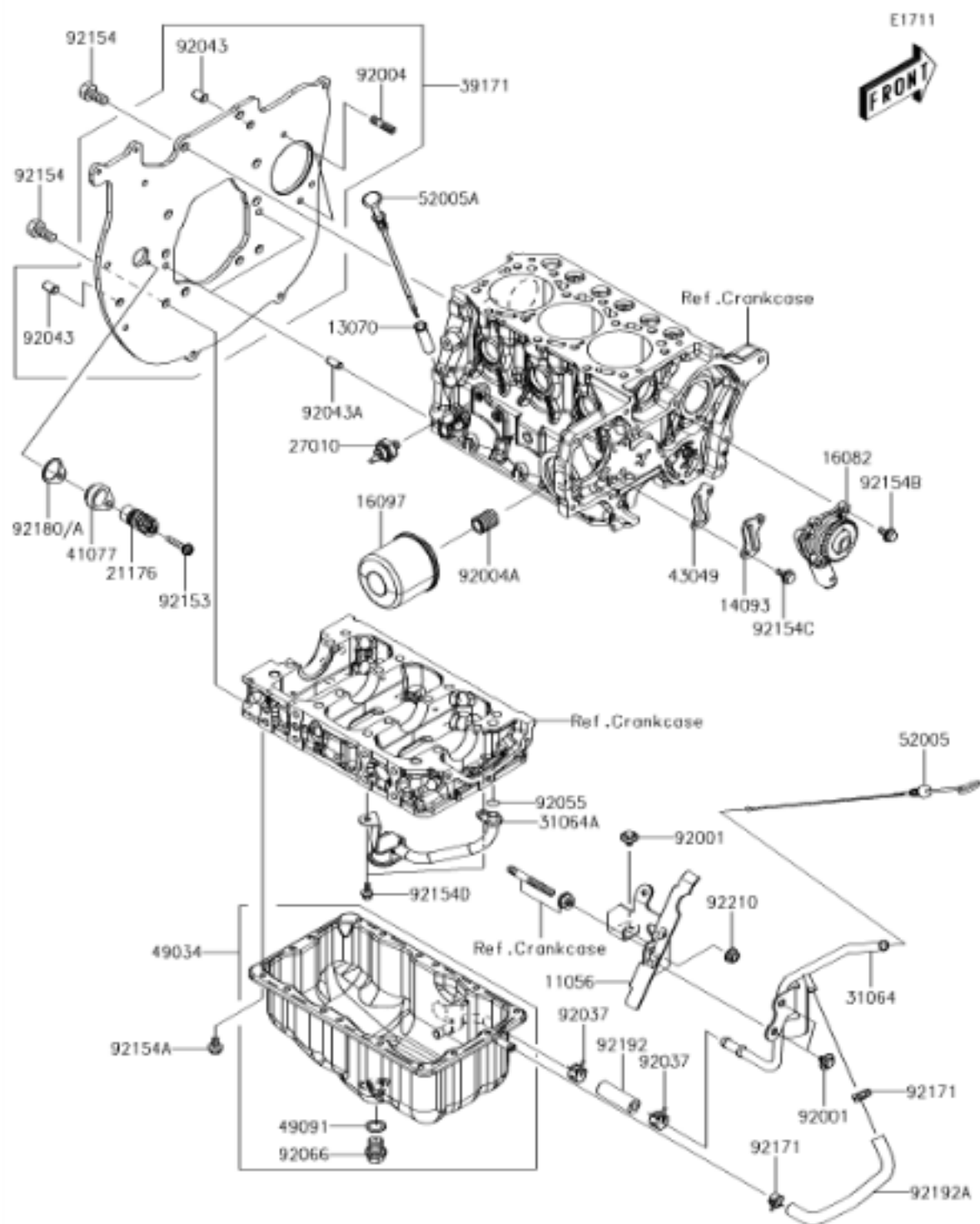
| Callout | Part Number | Description | Qty | Remarks | |
|---------|-------------|----------------------|-----|---------|--|
| 311 | 311AB0500 | NUT-HEX,5MM | 3 | | |
| 11056 | 11056-2956 | BRACKET,METER | 1 | | |
| 14092 | 14092-0834 | COVER,METER,LWR | 1 | | |
| 25009 | 25009-004 | WASHER,5.2X16X1.2 | 3 | | |
| 25023 | 25023-0075 | COVER-METER CASE,UPP | 1 | | |
| 25031 | 25031-0723 | METER-ASSY,LCD | 1 | | |
| 92009 | 92009-1255 | SCREW,TAPPING,3X12 | 4 | | |
| 92027 | 92027-1168 | COLLAR,L=4.6 | 3 | | |
| 92160 | 92160-1460 | DAMPER | 3 | | |
| 92161 | 92161-0906 | DAMPER,METER | 1 | | |
| 92172 | 92172-0284 | SCREW,6X16 | 3 | | |



E1140

| Callout | Part Number | Description | Qty | Remarks | |
|---------|-------------|---------------------------|-----|---------|--|
| 130 | 130BA0610 | BOLT-FLANGED,6X10 | 2 | | |
| 130A | 130BA0820 | BOLT-FLANGED,8X20 | 3 | | |
| 132 | 132BD0608 | BOLT-FLANGED-SMALL,6X8 | 13 | | |
| 11056 | 11056-7806 | BRACKET,MUFFLER MOUNT | 1 | | |
| 11061 | 11061-0013 | GASKET,EXHAUST PIPE | 1 | | |
| 11061A | 11061-0989 | GASKET,EXHAUST HOLDER | 1 | | |
| 11061B | 11061-1194 | GASKET,EXHAUST MANIFOLD | 1 | | |
| 18077 | 18077-0040 | ARRESTER-SPARK | 1 | | |
| 49070 | 49070-0804 | MUFFLER-COMP | 1 | | |
| 49107 | 49107-0771 | COVER-EXHAUST PIPE,RR,UPP | 1 | | |
| 49107A | 49107-0772 | COVER-EXHAUST PIPE,RR,LWR | 1 | | |
| 49107B | 49107-0773 | COVER-EXHAUST PIPE,FR,UPP | 1 | | |
| 49107C | 49107-0774 | COVER-EXHAUST PIPE,FR,LWR | 1 | | |
| 49107D | 49107-0786 | COVER-EXHAUST PIPE | 1 | | |
| 59081 | 59081-0295 | MANIFOLD-EXHAUST | 1 | | |
| 92004 | 92004-0746 | STUD,8X50 | 1 | | |
| 92004A | 92004-0747 | STUD,8X80 | 1 | | |
| 92004B | 92004-0748 | STUD,8X22 | 4 | | |
| 92015 | 92015-1402 | NUT,8MM | 4 | | |

| Callout | Part Number | Description | Qty | Remarks | |
|---------|-------------|-------------------|-----|---------|--|
| 92026 | 92026-0817 | SPACER | 1 | | |
| 92154 | 92154-0852 | BOLT,FLANGED,6X12 | 3 | | |
| 92154A | 92154-1990 | BOLT,FLANGED,8X50 | 3 | | |
| 92154B | 92154-1991 | BOLT,FLANGED,8X71 | 1 | | |
| 92161 | 92161-0961 | DAMPER | 2 | | |
| 92210 | 92210-1456 | NUT,8MM | 1 | | |
| 92210A | 92210-1473 | NUT,8MM | 2 | | |



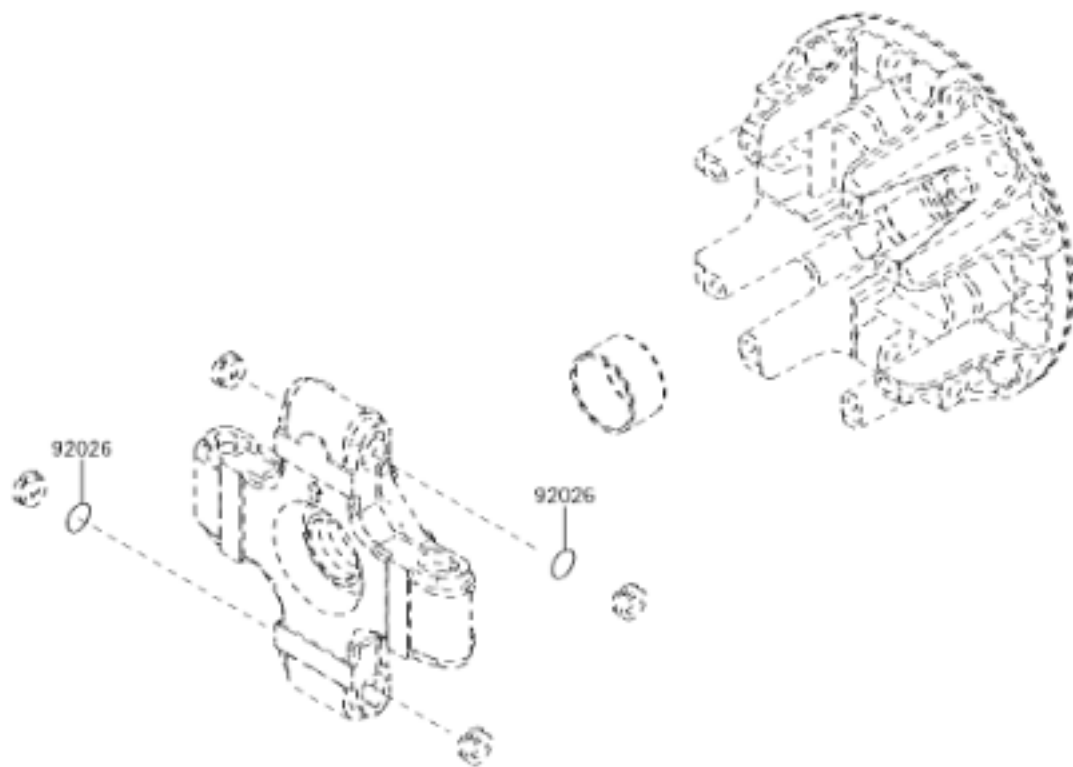
| Callout | Part Number | Description | Qty | Remarks | |
|---------|-------------|--------------------------|-----|---------|--|
| 11056 | 11056-7693 | BRACKET,LEVEL GAUGE PIPE | 1 | | |
| 13070 | 13070-0830 | GUIDE,OIL LEVEL GAUGE | 1 | | |
| 14093 | 14093-0445 | COVER | 1 | | |
| 16082 | 16082-0763 | PUMP-ASSY-OIL | 1 | | |
| 16097 | 16097-0012 | FILTER-ASSY-OIL | 1 | | |
| 21176 | 21176-0767 | SENSOR,ROTATION | 1 | | |
| 27010 | 27010-0838 | SWITCH,OIL PRESSURE | 1 | | |
| 31064 | 31064-0677 | PIPE-COMP,LEVEL GAUGE | 1 | | |
| 31064A | 31064-0679 | PIPE-COMP,OIL | 1 | | |
| 39171 | 39171-0003 | FLANGE-COMP | 1 | | |
| 41077 | 41077-0722 | ADAPTER,ROTATION SENSOR | 1 | | |
| 43049 | 43049-0039 | PACKING | 1 | | |
| 49034 | 49034-0566 | PAN-OIL | 1 | | |
| 49091 | 49091-0006 | WASHER-SEAL | 1 | | |
| 52005 | 52005-0754 | GAUGE,OIL LEVEL | 1 | | |
| 52005A | 52005-0759 | GAUGE,OIL LEVEL | 1 | | |
| 92001 | 92001-1034 | BOLT,FLANGED,6X10 | 3 | | |
| 92004 | 92004-0745 | STUD,8X25 | 2 | | |
| 92004A | 92004-0749 | STUD | 1 | | |

| Callout | Part Number | Description | Qty | Remarks | |
|---------|-------------|------------------------|-----|---------|--|
| 92037 | 92037-1678 | CLAMP | 2 | | |
| 92043 | 92043-0885 | PIN,10X16 | 2 | | |
| 92043A | 92043-0886 | PIN,8X16 | 2 | | |
| 92055 | 92055-0857 | RING-O | 1 | | |
| 92066 | 92066-0851 | PLUG,DRAIN | 1 | | |
| 92153 | 92153-1425 | BOLT,FLANGED,6X30 | 1 | | |
| 92154 | 92154-1985 | BOLT,10X20 | 9 | | |
| 92154A | 92154-1986 | BOLT,TORX,6X10 | 16 | | |
| 92154B | 92154-1997 | BOLT,FLANGED,6X14 | 3 | | |
| 92154C | 92154-1998 | BOLT,FLANGED,6X12 | 2 | | |
| 92154D | 92154-2068 | BOLT,FLANGED,6X10 | 2 | | |
| 92171 | 92171-0372 | CLAMP,CLIP,12.5MM | 2 | | |
| 92180 | 92180-0968 | SHIM,T=1.0 | AR | | |
| 92180 | 92180-0969 | SHIM,T=0.5 | AR | | |
| 92192 | 92192-1482 | TUBE,9X17.5X52 | 1 | | |
| 92192A | 92192-1501 | TUBE,PIPE COMP-OIL PAN | 1 | | |
| 92210 | 92210-0555 | NUT,FLANGED,8MM | 1 | | |

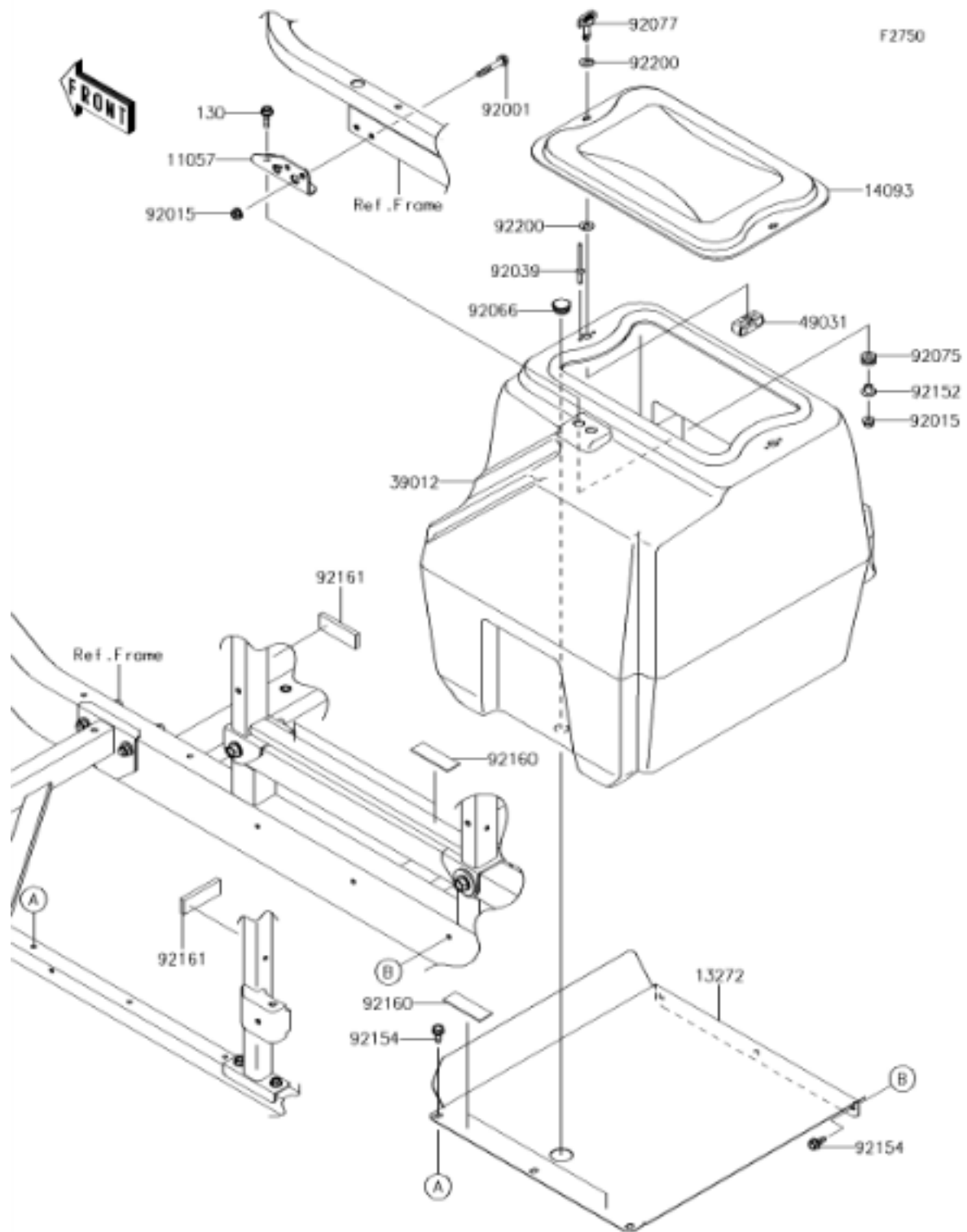
F2890



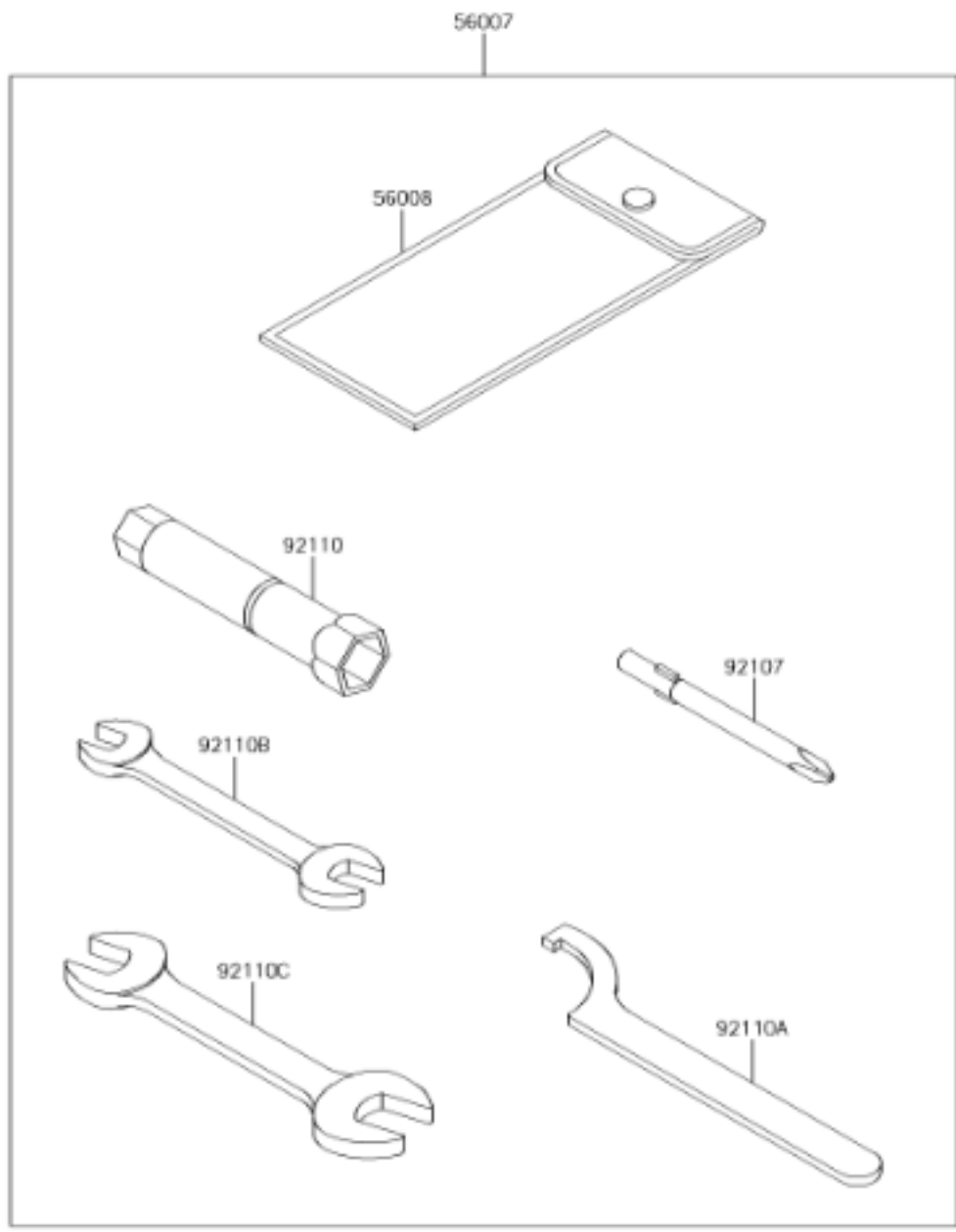
(Ref. Drive Converter)



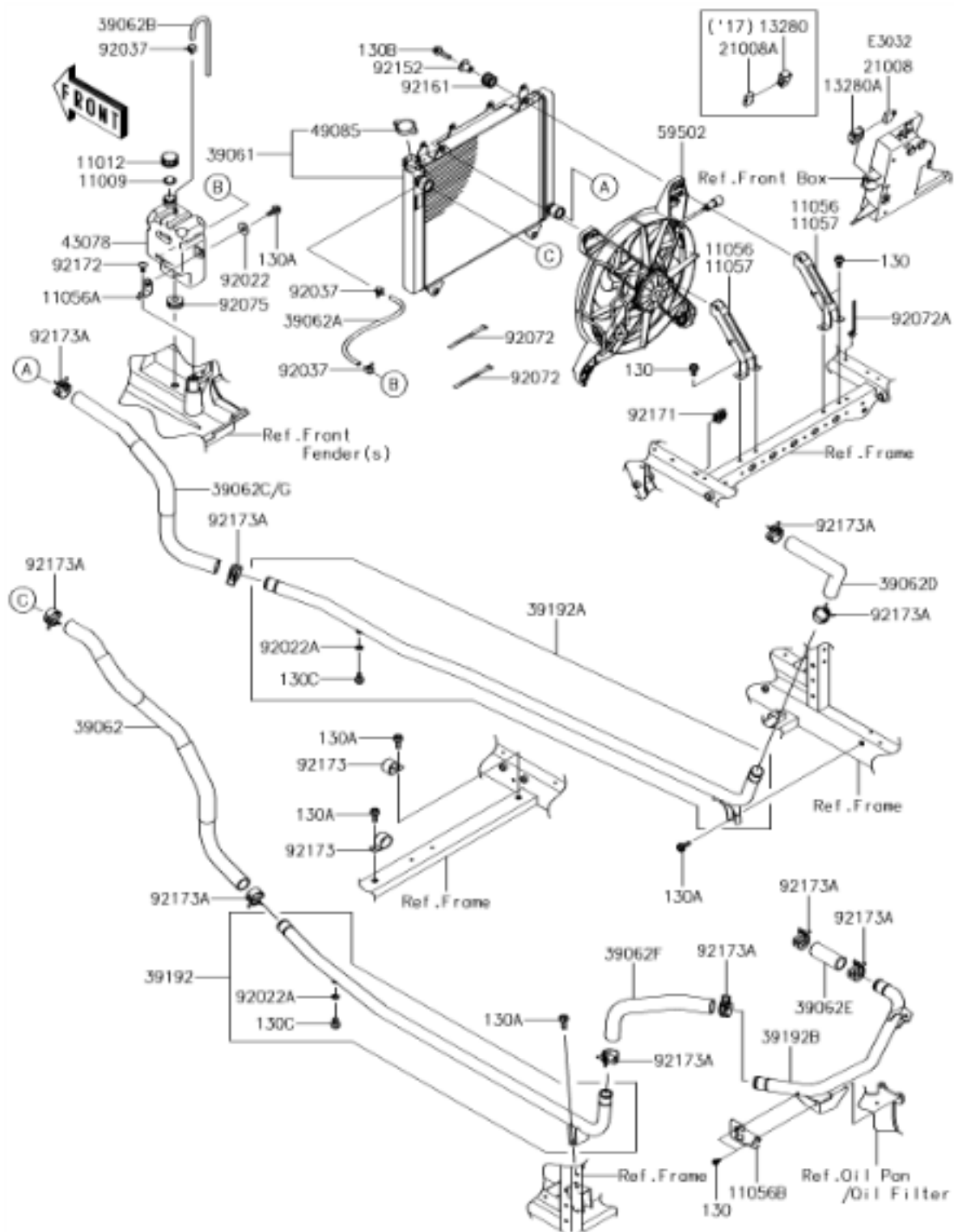
| Callout | Part Number | Description | Qty | Remarks | |
|---------|-------------|--------------|-----|----------|--|
| 92026 | 92026-0038 | SPACER,T=0.1 | 2 | (OPTION) | |



| Callout | Part Number | Description | Qty | Remarks | |
|---------|-------------|----------------------|-----|---------|--|
| 130 | 130BA0620 | BOLT-FLANGED,6X20 | 2 | | |
| 11057 | 11057-1503 | BRACKET,TUB MOUNT | 1 | | |
| 13272 | 13272-2205 | PLATE,FLOOR BOTTOM | 1 | | |
| 14093 | 14093-0523 | COVER,STORAGE BOX | 1 | | |
| 39012 | 39012-0046 | CASE-STORAGE | 1 | | |
| 49031 | 49031-0008 | LATCH | 2 | | |
| 92001 | 92001-1105 | BOLT,FLANGED,6X38 | 2 | | |
| 92015 | 92015-1603 | NUT,LOCK,FLANGED,6MM | 4 | | |
| 92039 | 92039-0785 | RIVET,3.2X9.5 | 4 | | |
| 92066 | 92066-1306 | PLUG | 1 | | |
| 92075 | 92075-1912 | DAMPER | 2 | | |
| 92077 | 92077-0030 | KNOB | 2 | | |
| 92152 | 92152-0237 | COLLAR,6.3X8.3X9.2 | 2 | | |
| 92154 | 92154-1250 | BOLT,6X15.6 | 6 | | |
| 92160 | 92160-1075 | DAMPER | 4 | | |
| 92161 | 92161-1874 | DAMPER,20X60X6 | 2 | | |
| 92200 | 92200-0503 | WASHER | 4 | | |

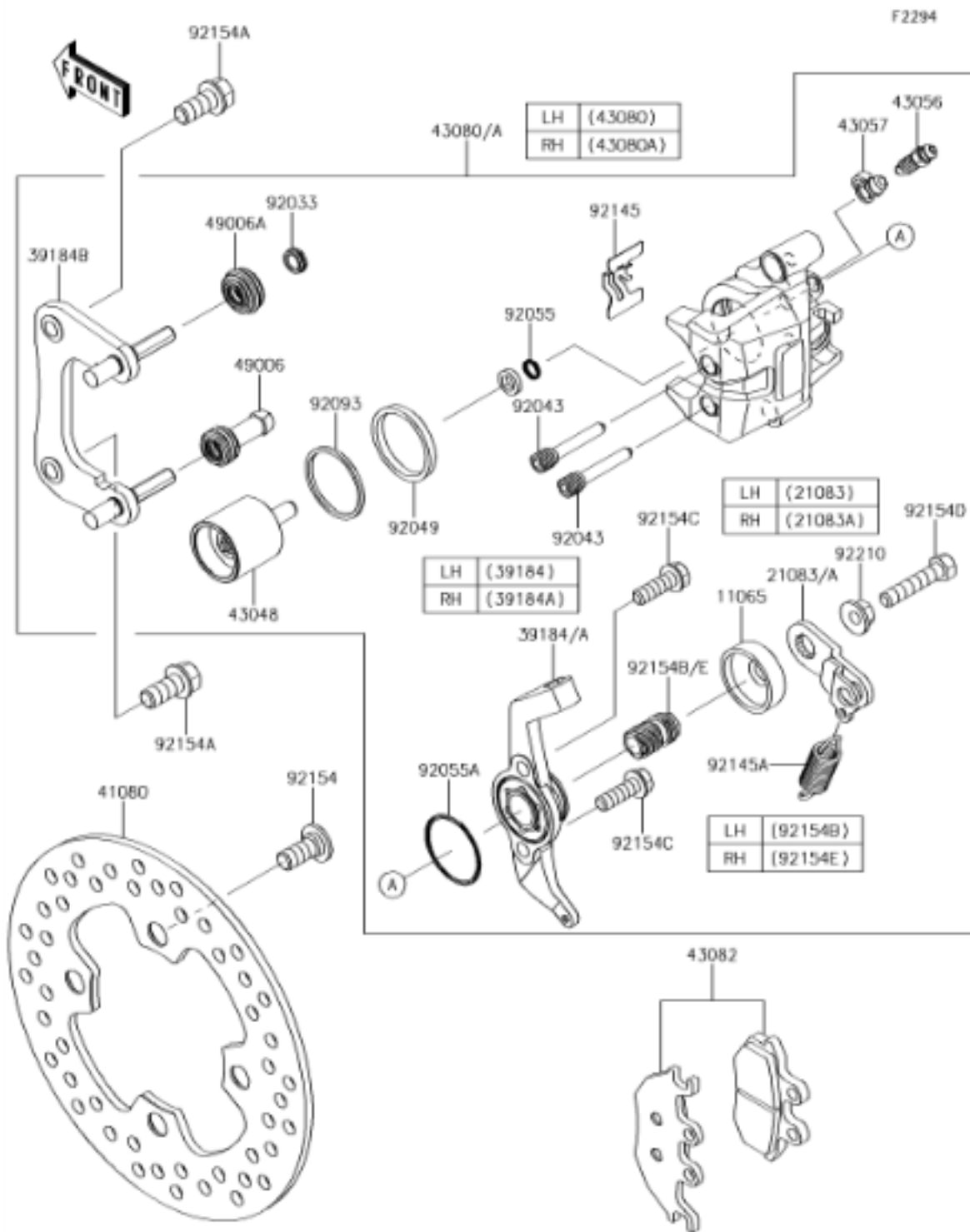


| Callout | Part Number | Description | Qty | Remarks | |
|---------|-------------|----------------------------|-----|---------|--|
| 56007 | 56007-0087 | TOOL-KIT | 1 | | |
| 56008 | 56008-1007 | BAG,TOOL | 1 | | |
| 92107 | 92107-005 | TOOL-DRIVER,#3PHILLIPS | 1 | | |
| 92110 | 92110-1115 | TOOL-WRENCH,BOX,21MM | 1 | | |
| 92110A | 92110-1129 | TOOL-WRENCH,HOOK | 1 | | |
| 92110B | 92110-1152 | TOOL-WRENCH,OPEN END,10X12 | 1 | | |
| 92110C | 92110-1153 | TOOL-WRENCH,OPEN END,14X17 | 1 | | |



| Callout | Part Number | Description | Qty | Remarks | |
|---------|-------------|-----------------------------|-----|---------|--|
| 130 | 130BA0612 | BOLT-FLANGED,6X12 | 6 | | |
| 130A | 130BA0616 | BOLT-FLANGED,6X16 | 5 | | |
| 130B | 130BA0625 | BOLT-FLANGED,6X25 | 4 | | |
| 130C | 130BB0610 | BOLT-FLANGED,6X10 | 2 | | |
| 11009 | 11009-1145 | GASKET,RESERVOIR TANK CAP | 1 | | |
| 11012 | 11012-1084 | CAP | 1 | | |
| 11056A | 11056-3856 | BRACKET,RESERVOIR | 1 | | |
| 11056B | 11056-7479 | BRACKET,HARNESS | 1 | | |
| 11057 | 11057-0774 | BRACKET,RADIATOR | 2 | | |
| 13280A | 13280-0898 | HOLDER,BREAKER | 1 | | |
| 21008 | 21008-0011 | BREAKER,RAD. FAN,20A | 1 | | |
| 39061 | 39061-0706 | RADIATOR-ASSY | 1 | | |
| 39062 | 39062-0650 | HOSE-COOLING,RADIATOR IN | 1 | | |
| 39062A | 39062-0657 | HOSE-COOLING,RAD.-RESERVOIR | 1 | | |
| 39062B | 39062-0696 | HOSE-COOLING,OVER FLOW | 1 | | |
| 39062D | 39062-0713 | HOSE-COOLING,ENGINE IN | 1 | | |
| 39062E | 39062-0714 | HOSE-COOLING,ENGINE OUT | 1 | | |
| 39062F | 39062-0715 | HOSE-COOLING,ENGINE OUT | 1 | | |
| 39062C | 39062-0777 | HOSE-COOLING,RADIATOR OUT | 1 | | |

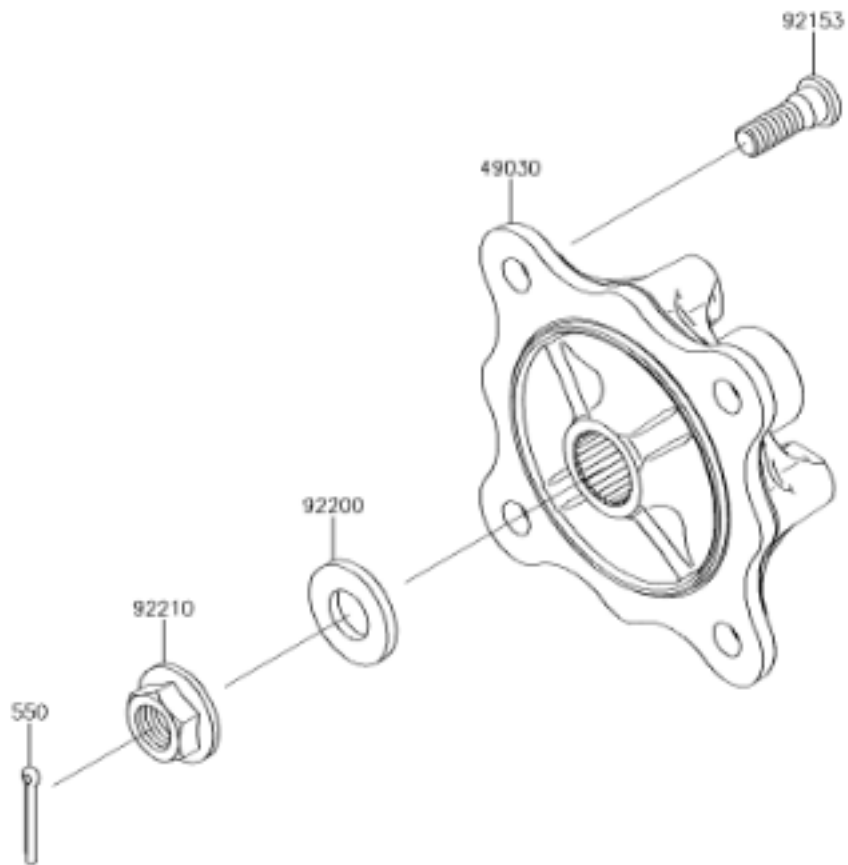
| Callout | Part Number | Description | Qty | Remarks | |
|---------|-------------|-----------------------|-----|---------|--|
| 39192 | 39192-0575 | PIPE-WATER,LH | 1 | | |
| 39192A | 39192-0591 | PIPE-WATER,RH | 1 | | |
| 39192B | 39192-0593 | PIPE-WATER,CNT | 1 | | |
| 43078 | 43078-0571 | RESERVOIR | 1 | | |
| 49085 | 49085-0005 | CAP-ASSY-PRESSURE | 1 | | |
| 59502 | 59502-0609 | FAN-ASSY | 1 | | |
| 92022 | 92022-165 | WASHER,PLAIN,6MM | 1 | | |
| 92022A | 92022-304 | WASHER,6.2X11X1 | 2 | | |
| 92037 | 92037-1461 | CLAMP,TUBE | 3 | | |
| 92072 | 92072-030 | BAND,L=123 | 2 | | |
| 92072A | 92072-1414 | BAND,OS170-FT7(BLACK) | 1 | | |
| 92075 | 92075-1185 | DAMPER | 1 | | |
| 92152 | 92152-1512 | COLLAR | 4 | | |
| 92161 | 92161-1349 | DAMPER | 4 | | |
| 92171 | 92171-0453 | CLAMP | 1 | | |
| 92172 | 92172-0284 | SCREW,6X16 | 1 | | |
| 92173 | 92173-1204 | CLAMP | 2 | | |
| 92173A | 92173-1205 | CLAMP,28.6MM | 10 | | |



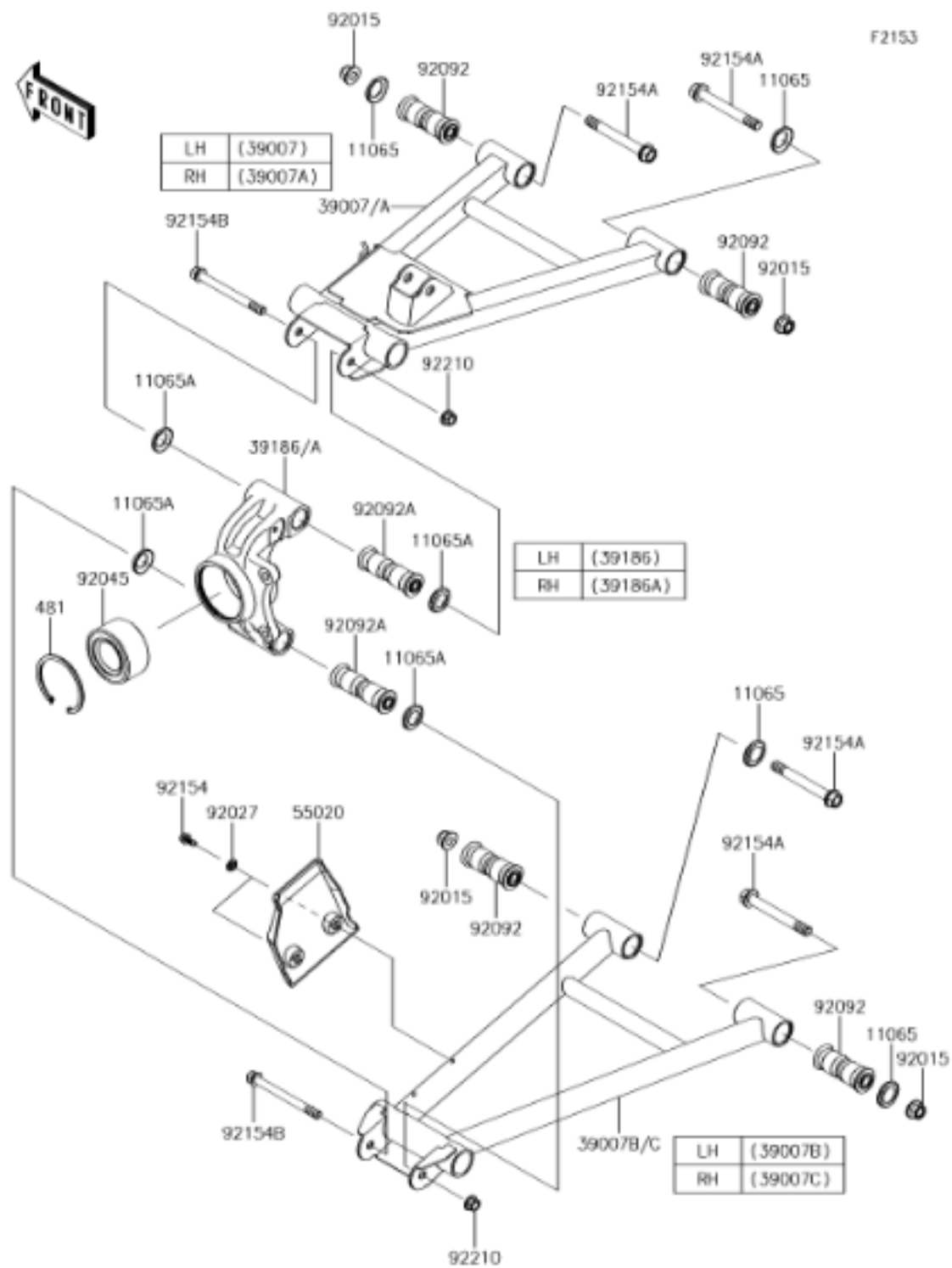
| Callout | Part Number | Description | Qty | Remarks | |
|---------|-------------|------------------------|-----|---------|--|
| 11065 | 11065-0870 | CAP | 2 | | |
| 21083 | 21083-0728 | ARM,BRAKE,RR,LH | 1 | | |
| 21083 | 21083-0729 | ARM,BRAKE,RR,RH | 1 | | |
| 39184 | 39184-0042 | BRACKET-ASSY,LH | 1 | | |
| 39184 | 39184-0043 | BRACKET-ASSY,RH | 1 | | |
| 39184B | 39184-0044 | BRACKET-ASSY | 2 | | |
| 41080 | 41080-0608 | DISC | 2 | | |
| 43048 | 43048-0027 | PISTON-CALIPER | 2 | | |
| 43056 | 43056-0010 | BREATHER-BRAKE | 2 | | |
| 43057 | 43057-0552 | CAP-BREATHER | 2 | | |
| 43080 | 43080-0163 | CALIPER-SUB-ASSY,RR,LH | 1 | | |
| 43080 | 43080-0164 | CALIPER-SUB-ASSY,RR,RH | 1 | | |
| 43082 | 43082-0140 | PAD-ASSY-BRAKE | 2 | | |
| 49006 | 49006-0591 | BOOT | 2 | | |
| 49006A | 49006-0592 | BOOT | 2 | | |
| 92033 | 92033-0749 | RING-SNAP | 2 | | |
| 92043 | 92043-0818 | PIN | 4 | | |
| 92049 | 92049-0765 | SEAL-OIL | 2 | | |
| 92055 | 92055-0793 | RING-O | 2 | | |

| Callout | Part Number | Description | Qty | Remarks | |
|---------|-------------|--------------------|-----|---------|--|
| 92055A | 92055-0795 | RING-O | 2 | | |
| 92093 | 92093-0613 | SEAL | 2 | | |
| 92145 | 92145-1619 | SPRING | 2 | | |
| 92145A | 92145-1690 | SPRING,RETURN,47MM | 2 | | |
| 92154 | 92154-0713 | BOLT,SOCKET,10X23 | 8 | | |
| 92154A | 92154-1327 | BOLT,FLANGED,10X22 | 4 | | |
| 92154B | 92154-1479 | BOLT,LH | 1 | | |
| 92154C | 92154-1480 | BOLT | 4 | | |
| 92154D | 92154-1481 | BOLT | 2 | | |
| 92154B | 92154-1503 | BOLT,RH | 1 | | |
| 92210 | 92210-0912 | NUT | 2 | | |

F2240

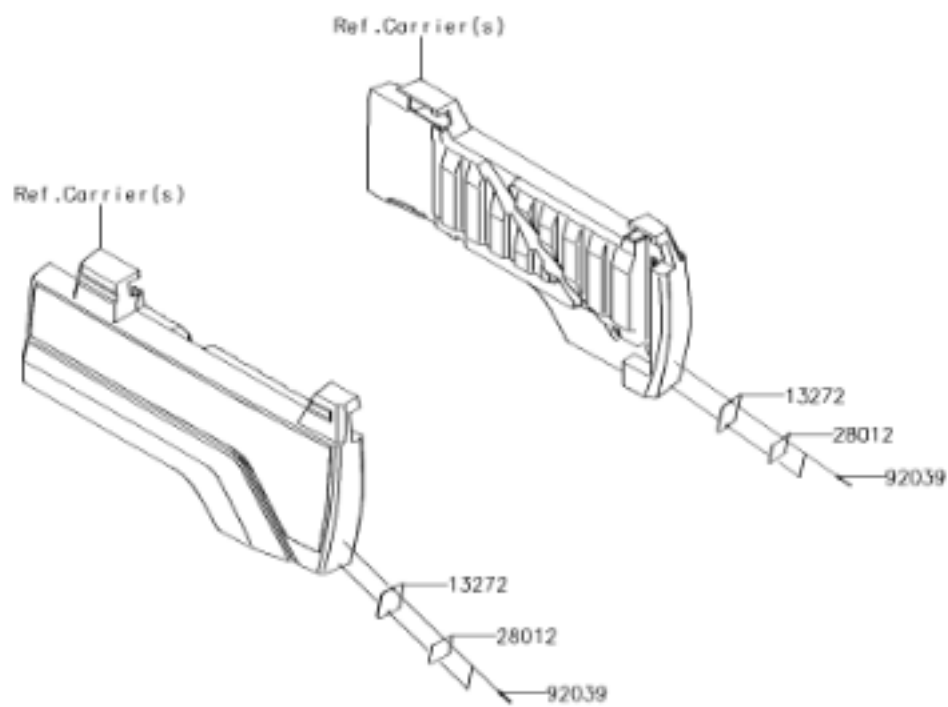


| Callout | Part Number | Description | Qty | Remarks | |
|---------|-------------|--------------------|-----|---------|--|
| 550 | 550AA4030 | PIN-COTTER,4.0X30 | 2 | | |
| 49030 | 49030-0049 | HUB,RR | 2 | | |
| 92153 | 92153-1915 | BOLT,12MM | 8 | | |
| 92200 | 92200-0921 | WASHER,20.3X41X4.5 | 2 | | |
| 92210 | 92210-2093 | NUT,FLANGED,20MM | 2 | | |



| Callout | Part Number | Description | Qty | Remarks | |
|---------|-------------|---------------------------|-----|---------|--|
| 481 | 481J7500 | CIRCLIP-TYPE-C | 2 | | |
| 11065 | 11065-0838 | CAP,ARM | 8 | | |
| 11065A | 11065-0849 | CAP | 8 | | |
| 39007 | 39007-0379 | ARM-SUSP,RR,UPP,LH | 1 | | |
| 39007 | 39007-0380 | ARM-SUSP,RR,UPP,RH | 1 | | |
| 39007B | 39007-0381 | ARM-SUSP,RR,LWR,LH | 1 | | |
| 39007B | 39007-0382 | ARM-SUSP,RR,LWR,RH | 1 | | |
| 39186 | 39186-0317 | KNUCKLE,RR,LH | 1 | | |
| 39186 | 39186-0318 | KNUCKLE,RR,RH | 1 | | |
| 55020 | 55020-0931 | GUARD,RR CVJ | 2 | | |
| 92015 | 92015-1433 | NUT,LOCK,FLANGED,12MM | 8 | | |
| 92027 | 92027-1168 | COLLAR,L=4.6 | 4 | | |
| 92045 | 92045-0763 | BEARING-BALL,40X74X36 | 2 | | |
| 92092 | 92092-0028 | BUSHING-RUBBER,12X20X78 | 8 | | |
| 92092A | 92092-0029 | BUSHING-RUBBER,10.1X17X88 | 4 | | |
| 92154 | 92154-1250 | BOLT,6X15.6 | 4 | | |
| 92154A | 92154-1318 | BOLT,FLANGED,12X100 | 8 | | |
| 92154B | 92154-1353 | BOLT,FLANGED,10X110 | 4 | | |
| 92210 | 92210-0276 | NUT,LOCK,FLANGED,10MM | 4 | | |

F2790

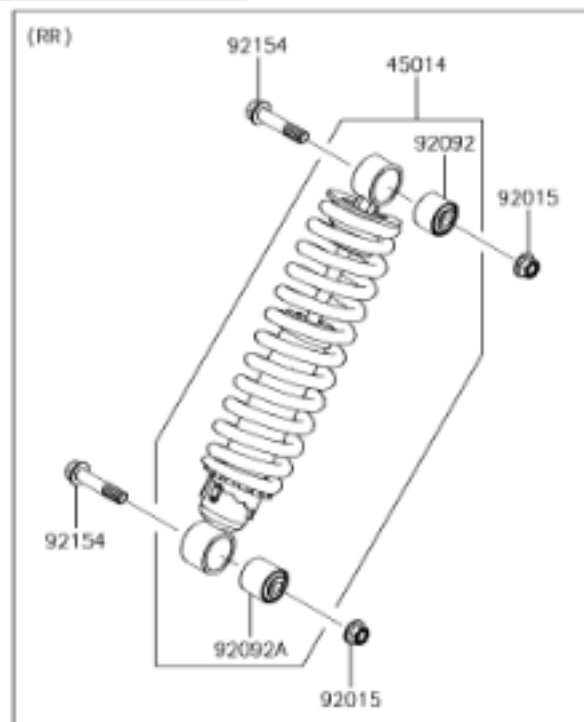
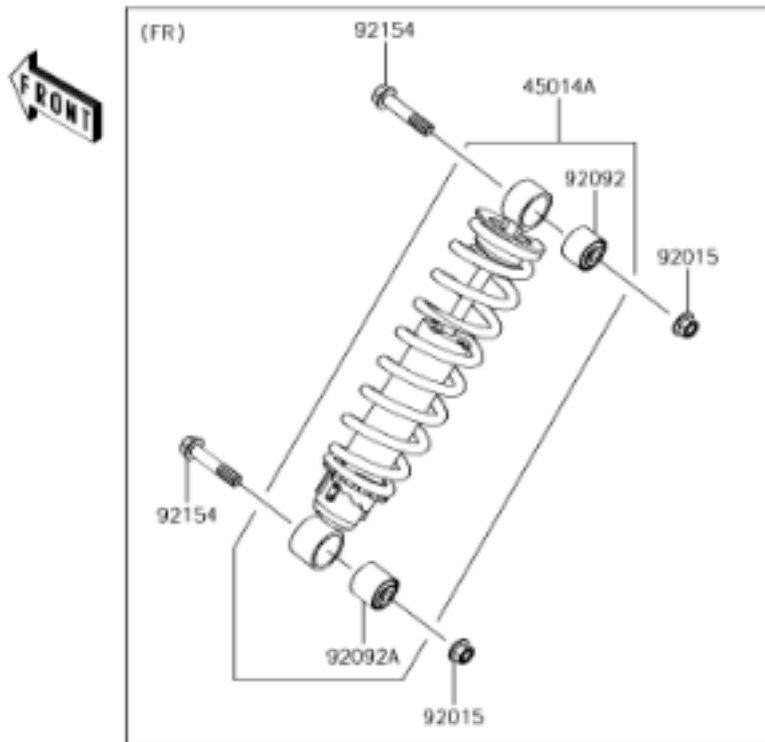


| Callout | Part Number | Description | Qty | Remarks | |
|---------|-------------|------------------------|-----|---------|--|
| 13272 | 13272-1997 | PLATE | 2 | | |
| 28012 | 28012-0036 | REFLECTOR-REFLEX,50X50 | 2 | | |
| 92039 | 92039-0762 | RIVET,3.2X13.4 | 4 | | |

| Callout | Part Number | Description | Qty | Remarks | |
|---------|---------------|------------------------|-----|---------|--|
| 130 | 130BA1220 | BOLT-FLANGED,12X20 | 12 | | |
| 130A | 130CA0816 | BOLT-FLANGED,8X16 | 4 | | |
| 13183 | 13183-1400 | PLATE,SEAT | 2 | | |
| 13272 | 13272-1699 | PLATE | 2 | | |
| 53007 | 53007-0364 | FRAME-SEAT | 1 | | |
| 53061A | 53061-0039 | BELT-SEAT,BUCKLE | 3 | | |
| 53061 | 53061-0338 | BELT-SEAT,BUCKLE,SW. | 1 | | |
| 53061B | 53061-0340 | BELT-SEAT,FR,LH&RH | 2 | | |
| 53061C | 53061-0348 | BELT-SEAT,RR,LH&RH | 2 | | |
| 53066 | 53066-0426-MA | SEAT-ASSY,BACK,BLACK | 2 | | |
| 53066A | 53066-0495-MA | SEAT-ASSY,BOTTOM,BLACK | 2 | | |
| 92039 | 92039-0747 | RIVET | 8 | | |
| 92039A | 92039-0776 | RIVET | 4 | | |
| 92043 | 92043-0859 | PIN | 2 | | |
| 92072 | 92072-0769 | BAND | 2 | | |
| 92154 | 92154-1959 | BOLT,FLANGED,10X19.5 | 4 | | |
| 92161 | 92161-1065 | DAMPER,SEAT | 4 | | |
| 92161A | 92161-1784 | DAMPER,10.5X30X8.2 | 2 | | |
| 92172 | 92172-0284 | SCREW,6X16 | 2 | | |

| Callout | Part Number | Description | Qty | Remarks | |
|---------|-------------|--------------------|-----|---------|--|
| 92172A | 92172-0488 | SCREW,TAPPING,6X20 | 12 | | |
| 92200 | 92200-1798 | WASHER,16X22X2 | 4 | | |

F2280

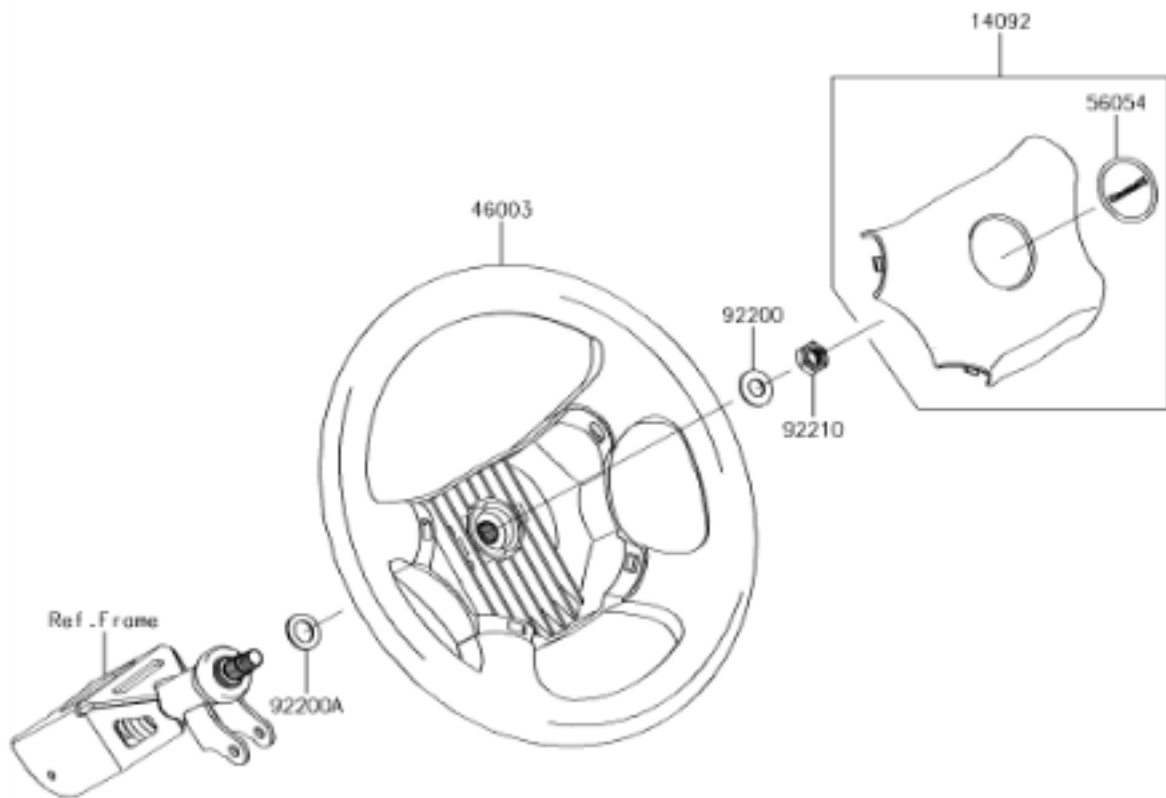


| Callout | Part Number | Description | Qty | Remarks | |
|---------|-------------|-----------------------|-----|---------|--|
| 45014 | 45014-0537 | SHOCKABSORBER,RR | 2 | | |
| 45014A | 45014-0558 | SHOCKABSORBER,FR | 2 | | |
| 92015 | 92015-1433 | NUT,LOCK,FLANGED,12MM | 8 | | |
| 92092 | 92092-0034 | BUSHING-RUBBER,UPP | 4 | | |
| 92092A | 92092-0035 | BUSHING-RUBBER,LWR | 4 | | |
| 92154 | 92154-1319 | BOLT,FLANGED,12X58 | 8 | | |

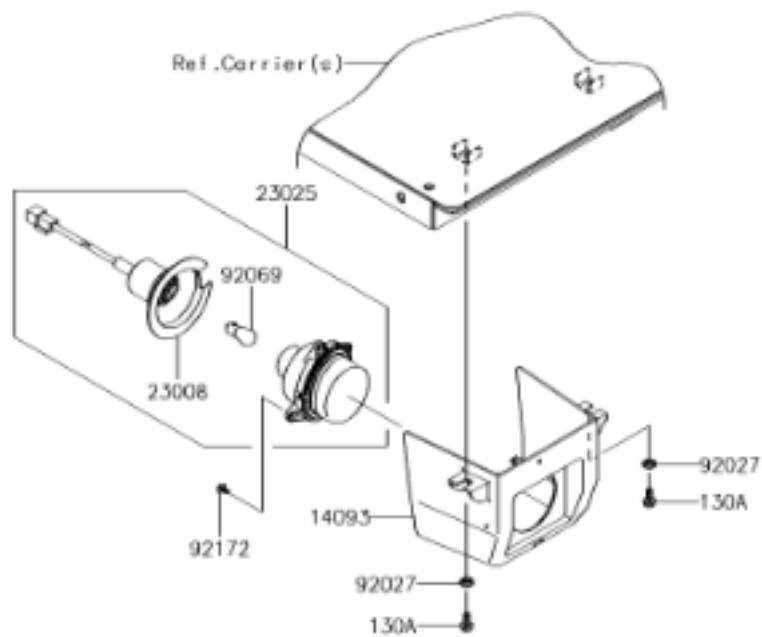
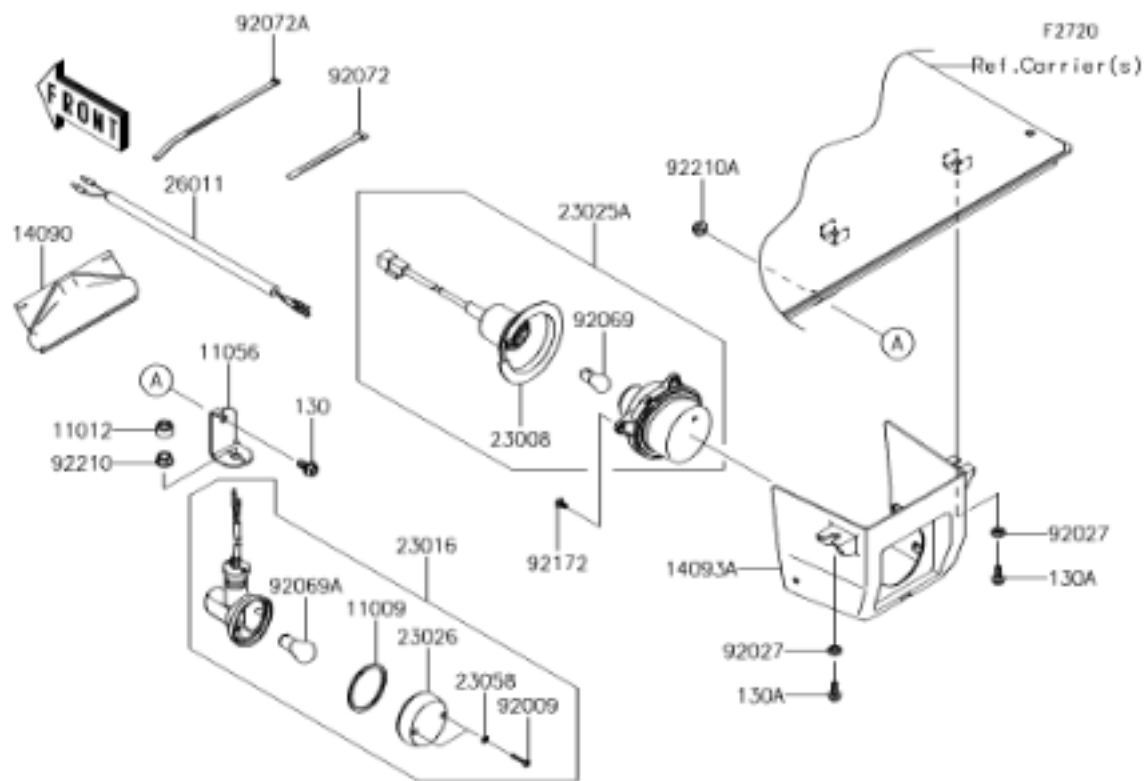
| Callout | Part Number | Description | Qty | Remarks | |
|---------|-------------|--------------------|-----|---------|--|
| 11061 | 11061-1195 | GASKET,STARTER | 1 | | |
| 11065 | 11065-0939 | CAP | 1 | | |
| 13107 | 13107-0841 | SHAFT | 1 | | |
| 13151 | 13151-0573 | SWITCH-COMP,MAGNET | 1 | | |
| 13280 | 13280-0863 | HOLDER | 1 | | |
| 14020 | 14020-0020 | RETAINER | 1 | | |
| 14020A | 14020-0021 | RETAINER | 1 | | |
| 14093 | 14093-0449 | COVER | 1 | | |
| 16085 | 16085-0649 | GEAR,PINION | 1 | | |
| 16085A | 16085-0652 | GEAR,PINION | 1 | | |
| 21080 | 21080-0010 | ARMATURE | 1 | | |
| 21163 | 21163-0752 | STARTER-ELECTRIC | 1 | | |
| 21163A | 21163-0753 | STARTER-ELECTRIC | 1 | | |
| 31011 | 31011-0029 | FRAME | 1 | | |
| 49101 | 49101-0002 | CLUTCH,STARTER | 1 | | |
| 49117 | 49117-0593 | YOKE | 1 | | |
| 92033 | 92033-0775 | RING-SNAP | 1 | | |
| 92045 | 92045-0808 | BEARING-BALL | 1 | | |
| 92045A | 92045-0809 | BEARING-BALL | 1 | | |

| Callout | Part Number | Description | Qty | Remarks | |
|---------|-------------|-------------|-----|---------|--|
| 92055 | 92055-0863 | RING-O | 2 | | |
| 92122 | 92122-0048 | ROLLER | 5 | | |
| 92140 | 92140-0017 | BALL | 1 | | |
| 92145 | 92145-1713 | SPRING | 1 | | |
| 92145A | 92145-1714 | SPRING | 1 | | |
| 92145B | 92145-1715 | SPRING | 4 | | |
| 92145C | 92145-1716 | SPRING | 1 | | |
| 92154 | 92154-2072 | BOLT | 2 | | |
| 92154A | 92154-2073 | BOLT | 2 | | |
| 92172 | 92172-0988 | SCREW | 2 | | |
| 92210 | 92210-1470 | NUT | 1 | | |
| 92210A | 92210-1472 | NUT | 1 | | |
| 92210B | 92210-1473 | NUT,8MM | 2 | | |

F2311

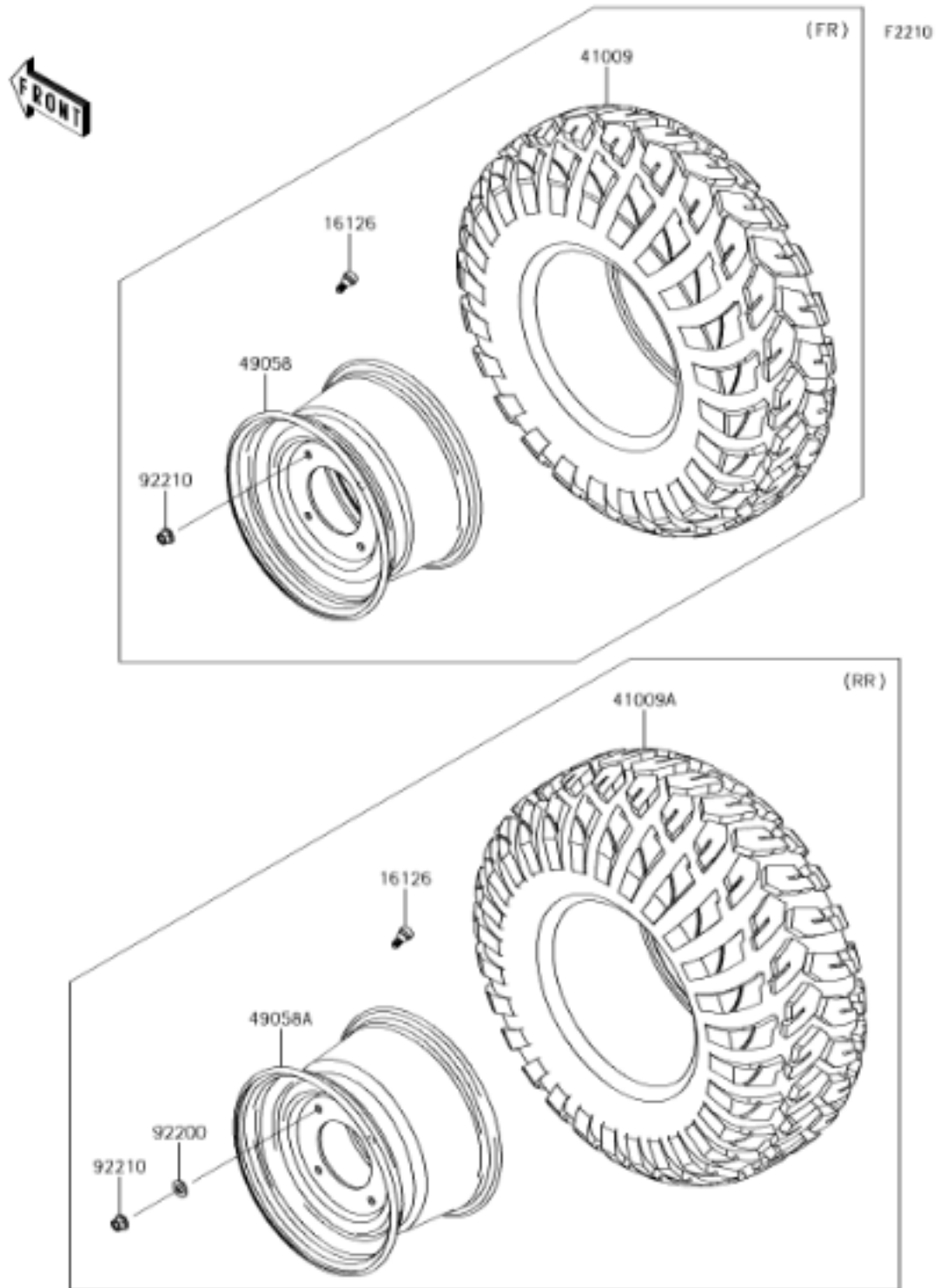


| Callout | Part Number | Description | Qty | Remarks | |
|---------|-------------|---------------------------|-----|---------|--|
| 14092 | 14092-1029 | COVER,HORN SWITCH | 1 | | |
| 46003 | 46003-0595 | HANDLE | 1 | | |
| 56054 | 56054-1188 | MARK,CENTER LOGO,KAWASAKI | 1 | | |
| 92200 | 92200-0455 | WASHER,12.1X25X1.6 | 1 | | |
| 92200A | 92200-0460 | WASHER,15X25X1.6 | 1 | | |
| 92210 | 92210-1249 | NUT,LOCK,12MM | 1 | | |



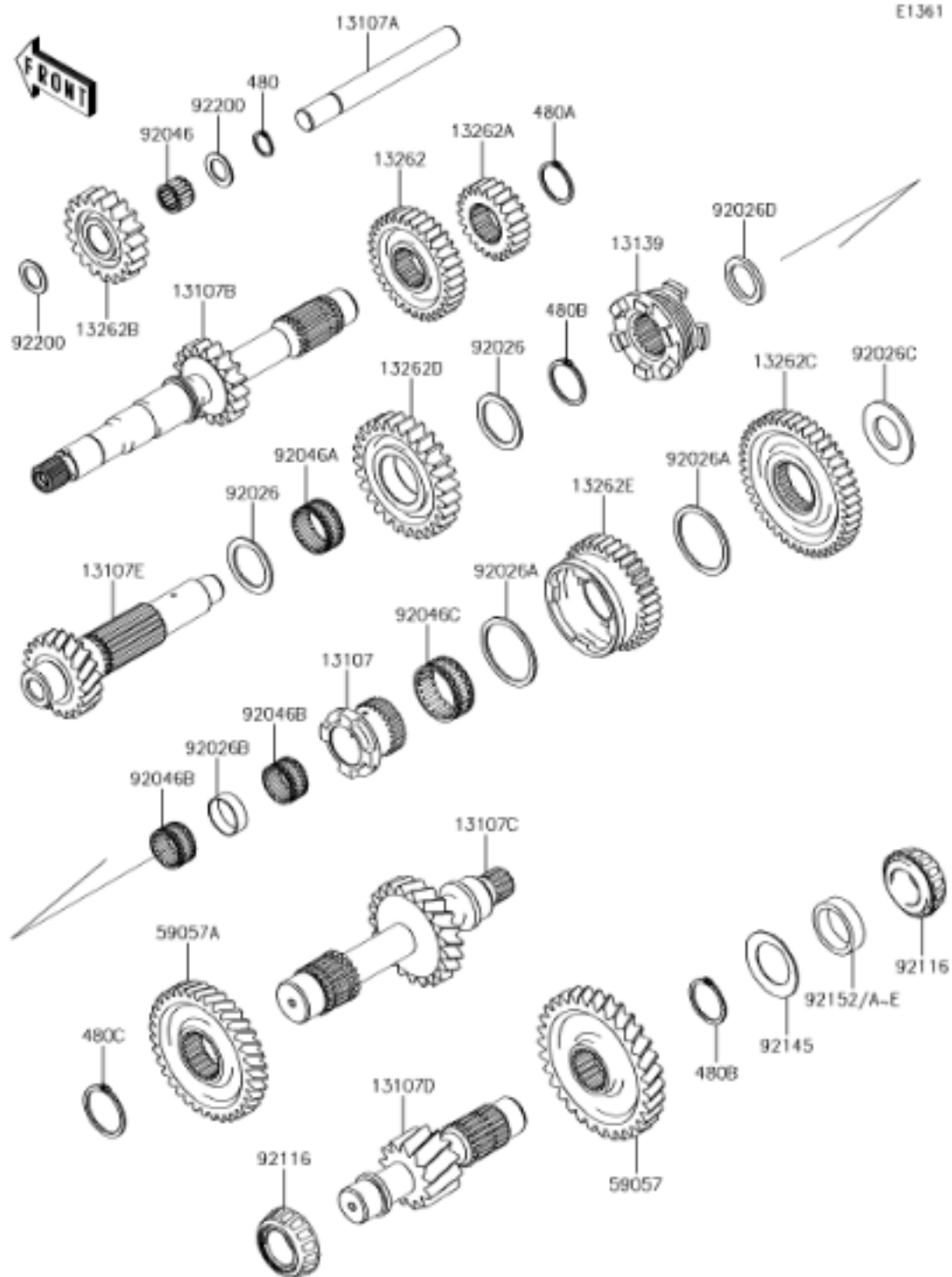
| Callout | Part Number | Description | Qty | Remarks | |
|---------|-------------|--------------------|-----|---------|--|
| 130 | 130BA0816 | BOLT-FLANGED,8X16 | 1 | | |
| 130A | 130CA0616 | BOLT-FLANGED,6X16 | 4 | | |
| 11009 | 11009-1373 | GASKET | 1 | | |
| 11012 | 11012-1367 | CAP | 1 | | |
| 11056 | 11056-7482 | BRACKET | 1 | | |
| 14090 | 14090-1331 | COVER,COUPLER | 1 | | |
| 14093 | 14093-0580 | COVER,TAIL LAMP,LH | 1 | | |
| 14093A | 14093-0581 | COVER,TAIL LAMP,RH | 1 | | |
| 23008 | 23008-0162 | SOCKET-ASSY | 2 | | |
| 23016 | 23016-1182 | LAMP-ASSY,REVERSE | 1 | | |
| 23025 | 23025-0334 | LAMP-TAIL,LH | 1 | | |
| 23025A | 23025-0341 | LAMP-TAIL,RH | 1 | | |
| 23026 | 23026-1227 | LENS,REVERSE LAMP | 1 | | |
| 23058 | 23058-002 | WASHER,PLAIN,4MM | 2 | | |
| 26011 | 26011-0927 | WIRE-LEAD | 1 | | |
| 92009 | 92009-1069 | SCREW,TAPPING,4X25 | 2 | | |
| 92027 | 92027-1168 | COLLAR,L=4.6 | 4 | | |
| 92069 | 92069-0072 | BULB,12V 21/5W | 2 | | |
| 92069A | 92069-085 | BULB,12V 10W | 1 | | |

| Callout | Part Number | Description | Qty | Remarks | |
|---------|-------------|-----------------------|-----|---------|--|
| 92072 | 92072-030 | BAND,L=123 | 1 | | |
| 92072A | 92072-3509 | BAND,L=292.1 | 1 | | |
| 92172 | 92172-0262 | SCREW,TAPPING,5X10 | 6 | | |
| 92210 | 92210-0276 | NUT,LOCK,FLANGED,10MM | 1 | | |
| 92210A | 92210-0493 | NUT,FLANGED,LOCK,8MM | 1 | | |



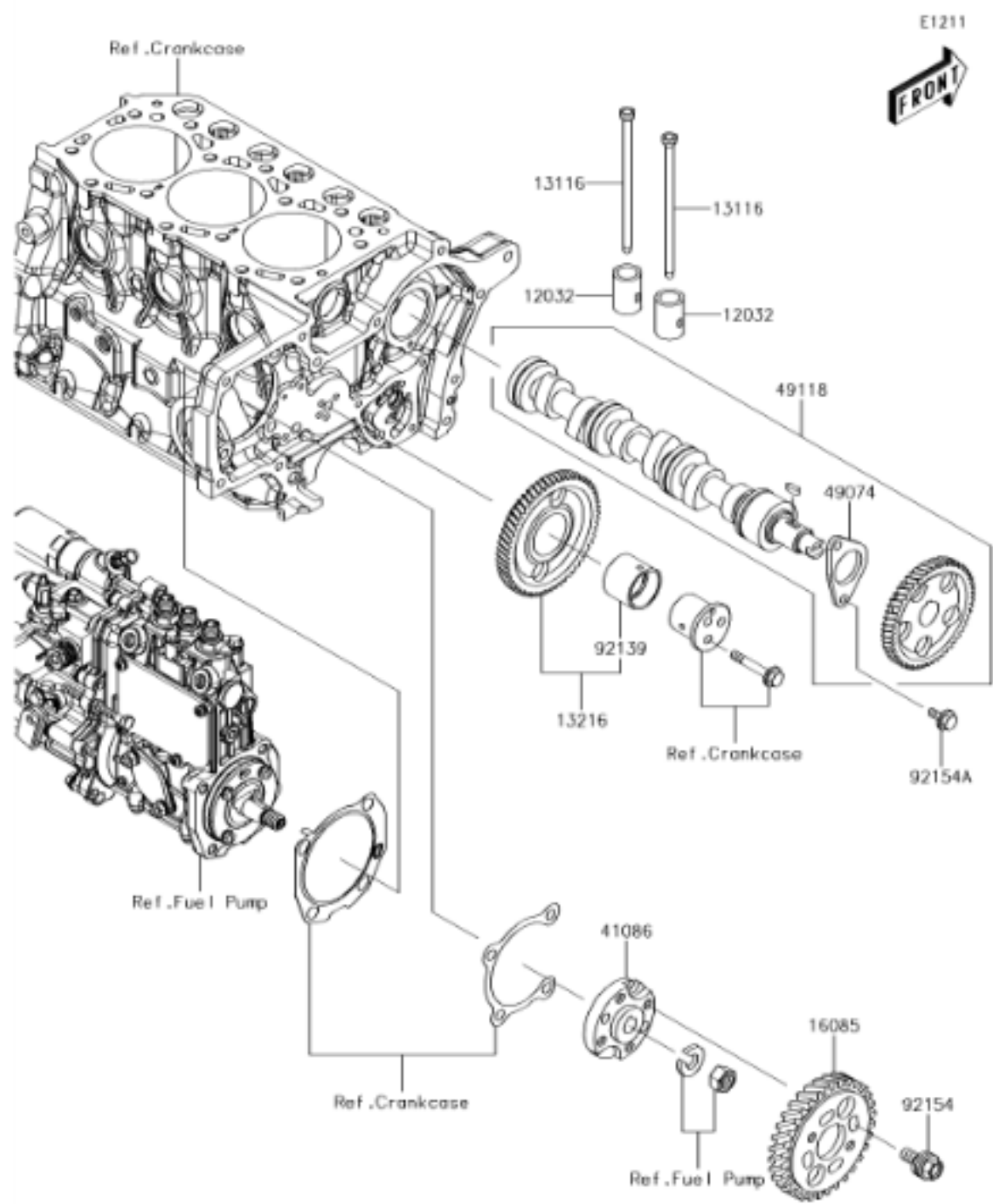
| Callout | Part Number | Description | Qty | Remarks | |
|---------|----------------|----------------------------------|-----|---------|--|
| 16126 | 16126-4001 | VALVE | 4 | | |
| 41009 | 41009-0696 | TIRE,FR,26X9.00R12 4PR,FRONTIER | 2 | | |
| 41009A | 41009-0697 | TIRE,RR,26X11.00R12 4PR,FRONTIER | 2 | | |
| 49058 | 49058-0608-397 | WHEEL,FR,12X7.0AT,F.S.BLACK | 2 | | |
| 49058A | 49058-0611-397 | WHEEL,RR,12X8.0AT,F.S.BLACK | 2 | | |
| 92200 | 92200-0930 | WASHER,12.1X26X2.3 | 8 | | |
| 92210 | 92210-0603 | NUT,12MM | 16 | | |

E1361

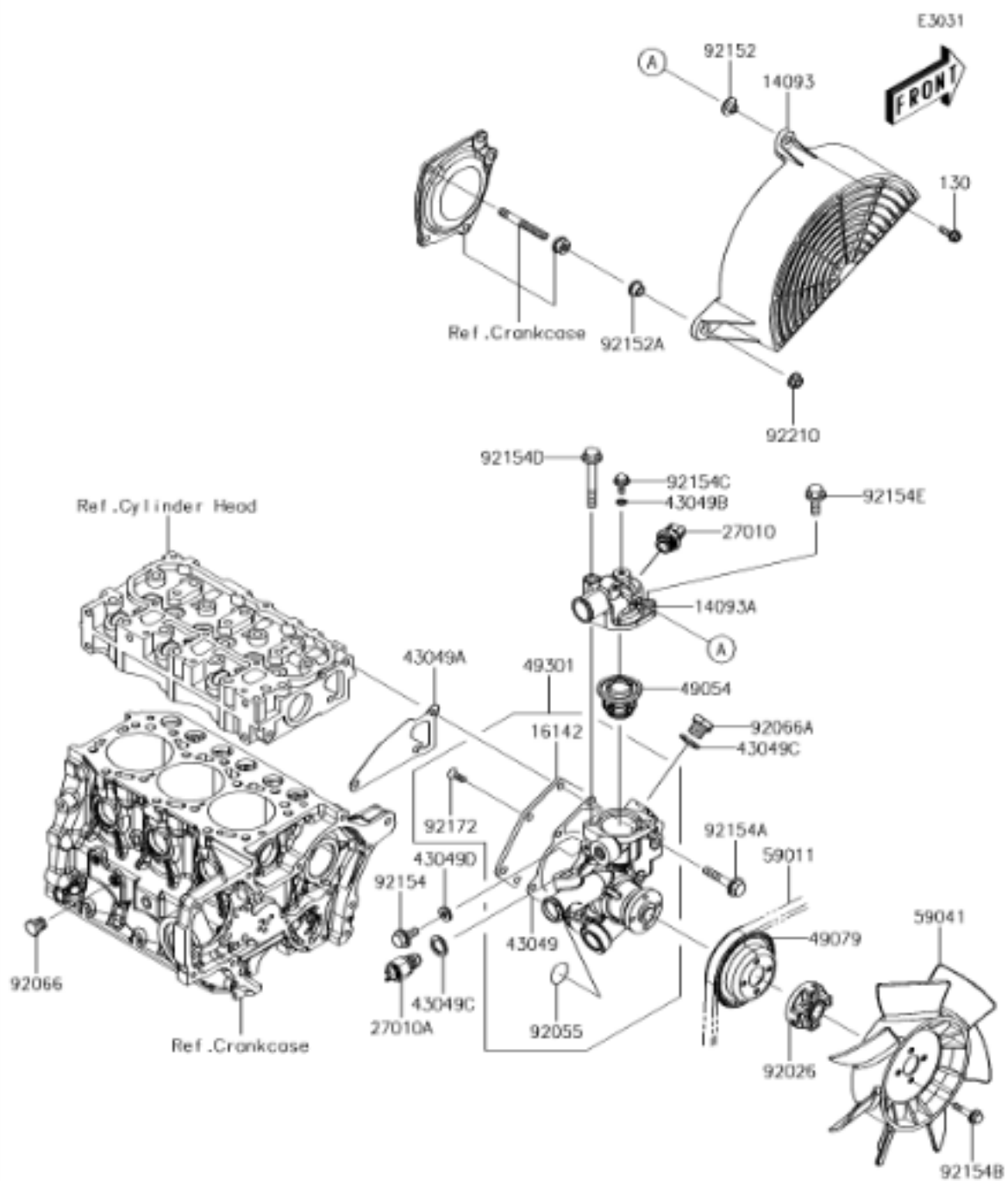


| Callout | Part Number | Description | Qty | Remarks | |
|---------|-------------|----------------------|-----|---------|--|
| 480 | 480J1800 | CIRCLIP-TYPE-C,18MM | 1 | | |
| 480A | 480J3200 | CIRCLIP-TYPE-C,32MM | 1 | | |
| 480B | 480J3500 | CIRCLIP | 2 | | |
| 480C | 480J4000 | CIRCLIP | 1 | | |
| 13107 | 13107-0779 | SHAFT | 1 | | |
| 13107A | 13107-0780 | SHAFT,IDLE REV | 1 | | |
| 13107B | 13107-0782 | SHAFT,INPUT,17T | 1 | | |
| 13107C | 13107-0784 | SHAFT,3RD,21T | 1 | | |
| 13107D | 13107-0785 | SHAFT,4TH,13T | 1 | | |
| 13107E | 13107-0829 | SHAFT,COUNTER,19T | 1 | | |
| 13139 | 13139-0022 | SHIFTER | 1 | | |
| 13262 | 13262-1085 | GEAR,INPUT HI,33T | 1 | | |
| 13262A | 13262-1086 | GEAR,INPUT LOW,22T | 1 | | |
| 13262B | 13262-1087 | GEAR,IDLE REV,19T | 1 | | |
| 13262C | 13262-1088 | GEAR,COUNTER LOW,45T | 1 | | |
| 13262D | 13262-1089 | GEAR,COUNTER REV,27T | 1 | | |
| 13262E | 13262-1090 | GEAR,COUNTER HI,34T | 1 | | |
| 59057 | 59057-0013 | GEAR-HELICAL,31T | 1 | | |
| 59057A | 59057-0022 | GEAR-HELICAL,3RD,36T | 1 | | |

| Callout | Part Number | Description | Qty | Remarks | |
|---------|-------------|---------------------------|-----|---------|--|
| 92026 | 92026-0765 | SPACER,35.2X47X2 | 2 | | |
| 92026A | 92026-0766 | SPACER,49.2X58X2 | 2 | | |
| 92026B | 92026-0767 | SPACER,29.4X31.8X10 | 1 | | |
| 92026C | 92026-0768 | SPACER | 1 | | |
| 92026D | 92026-0795 | SPACER,28.2X39X3.6 | 1 | | |
| 92046 | 92046-0040 | BEARING-NEEDLE,FMJ-182417 | 1 | | |
| 92046A | 92046-0611 | BEARING-NEEDLE,35X40X17 | 1 | | |
| 92046B | 92046-0621 | BEARING-NEEDLE,KT283317C3 | 2 | | |
| 92046C | 92046-1276 | BEARING-NEEDLE,HIGH GEAR | 1 | | |
| 92116 | 92116-0007 | BEARING-ROLLER | 2 | | |
| 92145 | 92145-1575 | SPRING | 1 | | |
| 92152 | 92152-1815 | COLLAR,L=12.1 | AR | | |
| 92152 | 92152-1816 | COLLAR,L=12.3 | AR | | |
| 92152 | 92152-1817 | COLLAR,L=12.5 | AR | | |
| 92152 | 92152-1818 | COLLAR,L=12.7 | AR | | |
| 92152 | 92152-1819 | COLLAR,L=12.9 | AR | | |
| 92152 | 92152-1820 | COLLAR,L=13.1 | AR | | |
| 92200 | 92200-0716 | WASHER,18.2X28X1.5 | 2 | | |



| Callout | Part Number | Description | Qty | Remarks | |
|---------|-------------|-------------------|-----|---------|--|
| 12032 | 12032-0021 | TAPPET | 6 | | |
| 13116 | 13116-0726 | ROD-PUSH | 6 | | |
| 13216 | 13216-0889 | GEAR-COMP,IDLE | 1 | | |
| 16085 | 16085-0648 | GEAR,PUMP | 1 | | |
| 41086 | 41086-0723 | FLANGE | 1 | | |
| 49074 | 49074-0004 | PLATE-THRUST | 1 | | |
| 49118 | 49118-0864 | CAMSHAFT-COMP | 1 | | |
| 92139 | 92139-0863 | BUSHING,IDLE GEAR | 1 | | |
| 92154 | 92154-1996 | BOLT | 4 | | |
| 92154A | 92154-1998 | BOLT,FLANGED,6X12 | 2 | | |



| Callout | Part Number | Description | Qty | Remarks | |
|---------|-------------|--------------------|-----|---------|--|
| 130 | 130BA0620 | BOLT-FLANGED,6X20 | 1 | | |
| 14093 | 14093-0297 | COVER,FAN | 1 | | |
| 14093A | 14093-0446 | COVER,THERMOSTAT | 1 | | |
| 16142 | 16142-0736 | COVER-PUMP | 1 | | |
| 27010 | 27010-0839 | SWITCH,THERMOSTAT | 1 | | |
| 27010A | 27010-0840 | SWITCH,THERMO | 1 | | |
| 43049 | 43049-0040 | PACKING,WATER PUMP | 1 | | |
| 43049A | 43049-0041 | PACKING,WATER PUMP | 1 | | |
| 43049B | 43049-0042 | PACKING,6X1 | 1 | | |
| 43049C | 43049-0043 | PACKING | 2 | | |
| 43049D | 43049-0047 | PACKING,8X1 | 1 | | |
| 49054 | 49054-0008 | THERMOSTAT | 1 | | |
| 49079 | 49079-0027 | PULLEY-BELT | 1 | | |
| 49301 | 49301-0002 | PUMP-ASSY-WATER | 1 | | |
| 59011 | 59011-0045 | BELT,A35 | 1 | | |
| 59041 | 59041-0015 | FAN,COOLING | 1 | | |
| 92026 | 92026-0820 | SPACER | 1 | | |
| 92055 | 92055-0858 | RING-O | 1 | | |
| 92066 | 92066-0853 | PLUG,DRAIN | 1 | | |

| Callout | Part Number | Description | Qty | Remarks | |
|---------|-------------|-------------------|-----|---------|--|
| 92066A | 92066-0854 | PLUG | 1 | | |
| 92152 | 92152-0181 | COLLAR | 1 | | |
| 92152A | 92152-0613 | COLLAR | 1 | | |
| 92154 | 92154-1999 | BOLT,FLANGED,8X12 | 1 | | |
| 92154A | 92154-2000 | BOLT,FLANGED,8X45 | 3 | | |
| 92154B | 92154-2067 | BOLT,FLANGED,6X30 | 4 | | |
| 92154C | 92154-2068 | BOLT,FLANGED,6X10 | 1 | | |
| 92154D | 92154-2070 | BOLT,FLANGED,8X65 | 1 | | |
| 92154E | 92154-2110 | BOLT,FLANGED,8X28 | 1 | | |
| 92172 | 92172-0987 | SCREW,6X12 | 5 | | |
| 92210 | 92210-0555 | NUT,FLANGED,8MM | 1 | | |