



[Print](#)



Image / Parts Listing



Image



Parts Listing

SIDE X SIDE | KAF1000AHF (MULE PRO-DXT) | ACCESSORY

F2910

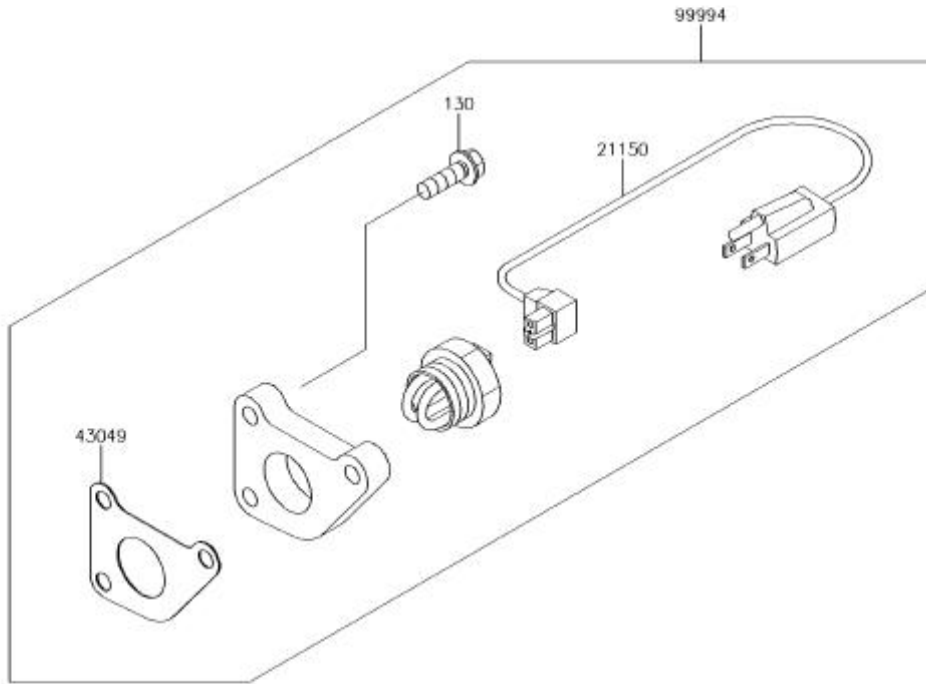




Illustration ©1966-2017 Kawasaki Motors Corp., U.S.A. All rights reserved.

SIDE X SIDE | KAF1000AHF (MULE PRO-DXT) | ACCESSORY

	REF NUMBER	PART NUMBER	DESCRIPTION	QUANTITY	US	CA	CN	REMARKS
	130	130BA0825	BOLT-FLANGED,8X25	3				
	21150	21150-0015	CORD-ASSY	1				
	43049	43049-0034	PACKING	1				
	99994	99994-0741	KIT-ACCESSORY,BLOCK HEATER	1				

 [Print](#) Image / Parts Listing Image Parts Listing

SIDE X SIDE | KAF1000AHF (MULE PRO-DXT) | AIR CLEANER

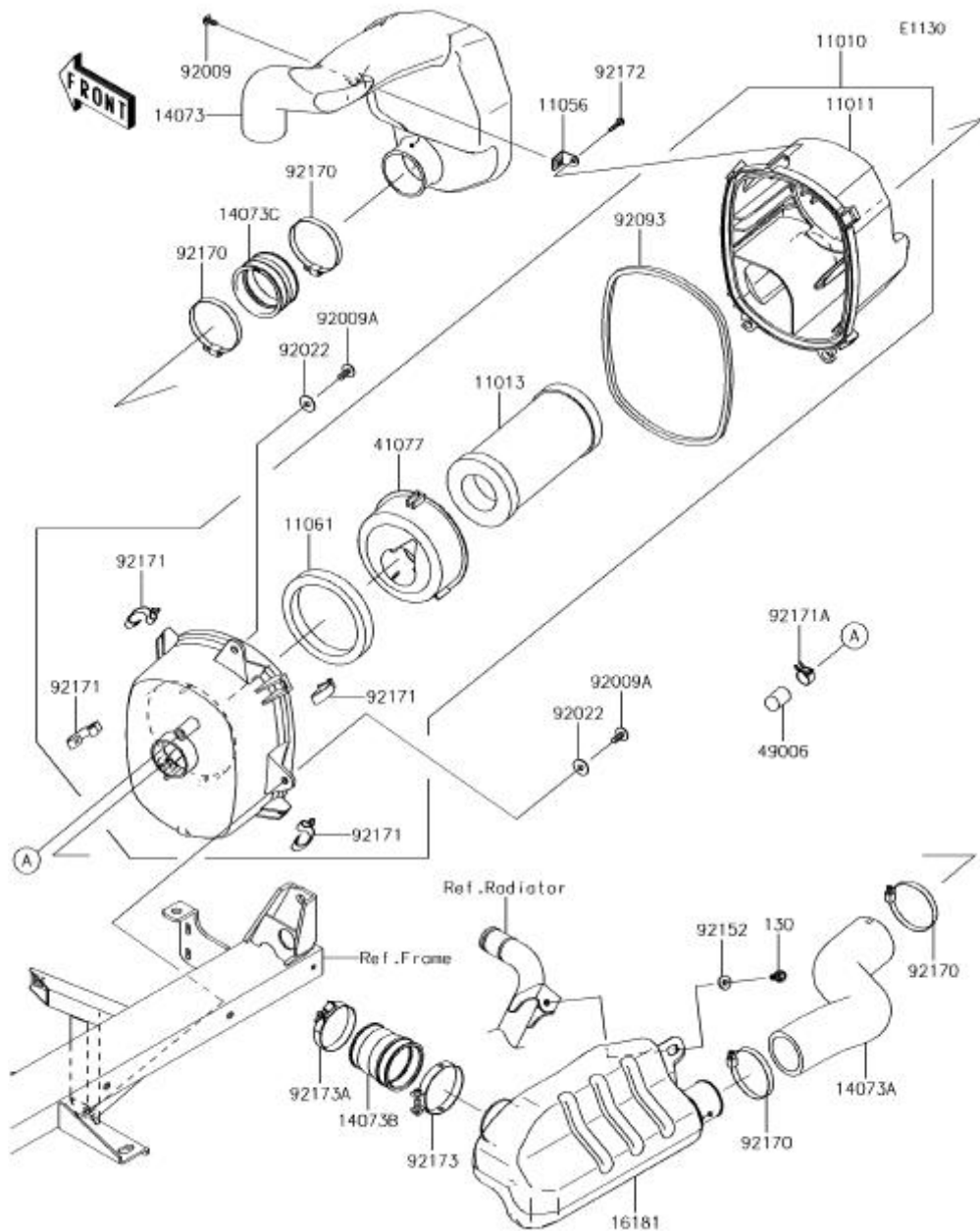


Illustration ©1966-2017 Kawasaki Motors Corp., U.S.A. All rights reserved.

SIDE X SIDE | KAF1000AHF (MULE PRO-DXT) | AIR CLEANER

	REF NUMBER	PART NUMBER	DESCRIPTION	QUANTITY	US	CA	CN	REMARKS
S	11010	11010-0808	FILTER-ASSY-AIR	1				
	11011	11011-0813	CASE-AIR FILTER,UPP	1				
	11013	11013-1290	ELEMENT-AIR FILTER	1				
	11056	11056-3734	BRACKET,AIR FILTER	1				
	11061	11061-0961	GASKET,ADAPTER	1				
S	130	130BA0614	BOLT-FLANGED,6X14	1				
	14073	14073-0815	DUCT,INTAKE	1				
	14073A	14073-0816	DUCT,AIR CLEANER- RESONATOR	1				
	14073B	14073-0817	DUCT,FUNNEL	1				
	14073C	14073-1775	DUCT,JOINT	1				
S	16181	16181-0018	TANK-RESONATOR	1				
	41077	41077-0719	ADAPTER,ELEMENT	1				
	49006	49006-0555	BOOT	1				
	92009	92009-1154	SCREW,5X12	1				
S	92009A	92009-1621	SCREW,6X16	2				
	92022	92022-165	WASHER,PLAIN,6MM	2				
	92093	92093-0607	SEAL,AIR FILTER	1				
	92152	92152-0445	COLLAR,6.5X10X5.6	1				
	92170	92170-1764	CLAMP	4				
	92171	92171-0225	CLAMP	4				
	92171A	92171-0533	CLAMP	1				
S	92172	92172-0009	SCREW,TAPPING,5X20	1				
	92173	92173-1536	CLAMP	1				
	92173A	92173-1537	CLAMP	1				

SIDE X SIDE | KAF1000AHF (MULE PRO-DXT) | AIR CLEANER-BELT CONVERTER

	REF NUMBER	PART NUMBER	DESCRIPTION	QUANTITY	US	CA	CN	REMARKS
	14043	14043-0013	FILTER	1				
	14073	14073-0788	DUCT,EXHAUST	1				
	14073A	14073-0789	DUCT,INTAKE	1				
	14073B	14073-0790	DUCT,INTAKE	1				
	14073C	14073-0793	DUCT,EXHAUST	1				
	92009	92009-1441	SCREW,6X22	2				
	92022	92022-165	WASHER,PLAIN,6MM	2				
	92171	92171-1383	CLAMP	4				
	92171A	92171-3716	CLAMP	1				



[Print](#)



Image / Parts Listing



Image



Parts Listing

SIDE X SIDE | KAF1000AHF (MULE PRO-DXT) | BRAKE PEDAL/THROTTLE LEVER(AHF)

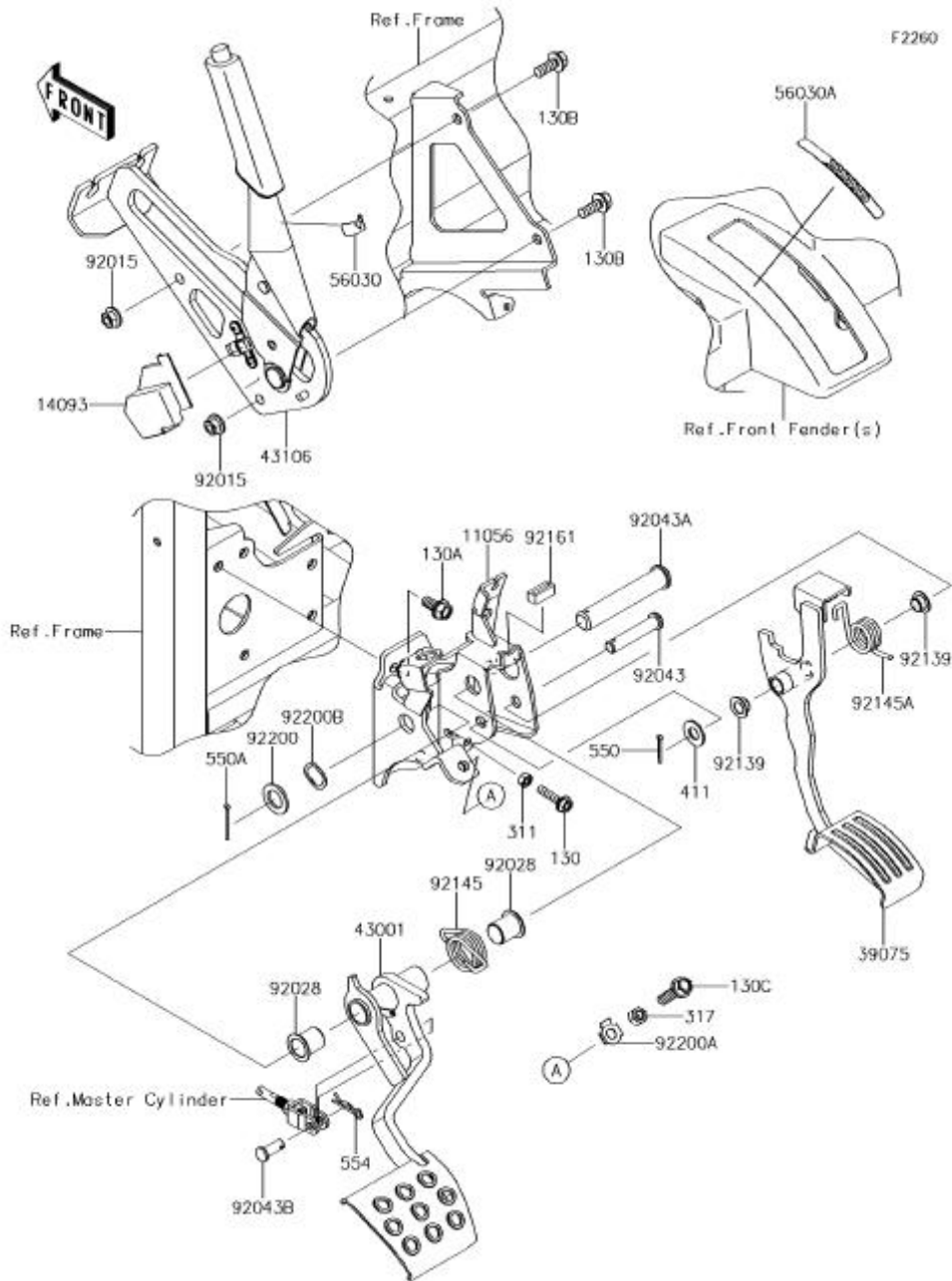


Illustration ©1966-2017 Kawasaki Motors Corp., U.S.A. All rights reserved.

SIDE X SIDE | KAF1000AHF (MULE PRO-DXT) | BRAKE PEDAL/THROTTLE LEVER(AHF)

	REF NUMBER	PART NUMBER	DESCRIPTION	QUANTITY	US	CA	CN	REMARKS
	11056	11056-2834	BRACKET,BRAKE	1				
S	130	130BA0625	BOLT-FLANGED,6X25	1				
	130A	130BA0818	BOLT-FLANGED,8X18	5				
S	130B	130BA0820	BOLT-FLANGED,8X20	2				
S	130C	130BA0830	BOLT-FLANGED,8X30	1				
	14093	14093-0241	COVER,PARKING BRAKE SW.	1				
S	311	311BA0600	NUT-HEX,6MM	1				
S	317	317BA0800	NUT-HEX-SMALL,8MM	1				
	39075	39075-0020	LEVER-THROTTLE	1				
S	411	411AA1000	WASHER-PLAIN,10MM	1				
	43001	43001-0728	LEVER-BRAKE,FOOT	1				
	43106	43106-0006	LEVER-ASSY-PARKING BRAKE	1				
S	550	550AA2518	PIN-COTTER,2.5X18	1				
S	550A	550AA2525	PIN-COTTER,2.5X25	1				
S	554	554DA1000	PIN-SNAP,10MM	1				
	56030	56030-0905	LABEL,ARROW	1				
	56030A	56030-0930	LABEL,STROKE RANGE	1				
	92015	92015-1406	NUT,FLANGED,8MM	2				
	92028	92028-1571	BUSHING	2				
	92043	92043-0785	PIN,10X51.5	1				
	92043A	92043-0786	PIN,16X88	1				
	92043B	92043-1039	PIN	1				
	92139	92139-0230	BUSHING	2				
	92145	92145-1615	SPRING,BRAKE PEDAL RETURN	1				
	92145A	92145-1697	SPRING,RETURN,3X22	1				
	92161	92161-1695	DAMPER	1				
	92200	92200-0043	WASHER,16X26X2.3	1				
	92200A	92200-0993	WASHER,8.5X17X0.8	1				
	92200B	92200-1689	WASHER,17X23X2.5	1				

SIDE X SIDE | KAF1000AHF (MULE PRO-DXT) | CABLES

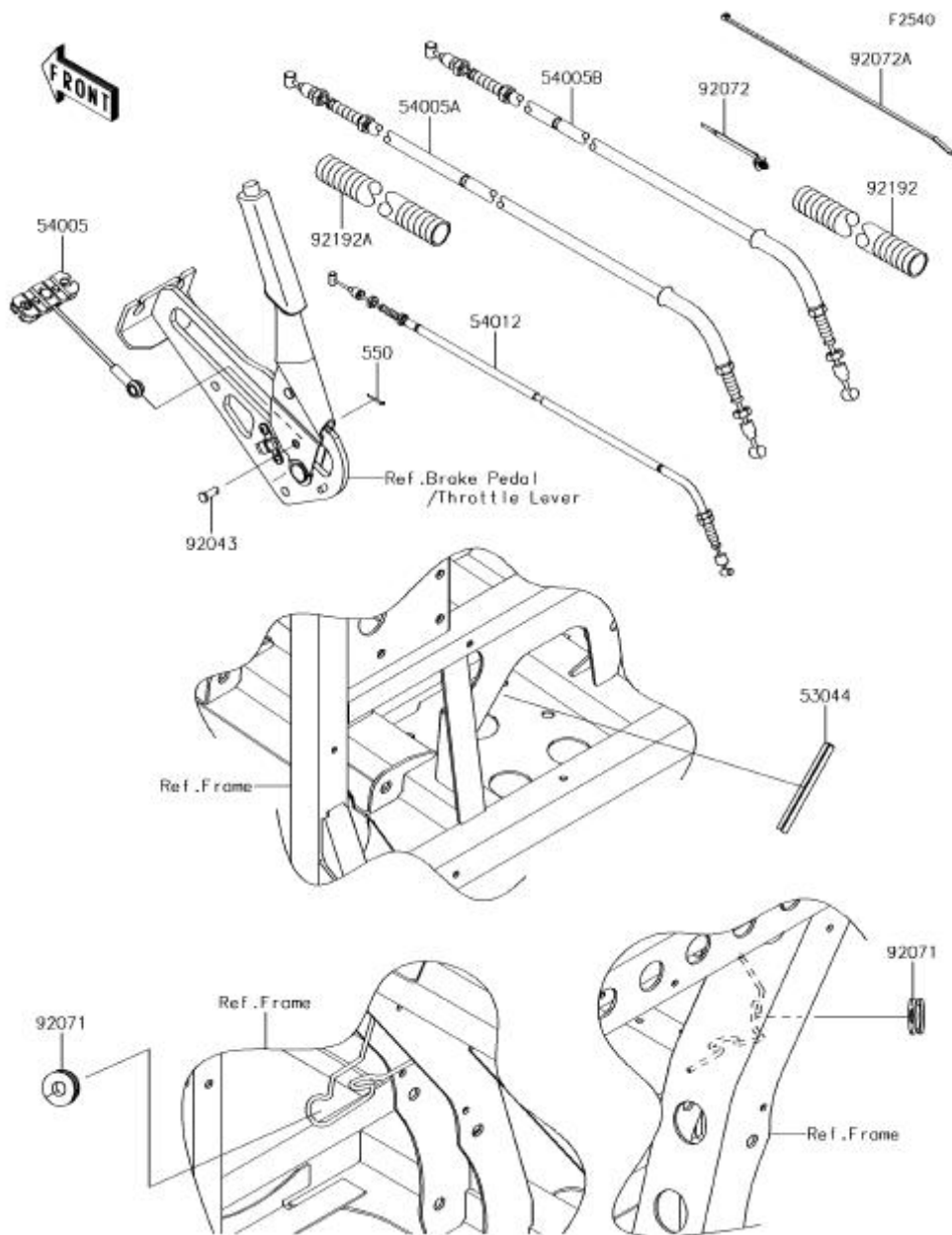


Illustration ©1966-2017 Kawasaki Motors Corp., U.S.A. All rights reserved.

SIDE X SIDE | KAF1000AHF (MULE PRO-DXT) | CABLES

	REF NUMBER	PART NUMBER	DESCRIPTION	QUANTITY	US	CA	CN	REMARKS
	53044	53044-7502	TRIM,L=111	1				
S	54005	54005-0035	CABLE-BRAKE,PARKING,FR	1				
	54005A	54005-0039	CABLE-BRAKE,PARKING,LH	1				
	54005B	54005-0040	CABLE-BRAKE,PARKING,RH	1				
	54012	54012-0633	CABLE-THROTTLE	1				
S	550	550AA2518	PIN-COTTER,2.5X18	1				
	92043	92043-1039	PIN	1				
	92071	92071-0029	GROMMET	2				
S	92072	92072-1414	BAND,OS170-FT7(BLACK)	9				
S	92072A	92072-3509	BAND,L=292.1	7				
	92192	92192-1363	TUBE,CONVOLUTED,25.1X30X260	1				
	92192A	92192-1391	TUBE,CONVOLUTED,25.1X30X210	1				

SIDE X SIDE | KAF1000AHF (MULE PRO-DXT) | CARRIER(S)

	REF NUMBER	PART NUMBER	DESCRIPTION	QUANTITY	US	CA	CN	REMARKS
	11056	11056-2848	BRACKET,STOPPER	2				
	11056A	11056-4273	BRACKET,SUPPORT	1				
	11065	11065-0848	CAP	16				
	11065A	11065-7504	CAP	1				
	13272	13272-1597	PLATE	4				
S	14037	14037-0771	SCREEN	1				
	14092	14092-1179-6Z	COVER,SIDE PANEL,RR,LH,F.BLACK	1				
	14092A	14092-1180-6Z	COVER,SIDE PANEL,RR,RH,F.BLACK	1				
	14092B	14092-1181	COVER,SIDE PANEL,L&R	4				
S	14093	14093-0301	COVER,SCREEN	1				
	16073	16073-0813	INSULATOR,265X335	2				
	16073A	16073-0816	INSULATOR,295X705	1				
	16073B	16073-0835	INSULATOR,335X705	1				
	16073C	16073-0836	INSULATOR,115X705	1				
	27012	27012-0787	HOOK,SCREEN	2				
	31064	31064-0634	PIPE-COMP,RR,LH	1				
	31064A	31064-0635	PIPE-COMP,RR,RH	1				
	31064B	31064-0638	PIPE-COMP,MIDDLE,LH	1				
	31064C	31064-0639	PIPE-COMP,MIDDLE,RH	1				
	31064D	31064-0640	PIPE-COMP,FR,LH	1				
	31064E	31064-0641	PIPE-COMP,FR,RH	1				
	32155	32155-1533	PIPE	1				
S	39137	39137-0661	STAY-COMP	2				
	46102	46102-0606	ROD	1				
	49048	49048-0005	SHOE,SCREEN	2				
	53009	53009-0031	HINGE	6				
	53029A	53029-0351	CARRIER,BASE	1				
	53045	53045-0025	HOOK-ASSY,MAIN LOCK	2				
S	53045A	53045-0026	HOOK-ASSY,MAIN CLAMP	2				
S	53045B	53045-0029	HOOK-ASSY	2				
S	53062	53062-0022	GATE-TAIL	1				
	92004	92004-0733	STUD	2				
	92022	92022-1533	WASHER,8.2X19X2	2				
	92022A	92022-1618	WASHER,23X32X2.3	2				
	92039	92039-3763	RIVET,3.2X8	4				
	92043	92043-0716	PIN,12.4X72.4	2				
	92071	92071-0763	GROMMET,7.5X14X11	1				
	92093	92093-0679	SEAL,20X720X10	1				
S	130	130BA0614	BOLT-FLANGED,6X14	4				

S	130A	130BA0812	BOLT-FLANGED,8X12	8				
S	130B	130BA0820	BOLT-FLANGED,8X20	8				
S	130C	130CA0616	BOLT-FLANGED,6X16	4				
S	220	220AB0610	SCREW-PAN-CROS,6X10	4				
	482	482EA0100	CIRCLIP-TYPE-E,10MM	2				
S	550	550AA3030	PIN-COTTER,3.0X30	2				
S	554	554DA1200	PIN-SNAP,12MM	2				
	92152	92152-1799	COLLAR,6.8X10X9.3	4				
	92152A	92152-2128	COLLAR	2				
	92154	92154-0974	BOLT,FLANGED,5X4.5	2				
	92154A	92154-1356	BOLT,FLANGED,6X22	4				
	92161	92161-0590	DAMPER	2				
	92161A	92161-1615	DAMPER	1				
	92161B	92161-1634	DAMPER,12.5X20X24	2				
	92161C	92161-1656	DAMPER	2				
	92161D	92161-1708	DAMPER,17X6	2				
	92161E	92161-1775	DAMPER,10X40X10	2				
	92161F	92161-1920	DAMPER,10X34X10	4				
S	92172	92172-0284	SCREW,6X16	16				
	92172A	92172-0711	SCREW,6X16	11				
	92172B	92172-0739	SCREW,TAPPING,6X16	48				
	92173	92173-1213	CLAMP,FUEL PIPE	1				
	92200	92200-1543	WASHER,6.5X16X2.0	4				
	92200A	92200-1769	WASHER,6.5X16X0.5	2				

SIDE X SIDE | KAF1000AHF (MULE PRO-DXT) | CHASSIS ELECTRICAL EQUIPMENT

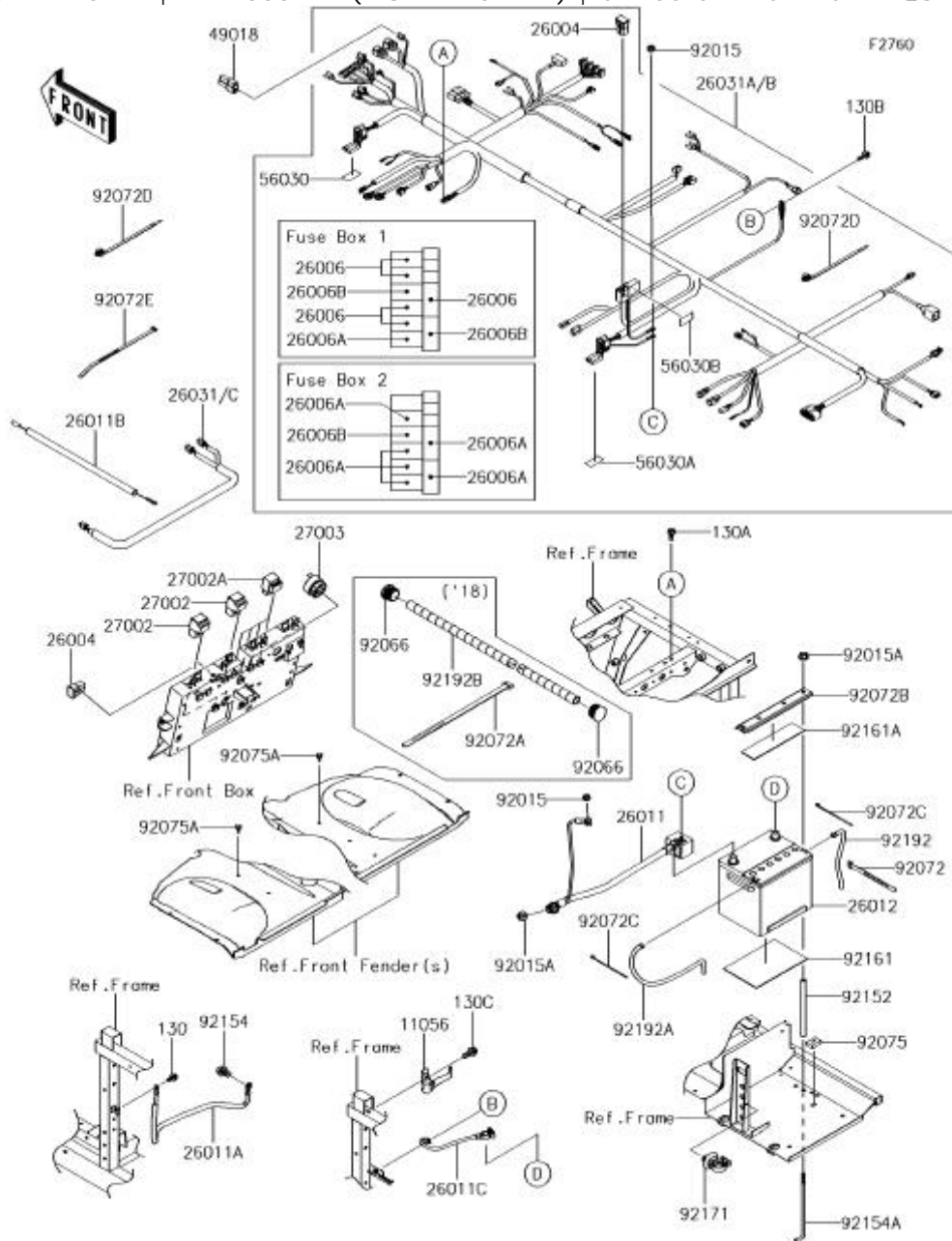



Illustration ©1966-2017 Kawasaki Motors Corp., U.S.A. All rights reserved.

SIDE X SIDE | KAF1000AHF (MULE PRO-DXT) | CHASSIS ELECTRICAL EQUIPMENT

	REF NUMBER	PART NUMBER	DESCRIPTION	QUANTITY	US	CA	CN	REMARKS
	11056	11056-7478	BRACKET,FUSE	1				
	26004	26004-0024	FUSE-ASSY,60A	2				
S	26006	26006-0009	FUSE,MINI BLADE,10A,RED	5				
	26006A	26006-1080	FUSE,MINI BLADE,30A,GREEN	7				
	26006B	26006-3704	FUSE,MINI BLADE,20A,YELLOW	3				
	26011	26011-0904	WIRE-LEAD,BATTERY(+)	1				
	26011A	26011-0905	WIRE-LEAD,ENGINE GND	1				
	26011B	26011-0906	WIRE-LEAD,OIL PRESSURE SW.	1				
	26011C	26011-0912	WIRE-LEAD,BATTERY(-)	1				
S	26012	26012-7501	BATTERY,WET,(26R)	1				
	26031	26031-1647	HARNESS,SUB	1				
	26031A	26031-1883	HARNESS,MAIN	1				
	27002	27002-0012	RELAY-ASSY	3				
	27002A	27002-1062	RELAY-ASSY	4				
	27003	27003-0116	HORN,PARKING BUZZER	1				
	49018	49018-0006	DIODE	1				
	56030	56030-0917	LABEL,FUSE BOX1	1				
	56030A	56030-0919	LABEL,FUSE BOX2	1				
	56030B	56030-0920	LABEL,FUSE BOX3	1				
S	92015	92015-1367	NUT,FLANGED,6MM	2				
	92015A	92015-1406	NUT,FLANGED,8MM	2				
	92072	92072-030	BAND,L=123	1				
	92072B	92072-0767	BAND	1				
	92072C	92072-0791	BAND,92X2.4	2				
S	92072D	92072-1414	BAND,OS170-FT7(BLACK)	32				
S	92072E	92072-3509	BAND,L=292.1	18				
	92075	92075-099	DAMPER	1				
	92075A	92075-1808	DAMPER,6X10X15	2				
	92152	92152-1852	COLLAR,9.4X12.7X190.8	1				
	92154	92154-1383	BOLT,FLANGED,10X14	1				
	92154A	92154-1650	BOLT,BATTERY	1				
	92161	92161-0578	DAMPER	1				
	92161A	92161-1753	DAMPER	1				
	92171	92171-0453	CLAMP	1				
	92192	92192-1646	TUBE,BREATHER,7X10X240	1				
	92192A	92192-1694	TUBE,BREATHER,7X10X450	1				
S	130	130BA0612	BOLT-FLANGED,6X12	1				
S	130A	130BA0616	BOLT-FLANGED,6X16	1				
S	130B	130BA0618	BOLT-FLANGED,6X18	1				

	130C	130BA0820	BOLT-FLANGED,8X20	1				
---	------	-----------	-------------------	---	--	--	--	--

SIDE X SIDE | KAF1000AHF (MULE PRO-DXT) | CONTROL

E7110

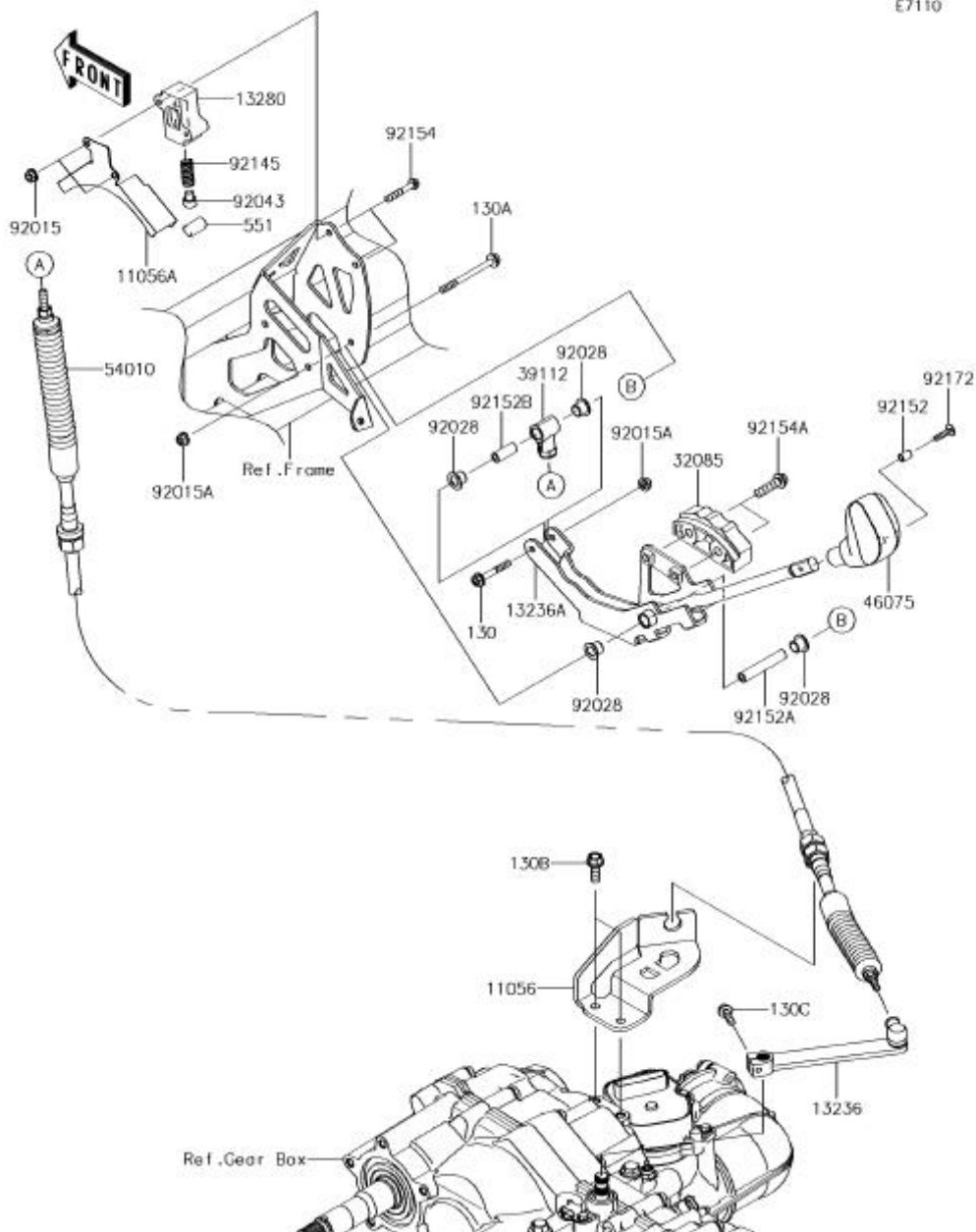


Illustration ©1966-2017 Kawasaki Motors Corp., U.S.A. All rights reserved.

SIDE X SIDE | KAF1000AHF (MULE PRO-DXT) | CONTROL

	REF NUMBER	PART NUMBER	DESCRIPTION	QUANTITY	US	CA	CN	REMARKS
	11056	11056-2946	BRACKET,T/M SIDE	1				
	11056A	11056-7274	BRACKET,DUST COVER	1				
S	130	130BA0640	BOLT-FLANGED,6X40	1				
S	130A	130BA0670	BOLT-FLANGED,6X70	1				
	130B	130BA0822	BOLT-FLANGED,8X22	2				
S	130C	130CD0620	BOLT-FLANGED,6X20	1				
	13236	13236-0747	LEVER-COMP,T/M SIDE	1				
	13236A	13236-0748	LEVER-COMP,SHIFT	1				
	13280	13280-0776	HOLDER	1				
	32085	32085-0748	STOPPER	1				
	39112	39112-0020	RODEND-TIE	1				
	46075	46075-0569	GRIP	1				
	54010	54010-0601	CABLE,SHIFT	1				
	551	551R1220	PIN-DOWEL,12X20	1				
S	92015	92015-1367	NUT,FLANGED,6MM	2				
	92015A	92015-1675	NUT,LOCK,FLANGED,6MM	2				
	92028	92028-1507	BUSHING	4				
	92043	92043-0790	PIN	1				
	92145	92145-1578	SPRING	1				
	92152	92152-1545	COLLAR,5.6X8X10.5	1				
	92152A	92152-1823	COLLAR,6X10X56.5	1				
	92152B	92152-1854	COLLAR,6X10X25	1				
	92154	92154-1544	BOLT,FLANGED,6X35	2				
	92154A	92154-1907	BOLT,FLANGED,8X30	2				
	92172	92172-2081	SCREW,5X20	1				

SIDE X SIDE | KAF1000AHF (MULE PRO-DXT) | CONVERTER COVER

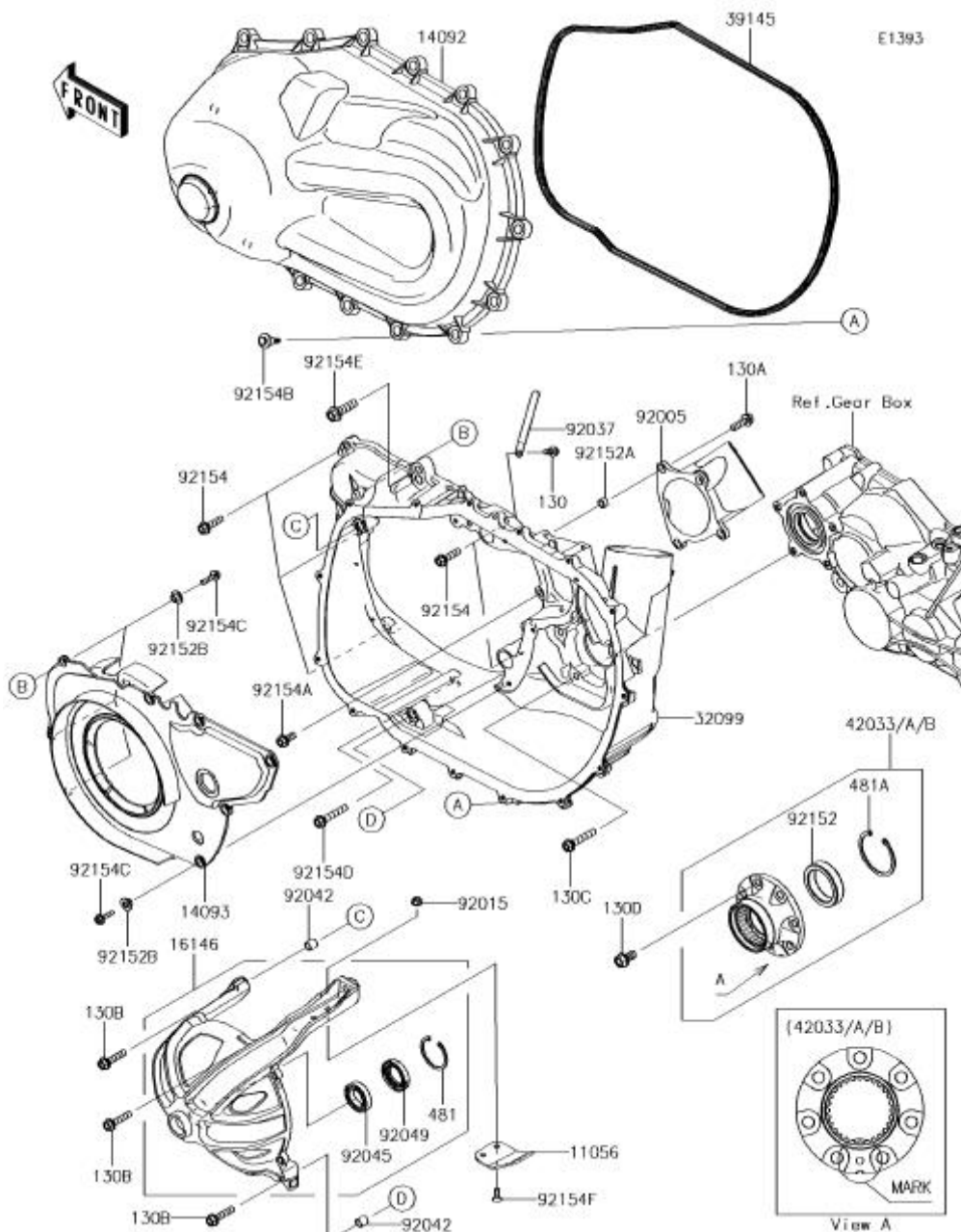


Illustration ©1966-2017 Kawasaki Motors Corp., U.S.A. All rights reserved.

SIDE X SIDE | KAF1000AHF (MULE PRO-DXT) | CONVERTER COVER

	REF NUMBER	PART NUMBER	DESCRIPTION	QUANTITY	US	CA	CN	REMARKS
	11056	11056-7883	BRACKET,CVT BELT GUIDE	1				
S	130	130BA0614	BOLT-FLANGED,6X14	1				
S	130A	130BA0825	BOLT-FLANGED,8X25	4				
S	130B	130BA0835	BOLT-FLANGED,8X35	3				
S	130C	130BA0845	BOLT-FLANGED,8X45	5				
	130D	130CA1018	BOLT-FLANGED,10X18	7				
	14092	14092-1202	COVER,CVT	1				
	14093	14093-0302	COVER	1				
	16146	16146-0791	COVER-ASSY	1				
	32099	32099-0771	CASE,CVT	1				
	39145	39145-0047	TRIM-SEAL	1				
	42033	42033-0582	COUPLING-ASSY,B MARK,WHITE	1				
	42033A	42033-0583	COUPLING-ASSY,A MARK,BLUE	1				
	42033B	42033-0584	COUPLING-ASSY,C MARK,YELLOW	1				
	481	481J4500	CIRCLIP-TYPE-C,45MM	1				
	481A	481J6200	CIRCLIP	1				
	92005	92005-0762	FITTING,INTAKE	1				
	92015	92015-1675	NUT,LOCK,FLANGED,6MM	2				
	92037	92037-1993	CLAMP	1				
	92042	92042-031	PIN,DOWEL,12X14	2				
S	92045	92045-036	BEARING-BALL,#6905	1				
	92049	92049-0767	SEAL-OIL,HTC 28X45X8	1				
	92152	92152-1822	COLLAR	1				
	92152A	92152-1853	COLLAR,8.8X12.3X6.9	4				
	92152B	92152-1931	COLLAR	8				
	92154	92154-0850	BOLT,FLANGED,8X30	5				
	92154A	92154-1386	BOLT,FLANGED,8X18	1				
	92154B	92154-1522	BOLT,CVT COVER	15				
	92154C	92154-1525	BOLT,FLANGED,6X22	8				
	92154D	92154-1526	BOLT,FLANGED,8X45	1				
	92154E	92154-1744	BOLT,FLANGED,10X35	1				
	92154F	92154-2147	BOLT,6X16	2				

SIDE X SIDE | KAF1000AHF (MULE PRO-DXT) | CRANKCASE

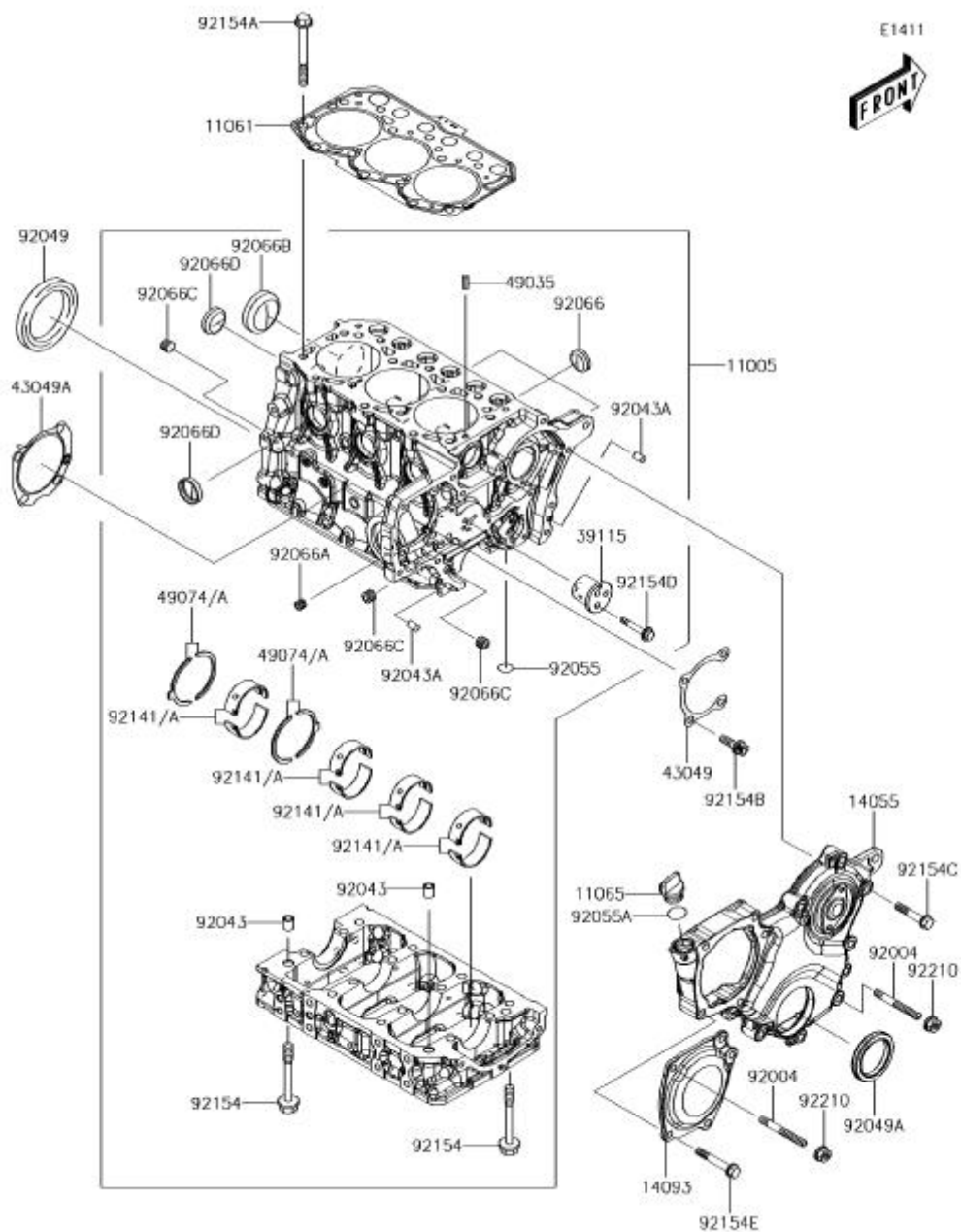


Illustration ©1966-2017 Kawasaki Motors Corp., U.S.A. All rights reserved.

SIDE X SIDE | KAF1000AHF (MULE PRO-DXT) | CRANKCASE

	REF NUMBER	PART NUMBER	DESCRIPTION	QUANTITY	US	CA	CN	REMARKS
	11005	11005-0664	CYLINDER-ENGINE	1				
	11061	11061-1192	GASKET,HEAD	1				
	11065	11065-0936	CAP	1				
	14055	14055-0622	CASE-GEAR	1				
	14093	14093-0439	COVER	1				
	39115	39115-0025	SHAFT-IDLER	1				
	43049	43049-0035	PACKING	1				
	43049A	43049-0036	PACKING	1				
	49035	49035-0016	PIN-SPRING	2				
	49074	49074-0003	PLATE-THRUST	2				
	49074A	49074-0005	PLATE-THRUST,O/S,0.25	AR				
	92004	92004-0744	STUD,8X60	2				
	92043	92043-0883	PIN,KNOCK	2				
	92043A	92043-0884	PIN,6X10	2				
	92049	92049-0787	SEAL-OIL	1				
	92049A	92049-0788	SEAL-OIL	1				
	92055	92055-0854	RING-O	1				
	92055A	92055-0855	RING-O	1				
	92066	92066-0846	PLUG	3				
	92066A	92066-0847	PLUG	1				
	92066B	92066-0849	PLUG	1				
	92066C	92066-0850	PLUG	3				
	92066D	92066-0860	PLUG	4				
	92141	92141-0004	BEARING-PLANE,STD	4				
	92141A	92141-0005	BEARING-PLANE,U/S,0.25	AR				
	92154	92154-1981	BOLT,FLANGED	16				
	92154A	92154-1982	BOLT,FLANGED	14				
	92154B	92154-1983	BOLT,SOCKET	4				
	92154C	92154-1984	BOLT,FLANGED,8X35	7				
	92154D	92154-1995	BOLT,FLANGED,6X40	3				
	92154E	92154-2000	BOLT,FLANGED,8X45	4				
	92210	92210-1473	NUT,8MM	2				

SIDE X SIDE | KAF1000AHF (MULE PRO-DXT) | CRANKSHAFT/PISTON(S)

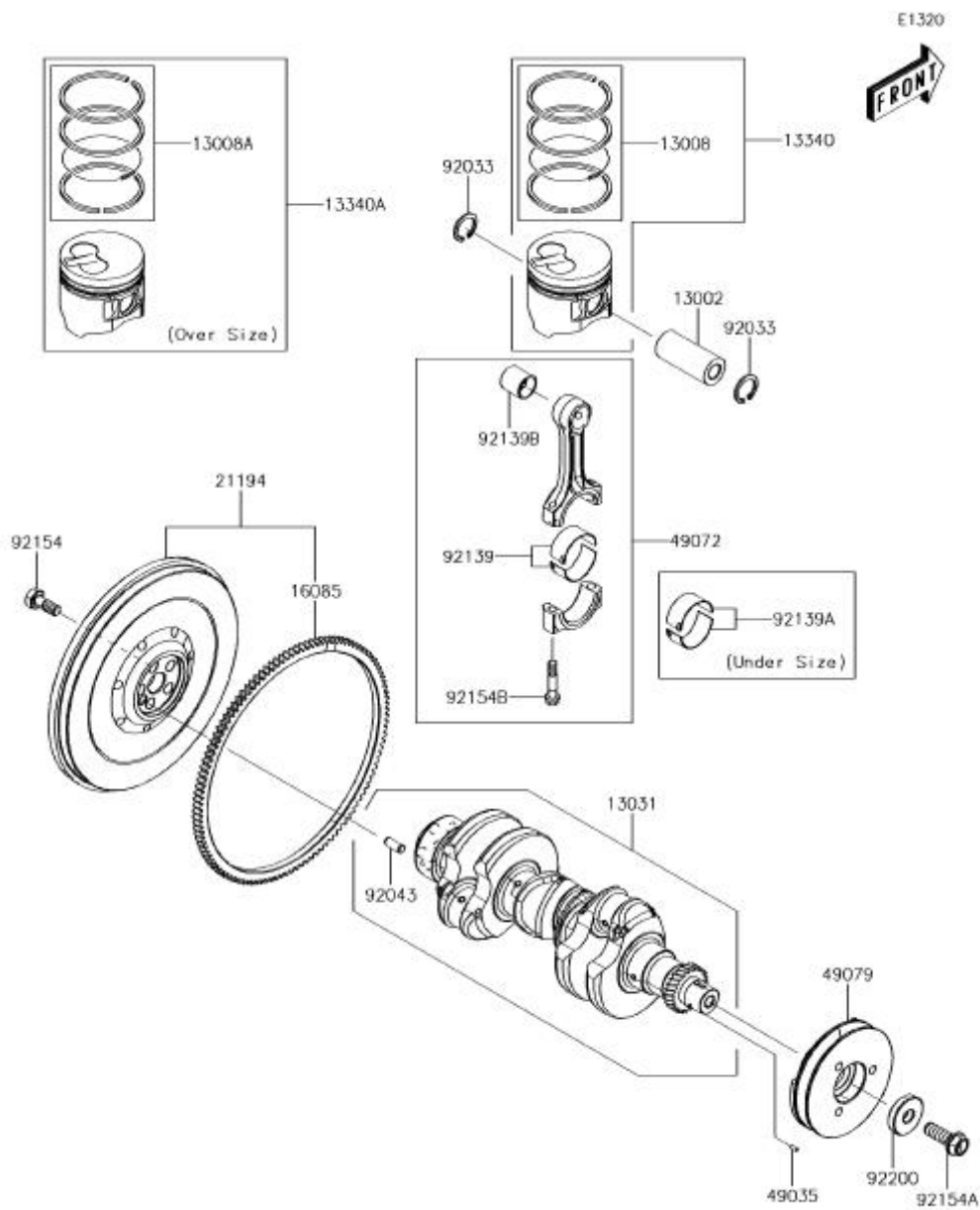


Illustration ©1966-2017 Kawasaki Motors Corp., U.S.A. All rights reserved.

SIDE X SIDE | KAF1000AHF (MULE PRO-DXT) | CRANKSHAFT/PISTON(S)

	REF NUMBER	PART NUMBER	DESCRIPTION	QUANTITY	US	CA	CN	REMARKS
	13002	13002-0047	PIN-PISTON	3				
	13008	13008-0563	RING-SET-PISTON,STD	3				
	13008A	13008-0566	RING-SET-PISTON,O/S,0.25	AR				
	13031	13031-0841	CRANKSHAFT-COMP	1				
	13340	13340-0004	PISTON-ASSY-ENGINE,STD	3				
	13340A	13340-0005	PISTON-ASSY-ENGINE,O/S,0.25	AR				
	16085	16085-0655	GEAR,RING	1				
	21194	21194-0037	FLYWHEEL-COMP	1				
	49035	49035-0017	PIN-SPRING	1				
	49072	49072-0001	ROD-COMP-CONNECTING	3				
	49079	49079-0026	PULLEY-BELT	1				
	92033	92033-0774	RING-SNAP	6				
	92043	92043-0886	PIN,8X16	1				
	92139	92139-0860	BUSHING,STD	3				
	92139A	92139-0864	BUSHING,U/S,0.25	AR				
	92139B	92139-0865	BUSHING,PISTON PIN	3				
	92154	92154-1992	BOLT,FLYWHEEL	5				
	92154A	92154-1993	BOLT,FLANGED	1				
	92154B	92154-1994	BOLT,CONNECTING ROD	6				
	92200	92200-1807	WASHER	1				



[Print](#)



Image / Parts Listing



Image



Parts Listing

SIDE X SIDE | KAF1000AHF (MULE PRO-DXT) | CYLINDER HEAD COVER

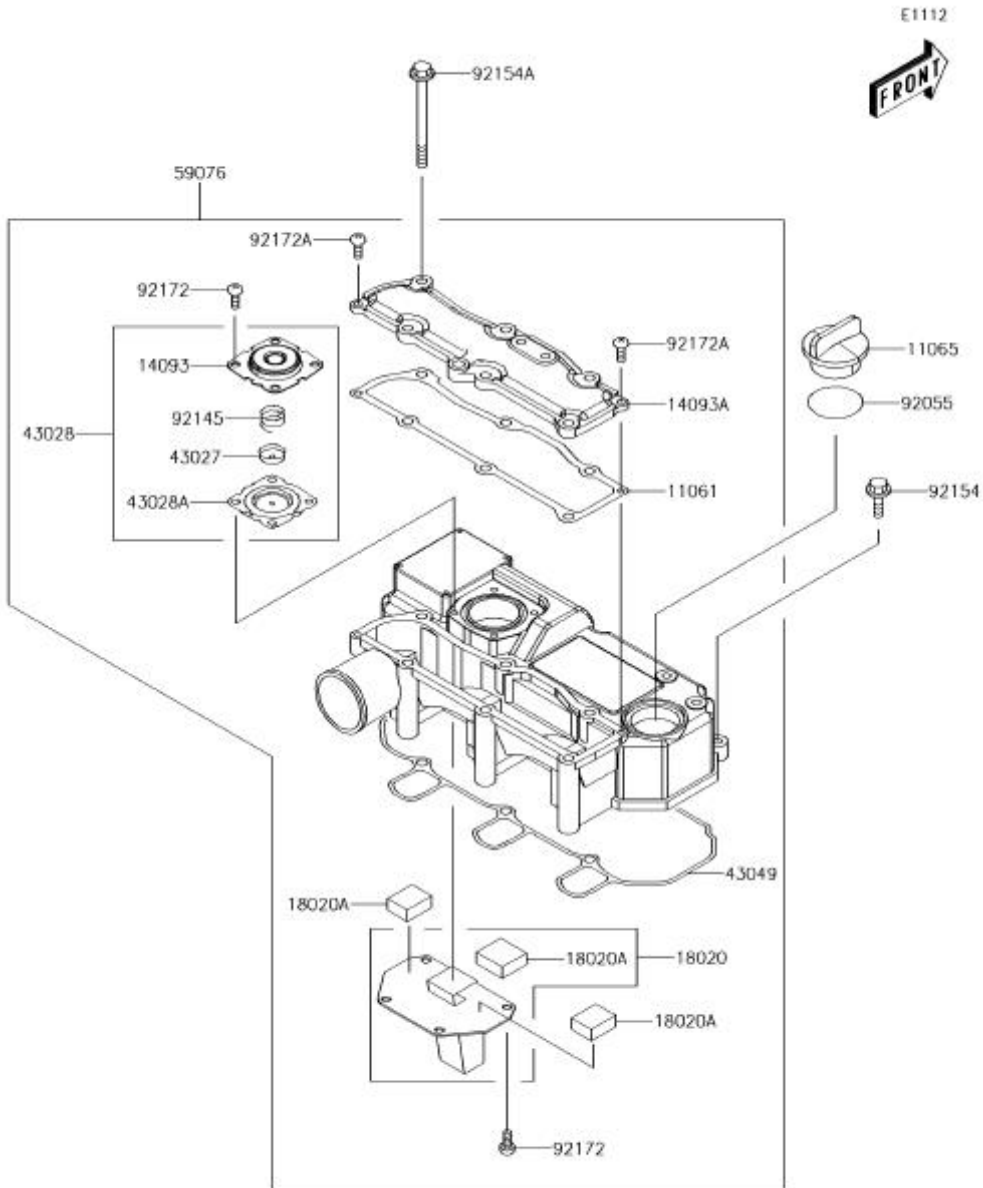


Illustration ©1966-2017 Kawasaki Motors Corp., U.S.A. All rights reserved.

SIDE X SIDE | KAF1000AHF (MULE PRO-DXT) | CYLINDER HEAD COVER

	REF NUMBER	PART NUMBER	DESCRIPTION	QUANTITY	US	CA	CN	REMARKS
	11061	11061-1193	GASKET,INTAKE MANIFOLD COVER	1				
	11065	11065-0943	CAP,FILLER	1				
	14093	14093-0442	COVER,DIAPHRAGM	1				
	14093A	14093-0444	COVER,INTAKE MANIFOLD	1				
	18020	18020-0723	BAFFLE,PLATE	1				
	18020A	18020-0724	BAFFLE,BREATHER	3				
	43027	43027-0009	PLATE-DIAPHRAGM	1				
	43028	43028-0019	DIAPHRAGM,ASSY	1				
	43028A	43028-0020	DIAPHRAGM	1				
	43049	43049-0038	PACKING,INTAKE MANIFOLD	1				
	59076	59076-0014	MANIFOLD-INTAKE	1				
	92055	92055-0856	RING-O	1				
	92145	92145-1712	SPRING	1				
	92154	92154-1988	BOLT,FLANGED,6X20	3				
	92154A	92154-1989	BOLT,FLANGED,6X75	6				
	92172	92172-0985	SCREW,5X10	8				
	92172A	92172-0986	SCREW,5X16	2				

SIDE X SIDE | KAF1000AHF (MULE PRO-DXT) | CYLINDER HEAD

	REF NUMBER	PART NUMBER	DESCRIPTION	QUANTITY	US	CA	CN	REMARKS
	11008	11008-0875	HEAD-COMP-CYLINDER	1				
S	11057	11057-1247	BRACKET,FRAME	1				
	11065	11065-0942	CAP,NOZZLE	3				
	12004	12004-0739	VALVE-INTAKE	3				
	12005	12005-0759	VALVE-EXHAUST	3				
	12009	12009-0029	RETAINER-VALVE SPRING	6				
	12011	12011-0004	COLLET	12				
	12016	12016-0044	ARM-ROCKER	1				
	12016A	12016-0045	ARM-ROCKER	6				
	12020	12020-0018	SHAFT-ROCKER	1				
	13159	13159-0019	CONNECTOR,PLUG- GLOW	1				
	14093	14093-0440	COVER,VALVE	6				
	27012	27012-0819	HOOK	1				
	43049	43049-0037	PACKING,NOZZLE	6				
	43094	43094-0006	ADJUSTER,VALVE	6				
	49002	49002-0032	GUIDE-VALVE	6				
	49027	49027-0001	HOLDER-ROCKER	3				
	49036	49036-0002	PLUG-GLOW	3				
	49078	49078-0731	SPRING-ENGINE VALVE	6				
	92033	92033-0773	RING-SNAP	2				
	92049	92049-0789	SEAL-OIL,INTAKE	3				
	92049A	92049-0790	SEAL-OIL,EXHAUST	3				
	92066	92066-0847	PLUG	1				
	92066A	92066-0852	PLUG	2				
	92145	92145-1711	SPRING	2				
	92154	92154-1987	BOLT,FLANGED,8X40	3				
	92154A	92154-2071	BOLT,FLANGED,8X16	5				
	92172	92172-0984	SCREW,5X16	1				
	92210	92210-1468	NUT,8MM	6				



[Print](#)



Image / Parts Listing



Image



Parts Listing

SIDE X SIDE | KAF1000AHF (MULE PRO-DXT) | DECALS

F2861

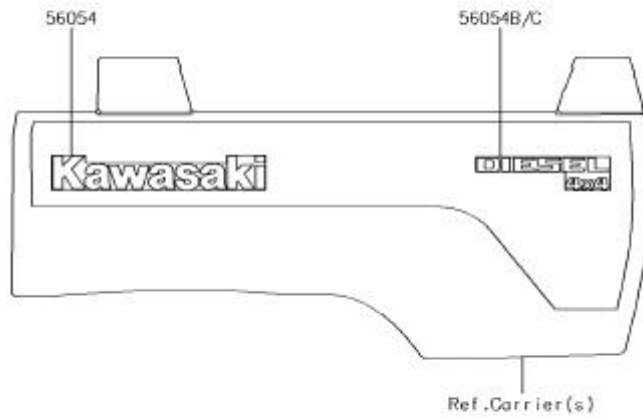
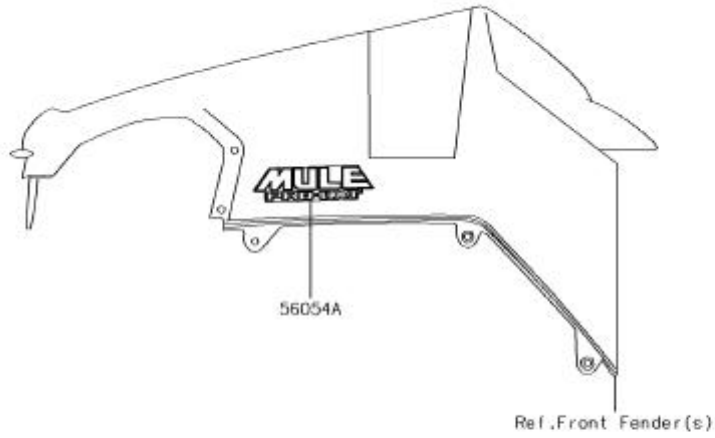


Illustration ©1966-2017 Kawasaki Motors Corp., U.S.A. All rights reserved.

SIDE X SIDE | KAF1000AHF (MULE PRO-DXT) | DECALS

	REF NUMBER	PART NUMBER	DESCRIPTION	QUANTITY	US	CA	CN	REMARKS
	56054	56054-1530	MARK,CARRIER,KAWASAKI	2				
	56054A	56054-1960	MARK,FR FENDER,MULE PRO-DXT	2				
	56054B	56054-1961	MARK,RR CARRIER,LH,DIESEL 4X4	1				
	56054C	56054-1962	MARK,RR CARRIER,RH,DIESEL 4X4	1				



Print



Image / Parts Listing



Image



Parts Listing

SIDE X SIDE | KAF1000AHF (MULE PRO-DXT) | DOOR

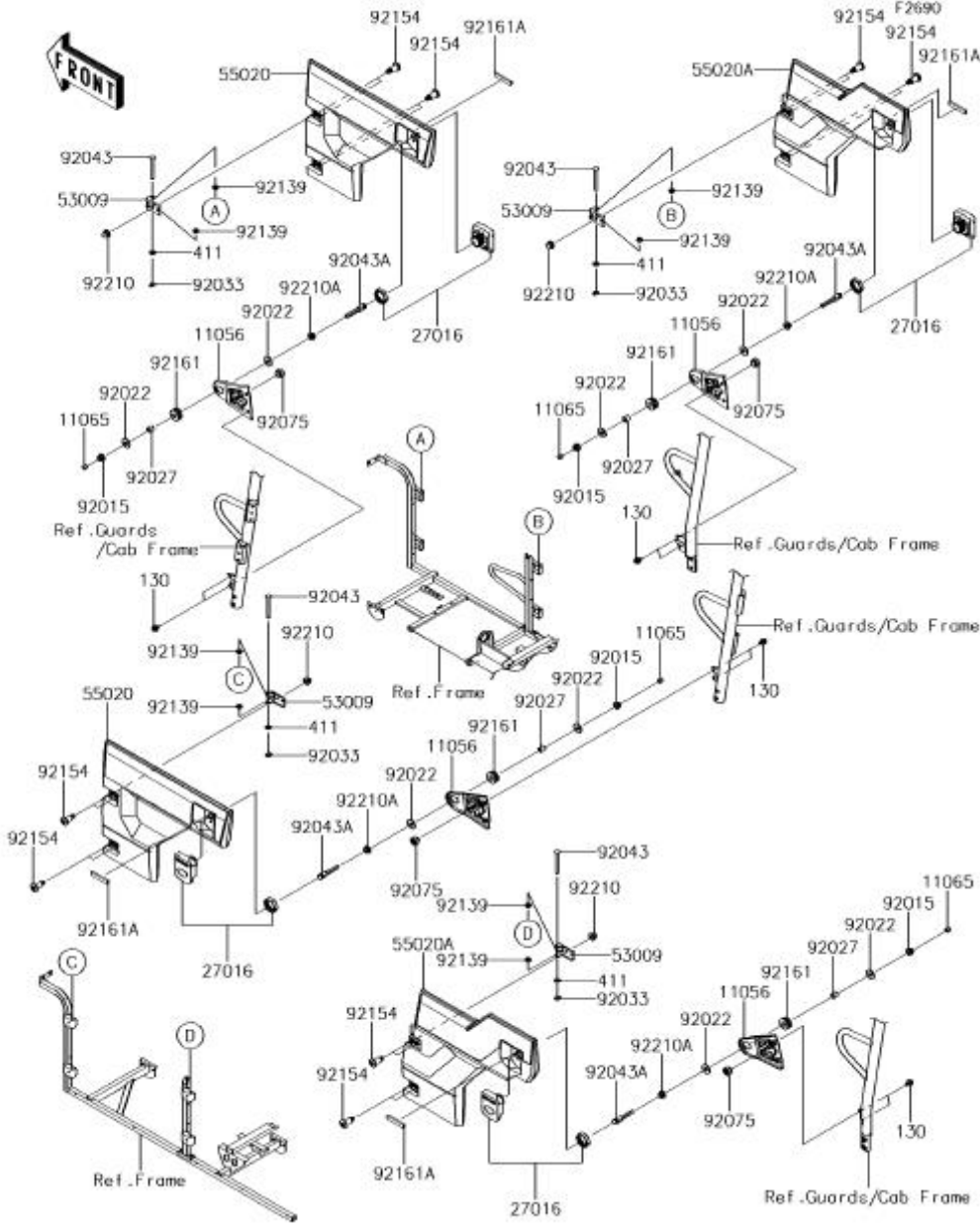


Illustration ©1966-2017 Kawasaki Motors Corp., U.S.A. All rights reserved.

SIDE X SIDE | KAF1000AHF (MULE PRO-DXT) | DOOR

	REF NUMBER	PART NUMBER	DESCRIPTION	QUANTITY	US	CA	CN	REMARKS
	11056	11056-2856	BRACKET,DOOR GUARD	4				
	11065	11065-7504	CAP	4				
S	130	130BA0610	BOLT-FLANGED,6X10	8				
S	27016	27016-0084	LOCK-ASSY	4				
S	411	411AB0600	WASHER-PLAIN,6MM	8				
	53009	53009-0303	HINGE	8				
	55020	55020-0936-6Z	GUARD,FR,F.BLACK	2				
	55020A	55020-0937-6Z	GUARD,RR,F.BLACK	2				
	92015	92015-1432	NUT,8MM	4				
	92022	92022-3026	WASHER,PLAIN	8				
	92027	92027-102	COLLAR,8.8X12X10.7	4				
	92033	92033-0719	RING-SNAP	8				
	92043	92043-0743	PIN,6X56	8				
	92043A	92043-0788	PIN,DOOR LOCK	4				
	92075	92075-1598	DAMPER	4				
	92139	92139-0709	BUSHING,6X8X6	16				
	92154	92154-1369	BOLT,SOCKET,8X30	16				
	92161	92161-1691	DAMPER,10X26X11.5	4				
	92161A	92161-1837	DAMPER,9X52X5	4				
	92210	92210-0488	NUT,CAP,8MM	16				
S	92210A	92210-0555	NUT,FLANGED,8MM	4				

SIDE X SIDE | KAF1000AHF (MULE PRO-DXT) | DRIVE CONVERTER

E1391

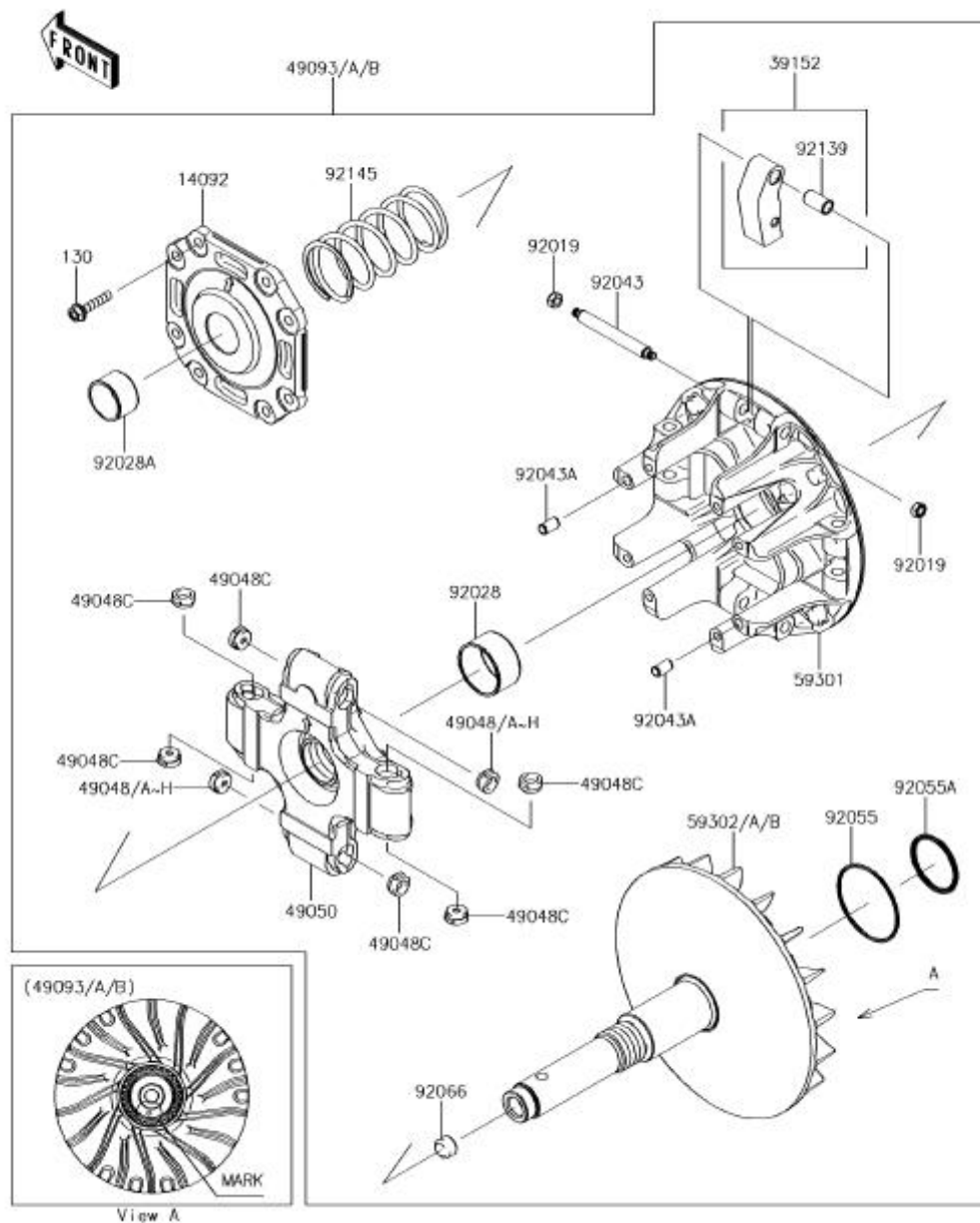


Illustration ©1966-2017 Kawasaki Motors Corp., U.S.A. All rights reserved.

SIDE X SIDE | KAF1000AHF (MULE PRO-DXT) | DRIVE CONVERTER

	REF NUMBER	PART NUMBER	DESCRIPTION	QUANTITY	US	CA	CN	REMARKS
S	130	130CA0630	BOLT-FLANGED,6X30	8				
	14092	14092-1201	COVER	1				
	39152	39152-0043	WEIGHT-RAMP	4				
S	49048	49048-1087	SHOE,T=7.2	AR				
S	49048A	49048-1088	SHOE,T=7.3	AR				
S	49048B	49048-1089	SHOE,T=7.4	AR				
S	49048C	49048-1090	SHOE,T=7.5	8				
S	49048D	49048-1091	SHOE,T=7.6	AR				
S	49048E	49048-1092	SHOE,T=7.7	AR				
S	49048F	49048-1093	SHOE,T=7.8	AR				
S	49048G	49048-1094	SHOE,T=7.9	AR				
S	49048H	49048-1095	SHOE,T=8.0	AR				
S	49050	49050-1083	SPIDER	1				
	49093	49093-0050	CONVERTER-DRIVE,B MARK,WHITE	1				
	49093A	49093-0069	CONVERTER-DRIVE,A MARK,BLUE	1				
	49093B	49093-0070	CONVERTER-DRIVE,C MARK,YELLOW	1				
	59301	59301-0025	SHEAVE-MOVABLE	1				
	59302	59302-0092	SHEAVE-COMP,B MARK,WHITE	1				
	59302A	59302-0093	SHEAVE-COMP,A MARK,BLUE	1				
	59302B	59302-0094	SHEAVE-COMP,C MARK,YELLOW	1				
S	92019	92019-008	NUT,LOCK,6MM	8				
	92028	92028-1975	BUSHING	1				
	92028A	92028-1980	BUSHING	1				
S	92043	92043-0809	PIN	4				
S	92043A	92043-1263	PIN,6.2X8X14	2				
	92055	92055-0753	RING-O,59.5X2.4	1				
	92055A	92055-0789	RING-O,3.5X39.7	1				
	92066	92066-0784	PLUG	1				
	92139	92139-1103	BUSHING,9X11X19.75	4				
	92145	92145-1670	SPRING	1				



[Print](#)



Image / Parts Listing



Image



Parts Listing

SIDE X SIDE | KAF1000AHF (MULE PRO-DXT) | DRIVE SHAFT-FRONT

E3136

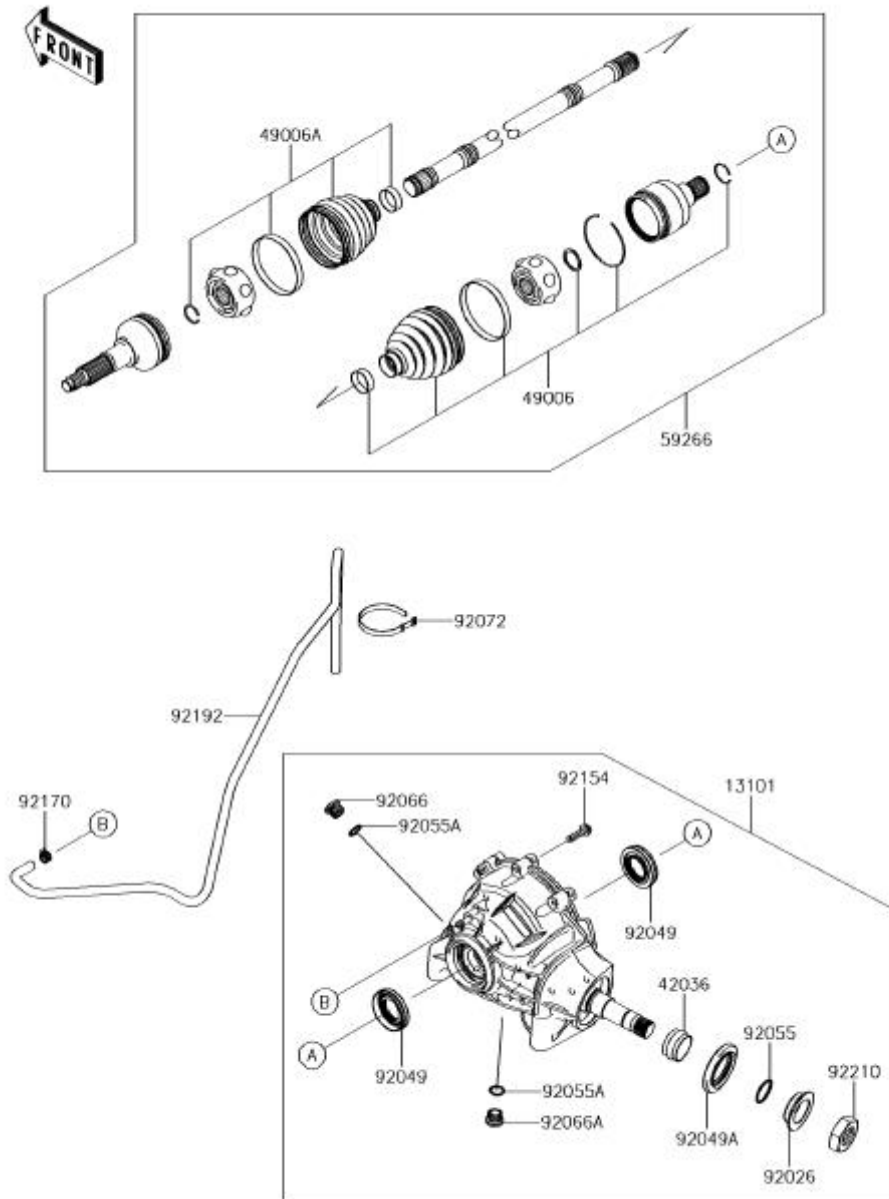


Illustration ©1966-2017 Kawasaki Motors Corp., U.S.A. All rights reserved.

SIDE X SIDE | KAF1000AHF (MULE PRO-DXT) | DRIVE SHAFT-FRONT

	REF NUMBER	PART NUMBER	DESCRIPTION	QUANTITY	US	CA	CN	REMARKS
S	13101	13101-0662	GEAR-ASSY,FRONT DIFFERENTIAL	1				
	42036	42036-0741	SLEEVE	1				
S	49006	49006-0578	BOOT,INSIDE	2				
	49006A	49006-0584	BOOT,OUTSIDE	2				
	59266	59266-0710	JOINT-BALL,FR	2				
	92026	92026-0776	SPACER	1				
	92049	92049-0760	SEAL-OIL,33X60X7	2				
	92049A	92049-0766	SEAL-OIL,44X72X7	1				
	92055	92055-0788	RING-O	1				
	92055A	92055-0830	RING-O,15.3X2.2	2				
	92066	92066-0777	PLUG	1				
	92066A	92066-0778	PLUG	1				
	92072	92072-056	BAND,L=186	1				
	92154	92154-1370	BOLT,FLANGED,8X30	10				
S	92170	92170-2082	CLAMP	1				
	92192	92192-1341	TUBE,BREATHER	1				
	92210	92210-0894	NUT	1				

SIDE X SIDE | KAF1000AHF (MULE PRO-DXT) | DRIVE SHAFT-PROPELLER

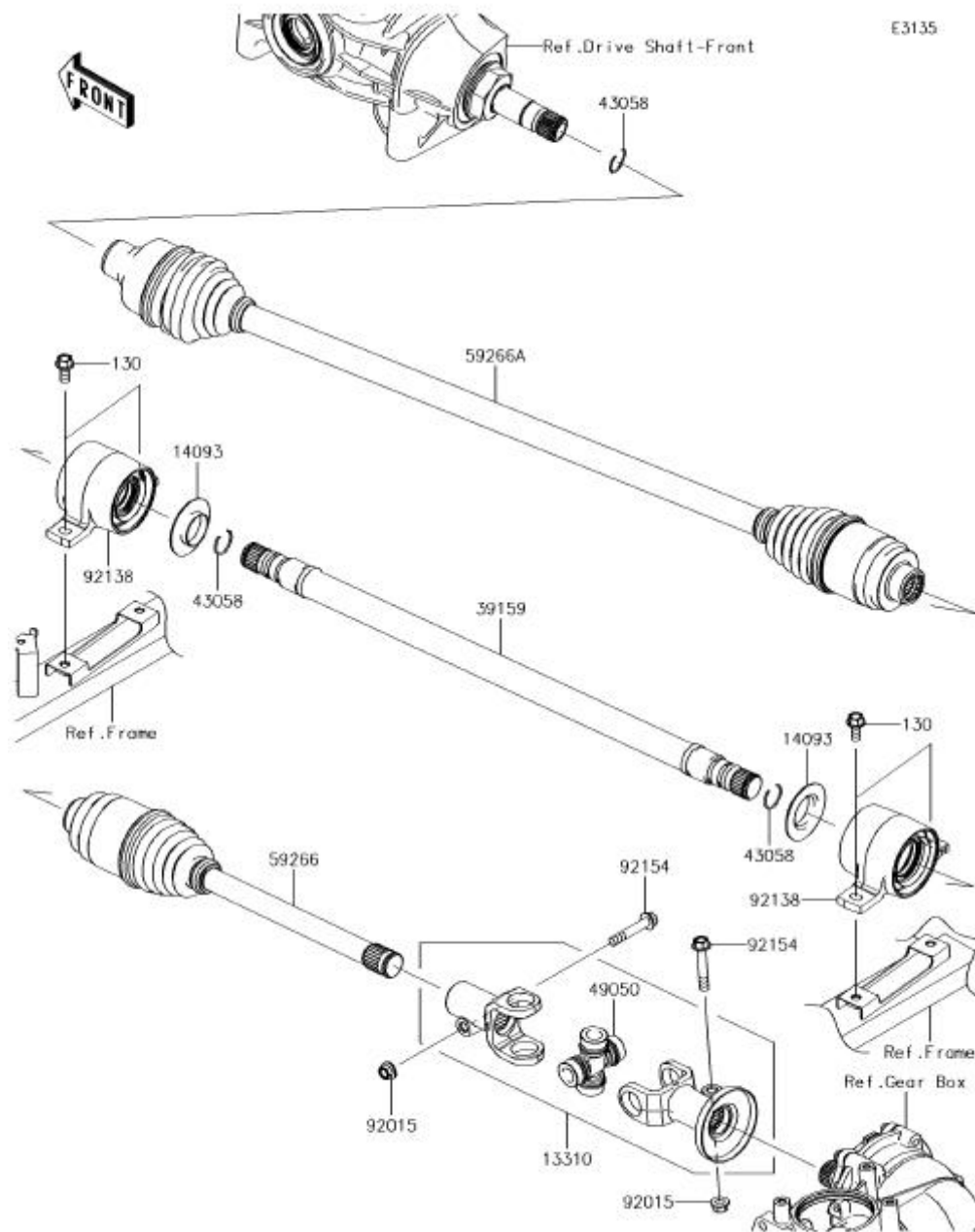


Illustration ©1966-2017 Kawasaki Motors Corp., U.S.A. All rights reserved.

SIDE X SIDE | KAF1000AHF (MULE PRO-DXT) | DRIVE SHAFT-PROPELLER

	REF NUMBER	PART NUMBER	DESCRIPTION	QUANTITY	US	CA	CN	REMARKS
	130	130BA0818	BOLT-FLANGED,8X18	4				
	13310	13310-0038	SHAFT-ASSY	1				
	14093	14093-0006	COVER,SIDE RIP	2				
	39159	39159-0045	SHAFT-DRIVE	1				
	43058	43058-0018	RING	3				
S	49050	49050-0034	SPIDER	1				
	59266	59266-0716	JOINT-BALL,T/M SIDE	1				
S	59266A	59266-0717	JOINT-BALL,FR DIFF SIDE	1				
	92015	92015-1432	NUT,8MM	2				
	92138	92138-0002	BEARING-COMP	2				
	92154	92154-1365	BOLT,FLANGED,8X46	2				



[Print](#)



Image / Parts Listing



Image



Parts Listing

SIDE X SIDE | KAF1000AHF (MULE PRO-DXT) | DRIVE SHAFT-REAR

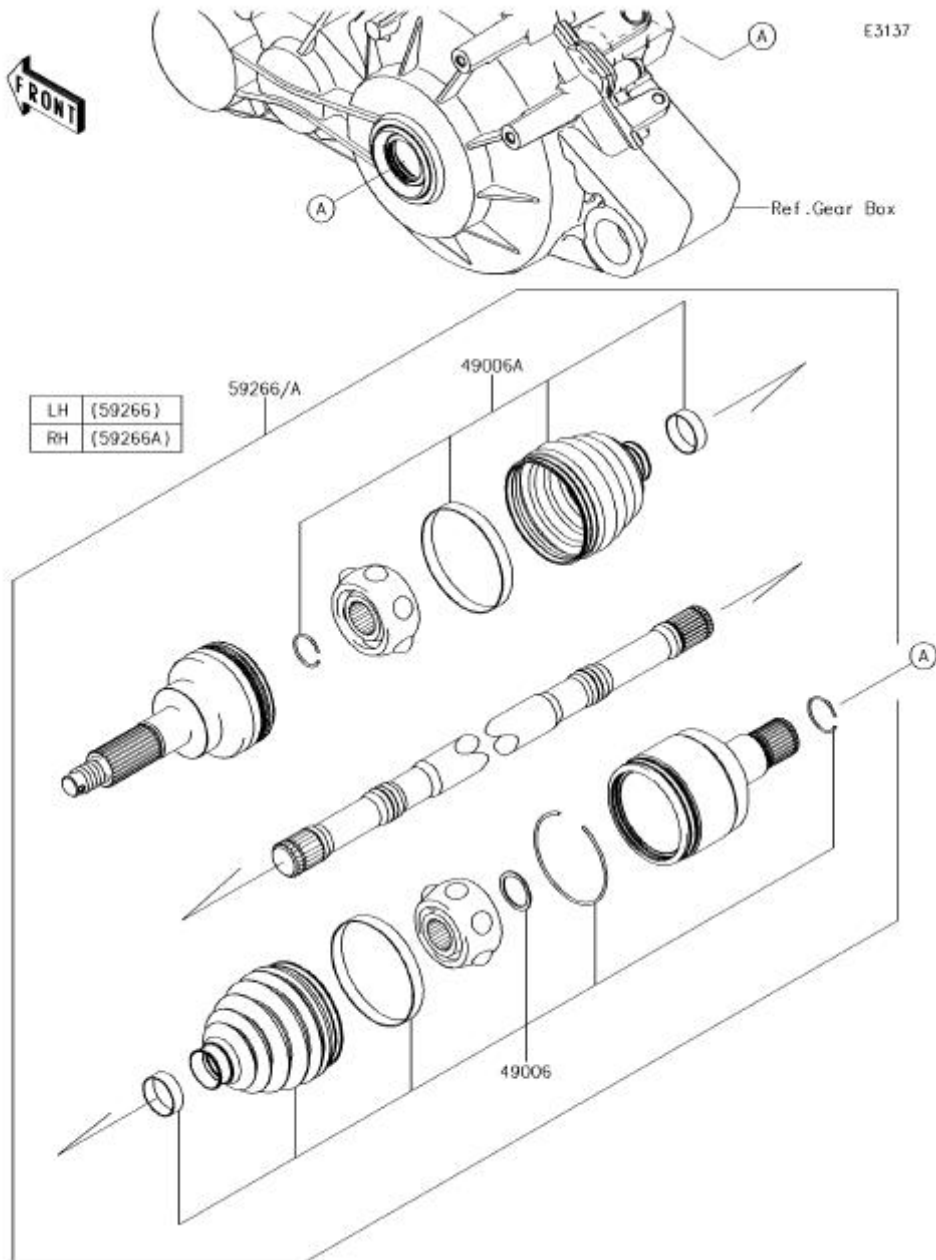



Illustration ©1966-2017 Kawasaki Motors Corp., U.S.A. All rights reserved.

SIDE X SIDE | KAF1000AHF (MULE PRO-DXT) | DRIVE SHAFT-REAR

	REF NUMBER	PART NUMBER	DESCRIPTION	QUANTITY	US	CA	CN	REMARKS
	49006	49006-0585	BOOT,INSIDE	2				
	49006A	49006-0586	BOOT,OUTSIDE	2				
	59266	59266-0049	JOINT-BALL,RR,LH	1				
	59266A	59266-0050	JOINT-BALL,RR,RH	1				

 [Print](#) Image / Parts Listing Image Parts Listing

SIDE X SIDE | KAF1000AHF (MULE PRO-DXT) | DRIVEN CONVERTER/DRIVE BELT

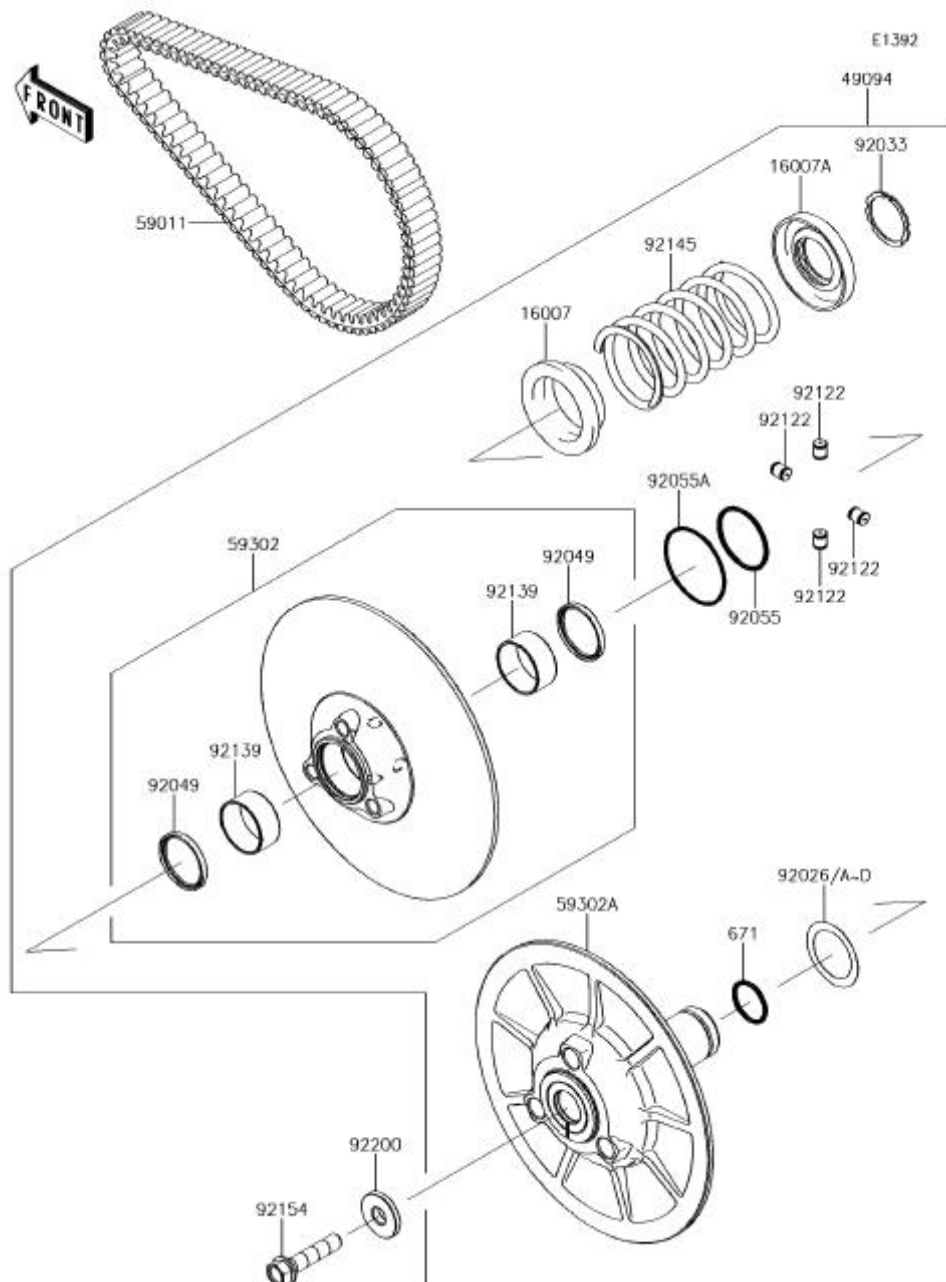



Illustration ©1966-2017 Kawasaki Motors Corp., U.S.A. All rights reserved.

SIDE X SIDE | KAF1000AHF (MULE PRO-DXT) | DRIVEN CONVERTER/DRIVE BELT

	REF NUMBER	PART NUMBER	DESCRIPTION	QUANTITY	US	CA	CN	REMARKS
	16007	16007-0049	SEAT-SPRING,MOVABLE	1				
	16007A	16007-0050	SEAT-SPRING,FIXED	1				
	49094	49094-0095	CONVERTER-ASSY-DRIVEN	1				
	59011	59011-0037	BELT,CVT	1				
	59302	59302-0049	SHEAVE-COMP,MOVABLE	1				
	59302A	59302-0095	SHEAVE-COMP,FIXED	1				
	671	671D2530	O RING	1				
	92026	92026-0034	SPACER,T=0.30	AR				
	92026A	92026-1565	SPACER,T=1.00	AR				
	92026B	92026-1569	SPACER,T=0.60	AR				
	92026C	92026-1570	SPACER,T=1.40	AR				
	92026D	92026-1617	SPACER,T=0.80	AR				
	92033	92033-1317	RING-SNAP	1				
	92049	92049-1528	SEAL-OIL	2				
	92055	92055-0752	RING-O,46.4X3.1	1				
	92055A	92055-0753	RING-O,59.5X2.4	1				
	92122	92122-0043	ROLLER	4				
	92139	92139-0313	BUSHING	2				
	92145	92145-1671	SPRING	1				
	92154	92154-1336	BOLT,FLANGED,12X55	1				
	92200	92200-0069	WASHER	1				

SIDE X SIDE | KAF1000AHF (MULE PRO-DXT) | ENGINE MOUNT

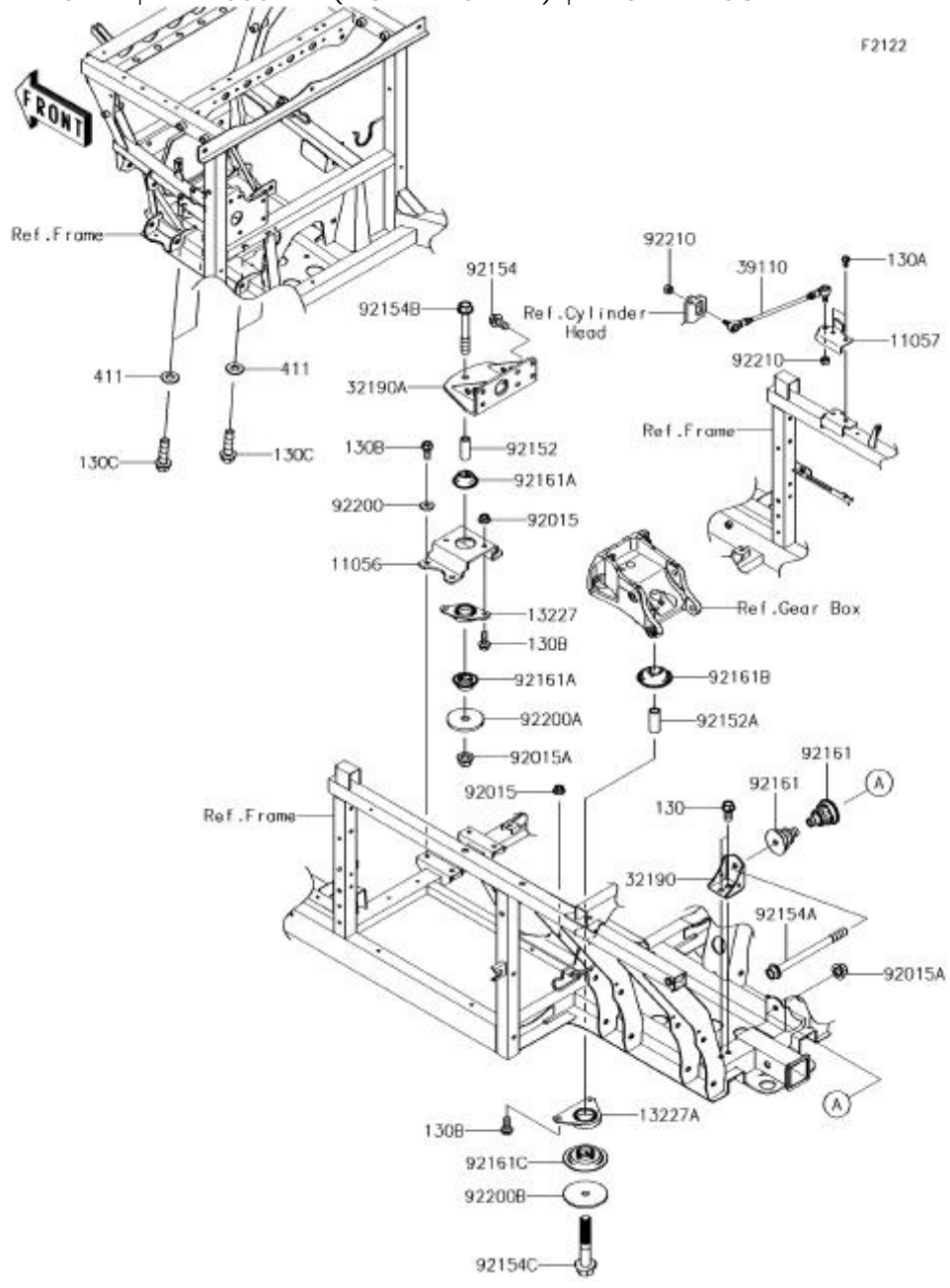


Illustration ©1966-2017 Kawasaki Motors Corp., U.S.A. All rights reserved.

SIDE X SIDE | KAF1000AHF (MULE PRO-DXT) | ENGINE MOUNT

	REF NUMBER	PART NUMBER	DESCRIPTION	QUANTITY	US	CA	CN	REMARKS
	11056	11056-7475	BRACKET	1				
S	11057	11057-1233	BRACKET,TORQUE ROD	1				
S	130	130BA1020	BOLT-FLANGED,10X20	2				
	130A	130CA0818	BOLT-FLANGED,8X18	2				
S	130B	130CA0820	BOLT-FLANGED,8X20	8				
	130C	130CA1245	BOLT-FLANGED,12X45	4				
	13227	13227-0031	HOUSING	1				
	13227A	13227-0032	HOUSING	1				
	32190	32190-0662	BRACKET-ENGINE	1				
	32190A	32190-0701	BRACKET-ENGINE,FR	1				
S	39110	39110-0046	ROD-ASSY-TIE	1				
S	411	411AA1200	WASHER-PLAIN,12MM	4				
	92015	92015-1397	NUT,LOCK,FLANGED,8MM	4				
	92015A	92015-1433	NUT,LOCK,FLANGED,12MM	2				
	92152	92152-1802	COLLAR,13X19.1X54	1				
S	92152A	92152-2127	COLLAR,17X23.8X54.5	1				
	92154	92154-1321	BOLT,FLANGED,10X20	6				
	92154A	92154-1322	BOLT,FLANGED,12X150	1				
	92154B	92154-1419	BOLT,FLANGED,12X80	1				
	92154C	92154-1763	BOLT,FLANGED,16X86	1				
	92161	92161-1616	DAMPER	2				
	92161A	92161-1617	DAMPER	2				
	92161B	92161-1618	DAMPER	1				
	92161C	92161-1619	DAMPER	1				
	92200	92200-0205	WASHER,8.2X20.0X2.5	4				
	92200A	92200-0913	WASHER,12.5X55X4.76	1				
S	92200B	92200-1747	WASHER,16.5X100X4.76	1				
	92210	92210-0606	NUT,LOCK,8MM	2				



[Print](#)

Image / Parts Listing

Image

Parts Listing

SIDE X SIDE | KAF1000AHF (MULE PRO-DXT) | FRAME FITTINGS(FRONT)

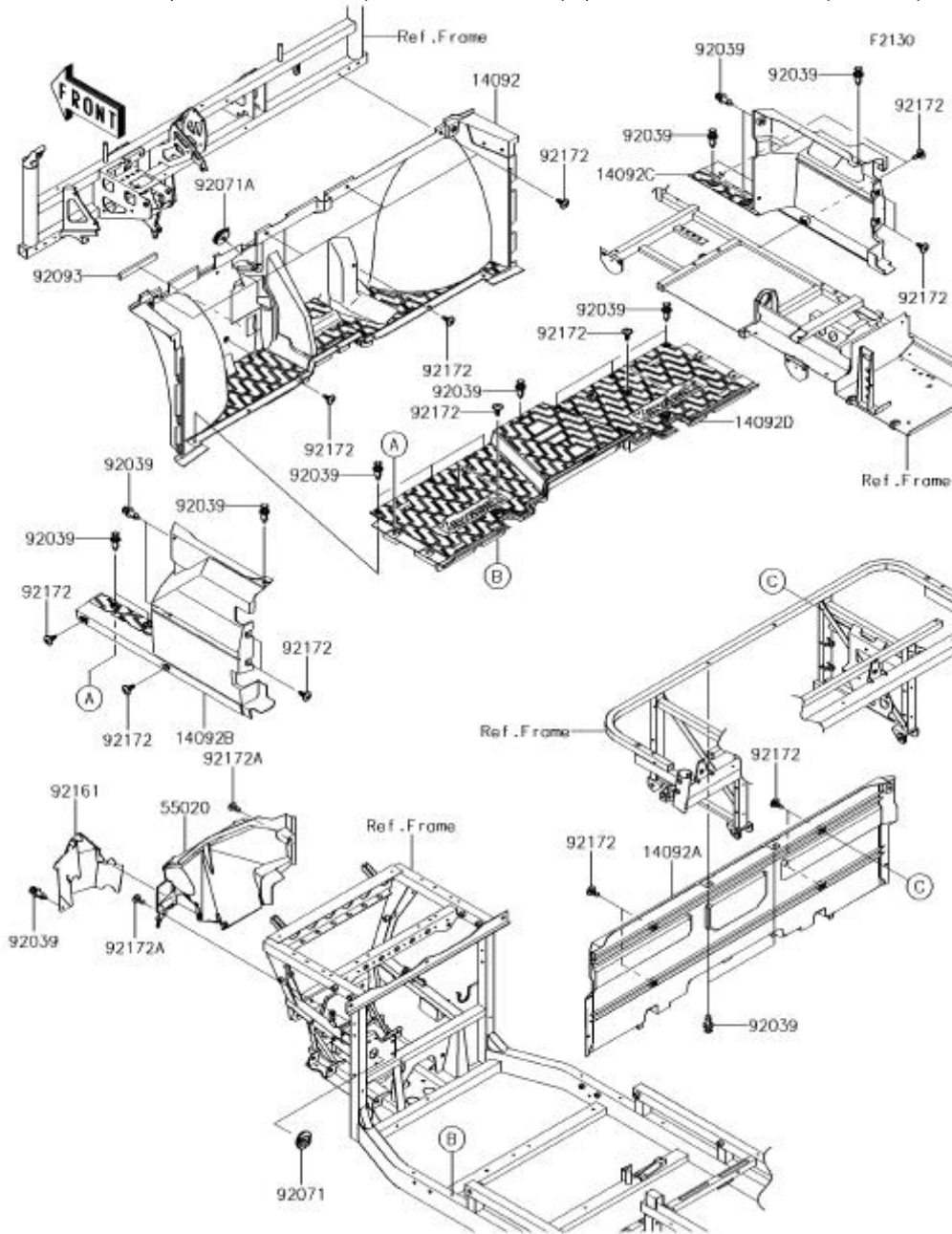



Illustration ©1966-2017 Kawasaki Motors Corp., U.S.A. All rights reserved.

SIDE X SIDE | KAF1000AHF (MULE PRO-DXT) | FRAME FITTINGS(FRONT)





	REF NUMBER	PART NUMBER	DESCRIPTION	QUANTITY	US	CA	CN	REMARKS
	14092	14092-1184	COVER,FR FLOOR	1				
	14092A	14092-1185	COVER,FR SEAT	1				
	14092B	14092-1188	COVER,SIDE,LH,FR	1				
	14092C	14092-1189	COVER,SIDE,RH,FR	1				
	14092D	14092-1196	COVER,FLOOR,BOTTOM	1				
	55020	55020-0961	GUARD	1				
	92039	92039-0776	RIVET	20				
	92071	92071-0728	GROMMET,9X45X9	1				
	92071A	92071-0753	GROMMET,8X22X8	1				
	92093	92093-0617	SEAL,10X20X165	1				
	92161	92161-1649	DAMPER	1				
	92172	92172-0711	SCREW,6X16	22				
	92172A	92172-0739	SCREW,TAPPING,6X16	2				

SIDE X SIDE | KAF1000AHF (MULE PRO-DXT) | FRAME FITTINGS(REAR)

	REF NUMBER	PART NUMBER	DESCRIPTION	QUANTITY	US	CA	CN	REMARKS
	13272	13272-1828	PLATE,LATCH	2				
	14092	14092-1186	COVER,RR FLOOR,FR	1				
	14092A	14092-1190	COVER,SIDE,LH,RR	1				
	14092B	14092-1191	COVER,SIDE,RH,RR	1				
	14092C	14092-1196	COVER,FLOOR,BOTTOM	1				
	14093	14093-0296	COVER,DUST	1				
S	14093A	14093-0366	COVER,A/C	1				
S	14093B	14093-0367	COVER,RR SEAT	1				
S	14093C	14093-0388	COVER,RR,FLOOR,MUD,LH	1				
S	14093D	14093-0389	COVER,RR,FLOOR,MUD,RH	1				
	14093E	14093-0492	COVER,MAINTENANCE ROOM	1				
	16073	16073-0814	INSULATOR,LH	1				
	16073A	16073-0815	INSULATOR,RH	1				
	27012	27012-0806	HOOK,STRIKER	1				
	49031	49031-0007	LATCH,A/C	1				
	49031A	49031-0015	LATCH,TOGGLE	1				
	92027	92027-1168	COLLAR,L=4.6	2				
	92039	92039-0086	RIVET	12				
	92039A	92039-0739	RIVET,3.2X13.4	4				
	92039B	92039-0747	RIVET	4				
S	92039C	92039-0776	RIVET	29				
	92066	92066-0812	PLUG,36X20	2				
	92075	92075-1808	DAMPER,6X10X15	2				
	92075A	92075-261	DAMPER,RUBBER	3				
	92093	92093-0631	SEAL,DUST,20X20X565	1				
	92093A	92093-0633	SEAL,DUST,20X25X280	1				
	92093B	92093-0642	SEAL,165X50X25	1				
	92093C	92093-0643	SEAL,DUST,61X368X10	1				
	92093D	92093-0644	SEAL,DUST,39X255X15	1				
	92093E	92093-0645	SEAL,DUST,69X207X10	1				
	92093F	92093-0646	SEAL,DUST,15X305X20	1				
	92093G	92093-0651	SEAL,52X72X20	1				
	92093H	92093-0652	SEAL,21.5X60X20	1				
	92093I	92093-0666	SEAL,HARNESS	1				
	92161	92161-1827	DAMPER,25X60X3.175	1				
	92172	92172-0236	SCREW,6X16	2				
	92172A	92172-0711	SCREW,6X16	20				

SIDE X SIDE | KAF1000AHF (MULE PRO-DXT) | FRAME

	REF NUMBER	PART NUMBER	DESCRIPTION	QUANTITY	US	CA	CN	REMARKS
	11065A	11065-7504	CAP	1				
S	130	130BA0618	BOLT-FLANGED,6X18	4				
S	130A	130BA0814	BOLT-FLANGED,8X14	5				
	130B	130BA0822	BOLT-FLANGED,8X22	1				
S	130C	130BA0825	BOLT-FLANGED,8X25	2				
S	130D	130BA0860	BOLT-FLANGED,8X60	8				
	31064	31064-0642	PIPE-COMP,RR DOOR HINGE,LH	1				
	31064A	31064-0643	PIPE-COMP,RR DOOR HINGE,RH	1				
	32181	32181-0011	FRAME-SUB-COMP,DASH PANEL	1				
	32181A	32181-0013	FRAME-SUB-COMP,SEAT	1				
S	39043	39043-0025	CROSSMEMBER-COMP,C PILLAR	1				
S	39051	39051-0005	FRAME-COMP-SIDE,LH	1				
S	39051B	39051-0013	FRAME-COMP-SIDE,RH	1				
	39114	39114-0016	SHAFT-COMP-STRG	1				
	39190	39190-0006	SHAFT-ASSY-STEERING	1				
	39191	39191-0030	GEAR-ASSY-STEERING	1				
	59266	59266-0712	JOINT-BALL	2				
	92015	92015-1432	NUT,8MM	8				
	92015A	92015-1433	NUT,LOCK,FLANGED,12MM	3				
	92015B	92015-1791	NUT,POP,6MM,L=15	12				
	92015C	92015-1793	NUT,POP,8MM,L=16.5	1				
	92015D	92015-1841	NUT,CASTLE,14MM	2				
S	92066	92066-7505	PLUG	2				
	92139	92139-0230	BUSHING	2				
	92152	92152-1848	COLLAR,8.2X18X5	1				
	92154	92154-1008	BOLT,FLANGED,12X50	3				
	92154A	92154-1226	BOLT,FLANGED,8X20	7				
	92154B	92154-1320	BOLT,6X21.5	2				
	92161	92161-1688	DAMPER	1				
S	92161A	92161-1825	DAMPER,GAS SPRING	1				
	92200	92200-1595	WASHER,10.5X25X1.6	4				
S	92210	92210-0276	NUT,LOCK,FLANGED,10MM	12				
	92210A	92210-0303	NUT,LOCK,FLANGED,6MM	2				
	92210B	92210-0934	NUT,HARD LOCK,8MM	2				
	92210C	92210-0969	NUT,16MM	2				
	130E	130BA1065	BOLT-FLANGED,10X65	4				
	130F	130BA1070	BOLT-FLANGED,10X70	4				
S	130G	130CA0830	BOLT-FLANGED,8X30	1				

	130H	130CA0845	BOLT-FLANGED,8X45	1				
	130I	130CA1075	BOLT-FLANGED,10X75	4				
	318	318BA0800	NUT-HEX-SMALL,8MM	1				
	410	410AA1400	WASHER-PLAIN-SMALL,14MM	2				
	550	550AA3025	PIN-COTTER,3.0X25	2				

SIDE X SIDE | KAF1000AHF (MULE PRO-DXT) | FRONT BOX

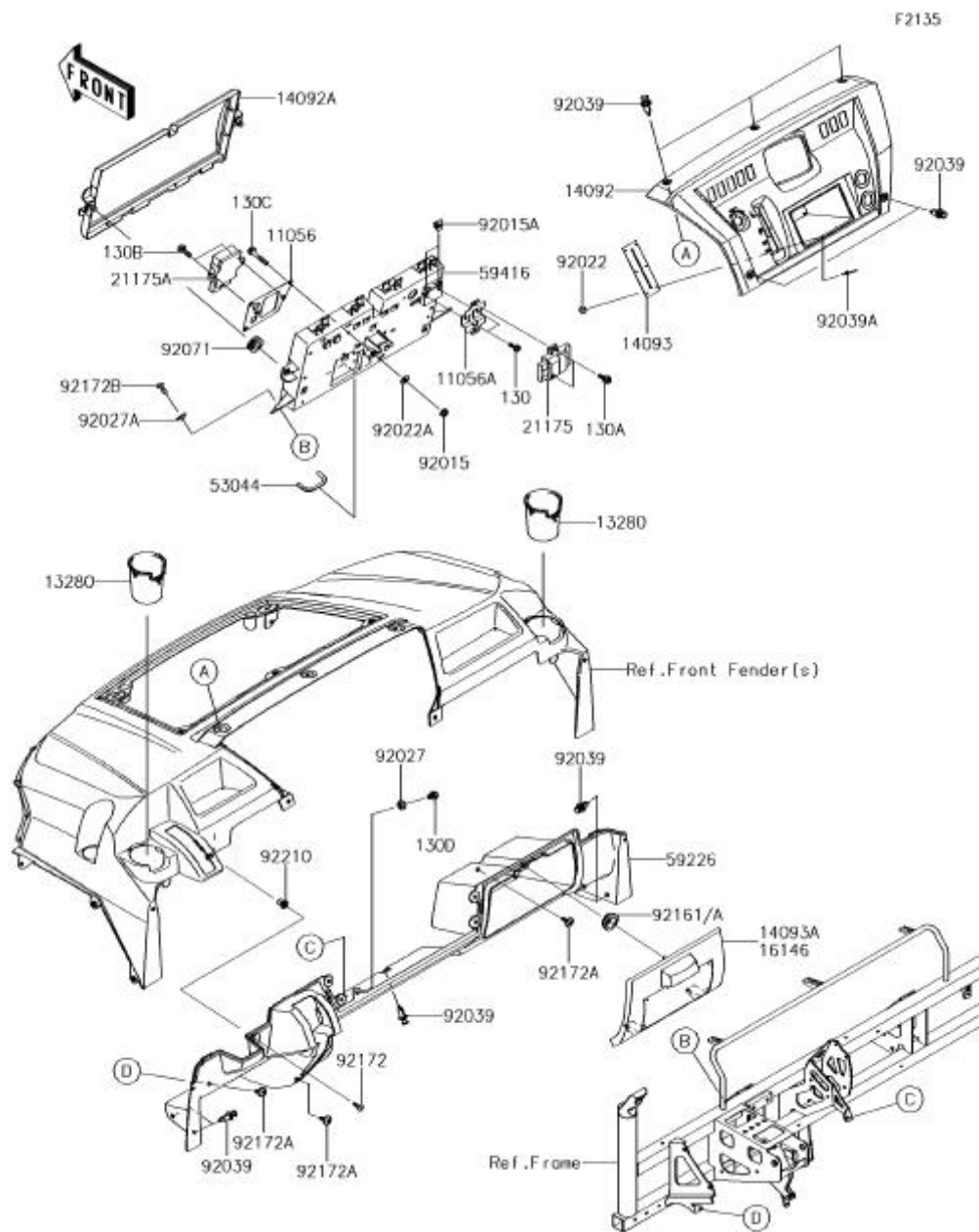



Illustration ©1966-2017 Kawasaki Motors Corp., U.S.A. All rights reserved.

SIDE X SIDE | KAF1000AHF (MULE PRO-DXT) | FRONT BOX

	REF NUMBER	PART NUMBER	DESCRIPTION	QUANTITY	US	CA	CN	REMARKS
	11056	11056-7476	BRACKET,SOLENOID	1				
	11056A	11056-7477	BRACKET,CONTROLLER	1				
S	130	130BA0516	BOLT-FLANGED,5X16	2				
S	130A	130BA0616	BOLT-FLANGED,6X16	2				
S	130B	130BA0618	BOLT-FLANGED,6X18	2				
S	130C	130BA0635	BOLT-FLANGED,6X35	3				
S	130D	130CA0616	BOLT-FLANGED,6X16	1				
	13280	13280-0774	HOLDER,CUP	2				
	14092	14092-1192	COVER,DASHBOARD	1				
	14092A	14092-1197	COVER,ELECTRIC BOX	1				
	14093	14093-0146	COVER,SHIFT LEVER	1				
	16146	16146-0786	COVER-ASSY,GLOVE BOX	1				
	21175	21175-1105	ECU,VEHICLE CONTROLLER (DRIVE)	1				
	21175A	21175-1113	ECU,AIR PRESSURE SENSOR (FUEL)	1				
	53044	53044-0572	TRIM	1				
	59226	59226-0042	PANEL-CONTROL	1				
	59416	59416-0025	CASE-ELECTRIC	1				
S	92015	92015-1367	NUT,FLANGED,6MM	3				
	92015A	92015-1627	NUT,5MM	2				
	92022	92022-1407	WASHER,3.3X12X1.2	6				
	92022A	92022-2247	WASHER	3				
	92027	92027-1168	COLLAR,L=4.6	1				
	92027A	92027-1260	COLLAR,L=5.1	2				
S	92039	92039-0776	RIVET	10				
	92039A	92039-1231	RIVET	6				
	92071	92071-1131	GROMMET	2				
S	92161	92161-1786	DAMPER,7.8X26X10	1				
	92172	92172-0292	SCREW,5MM	1				
	92172A	92172-0711	SCREW,6X16	3				
	92172B	92172-0739	SCREW,TAPPING,6X16	2				
	92210	92210-0370	NUT,WELL,5MM	1				

 [Print](#) Image / Parts Listing Image Parts Listing

SIDE X SIDE | KAF1000AHF (MULE PRO-DXT) | FRONT BRAKE

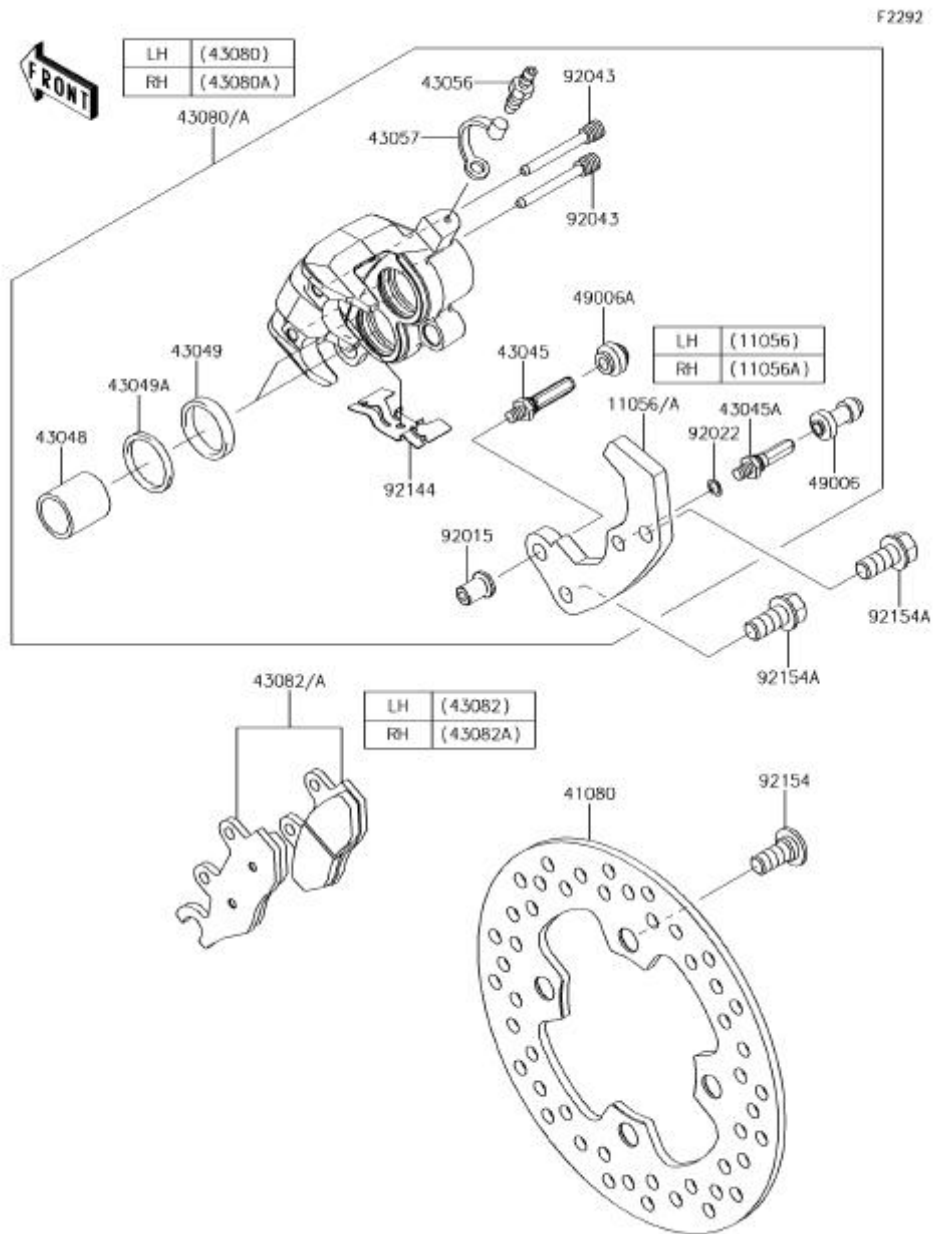




Illustration ©1966-2017 Kawasaki Motors Corp., U.S.A. All rights reserved.

SIDE X SIDE | KAF1000AHF (MULE PRO-DXT) | FRONT BRAKE

	REF NUMBER	PART NUMBER	DESCRIPTION	QUANTITY	US	CA	CN	REMARKS
	11056	11056-3807	BRACKET,LH	1				
	11056A	11056-3829	BRACKET,RH	1				
	41080	41080-0608	DISC	2				
	43045	43045-0011	SHAFT-CALIPER	2				
	43045A	43045-1010	SHAFT-CALIPER	2				
	43048	43048-1068	PISTON-CALIPER	4				
	43049	43049-1060	PACKING,PISTON SEAL	4				
	43049A	43049-1061	PACKING,PISTON SEAL	4				
	43056	43056-1055	BREATHER	2				
	43057	43057-1001	CAP-BREATHER	2				
	43080	43080-0138	CALIPER-SUB-ASSY,FR,LH	1				
	43080A	43080-0139	CALIPER-SUB-ASSY,FR,RH	1				
	43082	43082-0138	PAD-ASSY-BRAKE,FR,LH	1				
	43082A	43082-0146	PAD-ASSY-BRAKE,FR,RH	1				
	49006	49006-1088	BOOT,CALIPER	2				
	49006A	49006-1242	BOOT,CALIPER	2				
	92015	92015-1740	NUT	2				
	92022	92022-1373	WASHER,WAVE	2				
	92043	92043-1416	PIN,HANGER	4				
	92144	92144-1847	SPRING,PAD	2				
	92154	92154-0713	BOLT,SOCKET,10X23	8				
	92154A	92154-1327	BOLT,FLANGED,10X22	4				

SIDE X SIDE | KAF1000AHF (MULE PRO-DXT) | FRONT FENDER(S)

	REF NUMBER	PART NUMBER	DESCRIPTION	QUANTITY	US	CA	CN	REMARKS
S	130	130CA0616	BOLT-FLANGED,6X16	3				
	14092	14092-0791	COVER,CENTER CONSOLE, TOP	1				
	14092A	14092-1177-839	COVER,OPEN,S.BLACK	1				
	14092B	14092-1194	COVER, TOP,FR INNER	1				
S	14093	14093-0596	COVER,SIDE,LH	1				
S	14093A	14093-0597	COVER,SIDE,RH	1				
	35004	35004-0335-839	FENDER-FRONT,S.BLACK	1				
	49031	49031-0008	LATCH	2				
	55022	55022-0304	COVER-HEAD LAMP	1				
S	92009	92009-1621	SCREW,6X16	2				
S	92015	92015-1678	NUT,CLAMP,6MM	2				
	92027	92027-1168	COLLAR,L=4.6	5				
S	92039	92039-0776	RIVET	28				
	92039A	92039-0785	RIVET,3.2X9.5	4				
	92077	92077-0030	KNOB	2				
	92145	92145-1727	SPRING,17X65	2				
	92152	92152-0140	COLLAR	2				
	92161	92161-1861	DAMPER,40X40X10	2				
S	92172	92172-0284	SCREW,6X16	2				
	92172A	92172-0711	SCREW,6X16	14				
S	92200	92200-0503	WASHER	4				



[Print](#)



Image / Parts Listing



Image



Parts Listing

SIDE X SIDE | KAF1000AHF (MULE PRO-DXT) | FRONT HUBS/BRAKES

F2230

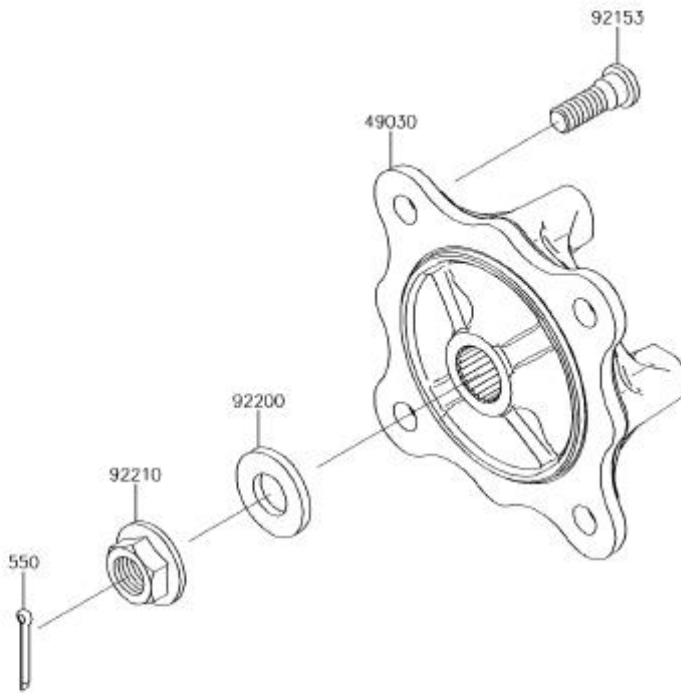


Illustration ©1966-2017 Kawasaki Motors Corp., U.S.A. All rights reserved.

SIDE X SIDE | KAF1000AHF (MULE PRO-DXT) | FRONT HUBS/BRAKES

	REF NUMBER	PART NUMBER	DESCRIPTION	QUANTITY	US	CA	CN	REMARKS
	49030	49030-0048	HUB,FR	2				
	550	550AA4030	PIN-COTTER,4.0X30	2				
	92153	92153-1915	BOLT,12MM	8				
	92200	92200-0921	WASHER,20.3X41X4.5	2				
	92210	92210-2093	NUT,FLANGED,20MM	2				

SIDE X SIDE | KAF1000AHF (MULE PRO-DXT) | FRONT SUSPENSION

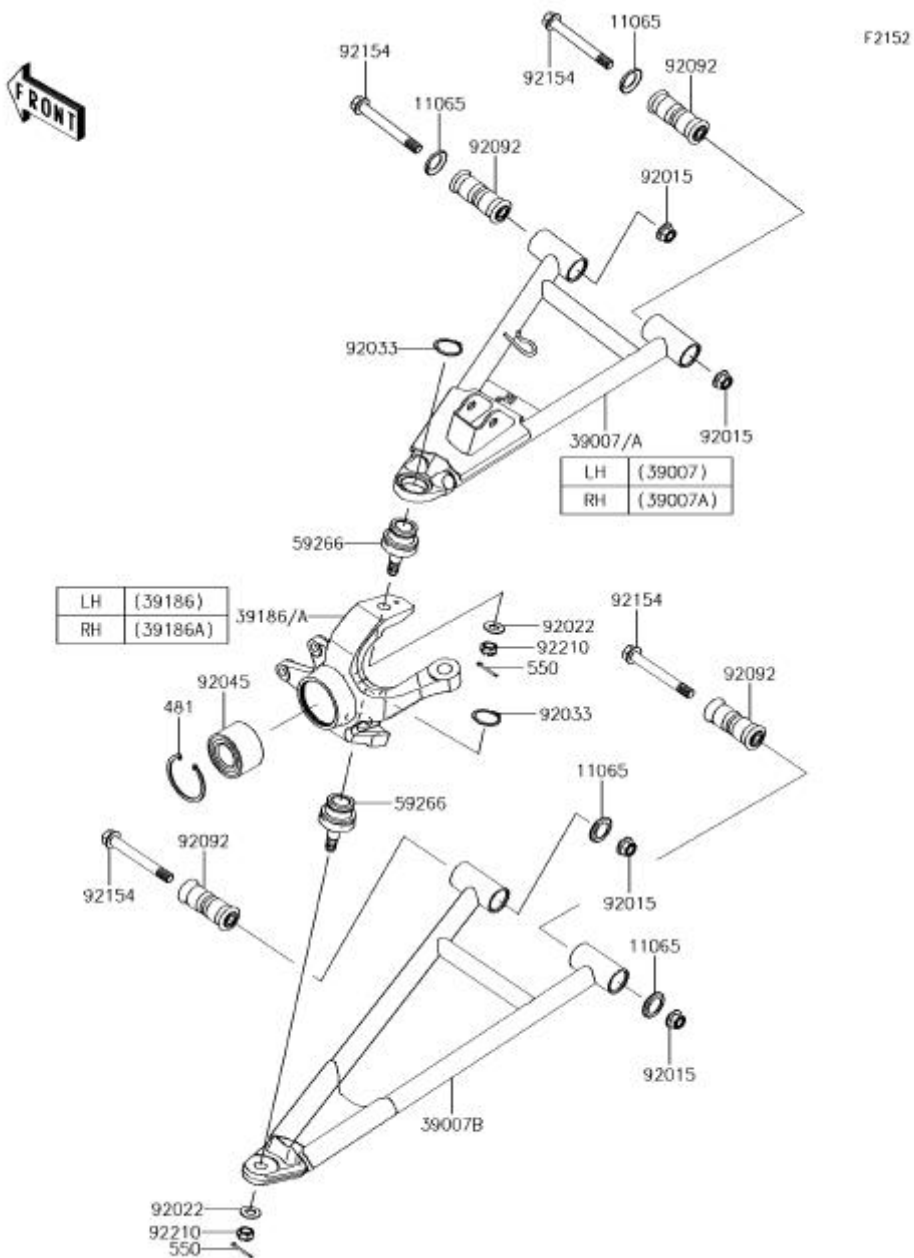


Illustration ©1966-2017 Kawasaki Motors Corp., U.S.A. All rights reserved.

SIDE X SIDE | KAF1000AHF (MULE PRO-DXT) | FRONT SUSPENSION

	REF NUMBER	PART NUMBER	DESCRIPTION	QUANTITY	US	CA	CN	REMARKS
	11065	11065-0838	CAP,ARM	8				
	39007	39007-0377	ARM-SUSP,FR,UPP,LH	1				
	39007A	39007-0378	ARM-SUSP,FR,UPP,RH	1				
	39007B	39007-0383	ARM-SUSP,FR,LWR,LH&RH	2				
	39186	39186-0319	KNUCKLE,FR,LH	1				
	39186A	39186-0320	KNUCKLE,FR,RH	1				
	481	481J6000	CIRCLIP-TYPE-C	2				
	550	550AA3025	PIN-COTTER,3.0X25	4				
	59266	59266-0711	JOINT-BALL	4				
	92015	92015-1433	NUT,LOCK,FLANGED,12MM	8				
	92022	92022-1831	WASHER	4				
	92033	92033-1262	RING-SNAP,C-TYPE,32MM	4				
	92045	92045-0762	BEARING-BALL,30X60X37	2				
	92092	92092-0028	BUSHING-RUBBER,12X20X78	8				
	92154	92154-1318	BOLT,FLANGED,12X100	8				
	92210	92210-0395	NUT,CASTLE,12MM	4				



[Print](#)



Image / Parts Listing



Image



Parts Listing

SIDE X SIDE | KAF1000AHF (MULE PRO-DXT) | FUEL FILTER

F2411

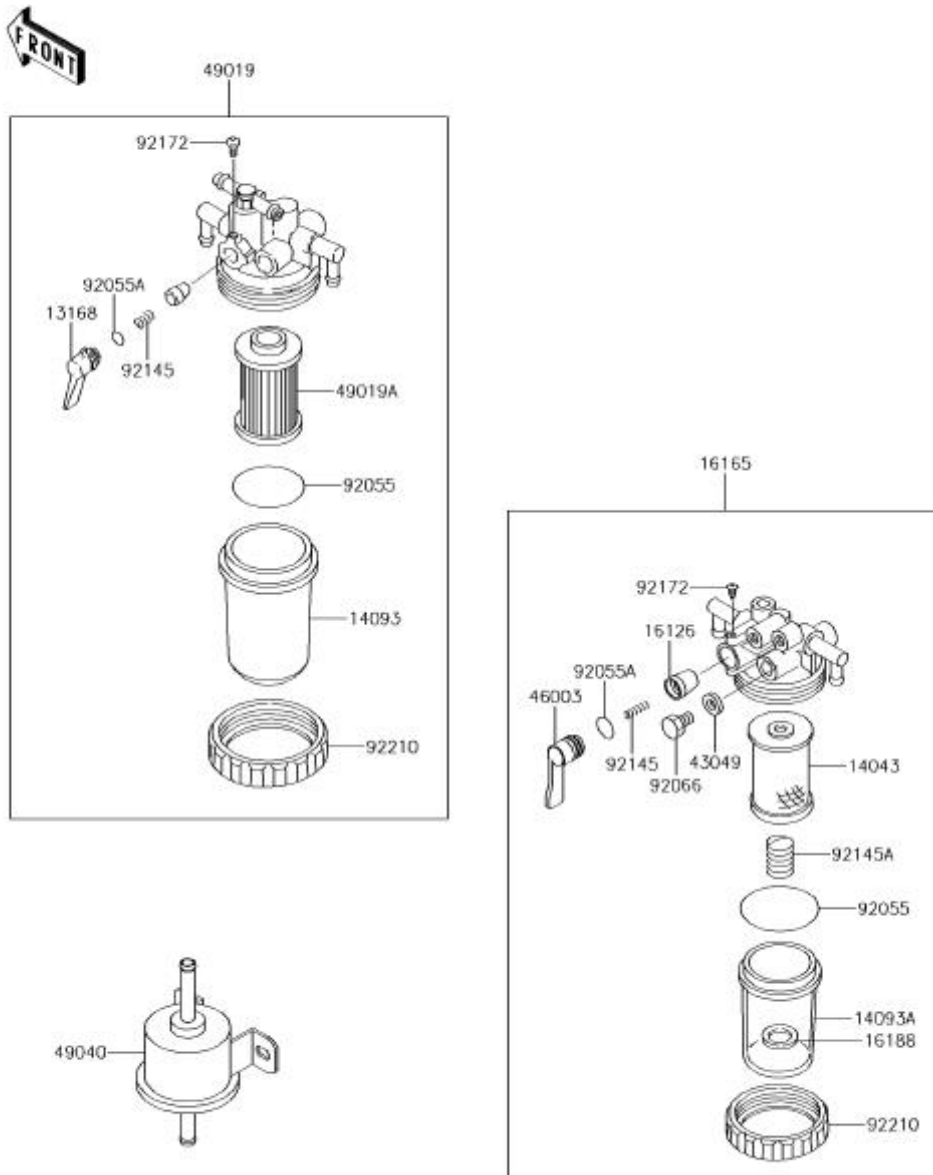


Illustration ©1966-2017 Kawasaki Motors Corp., U.S.A. All rights reserved.

SIDE X SIDE | KAF1000AHF (MULE PRO-DXT) | FUEL FILTER

	REF NUMBER	PART NUMBER	DESCRIPTION	QUANTITY	US	CA	CN	REMARKS
	13168	13168-0845	LEVER	1				
	14043	14043-0018	FILTER	1				
	14093	14093-0452	COVER	1				
	14093A	14093-0453	COVER	1				
	16126	16126-0738	VALVE	1				
	16165	16165-0012	SEPARATOR,WATER	1				
	16188	16188-0038	FLOAT	1				
	43049	43049-0046	PACKING,6X1	2				
	46003	46003-0665	HANDLE	1				
	49019	49019-0020	FILTER-FUEL	1				
	49019A	49019-0026	FILTER-FUEL,ELEMENT	1				
	49040	49040-0747	PUMP-FUEL	1				
	92055	92055-0864	RING-O	2				
	92055A	92055-0865	RING-O	2				
	92066	92066-0856	PLUG	2				
	92145	92145-1718	SPRING,VALVE	2				
	92145A	92145-1719	SPRING	1				
	92172	92172-0992	SCREW	2				
	92210	92210-1494	NUT,FILTER	2				

SIDE X SIDE | KAF1000AHF (MULE PRO-DXT) | FUEL INJECTION

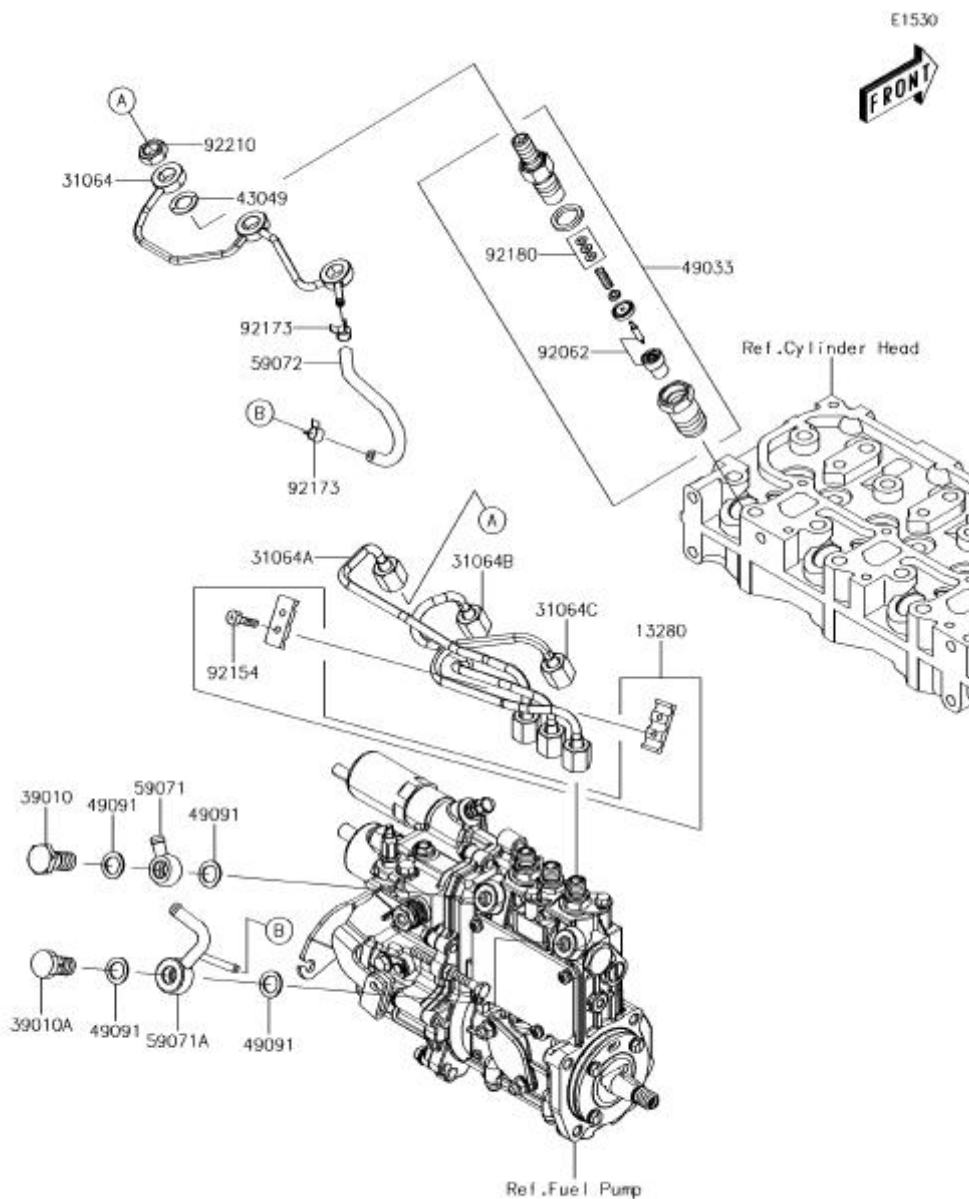


Illustration ©1966-2017 Kawasaki Motors Corp., U.S.A. All rights reserved.

SIDE X SIDE | KAF1000AHF (MULE PRO-DXT) | FUEL INJECTION

	REF NUMBER	PART NUMBER	DESCRIPTION	QUANTITY	US	CA	CN	REMARKS
	13280	13280-0862	HOLDER	1				
	31064	31064-0681	PIPE-COMP,RETURN	1				
	31064A	31064-0682	PIPE-COMP,INJECTION,NO.1	1				
	31064B	31064-0683	PIPE-COMP,INJECTION,NO.2	1				
	31064C	31064-0684	PIPE-COMP,INJECTION,NO.3	1				
	39010	39010-0001	BOLT-EYE,PIPE JOINT	1				
	39010A	39010-0002	BOLT-EYE,PIPE JOINT	1				
	43049	43049-0045	PACKING	3				
	49033	49033-0039	NOZZLE-INJECTION	3				
	49091	49091-0007	WASHER-SEAL	4				
	59071	59071-0738	JOINT	1				
	59071A	59071-0739	JOINT,OVER FLOW	1				
	59072	59072-0004	JOINT-EYE	1				
	92062	92062-0038	NOZZLE	3				
	92154	92154-2115	BOLT,4X14	2				
	92173	92173-1551	CLAMP	2				
	92180	92180-0971	SHIM,SET	3				
	92210	92210-1469	NUT	3				

SIDE X SIDE | KAF1000AHF (MULE PRO-DXT) | FUEL PUMP

	REF NUMBER	PART NUMBER	DESCRIPTION	QUANTITY	US	CA	CN	REMARKS
S	130	130BA0612	BOLT-FLANGED,6X12	2				
	13329	13329-0001	SUPPORT	1				
	14093	14093-0448	COVER,GOVERNOR CASE	1				
	21188	21188-0012	SOLENOID,POWER CONTROL	1				
	21188A	21188-0013	SOLENOID,STOP	1				
	32155	32155-2047	PIPE,FEED	1				
	32155A	32155-2048	PIPE,RETURN	1				
	49040	49040-0751	PUMP-FUEL,INJECTION	1				
	51044	51044-0785	TUBE-ASSY	1				
S	92037	92037-1181	CLAMP,HOSE CLIP	9				
	92038	92038-0008	KEY,WOODRUFF	1				
	92055	92055-0859	RING-O	1				
	92055A	92055-0860	RING-O	1				
	92055B	92055-0861	RING-O	1				
	92154	92154-1940	BOLT,FLANGED,8X63	2				
	92154A	92154-1997	BOLT,FLANGED,6X14	2				
	92154B	92154-2068	BOLT,FLANGED,6X10	3				
	92154C	92154-2071	BOLT,FLANGED,8X16	2				
	92170	92170-1938	CLAMP	1				
	92171	92171-0515	CLAMP	5				
	92173	92173-1467	CLAMP	6				
	92192	92192-1476	TUBE,7.5X13.5X390	2				
	92192A	92192-1477	TUBE,PUMP-FILTER	1				
	92192B	92192-1478	TUBE,FILER-ENGINE(FILTER SIDE)	1				
	92192C	92192-1479	TUBE,ENGINE-FILER(ENGINE SIDE)	1				
	92192D	92192-1480	TUBE,ENGINE-FILER(FILTER SIDE)	1				
	92192E	92192-1481	TUBE,FILTER-TANK	1				
	92200	92200-1810	WASHER,SPRING	1				
	92210	92210-1486	NUT,12MM	1				

SIDE X SIDE | KAF1000AHF (MULE PRO-DXT) | FUEL TANK

	REF NUMBER	PART NUMBER	DESCRIPTION	QUANTITY	US	CA	CN	REMARKS
S	130	130BA0612	BOLT-FLANGED,6X12	1				
S	130A	130BA0620	BOLT-FLANGED,6X20	2				
S	130B	130BA0630	BOLT-FLANGED,6X30	2				
	13271	13271-0980	PLATE	1				
	13272	13272-2206	PLATE	1				
S	16087	16087-0703	VALVE-CHECK	1				
	32052	32052-0751	BRACKET-TANK	1				
S	51004	51004-0009	TANK-FUEL	1				
S	51049	51049-0718	CAP-TANK,FUEL	1				
	52005	52005-0753	GAUGE,FUEL	1				
	670	670E1509	O RING,9MM	1				
	670A	670E5090	O RING	1				
	92005	92005-0813	FITTING	1				
S	92037	92037-1181	CLAMP,HOSE CLIP	1				
	92037A	92037-1461	CLAMP,TUBE	3				
	92072	92072-1438	BAND	1				
	92152	92152-1867	COLLAR,6.8X10X18.1	2				
	92154	92154-1250	BOLT,6X15.6	3				
	92154A	92154-1326	BOLT,FUEL PUMP	6				
	92160	92160-1075	DAMPER	1				
	92161	92161-1613	DAMPER,30X56X25	2				
	92161A	92161-1614	DAMPER,10X28X17	2				
S	92161B	92161-1645	DAMPER,80X200X3.175	1				
	92161C	92161-1876	DAMPER	1				
	92192	92192-0773	TUBE,BREATHER	1				
	92192A	92192-1199	TUBE,BREATHER,5X9X220	1				
	92192B	92192-1474	TUBE,FUEL,8X13X137	1				

SIDE X SIDE | KAF1000AHF (MULE PRO-DXT) | GEAR BOX

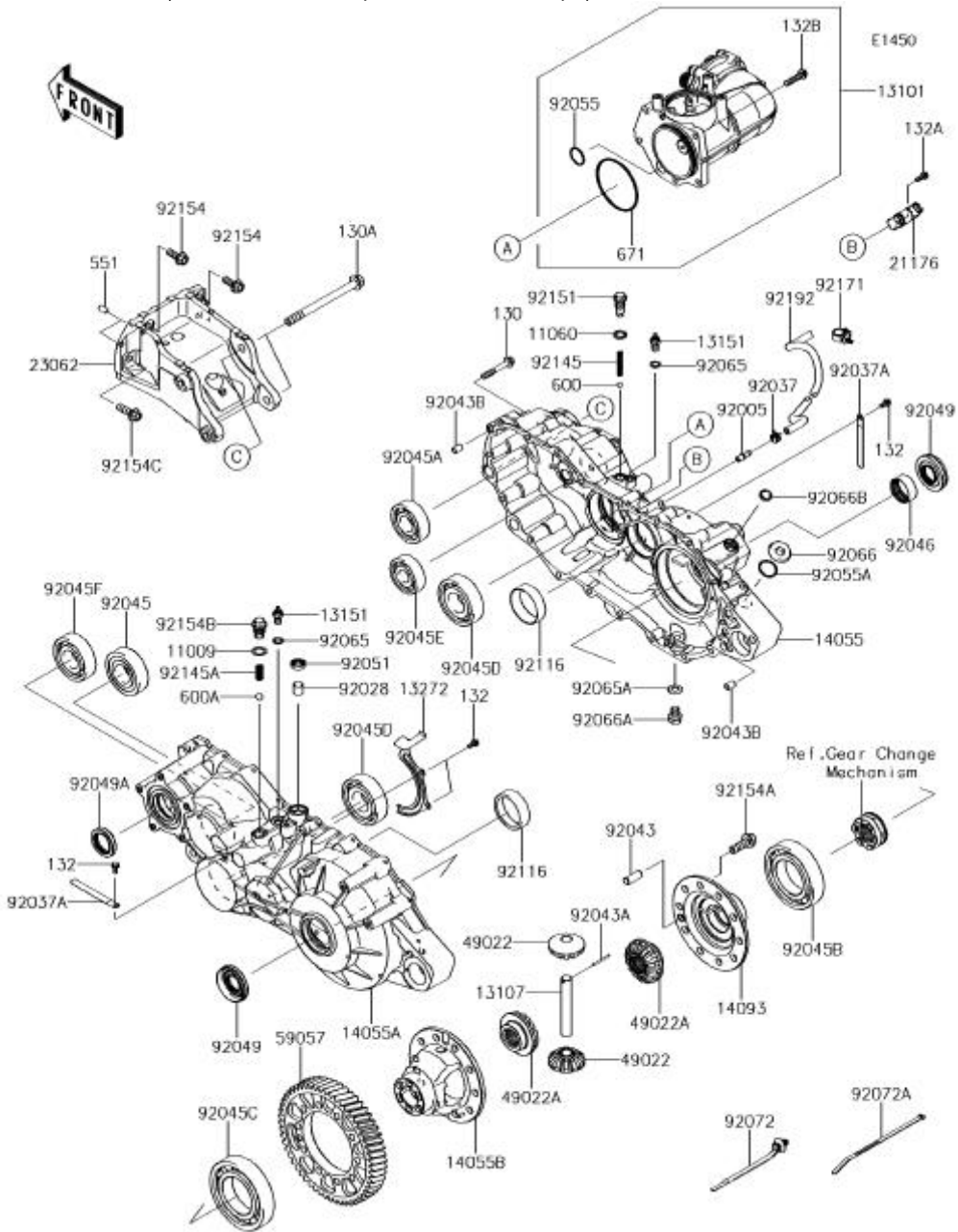


Illustration ©1966-2017 Kawasaki Motors Corp., U.S.A. All rights reserved.

SIDE X SIDE | KAF1000AHF (MULE PRO-DXT) | GEAR BOX

	REF NUMBER	PART NUMBER	DESCRIPTION	QUANTITY	US	CA	CN	REMARKS
	11009	11009-1008	GASKET,15.5X22X1	1				
	11060	11060-1287	GASKET,14X20X2	1				
	13101	13101-0636	GEAR-ASSY,PARTICULAR	1				
	13107	13107-0793	SHAFT	1				
S	13151	13151-1080	SWITCH-COMP,NEUTRAL	2				
	13272	13272-1624	PLATE	1				
	14055	14055-0607	CASE-GEAR,RH	1				
	14055A	14055-0608	CASE-GEAR,LH	1				
	14055B	14055-0614	CASE-GEAR,DIFF	1				
	14093	14093-0048	COVER,DIFF	1				
	21176	21176-0767	SENSOR,ROTATION	1				
	23062	23062-0855	BRACKET-COMP	1				
	49022	49022-0585	GEAR-BEVEL,PINION,12T	2				
	49022A	49022-0589	GEAR-BEVEL,OUTPUT,16T	2				
	59057	59057-0012	GEAR-HELICAL,55T	1				
	92005	92005-1127	FITTING,BREATHER	1				
	92028	92028-1347	BUSHING	1				
	92037	92037-1505	CLAMP,TUBE	1				
	92037A	92037-1993	CLAMP	2				
	92043	92043-0789	PIN,DOWEL,12X30	1				
	92043A	92043-0806	PIN,DOWEL	1				
S	92043B	92043-1037	PIN,DOWEL,10X14	2				
	92045	92045-0764	BEARING-BALL,63/32	1				
	92045A	92045-0765	BEARING-BALL,63/28	1				
	92045B	92045-0766	BEARING-BALL,6212	1				
	92045C	92045-0767	BEARING-BALL,6213	1				
	92045D	92045-0768	BEARING-BALL,6307C3	2				
	92045E	92045-0769	BEARING-BALL,B22-19C3 UR	1				
	92045F	92045-1364	BEARING-BALL,63/32C3	1				
	92046	92046-0612	BEARING-NEEDLE,BTM35.6	1				
	92049	92049-0749	SEAL-OIL	2				
	92049A	92049-1361	SEAL-OIL,TC32488	1				
	92051	92051-005	SEAL-OIL,TB13225.5	1				
	92055	92055-0782	RING-O,1.9X26.2	1				
	92055A	92055-1136	RING-O,25.7X2.4	1				
S	92065	92065-058	GASKET,10.5X16X1	2				
S	92065A	92065-097	GASKET,12X22X2	1				
	92066	92066-0012	PLUG,25X8	1				
S	92066A	92066-1174	PLUG,OIL DRAIN,12X15	1				
	92066B	92066-7014	PLUG	1				

S	130	130BA0855	BOLT-FLANGED,8X55	18				
	130A	130CA12150	BOLT-FLANGED,12X150	2				
S	132	132BA0612	BOLT-FLANGED-SMALL,6X12	4				
S	132A	132BA0616	BOLT-FLANGED-SMALL,6X16	1				
S	132B	132BA0835	BOLT-FLANGED-SMALL,8X35	5				
	551	551A0814	PIN-DOWEL,8X14	2				
	600	600A1000	BALL-STEEL,5/16	1				
	600A	600A1300	BALL-STEEL,13/32	1				
	671	671D2585	O RING	1				
S	92072	92072-1414	BAND,OS170-FT7(BLACK)	AR				
S	92072A	92072-3509	BAND,L=292.1	AR				
	92116	92116-0008	BEARING- ROLLER,HR32206JA LC	2				
	92145	92145-1589	SPRING	1				
	92145A	92145-1590	SPRING	1				
	92151	92151-1687	BOLT,CHANGE POSITION	1				
	92154	92154-1329	BOLT,FLANGED,10X25	3				
	92154A	92154-1332	BOLT,FLANGED,12X35	10				
	92154B	92154-1366	BOLT,CHANGE POSITION	1				
	92154C	92154-1740	BOLT,FLANGED,10X32	1				
	92171	92171-0453	CLAMP	1				
	92192	92192-1340	TUBE,BREATHER	1				



[Print](#)



Image / Parts Listing



Image



Parts Listing

SIDE X SIDE | KAF1000AHF (MULE PRO-DXT) | GEAR CHANGE MECHANISM

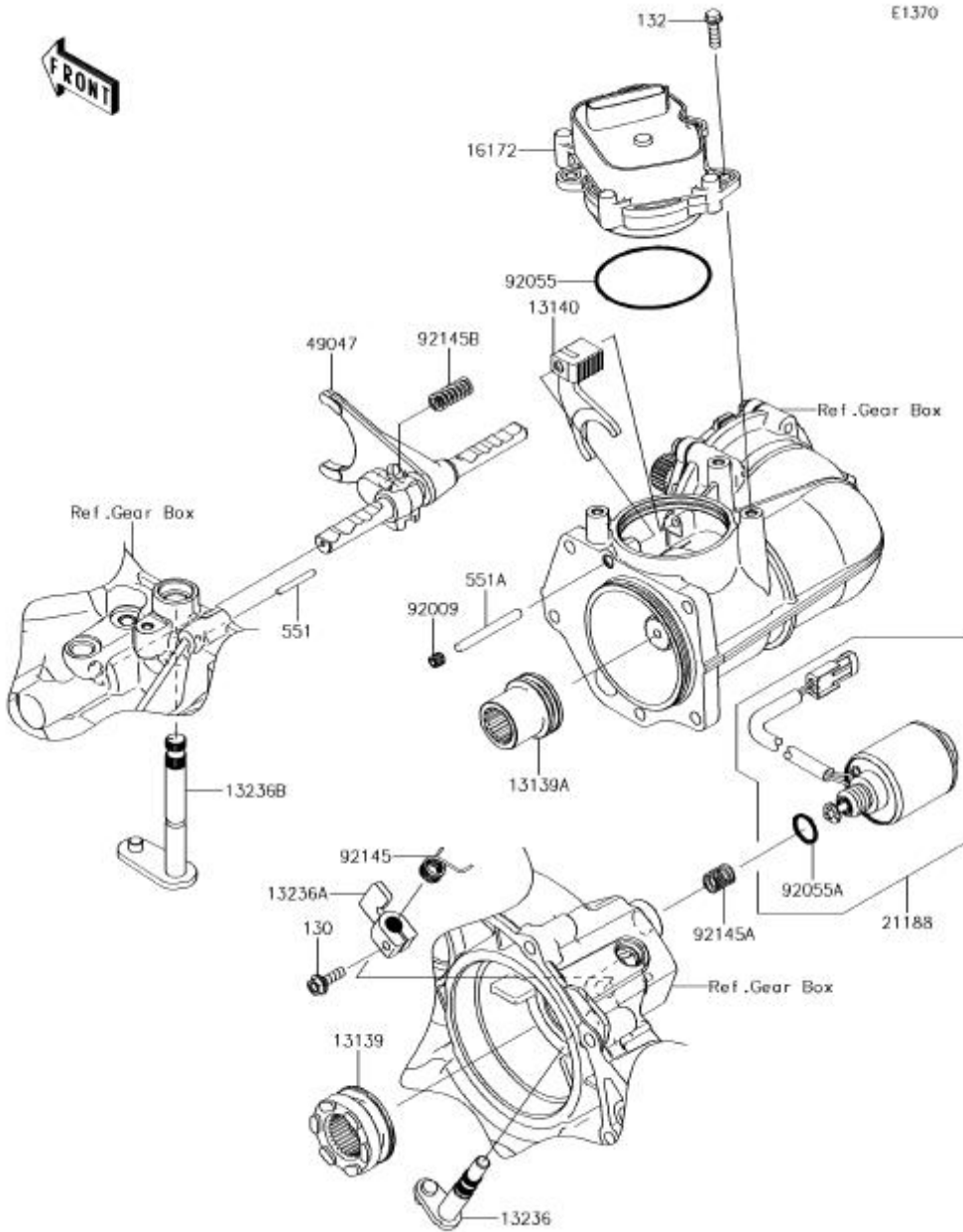


Illustration ©1966-2017 Kawasaki Motors Corp., U.S.A. All rights reserved.

SIDE X SIDE | KAF1000AHF (MULE PRO-DXT) | GEAR CHANGE MECHANISM

	REF NUMBER	PART NUMBER	DESCRIPTION	QUANTITY	US	CA	CN	REMARKS
S	130	130BA0620	BOLT-FLANGED,6X20	1				
	13139	13139-0019	SHIFTER	1				
	13139A	13139-0021	SHIFTER	1				
	13140	13140-0639	FORK-SHIFT	1				
S	132	132BA0620	BOLT-FLANGED-SMALL,6X20	3				
	13236	13236-0744	LEVER-COMP,DIFF LOCK	1				
	13236A	13236-0745	LEVER-COMP,DIFF LOCK	1				
	13236B	13236-0746	LEVER-COMP,CHANGE SHIFT	1				
	16172	16172-0030	ACTUATOR	1				
	21188	21188-0010	SOLENOID	1				
	49047	49047-0044	ROD-SHIFT	1				
	551	551A0432	PIN-DOWEL	1				
	551A	551A0656	PIN-DOWEL,6X56	1				
	92009	92009-1977	SCREW,SOCKET,8X8	1				
	92055	92055-0781	RING-O,1.9X71.8	1				
	92055A	92055-0829	RING-O	1				
	92145	92145-1572	SPRING	1				
	92145A	92145-1573	SPRING	1				
	92145B	92145-1574	SPRING	1				



[Print](#)



Image / Parts Listing



Image



Parts Listing

SIDE X SIDE | KAF1000AHF (MULE PRO-DXT) | GENERATOR

E1810

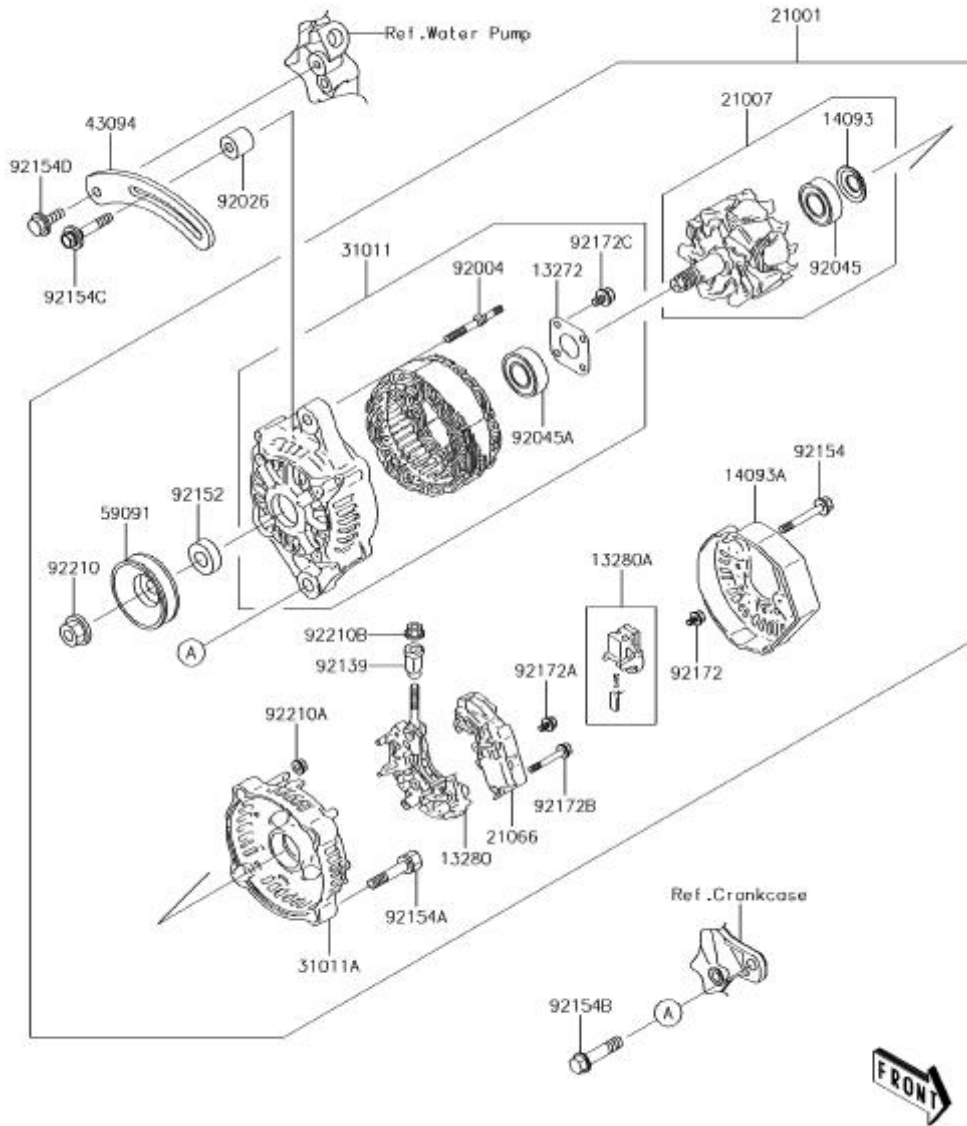


Illustration ©1966-2017 Kawasaki Motors Corp., U.S.A. All rights reserved.

SIDE X SIDE | KAF1000AHF (MULE PRO-DXT) | GENERATOR

	REF NUMBER	PART NUMBER	DESCRIPTION	QUANTITY	US	CA	CN	REMARKS
	13272	13272-2135	PLATE,RETAINER	1				
	13280	13280-0864	HOLDER	1				
	13280A	13280-0865	HOLDER,BRUSH	1				
	14093	14093-0450	COVER	1				
	14093A	14093-0451	COVER	1				
	21001	21001-0613	GENERATOR	1				
	21007	21007-0637	ROTOR	1				
	21066	21066-0749	REGULATOR-VOLTAGE	1				
	31011	31011-0027	FRAME	1				
	31011A	31011-0028	FRAME	1				
	43094	43094-0007	ADJUSTER	1				
	59091	59091-0015	PULLEY	1				
	92004	92004-0751	STUD	2				
	92026	92026-0821	SPACER	1				
	92045	92045-0812	BEARING-BALL	1				
	92045A	92045-0816	BEARING-BALL	1				
	92139	92139-0861	BUSHING	1				
	92152	92152-2198	COLLAR	1				
	92154	92154-2074	BOLT	3				
	92154A	92154-2075	BOLT	2				
	92154B	92154-2076	BOLT,FLANGED,10X45	1				
	92154C	92154-2077	BOLT	1				
	92154D	92154-2078	BOLT,FLANGED,8X20	1				
	92172	92172-0989	SCREW	6				
	92172A	92172-0990	SCREW	1				
	92172B	92172-0991	SCREW	2				
	92172C	92172-1096	SCREW	4				
	92210	92210-1474	NUT	1				
	92210A	92210-1475	NUT	2				
	92210B	92210-1476	NUT	1				

SIDE X SIDE | KAF1000AHF (MULE PRO-DXT) | GUARD(S)

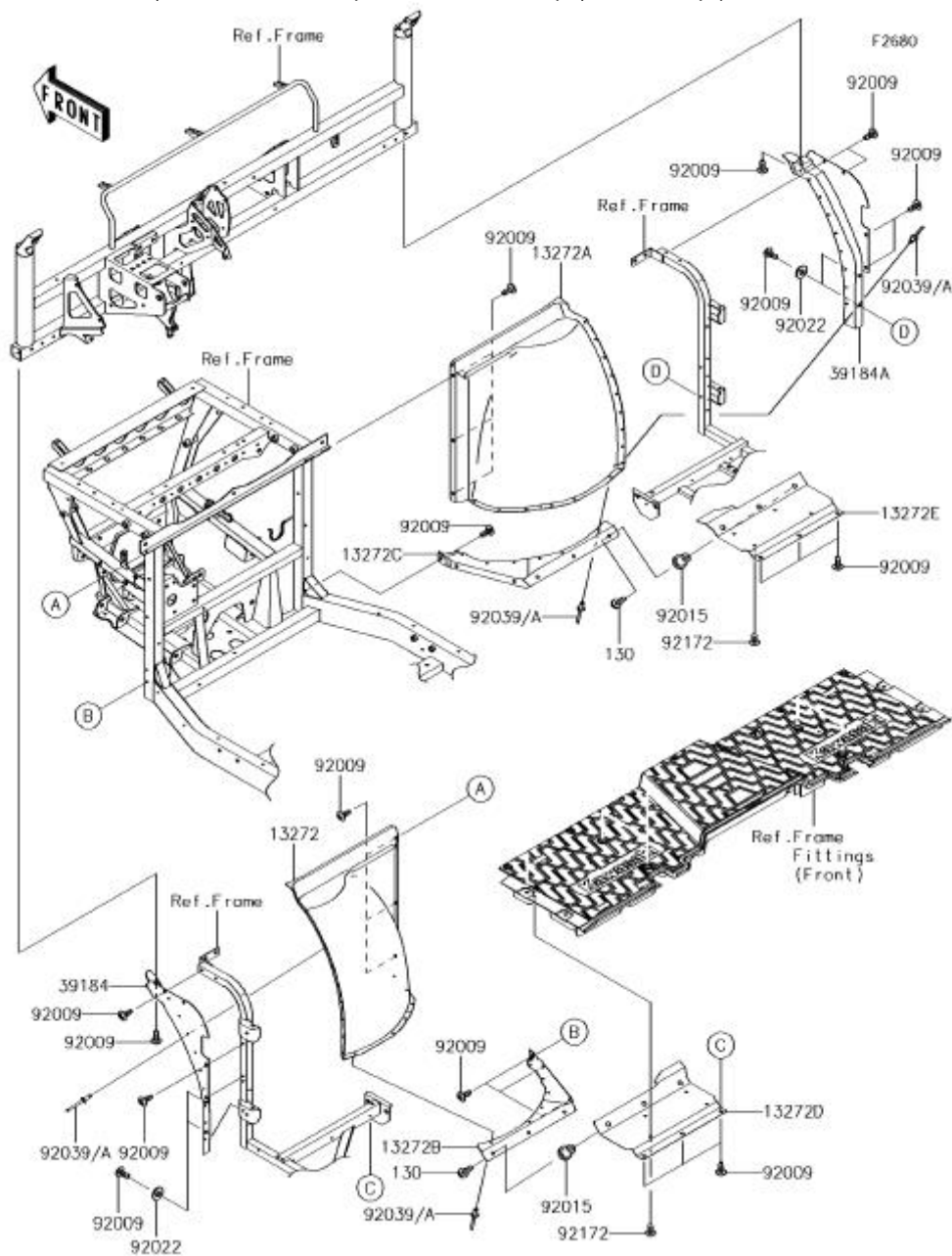


Illustration ©1966-2017 Kawasaki Motors Corp., U.S.A. All rights reserved.

SIDE X SIDE | KAF1000AHF (MULE PRO-DXT) | GUARD(S)

	REF NUMBER	PART NUMBER	DESCRIPTION	QUANTITY	US	CA	CN	REMARKS
S	130	130BA0620	BOLT-FLANGED,6X20	6				
	13272	13272-2323	PLATE	1				
	13272A	13272-2324	PLATE	1				
	13272B	13272-2327	PLATE	1				
	13272C	13272-2328	PLATE	1				
S	13272D	13272-2330	PLATE,UNDER GUARD,LH	1				
S	13272E	13272-2331	PLATE,UNDER GUARD,RH	1				
	39184	39184-0718	BRACKET-ASSY,SIDE,LH	1				
	39184A	39184-0719	BRACKET-ASSY,SIDE,RH	1				
	92009	92009-1166	SCREW,TAPPING,6X16	32				
S	92015	92015-1692	NUT,RUBBER,6MM	6				
	92022	92022-1533	WASHER,8.2X19X2	4				
	92039	92039-0778	RIVET	30				
S	92172	92172-0284	SCREW,6X16	8				

SIDE X SIDE | KAF1000AHF (MULE PRO-DXT) | GUARDS/CAB FRAME

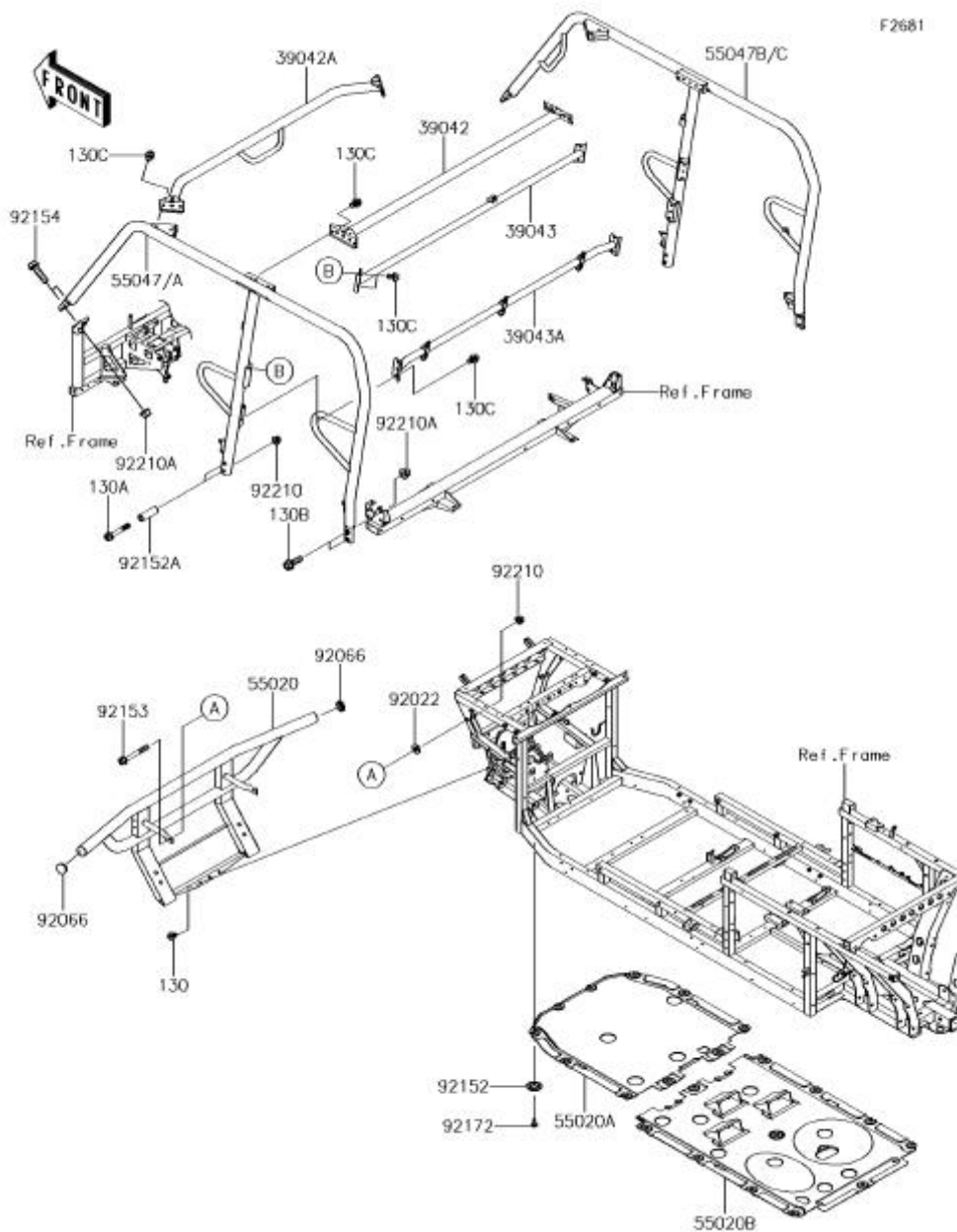





Illustration ©1966-2017 Kawasaki Motors Corp., U.S.A. All rights reserved.

SIDE X SIDE | KAF1000AHF (MULE PRO-DXT) | GUARDS/CAB FRAME

	REF NUMBER	PART NUMBER	DESCRIPTION	QUANTITY	US	CA	CN	REMARKS
	130	130BA0816	BOLT-FLANGED,8X16	3				
	130A	130BA1060	BOLT-FLANGED,10X60	4				
	130B	130BA1235	BOLT-FLANGED,12X35	4				
	130C	130CA1014	BOLT-FLANGED,10X14	20				
	39042	39042-0015-388	CROSSMEMBER,RR,T.BLACK	1				
	39042A	39042-0016-388	CROSSMEMBER,FR,T.BLACK	1				
	39043	39043-0016-388	CROSSMEMBER- COMP,B-P.,UPP,BLK	1				
	39043A	39043-0017-388	CROSSMEMBER- COMP,B-P.,LWR,BLK	1				
	55020	55020-0933-388	GUARD,FR PIPE,T.BLACK	1				
	55020A	55020-0934	GUARD,SKID PLATE	1				
	55020B	55020-0935	GUARD,SKID PLATE	1				
	55047	55047-0042-388	BAR-COMP,LH,T.BLACK	1				
	55047C	55047-0366-388	BAR-COMP,RH,T.BLACK	1				
	92022	92022-1365	WASHER,10X22X3	2				
	92066	92066-0769	PLUG	2				
	92152	92152-0784	COLLAR	21				
	92152A	92152-1800	COLLAR,10.5X16X47	4				
	92153	92153-1384	BOLT,FLANGED,10X75	2				
	92154	92154-1420	BOLT,FLANGED,12X45	4				
	92172	92172-0739	SCREW,TAPPING,6X16	21				
	92210	92210-0276	NUT,LOCK,FLANGED,10MM	6				
	92210A	92210-0603	NUT,12MM	8				



[Print](#)



Image / Parts Listing



Image



Parts Listing

SIDE X SIDE | KAF1000AHF (MULE PRO-DXT) | HEADLIGHT(S)

F2710

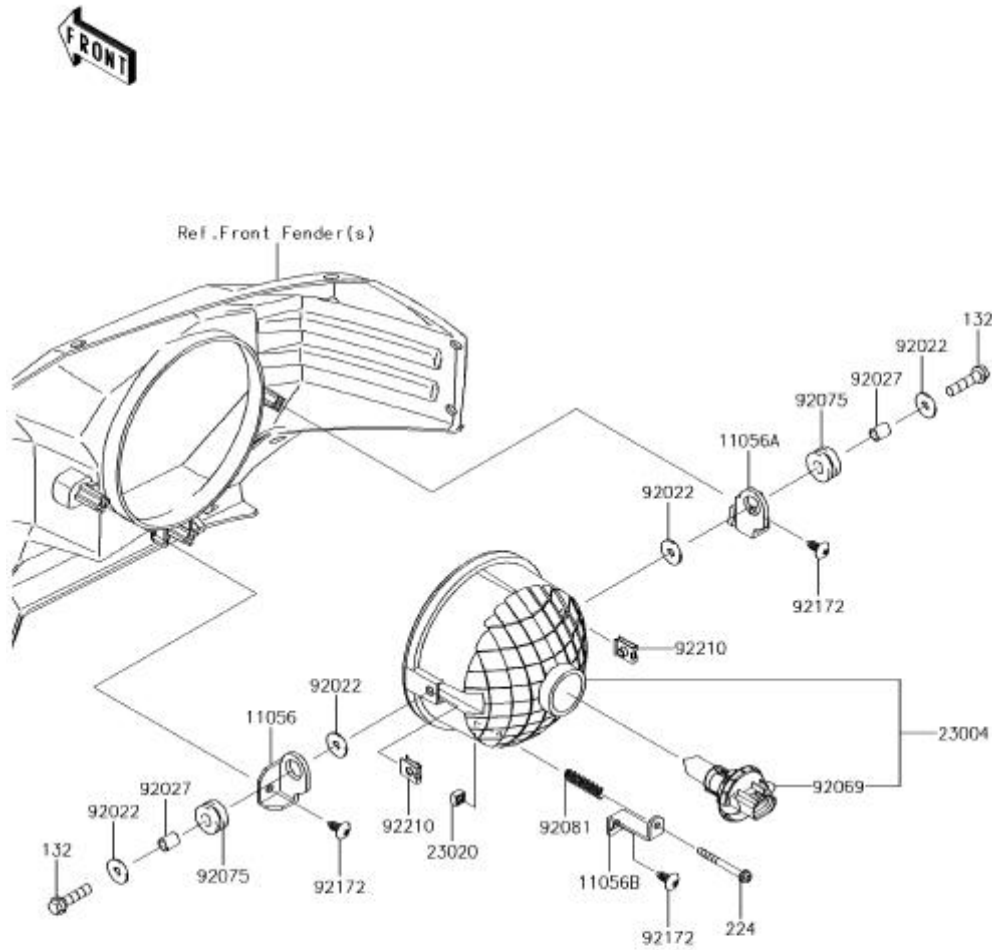


Illustration ©1966-2017 Kawasaki Motors Corp., U.S.A. All rights reserved.

SIDE X SIDE | KAF1000AHF (MULE PRO-DXT) | HEADLIGHT(S)

	REF NUMBER	PART NUMBER	DESCRIPTION	QUANTITY	US	CA	CN	REMARKS
	11056	11056-2931	BRACKET,LH	2				
	11056A	11056-2932	BRACKET,RH	2				
	11056B	11056-2933	BRACKET	2				
S	132	132BA0625	BOLT-FLANGED-SMALL,6X25	4				
	224	224AA0440	SCREW-PAN-WP-CROS	2				
	23004	23004-0339	LAMP-HEAD	2				
	23020	23020-018	NUT,4MM,FOCUS ADJUST	2				
S	92022	92022-125	WASHER,6.5X20X1.6	8				
S	92027	92027-162	COLLAR,6.8X10X12	4				
	92069	92069-0082	BULB,H13-12-8V	2				
	92075	92075-1690	DAMPER,10X24X12	4				
	92081	92081-1896	SPRING,FOCUS ADJUST	2				
S	92172	92172-0284	SCREW,6X16	6				
	92210	92210-1125	NUT	4				

SIDE X SIDE | KAF1000AHF (MULE PRO-DXT) | IGNITION SWITCH

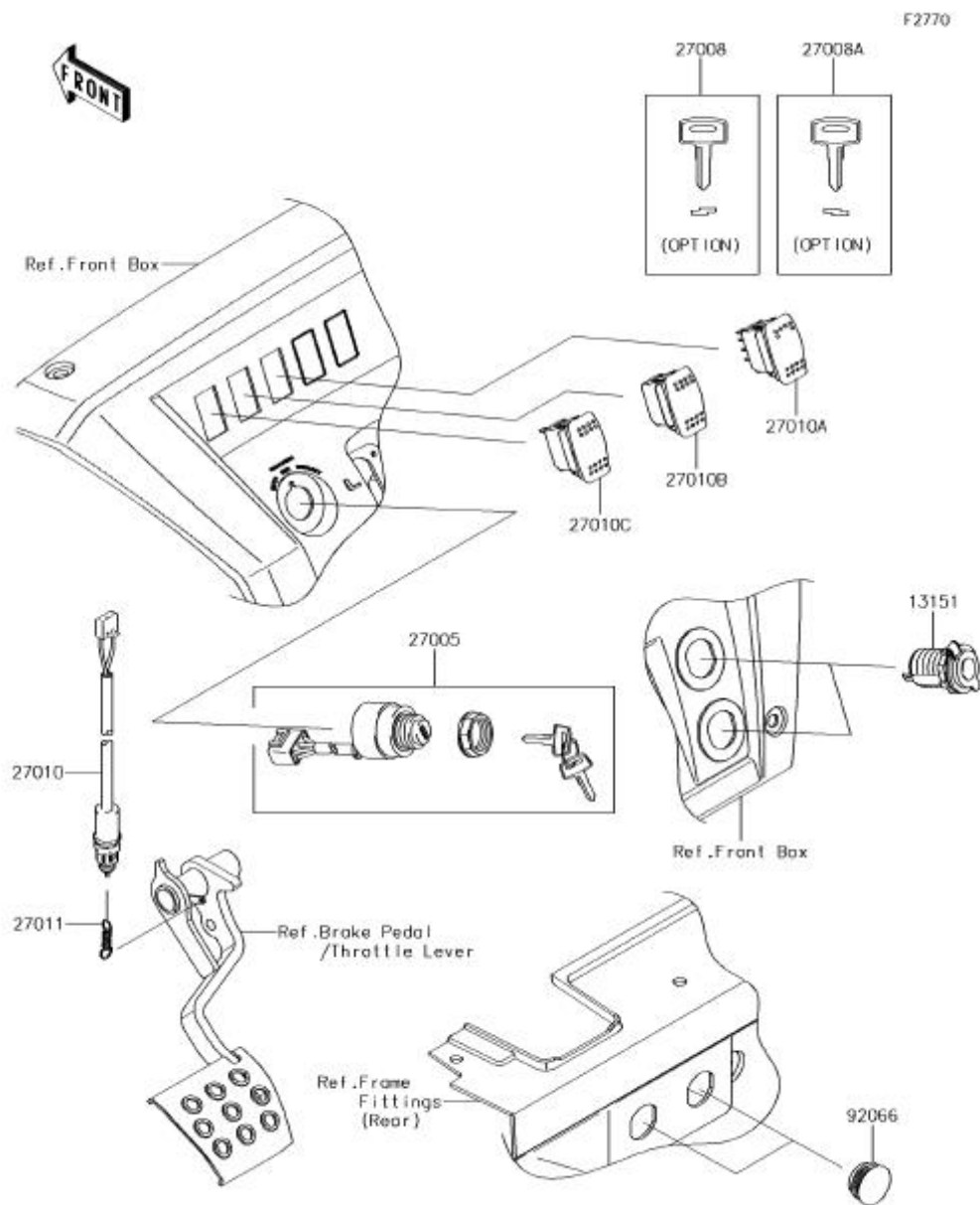






Illustration ©1966-2017 Kawasaki Motors Corp., U.S.A. All rights reserved.

SIDE X SIDE | KAF1000AHF (MULE PRO-DXT) | IGNITION SWITCH

	REF NUMBER	PART NUMBER	DESCRIPTION	QUANTITY	US	CA	CN	REMARKS
	13151	13151-0556	SWITCH-COMP,OUTLET,12V	2				
	27005	27005-0585	SWITCH-ASSY-IGNITION	1				
	27008	27008-1153	KEY-LOCK,BLANK	1				(OPTION)
	27008A	27008-1157	KEY-LOCK,BLANK	1				(OPTION)
	27010	27010-0724	SWITCH,BRAKE	1				
	27010A	27010-0750	SWITCH,HEAD LAMP	1				
	27010B	27010-0751	SWITCH,2WD/4WD	1				
	27010C	27010-0810	SWITCH,DIFF LOCK	1				
	27011	27011-006	SPRING,BRAKE LAMP SWITCH	1				
	92066	92066-0794	PLUG,D.C. SOCKET	2				

SIDE X SIDE | KAF1000AHF (MULE PRO-DXT) | LABELS

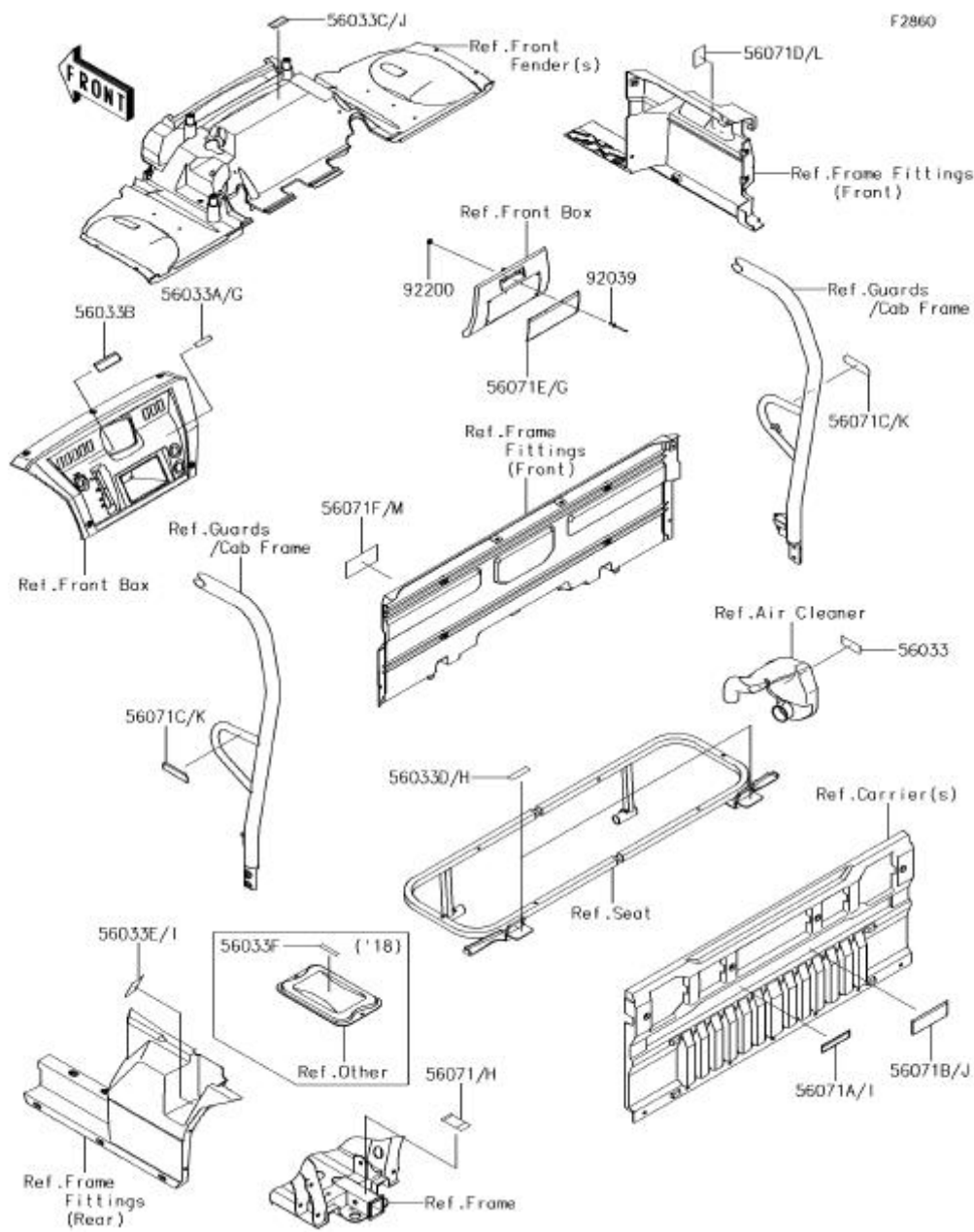


Illustration ©1966-2017 Kawasaki Motors Corp., U.S.A. All rights reserved.

SIDE X SIDE | KAF1000AHF (MULE PRO-DXT) | LABELS

	REF NUMBER	PART NUMBER	DESCRIPTION	QUANTITY	US	CA	CN	REMARKS
	56033	56033-0724	LABEL-MANUAL,AIR CLEANER	1				
	56033A	56033-0814	LABEL-MANUAL,DC OUTLET	1				
	56033B	56033-0822	LABEL-MANUAL,SHIFT NOTICE	1				
	56033C	56033-0825	LABEL-MANUAL,FRONT HOOD	1				
	56033D	56033-0829	LABEL-MANUAL,REAR SEAT	2				
	56033E	56033-0831	LABEL-MANUAL,DRIVE BELT	1				
	56071	56071-0436	LABEL-WARNING,TRAILER HITCH	1				
	56071A	56071-0471	LABEL-WARNING,SCREEN OPERATION	1				
	56071B	56071-0478	LABEL-WARNING,CARGO CAPA.	1				
	56071C	56071-0494	LABEL-WARNING,BED OPERATION	2				
	56071D	56071-0542	LABEL-WARNING,DIESEL	1				
	56071E	56071-0650	LABEL-WARNING,GENERAL	1				
	56071F	56071-0685	LABEL-WARNING,TIRE&LOAD	1				
	92039	92039-3763	RIVET,3.2X8	6				
	92200	92200-1251	WASHER,3.5X8X1	6				

SIDE X SIDE | KAF1000AHF (MULE PRO-DXT) | MASTER CYLINDER

	REF NUMBER	PART NUMBER	DESCRIPTION	QUANTITY	US	CA	CN	REMARKS
S	130	130BA0612	BOLT-FLANGED,6X12	6				
S	130A	130BA0830	BOLT-FLANGED,8X30	1				
S	130B	130BA0855	BOLT-FLANGED,8X55	2				
	14075	14075-0038	CAP-ASSY	1				
	14093	14093-0044	COVER,M/C BODY	1				
S	39092	39092-1052	PIN-HAIR	2				
	39184	39184-0031	BRACKET-ASSY	1				
	43015	43015-0595	CYLINDER-ASSY-MASTER	1				
	43060	43060-0317	PIPE-BRAKE	1				
	43060A	43060-0318	PIPE-BRAKE,LH	1				
	43060B	43060-0319	PIPE-BRAKE,RH	1				
	43061	43061-0302	JOINT-BRAKE,M/C	1				
	43061A	43061-1063	JOINT-BRAKE	1				
	43095	43095-0807	HOSE-BRAKE,661MM	1				
	43095A	43095-0808	HOSE-BRAKE,1011MM	1				
	43095B	43095-0809	HOSE-BRAKE,847MM	1				
	43095C	43095-0810	HOSE-BRAKE,767MM	1				
S	49091	49091-0001	WASHER-SEAL,10.1X14.5X1.5	12				
S	92072	92072-1414	BAND,OS170-FT7(BLACK)	11				
	92154	92154-1328	BOLT,HEXALOBULAR,10X21	4				
	92154A	92154-1398	BOLT,OIL,10X34.5	1				
	92173	92173-1215	CLAMP	2				
	92173A	92173-1216	CLAMP	2				
	92173B	92173-1217	CLAMP	1				
	92173C	92173-1218	CLAMP	1				



[Print](#)



Image / Parts Listing



Image



Parts Listing

SIDE X SIDE | KAF1000AHF (MULE PRO-DXT) | METER(S)

F2530

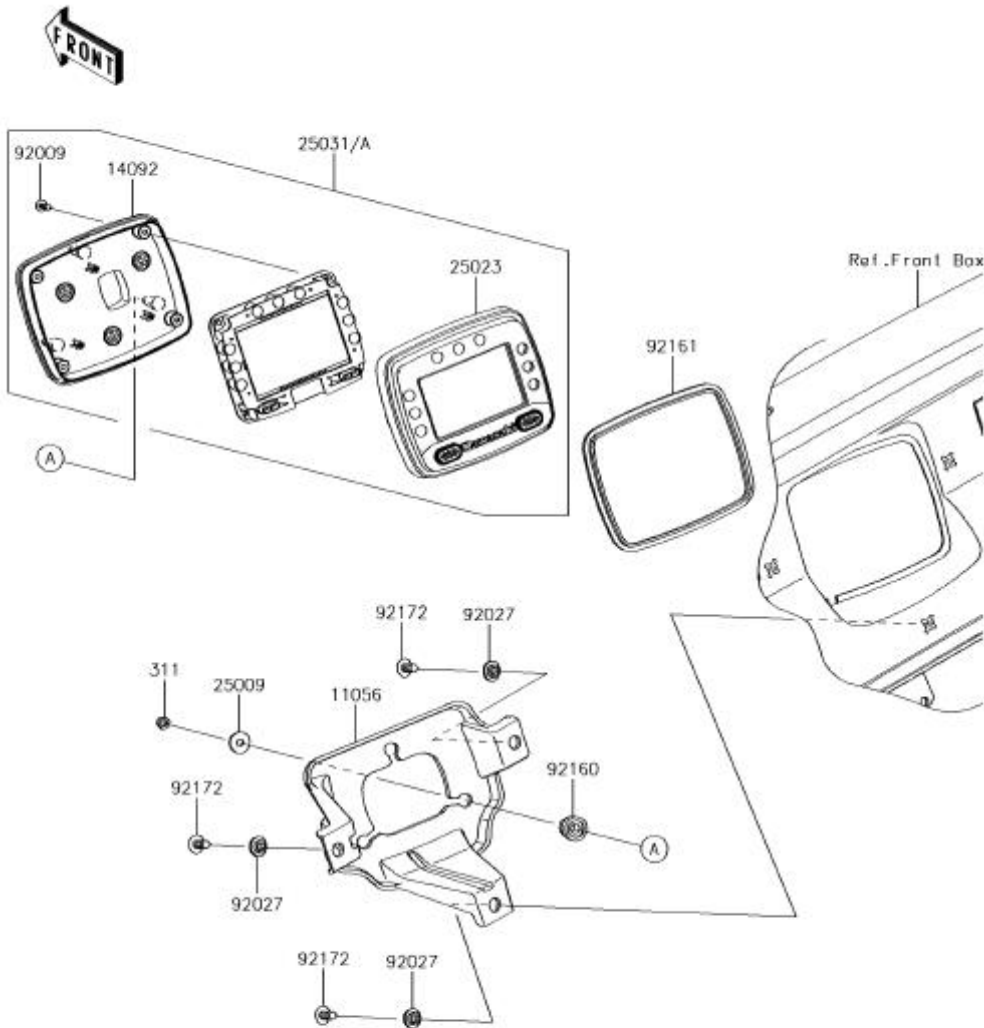




Illustration ©1966-2017 Kawasaki Motors Corp., U.S.A. All rights reserved.

SIDE X SIDE | KAF1000AHF (MULE PRO-DXT) | METER(S)

	REF NUMBER	PART NUMBER	DESCRIPTION	QUANTITY	US	CA	CN	REMARKS
	11056	11056-2956	BRACKET,METER	1				
	14092	14092-0834	COVER,METER,LWR	1				
	25009	25009-004	WASHER,5.2X16X1.2	3				
	25023	25023-0075	COVER-METER CASE,UPP	1				
	25031	25031-0629	METER-ASSY,LCD	1				
	311	311AB0500	NUT-HEX,5MM	3				
	92009	92009-1255	SCREW,TAPPING,3X12	4				
	92027	92027-1168	COLLAR,L=4.6	3				
	92160	92160-1460	DAMPER	3				
	92161	92161-0906	DAMPER,METER	1				
	92172	92172-0284	SCREW,6X16	3				

SIDE X SIDE | KAF1000AHF (MULE PRO-DXT) | MUFFLER(S)

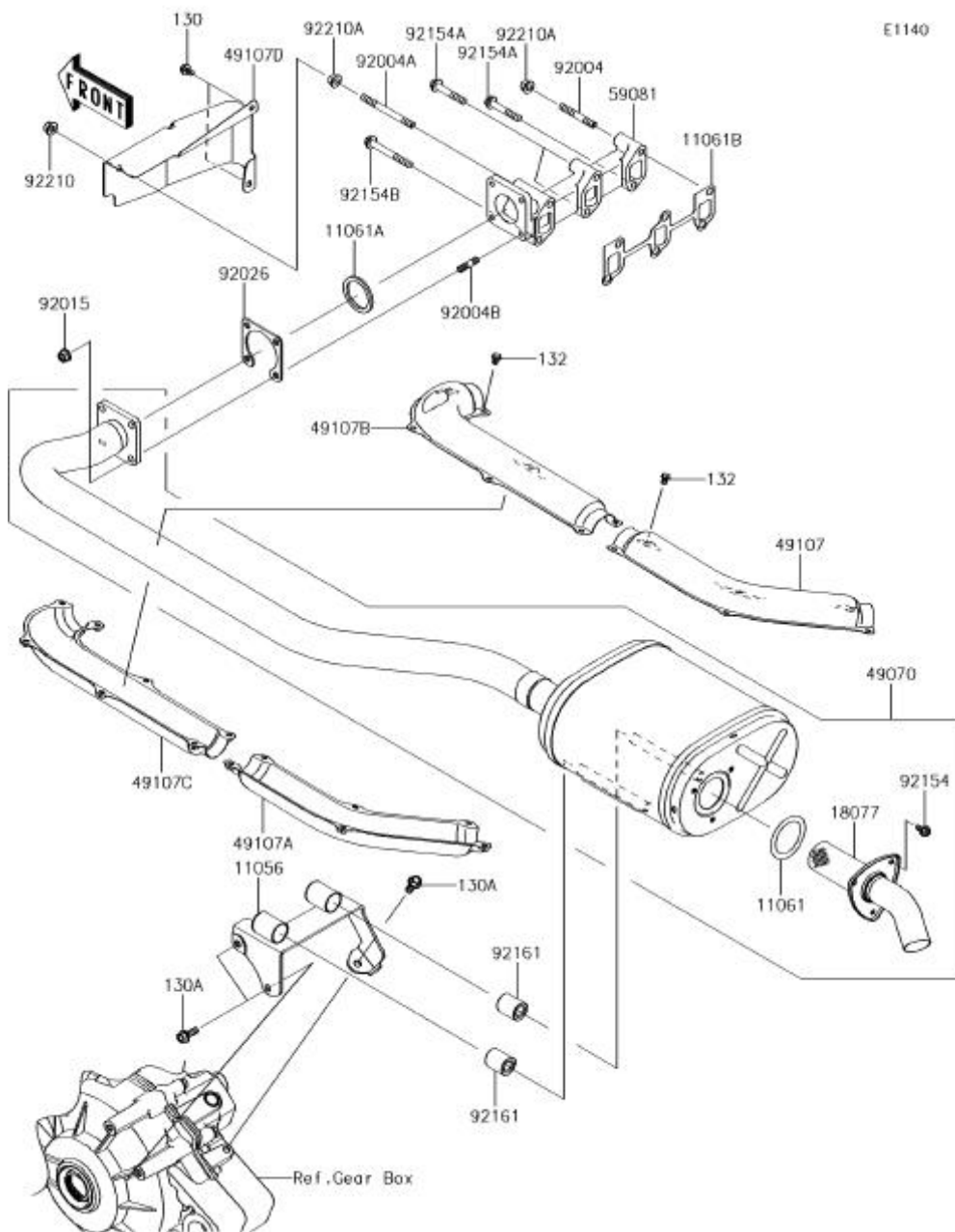





Illustration ©1966-2017 Kawasaki Motors Corp., U.S.A. All rights reserved.

SIDE X SIDE | KAF1000AHF (MULE PRO-DXT) | MUFFLER(S)

	REF NUMBER	PART NUMBER	DESCRIPTION	QUANTITY	US	CA	CN	REMARKS
	11056	11056-7806	BRACKET,MUFFLER MOUNT	1				
	11061	11061-0013	GASKET,EXHAUST PIPE	1				
	11061A	11061-0989	GASKET,EXHAUST HOLDER	1				
	11061B	11061-1194	GASKET,EXHAUST MANIFOLD	1				
	130	130BA0610	BOLT-FLANGED,6X10	2				
	130A	130BA0820	BOLT-FLANGED,8X20	3				
	132	132BD0608	BOLT-FLANGED-SMALL,6X8	13				
	18077	18077-0040	ARRESTER-SPARK	1				
	49070	49070-0804	MUFFLER-COMP	1				
	49107	49107-0771	COVER-EXHAUST PIPE,RR,UPP	1				
	49107A	49107-0772	COVER-EXHAUST PIPE,RR,LWR	1				
	49107B	49107-0773	COVER-EXHAUST PIPE,FR,UPP	1				
	49107C	49107-0774	COVER-EXHAUST PIPE,FR,LWR	1				
	49107D	49107-0786	COVER-EXHAUST PIPE	1				
	59081	59081-0295	MANIFOLD-EXHAUST	1				
	92004	92004-0746	STUD,8X50	1				
	92004A	92004-0747	STUD,8X80	1				
	92004B	92004-0748	STUD,8X22	4				
	92015	92015-1402	NUT,8MM	4				
	92026	92026-0817	SPACER	1				
	92154	92154-0852	BOLT,FLANGED,6X12	3				
	92154A	92154-1990	BOLT,FLANGED,8X50	3				
	92154B	92154-1991	BOLT,FLANGED,8X71	1				
	92161	92161-0961	DAMPER	2				
	92210	92210-1456	NUT,8MM	1				
	92210A	92210-1473	NUT,8MM	2				

SIDE X SIDE | KAF1000AHF (MULE PRO-DXT) | OIL PAN/OIL FILTER

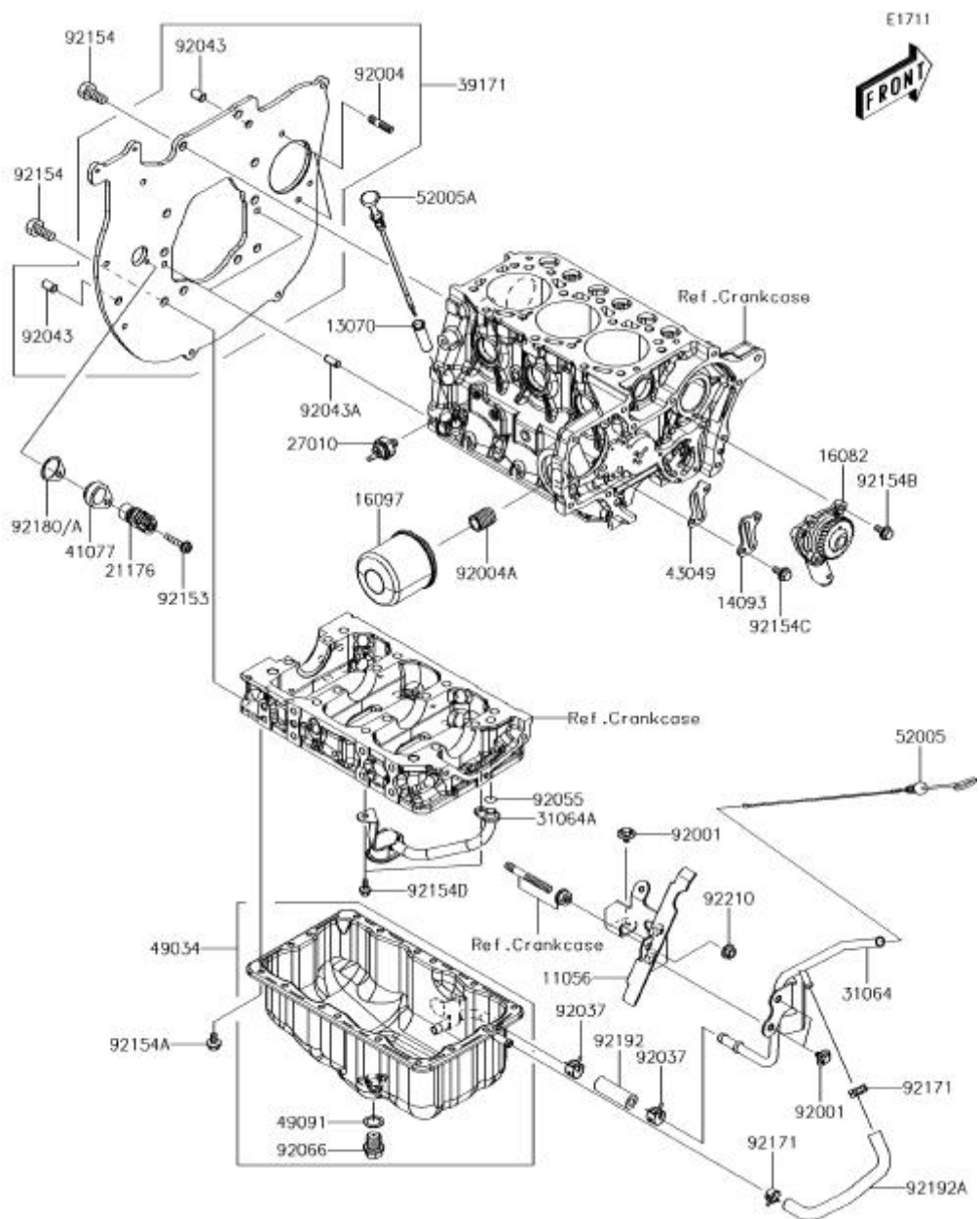


Illustration ©1966-2017 Kawasaki Motors Corp., U.S.A. All rights reserved.

SIDE X SIDE | KAF1000AHF (MULE PRO-DXT) | OIL PAN/OIL FILTER

	REF NUMBER	PART NUMBER	DESCRIPTION	QUANTITY	US	CA	CN	REMARKS
	11056	11056-7693	BRACKET,LEVEL GAUGE PIPE	1				
	13070	13070-0830	GUIDE,OIL LEVEL GAUGE	1				
	14093	14093-0445	COVER	1				
	16082	16082-0763	PUMP-ASSY-OIL	1				
	16097	16097-0012	FILTER-ASSY-OIL	1				
	21176	21176-0767	SENSOR,ROTATION	1				
	27010	27010-0838	SWITCH,OIL PRESSURE	1				
	31064	31064-0677	PIPE-COMP,LEVEL GAUGE	1				
	31064A	31064-0679	PIPE-COMP,OIL	1				
	39171	39171-0003	FLANGE-COMP	1				
	41077	41077-0722	ADAPTER,ROTATION SENSOR	1				
	43049	43049-0039	PACKING	1				
	49034	49034-0566	PAN-OIL	1				
	49091	49091-0006	WASHER-SEAL	1				
	52005	52005-0754	GAUGE,OIL LEVEL	1				
	52005A	52005-0759	GAUGE,OIL LEVEL	1				
	92001	92001-1034	BOLT,FLANGED,6X10	3				
	92004	92004-0745	STUD,8X25	2				
	92004A	92004-0749	STUD	1				
	92037	92037-1678	CLAMP	2				
	92043	92043-0885	PIN,10X16	2				
	92043A	92043-0886	PIN,8X16	2				
	92055	92055-0857	RING-O	1				
	92066	92066-0851	PLUG,DRAIN	1				
	92153	92153-1425	BOLT,FLANGED,6X30	1				
	92154	92154-1985	BOLT,10X20	9				
	92154A	92154-1986	BOLT,TORX,6X10	16				
	92154B	92154-1997	BOLT,FLANGED,6X14	3				
	92154C	92154-1998	BOLT,FLANGED,6X12	2				
	92154D	92154-2068	BOLT,FLANGED,6X10	2				
	92171	92171-0372	CLAMP,CLIP,12.5MM	2				
	92180	92180-0968	SHIM,T=1.0	AR				
	92180A	92180-0969	SHIM,T=0.5	AR				
	92192	92192-1482	TUBE,9X17.5X52	1				
	92192A	92192-1501	TUBE,PIPE COMP-OIL PAN	1				
	92210	92210-0555	NUT,FLANGED,8MM	1				



[Print](#)



Image / Parts Listing



Image



Parts Listing

SIDE X SIDE | KAF1000AHF (MULE PRO-DXT) | OPTIONAL PARTS

F2890



(Ref. Drive Converter)

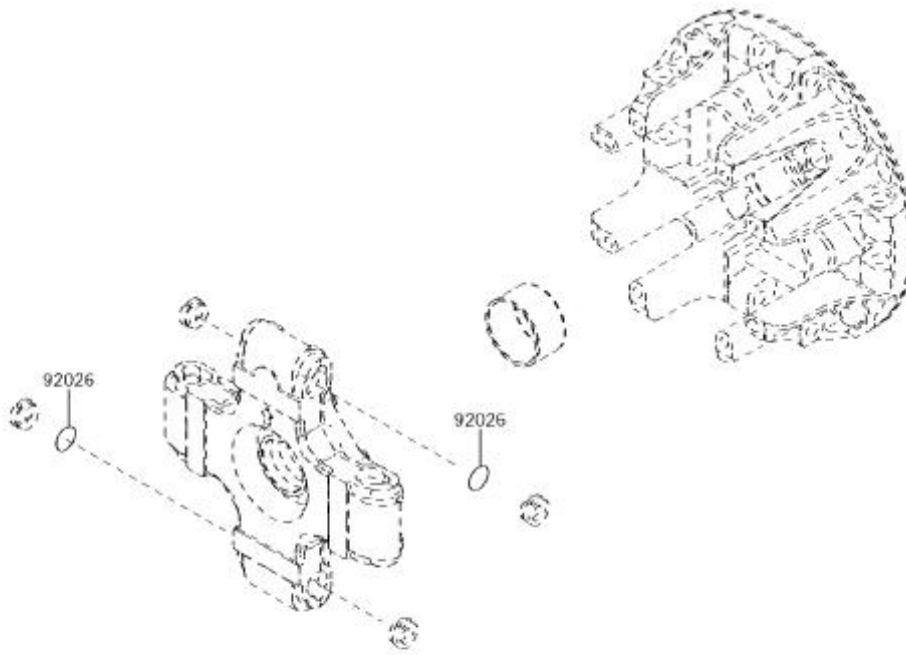


Illustration ©1966-2017 Kawasaki Motors Corp., U.S.A. All rights reserved.

SIDE X SIDE | KAF1000AHF (MULE PRO-DXT) | OPTIONAL PARTS

	REF NUMBER	PART NUMBER	DESCRIPTION	QUANTITY	US	CA	CN	REMARKS
	92026	92026-0038	SPACER,T=0.1	2				(OPTION)



Print



Image / Parts Listing



Image



Parts Listing

SIDE X SIDE | KAF1000AHF (MULE PRO-DXT) | RADIATOR

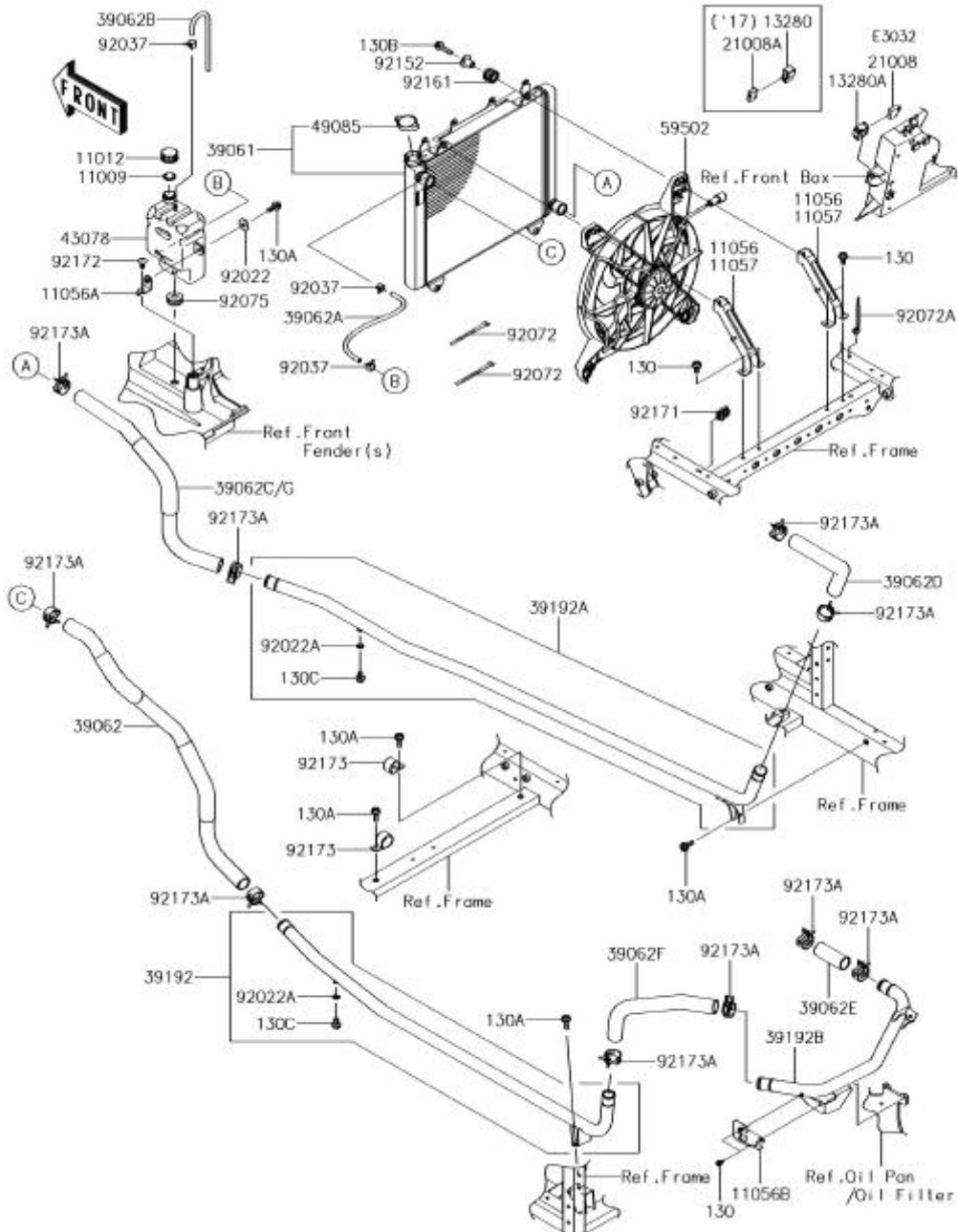


Illustration ©1966-2017 Kawasaki Motors Corp., U.S.A. All rights reserved.

SIDE X SIDE | KAF1000AHF (MULE PRO-DXT) | RADIATOR

	REF NUMBER	PART NUMBER	DESCRIPTION	QUANTITY	US	CA	CN	REMARKS
	11009	11009-1145	GASKET,RESERVOIR TANK CAP	1				
	11012	11012-1084	CAP	1				
	11056	11056-2833	BRACKET,RADIATOR	2				
	11056A	11056-3856	BRACKET,RESERVOIR	1				
	11056B	11056-7479	BRACKET,HARNESS	1				
S	130	130BA0612	BOLT-FLANGED,6X12	6				
S	130A	130BA0616	BOLT-FLANGED,6X16	5				
S	130B	130BA0625	BOLT-FLANGED,6X25	4				
	13280	13280-0082	HOLDER,BREAKER	1				
	21008A	21008-0554	BREAKER,RAD. FAN,20A	1				
	39061	39061-0706	RADIATOR-ASSY	1				
	39062	39062-0650	HOSE-COOLING,RADIATOR IN	1				
	39062A	39062-0657	HOSE-COOLING,RAD.-RESERVOIR	1				
	39062B	39062-0696	HOSE-COOLING,OVER FLOW	1				
	39062C	39062-0697	HOSE-COOLING,RADIATOR OUT	1				
	39062D	39062-0713	HOSE-COOLING,ENGINE IN	1				
	39062E	39062-0714	HOSE-COOLING,ENGINE OUT	1				
	39062F	39062-0715	HOSE-COOLING,ENGINE OUT	1				
	39192	39192-0575	PIPE-WATER,LH	1				
	39192A	39192-0591	PIPE-WATER,RH	1				
	39192B	39192-0593	PIPE-WATER,CNT	1				
	43078	43078-0571	RESERVOIR	1				
	49085	49085-0005	CAP-ASSY-PRESSURE	1				
	59502	59502-0609	FAN-ASSY	1				
	92022	92022-165	WASHER,PLAIN,6MM	1				
	92022A	92022-304	WASHER,6.2X11X1	2				
	92037	92037-1461	CLAMP,TUBE	3				
	92072	92072-030	BAND,L=123	2				
S	92072A	92072-1414	BAND,OS170-FT7(BLACK)	1				
	92075	92075-1185	DAMPER	1				
	92152	92152-1512	COLLAR	4				
	92161	92161-1349	DAMPER	4				
	92171	92171-0453	CLAMP	1				
S	92172	92172-0284	SCREW,6X16	1				
	92173	92173-1204	CLAMP	2				
	92173A	92173-1205	CLAMP,28.6MM	10				
S	130C	130BB0610	BOLT-FLANGED,6X10	2				

SIDE X SIDE | KAF1000AHF (MULE PRO-DXT) | REAR BRAKE

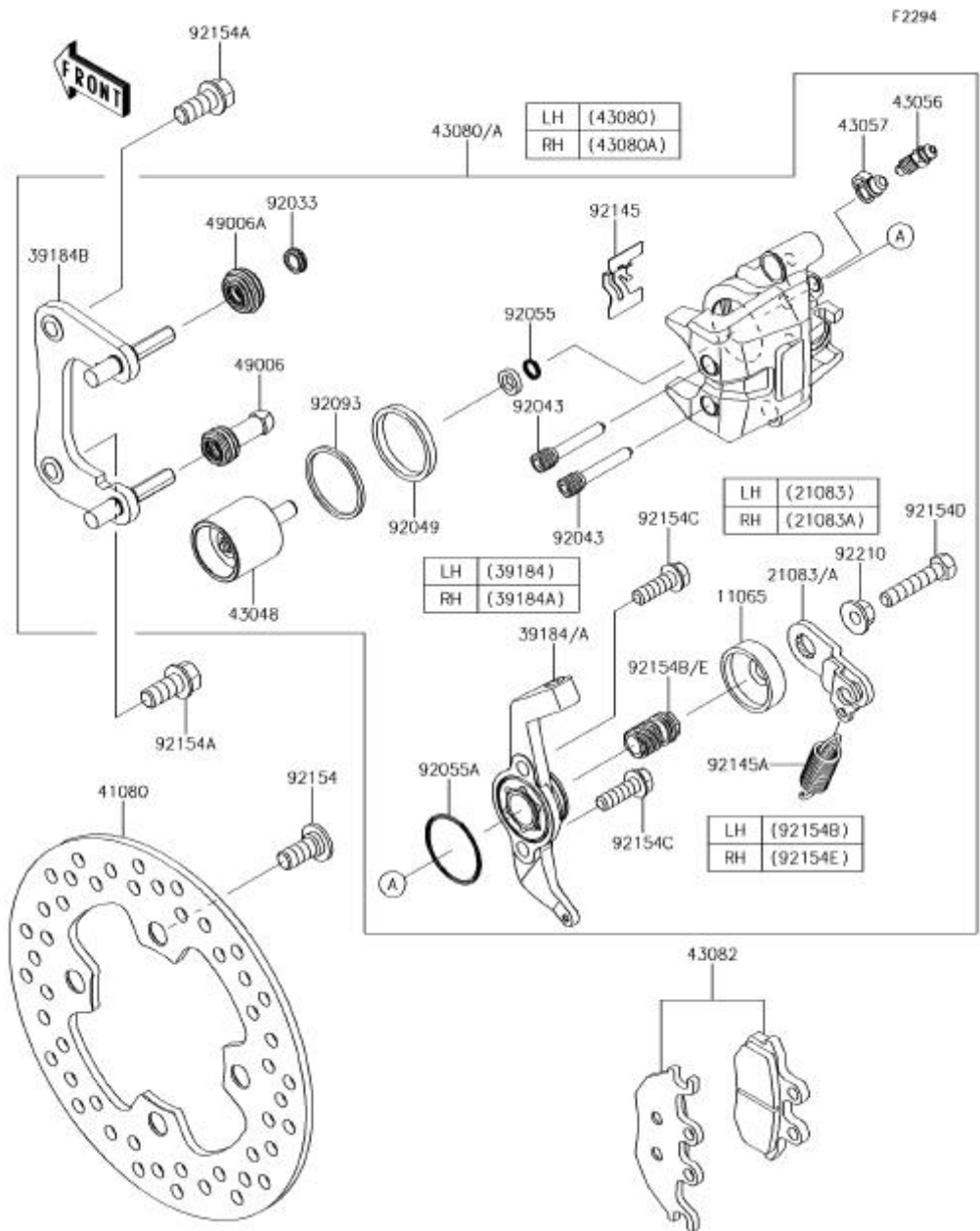


Illustration ©1966-2017 Kawasaki Motors Corp., U.S.A. All rights reserved.

SIDE X SIDE | KAF1000AHF (MULE PRO-DXT) | REAR BRAKE

	REF NUMBER	PART NUMBER	DESCRIPTION	QUANTITY	US	CA	CN	REMARKS
	11065	11065-0870	CAP	2				
	21083	21083-0728	ARM,BRAKE,RR,LH	1				
	21083A	21083-0729	ARM,BRAKE,RR,RH	1				
	39184	39184-0042	BRACKET-ASSY,LH	1				
	39184A	39184-0043	BRACKET-ASSY,RH	1				
S	39184B	39184-0044	BRACKET-ASSY	2				
	41080	41080-0608	DISC	2				
S	43048	43048-0027	PISTON-CALIPER	2				
	43056	43056-0010	BREATHER-BRAKE	2				
	43057	43057-0552	CAP-BREATHER	2				
	43080	43080-0163	CALIPER-SUB-ASSY,RR,LH	1				
	43080A	43080-0164	CALIPER-SUB-ASSY,RR,RH	1				
	43082	43082-0140	PAD-ASSY-BRAKE	2				
S	49006	49006-0591	BOOT	2				
S	49006A	49006-0592	BOOT	2				
	92033	92033-0749	RING-SNAP	2				
	92043	92043-0818	PIN	4				
S	92049	92049-0765	SEAL-OIL	2				
	92055	92055-0793	RING-O	2				
	92055A	92055-0795	RING-O	2				
S	92093	92093-0613	SEAL	2				
S	92145	92145-1619	SPRING	2				
	92145A	92145-1690	SPRING,RETURN,47MM	2				
	92154	92154-0713	BOLT,SOCKET,10X23	8				
	92154A	92154-1327	BOLT,FLANGED,10X22	4				
	92154B	92154-1479	BOLT,LH	1				
S	92154C	92154-1480	BOLT	4				
	92154D	92154-1481	BOLT	2				
	92154E	92154-1503	BOLT,RH	1				
	92210	92210-0912	NUT	2				



[Print](#)



Image / Parts Listing



Image



Parts Listing

SIDE X SIDE | KAF1000AHF (MULE PRO-DXT) | REAR HUBS/BRAKES

F2240

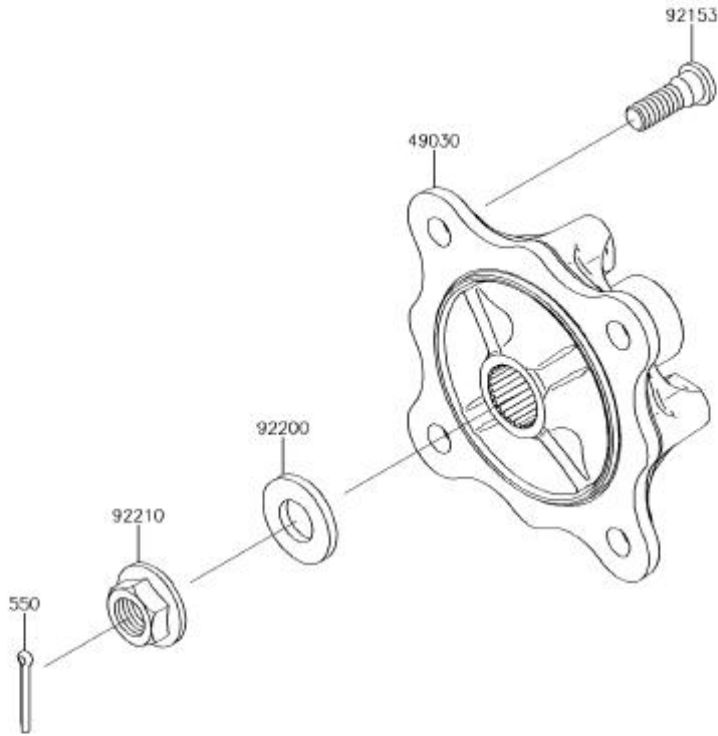


Illustration ©1966-2017 Kawasaki Motors Corp., U.S.A. All rights reserved.

SIDE X SIDE | KAF1000AHF (MULE PRO-DXT) | REAR HUBS/BRAKES

	REF NUMBER	PART NUMBER	DESCRIPTION	QUANTITY	US	CA	CN	REMARKS
	49030	49030-0049	HUB,RR	2				
	550	550AA4030	PIN-COTTER,4.0X30	2				
	92153	92153-1915	BOLT,12MM	8				
	92200	92200-0921	WASHER,20.3X41X4.5	2				
	92210	92210-2093	NUT,FLANGED,20MM	2				

SIDE X SIDE | KAF1000AHF (MULE PRO-DXT) | REAR SUSPENSION

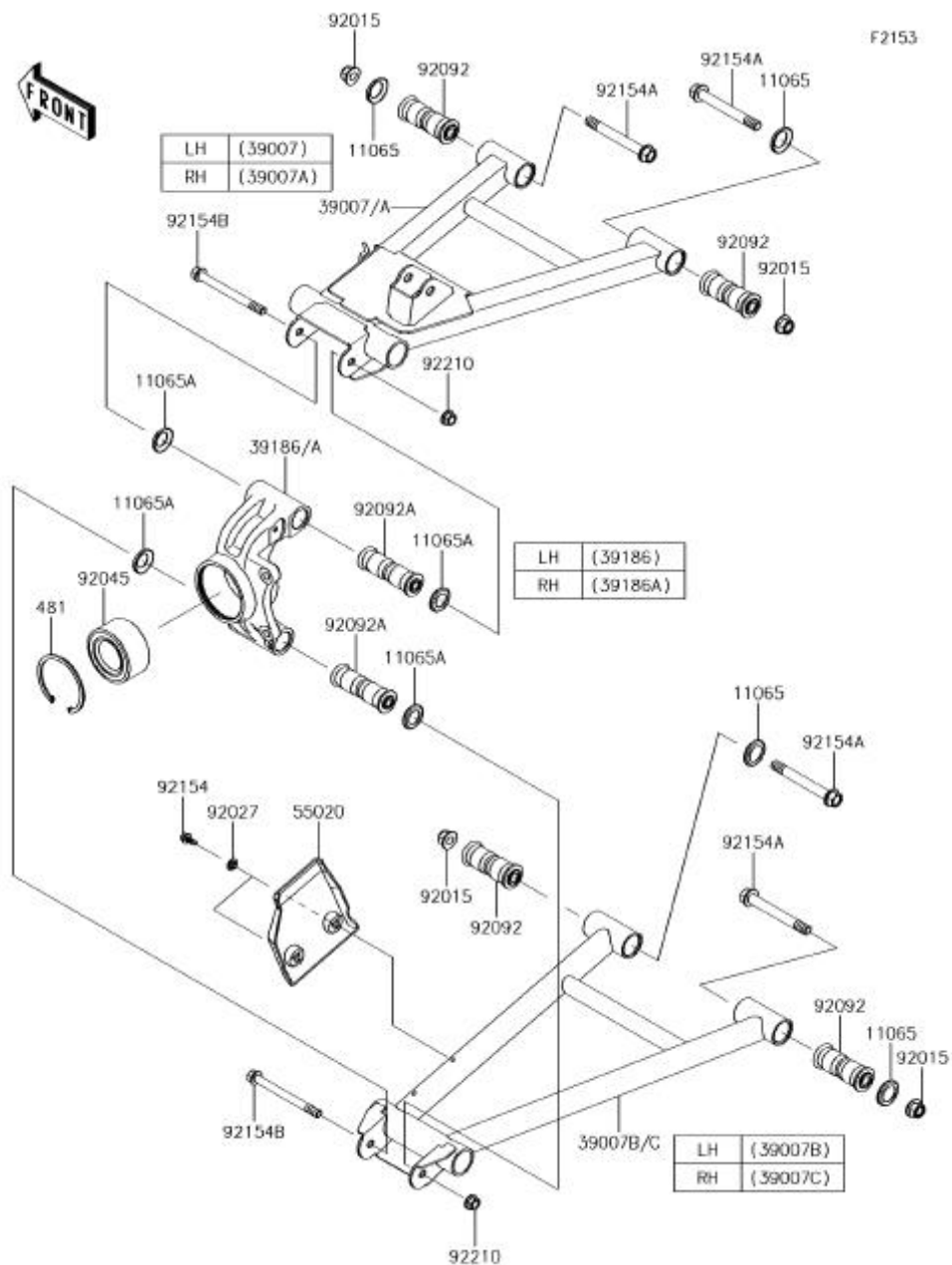


Illustration ©1966-2017 Kawasaki Motors Corp., U.S.A. All rights reserved.

SIDE X SIDE | KAF1000AHF (MULE PRO-DXT) | REAR SUSPENSION

	REF NUMBER	PART NUMBER	DESCRIPTION	QUANTITY	US	CA	CN	REMARKS
	11065	11065-0838	CAP,ARM	8				
	11065A	11065-0849	CAP	8				
	39007	39007-0379	ARM-SUSP,RR,UPP,LH	1				
	39007A	39007-0380	ARM-SUSP,RR,UPP,RH	1				
	39007B	39007-0381	ARM-SUSP,RR,LWR,LH	1				
	39007C	39007-0382	ARM-SUSP,RR,LWR,RH	1				
	39186	39186-0317	KNUCKLE,RR,LH	1				
	39186A	39186-0318	KNUCKLE,RR,RH	1				
	481	481J7500	CIRCLIP-TYPE-C	2				
	55020	55020-0931	GUARD,RR CVJ	2				
	92015	92015-1433	NUT,LOCK,FLANGED,12MM	8				
	92027	92027-1168	COLLAR,L=4.6	4				
	92045	92045-0763	BEARING-BALL,40X74X36	2				
	92092	92092-0028	BUSHING-RUBBER,12X20X78	8				
	92092A	92092-0029	BUSHING-RUBBER,10.1X17X88	4				
	92154	92154-1250	BOLT,6X15.6	4				
	92154A	92154-1318	BOLT,FLANGED,12X100	8				
	92154B	92154-1353	BOLT,FLANGED,10X110	4				
	92210	92210-0276	NUT,LOCK,FLANGED,10MM	4				

SIDE X SIDE | KAF1000AHF (MULE PRO-DXT) | SEAT

	REF NUMBER	PART NUMBER	DESCRIPTION	QUANTITY	US	CA	CN	REMARKS
	130	130BA1220	BOLT-FLANGED,12X20	18				
S	130A	130CA0816	BOLT-FLANGED,8X16	4				
	13183	13183-1400	PLATE,SEAT	2				
	13272	13272-1699	PLATE	2				
	53007	53007-0364	FRAME-SEAT	1				
	53061	53061-0038	BELT-SEAT,BUCKLE,SW.	1				
	53061A	53061-0039	BELT-SEAT,BUCKLE	5				
	53061B	53061-0045	BELT-SEAT,FR,LH&RH	2				
	53061C	53061-0046	BELT-SEAT,MIDDLE	2				
	53061D	53061-0047	BELT-SEAT,RR,LH&RH	2				
	53066	53066-0426-MA	SEAT-ASSY,BACK,BLACK	2				
	53066A	53066-0495-MA	SEAT-ASSY,BOTTOM,BLACK	2				
	92039	92039-0747	RIVET	8				
S	92039A	92039-0776	RIVET	4				
	92043	92043-0859	PIN	2				
	92072	92072-0769	BAND	2				
	92154	92154-1959	BOLT,FLANGED,10X19.5	6				
	92161	92161-1065	DAMPER,SEAT	4				
	92161A	92161-1784	DAMPER,10.5X30X8.2	2				
S	92172	92172-0284	SCREW,6X16	2				
	92172A	92172-0488	SCREW,TAPPING,6X20	12				
	92200	92200-1798	WASHER,16X22X2	6				



[Print](#)



Image / Parts Listing



Image



Parts Listing

SIDE X SIDE | KAF1000AHF (MULE PRO-DXT) | SHOCK ABSORBER(S)

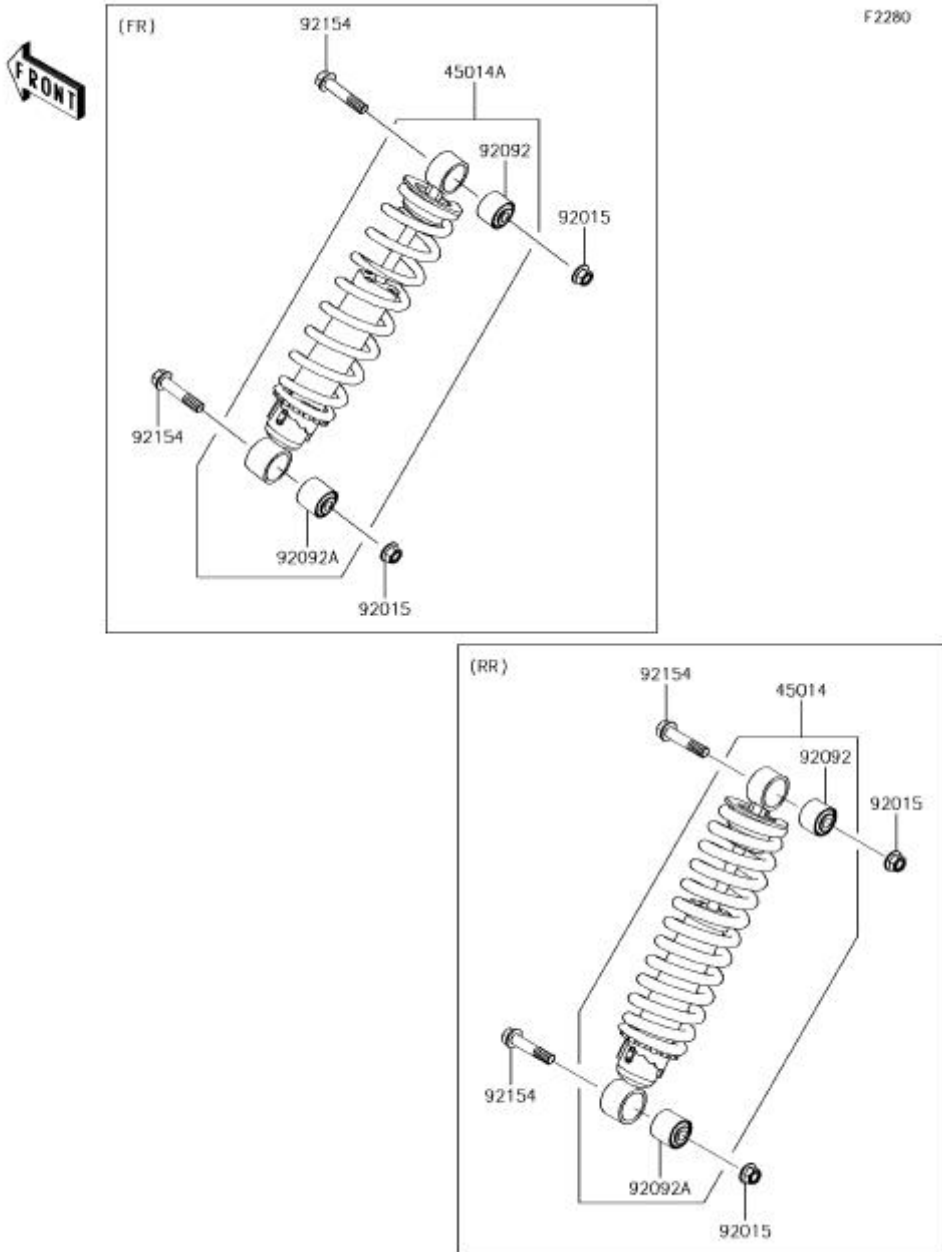





Illustration ©1966-2017 Kawasaki Motors Corp., U.S.A. All rights reserved.

SIDE X SIDE | KAF1000AHF (MULE PRO-DXT) | SHOCK ABSORBER(S)

	REF NUMBER	PART NUMBER	DESCRIPTION	QUANTITY	US	CA	CN	REMARKS
	45014	45014-0537	SHOCKABSORBER,RR	2				
	45014A	45014-0558	SHOCKABSORBER,FR	2				
	92015	92015-1433	NUT,LOCK,FLANGED,12MM	8				
	92092	92092-0034	BUSHING-RUBBER,UPP	4				
	92092A	92092-0035	BUSHING-RUBBER,LWR	4				
	92154	92154-1319	BOLT,FLANGED,12X58	8				

SIDE X SIDE | KAF1000AHF (MULE PRO-DXT) | STARTER MOTOR

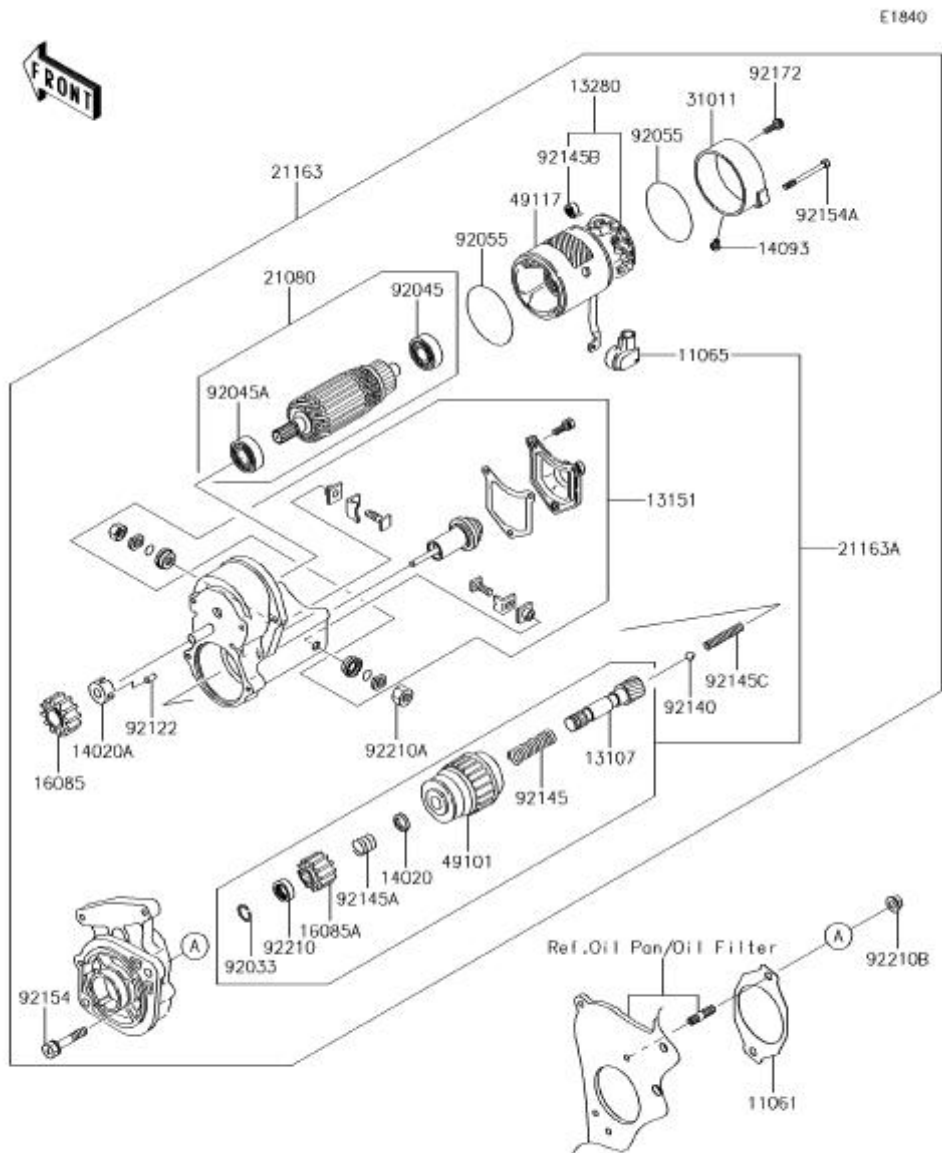


Illustration ©1966-2017 Kawasaki Motors Corp., U.S.A. All rights reserved.

SIDE X SIDE | KAF1000AHF (MULE PRO-DXT) | STARTER MOTOR

REF NUMBER	PART NUMBER	DESCRIPTION	QUANTITY	US	CA	CN	REMARKS
11061	11061-1195	GASKET,STARTER	1				
11065	11065-0939	CAP	1				
13107	13107-0841	SHAFT	1				
13151	13151-0573	SWITCH-COMP,MAGNET	1				
13280	13280-0863	HOLDER	1				
14020	14020-0020	RETAINER	1				
14020A	14020-0021	RETAINER	1				
14093	14093-0449	COVER	1				
16085	16085-0649	GEAR,PINION	1				
16085A	16085-0652	GEAR,PINION	1				
21080	21080-0010	ARMATURE	1				
21163	21163-0752	STARTER-ELECTRIC	1				
21163A	21163-0753	STARTER-ELECTRIC	1				
31011	31011-0029	FRAME	1				
49101	49101-0002	CLUTCH,STARTER	1				
49117	49117-0593	YOKE	1				
92033	92033-0775	RING-SNAP	1				
92045	92045-0808	BEARING-BALL	1				
92045A	92045-0809	BEARING-BALL	1				
92055	92055-0863	RING-O	2				
92122	92122-0048	ROLLER	5				
92140	92140-0017	BALL	1				
92145	92145-1713	SPRING	1				
92145A	92145-1714	SPRING	1				
92145B	92145-1715	SPRING	4				
92145C	92145-1716	SPRING	1				
92154	92154-2072	BOLT	2				
92154A	92154-2073	BOLT	2				
92172	92172-0988	SCREW	2				
92210	92210-1470	NUT	1				
92210A	92210-1472	NUT	1				
92210B	92210-1473	NUT,8MM	2				



[Print](#)



Image / Parts Listing



Image



Parts Listing

SIDE X SIDE | KAF1000AHF (MULE PRO-DXT) | STEERING WHEEL

F2311

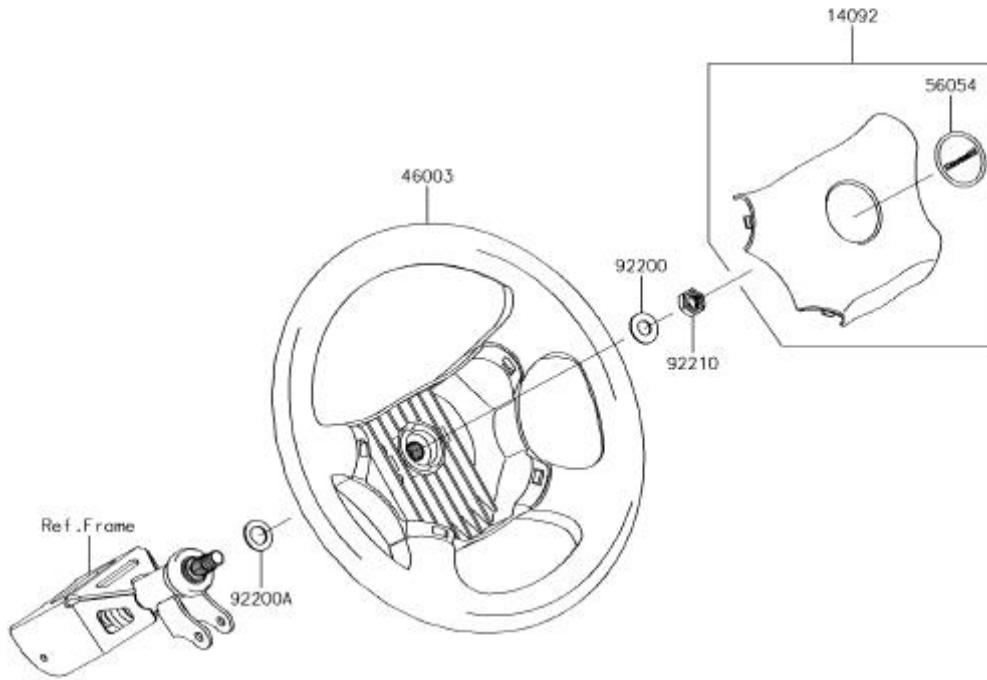





Illustration ©1966-2017 Kawasaki Motors Corp., U.S.A. All rights reserved.

SIDE X SIDE | KAF1000AHF (MULE PRO-DXT) | STEERING WHEEL

	REF NUMBER	PART NUMBER	DESCRIPTION	QUANTITY	US	CA	CN	REMARKS
	14092	14092-1029	COVER,HORN SWITCH	1				
	46003	46003-0595	HANDLE	1				
	56054	56054-1188	MARK,CENTER LOGO,KAWASAKI	1				
	92200	92200-0455	WASHER,12.1X25X1.6	1				
	92200A	92200-0460	WASHER,15X25X1.6	1				
	92210	92210-1249	NUT,LOCK,12MM	1				



[Print](#)

Image / Parts Listing

Image

Parts Listing

SIDE X SIDE | KAF1000AHF (MULE PRO-DXT) | TAILLIGHT(S)

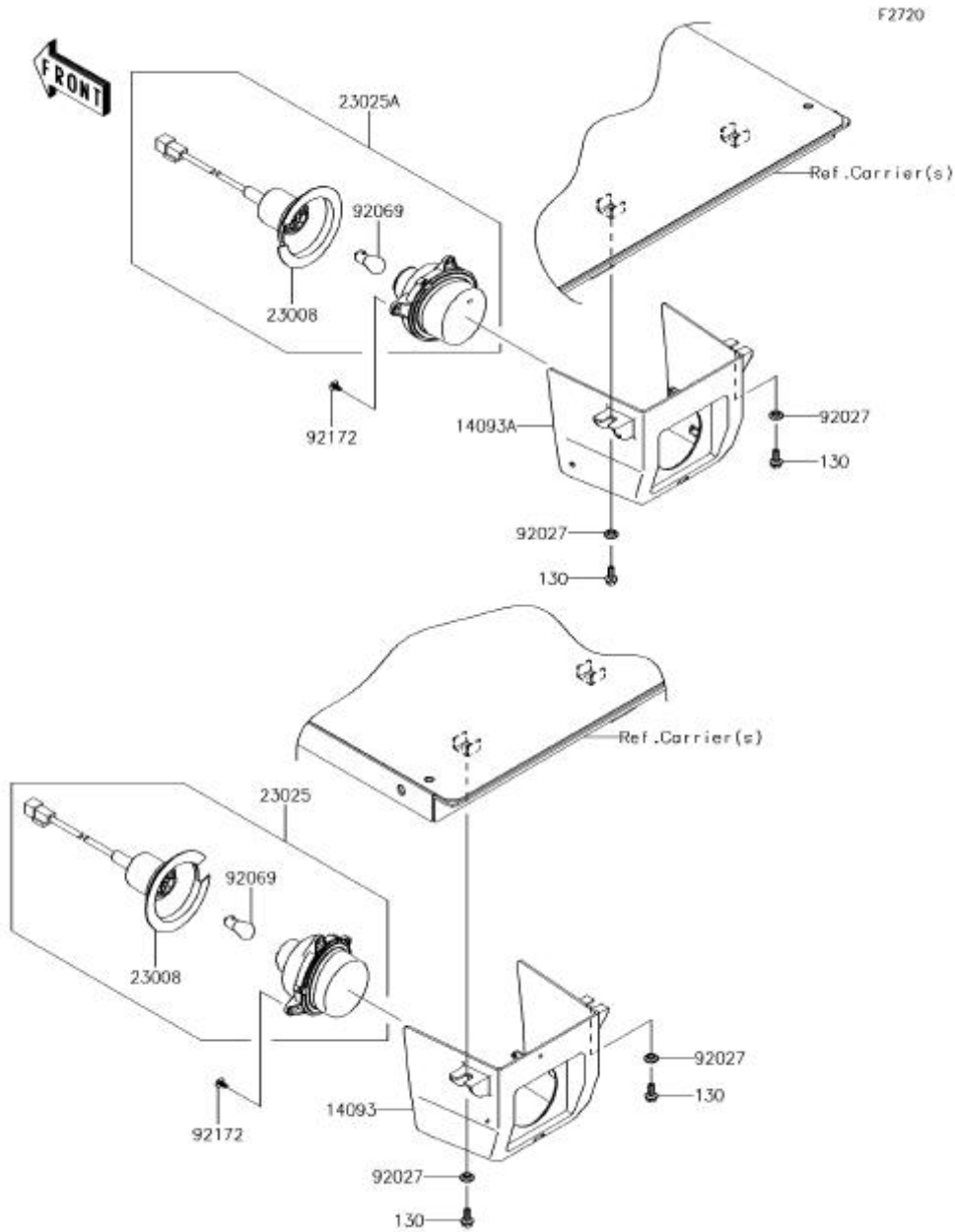


Illustration ©1966-2017 Kawasaki Motors Corp., U.S.A. All rights reserved.

SIDE X SIDE | KAF1000AHF (MULE PRO-DXT) | TAILLIGHT(S)

	REF NUMBER	PART NUMBER	DESCRIPTION	QUANTITY	US	CA	CN	REMARKS
	130	130CA0616	BOLT-FLANGED,6X16	4				
	14093	14093-0580	COVER,TAIL LAMP,LH	1				
	14093A	14093-0581	COVER,TAIL LAMP,RH	1				
	23008	23008-0162	SOCKET-ASSY	2				
	23025	23025-0334	LAMP-TAIL,LH	1				
	23025A	23025-0341	LAMP-TAIL,RH	1				
	92027	92027-1168	COLLAR,L=4.6	4				
	92069	92069-0072	BULB,12V 21/5W	2				
	92172	92172-0262	SCREW,TAPPING,5X10	6				

SIDE X SIDE | KAF1000AHF (MULE PRO-DXT) | TRANSMISSION

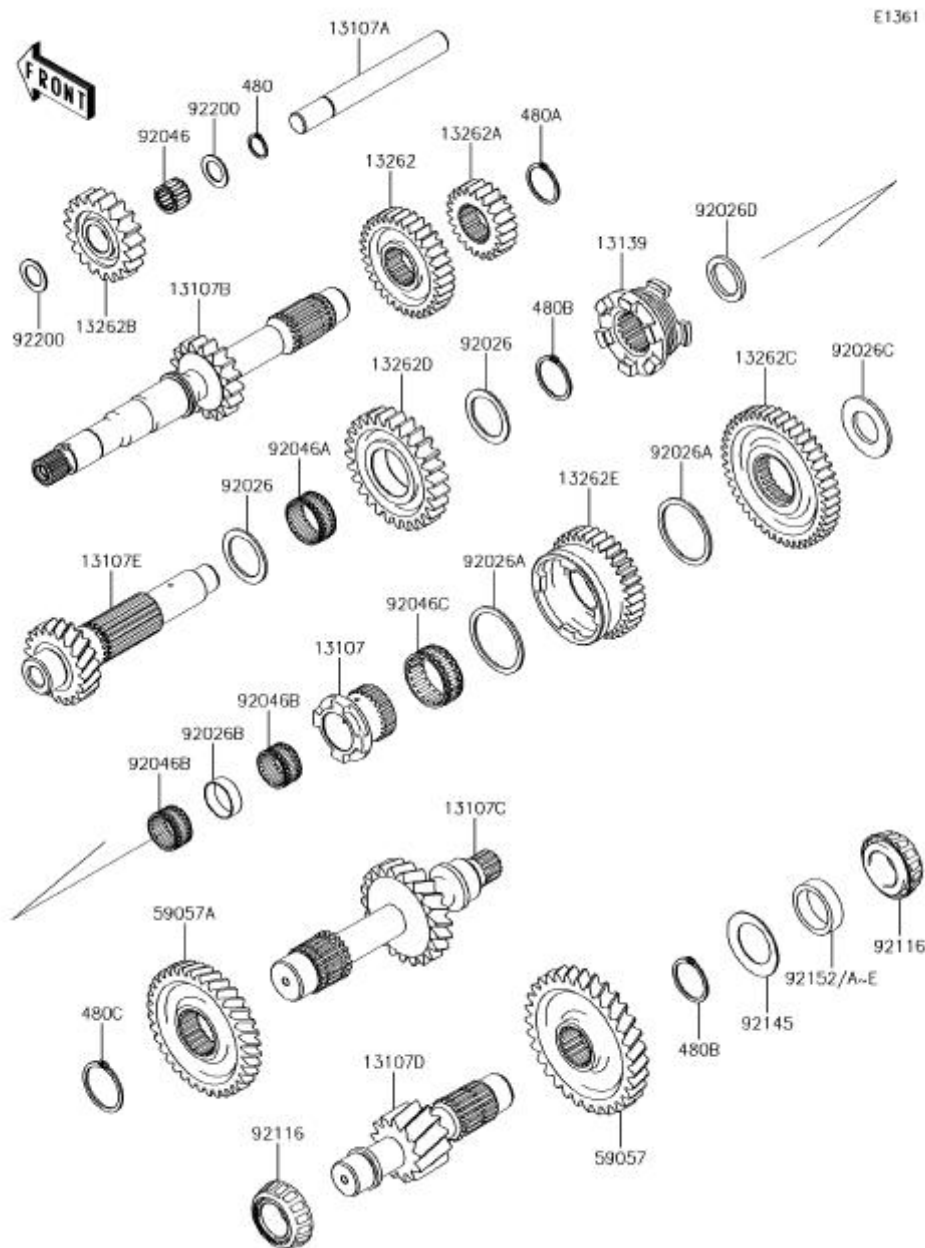


Illustration ©1966-2017 Kawasaki Motors Corp., U.S.A. All rights reserved.

SIDE X SIDE | KAF1000AHF (MULE PRO-DXT) | TRANSMISSION

	REF NUMBER	PART NUMBER	DESCRIPTION	QUANTITY	US	CA	CN	REMARKS
	13107	13107-0779	SHAFT	1				
	13107A	13107-0780	SHAFT, IDLE REV	1				
	13107B	13107-0782	SHAFT, INPUT, 17T	1				
	13107C	13107-0784	SHAFT, 3RD, 21T	1				
	13107D	13107-0785	SHAFT, 4TH, 13T	1				
	13107E	13107-0829	SHAFT, COUNTER, 19T	1				
	13139	13139-0022	SHIFTER	1				
	13262	13262-1085	GEAR, INPUT HI, 33T	1				
	13262A	13262-1086	GEAR, INPUT LOW, 22T	1				
	13262B	13262-1087	GEAR, IDLE REV, 19T	1				
	13262C	13262-1088	GEAR, COUNTER LOW, 45T	1				
	13262D	13262-1089	GEAR, COUNTER REV, 27T	1				
	13262E	13262-1090	GEAR, COUNTER HI, 34T	1				
	480	480J1800	CIRCLIP-TYPE-C, 18MM	1				
	480A	480J3200	CIRCLIP-TYPE-C, 32MM	1				
	480B	480J3500	CIRCLIP	2				
	480C	480J4000	CIRCLIP	1				
	59057	59057-0013	GEAR-HELICAL, 31T	1				
	59057A	59057-0022	GEAR-HELICAL, 3RD, 36T	1				
	92026	92026-0765	SPACER, 35.2X47X2	2				
	92026A	92026-0766	SPACER, 49.2X58X2	2				
	92026B	92026-0767	SPACER, 29.4X31.8X10	1				
	92026C	92026-0768	SPACER	1				
	92026D	92026-0795	SPACER, 28.2X39X3.6	1				
	92046	92046-0040	BEARING-NEEDLE, FMJ-182417	1				
	92046A	92046-0611	BEARING-NEEDLE, 35X40X17	1				
	92046B	92046-0621	BEARING-NEEDLE, KT283317C3	2				
	92046C	92046-1276	BEARING-NEEDLE, HIGH GEAR	1				
	92116	92116-0007	BEARING-ROLLER	2				
	92145	92145-1575	SPRING	1				
	92152	92152-1815	COLLAR, L=12.1	AR				
	92152A	92152-1816	COLLAR, L=12.3	AR				
	92152B	92152-1817	COLLAR, L=12.5	AR				
	92152C	92152-1818	COLLAR, L=12.7	AR				
	92152D	92152-1819	COLLAR, L=12.9	AR				
	92152E	92152-1820	COLLAR, L=13.1	AR				
	92200	92200-0716	WASHER, 18.2X28X1.5	2				



[Print](#)



Image / Parts Listing



Image



Parts Listing

SIDE X SIDE | KAF1000AHF (MULE PRO-DXT) | VALVE(S)/CAMSHAFT(S)

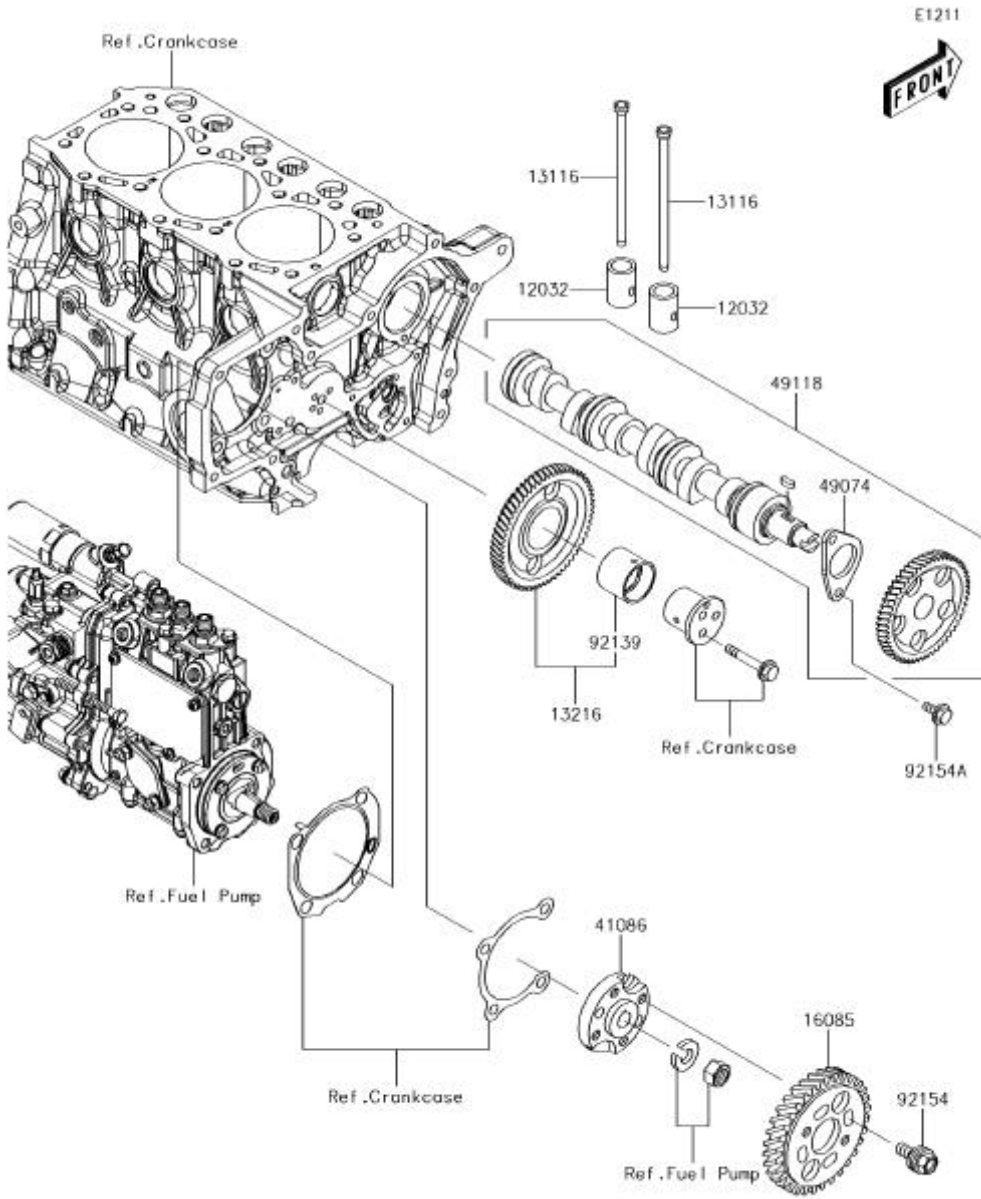



Illustration ©1966-2017 Kawasaki Motors Corp., U.S.A. All rights reserved.

SIDE X SIDE | KAF1000AHF (MULE PRO-DXT) | VALVE(S)/CAMSHAFT(S)

	REF NUMBER	PART NUMBER	DESCRIPTION	QUANTITY	US	CA	CN	REMARKS
	12032	12032-0021	TAPPET	6				
	13116	13116-0726	ROD-PUSH	6				
	13216	13216-0889	GEAR-COMP,IDLE	1				
	16085	16085-0648	GEAR,PUMP	1				
	41086	41086-0723	FLANGE	1				
	49074	49074-0004	PLATE-THRUST	1				
	49118	49118-0864	CAMSHAFT-COMP	1				
	92139	92139-0863	BUSHING,IDLE GEAR	1				
	92154	92154-1996	BOLT	4				
	92154A	92154-1998	BOLT,FLANGED,6X12	2				

 [Print](#) Image / Parts Listing Image Parts Listing

SIDE X SIDE | KAF1000AHF (MULE PRO-DXT) | WATER PUMP

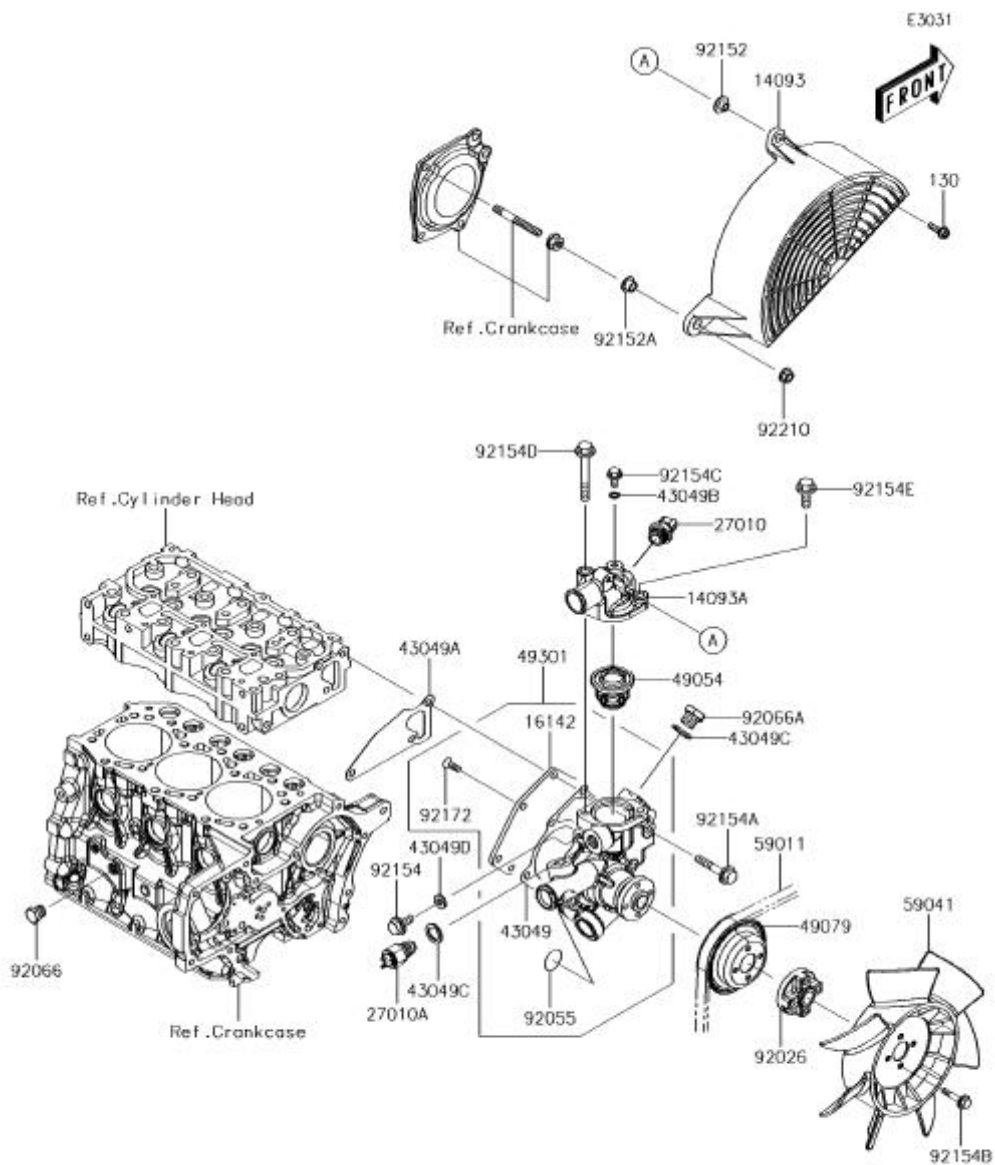




Illustration ©1966-2017 Kawasaki Motors Corp., U.S.A. All rights reserved.

SIDE X SIDE | KAF1000AHF (MULE PRO-DXT) | WATER PUMP

	REF NUMBER	PART NUMBER	DESCRIPTION	QUANTITY	US	CA	CN	REMARKS
	130	130BA0620	BOLT-FLANGED,6X20	1				
	14093	14093-0297	COVER,FAN	1				
	14093A	14093-0446	COVER,THERMOSTAT	1				
	16142	16142-0736	COVER-PUMP	1				
	27010	27010-0839	SWITCH,THERMOSTAT	1				
	27010A	27010-0840	SWITCH,THERMO	1				
	43049	43049-0040	PACKING,WATER PUMP	1				
	43049A	43049-0041	PACKING,WATER PUMP	1				
	43049B	43049-0042	PACKING,6X1	1				
	43049C	43049-0043	PACKING	2				
	43049D	43049-0047	PACKING,8X1	1				
	49054	49054-0008	THERMOSTAT	1				
	49079	49079-0027	PULLEY-BELT	1				
	49301	49301-0002	PUMP-ASSY-WATER	1				
	59011	59011-0045	BELT,A35	1				
	59041	59041-0015	FAN,COOLING	1				
	92026	92026-0820	SPACER	1				
	92055	92055-0858	RING-O	1				
	92066	92066-0853	PLUG,DRAIN	1				
	92066A	92066-0854	PLUG	1				
	92152	92152-0181	COLLAR	1				
	92152A	92152-0613	COLLAR	1				
	92154	92154-1999	BOLT,FLANGED,8X12	1				
	92154A	92154-2000	BOLT,FLANGED,8X45	3				
	92154B	92154-2067	BOLT,FLANGED,6X30	4				
	92154C	92154-2068	BOLT,FLANGED,6X10	1				
	92154D	92154-2070	BOLT,FLANGED,8X65	1				
	92154E	92154-2110	BOLT,FLANGED,8X28	1				
	92172	92172-0987	SCREW,6X12	5				
	92210	92210-0555	NUT,FLANGED,8MM	1				



[Print](#)

Image / Parts Listing

Image

Parts Listing

SIDE X SIDE | KAF1000AHF (MULE PRO-DXT) | WHEELS/TIRES

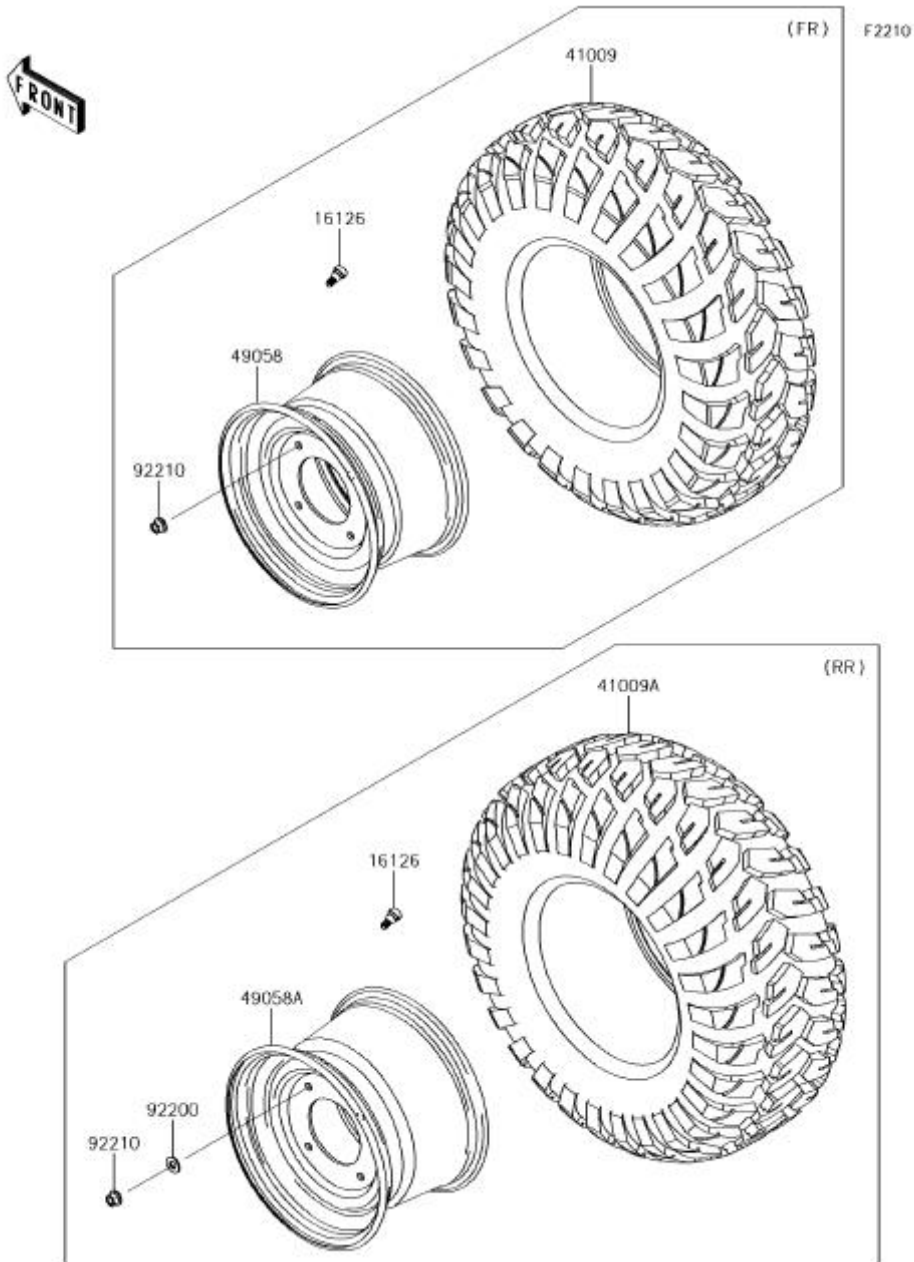


Illustration ©1966-2017 Kawasaki Motors Corp., U.S.A. All rights reserved.

SIDE X SIDE | KAF1000AHF (MULE PRO-DXT) | WHEELS/TIRES

	REF NUMBER	PART NUMBER	DESCRIPTION	QUANTITY	US	CA	CN	REMARKS
	16126	16126-4001	VALVE	4				
S	41009	41009-0696	TIRE,FR,26X9.00R12 4PR,FRONTIER	2				
	41009A	41009-0697	TIRE,RR,26X11.00R12 4PR,FRONTIER	2				
	49058	49058-0608-397	WHEEL,FR,12X7.0AT,F.S.BLACK	2				
	49058A	49058-0611-397	WHEEL,RR,12X8.0AT,F.S.BLACK	2				
	92200	92200-0930	WASHER,12.1X26X2.3	8				
	92210	92210-0603	NUT,12MM	16				