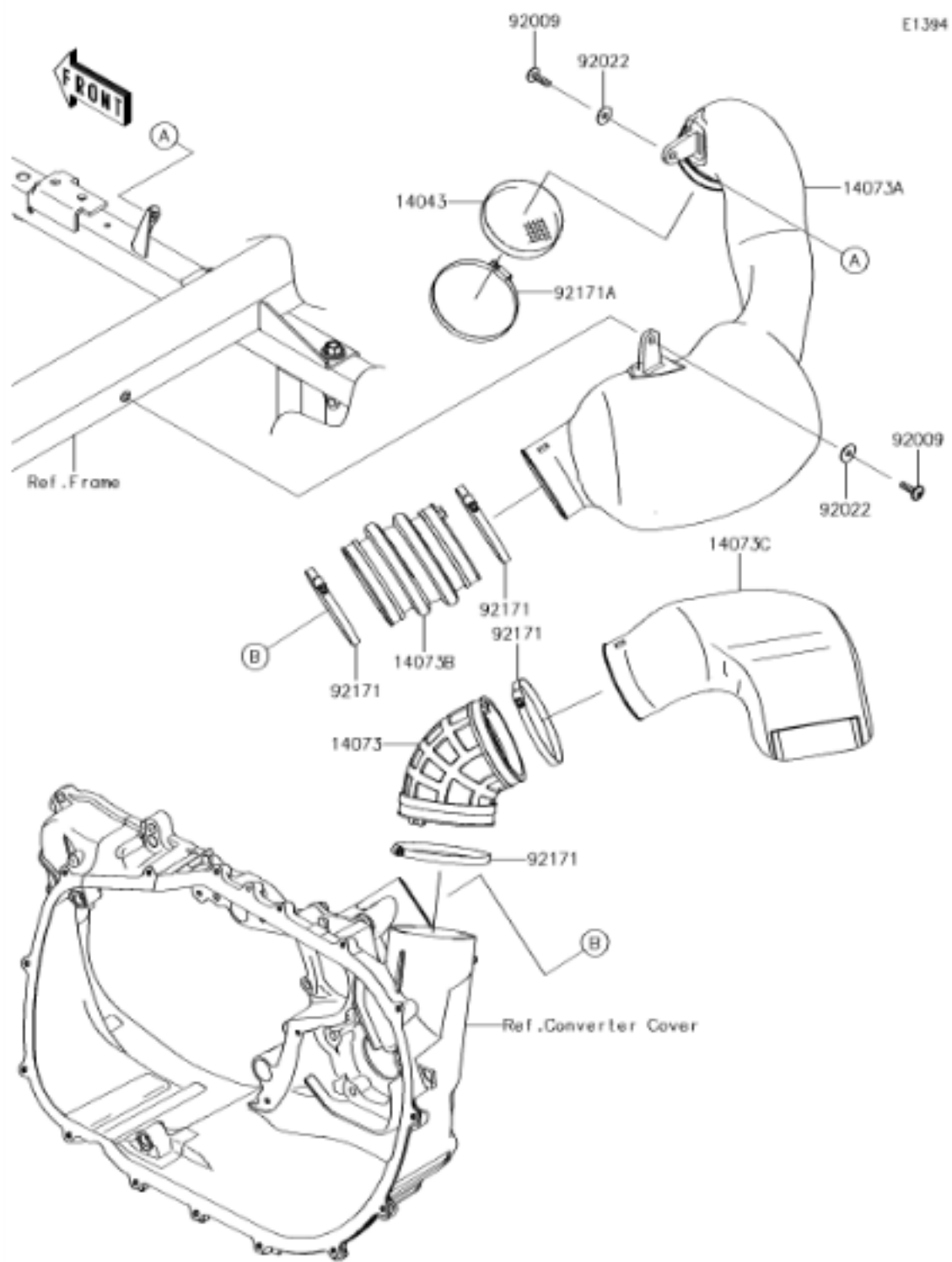
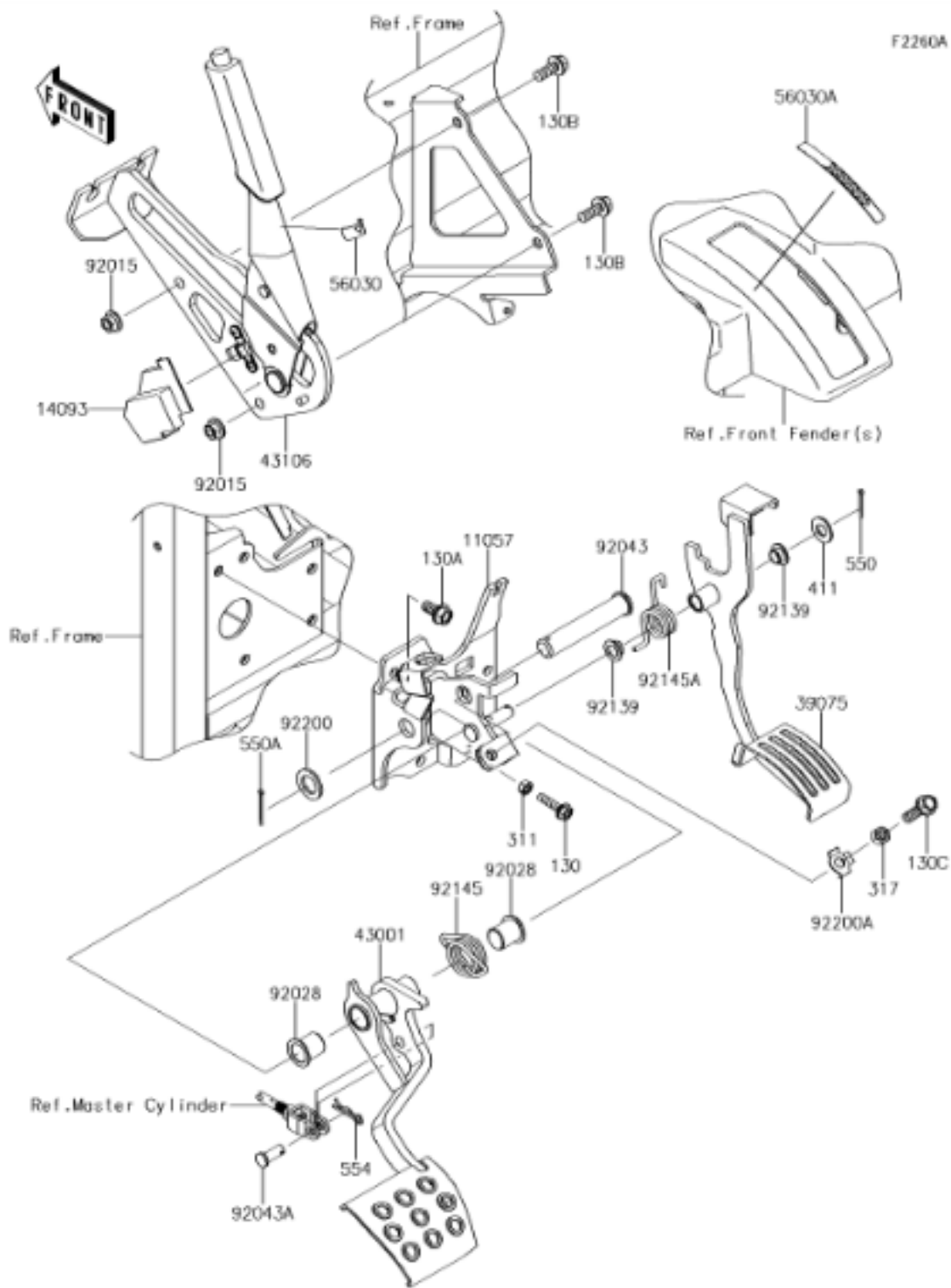


Callout	Part Number	Description	Qty	Remarks	
130	130BA0614	BOLT-FLANGED,6X14	1		
11010	11010-0808	FILTER-ASSY-AIR	1		
11011	11011-0813	CASE-AIR FILTER,UPP	1		
11013	11013-1290	ELEMENT-AIR FILTER	1		
11056	11056-3734	BRACKET,AIR FILTER	1		
11061	11061-0961	GASKET,ADAPTER	1		
14073	14073-0815	DUCT,INTAKE	1		
14073A	14073-0816	DUCT,AIR CLEANER-RESONATOR	1		
14073B	14073-0817	DUCT,FUNNEL	1		
14073C	14073-1775	DUCT,JOINT	1		
16181	16181-0018	TANK-RESONATOR	1		
41077	41077-0719	ADAPTER,ELEMENT	1		
49006	49006-0555	BOOT	1		
92009	92009-1154	SCREW,5X12	1		
92009A	92009-1621	SCREW,6X16	2		
92022	92022-165	WASHER,PLAIN,6MM	2		
92093	92093-0607	SEAL,AIR FILTER	1		
92152	92152-0445	COLLAR,6.5X10X5.6	1		
92170	92170-1764	CLAMP	4		

Callout	Part Number	Description	Qty	Remarks	
92171	92171-0225	CLAMP	4		
92171A	92171-0533	CLAMP	1		
92172	92172-0009	SCREW,TAPPING,5X20	1		
92173	92173-1536	CLAMP	1		
92173A	92173-1537	CLAMP	1		



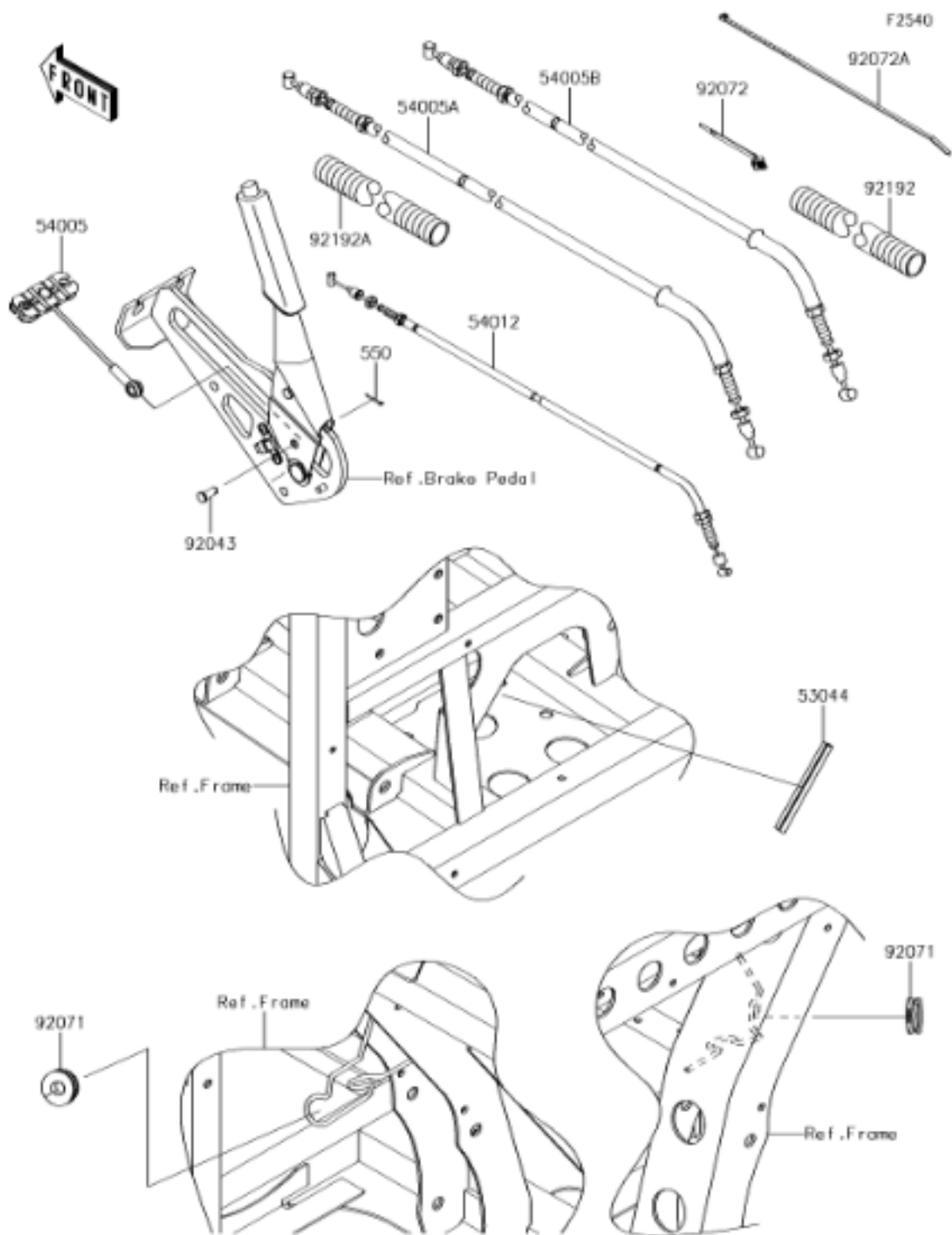
Callout	Part Number	Description	Qty	Remarks	
14043	14043-0013	FILTER	1		
14073	14073-0788	DUCT,EXHAUST	1		
14073A	14073-0789	DUCT,INTAKE	1		
14073B	14073-0790	DUCT,INTAKE	1		
14073C	14073-0793	DUCT,EXHAUST	1		
92009	92009-1441	SCREW,6X22	2		
92022	92022-165	WASHER,PLAIN,6MM	2		
92171	92171-1383	CLAMP	4		
92171A	92171-3716	CLAMP	1		



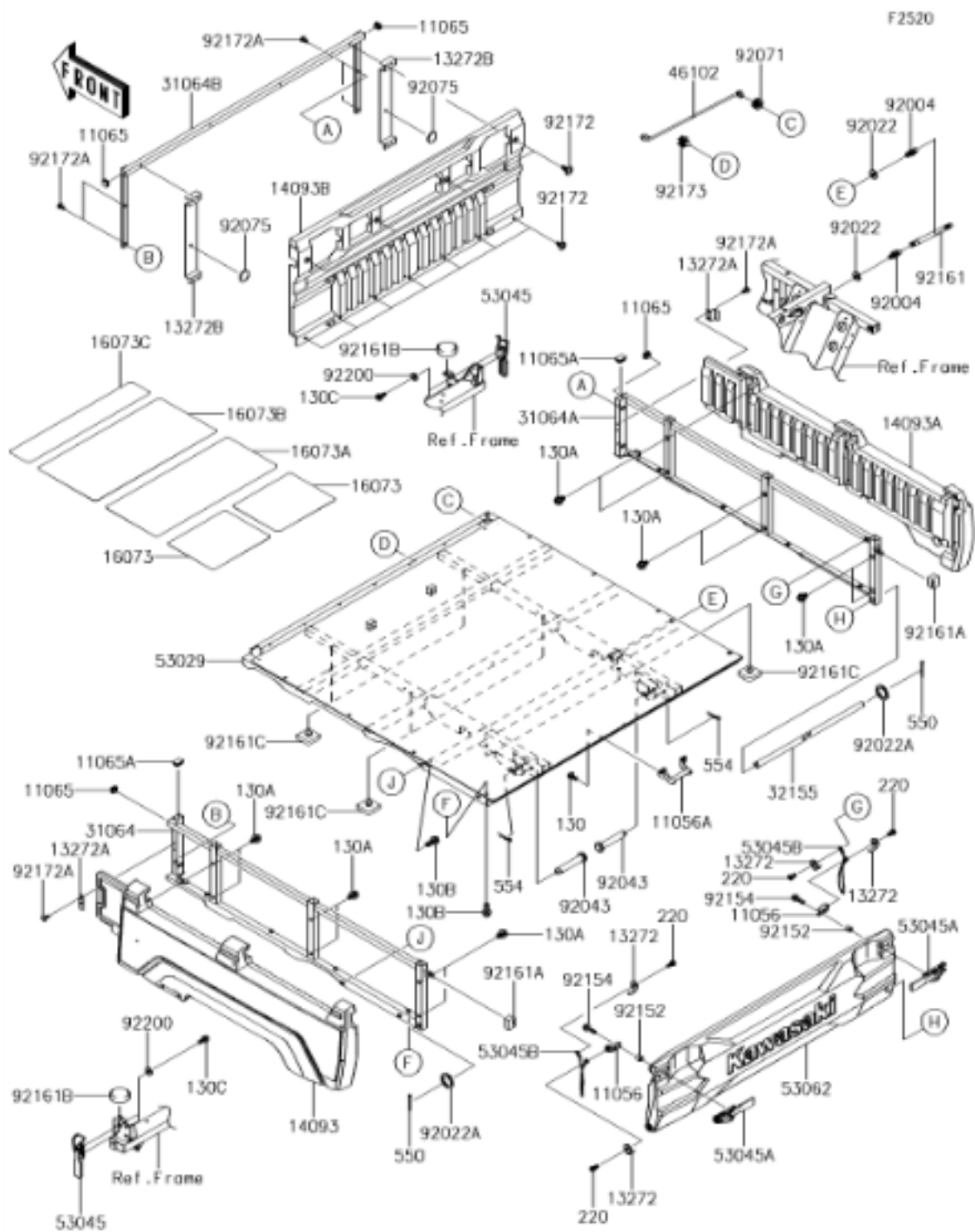
Callout	Part Number	Description	Qty	Remarks	
130	130BA0625	BOLT-FLANGED,6X25	1		
130A	130BA0818	BOLT-FLANGED,8X18	5		
130B	130BA0820	BOLT-FLANGED,8X20	2		
130C	130BA0830	BOLT-FLANGED,8X30	1		
311	311BA0600	NUT-HEX,6MM	1		
317	317BA0800	NUT-HEX-SMALL,8MM	1		
411	411AA1000	WASHER-PLAIN,10MM	1		
550	550AA2518	PIN-COTTER,2.5X18	1		
550A	550AA2525	PIN-COTTER,2.5X25	1		
554	554DA1000	PIN-SNAP,10MM	1		
11057	11057-0727	BRACKET,PARKING BRAKE	1		
14093	14093-0241	COVER,PARKING BRAKE SW.	1		
39075	39075-0024	LEVER-THROTTLE	1		
43001	43001-0752	LEVER-BRAKE,FOOT	1		
43106	43106-0006	LEVER-ASSY-PARKING BRAKE	1		
56030	56030-0905	LABEL,ARROW	1		
56030A	56030-0930	LABEL,STROKE RANGE	1		
92015	92015-1406	NUT,FLANGED,8MM	2		
92028	92028-1571	BUSHING	2		

Callout	Part Number	Description	Qty	Remarks	
92043	92043-0917	PIN,16X78	1		
92043A	92043-1039	PIN	1		
92139	92139-0230	BUSHING	2		
92145	92145-1615	SPRING,BRAKE PEDAL RETURN	1		
92145A	92145-1768	SPRING,RETURN,22X3.2	1		
92200	92200-0043	WASHER,16X26X2.3	1		
92200A	92200-0993	WASHER,8.5X17X0.8	1		





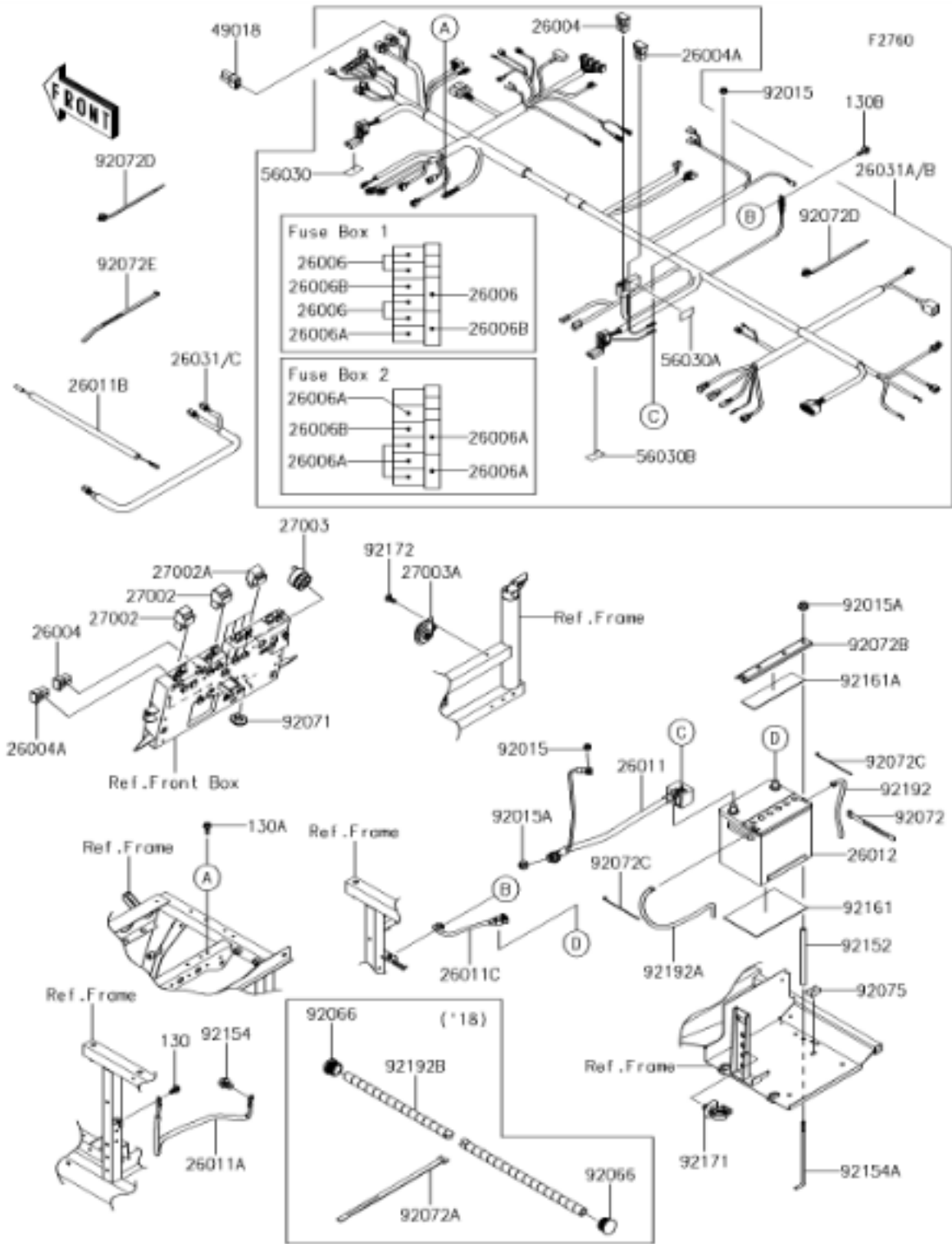
Callout	Part Number	Description	Qty	Remarks	
550	550AA2518	PIN-COTTER,2.5X18	1		
53044	53044-7502	TRIM,L=111	1		
54005	54005-0035	CABLE-BRAKE,PARKING,FR	1		
54005A	54005-0039	CABLE-BRAKE,PARKING,LH	1		
54005B	54005-0040	CABLE-BRAKE,PARKING,RH	1		
54012	54012-0633	CABLE-THROTTLE	1		
92043	92043-1039	PIN	1		
92071	92071-0029	GROMMET	2		
92072	92072-1414	BAND,OS170-FT7(BLACK)	9		
92072A	92072-3509	BAND,L=292.1	7		
92192	92192-1363	TUBE,CONVOLUTED,25.1X30X260	1		
92192A	92192-1391	TUBE,CONVOLUTED,25.1X30X210	1		



Callout	Part Number	Description	Qty	Remarks	
130	130BA0614	BOLT-FLANGED,6X14	2		
130A	130BA0812	BOLT-FLANGED,8X12	12		
130B	130BA0820	BOLT-FLANGED,8X20	12		
130C	130CA0616	BOLT-FLANGED,6X16	4		
220	220AB0610	SCREW-PAN-CROS,6X10	4		
550	550AA3030	PIN-COTTER,3.0X30	2		
554	554DA1200	PIN-SNAP,12MM	2		
11056	11056-2848	BRACKET,STOPPER	2		
11056A	11056-4273	BRACKET,SUPPORT	1		
11065	11065-0901	CAP	4		
11065A	11065-0907	CAP	2		
13272	13272-1597	PLATE	4		
13272A	13272-1993	PLATE,SIDE FRAME	2		
13272B	13272-2101	PLATE,FR COVER	2		
14093	14093-0165-6Z	COVER,RESIN PANEL,LH,F.BLACK	1		
14093A	14093-0166-6Z	COVER,RESIN PANEL,RH,F.BLACK	1		
14093B	14093-0301	COVER,SCREEN	1		
16073	16073-0813	INSULATOR,265X335	2		
16073A	16073-0816	INSULATOR,295X705	1		

Callout	Part Number	Description	Qty	Remarks	
16073B	16073-0835	INSULATOR,335X705	1		
16073C	16073-0836	INSULATOR,115X705	1		
31064	31064-0661	PIPE-COMP,SIDE FRAME,LH	1		
31064A	31064-0662	PIPE-COMP,SIDE FRAME,RH	1		
31064B	31064-0663	PIPE-COMP,FR FRAME	1		
32155	32155-1533	PIPE	1		
46102	46102-0615	ROD,STOPPER	1		
53029	53029-0343	CARRIER,BASE	1		
53045	53045-0025	HOOK-ASSY,MAIN LOCK	2		
53045A	53045-0026	HOOK-ASSY,MAIN CLAMP	2		
53045B	53045-0029	HOOK-ASSY	2		
53062	53062-0022	GATE-TAIL	1		
92004	92004-0733	STUD	2		
92022	92022-1533	WASHER,8.2X19X2	2		
92022A	92022-1618	WASHER,23X32X2.3	2		
92043	92043-0716	PIN,12.4X72.4	2		
92071	92071-0763	GROMMET,7.5X14X11	1		
92075	92075-261	DAMPER,RUBBER	2		
92152	92152-1799	COLLAR,6.8X10X9.3	4		

Callout	Part Number	Description	Qty	Remarks	
92154	92154-1356	BOLT,FLANGED,6X22	4		
92161	92161-1615	DAMPER	1		
92161A	92161-1656	DAMPER	2		
92161B	92161-1775	DAMPER,10X40X10	2		
92161C	92161-1920	DAMPER,10X34X10	6		
92172	92172-0711	SCREW,6X16	11		
92172A	92172-0739	SCREW,TAPPING,6X16	8		
92173	92173-1213	CLAMP,FUEL PIPE	1		
92200	92200-1543	WASHER,6.5X16X2.0	4		



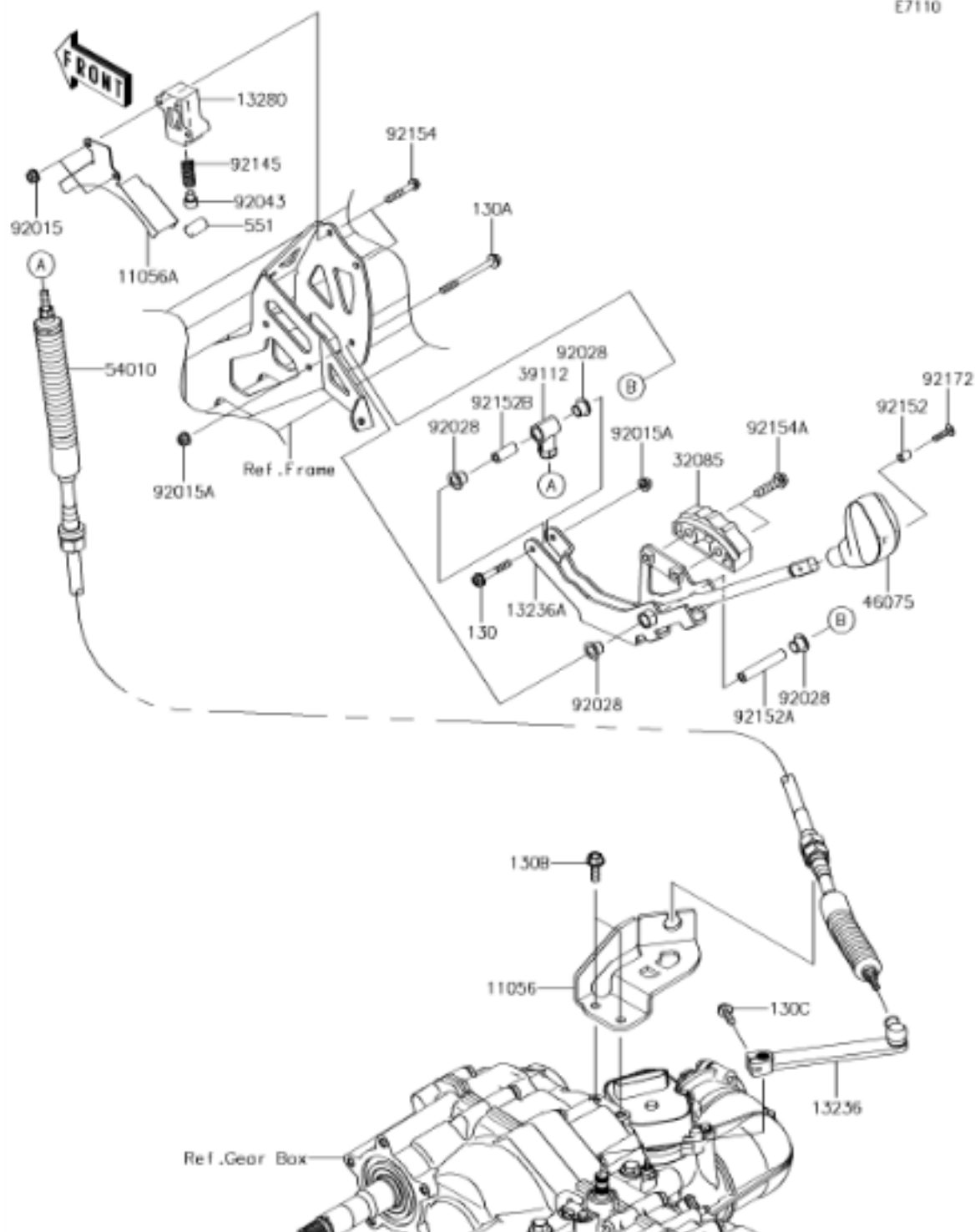
Callout	Part Number	Description	Qty	Remarks	
130	130BA0612	BOLT-FLANGED,6X12	1		
130A	130BA0616	BOLT-FLANGED,6X16	1		
130B	130BA0618	BOLT-FLANGED,6X18	1		
26004	26004-0024	FUSE-ASSY,60A	2		
26004A	26004-1093	FUSE-ASSY,40A	2		
26006	26006-0009	FUSE,MINI BLADE,10A,RED	5		
26006A	26006-1080	FUSE,MINI BLADE,30A,GREEN	7		
26006B	26006-3704	FUSE,MINI BLADE,20A,YELLOW	3		
26011	26011-0904	WIRE-LEAD,BATTERY(+)	1		
26011A	26011-0905	WIRE-LEAD,ENGINE GND	1		
26011B	26011-0906	WIRE-LEAD,OIL PRESSURE SW.	1		
26011C	26011-0912	WIRE-LEAD,BATTERY(-)	1		
26012	26012-7501	BATTERY,WET,(26R)	1		
26031A	26031-2153	HARNESS,MAIN	1		
26031	26031-2226	HARNESS,SUB	1		
27002	27002-0012	RELAY-ASSY	3		
27002A	27002-1062	RELAY-ASSY	4		
27003	27003-0116	HORN,PARKING BUZZER	1		
27003A	27003-1330	HORN	1		



Callout	Part Number	Description	Qty	Remarks	
49018	49018-0006	DIODE	1		
56030	56030-0917	LABEL,FUSE BOX1	1		
56030A	56030-0918	LABEL,FUSE BOX3	1		
56030B	56030-0919	LABEL,FUSE BOX2	1		
92015	92015-1367	NUT,FLANGED,6MM	2		
92015A	92015-1406	NUT,FLANGED,8MM	2		
92066	92066-0908	PLUG	2		
92071	92071-0729	GROMMET,22X45X9	1		
92072	92072-030	BAND,L=123	1		
92072A	92072-032	BAND,L=218	2		
92072B	92072-0767	BAND	1		
92072C	92072-0791	BAND,92X2.4	2		
92072D	92072-1414	BAND,OS170-FT7(BLACK)	38		
92072E	92072-3509	BAND,L=292.1	18		
92075	92075-099	DAMPER	1		
92152	92152-1852	COLLAR,9.4X12.7X190.8	1		
92154	92154-1383	BOLT,FLANGED,10X14	1		
92154A	92154-1650	BOLT,BATTERY	1		
92161	92161-0578	DAMPER	1		

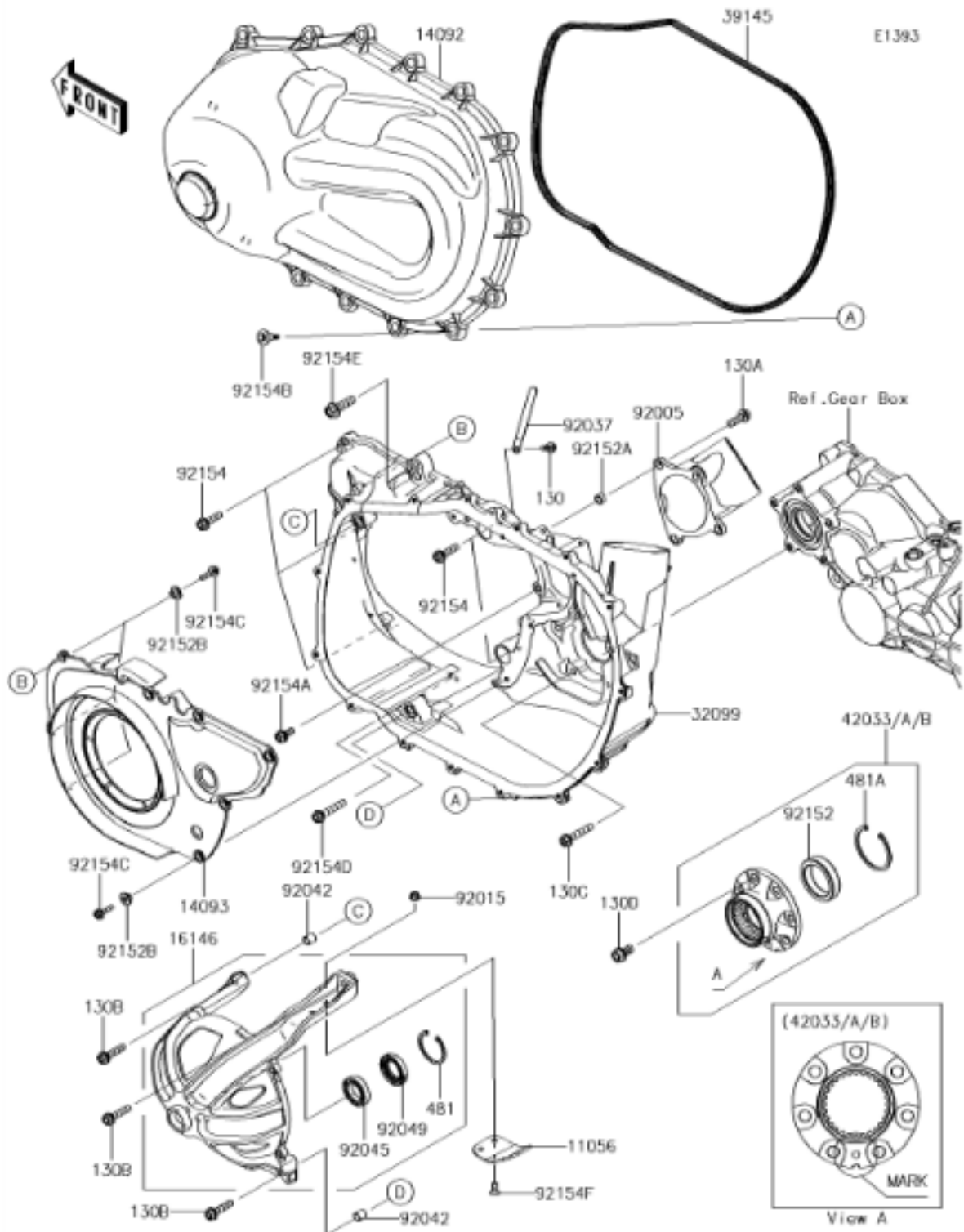
Callout	Part Number	Description	Qty	Remarks	
92161A	92161-1753	DAMPER	1		
92171	92171-0453	CLAMP	1		
92172	92172-0739	SCREW,TAPPING,6X16	1		
92192	92192-1646	TUBE,BREATHER,7X10X240	1		
92192A	92192-1694	TUBE,BREATHER,7X10X450	1		
92192B	92192-1814	TUBE,CONVOLUTED	1		

E7110



Callout	Part Number	Description	Qty	Remarks	
130	130BA0640	BOLT-FLANGED,6X40	1		
130A	130BA0670	BOLT-FLANGED,6X70	1		
130B	130BA0822	BOLT-FLANGED,8X22	2		
130C	130CD0620	BOLT-FLANGED,6X20	1		
551	551R1220	PIN-DOWEL,12X20	1		
11056	11056-2946	BRACKET,T/M SIDE	1		
11056A	11056-7274	BRACKET,DUST COVER	1		
13236	13236-0747	LEVER-COMP,T/M SIDE	1		
13236A	13236-0748	LEVER-COMP,SHIFT	1		
13280	13280-0776	HOLDER	1		
32085	32085-0748	STOPPER	1		
39112	39112-0020	RODEND-TIE	1		
46075	46075-0569	GRIP	1		
54010	54010-0601	CABLE,SHIFT	1		
92015	92015-1367	NUT,FLANGED,6MM	2		
92015A	92015-1675	NUT,LOCK,FLANGED,6MM	2		
92028	92028-1507	BUSHING	4		
92043	92043-0790	PIN	1		
92145	92145-1578	SPRING	1		

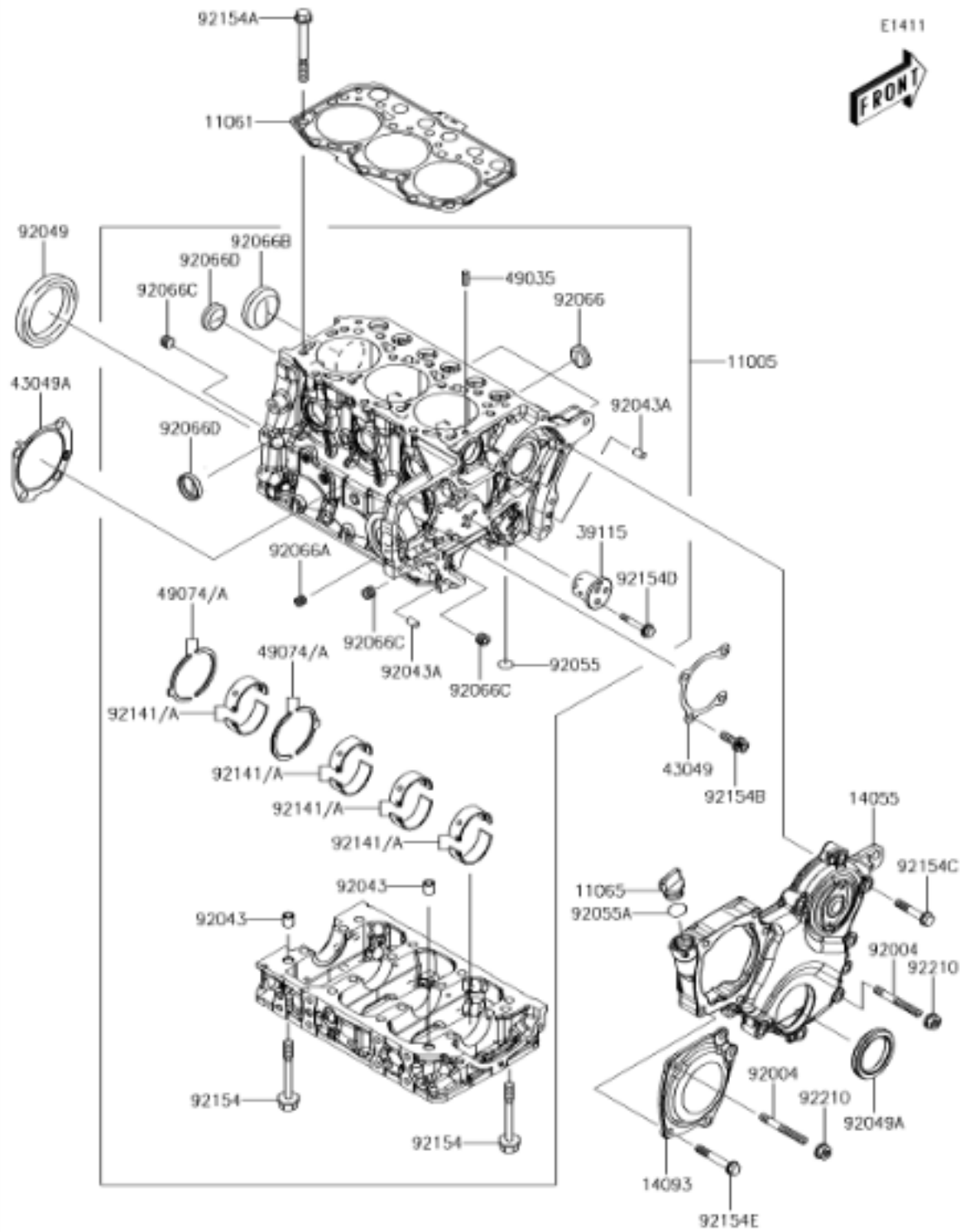
Callout	Part Number	Description	Qty	Remarks	
92152	92152-1545	COLLAR,5.6X8X10.5	1		
92152A	92152-1823	COLLAR,6X10X56.5	1		
92152B	92152-1854	COLLAR,6X10X25	1		
92154	92154-1544	BOLT,FLANGED,6X35	2		
92154A	92154-1907	BOLT,FLANGED,8X30	2		
92172	92172-2081	SCREW,5X20	1		



Callout	Part Number	Description	Qty	Remarks	
130	130BA0614	BOLT-FLANGED,6X14	1		
130A	130BA0825	BOLT-FLANGED,8X25	4		
130B	130BA0835	BOLT-FLANGED,8X35	3		
130C	130BA0845	BOLT-FLANGED,8X45	5		
130D	130CA1018	BOLT-FLANGED,10X18	7		
481	481J4500	CIRCLIP-TYPE-C,45MM	1		
481A	481J6200	CIRCLIP	1		
11056	11056-7883	BRACKET,CVT BELT GUIDE	1		
14092	14092-1202	COVER,CVT	1		
14093	14093-0302	COVER	1		
16146	16146-0791	COVER-ASSY	1		
32099	32099-0771	CASE,CVT	1		
39145	39145-0047	TRIM-SEAL	1		
42033	42033-0582	COUPLING-ASSY,B MARK,WHITE	1		
42033	42033-0583	COUPLING-ASSY,A MARK,BLUE	1		
42033	42033-0584	COUPLING-ASSY,C MARK,YELLOW	1		
92005	92005-0762	FITTING,INTAKE	1		
92015	92015-1675	NUT,LOCK,FLANGED,6MM	2		
92037	92037-1993	CLAMP	1		

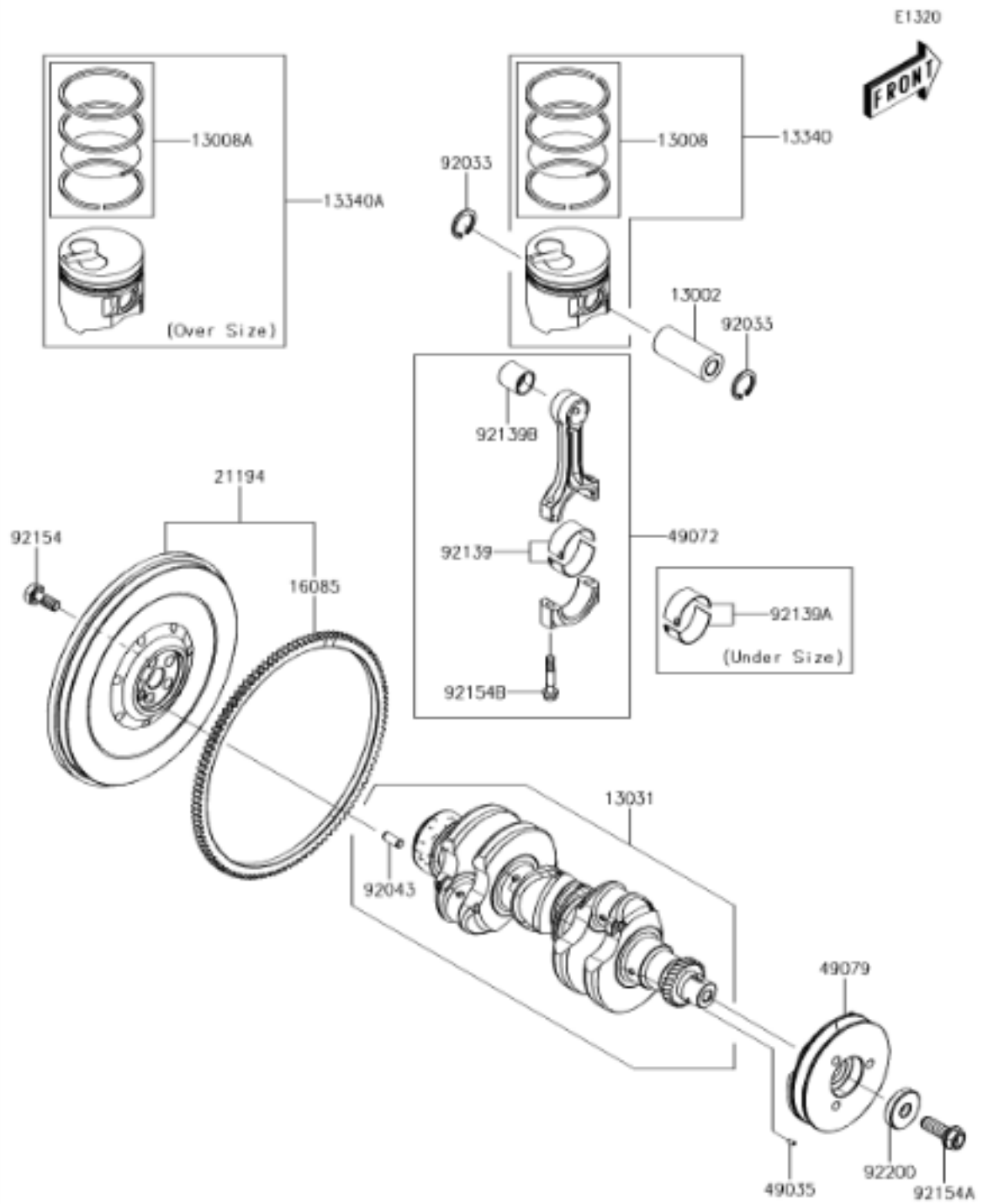
Callout	Part Number	Description	Qty	Remarks	
92042	92042-031	PIN,DOWEL,12X14	2		
92045	92045-036	BEARING-BALL,#6905	1		
92049	92049-0767	SEAL-OIL,HTC 28X45X8	1		
92152	92152-1822	COLLAR	1		
92152A	92152-1853	COLLAR,8.8X12.3X6.9	4		
92152B	92152-1931	COLLAR	8		
92154	92154-0850	BOLT,FLANGED,8X30	5		
92154A	92154-1386	BOLT,FLANGED,8X18	1		
92154B	92154-1522	BOLT,CVT COVER	15		
92154C	92154-1525	BOLT,FLANGED,6X22	8		
92154D	92154-1526	BOLT,FLANGED,8X45	1		
92154E	92154-1744	BOLT,FLANGED,10X35	1		
92154F	92154-2147	BOLT,6X16	2		





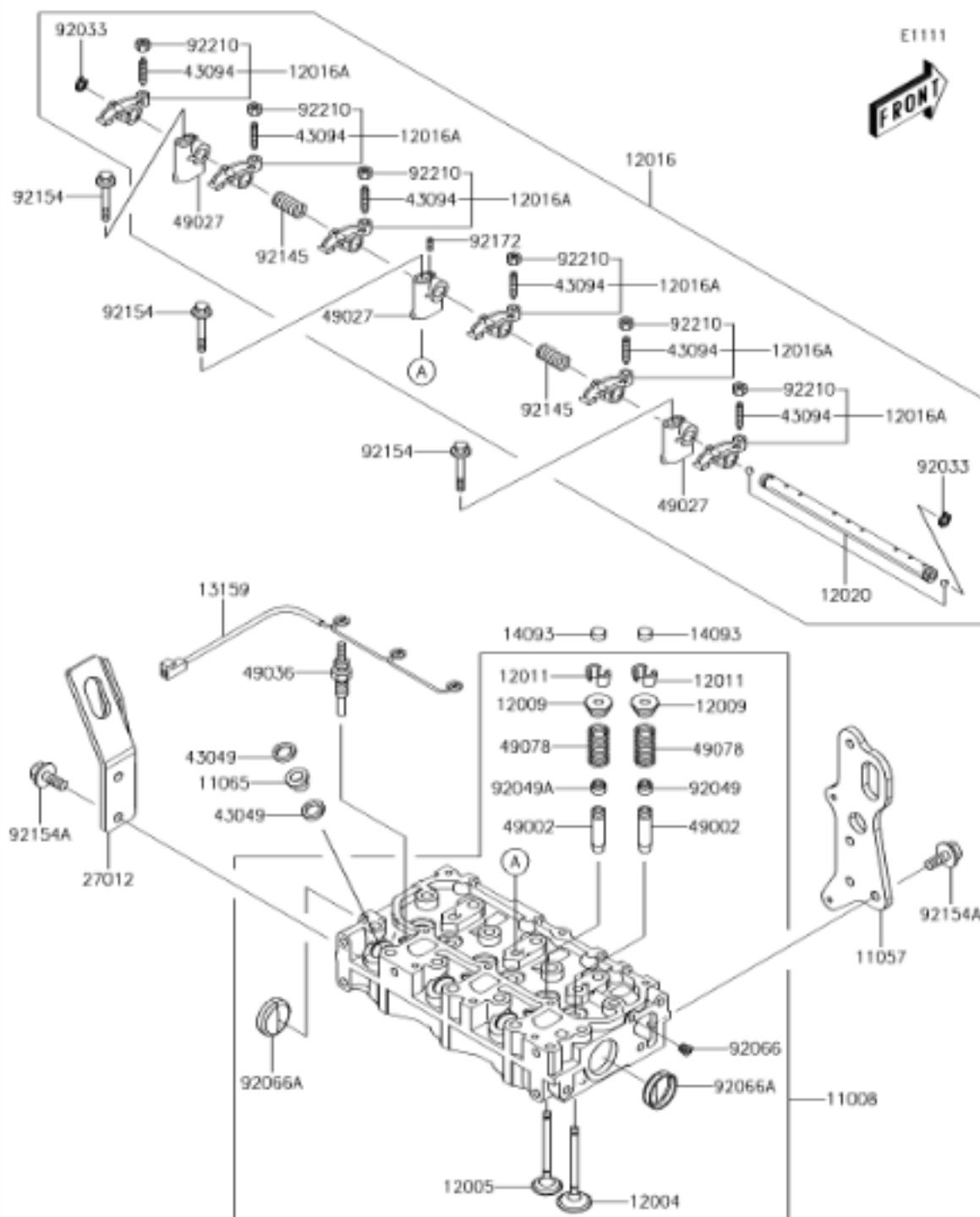
Callout	Part Number	Description	Qty	Remarks	
11005	11005-0664	CYLINDER-ENGINE	1		
11061	11061-1192	GASKET,HEAD	1		
11065	11065-0936	CAP	1		
14055	14055-0622	CASE-GEAR	1		
14093	14093-0439	COVER	1		
39115	39115-0025	SHAFT-IDLER	1		
43049	43049-0035	PACKING	1		
43049A	43049-0036	PACKING	1		
49035	49035-0016	PIN-SPRING	2		
49074	49074-0003	PLATE-THRUST	2		
49074	49074-0005	PLATE-THRUST,O/S,0.25	AR		
92004	92004-0744	STUD,8X60	2		
92043	92043-0883	PIN,KNOCK	2		
92043A	92043-0884	PIN,6X10	2		
92049	92049-0787	SEAL-OIL	1		
92049A	92049-0788	SEAL-OIL	1		
92055	92055-0854	RING-O	1		
92055A	92055-0855	RING-O	1		
92066	92066-0846	PLUG	3		

Callout	Part Number	Description	Qty	Remarks	
92066A	92066-0847	PLUG	1		
92066B	92066-0849	PLUG	1		
92066C	92066-0850	PLUG	3		
92066D	92066-0860	PLUG	4		
92141	92141-0004	BEARING-PLANE,STD	4		
92141	92141-0005	BEARING-PLANE,U/S,0.25	AR		
92154	92154-1981	BOLT,FLANGED	16		
92154A	92154-1982	BOLT,FLANGED	14		
92154B	92154-1983	BOLT,SOCKET	4		
92154C	92154-1984	BOLT,FLANGED,8X35	7		
92154D	92154-1995	BOLT,FLANGED,6X40	3		
92154E	92154-2000	BOLT,FLANGED,8X45	4		
92210	92210-1473	NUT,8MM	2		



Callout	Part Number	Description	Qty	Remarks	
13002	13002-0047	PIN-PISTON	3		
13008	13008-0563	RING-SET-PISTON,STD	3		
13008A	13008-0566	RING-SET-PISTON,O/S,0.25	AR		
13031	13031-0841	CRANKSHAFT-COMP	1		
13340	13340-0004	PISTON-ASSY-ENGINE,STD	3		
13340A	13340-0005	PISTON-ASSY-ENGINE,O/S,0.25	AR		
16085	16085-0655	GEAR,RING	1		
21194	21194-0037	FLYWHEEL-COMP	1		
49035	49035-0017	PIN-SPRING	1		
49072	49072-0001	ROD-COMP-CONNECTING	3		
49079	49079-0026	PULLEY-BELT	1		
92033	92033-0774	RING-SNAP	6		
92043	92043-0886	PIN,8X16	1		
92139	92139-0860	BUSHING,STD	3		
92139A	92139-0864	BUSHING,U/S,0.25	AR		
92139B	92139-0865	BUSHING,PISTON PIN	3		
92154	92154-1992	BOLT,FLYWHEEL	5		
92154A	92154-1993	BOLT,FLANGED	1		
92154B	92154-1994	BOLT,CONNECTING ROD	6		

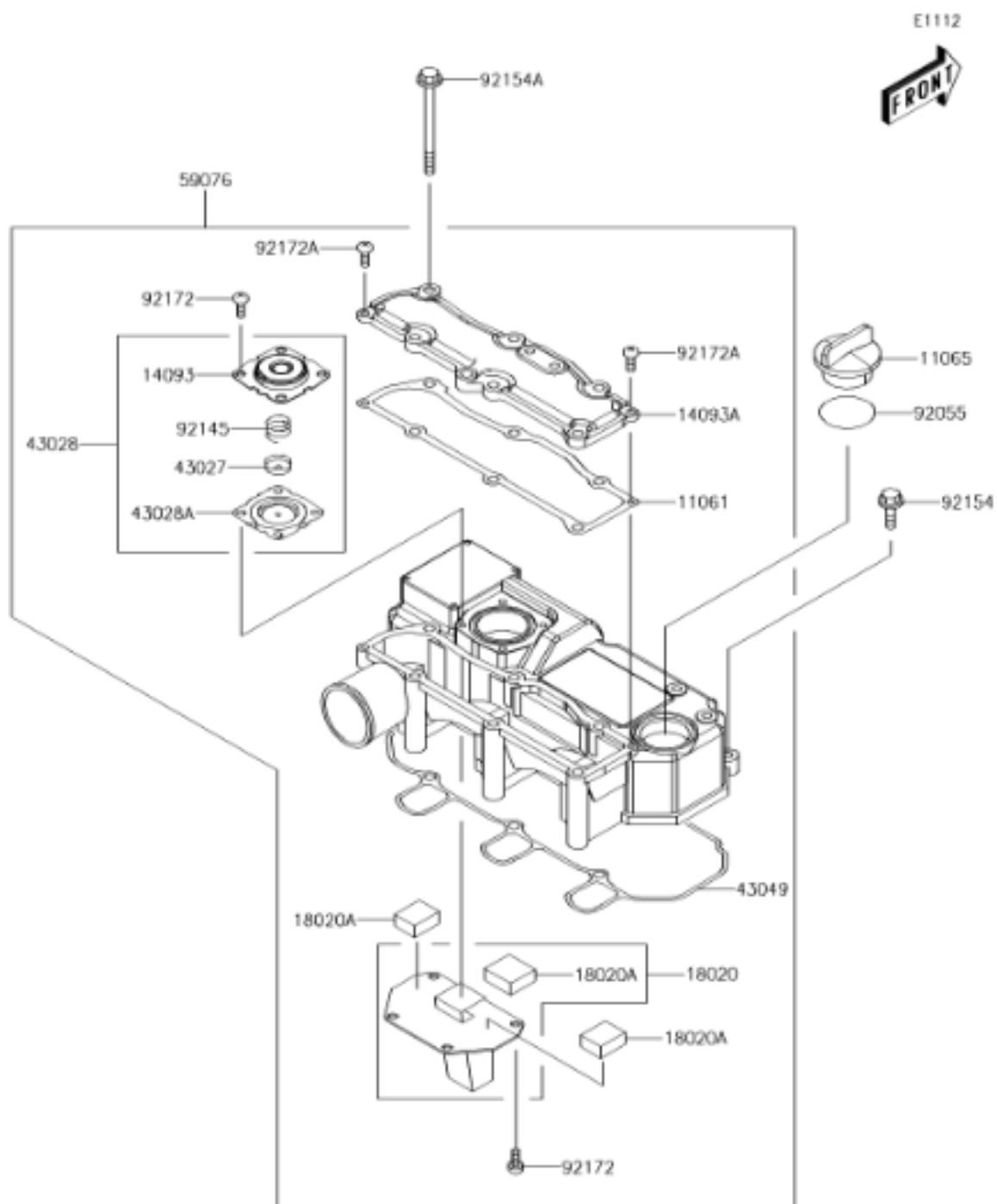
Callout	Part Number	Description	Qty	Remarks	
92200	92200-1807	WASHER	1		



Callout	Part Number	Description	Qty	Remarks	
11008	11008-0875	HEAD-COMP-CYLINDER	1		
11057	11057-1247	BRACKET,FRAME	1		
11065	11065-0942	CAP,NOZZLE	3		
12004	12004-0739	VALVE-INTAKE	3		
12005	12005-0759	VALVE-EXHAUST	3		
12009	12009-0029	RETAINER-VALVE SPRING	6		
12011	12011-0004	COLLET	12		
12016	12016-0044	ARM-ROCKER	1		
12016A	12016-0045	ARM-ROCKER	6		
12020	12020-0018	SHAFT-ROCKER	1		
13159	13159-0019	CONNECTOR,PLUG-GLOW	1		
14093	14093-0440	COVER,VALVE	6		
27012	27012-0819	HOOK	1		
43049	43049-0037	PACKING,NOZZLE	6		
43094	43094-0006	ADJUSTER,VALVE	6		
49002	49002-0032	GUIDE-VALVE	6		
49027	49027-0001	HOLDER-ROCKER	3		
49036	49036-0002	PLUG-GLOW	3		
49078	49078-0731	SPRING-ENGINE VALVE	6		

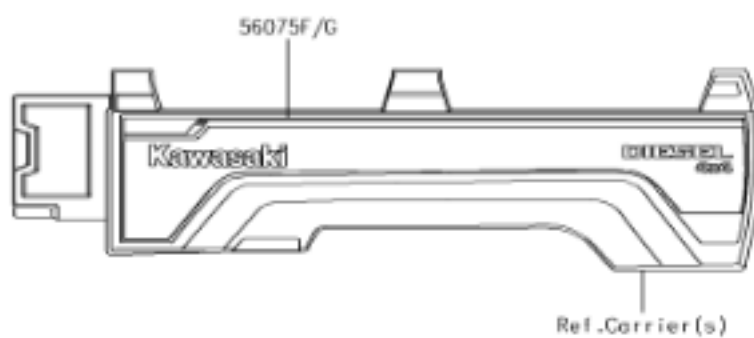
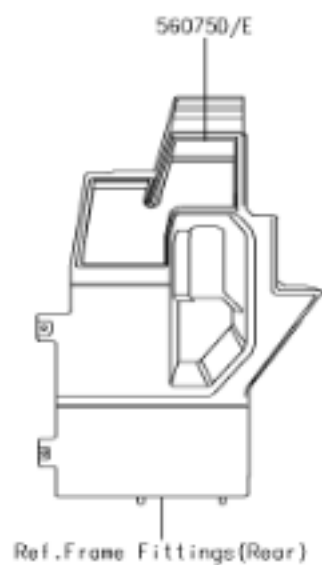
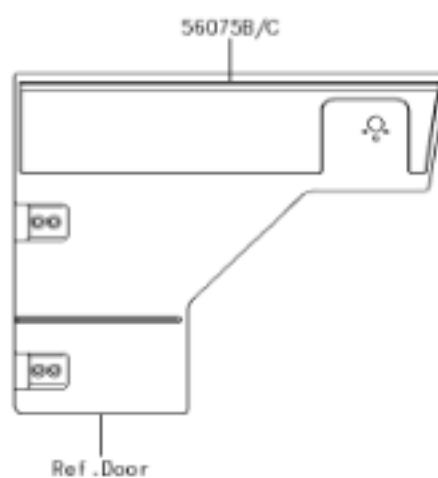
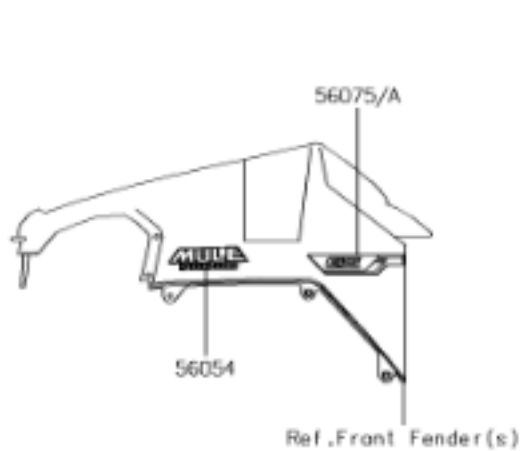


Callout	Part Number	Description	Qty	Remarks	
92033	92033-0773	RING-SNAP	2		
92049	92049-0789	SEAL-OIL,INTAKE	3		
92049A	92049-0790	SEAL-OIL,EXHAUST	3		
92066	92066-0847	PLUG	1		
92066A	92066-0852	PLUG	2		
92145	92145-1711	SPRING	2		
92154	92154-1987	BOLT,FLANGED,8X40	3		
92154A	92154-2071	BOLT,FLANGED,8X16	5		
92172	92172-0984	SCREW,5X16	1		
92210	92210-1468	NUT,8MM	6		

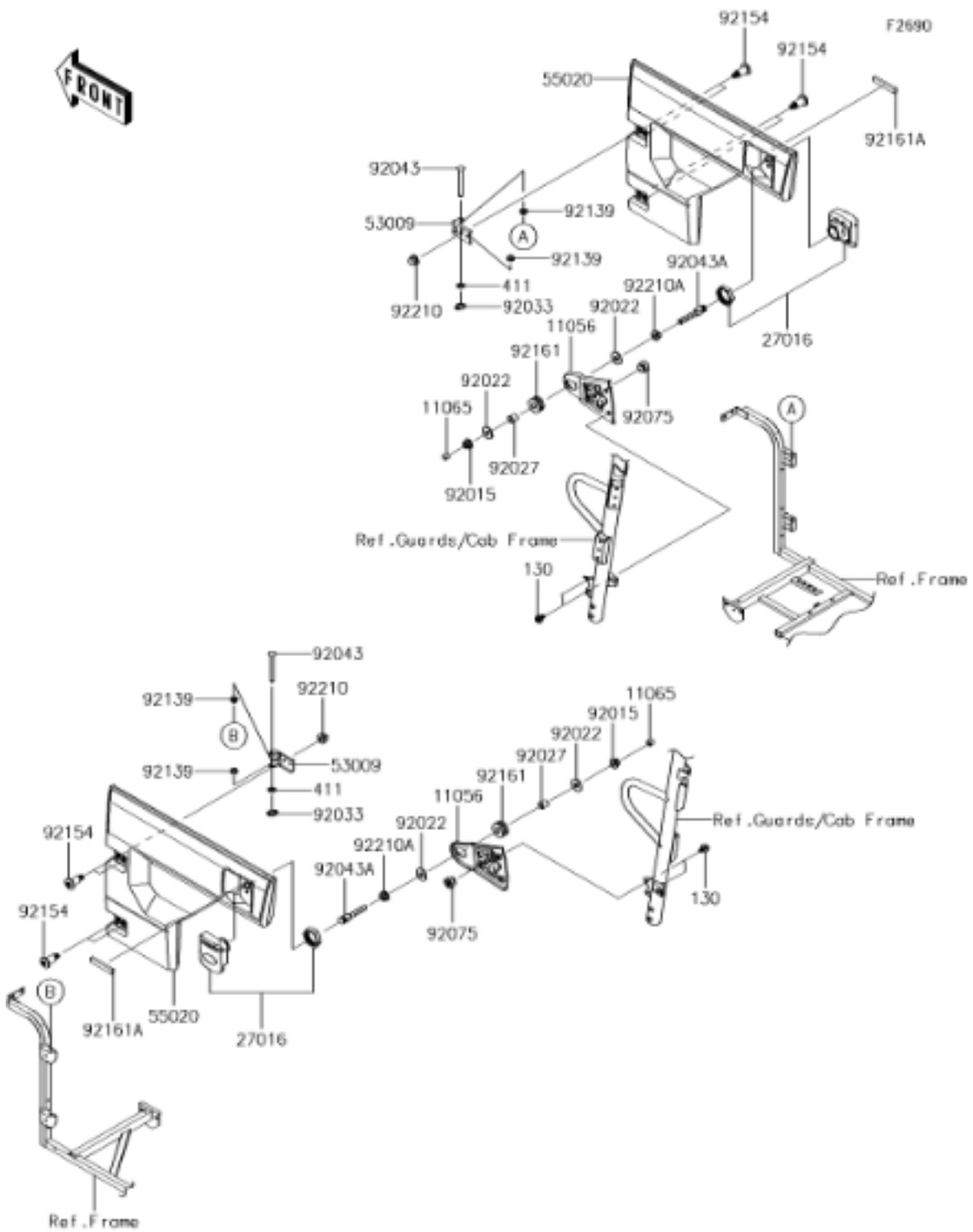


Callout	Part Number	Description	Qty	Remarks	
11061	11061-1193	GASKET,INTAKE MANIFOLD COVER	1		
11065	11065-0943	CAP,FILLER	1		
14093	14093-0442	COVER,DIAPHRAGM	1		
14093A	14093-0444	COVER,INTAKE MANIFOLD	1		
18020	18020-0723	BAFFLE,PLATE	1		
18020A	18020-0724	BAFFLE,BREATHER	3		
43027	43027-0009	PLATE-DIAPHRAGM	1		
43028	43028-0019	DIAPHRAGM,ASSY	1		
43028A	43028-0020	DIAPHRAGM	1		
43049	43049-0038	PACKING,INTAKE MANIFOLD	1		
59076	59076-0014	MANIFOLD-INTAKE	1		
92055	92055-0856	RING-O	1		
92145	92145-1712	SPRING	1		
92154	92154-1988	BOLT,FLANGED,6X20	3		
92154A	92154-1989	BOLT,FLANGED,6X75	6		
92172	92172-0985	SCREW,5X10	8		
92172A	92172-0986	SCREW,5X16	2		

F2861



Callout	Part Number	Description	Qty	Remarks	
56054	56054-1963	MARK,FR FENDER,MULE PRO-DX	2		
56075	56075-0624	PATTERN,FR FENDER,LH,EPS	1		
56075	56075-0625	PATTERN,FR FENDER,RH,EPS	1		
56075B	56075-0626	PATTERN,SIDE GUARD,LH,FR	1		
56075B	56075-0627	PATTERN,SIDE GUARD,RH,FR	1		
56075D	56075-0734	PATTERN,CARRIER,LH,FR	1		
56075D	56075-0735	PATTERN,CARRIER,RH,FR	1		
56075F	56075-1383	PATTERN,RR CARRIER,LH	1		
56075F	56075-1384	PATTERN,RR CARRIER,RH	1		

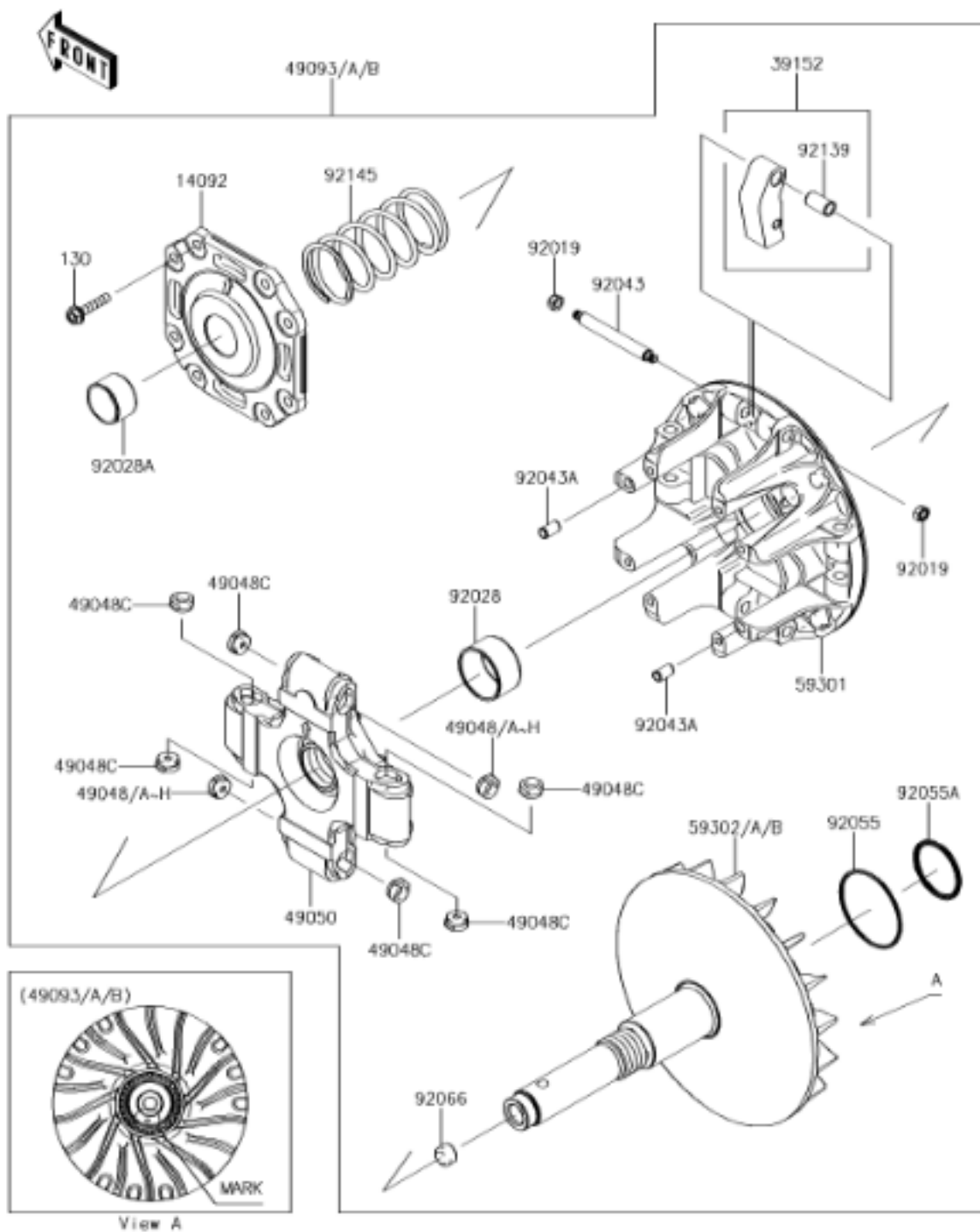


Callout	Part Number	Description	Qty	Remarks	
130	130BA0610	BOLT-FLANGED,6X10	4		
411	411AB0600	WASHER-PLAIN,6MM	4		
11056	11056-2856	BRACKET,DOOR GUARD	2		
11065	11065-7504	CAP	2		
27016	27016-0084	LOCK-ASSY	2		
53009	53009-0303	HINGE	4		
55020	55020-0936-6Z	GUARD,FR,F.BLACK	2		
92015	92015-1432	NUT,8MM	2		
92022	92022-3026	WASHER,PLAIN	4		
92027	92027-102	COLLAR,8.8X12X10.7	2		
92033	92033-0719	RING-SNAP	4		
92043	92043-0743	PIN,6X56	4		
92043A	92043-0788	PIN,DOOR LOCK	2		
92075	92075-1598	DAMPER	2		
92139	92139-0709	BUSHING,6X8X6	8		
92154	92154-1369	BOLT,SOCKET,8X30	8		
92161	92161-1691	DAMPER,10X26X11.5	2		
92161A	92161-1837	DAMPER,9X52X5	2		
92210	92210-0488	NUT,CAP,8MM	8		

Callout	Part Number	Description	Qty	Remarks	
92210A	92210-0555	NUT,FLANGED,8MM	2		



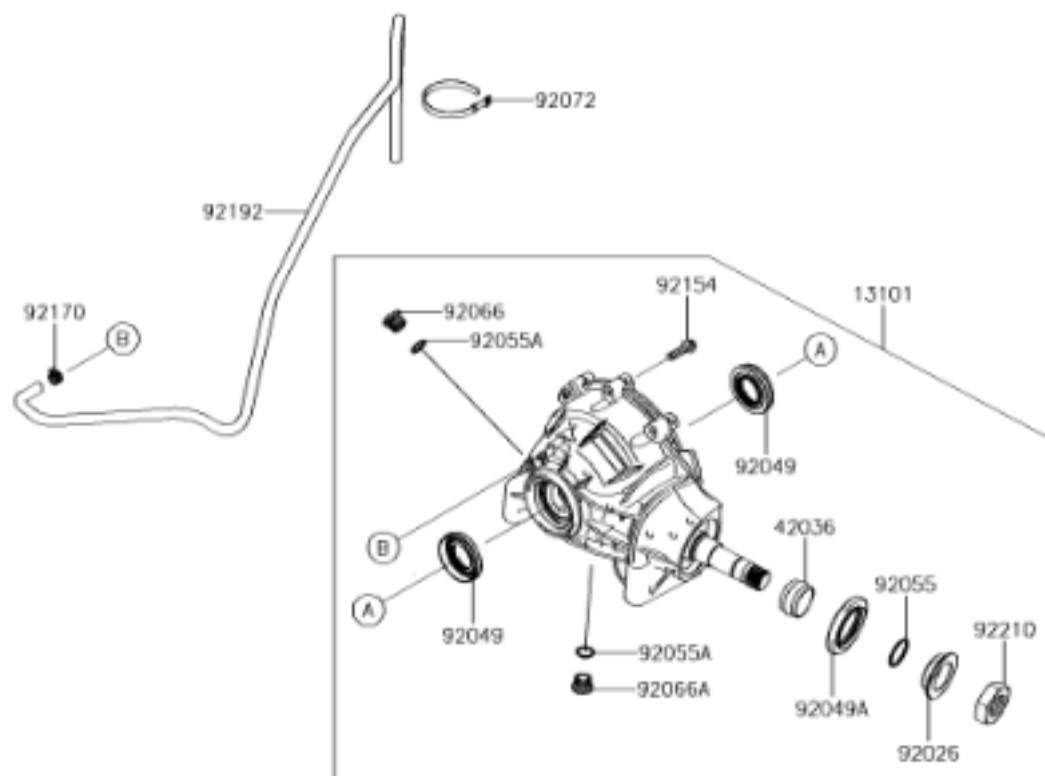
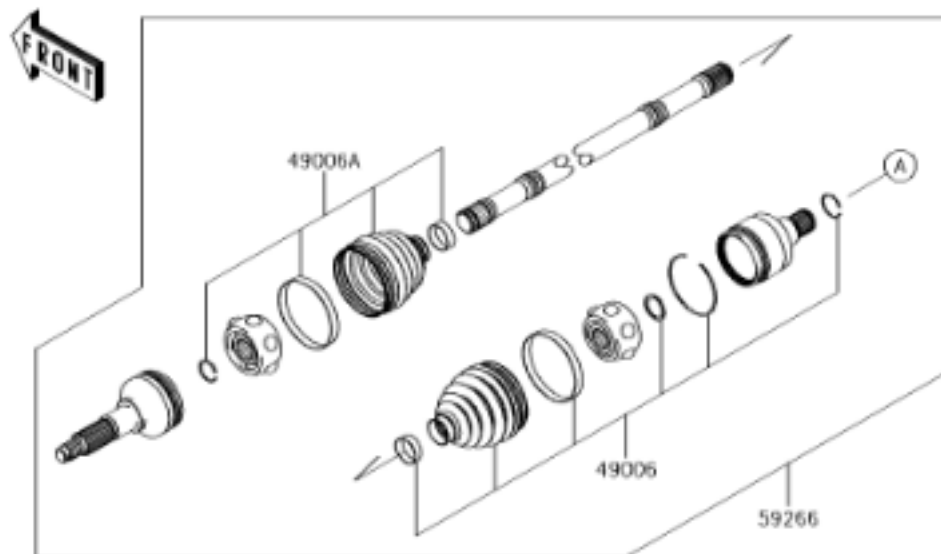
E1391



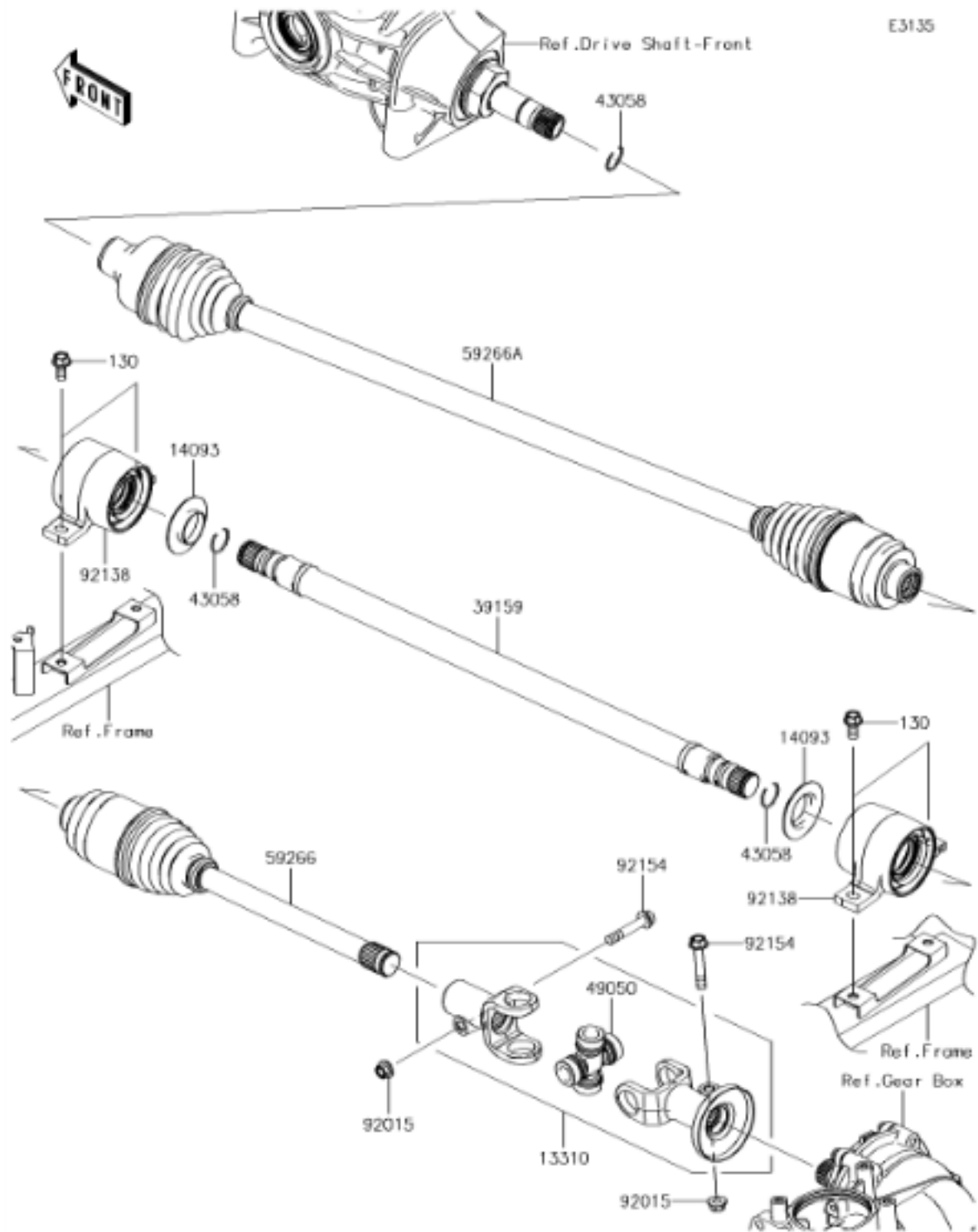
Callout	Part Number	Description	Qty	Remarks	
130	130CA0630	BOLT-FLANGED,6X30	8		
14092	14092-1201	COVER	1		
39152	39152-0043	WEIGHT-RAMP	4		
49048	49048-1087	SHOE,T=7.2	AR		
49048	49048-1088	SHOE,T=7.3	AR		
49048	49048-1089	SHOE,T=7.4	AR		
49048C	49048-1090	SHOE,T=7.5	8		
49048	49048-1091	SHOE,T=7.6	AR		
49048	49048-1092	SHOE,T=7.7	AR		
49048	49048-1093	SHOE,T=7.8	AR		
49048	49048-1094	SHOE,T=7.9	AR		
49048	49048-1095	SHOE,T=8.0	AR		
49050	49050-1083	SPIDER	1		
49093	49093-0050	CONVERTER-DRIVE,B MARK,WHITE	1		
49093	49093-0069	CONVERTER-DRIVE,A MARK,BLUE	1		
49093	49093-0070	CONVERTER-DRIVE,C MARK,YELLOW	1		
59301	59301-0025	SHEAVE-MOVABLE	1		
59302	59302-0092	SHEAVE-COMP,B MARK,WHITE	1		
59302	59302-0093	SHEAVE-COMP,A MARK,BLUE	1		

Callout	Part Number	Description	Qty	Remarks	
59302	59302-0094	SHEAVE-COMP,C MARK,YELLOW	1		
92019	92019-008	NUT,LOCK,6MM	8		
92028	92028-1975	BUSHING	1		
92028A	92028-1980	BUSHING	1		
92043	92043-0809	PIN	4		
92043A	92043-1263	PIN,6.2X8X14	2		
92055	92055-0753	RING-O,59.5X2.4	1		
92055A	92055-0789	RING-O,3.5X39.7	1		
92066	92066-0784	PLUG	1		
92139	92139-1103	BUSHING,9X11X19.75	4		
92145	92145-1670	SPRING	1		

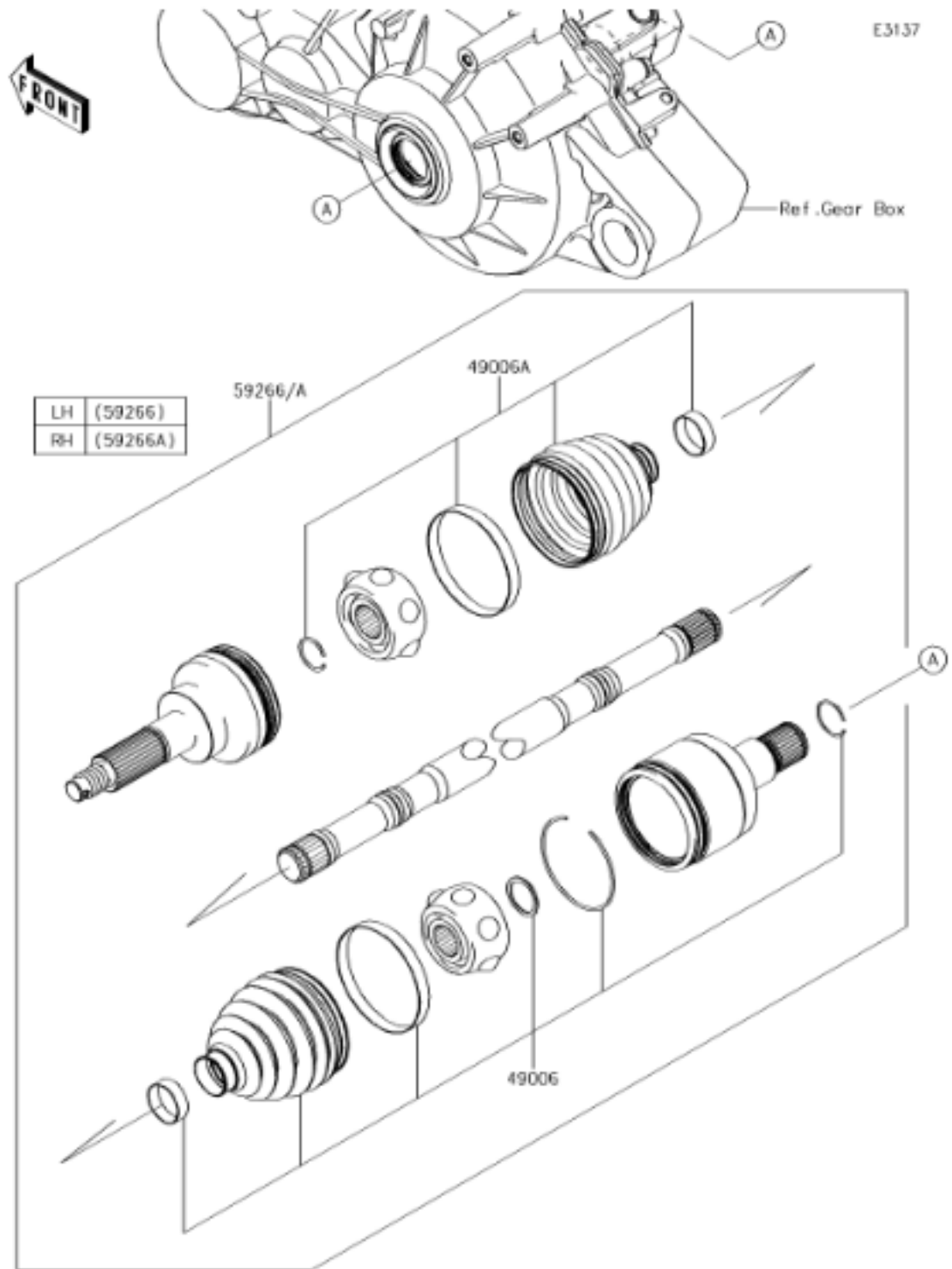
E3136



Callout	Part Number	Description	Qty	Remarks	
13101	13101-0662	GEAR-ASSY,FRONT DIFFERENTIAL	1		
42036	42036-0741	SLEEVE	1		
49006	49006-0578	BOOT,INSIDE	2		
49006A	49006-0584	BOOT,OUTSIDE	2		
59266	59266-0710	JOINT-BALL,FR	2		
92026	92026-0776	SPACER	1		
92049	92049-0760	SEAL-OIL,33X60X7	2		
92049A	92049-0766	SEAL-OIL,44X72X7	1		
92055	92055-0788	RING-O	1		
92055A	92055-0830	RING-O,15.3X2.2	2		
92066	92066-0777	PLUG	1		
92066A	92066-0778	PLUG	1		
92072	92072-056	BAND,L=186	1		
92154	92154-1370	BOLT,FLANGED,8X30	10		
92170	92170-2082	CLAMP	1		
92192	92192-1341	TUBE,BREATHER	1		
92210	92210-0894	NUT	1		

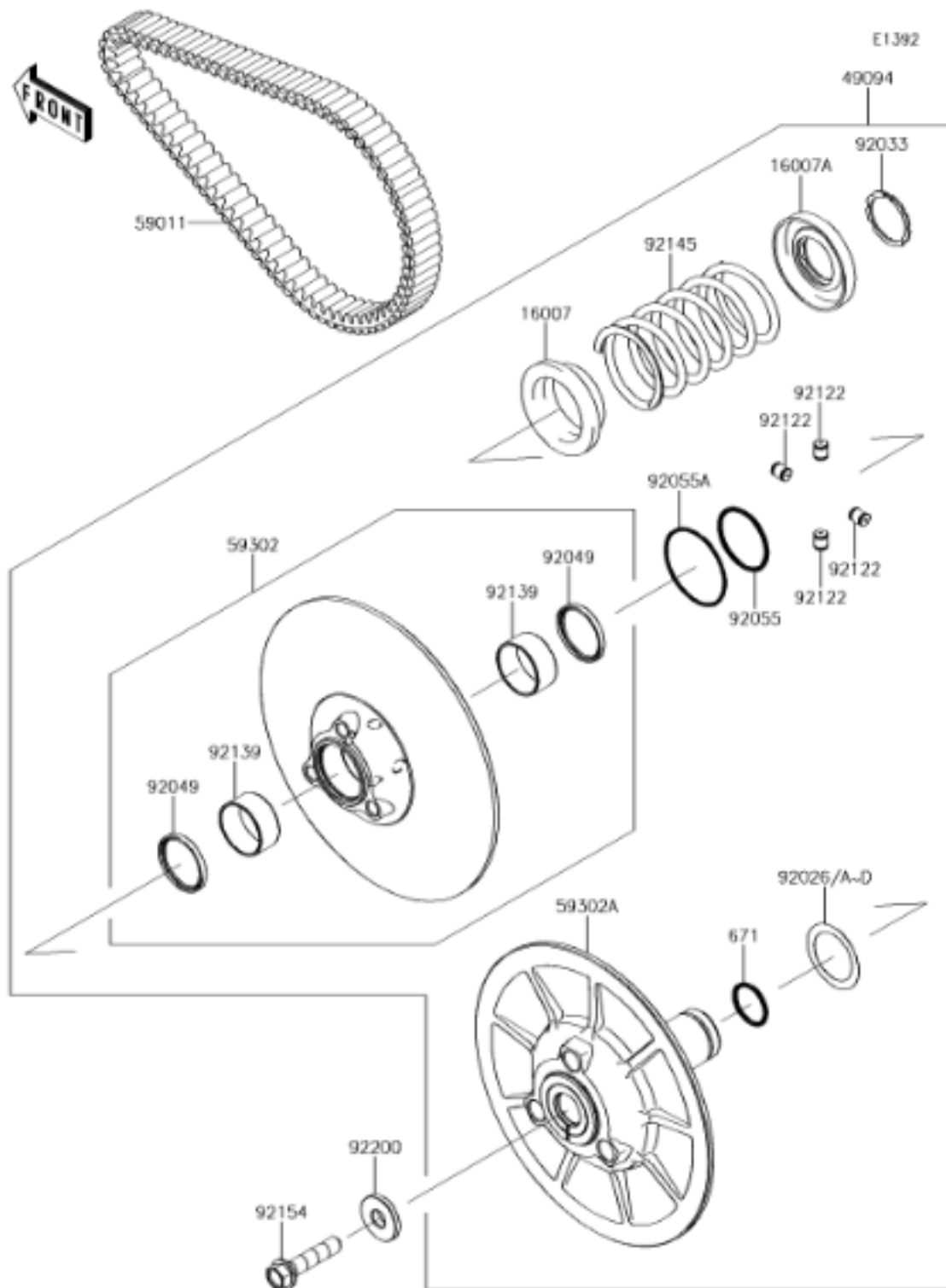


Callout	Part Number	Description	Qty	Remarks	
130	130BA0818	BOLT-FLANGED,8X18	4		
13310	13310-0038	SHAFT-ASSY	1		
14093	14093-0006	COVER,SIDE RIP	2		
39159	39159-0045	SHAFT-DRIVE	1		
43058	43058-0018	RING	3		
49050	49050-0034	SPIDER	1		
59266	59266-0716	JOINT-BALL,T/M SIDE	1		
59266A	59266-0717	JOINT-BALL,FR DIFF SIDE	1		
92015	92015-1432	NUT,8MM	2		
92138	92138-0002	BEARING-COMP	2		
92154	92154-1365	BOLT,FLANGED,8X46	2		



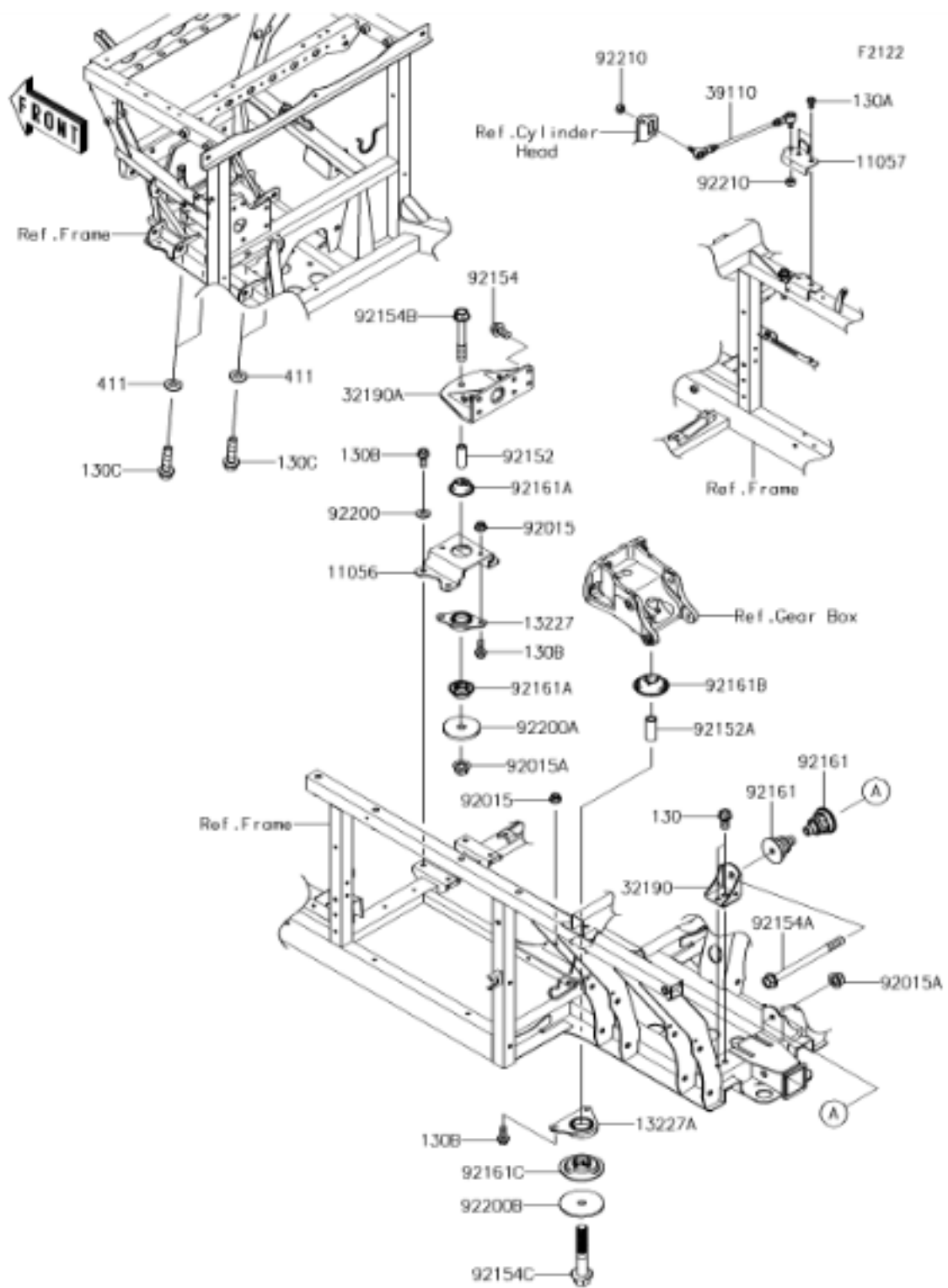


Callout	Part Number	Description	Qty	Remarks	
49006	49006-0585	BOOT,INSIDE	2		
49006A	49006-0586	BOOT,OUTSIDE	2		
59266	59266-0049	JOINT-BALL,RR,LH	1		
59266	59266-0050	JOINT-BALL,RR,RH	1		



Callout	Part Number	Description	Qty	Remarks	
671	671D2530	O RING	1		
16007	16007-0049	SEAT-SPRING,MOVABLE	1		
16007A	16007-0050	SEAT-SPRING,FIXED	1		
49094	49094-0095	CONVERTER-ASSY-DRIVEN	1		
59011	59011-0037	BELT,CVT	1		
59302	59302-0049	SHEAVE-COMP,MOVABLE	1		
59302A	59302-0095	SHEAVE-COMP,FIXED	1		
92026	92026-0034	SPACER,T=0.30	AR		
92026	92026-1565	SPACER,T=1.00	AR		
92026	92026-1569	SPACER,T=0.60	AR		
92026	92026-1570	SPACER,T=1.40	AR		
92026	92026-1617	SPACER,T=0.80	AR		
92033	92033-1317	RING-SNAP	1		
92049	92049-1528	SEAL-OIL	2		
92055	92055-0752	RING-O,46.4X3.1	1		
92055A	92055-0753	RING-O,59.5X2.4	1		
92122	92122-0043	ROLLER	4		
92139	92139-0313	BUSHING	2		
92145	92145-1671	SPRING	1		

Callout	Part Number	Description	Qty	Remarks	
92154	92154-1336	BOLT,FLANGED,12X55	1		
92200	92200-0069	WASHER	1		



Callout	Part Number	Description	Qty	Remarks	
130	130BA1020	BOLT-FLANGED,10X20	2		
130A	130CA0818	BOLT-FLANGED,8X18	2		
130B	130CA0820	BOLT-FLANGED,8X20	8		
130C	130CA1245	BOLT-FLANGED,12X45	4		
411	411AA1200	WASHER-PLAIN,12MM	4		
11056	11056-7475	BRACKET	1		
11057	11057-1233	BRACKET,TORQUE ROD	1		
13227	13227-0031	HOUSING	1		
13227A	13227-0032	HOUSING	1		
32190	32190-0662	BRACKET-ENGINE	1		
32190A	32190-0701	BRACKET-ENGINE,FR	1		
39110	39110-0046	ROD-ASSY-TIE	1		
92015	92015-1397	NUT,LOCK,FLANGED,8MM	4		
92015A	92015-1433	NUT,LOCK,FLANGED,12MM	2		
92152	92152-1802	COLLAR,13X19.1X54	1		
92152A	92152-2127	COLLAR,17X23.8X54.5	1		
92154	92154-1321	BOLT,FLANGED,10X20	6		
92154A	92154-1322	BOLT,FLANGED,12X150	1		
92154B	92154-1419	BOLT,FLANGED,12X80	1		

Callout	Part Number	Description	Qty	Remarks	
92154C	92154-1763	BOLT,FLANGED,16X86	1		
92161	92161-1616	DAMPER	2		
92161A	92161-1617	DAMPER	2		
92161B	92161-1618	DAMPER	1		
92161C	92161-1619	DAMPER	1		
92200	92200-0205	WASHER,8.2X20.0X2.5	4		
92200A	92200-0913	WASHER,12.5X55X4.76	1		
92200B	92200-1747	WASHER,16.5X100X4.76	1		
92210	92210-0606	NUT,LOCK,8MM	2		





Callout	Part Number	Description	Qty	Remarks	
14092	14092-1184	COVER,FR FLOOR	1		
14092A	14092-1185	COVER,FR SEAT	1		
14092B	14092-1188	COVER,SIDE,LH,FR	1		
14092C	14092-1189	COVER,SIDE,RH,FR	1		
14092D	14092-1196	COVER,FLOOR,BOTTOM	1		
55020	55020-0961	GUARD	1		
92039	92039-0776	RIVET	20		
92071	92071-0728	GROMMET,9X45X9	1		
92071A	92071-0753	GROMMET,8X22X8	1		
92093	92093-0617	SEAL,10X20X165	1		
92161	92161-1649	DAMPER	1		
92172	92172-0711	SCREW,6X16	22		
92172A	92172-0739	SCREW,TAPPING,6X16	2		



Callout	Part Number	Description	Qty	Remarks	
13272	13272-1828	PLATE,LATCH	2		
14093	14093-0167-6Z	COVER,SIDE,LH,FR,F.BLACK	1		
14093A	14093-0168-6Z	COVER,SIDE,RH,FR,F.BLACK	1		
14093B	14093-0169	COVER,SIDE,LH,RR	1		
14093C	14093-0171	COVER,SEAT,BACK	1		
14093D	14093-0173	COVER,SIDE,RH,RR	1		
14093E	14093-0296	COVER,DUST	1		
14093F	14093-0371	COVER,SIDE,RH,A/C MAINT.	1		
14093G	14093-0372	COVER,SIDE,RH,A/C,FR	1		
14093H	14093-0388	COVER,RR,FLOOR,MUD,LH	1		
14093I	14093-0389	COVER,RR,FLOOR,MUD,RH	1		
14093J	14093-0634	COVER,MAINTENANCE ROOM,RUBBER	1		
27012	27012-0806	HOOK,STRIKER	1		
49031	49031-0007	LATCH,A/C	1		
49031A	49031-0015	LATCH,TOGGLE	1		
92027	92027-1168	COLLAR,L=4.6	2		
92039	92039-0086	RIVET	12		
92039A	92039-0739	RIVET,3.2X13.4	4		
92039B	92039-0747	RIVET	4		

Callout	Part Number	Description	Qty	Remarks	
92039C	92039-0776	RIVET	31		
92066	92066-0812	PLUG,36X20	2		
92071	92071-056	GROMMET	4		
92075	92075-1808	DAMPER,6X10X15	2		
92075A	92075-261	DAMPER,RUBBER	3		
92093	92093-0631	SEAL,DUST,20X20X565	1		
92093A	92093-0633	SEAL,DUST,20X25X280	1		
92093B	92093-0643	SEAL,DUST,61X368X10	1		
92093C	92093-0644	SEAL,DUST,39X255X15	1		
92093D	92093-0645	SEAL,DUST,69X207X10	1		
92093E	92093-0646	SEAL,DUST,15X305X20	1		
92093F	92093-0651	SEAL,52X72X20	1		
92093G	92093-0652	SEAL,21.5X60X20	1		
92093H	92093-0715	SEAL,99X85X30	1		
92161	92161-1827	DAMPER,25X60X3.175	1		
92172	92172-0236	SCREW,6X16	2		
92172A	92172-0711	SCREW,6X16	12		

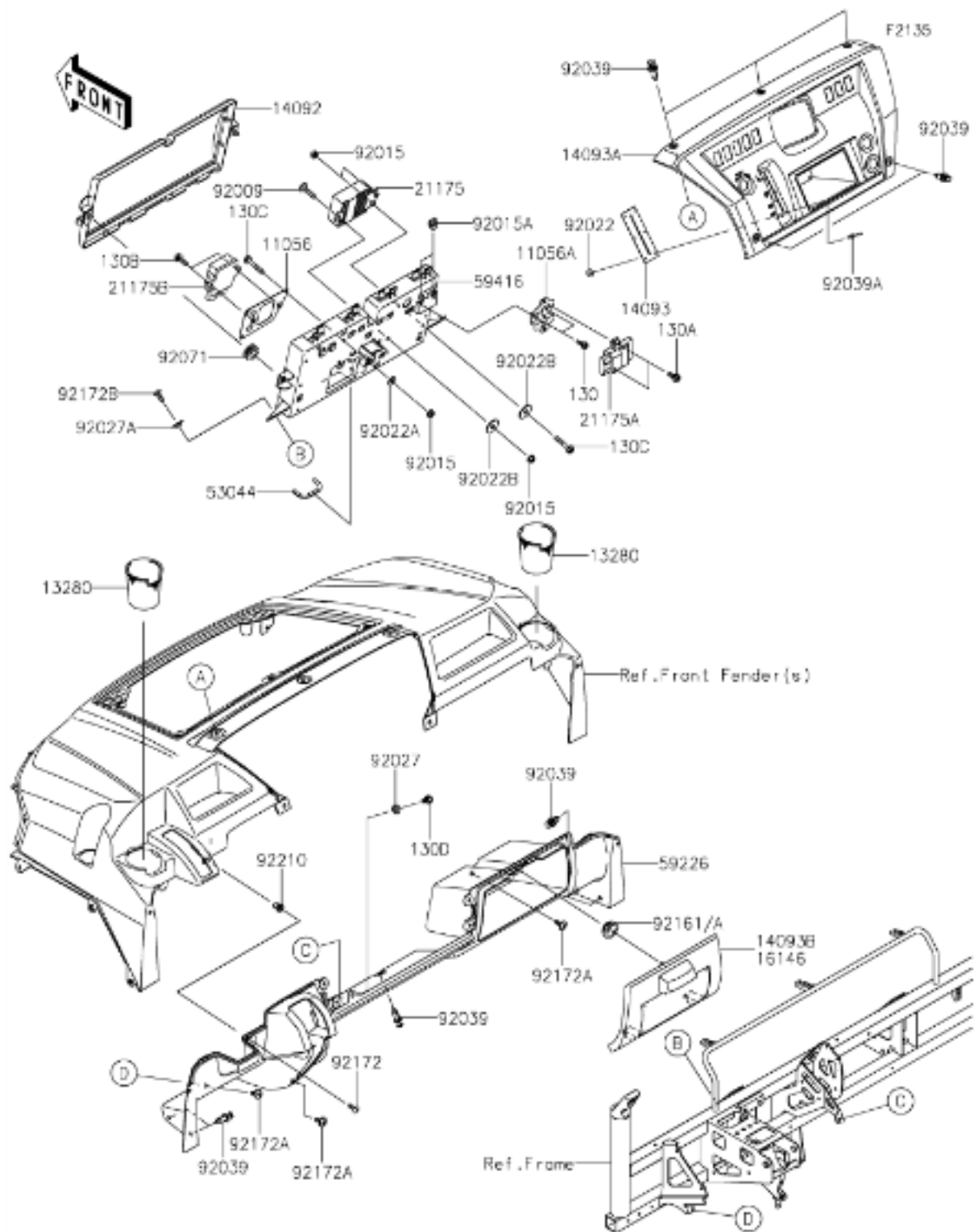


Callout	Part Number	Description	Qty	Remarks	
130	130BA0618	BOLT-FLANGED,6X18	4		
130A	130BA0814	BOLT-FLANGED,8X14	8		
130B	130BA0825	BOLT-FLANGED,8X25	4		
130C	130BA0860	BOLT-FLANGED,8X60	8		
130D	130BA1065	BOLT-FLANGED,10X65	4		
130E	130BA1070	BOLT-FLANGED,10X70	8		
130F	130CA0830	BOLT-FLANGED,8X30	1		
130G	130CA0845	BOLT-FLANGED,8X45	4		
130H	130CA1075	BOLT-FLANGED,10X75	4		
318	318BA0800	NUT-HEX-SMALL,8MM	1		
410	410AA1400	WASHER-PLAIN-SMALL,14MM	2		
550	550AA3025	PIN-COTTER,3.0X25	2		
11056	11056-2838	BRACKET	1		
11065	11065-0901	CAP	1		
16172	16172-0557	ACTUATOR,EPS	1		
31064	31064-0706	PIPE-COMP,SEAT SIDE,LH	1		
31064A	31064-0707	PIPE-COMP,SEAT SIDE,RH	1		
32181	32181-0011	FRAME-SUB-COMP,DASH PANEL	1		
32181A	32181-0014	FRAME-SUB-COMP,SEAT	1		

Callout	Part Number	Description	Qty	Remarks	
39043	39043-0020	CROSSMEMBER-COMP,RR CROSS	1		
39043A	39043-0026	CROSSMEMBER-COMP,C-PILLAR	1		
39051	39051-0012	FRAME-COMP-SIDE,LH	1		
39051B	39051-0014	FRAME-COMP-SIDE,RH	1		
39114	39114-0015	SHAFT-COMP-STRG	1		
39114A	39114-0019	SHAFT-COMP-STRG	1		
39190	39190-0006	SHAFT-ASSY-STEERING	1		
39191	39191-0030	GEAR-ASSY-STEERING	1		
59266	59266-0712	JOINT-BALL	2		
92015	92015-1432	NUT,8MM	8		
92015A	92015-1433	NUT,LOCK,FLANGED,12MM	3		
92015B	92015-1791	NUT,POP,6MM,L=15	12		
92015C	92015-1841	NUT,CASTLE,14MM	2		
92139	92139-0230	BUSHING	2		
92152	92152-1848	COLLAR,8.2X18X5	1		
92152A	92152-2149	COLLAR,8.5X30X10.6	6		
92154	92154-1008	BOLT,FLANGED,12X50	3		
92154A	92154-1226	BOLT,FLANGED,8X20	7		
92154B	92154-1320	BOLT,6X21.5	2		

Callout	Part Number	Description	Qty	Remarks	
92161	92161-1689	DAMPER	1		
92161A	92161-1825	DAMPER,GAS SPRING	1		
92161B	92161-7517	DAMPER,ACTUATOR	3		
92200	92200-1595	WASHER,10.5X25X1.6	8		
92210	92210-0276	NUT,LOCK,FLANGED,10MM	16		
92210A	92210-0303	NUT,LOCK,FLANGED,6MM	2		
92210B	92210-0934	NUT,HARD LOCK,8MM	2		
92210C	92210-0969	NUT,16MM	2		

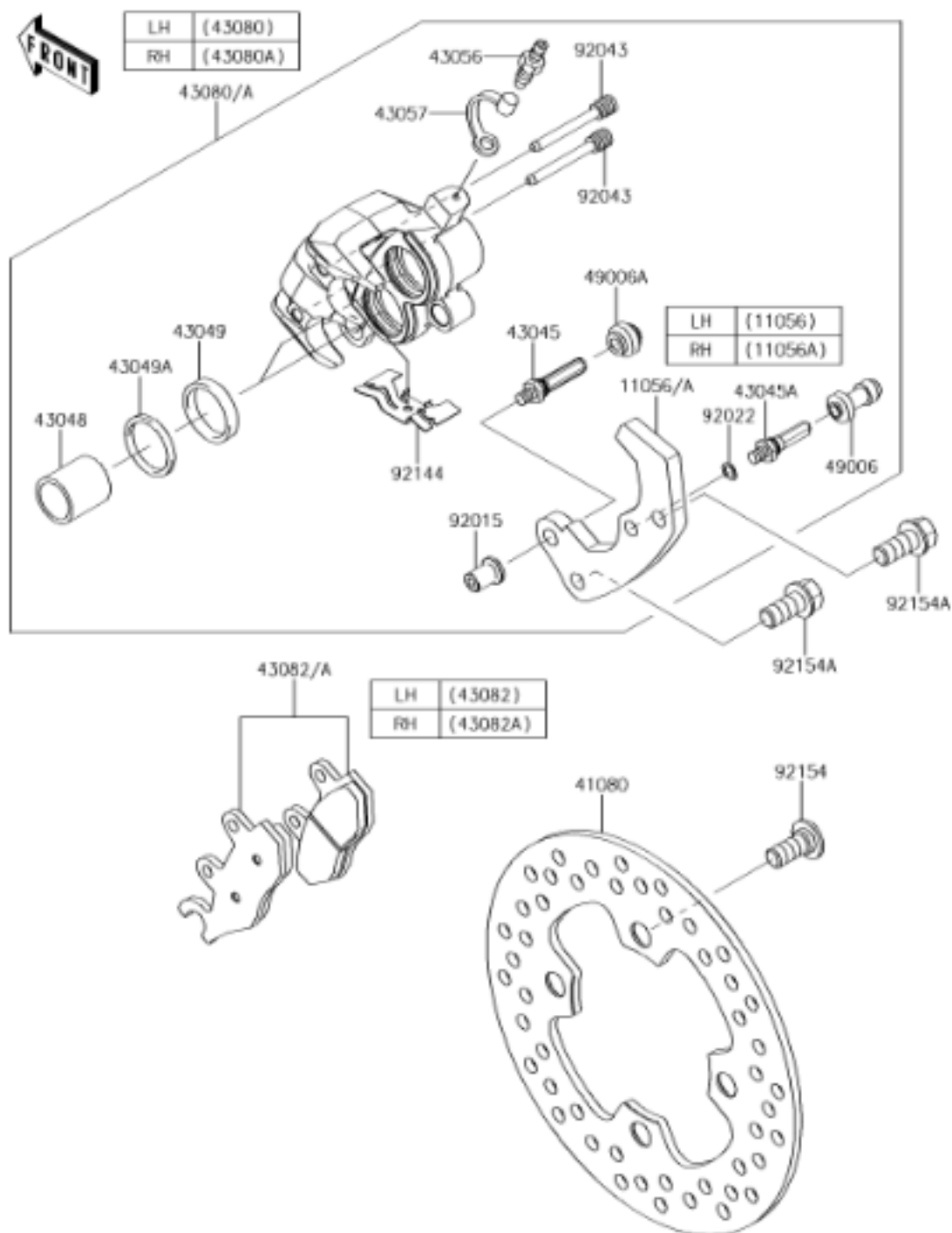




Callout	Part Number	Description	Qty	Remarks	
130	130BA0516	BOLT-FLANGED,5X16	2		
130A	130BA0616	BOLT-FLANGED,6X16	2		
130B	130BA0618	BOLT-FLANGED,6X18	2		
130C	130BA0635	BOLT-FLANGED,6X35	5		
130D	130CA0616	BOLT-FLANGED,6X16	1		
11056	11056-7476	BRACKET,SOLENOID	1		
11056A	11056-7477	BRACKET,CONTROLLER	1		
13280	13280-0774	HOLDER,CUP	2		
14092	14092-1197	COVER,ELECTRIC BOX	1		
14093	14093-0146	COVER,SHIFT LEVER	1		
14093A	14093-0306	COVER,DASHBOARD	1		
14093B	14093-0611	COVER,GLOVE BOX	1		
21175	21175-1103	ECU,ELECTRIC POWER STEERING	1		
21175A	21175-1105	ECU,VEHICLE CONTROLLER(DRIVE)	1		
21175B	21175-1113	ECU,AIR PRESSURE SENSOR(FUEL)	1		
53044	53044-0572	TRIM	1		
59226	59226-0042	PANEL-CONTROL	1		
59416	59416-0025	CASE-ELECTRIC	1		
92009	92009-1400	SCREW,6X28,BLACK	1		

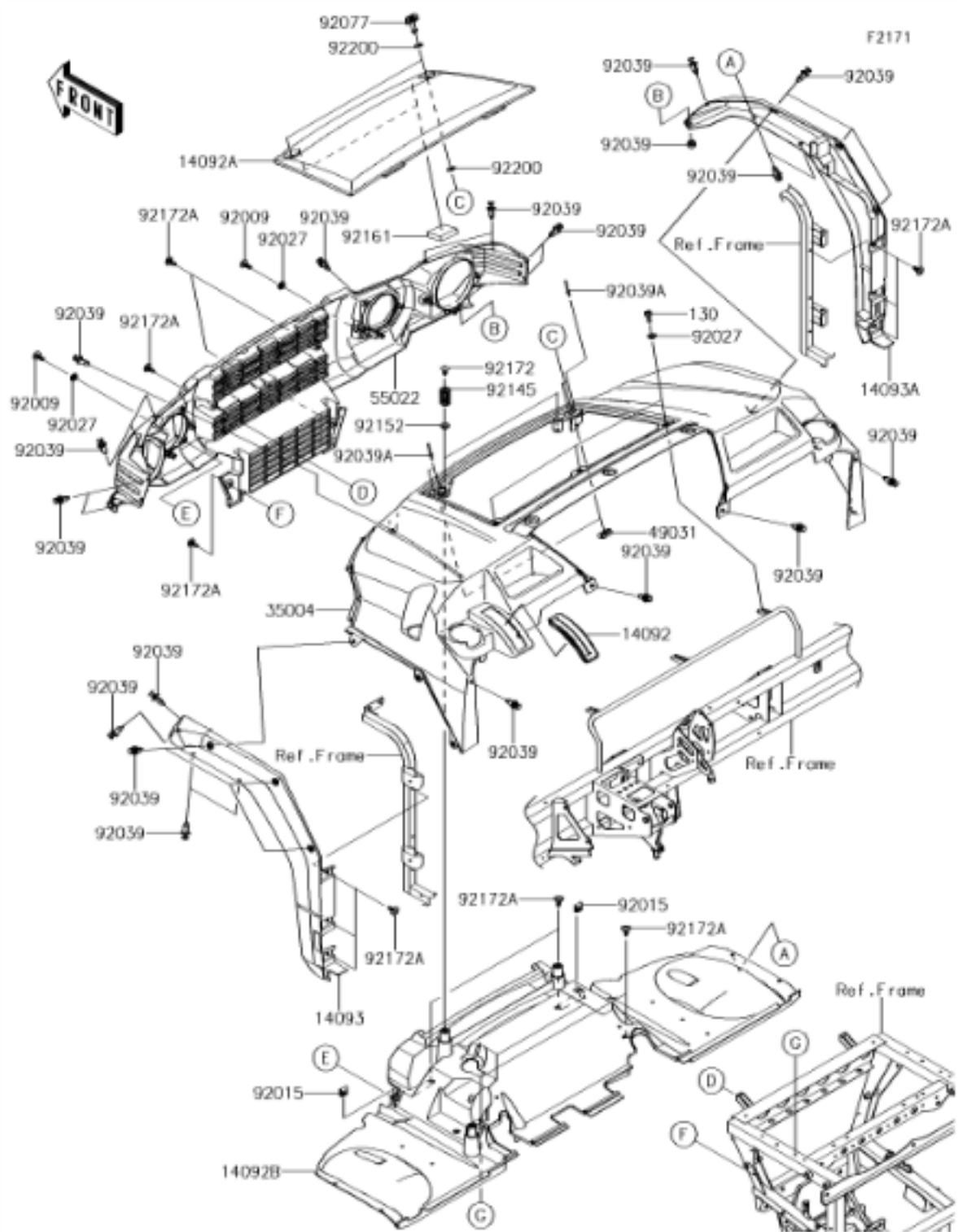
Callout	Part Number	Description	Qty	Remarks	
92015	92015-1367	NUT,FLANGED,6MM	6		
92015A	92015-1627	NUT,5MM	2		
92022	92022-1407	WASHER,3.3X12X1.2	6		
92022A	92022-2247	WASHER	3		
92022B	92022-237	WASHER,6.5X22X1.6	3		
92027	92027-1168	COLLAR,L=4.6	1		
92027A	92027-1260	COLLAR,L=5.1	2		
92039	92039-0776	RIVET	10		
92039A	92039-1231	RIVET	6		
92071	92071-1131	GROMMET	2		
92161	92161-1953	DAMPER,7.8X30X11	1		
92172	92172-0292	SCREW,5MM	1		
92172A	92172-0711	SCREW,6X16	3		
92172B	92172-0739	SCREW,TAPPING,6X16	2		
92210	92210-0370	NUT,WELL,5MM	1		

F2292



Callout	Part Number	Description	Qty	Remarks	
11056	11056-3807	BRACKET,LH	1		
11056	11056-3829	BRACKET,RH	1		
41080	41080-0608	DISC	2		
43045	43045-0011	SHAFT-CALIPER	2		
43045A	43045-1010	SHAFT-CALIPER	2		
43048	43048-1068	PISTON-CALIPER	4		
43049	43049-1060	PACKING,PISTON SEAL	4		
43049A	43049-1061	PACKING,PISTON SEAL	4		
43056	43056-1055	BREATHER	2		
43057	43057-1001	CAP-BREATHER	2		
43080	43080-0138	CALIPER-SUB-ASSY,FR,LH	1		
43080	43080-0139	CALIPER-SUB-ASSY,FR,RH	1		
43082	43082-0138	PAD-ASSY-BRAKE,FR,LH	1		
43082	43082-0146	PAD-ASSY-BRAKE,FR,RH	1		
49006	49006-1088	BOOT,CALIPER	2		
49006A	49006-1242	BOOT,CALIPER	2		
92015	92015-1740	NUT	2		
92022	92022-1373	WASHER,WAVE	2		
92043	92043-1416	PIN,HANGER	4		

Callout	Part Number	Description	Qty	Remarks	
92144	92144-1847	SPRING,PAD	2		
92154	92154-0713	BOLT,SOCKET,10X23	8		
92154A	92154-1327	BOLT,FLANGED,10X22	4		

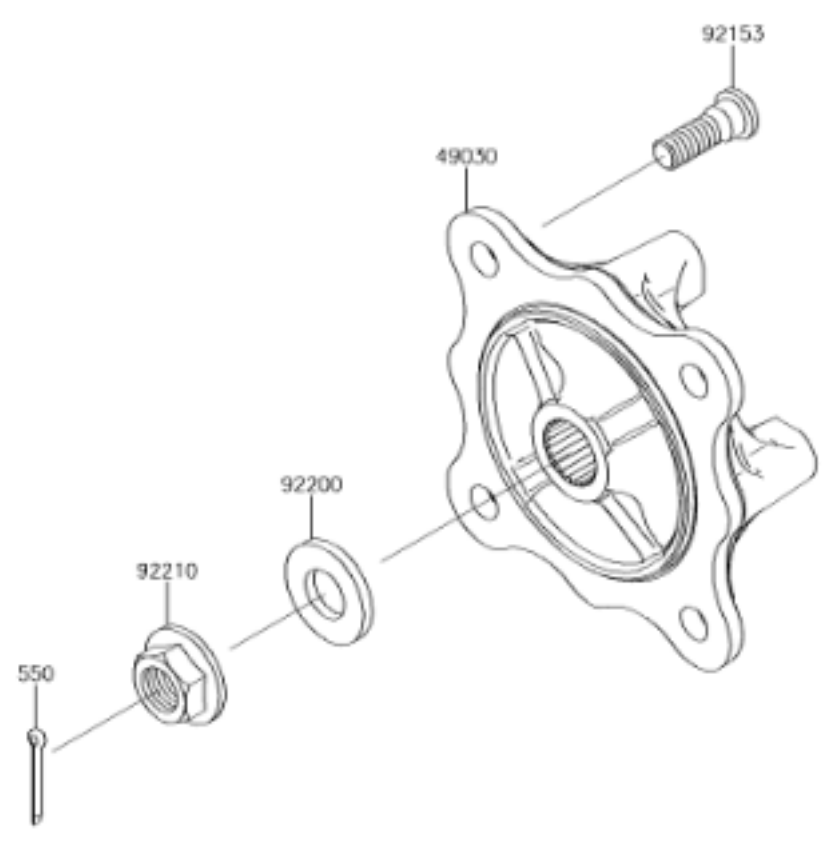


Callout	Part Number	Description	Qty	Remarks	
130	130CA0616	BOLT-FLANGED,6X16	3		
14092	14092-0791	COVER,CENTER CONSOLE,TOP	1		
14092A	14092-1177-42S	COVER,OPEN,T.GREEN	1		
14092B	14092-1194	COVER,TOP,FR INNER	1		
14093	14093-0596	COVER,SIDE,LH	1		
14093A	14093-0597	COVER,SIDE,RH	1		
35004	35004-0335-42S	FENDER-FRONT,T.GREEN	1		
49031	49031-0008	LATCH	2		
55022	55022-0309	COVER-HEAD LAMP	1		
92009	92009-1621	SCREW,6X16	2		
92015	92015-1678	NUT,CLAMP,6MM	2		
92027	92027-1168	COLLAR,L=4.6	5		
92039	92039-0776	RIVET	28		
92039A	92039-0785	RIVET,3.2X9.5	4		
92077	92077-0030	KNOB	2		
92145	92145-1727	SPRING,17X65	2		
92152	92152-0140	COLLAR	2		
92161	92161-1861	DAMPER,40X40X10	2		
92172	92172-0284	SCREW,6X16	2		



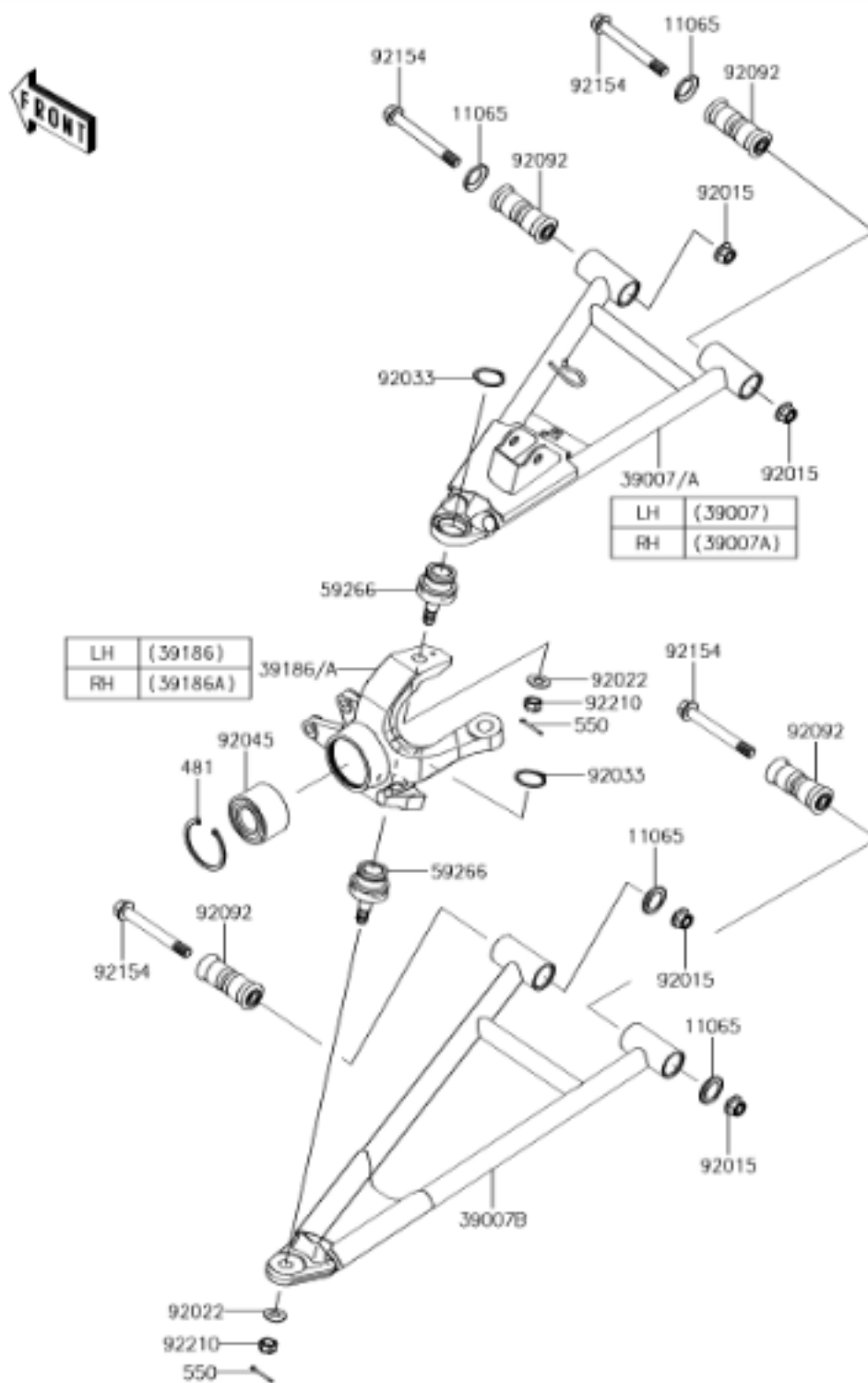
Callout	Part Number	Description	Qty	Remarks	
92172A	92172-0711	SCREW,6X16	14		
92200	92200-0503	WASHER	4		

F2230

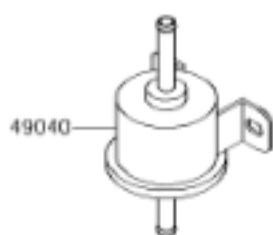
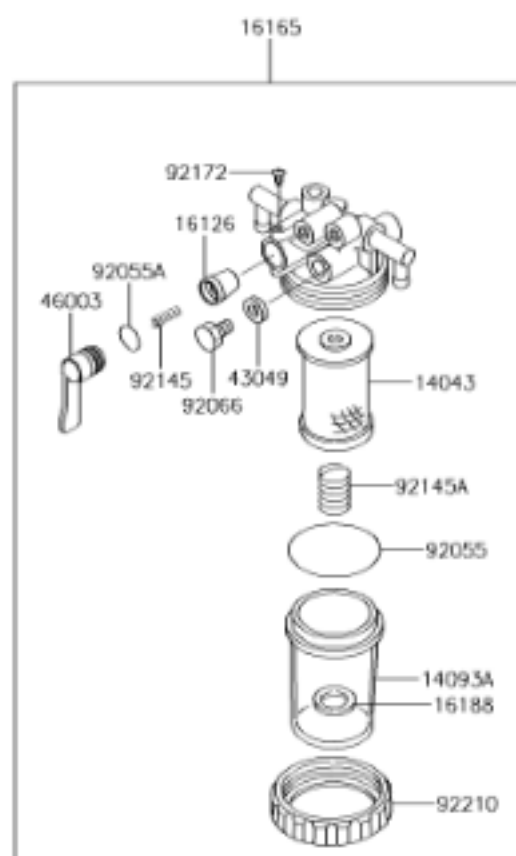
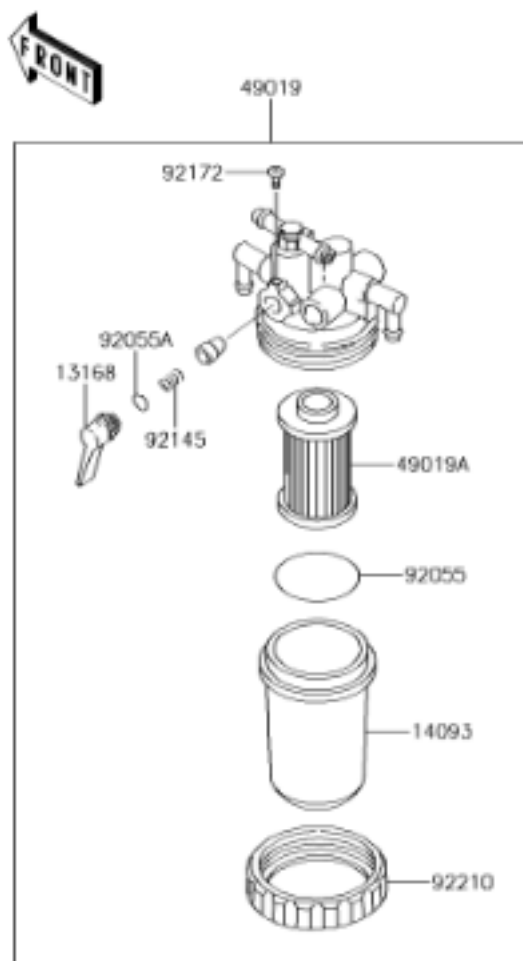


Callout	Part Number	Description	Qty	Remarks	
550	550AA4030	PIN-COTTER,4.0X30	2		
49030	49030-0048	HUB,FR	2		
92153	92153-1915	BOLT,12MM	8		
92200	92200-0921	WASHER,20.3X41X4.5	2		
92210	92210-2093	NUT,FLANGED,20MM	2		

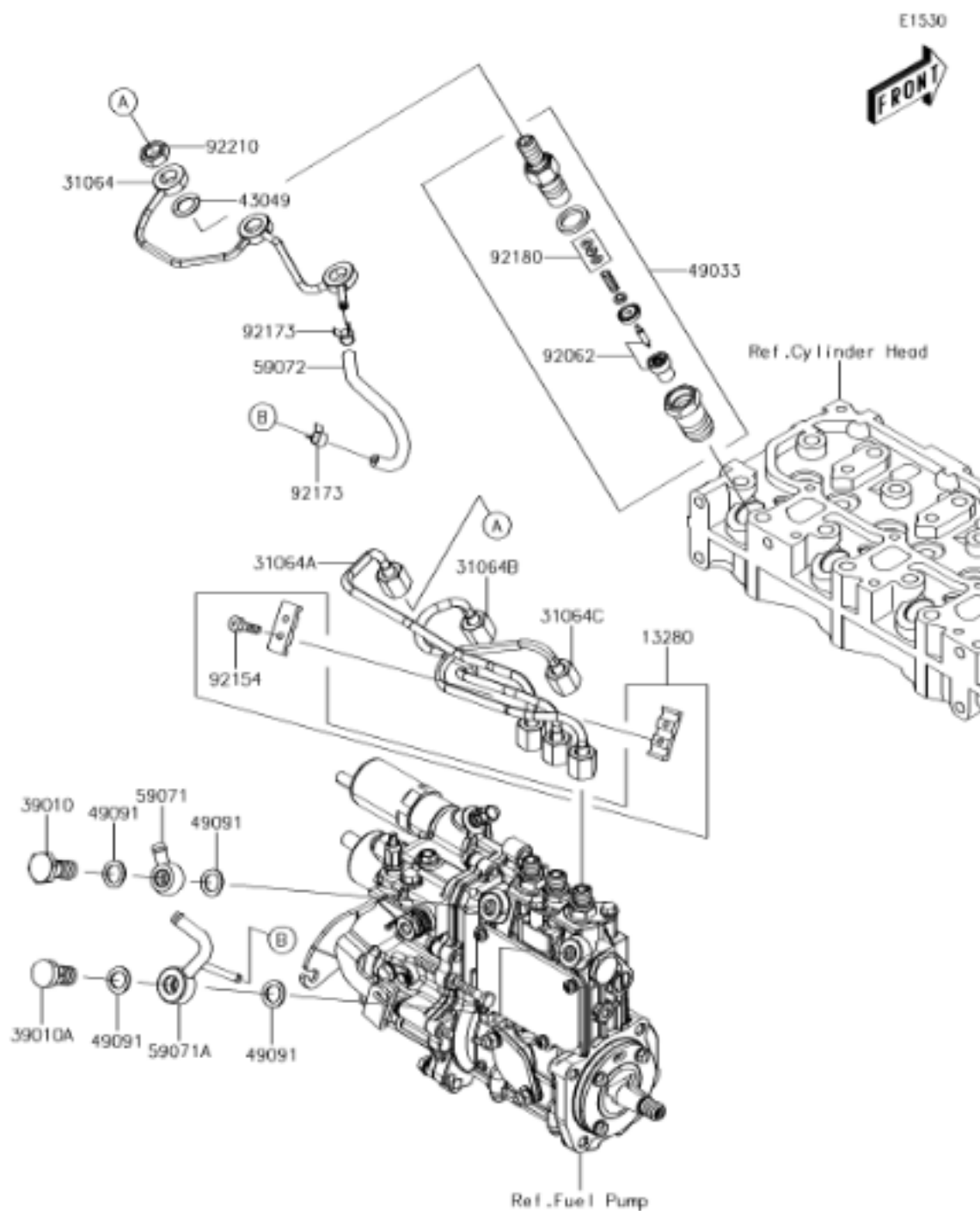
F2152



Callout	Part Number	Description	Qty	Remarks	
481	481J6000	CIRCLIP-TYPE-C	2		
550	550AA3025	PIN-COTTER,3.0X25	4		
11065	11065-0838	CAP,ARM	8		
39007	39007-0377	ARM-SUSP,FR,UPP,LH	1		
39007	39007-0378	ARM-SUSP,FR,UPP,RH	1		
39007B	39007-0383	ARM-SUSP,FR,LWR,LH&RH	2		
39186	39186-0319	KNUCKLE,FR,LH	1		
39186	39186-0320	KNUCKLE,FR,RH	1		
59266	59266-0711	JOINT-BALL	4		
92015	92015-1433	NUT,LOCK,FLANGED,12MM	8		
92022	92022-1831	WASHER	4		
92033	92033-1262	RING-SNAP,C-TYPE,32MM	4		
92045	92045-0762	BEARING-BALL,30X60X37	2		
92092	92092-0028	BUSHING-RUBBER,12X20X78	8		
92154	92154-1318	BOLT,FLANGED,12X100	8		
92210	92210-0395	NUT,CASTLE,12MM	4		

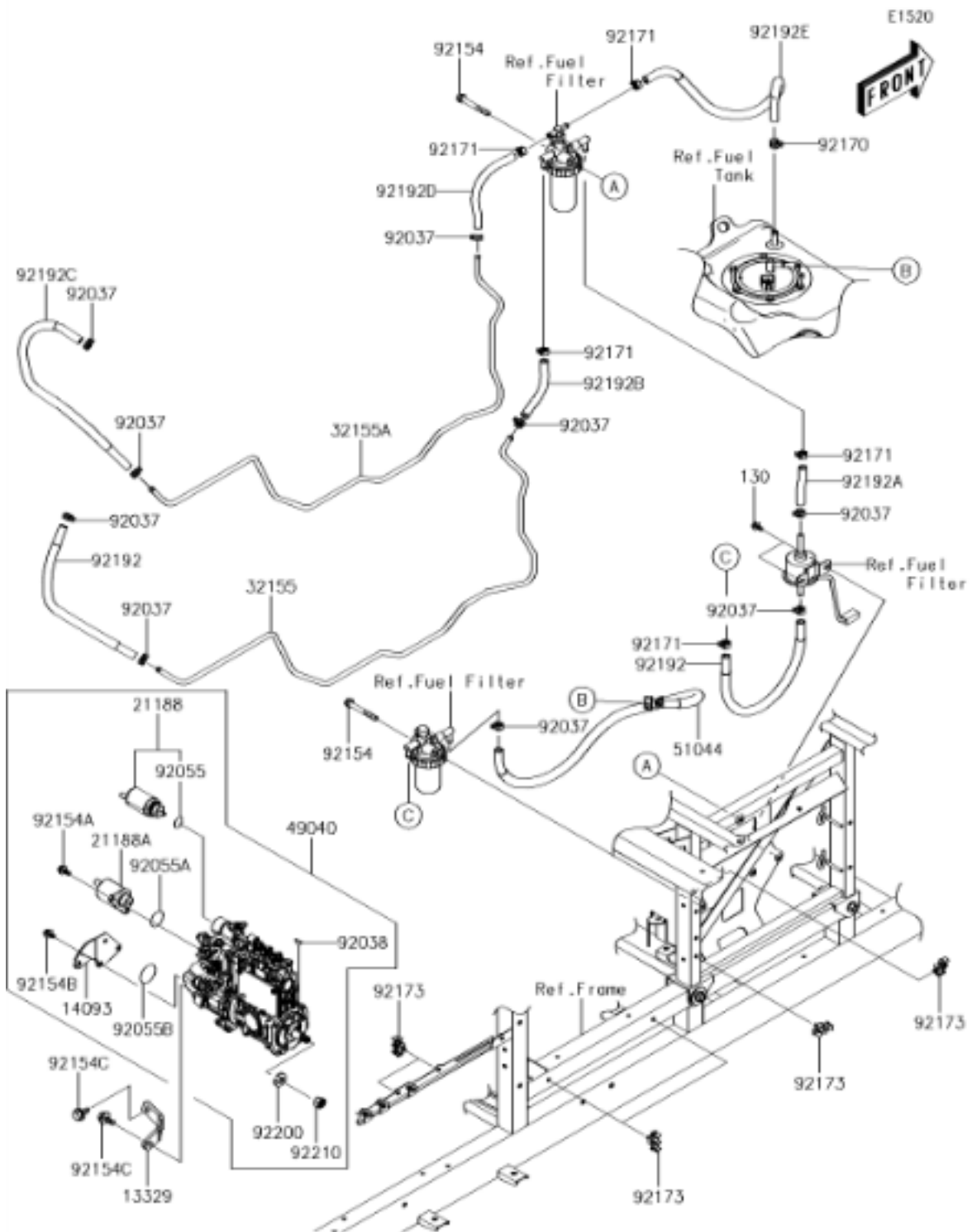


Callout	Part Number	Description	Qty	Remarks	
13168	13168-0845	LEVER	1		
14043	14043-0018	FILTER	1		
14093	14093-0452	COVER	1		
14093A	14093-0453	COVER	1		
16126	16126-0738	VALVE	1		
16165	16165-0012	SEPARATOR,WATER	1		
16188	16188-0038	FLOAT	1		
43049	43049-0046	PACKING,6X1	2		
46003	46003-0665	HANDLE	1		
49019	49019-0020	FILTER-FUEL	1		
49019A	49019-0026	FILTER-FUEL,ELEMENT	1		
49040	49040-0747	PUMP-FUEL	1		
92055	92055-0864	RING-O	2		
92055A	92055-0865	RING-O	2		
92066	92066-0856	PLUG	2		
92145	92145-1718	SPRING,VALVE	2		
92145A	92145-1719	SPRING	1		
92172	92172-0992	SCREW	2		
92210	92210-1494	NUT,FILTER	2		



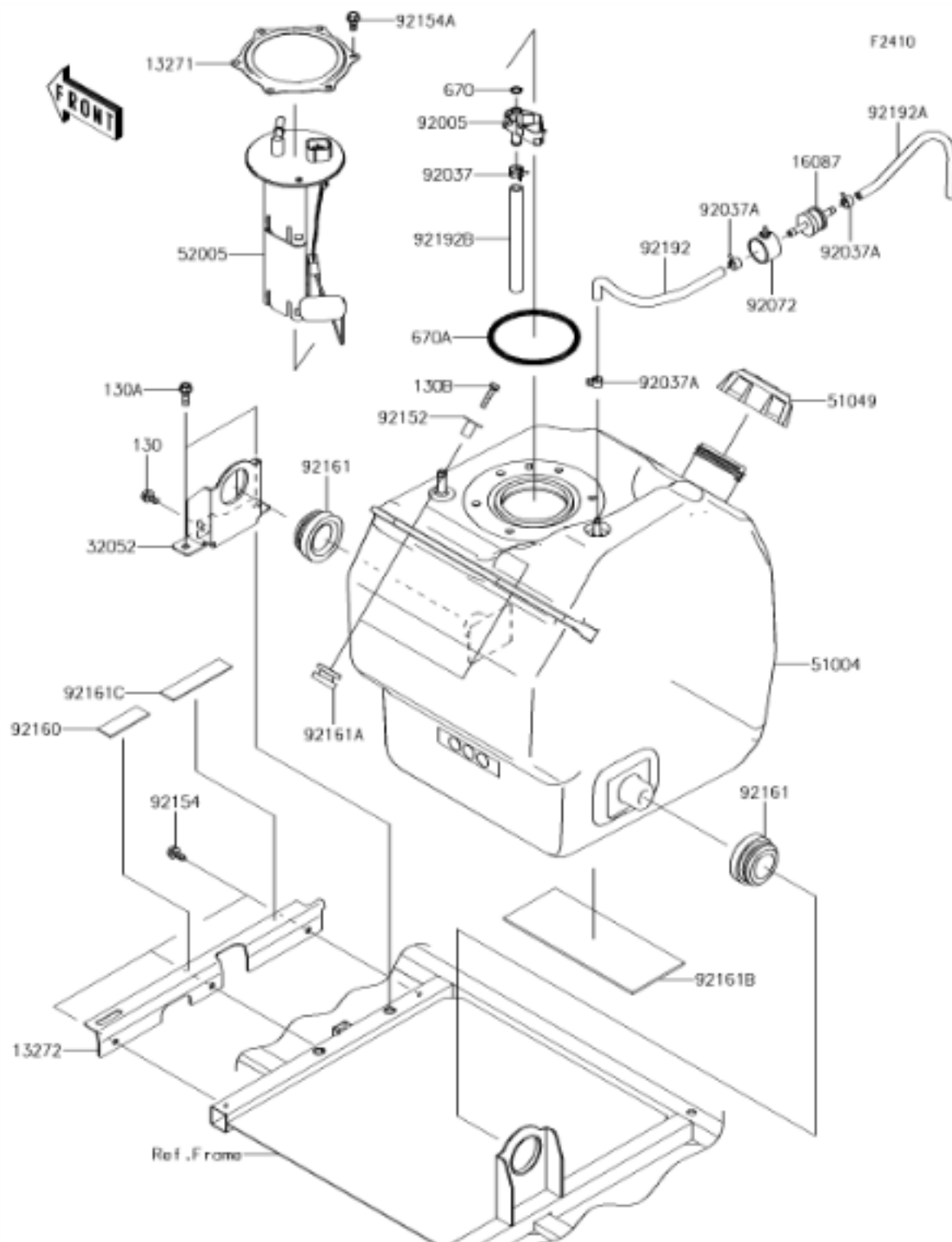


Callout	Part Number	Description	Qty	Remarks	
13280	13280-0862	HOLDER	1		
31064	31064-0681	PIPE-COMP,RETURN	1		
31064A	31064-0682	PIPE-COMP,INJECTION,NO.1	1		
31064B	31064-0683	PIPE-COMP,INJECTION,NO.2	1		
31064C	31064-0684	PIPE-COMP,INJECTION,NO.3	1		
39010	39010-0001	BOLT-EYE,PIPE JOINT	1		
39010A	39010-0002	BOLT-EYE,PIPE JOINT	1		
43049	43049-0045	PACKING	3		
49033	49033-0039	NOZZLE-INJECTION	3		
49091	49091-0007	WASHER-SEAL	4		
59071	59071-0738	JOINT	1		
59071A	59071-0739	JOINT,OVER FLOW	1		
59072	59072-0004	JOINT-EYE	1		
92062	92062-0038	NOZZLE	3		
92154	92154-2115	BOLT,4X14	2		
92173	92173-1551	CLAMP	2		
92180	92180-0971	SHIM,SET	3		
92210	92210-1469	NUT	3		



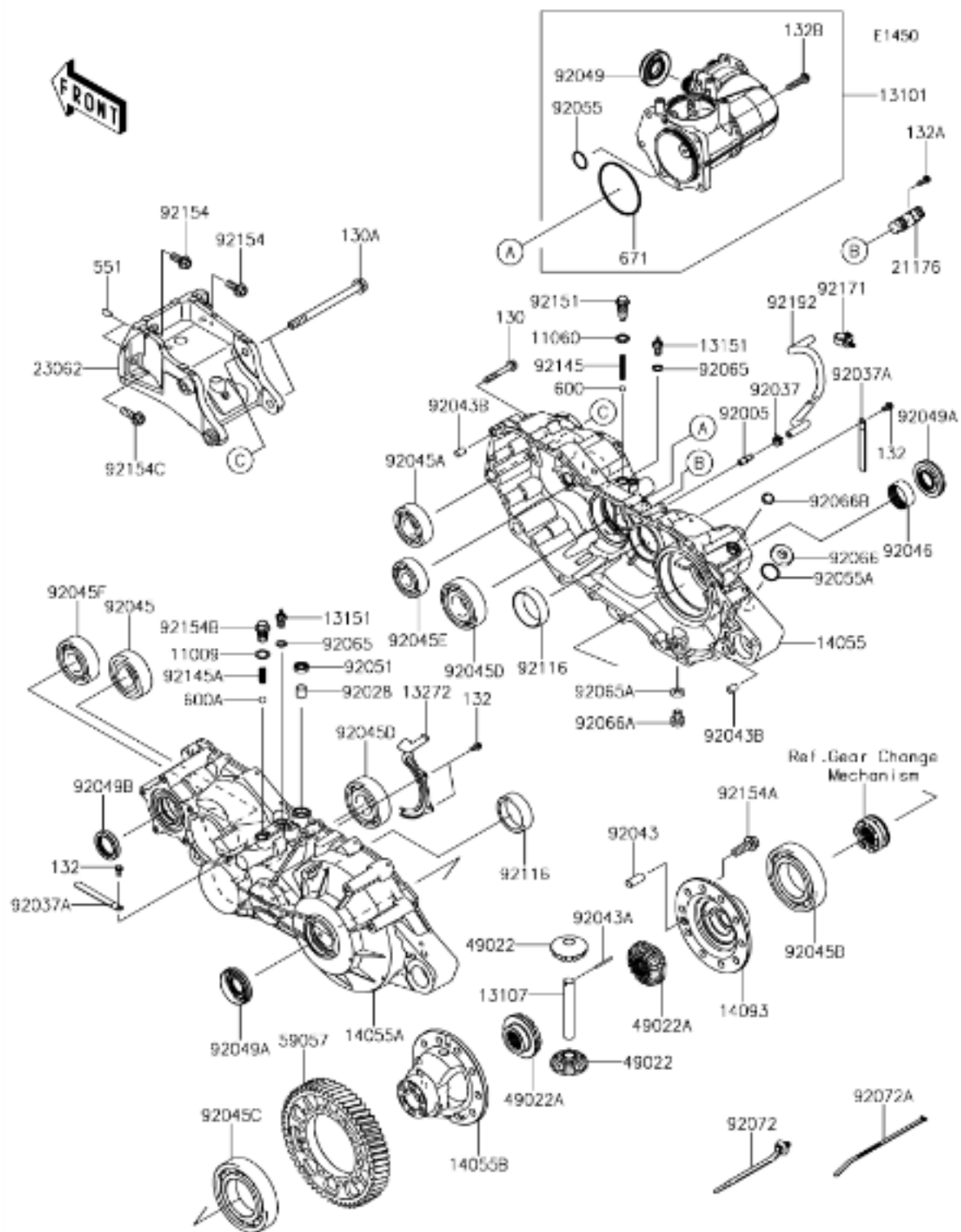
Callout	Part Number	Description	Qty	Remarks	
130	130BA0612	BOLT-FLANGED,6X12	2		
13329	13329-0001	SUPPORT	1		
14093	14093-0448	COVER,GOVERNOR CASE	1		
21188	21188-0012	SOLENOID,POWER CONTROL	1		
21188A	21188-0013	SOLENOID,STOP	1		
32155	32155-2047	PIPE,FEED	1		
32155A	32155-2048	PIPE,RETURN	1		
49040	49040-0751	PUMP-FUEL,INJECTION	1		
51044	51044-0785	TUBE-ASSY	1		
92037	92037-1181	CLAMP,HOSE CLIP	9		
92038	92038-0008	KEY,WOODRUFF	1		
92055	92055-0859	RING-O	1		
92055A	92055-0860	RING-O	1		
92055B	92055-0861	RING-O	1		
92154	92154-1940	BOLT,FLANGED,8X63	2		
92154A	92154-1997	BOLT,FLANGED,6X14	2		
92154B	92154-2068	BOLT,FLANGED,6X10	3		
92154C	92154-2071	BOLT,FLANGED,8X16	2		
92170	92170-1938	CLAMP	1		

Callout	Part Number	Description	Qty	Remarks	
92171	92171-0515	CLAMP	5		
92173	92173-1467	CLAMP	6		
92192	92192-1476	TUBE,7.5X13.5X390	2		
92192A	92192-1477	TUBE,PUMP-FILTER	1		
92192B	92192-1478	TUBE,FILER-ENGINE(FILTER SIDE)	1		
92192C	92192-1479	TUBE,ENGINE-FILER(ENGINE SIDE)	1		
92192D	92192-1480	TUBE,ENGINE-FILER(FILTER SIDE)	1		
92192E	92192-1481	TUBE,FILTER-TANK	1		
92200	92200-1810	WASHER,SPRING	1		
92210	92210-1486	NUT,12MM	1		



Callout	Part Number	Description	Qty	Remarks	
130	130BA0612	BOLT-FLANGED,6X12	1		
130A	130BA0620	BOLT-FLANGED,6X20	2		
130B	130BA0630	BOLT-FLANGED,6X30	2		
670	670E1509	O RING,9MM	1		
670A	670E5090	O RING	1		
13271	13271-0980	PLATE	1		
13272	13272-2206	PLATE	1		
16087	16087-0008	VALVE-CHECK	1		
32052	32052-0751	BRACKET-TANK	1		
51004	51004-0020	TANK-FUEL	1		
51049	51049-0718	CAP-TANK,FUEL	1		
52005	52005-0753	GAUGE,FUEL	1		
92005	92005-0813	FITTING	1		
92037	92037-1181	CLAMP,HOSE CLIP	1		
92037A	92037-1461	CLAMP,TUBE	3		
92072	92072-1438	BAND	1		
92152	92152-1867	COLLAR,6.8X10X18.1	2		
92154	92154-1250	BOLT,6X15.6	3		
92154A	92154-1326	BOLT,FUEL PUMP	6		

Callout	Part Number	Description	Qty	Remarks	
92160	92160-1075	DAMPER	1		
92161	92161-1613	DAMPER,30X56X25	2		
92161A	92161-1614	DAMPER,10X28X17	2		
92161B	92161-1645	DAMPER,80X200X3.175	1		
92161C	92161-1876	DAMPER	1		
92192	92192-0773	TUBE,BREATHER	1		
92192A	92192-1199	TUBE,BREATHER,5X9X220	1		
92192B	92192-1474	TUBE,FUEL,8X13X137	1		



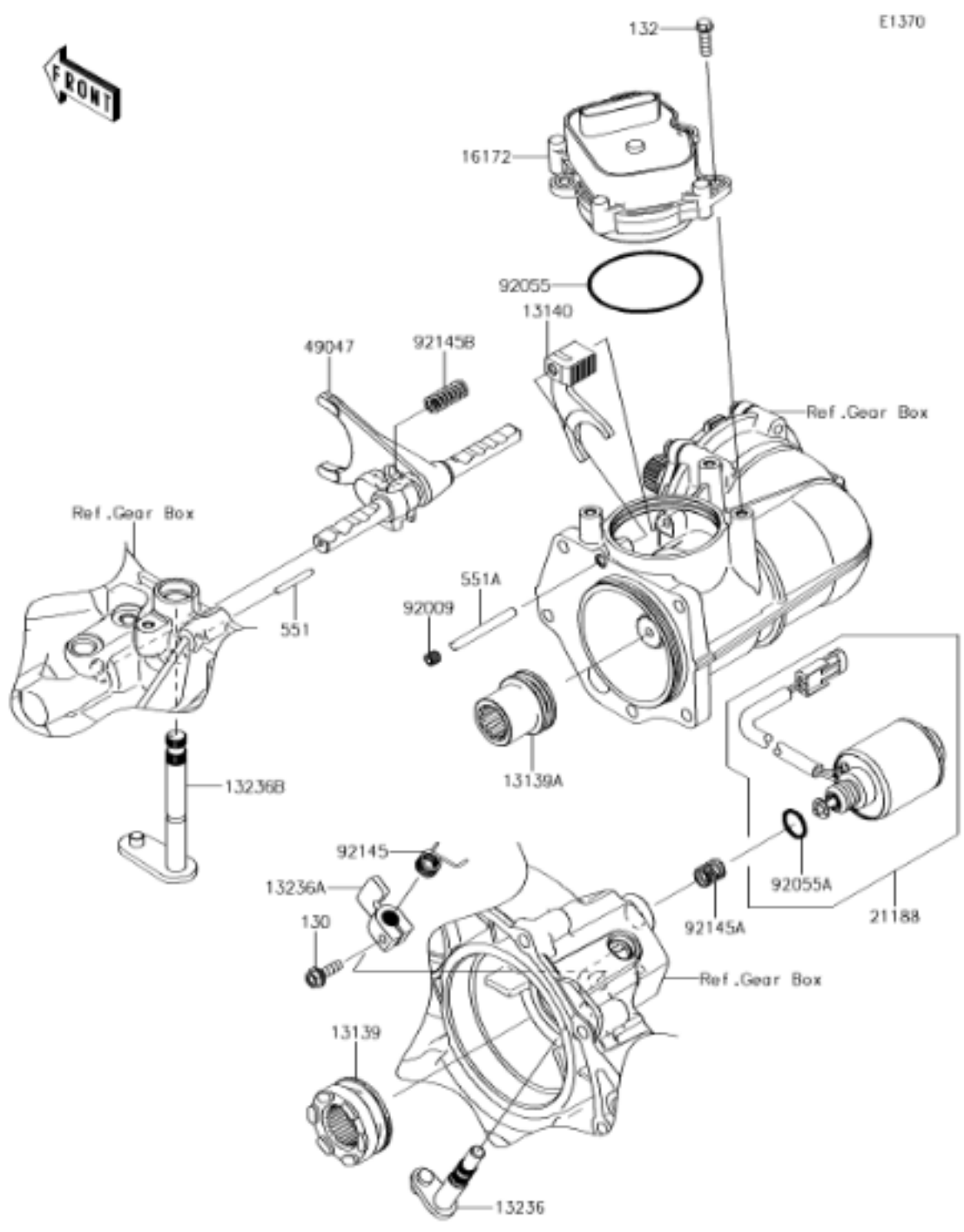


Callout	Part Number	Description	Qty	Remarks	
130	130BA0855	BOLT-FLANGED,8X55	18		
130A	130CA12150	BOLT-FLANGED,12X150	2		
132	132BA0612	BOLT-FLANGED-SMALL,6X12	4		
132A	132BA0616	BOLT-FLANGED-SMALL,6X16	1		
132B	132BA0835	BOLT-FLANGED-SMALL,8X35	5		
551	551A0814	PIN-DOWEL,8X14	2		
600	600A1000	BALL-STEEL,5/16	1		
600A	600A1300	BALL-STEEL,13/32	1		
671	671D2585	O RING	1		
11009	11009-1008	GASKET,15.5X22X1	1		
11060	11060-1287	GASKET,14X20X2	1		
13101	13101-0636	GEAR-ASSY,PARTICULAR	1		
13107	13107-0793	SHAFT	1		
13151	13151-1080	SWITCH-COMP,NEUTRAL	2		
13272	13272-1624	PLATE	1		
14055	14055-0607	CASE-GEAR,RH	1		
14055A	14055-0608	CASE-GEAR,LH	1		
14055B	14055-0614	CASE-GEAR,DIFF	1		
14093	14093-0048	COVER,DIFF	1		

Callout	Part Number	Description	Qty	Remarks	
21176	21176-0767	SENSOR,ROTATION	1		
23062	23062-0855	BRACKET-COMP	1		
49022	49022-0585	GEAR-BEVEL,PINION,12T	2		
49022A	49022-0589	GEAR-BEVEL,OUTPUT,16T	2		
59057	59057-0012	GEAR-HELICAL,55T	1		
92005	92005-1127	FITTING,BREATHER	1		
92028	92028-1347	BUSHING	1		
92037	92037-1505	CLAMP,TUBE	1		
92037A	92037-1993	CLAMP	2		
92043	92043-0789	PIN,DOWEL,12X30	1		
92043A	92043-0806	PIN,DOWEL	1		
92043B	92043-1037	PIN,DOWEL,10X14	2		
92045	92045-0764	BEARING-BALL,63/32	1		
92045A	92045-0765	BEARING-BALL,63/28	1		
92045B	92045-0766	BEARING-BALL,6212	1		
92045C	92045-0767	BEARING-BALL,6213	1		
92045D	92045-0768	BEARING-BALL,6307C3	2		
92045E	92045-0769	BEARING-BALL,B22-19C3 UR	1		
92045F	92045-1364	BEARING-BALL,63/32C3	1		

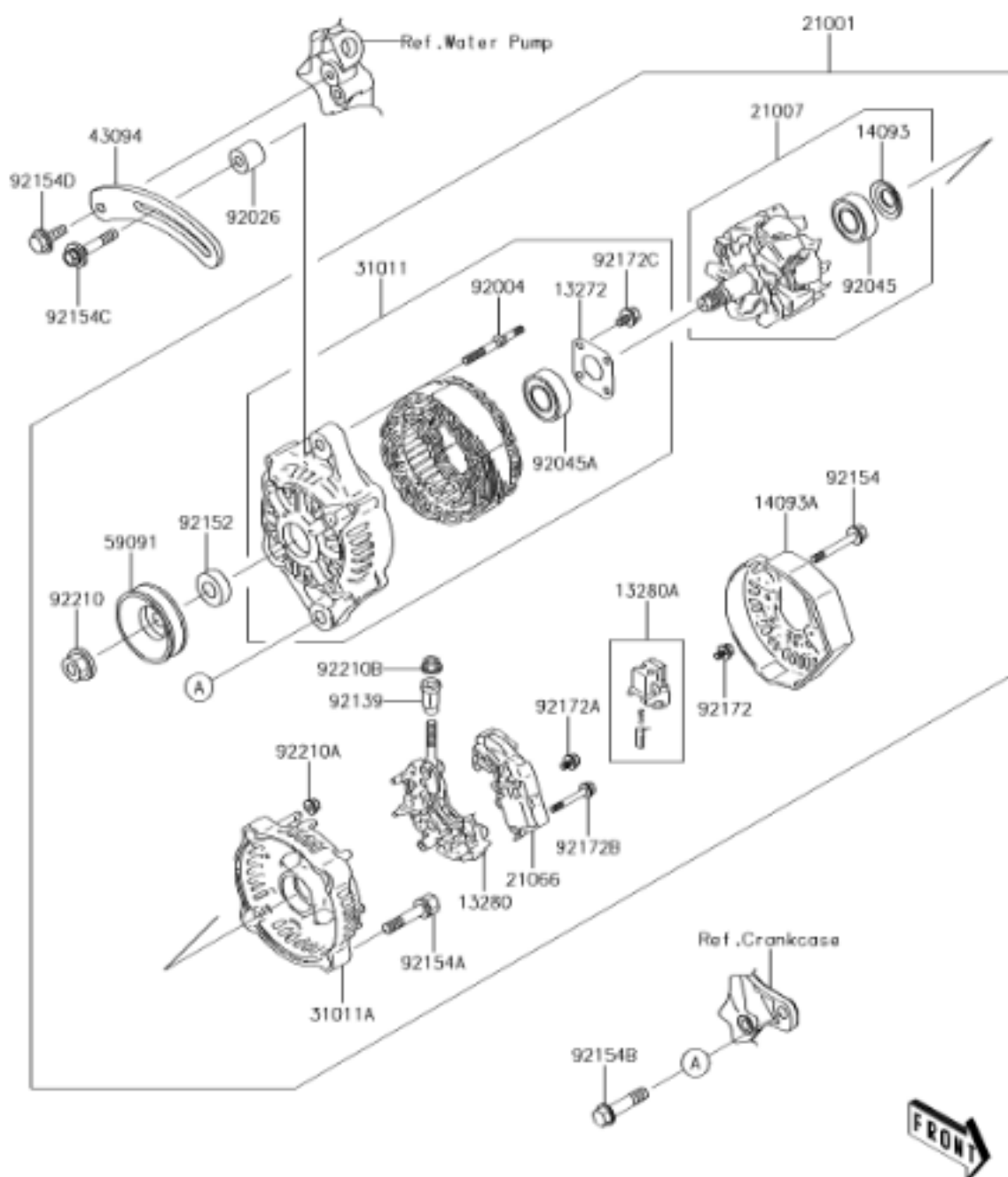
Callout	Part Number	Description	Qty	Remarks	
92046	92046-0612	BEARING-NEEDLE,BTM35.6	1		
92049	92049-0160	SEAL-OIL	1		
92049A	92049-0749	SEAL-OIL	2		
92049B	92049-1361	SEAL-OIL,TC32488	1		
92051	92051-005	SEAL-OIL,TB13225.5	1		
92055	92055-0782	RING-O,1.9X26.2	1		
92055A	92055-1136	RING-O,25.7X2.4	1		
92065	92065-058	GASKET,10.5X16X1	2		
92065A	92065-097	GASKET,12X22X2	1		
92066	92066-0012	PLUG,25X8	1		
92066A	92066-1174	PLUG,OIL DRAIN,12X15	1		
92066B	92066-7014	PLUG	1		
92072	92072-1414	BAND,OS170-FT7(BLACK)	AR		
92072A	92072-3509	BAND,L=292.1	AR		
92116	92116-0008	BEARING-ROLLER,HR32206JA LC	2		
92145	92145-1589	SPRING	1		
92145A	92145-1590	SPRING	1		
92151	92151-1687	BOLT,CHANGE POSITION	1		
92154	92154-1329	BOLT,FLANGED,10X25	3		

Callout	Part Number	Description	Qty	Remarks	
92154A	92154-1332	BOLT,FLANGED,12X35	10		
92154B	92154-1366	BOLT,CHANGE POSITION	1		
92154C	92154-1740	BOLT,FLANGED,10X32	1		
92171	92171-0453	CLAMP	1		
92192	92192-1340	TUBE,BREATHER	1		



Callout	Part Number	Description	Qty	Remarks	
130	130BA0620	BOLT-FLANGED,6X20	1		
132	132BA0620	BOLT-FLANGED-SMALL,6X20	3		
551	551A0432	PIN-DOWEL	1		
551A	551A0656	PIN-DOWEL,6X56	1		
13139	13139-0019	SHIFTER	1		
13139A	13139-0021	SHIFTER	1		
13140	13140-0639	FORK-SHIFT	1		
13236	13236-0744	LEVER-COMP,DIFF LOCK	1		
13236A	13236-0745	LEVER-COMP,DIFF LOCK	1		
13236B	13236-0746	LEVER-COMP,CHANGE SHIFT	1		
16172	16172-0030	ACTUATOR	1		
21188	21188-0010	SOLENOID	1		
49047	49047-0044	ROD-SHIFT	1		
92009	92009-1977	SCREW,SOCKET,8X8	1		
92055	92055-0781	RING-O,1.9X71.8	1		
92055A	92055-0829	RING-O	1		
92145	92145-1572	SPRING	1		
92145A	92145-1573	SPRING	1		
92145B	92145-1574	SPRING	1		

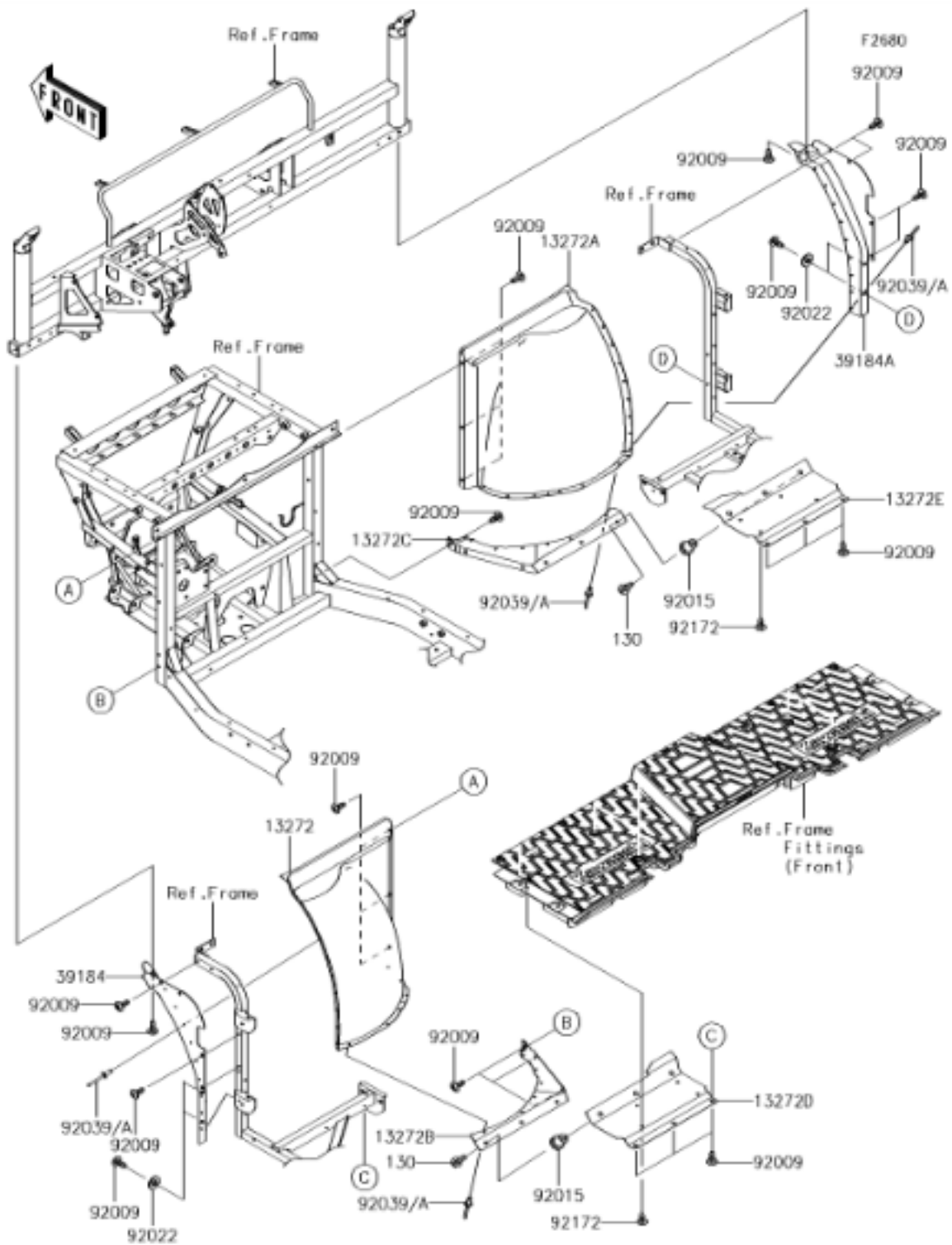
E1810



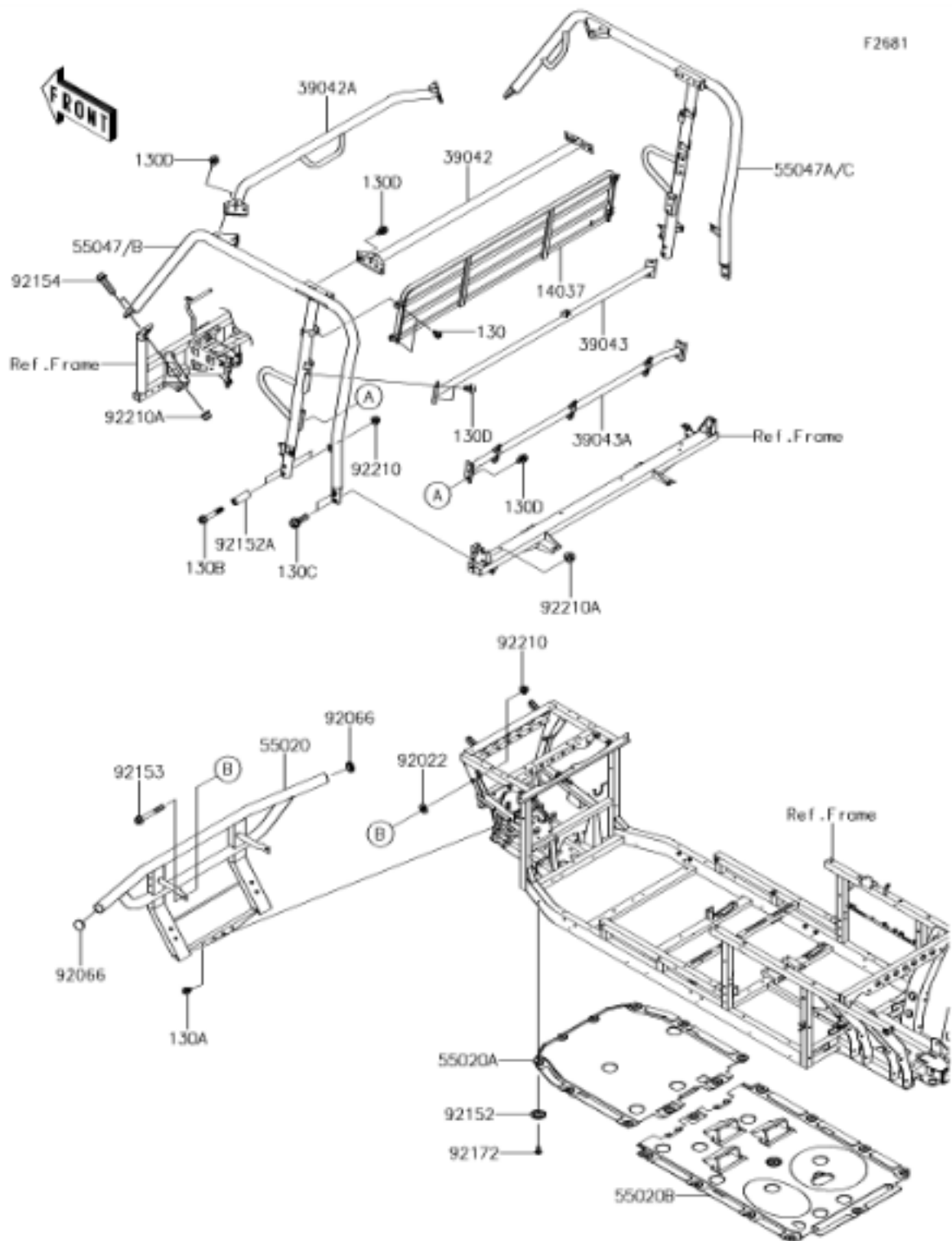
Callout	Part Number	Description	Qty	Remarks	
13272	13272-2135	PLATE,RETAINER	1		
13280	13280-0864	HOLDER	1		
13280A	13280-0865	HOLDER,BRUSH	1		
14093	14093-0450	COVER	1		
14093A	14093-0451	COVER	1		
21001	21001-0613	GENERATOR	1		
21007	21007-0637	ROTOR	1		
21066	21066-0749	REGULATOR-VOLTAGE	1		
31011	31011-0027	FRAME	1		
31011A	31011-0028	FRAME	1		
43094	43094-0007	ADJUSTER	1		
59091	59091-0015	PULLEY	1		
92004	92004-0751	STUD	2		
92026	92026-0821	SPACER	1		
92045	92045-0812	BEARING-BALL	1		
92045A	92045-0816	BEARING-BALL	1		
92139	92139-0861	BUSHING	1		
92152	92152-2198	COLLAR	1		
92154	92154-2074	BOLT	3		



Callout	Part Number	Description	Qty	Remarks	
92154A	92154-2075	BOLT	2		
92154B	92154-2076	BOLT,FLANGED,10X45	1		
92154C	92154-2077	BOLT	1		
92154D	92154-2078	BOLT,FLANGED,8X20	1		
92172	92172-0989	SCREW	6		
92172A	92172-0990	SCREW	1		
92172B	92172-0991	SCREW	2		
92172C	92172-1096	SCREW	4		
92210	92210-1474	NUT	1		
92210A	92210-1475	NUT	2		
92210B	92210-1476	NUT	1		



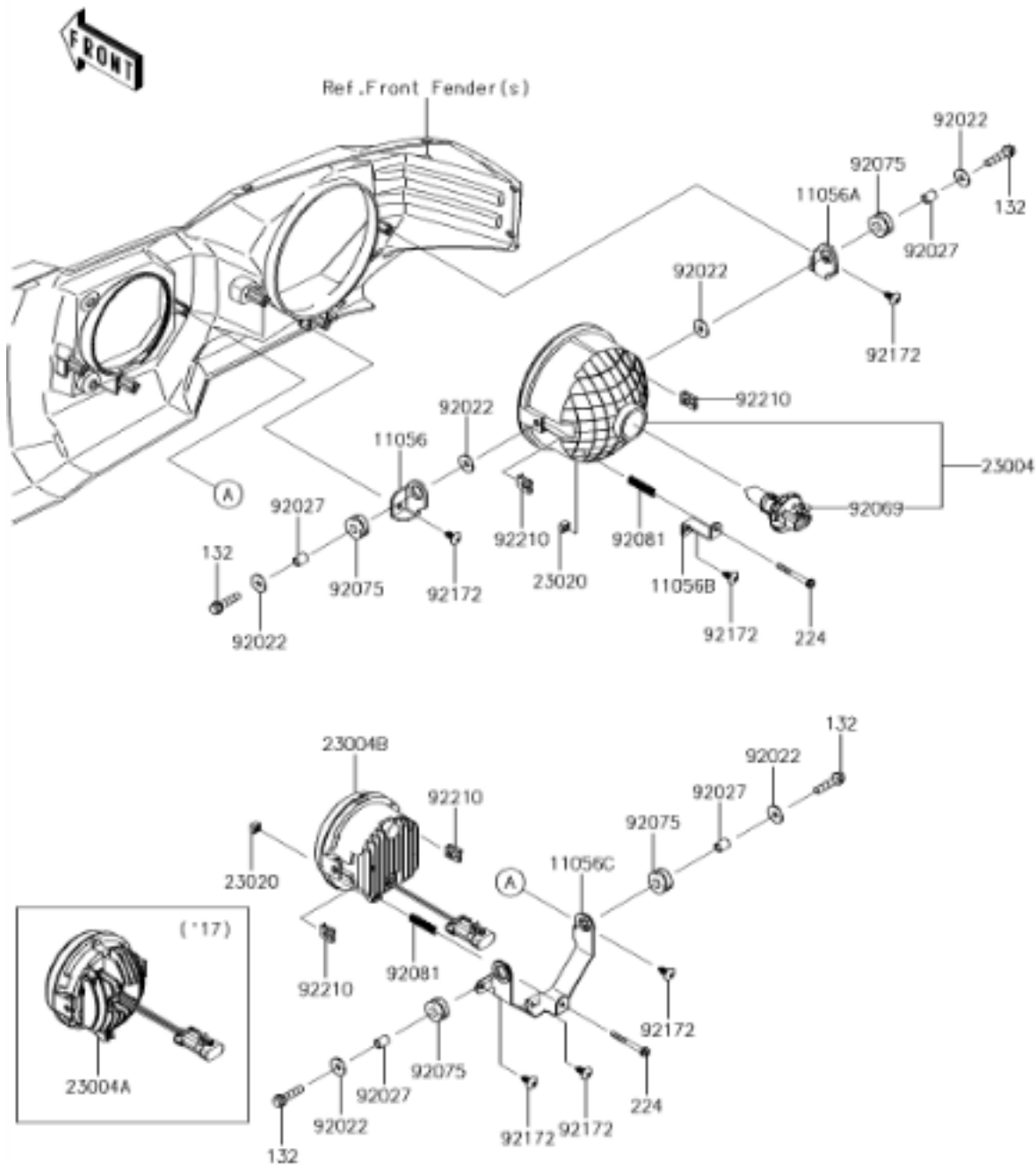
Callout	Part Number	Description	Qty	Remarks	
130	130BA0620	BOLT-FLANGED,6X20	6		
13272	13272-2323	PLATE	1		
13272A	13272-2324	PLATE	1		
13272B	13272-2327	PLATE	1		
13272C	13272-2328	PLATE	1		
13272D	13272-2330	PLATE,UNDER GUARD,LH	1		
13272E	13272-2331	PLATE,UNDER GUARD,RH	1		
39184	39184-0718	BRACKET-ASSY,SIDE,LH	1		
39184A	39184-0719	BRACKET-ASSY,SIDE,RH	1		
92009	92009-1166	SCREW,TAPPING,6X16	32		
92015	92015-1692	NUT,RUBBER,6MM	6		
92022	92022-1533	WASHER,8.2X19X2	4		
92039	92039-0784	RIVET,4.8X7.6	30		
92172	92172-0284	SCREW,6X16	8		



Callout	Part Number	Description	Qty	Remarks	
130	130BA0812	BOLT-FLANGED,8X12	4		
130A	130BA0816	BOLT-FLANGED,8X16	3		
130B	130BA1060	BOLT-FLANGED,10X60	4		
130C	130BA1235	BOLT-FLANGED,12X35	4		
130D	130CA1014	BOLT-FLANGED,10X14	20		
14037	14037-0758-388	SCREEN,T.BLACK	1		
39042	39042-0015-388	CROSSMEMBER,RR,T.BLACK	1		
39042A	39042-0016-388	CROSSMEMBER,FR,T.BLACK	1		
39043	39043-0016-388	CROSSMEMBER-COMP,B-P.,UPP,BLK	1		
39043A	39043-0017-388	CROSSMEMBER-COMP,B-P.,LWR,BLK	1		
55020	55020-0933-388	GUARD,FR PIPE,T.BLACK	1		
55020A	55020-0934	GUARD,SKID PLATE	1		
55020B	55020-0935	GUARD,SKID PLATE	1		
55047	55047-0363-388	BAR-COMP,B-PILLAR,LH,T.BLACK	1		
55047A	55047-0364-388	BAR-COMP,B-PILLAR,RH,T.BLACK	1		
92022	92022-1365	WASHER,10X22X3	2		
92066	92066-0769	PLUG	2		
92152	92152-0784	COLLAR	21		
92152A	92152-1800	COLLAR,10.5X16X47	4		

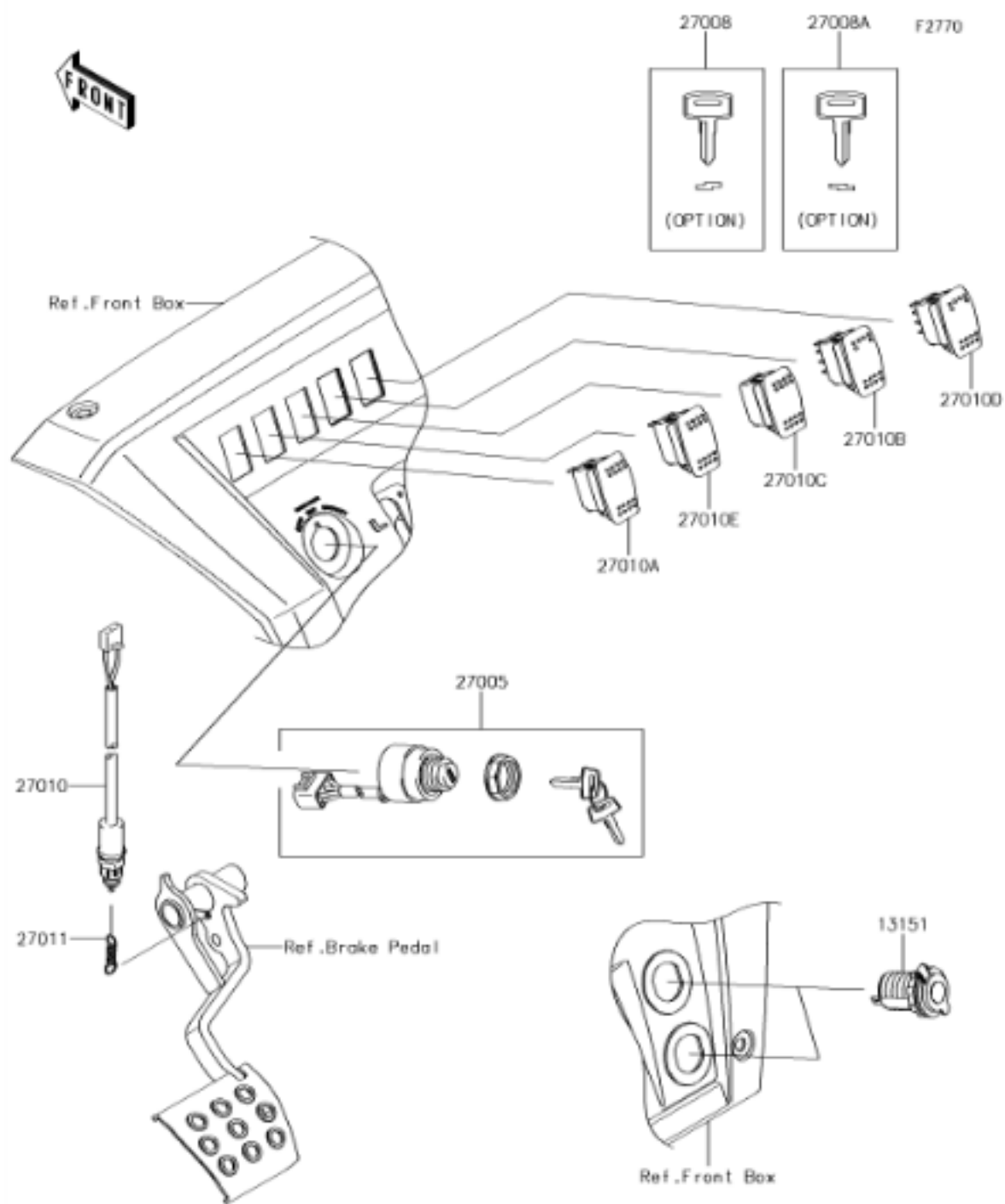
Callout	Part Number	Description	Qty	Remarks	
92153	92153-1384	BOLT,FLANGED,10X75	2		
92154	92154-1420	BOLT,FLANGED,12X45	4		
92172	92172-0739	SCREW,TAPPING,6X16	21		
92210	92210-0276	NUT,LOCK,FLANGED,10MM	6		
92210A	92210-0603	NUT,12MM	8		

F2710

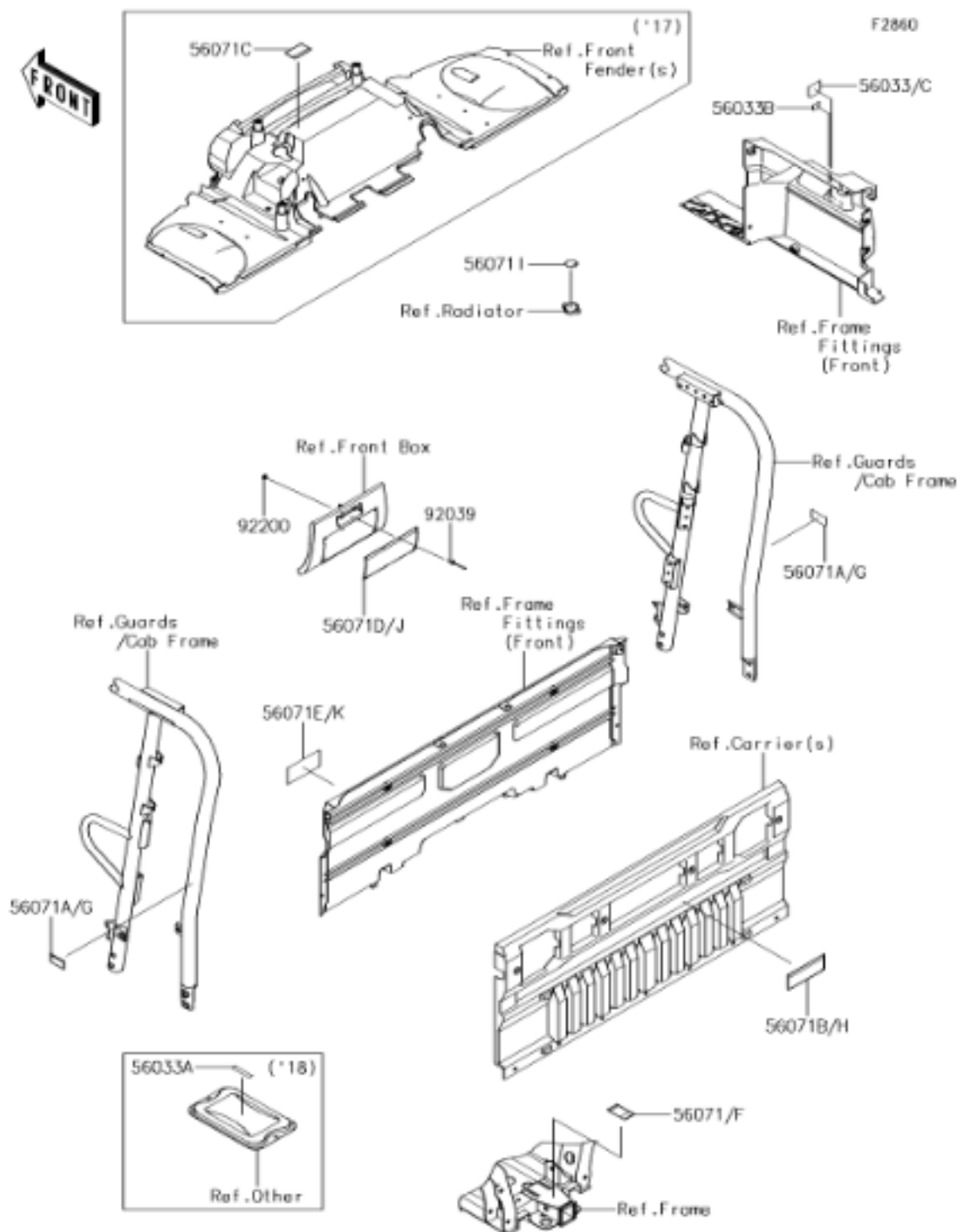


Callout	Part Number	Description	Qty	Remarks	
132	132BA0625	BOLT-FLANGED-SMALL,6X25	8		
224	224AA0440	SCREW-PAN-WP-CROS	4		
11056	11056-2931	BRACKET,LH	2		
11056A	11056-2932	BRACKET,RH	2		
11056B	11056-2933	BRACKET	2		
11056C	11056-3857	BRACKET,LAMP STAY	2		
23004	23004-0339	LAMP-HEAD	2		
23004B	23004-0372	LAMP-HEAD	2		
23020	23020-018	NUT,4MM,FOCUS ADJUST	4		
92022	92022-125	WASHER,6.5X20X1.6	12		
92027	92027-162	COLLAR,6.8X10X12	8		
92069	92069-0082	BULB,H13-12-8V	2		
92075	92075-1690	DAMPER,10X24X12	8		
92081	92081-1896	SPRING,FOCUS ADJUST	4		
92172	92172-0284	SCREW,6X16	12		
92210	92210-1125	NUT	8		





Callout	Part Number	Description	Qty	Remarks	
13151	13151-0556	SWITCH-COMP,OUTLET,12V	2		
27005	27005-0585	SWITCH-ASSY-IGNITION	1		
27008	27008-1153	KEY-LOCK,BLANK	1	(OPTION)	
27008A	27008-1157	KEY-LOCK,BLANK	1	(OPTION)	
27010	27010-0724	SWITCH,BRAKE	1		
27010A	27010-0734	SWITCH,HORN	1		
27010B	27010-0750	SWITCH,HEAD LAMP	1		
27010C	27010-0751	SWITCH,2WD/4WD	1		
27010D	27010-0763	SWITCH,LED	1		
27010E	27010-0810	SWITCH,DIFF LOCK	1		
27011	27011-006	SPRING,BRAKE LAMP SWITCH	1		

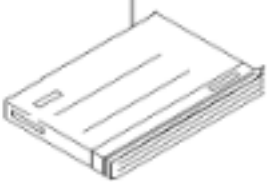


Callout	Part Number	Description	Qty	Remarks	
56033A	56033-0970	LABEL-MANUAL,STORAGE MAX LOAD	1		
56033B	56033-0987	LABEL-MANUAL,FUEL,B7	1		
56033	56033-1377	LABEL-MANUAL,DIESEL	1		
56071	56071-0750	LABEL-WARNING,TRAILER HITCH	1		
56071A	56071-0751	LABEL-WARNING,HAND CRUSH	2		
56071B	56071-0752	LABEL-WARNING,CARGO CAPA.	1		
56071I	56071-0753	LABEL-WARNING,RADIATOR	1		
56071D	56071-0754	LABEL-WARNING,GENERAL	1		
56071E	56071-0757	LABEL-WARNING,TIRE&LOAD	1		
92039	92039-3763	RIVET,3.2X8	6		
92200	92200-1251	WASHER,3.5X8X1	6		

F2920

Owner's Manual  
(Local Procurement)

99976/A



Ref. No	Language
99976/A	English
	French
	German

Callout	Part Number	Description	Qty	Remarks	
99976	99976-0061	OWNER'S MANUAL,MULTI	1		

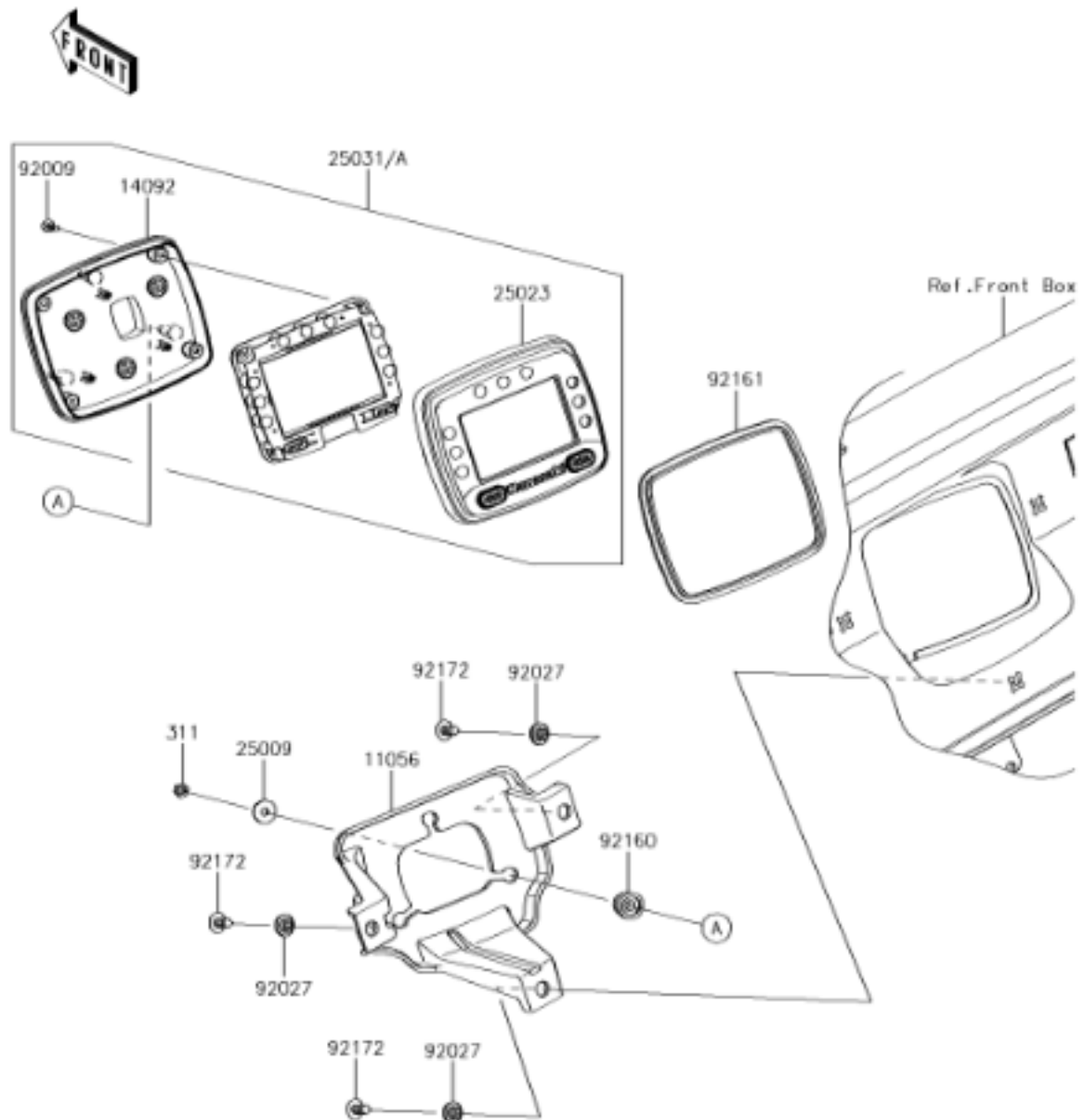


Callout	Part Number	Description	Qty	Remarks	
130	130BA0612	BOLT-FLANGED,6X12	6		
130A	130BA0830	BOLT-FLANGED,8X30	1		
130B	130BA0855	BOLT-FLANGED,8X55	2		
14075	14075-0038	CAP-ASSY	1		
14093	14093-0044	COVER,M/C BODY	1		
39092	39092-1052	PIN-HAIR	2		
39184	39184-0031	BRACKET-ASSY	1		
43015	43015-0595	CYLINDER-ASSY-MASTER	1		
43060	43060-0317	PIPE-BRAKE	1		
43060A	43060-0318	PIPE-BRAKE,LH	1		
43060B	43060-0319	PIPE-BRAKE,RH	1		
43061	43061-0302	JOINT-BRAKE,M/C	1		
43061A	43061-1063	JOINT-BRAKE	1		
43095	43095-0807	HOSE-BRAKE,661MM	1		
43095A	43095-0808	HOSE-BRAKE,1011MM	1		
43095B	43095-0809	HOSE-BRAKE,847MM	1		
43095C	43095-0810	HOSE-BRAKE,767MM	1		
49091	49091-0001	WASHER-SEAL,10.1X14.5X1.5	12		
92072	92072-1414	BAND,OS170-FT7(BLACK)	11		

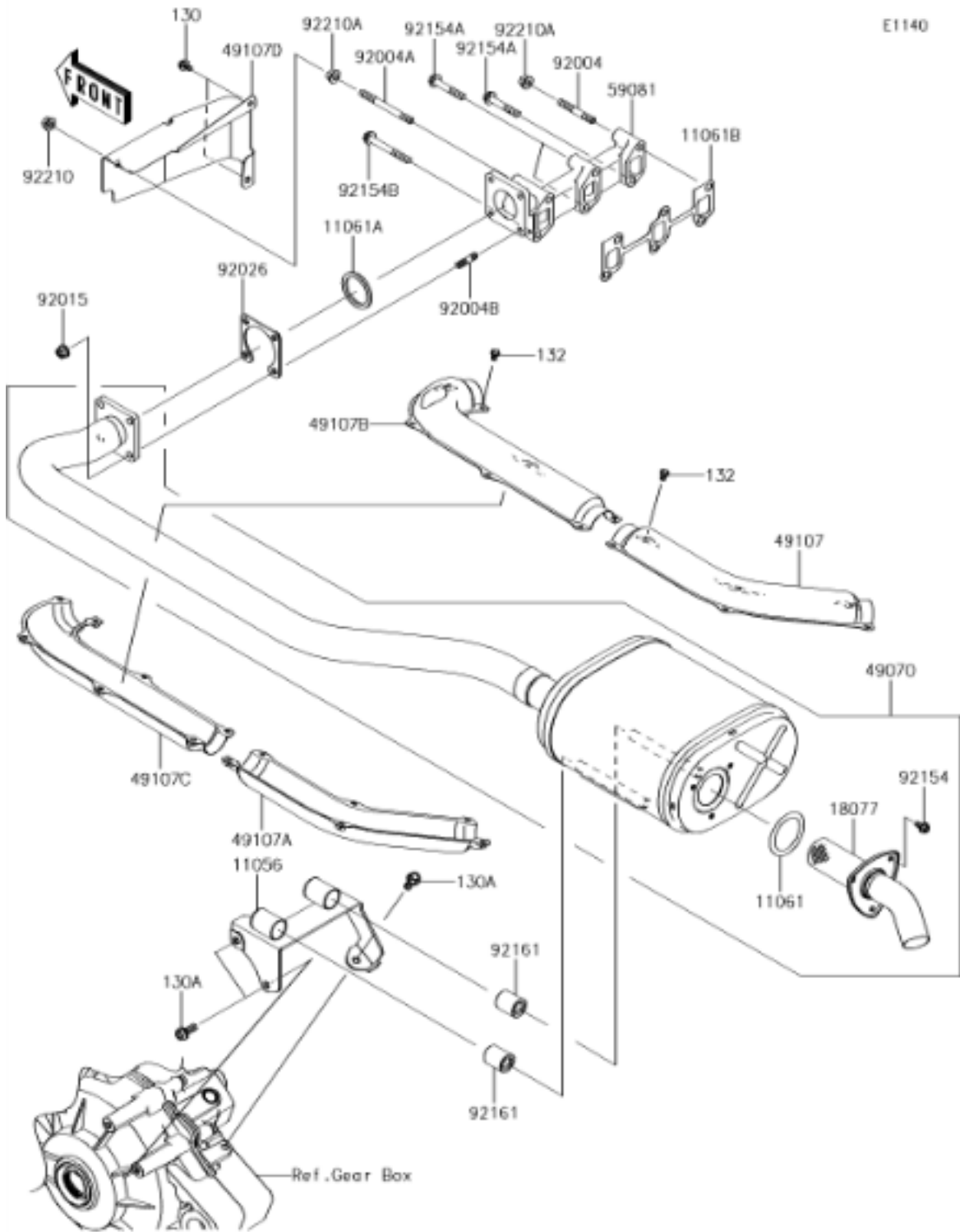


Callout	Part Number	Description	Qty	Remarks	
92154	92154-1328	BOLT,HEXALOBULAR,10X21	4		
92154A	92154-1398	BOLT,OIL,10X34.5	1		
92173	92173-1215	CLAMP	2		
92173A	92173-1216	CLAMP	2		
92173B	92173-1217	CLAMP	1		
92173C	92173-1218	CLAMP	1		

F2530



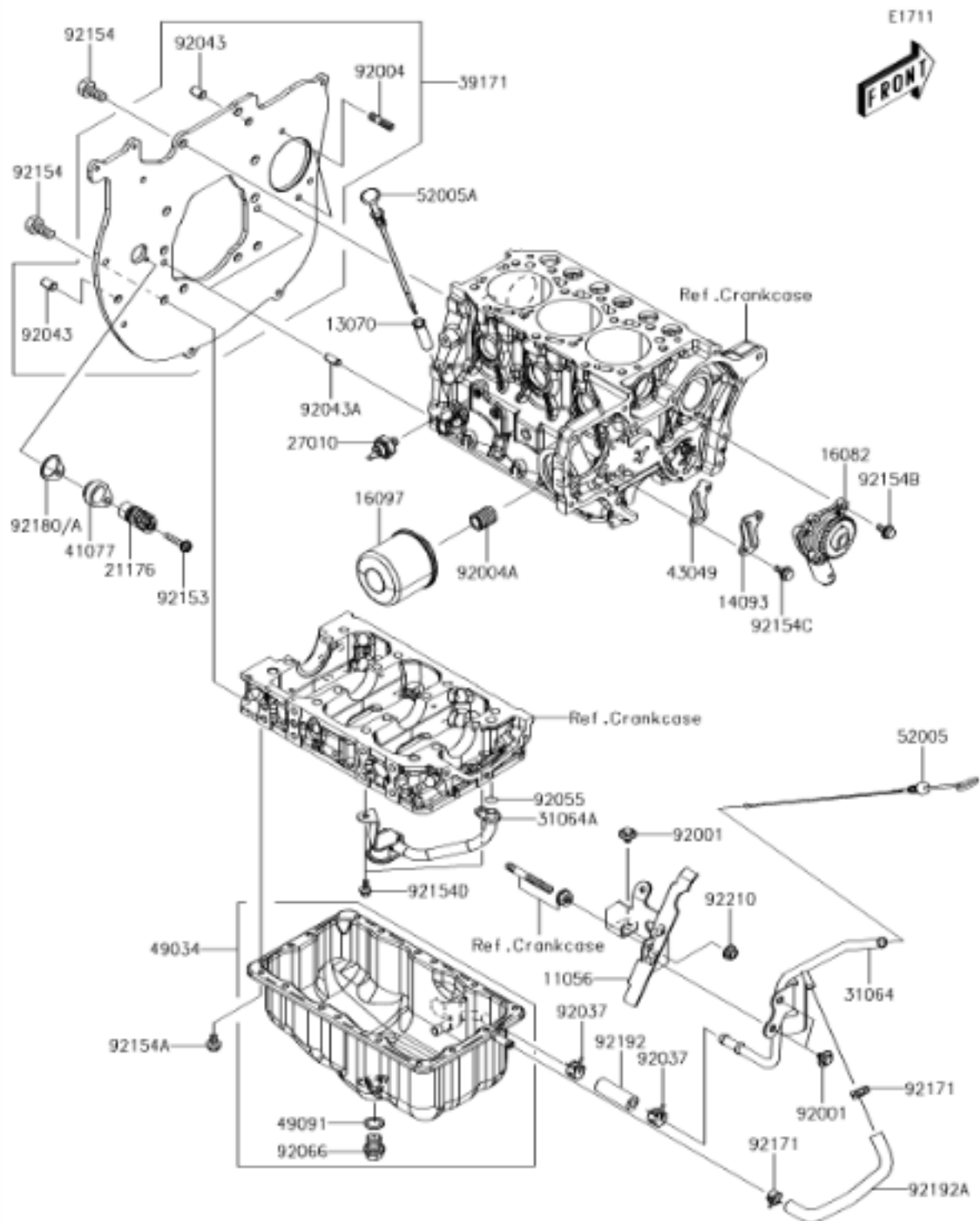
Callout	Part Number	Description	Qty	Remarks	
311	311AB0500	NUT-HEX,5MM	3		
11056	11056-2956	BRACKET,METER	1		
14092	14092-0834	COVER,METER,LWR	1		
25009	25009-004	WASHER,5.2X16X1.2	3		
25023	25023-0075	COVER-METER CASE,UPP	1		
25031	25031-0723	METER-ASSY,LCD	1		
92009	92009-1255	SCREW,TAPPING,3X12	4		
92027	92027-1168	COLLAR,L=4.6	3		
92160	92160-1460	DAMPER	3		
92161	92161-0906	DAMPER,METER	1		
92172	92172-0284	SCREW,6X16	3		



E1140

Callout	Part Number	Description	Qty	Remarks	
130	130BA0610	BOLT-FLANGED,6X10	2		
130A	130BA0820	BOLT-FLANGED,8X20	3		
132	132BD0608	BOLT-FLANGED-SMALL,6X8	13		
11056	11056-7806	BRACKET,MUFFLER MOUNT	1		
11061	11061-0013	GASKET,EXHAUST PIPE	1		
11061A	11061-0989	GASKET,EXHAUST HOLDER	1		
11061B	11061-1194	GASKET,EXHAUST MANIFOLD	1		
18077	18077-0040	ARRESTER-SPARK	1		
49070	49070-0804	MUFFLER-COMP	1		
49107	49107-0771	COVER-EXHAUST PIPE,RR,UPP	1		
49107A	49107-0772	COVER-EXHAUST PIPE,RR,LWR	1		
49107B	49107-0773	COVER-EXHAUST PIPE,FR,UPP	1		
49107C	49107-0774	COVER-EXHAUST PIPE,FR,LWR	1		
49107D	49107-0786	COVER-EXHAUST PIPE	1		
59081	59081-0295	MANIFOLD-EXHAUST	1		
92004	92004-0746	STUD,8X50	1		
92004A	92004-0747	STUD,8X80	1		
92004B	92004-0748	STUD,8X22	4		
92015	92015-1402	NUT,8MM	4		

Callout	Part Number	Description	Qty	Remarks	
92026	92026-0817	SPACER	1		
92154	92154-0852	BOLT,FLANGED,6X12	3		
92154A	92154-1990	BOLT,FLANGED,8X50	3		
92154B	92154-1991	BOLT,FLANGED,8X71	1		
92161	92161-0961	DAMPER	2		
92210	92210-1456	NUT,8MM	1		
92210A	92210-1473	NUT,8MM	2		



Callout	Part Number	Description	Qty	Remarks	
11056	11056-7693	BRACKET,LEVEL GAUGE PIPE	1		
13070	13070-0830	GUIDE,OIL LEVEL GAUGE	1		
14093	14093-0445	COVER	1		
16082	16082-0763	PUMP-ASSY-OIL	1		
16097	16097-0012	FILTER-ASSY-OIL	1		
21176	21176-0767	SENSOR,ROTATION	1		
27010	27010-0838	SWITCH,OIL PRESSURE	1		
31064	31064-0677	PIPE-COMP,LEVEL GAUGE	1		
31064A	31064-0679	PIPE-COMP,OIL	1		
39171	39171-0003	FLANGE-COMP	1		
41077	41077-0722	ADAPTER,ROTATION SENSOR	1		
43049	43049-0039	PACKING	1		
49034	49034-0566	PAN-OIL	1		
49091	49091-0006	WASHER-SEAL	1		
52005	52005-0754	GAUGE,OIL LEVEL	1		
52005A	52005-0759	GAUGE,OIL LEVEL	1		
92001	92001-1034	BOLT,FLANGED,6X10	3		
92004	92004-0745	STUD,8X25	2		
92004A	92004-0749	STUD	1		

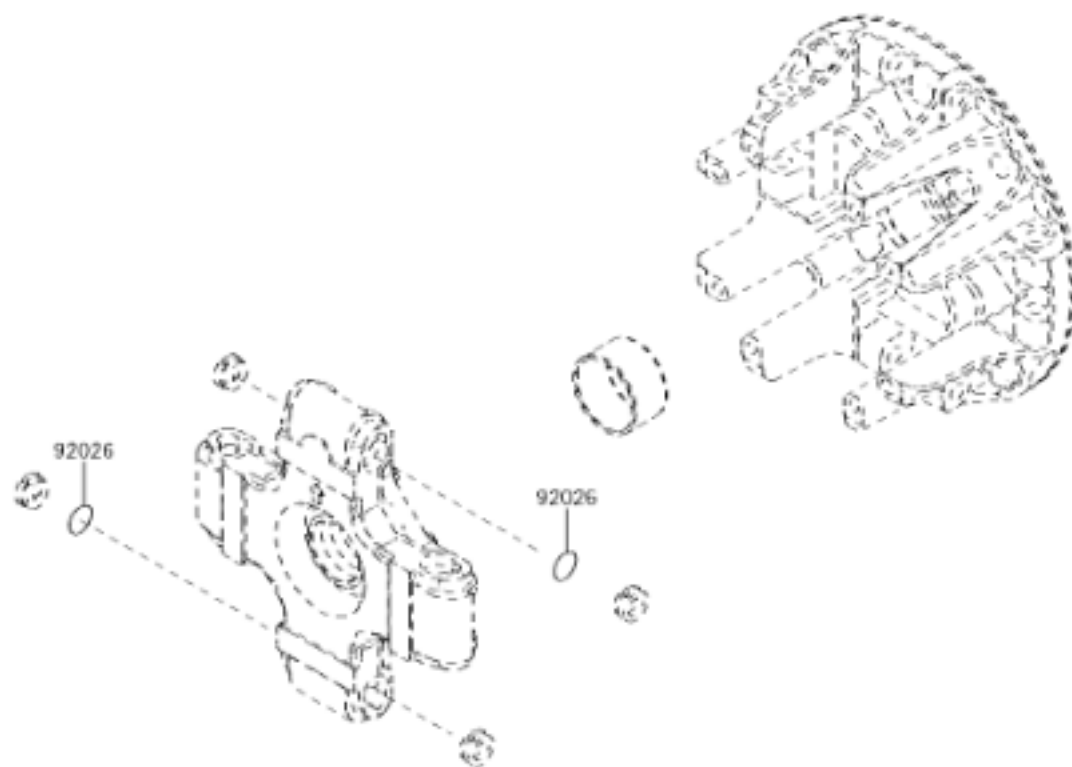


Callout	Part Number	Description	Qty	Remarks	
92037	92037-1678	CLAMP	2		
92043	92043-0885	PIN,10X16	2		
92043A	92043-0886	PIN,8X16	2		
92055	92055-0857	RING-O	1		
92066	92066-0851	PLUG,DRAIN	1		
92153	92153-1425	BOLT,FLANGED,6X30	1		
92154	92154-1985	BOLT,10X20	9		
92154A	92154-1986	BOLT,TORX,6X10	16		
92154B	92154-1997	BOLT,FLANGED,6X14	3		
92154C	92154-1998	BOLT,FLANGED,6X12	2		
92154D	92154-2068	BOLT,FLANGED,6X10	2		
92171	92171-0372	CLAMP,CLIP,12.5MM	2		
92180	92180-0968	SHIM,T=1.0	AR		
92180	92180-0969	SHIM,T=0.5	AR		
92192	92192-1482	TUBE,9X17.5X52	1		
92192A	92192-1501	TUBE,PIPE COMP-OIL PAN	1		
92210	92210-0555	NUT,FLANGED,8MM	1		

F2890



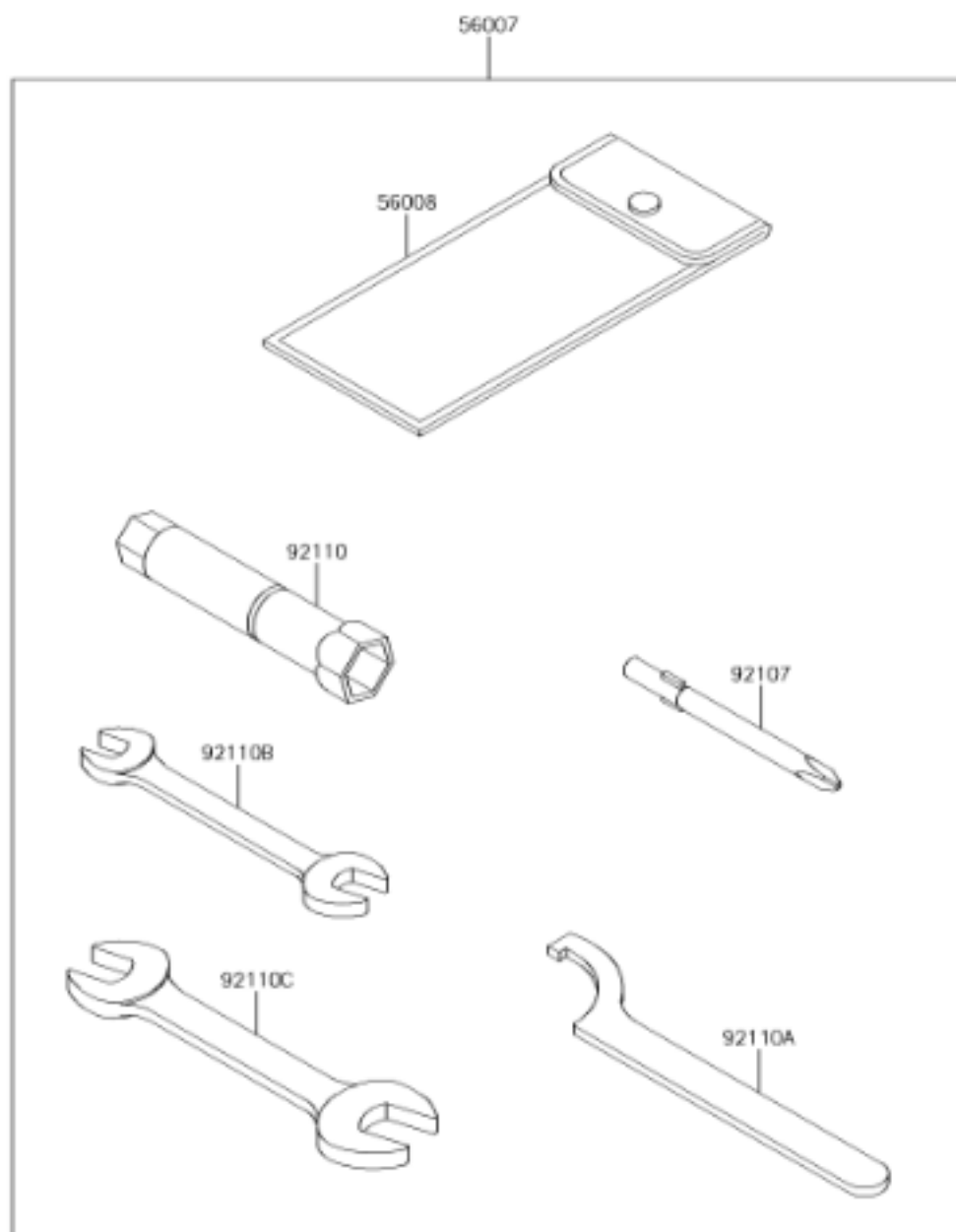
(Ref. Drive Converter)



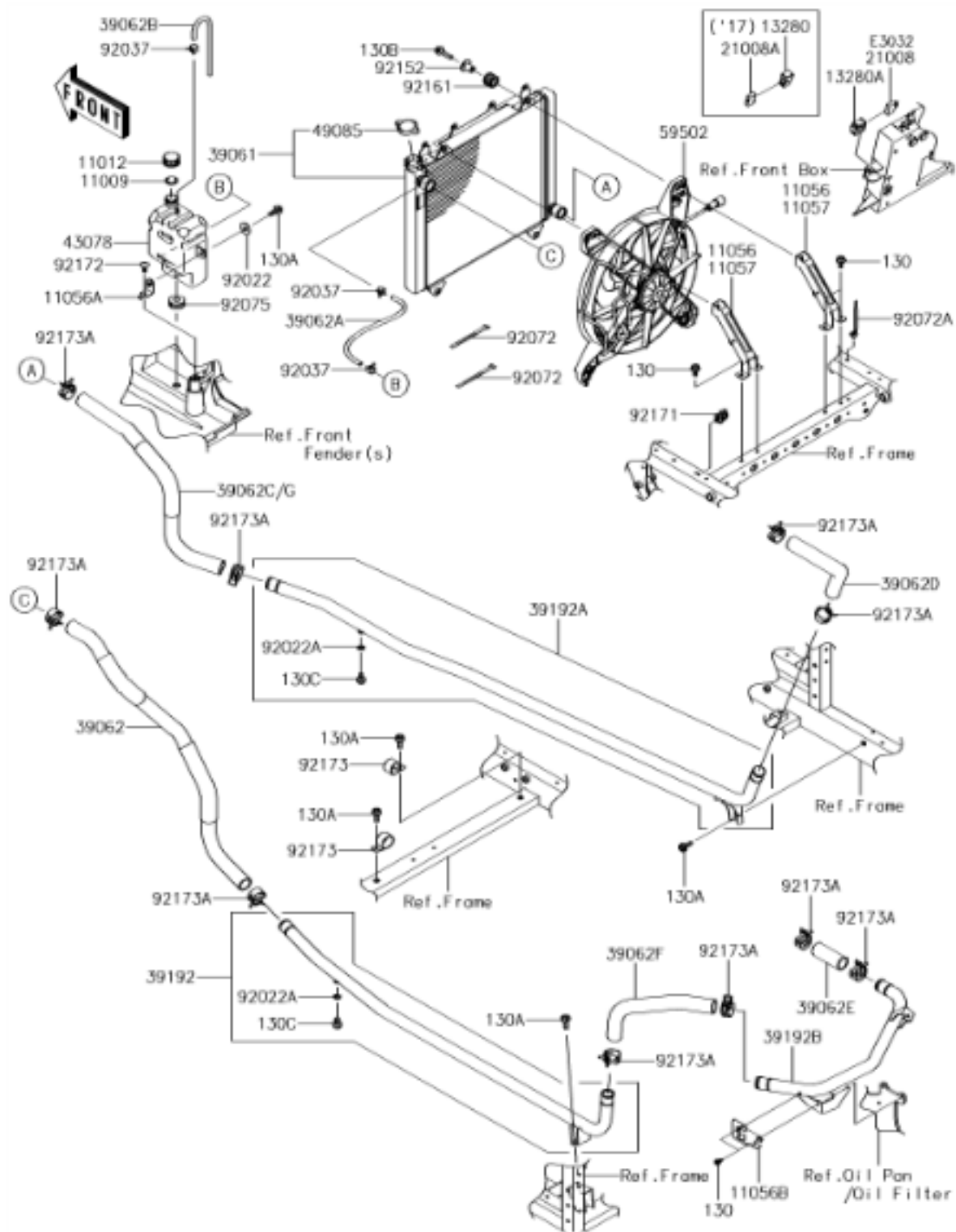
Callout	Part Number	Description	Qty	Remarks	
92026	92026-0038	SPACER,T=0.1	2	(OPTION)	



Callout	Part Number	Description	Qty	Remarks	
130	130BA0620	BOLT-FLANGED,6X20	2		
11057	11057-1503	BRACKET,TUB MOUNT	1		
13272	13272-2205	PLATE,FLOOR BOTTOM	1		
14093	14093-0523	COVER,STORAGE BOX	1		
39012	39012-0046	CASE-STORAGE	1		
49031	49031-0008	LATCH	2		
92001	92001-1105	BOLT,FLANGED,6X38	2		
92015	92015-1603	NUT,LOCK,FLANGED,6MM	4		
92039	92039-0785	RIVET,3.2X9.5	4		
92066	92066-1306	PLUG	1		
92075	92075-1912	DAMPER	2		
92077	92077-0030	KNOB	2		
92152	92152-0237	COLLAR,6.3X8.3X9.2	2		
92154	92154-1250	BOLT,6X15.6	6		
92160	92160-1075	DAMPER	4		
92161	92161-1874	DAMPER,20X60X6	2		
92200	92200-0503	WASHER	4		



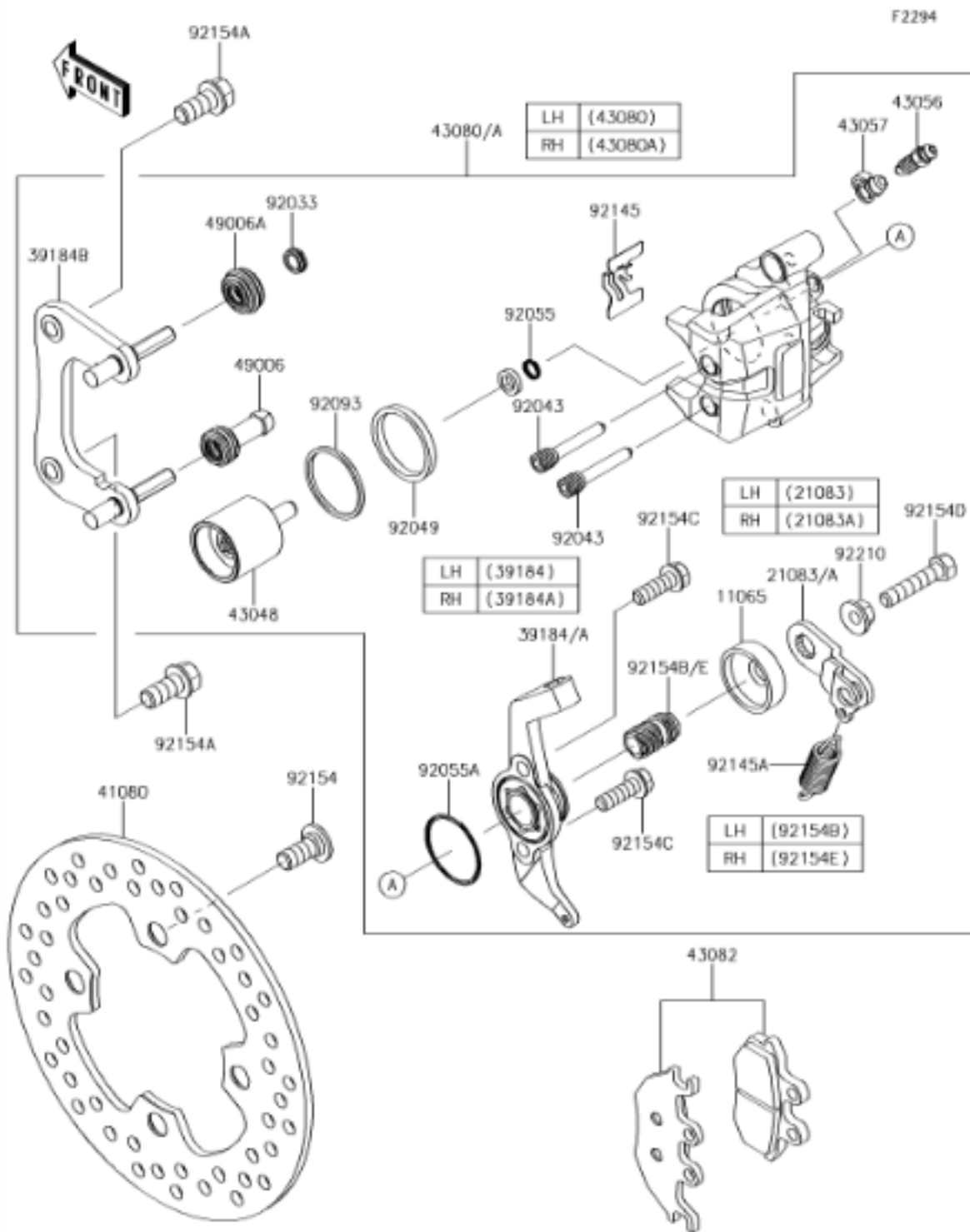
Callout	Part Number	Description	Qty	Remarks	
56007	56007-0087	TOOL-KIT	1		
56008	56008-1007	BAG,TOOL	1		
92107	92107-005	TOOL-DRIVER,#3PHILLIPS	1		
92110	92110-1115	TOOL-WRENCH,BOX,21MM	1		
92110A	92110-1129	TOOL-WRENCH,HOOK	1		
92110B	92110-1152	TOOL-WRENCH,OPEN END,10X12	1		
92110C	92110-1153	TOOL-WRENCH,OPEN END,14X17	1		





Callout	Part Number	Description	Qty	Remarks	
130	130BA0612	BOLT-FLANGED,6X12	6		
130A	130BA0616	BOLT-FLANGED,6X16	5		
130B	130BA0625	BOLT-FLANGED,6X25	4		
130C	130BB0610	BOLT-FLANGED,6X10	2		
11009	11009-1145	GASKET,RESERVOIR TANK CAP	1		
11012	11012-1084	CAP	1		
11056A	11056-3856	BRACKET,RESERVOIR	1		
11056B	11056-7479	BRACKET,HARNESS	1		
11057	11057-0774	BRACKET,RADIATOR	2		
13280A	13280-0898	HOLDER,BREAKER	1		
21008	21008-0011	BREAKER,RAD. FAN,20A	1		
39061	39061-0706	RADIATOR-ASSY	1		
39062	39062-0650	HOSE-COOLING,RADIATOR IN	1		
39062A	39062-0657	HOSE-COOLING,RAD.-RESERVOIR	1		
39062B	39062-0696	HOSE-COOLING,OVER FLOW	1		
39062D	39062-0713	HOSE-COOLING,ENGINE IN	1		
39062E	39062-0714	HOSE-COOLING,ENGINE OUT	1		
39062F	39062-0715	HOSE-COOLING,ENGINE OUT	1		
39062C	39062-0777	HOSE-COOLING,RADIATOR OUT	1		

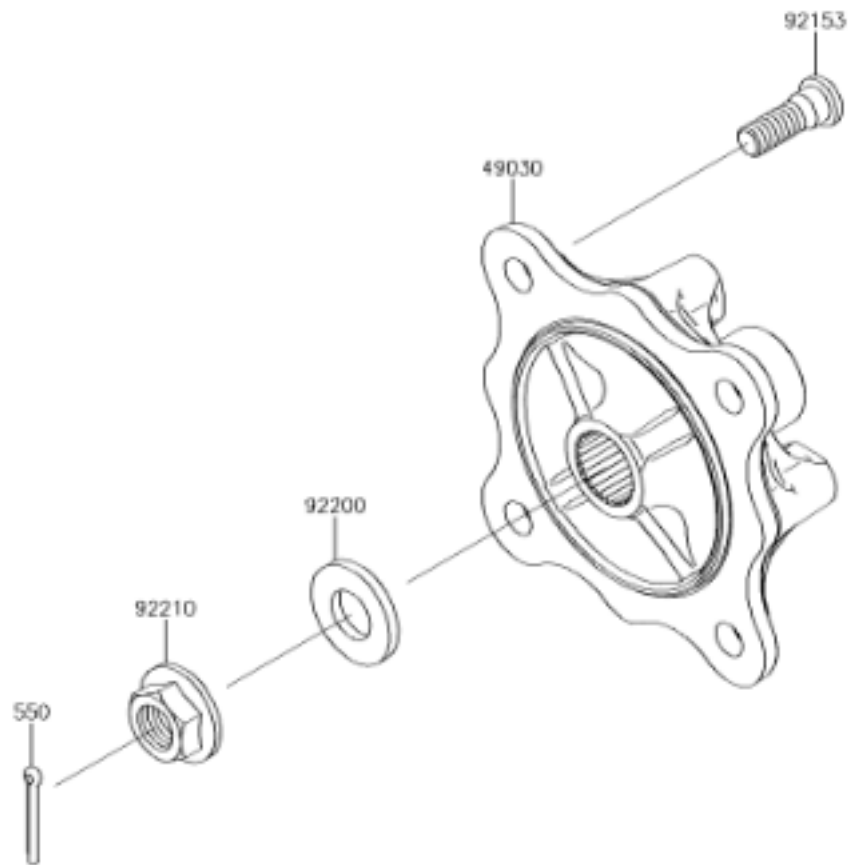
Callout	Part Number	Description	Qty	Remarks	
39192	39192-0575	PIPE-WATER,LH	1		
39192A	39192-0591	PIPE-WATER,RH	1		
39192B	39192-0593	PIPE-WATER,CNT	1		
43078	43078-0571	RESERVOIR	1		
49085	49085-0005	CAP-ASSY-PRESSURE	1		
59502	59502-0609	FAN-ASSY	1		
92022	92022-165	WASHER,PLAIN,6MM	1		
92022A	92022-304	WASHER,6.2X11X1	2		
92037	92037-1461	CLAMP,TUBE	3		
92072	92072-030	BAND,L=123	2		
92072A	92072-1414	BAND,OS170-FT7(BLACK)	1		
92075	92075-1185	DAMPER	1		
92152	92152-1512	COLLAR	4		
92161	92161-1349	DAMPER	4		
92171	92171-0453	CLAMP	1		
92172	92172-0284	SCREW,6X16	1		
92173	92173-1204	CLAMP	2		
92173A	92173-1205	CLAMP,28.6MM	10		



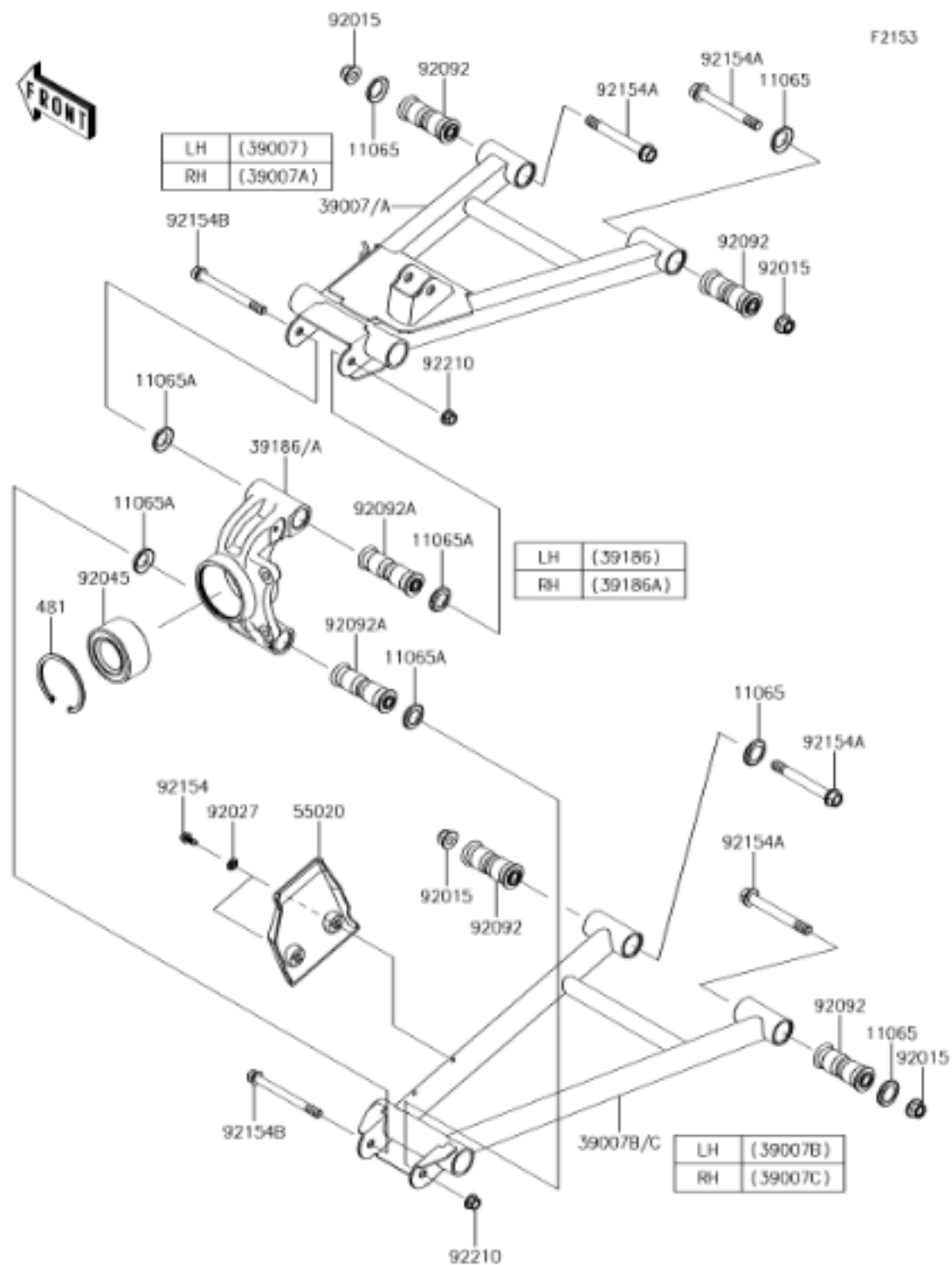
Callout	Part Number	Description	Qty	Remarks	
11065	11065-0870	CAP	2		
21083	21083-0728	ARM,BRAKE,RR,LH	1		
21083	21083-0729	ARM,BRAKE,RR,RH	1		
39184	39184-0042	BRACKET-ASSY,LH	1		
39184	39184-0043	BRACKET-ASSY,RH	1		
39184B	39184-0044	BRACKET-ASSY	2		
41080	41080-0608	DISC	2		
43048	43048-0027	PISTON-CALIPER	2		
43056	43056-0010	BREATHER-BRAKE	2		
43057	43057-0552	CAP-BREATHER	2		
43080	43080-0163	CALIPER-SUB-ASSY,RR,LH	1		
43080	43080-0164	CALIPER-SUB-ASSY,RR,RH	1		
43082	43082-0140	PAD-ASSY-BRAKE	2		
49006	49006-0591	BOOT	2		
49006A	49006-0592	BOOT	2		
92033	92033-0749	RING-SNAP	2		
92043	92043-0818	PIN	4		
92049	92049-0765	SEAL-OIL	2		
92055	92055-0793	RING-O	2		

Callout	Part Number	Description	Qty	Remarks	
92055A	92055-0795	RING-O	2		
92093	92093-0613	SEAL	2		
92145	92145-1619	SPRING	2		
92145A	92145-1690	SPRING,RETURN,47MM	2		
92154	92154-0713	BOLT,SOCKET,10X23	8		
92154A	92154-1327	BOLT,FLANGED,10X22	4		
92154B	92154-1479	BOLT,LH	1		
92154C	92154-1480	BOLT	4		
92154D	92154-1481	BOLT	2		
92154B	92154-1503	BOLT,RH	1		
92210	92210-0912	NUT	2		

F2240



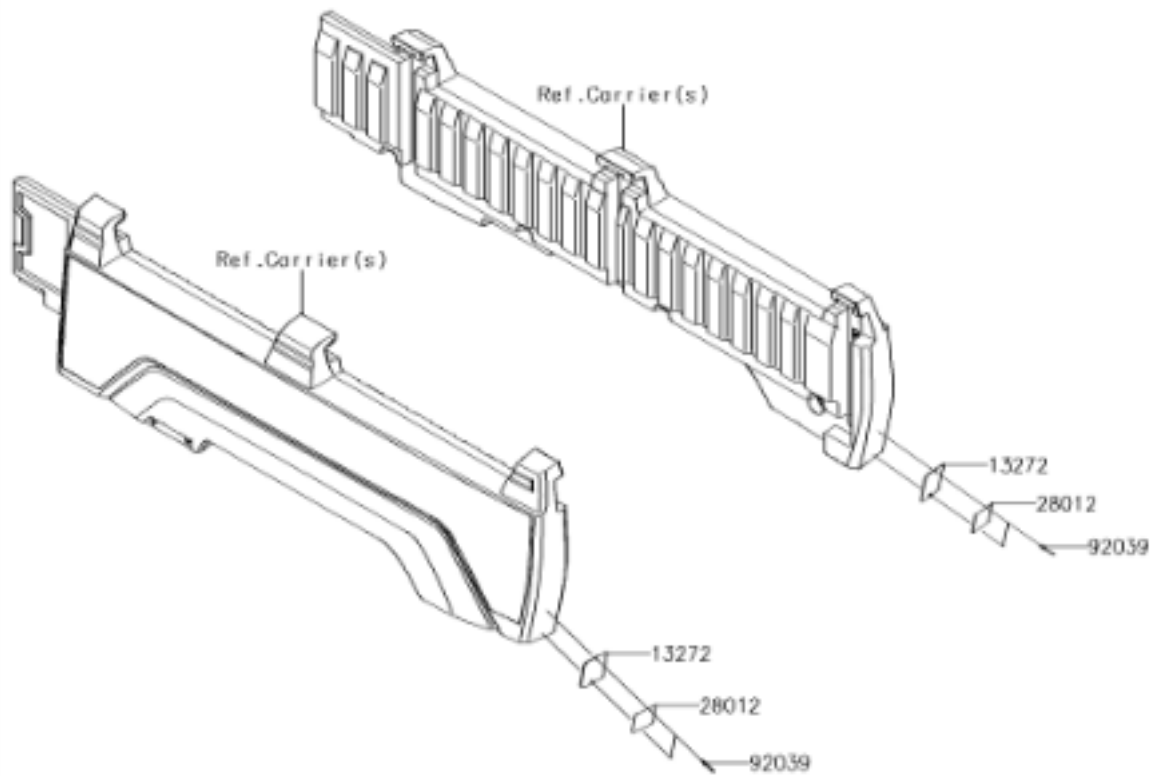
Callout	Part Number	Description	Qty	Remarks	
550	550AA4030	PIN-COTTER,4.0X30	2		
49030	49030-0049	HUB,RR	2		
92153	92153-1915	BOLT,12MM	8		
92200	92200-0921	WASHER,20.3X41X4.5	2		
92210	92210-2093	NUT,FLANGED,20MM	2		



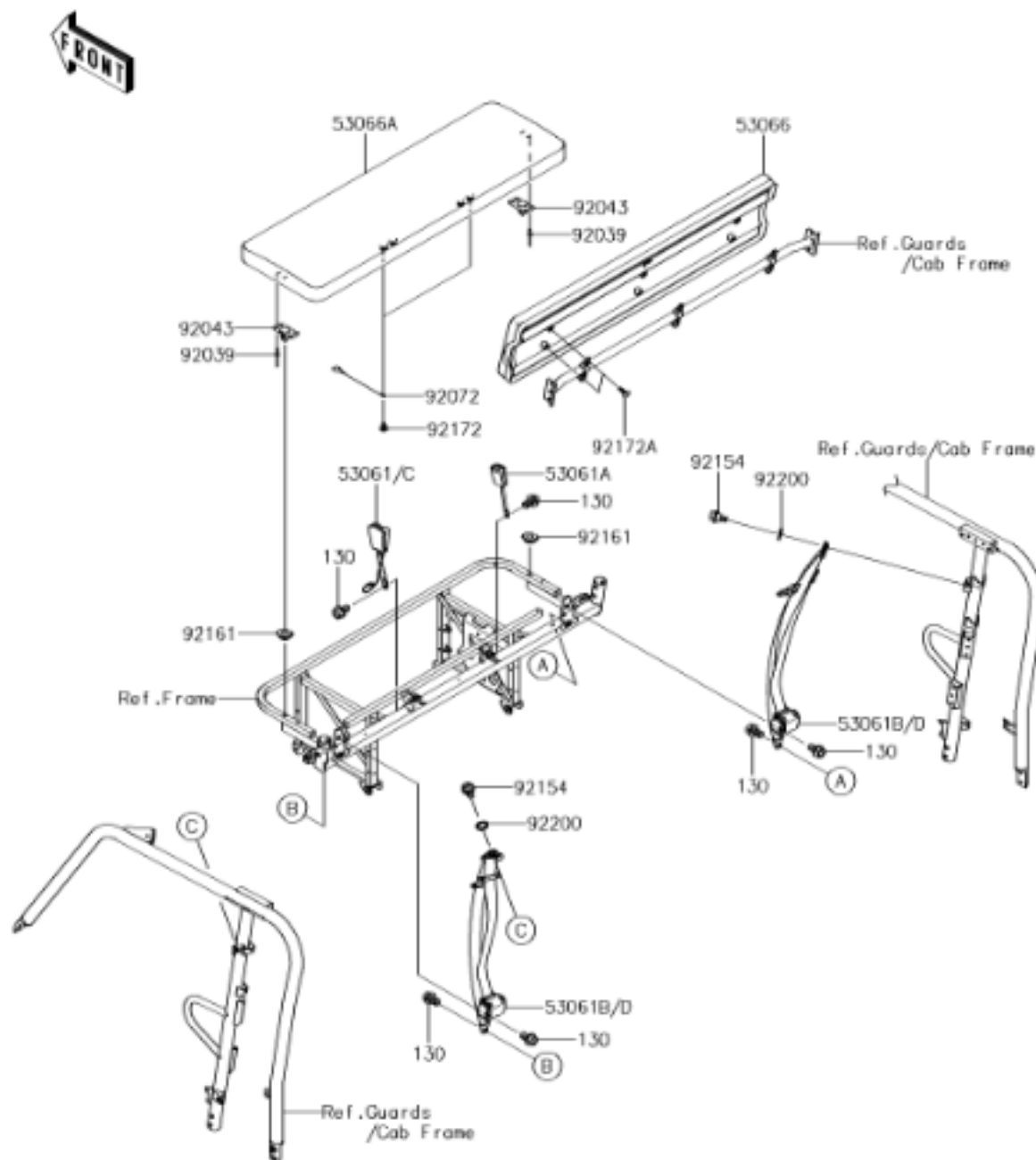


Callout	Part Number	Description	Qty	Remarks	
481	481J7500	CIRCLIP-TYPE-C	2		
11065	11065-0838	CAP,ARM	8		
11065A	11065-0849	CAP	8		
39007	39007-0379	ARM-SUSP,RR,UPP,LH	1		
39007	39007-0380	ARM-SUSP,RR,UPP,RH	1		
39007B	39007-0381	ARM-SUSP,RR,LWR,LH	1		
39007B	39007-0382	ARM-SUSP,RR,LWR,RH	1		
39186	39186-0317	KNUCKLE,RR,LH	1		
39186	39186-0318	KNUCKLE,RR,RH	1		
55020	55020-0931	GUARD,RR CVJ	2		
92015	92015-1433	NUT,LOCK,FLANGED,12MM	8		
92027	92027-1168	COLLAR,L=4.6	4		
92045	92045-0763	BEARING-BALL,40X74X36	2		
92092	92092-0028	BUSHING-RUBBER,12X20X78	8		
92092A	92092-0029	BUSHING-RUBBER,10.1X17X88	4		
92154	92154-1250	BOLT,6X15.6	4		
92154A	92154-1318	BOLT,FLANGED,12X100	8		
92154B	92154-1353	BOLT,FLANGED,10X110	4		
92210	92210-0276	NUT,LOCK,FLANGED,10MM	4		

F2790

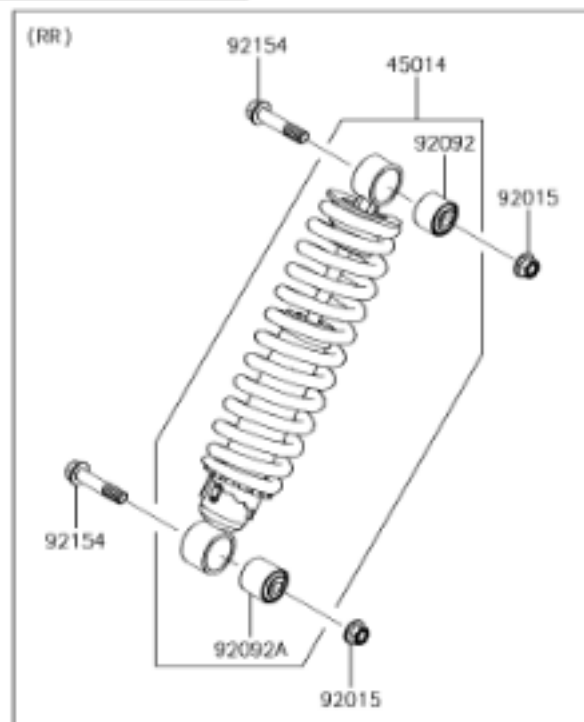
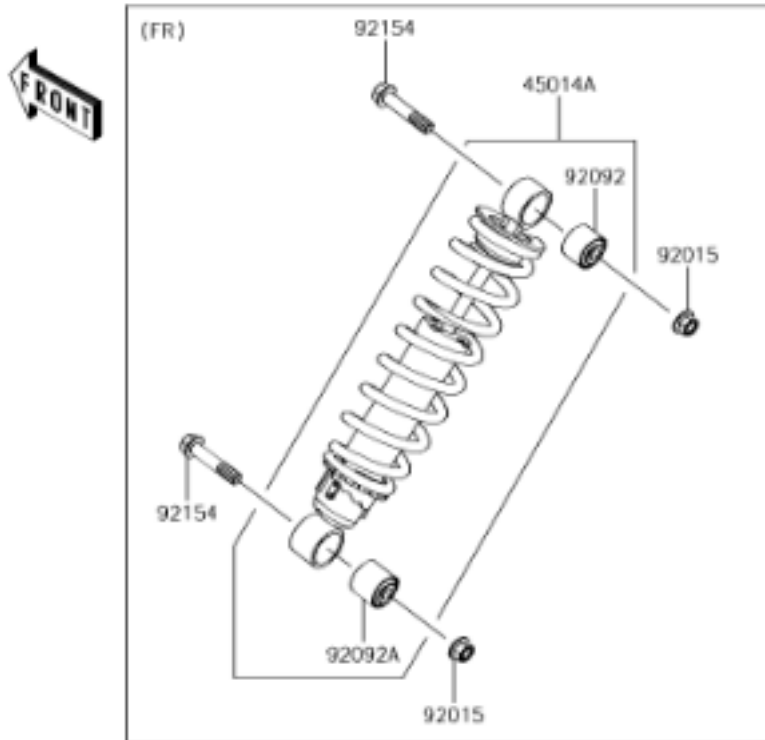


Callout	Part Number	Description	Qty	Remarks	
13272	13272-1997	PLATE	2		
28012	28012-0036	REFLECTOR-REFLEX,50X50	2		
92039	92039-0762	RIVET,3.2X13.4	4		



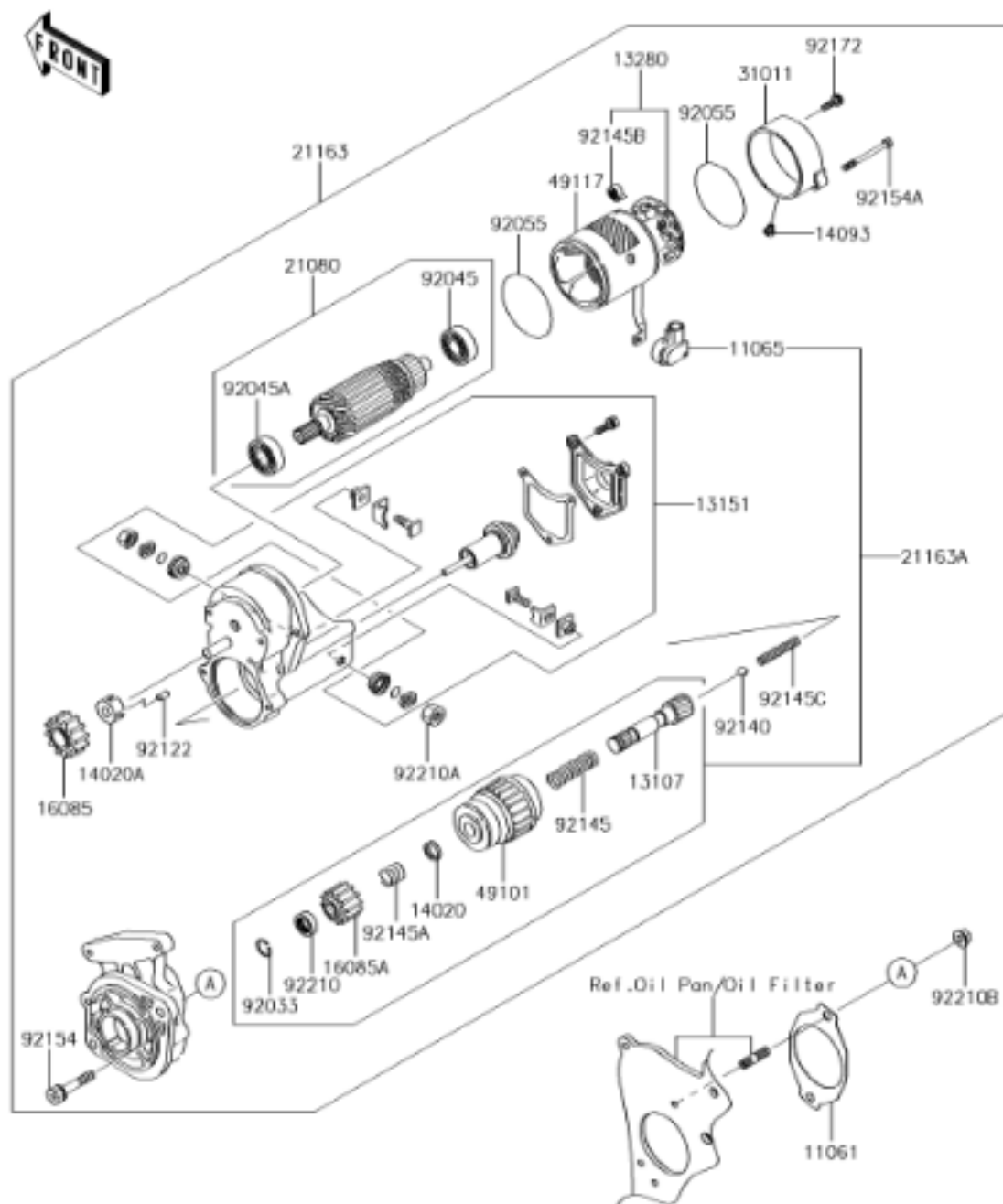
Callout	Part Number	Description	Qty	Remarks	
130	130BA1220	BOLT-FLANGED,12X20	6		
53061A	53061-0039	BELT-SEAT,BUCKLE	1		
53061	53061-0338	BELT-SEAT,BUCKLE,SW.	1		
53061B	53061-0340	BELT-SEAT,FR,LH&RH	2		
53066	53066-0426-MA	SEAT-ASSY,BACK,BLACK	1		
53066A	53066-0495-MA	SEAT-ASSY,BOTTOM,BLACK	1		
92039	92039-0747	RIVET	8		
92043	92043-0859	PIN	2		
92072	92072-0769	BAND	2		
92154	92154-1959	BOLT,FLANGED,10X19.5	2		
92161	92161-1784	DAMPER,10.5X30X8.2	2		
92172	92172-0284	SCREW,6X16	2		
92172A	92172-0488	SCREW,TAPPING,6X20	6		
92200	92200-1798	WASHER,16X22X2	2		

F2280



Callout	Part Number	Description	Qty	Remarks	
45014	45014-0537	SHOCKABSORBER,RR	2		
45014A	45014-0558	SHOCKABSORBER,FR	2		
92015	92015-1433	NUT,LOCK,FLANGED,12MM	8		
92092	92092-0034	BUSHING-RUBBER,UPP	4		
92092A	92092-0035	BUSHING-RUBBER,LWR	4		
92154	92154-1319	BOLT,FLANGED,12X58	8		

E1840

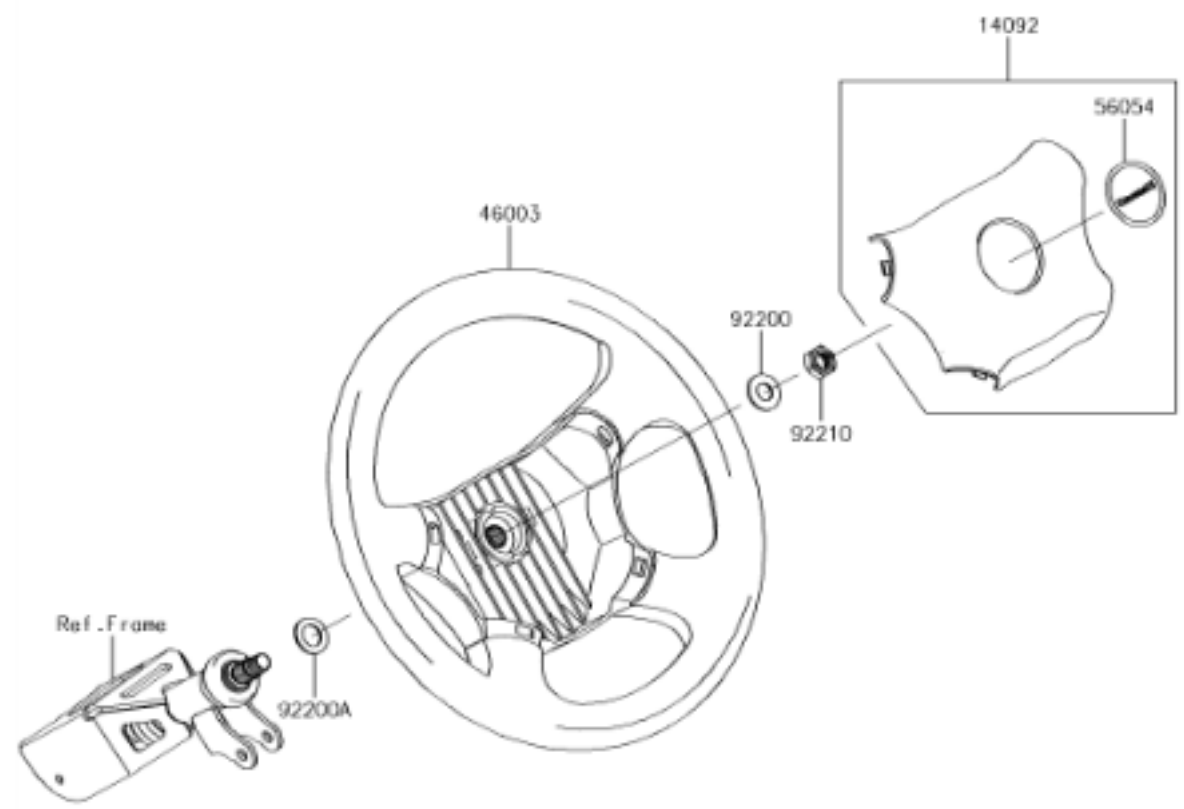




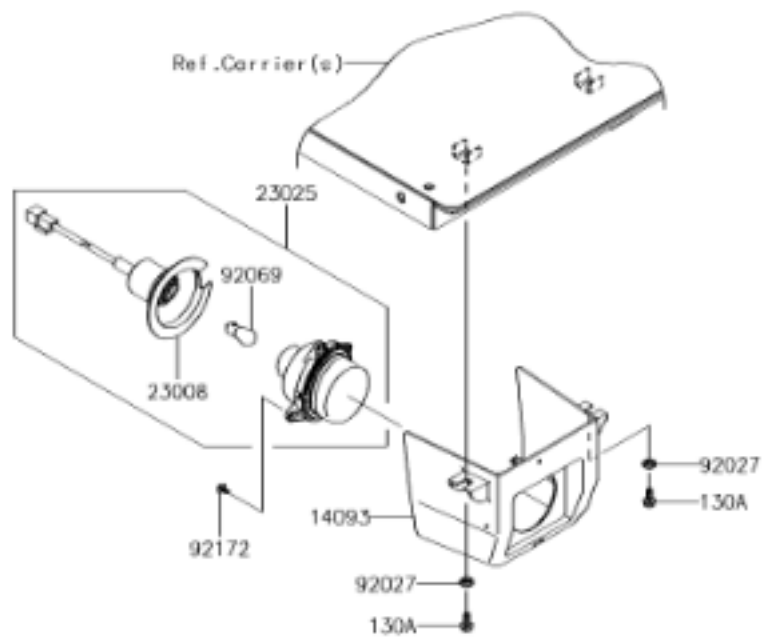
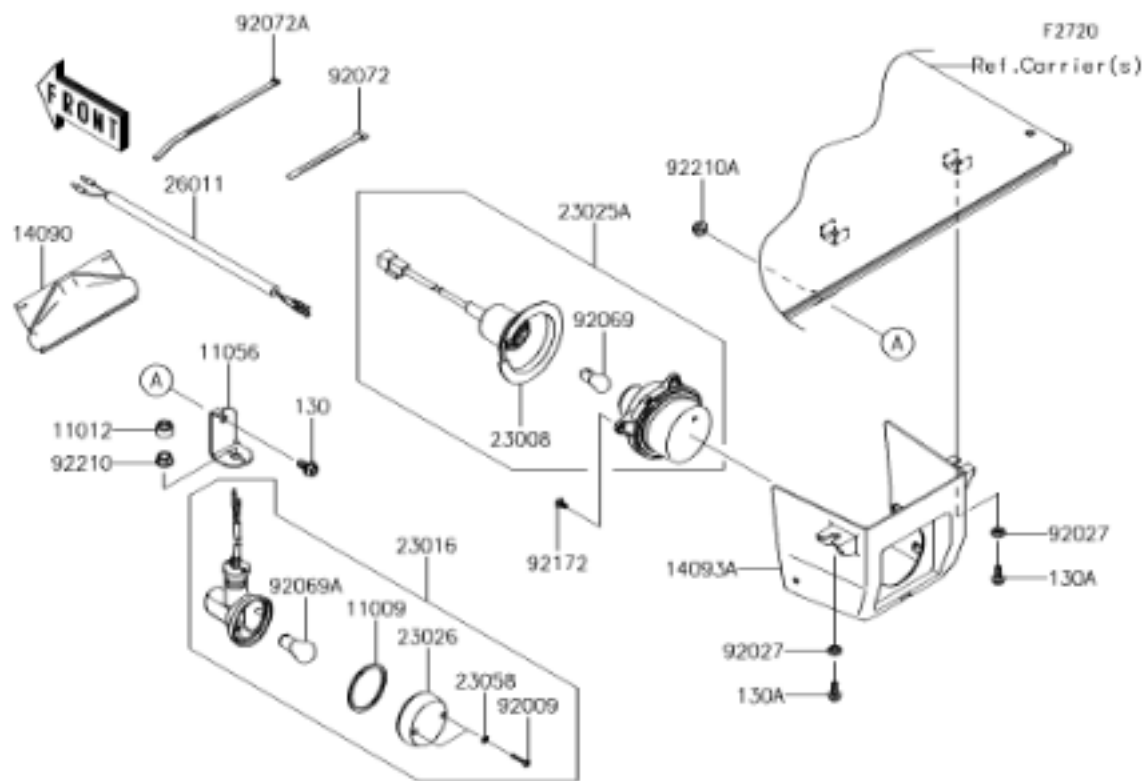
Callout	Part Number	Description	Qty	Remarks	
11061	11061-1195	GASKET,STARTER	1		
11065	11065-0939	CAP	1		
13107	13107-0841	SHAFT	1		
13151	13151-0573	SWITCH-COMP,MAGNET	1		
13280	13280-0863	HOLDER	1		
14020	14020-0020	RETAINER	1		
14020A	14020-0021	RETAINER	1		
14093	14093-0449	COVER	1		
16085	16085-0649	GEAR,PINION	1		
16085A	16085-0652	GEAR,PINION	1		
21080	21080-0010	ARMATURE	1		
21163	21163-0752	STARTER-ELECTRIC	1		
21163A	21163-0753	STARTER-ELECTRIC	1		
31011	31011-0029	FRAME	1		
49101	49101-0002	CLUTCH,STARTER	1		
49117	49117-0593	YOKE	1		
92033	92033-0775	RING-SNAP	1		
92045	92045-0808	BEARING-BALL	1		
92045A	92045-0809	BEARING-BALL	1		

Callout	Part Number	Description	Qty	Remarks	
92055	92055-0863	RING-O	2		
92122	92122-0048	ROLLER	5		
92140	92140-0017	BALL	1		
92145	92145-1713	SPRING	1		
92145A	92145-1714	SPRING	1		
92145B	92145-1715	SPRING	4		
92145C	92145-1716	SPRING	1		
92154	92154-2072	BOLT	2		
92154A	92154-2073	BOLT	2		
92172	92172-0988	SCREW	2		
92210	92210-1470	NUT	1		
92210A	92210-1472	NUT	1		
92210B	92210-1473	NUT,8MM	2		

F2311

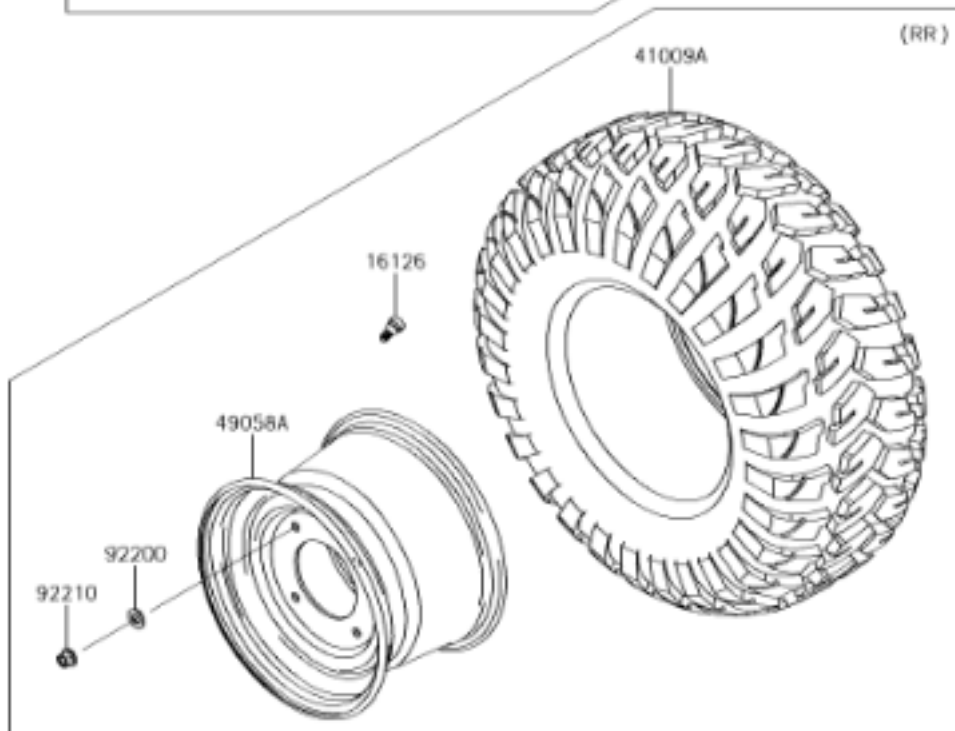
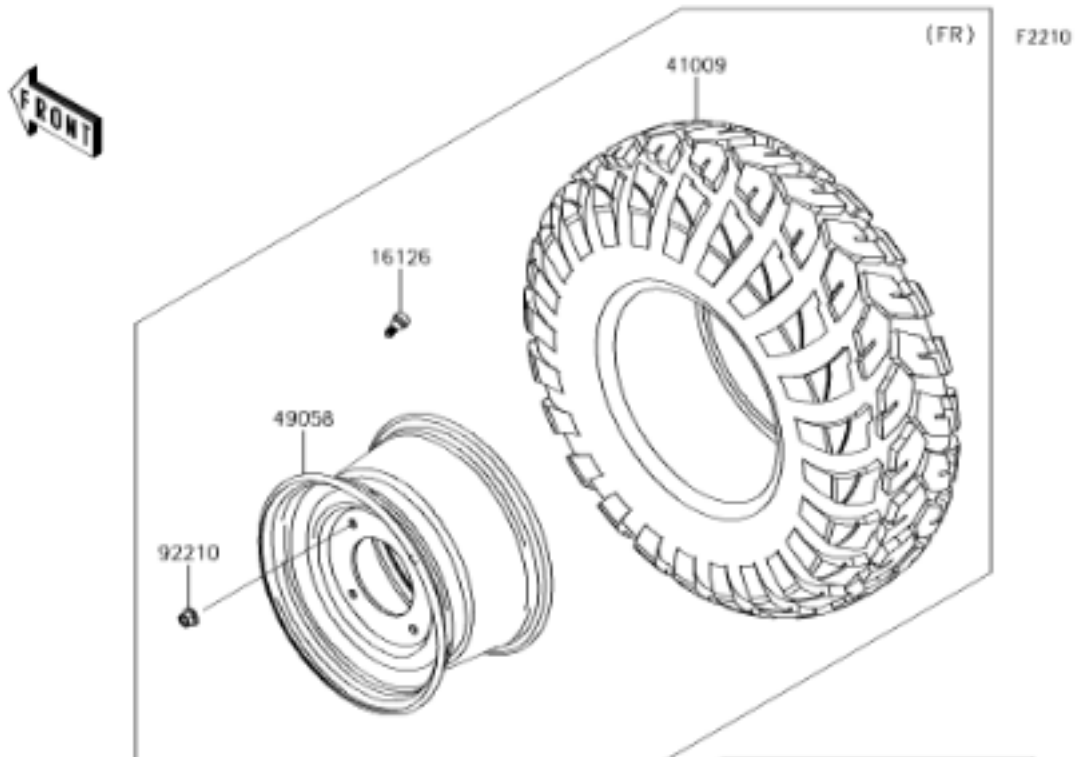


Callout	Part Number	Description	Qty	Remarks	
14092	14092-1029	COVER,HORN SWITCH	1		
46003	46003-0595	HANDLE	1		
56054	56054-1188	MARK,CENTER LOGO,KAWASAKI	1		
92200	92200-0455	WASHER,12.1X25X1.6	1		
92200A	92200-0460	WASHER,15X25X1.6	1		
92210	92210-1249	NUT,LOCK,12MM	1		



Callout	Part Number	Description	Qty	Remarks	
130	130BA0816	BOLT-FLANGED,8X16	1		
130A	130CA0616	BOLT-FLANGED,6X16	4		
11009	11009-1373	GASKET	1		
11012	11012-1367	CAP	1		
11056	11056-7482	BRACKET	1		
14090	14090-1331	COVER,COUPLER	1		
14093	14093-0580	COVER,TAIL LAMP,LH	1		
14093A	14093-0581	COVER,TAIL LAMP,RH	1		
23008	23008-0162	SOCKET-ASSY	2		
23016	23016-1182	LAMP-ASSY,REVERSE	1		
23025	23025-0334	LAMP-TAIL,LH	1		
23025A	23025-0341	LAMP-TAIL,RH	1		
23026	23026-1227	LENS,REVERSE LAMP	1		
23058	23058-002	WASHER,PLAIN,4MM	2		
26011	26011-0927	WIRE-LEAD	1		
92009	92009-1069	SCREW,TAPPING,4X25	2		
92027	92027-1168	COLLAR,L=4.6	4		
92069	92069-0072	BULB,12V 21/5W	2		
92069A	92069-085	BULB,12V 10W	1		

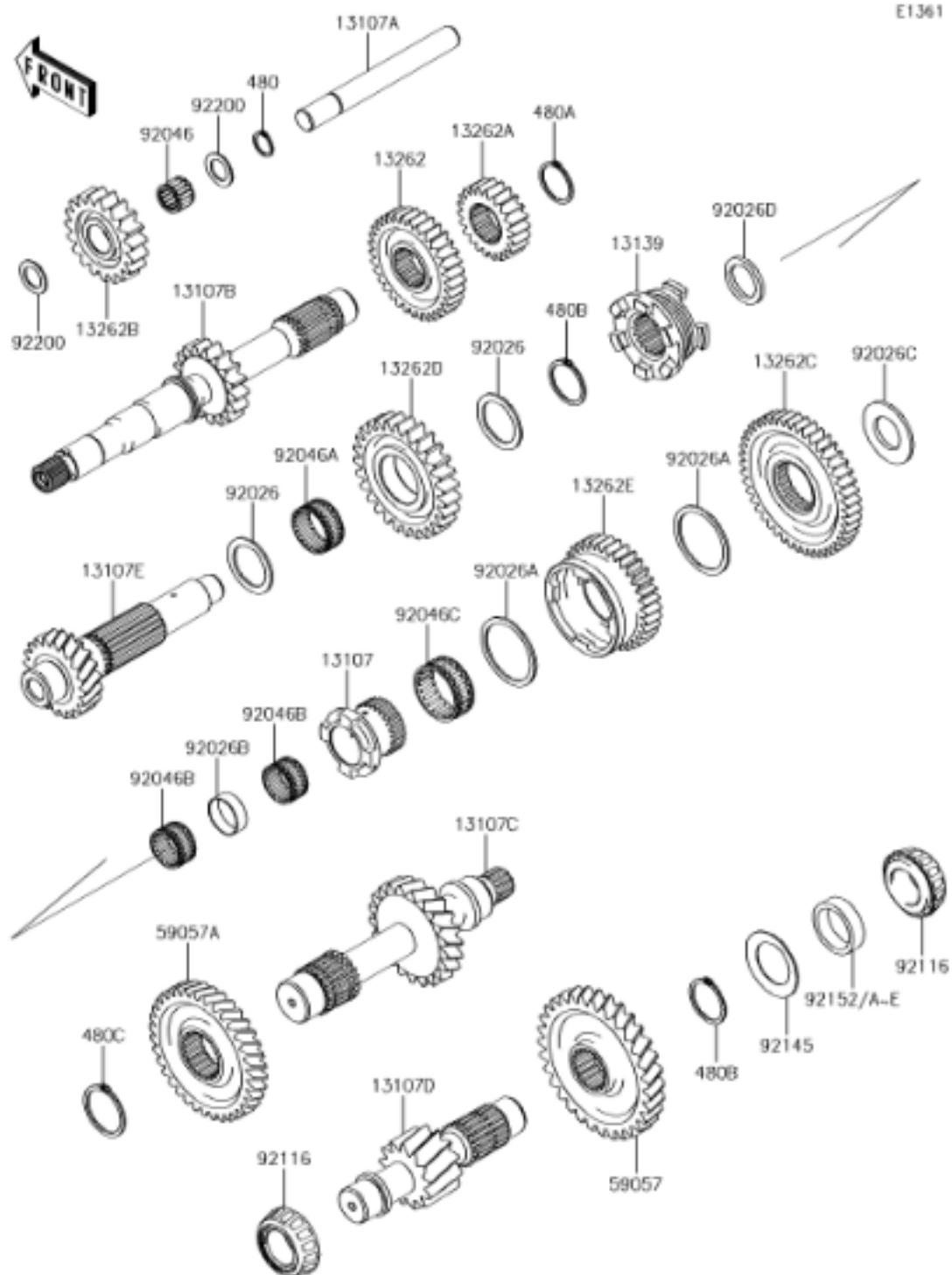
Callout	Part Number	Description	Qty	Remarks	
92072	92072-030	BAND,L=123	1		
92072A	92072-3509	BAND,L=292.1	1		
92172	92172-0262	SCREW,TAPPING,5X10	6		
92210	92210-0276	NUT,LOCK,FLANGED,10MM	1		
92210A	92210-0493	NUT,FLANGED,LOCK,8MM	1		





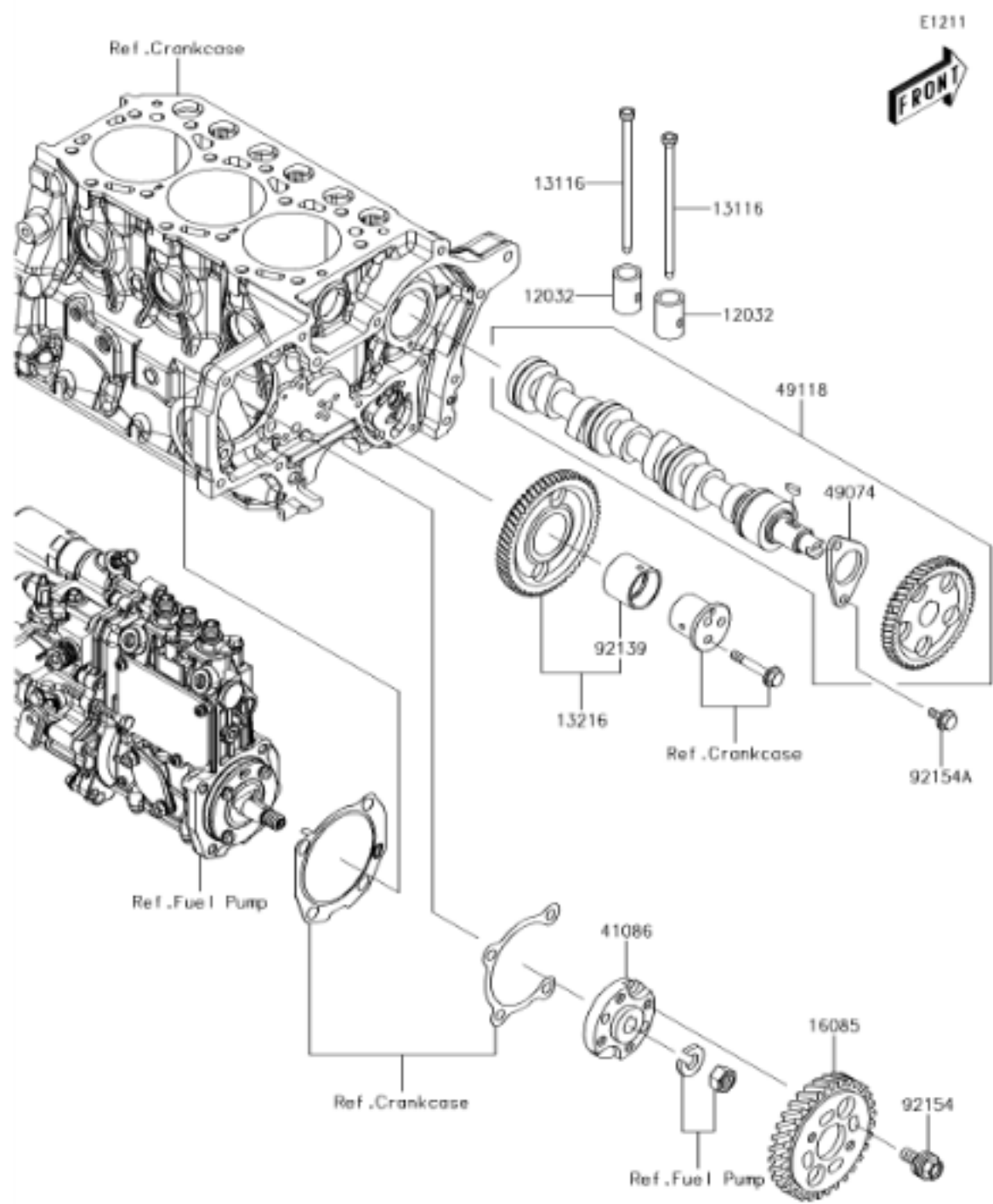
Callout	Part Number	Description	Qty	Remarks	
16126	16126-4001	VALVE	4		
41009	41009-0696	TIRE,FR,26X9.00R12 4PR,FRONTIER	2		
41009A	41009-0697	TIRE,RR,26X11.00R12 4PR,FRONTIER	2		
49058	49058-0608-397	WHEEL,FR,12X7.0AT,F.S.BLACK	2		
49058A	49058-0611-397	WHEEL,RR,12X8.0AT,F.S.BLACK	2		
92200	92200-0930	WASHER,12.1X26X2.3	8		
92210	92210-0603	NUT,12MM	16		

E1361

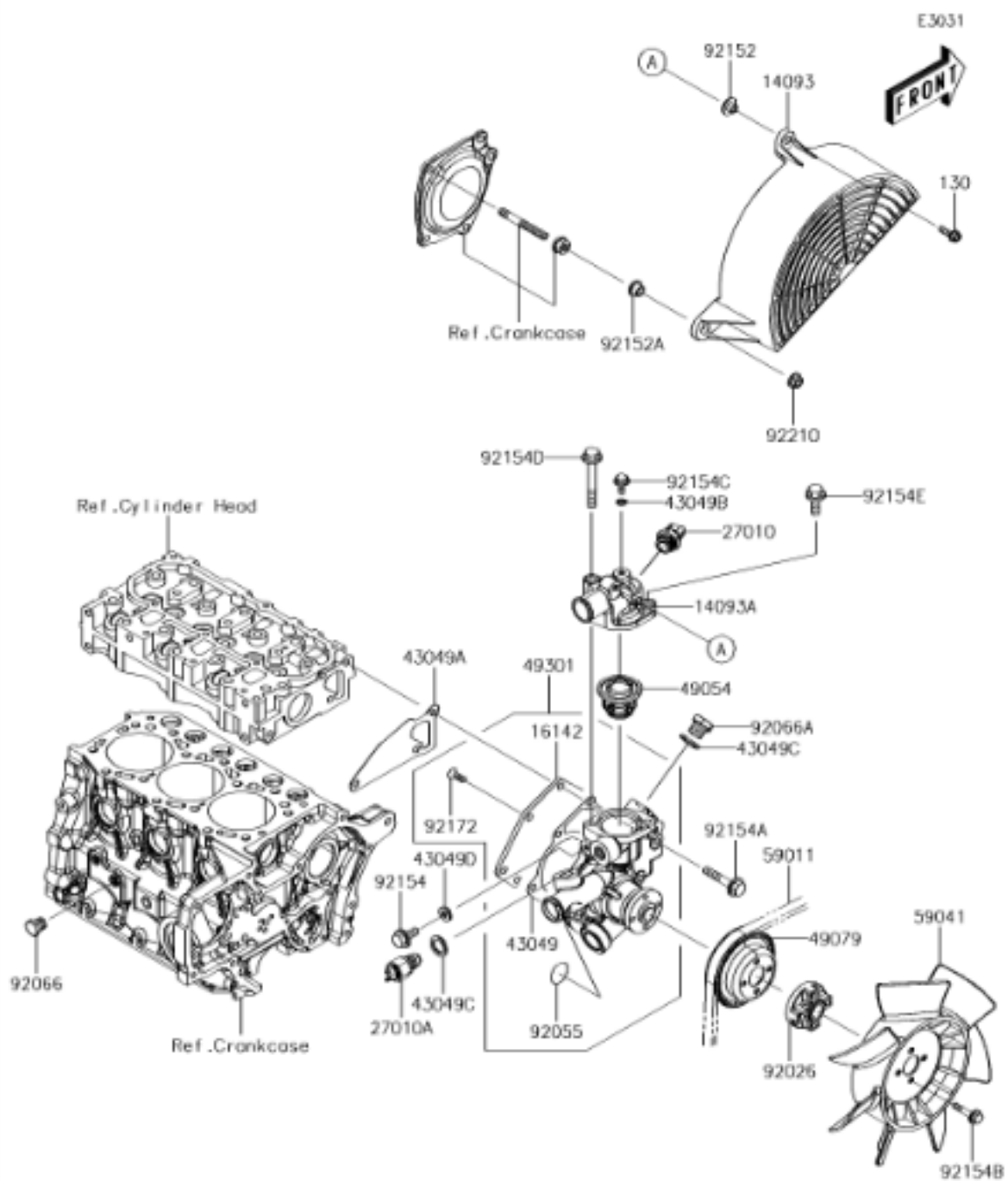


Callout	Part Number	Description	Qty	Remarks	
480	480J1800	CIRCLIP-TYPE-C,18MM	1		
480A	480J3200	CIRCLIP-TYPE-C,32MM	1		
480B	480J3500	CIRCLIP	2		
480C	480J4000	CIRCLIP	1		
13107	13107-0779	SHAFT	1		
13107A	13107-0780	SHAFT,IDLE REV	1		
13107B	13107-0782	SHAFT,INPUT,17T	1		
13107C	13107-0784	SHAFT,3RD,21T	1		
13107D	13107-0785	SHAFT,4TH,13T	1		
13107E	13107-0829	SHAFT,COUNTER,19T	1		
13139	13139-0022	SHIFTER	1		
13262	13262-1085	GEAR,INPUT HI,33T	1		
13262A	13262-1086	GEAR,INPUT LOW,22T	1		
13262B	13262-1087	GEAR,IDLE REV,19T	1		
13262C	13262-1088	GEAR,COUNTER LOW,45T	1		
13262D	13262-1089	GEAR,COUNTER REV,27T	1		
13262E	13262-1090	GEAR,COUNTER HI,34T	1		
59057	59057-0013	GEAR-HELICAL,31T	1		
59057A	59057-0022	GEAR-HELICAL,3RD,36T	1		

Callout	Part Number	Description	Qty	Remarks	
92026	92026-0765	SPACER,35.2X47X2	2		
92026A	92026-0766	SPACER,49.2X58X2	2		
92026B	92026-0767	SPACER,29.4X31.8X10	1		
92026C	92026-0768	SPACER	1		
92026D	92026-0795	SPACER,28.2X39X3.6	1		
92046	92046-0040	BEARING-NEEDLE,FMJ-182417	1		
92046A	92046-0611	BEARING-NEEDLE,35X40X17	1		
92046B	92046-0621	BEARING-NEEDLE,KT283317C3	2		
92046C	92046-1276	BEARING-NEEDLE,HIGH GEAR	1		
92116	92116-0007	BEARING-ROLLER	2		
92145	92145-1575	SPRING	1		
92152	92152-1815	COLLAR,L=12.1	AR		
92152	92152-1816	COLLAR,L=12.3	AR		
92152	92152-1817	COLLAR,L=12.5	AR		
92152	92152-1818	COLLAR,L=12.7	AR		
92152	92152-1819	COLLAR,L=12.9	AR		
92152	92152-1820	COLLAR,L=13.1	AR		
92200	92200-0716	WASHER,18.2X28X1.5	2		



Callout	Part Number	Description	Qty	Remarks	
12032	12032-0021	TAPPET	6		
13116	13116-0726	ROD-PUSH	6		
13216	13216-0889	GEAR-COMP,IDLE	1		
16085	16085-0648	GEAR,PUMP	1		
41086	41086-0723	FLANGE	1		
49074	49074-0004	PLATE-THRUST	1		
49118	49118-0864	CAMSHAFT-COMP	1		
92139	92139-0863	BUSHING,IDLE GEAR	1		
92154	92154-1996	BOLT	4		
92154A	92154-1998	BOLT,FLANGED,6X12	2		



Callout	Part Number	Description	Qty	Remarks	
130	130BA0620	BOLT-FLANGED,6X20	1		
14093	14093-0297	COVER,FAN	1		
14093A	14093-0446	COVER,THERMOSTAT	1		
16142	16142-0736	COVER-PUMP	1		
27010	27010-0839	SWITCH,THERMOSTAT	1		
27010A	27010-0840	SWITCH,THERMO	1		
43049	43049-0040	PACKING,WATER PUMP	1		
43049A	43049-0041	PACKING,WATER PUMP	1		
43049B	43049-0042	PACKING,6X1	1		
43049C	43049-0043	PACKING	2		
43049D	43049-0047	PACKING,8X1	1		
49054	49054-0008	THERMOSTAT	1		
49079	49079-0027	PULLEY-BELT	1		
49301	49301-0002	PUMP-ASSY-WATER	1		
59011	59011-0045	BELT,A35	1		
59041	59041-0015	FAN,COOLING	1		
92026	92026-0820	SPACER	1		
92055	92055-0858	RING-O	1		
92066	92066-0853	PLUG,DRAIN	1		



Callout	Part Number	Description	Qty	Remarks	
92066A	92066-0854	PLUG	1		
92152	92152-0181	COLLAR	1		
92152A	92152-0613	COLLAR	1		
92154	92154-1999	BOLT,FLANGED,8X12	1		
92154A	92154-2000	BOLT,FLANGED,8X45	3		
92154B	92154-2067	BOLT,FLANGED,6X30	4		
92154C	92154-2068	BOLT,FLANGED,6X10	1		
92154D	92154-2070	BOLT,FLANGED,8X65	1		
92154E	92154-2110	BOLT,FLANGED,8X28	1		
92172	92172-0987	SCREW,6X12	5		
92210	92210-0555	NUT,FLANGED,8MM	1		