

# PARTS CATALOGUE



ATV

LB20AB(CL)

MONGOOSE 90



檔車

Motorcycles



速克達

Scooters



全地型車

ATV



代步車

Mobilescooters

Release Date : 2014/04/14  
Print Date : 2015/02/13

## ABOUT THIS PARTS LIST

- This parts list is compiled all service parts for model LB20AB(CL).
- Any difference between color chart and motorcycle will be revised according to motorcycle.
- The Mark:
  1. Marking "\*\*\*" must add color code in the end before ordering parts.
  2. Marking "#" are parts with modification, Please find the details from e-Parts system.
- When modification or additions to this parts list are made a revised edition at an appropriate time.



# CONTENTS

● ABOUT THIS PARTS LIST .....	1
● COLOR CHART OF LB20AB(CL) .....	3
● CONTENTS-ENGINE GROUP .....	7
● CONTENTS-FRAME GROUP .....	8
● ENGINE PARTS LIST .....	11
● FRAME PARTS LIST .....	43
● PART NO. INDEX .....	95

NO	MODEL			COLOR CHART OF LB20AB(CL)			
	PHOTO NO			NO. 1	NO. 2	NO. 3	NO. 4
	BASIC COLOR			Blue	Red	Green	White
	CODE			Blue	Red	Green	White
	PARTS NAME	PARTS NO.	VERSION	PB089SA	RR338SA	GG146SA	NH195SA
1	COVER HANDLE	53205-LBD4-900	1	C3R	E4R	GXR	HGR
2	FENDER FRONT	60100-LBD4-900	4				
3	FENDER REAR	80100-LBD4-900	7				
4	LEVER R STRG HANDLE	53175-LLB1-800	0				
5	LEVER L STRG HNDL	53178-KEBE-900	0				
6	DISK RR BRAKE	43351-KEBE-900	2				
7	COVER.FR. BUMPER	64302-LBD4-910	1				
8	MUDGUARD ASSY.R	8012A-LBD4-910	1				
9	MUDGUARD ASSY.L	8012B-LBD4-910	1				
10	COVER L SIDE	11341-KHC4-900	6				
11	CALIPER ASSY RR	43100-LLB1-800	6				
12	PANEL COMP FR RH	45100-LBD4-900	2				
13	PANEL COMP FR LH	46100-LBD4-900	2				
14	HUB ASSY REAR	42610-LBD4-800	3				
15	RIM COMP RR WHEEL	42705-LBD4-900	6				
16	HUB ASSY FR	4460A-LBD4-900	2				
17	RIM COMP WHEEL	44705-LBD4-900	4				
18	CUSH ASSY FR	51400-LBD4-900	2				
19	CUSH ASSY RR	52400-LBD4-900	3				
20	SEAT ASSY	77200-PWA3-900	4				
21	STRIPE B R FR FENDER	86543-LBD4-E60	1				
22	STRIPE B L FR FENDER	86553-LBD4-E60	1				
23	LABEL TIRE	87505-LBD3-E00	3				
24	CAUTION LIST	87515-LBA7-E00	1				
25	CAUTION DRIVE AGE	87517-LBD4-E00	2				
DATE OF STARTING-SALES							
DATE OF END-SALES							

NO	MODEL			COLOR CHART OF LB20AB(CL)			
	PHOTO NO			NO. 5			
	BASIC COLOR			Yellow			
	CODE			Yellow			
	PARTS NAME	PARTS NO.	VERSION	YR110SA			
1	COVER HANDLE	53205-LBD4-900	1	YRR			
2	FENDER FRONT	60100-LBD4-900	4				
3	FENDER REAR	80100-LBD4-900	7				
4	LEVER R STRG HANDLE	53175-LLB1-800	0	M2A			
5	LEVER L STRG HNDL	53178-KEBE-900	0	M2S			
6	DISK RR BRAKE	43351-KEBE-900	2				
7	COVER.FR. BUMPER	64302-LBD4-910	1	N1R			
8	MUDGUARD ASSY.R	8012A-LBD4-910	1				
9	MUDGUARD ASSY.L	8012B-LBD4-910	1	N8A			
10	COVER L SIDE	11341-KHC4-900	6				
11	CALIPER ASSY RR	43100-LLB1-800	6	NJA			
12	PANEL COMP FR RH	45100-LBD4-900	2				
13	PANEL COMP FR LH	46100-LBD4-900	2				
14	HUB ASSY REAR	42610-LBD4-800	3	NJS			
15	RIM COMP RR WHEEL	42705-LBD4-900	6				
16	HUB ASSY FR	4460A-LBD4-900	2	R8S			
17	RIM COMP WHEEL	44705-LBD4-900	4				
18	CUSH ASSY FR	51400-LBD4-900	2				
19	CUSH ASSY RR	52400-LBD4-900	3	T01			
20	SEAT ASSY	77200-PWA3-900	4				
21	STRIPE B R FR FENDER	86543-LBD4-E60	1				
22	STRIPE B L FR FENDER	86553-LBD4-E60	1				
23	LABEL TIRE	87505-LBD3-E00	3				
24	CAUTION LIST	87515-LBA7-E00	1				
25	CAUTION DRIVE AGE	87517-LBD4-E00	2				
DATE OF STARTING-SALES							
DATE OF END-SALES							

NO	MODEL			COLOR CHART OF LB20AB(CL)			
	PHOTO NO			NO. 1	NO. 2	NO. 3	NO. 4
	BASIC COLOR			Blue	Red	Green	White
	CODE			Blue	Red	Green	White
	PARTS NAME	PARTS NO.	VERSION	PB089SA	RR338SA	GG146SA	NH195SA
26	MARK DRIVE CAUTION	87560-LBA7-E00	1	T01			
27	STRIPE K-LOGO 25MM	86102-LBD4-900	1	T01		T02	
28	STRIPE R FR FENDER	86523-LBD3-M30	2	T05	T01	T04	T03
29	STRIPE L FR	86533-LBD3-M30	2				
DATE OF STARTING-SALES							
DATE OF END-SALES							

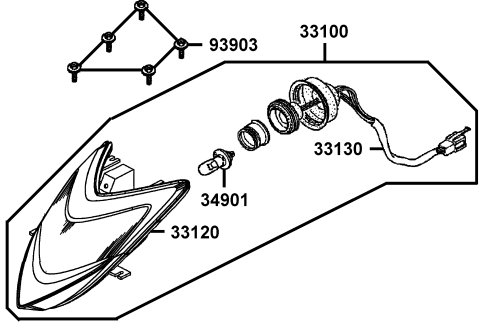
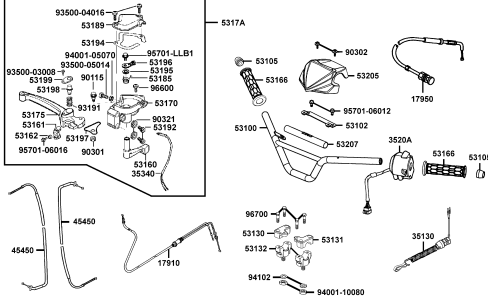
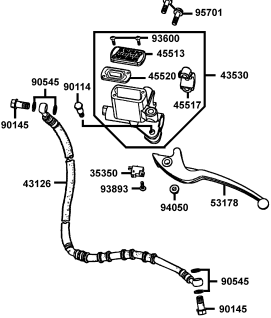
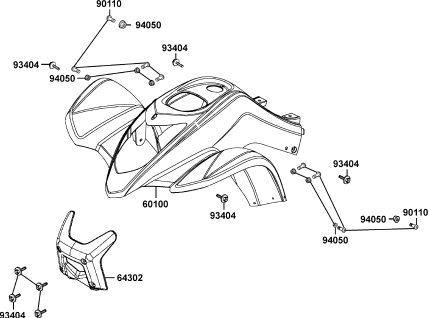
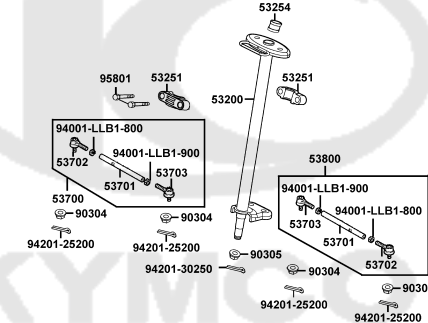
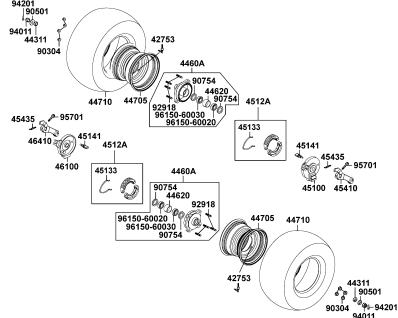
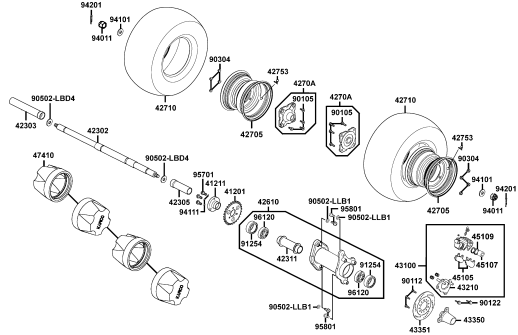
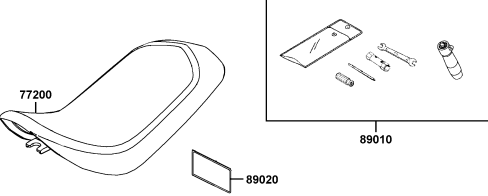
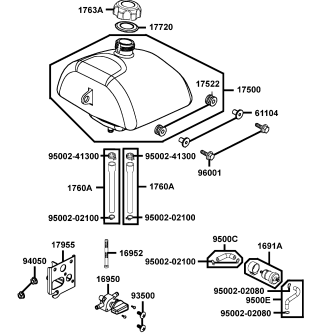
NO	MODEL			COLOR CHART OF LB20AB(CL)			
	PHOTO NO			NO. 5			
	BASIC COLOR			Yellow			
	CODE			Yellow			
	PARTS NAME	PARTS NO.	VERSION	YR110SA			
26	MARK DRIVE CAUTION	87560-LBA7-E00	1	T01			
27	STRIPE K-LOGO 25MM	86102-LBD4-900	1	T02			
28	STRIPE R FR FENDER	86523-LBD3-M30	2				
29	STRIPE L FR	86533-LBD3-M30	2				
DATE OF STARTING-SALES							
DATE OF END-SALES							

# CONTENTS - ENGINE GROUP

<b>E01</b> Crank Case	<b>E02</b> Cylinder Head Cover    Cylinder	<b>E03</b> Cylinder    Piston    Crankshaft
<b>E04</b> Right Crankcase Cover	<b>E05</b> Driven Pulley	<b>E06</b> Starting Motor    Oil Pump
<b>E07</b> Fan Cover    Generator	<b>E08</b> Transmission	<b>E09</b> Carburetor













# CONTENTS - FRAME GROUP

<b>F01</b> Head Light 	<b>F02</b> Handle SteeringHandle Cover 	<b>F03</b> Brake Master Cylinder 
<b>F04</b> Fender Front 	<b>F05</b> Stem Steering 	<b>F06</b> Front Wheel 
<b>F07</b> Rear Wheel 	<b>F08</b> Seat 	<b>F09</b> Fuel Tank 

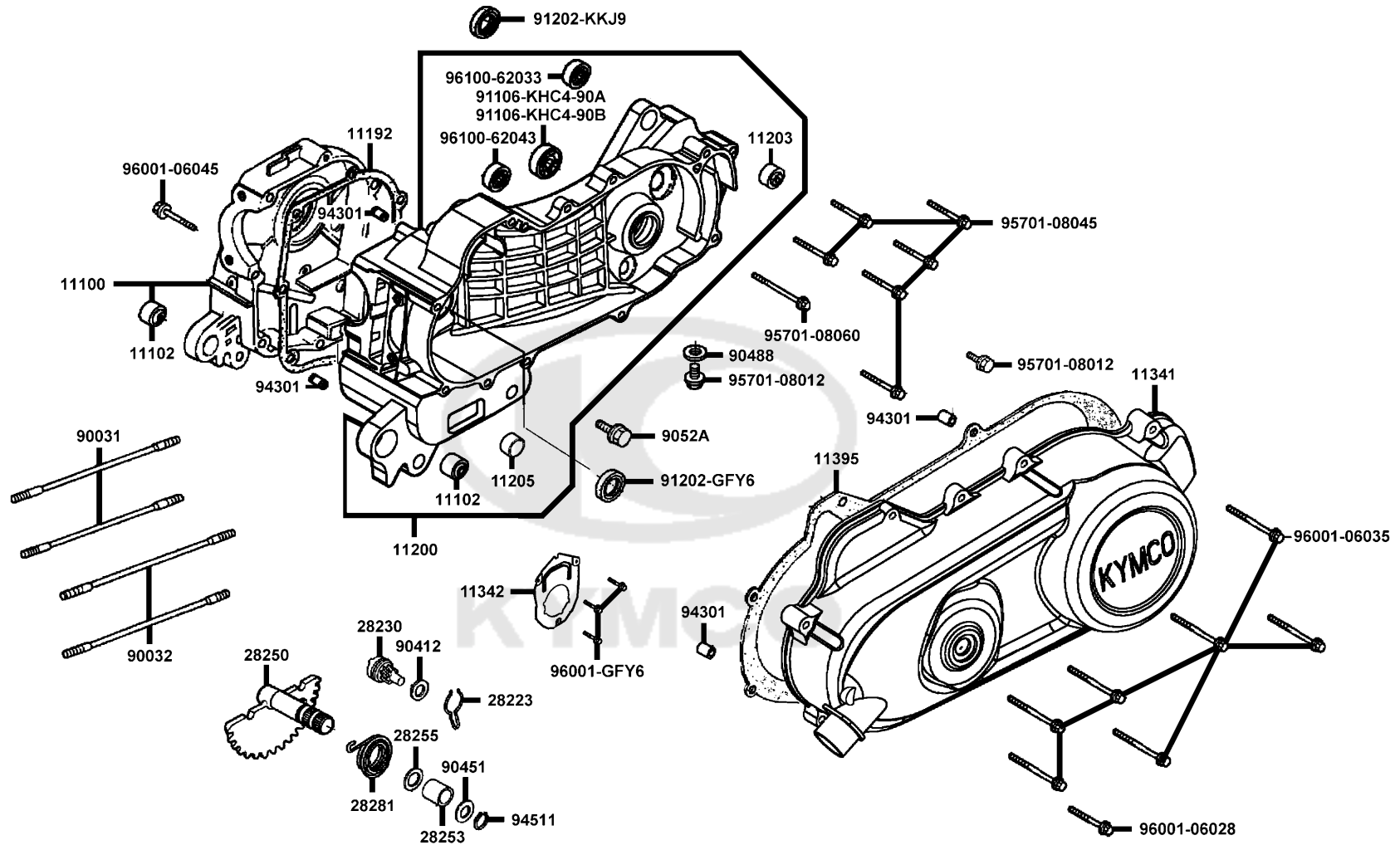


# CONTENTS - FRAME GROUP

F19 Caution Label	F20 Emblem Stripe	
<div style="display: flex; justify-content: space-around;"> <div style="text-align: center;">  <p>87505</p> </div> <div style="text-align: center;">  <p>87517</p> </div> </div> <div style="display: flex; justify-content: space-around; margin-top: 20px;"> <div style="text-align: center;">  <p>87560</p> </div> <div style="text-align: center;">  <p>87515</p> </div> </div>	<div style="display: flex; justify-content: space-around; align-items: center;"> <div style="text-align: center;">  <p>86102</p> </div> <div style="text-align: center;">  <p>86543</p> </div> <div style="text-align: center;">  <p>86553</p> </div> </div> <div style="display: flex; justify-content: space-around; margin-top: 20px;"> <div style="text-align: center;">  <p>86533</p> </div> <div style="text-align: center;">  <p>86523</p> </div> </div>	
		

E01

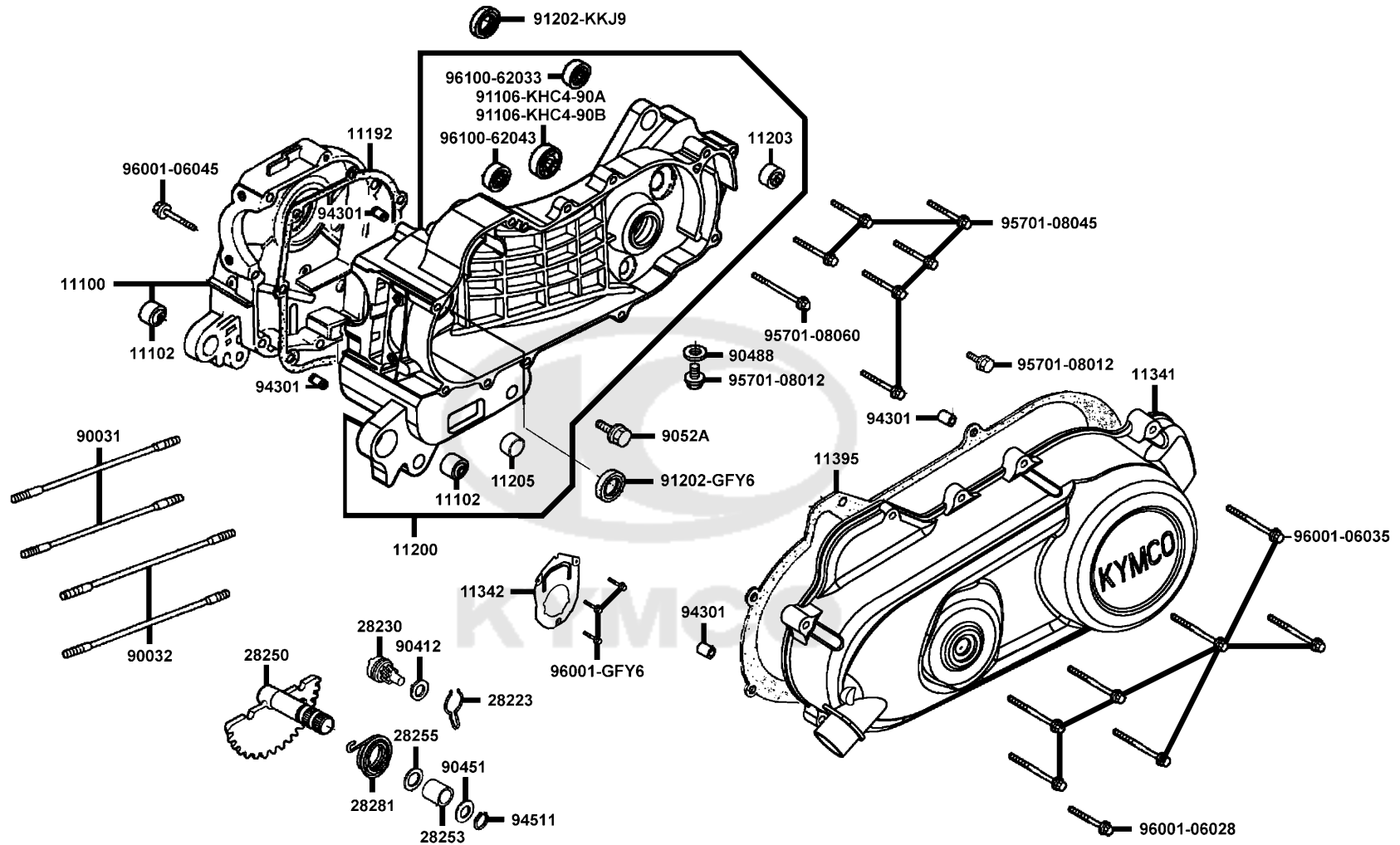
# Crank Case



Sales mark	Ref no	Part no	Description	Reg description	Regd no	E01
	11100	11100-LBD4-900	CRANK CASE COMP RIGHT	CRANK CASE COMP RIGHT	1	
	11102	11102-LBD3-900	RUB BUSH ENG HANGER	RUB BUSH ENG HANGER	2	
	11192	11192-LBD4-900	GASTER CRANK CASE @ A	GASTER CRANK CASE @ A	1	
	11200	11200-LBD4-305	CRANK CASE ASSY LEFT	CRANK CASE ASSY LEFT	1	
	11203	11203-LBD3-900	UNDER RUBBER BUSH RR CUSHIO	UNDER RUBBER BUSH RR CUSHIO	1	
	11205	11205-GHAH-004	BUSH 8*12*8	BUSH 8*12*8	1	
**	11341	11341-KHC4-900	COVER L SIDE	COVER L SIDE	1	
	11342	11342-LAB4-900	PLATE L COVER	PLATE L COVER	1	
	11395	11395-LBD4-900	GASKET L COVER @A	GASKET L COVER @A	1	
	28223	28223-KNBN-901	SPG KICK DRIVEN GEAR	SPG KICK DRIVEN GEAR	1	
	28230	28230-KNBN-901	GEAR COMP KICK DRIVEN	GEAR COMP KICK DRIVEN	1	
	28250	28250-KNBN-901	SPINDLE COMP KICK STARTER	SPINDLE COMP KICK STARTER	1	
	28253	28253-GBN2-60A	BUSH KICK SPINDLE	BUSH KICK SPINDLE	1	
	28255	28255-GFS6-001	COLLAR KICK BOSS	COLLAR KICK BOSS	1	
	28281	28281-GBN2-60A	SPRING KICK RETURN	SPRING KICK RETURN	1	
	90031	90031-KHC4-900	BOLT A STUD 7*168	BOLT A STUD 7*168	2	
	90032	90032-KHC4-900	BOLT B STUD 8*190.5	BOLT B STUD 8*190.5	2	
	90412	90412-3K29-001	WASHER THRUST 10M/M	WASHER THRUST 10M/M	1	
	90451	90451-GBN2-601	WASHER KICK SPINDLE	WASHER KICK SPINDLE	1	
	90488	90488-7L00-001	WASHER 8MM	WASHER 8MM	1	

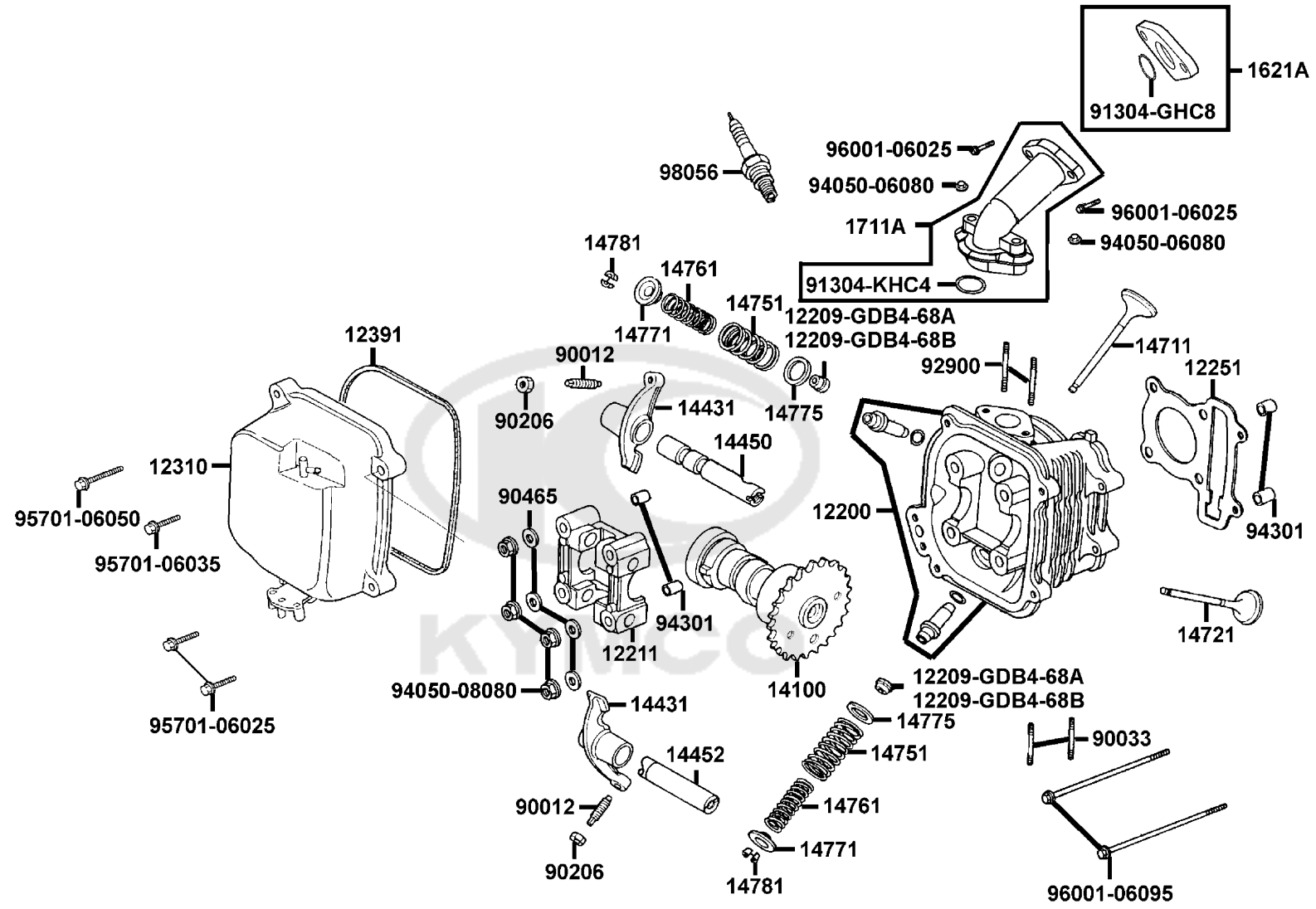
E01

# Crank Case



Sales mark	Ref no	Part no	Description	Reg description	Regd no	<b>E01</b>
	9052A	9052A-GFY6-950	BOLT ASSY DRAIN PLUG	BOLT ASSY DRAIN PLUG	1	
	91106-KHC4-90A	91106-KHC4-90A	BRG NEEDLE 15MM	BRG NEEDLE 15MM	1	
	91106-KHC4-90B	91106-KHC4-90B	BRG NEEDLE 15MM	BRG NEEDLE 15MM	1	
	91202-GFY6	91202-GFY6-90B	OIL SEAL 19.8*30*5	OIL SEAL 19.8*30*5	1	
	91202-KKJ9	91202-KKJ9-004	OIL SEAL 20*32*6	OIL SEAL 20*32*6	1	
	94301	94301-08140	DOWEL PIN 8*14	DOWEL PIN 8*14	4	
	94511	94511-14000	CIR CLIP EX 14	CIR CLIP EX 14	1	
#	95701-08012	95701-08012-06	BOLT FLANGE 8*12	BOLT FLANGE 8*12	1	
#	95701-08045	95701-08045-06	BOLT FLANGE 6*45	BOLT FLANGE 6*45	1	
#	95701-08060	95701-08060-06	BOLT FLANGE 8*60 (G)	BOLT FLANGE 8*60 (G)	1	
#	96001-06028	96001-06028-06	BOLT FLANGE SH 6*28	BOLT FLANGE SH 6*28	1	
#	96001-06035	96001-06035-06	BOLT FLANGE SH 6*35	BOLT FLANGE SH 6*35	1	
#	96001-06045	96001-06045-06	BOLT FLANGE 6*45 **07 C.2005.07.01	BOLT FLANGE 6*45 **07 C.2005.07.01	1	
	96001-GFY6	96001-GFY6-900	BOLT SPECIAL 5*10	BOLT SPECIAL 5*10	3	
	96100-62033	96100-62033-00	BEARING BALL RADIAL 6203	BEARING BALL RADIAL 6203	1	
	96100-62043	96100-62043-00	BEARING BALL RADIAL 6204	BEARING BALL RADIAL 6204	1	

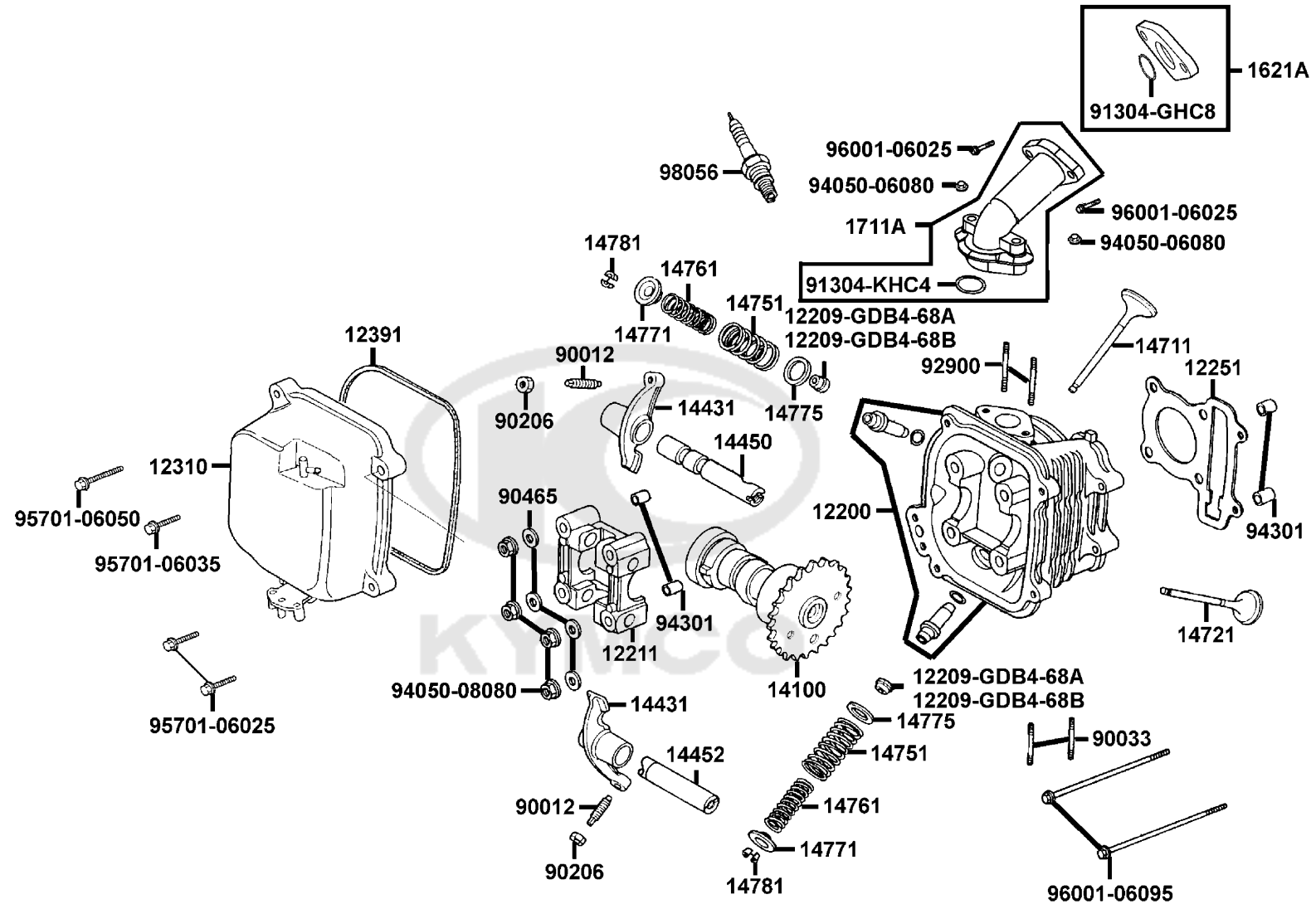
# Cylinder Head Cover Cylinder Head





Sales mark	Ref no	Part no	Description	Reg description	Regd no	E02
12200		12200-LBD4-900	HEAD COMP CYL N	HEAD COMP CYL N	1	
12209-GDB4-68B		12209-GDB4-68B	SEAL VALVE STEM	SEAL VALVE STEM	3	
12211		12211-KUDU-900	HOLDER CAM SHAFT	HOLDER CAM SHAFT	1	
12251		12251-LLF3-C00	GASKET CYLINDER HEAD	GASKET CYLINDER HEAD	1	
12310		12310-KHC4-B00	COVER COMP HEAD	COVER COMP HEAD	1	
12391		12391-GFY6-941	GASKET HEAD COVER	GASKET HEAD COVER	1	
14100		14100-KHC4-220	SHAFT COMP CAM	SHAFT COMP CAM	1	
14431		14431-GFY6-901	ARM VALVE ROCKER	ARM VALVE ROCKER	2	
14450		14450-GFY6-901	SHAFT COMP IN ROCKER ARM	SHAFT COMP IN ROCKER ARM	1	
14452		14452-GFY6-901	SHAFT EXH ROCKER ARM	SHAFT EXH ROCKER ARM	1	
14711		14711-KHC4-900	VALVE INLET	VALVE INLET	1	
14721		14721-KHC4-900	VALVE EXHAUST	VALVE EXHAUST	1	
14751		14751-KFBF-900	SPRING VALVE OUTER	SPRING VALVE OUTER	2	
14761		14761-KFBF-900	SPG VALVE INNER	SPG VALVE INNER	2	
14771		14771-GDB4-680	RETAINER VALVE SPRING	RETAINER VALVE SPRING	2	
14775		14775-MFA6-001	SEAT VALVE SPG OUTER	SEAT VALVE SPG OUTER	2	
14781		14781-MFA6-001	COTTER VALVE	COTTER VALVE	4	
1621A		1621A-LBD4-800	INSULATOR CARB ASSY	INSULATOR CARB ASSY	1	
1711A		1711A-LBD4-800	PIPE ASSY INLET	PIPE ASSY INLET	1	
90012		90012-3C33-001	SCREW TAPPET ADJUSTING	SCREW TAPPET ADJUSTING	2	

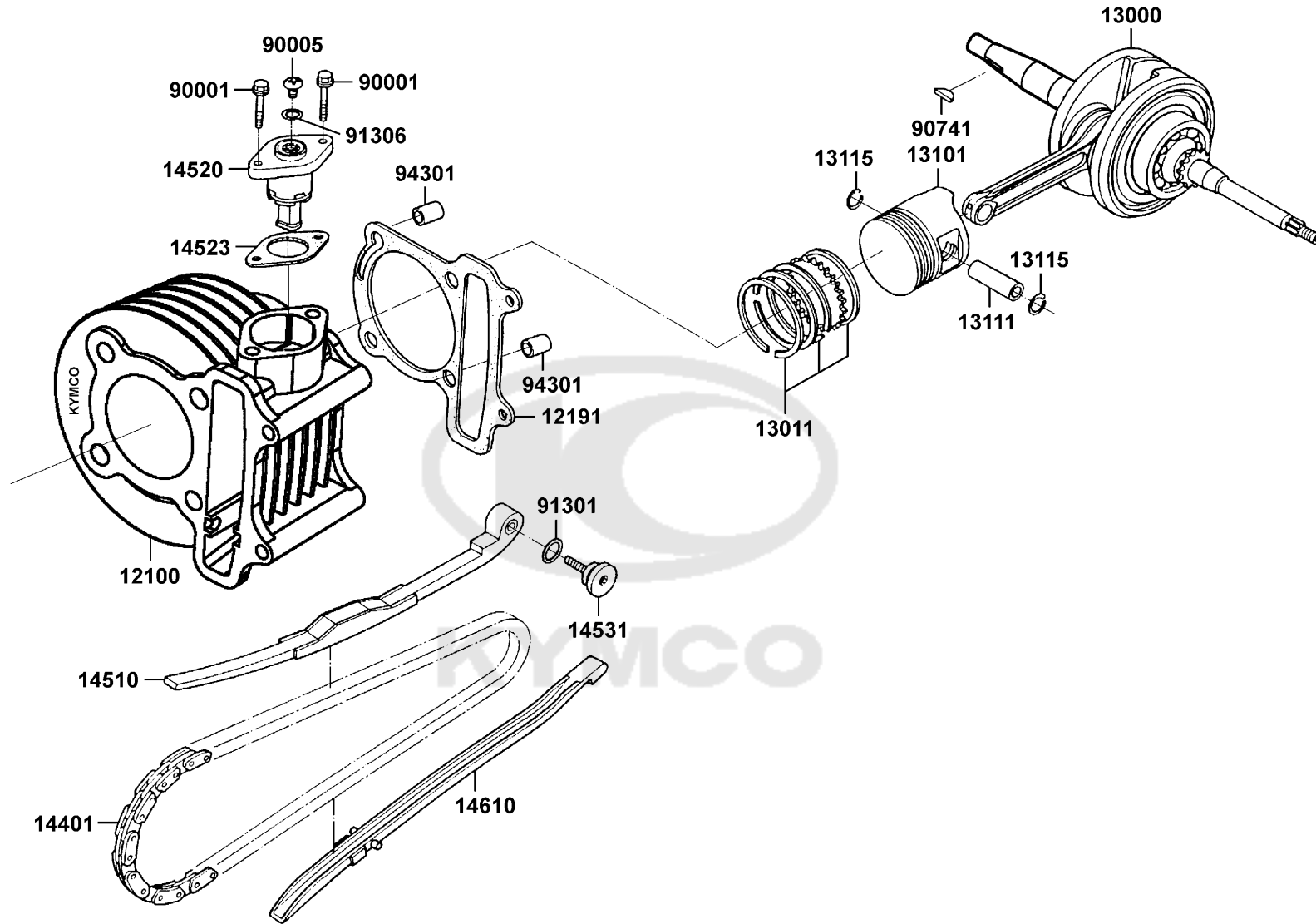
Cylinder Head Cover Cylinder Head



Sales mark	Ref no	Part no	Description	Reg description	Regd no	E02
	90033	90033-GFY6-900	BOLT STUD 8*32	BOLT STUD 8*32	2	
	90206	90206-0A01-001	NUT TAPPET ADJG	NUT TAPPET ADJG	2	
	90465	90465-MDC4-001	WASHER 8MM	WASHER 8MM	4	
	91304-GHC8	91304-GHC8-004	O RING 23*2.4	O RING 23*2.4	1	
	91304-KHC4	91304-KHC4-900	O- RING 22*2.0	O- RING 22*2.0	1	
	92900	92900-LBD4-0B	BOLT STUD 6*50	BOLT STUD 6*50	2	
	94050-06080	94050-06080	NUT FLANGE 6MM	NUT FLANGE 6MM	2	
	94050-08080	94050-08080	NUT FLANGE 8MM	NUT FLANGE 8MM	4	
	94301	94301-10160	DOWEL PIN 10*16	DOWEL PIN 10*16	4	
#	95701-06025	95701-06025-06	BOLT FLANGE 6*25	BOLT FLANGE 6*25	1	
#	95701-06035	95701-06035-06	BOLT FLANGE 6*35	BOLT FLANGE 6*35	1	
#	95701-06050	95701-06050-06	BOLT FLANGE 6*50	BOLT FLANGE 6*50	1	
#	96001-06025	96001-06025-06	BOLT FLANGE SH 6*25	BOLT FLANGE SH 6*25	1	
#	96001-06095	96001-06095-06	BOLT FLANGE SH 6*95 **07 C.2005.07.01	BOLT FLANGE SH 6*95 **07 C.2005.07.01	1	
	98056	98056-57713-00	SPARK PLUG (C7HSA)	SPARK PLUG (C7HSA)	1	

E03

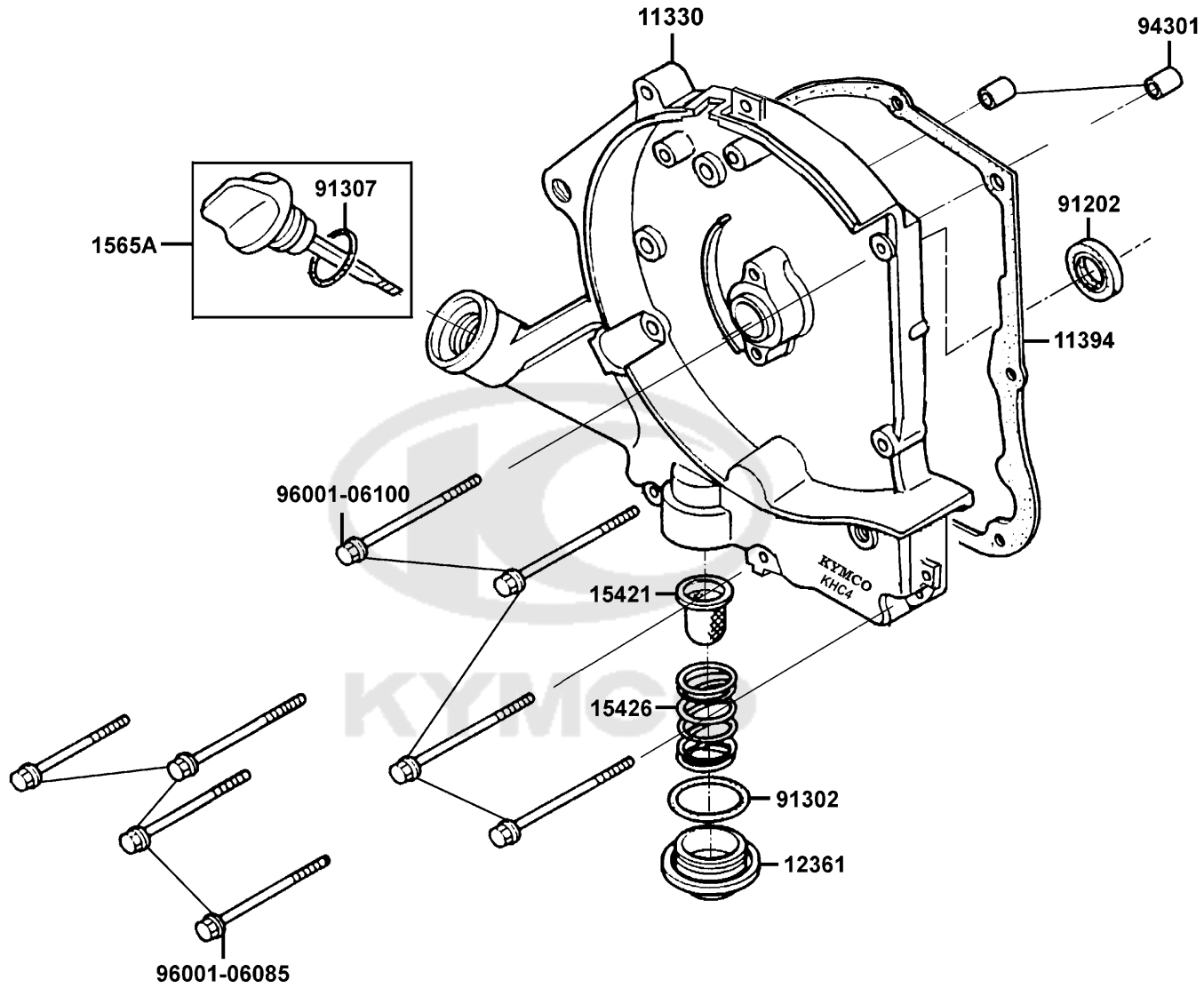
# Cylinder Piston Crankshaft



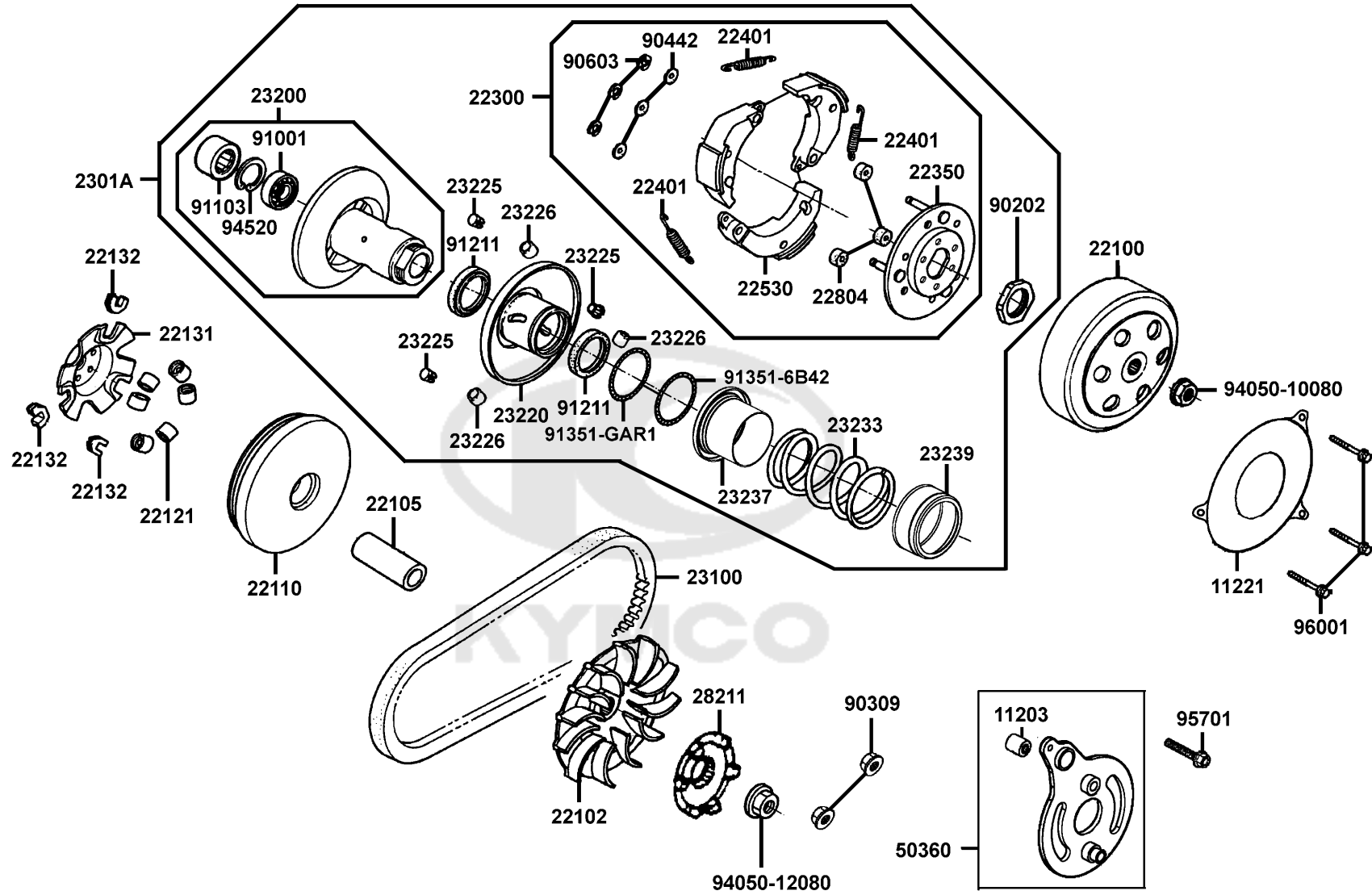
Sales mark	Ref no	Part no	Description	Reg description	Regd no	<b>E03</b>
	12100	12100-LBD4-900	CYLINDER COMP	CYLINDER COMP	1	
	12191	12191-LBD4-900	GASTET CYLINDER @ A	GASTET CYLINDER @ A	1	
	13000	13000-LBD4-900	CRANK SHAFT COMP	CRANK SHAFT COMP	1	
	13011	13011-KEE1-900	RING SET PISTON	RING SET PISTON	1	
	13101	13101-LBD4-900	PISTON	PISTON	1	
	13111	13111-KEE1-900	PIN PISTON	PIN PISTON	1	
	13115	13115-0A01-001	PISTON PIN CLIP	PISTON PIN CLIP	2	
	14401	14401-KHC4-900	CHAIN CAM	CHAIN CAM	1	
	14510	14510-KHC4-900	TENSIONER CAM CHAIN	TENSIONER CAM CHAIN	1	
	14520	14520-GFY6-90A	LIFTER ASSY TENSIONER	LIFTER ASSY TENSIONER	1	
	14523	14523-KED9-900	GASKET TENSIONER LIFTER @A	GASKET TENSIONER LIFTER @A	1	
	14531	14531-GLR0-001	PIVOT CAM CHAIN TENSIONER	PIVOT CAM CHAIN TENSIONER	1	
	14610	14610-KHC4-900	GUIDE COMP CAM CHAIN	GUIDE COMP CAM CHAIN	1	
#	90001	90001-GBHB-661	BOLT FLANGE SH 6*22	BOLT FLANGE SH 6*22	2	
	90005	90005-KAW1-901	SCREW PAN 6*6	SCREW PAN 6*6	1	
	90741	90741-0E35-001	KEY WOODRUFF	KEY WOODRUFF	1	
	91301	91301-GLR0-005	O-RING 15.2*1.5	O-RING 15.2*1.5	1	
	91306	91306-1E05-691	O-RING 1.5*9.5	O-RING 1.5*9.5	1	
	94301	94301-10160	DOWEL PIN 10*16	DOWEL PIN 10*16	2	

E04

# Right Crankcase Cover

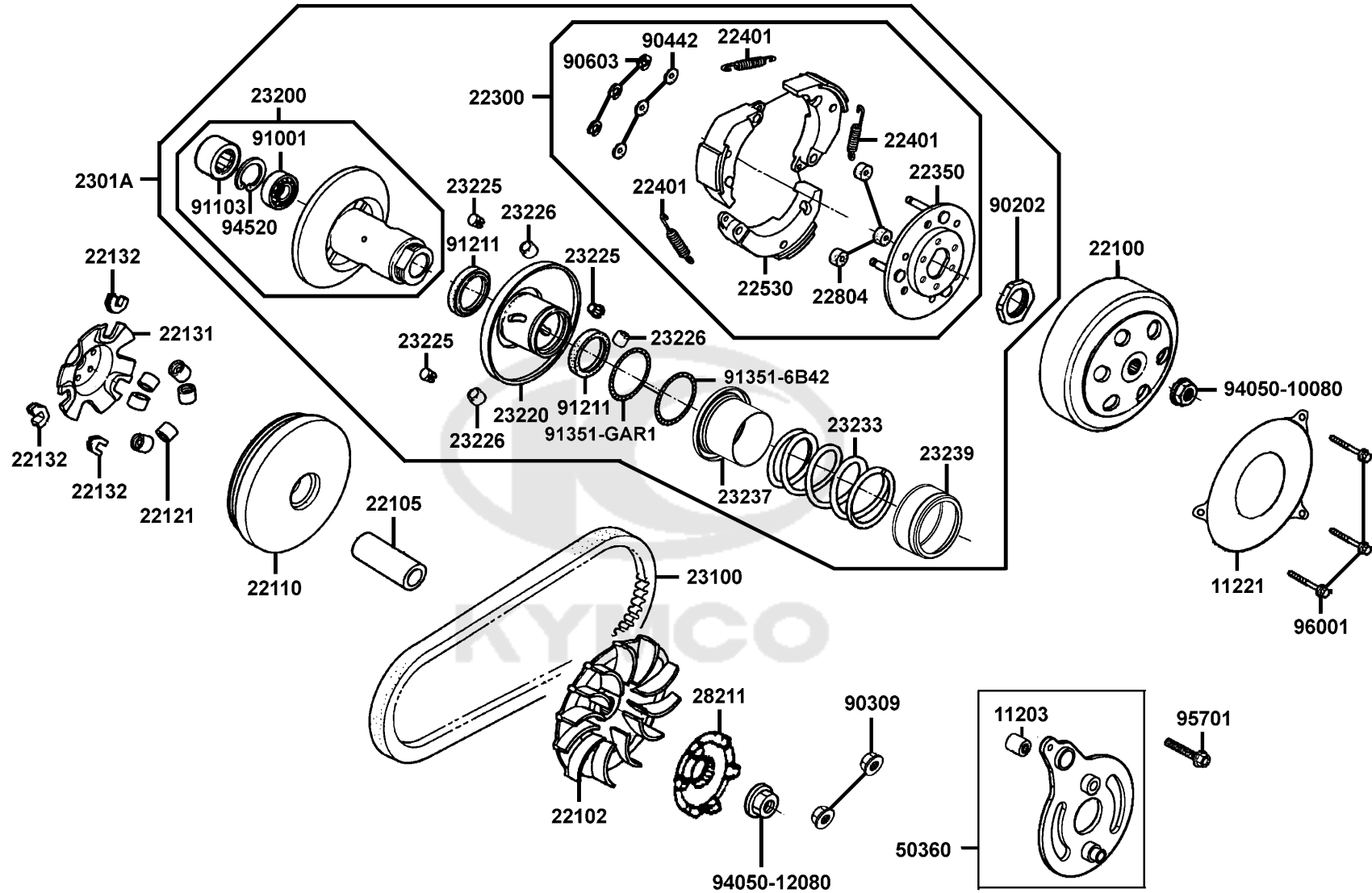


Sales mark	Ref no	Part no	Description	Reg description	Regd no	<b>E04</b>
	11330	11330-LAB4-900	COVER COMP R CRANK CASE	COVER COMP R CRANK CASE	1	
	11394	11394-LBD4-900	GASTER R COVER @ A	GASTER R COVER @ A	1	
	12361	12361-GFY6-901	HOLE CAP TAPPET ADJUSTING	HOLE CAP TAPPET ADJUSTING	1	
	15421	15421-1G07-001	SCREEN OIL FILTER	SCREEN OIL FILTER	1	
	15426	15426-GAE1-921	SPG OIL FILTER SCREEN	SPG OIL FILTER SCREEN	1	
	1565A	1565A-GFY6-900	GAUGE OIL LEVEL ASSY	GAUGE OIL LEVEL ASSY	1	
	91202	91202-GFY6-90B	OIL SEAL 19.8*30*5	OIL SEAL 19.8*30*5	1	
	91302	91302-0A01-021	O-RING 30.8M/M	O-RING 30.8M/M	1	
	91307	91307-0E35-001	O RING 18*3	O RING 18*3	1	
	94301	94301-08140	DOWEL PIN 8*14	DOWEL PIN 8*14	2	
	96001-06085	96001-06085-06	BOLT FLANGE 6*85	BOLT FLANGE 6*85	4	
#	96001-06100	96001-06100-06	BOLT FLANGE SH 6*100	BOLT FLANGE SH 6*100	1	





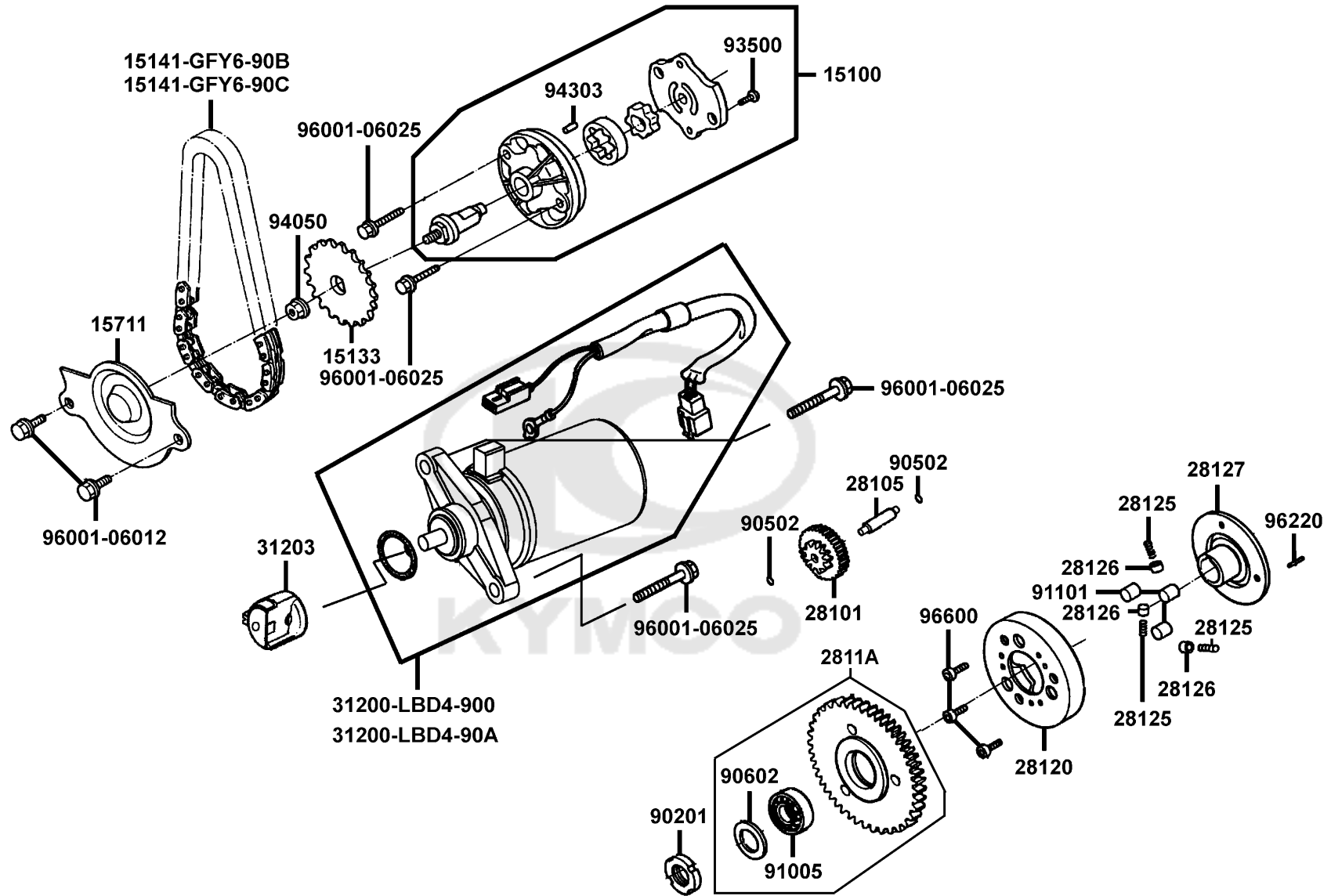
Sales mark	Ref no	Part no	Description	Reg description	Regd no	E05
	11203	11203-LBD3-900	UNDER RUBBER BUSH RR CUSHIO	UNDER RUBBER BUSH RR CUSHIO	1	
	11221	11221-KHC4-900	INSULATOR DUST	INSULATOR DUST	1	
	22100	22100-KNBN-902	OUTER COMP CLUTCH	OUTER COMP CLUTCH	1	
	22102	22102-KHC4-900	FACE DRIVE	FACE DRIVE	1	
	22105	22105-KHC4-900	BOSS DRIVE FACE	BOSS DRIVE FACE	1	
	22110	22110-KHC4-900	FACE COMP MOVABLE	FACE COMP MOVABLE	1	
	22121	22121-LBD4-900	ROLLER COMP WEIGHT 7.5 gr	ROLLER COMP WEIGHT 7.5 gr	6	
	22131	22131-GCW3-901	PLATE RAMP	PLATE RAMP	1	
	22132	22132-LAB4-900	PIECE SLIDE	PIECE SLIDE	3	
	22300	22300-LAB4-900	PLATE ASSY DRIVE	PLATE ASSY DRIVE	1	
	22350	22350-KHC4-900	PLATE COMP DRIVE	PLATE COMP DRIVE	1	
	22401	22401-LAB4-900	SPG CLUTCH	SPG CLUTCH	3	
	22530	22530-KHC4-900	WEIGHT SET CLUTCH	WEIGHT SET CLUTCH	3	
	22804	22804-1H48-001	RUBBER CLUTCH DAMPER	RUBBER CLUTCH DAMPER	3	
	2301A	2301A-LAB4-900	PULLEY SUB ASSY DRIVEN	PULLEY SUB ASSY DRIVEN	1	
	23100	23100-KHC4-900	BELT DRIVE	BELT DRIVE	1	
	23200	23200-GCW3-001	FACE ASSY DRIVEN	FACE ASSY DRIVEN	1	
	23220	23220-KHC4-900	FACE COMP MOVABLE DRIVEN	FACE COMP MOVABLE DRIVEN	1	
	23225	23225-GCW3-001	PIN GUIDE	PIN GUIDE	3	
	23226	23226-GCW3-001	ROLLER GUIDE	ROLLER GUIDE	3	



Sales mark	Ref no	Part no	Description	Reg description	Regd no	<b>E05</b>
	23233	23233-LAB4-900	SPG DRIVEN FACE	SPG DRIVEN FACE	1	
	23237	23237-GCW3-001	COLLAR SEAL	COLLAR SEAL	1	
	23239	23239-GCW3-851	GUIDE SPG	GUIDE SPG	1	
	28211	28211-KNBN-901	RATCHET KICK STARTER	RATCHET KICK STARTER	1	
	50360	50360-LBD4-E00	BRAKET ENG HANGER	BRAKET ENG HANGER	1	
	90202	90202-1G87-001	NUT SPECIAL 28MM	NUT SPECIAL 28MM	1	
	90309	90309-4H28-73A	NUT FLANGE 8MM	NUT FLANGE 8MM	2	
	90442	90442-0D44-001	WASHER THRUST 6M	WASHER THRUST 6M	3	
	90603	90603-0D44-001	CIR CLIP 6MM	CIR CLIP 6MM	3	
	91001	91001-GGA7-70A	BRG RADIAL BALL 6901U	BRG RADIAL BALL 6901U	1	
	91103	91103-GAR1-004	BRG NEEDLE 17*25*18 WS	BRG NEEDLE 17*25*18 WS	1	
	91211	91211-GHK8-014	OIL SEAL 34*39*3	OIL SEAL 34*39*3	2	
	91351-6B42	91351-6B42-000	O-RING PINION CAP	O-RING PINION CAP	1	
	91351-GAR1	91351-GAR1-001	O-RING 38.5*2	O-RING 38.5*2	1	
	94050-10080	94050-10080	NUT FLANGE 10MM	NUT FLANGE 10MM	1	
	94050-12080	94050-12080	NUT C FLANGE 12MM	NUT C FLANGE 12MM	1	
	94520	94520-24000	CIR CLIP IN 24	CIR CLIP IN 24	1	
	95701	95701-08050-06	BOLT FLANGE 8*50	BOLT FLANGE 8*50	1	
#	96001	96001-06012-06	BOLT FLANGE SH 6*12	BOLT FLANGE SH 6*12	1	

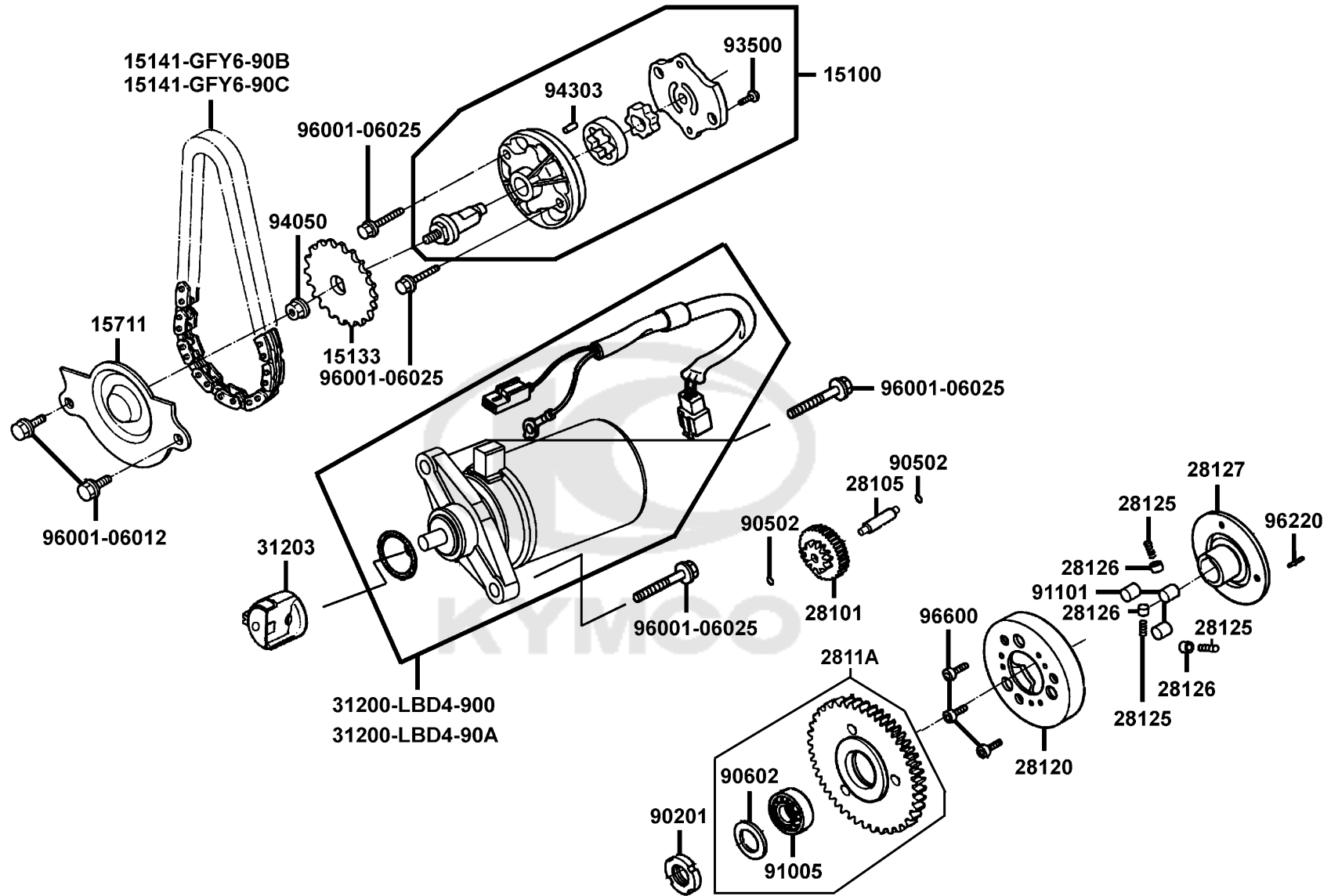
E06

# Starting Motor Oil Pump



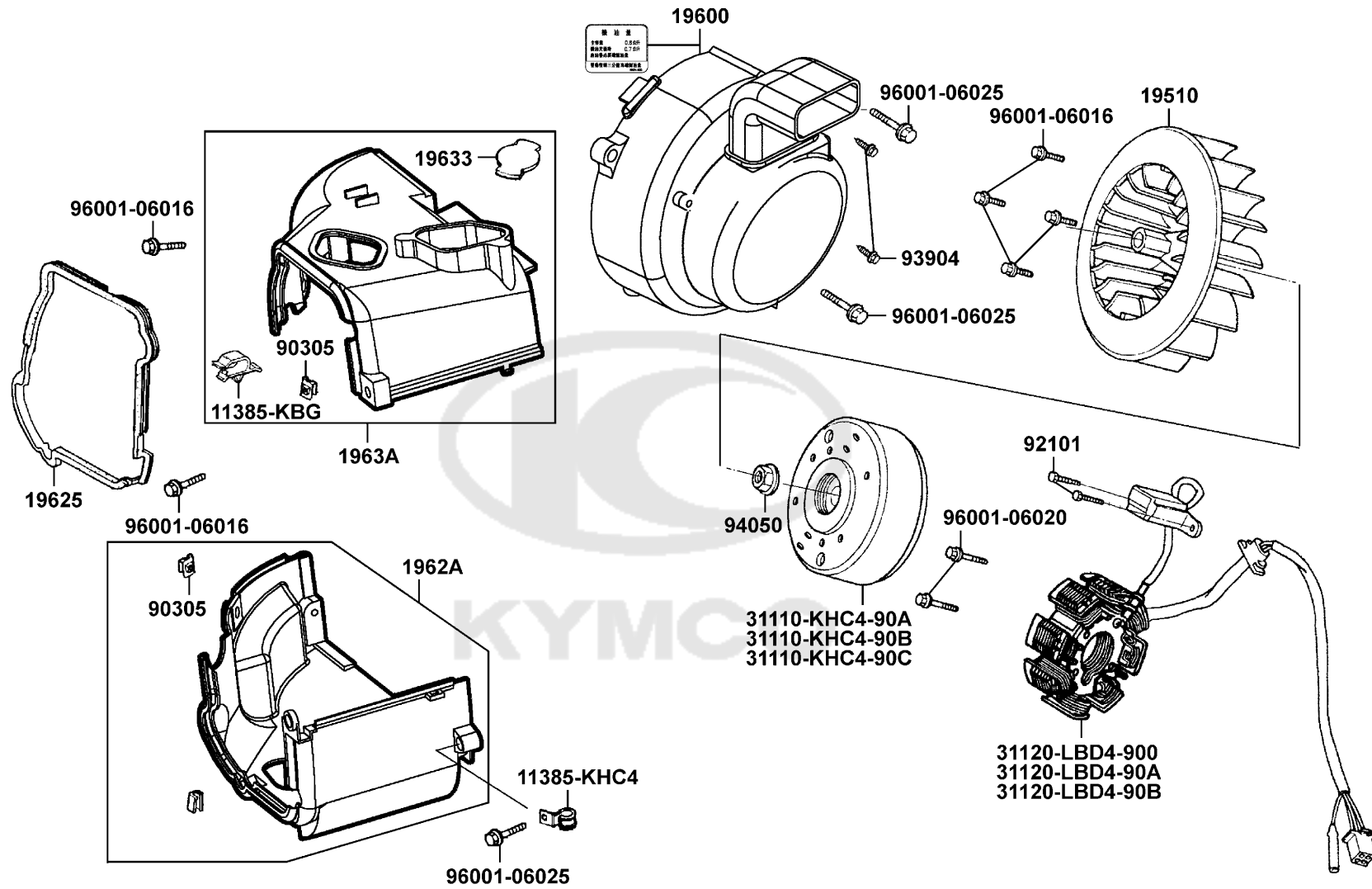
Sales mark	Ref no	Part no	Description	Reg description	Regd no	E06
	15100	15100-GFY6-901	PUMP ASSY OIL	PUMP ASSY OIL	1	
	15133	15133-GFY6-901	SPRKT OIL PUMP DRIVEN	SPRKT OIL PUMP DRIVEN	1	
	15141-GFY6-90B	15141-GFY6-90B	CHAIN OIL PUMP	CHAIN OIL PUMP	1	
	15141-GFY6-90C	15141-GFY6-90C	CHAIN OIL PUMP	CHAIN OIL PUMP	1	
	15711	15711-GFY6-901	SEPARATER OIL	SEPARATER OIL	1	
	28101	28101-KNBN-901	GEAR COMP STARTER REDUCTION	GEAR COMP STARTER REDUCTION	1	
	28105	28105-KNBN-901	SHAFT START REDUCTION	SHAFT START REDUCTION	1	
#	2811A	2811A-KNBN-940	GEAR ASSY STARTER	GEAR ASSY STARTER	1	
	28120	28120-KNBN-901	OUTER COMP ST CLUCH	OUTER COMP ST CLUCH	1	
	28125	28125-3C23-001	SPRING ROLLER ST CLUTCH	SPRING ROLLER ST CLUTCH	3	
	28126	28126-KNBN-901	CAP SPGING ROLLER SP	CAP SPGING ROLLER SP	3	
	28127	28127-KNBN-901	BOSS STARTER CLUTCH	BOSS STARTER CLUTCH	1	
	31200-LBD4-900	31200-LBD4-900	MOTOR ASSY START	MOTOR ASSY START	1	
	31200-LBD4-90A	31200-LBD4-90A	MOTOR ASSY START	MOTOR ASSY START	1	
	31203	31203-KHC4-900	HOLDER COMP STARTER REDUCTION	HOLDER COMP STARTER REDUCTION	1	
	90201	90201-KNBN-901	NUT SPECIAL 24MM	NUT SPECIAL 24MM	1	
	90502	90502-MBS2-001	WASHER 24*8.5	WASHER 24*8.5	2	
	90602	90602-PDX4-001	CIR CLIP B IN 47	CIR CLIP B IN 47	1	
	91005	91005-KNBN-901	BRG RADIAL 6005-2NKG	BRG RADIAL 6005-2NKG	1	
	91101	91101-KNBN-901	ROLLER 10.2*11.5	ROLLER 10.2*11.5	3	

Starting Motor Oil Pump



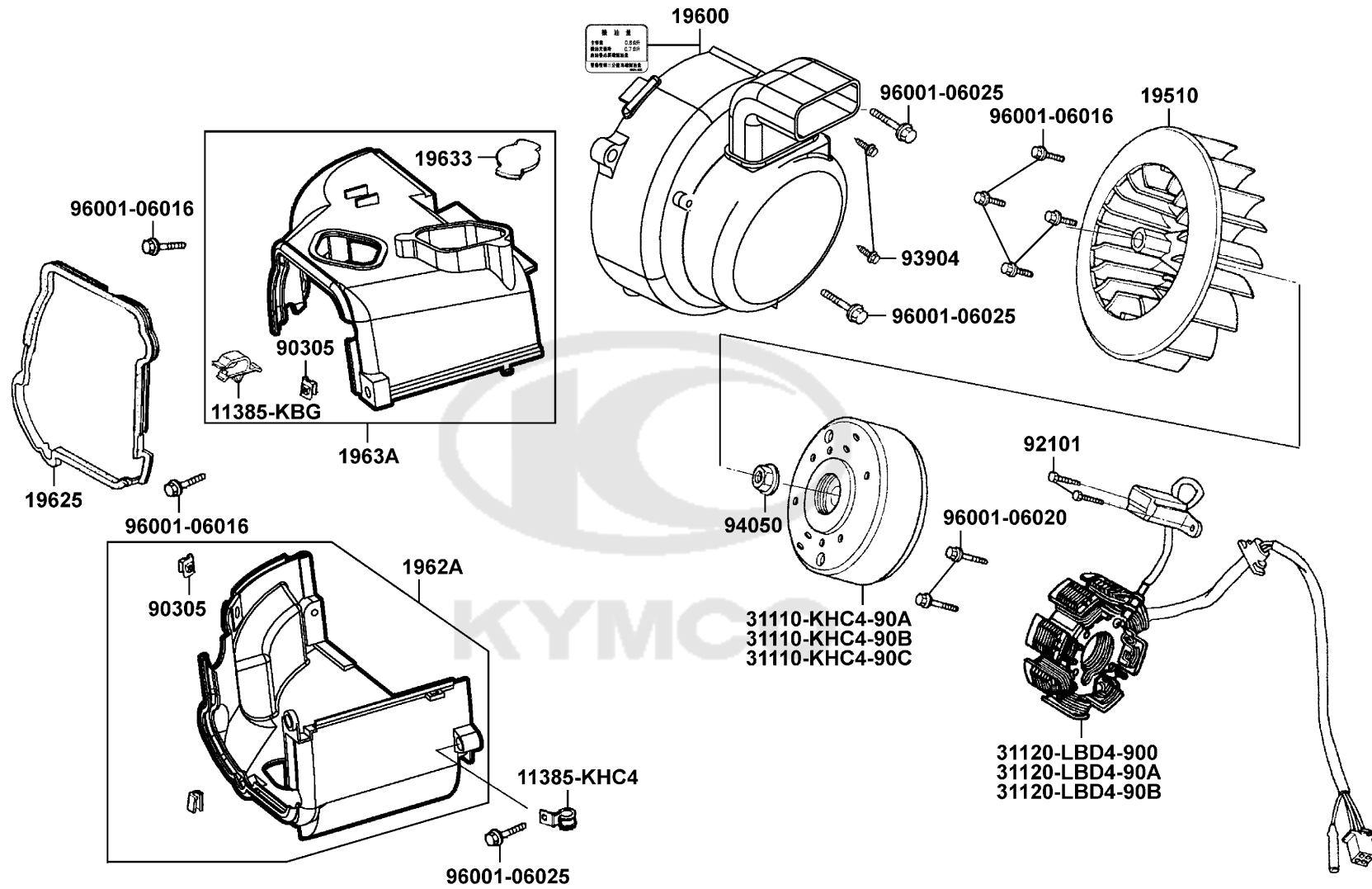
Sales mark	Ref no	Part no	Description	Reg description	Regd no	<b>E06</b>
#	93500	93500-03010-0F	SCREW PAN 3X10 (G)	SCREW PAN 3X10 (G)	1	
	94050	94050-06080	NUT FLANGE 6MM	NUT FLANGE 6MM	1	
	94303	94303-04065	DOWEL PIN 4*6.5	DOWEL PIN 4*6.5	1	
#	96001-06012	96001-06012-06	BOLT FLANGE SH 6*12	BOLT FLANGE SH 6*12	1	
#	96001-06025	96001-06025-06	BOLT FLANGE SH 6*25	BOLT FLANGE SH 6*25	1	
	96220	96220-60100	ROLLER 6*10	ROLLER 6*10	1	
	96600	96600-06012-10	SOCKET BOLT 6*12	SOCKET BOLT 6*12	3	







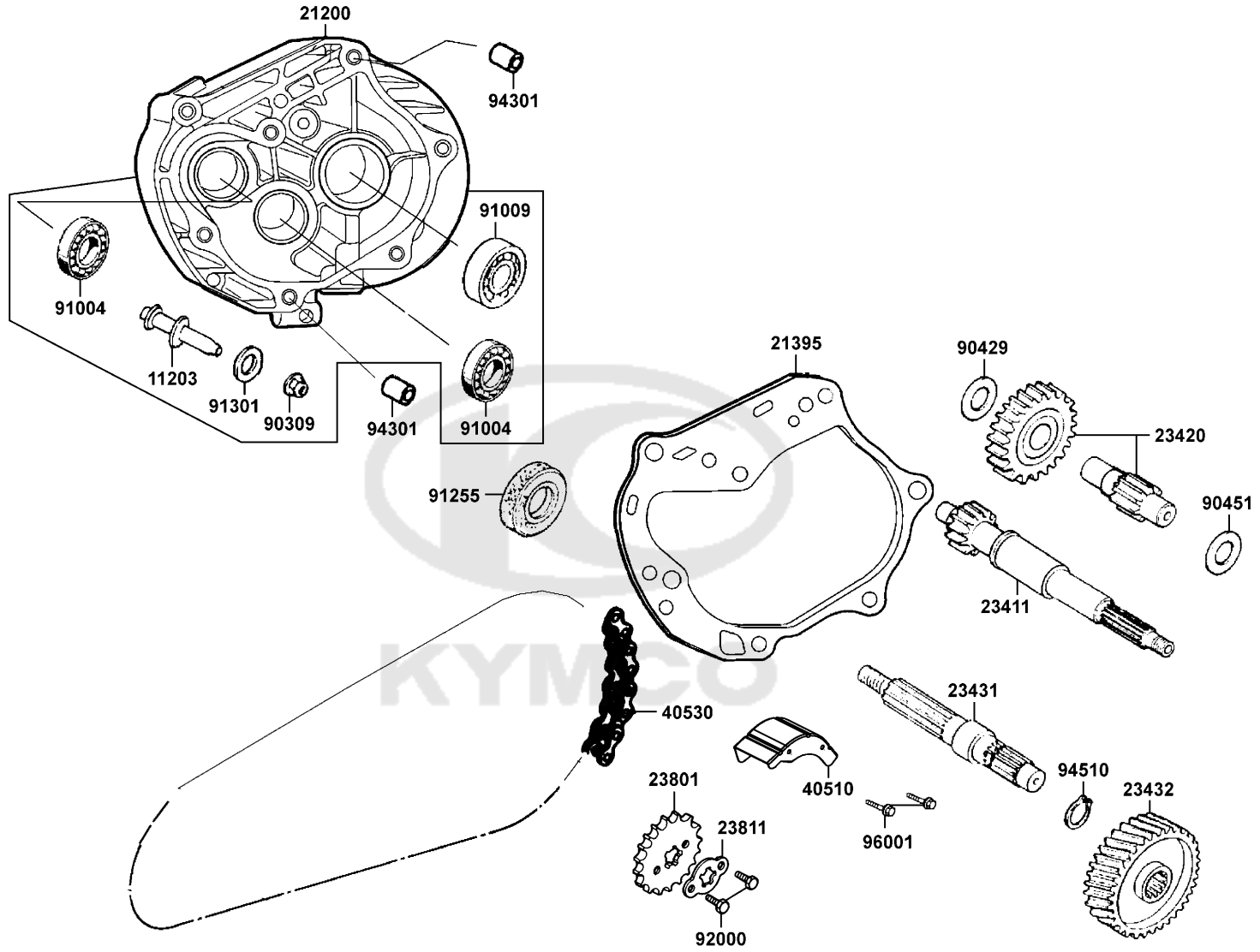
Sales mark	Ref no	Part no	Description	Reg description	Regd no	E07
	11385-KGBG	11385-KGBG-900	CLIP VACUUM TUBE	CLIP VACUUM TUBE	1	
	11385-KHC4	11385-KHC4-900	CLAMPER CARB DRAIN TUBE	CLAMPER CARB DRAIN TUBE	1	
	19510	19510-GBW2-901	FAN COMP COOLING	FAN COMP COOLING	1	
	19600	19600-LBD4-900	COVER ASSY FAN	COVER ASSY FAN	1	
	19625	19625-KHC4-900	SEAL SHROUD	SEAL SHROUD	1	
	1962A	1962A-KHC4-900	SHROUD ASSY A	SHROUD ASSY A	1	
	19633	19633-GFY6-901	GROMET SHROUD B	GROMET SHROUD B	1	
	1963A	1963A-KHC4-900	SHROUD ASSY B	SHROUD ASSY B	1	
	31110-KHC4-90A	31110-KHC4-90A	FLYWHEEL COMP /D402	FLYWHEEL COMP /D402	1	
	31110-KHC4-90B	31110-KHC4-90B	FLYWHEEL COMP /D406	FLYWHEEL COMP /D406	1	
	31110-KHC4-90C	31110-KHC4-90C	FLYWHEEL COMP /D414	FLYWHEEL COMP /D414	1	
	31120-LBD4-900	31120-LBD4-900	STATOR COMP /D402	STATOR COMP /D402	1	
	31120-LBD4-90A	31120-LBD4-90A	STATOR COMP /D406	STATOR COMP /D406	1	
	31120-LBD4-90B	31120-LBD4-90B	STATOR COMP /D414	STATOR COMP /D414	1	
	90305	90305-GHK8-001	NUT CLIP 6MM	NUT CLIP 6MM	2	
#	92101	92101-05012-0G	BOLT HEX 5*12 (G)	BOLT HEX 5*12 (G)	1	
	93904	93904-35360	SCREW TAPPING 5*12	SCREW TAPPING 5*12	2	
	94050	94050-10080	NUT FLANGE 10MM	NUT FLANGE 10MM	1	
#	96001-06016	96001-06016-06	BOLT FLANGE SH 6*16	BOLT FLANGE SH 6*16	1	
#	96001-06020	96001-06020-06	BOLT FLANGE SH 6*20	BOLT FLANGE SH 6*20	1	



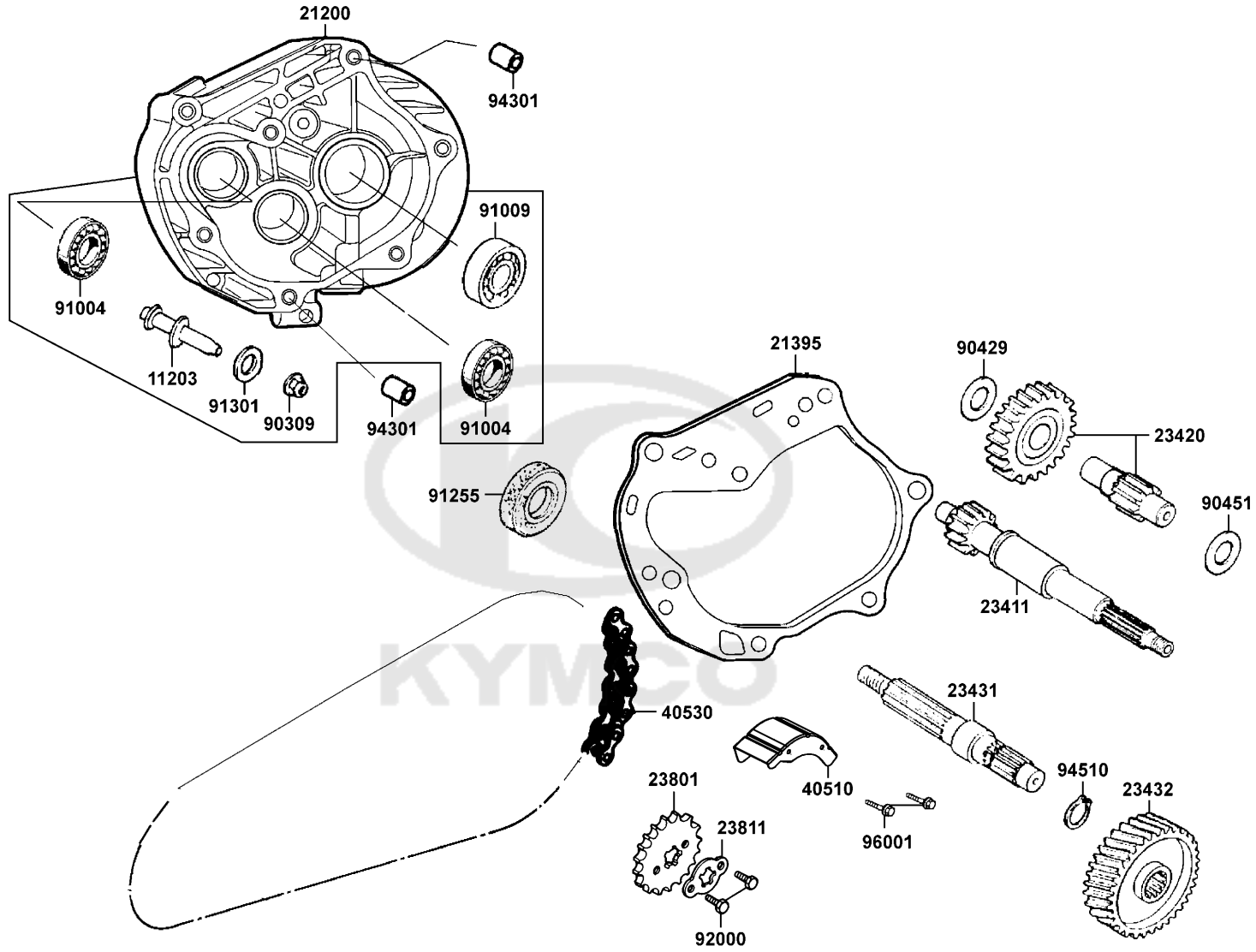
Sales mark	Ref no	Part no	Description	Reg description	Regd no	<b>E07</b>
------------	--------	---------	-------------	-----------------	---------	------------

#	96001-06025	96001-06025-06	BOLT FLANGE SH 6*25	BOLT FLANGE SH 6*25	1	
---	-------------	----------------	---------------------	---------------------	---	--





Sales mark	Ref no	Part no	Description	Reg description	Regd no	<b>E08</b>
	11203	11203-LBD4-E00	BOLT ENG HANGER BRAKET	BOLT ENG HANGER BRAKET	1	
	21200	21200-LBD4-305	CASE SET MISSION	CASE SET MISSION	1	
	21395	21395-LBD3-900	GASKET MISSION CASE @A	GASKET MISSION CASE @A	1	
	23411	23411-KHC4-900	SHAFT DRIVE	SHAFT DRIVE	1	
	23420	23420-LAB4-900	SHAFT COMP COUNTER	SHAFT COMP COUNTER	1	
	23431	23431-LBD4-900	SHAFT FINAL	SHAFT FINAL	1	
	23432	23432-LAB4-900	GEAR FINAL	GEAR FINAL	1	
	23801	23801-KYCY-900	SPROCKET DRIVE	SPROCKET DRIVE	1	
	23811	23811-KCR3-601	PLATE A2 FIXING	PLATE A2 FIXING	1	
	40510	40510-LBD4-800	COVER COMP CHAIN	COVER COMP CHAIN	1	
	40530	40530-LBD4-900	CHAIN DRIVE	CHAIN DRIVE	1	
#	90309	90309-KLF0-004	NUT FLANGE 8MM	NUT FLANGE 8MM	1	
	90429	90429-KNBN-901	WASHER SIDE 12MM	WASHER SIDE 12MM	1	
	90451	90451-1G07-001	WASHER THRUST 15MM	WASHER THRUST 15MM	1	
	91004	91004-KBN2-90A	BRG BALL RADIAL 6201	BRG BALL RADIAL 6201	2	
	91009	91009-GLE0-004	BRG BALL RADIAL 6004 UU	BRG BALL RADIAL 6004 UU	1	
	91255	91255-GLE0-006	OIL SEAL 27*42*7	OIL SEAL 27*42*7	1	
	91301	91301-OC53-001	O RING 7.5*1.5	O RING 7.5*1.5	1	
#	92000	92000-06010-0G	BOLT HEX 6*10 (G)	BOLT HEX 6*10 (G)	1	
	94301	94301-10200	DOWEL PIN 10*20	DOWEL PIN 10*20	2	



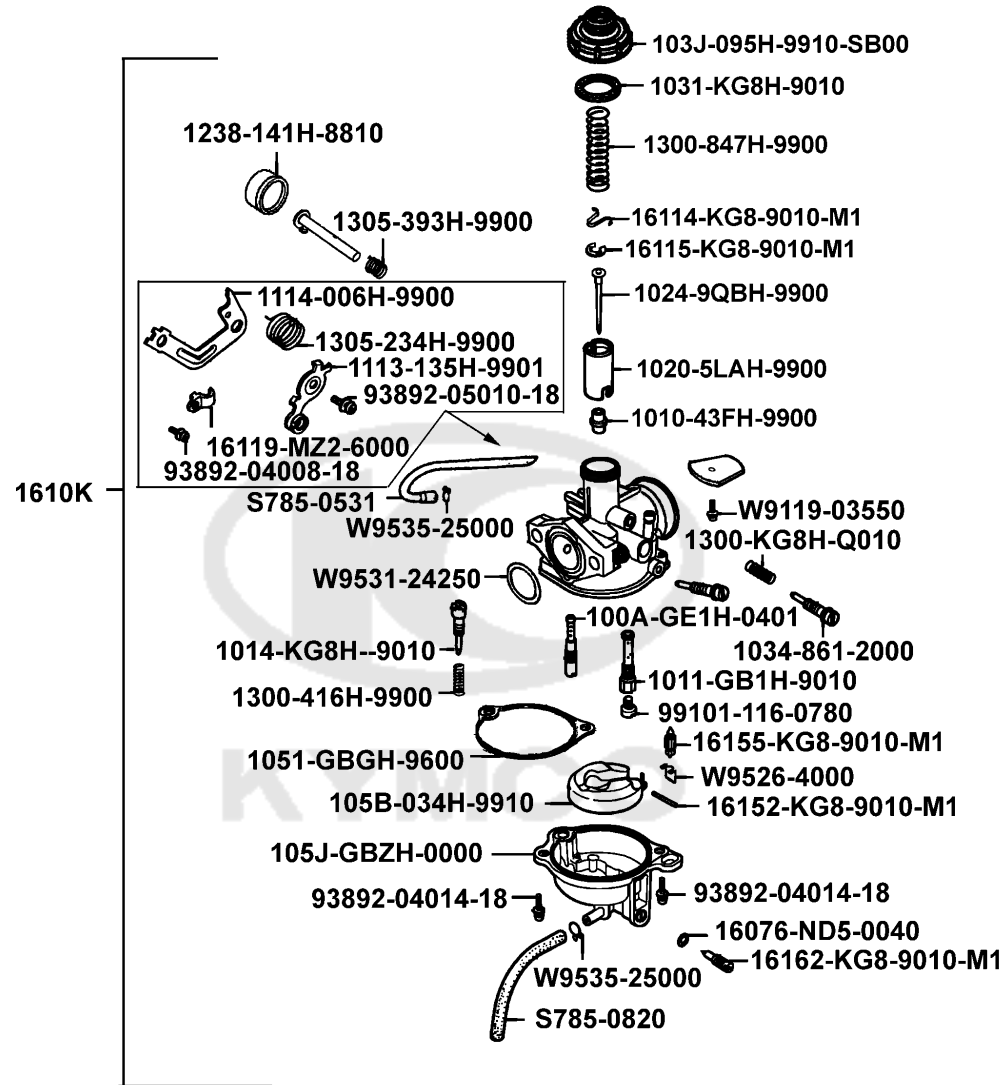
Sales mark	Ref no	Part no	Description	Reg description	Regd no	<b>E08</b>
------------	--------	---------	-------------	-----------------	---------	------------

	94510	94510-20000	CIR CLIP EX 20	CIR CLIP EX 20	1	
	96001	96001-06010-06	BOLT FLANGE 6*10	BOLT FLANGE 6*10	2	



E09

Carburetor

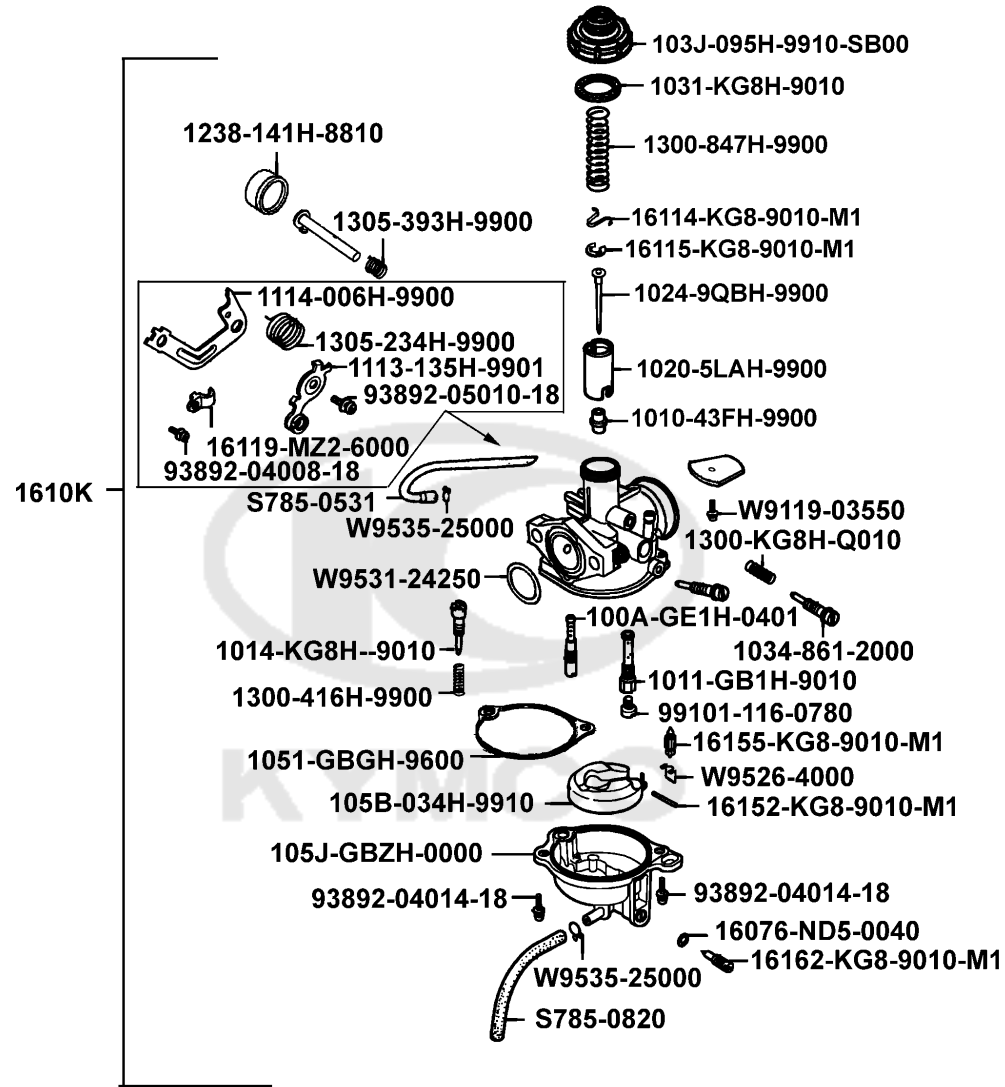




Sales mark	Ref no	Part no	Description	Reg description	Regd no	<b>E09</b>
	100A-GE1H-0401	100A-GE1H-0401	SLOW JET COMP	SLOW JET COMP	1	
	1010-43FH-9900	1010-43FH-9900	NEEDLE JET	NEEDLE JET	1	
	1011-GB1H-9010	1011-GB1H-9010	NEEDLE JET HOLDER	NEEDLE JET HOLDER	1	
	1014-KG8H-9010	1014-KG8H-9010	SCREW ADJUST	SCREW ADJUST	1	
#	1020-5LAH-9900	1020-5LAH-9901	THROTTLE VALVE	THROTTLE VALVE	1	
	1024-9QBH-9900	1024-9QBH-9900	JET NEEDLE	JET NEEDLE	1	
	1031-KG8H-9010	1031-KG8H-9010	TOP GASKET	TOP GASKET	1	
	1034-861-2000	1034-861-2000	STOP SCREW	STOP SCREW	1	
	103J-095H-9910-	103J-095H-9910-SB0	TOP SET	TOP SET	1	
	1051-GBGH-9600	1051-GBGH-9600	FLOAT CHAMBER GASKET	FLOAT CHAMBER GASKET	1	
	105B-034H-9910	105B-034H-9910	FLOAT COMP	FLOAT COMP	1	
	105J-GBZH-0000	105J-GBZH-0000	F.C.B COMP	F.C.B COMP	1	
	1113-135H-9901	1113-135H-9901	CHOKE LEVER	CHOKE LEVER	1	
	1114-006H-9900	1114-006H-9900	CHOKE LINK	CHOKE LINK	1	
	1238-141H-8810	1238-141H-8810	CHOKE DUST CAP	CHOKE DUST CAP	1	
	1300-416H-9900	1300-416H-9900	SPG COMPR	SPG COMPR	1	
#	1300-847H-9900	1300-847H-9900-K	SPG COMPR	SPG COMPR	1	
	1300-KG8H-Q010	1300-KG8H-Q010	COMPR SPG	COMPR SPG	1	
	1305-234H-9900	1305-234H-9900	SPG TORSION	SPG TORSION	1	
	1305-393H-9900	1305-393H-9900	SPG TORSION	SPG TORSION	1	

E09

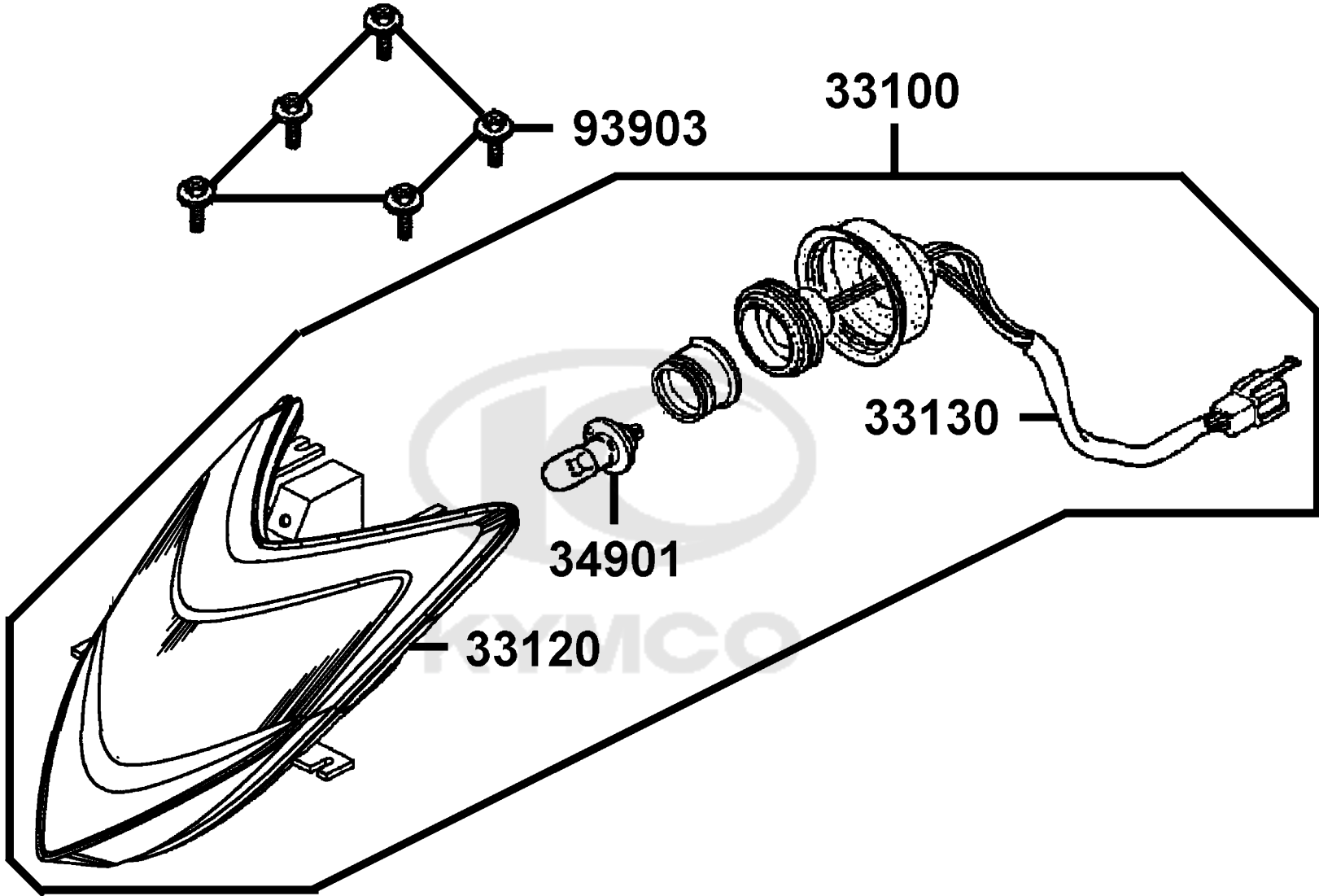
Carburetor



Sales mark	Ref no	Part no	Description	Reg description	Regd no	<b>E09</b>
	16076-ND5-0040	16076-ND5-0040	O RING	O RING	1	
	1610K-LBD4-800	1610K-LBD4-800	CARBURETOR ASSY	CARBURETOR ASSY	1	
	16114-KG8-9010-M1	16114-KG8-9010-M1	NEEDLE CLIP PLATE	NEEDLE CLIP PLATE	1	
	16115-KG8-9010-M1	16115-KG8-9010-M1	BAR CLIP	BAR CLIP	1	
	16119-MZ2-6000-K2	16119-MZ2-6000-K2	STAY PLATE	STAY PLATE	1	
	16152-KG8-9010-M1	16152-KG8-9010-M1	ARM PIN	ARM PIN	1	
	16155-KG8-9010-M1	16155-KG8-9010-M1	FLOAT VALVE COMP	FLOAT VALVE COMP	1	
	16162-KG8-9010-M1	16162-KG8-9010-M1	DRAIN SCREW PAN	DRAIN SCREW PAN	1	
#	93892-04008-18	93892-04008-16	SCREW WASHER 4*8	SCREW WASHER 4*8	1	
#	93892-04014-18	93892-04014-18-3	SCREW WASHER 4*14	SCREW WASHER 4*14	1	
	93892-05010-18	93892-05010-18	SCREW WASHER	SCREW WASHER	1	
	99101-116-0780	99101-116-0780	MAIN JET	MAIN JET	1	
	S785-0531	S785-0531	RUBBER PIPE	RUBBER PIPE	1	
	S785-0820	S785-0820	PIPE RUBBER	PIPE RUBBER	1	
	W9119-03550	W9119-03550	SCREW PAN	SCREW PAN	1	
	W9531-24250	W9351-24250	O-RING	O-RING	1	
	W9526-40000	W9526-40000	CLIP	CLIP	1	
	W9535-25000	W9535-25000	TUBE CLIP	TUBE CLIP	2	

F01

Head Light

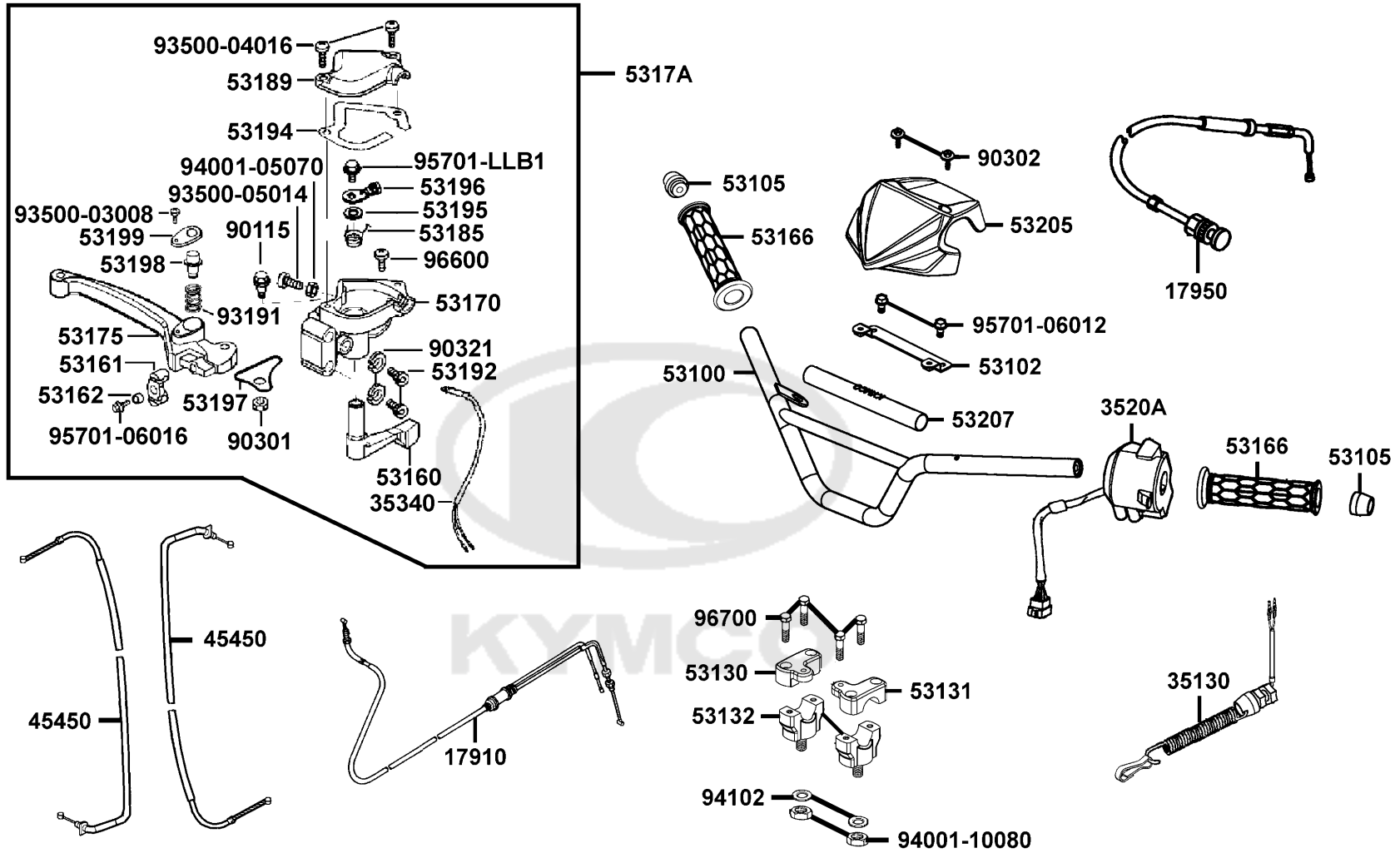


Sales mark	Ref no	Part no	Description	Reg description	Regd no	<b>F01</b>
33100		33100-LBD4-900	LIGHT ASSY HEAD	LIGHT ASSY HEAD	1	
33120		33120-LBD4-900	UNIT HEAD LIGHT	UNIT HEAD LIGHT	1	
33130		33130-LBD4-900	SOCKET COMP	SOCKET COMP	1	
34901		34901-KFA6-900	BULB HEAD LIGHT	BULB HEAD LIGHT	1	
93903		93903-35360	SCREW TAPPING 5*16	SCREW TAPPING 5*16	5	



F02

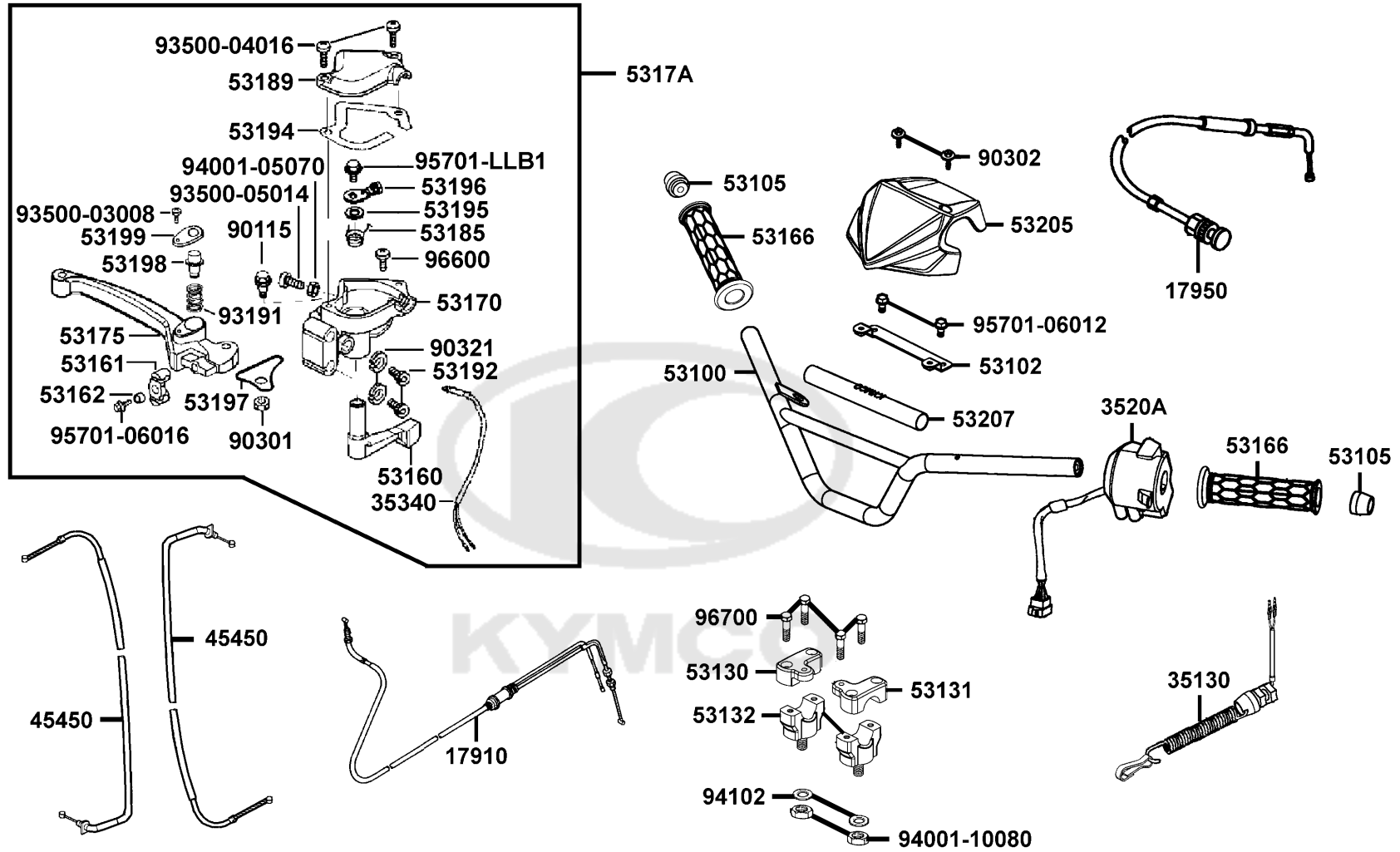
# Handle Steering Handle Cover



Sales mark	Ref no	Part no	Description	Reg description	Regd no	F02
	17910	17910-LBD4-800	CABLE COMP THROT	CABLE COMP THROT	1	
	17950	17950-LBD4-800	CABLE COMP CHOKE	CABLE COMP CHOKE	1	
	35130	35130-LBD4-900	SW UNIT KILL (SAFETY)	SW UNIT KILL (SAFETY)	1	
	3520A	3520A-LBD4-900	SW ASSY LH HANDEL COMP	SW ASSY LH HANDEL COMP	1	
#	35340	35340-LLB1-800	SW ASSY FR STOP	SW ASSY FR STOP	1	
	45450	45450-LBD4-900	CABLE COMP FR BRK	CABLE COMP FR BRK	2	
	53100	53100-LBD4-900	HANDLE PIPE STRG	HANDLE PIPE STRG	1	
	53102	53102-LBD4-900	STAY HANDLE COVER	STAY HANDLE COVER	1	
	53105	53105-KNBN-910	END STRG HANDLE	END STRG HANDLE	2	
	53130	53130-LBD4-900	HOLDER R HANDLE PIPE	HOLDER R HANDLE PIPE	2	
	53131	53131-LBD4-900	HOLDER L HANDLE PIPE	HOLDER L HANDLE PIPE	2	
	53132	53132-LBD4-900	HOLDER UNDER HANDLE PIPE	HOLDER UNDER HANDLE PIPE	4	
#	53160	53160-LLB1-800	LEVER CHOKE	LEVER CHOKE	1	
#	53161	53161-LLB1-800	EQUALIZER BRAKE CABLE	EQUALIZER BRAKE CABLE	1	
#	53162	53162-LLB1-800	SPACER	SPACER	1	
#	53166	53166-PTA7-900	GRIP HANDLE	GRIP HANDLE	1	
#	53170	53170-LLB1-800	BRKT HANDLE R	BRKT HANDLE R	1	
# **	53175	53175-LLB1-800	LEVER R STRG HANDLE	LEVER R STRG HANDLE	1	
	5317A	5317A-LLB1-800	BRKT ASSY HANDLE R	BRKT ASSY HANDLE R	1	
	53185	53185-LLB1-800	SPPING RETURN	SPPING RETURN	1	

F02

# Handle SteeringHandle Cover

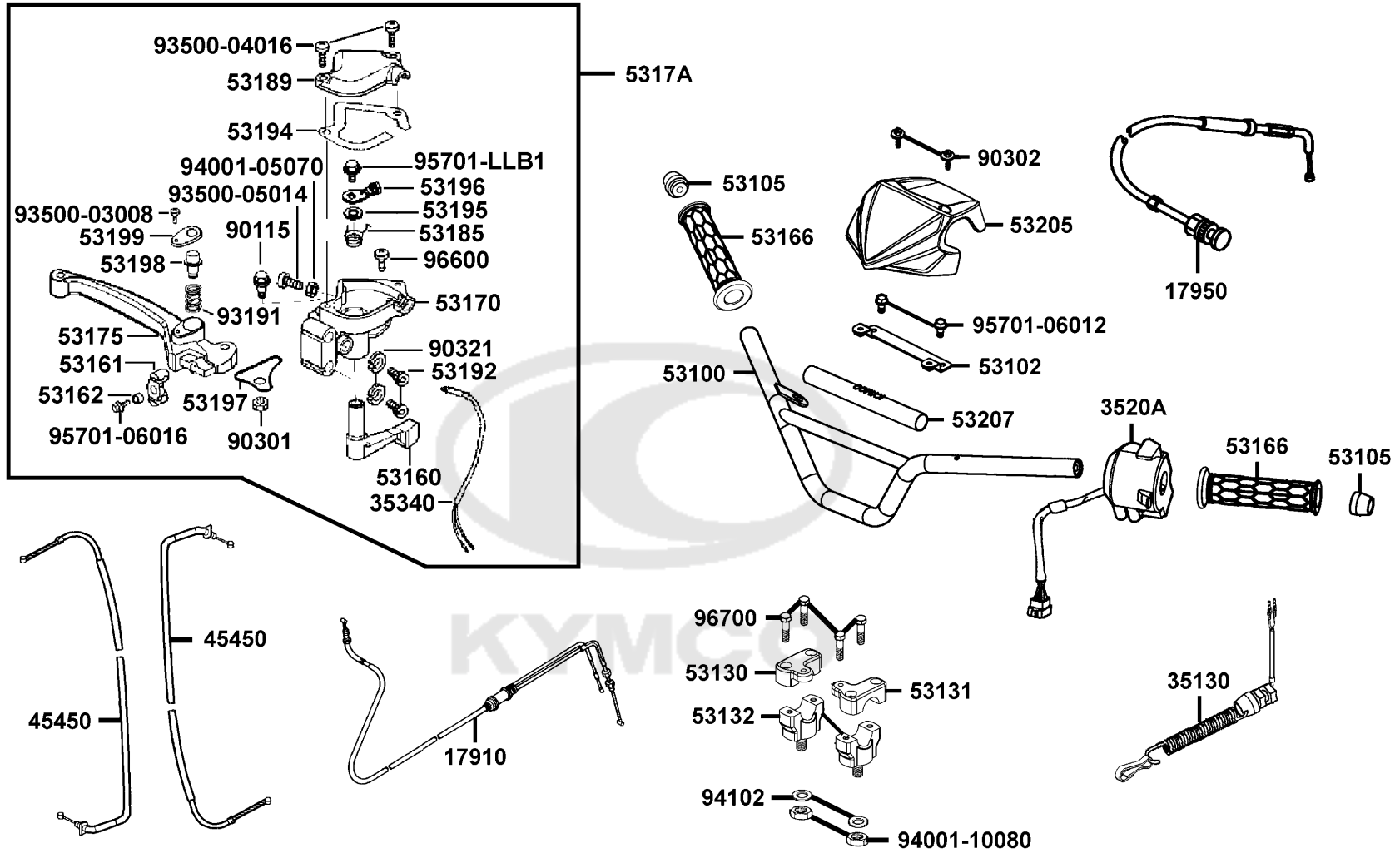




Sales mark	Ref no	Part no	Description	Reg description	Regd no	F02
#	53189	53189-LLB1-800	COVER BRKT R	COVER BRKT R	1	
#	53192	53192-LLB1-800	BOLT WIRE ADJUST	BOLT WIRE ADJUST	2	
#	53194	53194-LLB1-800	PACKING	PACKING	1	
#	53195	53195-LLB1-800	WASHER FLAT	WASHER FLAT	1	
#	53196	53196-LLB1-800	PLATE CHOKE	PLATE CHOKE	1	
#	53197	53197-LLB1-800	STOPPER PBK	STOPPER PBK	1	
#	53198	53198-LLB1-800	BUTTON PBK	BUTTON PBK	1	
#	53199	53199-LLB1-800	COVER PBK	COVER PBK	1	
**	53205	53205-LBD4-900	COVER HANDLE	COVER HANDLE	1	
#	53207	53207-LBD4-900	PROTECTOR ASSY HANDLE PIPE	PROTECTOR ASSY HANDLE PIPE	1	
#	90115	90115-LLB1-800	BOLT HANDLE LEVER PIROT	BOLT HANDLE LEVER PIROT	1	
#	90301	90301-LLB1-800	NUT U 6MM	NUT U 6MM	1	
	90302	90302-GFY6-940	BOLT-WASH 5*16	BOLT-WASH 5*16	2	
#	90321	90321-LLB1-800	NUT FIXING	NUT FIXING	2	
#	93191	93191-LLB1-800	SPG HAND BRAKE	SPG HAND BRAKE	1	
#	93500-03008	93500-03008-0G	SCREW PAN 3*8	SCREW PAN 3*8	1	
#	93500-04016	93500-04016-0G	SCREW PAN 4*16	SCREW PAN 4*16	2	
#	93500-05014	93500-05014-0G	SCREW PAN 5*14	SCREW PAN 5*14	1	
#	94001-05070	94001-05070-0S	NUT HEX 5MM	NUT HEX 5MM	1	
	94001-10080	94001-10080-0S	NUT CASTLE 10MM	NUT CASTLE 10MM	2	

F02

# Handle SteeringHandle Cover

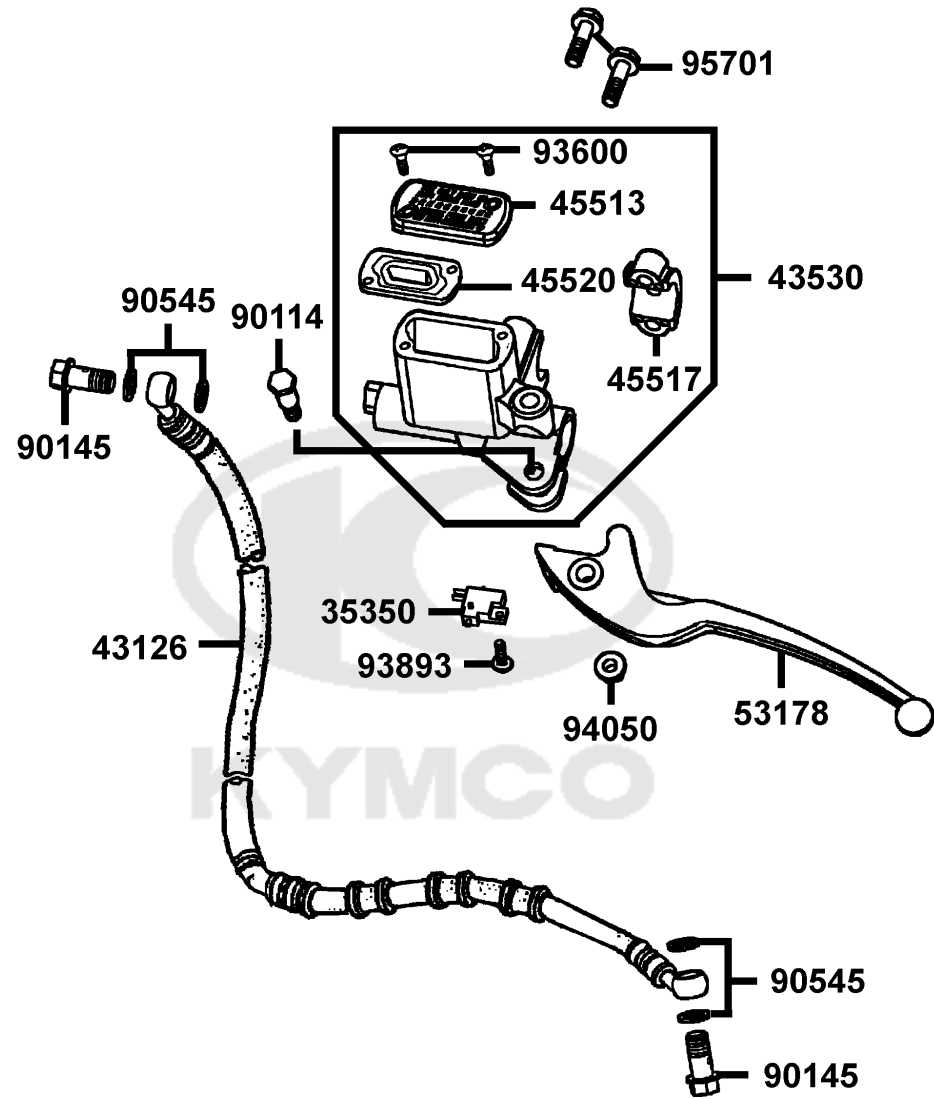


Sales mark	Ref no	Part no	Description	Reg description	Regd no	<b>F02</b>
	94102	94102-10600	WASHER PLAIN 10MM	WASHER PLAIN 10MM	2	
#	95701-06012	95701-06012-06	BOLT FLANGE 6*12	BOLT FLANGE 6*12	2	
#	95701-06016	95701-06016-06	BOLT FLANGE 6*16 (K)	BOLT FLANGE 6*16 (K)	1	
#	95701-LLB1	95701-LLB1-800	SPG HAND BRAKE	SPG HAND BRAKE	1	
#	96600	96600-06020-06	SOCKET BOLT 6*20(G)	SOCKET BOLT 6*20(G)	1	
#	96700	96700-06025-06	SOCKET BOLT 6*25(G)	SOCKET BOLT 6*25(G)	1	



F03

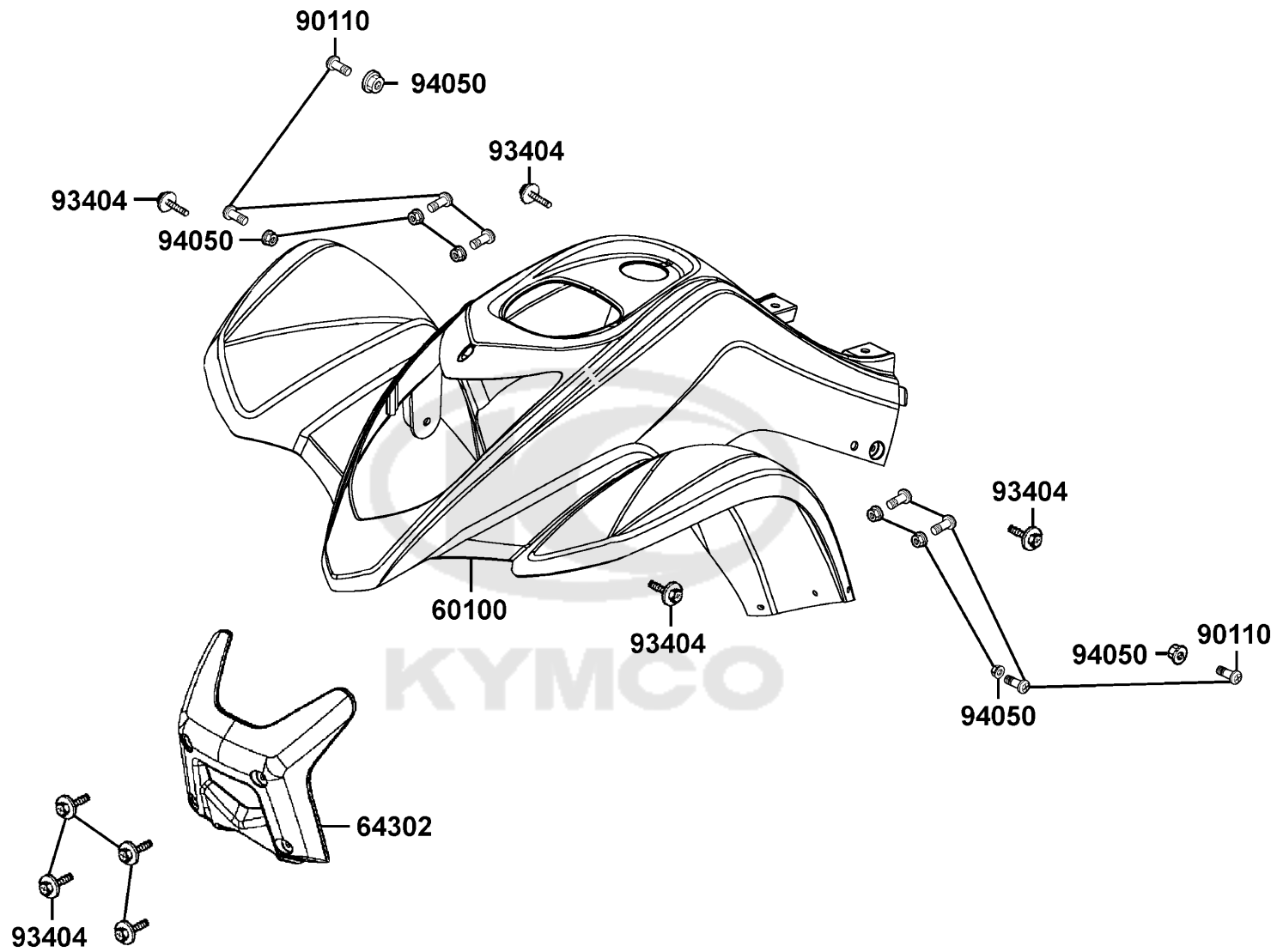
Brake Master Cylinder



Sales mark	Ref no	Part no	Description	Reg description	Regd no	<b>F03</b>
	35350	35350-KNBN-901	SW ASSY RR STOP	SW ASSY RR STOP	1	
	43126	43126-LBD4-800	HOSE ASSY RR BRAKE	HOSE ASSY RR BRAKE	1	
#	43530	43530-PVA2-305	CYLINDER ASSY RR MASTER	CYLINDER ASSY RR MASTER	1	
	45513	45513-GLW0-91A	CAP MASTER CYLINDER	CAP MASTER CYLINDER	1	
#	45517	45517-KFAF-900	HOLDER M/C	HOLDER M/C	1	
	45520	45520-GLW0-91A	DIAPHRAGM	DIAPHRAGM	1	
**	53178	53178-KEBE-900	LEVER L STRG HNDL	LEVER L STRG HNDL	1	
	90114	90114-1F66-007	BOLT HANDLE LEVER	BOLT HANDLE LEVER	1	
	90145	90145-MKS9-61A	OIL BOLT 10*22	OIL BOLT 10*22	2	
	90545	90545-3L00-001	WASHER OIL BOLT	WASHER OIL BOLT	4	
	93600	93600-04012-1G	SCREW FLAT 4*12	SCREW FLAT 4*12	2	
	93893	93893-04012-18	SCREW WASHER 4*12	SCREW WASHER 4*12	1	
#	94050	94050-06060	NUT FLANGE 6MM	NUT FLANGE 6MM	1	
	95701	95701-06022-06	BOLT FLANGE 6*22	BOLT FLANGE 6*22	2	

F04

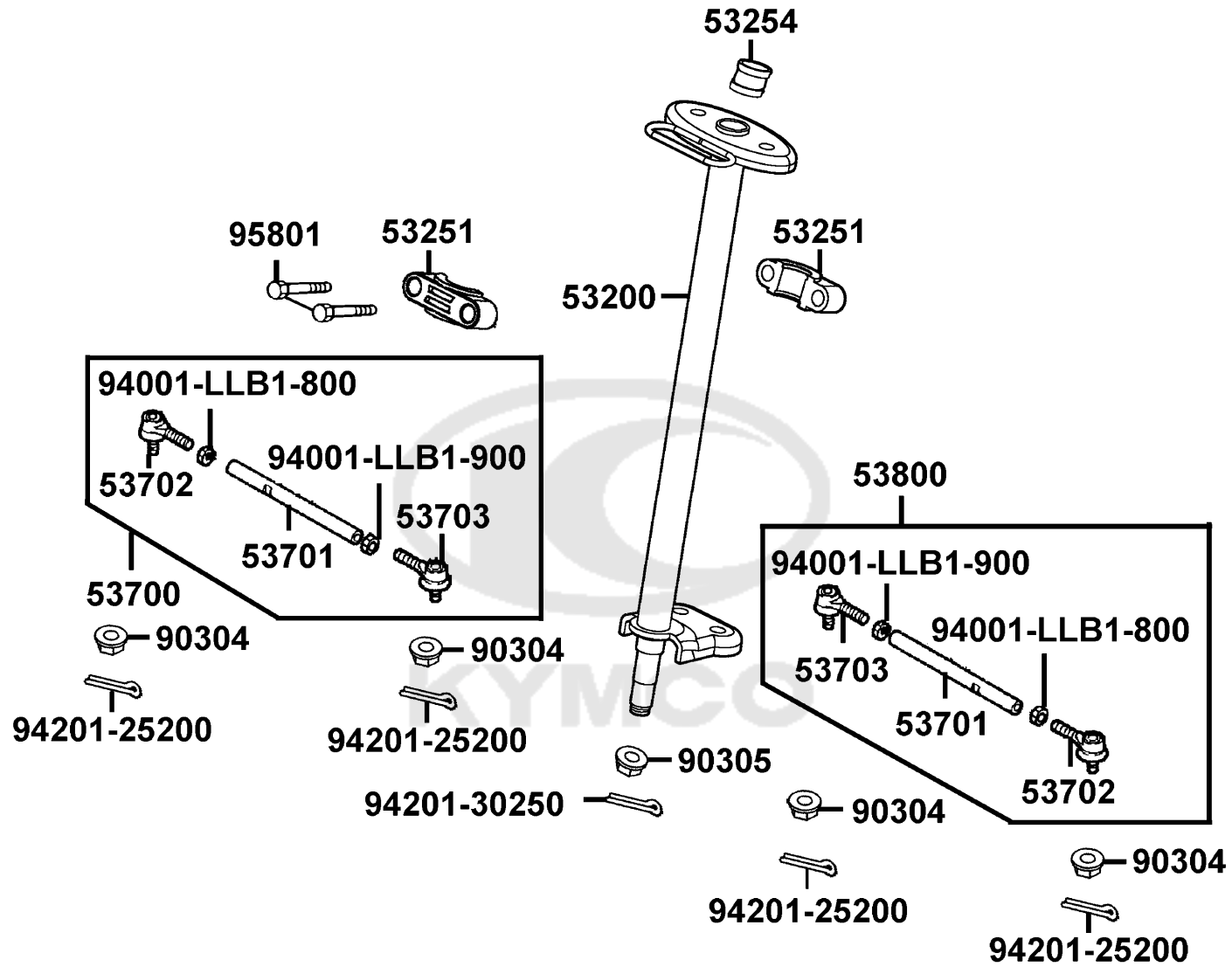
Fender Front



Sales mark	Ref no	Part no	Description	Reg description	Regd no	<b>F04</b>
------------	--------	---------	-------------	-----------------	---------	------------

**	60100	60100-LBD4-900	FENDER FRONT	FENDER FRONT	1	
# **	64302	64302-LBD4-910	COVER.FR. BUMPER	COVER.FR. BUMPER	1	
	90110	90110-LLB1-800	SCREW SPECIAL 6*16	SCREW SPECIAL 6*16	8	
	93404	93404-06016-06	BOLT WASHER 6*16	BOLT WASHER 6*16	8	
	94050	94050-LDE9-E00	NUT LOCK	NUT LOCK	8	



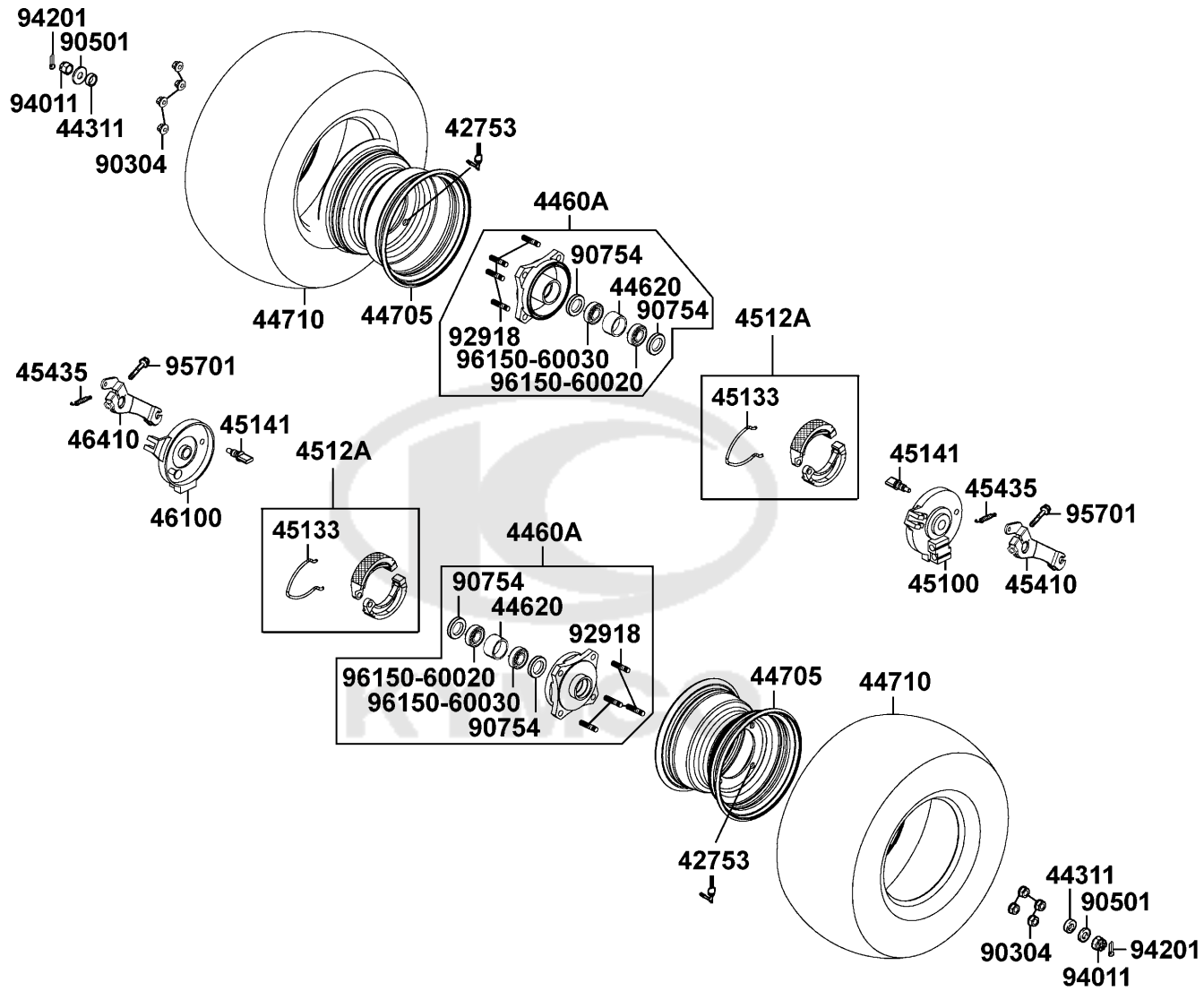




Sales mark	Ref no	Part no	Description	Reg description	Regd no	<b>F05</b>
	53200	53200-LBD4-900	STEM COMP STEERING	STEM COMP STEERING	1	
	53251	53251-LBD4-900	HOLDER STEM STRG	HOLDER STEM STRG	2	
	53254	53254-LBD4-900	SLEEVE STEM	SLEEVE STEM	1	
	53700	53700-LBD4-900	ROD ASSY R STRG	ROD ASSY R STRG	1	
	53701	53701-LBD4-900	ROD COMP STEERING	ROD COMP STEERING	2	
	53702	53702-LBD4-900	JOINT R BALL	JOINT R BALL	2	
	53703	53703-LBD4-900	JOINT L BALL	JOINT L BALL	2	
	53800	53800-LBD4-900	ROD ASSY L STRG	ROD ASSY L STRG	1	
	90304	90304-LBD4-900	NUT U FLANGE 10MM	NUT U FLANGE 10MM	4	
	90305	90305-GHE8-004	NUT U 14MM	NUT U 14MM	1	
	94001-LLB1-800	94001-LLB1-800	NUT HEX 10MM	NUT HEX 10MM	2	
	94001-LLB1-900	94001-LLB1-900	NUT HEX 6 MM	NUT HEX 6 MM	2	
	94201-25200	94201-25200	PIN SPLIT 2.5*20	PIN SPLIT 2.5*20	4	
	94201-30250	94201-30250	PIN SPLIT 3*25	PIN SPLIT 3*25	1	
#	95801	95801-08065-06	BOLT FLANGE 8*65	BOLT FLANGE 8*65	1	

F06

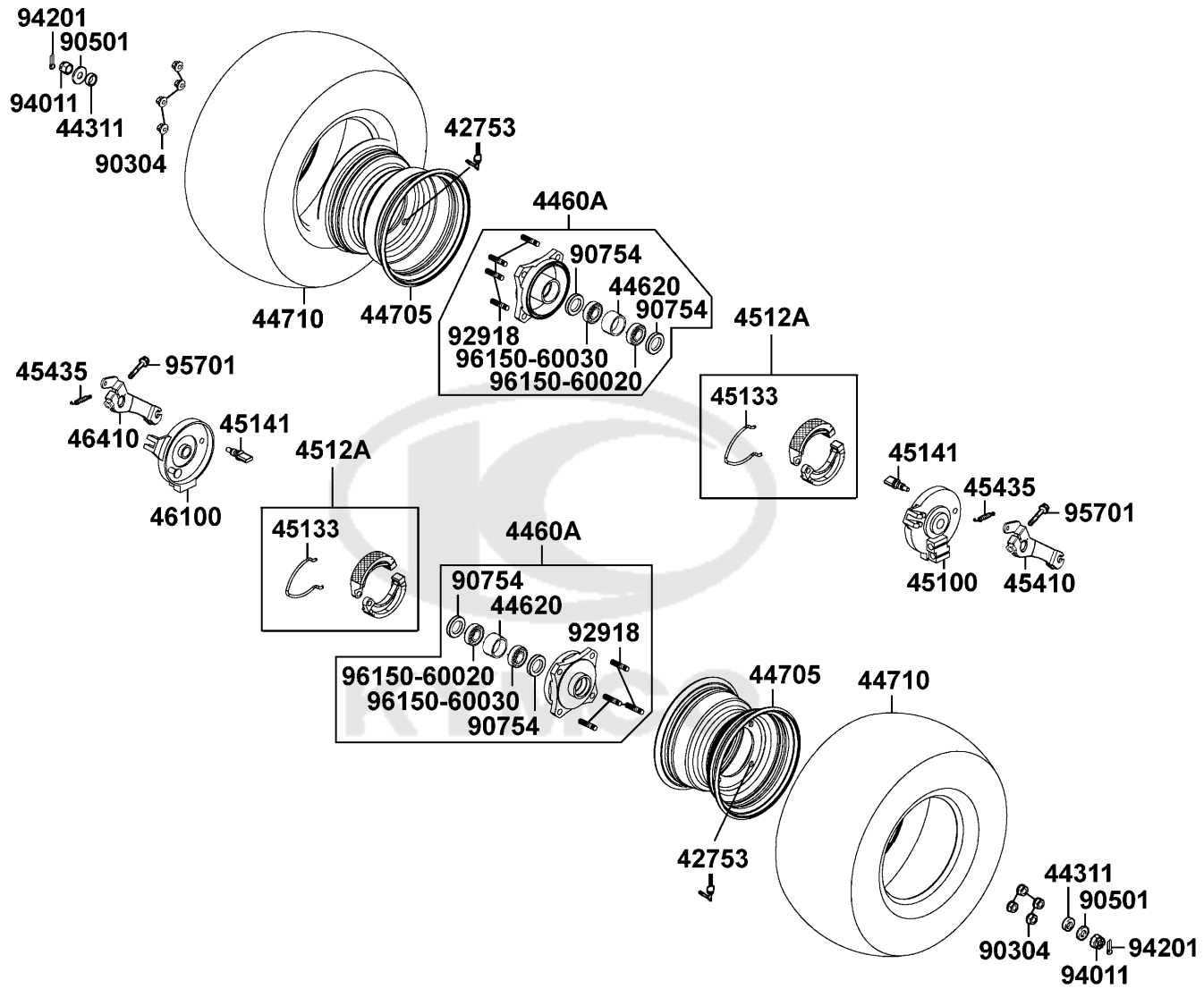
Front Wheel




Sales mark	Ref no	Part no	Description	Reg description	Regd no	F06
	42753	42753-KNBN-90B	VALAE RIM (TR412)	VALAE RIM (TR412)	2	
	44311	44311-LBD4-900	COLLAR FR WHEEL SIDE	COLLAR FR WHEEL SIDE	2	
**	4460A	4460A-LBD4-900	HUB ASSY FR	HUB ASSY FR	2	
	44620	44620-LBD4-900	COLLAR FR DIST	COLLAR FR DIST	2	
**	44705	44705-LBD4-900	RIM COMP WHEEL	RIM COMP WHEEL	2	
#	44710	44710-LBD4-900	TIRE ASSY FR AT18*7-8 2PR /MAXXIS	TIRE ASSY FR AT18*7-8 2PR /MAXXIS	2	
#	44710	44710-LBD4-E00	TIRE ASSY FR AT18*7-8 10J /MAXXIS	TIRE ASSY FR AT18*7-8 10J /MAXXIS	2	
**	45100	45100-LBD4-900	PANEL COMP FR RH	PANEL COMP FR RH	1	
	4512A	4512A-LAC5-900	SHOE ASSY FR	SHOE ASSY FR	2	
	45133	45133-LAC5-900	SPG BRAKE SHOE	SPG BRAKE SHOE	2	
	45141	45141-LBD4-900	CAM FR BRAKE	CAM FR BRAKE	2	
	45410	45410-LBD4-900	ARM FR BRAKE RH	ARM FR BRAKE RH	1	
	45435	45435-LBD4-900	SPG BRK ARM RETURN	SPG BRK ARM RETURN	2	
**	46100	46100-LBD4-900	PANEL COMP FR LH	PANEL COMP FR LH	1	
	46410	46410-LBD4-900	ARM FR BRAKE LH	ARM FR BRAKE LH	1	
	90304	90304-LBD4-900	NUT U FLANGE 10MM	NUT U FLANGE 10MM	8	
	90501	90501-LBD4-900	WASHER 12MM	WASHER 12MM	2	
	90754	90754-LLB1-900	DUST SEAL 22*35*7	DUST SEAL 22*35*7	4	
	92918	92918-LBD4-900	BOLT STUD 10*17	BOLT STUD 10*17	8	
	94011	94011-LLB1-900	NUT FLANGE CASTLE 14MM	NUT FLANGE CASTLE 14MM	2	

F06

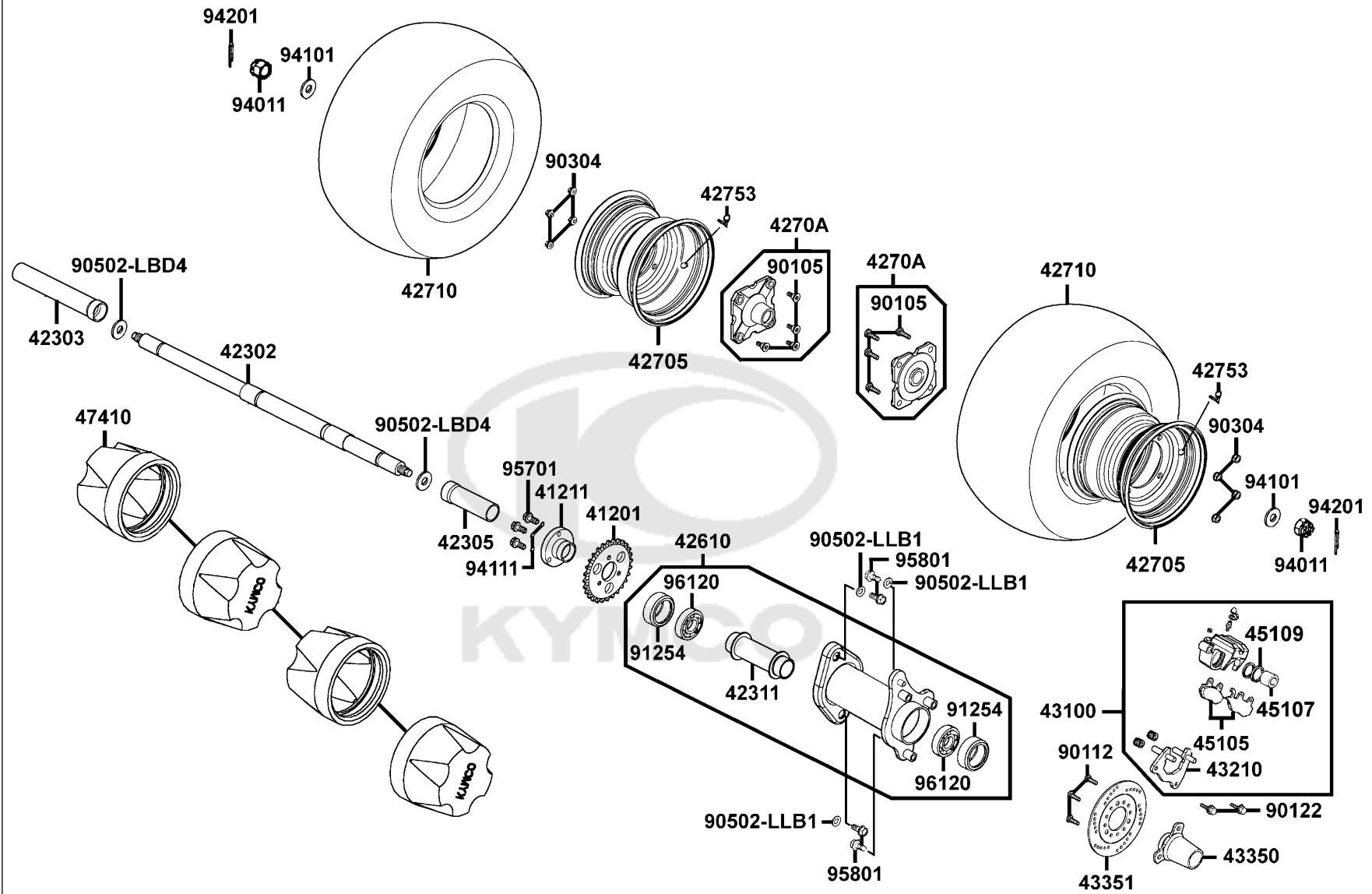
Front Wheel



Sales mark	Ref no	Part no	Description	Reg description	Regd no	<b>F06</b>
	94201	94201-30250	PIN SPLIT 3*25	PIN SPLIT 3*25	2	
	95701	95701-05024-08	BOLT FLANGE 5*24	BOLT FLANGE 5*24	2	
	96150-60020	96150-60020-10	BEARING BALL RADIAL 6002	BEARING BALL RADIAL 6002	2	
	96150-60030	96150-60030-10	BEARING BALL RADIAL 6003	BEARING BALL RADIAL 6003	1	
						

F07

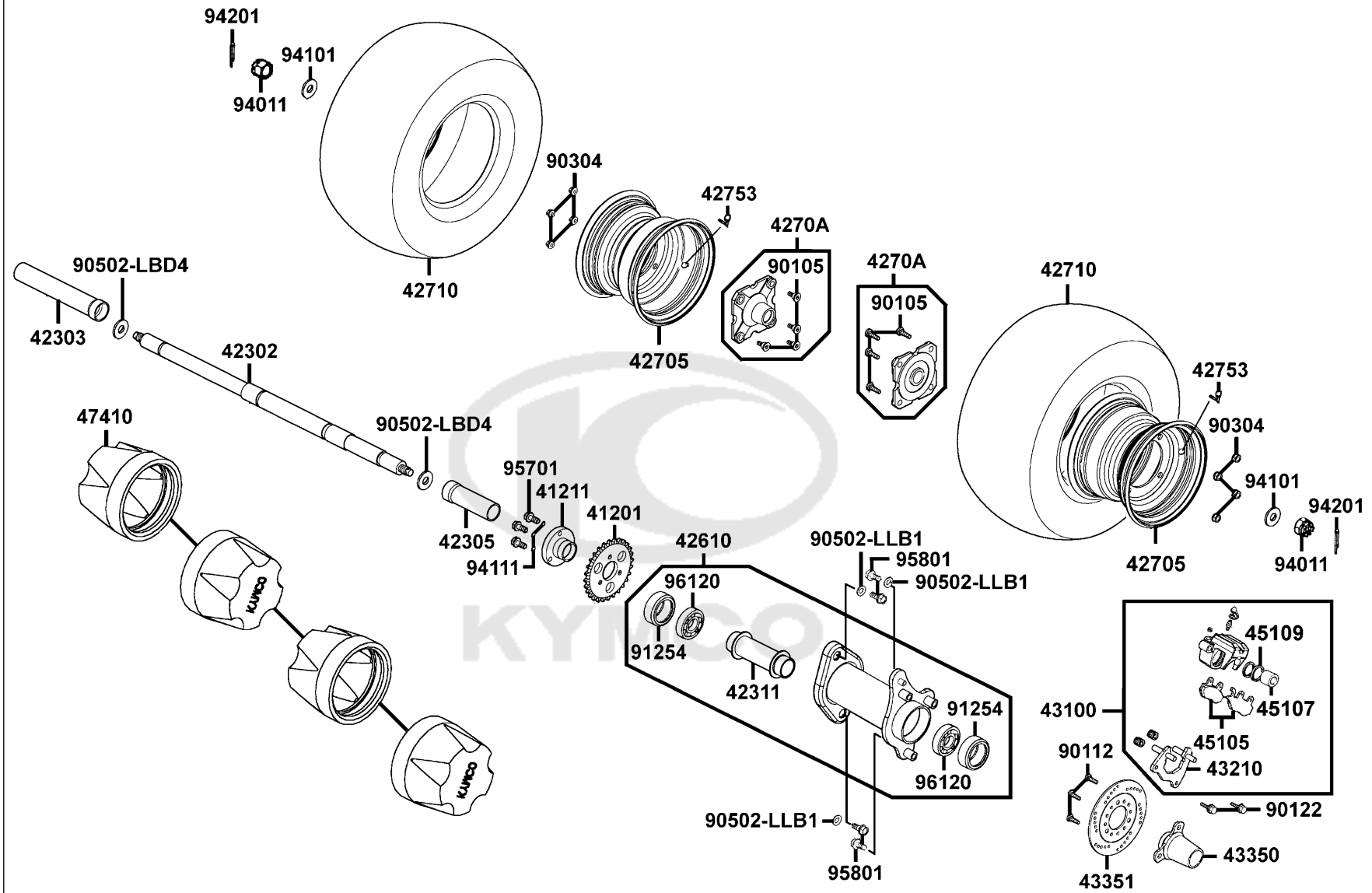
Rear Wheel



Sales mark	Ref no	Part no	Description	Reg description	Regd no	F07
	41201	41201-LBD4-900	SPRKT FINAL DRIVEN	SPRKT FINAL DRIVEN	1	
	41211	41211-LBD4-900	HOLDER SPROCKET	HOLDER SPROCKET	1	
	42302	42302-LBD4-900	SHAFT RR WHEEL	SHAFT RR WHEEL	1	
	42303	42303-LBD4-900	SPACER RR WHEEL R	SPACER RR WHEEL R	1	
	42305	42305-LBD4-900	SPACER RR WHEEL L	SPACER RR WHEEL L	1	
	42311	42311-LBD4-800	COLLAR RR HUB	COLLAR RR HUB	1	
**	42610	42610-LBD4-800	HUB ASSY REAR	HUB ASSY REAR	1	
**	42705	42705-LBD4-900	RIM COMP RR WHEEL	RIM COMP RR WHEEL	2	
	4270A	4270A-LBD4-900	CONNECTOR ASSY RR	CONNECTOR ASSY RR	2	
#	42710	42710-LBD4-900	TIRE ASSY RR AT18*9-8 2PR /MAXXIS	TIRE ASSY RR AT18*9-8 2PR /MAXXIS	2	
#	42710	42710-LBD4-E00	TIRE ASSY RR AT18*9-8 19J /MAXXIS	TIRE ASSY RR AT18*9-8 19J /MAXXIS	2	
	42753	42753-KNBN-90B	VALAE RIM (TR412)	VALAE RIM (TR412)	2	
**	43100	43100-LLB1-800	CALIPER ASSY RR	CALIPER ASSY RR	1	
	43210	43210-LLB1-305	BRACKET RR	BRACKET RR	1	
	43350	43350-LBD4-800	BRACKET BRAKE DISK	BRACKET BRAKE DISK	1	
**	43351	43351-KEBE-900	DISK RR BRAKE	DISK RR BRAKE	1	
	45105	45105-KFA6-305	PAD ASSY (A+B)	PAD ASSY (A+B)	1	
#	45107	45107-KFA6-900	PISTON	PISTON	1	
#	45109	45109-KFA6-900	DUST SEAL	DUST SEAL	1	
	47410	47410-LBD4-900	CAP WHEEL SHAFT	CAP WHEEL SHAFT	4	

F07

# Rear Wheel

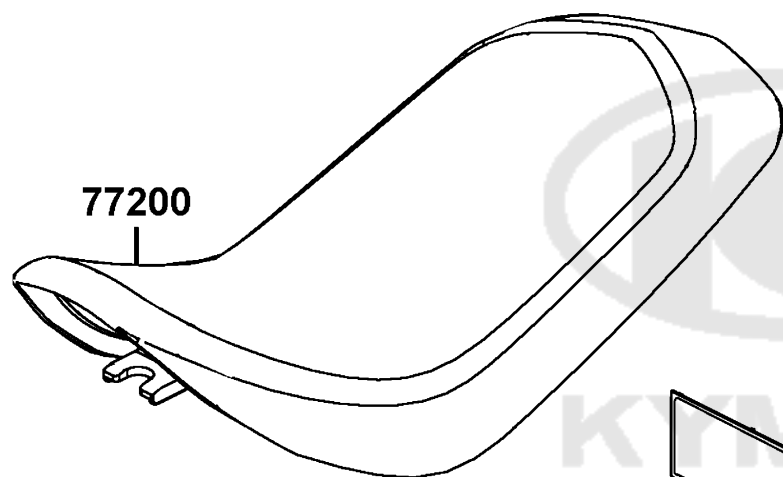




Sales mark	Ref no	Part no	Description	Reg description	Regd no	F07
90105		90105-LBD4-900	BOLT CONNECTOR	BOLT CONNECTOR	8	
90112		90112-LBD4-800	BOLT DISK	BOLT DISK	3	
90122		90122-LLB1-800-06	BOLT FLANGE 8*28	BOLT FLANGE 8*28	2	
90304		90304-LBD4-900	NUT U FLANGE 10MM	NUT U FLANGE 10MM	8	
90502-LBD4		90502-LBD4-900	WASHER 14MM	WASHER 14MM	2	
90502-LLB1		90502-LLB1-900	WASHER 12.2*28*4	WASHER 12.2*28*4	3	
91254		91254-LBD4-800	SEAL DUST	SEAL DUST	2	
94011		94011-LLB1-900	NUT FLANGE CASTLE 14MM	NUT FLANGE CASTLE 14MM	2	
94101		94101-12800	WASHER PLAIN 12MM	WASHER PLAIN 12MM	2	
94111		94111-08800	WASHER SPG 8MM	WASHER SPG 8MM	3	
94201		94201-30250	PIN SPLIT 3*25	PIN SPLIT 3*25	2	
95701		95701-08020-06	BOLT FLANGE 8*20	BOLT FLANGE 8*20	3	
95801		95801-LLB1-900-06	BOLT FLANGE 12*25	BOLT FLANGE 12*25	4	
96120		96120-60060-10	BEARING BALL RADIAL 6006	BEARING BALL RADIAL 6006	2	

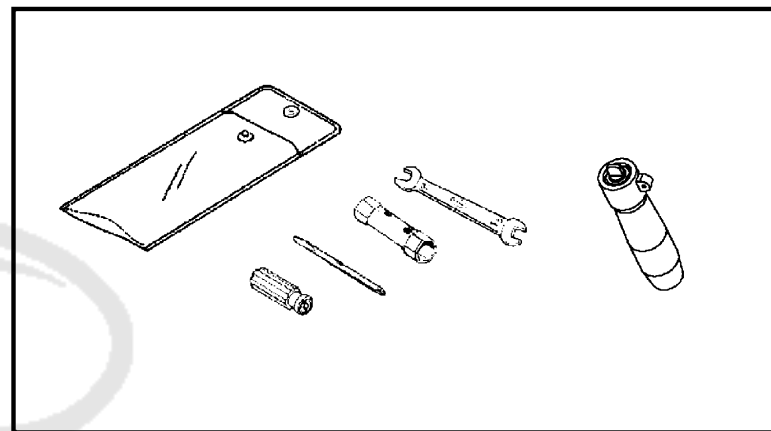
F08

Seat



77200

89020

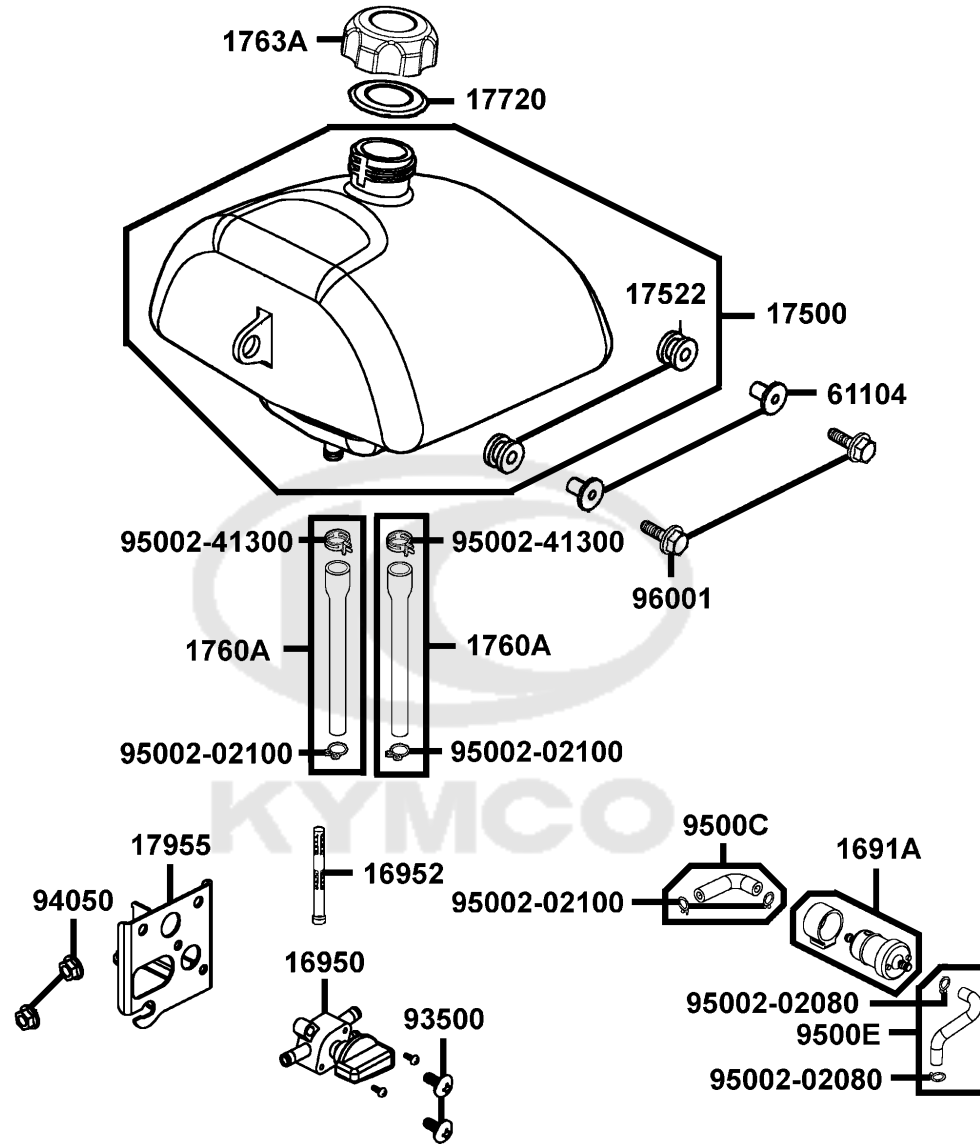


89010

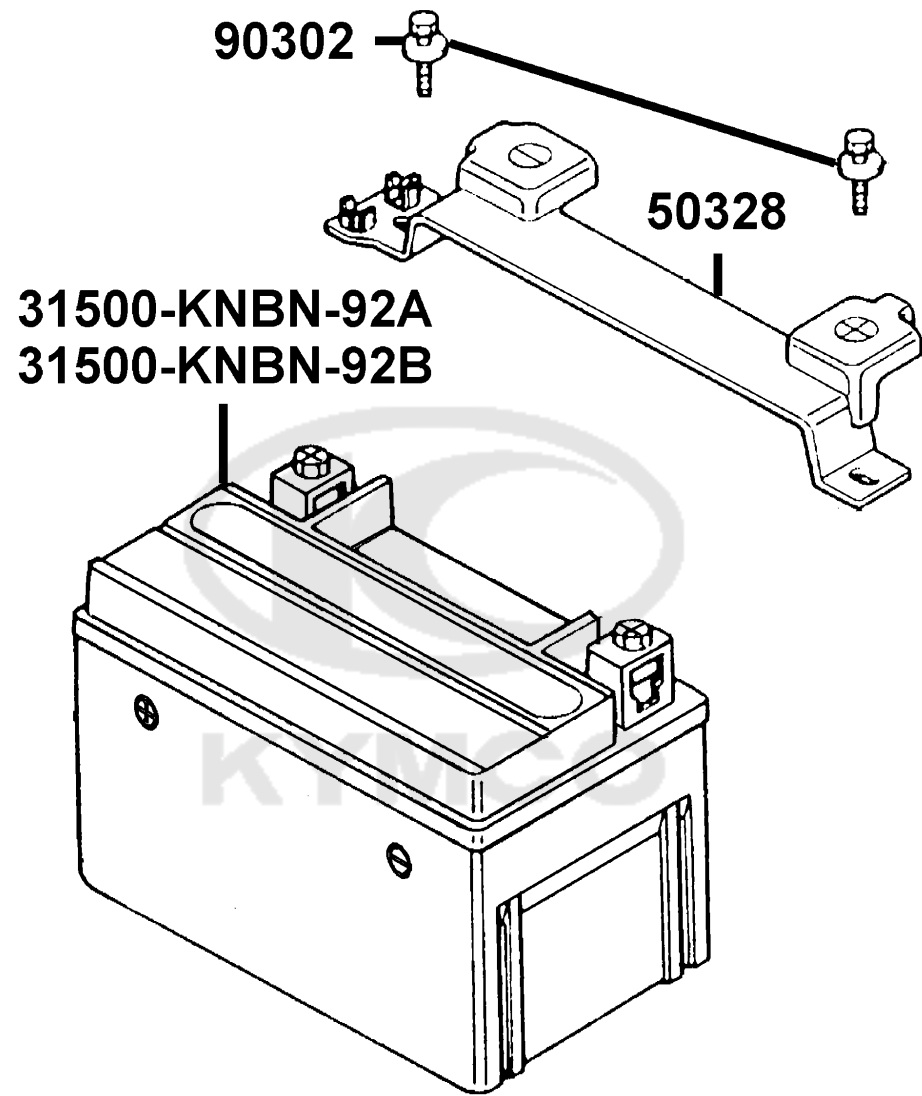
Sales mark	Ref no	Part no	Description	Reg description	Regd no	<b>F08</b>
------------	--------	---------	-------------	-----------------	---------	------------

# **	77200	77200-PWA3-900	SEAT ASSY	SEAT ASSY	1	
	89010	89010-LBD4-900	TOOL SET	TOOL SET	1	
	89020	89020-KKC4-900	BAND TOOL SET	BAND TOOL SET	1	





Sales mark	Ref no	Part no	Description	Reg description	Regd no	F09
	1691A	1691A-GFY6-90A	STRAINER ASSY FUEL	STRAINER ASSY FUEL	1	
#	16950	16950-LLB1-910	COCK FUEL	COCK FUEL	1	
	16952	16952-LLB1-900	SCREEN FUEL STRAINER	SCREEN FUEL STRAINER	1	
	17500	17500-LBD4-900	TANK COMP FUEL	TANK COMP FUEL	1	
	17522	17522-LLB1-900	RUBBER FUEL TANK	RUBBER FUEL TANK	2	
	1760A	1760A-LBD4-900	TUBE ASSY FUEL TANK	TUBE ASSY FUEL TANK	2	
	1763A	1763A-LBD4-MY0	CAP ASSY FUEL FILLER	CAP ASSY FUEL FILLER	1	
	17720	17720-LBD4-900	TRAY FRONT FENDER	TRAY FRONT FENDER	1	
	17955	17955-LBD4-800	STAY FUEL COCK	STAY FUEL COCK	1	
	61104	61104-3G57-001	COLLAR FR FENDER	COLLAR FR FENDER	2	
	93500	93500-05016-1B	SCREW PAN 5*16	SCREW PAN 5*16	2	
	94050	94050-06080	NUT FLANGE 6MM	NUT FLANGE 6MM	2	
	95002-02080	95002-02080	CLIP B8 TUBE	CLIP B8 TUBE	2	
	95002-02100	95002-02100	CLIP B15 TUBE	CLIP B15 TUBE	3	
	95002-41300	95002-41300-00	CLIP D13.0 TUBE	CLIP D13.0 TUBE	1	
	9500C	9500C-LBD3-900	TUBE ASSY FUEL	TUBE ASSY FUEL	1	
	9500E	9500E-LBD4-800	TUBE ASSY FUEL	TUBE ASSY FUEL	1	
#	96001	96001-06020-06	BOLT FLANGE SH 6*20	BOLT FLANGE SH 6*20	1	



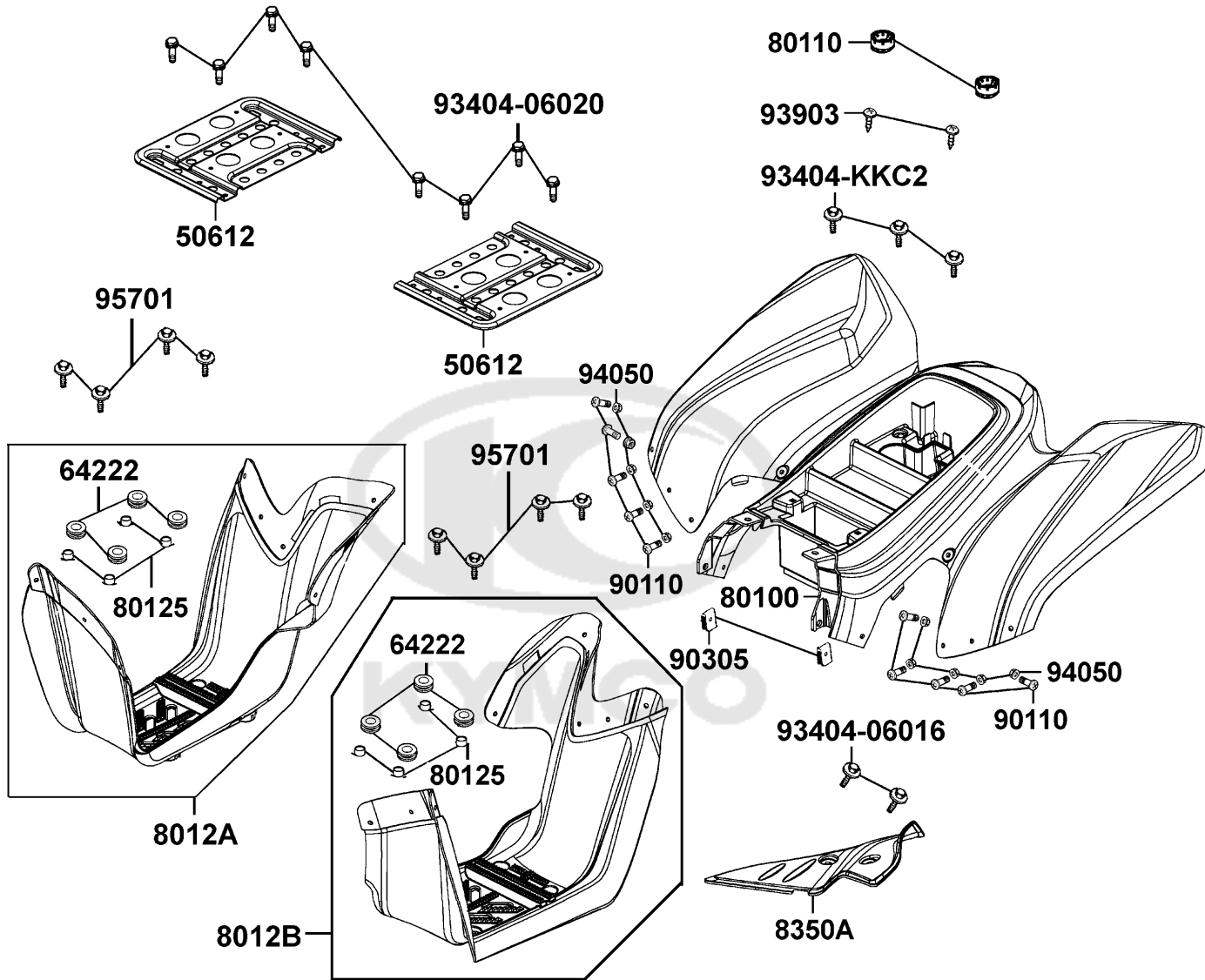
Sales mark	Ref no	Part no	Description	Reg description	Regd no	<b>F10</b>
------------	--------	---------	-------------	-----------------	---------	------------

	31500-KNBN-92A	31500-KNBN-92A	BATTERY YTX5L-BS	BATTERY YTX5L-BS	1	
	31500-KNBN-92B	31500-KNBN-92B	BATTERY GTX5L-BS	BATTERY GTX5L-BS	1	
	50328	50328-LBD4-900	"BAND.BATTERY"	"BAND.BATTERY"	1	
	90302	90302-GFY6-901	BOLT WASH 5*12	BOLT WASH 5*12	2	



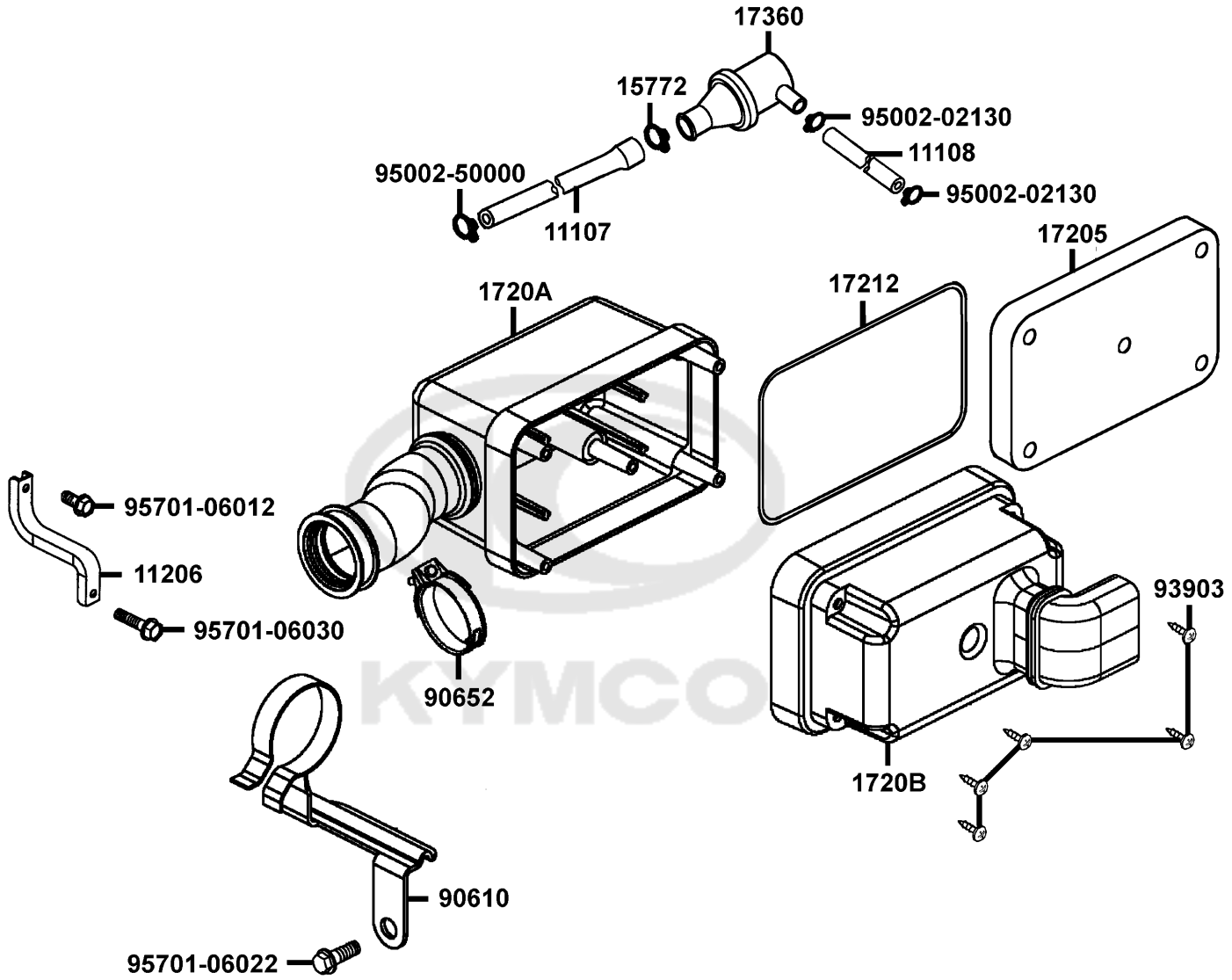
F11

Fender Rear





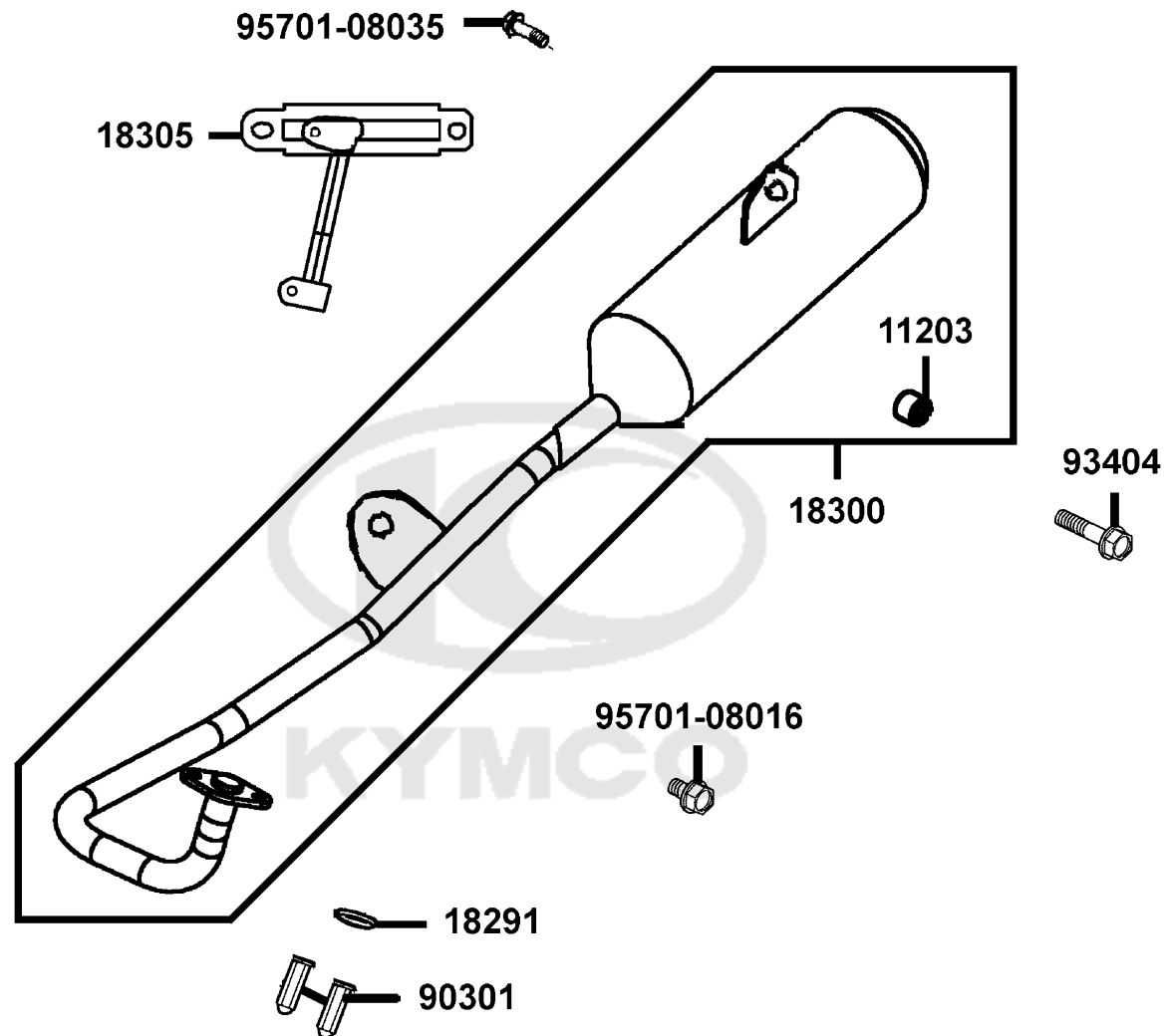
Sales mark	Ref no	Part no	Description	Reg description	Regd no	F11
	50612	50612-LBD4-900	RNFCT FLOOR	RNFCT FLOOR	2	
	64222	64222-LLJ3-E00	RUBBER WIND SCREEN	RUBBER WIND SCREEN	8	
**	80100	80100-LBD4-900	FENDER REAR	FENDER REAR	1	
	80110	80110-LBA7-900	RUBBER REAR FENDER	RUBBER REAR FENDER	2	
	80125	80125-LBD4-900	COLLAR FLOOR	COLLAR FLOOR	8	
# **	8012A	8012A-LBD4-910	MUDGUARD ASSY.R FLOOR	MUDGUARD ASSY.R FLOOR	1	
# **	8012B	8012B-LBD4-910	MUDGUARD ASSY.L FLOOR	MUDGUARD ASSY.L FLOOR	1	
#	8350A	8350A-LBD4-910	COVER ASSY.SIDE	COVER ASSY.SIDE	1	
	90110	90110-LLB1-800	SCREW SPECIAL 6*16	SCREW SPECIAL 6*16	10	
	90305	90305-GHK8-001	NUT CLIP 6MM	NUT CLIP 6MM	2	
	93404-06016	93404-06016-06	BOLT WASHER 6*16	BOLT WASHER 6*16	2	
#	93404-06020	93404-06020-06	BOLT WASHER 6*20 (G)	BOLT WASHER 6*20 (G)	8	
#	93404-KKC2	93404-KKC2-900	BOLT WASH 6*16	BOLT WASH 6*16	3	
	93903	93903-35360	SCREW TAPPING 5*16	SCREW TAPPING 5*16	2	
	94050	94050-LDE9-E00	NUT LOCK	NUT LOCK	10	
	95701	95701-08016-06	BOLT FLANGE 8*16	BOLT FLANGE 8*16	8	



Sales mark	Ref no	Part no	Description	Reg description	Regd no	F12
	11107	11107-LBD4-900	TUBE A	TUBE A	1	
	11108	11108-LBD4-900	TUBE B	TUBE B	1	
	11206	11206-LBD4-900	STAY A/C	STAY A/C	1	
	15772	15772-2B92-011	CLIP BREATHER TUBE	CLIP BREATHER TUBE	1	
	17205	17205-LLJ1-900	ELEMENT AIR/C	ELEMENT AIR/C	1	
	1720A	1720A-PWA3-900	CASE ASSY AIR/C	CASE ASSY AIR/C	1	
	1720B	1720B-LBD4-900	COVER ASSY AIR/C	COVER ASSY AIR/C	1	
	17212	17212-LBD4-900	SEAL AIR/C COVER	SEAL AIR/C COVER	1	
	17360	17360-KGBG-900	CATH TANK ASSY	CATH TANK ASSY	1	
	90610	90610-LLJ1-900	BAND ASSY AIR/C TUBE	BAND ASSY AIR/C TUBE	1	
	90652	90652-KTCT-900	BAND AIR/C CONN	BAND AIR/C CONN	1	
	93903	93903-25460	SCREW TAPPING 5*20	SCREW TAPPING 5*20	5	
	95002-02130	95002-02130	CLIP B12.5 TUBE	CLIP B12.5 TUBE	2	
	95002-50000	95002-50000	CLIP C9 TUBE	CLIP C9 TUBE	1	
#	95701-06012	95701-06012-06	BOLT FLANGE 6*12	BOLT FLANGE 6*12	1	
	95701-06022	95701-06022-06	BOLT FLANGE 6*22	BOLT FLANGE 6*22	1	
#	95701-06030	95701-06030-06	BOLT FLANGE 6*30 (G)	BOLT FLANGE 6*30 (G)	1	

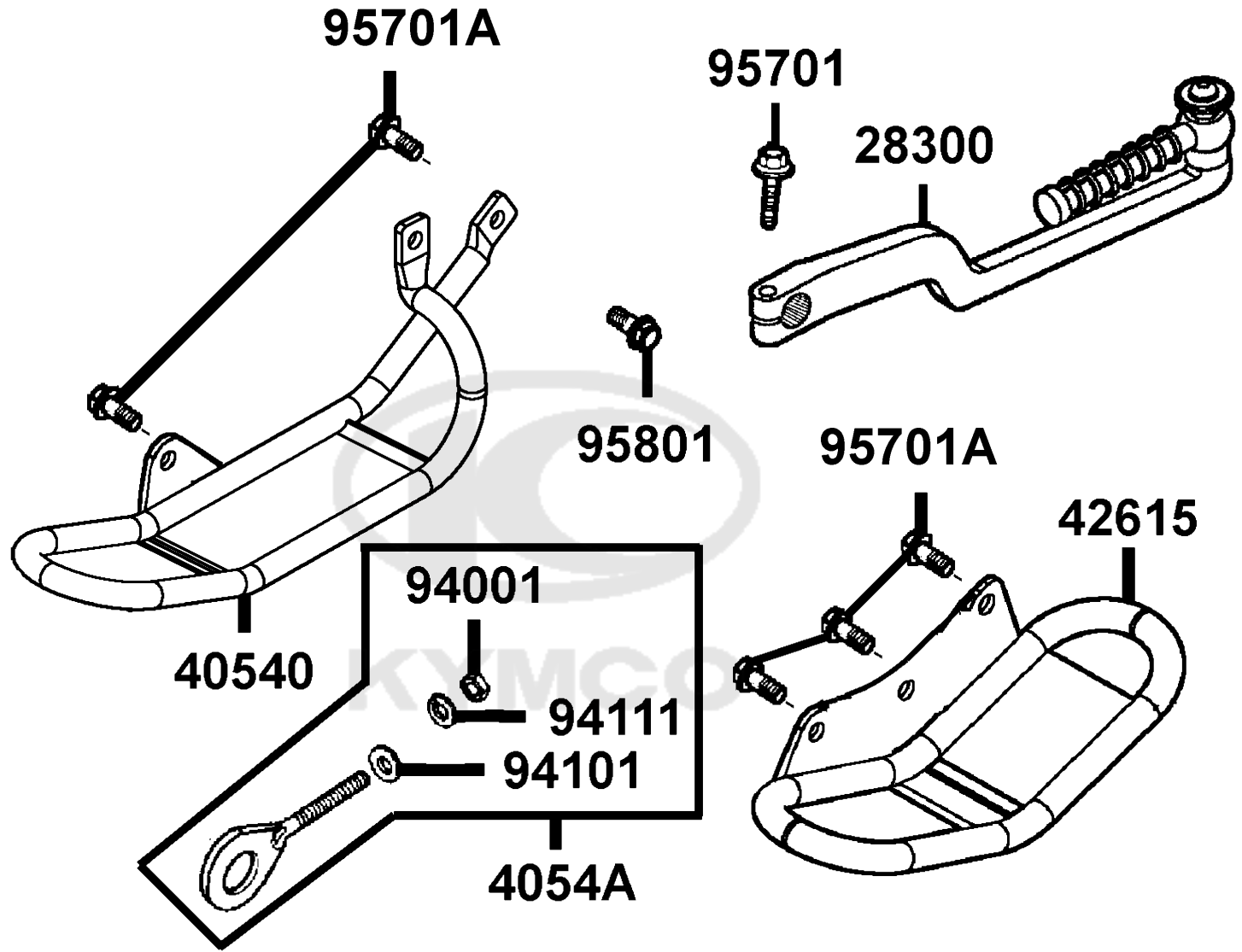
F13

Exhaust Muffler

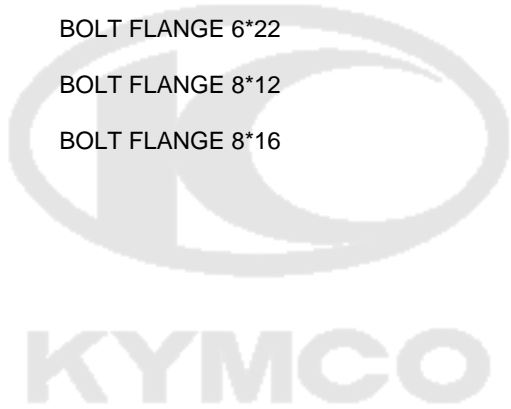


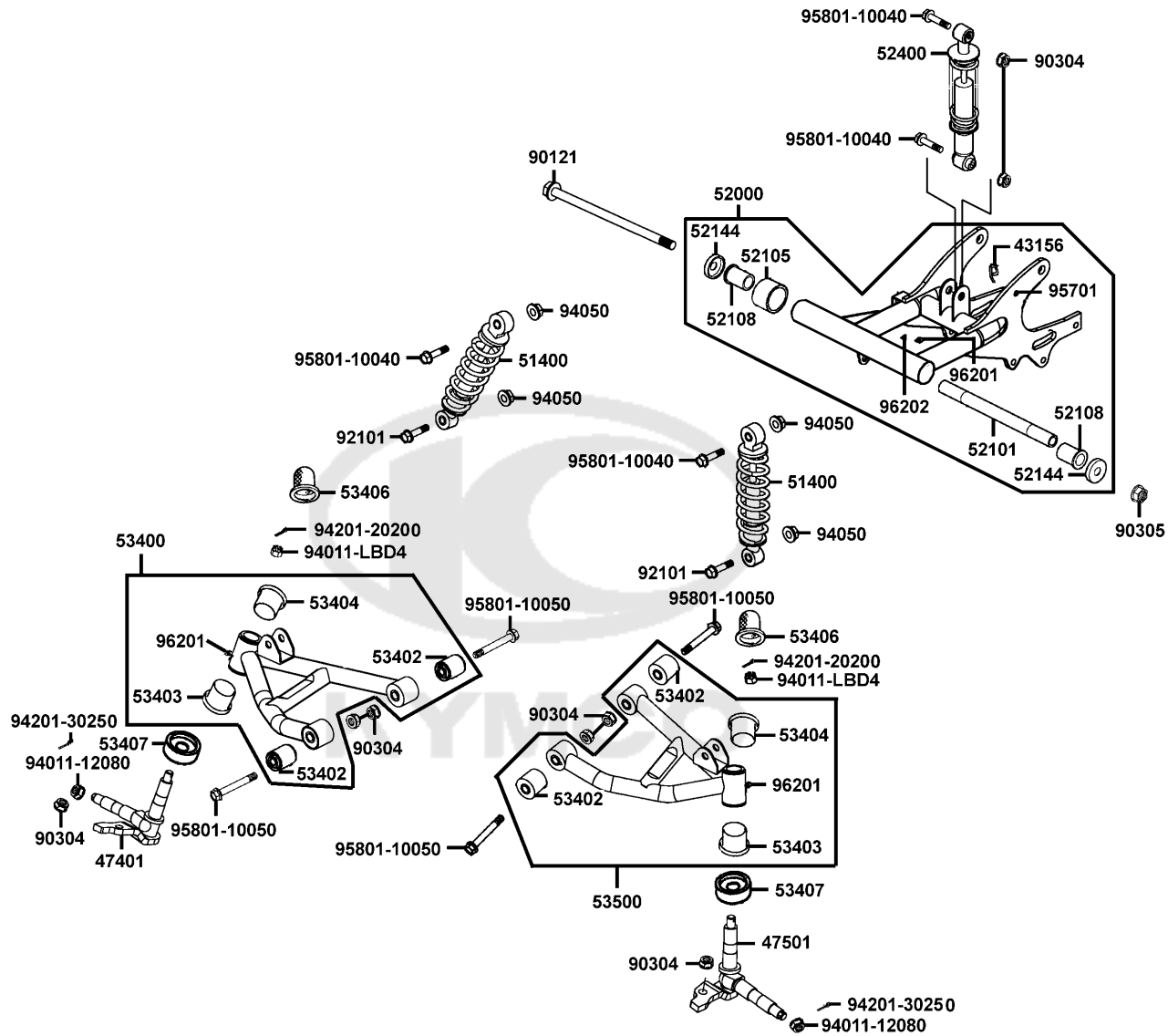
Sales mark	Ref no	Part no	Description	Reg description	Regd no	F13
	11203	11203-GFY6-901	RUBBER BUSH MUFFLER STAY	RUBBER BUSH MUFFLER STAY	1	
	18291	18291-LBD4-900	GASKET EXH PIPE	GASKET EXH PIPE	1	
	18300	18300-LBD4-800	MUFFLER COMP EXHAUST **(3)	MUFFLER COMP EXHAUST **(3) C.2007.10.22	1	
	18305	18305-LBD4-900	STAY MUFFLER	STAY MUFFLER	1	
	90301	90301-GFY6-901	NUT (HEX) CAP 8MM	NUT (HEX) CAP 8MM	2	
	93404	93404-LBD4-900	BOLT WASH 8*28	BOLT WASH 8*28	1	
	95701-08016	95701-08016-06	BOLT FLANGE 8*16	BOLT FLANGE 8*16	1	
#	95701-08035	95701-08035-06	BOLT FLANGE 8*28	BOLT FLANGE 8*28	1	





Sales mark	Ref no	Part no	Description	Reg description	Regd no	<b>F14</b>
	28300	28300-LBD4-900	ARM ASSY KICK STARTER	ARM ASSY KICK STARTER	1	
	40540	40540-LBD4-900	PROTECTOR CHSIN	PROTECTOR CHSIN	1	
	4054A	4054A-LBD4-900	DRIVE CHAIN ADJUSTER ASSY	DRIVE CHAIN ADJUSTER ASSY	1	
	42615	42615-LBD4-900	PROTECTOR RR BRAKE	PROTECTOR RR BRAKE	1	
	94001	94001-08080-0S	NUT HEX 8MM	NUT HEX 8MM	1	
	94101	94101-08800	WASHER PLAIN 8MM	WASHER PLAIN 8MM	1	
	94111	94111-08800	WASHER SPG 8MM	WASHER SPG 8MM	1	
	95701	95701-06022-06	BOLT FLANGE 6*22	BOLT FLANGE 6*22	1	
#	95701A	95701-08012-06	BOLT FLANGE 8*12	BOLT FLANGE 8*12	1	
#	95801	95801-08016-06	BOLT FLANGE 8*16	BOLT FLANGE 8*16	1	



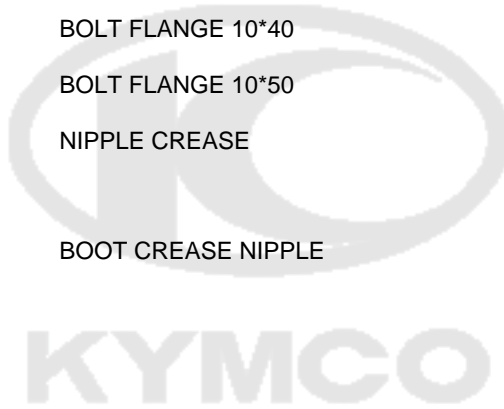




Sales mark	Ref no	Part no	Description	Reg description	Regd no	F15
	43156	43156-LLB1-800	CLAMPER BRAKE HOSE	CLAMPER BRAKE HOSE	1	
	47401	47401-LBD4-900	SHAFT R STEERING	SHAFT R STEERING	1	
	47501	47501-LBD4-900	SHAFT L STEERING	SHAFT L STEERING	1	
**	51400	51400-LBD4-900	CUSH ASSY FR	CUSH ASSY FR	2	
	52000	52000-LBD4-900	FORK COMP RR	FORK COMP RR	1	
	52101	52101-LBD4-900	COLLAR RR FORK DIST	COLLAR RR FORK DIST	1	
	52105	52105-LBD4-900	SLEEVE RUBBER	SLEEVE RUBBER	1	
	52108	52108-LBD4-900	BUSH REAR FORK	BUSH REAR FORK	2	
	52144	52144-LBA7-900	CAP RR FORK DUST SEAL	CAP RR FORK DUST SEAL	2	
**	52400	52400-LBD4-900	CUSH ASSY RR	CUSH ASSY RR	2	
	53400	53400-LBD4-900	ARM ASSY R SWING	ARM ASSY R SWING	1	
	53402	53402-LBD4-900	BUSH SWING ARM	BUSH SWING ARM	4	
	53403	53403-LBD4-900	BUSH SWING ARM BOTTOM	BUSH SWING ARM BOTTOM	2	
	53404	53404-LBD4-900	BUSH SWING ARM UP	BUSH SWING ARM UP	2	
	53406	53406-LBD4-900	CAP SWING ARM	CAP SWING ARM	2	
	53407	53407-LBD4-900	SEAL SWING ARM	SEAL SWING ARM	2	
	53500	53500-LBD4-900	ARM ASSY L SWING	ARM ASSY L SWING	1	
	90121	90121-LBA7-900	BOLT RR FORK PIVOT M14*280MM	BOLT RR FORK PIVOT M14*280MM	1	
	90304	90304-GLW0-90A	NUT U FLANGE 10MM	NUT U FLANGE 10MM	8	
	90305	90305-GHE8-004	NUT U 14MM	NUT U 14MM	1	

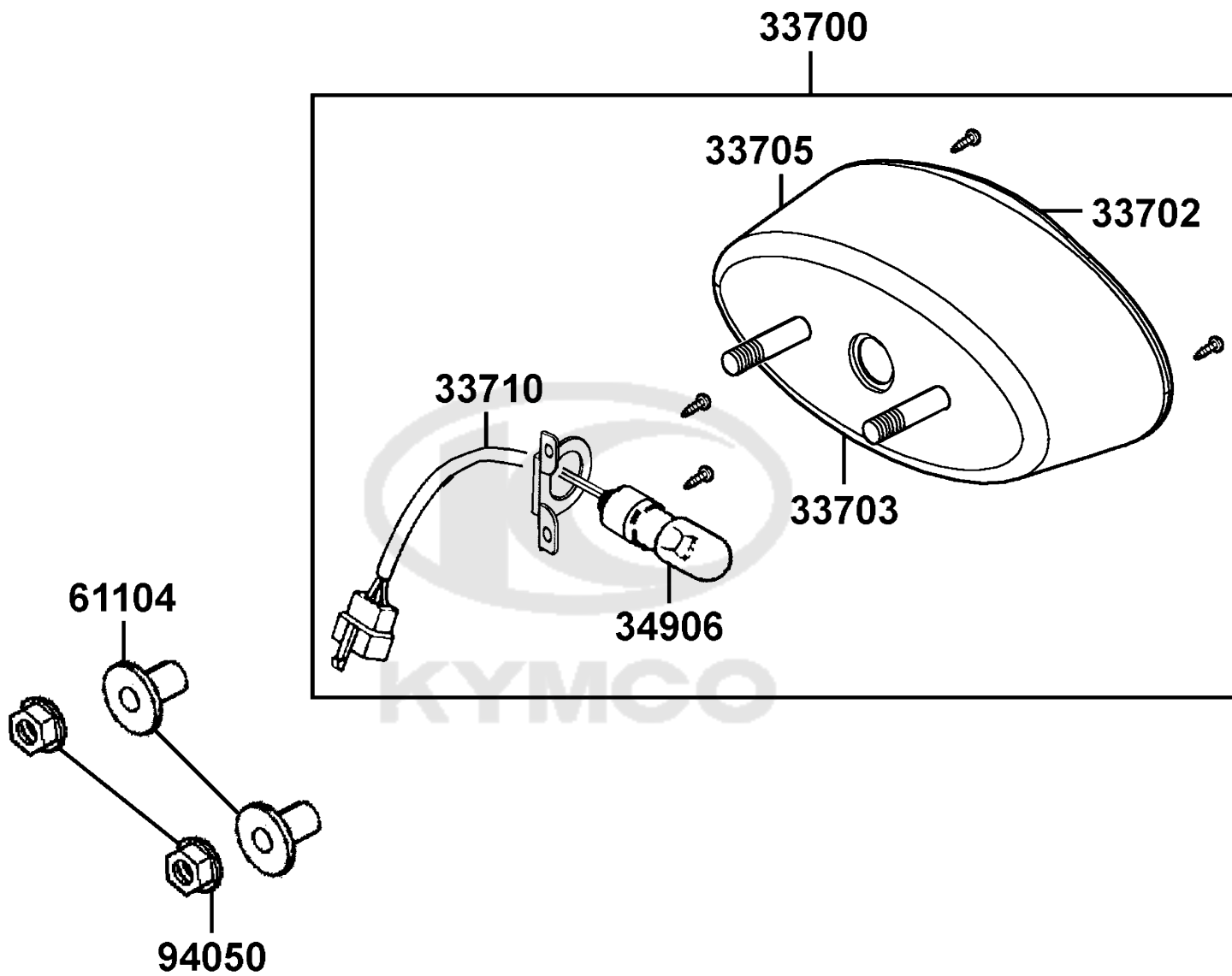


Sales mark	Ref no	Part no	Description	Reg description	Regd no	<b>F15</b>
#	92101	92101-10040-0G	BOLT HEX 10X40 (G)	BOLT HEX 10X40 (G)	1	
	94011-12080	94011-12080-0S	NUT CASTLE 12MM	NUT CASTLE 12MM	2	
	94011-LBD4	94011-LBD4-900	NUT FLANGE CASTLE 10MM	NUT FLANGE CASTLE 10MM	2	
	94050	94050-10080	NUT FLANGE 10MM	NUT FLANGE 10MM	4	
	94201-20200	94201-20200	PIN SPLIT 2*20	PIN SPLIT 2*20	2	
	94201-30250	94201-30250	PIN SPLIT 3*25	PIN SPLIT 3*25	2	
#	95701	95701-06010-06	BOLT FLANGE 6*10	BOLT FLANGE 6*10	1	
#	95801-10040	95801-10040-06	BOLT FLANGE 10*40	BOLT FLANGE 10*40	1	
	95801-10050	95801-10050-06	BOLT FLANGE 10*50	BOLT FLANGE 10*50	4	
	96201	96201-10000	NIPPLE CREASE	NIPPLE CREASE	3	
	96202	96202-LBD4-900	BOOT CREASE NIPPLE	BOOT CREASE NIPPLE	1	



F16

Rear Light

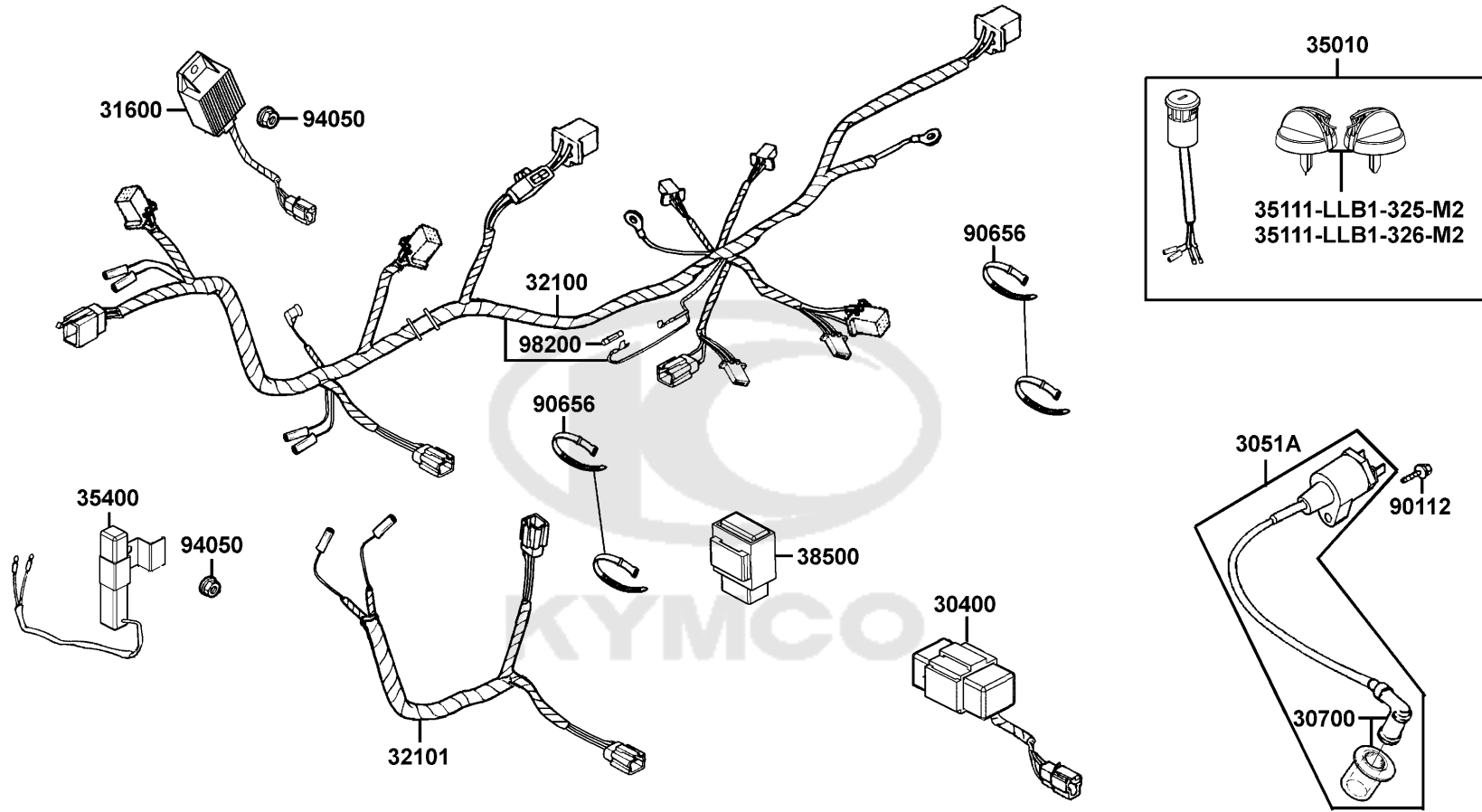


Sales mark	Ref no	Part no	Description	Reg description	Regd no	<b>F16</b>
33700		33700-LLB1-900	LIGHT ASSY TAIL	LIGHT ASSY TAIL	1	
33702		33702-LLB1-900	LENS TAIL LIGHT	LENS TAIL LIGHT	1	
33703		33703-LLB1-900	LENS LICENSE	LENS LICENSE	1	
33705		33705-LLB1-900	BASE TAIL LIGHT	BASE TAIL LIGHT	1	
33710		33710-LLB1-900	SOCKET COMP TAIL LIGHT	SOCKET COMP TAIL LIGHT	1	
34906		34906-KPCP-900	BULB TAIL & STOP	BULB TAIL & STOP	1	
61104		61104-3G57-001	COLLAR FR FENDER	COLLAR FR FENDER	2	
94050		94050-06080	NUT FLANGE 6MM	NUT FLANGE 6MM	2	

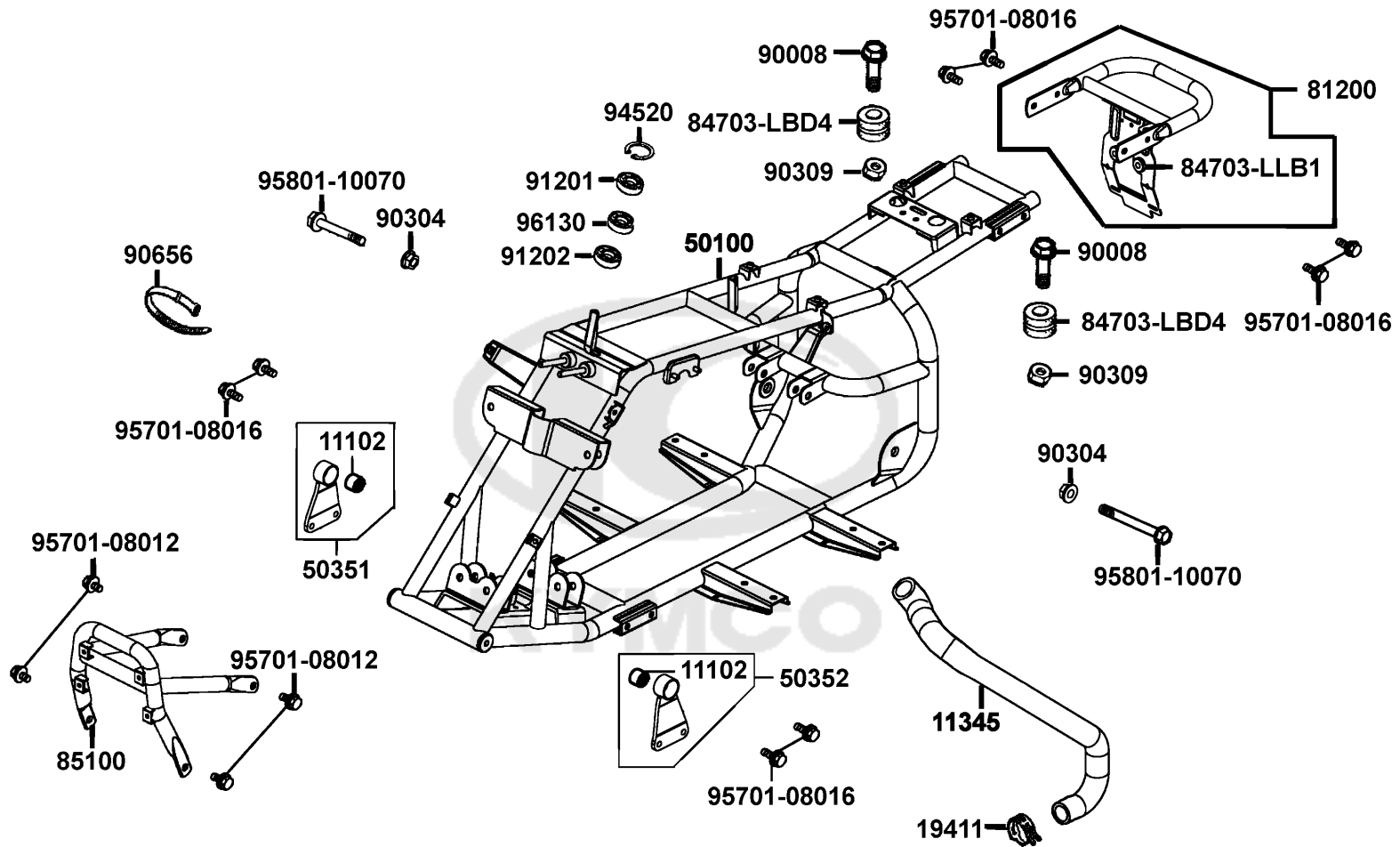


F17

Wire Harness



Sales mark	Ref no	Part no	Description	Reg description	Regd no	F17
	30400	30400-KHC4-900	CDI ASSY & SPEED CONTROL	CDI ASSY & SPEED CONTROL	1	
	3051A	3051A-LBD4-900	COIL ASSY IGN	COIL ASSY IGN	1	
	30700	30700-GFY6-901	CAP ASSY NOISE SUPPRESOR	CAP ASSY NOISE SUPPRESOR	1	
	31600	31600-LBD4-900	REG REC COMP	REG REC COMP	1	
	32100	32100-LBD4-600	HARNESS WIRE	HARNESS WIRE	1	
	32101	32101-LLB1-800	SUB CORD	SUB CORD	1	
#	35010	35010-LBA7-910	KEY SET	KEY SET	1	
#	35111-LLB1-325	35111-LLB1-335-M2	KEY COMP(R CUT)	KEY COMP(R CUT)	1	
#	35111-LLB1-326	35111-LLB1-336-M2	KEY COMP(L CUT)	KEY COMP(L CUT)	1	
	35400	35400-LBD4-800	RESISTOR COMP	RESISTOR COMP	1	
	38500	38500-KKDK-900	RELAY ASSY START	RELAY ASSY START	1	
	90112	90112-KRDR-900	BOLT FLANGE 5*22	BOLT FLANGE 5*22	1	
	90656	90656-KCBC-900	BAND OIL HANDLE	BAND OIL HANDLE	4	
	94050	94050-06080	NUT FLANGE 6MM	NUT FLANGE 6MM	2	
	98200	98200-10700	FUSE A7	FUSE A7	1	

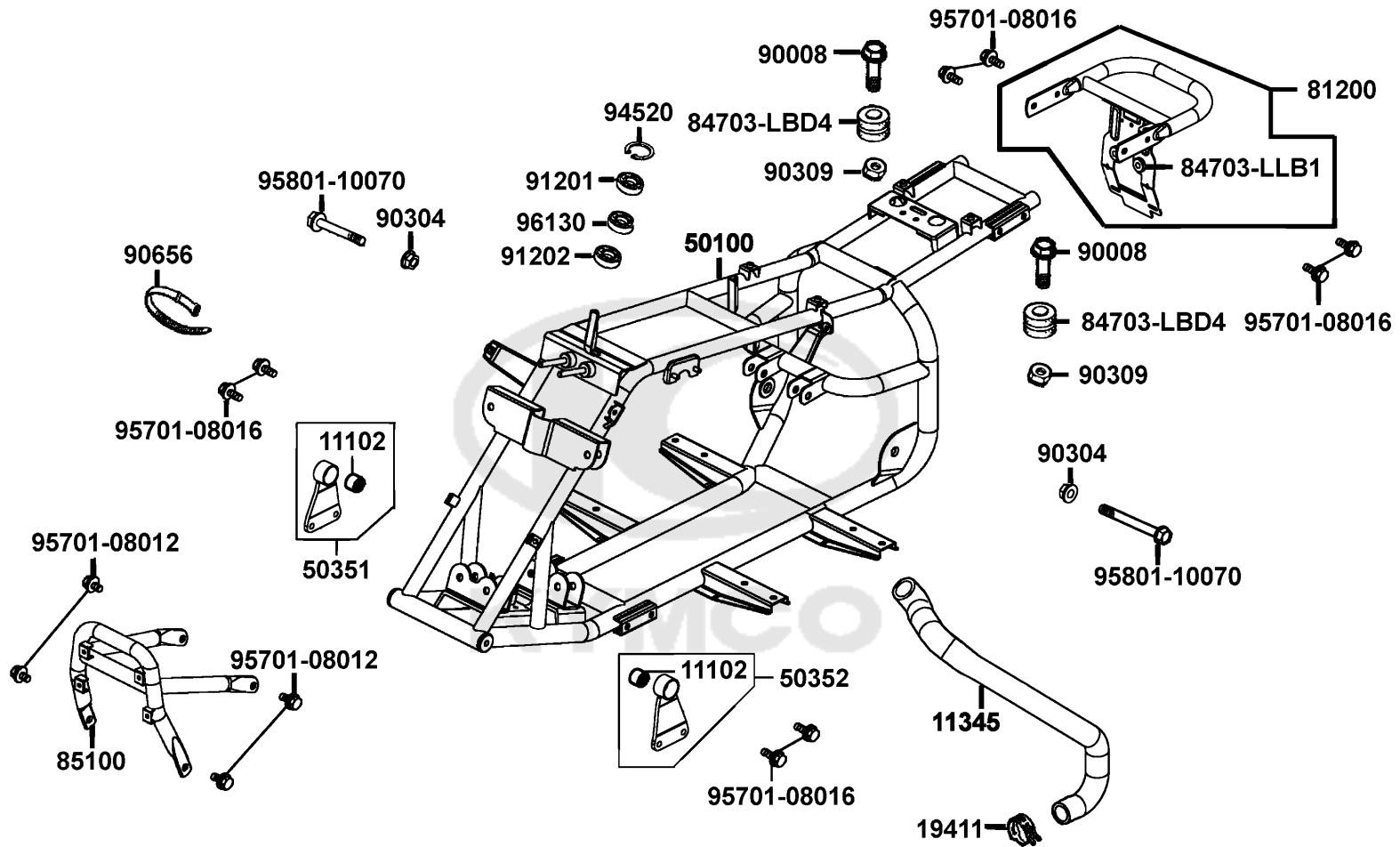




Sales mark	Ref no	Part no	Description	Reg description	Regd no	F18
	11102	11102-PWA6-900	RUB BUSH ENG HANGER	RUB BUSH ENG HANGER	2	
	11345	11345-LBD4-900	DOCT L COVER	DOCT L COVER	1	
	19411	19411-KNBN-900	CLIP HOSE	CLIP HOSE	1	
	50100	50100-LBD4-900	BODY COMP FRAME	BODY COMP FRAME	1	
	50351	50351-PWA6-900	BRKT R ENG HANGER	BRKT R ENG HANGER	1	
	50352	50352-PWA6-900	BRKT L ENG HANGER	BRKT L ENG HANGER	1	
	81200	81200-LBD4-900	GRIP ASSY REAR	GRIP ASSY REAR	1	
	84703-LBD4	84703-LBD4-900	RUBBER ENG REAR	RUBBER ENG REAR	2	
	84703-LLB1	84703-LLB1-900	RUBBER TAIL LIGHT	RUBBER TAIL LIGHT	2	
	85100	85100-LBD4-900	PIPE COMP FRONT BUMPER	PIPE COMP FRONT BUMPER	1	
	90008	90008-LBD4-900	BOLT FLANGE 8*45	BOLT FLANGE 8*45	2	
	90304	90304-GLW0-90A	NUT U FLANGE 10MM	NUT U FLANGE 10MM	2	
	90309	90309-GLW0-90A	NUT U FLANGE 8MM	NUT U FLANGE 8MM	2	
	90656	90656-KCBC-900	BAND OIL HANDLE	BAND OIL HANDLE	1	
	91201	91201-LLB1-900	OIL SEAL 18*32*7	OIL SEAL 18*32*7	1	
	91202	91202-LLB1-900	OIL SEAL 22*35*7	OIL SEAL 22*35*7	1	
	94520	94520-32180	CIR CLIP IN 32	CIR CLIP IN 32	1	
#	95701-08012	95701-08012-06	BOLT FLANGE 8*12	BOLT FLANGE 8*12	1	
	95701-08016	95701-08016-06	BOLT FLANGE 8*16	BOLT FLANGE 8*16	8	
	95801	95801-10070-06	BOLT FLANGE 10*70	BOLT FLANGE 10*70	2	

F18

Frame Body



Sales mark	Ref no	Part no	Description	Reg description	Regd no	<b>F18</b>
------------	--------	---------	-------------	-----------------	---------	------------

96130

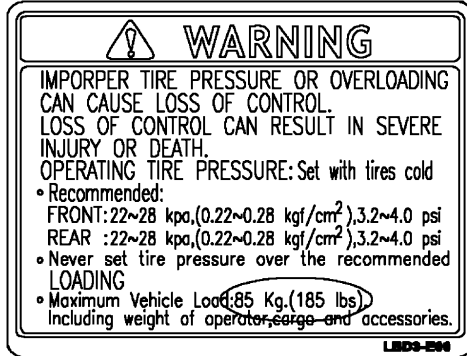
96130-60020-10

BEARING BALL RADIAL 6002

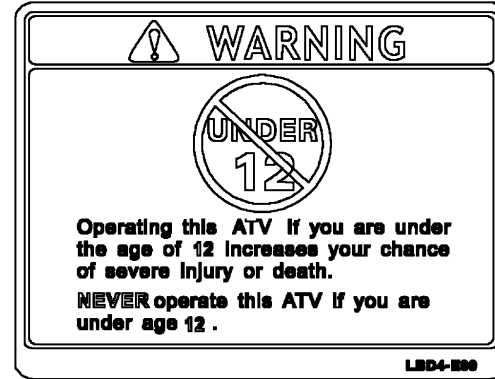
BEARING BALL RADIAL 6002

1

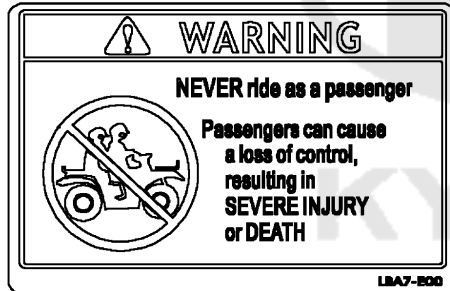




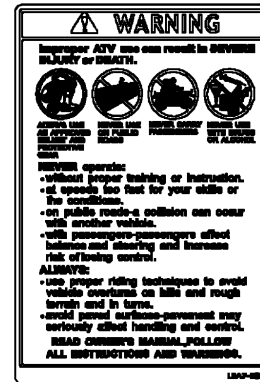
87505



87517



87560

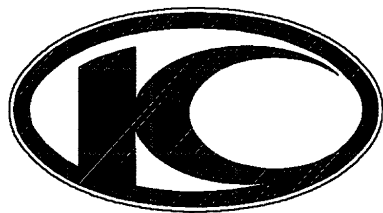


87515

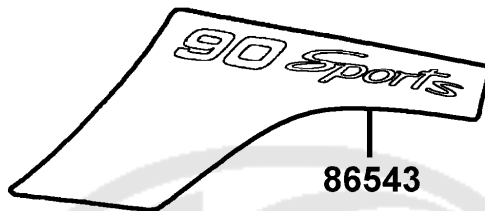
Sales mark	Ref no	Part no	Description	Reg description	Regd no	<b>F19</b>
------------	--------	---------	-------------	-----------------	---------	------------

**	87505	87505-LBD3-E00	LABEL TIRE	LABEL TIRE	1	
**	87515	87515-LBA7-E00	CAUTION LIST	CAUTION LIST	1	
**	87517	87517-LBD4-E00	CAUTION DRIVE AGE	CAUTION DRIVE AGE	1	
**	87560	87560-LBA7-E00	MARK DRIVE CAUTION	MARK DRIVE CAUTION	1	

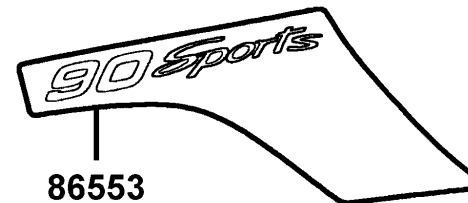




86102



86543



86553



86533



86523

Sales mark	Ref no	Part no	Description	Reg description	Regd no	<b>F20</b>
------------	--------	---------	-------------	-----------------	---------	------------

**	86102	86102-LBD4-900	STRIPE K-LOGO 25MM	STRIPE K-LOGO 25MM	1	
**	86523	86523-LBD3-M30	STRIPE R FR FENDER/Mongoose **(0)	STRIPE R FR FENDER/Mongoose **(0) C.2005	1	
**	86533	86533-LBD3-M30	STRIPE L FR FENDER/Mongoose **(0)	STRIPE L FR FENDER/Mongoose **(0) C.2005	1	
**	86543	86543-LBD4-E60	STRIPE B R FR FENDER	STRIPE B R FR FENDER	1	
**	86553	86553-LBD4-E60	STRIPE B L FR FENDER	STRIPE B L FR FENDER	1	



## PART NO. INDEX

PART NO.	VERSION	PAGE	PART NO.	VERSION	PAGE	PART NO.	VERSION	PAGE
<b>1000</b>			<b>11000</b>			<b>12000</b>		
100A-GE1H-0401	0	E09	11100-LBD4-900	0	E01	12100-LBD4-900	2	E03
1010-43FH-9900	0	E09	11102-LBD3-900	2	E01	12191-LBD4-900	1	E03
1011-GB1H-9010	0	E09	11102-PWA6-900	2	F18	12200-LBD4-900	1	E02
1014-KG8H-9010	0	E09	11107-LBD4-900	1	F12	12209-GDB4-68B	0	E02
1020-5LAH-9901	0	E09	11108-LBD4-900	0	F12	12211-KUDU-900	4	E02
1024-9QBH-9900	0	E09	11192-LBD4-900	1	E01	12251-LLF3-C00	0	E02
1031-KG8H-9010	0	E09	11200-LBD4-305	2	E01	12310-KHC4-B00	3	E02
1034-861-2000	0	E09	11203-GFY6-901	0	F13	12361-GFY6-901	1	E04
103J-095H-9910-SB0	0	E09	11203-LBD3-900	2	E01	12391-GFY6-941	0	E02
1051-GBGH-9600	0	E09	11203-LBD3-900	2	E05			
105B-034H-9910	0	E09	11203-LBD4-E00	1	E08	<b>13000</b>		
105J-GBZH-0000	0	E09	11205-GHAH-004	0	E01			
1113-135H-9901	0	E09	11206-LBD4-900	2	F12	13000-LBD4-900	4	E03
1114-006H-9900	0	E09	11221-KHC4-900	2	E05	13011-KEE1-900	0	E03
1238-141H-8810	0	E09	11330-LAB4-900	6	E04	13101-LBD4-900	1	E03
1300-416H-9900	0	E09	11341-KHC4-900	6	E01	13111-KEE1-900	1	E03
1300-847H-9900-K	0	E09	11342-LAB4-900	1	E01	13115-0A01-001	0	E03
1300-KG8H-Q010	0	E09	11345-LBD4-900	1	F18			
1305-234H-9900	0	E09	11385-KGBG-900	0	E07	<b>14000</b>		
1305-393H-9900	0	E09	11385-KHC4-900	2	E07			
			11394-LBD4-900	2	E04	14100-KHC4-220	1	E02
			11395-LBD4-900	1	E01	14401-KHC4-900	0	E03
						14431-GFY6-901	5	E02



## PART NO. INDEX

PART NO.	VERSION	PAGE	PART NO.	VERSION	PAGE	PART NO.	VERSION	PAGE
14450-GFY6-901	0	E02				1760A-LBD4-900	3	F09
14452-GFY6-901	0	E02	<b>16000</b>			1763A-LBD4-MY0	1	F09
14510-KHC4-900	1	E03				17720-LBD4-900	1	F09
14520-GFY6-90A	1	E03	16076-ND5-0040	0	E09	17910-LBD4-800	2	F02
14523-KED9-900	1	E03	1610K-LBD4-800	1	E09	17950-LBD4-800	2	F02
14531-GLR0-001	1	E03	16114-KG8-9010-M1	0	E09	17955-LBD4-800	0	F09
14610-KHC4-900	0	E03	16115-KG8-9010-M1	0	E09	<b>18000</b>		
14711-KHC4-900	1	E02	16119-MZ2-6000-K2	0	E09			
14721-KHC4-900	1	E02	16152-KG8-9010-M1	0	E09	18291-LBD4-900	2	F13
14751-KFBF-900	1	E02	16155-KG8-9010-M1	0	E09	18300-LBD4-800	4	F13
14761-KFBF-900	1	E02	16162-KG8-9010-M1	0	E09	18305-LBD4-900	5	F13
14771-GDB4-680	2	E02	1621A-LBD4-800	1	E02	<b>19000</b>		
14775-MFA6-001	0	E02	1691A-GFY6-90A	4	F09			
14781-MFA6-001	0	E02	16950-LLB1-910	2	F09			
<b>15000</b>			16952-LLB1-900	1	F09			
			<b>17000</b>			19411-KNBN-900	1	F18
15100-GFY6-901	2	E06				19510-GBW2-901	8	E07
15133-GFY6-901	0	E06	1711A-LBD4-800	2	E02	19600-LBD4-900	4	E07
15141-GFY6-90B	0	E06	17205-LLJ1-900	1	F12	19625-KHC4-900	0	E07
15141-GFY6-90C	1	E06	1720A-PWA3-900	3	F12	1962A-KHC4-900	2	E07
15421-1G07-001	1	E04	1720B-LBD4-900	3	F12	19633-GFY6-901	0	E07
15426-GAE1-921	0	E04	17212-LBD4-900	1	F12	1963A-KHC4-900	2	E07
1565A-GFY6-900	0	E04	17360-KGBG-900	0	F12	<b>21000</b>		
15711-GFY6-901	0	E06	17500-LBD4-900	2	F09			
15772-2B92-011	0	F12	17522-LLB1-900	1	F09	21200-LBD4-305	1	E08

## PART NO. INDEX

PART NO.	VERSION	PAGE	PART NO.	VERSION	PAGE	PART NO.	VERSION	PAGE
21395-LBD3-900	3	E08	23237-GCW3-001	0	E05			
			23239-GCW3-851	0	E05	<b>30000</b>		
<b>22000</b>			23411-KHC4-900	0	E08			
			23420-LAB4-900	6	E08	30400-KHC4-900	1	F17
22100-KNBN-902	1	E05	23431-LBD4-900	4	E08	3051A-LBD4-900	2	F17
22102-KHC4-900	4	E05	23432-LAB4-900	4	E08	30700-GFY6-901	3	F17
22105-KHC4-900	1	E05	23801-KYCY-900	0	E08			
22110-KHC4-900	1	E05	23811-KCR3-601	0	E08	<b>31000</b>		
22121-LBD4-900	3	E05						
22131-GCW3-901	1	E05	<b>28000</b>			31110-KHC4-90A	1	E07
22132-LAB4-900	1	E05				31110-KHC4-90B	1	E07
22300-LAB4-900	4	E05	28101-KNBN-901	1	E06	31110-KHC4-90C	1	E07
22350-KHC4-900	0	E05	28105-KNBN-901	1	E06	31120-LBD4-900	2	E07
22401-LAB4-900	3	E05	2811A-KNBN-940	0	E06	31120-LBD4-90A	2	E07
22530-KHC4-900	1	E05	28120-KNBN-901	0	E06	31120-LBD4-90B	2	E07
22804-1H48-001	0	E05	28125-3C23-001	0	E06	31200-LBD4-900	2	E06
			28126-KNBN-901	0	E06	31200-LBD4-90A	2	E06
<b>23000</b>			28127-KNBN-901	0	E06	31203-KHC4-900	3	E06
			28211-KNBN-901	0	E05	31500-KNBN-92A	9	F10
2301A-LAB4-900	4	E05	28223-KNBN-901	0	E01	31500-KNBN-92B	9	F10
23100-KHC4-900	1	E05	28230-KNBN-901	0	E01	31600-LBD4-900	4	F17
23200-GCW3-001	0	E05	28250-KNBN-901	1	E01			
23220-KHC4-900	1	E05	28253-GBN2-60A	0	E01	<b>32000</b>		
23225-GCW3-001	0	E05	28255-GFS6-001	0	E01			
23226-GCW3-001	0	E05	28281-GBN2-60A	1	E01	32100-LBD4-600	1	F17
23233-LAB4-900	2	E05	28300-LBD4-900	4	F14	32101-LLB1-800	1	F17

## PART NO. INDEX

PART NO.	VERSION	PAGE	PART NO.	VERSION	PAGE	PART NO.	VERSION	PAGE
<b>33000</b>			35400-LBD4-800	1	F17	42705-LBD4-900	6	F07
			<b>38000</b>			4270A-LBD4-900	2	F07
33100-LBD4-900	2	F01				42710-LBD4-900	4	F07
33120-LBD4-900	0	F01	38500-KKDK-900	4	F17	42710-LBD4-E00	1	F07
33130-LBD4-900	0	F01				42753-KNBN-90B	1	F06
33700-LLB1-900	3	F16	<b>40000</b>			42753-KNBN-90B	1	F07
33702-LLB1-900	0	F16				<b>43000</b>		
33703-LLB1-900	0	F16	40510-LBD4-800	1	E08			
33705-LLB1-900	0	F16	40530-LBD4-900	2	E08	43100-LLB1-800	6	F07
33710-LLB1-900	0	F16	40540-LBD4-900	3	F14	43126-LBD4-800	6	F03
			4054A-LBD4-900	1	F14	43156-LLB1-800	1	F15
<b>34000</b>			<b>41000</b>			43210-LLB1-305	2	F07
34901-KFA6-900	0	F01				43350-LBD4-800	3	F07
34906-KPCP-900	0	F16	41201-LBD4-900	1	F07	43351-KEBE-900	2	F07
			41211-LBD4-900	2	F07	43530-PVA2-305	1	F03
<b>35000</b>			<b>42000</b>			<b>44000</b>		
35010-LBA7-910	2	F17				44311-LBD4-900	1	F06
35111-LLB1-335-M2	0	F17	42302-LBD4-900	3	F07	4460A-LBD4-900	2	F06
35111-LLB1-336-M2	0	F17	42303-LBD4-900	2	F07	44620-LBD4-900	1	F06
35130-LBD4-900	4	F02	42305-LBD4-900	2	F07	44705-LBD4-900	4	F06
3520A-LBD4-900	4	F02	42311-LBD4-800	1	F07	44710-LBD4-900	3	F06
35340-LLB1-800	0	F02	42610-LBD4-800	3	F07	44710-LBD4-E00	1	F06
35350-KNBN-901	0	F03	42615-LBD4-900	1	F14			

## PART NO. INDEX

PART NO.	VERSION	PAGE	PART NO.	VERSION	PAGE	PART NO.	VERSION	PAGE
<b>45000</b>			47501-LBD4-900	2	F15	<b>53000</b>		
45100-LBD4-900	2	F06	<b>50000</b>			53100-LBD4-900	8	F02
45105-KFA6-305	0	F07	50100-LBD4-900	5	F18	53102-LBD4-900	1	F02
45107-KFA6-900	0	F07	50328-LBD4-900	1	F10	53105-KNBN-910	1	F02
45109-KFA6-900	0	F07	50351-PWA6-900	1	F18	53130-LBD4-900	2	F02
4512A-LAC5-900	2	F06	50352-PWA6-900	1	F18	53131-LBD4-900	2	F02
45133-LAC5-900	1	F06	50360-LBD4-E00	1	E05	53132-LBD4-900	2	F02
45141-LBD4-900	1	F06	50612-LBD4-900	3	F11	53160-LLB1-800	0	F02
45410-LBD4-900	1	F06	<b>51000</b>			53161-LLB1-800	0	F02
45435-LBD4-900	0	F06	51400-LBD4-900	2	F15	53162-LLB1-800	0	F02
45450-LBD4-900	3	F02	<b>52000</b>			53166-PTA7-900	3	F02
45513-GLW0-91A	0	F03	52000-LBD4-900	3	F15	53170-LLB1-800	0	F02
45517-KFAF-900	0	F03	52101-LBD4-900	1	F15	53175-LLB1-800	0	F02
45520-GLW0-91A	0	F03	52105-LBD4-900	0	F15	53178-KEBE-900	0	F03
<b>46000</b>			52108-LBD4-900	1	F15	5317A-LLB1-800	9	F02
46100-LBD4-900	2	F06	52144-LBA7-900	1	F15	53185-LLB1-800	0	F02
46410-LBD4-900	1	F06	52400-LBD4-900	3	F15	53189-LLB1-800	0	F02
<b>47000</b>						53192-LLB1-800	0	F02
47401-LBD4-900	2	F15				53194-LLB1-800	0	F02
47410-LBD4-900	2	F07				53195-LLB1-800	0	F02
						53196-LLB1-800	0	F02
						53197-LLB1-800	0	F02
						53198-LLB1-800	0	F02
						53199-LLB1-800	0	F02

## PART NO. INDEX

PART NO.	VERSION	PAGE	PART NO.	VERSION	PAGE	PART NO.	VERSION	PAGE
53200-LBD4-900	8	F05						
53205-LBD4-900	1	F02	<b>64000</b>			<b>84000</b>		
53207-LBD4-900	1	F02						
53251-LBD4-900	1	F05	64222-LLJ3-E00	1	F11	84703-LBD4-900	1	F18
53254-LBD4-900	3	F05	64302-LBD4-910	1	F04	84703-LLB1-900	1	F18
53400-LBD4-900	2	F15						
53402-LBD4-900	1	F15	<b>77000</b>			<b>85000</b>		
53403-LBD4-900	1	F15						
53404-LBD4-900	1	F15	77200-LBD4-900	3	F08	85100-LBD4-900	1	F18
53406-LBD4-900	1	F15	77200-PWA3-900	4	F08			
53407-LBD4-900	1	F15				<b>86000</b>		
53500-LBD4-900	2	F15	<b>80000</b>					
53700-LBD4-900	2	F05				86102-LBD4-900	1	F20
53701-LBD4-900	1	F05	80100-LBD4-900	7	F11	86523-LBD3-M30	2	F20
53702-LBD4-900	0	F05	80110-LBA7-900	1	F11	86533-LBD3-M30	2	F20
53703-LBD4-900	0	F05	80125-LBD4-900	1	F11	86543-LBD4-E60	1	F20
53800-LBD4-900	2	F05	8012A-LBD4-910	1	F11	86553-LBD4-E60	1	F20
			8012B-LBD4-910	1	F11			
<b>60000</b>			<b>81000</b>			<b>87000</b>		
60100-LBD4-900	4	F04				87505-LBD3-E00	3	F19
			81200-LBD4-900	3	F18	87515-LBA7-E00	1	F19
<b>61000</b>			<b>83000</b>			87517-LBD4-E00	2	F19
61104-3G57-001	0	F09				87560-LBA7-E00	1	F19
61104-3G57-001	0	F16	8350A-LBD4-910	1	F11			

## PART NO. INDEX

PART NO.	VERSION	PAGE	PART NO.	VERSION	PAGE	PART NO.	VERSION	PAGE
<b>89000</b>			90202-1G87-001	2	E05	90501-LBD4-900	1	F06
			90206-0A01-001	2	E02	90502-LBD4-900	2	F07
			90301-GFY6-901	2	F13	90502-LLB1-900	1	F07
89010-LBD4-900	3	F08	90301-LLB1-800	0	F02	90502-MBS2-001	0	E06
89020-KKC4-900	1	F08	90302-GFY6-901	1	F10	9052A-GFY6-950	4	E01
<b>90000</b>			90302-GFY6-940	1	F02	90545-3L00-001	2	F03
			90304-GLW0-90A	1	F15	90602-PDX4-001	0	E06
			90304-GLW0-90A	1	F18	90603-0D44-001	0	E05
90001-GBHB-661	3	E03	90304-LBD4-900	2	F05	90610-LLJ1-900	2	F12
90005-KAW1-901	1	E03	90304-LBD4-900	2	F06	90652-KTCT-900	1	F12
90008-LBD4-900	2	F18	90304-LBD4-900	2	F07	90656-KCBC-900	0	F17
90012-3C33-001	1	E02	90305-GHE8-004	1	F05	90656-KCBC-900	0	F18
90031-KHC4-900	0	E01	90305-GHE8-004	1	F15	90741-0E35-001	0	E03
90032-KHC4-900	0	E01	90305-GHK8-001	1	E07	90754-LLB1-900	1	F06
90033-GFY6-900	1	E02	90305-GHK8-001	1	F11			
90105-LBD4-900	2	F07	90309-4H28-73A	0	E05	<b>91000</b>		
90110-LLB1-800	2	F04	90309-GLW0-90A	1	F18			
90110-LLB1-800	2	F11	90309-KLF0-004	1	E08	91001-GGA7-70A	2	E05
90112-KRDR-900	1	F17	90321-LLB1-800	0	F02	91004-KBN2-90A	0	E08
90112-LBD4-800	1	F07	90412-3K29-001	0	E01	91005-KNBN-901	0	E06
90114-1F66-007	2	F03	90429-KNBN-901	0	E08	91009-GLE0-004	1	E08
90115-LLB1-800	0	F02	90442-0D44-001	0	E05	91101-KNBN-901	0	E06
90121-LBA7-900	3	F15	90451-1G07-001	1	E08	91103-GAR1-004	0	E05
90122-LLB1-800-06	2	F07	90451-GBN2-601	0	E01	91106-KHC4-90A	0	E01
90145-MKS9-61A	1	F03	90465-MDC4-001	0	E02	91106-KHC4-90B	0	E01
90201-KNBN-901	0	E06	90488-7L00-001	0	E01	91201-LLB1-900	2	F18

## PART NO. INDEX

PART NO.	VERSION	PAGE	PART NO.	VERSION	PAGE	PART NO.	VERSION	PAGE
91202-GFY6-90B	1	E01						
91202-GFY6-90B	1	E04	<b>93000</b>			<b>94000</b>		
91202-KKJ9-004	0	E01						
91202-LLB1-900	1	F18	93191-LLB1-800	0	F02	94001-05070-0S	0	F02
91211-GHK8-014	1	E05	93404-06016-06	0	F04	94001-08080-0S	0	F14
91254-LBD4-800	0	F07	93404-06016-06	0	F11	94001-10080-0S	0	F02
91255-GLE0-006	0	E08	93404-06020-06	1	F11	94001-LLB1-800	2	F05
91301-OC53-001	0	E08	93404-KKC2-900	1	F11	94001-LLB1-900	2	F05
91301-GLR0-005	1	E03	93404-LBD4-900	2	F13	94011-12080-0S	0	F15
91302-0A01-021	0	E04	93500-03008-0G	0	F02	94011-LBD4-900	1	F15
91304-GHC8-004	0	E02	93500-03010-0F	0	E06	94011-LLB1-900	4	F06
91304-KHC4-900	0	E02	93500-04016-0G	0	F02	94011-LLB1-900	4	F07
91306-1E05-691	0	E03	93500-05014-0G	0	F02	94050-06060	0	F03
91307-0E35-001	0	E04	93500-05016-1B	0	F09	94050-06080	0	E02
91351-6B42-000	0	E05	93600-04012-1G	0	F03	94050-06080	0	E06
91351-GAR1-001	0	E05	93892-04008-16	0	E09	94050-06080	0	F09
			93892-04014-18-3	0	E09	94050-06080	0	F16
<b>92000</b>			93892-05010-18	0	E09	94050-06080	0	F17
			93893-04012-18	0	F03	94050-08080	0	E02
92000-06010-0G	0	E08	93903-25460	0	F12	94050-10080	0	E05
92101-05012-0G	0	E07	93903-35360	0	F01	94050-10080	0	E07
92101-10040-0G	0	F15	93903-35360	0	F11	94050-10080	0	F15
92900-LBD4-0B	1	E02	93904-35360	0	E07	94050-12080	0	E05
92918-LBD4-900	2	F06				94050-LDE9-E00	1	F04
						94050-LDE9-E00	1	F11
						94101-08800	0	F14

## PART NO. INDEX

PART NO.	VERSION	PAGE	PART NO.	VERSION	PAGE	PART NO.	VERSION	PAGE
94101-12800	0	F07	95002-41300-00	0	F09	95701-08060-06	0	E01
94102-10600	0	F02	95002-50000	0	F12	95701-LLB1-800	0	F02
94111-08800	0	F07	9500C-LBD3-900	2	F09	95801-08016-06	0	F14
94111-08800	0	F14	9500E-LBD4-800	0	F09	95801-08065-06	0	F05
94201-20200	0	F15	95701-05024-08	0	F06	95801-10040-06	0	F15
94201-25200	0	F05	95701-06010-06	1	F15	95801-10050-06	1	F15
94201-30250	0	F05	95701-06012-06	1	F02	95801-10070-06	1	F18
94201-30250	0	F06	95701-06012-06	1	F12	95801-LLB1-900-06	3	F07
94201-30250	0	F07	95701-06016-06	1	F02			
94201-30250	0	F15	95701-06022-06	1	F03	<b>96000</b>		
94301-08140	0	E01	95701-06022-06	1	F12			
94301-08140	0	E04	95701-06022-06	1	F14	96001-06010-06	0	E08
94301-10160	0	E02	95701-06025-06	2	E02	96001-06012-06	0	E05
94301-10160	0	E03	95701-06030-06	0	F12	96001-06012-06	0	E06
94301-10200	0	E08	95701-06035-06	1	E02	96001-06016-06	0	E07
94303-04065	0	E06	95701-06050-06	0	E02	96001-06020-06	0	E07
94510-20000	0	E08	95701-08012-06	0	E01	96001-06020-06	0	F09
94511-14000	0	E01	95701-08012-06	0	F14	96001-06025-06	0	E02
94520-24000	1	E05	95701-08012-06	0	F18	96001-06025-06	0	E06
94520-32180	0	F18	95701-08016-06	0	F11	96001-06025-06	0	E07
			95701-08016-06	0	F13	96001-06028-06	0	E01
<b>95000</b>			95701-08016-06	0	F18	96001-06035-06	0	E01
			95701-08020-06	1	F07	96001-06045-06	0	E01
95002-02080	0	F09	95701-08035-06	1	F13	96001-06085-06	1	E04
95002-02100	0	F09	95701-08045-06	1	E01	96001-06095-06	0	E02
95002-02130	0	F12	95701-08050-06	0	E05	96001-06100-06	0	E04



## PART NO. INDEX

PART NO.	VERSION	PAGE	PART NO.	VERSION	PAGE	PART NO.	VERSION	PAGE
96001-GFY6-900	1	E01	S785-0820	0	E09			
96100-62033-00	0	E01						
96100-62043-00	0	E01	<b>W</b>					
96120-60060-10	0	F07						
96130-60020-10	0	F18	W9119-03550	0	E09			
96150-60020-10	0	F06	W9351-24250	0	E09			
96150-60030-10	0	F06	W9526-40000	0	E09			
96201-10000	0	F15	W9535-25000	0	E09			
96202-LBD4-900	0	F15						
96220-60100	0	E06						
96600-06012-10	0	E06						
96600-06020-06	0	F02						
96700-06025-06	1	F02						
<b>98000</b>								
98056-57713-00	1	E02						
98200-10700	0	F17						
<b>99000</b>								
99101-116-0780	0	E09						
<b>S</b>								
S785-0531	0	E09						