

PARTS CATALOGUE



ATV

LB70AD(CL)

MAXXER 400



Release Date : 2014/11/23
Print Date : 2015/02/13

ABOUT THIS PARTS LIST

- This parts list is compiled all service parts for model LB70AD(CL).
- Any difference between color chart and motorcycle will be revised according to motorcycle.
- The Mark:
 1. Marking "***" must add color code in the end before ordering parts.
 2. Marking "#" are parts with modification, Please find the details from e-Parts system.
- When modification or additions to this parts list are made a revised edition at an appropriate time.



CONTENTS

● ABOUT THIS PARTS LIST	1
● COLOR CHART OF LB70AD(CL)	3
● CONTENTS-ENGINE GROUP	11
● CONTENTS-FRAME GROUP	13
● ENGINE PARTS LIST	16
● FRAME PARTS LIST	66
● PART NO. INDEX	146

NO	MODEL			COLOR CHART OF LB70AD(CL)			
	PHOTO NO			NO. 1	NO. 2	NO. 3	NO. 4
	BASIC COLOR			Blue	Deep Blue	Sunbeam Red	White
	CODE			Blue	Deep Blue	Sunbeam Red	White
	PARTS NAME	PARTS NO.	VERSION	PB090SA	PB246SA	RR342SA	NH195SA
1	TAIL CAP MUFFLER	18306-LGN5-E00	0	HZF			
2	EXHAUST.ASSY.	1830A-LGN5-E00	4				
3	COVER R GRILLE	64303-LGN5-E00	4				
4	COVER L GRILLE	64313-LGN5-E00	4				
5	BUMPER FRONT	85100-LGN5-E00	4				
6	LEVER COMP BRAKE	46500-LGN5-E00	2	MAS			
7	A-ARM. FRONT-UPPER-	53400-LGN5-E00	5	MBS			
8	A-ARM ASSY FRONT	53450-LGN5-E00	7				
9	A-ARM FRONT-UPPER-	53500-LGN5-E00	5				
10	A-ARM ASSY FRONT	53550-LGN5-E00	7				
11	CONTROL ARM RH/LH	54400-PWB1-E00	2				
12	A-ARM RH/LH LWR	54450-LGN5-E00	3				
13	CONTROL ARM RH/LH	54500-PWB1-E00	2				
14	A-ARM RH/LH LWR	54550-LGN5-E00	3				
15	SHIELD HEAT	17560-LGC7-E00	1	N1R			
16	DUCT.COOLING AIR	19102-LGN5-E01	1				
17	TRAY ELECTRICAL	31605-PWB1-900	3				
18	CASE BATTERY	50325-LGN5-E00	1				
19	COVER BATTERY	50326-LGN5-E00	0				
20	PANEL SPLASH-RIGHT	60130-PWB1-910	1				
21	PANEL.SPLASH-LEFT	60140-PWB1-E01	1				
22	COVER WATERPROOF	60150-LFA5-E01	1				
23	PLATE SKID	64300-PWB1-910	1				
24	GRILL FRONT	64304-LGN5-E01	1				
25	GUARD R BOOT	64330-LFE9-E00	2				
DATE OF STARTING-SALES							
DATE OF END-SALES							

NO	MODEL			COLOR CHART OF LB70AD(CL)			
	PHOTO NO			NO. 5	NO. 6		
	BASIC COLOR			Black	Lime Green		
	CODE			Black	Lime Green		
	PARTS NAME	PARTS NO.	VERSION	NH001SA	GG144SA		
1	TAIL CAP MUFFLER	18306-LGN5-E00	0	HZF			
2	EXHAUST.ASSY.	1830A-LGN5-E00	4				
3	COVER R GRILLE	64303-LGN5-E00	4				
4	COVER L GRILLE	64313-LGN5-E00	4				
5	BUMPER FRONT	85100-LGN5-E00	4				
6	LEVER COMP BRAKE	46500-LGN5-E00	2	MAS			
7	A-ARM. FRONT-UPPER-	53400-LGN5-E00	5	MBS			
8	A-ARM ASSY FRONT	53450-LGN5-E00	7				
9	A-ARM FRONT-UPPER-	53500-LGN5-E00	5				
10	A-ARM ASSY FRONT	53550-LGN5-E00	7				
11	CONTROL ARM RH/LH	54400-PWB1-E00	2				
12	A-ARM RH/LH LWR	54450-LGN5-E00	3				
13	CONTROL ARM RH/LH	54500-PWB1-E00	2				
14	A-ARM RH/LH LWR	54550-LGN5-E00	3				
15	SHIELD HEAT	17560-LGC7-E00	1	N1R			
16	DUCT.COOLING AIR	19102-LGN5-E01	1				
17	TRAY ELECTRICAL	31605-PWB1-900	3				
18	CASE BATTERY	50325-LGN5-E00	1				
19	COVER BATTERY	50326-LGN5-E00	0				
20	PANEL SPLASH-RIGHT	60130-PWB1-910	1				
21	PANEL.SPLASH-LEFT	60140-PWB1-E01	1				
22	COVER WATERPROOF	60150-LFA5-E01	1				
23	PLATE SKID	64300-PWB1-910	1				
24	GRILL FRONT	64304-LGN5-E01	1				
25	GUARD R BOOT	64330-LFE9-E00	2				
DATE OF STARTING-SALES							
DATE OF END-SALES							

NO	MODEL			COLOR CHART OF LB70AD(CL)			
	PHOTO NO			NO. 1	NO. 2	NO. 3	NO. 4
	BASIC COLOR			Blue	Deep Blue	Sunbeam Red	White
	CODE			Blue	Deep Blue	Sunbeam Red	White
	PARTS NAME	PARTS NO.	VERSION	PB090SA	PB246SA	RR342SA	NH195SA
26	GUARD L BOOT	64340-LFE9-E01	1	N1R			
27	MUDGUARD R FLOOR	80121-LGN5-E01	1				
28	MUDGUARD L FLOOR	80122-LGN5-E01	1				
29	MUDGUARD FR R	80123-LGN5-E01	1				
30	SHIELD REAR	80130-PWB1-E00	2				
31	COVER GEARBOX	80300-LGN5-E01	1				
32	GUARD COVER R TAIL	80305-LGN5-900	2				
33	GUARD COVER L TAIL	80306-LGN5-900	2				
34	COVER.R TAIL LIGHT	80307-LGN5-E01	1				
35	COVER.L TAIL LIGHT	80308-LGN5-E01	1				
36	GUARD R RR BOOT	80330-LGN5-E01	1				
37	GUARD L RR BOOT	80340-LGN5-E01	1				
38	MIRROR ASSY R BACK	88110-LDF3-E01	1				
39	MIRROR ASSY L BACK	88120-LDF3-E01	1				
40	CALIPER ASSY REAR	43100-LFA5-E00	2	NJA			
41	COVER TANK	17700-LGN5-E00	0				
42	COVER HANDLE	53205-LGN5-E00	0	C7R CHR EER HGR			
43	FENDER FRONT	60100-LGN5-E00	2				
44	FENDER REAR	80100-LGN5-E00	4				
45	COVER A R SIDE	83500-LGN5-E00	1				
46	COVER A L SIDE	83600-LGN5-E00	1				
47	COVER FRONT	64301-LGN5-Y00	3				
48	COVER B R SIDE	83510-LGN5-Y00	3				
49	COVER B L SIDE	83610-LGN5-Y00	3				
50	STRIPE K-LOGO 28.5MM	86102-LDB5-900	3				
DATE OF STARTING-SALES							
DATE OF END-SALES							

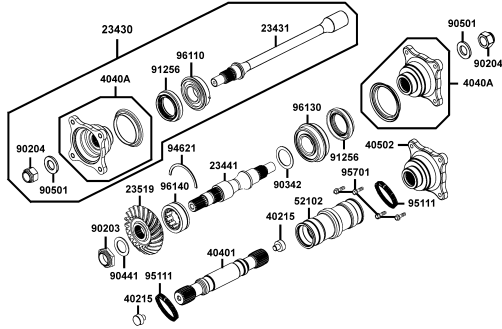
NO	MODEL			COLOR CHART OF LB70AD(CL)							
	PHOTO NO			NO. 5	NO. 6						
	BASIC COLOR			Black	Lime Green						
	CODE			Black	Lime Green						
	PARTS NAME	PARTS NO.	VERSION	NH001SA	GG144SA						
26	GUARD L BOOT	64340-LFE9-E01	1	N1R							
27	MUDGUARD R FLOOR	80121-LGN5-E01	1								
28	MUDGUARD L FLOOR	80122-LGN5-E01	1								
29	MUDGUARD FR R	80123-LGN5-E01	1								
30	SHIELD REAR	80130-PWB1-E00	2								
31	COVER GEARBOX	80300-LGN5-E01	1								
32	GUARD COVER R TAIL	80305-LGN5-900	2								
33	GUARD COVER L TAIL	80306-LGN5-900	2								
34	COVER.R TAIL LIGHT	80307-LGN5-E01	1								
35	COVER.L TAIL LIGHT	80308-LGN5-E01	1								
36	GUARD R RR BOOT	80330-LGN5-E01	1								
37	GUARD L RR BOOT	80340-LGN5-E01	1								
38	MIRROR ASSY R BACK	88110-LDF3-E01	1					N8P			
39	MIRROR ASSY L BACK	88120-LDF3-E01	1								
40	CALIPER ASSY REAR	43100-LFA5-E00	2	NJA							
41	COVER TANK	17700-LGN5-E00	0								
42	COVER HANDLE	53205-LGN5-E00	0	N1R	Q2R						
43	FENDER FRONT	60100-LGN5-E00	2								
44	FENDER REAR	80100-LGN5-E00	4								
45	COVER A R SIDE	83500-LGN5-E00	1								
46	COVER A L SIDE	83600-LGN5-E00	1								
47	COVER FRONT	64301-LGN5-Y00	3								
48	COVER B R SIDE	83510-LGN5-Y00	3	T01							
49	COVER B L SIDE	83610-LGN5-Y00	3								
50	STRIPE K-LOGO 28.5MM	86102-LDB5-900	3								
DATE OF STARTING-SALES											
DATE OF END-SALES											

NO	MODEL			COLOR CHART OF LB70AD(CL)			
	PHOTO NO			NO. 1	NO. 2	NO. 3	NO. 4
	BASIC COLOR			Blue	Deep Blue	Sunbeam Red	White
	CODE			Blue	Deep Blue	Sunbeam Red	White
	PARTS NAME	PARTS NO.	VERSION	PB090SA	PB246SA	RR342SA	NH195SA
51	EMB GEAR REVERAL	86302-LFA5-E00	2	T01			
52	LABEL TIRE ON ROAD	87505-LGN5-E01	1				
53	CAUTION MAX/MUM	87514-LGN5-E02	1				
54	DRIVE WARNING LIST-	87515-LDB5-E01	2				
55	CAUTION DRIVE AGE 16	87517-LDB5-E00	2				
56	DECAL DIAMOND	87701-LGN5-E60	2				
57	DECAL DIAMOND	87702-LGN5-E60	2				
58	DECAL DIAMOND	87703-LGN5-E60	2				
59	DECAL DIAMOND	87704-LGN5-E60	2				
60	DECAL DIAMOND	87705-LGN5-E60	3				
61	DECAL DIAMOND	87706-LGN5-E60	3	T02		T01	
62	SEAT ASSY	77200-LGN5-E00	6	T02		T01	
63	CAUTION SHIFIT GEARS	87322-LBA7-E00	3	T01			T02
64	STRIPE KYMCO-125mm	87503-LGN5-900	1	T01	T03	T01	T02
65	STRIPE KYMCO-185mm	87503-LGN5-910	1	T06			
66	STRIPE R FENDER	86523-LGN5-E60	2				
67	STRIPE L FENDER	86533-LGN5-E60	2				
68	STRIPE B R FENDER	86543-LGN5-E60	5				
69	STRIPE B L FENDER	86553-LGN5-E60	5				
70	STRIPE R FENDER	86623-LGN5-E60	3				
71	STRIPE L FENDER	86633-LGN5-E60	3				
72	STRIPE B R FENDER	86643-LGN5-E60	6				
73	STRIPE B L FENDER	86653-LGN5-E60	6				
74	STRIPE C R FENDER	86663-LGN5-E60	3				
75	STRIPE C L FENDER	86673-LGN5-E60	3	T04		T01	T02
DATE OF STARTING-SALES							
DATE OF END-SALES							

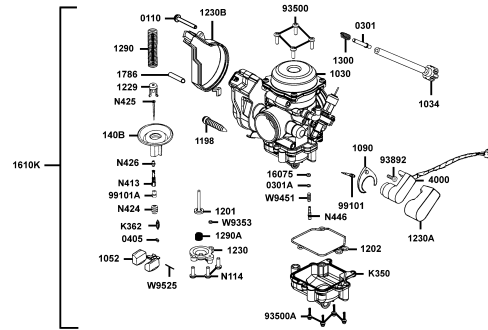
NO	MODEL			COLOR CHART OF LB70AD(CL)			
	PHOTO NO			NO. 5	NO. 6		
	BASIC COLOR			Black	Lime Green		
	CODE			Black	Lime Green		
	PARTS NAME	PARTS NO.	VERSION	NH001SA	GG144SA		
51	EMB GEAR REVERAL	86302-LFA5-E00	2	T01			
52	LABEL TIRE ON ROAD	87505-LGN5-E01	1				
53	CAUTION MAX/MUM	87514-LGN5-E02	1				
54	DRIVE WARNING LIST-	87515-LDB5-E01	2				
55	CAUTION DRIVE AGE 16	87517-LDB5-E00	2				
56	DECAL DIAMOND	87701-LGN5-E60	2				
57	DECAL DIAMOND	87702-LGN5-E60	2				
58	DECAL DIAMOND	87703-LGN5-E60	2				
59	DECAL DIAMOND	87704-LGN5-E60	2				
60	DECAL DIAMOND	87705-LGN5-E60	3				
61	DECAL DIAMOND	87706-LGN5-E60	3				
62	SEAT ASSY	77200-LGN5-E00	6				
63	CAUTION SHIFIT GEARS	87322-LBA7-E00	3				
64	STRIPE KYMCO-125mm	87503-LGN5-900	1				
65	STRIPE KYMCO-185mm	87503-LGN5-910	1	T05	T03		
66	STRIPE R FENDER	86523-LGN5-E60	2				
67	STRIPE L FENDER	86533-LGN5-E60	2				
68	STRIPE B R FENDER	86543-LGN5-E60	5				
69	STRIPE B L FENDER	86553-LGN5-E60	5				
70	STRIPE R FENDER	86623-LGN5-E60	3				
71	STRIPE L FENDER	86633-LGN5-E60	3				
72	STRIPE B R FENDER	86643-LGN5-E60	6				
73	STRIPE B L FENDER	86653-LGN5-E60	6				
74	STRIPE C R FENDER	86663-LGN5-E60	3				
75	STRIPE C L FENDER	86673-LGN5-E60	3				
DATE OF STARTING-SALES							
DATE OF END-SALES							

CONTENTS - ENGINE GROUP

E10 Shaft Drive Front



E11 Carburetor

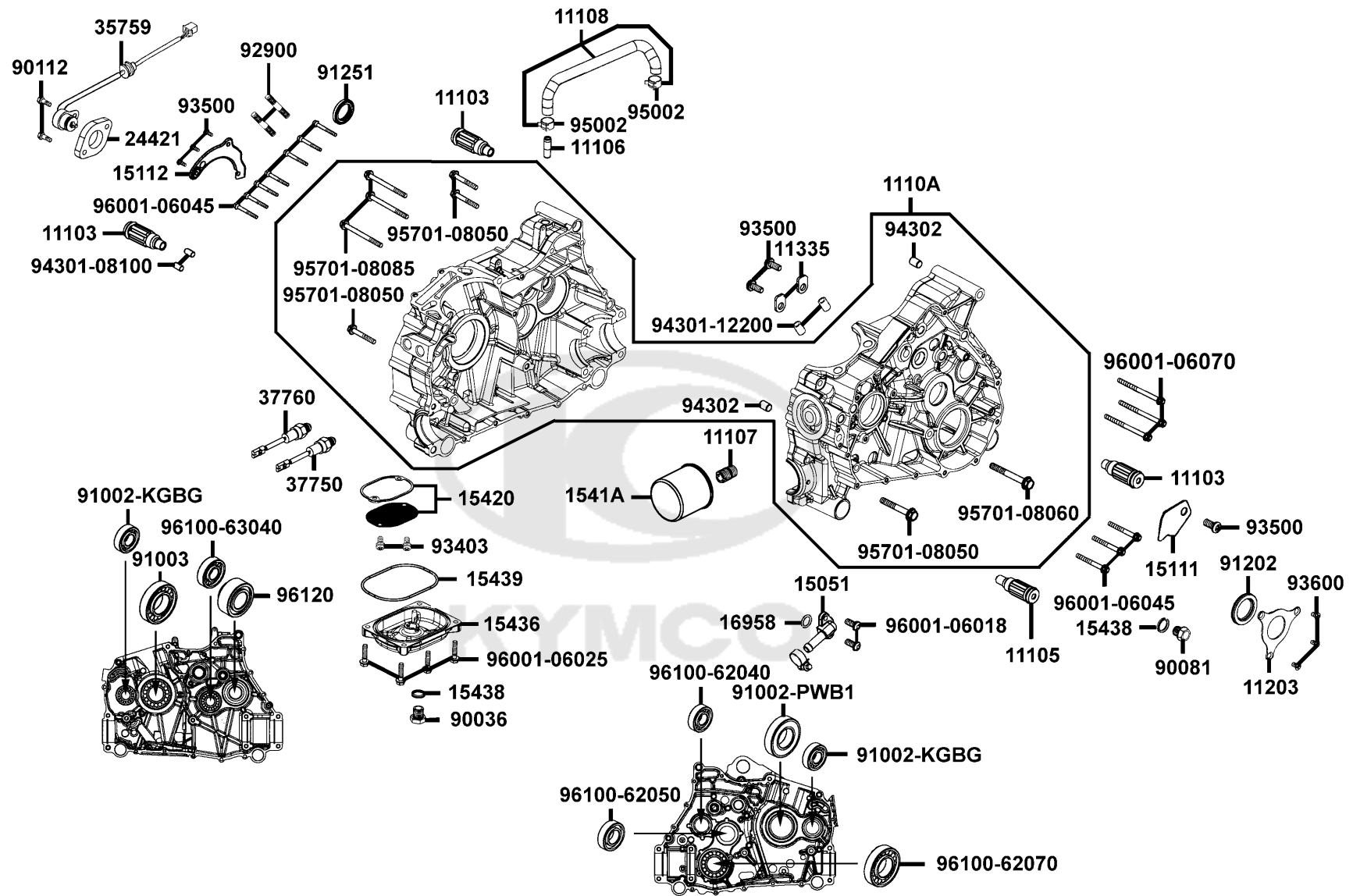


CONTENTS - FRAME GROUP

<p>F10 Fuel Tank</p>	<p>F11 Battery</p>	<p>F12 Fender Rear Mudguard Floor</p>
<p>F13 Air Box Cyclonic</p>	<p>F14 Exhaust Muffler</p>	<p>F15 Fwd / Rev Shift Assy Master</p>

E01

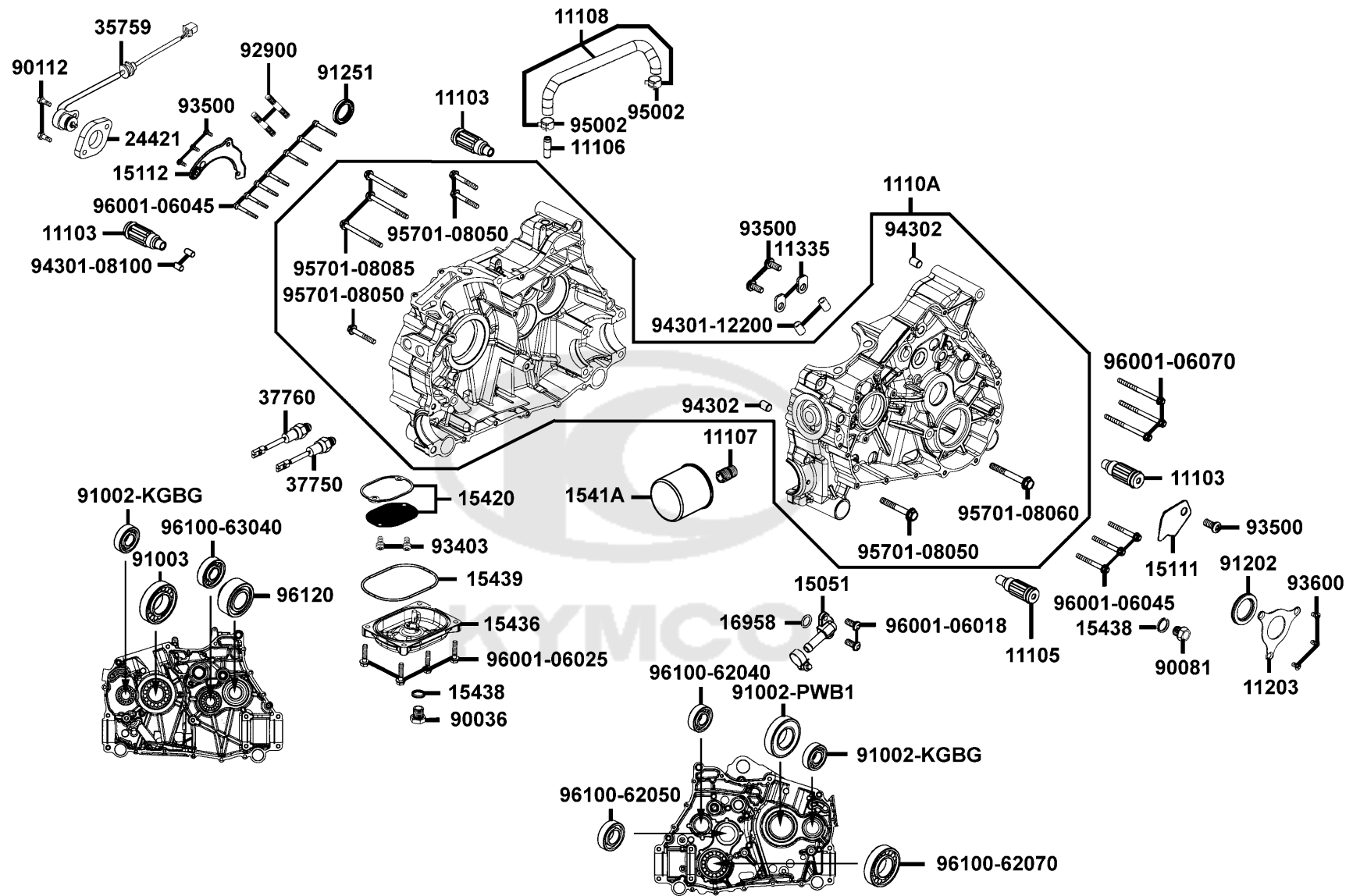
Right Crank Case



Sales mark	Ref no	Part no	Description	Reg description	Regd no	E01
	11103	11103-PWB1-900	BUSH ENG HANGER	BUSH ENG HANGER	3	
	11105	11105-PWB1-900	LONG RUB BUSH ENG HANGER	LONG RUB BUSH ENG HANGER	1	
	11106	11106-PWB1-900	PIPE BREATHER	PIPE BREATHER	1	
	11107	11107-PWB1-900	PIPE OIL	PIPE OIL	1	
	11108	11108-PWB1-900	HOSE CRANK CASE VENT	HOSE CRANK CASE VENT	1	
	1110A	1110A-PWB1-900	CASE R/L ASSY	CASE R/L ASSY	1	
	11203	11203-PWB1-900	RETAINER CRANKSHAFT OIL SEAL	RETAINER CRANKSHAFT OIL SEAL	1	
	11335	11335-PWB1-900	RETAINER BEARING	RETAINER BEARING	2	
	15051	15051-PWB1-900	FITTING OIL	FITTING OIL	1	
	15111	15111-PWB1-900	PLATE OIL GUIDE LEFT	PLATE OIL GUIDE LEFT	1	
	15112	15112-PWB1-900	PLATE OIL GUIDE RIGHT	PLATE OIL GUIDE RIGHT	1	
	1541A	1541A-PWB1-900	ELEMENT COMP OIL FILTER	ELEMENT COMP OIL FILTER	1	
	15420	15420-PWB1-900	STRAINER OIL	STRAINER OIL	1	
	15436	15436-PWB1-900	CAP OIL STRAINER	CAP OIL STRAINER	1	
	15438	15438-PWB1-900	GASKET METAL COMPRESSION	GASKET METAL COMPRESSION	2	
	15439	15439-PWB1-900	GASKET MOLDED-OIL STRAINER CAP	GASKET MOLDED-OIL STRAINER CAP	1	
	16958	16958-KHB4-900	O-RING 10.77x2.62	O-RING 10.77x2.62	1	
	24421	24421-PWB1-900	SPACER SHIFT SENSOR	SPACER SHIFT SENSOR	1	
	35759	35759-PWB1-900	SW ASSY GEAR CHANGE	SW ASSY GEAR CHANGE	1	
	37750	37750-PWB1-900	THERMO UNIT ASSY	THERMO UNIT ASSY	1	

E01

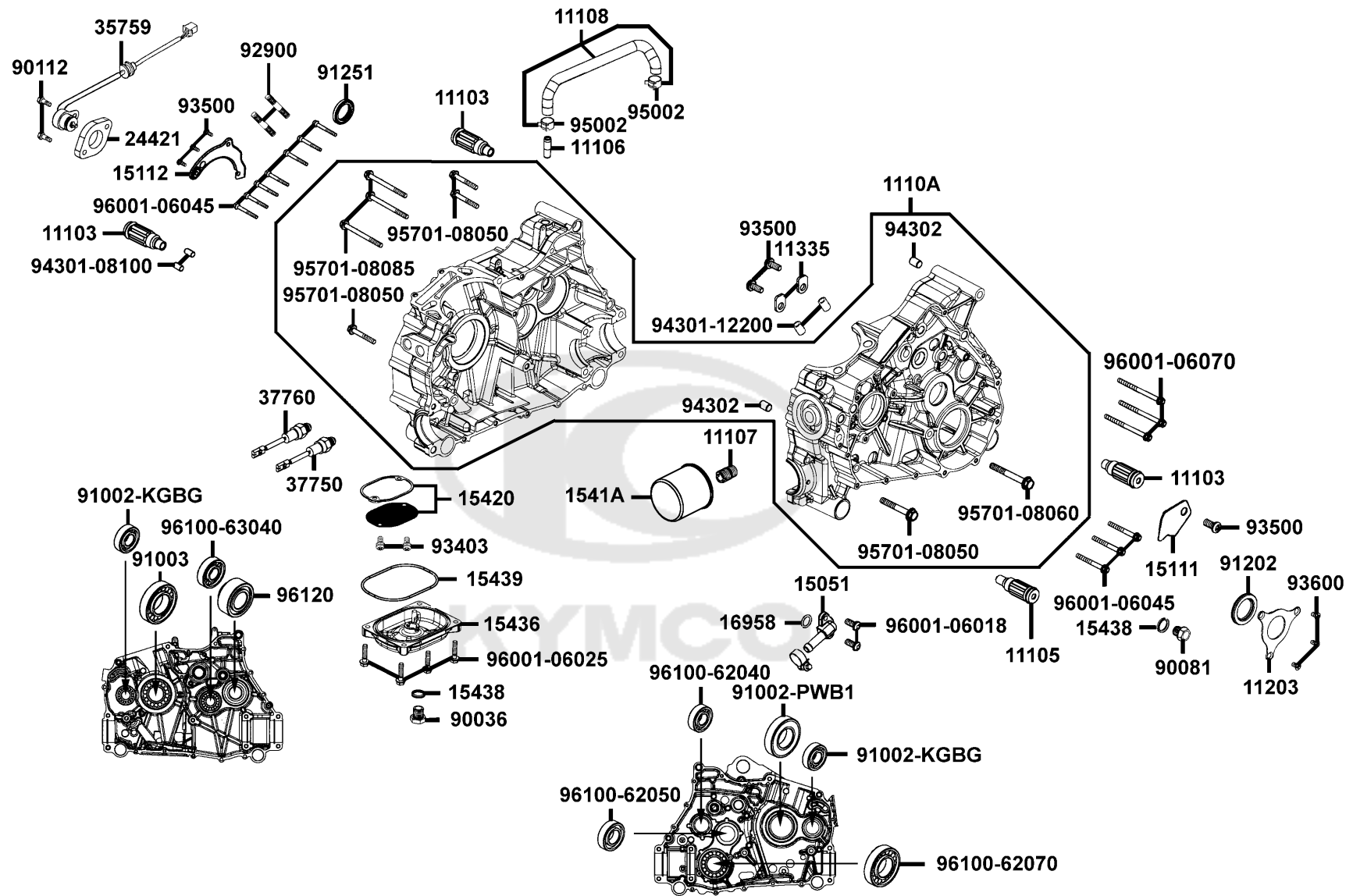
Right Crank Case



Sales mark	Ref no	Part no	Description	Reg description	Regd no	E01
	37760	37760-PWB1-900	SW ASS'Y THERMO	SW ASS'Y THERMO	1	
	90036	90036-PWB1-900	BOLT ASSY DRAIN PLUG	BOLT ASSY DRAIN PLUG	1	
	90081	90081-PWB1-900	PLUG CASE 12X14	PLUG CASE 12X14	1	
	90112	90112-KRDR-900	BOLT FLANGE 5*22	BOLT FLANGE 5*22	2	
	91002-KGBG	91002-KGBG-90B	BRG BALL RADIAL TMB204	BRG BALL RADIAL TMB204	2	
	91002-PWB1	91002-PWB1-90A	BRG BALL RADIL 6207LUAC3	BRG BALL RADIL 6207LUAC3	1	
	91003	91003-PWB1-900	BRG RADIAL BALL 6207-9C3	BRG RADIAL BALL 6207-9C3	1	
	91202	91202-PWB1-900	OIL SEAL 34X52X6	OIL SEAL 34X52X6	1	
	91251	91251-PWB1-900	OIL SEAL 30X44X7	OIL SEAL 30X44X7	1	
	92900	92900-06040-0E	BOLT STUD 6*40	BOLT STUD 6*40	2	
#	93403	93403-05012-06	BOLT-WASH 5X12	BOLT-WASH 5X12	1	
	93500	93500-PWB1-900	SCREW PAN 6X14 (C)	SCREW PAN 6X14 (C)	6	
	93600	93600-PWB1-900	SCREW FLAT 6X16(C)	SCREW FLAT 6X16(C)	3	
	94301-08100	94301-08100	DOWEL PIN 8*10	DOWEL PIN 8*10	2	
	94301-12200	94301-12200	DOWEL PIN 12*20	DOWEL PIN 12*20	2	
	94302	94302-KKE5-E00	D12 DOWEL PIN R/L CASE	D12 DOWEL PIN R/L CASE	2	
	95002	95002-KKD6-E05	CLAMP D18 TUBE	CLAMP D18 TUBE	2	
#	95701-08050	95701-08050-06	BOLT FLANGE 8*50	BOLT FLANGE 8*50	1	
#	95701-08060	95701-08060-06	BOLT FLANGE 8*60 (G)	BOLT FLANGE 8*60 (G)	1	
#	95701-08085	95701-08085-06	BOLT FLANGE 8*85 (G)	BOLT FLANGE 8*85 (G)	1	

E01

Right Crank Case

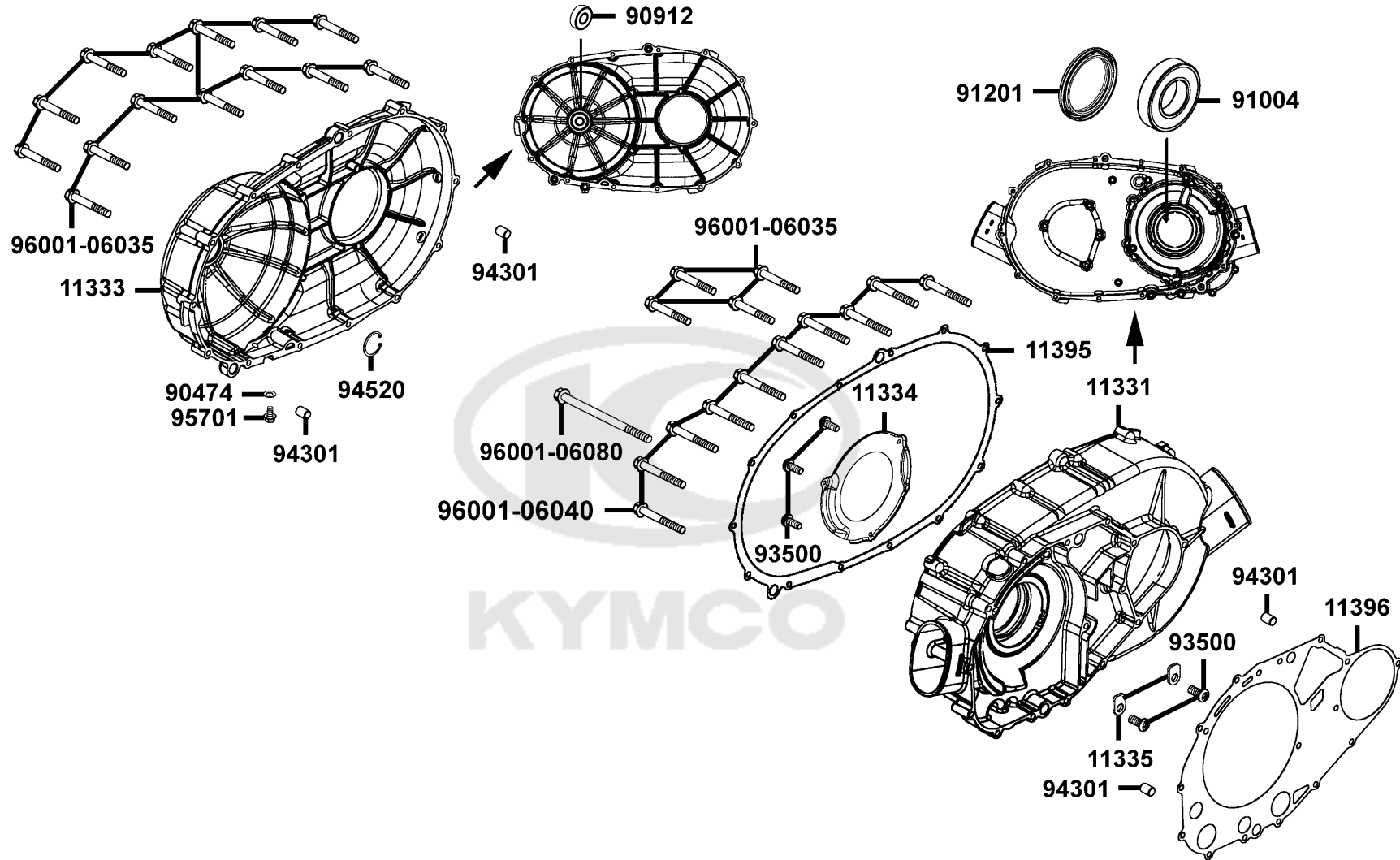


Sales mark	Ref no	Part no	Description	Reg description	Regd no	E01
#	96001-06018	96001-06018-06	BOLT FLANGE SH 6*18	BOLT FLANGE SH 6*18	1	
#	96001-06025	96001-06025-06	BOLT FLANGE SH 6*25	BOLT FLANGE SH 6*25	1	
#	96001-06045	96001-06045-06	BOLT FLANGE 6*45 **07 C.2005.07.01	BOLT FLANGE 6*45 **07 C.2005.07.01	1	
#	96001-06070	96001-06070-06	BOLT FLANGE SH 6*70	BOLT FLANGE SH 6*70	1	
	96100-62040	96100-62040-00	BEARING BALL RADIAL 6204	BEARING BALL RADIAL 6204	1	
	96100-62050	96100-62050-00	BEARING BALL RADIAL 6205	BEARING BALL RADIAL 6205	1	
	96100-62070	96100-62070-00	BRG RADIAL BALL 6207	BRG RADIAL BALL 6207	1	
	96100-63040	96100-63040-00	BRG BALL RADIAL 6304	BRG BALL RADIAL 6304	1	
	96120	96120-PWB1-900	BEARING BALL D/R 30X62X23.8	BEARING BALL D/R 30X62X23.8	1	



E02

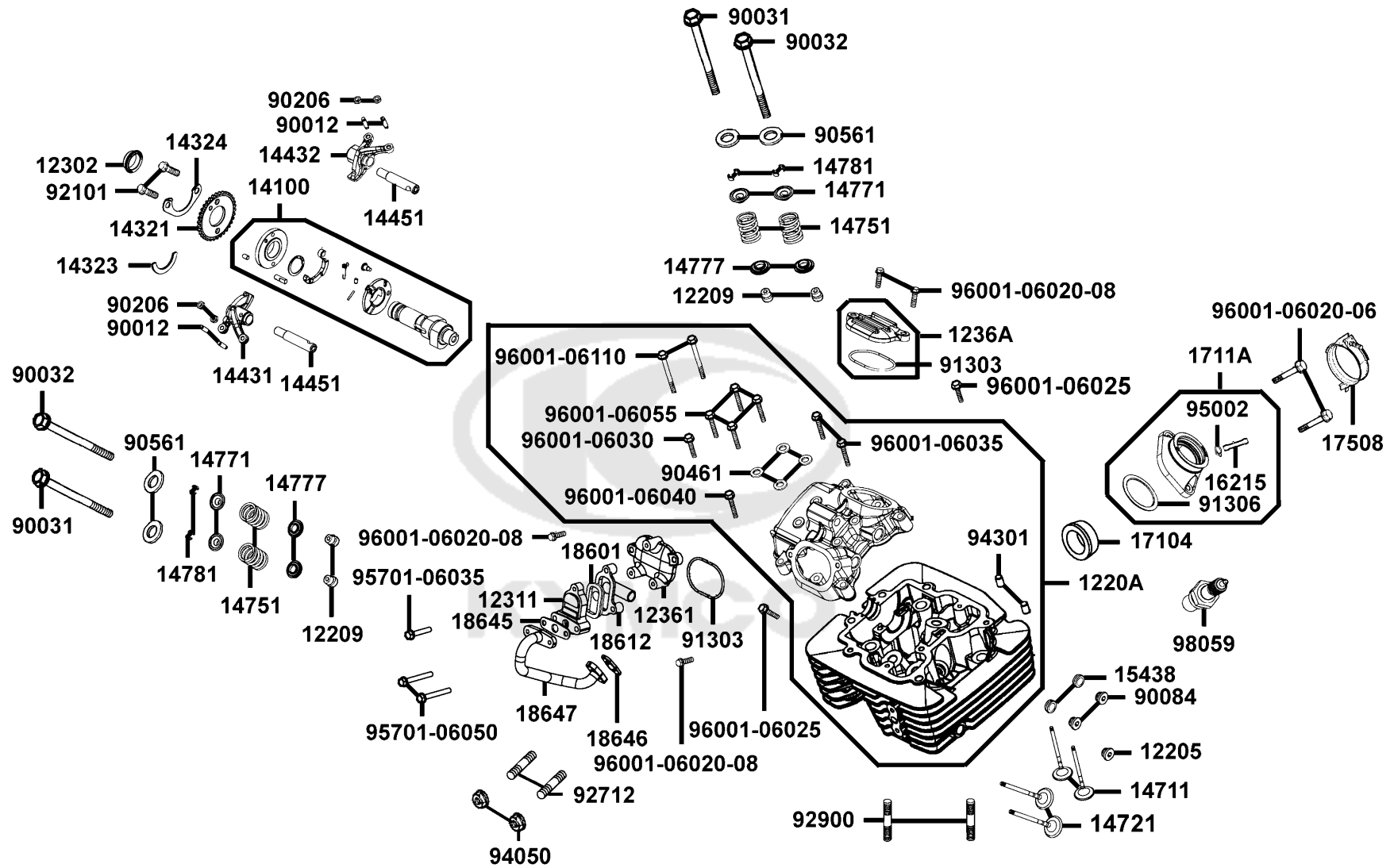
Cover Right Crank Case



Sales mark	Ref no	Part no	Description	Reg description	Regd no	E02
	11331	11331-PWB1-900	COVER R CRANK CASE	COVER R CRANK CASE	1	
	11333	11333-LFA5-900	COVER R COVER	COVER R COVER	1	
	11334	11334-PWB1-900	PLATE AIR INTAKE	PLATE AIR INTAKE	1	
	11335	11335-PWB1-900	RETAINER BEARING	RETAINER BEARING	2	
	11395	11395-PWB1-900	GASKET R COVER	GASKET R COVER	1	
	11396	11396-PWB1-900	GASKET R COVER	GASKET R COVER	1	
	90474	90474-3C33-001	WASHER 8MM	WASHER 8MM	1	
	90912	90912-KFLF-00A	BEARING 6201 LLU	BEARING 6201 LLU	1	
	91004	91004-PWB1-90D	BRG BALL RADIL 6208RUEF-1	BRG BALL RADIL 6208RUEF-1	1	
	91201	91201-PWB1-90C	OIL SEAL 54X70X8	OIL SEAL 54X70X8	1	
	93500	93500-PWB1-900	SCREW PAN 6X14 (C)	SCREW PAN 6X14 (C)	5	
	94301	94301-12200	DOWEL PIN 12*20	DOWEL PIN 12*20	4	
	94520	94520-32180	CIR CLIP IN 32	CIR CLIP IN 32	1	
#	95701	95701-08012-06	BOLT FLANGE 8*12	BOLT FLANGE 8*12	1	
#	96001-06035	96001-06035-06	BOLT FLANGE SH 6*35	BOLT FLANGE SH 6*35	1	
#	96001-06040	96001-06040-06	BOLT FLANGE SH 6*40	BOLT FLANGE SH 6*40	1	
#	96001-06080	96001-06080-06	BOLT FLANGE SH 6*80(G)	BOLT FLANGE SH 6*80(G)	1	

E03

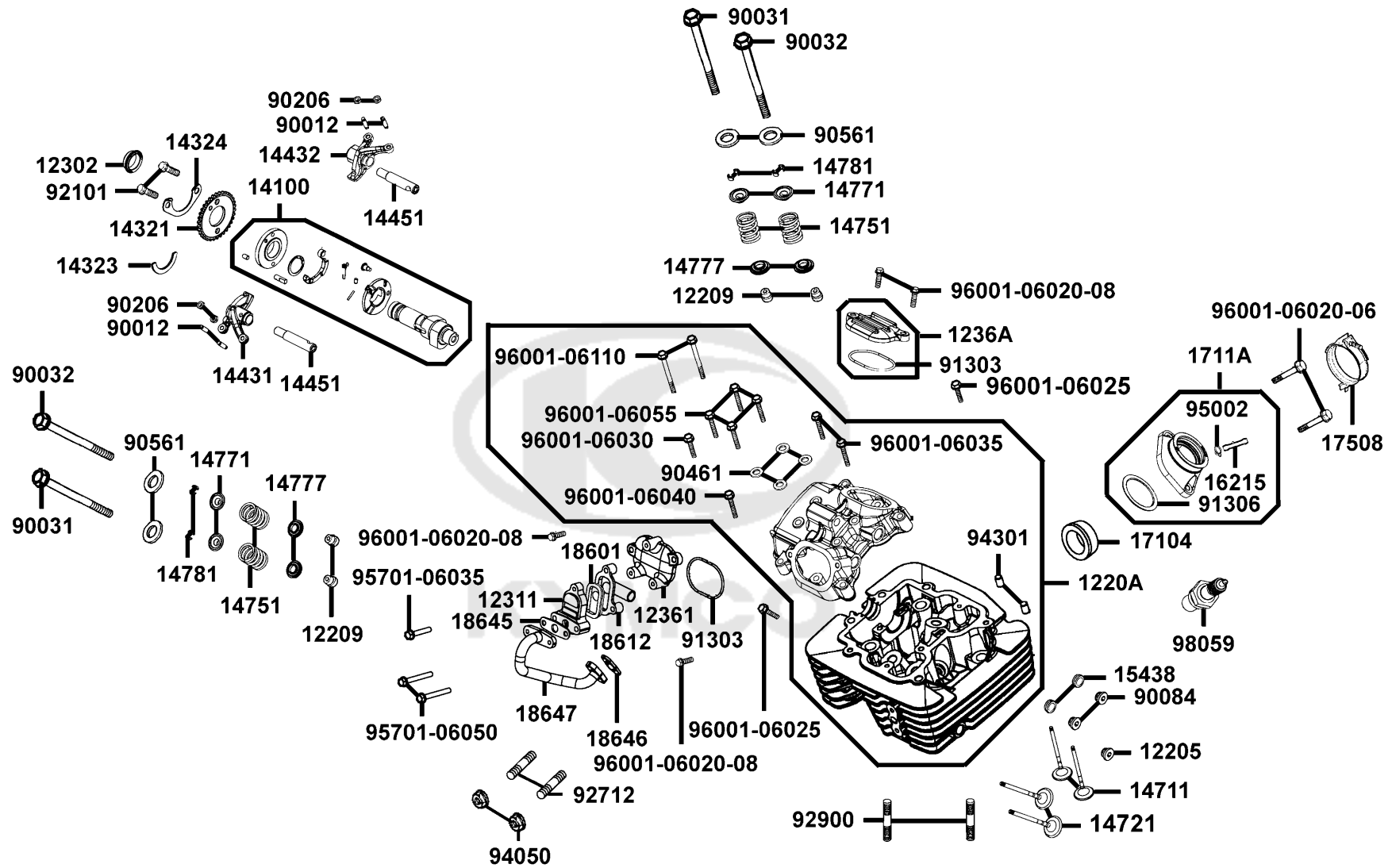
Cylinder Head Cover Cylinder Head



Sales mark	Ref no	Part no	Description	Reg description	Regd no	E03
12205		12205-KHE8-301	BOLT SEALING 12MM	BOLT SEALING 12MM	1	
12209		12209-PWB1-900	SEAL VALVE STEM	SEAL VALVE STEM	4	
1220A		1220A-LFA5-E00	HEAD ASSY CYLINDER	HEAD ASSY CYLINDER	1	
12302		12302-PWB1-900	PLUG HEAD	PLUG HEAD	1	
12311		12311-LFA5-E00	BODY REED VALVE	BODY REED VALVE	1	
12361		12361-LFA5-E00	CAP VALVE INSPECTION	CAP VALVE INSPECTION	1	
1236A		1236A-PWB1-900	CAP ASSY TAPPET ADJUSTING HOLE	CAP ASSY TAPPET ADJUSTING HOLE	1	
14100		14100-PWB1-910	SHAFT COMP CAM	SHAFT COMP CAM	1	
14321		14321-PWB1-900	SPROCKET CAM	SPROCKET CAM	1	
14323		14323-PWB1-900	C-RING CAM RETAINER	C-RING CAM RETAINER	1	
14324		14324-PWB1-900	WASHER LOCK AMSHAFT	WASHER LOCK AMSHAFT	1	
14431		14431-PWB1-900	ARM VALVE ROCKER	ARM VALVE ROCKER	1	
14432		14432-PWB1-900	ARM EX VALVE ROCKER	ARM EX VALVE ROCKER	1	
14451		14451-PWB1-900	ROCKER ARM SHAFT INTAKE	ROCKER ARM SHAFT INTAKE	2	
14711		14711-PWB1-900	VALVE INTAKE	VALVE INTAKE	2	
14721		14721-PWB1-900	VALVE EXHAUST	VALVE EXHAUST	2	
14751		14751-PWB1-900	SPRING VALVE	SPRING VALVE	4	
14771		14771-PWB1-900	RETAINER UPPER SPRING	RETAINER UPPER SPRING	4	
14777		14777-PWB1-900	SEAT VALVE SPRING	SEAT VALVE SPRING	4	
14781		14781-MFA6-001	COTTER VALVE	COTTER VALVE	8	

E03

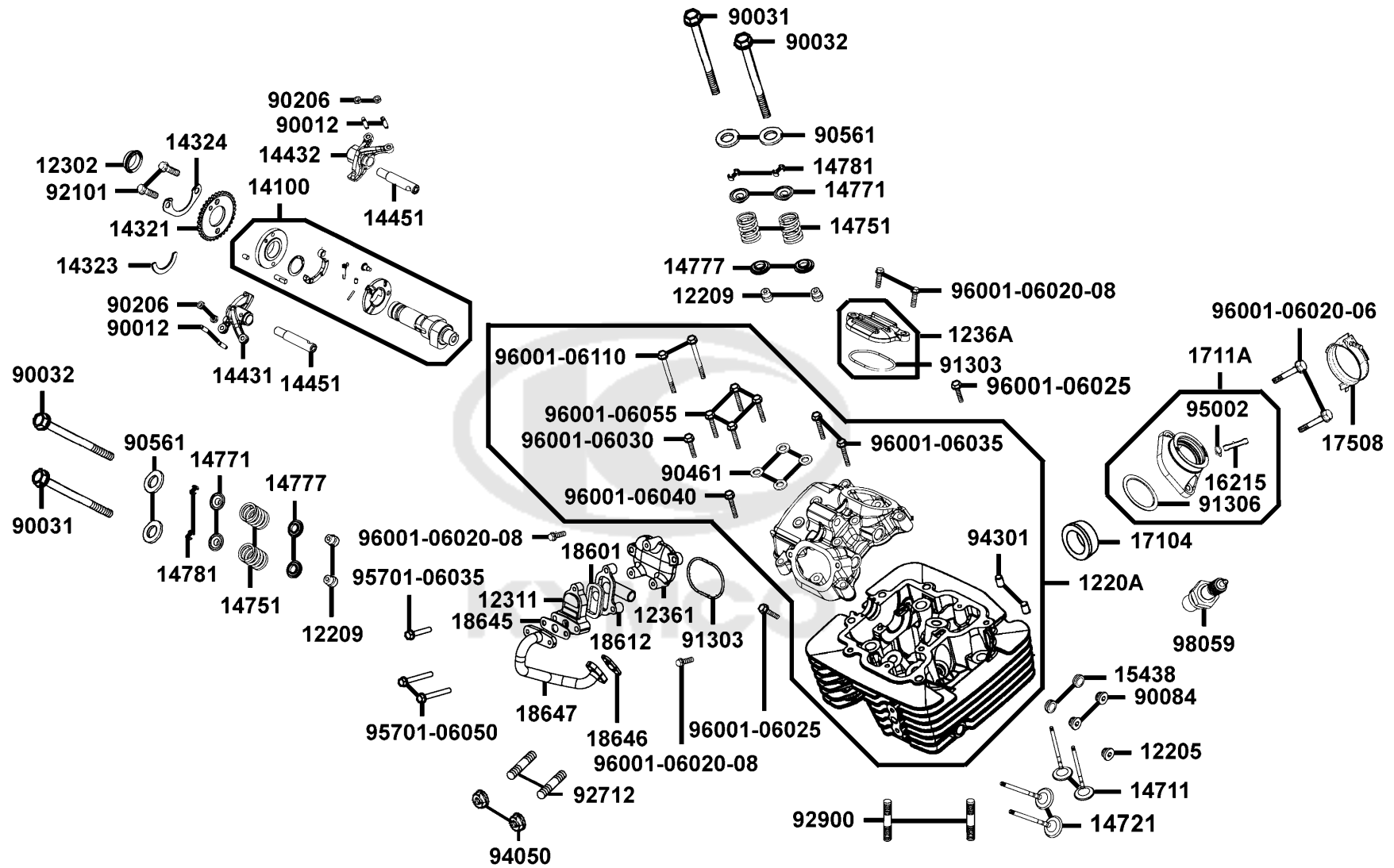
Cylinder Head Cover Cylinder Head



Sales mark	Ref no	Part no	Description	Reg description	Regd no	E03
	15438	15438-PWB1-900	GASKET METAL COMPRESSION	GASKET METAL COMPRESSION	2	
	16215	16215-LFA5-E00	JOINT	JOINT	1	
	17104	17104-LFA5-E00	SOCKET INLET PIPE	SOCKET INLET PIPE	1	
	1711A	1711A-LFA5-E00	PIPE ASSY INLET	PIPE ASSY INLET	1	
	17508	17508-PWB1-900	CLAMP D56	CLAMP D56	1	
	18601	18601-KBE2-900	REED VALVE COMP LDV 52*27*6.0	REED VALVE COMP LDV 52*27*6.0	1	
	18612	18612-KFB5-900	COVER REED VALVE	COVER REED VALVE	1	
	18645	18645-LBA2-E00	GASKET A/I PIPE	GASKET A/I PIPE	1	
	18646	18646-GFY6-941	GASKET A/I PIPE	GASKET A/I PIPE	1	
	18647	18647-LFA5-E00	PIPE COMP AIR	PIPE COMP AIR	1	
	90012	90012-3C33-001	SCREW TAPPET ADJUSTING	SCREW TAPPET ADJUSTING	4	
	90031	90031-PWB1-900	BOLT UBS 10x170	BOLT UBS 10x170	2	
	90032	90032-PWB1-900	BOLT UBS 10x180	BOLT UBS 10x180	2	
	90084	90084-KKE5-E00	CAPE OIL CHANNEL	CAPE OIL CHANNEL	2	
	90206	90206-0A01-001	NUT TAPPET ADJG	NUT TAPPET ADJG	4	
	90461	90461-PWB1-900	WASHER SEALING	WASHER SEALING	4	
	90561	90561-PWB1-900	WASHER 21X10X2.2	WASHER 21X10X2.2	4	
	91303	91303-PWB1-900	ORING INSPECTION CAP	ORING INSPECTION CAP	1	
	91306	91306-PWB1-900	O-RING INTAKE MANIFOLD	O-RING INTAKE MANIFOLD	1	
	92101	92101-06012-OHN	BOLT HEX 6X12	BOLT HEX 6X12	2	

E03

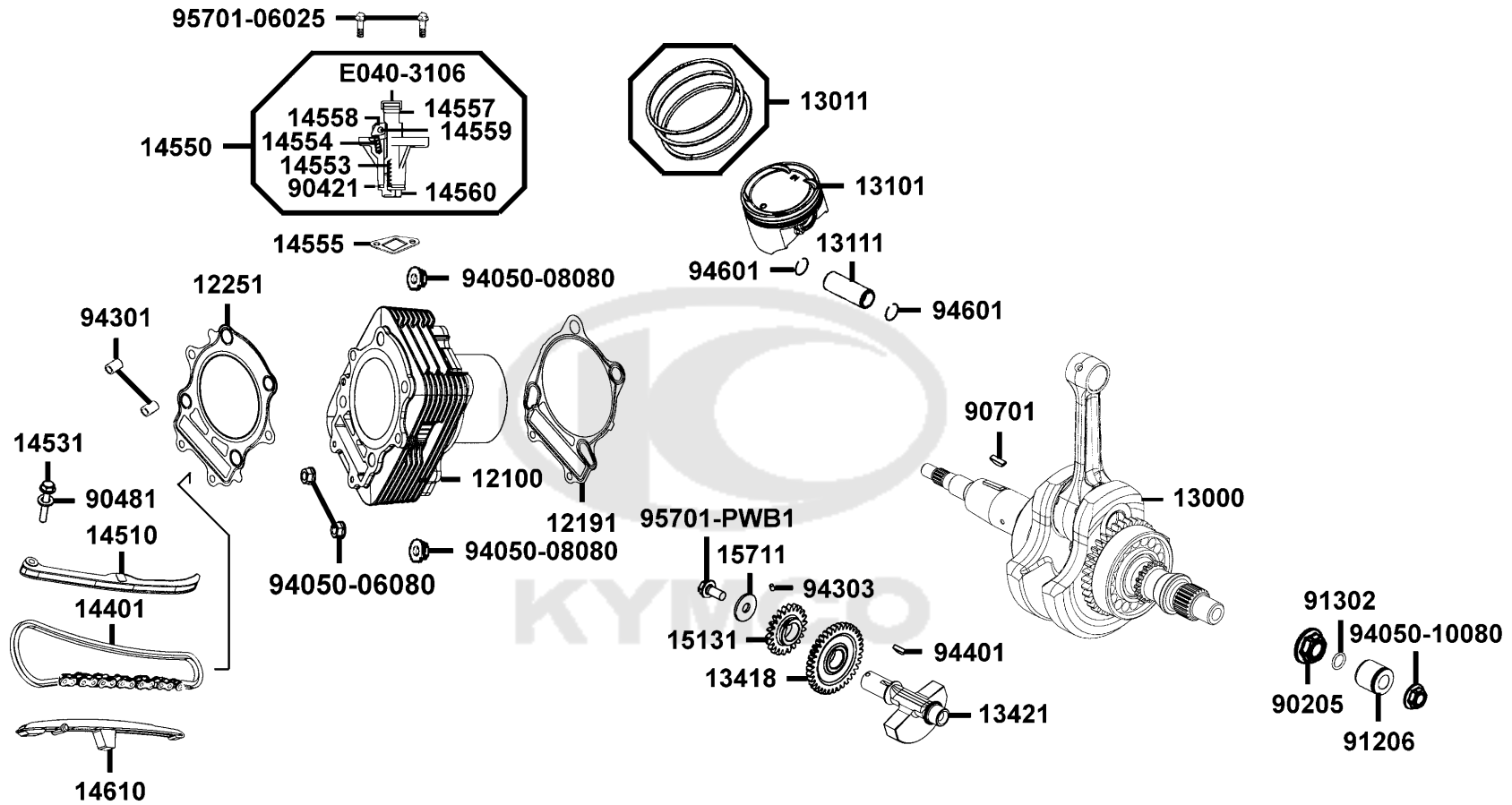
Cylinder Head Cover Cylinder Head



Sales mark	Ref no	Part no	Description	Reg description	Regd no	E03
#	92712	92712-06028-0B	BOLT STUD 6*28	BOLT STUD 6*28	2	
	92900	92900-08046-0B	BOLT STUD 8X46	BOLT STUD 8X46	2	
	94050	94050-06080	NUT FLANGE 6MM	NUT FLANGE 6MM	2	
	94301	94301-08140	DOWEL PIN 8*14	DOWEL PIN 8*14	2	
	95002	95002-02070	CLIP B7 TUBE	CLIP B7 TUBE	1	
#	95701-06035	95701-06035-06	BOLT FLANGE 6*35	BOLT FLANGE 6*35	1	
#	95701-06050	95701-06050-06	BOLT FLANGE 6*50	BOLT FLANGE 6*50	1	
#	96001-06020-06	96001-06020-06	BOLT FLANGE SH 6*20	BOLT FLANGE SH 6*20	3	
#	96001-06025	96001-06025-06	BOLT FLANGE SH 6*25	BOLT FLANGE SH 6*25	1	
#	96001-06030	96001-06030-06	BOLT FLANGE SH 6*30 (G)	BOLT FLANGE SH 6*30 (G)	1	
#	96001-06035	96001-06035-06	BOLT FLANGE SH 6*35	BOLT FLANGE SH 6*35	1	
#	96001-06040	96001-06040-06	BOLT FLANGE SH 6*40	BOLT FLANGE SH 6*40	1	
#	96001-06055	96001-06055-06	BOLT FLANGE 6*55 **07 C.2005.07.01	BOLT FLANGE 6*55 **07 C.2005.07.01	1	
#	96001-06110	96001-06110-06	BOLT FLANGE SH 6*110	BOLT FLANGE SH 6*110	1	
	98059	98059-58916-00	PLUG SPARK(CR8E)	PLUG SPARK(CR8E)	1	

E04

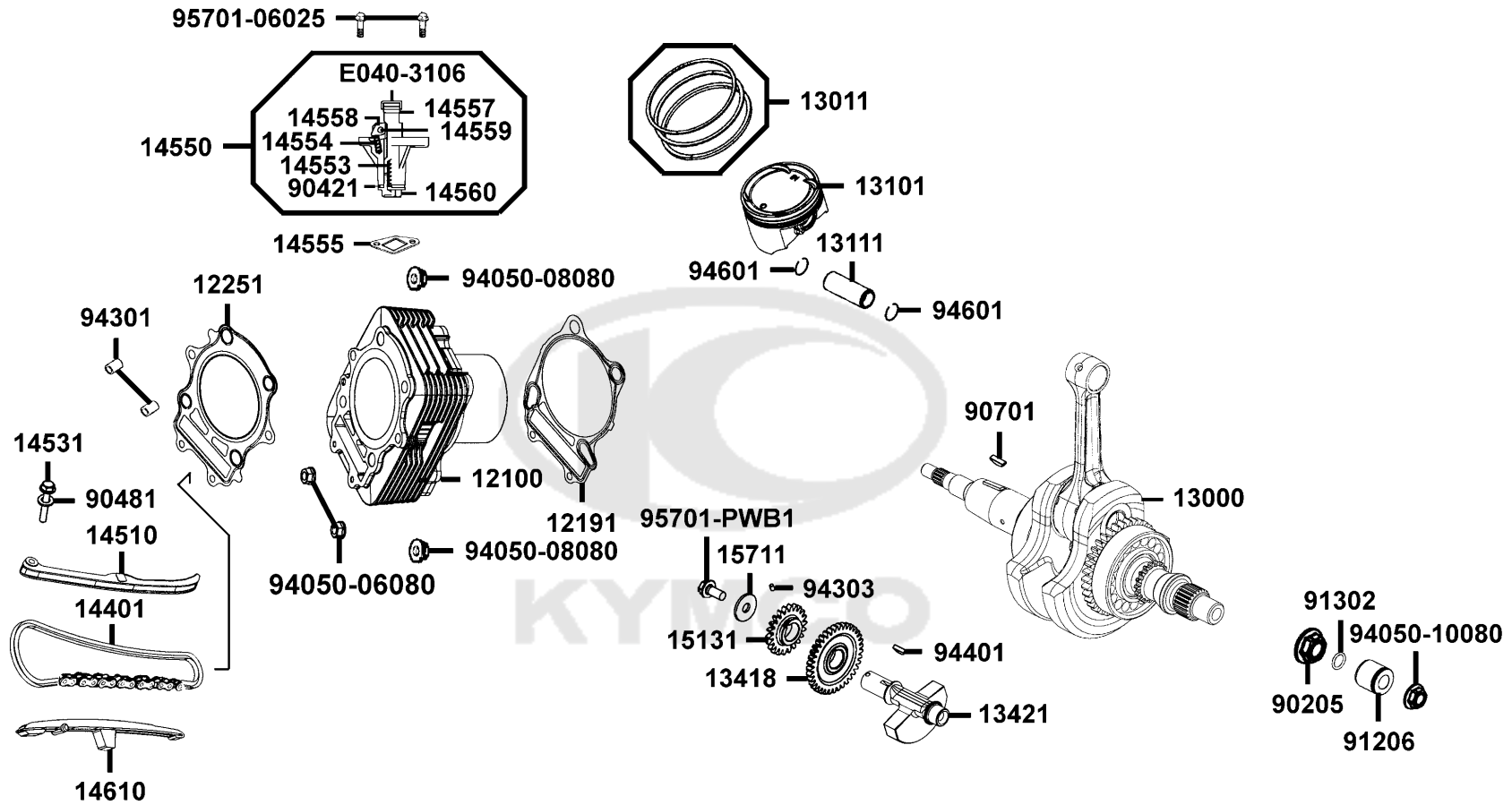
Cylinder Piston Crankshaft



Sales mark	Ref no	Part no	Description	Reg description	Regd no	E04
12100		12100-PWB1-900	CYLINDER COMP	CYLINDER COMP	1	
12191		12191-PWB1-900	GASKET CYLINDER	GASKET CYLINDER	1	
12251		12251-PWB1-900	GASKET CYLINDER HEAD	GASKET CYLINDER HEAD	1	
13000		13000-PWB1-900	CRANK SHAFT COMP.	CRANK SHAFT COMP.	1	
13011		13011-PWB1-900	RING SET PISTON	RING SET PISTON	1	
13101		13101-PWB1-900	PISTON	PISTON	1	
13111		13111-PWB1-900	PIN PISTON	PIN PISTON	1	
13418		13418-PWB1-900	GEAR A BALANCER SHAFT	GEAR A BALANCER SHAFT	1	
13421		13421-PWB1-900	SHAFT BALANCER	SHAFT BALANCER	1	
14401		14401-PWB1-900	CHAIN CAM	CHAIN CAM	1	
14510		14510-PWB1-900	TENSIONER CAM CHAIN	TENSIONER CAM CHAIN	1	
14531		14531-PWB1-900	PIVOT TENSION GUIDE	PIVOT TENSION GUIDE	1	
14550		14550-LBA2-E00	ADJUSTER CAM CHAIN	ADJUSTER CAM CHAIN	1	
14553		14553-LBA2-E00	SPRING CAM CHAIN ADJUSTER	SPRING CAM CHAIN ADJUSTER	1	
14554		14554-KAM1-004	SPRING RATCHET	SPRING RATCHET	1	
14555		14555-LBA2-E00	GASKET CAM CHAIN ADJUSTER	GASKET CAM CHAIN ADJUSTER	1	
14557		14557-LBA2-E00	PLUNGER ADJUSTER	PLUNGER ADJUSTER	1	
14558		14558-LBA2-E00	CAM ADJUSTER	CAM ADJUSTER	1	
14559		14559-LBA2-E00	PIN ADJUSTER	PIN ADJUSTER	1	
14560		14560-LBA2-E00	PLUG COMP ADJUSTER	PLUG COMP ADJUSTER	1	

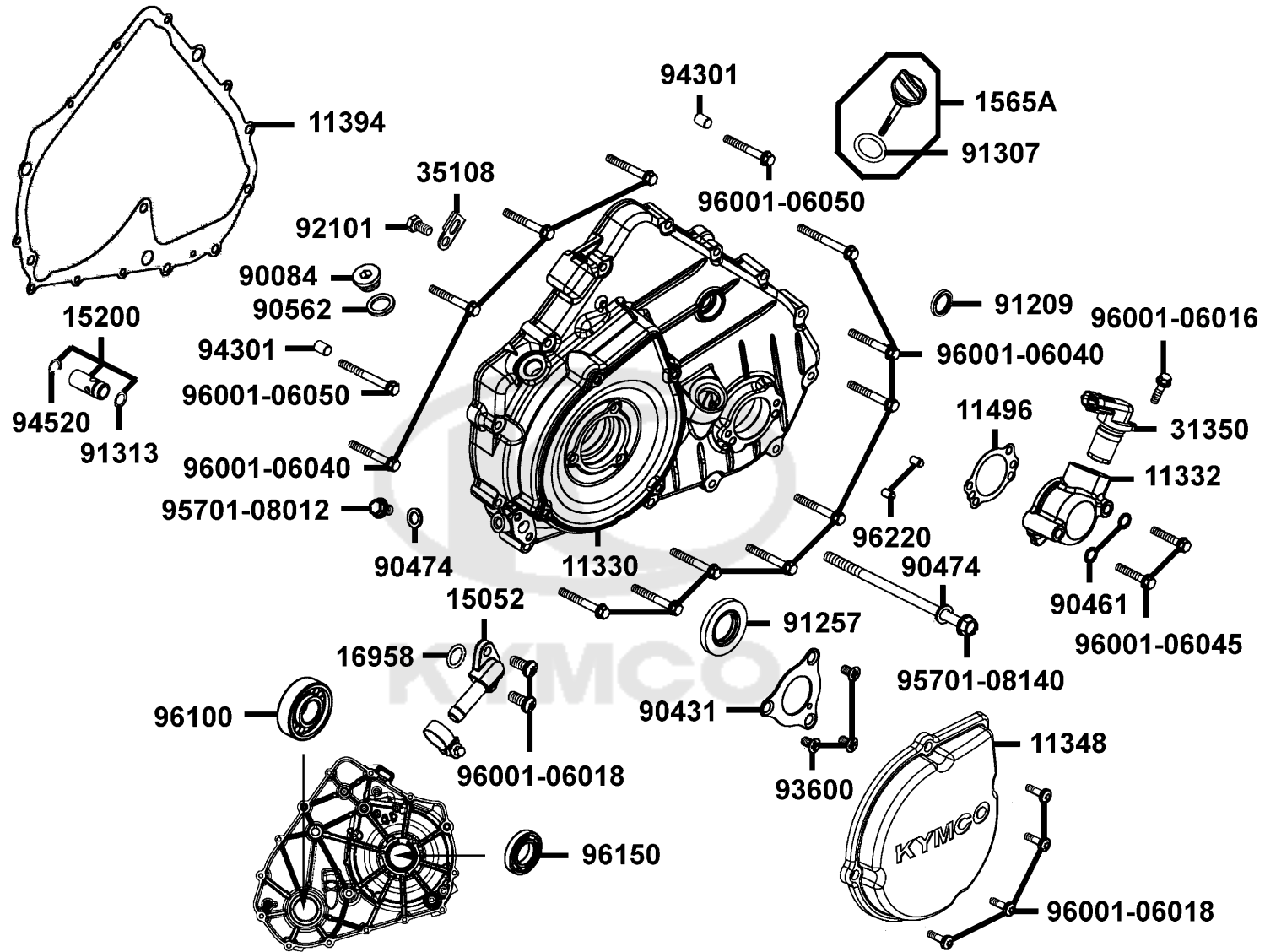
E04

Cylinder Piston Crankshaft



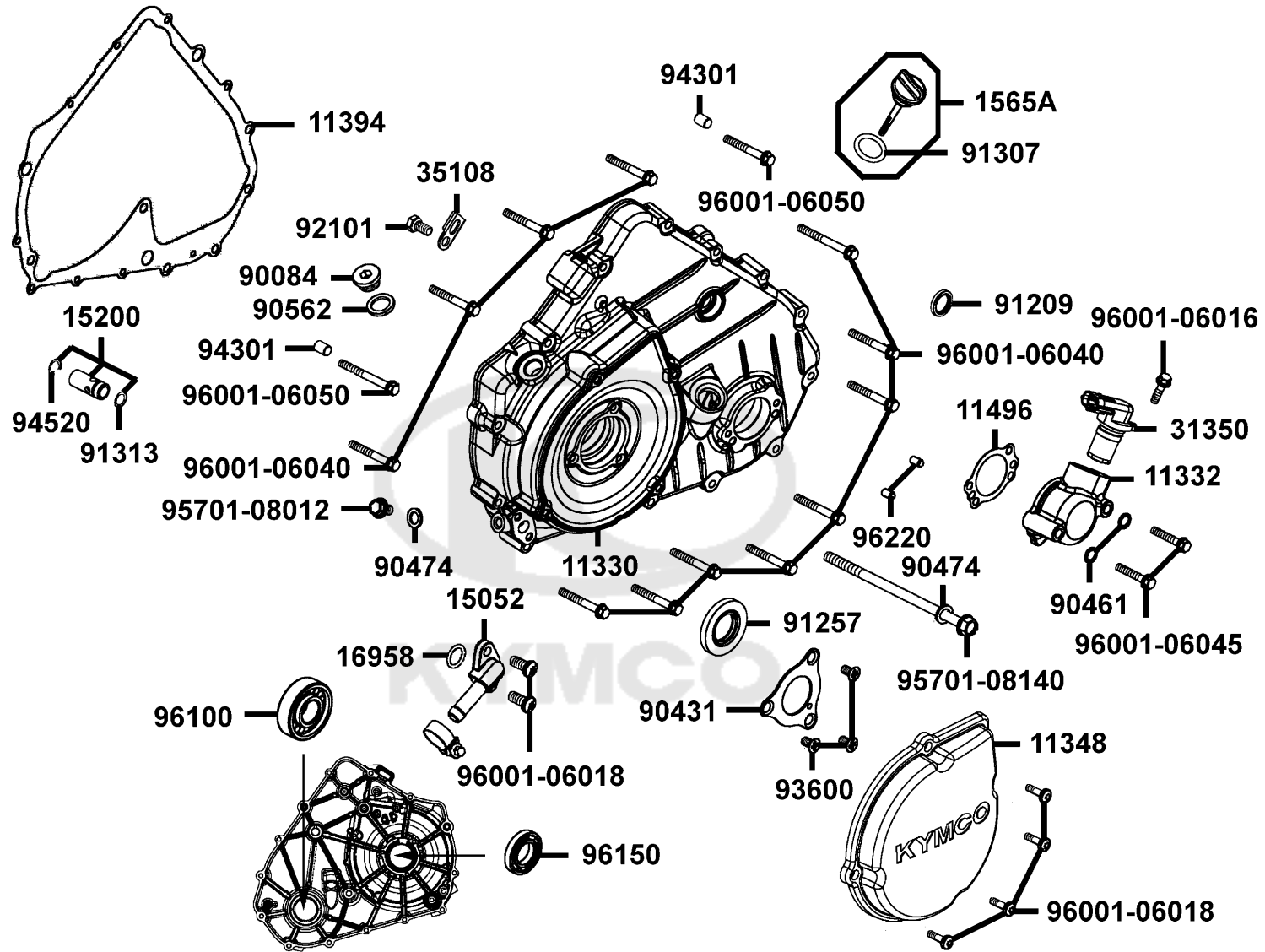
Sales mark	Ref no	Part no	Description	Reg description	Regd no	E04
	14610	14610-PWB1-900	GUIDE COMP CAM CHAIN	GUIDE COMP CAM CHAIN	1	
	15131	15131-PWB1-900	SPROCKET OIL PUMP DRIVE	SPROCKET OIL PUMP DRIVE	1	
	15711	15711-PWB1-900	WASHER 10.2X30X2.5	WASHER 10.2X30X2.5	1	
	90205	90205-LDB5-E00	NUT FLANGE 16 MM	NUT FLANGE 16 MM	1	
	90421	90421-LBA2-E00	WASHER SEALING 10*16*1	WASHER SEALING 10*16*1	1	
	90481	90481-0E35-001	WASHER 8MM	WASHER 8MM	1	
	90701	90701-LDB5-E00	KEY WAY ACG	KEY WAY ACG	1	
	91206	91206-PWB1-900	COLLAR	COLLAR	1	
	91302	91302-PWB1-900	O-RING 12x2	O-RING 12x2	1	
	94050-06080	94050-06080	NUT FLANGE 6MM	NUT FLANGE 6MM	2	
	94050-08080	94050-08080	NUT FLANGE 8MM	NUT FLANGE 8MM	2	
	94050-10080	94050-10080	NUT FLANGE 10MM	NUT FLANGE 10MM	1	
	94301	94301-13220	DOWEL PIN 13x18	DOWEL PIN 13x18	2	
	94303	94303-04065	DOWEL PIN 4*6.5	DOWEL PIN 4*6.5	1	
	94401	94401-16150	KEY WOODRUFF 16*15	KEY WOODRUFF 16*15	1	
	94601	94601-PWB1-900	CIRCLIP PISTON PIN 20MM	CIRCLIP PISTON PIN 20MM	2	
#	95701-06025	95701-06025-06	BOLT FLANGE 6*25	BOLT FLANGE 6*25	1	
	95701-PWB1	95701-PWB1-900	BOLT FLANGE 10x20	BOLT FLANGE 10x20	1	
	E040	E040-3106	CAP	CAP	1	

Cover Left Crank Case



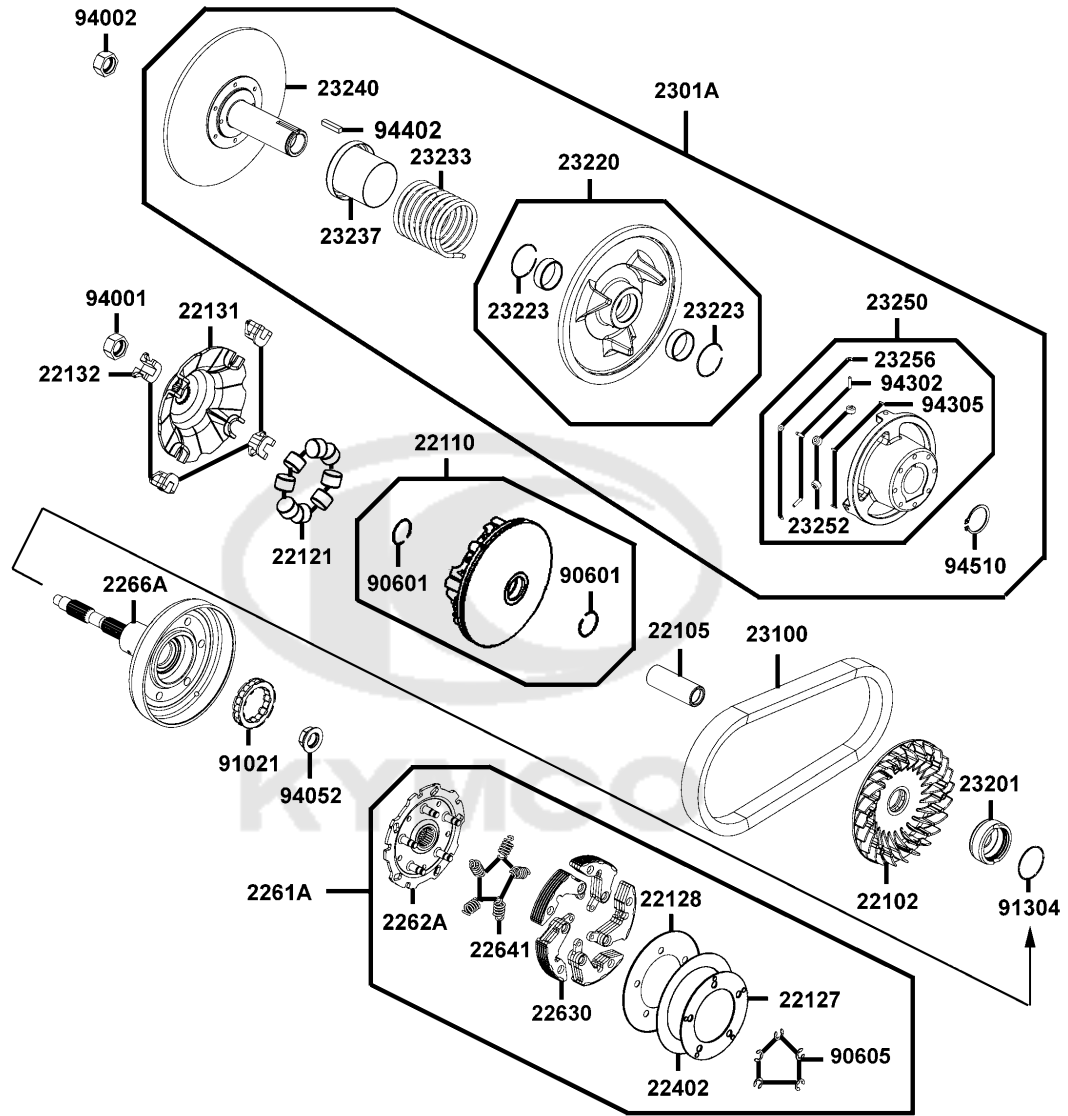
Sales mark	Ref no	Part no	Description	Reg description	Regd no	E05
11330		11330-PWB1-900	COVER LEFT CRANK CASE	COVER LEFT CRANK CASE	1	
11332		11332-PWB1-900	HOUSING SPEED SENSOR	HOUSING SPEED SENSOR	1	
11348		11348-LFA5-900	COVER STARTING	COVER STARTING	1	
11394		11394-PWB1-900	GASKET L COVER	GASKET L COVER	1	
11496		11496-PWB1-900	GASKET SENSOR HOUSING	GASKET SENSOR HOUSING	1	
15052		15052-PWB1-900	ANGLE FITTING OIL	ANGLE FITTING OIL	1	
15200		15200-PWB1-900	OIL RELIEF VALVE ASSY	OIL RELIEF VALVE ASSY	1	
1565A		1565A-PWB1-900	GAUGE ASST OIL LEVEL	GAUGE ASST OIL LEVEL	1	
16958		16958-KHB4-900	O-RING 10.77x2.62	O-RING 10.77x2.62	1	
31350		31350-LDB5-E0A	SENSOR SPEED	SENSOR SPEED	1	
35108		35108-PWB1-900	STAY B ACG STATOR	STAY B ACG STATOR	1	
90084		90084-PWB1-900	CAP ACG	CAP ACG	1	
90431		90431-PWB1-900	RETAINER OIL SEAL	RETAINER OIL SEAL	1	
90461		90461-PWB1-900	WASHER SEALING	WASHER SEALING	2	
90474		90474-3C33-001	WASHER 8MM	WASHER 8MM	2	
90562		90562-PWB1-900	WASHER 16X22X2	WASHER 16X22X2	1	
91209		91209-PWB1-900	OIL SEAL 12X22X9	OIL SEAL 12X22X9	1	
91257		91257-PWB1-900	OIL SEAL 25*48*7	OIL SEAL 25*48*7	1	
91307		91307-0E35-001	O RING 18*3	O RING 18*3	1	
91313		91313-KED9-900	O-RING 15.5*1.5	O-RING 15.5*1.5	1	

Cover Left Crank Case



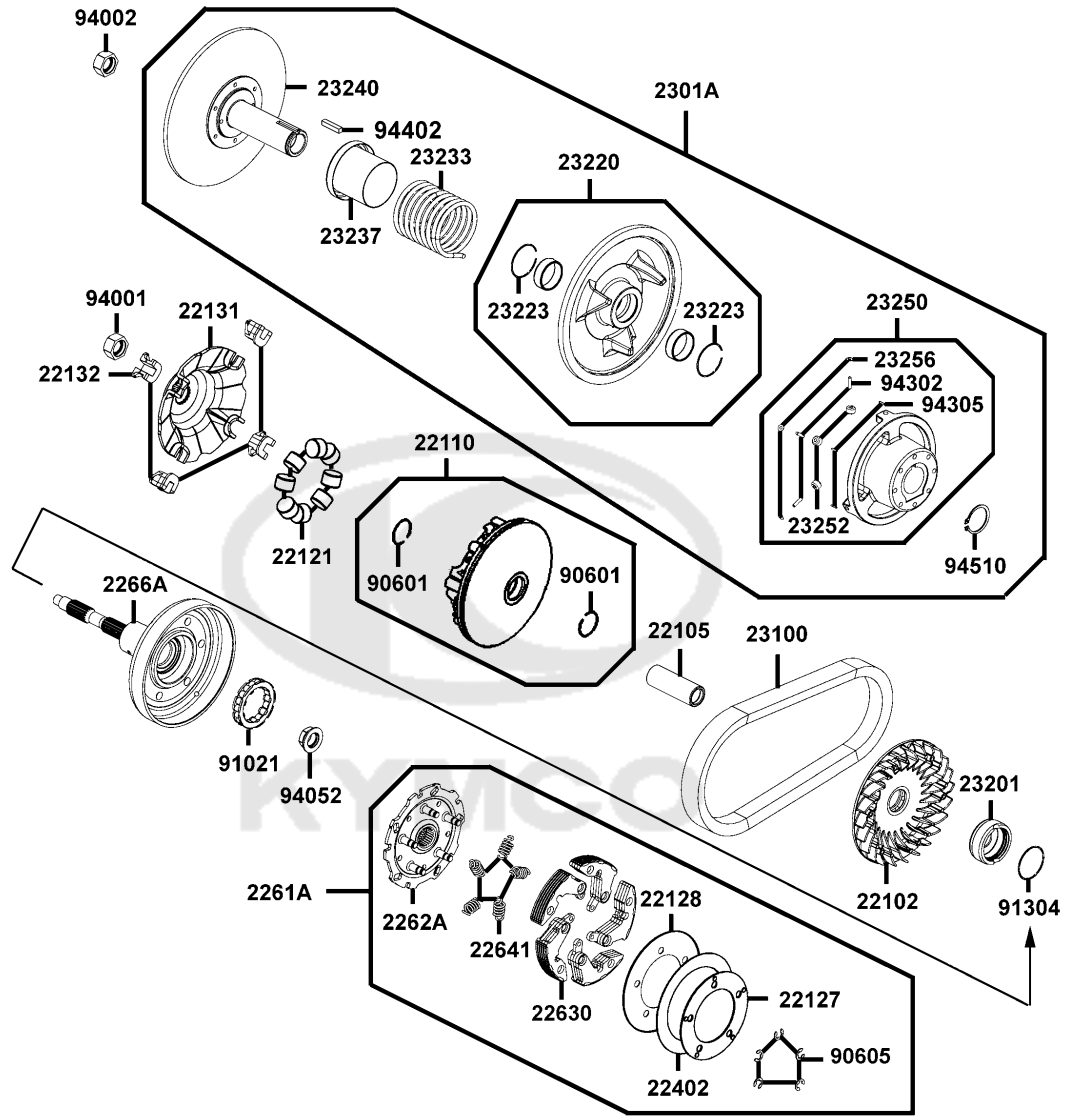
Sales mark	Ref no	Part no	Description	Reg description	Regd no	E05
#	92101	92101-05012-0G	BOLT HEX 5*12 (G)	BOLT HEX 5*12 (G)	1	
	93600	93600-PWB1-900	SCREW FLAT 6X16(C)	SCREW FLAT 6X16(C)	3	
	94301	94301-12200	DOWEL PIN 12*20	DOWEL PIN 12*20	2	
	94520	94520-12100	CIR CLIP IN 12	CIR CLIP IN 12	1	
#	95701-08012	95701-08012-06	BOLT FLANGE 8*12	BOLT FLANGE 8*12	1	
#	95701-08140	95701-08140-06	BOLT FLANGE 8*140	BOLT FLANGE 8*140	1	
#	96001-06016	96001-06016-06	BOLT FLANGE SH 6*16	BOLT FLANGE SH 6*16	1	
#	96001-06018	96001-06018-06	BOLT FLANGE SH 6*18	BOLT FLANGE SH 6*18	1	
#	96001-06040	96001-06040-06	BOLT FLANGE SH 6*40	BOLT FLANGE SH 6*40	1	
#	96001-06045	96001-06045-06	BOLT FLANGE 6*45 **07 C.2005.07.01	BOLT FLANGE 6*45 **07 C.2005.07.01	1	
#	96001-06050	96001-06050-06	BOLT FLANGE SH 6*50	BOLT FLANGE SH 6*50	1	
	96100	96100-63040-00	BRG BALL RADIAL 6304	BRG BALL RADIAL 6304	1	
	96150	96150-PWB1-900	BEARING CONRAD S/R(16005)	BEARING CONRAD S/R(16005)	1	
	96220	96220-60100	ROLLER 6*10	ROLLER 6*10	2	

Drive Pulley

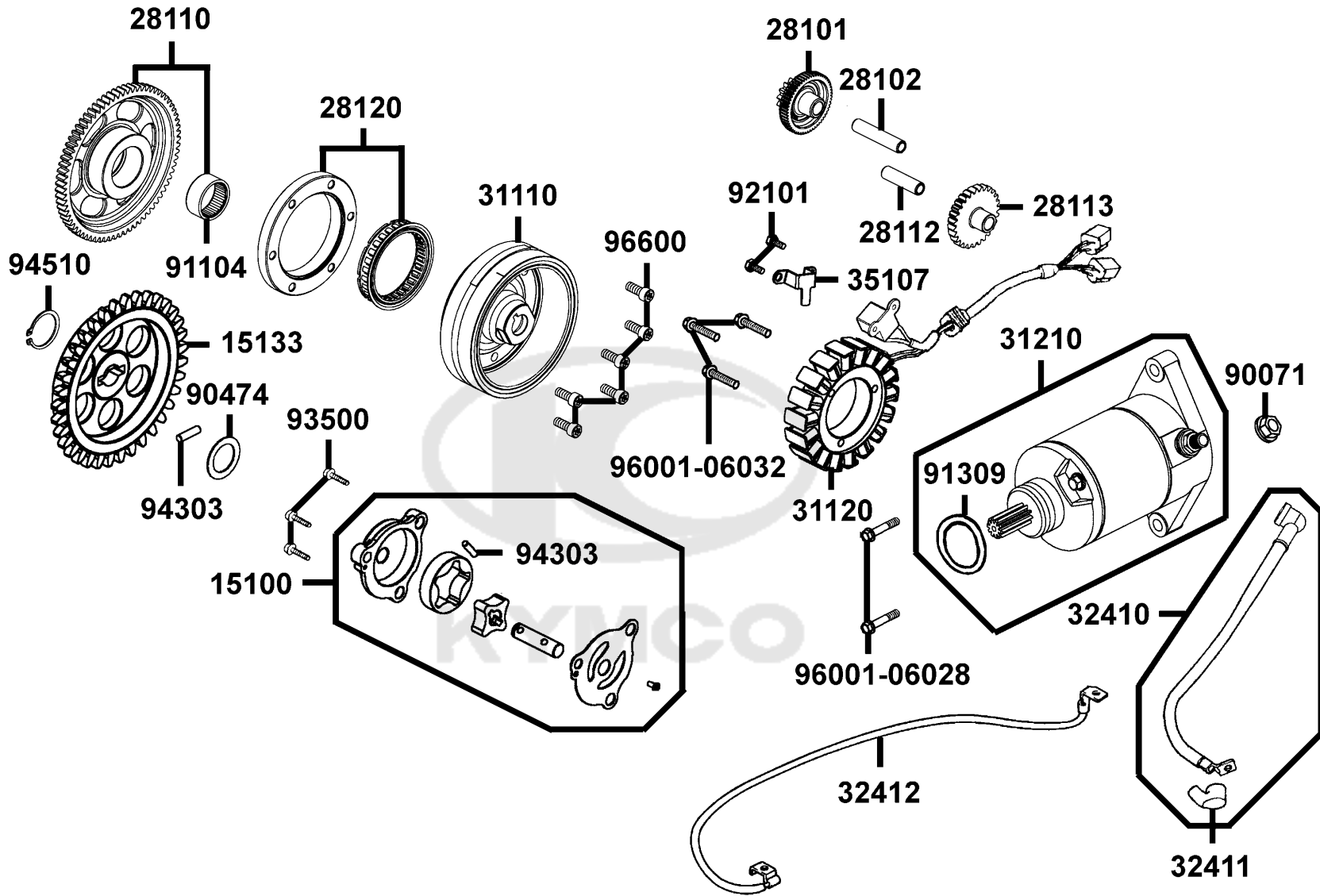


Sales mark	Ref no	Part no	Description	Reg description	Regd no	E06
22102		22102-PWB1-900	FACE DRIVE	FACE DRIVE	1	
22105		22105-PWB1-900	BOSS DRIVE FACE	BOSS DRIVE FACE	1	
22110		22110-PWB1-900	FACE COMP MOVABLE	FACE COMP MOVABLE	1	
22121		22121-PWB1-900	ROLLER COMP WEIGHT	ROLLER COMP WEIGHT	8	
22127		22127-LDB5-E00	SEAT ADJUSTER SPG	SEAT ADJUSTER SPG	1	
22128		22128-PWB1-900	PLATE ADJUSTER SPG	PLATE ADJUSTER SPG	1	
22131		22131-PWB1-900	PLATE RAMP	PLATE RAMP	1	
22132		22132-PWB1-900	PIECE SLIDE	PIECE SLIDE	4	
22402		22402-PWB1-900	SPG ADJUSTER	SPG ADJUSTER	1	
2261A		2261A-PWB1-900	CLUTCH ASSY PRIMARY	CLUTCH ASSY PRIMARY	1	
2262A		2262A-PWB1-900	PLATE COMP PRIMARY DRIVE	PLATE COMP PRIMARY DRIVE	1	
22630		22630-PWB1-900	SHOE CLUTCH	SHOE CLUTCH	5	
22641		22641-PWB1-900	PRIMARY CLUTCH SPG	PRIMARY CLUTCH SPG	5	
2266A		2266A-PWB1-900	GEAR ASSY PRIMARY DRIVE	GEAR ASSY PRIMARY DRIVE	1	
2301A		2301A-PWB1-900	PULLEY SUB ASSY DRIVEN	PULLEY SUB ASSY DRIVEN	1	
23100		23100-PWB1-900	BELT DRIVE	BELT DRIVE	1	
23201		23201-PWB1-900	SPACER FIXED DRIVE	SPACER FIXED DRIVE	1	
23220		23220-PWB1-900	FACE COMP MOVABLE	FACE COMP MOVABLE	1	
23223		23223-PWB1-900	CLIP 38MM	CLIP 38MM	2	
23233		23233-PWB1-900	SPG DRIVEN FACE	SPG DRIVEN FACE	1	

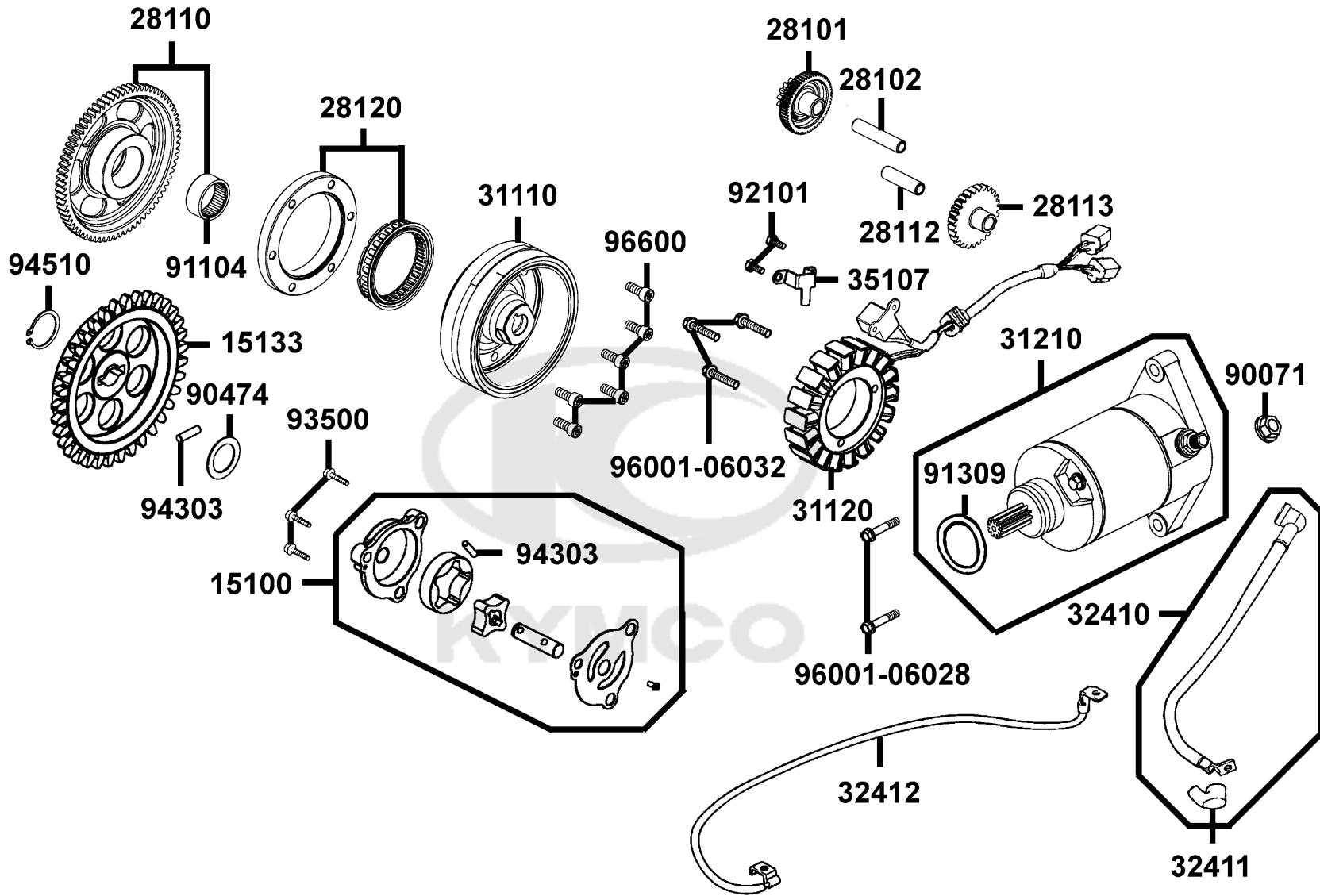
Drive Pulley



Sales mark	Ref no	Part no	Description	Reg description	Regd no	E06
	23237	23237-PWB1-900	COLLAR SEAL	COLLAR SEAL	1	
	23240	23240-PWB1-900	FACE ASSY DRIVEN	FACE ASSY DRIVEN	1	
	23250	23250-PWB1-900	CAP ASSY DRIVEN CLUTCH	CAP ASSY DRIVEN CLUTCH	1	
	23252	23252-PWB1-900	ROLLER DRIVEN CLUTCH	ROLLER DRIVEN CLUTCH	3	
	23256	23256-PWB1-900	WASHER THRUST	WASHER THRUST	3	
	90601	90601-PWB1-900	CLIP 30MM	CLIP 30MM	2	
	90605	90605-1F66-721	CIR CLIP 7MM	CIR CLIP 7MM	5	
	91021	91021-LDB5-E00	BEARING ONE WAY	BEARING ONE WAY	1	
	91304	91304-PWB1-900	O-RING STARTER CUP	O-RING STARTER CUP	1	
#	94001	94001-PWB1-900	NUT FLANGE 16MM	NUT FLANGE 16MM	1	
	94002	94002-PWB1-900	NUT FLANGE 16MM	NUT FLANGE 16MM	1	
	94052	94052-PWB1-900	NUT FLANGE 18MM	NUT FLANGE 18MM	1	
	94302	94302-06025	PIN CAM ROLLER	PIN CAM ROLLER	3	
	94305	94305-03161	PIN SPG 3x16	PIN SPG 3x16	3	
	94402	94402-PWB1-900	KEY 6x6x30	KEY 6x6x30	1	
	94510	94510-35150	CIRCLIP EX 35	CIRCLIP EX 35	1	



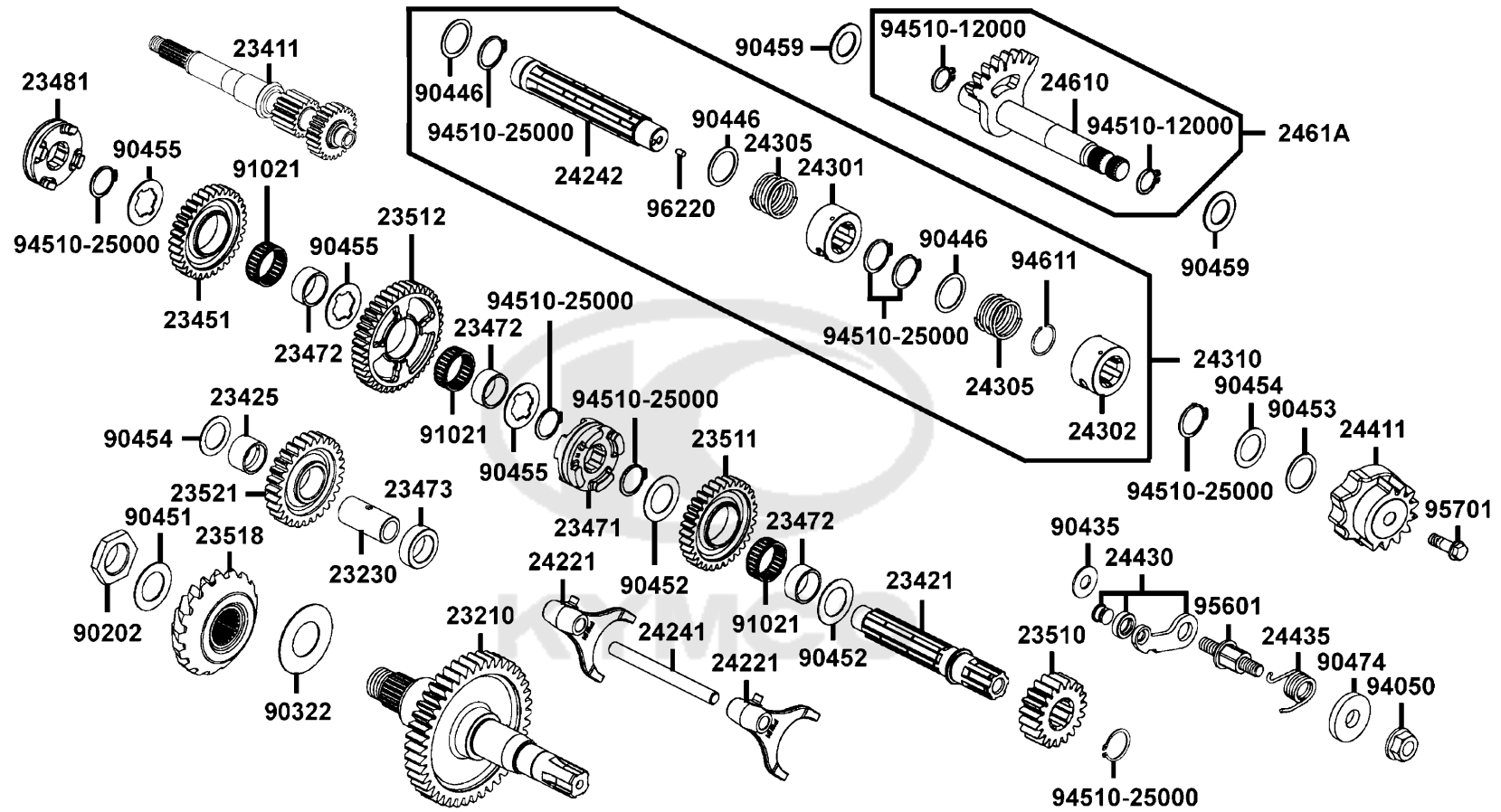
Sales mark	Ref no	Part no	Description	Reg description	Regd no	E07
	15100	15100-PWB1-900	OIL PUMP ASSY	OIL PUMP ASSY	1	
	15133	15133-PWB1-900	SPROCKET OIL PUMP DRIVEN	SPROCKET OIL PUMP DRIVEN	1	
	28101	28101-PWB1-900	GEAR STARTER REDUCTION	GEAR STARTER REDUCTION	1	
	28102	28102-PWB1-900	SHAFT STARTER REDUCTION GEAR	SHAFT STARTER REDUCTION GEAR	1	
	28110	28110-PWB1-900	GEAR COMP STARTING CLUTCH	GEAR COMP STARTING CLUTCH	1	
	28112	28112-PWB1-900	SHAFT A STARTER REDUCTION GEAR	SHAFT A STARTER REDUCTION GEAR	1	
	28113	28113-PWB1-900	GEAR A STARTER REDUCTION	GEAR A STARTER REDUCTION	1	
	28120	28120-PWB1-900	OUTER COMP STARTING CLUTCH	OUTER COMP STARTING CLUTCH	1	
	31110	31110-PWB1-900	FLYWHEEL COMP /D406	FLYWHEEL COMP /D406	1	
	31120	31120-LFA5-E00	STATOR COMP /D406	STATOR COMP /D406	1	
	31210	31210-PWB1-900	MOTOR UNIT STARTER	MOTOR UNIT STARTER	1	
	32410	32410-LGN5-E00	CABLE STARTER MOTOR	CABLE STARTER MOTOR	1	
	32411	32411-2C53-001	COVER STARTING MOTOR TERMINAL	COVER STARTING MOTOR TERMINAL	1	
	32412	32412-LGN5-E00	CABLE EARTH	CABLE EARTH	1	
	35107	35107-PWB1-900	STAY A ACG STATOR	STAY A ACG STATOR	1	
	90071	90071-MLB0-001	NUT WASH 6MM	NUT WASH 6MM	1	
	90474	90474-1G47-001	WASHER 10.5MM	WASHER 10.5MM	1	
	91104	91104-PWB1-90A	BRG NEEDLE 31X39X18	BRG NEEDLE 31X39X18	1	
	91309	91309-4E25-004	O-RING 24.4*3.1	O-RING 24.4*3.1	1	
#	92101	92101-05012-0G	BOLT HEX 5*12 (G)	BOLT HEX 5*12 (G)	1	



Sales mark	Ref no	Part no	Description	Reg description	Regd no	E07
#	93500	93500-06025-0FN	SCREW PAN 6*25	SCREW PAN 6*25	1	
	94303	94303-04160	PIN 4x16	PIN 4x16	1	
	94510	94510-10000	CIR CLIP EX 10MM	CIR CLIP EX 10MM	1	
	96001-06028	96001-06028-08N	BOLT FLANGE SH 6*28	BOLT FLANGE SH 6*28	2	
#	96001-06032	96001-06032-06N	BOLT FLANGE SH 6X32(G)	BOLT FLANGE SH 6X32(G)	1	
	96600	96600-LDB5-E00	SOCKET BOLT 8*20	SOCKET BOLT 8*20	6	

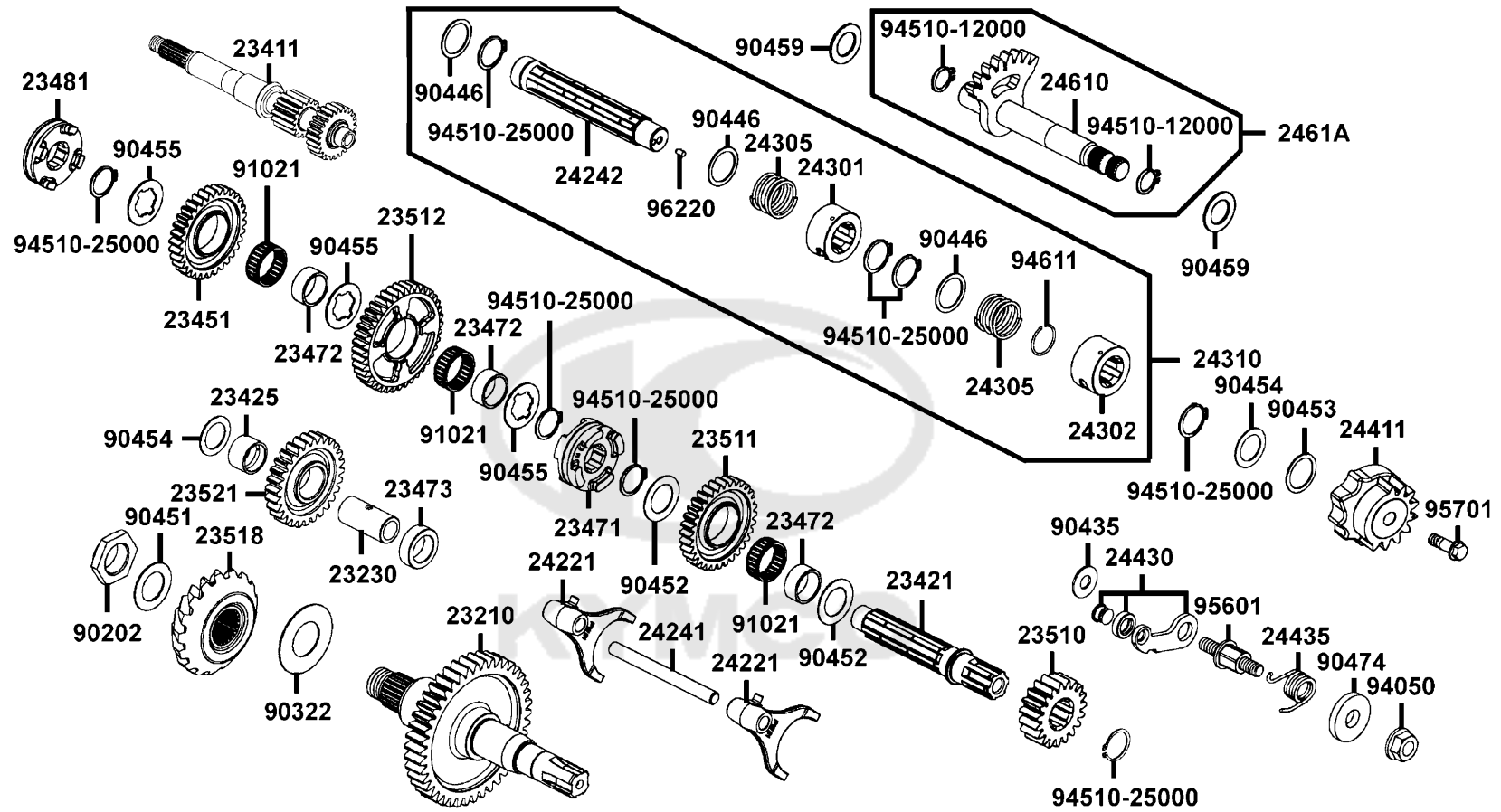


Clutch Assy Primary



Sales mark	Ref no	Part no	Description	Reg description	Regd no	E08
23210		23210-PWB1-900	SHAFT COMP MAIN	SHAFT COMP MAIN	1	
23230		23230-PWB1-900	SHAFT BACKWARD IDLE	SHAFT BACKWARD IDLE	1	
23411		23411-PWB1-900	SHAFT DRIVE	SHAFT DRIVE	1	
23421		23421-PWB1-900	SHAFT COUNTER	SHAFT COUNTER	1	
23425		23425-PWB1-900	BUSH BACKWARD IDLE GEAR	BUSH BACKWARD IDLE GEAR	1	
23451		23451-PWB1-900	GEAR BACKWARD DRIVEN 32T	GEAR BACKWARD DRIVEN 32T	1	
23471		23471-PWB1-900	SHIFT FORWARD&LOW	SHIFT FORWARD&LOW	1	
23472		23472-PWB1-900	RING 25 INNER	RING 25 INNER	3	
23473		23473-PWB1-900	COLLAR 20X30X9.5	COLLAR 20X30X9.5	1	
23481		23481-PWB1-900	SHIFT BACKWARD	SHIFT BACKWARD	1	
23510		23510-PWB1-900	GEAR FORWARD DRIVEN 19T	GEAR FORWARD DRIVEN 19T	1	
23511		23511-PWB1-900	GEAR FORWARD DRIVEN 33T	GEAR FORWARD DRIVEN 33T	1	
23512		23512-PWB1-900	GEAR LOWER DRIVEN 40T	GEAR LOWER DRIVEN 40T	1	
23518		23518-PWB1-900	BEVEL GEAR DRIVE	BEVEL GEAR DRIVE	1	
23521		23521-PWB1-900	GEAR BACKWARD IDLE 28T	GEAR BACKWARD IDLE 28T	1	
24221		24221-PWB1-900	FORK SHIFT	FORK SHIFT	2	
24241		24241-PWB1-900	SHAFT SHIFT FORK	SHAFT SHIFT FORK	1	
24242		24242-PWB1-900	SHAFT DRUM GEAR SHIFT	SHAFT DRUM GEAR SHIFT	1	
24301		24301-PWB1-900	DRUM FORWARD	DRUM FORWARD	1	
24302		24302-PWB1-900	DRUM BACKWARD	DRUM BACKWARD	1	

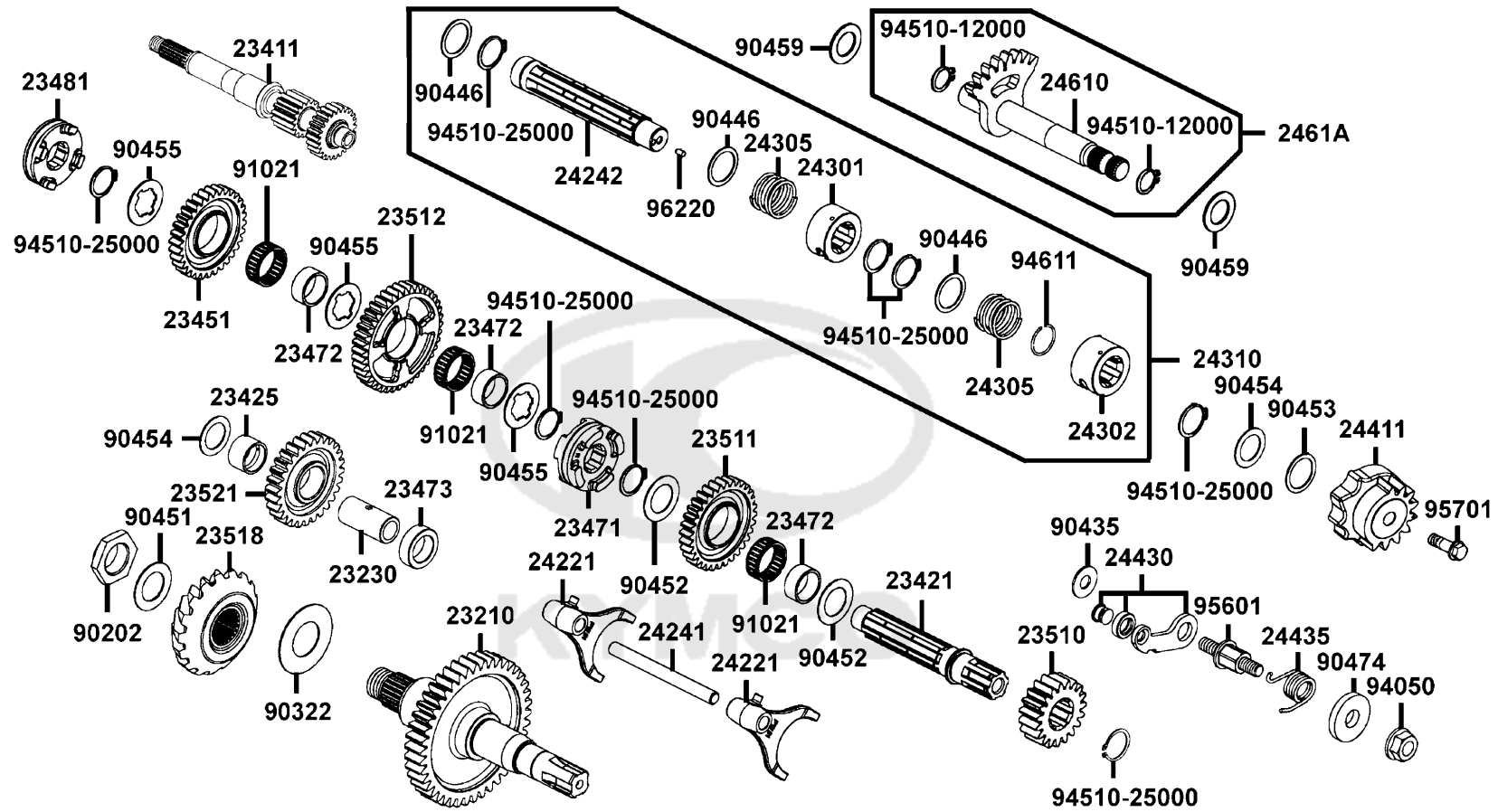
Clutch Assy Primary



Sales mark	Ref no	Part no	Description	Reg description	Regd no	E08
	24305	24305-PWB1-900	SPRING DRUM	SPRING DRUM	2	
	24310	24310-PWB1-900	DRUM ASSY GEAR SHIFT	DRUM ASSY GEAR SHIFT	1	
	24411	24411-PWB1-900	GEAR DRUM SHIFT	GEAR DRUM SHIFT	1	
	24430	24430-PWB1-900	STOPPER COMP DRUM	STOPPER COMP DRUM	1	
	24435	24435-PWB1-900	SPRING CAM STOPPER	SPRING CAM STOPPER	1	
	24610	24610-PWB1-900	SPINDLE COMP DRUM SHIFT	SPINDLE COMP DRUM SHIFT	1	
	2461A	2461A-PWB1-900	SPINDLE ASSY DRUM SHIFT	SPINDLE ASSY DRUM SHIFT	1	
	90202	90202-PWB1-900	NUT DRIVE B GEAR M20X1.5	NUT DRIVE B GEAR M20X1.5	1	
	90322	90322-PWB1-900	SHIM DRIVE BEVEL GEAR T=1.15MM	SHIM DRIVE BEVEL GEAR T=1.15MM	1	
	90435	90435-HCB3-001	WASHER 6.1MM	WASHER 6.1MM	1	
	90446	90446-PWB1-900	WASHER 25X32X1	WASHER 25X32X1	3	
	90451	90451-LBA7-900	WASHER THRUST 20MM	WASHER THRUST 20MM	1	
	90452	90452-LBA7-900	WASHER THRUST 25MM	WASHER THRUST 25MM	2	
	90453	90453-1G07-001	WASHER THRUST 20M/M	WASHER THRUST 20M/M	1	
	90454	90454-KED9-900	WASHER THRUST 20*1	WASHER THRUST 20*1	2	
	90455	90455-LBA7-900	WASHER SPLINE 25MM	WASHER SPLINE 25MM	3	
	90459	90459-PWB1-900	WASHER 12X20X1	WASHER 12X20X1	2	
	90474	90474-7D04-000	WASHER 6*17*23	WASHER 6*17*23	1	
	91021	91021-PWB1-90B	BRG NEEDLE KT30X35X12.8	BRG NEEDLE KT30X35X12.8	3	
	94050	94050-06080	NUT FLANGE 6MM	NUT FLANGE 6MM	1	

E08

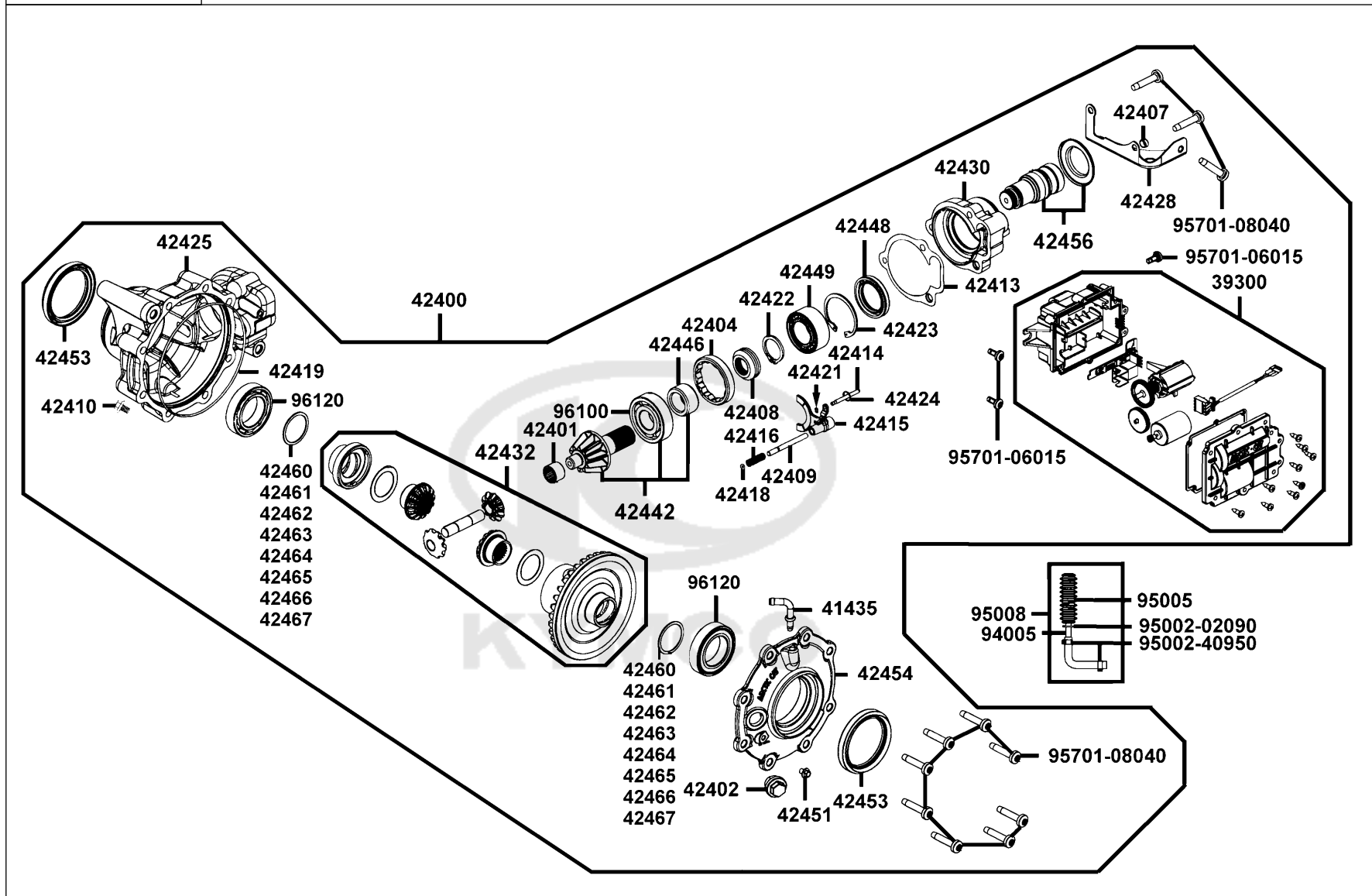
Clutch Assy Primary



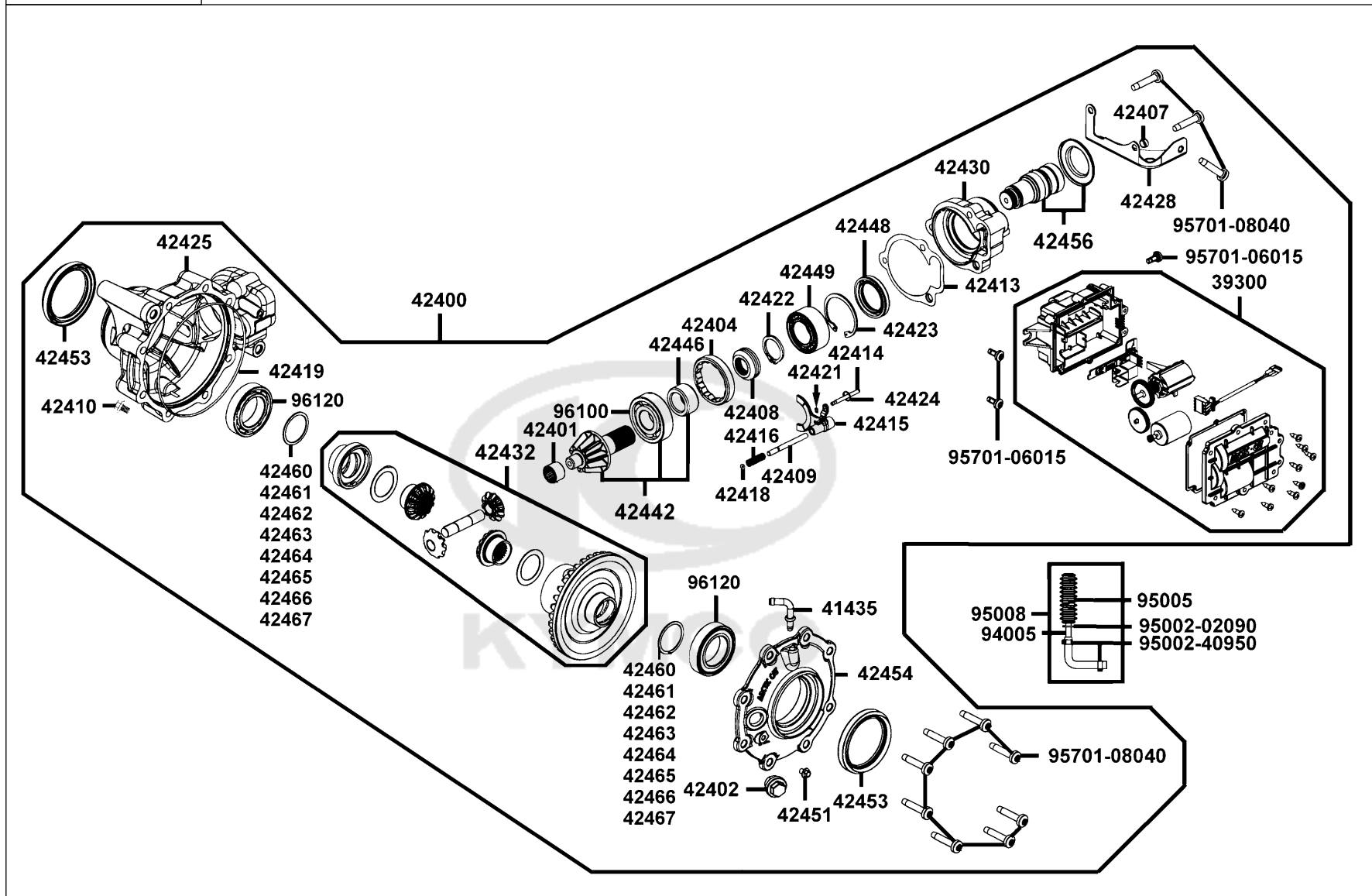
Sales mark	Ref no	Part no	Description	Reg description	Regd no	E08
	94510-12000	94510-12000	CIR CLIP EXTERNAL 12	CIR CLIP EXTERNAL 12	2	
	94510-25000	94510-25000	CIR CLIP EXTERNAL 25	CIR CLIP EXTERNAL 25	8	
	94611	94611-PWB1-900	CLIP DRUM SHAFT	CLIP DRUM SHAFT	1	
	95601	95601-PWB1-900	SUPPORT CAM STOPPER	SUPPORT CAM STOPPER	1	
#	95701	95701-06025-06	BOLT FLANGE 6*25	BOLT FLANGE 6*25	1	
	96220	96220-40080	ROLLER 4*8	ROLLER 4*8	1	



Sales mark	Ref no	Part no	Description	Reg description	Regd no	E09
	39300	39300-LFA5-E00	2*4 ACTUATOR ASM	2*4 ACTUATOR ASM	1	
	41435	41435-LFA5-900	BARB 90 DEG	BARB 90 DEG	1	
	42400	42400-LGC3-900	GEARCASE FRONT (3.1) ASSEMBLY	GEARCASE FRONT (3.1) ASSEMBLY	1	
#	42401	42401-LFA5-900	BEARING NEEDLE	BEARING NEEDLE	1	
#	42401	42401-LFA5-90B	BEARING.NEEDLE(16NQ2316)	BEARING.NEEDLE(16NQ2316)	1	
	42402	42402-LFA5-900	PLUG FILL	PLUG FILL	1	
	42404	42404-LFA5-900	COLLAR LOCK M64X1.5 RH	COLLAR LOCK M64X1.5 RH	1	
	42407	42407-LFA5-900	PIN DOWEL	PIN DOWEL	1	
	42408	42408-LFA5-900	COUPLER DRIVE	COUPLER DRIVE	1	
	42409	42409-LFA5-900	SHAFT SHUTTLE	SHAFT SHUTTLE	1	
	42410	42410-LFA5-900	PLUG DRAIN MAG	PLUG DRAIN MAG	1	
	42413	42413-LFA5-900	GASKET FLANGE	GASKET FLANGE	1	
	42414	42414-LFA5-900	SHAFT SELECTOR	SHAFT SELECTOR	1	
	42415	42415-LFA5-900	FORK SELECTOR	FORK SELECTOR	1	
	42416	42416-LFA5-900	SPRING RETURN 4WD	SPRING RETURN 4WD	1	
	42418	42418-LFA5-900	O-RING 3*2MM	O-RING 3*2MM	1	
	42419	42419-LFA5-900	O-RING 150*2MM	O-RING 150*2MM	1	
	42421	42421-LFA5-900	RING RETAINING (4mm EXT)	RING RETAINING (4mm EXT)	1	
	42422	42422-LFA5-900	RING RETAINING ONE	RING RETAINING ONE	1	
	42423	42423-LFA5-900	RING RETAINING	RING RETAINING	1	



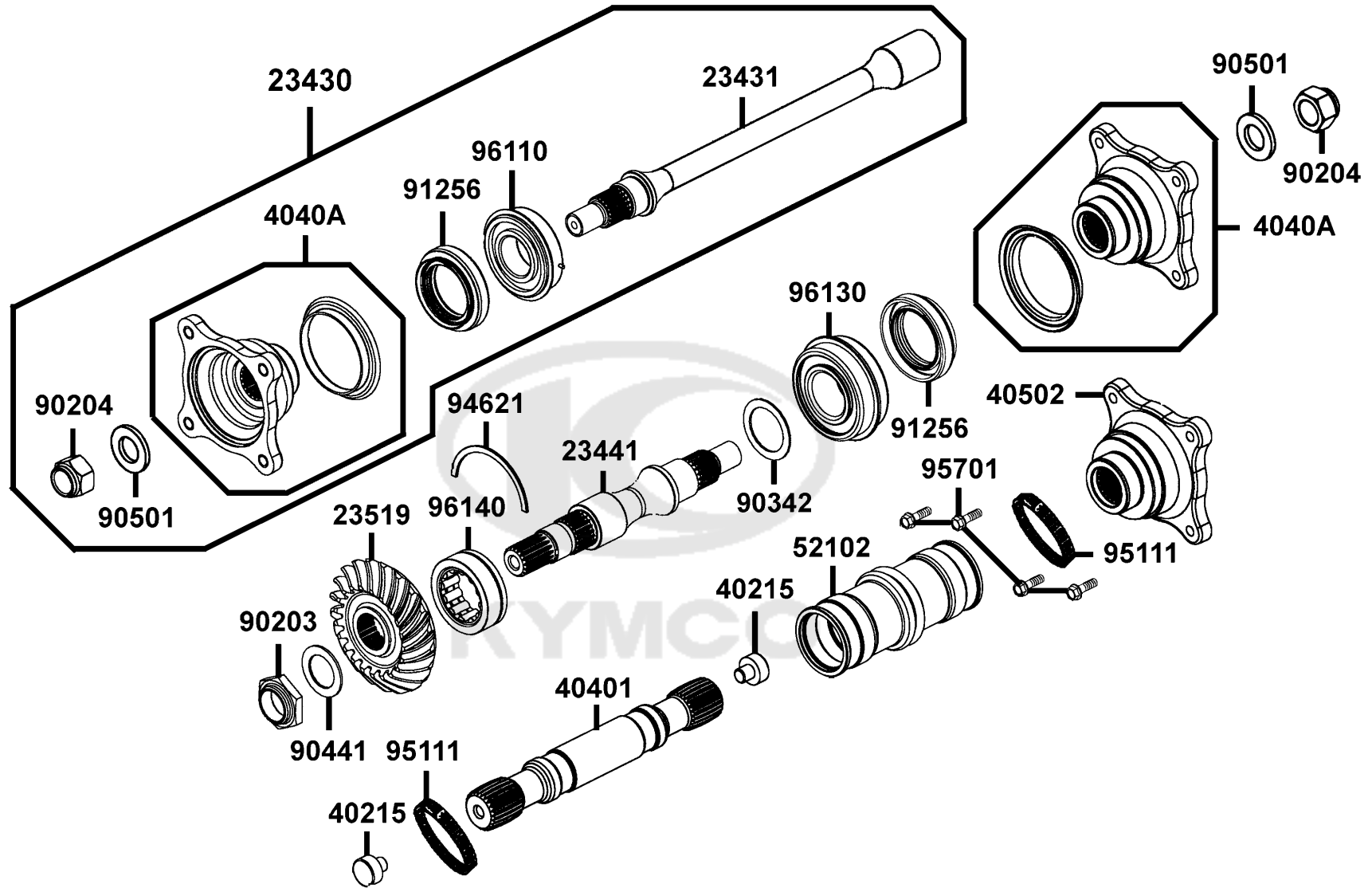
Sales mark	Ref no	Part no	Description	Reg description	Regd no	E09
	42424	42424-LFA5-900	O-RING ACTUATOR	O-RING ACTUATOR	1	
	42425	42425-LFA5-900	HOUSING GEARCASE-FRONT MACH	HOUSING GEARCASE-FRONT MACH	1	
	42428	42428-LFA5-900	BRACKET ACTUATOR WELDT	BRACKET ACTUATOR WELDT	1	
	42430	42430-LFA5-900	HOUSING PINION MACH	HOUSING PINION MACH	1	
	42432	42432-LFA5-900	GEAR(34 TOOTH 3.1)-WELDMENT	GEAR(34 TOOTH 3.1)-WELDMENT	1	
	42442	42442-LFA5-900	PINION(11 TOOTH)-ASSEMBLY	PINION(11 TOOTH)-ASSEMBLY	1	
	42446	42446-LFA5-900	COLLAR RETAINING	COLLAR RETAINING	1	
	42448	42448-LFA5-900	SEAL 38*55*14	SEAL 38*55*14	1	
#	42449	42449-LFA5-900	BEARING BALL DOUBLE ROW	BEARING BALL DOUBLE ROW	1	
#	42449	42449-LFA5-90B	BEARING.BALL-DOUBLE ROW	BEARING.BALL-DOUBLE ROW	1	
	42451	42451-LFA5-900	PLUG OIL LEVEL	PLUG OIL LEVEL	1	
	42453	42453-LGC3-900	OIL SEAL 48*84*9	OIL SEAL 48*84*9	2	
	42454	42454-LFA5-900	COVER GEARCASE-FR MACH	COVER GEARCASE-FR MACH	1	
	42456	42456-LFA5-900	SHAFT INPUT ASSEMBLY	SHAFT INPUT ASSEMBLY	1	
	42460	42460-LFA5-900	SHIM 41*49*1.0	SHIM 41*49*1.0	2	
	42461	42461-LFA5-900	SHIM 41*49*1.1	SHIM 41*49*1.1	2	
	42462	42462-LFA5-900	SHIM 41*49*1.2	SHIM 41*49*1.2	2	
	42463	42463-LFA5-900	SHIM 41*49*1.3	SHIM 41*49*1.3	2	
	42464	42464-LFA5-900	SHIM 41*49*1.4	SHIM 41*49*1.4	2	
	42465	42465-LFA5-900	SHIM 41*49*1.5	SHIM 41*49*1.5	2	



Sales mark	Ref no	Part no	Description	Reg description	Regd no	E09
	42466	42466-LFA5-900	SHIM 41*49*1.6	SHIM 41*49*1.6	2	
	42467	42467-LFA5-900	SHIM 41*49*1.7	SHIM 41*49*1.7	2	
	94005	94005-PWB1-900	HOSE BARB INTAKE MANIFOLD	HOSE BARB INTAKE MANIFOLD	1	
	95002-02090	95002-02090	CLIP B9 TUBE	CLIP B9 TUBE	1	
	95002-40950	95002-40950-08	CLAMP D9.5 TUBE	CLAMP D9.5 TUBE	2	
	95005	95005-PWB1-900	BREATH TUBE RR GEAR ASSY	BREATH TUBE RR GEAR ASSY	1	
	95008	95008-PWB1-900	HOSE VENT-GEARCASE (64mm)	HOSE VENT-GEARCASE (64mm)	1	
	95701-06015	95701-06015-08	BOLT FLANGE 6*15 (C)	BOLT FLANGE 6*15 (C)	3	
#	95701-08040	95701-08040-06	BOLT FLANGE 8x40 (G)	BOLT FLANGE 8x40 (G)	1	
	96100	96100-63050-00	BRG BALL RADIAL 6305	BRG BALL RADIAL 6305	1	
	96120	96120-60080-10	BEARING BALL	BEARING BALL	2	

E10

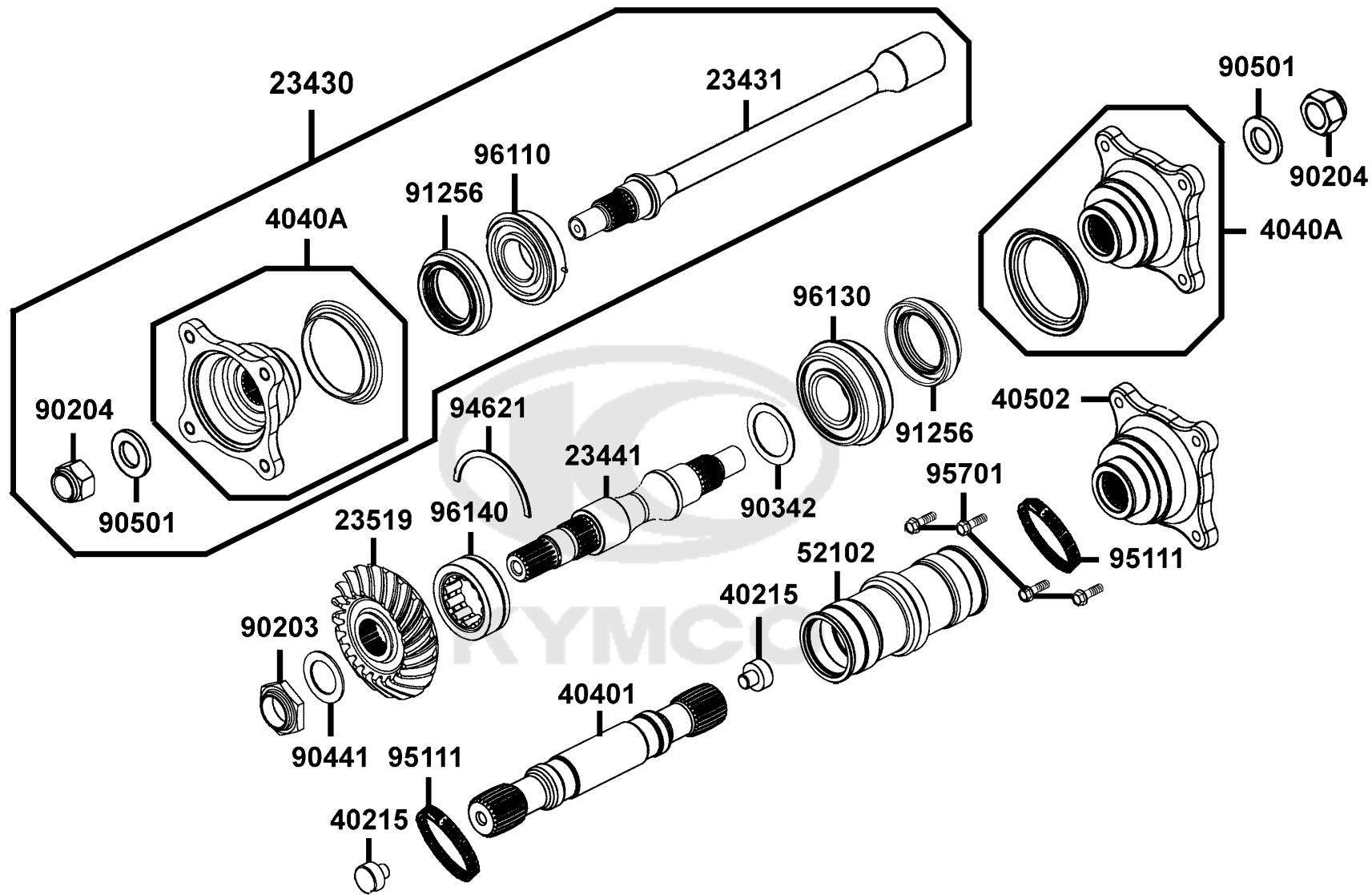
Shaft Drive Front



Sales mark	Ref no	Part no	Description	Reg description	Regd no	E10
	23430	23430-PWB1-900	SHAFT ASSY FINAL DRIVEN FR	SHAFT ASSY FINAL DRIVEN FR	1	
	23431	23431-PWB1-900	SHAFT FINAL DRIVEN FRONT	SHAFT FINAL DRIVEN FRONT	1	
	23441	23441-PWB1-900	SHAFT FINAL DRIVEN REAR	SHAFT FINAL DRIVEN REAR	1	
	23519	23519-PWB1-900	BEVEL GEAR DRIVEN	BEVEL GEAR DRIVEN	1	
	40215	40215-PWB1-900	BUMPER DRIVESHAFT	BUMPER DRIVESHAFT	2	
	40401	40401-PWB1-900	SHAFT PROPELLER FRONT	SHAFT PROPELLER FRONT	1	
	4040A	4040A-PWB1-900	COUPLING REAR OUTPUT SHAFT	COUPLING REAR OUTPUT SHAFT	2	
	40502	40502-PWB1-900	FLANGE OUTPUT	FLANGE OUTPUT	1	
	52102	52102-PWB1-900	BOOT COUPLER-FRONT	BOOT COUPLER-FRONT	1	
	90203	90203-PWB1-900	NUT DRIVEN B GEAR M22X1.5	NUT DRIVEN B GEAR M22X1.5	1	
#	90204	90204-PWB1-910	NUT HEX SHOULDER (M16X1.5)	NUT HEX SHOULDER (M16X1.5)	1	
	90342	90342-PWB1-900	SHIM DRIVEN BEVEL GEAR T=1.15MM	SHIM DRIVEN BEVEL GEAR T=1.15MM	1	
	90441	90441-LBA2-E00	WASHER 22*34*2.5	WASHER 22*34*2.5	1	
#	90501	90443-KKE5-E00	WASHER 16mm	WASHER 16mm	1	
	91256	91256-PWB1-900	OIL SEAL 34X52X9	OIL SEAL 34X52X9	2	
	94621	94621-PWB1-900	RING DRIVEN BEARING	RING DRIVEN BEARING	1	
	95111	95111-PWB1-900	CLAMP BOOT	CLAMP BOOT	2	
	95701	95701-08020-06	BOLT FLANGE 8*20	BOLT FLANGE 8*20	4	
	96110	96110-PWB1-900	BRG BALL SNAP 25X52X15	BRG BALL SNAP 25X52X15	1	
	96130	96130-PWB1-900	BEARING BALL D/R 25X52X20.6	BEARING BALL D/R 25X52X20.6	1	

E10

Shaft Drive Front



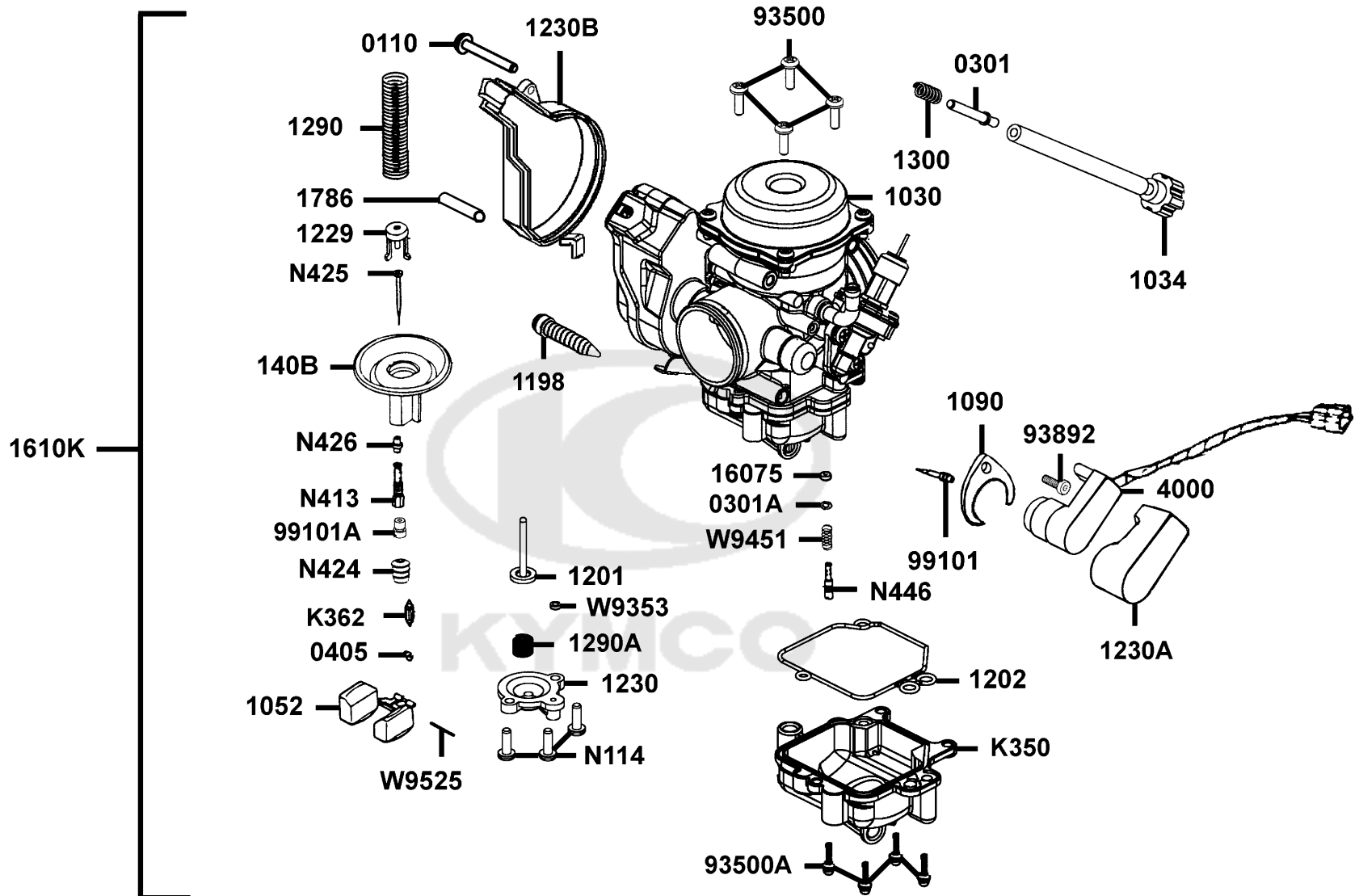
Sales mark	Ref no	Part no	Description	Reg description	Regd no	E10
------------	--------	---------	-------------	-----------------	---------	------------

96140	96140-PWB1-900	96140-PWB1-900	BRG ROLLER 30X50X17	BRG ROLLER 30X50X17	1	
-------	----------------	----------------	---------------------	---------------------	---	--



E11

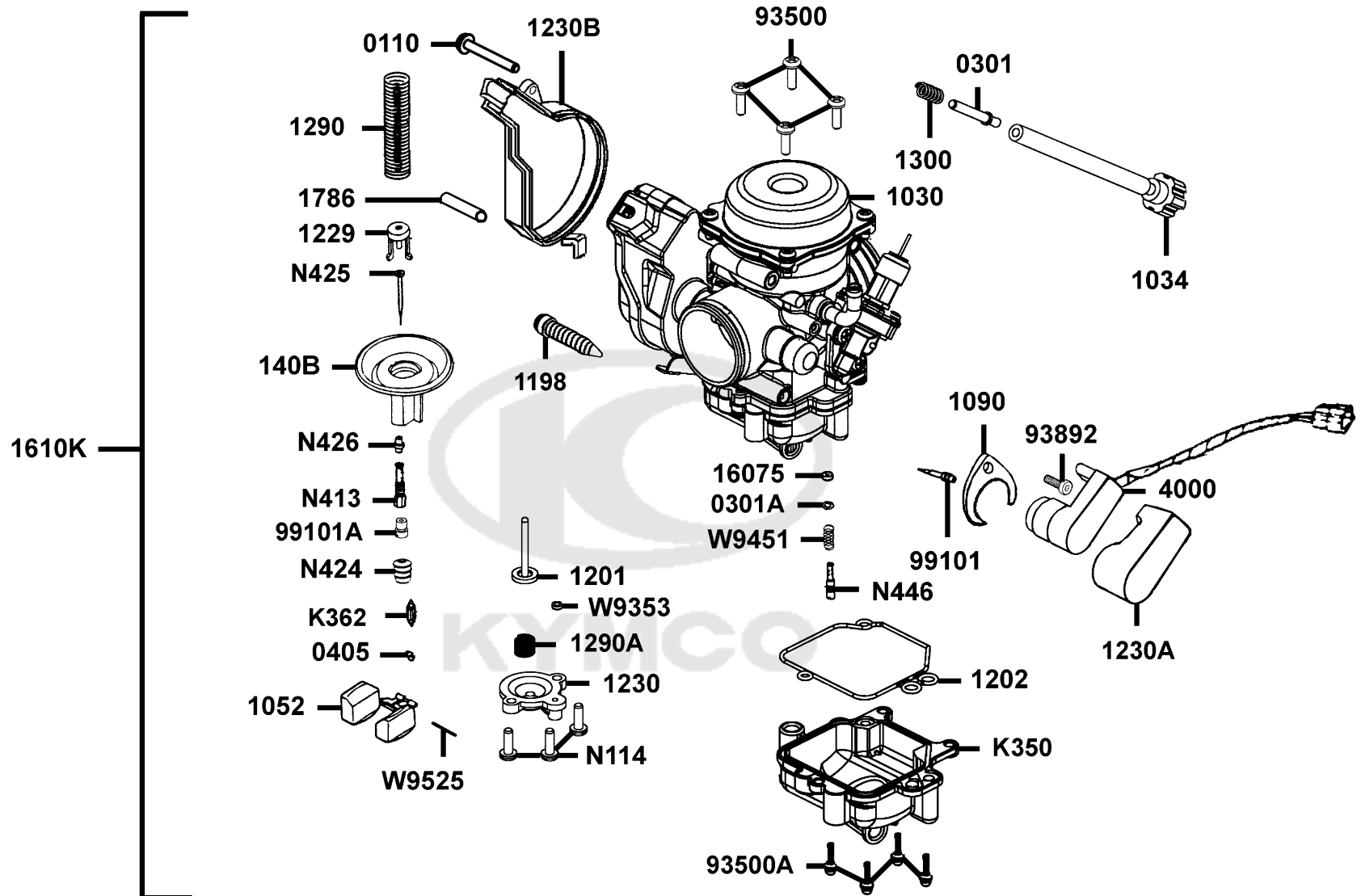
Carburetor



Sales mark	Ref no	Part no	Description	Reg description	Regd no	E11
0110		0110-803-1100	SCREW PAN	SCREW PAN	1	
0301		0301-800-2000	WASHER	WASHER	1	
0301A		0301-803-2000	PLAIN WASHER	PLAIN WASHER	1	
0405		0405-019-1000	CLIP	CLIP	1	
1030		1030-905-2100	TOP COMP	TOP COMP	1	
1034		1034-868-2400	STOP SCREW	STOP SCREW	1	
1052		1052-829-2100	FLOAT COMP	FLOAT COMP	1	
1090		1090-872-2000	SET PLATE	SET PLATE	1	
1198		1198-816-2000-3	DRAIN SCREW	DRAIN SCREW	1	
1201		1201-869-2100	DIAPHRAGM COMP	DIAPHRAGM COMP	1	
1202		1202-855-6000	CHAMBER GASKET	CHAMBER GASKET	1	
1229		1229-801-7000	SPG SEAT	SPG SEAT	1	
1230		1230-842-2000	COVER	COVER	1	
1230A		1230-862-7001	COVER	COVER	1	
1230B		1230-922-7000	COVER	COVER	1	
1290		1290-945-2000	COIL SPG	COIL SPG	1	
1290A		1290-A60-2000	COIL SPG	COIL SPG	1	
1300		1300-196-2001	COIL SPG	COIL SPG	1	
140B		140B-A15C-0000	VALVE ASSY PISTON	VALVE ASSY PISTON	1	
16075		16075-KG8-9010-M1	O-RING	O-RING	1	

E11

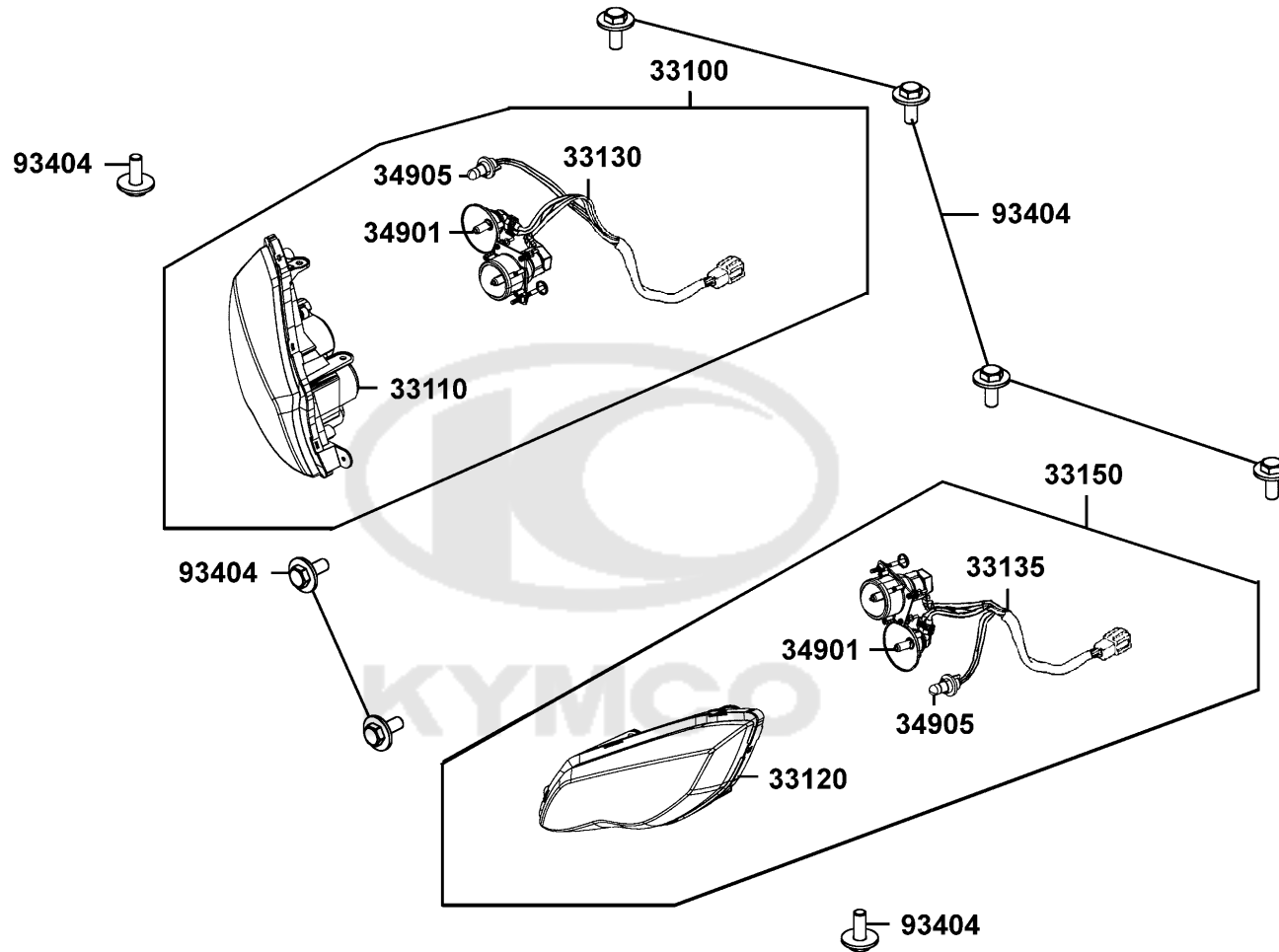
Carburetor



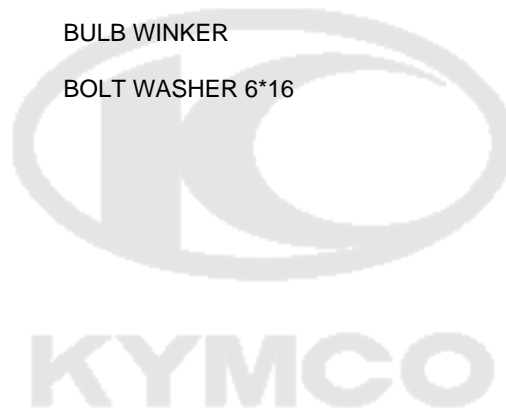
Sales mark	Ref no	Part no	Description	Reg description	Regd no	E11
	1610K	1610K-LFA5-E00	CARBURETOR ASSY	CARBURETOR ASSY	1	
	1786	1786-A15C-0001	PIPE	PIPE	1	
	4000	4000-319-0000	AUTO BY-STARTER ASSY	AUTO BY-STARTER ASSY	1	
	93500	93500-04008-1H-3	SCREW PAN	SCREW PAN	4	
	93500A	93500-04014-1H-3	SCREW PAN	SCREW PAN	4	
#	93892	93892-04008-16	SCREW WASHER 4*8	SCREW WASHER 4*8	1	
	99101	99101-393-0750	MAIN JET #75	MAIN JET #75	1	
	99101A	99101-393-1200	MAIN JET #120	MAIN JET #120	1	
#	K350	K350-186-0100-3	CHAMBER ASSY FLOAT	CHAMBER ASSY FLOAT	1	
#	K362	K362-186-0100	FLOAT VALVE COMP	FLOAT VALVE COMP	1	
	N114	N114-04103	WASHER SCREW	WASHER SCREW	3	
	N413	N413-03C00	NEEDLE JET HOLDER	NEEDLE JET HOLDER	1	
	N424	N424-25B38	SLOW JET	SLOW JET	1	
	N425	N425-AZG00	JET NEEDLE COMP	JET NEEDLE COMP	1	
	N426	N426-01A40	JET NEEDLE	JET NEEDLE	1	
	N446	N446-02C00	SCREW ADJUST (P.S)	SCREW ADJUST (P.S)	1	
	W9353	W9353-36000	U RING	U RING	1	
	W9451	W9451-03212	COIL SPG	COIL SPG	1	
	W9525	W9525-25250	ARM PIN	ARM PIN	1	

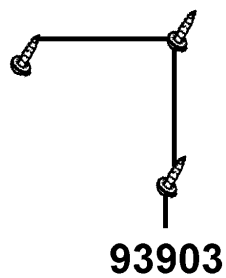
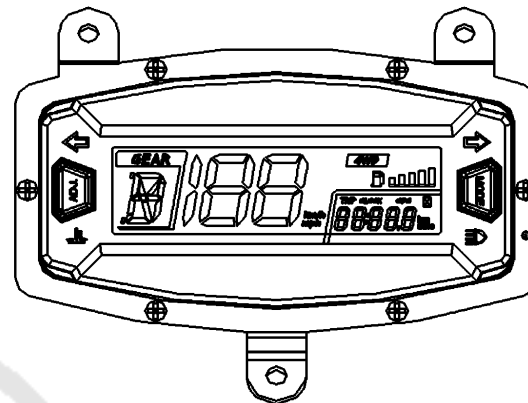
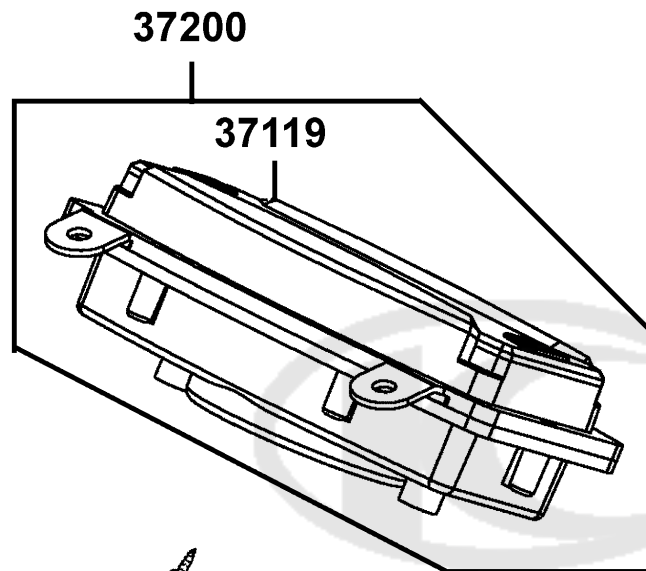
F01

Head Light



Sales mark	Ref no	Part no	Description	Reg description	Regd no	F01
	33100	33100-LGN5-E00	LIGHT ASSY R HEAD	LIGHT ASSY R HEAD	1	
	33110	33110-LGN5-E00	UNIT HEAD LIGHT R	UNIT HEAD LIGHT R	1	
	33120	33120-LGN5-E00	UNIT HEAD LIGHT L	UNIT HEAD LIGHT L	1	
	33130	33130-LGN5-E00	SOCKET COMP	SOCKET COMP	1	
	33135	33135-LGN5-E00	SOCKET COMP	SOCKET COMP	1	
	33150	33150-LGN5-E00	LIGHT ASS'Y L HEAD	LIGHT ASS'Y L HEAD	1	
	34901	34901-KGB5-M30	BULB HEAD LIGHT	BULB HEAD LIGHT	4	
	34905	34905-LCA5-E00	BULB WINKER	BULB WINKER	2	
	93404	93404-06016-06	BOLT WASHER 6*16	BOLT WASHER 6*16	8	





KYMCO

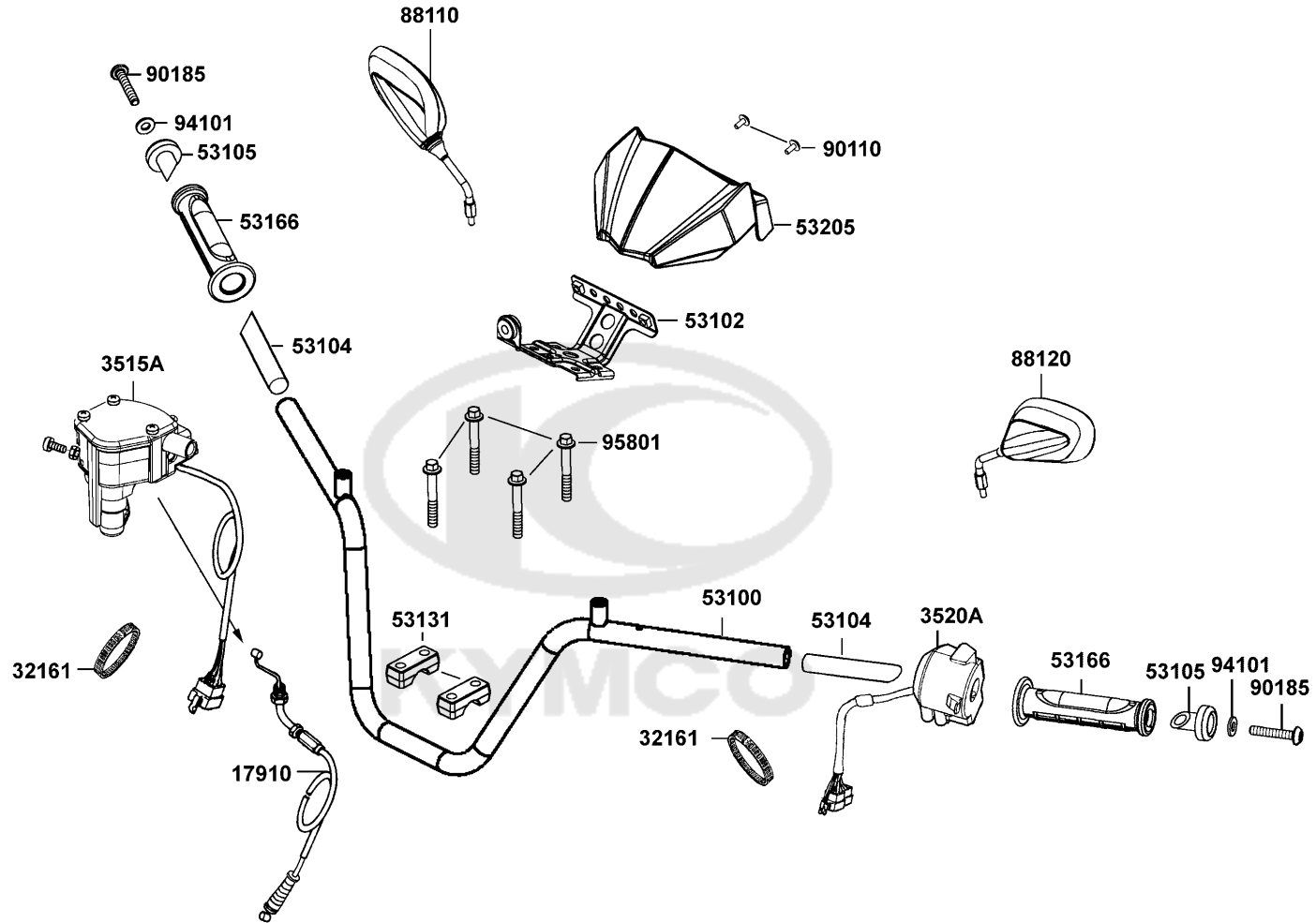
Sales mark	Ref no	Part no	Description	Reg description	Regd no	F02
------------	--------	---------	-------------	-----------------	---------	------------

	37119	37119-LFA5-E00	LENS ASSY	LENS ASSY	1	
	37200	37200-LGN5-E00	DIGITAL GAUGE	DIGITAL GAUGE	1	
#	93903	93903-35360	SCREW TAPPING 5*16	SCREW TAPPING 5*16	3	



F03

Tube Handlebar



Sales mark	Ref no	Part no	Description	Reg description	Regd no	F03
	17910	17910-LFA5-E00	CABLE COMP THROT	CABLE COMP THROT	1	
	32161	32161-4D04-001	BAND BI WIRE	BAND BI WIRE	2	
	3515A	3515A-LDB5-E00	SW & THROT ASSY RH HNDL	SW & THROT ASSY RH HNDL	1	
	3520A	3520A-LDB5-E00	SW ASSY HANDLE COMP	SW ASSY HANDLE COMP	1	
	53100	53100-LGN5-E00	TUBE. HANDLEBAR	TUBE. HANDLEBAR	1	
	53102	53102-LGN5-E00	STAY HANDLE COVER	STAY HANDLE COVER	1	
	53104	53104-PWB1-900	PLUG HANDLEBAR	PLUG HANDLEBAR	2	
	53105	53105-PWB1-900	END HANDLEBAR-BLACK	END HANDLEBAR-BLACK	2	
	53131	53131-PWB1-900	CAP STEERING ADJUSTER	CAP STEERING ADJUSTER	2	
	53166	53166-LGN5-E00	GRIP HANDLEBAR	GRIP HANDLEBAR	2	
**	53205	53205-LGN5-E00	COVER HANDLE	COVER HANDLE	1	
# **	88110	88110-LDF3-E01	MIRROR ASSY R BACK	MIRROR ASSY R BACK	1	
# **	88120	88120-LDF3-E01	MIRROR ASSY L BACK	MIRROR ASSY L BACK	1	
	90110	90110-PWA2-900	BOLT SPECIAL 6*16	BOLT SPECIAL 6*16	2	
	90185	90185-PWB1-900	SOCKET BOLT 8x45	SOCKET BOLT 8x45	2	
	94101	94101-08600	WASH PLAIN 8MM	WASH PLAIN 8MM	2	
#	95801	95801-08055-06	BOLT FLANGE 8*55	BOLT FLANGE 8*55	1	

Sales mark	Ref no	Part no	Description	Reg description	Regd no	F04
	35340	35340-LDB5-900	SW ASSY FR STOP	SW ASSY FR STOP	1	
	43127	43127-LFA5-E00	HOSE BRAKE SECONDARY	HOSE BRAKE SECONDARY	1	
	43450	43450-LFA5-E00	CABLE PARKING BRAKE	CABLE PARKING BRAKE	1	
	43525	43525-PWA1-900	LEVER PARKING	LEVER PARKING	1	
	43526	43526-PWA1-900	SPRING RETURN	SPRING RETURN	1	
	43527	43527-PWA1-900	PIN	PIN	1	
	43528	43528-PWA1-900	CLIP	CLIP	1	
#	43530	43530-LFA5-306	CYLINDER SET RR MASTER	CYLINDER SET RR MASTER	1	
	43600	43600-LDB5-E00	PGV ASSY	PGV ASSY	1	
	45124	45124-PWB1-E00	STAY PGV	STAY PGV	1	
	45125	45125-LFA5-E00	HOSE BRAKE-JUNCTION/DIRM	HOSE BRAKE-JUNCTION/DIRM	1	
	45126	45126-LFA5-E00	HOSE ASSY FR BRK/855MM	HOSE ASSY FR BRK/855MM	1	
#	45127	45127-LFA5-E00	HOSE BRAKE LH M/C-FOOT M/C	HOSE BRAKE LH M/C-FOOT M/C	1	
#	45127	45127-LGN5-900	HOSE . BRAKE LHM/C-FOOT M/C	HOSE . BRAKE LHM/C-FOOT M/C	1	
	45128	45128-LFA5-E01	HOSE FR BRK	HOSE FR BRK	1	
	45132	45132-LBA7-900	CLAMPER FR BRAKE HOSE	CLAMPER FR BRAKE HOSE	2	
	45513	45513-KKC4-900	CAP M/C	CAP M/C	1	
	45513A	45513-LEA7-E00	CAP MASTER CYLINDER	CAP MASTER CYLINDER	1	
	45517	45517-KFAF-910	HOLDER M/C	HOLDER M/C	2	
	45517A	45517-LDE9-E00	HOLDER	HOLDER	1	

Sales mark	Ref no	Part no	Description	Reg description	Regd no	F04
	45520	45520-KKA8-900	DIAPHRAGM	DIAPHRAGM	1	
	45520A	45520-KKC4-900	DIAPHRAGM	DIAPHRAGM	1	
	45525	45525-LBA7-900	STOPPER	STOPPER	1	
	45526	45526-LBA7-900	SPRING	SPRING	1	
	45527	45527-LBA7-900	PIN PARK	PIN PARK	1	
	45530	45530-LDB5-305	CYLINDER SET FR	CYLINDER SET FR	1	
#	53175	53175-LFA5-305	LEVER SET BRK	LEVER SET BRK	1	
	53178	53178-PWA1-900	LEVER L STRG HANDLE	LEVER L STRG HANDLE	1	
	53190	53190-LDE9-E00	LEVER	LEVER	1	
	53192	53192-LDE9-E00	BRACKET	BRACKET	1	
	53193	53193-LDE9-E00	STOPPER	STOPPER	1	
	53194	53194-LDE9-E00	PIVOT	PIVOT	2	
	90113	90113-KKA8-900	BOLT L STEERING HANDLE	BOLT L STEERING HANDLE	1	
	90114	90114-1F66-007	BOLT HANDLE LEVER	BOLT HANDLE LEVER	1	
	90145	90145-MKS9-61A	OIL BOLT 10*22	OIL BOLT 10*22	9	
	90545	90545-3L00-001	WASHER OIL BOLT	WASHER OIL BOLT	18	
	93600	93600-04012-1G	SCREW FLAT 4*12	SCREW FLAT 4*12	4	
	93600A	93600-LDE9-E00	SCREW FLAT M6	SCREW FLAT M6	2	
	94050	94050-06060	NUT FLANGE 6MM	NUT FLANGE 6MM	2	
	95701	95701-06012-06	BOLT FLANGE 6*12	BOLT FLANGE 6*12	3	

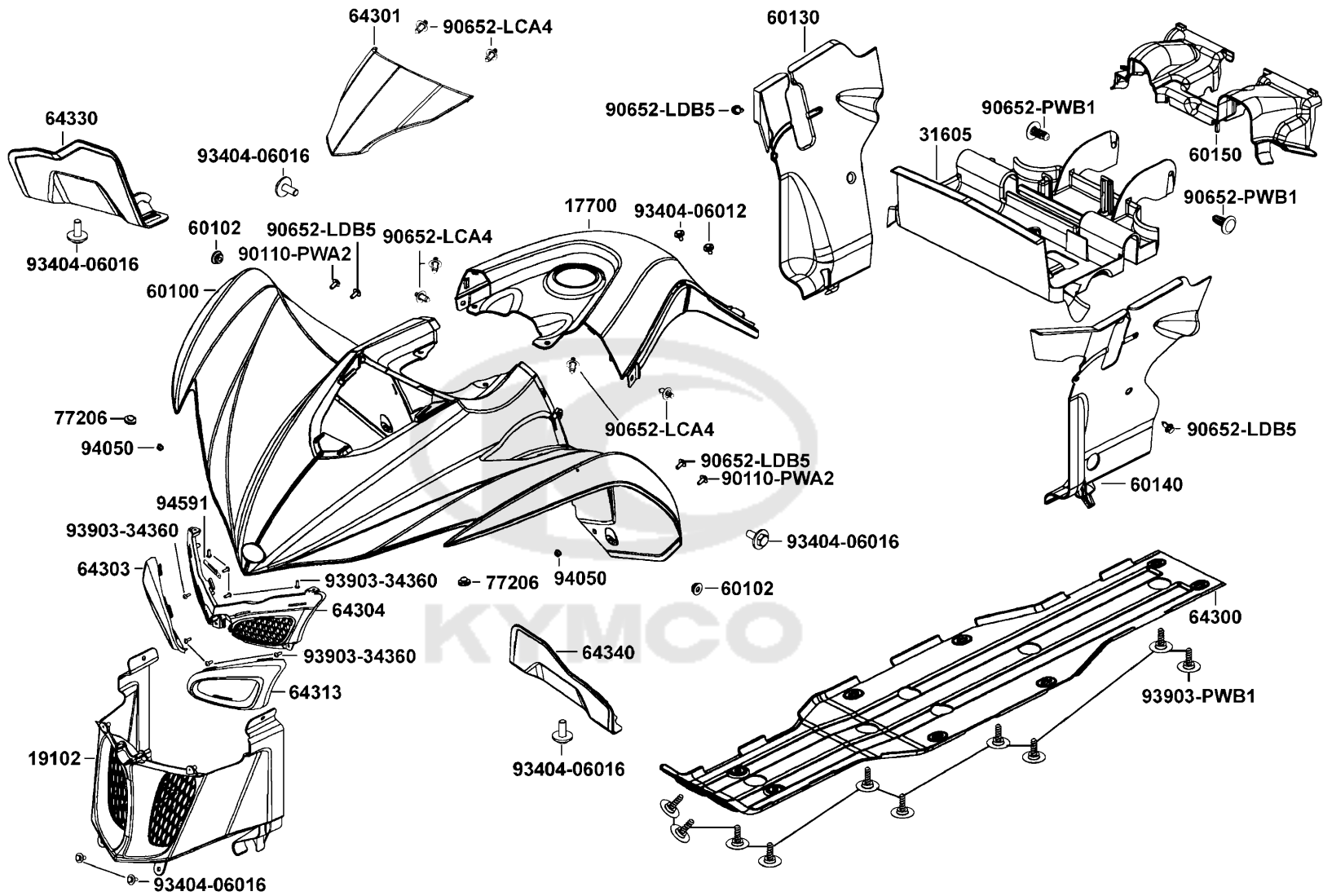
Sales mark	Ref no	Part no	Description	Reg description	Regd no	F04
------------	--------	---------	-------------	-----------------	---------	------------

#	95701A	95701-06040-06	BOLT FLANGE 6*40	BOLT FLANGE 6*40	2	
	96001	96001-06022-06	BOLT FLANGE SH 6*22 (G)	BOLT FLANGE SH 6*22 (G)	4	



F05

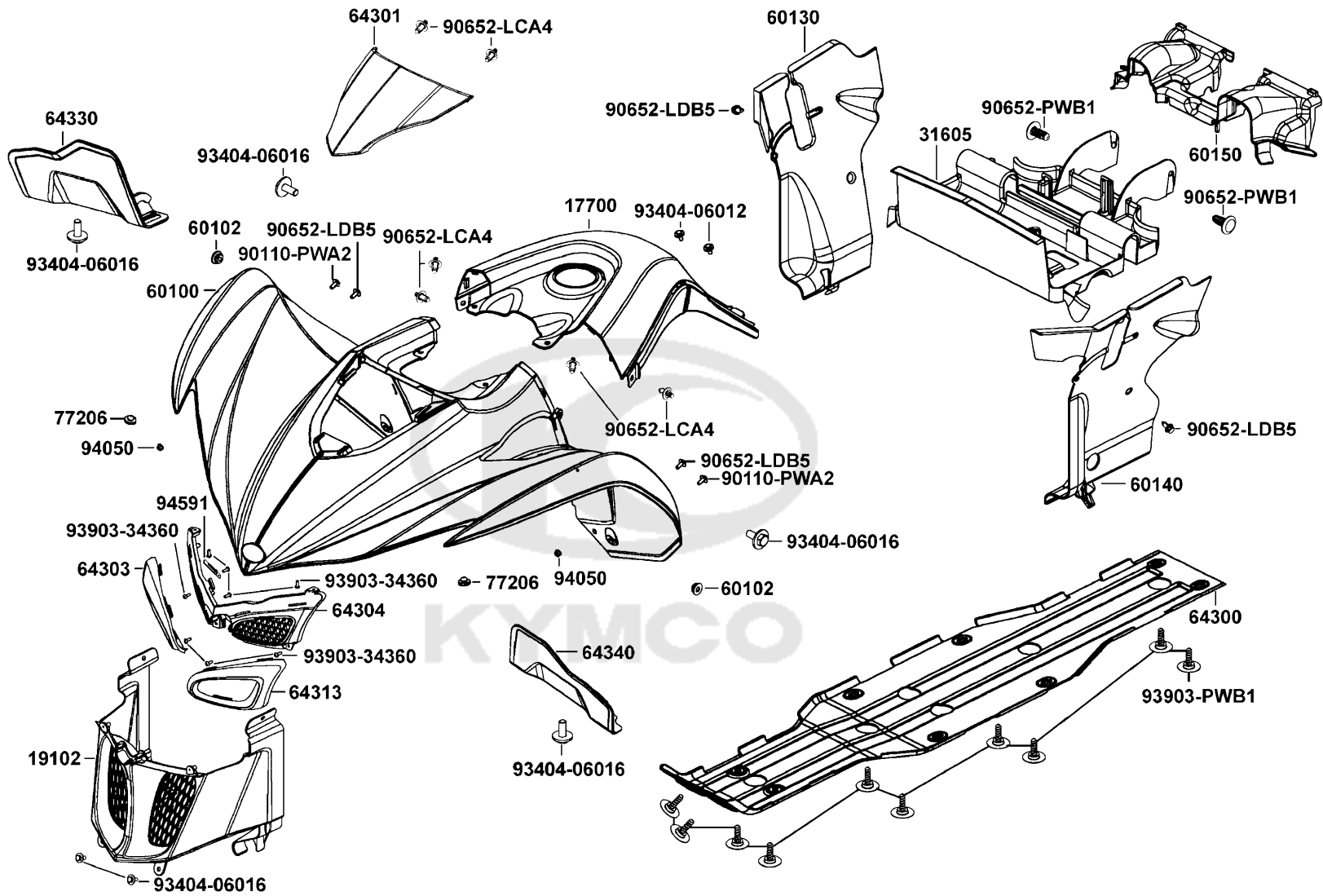
Fender Front



Sales mark	Ref no	Part no	Description	Reg description	Regd no	F05
**	17700	17700-LGN5-E00	COVER TANK	COVER TANK	1	
**	19102	19102-LGN5-E01	DUCT.COOLING AIR	DUCT.COOLING AIR	1	
**	31605	31605-PWB1-900	TRAY ELECTRICAL	TRAY ELECTRICAL	1	
**	60100	60100-LGN5-E00	FENDER FRONT	FENDER FRONT	1	
	60102	60102-PWB1-900	GROMMET PANEL-SIDE	GROMMET PANEL-SIDE	2	
**	60130	60130-PWB1-910	PANEL SPLASH-RIGHT	PANEL SPLASH-RIGHT	1	
**	60140	60140-PWB1-E01	PANEL.SPLASH-LEFT	PANEL.SPLASH-LEFT	1	
**	60150	60150-LFA5-E01	COVER WATERPROOF	COVER WATERPROOF	1	
**	64300	64300-PWB1-910	PLATE SKID	PLATE SKID	1	
**	64301	64301-LGN5-Y00	COVER FRONT	COVER FRONT	1	
**	64303	64303-LGN5-E00	COVER R GRILLE	COVER R GRILLE	1	
**	64304	64304-LGN5-E01	GRILL FRONT	GRILL FRONT	1	
**	64313	64313-LGN5-E00	COVER L GRILLE	COVER L GRILLE	1	
**	64330	64330-LFE9-E00	GUARD R BOOT	GUARD R BOOT	1	
**	64340	64340-LFE9-E01	GUARD L BOOT	GUARD L BOOT	1	
	77206	77206-PWB1-900	BUMPER.SEAT	BUMPER.SEAT	1	
	90110-PWA2	90110-PWA2-900	BOLT SPECIAL 6*16	BOLT SPECIAL 6*16	2	
	90652-LCA4	90652-LCA4-E00	CLIP MUDGUARD	CLIP MUDGUARD	6	
	90652-LDB5	90652-LDB5-900	CLIP MUDGUARD	CLIP MUDGUARD	4	
	90652-PWB1	90652-PWB1-900	X'MAS TREE CLIP	X'MAS TREE CLIP	2	

F05

Fender Front

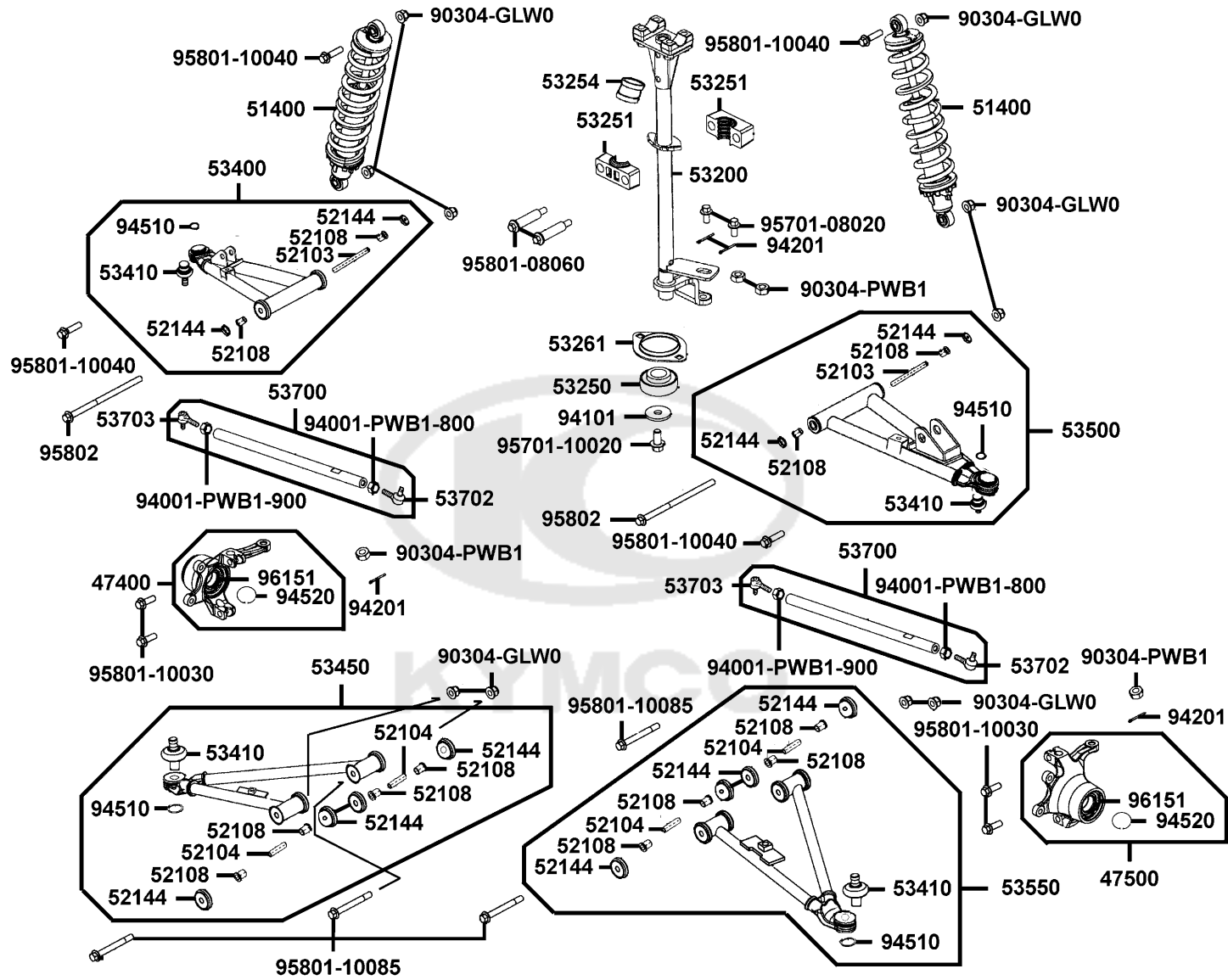


Sales mark	Ref no	Part no	Description	Reg description	Regd no	F05
	93404-06012	93404-06012-06	BOLT WASHER 6*12 (G)	BOLT WASHER 6*12 (G)	2	
	93404-06016	93404-06016-06	BOLT WASHER 6*16	BOLT WASHER 6*16	6	
#	93903-34360	93903-34360	SCREW TAPPING 4*12 (G)	SCREW TAPPING 4*12 (G)	8	
	93903-PWB1	93903-PWB1-900	SCREW BODY-SELF TAP #12x3/4 A	SCREW BODY-SELF TAP #12x3/4 A	10	
	94050	94050-PWA2-900	NUT LOCK	NUT LOCK	2	
	94591	94591-27000	CLIP 2*70	CLIP 2*70	1	



Sales mark	Ref no	Part no	Description	Reg description	Regd no	F06
	47400	47400-PWB1-900	KNUCKLE STEERING ASSEMBLY	KNUCKLE STEERING ASSEMBLY	1	
	47500	47500-PWB1-900	KNUCKLE STEERING ASSEMBLY	KNUCKLE STEERING ASSEMBLY	1	
# **	51400	51400-LGN5-E00	CUSHION ASSY FR	CUSHION ASSY FR	2	
# **	51400	51400-LGN5-E01	CUSHION ASSY. FR	CUSHION ASSY. FR	2	
	52103	52103-PWB1-900	SLEEVE SUSPENSION	SLEEVE SUSPENSION	2	
	52104	52104-PWB1-900	SLEEVE SUSPENSION	SLEEVE SUSPENSION	4	
	52108	52108-PWB1-900	BUSHING SUSPENSION	BUSHING SUSPENSION	12	
	52144	52144-PWB1-900	SEAL SUSPENSION	SEAL SUSPENSION	12	
#	53200	53200-LGC7-E00	POST STEERING	POST STEERING	2	
	53250	53250-PWB1-900	BEARING STEERING-LOW SPEED	BEARING STEERING-LOW SPEED	1	
	53251	53251-LGN5-E00	HOLDER STEM STRG	HOLDER STEM STRG	2	
	53254	53254-LBA7-900	SLEEVE STEM	SLEEVE STEM	1	
	53261	53261-PWB1-900	FLANGE BEARING-TWO MTG HOLE	FLANGE BEARING-TWO MTG HOLE	1	
**	53400	53400-LGN5-E00	A-ARM. FRONT-UPPER-RH-ASSY	A-ARM. FRONT-UPPER-RH-ASSY	1	
#	53410	53410-PRB1-900	BALL JOINT ASSY	BALL JOINT ASSY	1	
**	53450	53450-LGN5-E00	A-ARM ASSY FRONT LWR RH/LH	A-ARM ASSY FRONT LWR RH/LH	1	
**	53500	53500-LGN5-E00	A-ARM FRONT-UPPER-LH-ASSY	A-ARM FRONT-UPPER-LH-ASSY	1	
**	53550	53550-LGN5-E00	A-ARM ASSY FRONT LWR RH/LH	A-ARM ASSY FRONT LWR RH/LH	1	
#	53700	53700-LGC7-E00	TIE ROD ASSY	TIE ROD ASSY	2	
#	53700	53700-PWB1-900	TIE ROD -ASSY	TIE ROD -ASSY	2	

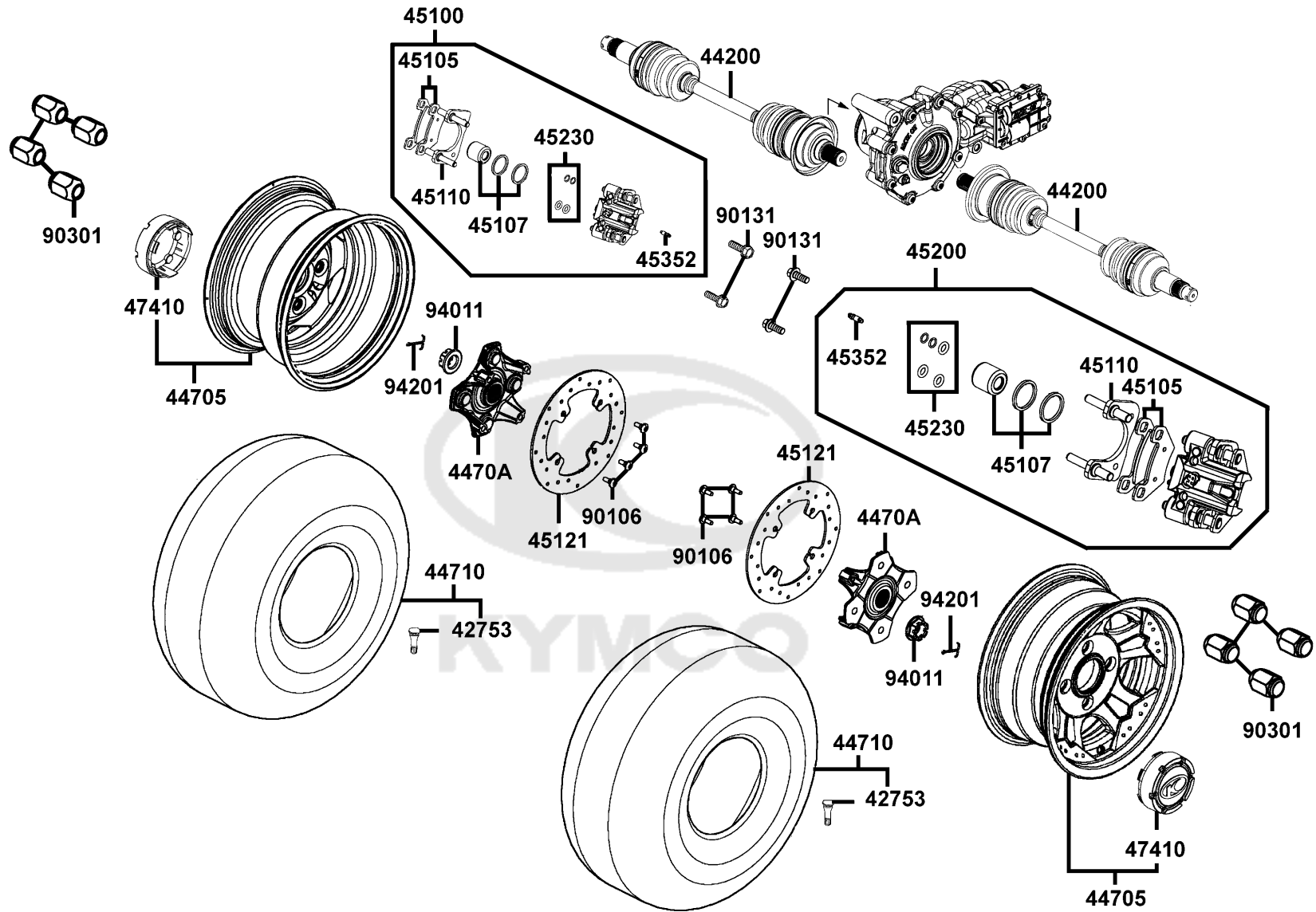
Post Steering



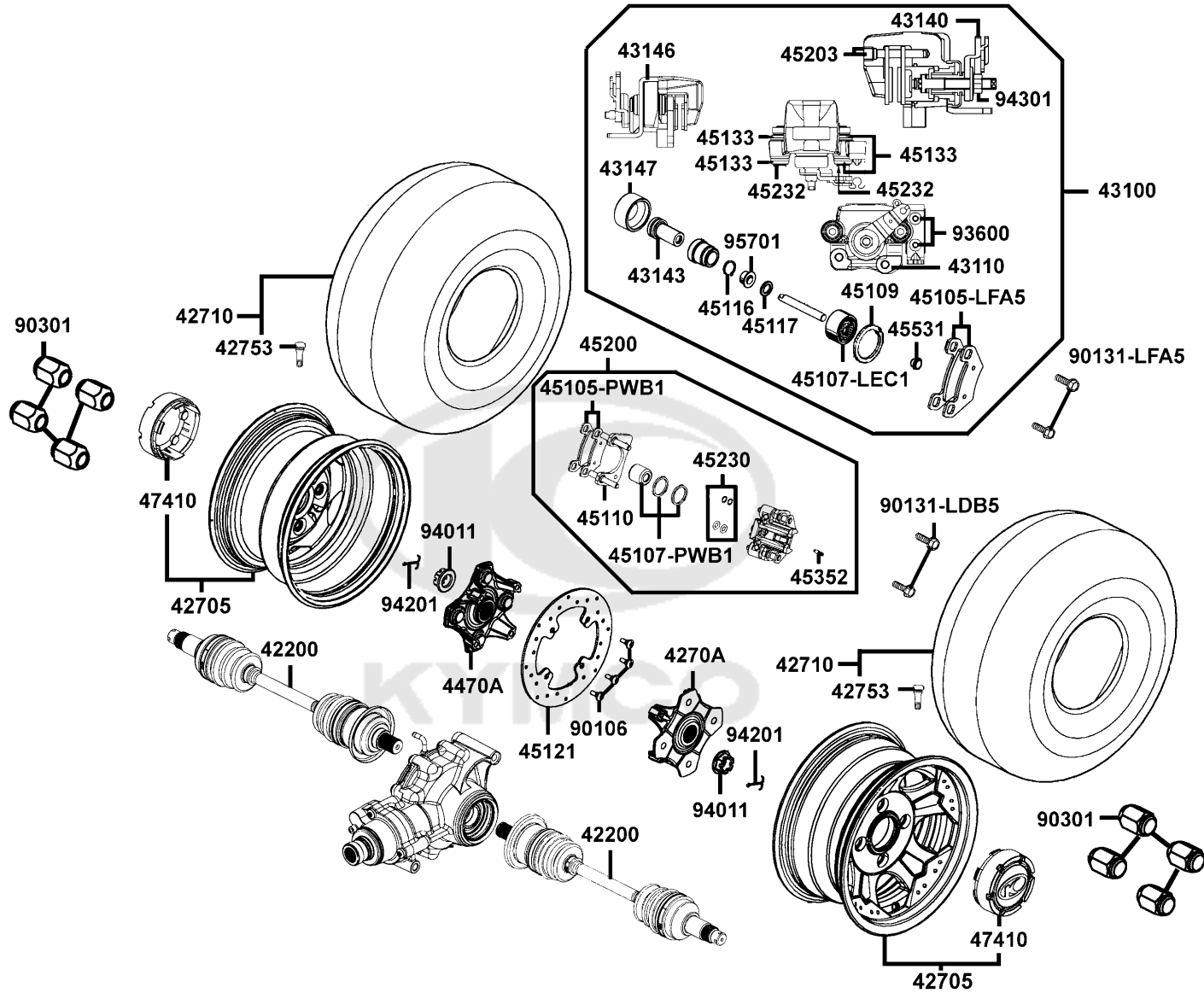
Sales mark	Ref no	Part no	Description	Reg description	Regd no	F06
	53702	53702-PWB1-900	JOINT R BALL	JOINT R BALL	2	
	53703	53703-PWB1-900	JOINT L BALL	JOINT L BALL	2	
	90304-GLW0	90304-GLW0-90A	NUT U FLANGE 10MM	NUT U FLANGE 10MM	10	
#	94001-PWB1-900	94001-PWB1-700	NUT HEX LH 10MM	NUT HEX LH 10MM	2	
	94001-PWB1-800	94001-PWB1-800	NUT HEX 10MM	NUT HEX 10MM	2	
#	90304-PWB1	94011-LKA8-E00	NUT CASTLE 10MM	NUT CASTLE 10MM	4	
	94101	94101-PWB1-900	WASHER FLAT	WASHER FLAT	1	
#	94201	94201-25250	PIN SPLIT 2.5*25	PIN SPLIT 2.5*25	4	
	94510	94510-PWB1-900	CIRCLIP EX 29	CIRCLIP EX 29	4	
	94520	94520-55000	CIR CLIP IN 55	CIR CLIP IN 55	2	
	95701-08020	95701-08020-06	BOLT FLANGE 8*20	BOLT FLANGE 8*20	2	
	95701-10020	95701-10020-06	BOLT FLANGE 10*20	BOLT FLANGE 10*20	1	
	95801-08060	95801-08060-06	BOLT FLANGE 8*60	BOLT FLANGE 8*60	2	
	95801-10030	95801-10030-06	BOLT FLANGE 10*30(G)	BOLT FLANGE 10*30(G)	4	
#	95801-10040	95801-10040-06	BOLT FLANGE 10*40	BOLT FLANGE 10*40	1	
	95801-10085	95801-10085-06	BOLT FLANGE 10*85	BOLT FLANGE 10*85	4	
	95802	95802-PWB1-900	SCREW CAP-HFH M10X1.25X180	SCREW CAP-HFH M10X1.25X180	2	
	96151	96151-PWB1-900	BEARING WHEEL	BEARING WHEEL	2	

F07

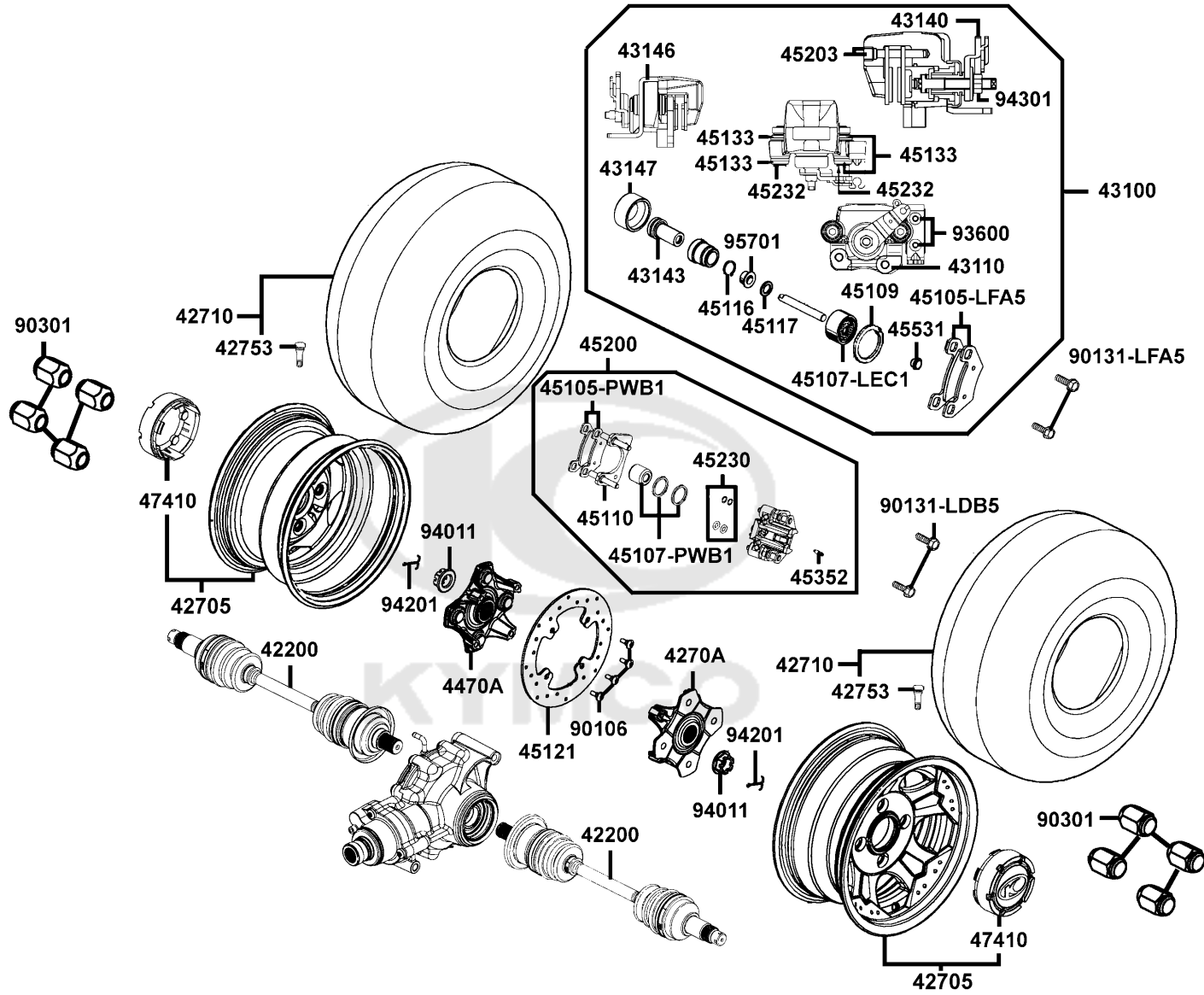
Front Wheel



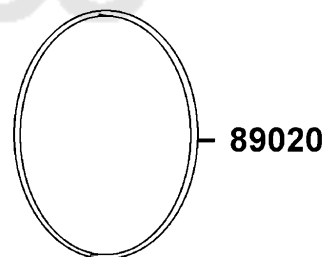
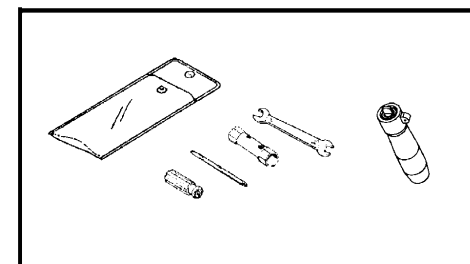
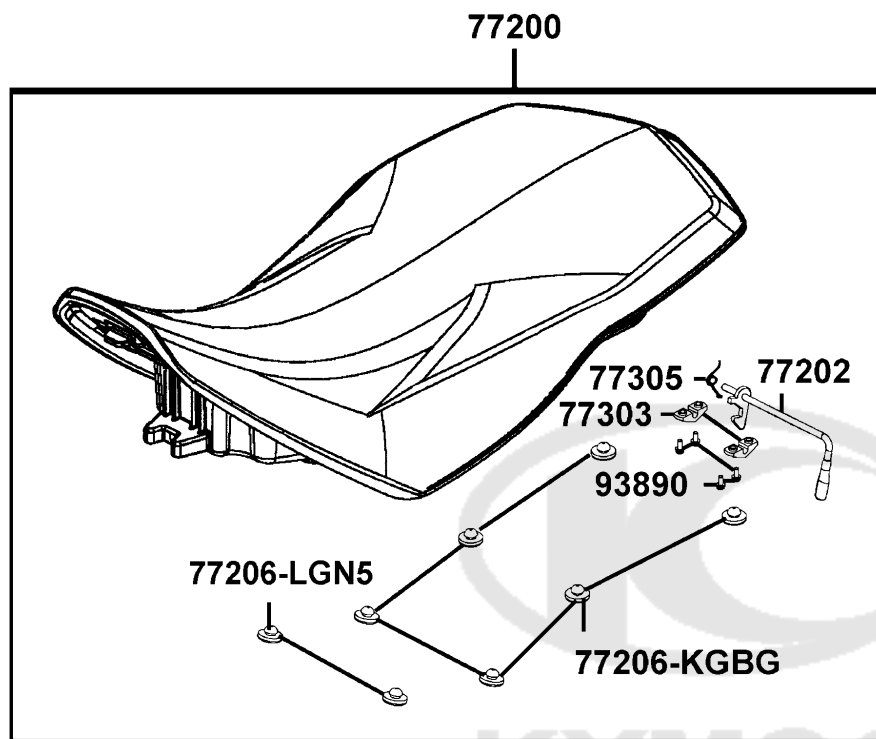
Sales mark	Ref no	Part no	Description	Reg description	Regd no	F07
	42753	42753-KNBN-90B	VALAE RIM (TR412)	VALAE RIM (TR412)	2	
	44200	44200-LGC3-900	HALFSHAFT FRONT	HALFSHAFT FRONT	2	
	44705	44705-LGN5-E00	WHEEL CAST FR	WHEEL CAST FR	2	
	4470A	4470A-LFA5-E00	HUB ASSEMBLY	HUB ASSEMBLY	2	
	44710	44710-LGN5-E0A	TIRE ASSY FR AT23*8-12 6PR/MAXXIS	TIRE ASSY FR AT23*8-12 6PR/MAXXIS	2	
#	45100	45100-PWB1-600	CALIPER BRAKE RH	CALIPER BRAKE RH	1	
#	45105	45105-PWB1-306	BRAKE PADS	BRAKE PADS	2	
	45107	45107-PWB1-305	PISTON AND SEALS	PISTON AND SEALS	2	
	45110	45110-PWB1-305	MOUNT BRACKET ASSEMBLS	MOUNT BRACKET ASSEMBLS	2	
	45121	45121-PWB1-900	DISK BRAKE	DISK BRAKE	2	
#	45200	45200-PWB1-600	CALIPER BRAKE LH	CALIPER BRAKE LH	2	
	45230	45230-PWB1-305	GUIDE O RINGS	GUIDE O RINGS	2	
	45352	45352-PWB1-305	BLEEDER	BLEEDER	2	
	47410	47410-LGN5-E00	CAP WHEEL CENTER	CAP WHEEL CENTER	2	
	90106	90106-PWB1-900	BOLT SHOULDER	BOLT SHOULDER	8	
	90131	90131-LDB5-E00	BOLT FLANGE 8*20	BOLT FLANGE 8*20	4	
	90301	90301-LGN5-E00	NUT WHEEL	NUT WHEEL	8	
	94011	94011-PWB1-900	NUT CASTLE FLANGE M22x1.5	NUT CASTLE FLANGE M22x1.5	2	
	94201	94201-30400	PIN SPLIT 3*40	PIN SPLIT 3*40	2	



Sales mark	Ref no	Part no	Description	Reg description	Regd no	F08
	42200	42200-LGC3-900	HALFSHAFT. REAR	HALFSHAFT. REAR	2	
	42705	42705-LGN5-E00	WHEEL CAST RR	WHEEL CAST RR	2	
	4270A	4270A-LFA5-E00	HUB ASSEMBLY	HUB ASSEMBLY	1	
	42710	42710-LGN5-E0A	TIRE ASSY RR AT23*10-12 6PR /MAXXIS	TIRE ASSY RR AT23*10-12 6PR /MAXXIS	2	
	42753	42753-KNBN-90B	VALAE RIM (TR412)	VALAE RIM (TR412)	2	
**	43100	43100-LFA5-E00	CALIPER ASSY REAR	CALIPER ASSY REAR	1	
	43110	43110-LFA5-E00	BRACKET CAILPER	BRACKET CAILPER	1	
	43140	43140-LEC1-E00	ARM BRAKE	ARM BRAKE	1	
	43143	43143-LEC1-E00	BOLT DRIVE	BOLT DRIVE	1	
	43146	43146-LEC1-E00	BRACKET CABLE	BRACKET CABLE	1	
	43147	43147-LEC1-E00	CAP	CAP	1	
	4470A	4470A-LFA5-E00	HUB ASSEMBLY	HUB ASSEMBLY	1	
	45105-LFA5	45105-LFA5-305	PAD ASSY	PAD ASSY	1	
#	45105-PWB1	45105-PWB1-306	BRAKE PADS	BRAKE PADS	2	
	45107-LEC1	45107-LEC1-E00	PISTON	PISTON	1	
	45107-PWB1	45107-PWB1-305	PISTON AND SEALS	PISTON AND SEALS	2	
	45109	45109-LEC1-E00	SEAL DUST	SEAL DUST	1	
	45110	45110-PWB1-305	MOUNT BRACKET ASSEMBLS	MOUNT BRACKET ASSEMBLS	1	
	45116	45116-LEC1-E00	CLIP	CLIP	1	
	45117	45117-LEC1-E00	WASHER	WASHER	1	



Sales mark	Ref no	Part no	Description	Reg description	Regd no	F08
	45121	45121-PWB1-900	DISK BRAKE	DISK BRAKE	1	
	45133	45133-LEC1-E00	BOOT	BOOT	4	
#	45200	45200-PWB1-600	CALIPER BRAKE LH	CALIPER BRAKE LH	2	
	45203	45203-LEC1-E00	PIN HANGER	PIN HANGER	2	
	45230	45230-PWB1-305	GUIDE O RINGS	GUIDE O RINGS	1	
	45232	45232-LEC1-E00	PIN BOLT	PIN BOLT	2	
	45352	45352-PWB1-305	BLEEDER	BLEEDER	1	
	45531	45531-LEC1-E00	PLUG	PLUG	1	
	47410	47410-LGN5-E00	CAP WHEEL CENTER	CAP WHEEL CENTER	2	
	90106	90106-PWB1-900	BOLT SHOULDER	BOLT SHOULDER	4	
	90131-LDB5	90131-LDB5-E00	BOLT FLANGE 8*20	BOLT FLANGE 8*20	2	
	90131-LFA5	90131-LFA5-E00	BOLT FLANGE 8X22	BOLT FLANGE 8X22	2	
	90301	90301-LGN5-E00	NUT WHEEL	NUT WHEEL	8	
	93600	93600-LEC1-E00	SCREW FLAT 6MM	SCREW FLAT 6MM	2	
	94011	94011-PWB1-900	NUT CASTLE FLANGE M22x1.5	NUT CASTLE FLANGE M22x1.5	2	
	94201	94201-30400	PIN SPLIT 3*40	PIN SPLIT 3*40	2	
	94301	94301-08060	NUT HEC 8MM	NUT HEC 8MM	1	
	95701	95701-LEC1-E00	BOLT ADJUST	BOLT ADJUST	1	

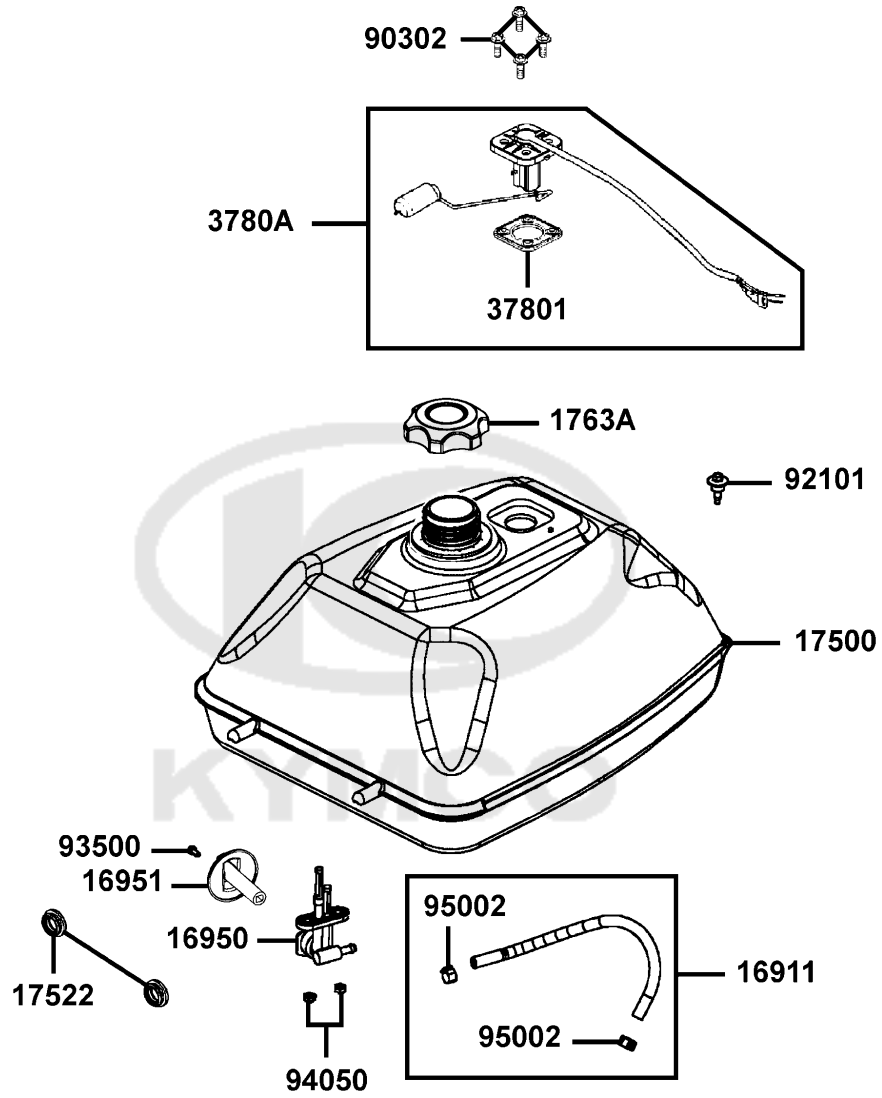


Sales mark	Ref no	Part no	Description	Reg description	Regd no	F09
**	77200	77200-LGN5-E00	SEAT ASSY	SEAT ASSY	1	
	77202	77202-LGN5-E00	LATCH COMP SEAT	LATCH COMP SEAT	1	
	77206-KGBG	77206-KGBG-900	RUBBER SEAT CUSHION	RUBBER SEAT CUSHION	6	
	77206-LGN5	77206-LGN5-E00	BUMPER SEAT	BUMPER SEAT	2	
	77303	77303-KFA6-900	HOLDER HOOK BAR	HOLDER HOOK BAR	2	
	77305	77305-KFA6-900	SPRING HOOK BAR	SPRING HOOK BAR	1	
	89010	89010-LGN5-E00	TOOL SET	TOOL SET	1	
	89020	89020-KKC4-900	BAND TOOL SET	BAND TOOL SET	1	
	93890	93890-LDB5-E00	BOLT M4	BOLT M4	4	

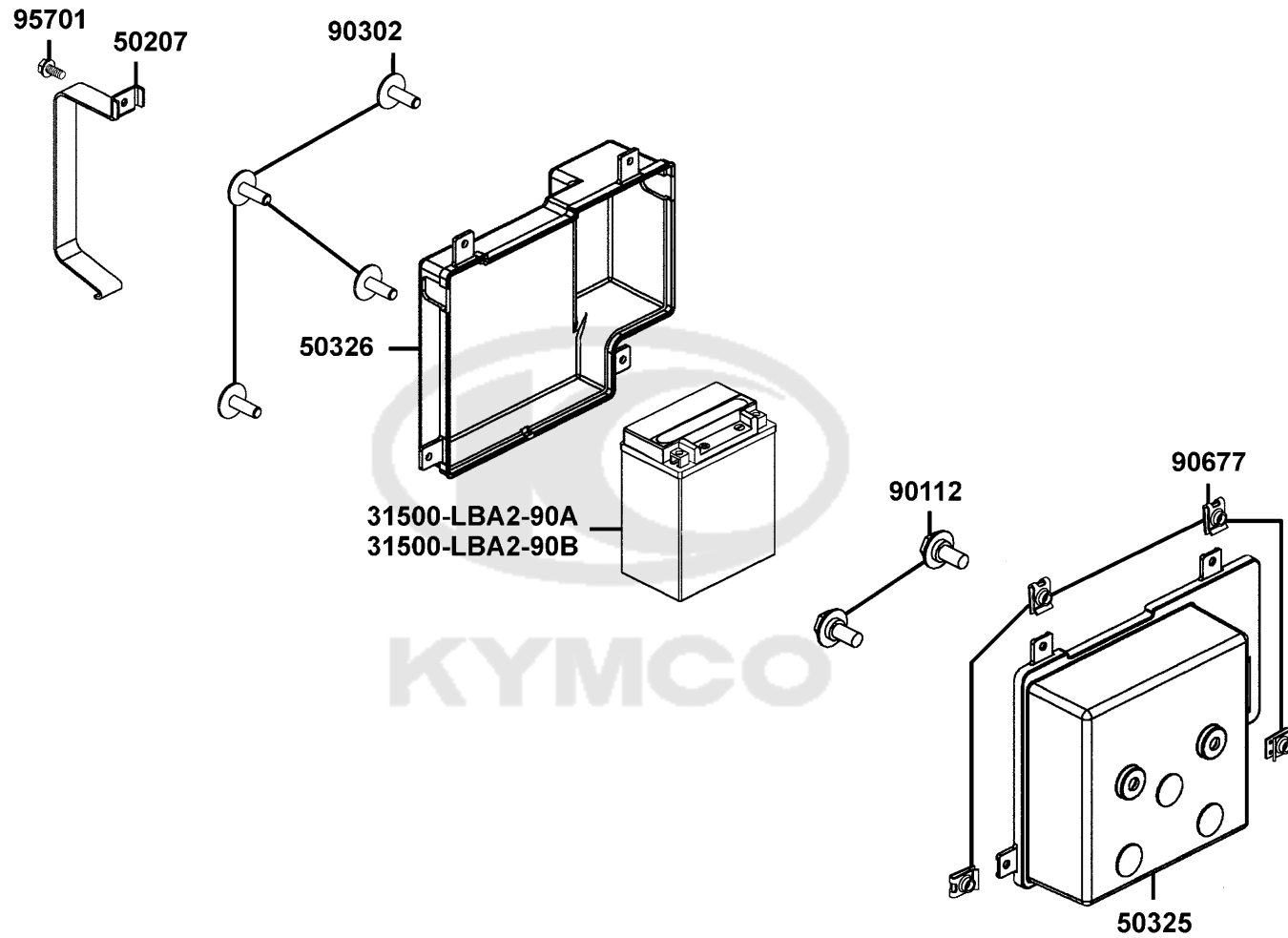


F10

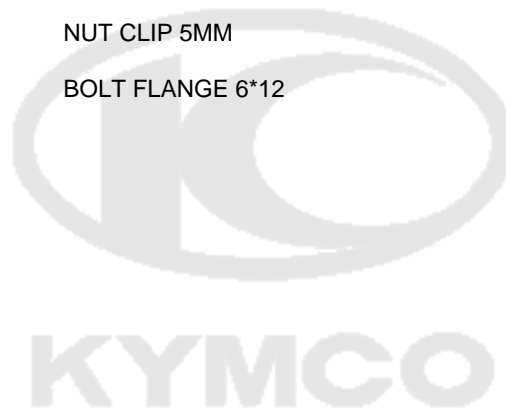
Fuel Tank



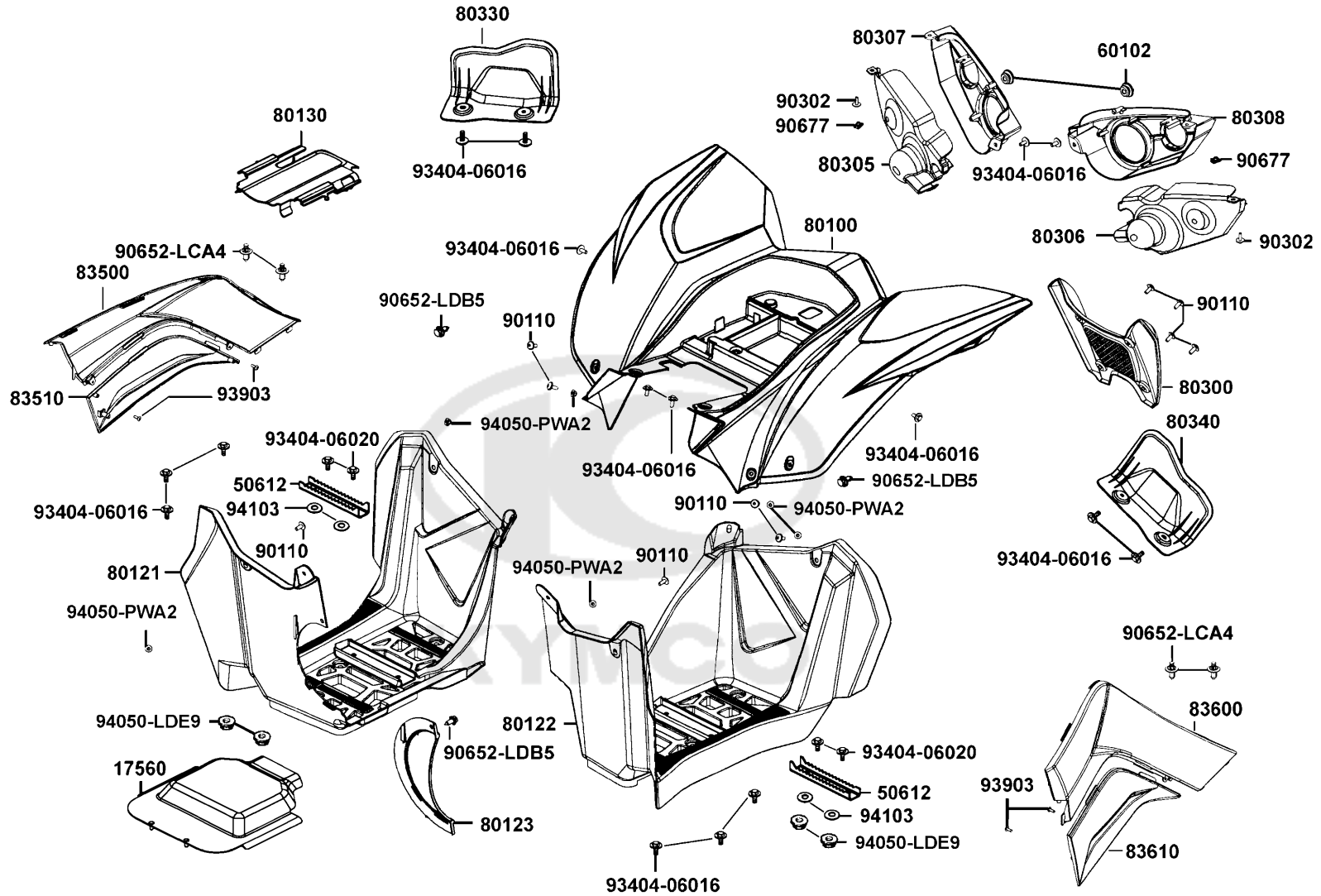
Sales mark	Ref no	Part no	Description	Reg description	Regd no	F10
	16911	16911-LFA5-E00	TUBE ASSY FUEL	TUBE ASSY FUEL	1	
#	16950	16950-PWB1-910	VALVE FUEL	VALVE FUEL	1	
	16951	16951-LGN5-E00	Knob.Fuel Tank	Knob.Fuel Tank	1	
	17500	17500-LGN5-E00	TANK COMP.. FUEL	TANK COMP.. FUEL	1	
	17522	17522-PWB1-900	GROMMET FUEL TANK	GROMMET FUEL TANK	2	
	1763A	1763A-LFA5-E00	CAP ASSY FUEL TANK	CAP ASSY FUEL TANK	1	
	37801	37801-LAB4-910	PACKING BASE	PACKING BASE	1	
	3780A	3780A-LGN5-E00	FUEL UNIT ASS'Y	FUEL UNIT ASS'Y	1	
	90302	90302-GBR2-001	BOLT WASH 5*16	BOLT WASH 5*16	4	
	92101	92101-PWB1-900	SCREW FUEL TANK	SCREW FUEL TANK	1	
#	93500	93500-04010-06	SCREW PAN 4*10	SCREW PAN 4*10	1	
	94050	94050-PWA2-900	NUT LOCK	NUT LOCK	2	
	95002	95002-40950-08	CLAMP D9.5 TUBE	CLAMP D9.5 TUBE	2	



Sales mark	Ref no	Part no	Description	Reg description	Regd no	F11
	31500-LBA2-90A	31500-LBA2-90A	BATTERY YTX14-BS	BATTERY YTX14-BS	1	
	31500-LBA2-90B	31500-LBA2-90B	BATTERY GTX14-BS	BATTERY GTX14-BS	1	
	50207	50207-LGN5-E00	STAY. BATTERY	STAY. BATTERY	1	
**	50325	50325-LGN5-E00	CASE BATTERY	CASE BATTERY	1	
**	50326	50326-LGN5-E00	COVER BATTERY	COVER BATTERY	1	
	90112	90112-KNBN-901	BOLT FLANGE 6MM	BOLT FLANGE 6MM	2	
	90302	90302-PWA1-900	BOLT-WASH 5*16	BOLT-WASH 5*16	4	
	90677	90677-GAR1-004	NUT CLIP 5MM	NUT CLIP 5MM	4	
	95701	95701-06012-06	BOLT FLANGE 6*12	BOLT FLANGE 6*12	1	

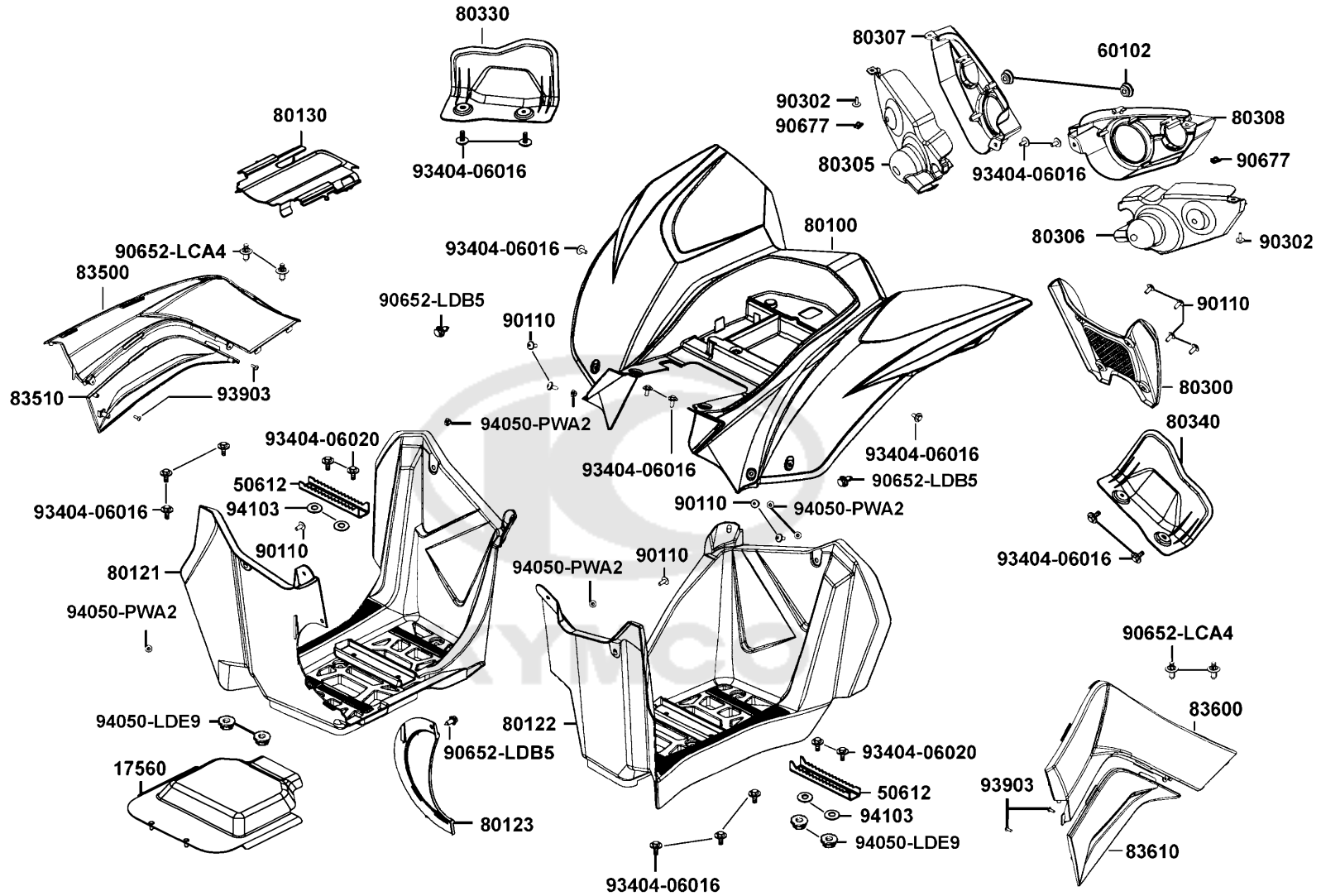


Fender Rear Mudguard Floor

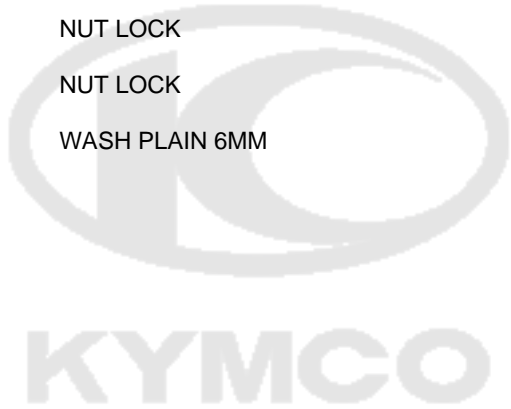


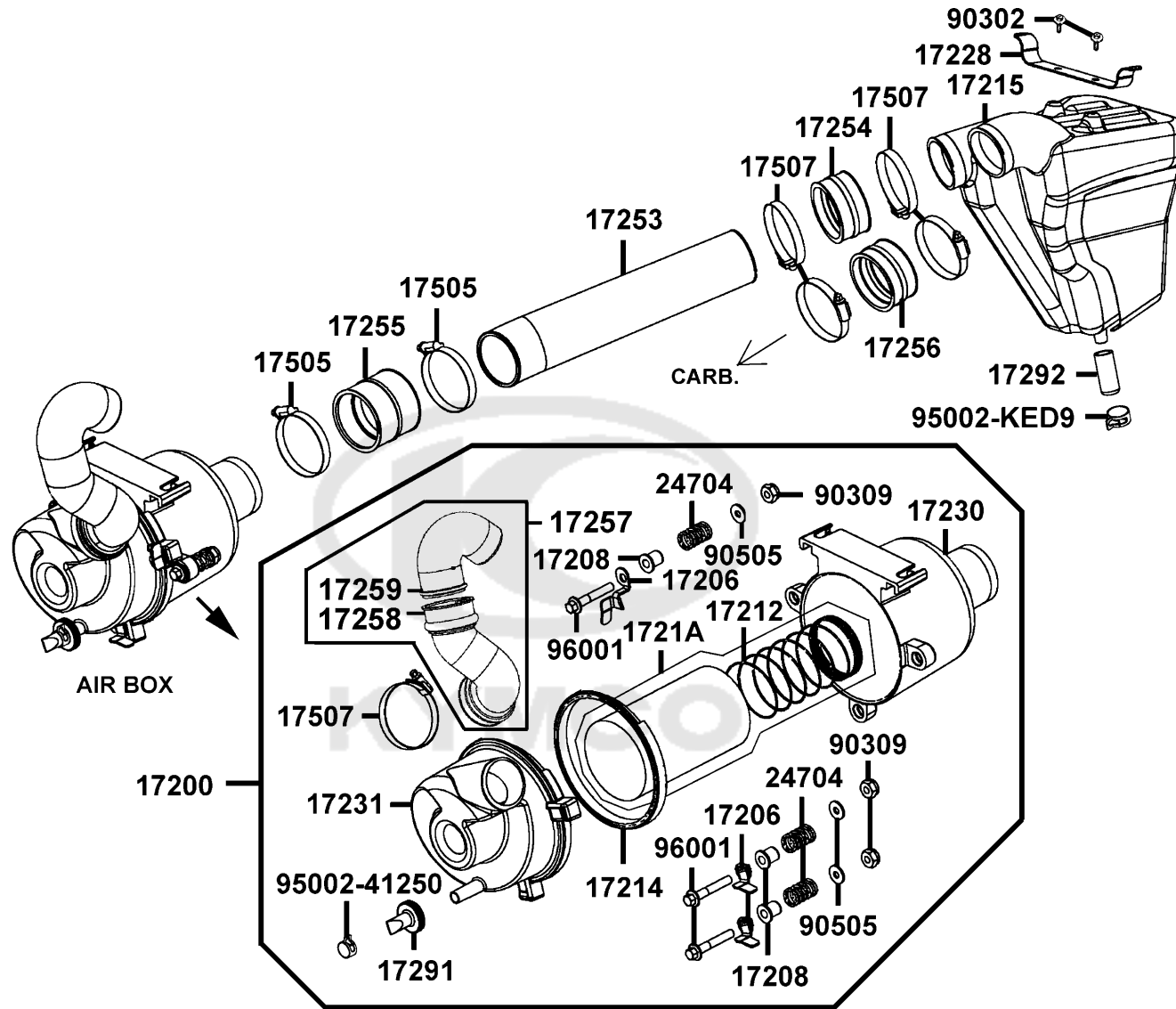
Sales mark	Ref no	Part no	Description	Reg description	Regd no	F12
**	17560	17560-LGC7-E00	SHIELD HEAT	SHIELD HEAT	1	
	50612	50612-PWB1-900	FOOTPEG	FOOTPEG	2	
	60102	60102-PWB1-900	GROMMET PANEL-SIDE	GROMMET PANEL-SIDE	2	
**	80100	80100-LGN5-E00	FENDER REAR	FENDER REAR	1	
**	80121	80121-LGN5-E01	MUDGUARD R FLOOR	MUDGUARD R FLOOR	1	
**	80122	80122-LGN5-E01	MUDGUARD L FLOOR	MUDGUARD L FLOOR	1	
**	80123	80123-LGN5-E01	MUDGUARD FR R FLOOR	MUDGUARD FR R FLOOR	1	
**	80130	80130-PWB1-E00	SHIELD REAR GEARCASE	SHIELD REAR GEARCASE	1	
**	80300	80300-LGN5-E01	COVER GEARBOX	COVER GEARBOX	1	
**	80305	80305-LGN5-900	GUARD COVER R TAIL LIGHT	GUARD COVER R TAIL LIGHT	1	
**	80306	80306-LGN5-900	GUARD COVER L TAIL LIGHT	GUARD COVER L TAIL LIGHT	1	
**	80307	80307-LGN5-E01	COVER.R TAIL LIGHT	COVER.R TAIL LIGHT	1	
**	80308	80308-LGN5-E01	COVER.L TAIL LIGHT	COVER.L TAIL LIGHT	1	
**	80330	80330-LGN5-E01	GUARD R RR BOOT	GUARD R RR BOOT	1	
**	80340	80340-LGN5-E01	GUARD L RR BOOT	GUARD L RR BOOT	1	
**	83500	83500-LGN5-E00	COVER A R SIDE	COVER A R SIDE	1	
**	83510	83510-LGN5-Y00	COVER B R SIDE	COVER B R SIDE	1	
**	83600	83600-LGN5-E00	COVER A L SIDE	COVER A L SIDE	1	
**	83610	83610-LGN5-Y00	COVER B L SIDE	COVER B L SIDE	1	
	90110	90110-PWA2-900	BOLT SPECIAL 6*16	BOLT SPECIAL 6*16	10	

Fender Rear Mudguard Floor

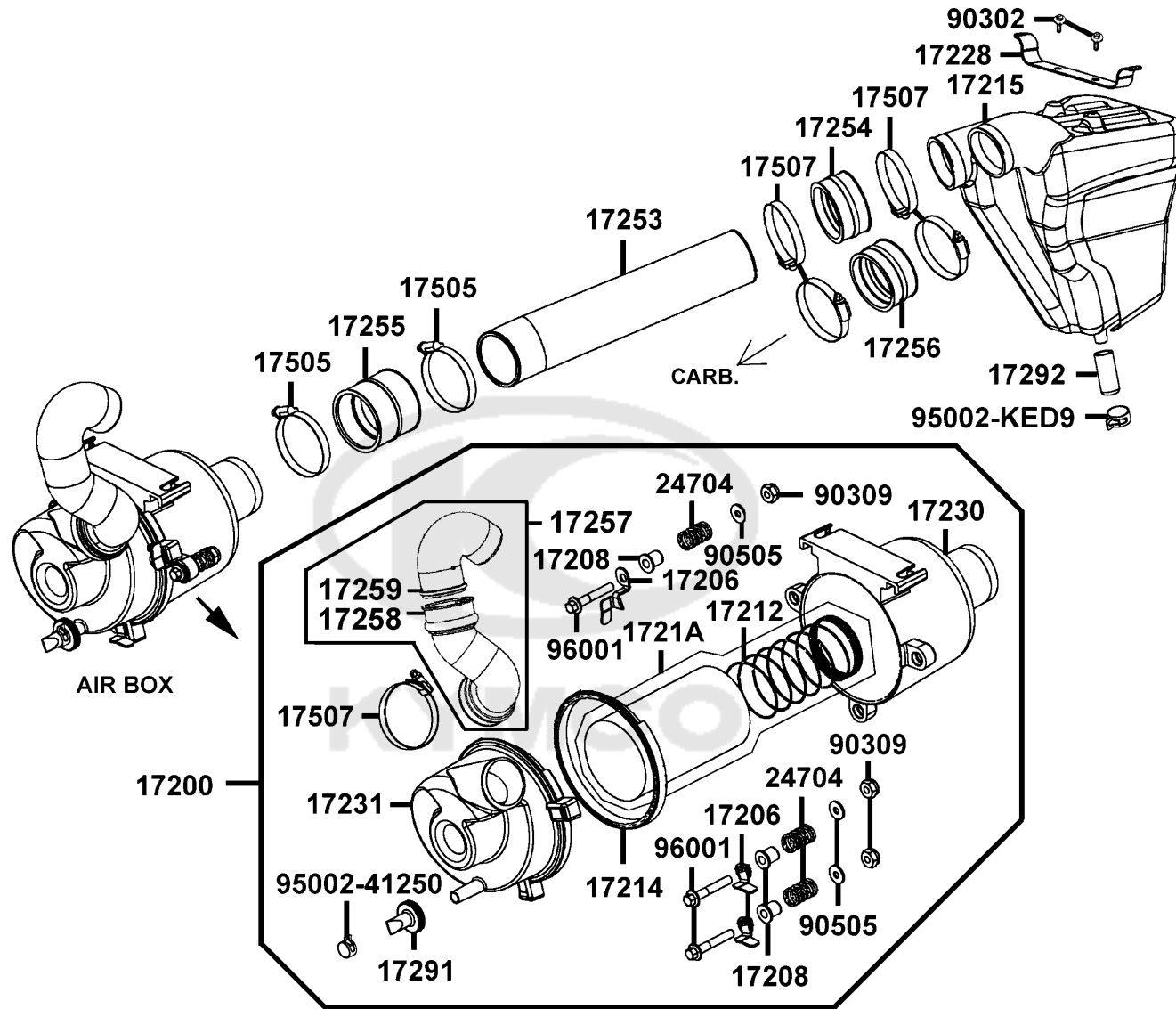


Sales mark	Ref no	Part no	Description	Reg description	Regd no	F12
	90302	90302-PWA1-900	BOLT-WASH 5*16	BOLT-WASH 5*16	2	
	90652-LCA4	90652-LCA4-E00	CLIP MUDGUARD	CLIP MUDGUARD	4	
	90652-LDB5	90652-LDB5-900	CLIP MUDGUARD	CLIP MUDGUARD	3	
	90677	90677-GAR1-004	NUT CLIP 5MM	NUT CLIP 5MM	2	
	93404-06016	93404-06016-06	BOLT WASHER 6*16	BOLT WASHER 6*16	16	
	93404-06020	93404-06020-06	BOLT WASHER 6*20 (G)	BOLT WASHER 6*20 (G)	4	
#	93903	93903-34360	SCREW TAPPING 4*12 (G)	SCREW TAPPING 4*12 (G)	4	
	94050-LDE9	94050-LDE9-E00	NUT LOCK	NUT LOCK	4	
	94050-PWA2	94050-PWA2-900	NUT LOCK	NUT LOCK	6	
	94103	94103-06800	WASH PLAIN 6MM	WASH PLAIN 6MM	4	

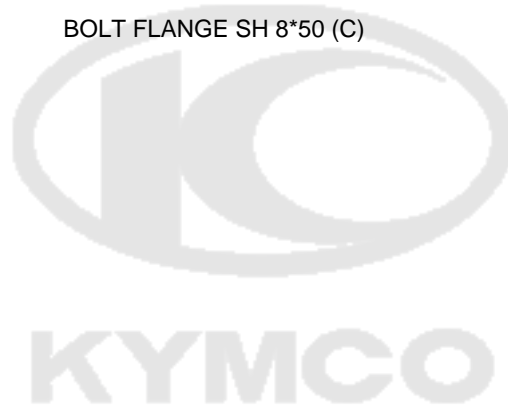


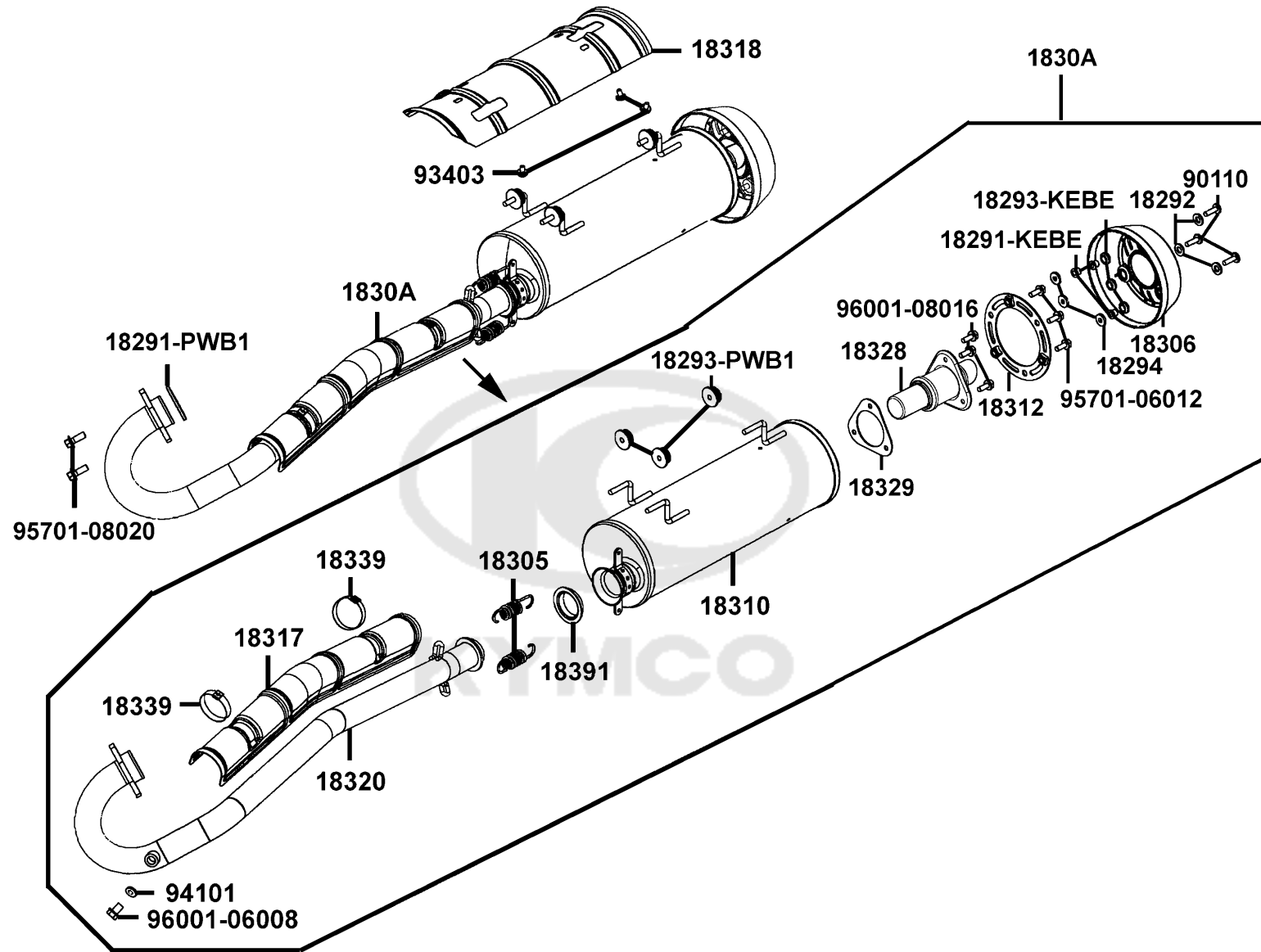


Sales mark	Ref no	Part no	Description	Reg description	Regd no	F13
	17200	17200-LFA5-E00	AIR BOX ASSEMBLY	AIR BOX ASSEMBLY	1	
	17206	17206-PWB1-900	CATCH AIR BOX	CATCH AIR BOX	3	
	17208	17208-PWB1-900	SPACER STEEL	SPACER STEEL	3	
	17212	17212-PWB1-900	FILTER SPRING	FILTER SPRING	1	
	17214	17214-PWB1-900	GASKET AIR BOX	GASKET AIR BOX	1	
	17215	17215-PWB1-900	CHAMBER AIR INTAKE	CHAMBER AIR INTAKE	1	
	1721A	1721A-PWB1-900	FILTER AIR-UNI	FILTER AIR-UNI	1	
	17228	17228-PWB1-900	BRACKET MOUNT-AIR CHAMBER	BRACKET MOUNT-AIR CHAMBER	1	
	17230	17230-PWB1-900	BODY AIR BOX-CYCLONIC	BODY AIR BOX-CYCLONIC	1	
	17231	17231-PWB1-900	COVER AIR BOX-CYCLONIC	COVER AIR BOX-CYCLONIC	1	
	17253	17253-PWB1-900	BOOT INTAKE-CARB	BOOT INTAKE-CARB	1	
	17254	17254-PWB1-900	BOOT AIR IN-CARB-LRG	BOOT AIR IN-CARB-LRG	1	
	17255	17255-PWB1-900	BOOT AIR IN CARB SML	BOOT AIR IN CARB SML	1	
	17256	17256-PWB1-900	BOOT CARB-CHAMBER	BOOT CARB-CHAMBER	1	
	17257	17257-PWB1-900	BOOT INTAKE AIR BOX	BOOT INTAKE AIR BOX	1	
#	17258	17258-PWB1-900	BOOT INTAKE TOP AIR BOX	BOOT INTAKE TOP AIR BOX	1	
#	17259	17259-PWB1-900	BOOT INTAKE BOTTOM AIR BOX	BOOT INTAKE BOTTOM AIR BOX	1	
	17291	17291-PWB1-900	VALVE AIR CLEANER	VALVE AIR CLEANER	1	
	17292	17292-PWB1-900	PIPE DRAIN	PIPE DRAIN	1	
	17505	17505-PWB1-900	CLAMP D70	CLAMP D70	2	



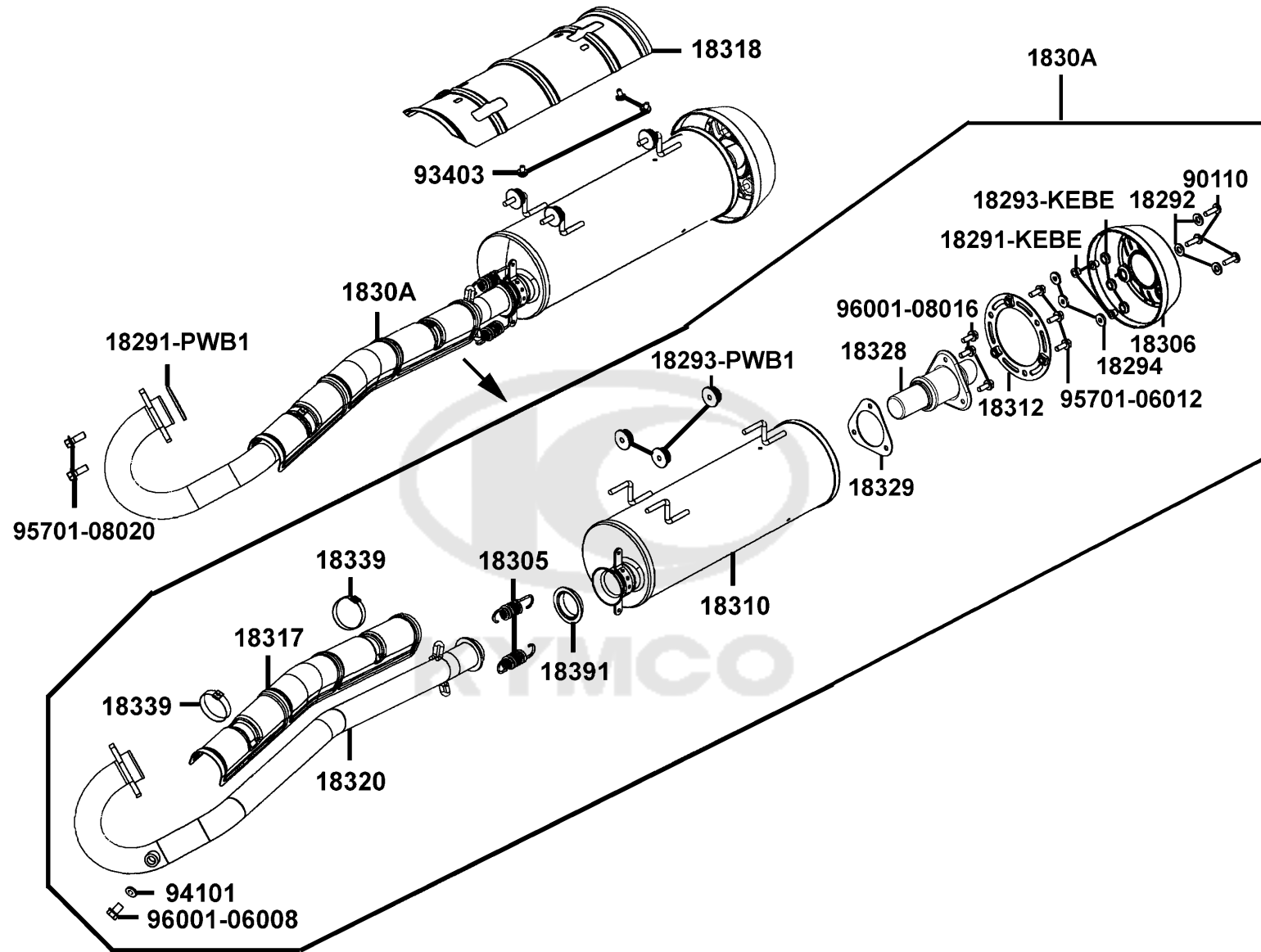
Sales mark	Ref no	Part no	Description	Reg description	Regd no	F13
17507		17507-PWB1-900	CLAMP D66	CLAMP D66	5	
24704		24704-PWB1-900	SPRING SHIFT	SPRING SHIFT	3	
90302		90302-LLB1-E00	BOLT-WASHER 5*12	BOLT-WASHER 5*12	2	
90309		90309-GLW0-90A	NUT U FLANGE 8MM	NUT U FLANGE 8MM	3	
90505		90505-4E25-001	WASHER 8MM	WASHER 8MM	3	
95002-41250		95002-41250-00	CLIP D12.5 TUBE	CLIP D12.5 TUBE	1	
95002-KED9		95002-KED9-M30	CLAMP D14.8 TUBE	CLAMP D14.8 TUBE	1	
96001		96001-08050-08	BOLT FLANGE SH 8*50 (C)	BOLT FLANGE SH 8*50 (C)	3	




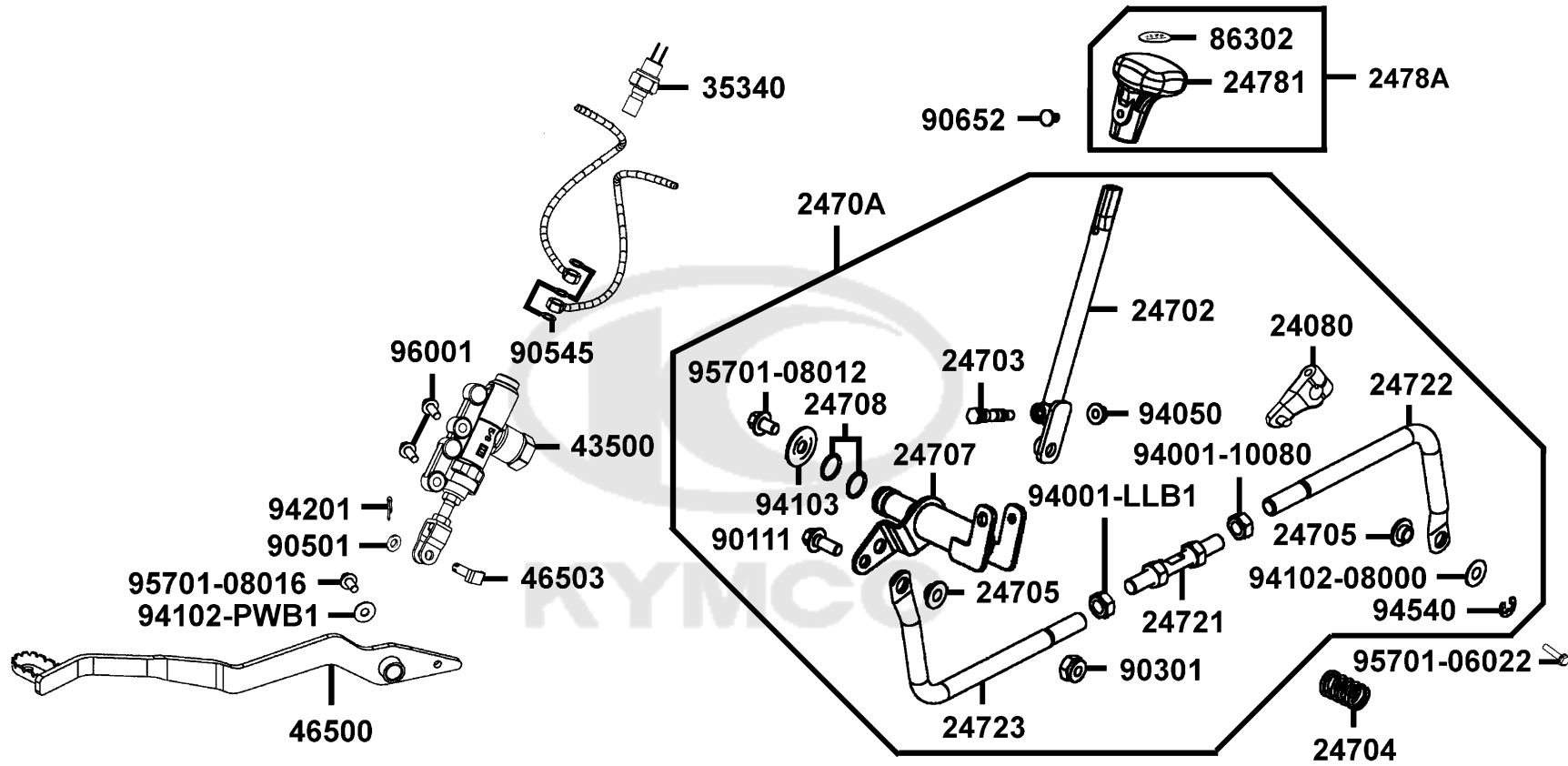


Sales mark	Ref no	Part no	Description	Reg description	Regd no	F14
	18291-KEBE	18291-KEBE-900	COLLAR	COLLAR	3	
	18291-PWB1	18291-PWB1-900	SEAL EXHAUST PIPE	SEAL EXHAUST PIPE	1	
	18292	18292-KEBE-900	PACKING PROTECTOR	PACKING PROTECTOR	3	
	18293-KEBE	18293-KEBE-900	RUBBER PKG PROTR	RUBBER PKG PROTR	3	
	18293-PWB1	18293-PWB1-900	GROMMENT MUFFLER	GROMMENT MUFFLER	3	
	18294	18294-KEBE-900	PACKING PROTECTOR	PACKING PROTECTOR	3	
	18305	18305-PWB1-900	SPRING EXTENSION	SPRING EXTENSION	2	
**	18306	18306-LGN5-E00	TAIL CAP MUFFLER	TAIL CAP MUFFLER	1	
**	1830A	1830A-LGN5-E00	EXHAUST.ASSY.	EXHAUST.ASSY.	1	
	18310	18310-LGN5-E00	MUFFLER.BODY-WELDMENT	MUFFLER.BODY-WELDMENT	1	
	18312	18312-LGN5-E00	TAIL PROTECTOR..STAY	TAIL PROTECTOR..STAY	1	
	18317	18317-PWB1-900	SHIELD EXHAUST PIPE	SHIELD EXHAUST PIPE	1	
	18318	18318-PWB1-900	COVER MUFFLER	COVER MUFFLER	1	
	18320	18320-PWB1-E00	PIPE EXHAUST -BLACK	PIPE EXHAUST -BLACK	1	
	18328	18328-LFA5-910	SPARK ARRESTER WELDMENT	SPARK ARRESTER WELDMENT	1	
	18329	18329-PWB1-700	GASKET.SPARK ARRESTER	GASKET.SPARK ARRESTER	1	
	18339	18339-PWB1-900	BAND EXHAUST PIPE SHIELD	BAND EXHAUST PIPE SHIELD	2	
	18391	18391-PWB1-900	GASKET EXH-TAILPIPE	GASKET EXH-TAILPIPE	1	
	90110	90110-KEBE-900	SCREW SPECIAL 6*22	SCREW SPECIAL 6*22	3	
	93403	93403-PWB1-900	BOLT-WASHER 6X12	BOLT-WASHER 6X12	3	

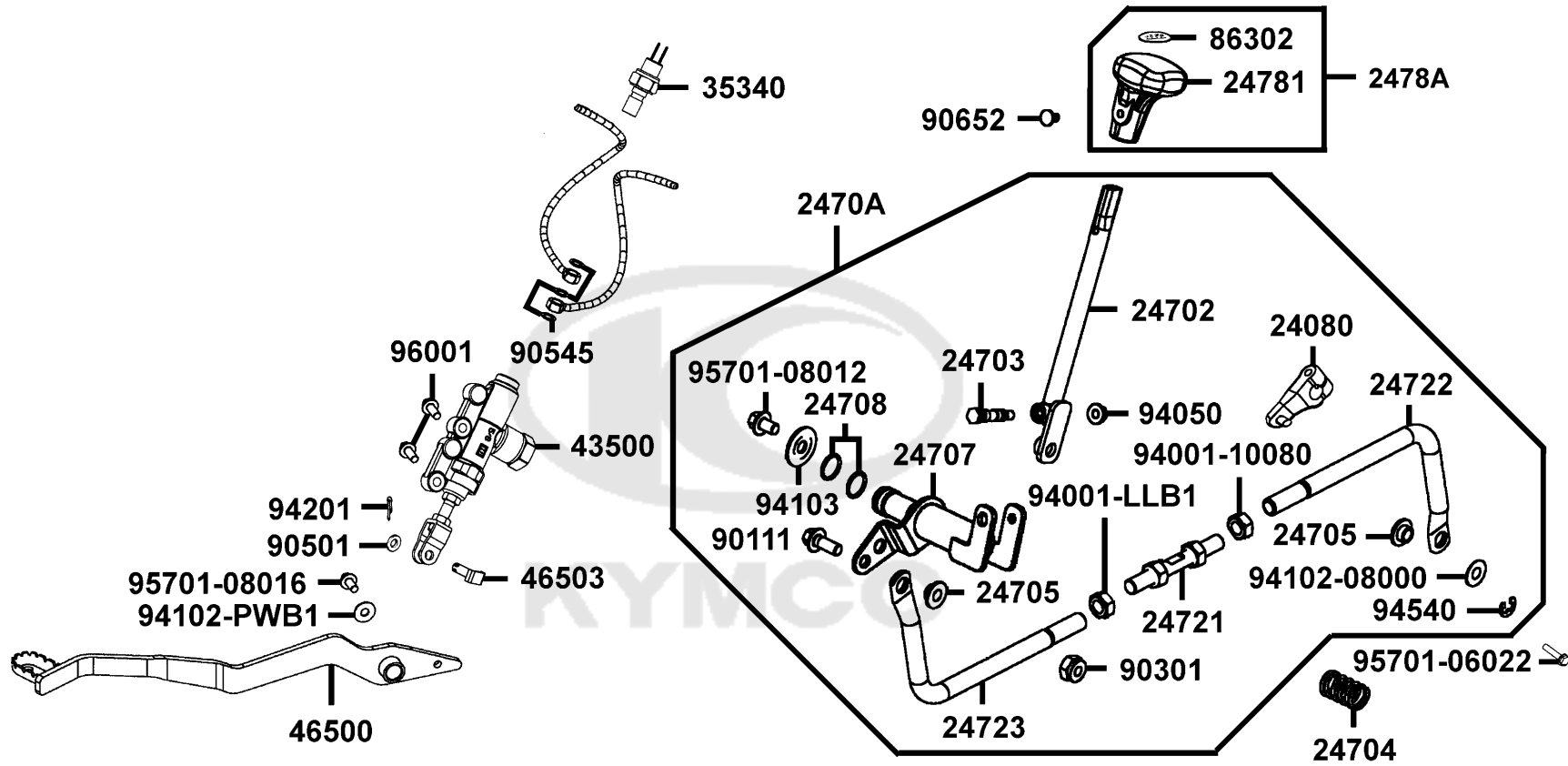
Exhaust Muffler



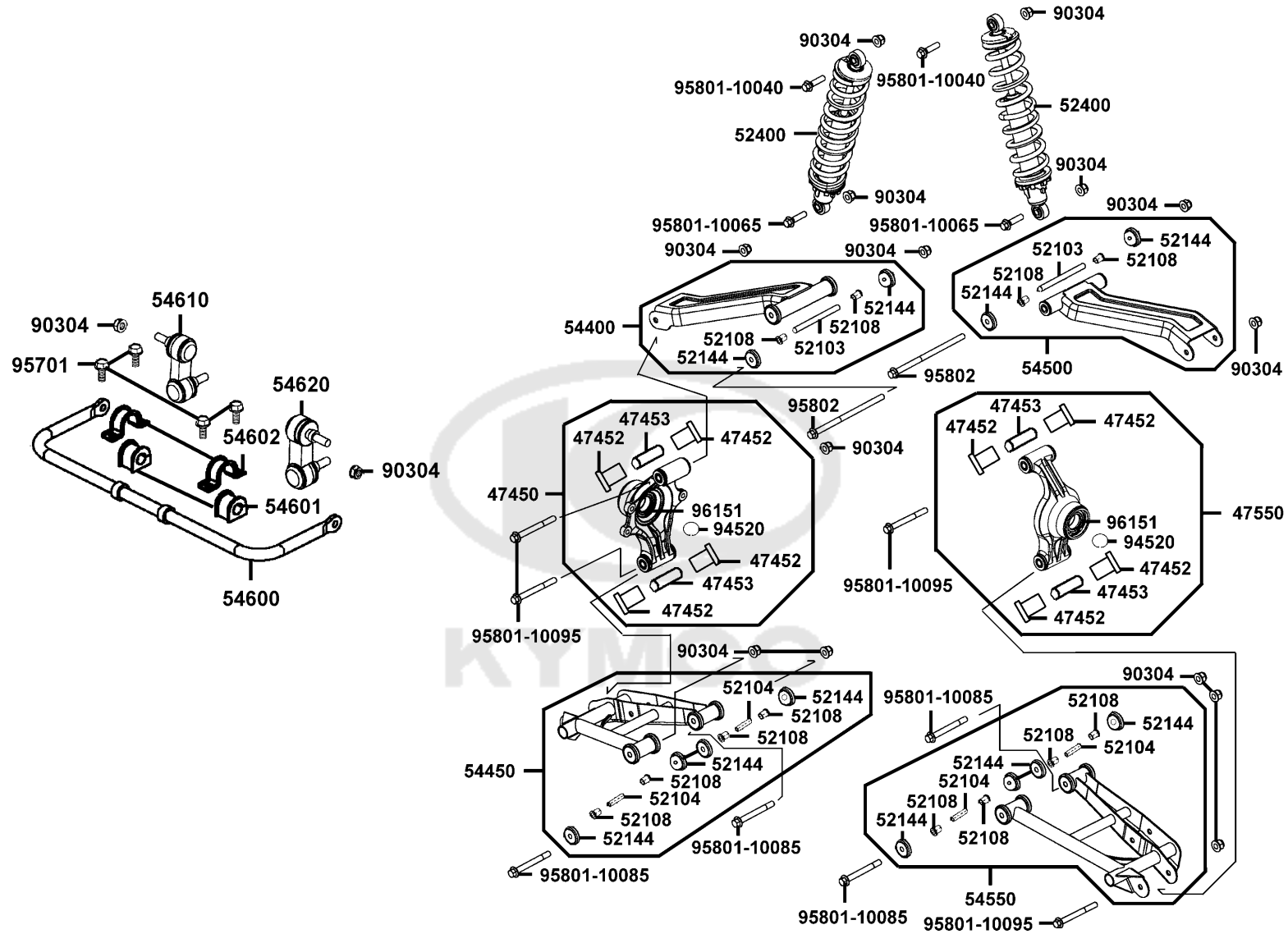
Sales mark	Ref no	Part no	Description	Reg description	Regd no	F14
	94101	94101-06700	WASHER PLAIN 6MM	WASHER PLAIN 6MM	1	
	95701-06012	95701-06012-06	BOLT FLANGE 6*12	BOLT FLANGE 6*12	3	
	95701-08020	95701-08020-06	BOLT FLANGE 8*20	BOLT FLANGE 8*20	2	
	96001-06008	96001-06008-07	BOLT FLANGE SH 6*8	BOLT FLANGE SH 6*8	1	
	96001-08016	96001-08016-08	BOLT FLANGE SH 8*16	BOLT FLANGE SH 8*16	3	
						



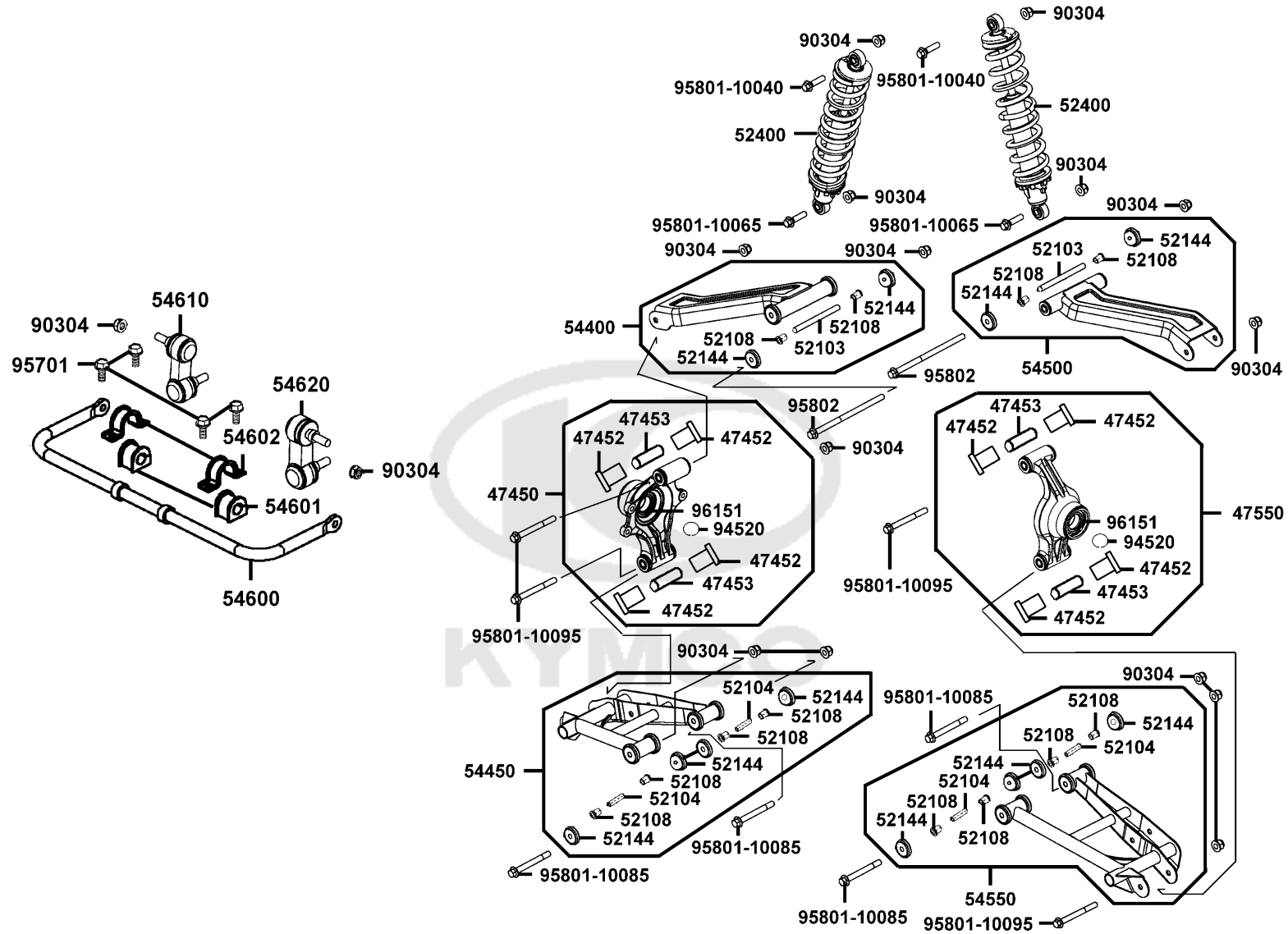
Sales mark	Ref no	Part no	Description	Reg description	Regd no	F15
	24080	24080-PWB1-900	ARM GEAR SELECT ASSY	ARM GEAR SELECT ASSY	1	
	24702	24702-LGN5-E00	LEVER SHIFT-WELDMENT	LEVER SHIFT-WELDMENT	1	
	24703	24703-PWB1-900	AXLE PIVOT	AXLE PIVOT	1	
	24704	24704-PWB1-900	SPRING SHIFT	SPRING SHIFT	1	
	24705	24705-PWB1-900	BUSHING SHIFT	BUSHING SHIFT	2	
	24707	24707-PWB1-900	AXLE WELDMENT	AXLE WELDMENT	1	
	24708	24708-PWB1-900	O RING 016	O RING 016	2	
	2470A	2470A-LGN5-E00	FWD / REV SHIFT ASSY	FWD / REV SHIFT ASSY	1	
	24721	24721-PWB1-900	ADJUSTER SHIFT LINKAGE	ADJUSTER SHIFT LINKAGE	1	
	24722	24722-PWB1-900	ROD SHIFTER ADJUSTABLE RH	ROD SHIFTER ADJUSTABLE RH	1	
	24723	24723-PWB1-900	ROD SHIFTER ADJUSTABLE LH	ROD SHIFTER ADJUSTABLE LH	1	
	24781	24781-LFA5-E00	KNOB SHIFTER	KNOB SHIFTER	1	
	2478A	2478A-LFA5-E00	SHIFTER KNOB ASSY	SHIFTER KNOB ASSY	1	
	35340	35340-PWB1-E00	SWITCH BRAKE PRESSURE DOUBLE	SWITCH BRAKE PRESSURE DOUBLE BANJO	1	
#	43500	43500-LHM2-E00	M/C ASSY FOOT	M/C ASSY FOOT	1	
**	46500	46500-LGN5-E00	LEVER COMP BRAKE	LEVER COMP BRAKE	1	
	46503	46503-LFA5-E00	PIN CLEVIS	PIN CLEVIS	1	
**	86302	86302-LFA5-E00	EMB GEAR REVERAL CHANGE	EMB GEAR REVERAL CHANGE	1	
	90111	90111-PWB1-900	BOLT FLANGE 6MM	BOLT FLANGE 6MM	1	
	90301	90301-6D34-671	NUT FLANGE 6MM	NUT FLANGE 6MM	1	



Sales mark	Ref no	Part no	Description	Reg description	Regd no	F15
	90501	90501-3L10-001	WASHER 7*12	WASHER 7*12	1	
	90545	90545-3L00-001	WASHER OIL BOLT	WASHER OIL BOLT	3	
	90652	90652-PWB1-900	X'MAS TREE CLIP	X'MAS TREE CLIP	1	
	94001-10080	94001-10080-0S	NUT CASTLE 10MM	NUT CASTLE 10MM	1	
	94001-LLB1	94001-LLB1-900	NUT HEX 6 MM	NUT HEX 6 MM	1	
	94050	94050-06060	NUT FLANGE 6MM	NUT FLANGE 6MM	1	
	94102-08000	94102-08000	WASHER PLAIN 8MM	WASHER PLAIN 8MM	1	
	94102-PWB1	94102-PWB1-900	WASHER FLAT	WASHER FLAT	1	
	94103	94103-08800	WASHER PLAIN 8MM	WASHER PLAIN 8MM	1	
	94201	94201-20120	PIN SPLIT 2*12	PIN SPLIT 2*12	1	
	94540	94540-06012	E RING	E RING	1	
	95701-06022	95701-06022-06	BOLT FLANGE 6*22	BOLT FLANGE 6*22	1	
#	95701-08012	95701-08012-06	BOLT FLANGE 8*12	BOLT FLANGE 8*12	1	
#	95701-08016	95701-08016-06	BOLT FLANGE 8*16	BOLT FLANGE 8*16	1	
#	96001	96001-06020-06	BOLT FLANGE SH 6*20	BOLT FLANGE SH 6*20	1	



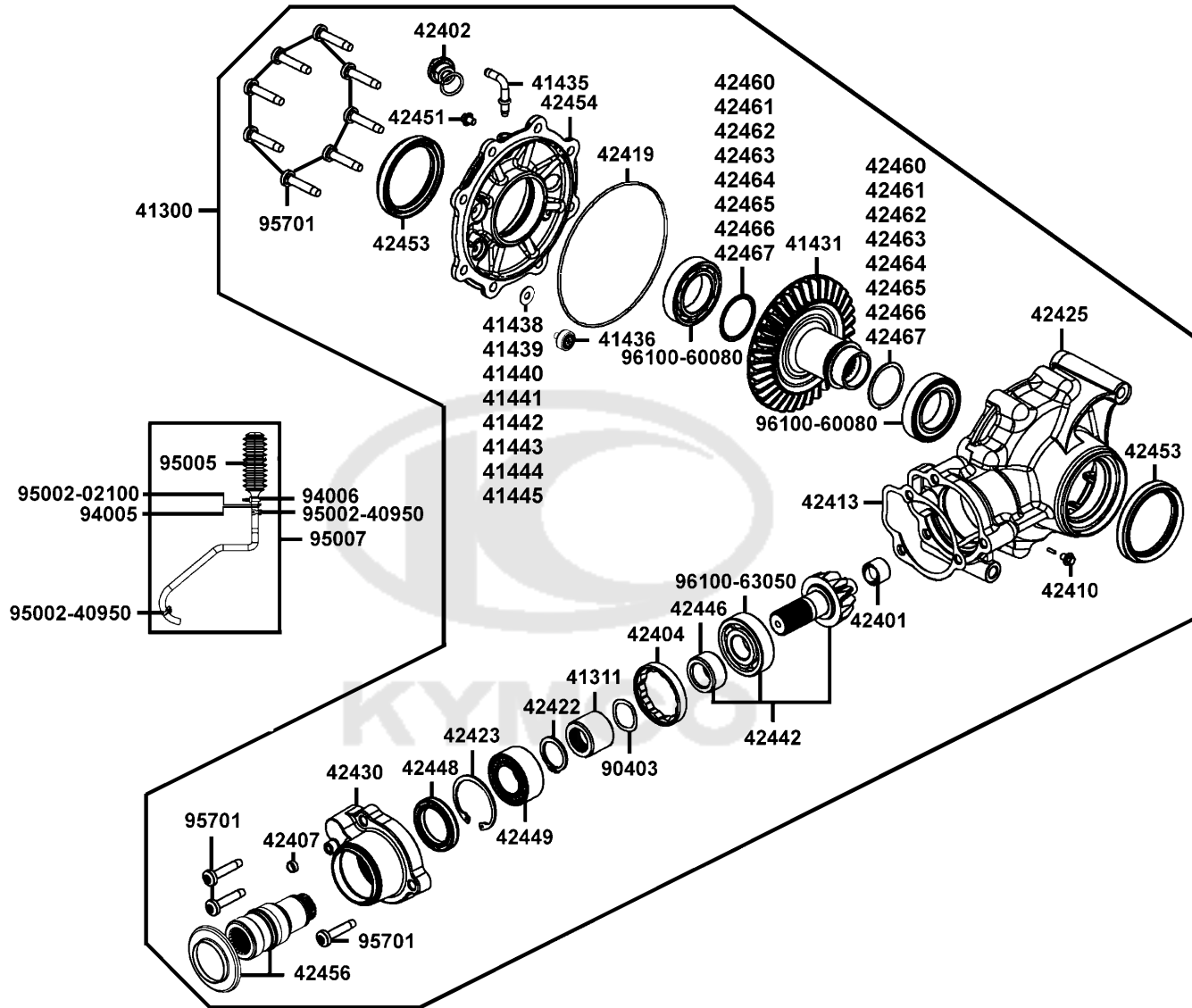
Sales mark	Ref no	Part no	Description	Reg description	Regd no	F16
	47450	47450-PWB1-900	KNUCKLE REAR ASSEMBLY RH	KNUCKLE REAR ASSEMBLY RH	1	
	47452	47452-PWB1-900	BUSHING RR SUSPENSION	BUSHING RR SUSPENSION	8	
	47453	47453-PWB1-900	COLLAR SUSPENSION	COLLAR SUSPENSION	4	
	47550	47550-PWB1-900	KNUCKLE REAR ASSEMBLY LH	KNUCKLE REAR ASSEMBLY LH	1	
	52103	52103-PWB1-900	SLEEVE SUSPENSION	SLEEVE SUSPENSION	2	
	52104	52104-PWB1-900	SLEEVE SUSPENSION	SLEEVE SUSPENSION	4	
	52108	52108-PWB1-900	BUSHING SUSPENSION	BUSHING SUSPENSION	12	
	52144	52144-PWB1-900	SEAL SUSPENSION	SEAL SUSPENSION	10	
**	52400	52400-LGN5-E00	CUSHION ASSY RR	CUSHION ASSY RR	2	
**	54400	54400-PWB1-E00	CONTROL ARM RH/LH UPPER ASSY	CONTROL ARM RH/LH UPPER ASSY	1	
**	54450	54450-LGN5-E00	A-ARM RH/LH LWR ASSY	A-ARM RH/LH LWR ASSY	1	
**	54500	54500-PWB1-E00	CONTROL ARM RH/LH UPPER ASSY	CONTROL ARM RH/LH UPPER ASSY	1	
**	54550	54550-LGN5-E00	A-ARM RH/LH LWR ASSY	A-ARM RH/LH LWR ASSY	1	
	54600	54600-LGN5-E00	BAR. STABILIZER	BAR. STABILIZER	2	
	54601	54601-LFE9-E00	BUSH STABILIZER	BUSH STABILIZER	2	
	54602	54602-LFE9-E00	HOLDER STABILIZER	HOLDER STABILIZER	2	
	54610	54610-LFE9-E00	JOINT STABILIZER RH	JOINT STABILIZER RH	1	
	54620	54620-LFE9-E00	STABILIZER JOINT LH	STABILIZER JOINT LH	1	
	90304	90304-GLW0-90A	NUT U FLANGE 10MM	NUT U FLANGE 10MM	18	
	94520	94520-55000	CIR CLIP IN 55	CIR CLIP IN 55	2	



Sales mark	Ref no	Part no	Description	Reg description	Regd no	F16
#	95701	95701-08016-06	BOLT FLANGE 8*16	BOLT FLANGE 8*16	4	
#	95801-10040	95801-10040-06	BOLT FLANGE 10*40	BOLT FLANGE 10*40	1	
#	95801-10065	95801-10065-06	BOLT FLANGE 10*65	BOLT FLANGE 10*65	1	
	95801-10085	95801-10085-06	BOLT FLANGE 10*85	BOLT FLANGE 10*85	4	
	95801-10095	95801-10095-06	BOLT FLANGE 10*95	BOLT FLANGE 10*95	4	
	95802	95802-PWB1-900	SCREW CAP-HFH M10X1.25X180	SCREW CAP-HFH M10X1.25X180	2	
	96151	96151-PWB1-900	BEARING WHEEL	BEARING WHEEL	2	

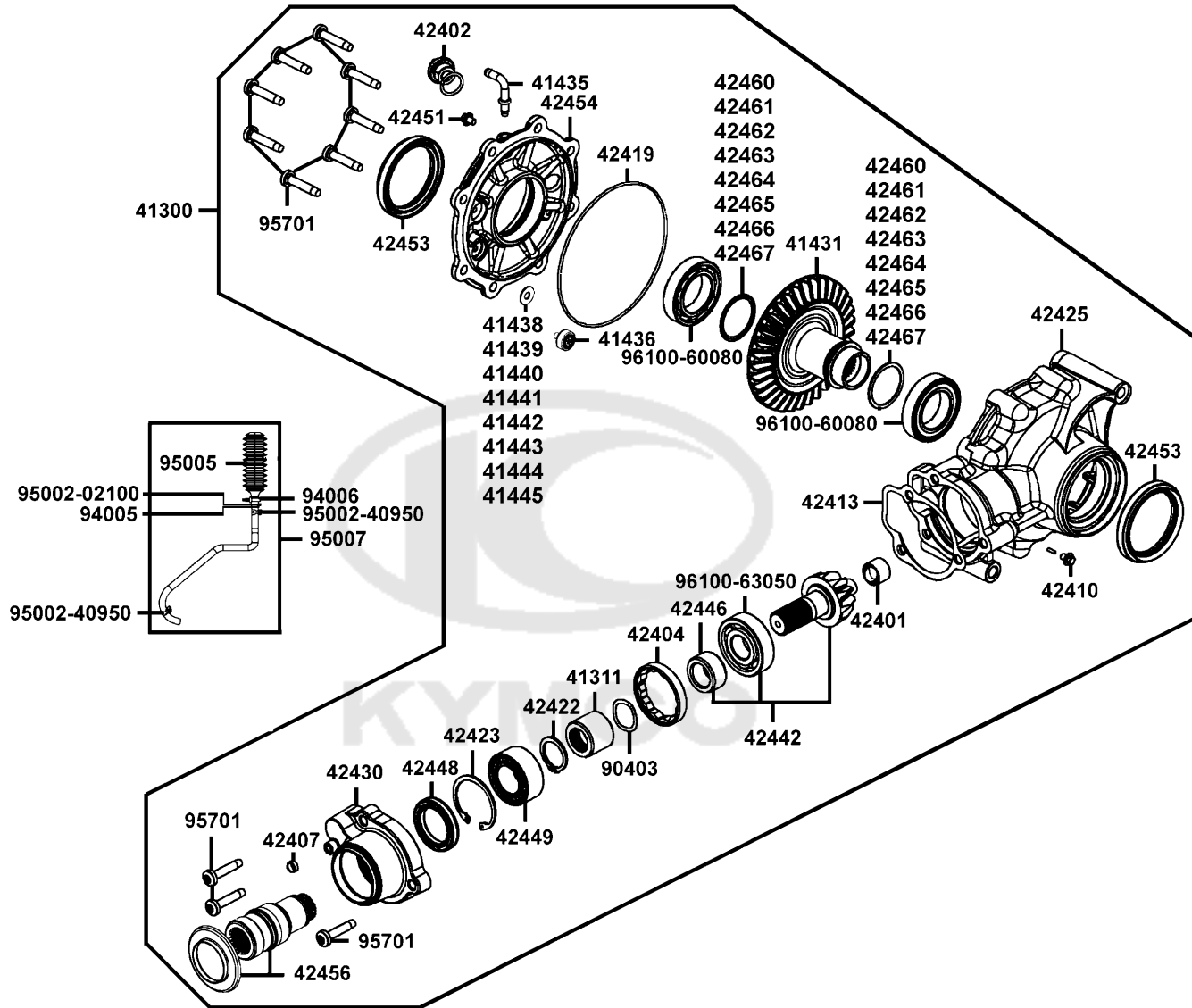


Control Arm Assy



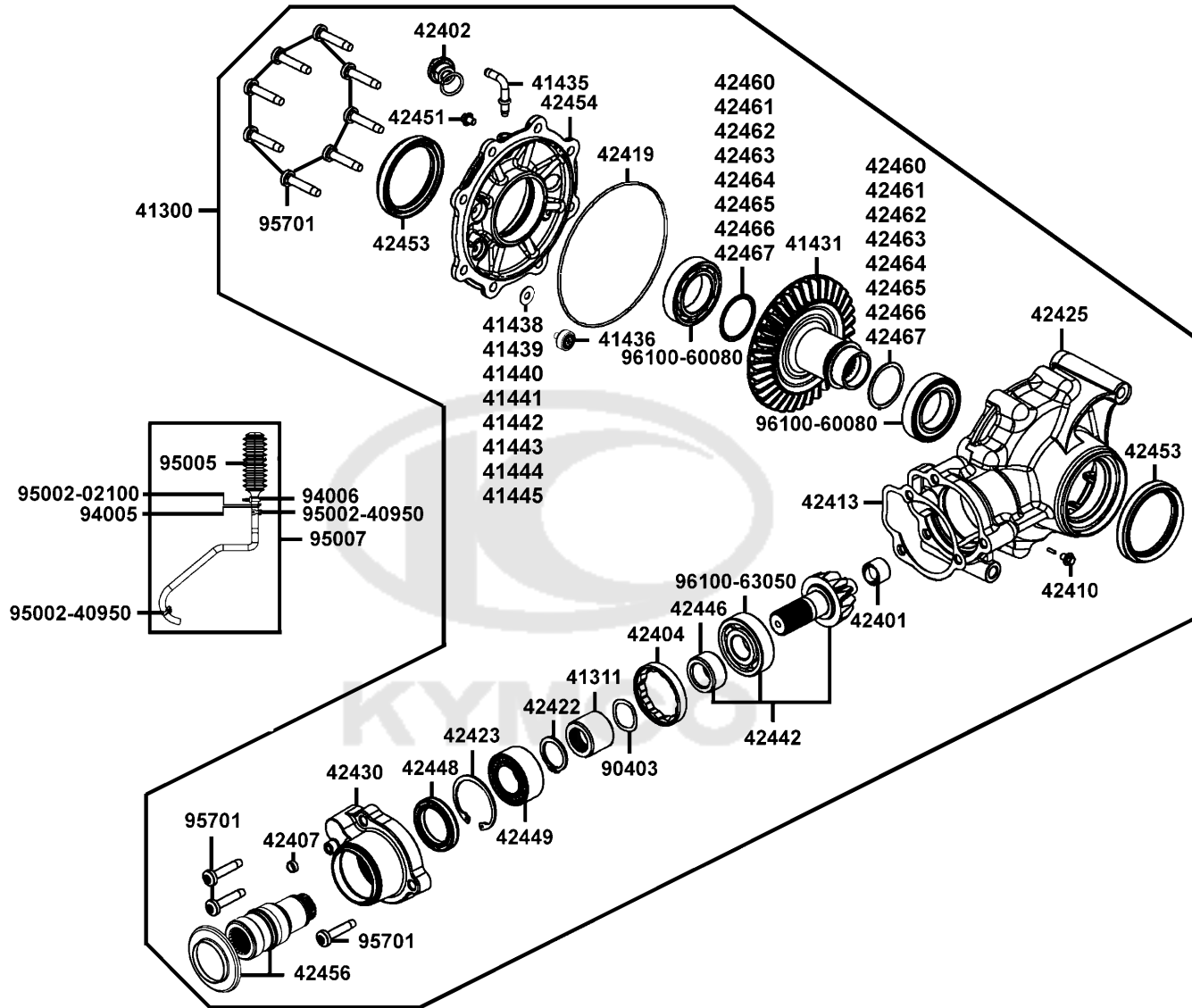
Sales mark	Ref no	Part no	Description	Reg description	Regd no	F17
	41300	41300-LGC3-900	GEARCASE REAR(3.1) ASSEMBLY	GEARCASE REAR(3.1) ASSEMBLY	1	
	41311	41311-LFA5-900	COLLAR SHAFT SPLINED	COLLAR SHAFT SPLINED	1	
	41431	41431-LFA5-900	GEAR REAR	GEAR REAR	1	
	41435	41435-LFA5-900	BARB 90 DEG	BARB 90 DEG	1	
	41436	41436-LFA5-900	BUTTON THRUST	BUTTON THRUST	1	
	41438	41438-LFA5-900	SHIM 6.3*18*1.0	SHIM 6.3*18*1.0	1	
	41439	41439-LFA5-900	SHIM 6.3*18*1.1	SHIM 6.3*18*1.1	1	
	41440	41440-LFA5-900	SHIM 6.3*18*1.2	SHIM 6.3*18*1.2	1	
	41441	41441-LFA5-900	SHIM 6.3*18*1.3	SHIM 6.3*18*1.3	1	
	41442	41442-LFA5-900	SHIM 6.3*18*1.4	SHIM 6.3*18*1.4	1	
	41443	41443-LFA5-900	SHIM 6.3*18*1.5	SHIM 6.3*18*1.5	1	
	41444	41444-LFA5-900	SHIM 6.3*18*1.6	SHIM 6.3*18*1.6	1	
	41445	41445-LFA5-900	SHIM 6.3*18*1.7	SHIM 6.3*18*1.7	1	
#	42401	42401-LFA5-900	BEARING NEEDLE	BEARING NEEDLE	1	
#	42401	42401-LFA5-90B	BEARING.NEEDLE(16NQ2316)	BEARING.NEEDLE(16NQ2316)	1	
	42402	42402-LFA5-900	PLUG FILL	PLUG FILL	1	
	42404	42404-LFA5-910	COLLAR LOCK M64X1.5 LH	COLLAR LOCK M64X1.5 LH	1	
	42407	42407-LFA5-900	PIN DOWEL	PIN DOWEL	1	
	42410	42410-LFA5-900	PLUG DRAIN MAG	PLUG DRAIN MAG	1	
	42413	42413-LFA5-900	GASKET FLANGE	GASKET FLANGE	1	

Control Arm Assy



Sales mark	Ref no	Part no	Description	Reg description	Regd no	F17
	42419	42419-LFA5-900	O-RING 150*2MM	O-RING 150*2MM	1	
	42422	42422-LFA5-900	RING RETAINING ONE	RING RETAINING ONE	1	
	42423	42423-LFA5-900	RING RETAINING	RING RETAINING	1	
	42425	42425-LFA5-910	HOUSING GEARCASE REAR MACH	HOUSING GEARCASE REAR MACH	1	
	42430	42430-LFA5-910	HOUSING PINION-MACH	HOUSING PINION-MACH	1	
	42442	42442-LFA5-900	PINION(11 TOOTH)-ASSEMBLY	PINION(11 TOOTH)-ASSEMBLY	1	
	42446	42446-LFA5-900	COLLAR RETAINING	COLLAR RETAINING	1	
	42448	42448-LFA5-900	SEAL 38*55*14	SEAL 38*55*14	1	
#	42449	42449-LFA5-900	BEARING BALL DOUBLE ROW	BEARING BALL DOUBLE ROW	1	
#	42449	42449-LFA5-90B	BEARING.BALL-DOUBLE ROW	BEARING.BALL-DOUBLE ROW	1	
	42451	42451-LFA5-900	PLUG OIL LEVEL	PLUG OIL LEVEL	1	
	42453	42453-LGC3-900	OIL SEAL 48*84*9	OIL SEAL 48*84*9	2	
	42454	42454-LFA5-910	COVER GEARCASE-RR MACH	COVER GEARCASE-RR MACH	1	
	42456	42456-LFA5-900	SHAFT INPUT ASSEMBLY	SHAFT INPUT ASSEMBLY	1	
	42460	42460-LFA5-900	SHIM 41*49*1.0	SHIM 41*49*1.0	2	
	42461	42461-LFA5-900	SHIM 41*49*1.1	SHIM 41*49*1.1	2	
	42462	42462-LFA5-900	SHIM 41*49*1.2	SHIM 41*49*1.2	2	
	42463	42463-LFA5-900	SHIM 41*49*1.3	SHIM 41*49*1.3	2	
	42464	42464-LFA5-900	SHIM 41*49*1.4	SHIM 41*49*1.4	2	
	42465	42465-LFA5-900	SHIM 41*49*1.5	SHIM 41*49*1.5	2	

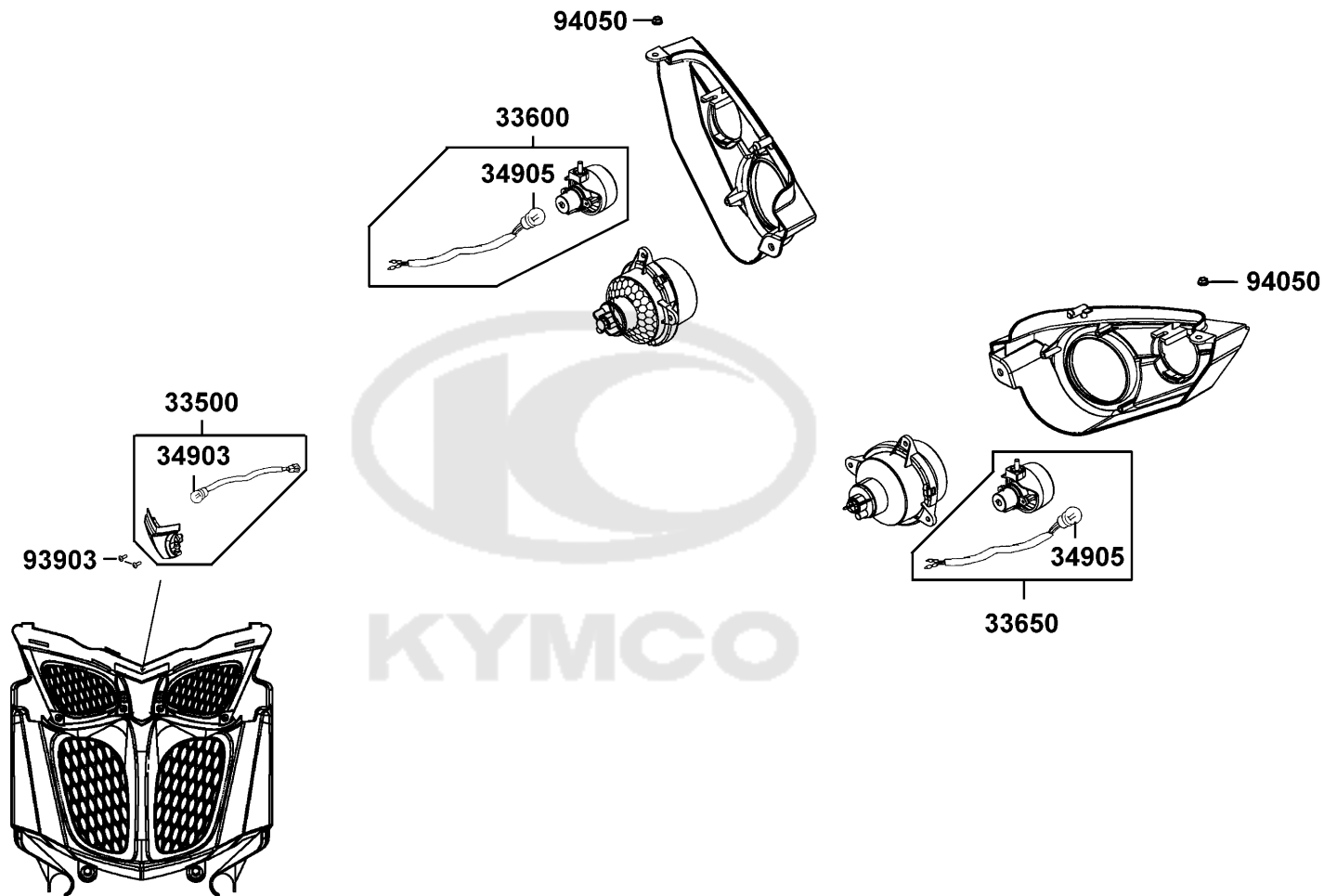
Control Arm Assy



Sales mark	Ref no	Part no	Description	Reg description	Regd no	F17
	42466	42466-LFA5-900	SHIM 41*49*1.6	SHIM 41*49*1.6	2	
	42467	42467-LFA5-900	SHIM 41*49*1.7	SHIM 41*49*1.7	2	
	90403	90403-LFA5-900	WASHER WAVE SPRING	WASHER WAVE SPRING	1	
	94005	94005-PWB1-900	HOSE BARB INTAKE MANIFOLD	HOSE BARB INTAKE MANIFOLD	1	
	94006	94006-PWB1-900	ROUTING CLIP SNAP-IN	ROUTING CLIP SNAP-IN	1	
	95002-02100	95002-02100	CLIP B15 TUBE	CLIP B15 TUBE	1	
	95002-40950	95002-40950-08	CLAMP D9.5 TUBE	CLAMP D9.5 TUBE	2	
	95005	95005-PWB1-900	BREATH TUBE RR GEAR ASSY	BREATH TUBE RR GEAR ASSY	1	
	95007	95007-LFA5-900	HOSE VENT-GEARCASE	HOSE VENT-GEARCASE	1	
#	95701	95701-08040-06	BOLT FLANGE 8x40 (G)	BOLT FLANGE 8x40 (G)	11	
	96100-60080	96100-60080-00	BRG RADIAL BALL 6008	BRG RADIAL BALL 6008	2	
	96100-63050	96100-63050-00	BRG BALL RADIAL 6305	BRG BALL RADIAL 6305	1	

F18

Winker Assy Fr

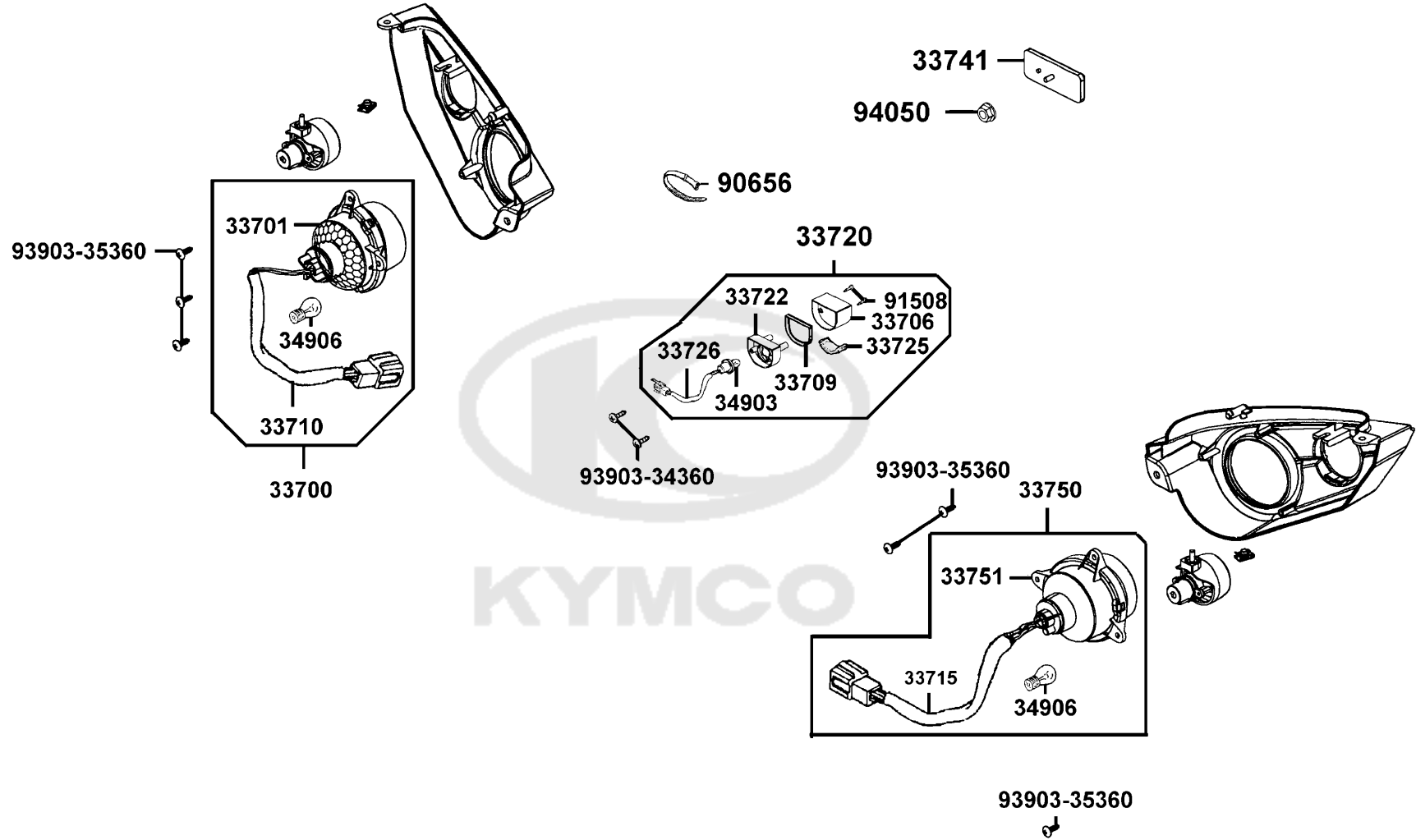


Sales mark	Ref no	Part no	Description	Reg description	Regd no	F18
	33500	33500-LGN5-E00	LIGHT ASSY FR POSITION	LIGHT ASSY FR POSITION	1	
	33600	33600-LGN5-E00	WINKER ASSY R RR	WINKER ASSY R RR	1	
	33650	33650-LGN5-E00	WINKER ASSY L RR	WINKER ASSY L RR	1	
	34903	34903-KPCP-900	BULB POSITION	BULB POSITION	1	
	34905	34905-LBA7-E00	BULB WINKER 12V10W	BULB WINKER 12V10W	2	
#	93903	93903-34360	SCREW TAPPING 4*12 (G)	SCREW TAPPING 4*12 (G)	2	
	94050	94050-05060	NUT FLANGE 5MM	NUT FLANGE 5MM	2	

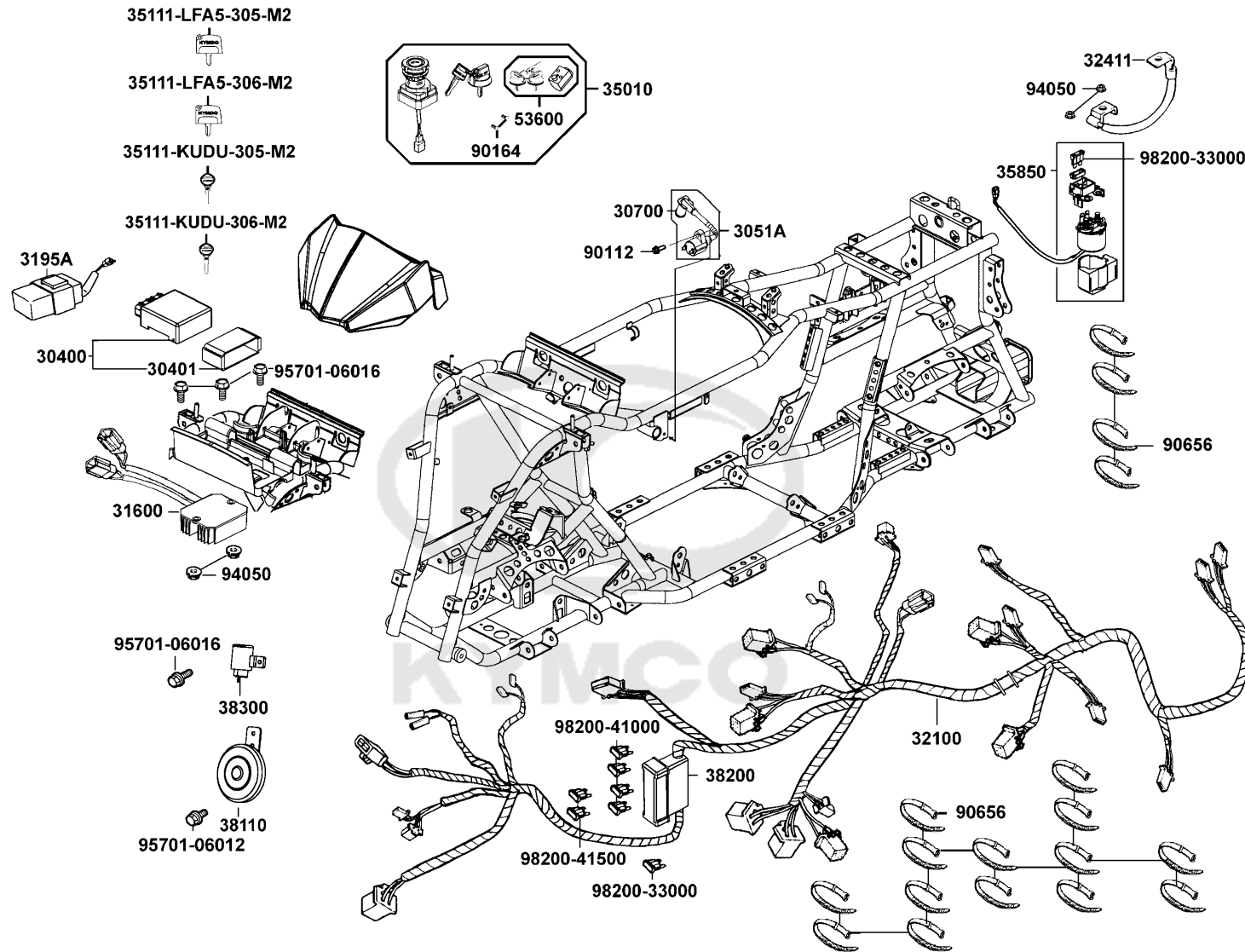


F19

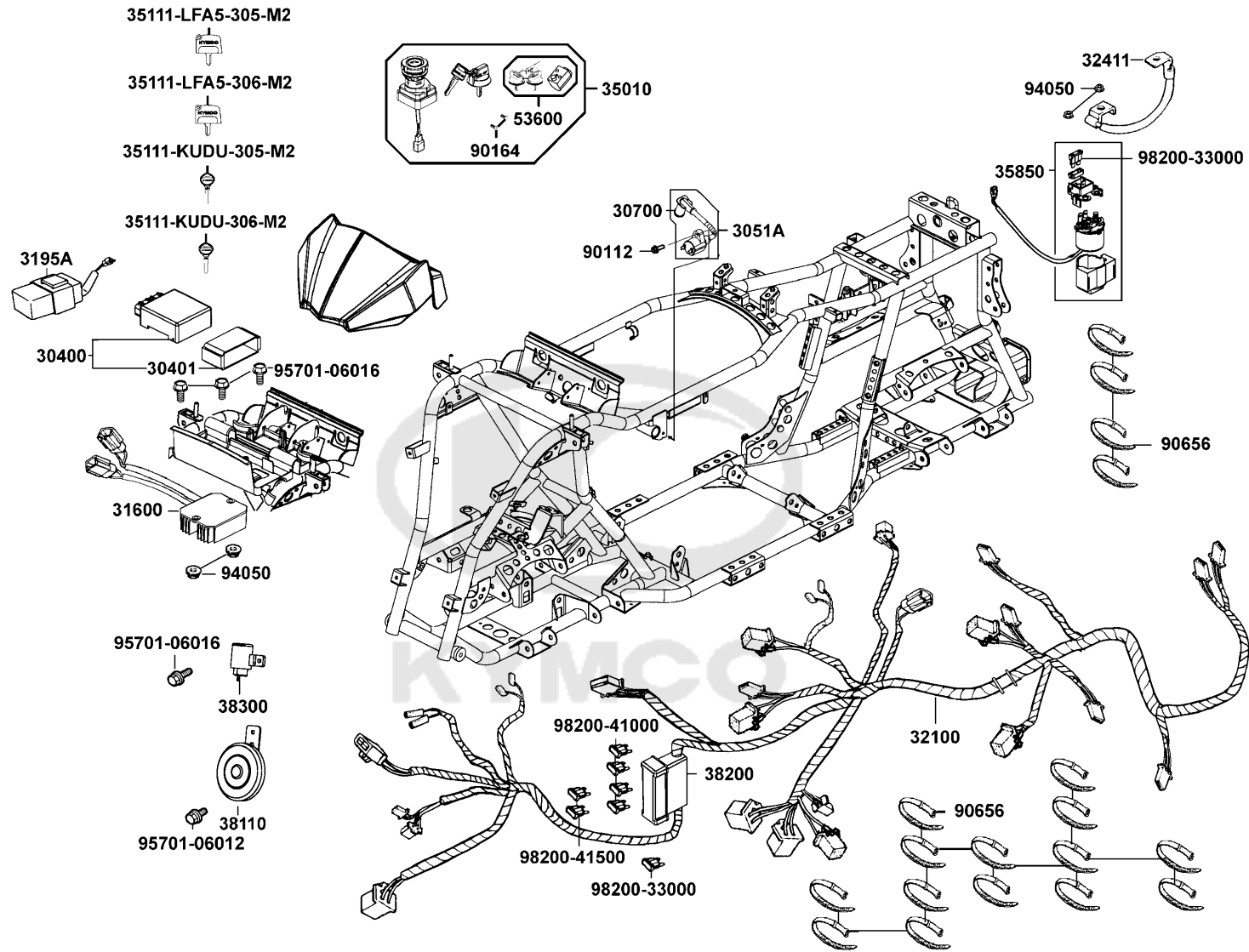
Light Tail



Sales mark	Ref no	Part no	Description	Reg description	Regd no	F19
	33700	33700-LGN5-E00	LIGHT ASSY R RR COMB	LIGHT ASSY R RR COMB	1	
	33701	33701-LGN5-E00	UNIT TAIL LIGHT R	UNIT TAIL LIGHT R	1	
	33706	33706-GCN3-67A	COVER LICENSE	COVER LICENSE	1	
	33709	33709-KBAB-003	PACKING LICENSE	PACKING LICENSE	1	
	33710	33710-LGN5-E00	SOCKET COMP R RR COMP	SOCKET COMP R RR COMP	1	
	33715	33715-LGN5-E00	SOCKET COMP L RR COMB	SOCKET COMP L RR COMB	1	
	33720	33720-LCA5-E00	LIGHT ASSY LICENSE	LIGHT ASSY LICENSE	1	
	33722	33722-KHB4-E00	BASE LICENSE	BASE LICENSE	1	
	33725	33725-KHB4-E00	LENS LICENSE	LENS LICENSE	1	
	33726	33726-LCA5-E00	SOCKET COMP	SOCKET COMP	1	
	33741	33741-KHC5-M00	REFLEX REFLECTOR	REFLEX REFLECTOR	1	
	33750	33750-LGN5-E00	LIGHT ASSY L RR COMB	LIGHT ASSY L RR COMB	1	
	33751	33751-LGN5-E00	UNIT TAIL LIGHT L	UNIT TAIL LIGHT L	1	
	34903	34903-KPCP-900	BULB POSITION	BULB POSITION	1	
	34906	34906-KPCP-900	BULB TAIL & STOP	BULB TAIL & STOP	2	
	90656	90656-KCBC-900	BAND OIL HANDLE	BAND OIL HANDLE	1	
	91508	91508-KGV7-67A	SCREW TAPPING 4*14	SCREW TAPPING 4*14	2	
#	93903-34360	93903-34360	SCREW TAPPING 4*12 (G)	SCREW TAPPING 4*12 (G)	2	
#	93903-35360	93903-35360	SCREW TAPPING 5*16	SCREW TAPPING 5*16	6	
	94050	94050-05060	NUT FLANGE 5MM	NUT FLANGE 5MM	1	

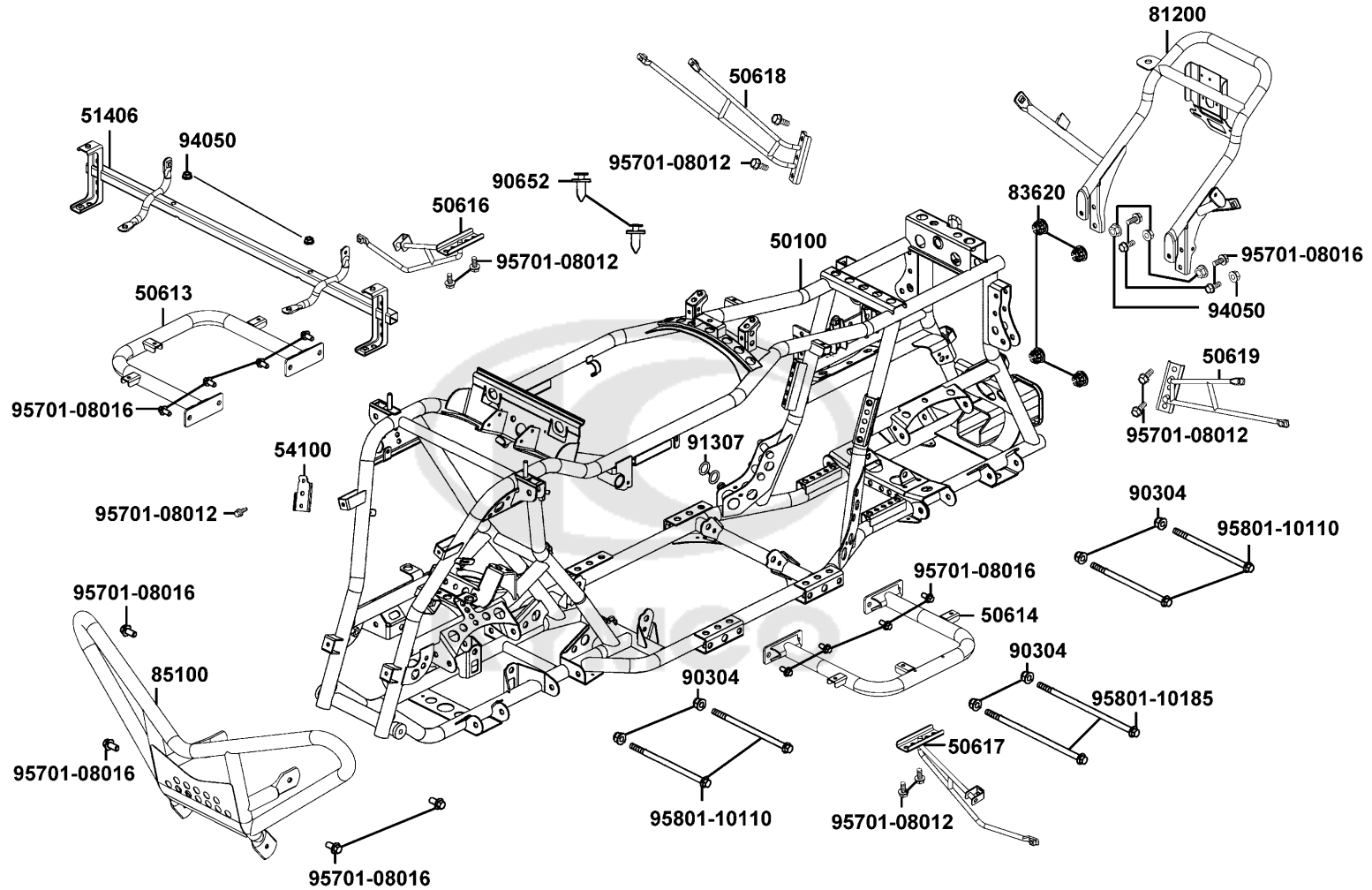


Sales mark	Ref no	Part no	Description	Reg description	Regd no	F20
	30400	30400-PWB1-E00	UNIT ASSY IGNITION	UNIT ASSY IGNITION	1	
	30401	30401-PWB1-900	CUSHION CDI UNIT	CUSHION CDI UNIT	1	
	3051A	3051A-LGN5-E00	COIL ASS'Y IGNITION	COIL ASS'Y IGNITION	1	
	30700	30700-PWB1-900	CAP ASSY NOISE SUPPRESSO	CAP ASSY NOISE SUPPRESSO	1	
	31600	31600-PWB1-900	REG RECT COMP	REG RECT COMP	1	
	3195A	3195A-LBA7-E00	HAZARD CONTROL ASSY	HAZARD CONTROL ASSY	1	
	32100	32100-LGN5-E00	HARNESS WIRE	HARNESS WIRE	1	
	32411	32411-LGN5-E00	CABLE BAT	CABLE BAT	1	
	35010	35010-LFA5-E00	KEY SET	KEY SET	1	
	35111-KUDU-305-M2	35111-KUDU-305-M2	KEY COMP (R TANGENT PLANE TJ)	KEY COMP (R TANGENT PLANE TJ)	1	
	35111-KUDU-306-M2	35111-KUDU-306-M2	KEY COMP(L TANGENT PLANE TJ)	KEY COMP(L TANGENT PLANE TJ)	1	
	35111-LFA5-305-M2	35111-LFA5-305-M2	KEY COMP (R TANGENT PLANE/TJ)	KEY COMP (R TANGENT PLANE/TJ)	1	
	35111-LFA5-306-M2	35111-LFA5-306-M2	KEY COMP (L TANGENT PLANE/TJ)	KEY COMP (L TANGENT PLANE/TJ)	1	
	35850	35850-LBA2-E00	SET START MAG	SET START MAG	1	
	38110	38110-LDB5-E00	HORN COMP	HORN COMP	1	
	38200	38200-PWB1-900	BLADE FUSE 30A	BLADE FUSE 30A	1	
#	38300	38300-LEA5-E0A	RELAY ASSY WINKER	RELAY ASSY WINKER	1	
	53600	53600-KKAK-325	LOCK STEERING HANDLE ASSY	LOCK STEERING HANDLE ASSY	1	
	90112	90112-KRDR-900	BOLT FLANGE 5*22	BOLT FLANGE 5*22	1	
	90164	90164-0H28-900	SCREW FLAT U LOCK 6*12	SCREW FLAT U LOCK 6*12	2	

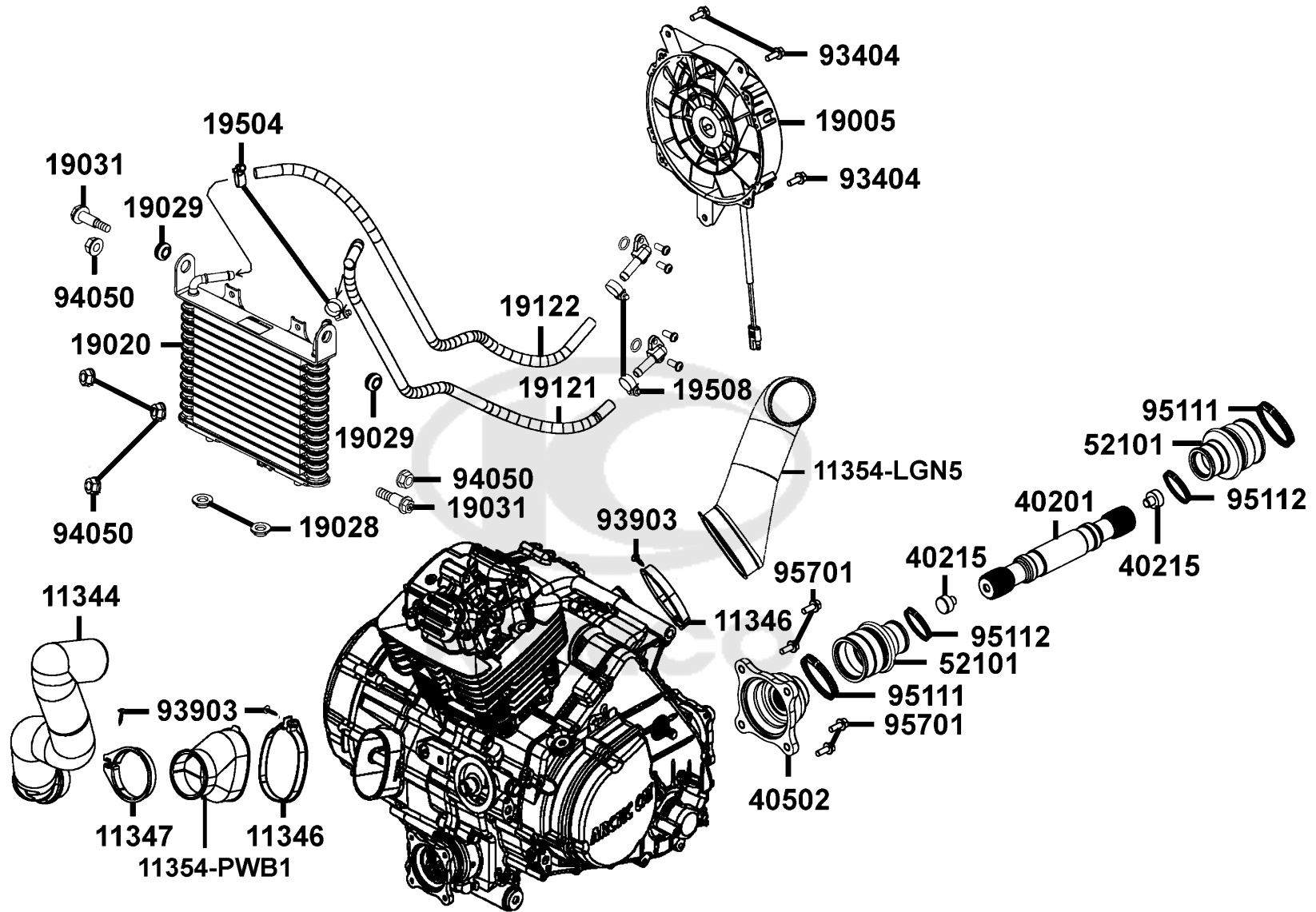


Sales mark	Ref no	Part no	Description	Reg description	Regd no	F20
	90656	90656-KCBC-900	BAND OIL HANDLE	BAND OIL HANDLE	18	
	94050	94050-06080	NUT FLANGE 6MM	NUT FLANGE 6MM	4	
	95701-06012	95701-06012-06	BOLT FLANGE 6*12	BOLT FLANGE 6*12	1	
#	95701-06016	95701-06016-06	BOLT FLANGE 6*16 (K)	BOLT FLANGE 6*16 (K)	3	
	98200-33000	98200-33000	BLADE FUSE 30A	BLADE FUSE 30A	2	
	98200-41000	98200-41000	FUSE 10A	FUSE 10A	4	
	98200-41500	98200-41500	FUSE 15A	FUSE 15A	2	

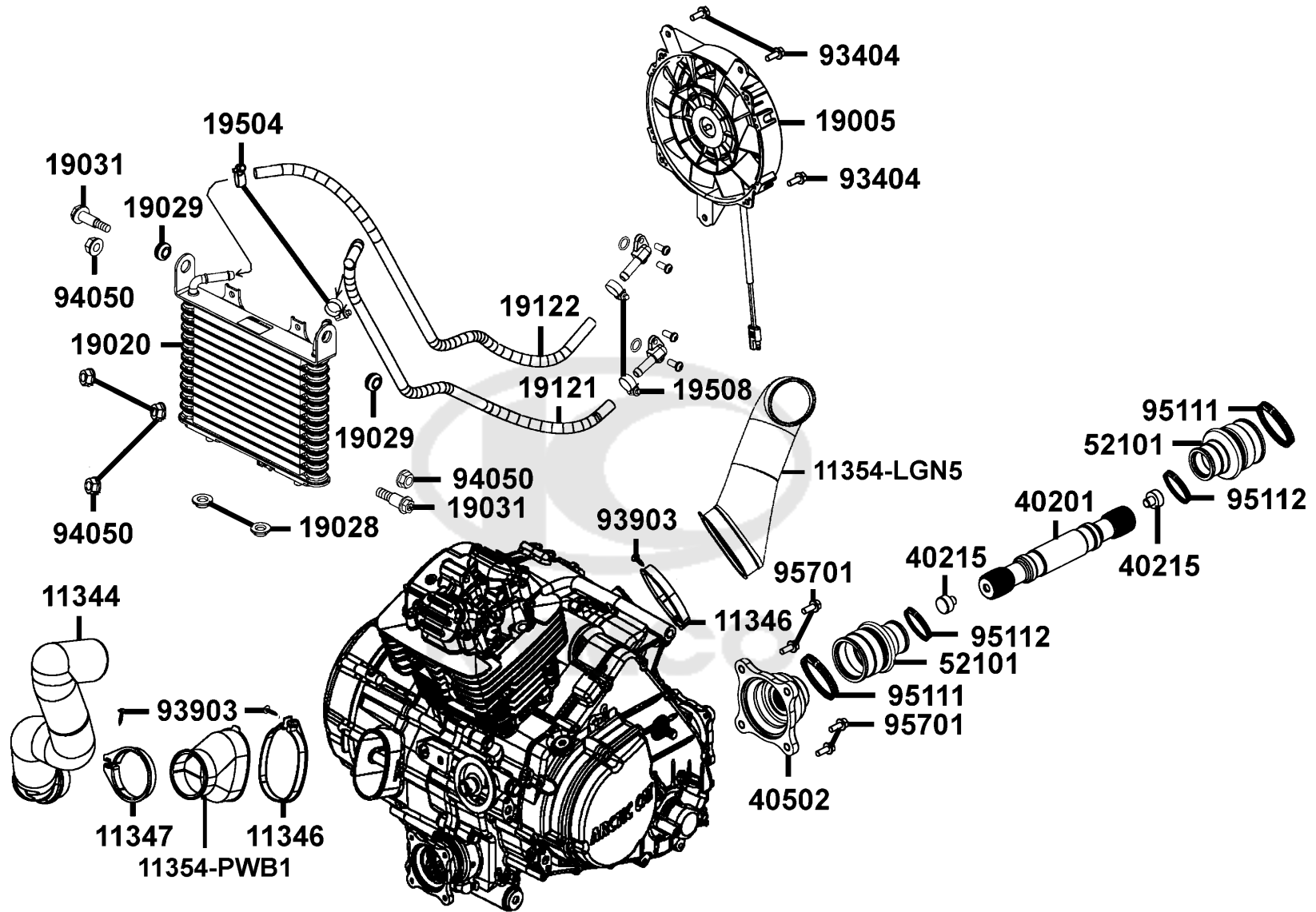




Sales mark	Ref no	Part no	Description	Reg description	Regd no	F21
	50100	50100-LGN5-E00	BODY COMP.. FRAME	BODY COMP.. FRAME	1	
	50613	50613-LGN5-E00	FOOTREST R-WELDMENT	FOOTREST R-WELDMENT	1	
	50614	50614-LGN5-E00	FOOTREST L-WELDMENT	FOOTREST L-WELDMENT	1	
	50616	50616-LGN5-E00	STAY R FRONT FENDER	STAY R FRONT FENDER	1	
	50617	50617-LGN5-E00	STAY L FRONT FENDER	STAY L FRONT FENDER	1	
	50618	50618-LGN5-E00	STAY R REAR FENDER	STAY R REAR FENDER	1	
	50619	50619-LGN5-E00	STAY L REAR FENDER	STAY L REAR FENDER	1	
	51406	51406-LGN5-E00	TUBE COMP HEADLIGHT	TUBE COMP HEADLIGHT	1	
	54100	54100-LGC7-E00	STAY ELE SET	STAY ELE SET	1	
	81200	81200-LGN5-E00	RACK. REAR	RACK. REAR	1	
	83620	83620-LFA5-E00	CAP PIPE	CAP PIPE	4	
**	85100	85100-LGN5-E00	BUMPER FRONT	BUMPER FRONT	1	
	90304	90304-GLW0-90A	NUT U FLANGE 10MM	NUT U FLANGE 10MM	6	
	90652	90652-LDB5-900	CLIP MUDGUARD	CLIP MUDGUARD	2	
	91307	91307-PWB1-900	O-RING 10.82X1.778	O-RING 10.82X1.778	2	
	94050	94050-08060	NUT FLANGE 8MM	NUT FLANGE 8MM	6	
#	95701-08012	95701-08012-06	BOLT FLANGE 8*12	BOLT FLANGE 8*12	9	
#	95701-08016	95701-08016-06	BOLT FLANGE 8*16	BOLT FLANGE 8*16	16	
	95801-10110	95801-10110-06	BOLT FLANGE 10*110	BOLT FLANGE 10*110	4	
	95801-10185	95801-10185-06	BOLT FLANGE 10*185 (G)	BOLT FLANGE 10*185 (G)	2	

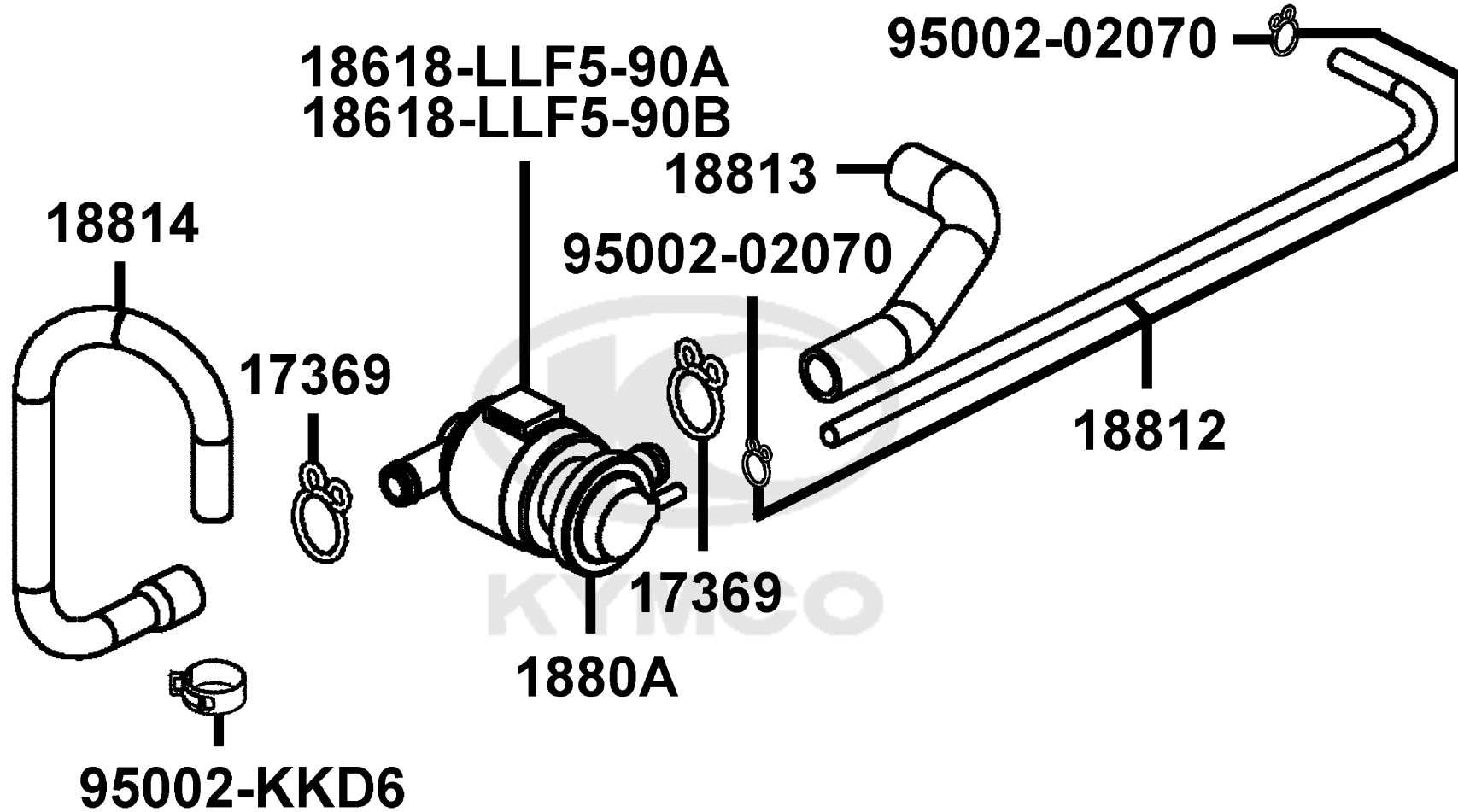


Sales mark	Ref no	Part no	Description	Reg description	Regd no	F22
11344		11344-PWB1-900	DUCT BELT AIR OUT	DUCT BELT AIR OUT	1	
11346		11346-PWB1-900	CLAMP PLASTC-SCREW-OVAL	CLAMP PLASTC-SCREW-OVAL	2	
11347		11347-PWB1-900	CLAMP PLASTC-SCREW-OVAL	CLAMP PLASTC-SCREW-OVAL	2	
11354-LGN5		11354-LGN5-E00	BOOT AIR-OUT	BOOT AIR-OUT	1	
11354-PWB1		11354-PWB1-900	BOOT AIR-IN	BOOT AIR-IN	2	
19005		19005-PWB1-900	FAN COOLIGN SMALL 6-	FAN COOLIGN SMALL 6-	1	
19020		19020-PWB1-900	COOLER OIL	COOLER OIL	1	
19028		19028-PWB1-900	BUSHING STEM	BUSHING STEM	2	
19029		19029-PWB1-900	GROMMET	GROMMET	2	
19031		19031-PWB1-900	BOLT SHOULDER	BOLT SHOULDER	2	
19121		19121-PWB1-900	HOSE OIL 30	HOSE OIL 30	1	
19122		19122-PWB1-900	HOSE OIL-OUT	HOSE OIL-OUT	1	
19504		19504-LBA2-E00	CLAMP D16.8	CLAMP D16.8	2	
19508		19508-LEE8-E00	CLAMP 20.0	CLAMP 20.0	2	
40201		40201-PWB1-900	SHAFT PROPELLER-REAR	SHAFT PROPELLER-REAR	1	
40215		40215-PWB1-900	BUMPER DRIVESHAFT	BUMPER DRIVESHAFT	2	
40502		40502-PWB1-900	FLANGE OUTPUT	FLANGE OUTPUT	1	
52101		52101-PWB1-900	BOOT COUPLER	BOOT COUPLER	2	
93404		93404-06016-06	BOLT WASHER 6*16	BOLT WASHER 6*16	3	
93903		93903-45360	SCREW TAPPING 5*16	SCREW TAPPING 5*16	3	

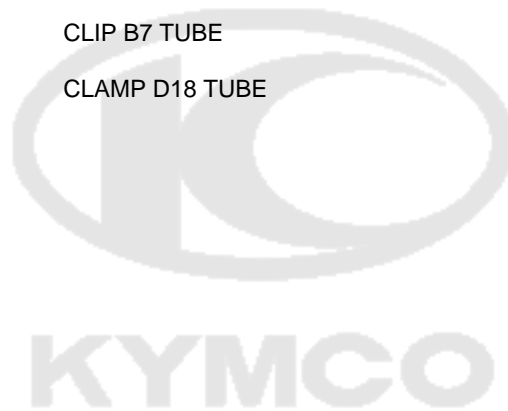


Sales mark	Ref no	Part no	Description	Reg description	Regd no	F22
	94050	94050-06060	NUT FLANGE 6MM	NUT FLANGE 6MM	5	
	95111	95111-PWB1-900	CLAMP BOOT	CLAMP BOOT	2	
	95112	95112-PWB1-900	CLAMP 30mm-BOOT	CLAMP 30mm-BOOT	2	
	95701	95701-08020-06	BOLT FLANGE 8*20	BOLT FLANGE 8*20	4	



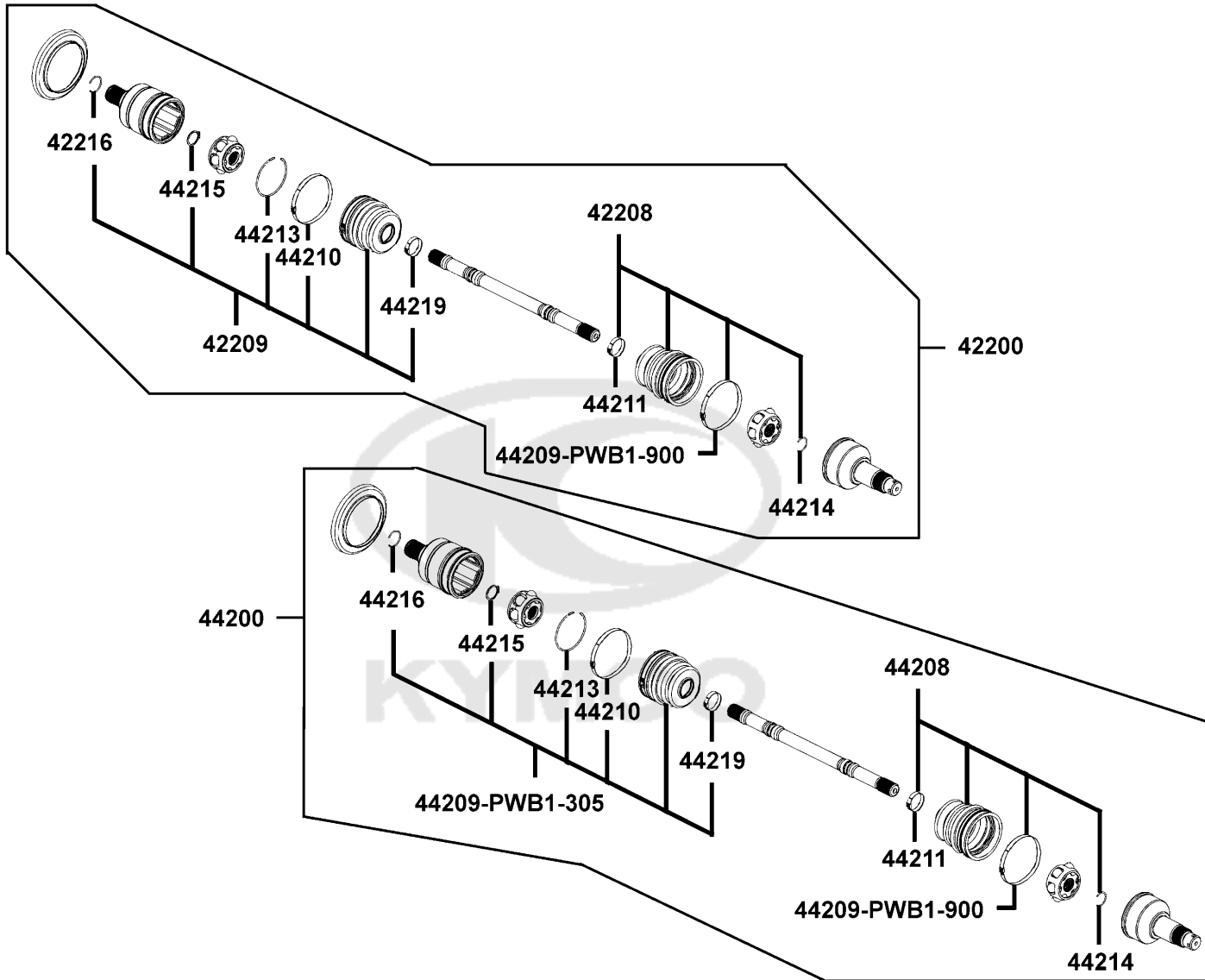


Sales mark	Ref no	Part no	Description	Reg description	Regd no	F23
	17369	17369-KDB4-671	CLIP BREATHER TUBE	CLIP BREATHER TUBE	2	
	18618-LLF5-90A	18618-LLF5-90A	RUBBER AICV MOUNT	RUBBER AICV MOUNT	1	
	18618-LLF5-90B	18618-LLF5-90B	RUBBER AICV MOUNT	RUBBER AICV MOUNT	1	
	1880A	1880A-LFA5-E0A	AI/C-AICV ASSY.	AI/C-AICV ASSY.	1	
	18812	18812-LFA5-E00	"TUBE ASSY..VACUUM"	"TUBE ASSY..VACUUM"	1	
	18813	18813-LFA5-E00	"DUCT.AICV-REED VALVE"	"DUCT.AICV-REED VALVE"	1	
	18814	18814-LFA5-E00	"DUCT.AIR-AICV"	"DUCT.AIR-AICV"	1	
	95002-02070	95002-02070	CLIP B7 TUBE	CLIP B7 TUBE	2	
	95002-KKD6	95002-KKD6-E05	CLAMP D18 TUBE	CLAMP D18 TUBE	1	



F24

Separated Parts Of Halfshaft



Sales mark	Ref no	Part no	Description	Reg description	Regd no	F24
	42200	42200-LGC3-900	HALFSHAFT. REAR	HALFSHAFT. REAR	2	
#	42208	42208-PWB1-305	WHEEL SIDE BOOT SERVICE KIT	WHEEL SIDE BOOT SERVICE KIT	1	
#	42209	42209-PWB1-305	DIFF SIDE BOOT SERVICE KIT	DIFF SIDE BOOT SERVICE KIT	1	
#	42216	42216-PWB1-900	CIRCLIP (DOJ STEM)	CIRCLIP (DOJ STEM)	1	
	44200	44200-LGC3-900	HALFSHAFT FRONT	HALFSHAFT FRONT	2	
	44208	44208-PWB1-305	WHEEL SIDE BOOT SERVICE KIT	WHEEL SIDE BOOT SERVICE KIT	2	
	44209-PWB1-305	44209-PWB1-305	DIFF SIDE BOOT SERVICE KIT	DIFF SIDE BOOT SERVICE KIT	2	
	44209-PWB1-900	44209-PWB1-900	BOOT-BAND (L)	BOOT-BAND (L)	2	
	44210	44210-PWB1-900	BOOT-BAND (L)	BOOT-BAND (L)	2	
	44211	44211-PWB1-900	BOOT-BAND (S)	BOOT-BAND (S)	2	
	44213	44213-PWB1-900	CIRCLIP (DOJ MONTH)	CIRCLIP (DOJ MONTH)	2	
	44214	44214-PWB1-900	CIRCLIP	CIRCLIP	2	
	44215	44215-PWB1-900	SNAP RING	SNAP RING	2	
	44216	44216-PWB1-900	CIRCLIP (DOJ STEM)	CIRCLIP (DOJ STEM)	2	
	44219	44219-PWB1-900	BOOT-BAND (S)	BOOT-BAND (S)	2	

▲ WARNING

IMPROPER TIRE PRESSURE OR OVERLOADING CAN CAUSE LOSS OF CONTROL. LOSS OF CONTROL CAN RESULT IN SEVERE INJURY OR DEATH.

OPERATING TIRE PRESSURE: Set with tires cold

Recommended:

FRONT: 40 ± 3kpa, (0.4 ± 0.03 kgf/cm²), 5.7 ± 0.4 psi
 REAR : 40 ± 3kpa, (0.4 ± 0.03 kgf/cm²), 5.7 ± 0.4 psi

Never set tire pressure over the recommended.

87505-LGN5-E01

87505

▲ WARNING

Exceeding vehicle's towing limit could cause an accident. Reduce speed when towing a trailer. Read operator's manual for details.

MAXIMUM TONGUE WEIGHT:
 33 lbs. (15 kg)



MAXIMUM TOWING CAPACITY:
 278 lbs. (126 kg)

87514-LGN6-E02

87514

▲ WARNING

Improper ATV use can result in SEVERE INJURY or DEATH

ALWAYS USE AN APPROVED HELMET AND PROTECTIVE GEAR

NEVER USE WITH DRUGS OR ALCOHOL

NEVER operate:

- without proper training or instruction
- at speeds too fast for your skills or the conditions.
- do not operate the vehicle after consuming alcohol or drugs.

ALWAYS:

- use proper riding techniques to avoid vehicle overturns on hill and rough terrain and in turns.
- for your safety, wear gear to include helmet gloves and foot protection.
- gasoline is flammable, shut off engine, avoid sparks and open flame when refueling.

LOCATE AND READ OPERATOR'S MANUAL. FOLLOW ALL INSTRUCTIONS AND WARNINGS

87515-LDB6-E10

87515


CAUTION

Before shifting, you must stop the machine and return the throttle lever to its closed position until the engine speed to the specified idling speed. Otherwise, the transmission may be damaged.

87322-LBA7-E000

87322

▲ WARNING



Operating this ATV if you are under the age of 16 increases your chances of severe injury or death.

NEVER operate this ATV if you are under the age of 16.

87517-LDB6-E00

87517

Sales mark	Ref no	Part no	Description	Reg description	Regd no	F25
**	87322	87322-LBA7-E00	CAUTION SHIFIT GEARS	CAUTION SHIFIT GEARS	1	
**	87505	87505-LGN5-E01	LABEL TIRE ON ROAD	LABEL TIRE ON ROAD	1	
**	87514	87514-LGN5-E02	CAUTION MAX/MUM CAPACITY	CAUTION MAX/MUM CAPACITY	1	
**	87515	87515-LDB5-E01	DRIVE WARNING LIST-ON ROAD	DRIVE WARNING LIST-ON ROAD	1	
**	87517	87517-LDB5-E00	CAUTION DRIVE AGE 16	CAUTION DRIVE AGE 16	1	





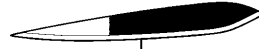
87503-LGN5-900



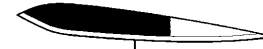
87503-LGN5-910



86102



86553



86543



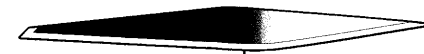
86633



86623



86653



86643



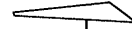
87702



87701



87704



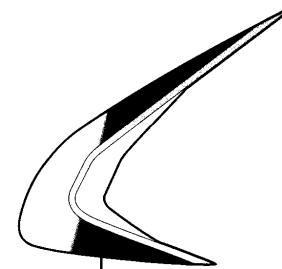
87703



86523



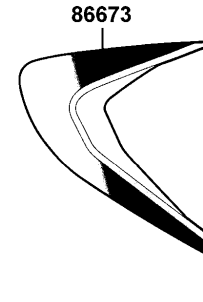
86533



86663



87705



86673



87706

Sales mark	Ref no	Part no	Description	Reg description	Regd no	F26
**	86102	86102-LDB5-900	STRIPE K-LOGO 28.5MM	STRIPE K-LOGO 28.5MM	1	
**	86523	86523-LGN5-E60	STRIPE R FENDER FRONT	STRIPE R FENDER FRONT	1	
**	86533	86533-LGN5-E60	STRIPE L FENDER FRONT	STRIPE L FENDER FRONT	1	
**	86543	86543-LGN5-E60	STRIPE B R FENDER FRONT	STRIPE B R FENDER FRONT	1	
**	86553	86553-LGN5-E60	STRIPE B L FENDER FRONT	STRIPE B L FENDER FRONT	1	
**	86623	86623-LGN5-E60	STRIPE R FENDER REAR	STRIPE R FENDER REAR	1	
**	86633	86633-LGN5-E60	STRIPE L FENDER REAR	STRIPE L FENDER REAR	1	
**	86643	86643-LGN5-E60	STRIPE B R FENDER REAR	STRIPE B R FENDER REAR	1	
**	86653	86653-LGN5-E60	STRIPE B L FENDER REAR	STRIPE B L FENDER REAR	1	
**	86663	86663-LGN5-E60	STRIPE C R FENDER REAR	STRIPE C R FENDER REAR	1	
**	86673	86673-LGN5-E60	STRIPE C L FENDER REAR	STRIPE C L FENDER REAR	1	
**	87503-LGN5-900	87503-LGN5-900	STRIPE KYMCO-125mm (PP)	STRIPE KYMCO-125mm (PP)	1	
**	87503-LGN5-910	87503-LGN5-910	STRIPE KYMCO-185mm (PP)	STRIPE KYMCO-185mm (PP)	1	
**	87701	87701-LGN5-E60	DECAL DIAMOND REFLEGCTION	DECAL DIAMOND REFLEGCTION (YELLOW)	1	
**	87702	87702-LGN5-E60	DECAL DIAMOND REFLEGCTION	DECAL DIAMOND REFLEGCTION (YELLOW)	1	
**	87703	87703-LGN5-E60	DECAL DIAMOND REFLEGCTION (RED)	DECAL DIAMOND REFLEGCTION (RED)	1	
**	87704	87704-LGN5-E60	DECAL DIAMOND REFLEGCTION (RED)	DECAL DIAMOND REFLEGCTION (RED)	1	
**	87705	87705-LGN5-E60	DECAL DIAMOND REFLEGCTION	DECAL DIAMOND REFLEGCTION (WHITE)	1	
**	87706	87706-LGN5-E60	DECAL DIAMOND REFLEGCTION	DECAL DIAMOND REFLEGCTION (WHITE)	1	

PART NO. INDEX

PART NO.	VERSION	PAGE	PART NO.	VERSION	PAGE	PART NO.	VERSION	PAGE
0000			4000			11354-PWB1-900	4	F22
0110-803-1100	0	E11	4000-319-0000	0	E11	11394-PWB1-900	2	E05
0301-800-2000	0	E11				11395-PWB1-900	2	E02
0301-803-2000	0	E11	11000			11396-PWB1-900	2	E02
0405-019-1000	0	E11				11496-PWB1-900	1	E05
						12000		
			11103-PWB1-900	2	E01			
1000			11105-PWB1-900	1	E01	12100-PWB1-900	6	E04
			11106-PWB1-900	2	E01	12191-PWB1-900	2	E04
1030-905-2100	0	E11	11107-PWB1-900	2	E01	12205-KHE8-301	5	E03
1034-868-2400	0	E11	11108-PWB1-900	4	E01	12209-PWB1-900	2	E03
1052-829-2100	0	E11	1110A-PWB1-900	4	E01	1220A-LFA5-E00	1	E03
1090-872-2000	0	E11	11203-PWB1-900	2	E01	12251-PWB1-900	1	E04
1198-816-2000-3	0	E11	11330-PWB1-900	5	E05	12302-PWB1-900	1	E03
1201-869-2100	0	E11	11331-PWB1-900	2	E02	12311-LFA5-E00	0	E03
1202-855-6000	0	E11	11332-PWB1-900	1	E05	12361-LFA5-E00	1	E03
1229-801-7000	0	E11	11333-LFA5-900	3	E02	1236A-PWB1-900	2	E03
1230-842-2000	0	E11	11334-PWB1-900	1	E02			
1230-862-7001	0	E11	11335-PWB1-900	2	E01	13000		
1230-922-7000	0	E11	11335-PWB1-900	2	E02			
1290-945-2000	0	E11	11344-PWB1-900	2	F22	13000-PWB1-900	12	E04
1290-A60-2000	0	E11	11346-PWB1-900	2	F22	13011-PWB1-900	2	E04
1300-196-2001	0	E11	11347-PWB1-900	2	F22	13101-PWB1-900	7	E04
140B-A15C-0000	0	E11	11348-LFA5-900	2	E05	13111-PWB1-900	3	E04
1786-A15C-0001	0	E11	11354-LGN5-E00	1	F22	13418-PWB1-900	4	E04

PART NO. INDEX

PART NO.	VERSION	PAGE	PART NO.	VERSION	PAGE	PART NO.	VERSION	PAGE
13421-PWB1-900	2	E04	14771-PWB1-900	3	E03	1610K-LFA5-E00	1	E11
14000			14777-PWB1-900	3	E03	16215-LFA5-E00	1	E03
			14781-MFA6-001	0	E03	16911-LFA5-E00	2	F10
						16950-PWB1-910	2	F10
14100-PWB1-910	2	E03	15000			16951-LGN5-E00	0	F10
14321-PWB1-900	5	E03				16958-KHB4-900	1	E01
14323-PWB1-900	1	E03		15051-PWB1-900	1	E01	16958-KHB4-900	1
14324-PWB1-900	2	E03	15052-PWB1-900	1	E05	17000		
14401-PWB1-900	2	E04	15100-PWB1-900	4	E07			
14431-PWB1-900	4	E03	15111-PWB1-900	1	E01			
14432-PWB1-900	3	E03	15112-PWB1-900	1	E01	17104-LFA5-E00	3	E03
14451-PWB1-900	4	E03	15131-PWB1-900	2	E04	1711A-LFA5-E00	1	E03
14510-PWB1-900	3	E04	15133-PWB1-900	3	E07	17200-LFA5-E00	0	F13
14531-PWB1-900	7	E04	15200-PWB1-900	2	E05	17206-PWB1-900	1	F13
14550-LBA2-E00	4	E04	1541A-PWB1-900	1	E01	17208-PWB1-900	0	F13
14553-LBA2-E00	1	E04	15420-PWB1-900	2	E01	17212-PWB1-900	0	F13
14554-KAM1-004	0	E04	15436-PWB1-900	2	E01	17214-PWB1-900	1	F13
14555-LBA2-E00	1	E04	15438-PWB1-900	2	E01	17215-PWB1-900	6	F13
14557-LBA2-E00	2	E04	15438-PWB1-900	2	E03	1721A-PWB1-900	2	F13
14558-LBA2-E00	2	E04	15439-PWB1-900	2	E01	17228-PWB1-900	2	F13
14559-LBA2-E00	1	E04	1565A-PWB1-900	4	E05	17230-PWB1-900	6	F13
14560-LBA2-E00	1	E04	15711-PWB1-900	1	E04	17231-PWB1-900	5	F13
14610-PWB1-900	2	E04	16000			17253-PWB1-900	4	F13
14711-PWB1-900	5	E03				17254-PWB1-900	5	F13
14721-PWB1-900	6	E03				17255-PWB1-900	1	F13
14751-PWB1-900	3	E03	16075-KG8-9010-M1	0	E11	17256-PWB1-900	1	F13

PART NO. INDEX

PART NO.	VERSION	PAGE	PART NO.	VERSION	PAGE	PART NO.	VERSION	PAGE
17257-PWB1-900	6	F13	1830A-LGN5-E00	4	F14	19028-PWB1-900	1	F22
17258-PWB1-900	0	F13	18310-LGN5-E00	4	F14	19029-PWB1-900	0	F22
17259-PWB1-900	0	F13	18312-LGN5-E00	0	F14	19031-PWB1-900	1	F22
17291-PWB1-900	1	F13	18317-PWB1-900	1	F14	19102-LGN5-E01	1	F05
17292-PWB1-900	1	F13	18318-PWB1-900	2	F14	19121-PWB1-900	2	F22
17369-KDB4-671	1	F23	18320-PWB1-E00	0	F14	19122-PWB1-900	0	F22
17500-LGN5-E00	0	F10	18328-LFA5-910	0	F14	19504-LBA2-E00	3	F22
17505-PWB1-900	0	F13	18329-PWB1-700	0	F14	19508-LEE8-E00	2	F22
17507-PWB1-900	3	F13	18339-PWB1-900	1	F14			
17508-PWB1-900	0	E03	18391-PWB1-900	1	F14	22000		
17522-PWB1-900	1	F10	18601-KBE2-900	4	E03			
17560-LGC7-E00	1	F12	18612-KFB5-900	1	E03	22102-PWB1-900	4	E06
1763A-LFA5-E00	3	F10	18618-LLF5-90A	2	F23	22105-PWB1-900	5	E06
17700-LGN5-E00	0	F05	18618-LLF5-90B	1	F23	22110-PWB1-900	4	E06
17910-LFA5-E00	2	F03	18645-LBA2-E00	1	E03	22121-PWB1-900	2	E06
18000			18646-GFY6-941	0	E03	22127-LDB5-E00	0	E06
			18647-LFA5-E00	3	E03	22128-PWB1-900	3	E06
			1880A-LFA5-E0A	1	F23	22131-PWB1-900	3	E06
18291-KEBE-900	0	F14	18812-LFA5-E00	1	F23	22132-PWB1-900	4	E06
18291-PWB1-900	2	F14	18813-LFA5-E00	1	F23	22402-PWB1-900	0	E06
18292-KEBE-900	0	F14	18814-LFA5-E00	2	F23	2261A-PWB1-900	5	E06
18293-KEBE-900	0	F14				2262A-PWB1-900	3	E06
18293-PWB1-900	4	F14	19000			22630-PWB1-900	0	E06
18294-KEBE-900	0	F14				22641-PWB1-900	2	E06
18305-PWB1-900	1	F14	19005-PWB1-900	1	F22	2266A-PWB1-900	5	E06
18306-LGN5-E00	0	F14	19020-PWB1-900	1	F22			

PART NO. INDEX

PART NO.	VERSION	PAGE	PART NO.	VERSION	PAGE	PART NO.	VERSION	PAGE	
23000			23481-PWB1-900	2	E08	24704-PWB1-900	2	F13	
			23510-PWB1-900	2	E08	24704-PWB1-900	2	F15	
			23511-PWB1-900	3	E08	24705-PWB1-900	3	F15	
	2301A-PWB1-900	9	E06	23512-PWB1-900	3	E08	24707-PWB1-900	4	F15
	23100-PWB1-900	1	E06	23518-PWB1-900	3	E08	24708-PWB1-900	1	F15
	23201-PWB1-900	4	E06	23519-PWB1-900	1	E10	2470A-LGN5-E00	0	F15
	23210-PWB1-900	2	E08	23521-PWB1-900	2	E08	24721-PWB1-900	2	F15
	23220-PWB1-900	6	E06				24722-PWB1-900	3	F15
	23223-PWB1-900	2	E06				24723-PWB1-900	3	F15
	23230-PWB1-900	2	E08				24781-LFA5-E00	0	F15
	23233-PWB1-900	2	E06	24000			2478A-LFA5-E00	2	F15
	23237-PWB1-900	2	E06	24080-PWB1-900	3	F15			
	23240-PWB1-900	5	E06	24221-PWB1-900	3	E08			
	23250-PWB1-900	6	E06	24241-PWB1-900	3	E08	28000		
	23252-PWB1-900	4	E06	24242-PWB1-900	5	E08			
	23256-PWB1-900	1	E06	24301-PWB1-900	4	E08	28101-PWB1-900	3	E07
	23411-PWB1-900	9	E08	24302-PWB1-900	4	E08	28102-PWB1-900	2	E07
	23421-PWB1-900	4	E08	24305-PWB1-900	1	E08	28110-PWB1-900	4	E07
	23425-PWB1-900	2	E08	24310-PWB1-900	4	E08	28112-PWB1-900	1	E07
	23430-PWB1-900	2	E10	24411-PWB1-900	5	E08	28113-PWB1-900	2	E07
	23431-PWB1-900	4	E10	24421-PWB1-900	1	E01	28120-PWB1-900	2	E07
23441-PWB1-900	6	E10	24430-PWB1-900	2	E08				
23451-PWB1-900	3	E08	24435-PWB1-900	1	E08	30000			
23471-PWB1-900	1	E08	24610-PWB1-900	2	E08				
23472-PWB1-900	2	E08	2461A-PWB1-900	2	E08	30400-PWB1-E00	1	F20	
23473-PWB1-900	1	E08	24702-LGN5-E00	0	F15	30401-PWB1-900	2	F20	
			24703-PWB1-900	3	F15	3051A-LGN5-E00	0	F20	

PART NO. INDEX

PART NO.	VERSION	PAGE	PART NO.	VERSION	PAGE	PART NO.	VERSION	PAGE
30700-PWB1-900	3	F20	33110-LGN5-E00	0	F01	34903-KPCP-900	0	F19
31000			33120-LGN5-E00	0	F01	34905-LBA7-E00	0	F18
			33130-LGN5-E00	0	F01	34905-LCA5-E00	0	F01
			33135-LGN5-E00	0	F01	34906-KPCP-900	0	F19
			33150-LGN5-E00	0	F01			
31110-PWB1-900	5	E07	33500-LGN5-E00	1	F18	35000		
31120-LFA5-E00	2	E07	33600-LGN5-E00	0	F18			
31210-PWB1-900	5	E07	33650-LGN5-E00	0	F18	35010-LFA5-E00	1	F20
31350-LDB5-E0A	2	E05	33700-LGN5-E00	2	F19	35107-PWB1-900	1	E07
31500-LBA2-90A	5	F11	33701-LGN5-E00	0	F19	35108-PWB1-900	1	E05
31500-LBA2-90B	3	F11	33706-GCN3-67A	0	F19	35111-KUDU-305-M2	0	F20
31600-PWB1-900	1	F20	33709-KBAB-003	0	F19	35111-KUDU-306-M2	0	F20
31605-PWB1-900	3	F05	33710-LGN5-E00	0	F19	35111-LFA5-305-M2	0	F20
3195A-LBA7-E00	1	F20	33715-LGN5-E00	0	F19	35111-LFA5-306-M2	0	F20
32000			33720-LCA5-E00	2	F19	3515A-LDB5-E00	3	F03
			33722-KHB4-E00	0	F19	3520A-LDB5-E00	1	F03
			33725-KHB4-E00	0	F19	35340-LDB5-900	0	F04
			33726-LCA5-E00	0	F19	35340-PWB1-E00	1	F15
32100-LGN5-E00	7	F20	33741-KHC5-M00	0	F19	35759-PWB1-900	5	E01
32161-4D04-001	2	F03	33750-LGN5-E00	2	F19	35850-LBA2-E00	1	F20
32410-LGN5-E00	2	E07	33751-LGN5-E00	0	F19			
32411-2C53-001	0	E07	34000			37000		
32411-LGN5-E00	4	F20				37119-LFA5-E00	0	F02
32412-LGN5-E00	5	E07				37200-LGN5-E00	0	F02
33000			34901-KGB5-M30	0	F01	37750-PWB1-900	6	E01
			34903-KPCP-900	0	F18			
33100-LGN5-E00	0	F01						

PART NO. INDEX

PART NO.	VERSION	PAGE	PART NO.	VERSION	PAGE	PART NO.	VERSION	PAGE
37760-PWB1-900	6	E01				42401-LFA5-900	1	E09
37801-LAB4-910	1	F10	41000			42401-LFA5-900	1	F17
3780A-LGN5-E00	0	F10				42401-LFA5-90B	0	E09
38000			41300-LGC3-900	2	F17	42401-LFA5-90B	0	F17
			41311-LFA5-900	3	F17	42402-LFA5-900	2	E09
			41431-LFA5-900	5	F17	42402-LFA5-900	2	F17
38110-LDB5-E00	1	F20	41435-LFA5-900	2	E09	42404-LFA5-900	2	E09
38200-PWB1-900	0	F20	41435-LFA5-900	2	F17	42404-LFA5-910	2	F17
38300-LEA5-E0A	1	F20	41436-LFA5-900	1	F17	42407-LFA5-900	1	E09
39000			41438-LFA5-900	2	F17	42407-LFA5-900	1	F17
			41439-LFA5-900	2	F17	42408-LFA5-900	5	E09
			41440-LFA5-900	2	F17	42409-LFA5-900	2	E09
39300-LFA5-E00	6	E09	41441-LFA5-900	2	F17	42410-LFA5-900	3	E09
40000			41442-LFA5-900	2	F17	42410-LFA5-900	3	F17
			41443-LFA5-900	2	F17	42413-LFA5-900	2	E09
			41444-LFA5-900	2	F17	42413-LFA5-900	2	F17
40201-PWB1-900	3	F22	41445-LFA5-900	2	F17	42414-LFA5-900	3	E09
40215-PWB1-900	1	E10				42415-LFA5-900	6	E09
40215-PWB1-900	1	F22	42000			42416-LFA5-900	2	E09
40401-PWB1-900	2	E10				42418-LFA5-900	1	E09
4040A-PWB1-900	3	E10	42200-LGC3-900	4	F08	42419-LFA5-900	1	E09
40502-PWB1-900	1	E10	42200-LGC3-900	4	F24	42419-LFA5-900	1	F17
40502-PWB1-900	1	F22	42208-PWB1-305	0	F24	42421-LFA5-900	1	E09
			42209-PWB1-305	0	F24	42422-LFA5-900	3	E09
			42216-PWB1-900	0	F24	42422-LFA5-900	3	F17
			42400-LGC3-900	4	E09	42423-LFA5-900	1	E09

PART NO. INDEX

PART NO.	VERSION	PAGE	PART NO.	VERSION	PAGE	PART NO.	VERSION	PAGE
42423-LFA5-900	1	F17	42460-LFA5-900	2	E09	43127-LFA5-E00	3	F04
42424-LFA5-900	2	E09	42460-LFA5-900	2	F17	43140-LEC1-E00	0	F08
42425-LFA5-900	8	E09	42461-LFA5-900	2	E09	43143-LEC1-E00	0	F08
42425-LFA5-910	8	F17	42461-LFA5-900	2	F17	43146-LEC1-E00	0	F08
42428-LFA5-900	1	E09	42462-LFA5-900	2	E09	43147-LEC1-E00	0	F08
42430-LFA5-900	4	E09	42462-LFA5-900	2	F17	43450-LFA5-E00	3	F04
42430-LFA5-910	9	F17	42463-LFA5-900	2	E09	43500-LHM2-E00	1	F15
42432-LFA5-900	7	E09	42463-LFA5-900	2	F17	43525-PWA1-900	0	F04
42442-LFA5-900	5	E09	42464-LFA5-900	2	E09	43526-PWA1-900	0	F04
42442-LFA5-900	5	F17	42464-LFA5-900	2	F17	43527-PWA1-900	0	F04
42446-LFA5-900	2	E09	42465-LFA5-900	2	E09	43528-PWA1-900	0	F04
42446-LFA5-900	2	F17	42465-LFA5-900	2	F17	43530-LFA5-306	0	F04
42448-LFA5-900	1	E09	42466-LFA5-900	2	E09	43600-LDB5-E00	3	F04
42448-LFA5-900	1	F17	42466-LFA5-900	2	F17			
42449-LFA5-900	2	E09	42467-LFA5-900	2	E09	44000		
42449-LFA5-900	2	F17	42467-LFA5-900	2	F17			
42449-LFA5-90B	0	E09	42705-LGN5-E00	0	F08	44200-LGC3-900	4	F07
42449-LFA5-90B	0	F17	4270A-LFA5-E00	2	F08	44200-LGC3-900	4	F24
42451-LFA5-900	3	E09	42710-LGN5-E0A	2	F08	44208-PWB1-305	0	F24
42451-LFA5-900	3	F17	42753-KNBN-90B	1	F07	44209-PWB1-305	0	F24
42453-LGC3-900	1	E09	42753-KNBN-90B	1	F08	44209-PWB1-900	0	F24
42453-LGC3-900	1	F17				44210-PWB1-900	0	F24
42454-LFA5-900	2	E09	43000			44211-PWB1-900	0	F24
42454-LFA5-910	2	F17				44213-PWB1-900	0	F24
42456-LFA5-900	5	E09	43100-LFA5-E00	2	F08	44214-PWB1-900	0	F24
42456-LFA5-900	5	F17	43110-LFA5-E00	0	F08	44215-PWB1-900	0	F24

PART NO. INDEX

PART NO.	VERSION	PAGE	PART NO.	VERSION	PAGE	PART NO.	VERSION	PAGE
44216-PWB1-900	0	F24	45127-LFA5-E00	5	F04			
44219-PWB1-900	0	F24	45127-LGN5-900	2	F04	46000		
44705-LGN5-E00	0	F07	45128-LFA5-E01	1	F04			
4470A-LFA5-E00	2	F07	45132-LBA7-900	1	F04	46500-LGN5-E00	2	F15
4470A-LFA5-E00	2	F08	45133-LEC1-E00	0	F08	46503-LFA5-E00	2	F15
44710-LGN5-E0A	1	F07	45200-PWB1-600	2	F07			
			45200-PWB1-600	2	F08	47000		
45000			45203-LEC1-E00	0	F08			
			45230-PWB1-305	0	F07	47400-PWB1-900	4	F06
45100-PWB1-600	2	F07	45230-PWB1-305	0	F08	47410-LGN5-E00	0	F07
45105-LFA5-305	0	F08	45232-LEC1-E00	0	F08	47410-LGN5-E00	0	F08
45105-PWB1-306	0	F07	45352-PWB1-305	0	F07	47450-PWB1-900	4	F16
45105-PWB1-306	0	F08	45352-PWB1-305	0	F08	47452-PWB1-900	2	F16
45107-LEC1-E00	0	F08	45513-KKC4-900	0	F04	47453-PWB1-900	2	F16
45107-PWB1-305	0	F07	45513-LEA7-E00	1	F04	47500-PWB1-900	4	F06
45107-PWB1-305	0	F08	45517-KFAF-910	0	F04	47550-PWB1-900	4	F16
45109-LEC1-E00	0	F08	45517-LDE9-E00	0	F04			
45110-PWB1-305	0	F07	45520-KKA8-900	0	F04	50000		
45110-PWB1-305	0	F08	45520-KKC4-900	0	F04			
45116-LEC1-E00	0	F08	45525-LBA7-900	0	F04	50100-LGN5-E00	7	F21
45117-LEC1-E00	0	F08	45526-LBA7-900	0	F04	50207-LGN5-E00	2	F11
45121-PWB1-900	2	F07	45527-LBA7-900	0	F04	50325-LGN5-E00	1	F11
45121-PWB1-900	2	F08	45530-LDB5-305	1	F04	50326-LGN5-E00	0	F11
45124-PWB1-E00	2	F04	45531-LEC1-E00	0	F08	50612-PWB1-900	2	F12
45125-LFA5-E00	6	F04				50613-LGN5-E00	1	F21
45126-LFA5-E00	5	F04				50614-LGN5-E00	1	F21

PART NO. INDEX

PART NO.	VERSION	PAGE	PART NO.	VERSION	PAGE	PART NO.	VERSION	PAGE
50616-LGN5-E00	4	F21	53000			53600-KKAK-325	0	F20
50617-LGN5-E00	4	F21				53700-LGC7-E00	1	F06
50618-LGN5-E00	1	F21				53700-PWB1-900	12	F06
50619-LGN5-E00	1	F21		53100-LGN5-E00	2	F03	53702-PWB1-900	4
51000			53102-LGN5-E00	1	F03	53703-PWB1-900	4	F06
			53104-PWB1-900	2	F03	54000		
			53105-PWB1-900	2	F03			
			53131-PWB1-900	1	F03			
51400-LGN5-E00	0	F06	53166-LGN5-E00	3	F03		54100-LGC7-E00	1
51400-LGN5-E01	1	F06	53175-LFA5-305	0	F04	54400-PWB1-E00	2	F16
51406-LGN5-E00	1	F21	53178-PWA1-900	0	F04	54450-LGN5-E00	3	F16
52000			53190-LDE9-E00	0	F04	54500-PWB1-E00	2	F16
			53192-LDE9-E00	0	F04	54550-LGN5-E00	3	F16
			53193-LDE9-E00	0	F04	54600-LGN5-E00	3	F16
	52101-PWB1-900	1	F22	53194-LDE9-E00	0	F04	54601-LFE9-E00	1
52102-PWB1-900	1	E10	53200-LGC7-E00	2	F06	54602-LFE9-E00	1	F16
52103-PWB1-900	2	F06	53205-LGN5-E00	0	F03	54610-LFE9-E00	1	F16
52103-PWB1-900	2	F16	53250-PWB1-900	1	F06	54620-LFE9-E00	1	F16
52104-PWB1-900	2	F06	53251-LGN5-E00	1	F06	60000		
52104-PWB1-900	2	F16	53254-LBA7-900	3	F06			
52108-PWB1-900	3	F06	53261-PWB1-900	3	F06			
52108-PWB1-900	3	F16	53400-LGN5-E00	5	F06		60100-LGN5-E00	2
52144-PWB1-900	2	F06	53410-PRB1-900	4	F06	60102-PWB1-900	1	F05
52144-PWB1-900	2	F16	53450-LGN5-E00	7	F06	60102-PWB1-900	1	F12
52400-LGN5-E00	0	F16	53500-LGN5-E00	5	F06	60130-PWB1-910	1	F05
			53550-LGN5-E00	7	F06	60140-PWB1-E01	1	F05

PART NO. INDEX

PART NO.	VERSION	PAGE	PART NO.	VERSION	PAGE	PART NO.	VERSION	PAGE	
60150-LFA5-E01	1	F05	80122-LGN5-E01	1	F12	86000			
64000			80123-LGN5-E01	1	F12				
			80130-PWB1-E00	2	F12				
			80300-LGN5-E01	1	F12		86102-LDB5-900	2	F26
64300-PWB1-910	1	F05	80305-LGN5-900	2	F12		86102-LDB5-900	3	F26
64301-LGN5-Y00	3	F05	80306-LGN5-900	2	F12		86302-LFA5-E00	2	F15
64303-LGN5-E00	4	F05	80307-LGN5-E01	1	F12		86523-LGN5-E60	2	F26
64304-LGN5-E01	1	F05	80308-LGN5-E01	1	F12		86533-LGN5-E60	2	F26
64313-LGN5-E00	4	F05	80330-LGN5-E01	1	F12		86543-LGN5-E60	5	F26
64330-LFE9-E00	2	F05	80340-LGN5-E01	1	F12		86553-LGN5-E60	5	F26
64340-LFE9-E01	1	F05				86623-LGN5-E60	3	F26	
77000			81000			86633-LGN5-E60	3	F26	
						86643-LGN5-E60	6	F26	
			81200-LGN5-E00	6	F21	86653-LGN5-E60	6	F26	
						86663-LGN5-E60	3	F26	
77200-LGN5-E00	6	F09	83000			86673-LGN5-E60	3	F26	
77202-LGN5-E00	3	F09							
77206-KGBG-900	0	F09							
77206-LGN5-E00	1	F09	83500-LGN5-E00	1	F12	87000			
77206-PWB1-900	1	F05	83510-LGN5-Y00	3	F12				
77303-KFA6-900	1	F09	83600-LGN5-E00	1	F12	87322-LBA7-E00	3	F25	
77305-KFA6-900	0	F09	83610-LGN5-Y00	3	F12	87503-LGN5-900	1	F26	
80000			83620-LFA5-E00	0	F21	87503-LGN5-910	1	F26	
			85000			87505-LGN5-E01	1	F25	
						87514-LGN5-E02	1	F25	
						87515-LDB5-E01	2	F25	
80100-LGN5-E00	4	F12	85100-LGN5-E00	4	F21	87517-LDB5-E00	2	F25	
80121-LGN5-E01	1	F12							

PART NO. INDEX

PART NO.	VERSION	PAGE	PART NO.	VERSION	PAGE	PART NO.	VERSION	PAGE
87701-LGN5-E60	2	F26	90084-PWB1-900	4	E05	90301-LGN5-E00	1	F08
87702-LGN5-E60	2	F26	90106-PWB1-900	1	F07	90302-GBR2-001	1	F10
87703-LGN5-E60	2	F26	90106-PWB1-900	1	F08	90302-LLB1-E00	2	F13
87704-LGN5-E60	2	F26	90110-KEBE-900	0	F14	90302-PWA1-900	2	F11
87705-LGN5-E60	3	F26	90110-PWA2-900	2	F03	90302-PWA1-900	2	F12
87706-LGN5-E60	3	F26	90110-PWA2-900	2	F05	90304-GLW0-90A	1	F06
			90110-PWA2-900	2	F12	90304-GLW0-90A	1	F16
88000			90111-PWB1-900	3	F15	90304-GLW0-90A	1	F21
			90112-KNBN-901	1	F11	90309-GLW0-90A	1	F13
88110-LDF3-E01	1	F03	90112-KRDR-900	1	E01	90322-PWB1-900	3	E08
88120-LDF3-E01	1	F03	90112-KRDR-900	1	F20	90342-PWB1-900	3	E10
			90113-KKA8-900	0	F04	90403-LFA5-900	2	F17
89000			90114-1F66-007	2	F04	90421-LBA2-E00	1	E04
			90131-LDB5-E00	1	F07	90431-PWB1-900	2	E05
89010-LGN5-E00	1	F09	90131-LDB5-E00	1	F08	90435-HCB3-001	0	E08
89020-KKC4-900	1	F09	90131-LFA5-E00	1	F08	90441-LBA2-E00	1	E10
			90145-MKS9-61A	1	F04	90443-KKE5-E00	1	E10
90000			90164-0H28-900	2	F20	90446-PWB1-900	2	E08
			90185-PWB1-900	2	F03	90451-LBA7-900	1	E08
90012-3C33-001	1	E03	90202-PWB1-900	2	E08	90452-LBA7-900	1	E08
90031-PWB1-900	5	E03	90203-PWB1-900	2	E10	90453-1G07-001	0	E08
90032-PWB1-900	5	E03	90204-PWB1-910	1	E10	90454-KED9-900	1	E08
90036-PWB1-900	5	E01	90205-LDB5-E00	3	E04	90455-LBA7-900	1	E08
90071-MLB0-001	0	E07	90206-0A01-001	2	E03	90459-PWB1-900	3	E08
90081-PWB1-900	2	E01	90301-6D34-671	1	F15	90461-PWB1-900	3	E03
90084-KKE5-E00	5	E03	90301-LGN5-E00	1	F07	90461-PWB1-900	3	E05

PART NO. INDEX

PART NO.	VERSION	PAGE	PART NO.	VERSION	PAGE	PART NO.	VERSION	PAGE
90474-1G47-001	0	E07						
90474-3C33-001	1	E02	91000			92000		
90474-3C33-001	1	E05						
90474-7D04-000	0	E08	91002-KGBG-90B	0	E01	92101-05012-0G	0	E05
90481-0E35-001	0	E04	91002-PWB1-90A	1	E01	92101-05012-0G	0	E07
90501-3L10-001	0	F15	91003-PWB1-900	0	E01	92101-06012-0HN	0	E03
90505-4E25-001	0	F13	91004-PWB1-90D	1	E02	92101-PWB1-900	1	F10
90545-3L00-001	2	F04	91021-LDB5-E00	2	E06	92712-06028-0B	2	E03
90545-3L00-001	2	F15	91021-PWB1-90B	1	E08	92900-06040-0E	2	E01
90561-PWB1-900	3	E03	91104-PWB1-90A	1	E07	92900-08046-0B	0	E03
90562-PWB1-900	1	E05	91201-PWB1-90C	2	E02			
90601-PWB1-900	2	E06	91202-PWB1-900	1	E01	93000		
90605-1F66-721	0	E06	91206-PWB1-900	4	E04			
90652-LCA4-E00	1	F05	91209-PWB1-900	2	E05	93403-05012-06	0	E01
90652-LCA4-E00	1	F12	91251-PWB1-900	2	E01	93403-PWB1-900	1	F14
90652-LDB5-900	3	F05	91256-PWB1-900	3	E10	93404-06012-06	0	F05
90652-LDB5-900	3	F12	91257-PWB1-900	2	E05	93404-06016-06	0	F01
90652-LDB5-900	3	F21	91302-PWB1-900	1	E04	93404-06016-06	0	F05
90652-PWB1-900	1	F05	91303-PWB1-900	1	E03	93404-06016-06	0	F12
90652-PWB1-900	1	F15	91304-PWB1-900	1	E06	93404-06016-06	0	F22
90656-KCBC-900	0	F19	91306-PWB1-900	1	E03	93404-06020-06	1	F12
90656-KCBC-900	0	F20	91307-0E35-001	0	E05	93500-04008-1H-3	0	E11
90677-GAR1-004	1	F11	91307-PWB1-900	1	F21	93500-04010-06	0	F10
90677-GAR1-004	1	F12	91309-4E25-004	0	E07	93500-04014-1H-3	0	E11
90701-LDB5-E00	4	E04	91313-KED9-900	3	E05	93500-06025-0FN	0	E07
90912-KFLF-00A	0	E02	91508-KGV7-67A	0	F19	93500-PWB1-900	2	E01

PART NO. INDEX

PART NO.	VERSION	PAGE	PART NO.	VERSION	PAGE	PART NO.	VERSION	PAGE
93500-PWB1-900	2	E02	94005-PWB1-900	2	F17	94102-PWB1-900	1	F15
93600-04012-1G	0	F04	94006-PWB1-900	2	F17	94103-06800	0	F12
93600-LDE9-E00	0	F04	94011-LKA8-E00	1	F06	94103-08800	0	F15
93600-LEC1-E00	0	F08	94011-PWB1-900	1	F07	94201-20120	0	F15
93600-PWB1-900	2	E01	94011-PWB1-900	1	F08	94201-25250	0	F06
93600-PWB1-900	2	E05	94050-05060	0	F18	94201-30400	0	F07
93890-LDB5-E00	0	F09	94050-05060	0	F19	94201-30400	0	F08
93892-04008-16	0	E11	94050-06060	0	F04	94301-08060	0	F08
93903-34360	0	F05	94050-06060	0	F15	94301-08100	1	E01
93903-34360	0	F12	94050-06060	0	F22	94301-08140	0	E03
93903-34360	0	F18	94050-06080	0	E03	94301-12200	1	E01
93903-34360	0	F19	94050-06080	0	E04	94301-12200	1	E02
93903-35360	0	F02	94050-06080	0	E08	94301-12200	1	E05
93903-35360	0	F19	94050-06080	0	F20	94301-13220	0	E04
93903-45360	0	F22	94050-08060	0	F21	94302-06025	0	E06
93903-PWB1-900	1	F05	94050-08080	0	E04	94302-KKE5-E00	1	E01
			94050-10080	0	E04	94303-04065	0	E04
94000			94050-LDE9-E00	1	F12	94303-04160	0	E07
			94050-PWA2-900	1	F05	94305-03161	0	E06
94001-10080-0S	0	F15	94050-PWA2-900	1	F10	94401-16150	0	E04
94001-LLB1-900	2	F15	94050-PWA2-900	1	F12	94402-PWB1-900	1	E06
94001-PWB1-700	0	F06	94052-PWB1-900	5	E06	94510-10000	0	E07
94001-PWB1-800	0	F06	94101-06700	0	F14	94510-12000	0	E08
94001-PWB1-900	4	E06	94101-08600	0	F03	94510-25000	0	E08
94002-PWB1-900	3	E06	94101-PWB1-900	1	F06	94510-35150	0	E06
94005-PWB1-900	2	E09	94102-08000	5	F15	94510-PWB1-900	0	F06

PART NO. INDEX

PART NO.	VERSION	PAGE	PART NO.	VERSION	PAGE	PART NO.	VERSION	PAGE
94520-12100	0	E05	95008-PWB1-900	5	E09	95701-08020-06	1	F14
94520-32180	0	E02	95111-PWB1-900	1	E10	95701-08020-06	1	F22
94520-55000	0	F06	95111-PWB1-900	1	F22	95701-08040-06	0	E09
94520-55000	0	F16	95112-PWB1-900	1	F22	95701-08040-06	0	F17
94540-06012	0	F15	95601-PWB1-900	2	E08	95701-08050-06	0	E01
94591-27000	0	F05	95701-06012-06	1	F04	95701-08060-06	0	E01
94601-PWB1-900	1	E04	95701-06012-06	1	F11	95701-08085-06	0	E01
94611-PWB1-900	1	E08	95701-06012-06	1	F14	95701-08140-06	0	E05
94621-PWB1-900	1	E10	95701-06012-06	1	F20	95701-10020-06	0	F06
			95701-06015-08	0	E09	95701-LEC1-E00	0	F08
95000			95701-06016-06	1	F20	95701-PWB1-900	4	E04
			95701-06022-06	1	F15	95801-08055-06	0	F03
95002-02070	0	E03	95701-06025-06	2	E04	95801-08060-06	0	F06
95002-02070	0	F23	95701-06025-06	2	E08	95801-10030-06	0	F06
95002-02090	0	E09	95701-06035-06	1	E03	95801-10040-06	0	F06
95002-02100	0	F17	95701-06040-06	0	F04	95801-10040-06	0	F16
95002-40950-08	0	E09	95701-06050-06	0	E03	95801-10065-06	0	F16
95002-40950-08	0	F10	95701-08012-06	0	E02	95801-10085-06	1	F06
95002-40950-08	0	F17	95701-08012-06	0	E05	95801-10085-06	1	F16
95002-41250-00	0	F13	95701-08012-06	0	F15	95801-10095-06	0	F16
95002-KED9-M30	1	F13	95701-08012-06	0	F21	95801-10110-06	0	F21
95002-KKD6-E05	0	E01	95701-08016-06	0	F15	95801-10185-06	0	F21
95002-KKD6-E05	0	F23	95701-08016-06	0	F16	95802-PWB1-900	2	F06
95005-PWB1-900	1	E09	95701-08016-06	0	F21	95802-PWB1-900	2	F16
95005-PWB1-900	1	F17	95701-08020-06	1	E10			
95007-LFA5-900	2	F17	95701-08020-06	1	F06			

PART NO. INDEX

PART NO.	VERSION	PAGE	PART NO.	VERSION	PAGE	PART NO.	VERSION	PAGE	
96000			96001-06110-06	1	E03	98200-33000	0	F20	
			96001-08016-08	0	F14	98200-41000	0	F20	
			96001-08050-08	0	F13	98200-41500	0	F20	
	96001-06008-07	0	F14	96100-60080-00	0	F17			
	96001-06016-06	0	E05	96100-62040-00	0	E01	99000		
	96001-06018-06	0	E01	96100-62050-00	2	E01			
	96001-06018-06	0	E05	96100-62070-00	0	E01	99101-393-0750	0	E11
	96001-06020-06	0	E03	96100-63040-00	1	E01	99101-393-1200	0	E11
	96001-06020-06	0	F15	96100-63040-00	1	E05			
	96001-06022-06	1	F04	96100-63050-00	0	E09	E		
	96001-06025-06	0	E01	96100-63050-00	0	F17			
	96001-06025-06	0	E03	96110-PWB1-900	1	E10	E040-3106	0	E04
	96001-06028-08N	0	E07	96120-60080-10	0	E09			
	96001-06030-06	0	E03	96120-PWB1-900	1	E01	K		
	96001-06032-06N	0	E07	96130-PWB1-900	1	E10			
	96001-06035-06	0	E02	96140-PWB1-900	1	E10	K350-186-0100-3	0	E11
	96001-06035-06	0	E03	96150-PWB1-900	1	E05	K362-186-0100	0	E11
	96001-06040-06	12	E02	96151-PWB1-900	2	F06			
	96001-06040-06	12	E03	96151-PWB1-900	2	F16	N		
	96001-06040-06	12	E05	96220-40080	0	E08			
96001-06045-06	0	E01	96220-60100	0	E05	N114-04103	0	E11	
96001-06045-06	0	E05	96600-LDB5-E00	2	E07	N413-03C00	0	E11	
96001-06050-06	0	E05				N424-25B38	0	E11	
96001-06055-06	0	E03	98000			N425-AZG00	0	E11	
96001-06070-06	0	E01				N426-01A40	0	E11	
96001-06080-06	1	E02	98059-58916-00	2	E03	N446-02C00	0	E11	

PART NO. INDEX

PART NO.	VERSION	PAGE	PART NO.	VERSION	PAGE	PART NO.	VERSION	PAGE
W								
W9353-36000	0	E11						
W9451-03212	0	E11						
W9525-25250	0	E11						

