

# PARTS CATALOGUE



ATV

LB70AA(CL)

MAXXER 375 OFF ROAD



Release Date : 2014/04/28  
Print Date : 2015/02/13

## ABOUT THIS PARTS LIST

- This parts list is compiled all service parts for model LB70AA(CL).
- Any difference between color chart and motorcycle will be revised according to motorcycle.
- The Mark:
  1. Marking "\*\*\*" must add color code in the end before ordering parts.
  2. Marking "#" are parts with modification, Please find the details from e-Parts system.
- When modification or additions to this parts list are made a revised edition at an appropriate time.



# CONTENTS

● ABOUT THIS PARTS LIST .....	1
● COLOR CHART OF LB70AA(CL) .....	3
● CONTENTS-ENGINE GROUP .....	7
● CONTENTS-FRAME GROUP .....	9
● ENGINE PARTS LIST .....	12
● FRAME PARTS LIST .....	66
● PART NO. INDEX .....	142

NO	MODEL			COLOR CHART OF LB70AA(CL)			
	PHOTO NO			NO. 1	NO. 2	NO. 3	NO. 4
	BASIC COLOR			Deep Blue	Sunbeam Red	White	Black
	CODE			Deep Blue	Sunbeam Red	White	Black
	PARTS NAME	PARTS NO.	VERSION	PB246SA	RR342SA	NH195SA	NH001SA
1	TAIL CAP MUFFLER	18306-LGN5-E00	0	HZF			
2	MUFFLER ASSY	1830A-LGN5-900	0				
3	COVER R GRILLE	64303-LGN5-E00	4				
4	COVER L GRILLE	64313-LGN5-E00	4				
5	BUMPER FRONT	85100-LGN5-E00	4				
6	LEVER L STRG HANDLE	53178-KFC8-E10	0				
7	LEVER COMP BRAKE	46500-LGN5-E00	2	MAS			
8	A-ARM. FRONT-UPPER-	53400-LGN5-E00	5	MBS			
9	A-ARM ASSY FRONT	53450-LGN5-E00	7				
10	A-ARM FRONT-UPPER-	53500-LGN5-E00	5				
11	A-ARM ASSY FRONT	53550-LGN5-E00	7				
12	CONTROL ARM RH/LH	54400-PWB1-E00	2				
13	A-ARM RH/LH LWR	54450-LGN5-E00	3				
14	CONTROL ARM RH/LH	54500-PWB1-E00	2				
15	A-ARM RH/LH LWR	54550-LGN5-E00	3				
16	COVER TANK	17700-LGN5-E00	0	CHR                      EER                      HGR                      N1R			
17	COVER HANDLE	53205-LGN5-E00	0				
18	FENDER FRONT	60100-LGN5-E00	2				
19	FENDER REAR	80100-LGN5-E00	4				
20	COVER A R SIDE	83500-LGN5-E00	1				
21	COVER A L SIDE	83600-LGN5-E00	1				
22	SHIELD HEAT	17560-LGC7-E00	1	N1R			
23	DUCT.COOLING AIR	19102-LGN5-E01	1				
24	TRAY ELECTRICAL	31605-PWB1-900	3				
25	CASE BATTERY	50325-LGN5-E00	1				
DATE OF STARTING-SALES							
DATE OF END-SALES							

NO	MODEL			COLOR CHART OF LB70AA(CL)							
	PHOTO NO			NO. 1	NO. 2	NO. 3	NO. 4				
	BASIC COLOR			Deep Blue	Sunbeam Red	White	Black				
	CODE			Deep Blue	Sunbeam Red	White	Black				
	PARTS NAME	PARTS NO.	VERSION	PB246SA	RR342SA	NH195SA	NH001SA				
26	COVER BATTERY	50326-LGN5-E00	0	N1R							
27	PROTECTOR.R HANDLE	53207-LGN5-E00	3								
28	PROTECTOR.L HANDLE	53208-LGN5-E00	3								
29	PANEL SPLASH-RIGHT	60130-PWB1-910	1								
30	PANEL SPLASH-LEFT	60140-PWB1-910	1								
31	COVER WATERPROOF	60150-LFA5-E01	1								
32	PLATE SKID	64300-PWB1-910	1								
33	GRILL FRONT	64304-LGN5-E01	1								
34	GUARD R BOOT	64330-LFE9-E01	1								
35	GUARD L BOOT	64340-LFE9-E01	1								
36	MUDGUARD R FLOOR	80121-LGN5-E01	1								
37	MUDGUARD L FLOOR	80122-LGN5-E01	1								
38	MUDGUARD FR R	80123-LGN5-E01	1								
39	SHIELD REAR	80130-PWB1-E00	2								
40	COVER GEARBOX	80300-LGN5-E01	1								
41	GUARD COVER R TAIL	80305-LGN5-900	2								
42	GUARD COVER L TAIL	80306-LGN5-900	2								
43	COVER.R TAIL LIGHT	80307-LGN5-E01	1								
44	COVER.L TAIL LIGHT	80308-LGN5-E01	1								
45	GUARD R RR BOOT	80330-LGN5-E01	1								
46	GUARD L RR BOOT	80340-LGN5-E01	1								
47	COVER FRONT	64301-LGN5-Y00	3					T01			
48	COVER B R SIDE	83510-LGN5-Y00	3								
49	COVER B L SIDE	83610-LGN5-Y00	3								
50	STRIPE K-LOGO 28.5MM	86102-LDB5-900	3								
DATE OF STARTING-SALES											
DATE OF END-SALES											

NO	MODEL			COLOR CHART OF LB70AA(CL)			
	PHOTO NO			NO. 1	NO. 2	NO. 3	NO. 4
	BASIC COLOR			Deep Blue	Sunbeam Red	White	Black
	CODE			Deep Blue	Sunbeam Red	White	Black
	PARTS NAME	PARTS NO.	VERSION	PB246SA	RR342SA	NH195SA	NH001SA
51	EMB GEAR REVERAL	86302-LFA5-E00	2	T01			
52	CAUTION SHIFIT GEARS	87322-LBA7-E00	3				
53	LABEL TIRE OFF ROAD	87505-LGN5-M35	1				
54	WARNING MAXIMUM	87514-LFA5-E00	2				
55	WARNING GENERAL	87515-PWB1-M35	3				
56	WARNING AGE-16	87517-PWB1-M35	1				
57	WARNING DOUBLE	87560-PWB1-M35	1				
58	DECAL DIAMOND	87701-LGN5-E60	2				
59	DECAL DIAMOND	87702-LGN5-E60	2				
60	DECAL DIAMOND	87703-LGN5-E60	2				
61	DECAL DIAMOND	87704-LGN5-E60	2				
62	DECAL DIAMOND	87705-LGN5-E60	3				
63	DECAL DIAMOND	87706-LGN5-E60	3				
64	SEAT ASSY(E013-8DO-	77200-LGN5-900	1				
65	STRIPE KYMCO-125mm	87503-LGN5-900	1	T03	T01	T02	T03
66	STRIPE R FUEL TANK	86223-LGN5-M30	0	T03			
67	STRIPE L FUEL TANK	86233-LGN5-M30	0				
68	STRIPE R FENDER	86523-LGN5-M30	1				
69	STRIPE L FENDER	86533-LGN5-M30	1				
70	STRIPE B R FENDER	86543-LGN5-E60	5	T04			
71	STRIPE B L FENDER	86553-LGN5-E60	5				
72	STRIPE R FENDER	86623-LGN5-E60	3				
73	STRIPE L FENDER	86633-LGN5-E60	3				
74	STRIPE B R FENDER	86643-LGN5-E60	6				
75	STRIPE B L FENDER	86653-LGN5-E60	6				
DATE OF STARTING-SALES							
DATE OF END-SALES							

NO	MODEL			COLOR CHART OF LB70AA(CL)			
	PHOTO NO			NO. 1	NO. 2	NO. 3	NO. 4
	BASIC COLOR			Deep Blue	Sunbeam Red	White	Black
	CODE			Deep Blue	Sunbeam Red	White	Black
	PARTS NAME	PARTS NO.	VERSION	PB246SA	RR342SA	NH195SA	NH001SA
76	STRIPE C R FENDER	86663-LGN5-E60	3	T04	T01	T07	T05
77	STRIPE C L FENDER	86673-LGN5-E60	3				
78	CUSHION ASSY FR	51400-LGN5-E00	0				
79	CUSHION ASSY. FR	51400-LGN5-E01	1				
80	CUSHION ASSY RR	52400-LGN5-E00	0				
DATE OF STARTING-SALES							
DATE OF END-SALES							

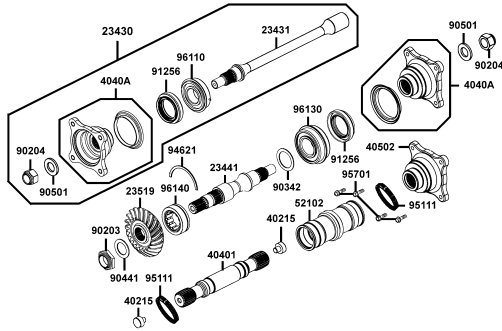
# CONTENTS - ENGINE GROUP

<b>E01</b> Right Crank Case	<b>E02</b> Cover Right Crank Case	<b>E03</b> Cylinder Head Cover    Cylinder
<b>E04</b> Cylinder Piston Crankshaft	<b>E05</b> Cover Left Crank Case	<b>E06</b> Drive Pulley
<b>E07</b> Starting Motor Generator	<b>E08</b> Clutch Assy Primary	<b>E09</b> Gear Case Front

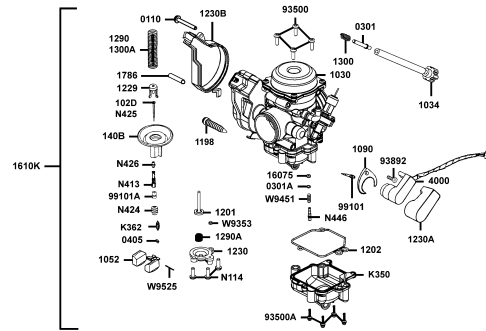


## CONTENTS - ENGINE GROUP

### E10 Shaft Drive Front



### E11 Carburetor

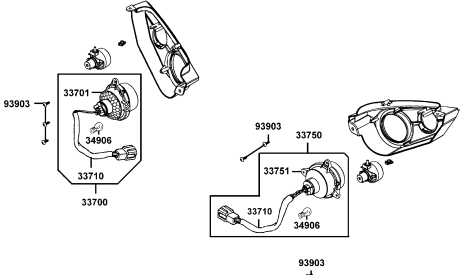
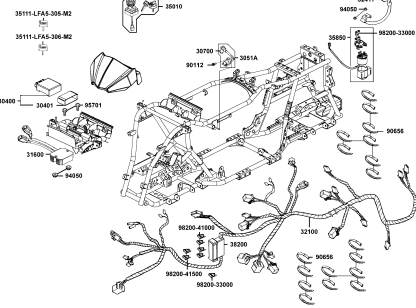
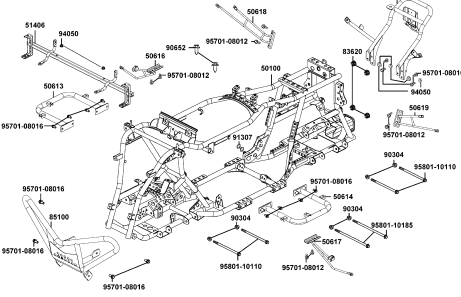
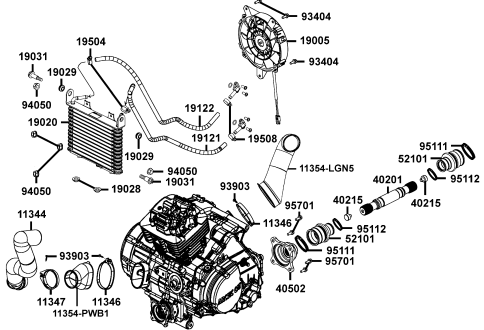
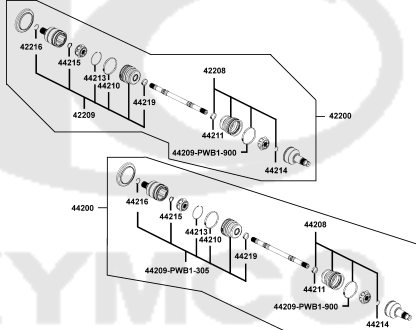
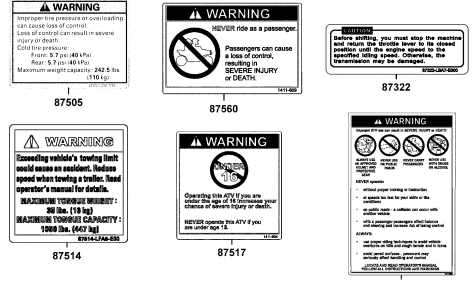
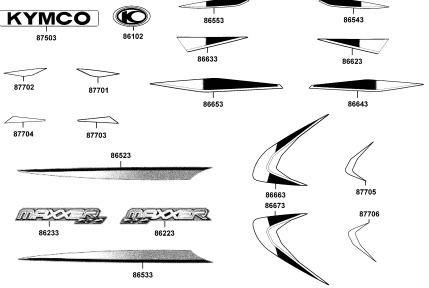




# CONTENTS - FRAME GROUP

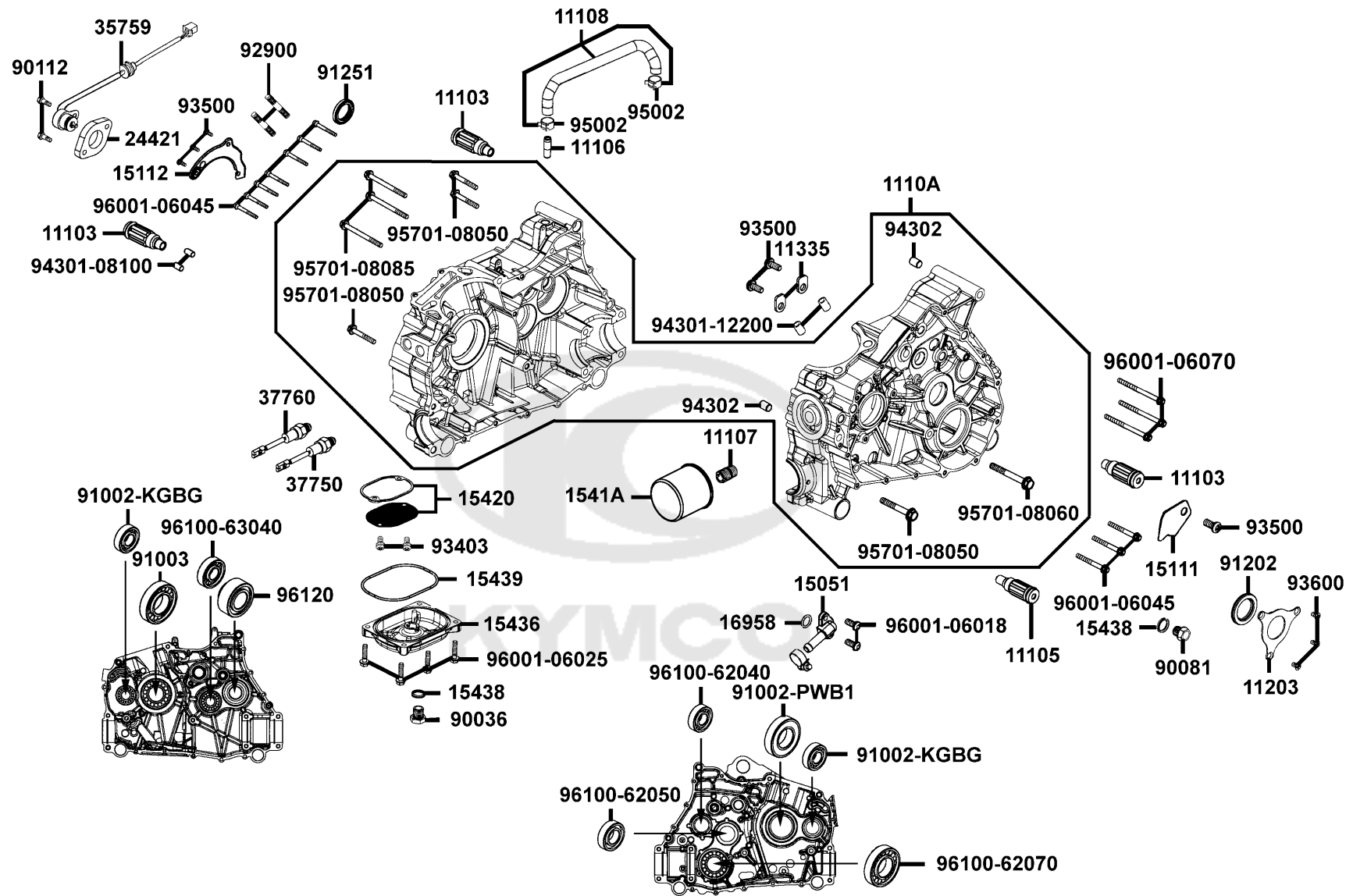
<p><b>F10 Fuel Tank</b></p>	<p><b>F11 Battery</b></p>	<p><b>F12 Fender Rear Mudguard Floor</b></p>
<p><b>F13 Air Box Cyclonic</b></p>	<p><b>F14 Exhaust Muffler</b></p>	<p><b>F15 Fwd / Rev Shift Assy Master</b></p>
<p><b>F16 Control Arm Assy</b></p>	<p><b>F17 Control Arm Assy</b></p>	<p><b>F18 Winker Assy Fr</b></p>

# CONTENTS - FRAME GROUP

<p><b>F19 Light Tail</b></p> 	<p><b>F20 Harness Wire</b></p> 	<p><b>F21 Frame Body</b></p> 
<p><b>F22 Cooler Oil</b></p> 	<p><b>F23 Separated Parts Of Halfshaft</b></p> 	<p><b>F24 Caution Label</b></p> 
<p><b>F25 Emblem Stripe</b></p> 		

E01

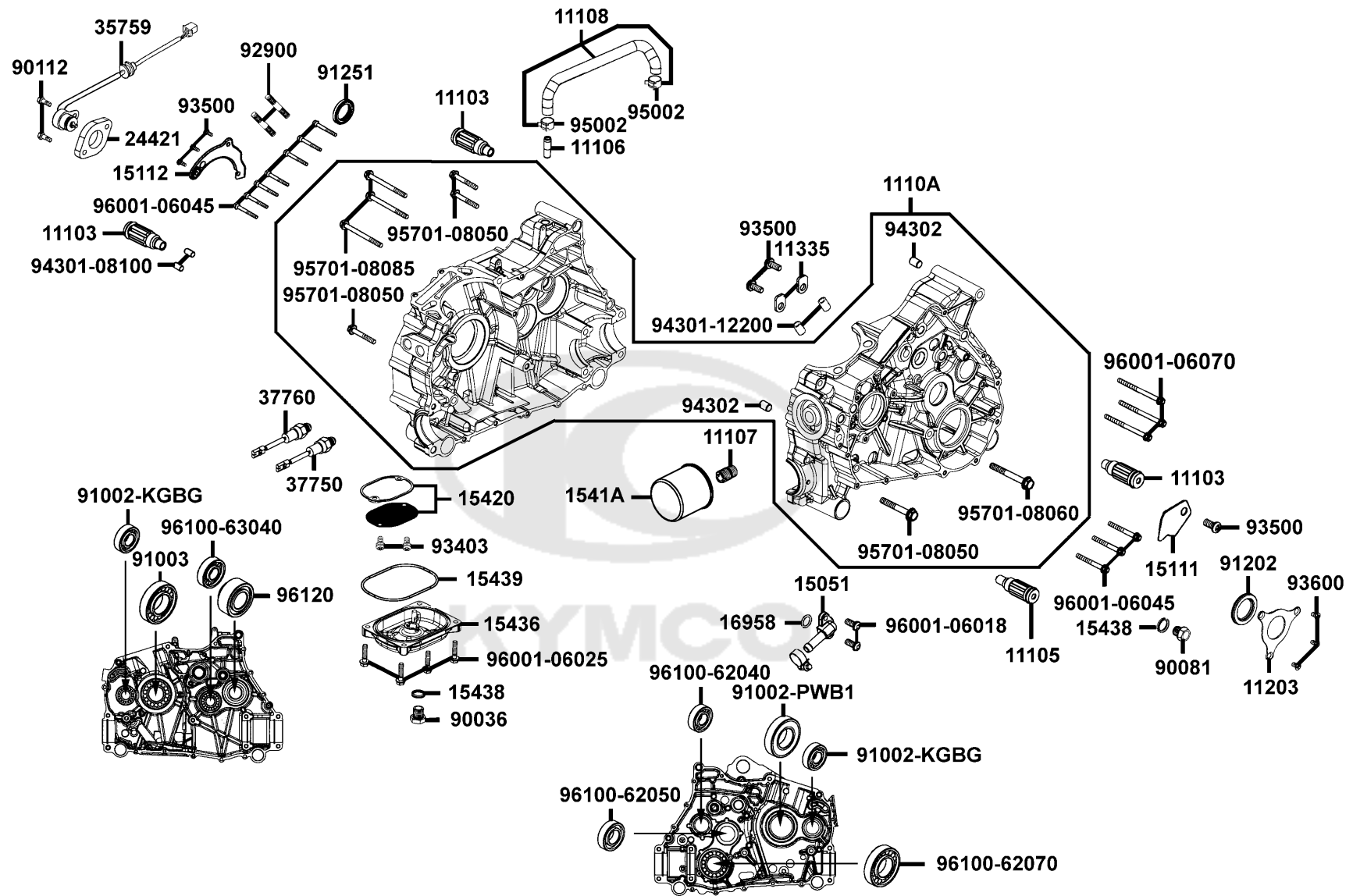
# Right Crank Case



Sales mark	Ref no	Part no	Description	Reg description	Regd no	E01
	11103	11103-PWB1-900	BUSH ENG HANGER	BUSH ENG HANGER	3	
	11105	11105-PWB1-900	LONG RUB BUSH ENG HANGER	LONG RUB BUSH ENG HANGER	1	
	11106	11106-PWB1-900	PIPE BREATHER	PIPE BREATHER	1	
	11107	11107-PWB1-900	PIPE OIL	PIPE OIL	1	
	11108	11108-PWB1-900	HOSE CRANK CASE VENT	HOSE CRANK CASE VENT	1	
	1110A	1110A-PWB1-900	CASE R/L ASSY	CASE R/L ASSY	1	
	11203	11203-PWB1-900	RETAINER CRANKSHAFT OIL SEAL	RETAINER CRANKSHAFT OIL SEAL	1	
	11335	11335-PWB1-900	RETAINER BEARING	RETAINER BEARING	2	
	15051	15051-PWB1-900	FITTING OIL	FITTING OIL	1	
	15111	15111-PWB1-900	PLATE OIL GUIDE LEFT	PLATE OIL GUIDE LEFT	1	
	15112	15112-PWB1-900	PLATE OIL GUIDE RIGHT	PLATE OIL GUIDE RIGHT	1	
	1541A	1541A-PWB1-900	ELEMENT COMP OIL FILTER	ELEMENT COMP OIL FILTER	1	
	15420	15420-PWB1-900	STRAINER OIL	STRAINER OIL	1	
	15436	15436-PWB1-900	CAP OIL STRAINER	CAP OIL STRAINER	1	
	15438	15438-PWB1-900	GASKET METAL COMPRESSION	GASKET METAL COMPRESSION	2	
	15439	15439-PWB1-900	GASKET MOLDED-OIL STRAINER CAP	GASKET MOLDED-OIL STRAINER CAP	1	
	16958	16958-KHB4-900	O-RING 10.77x2.62	O-RING 10.77x2.62	1	
	24421	24421-PWB1-900	SPACER SHIFT SENSOR	SPACER SHIFT SENSOR	1	
	35759	35759-PWB1-900	SW ASSY GEAR CHANGE	SW ASSY GEAR CHANGE	1	
	37750	37750-PWB1-900	THERMO UNIT ASSY	THERMO UNIT ASSY	1	

E01

# Right Crank Case

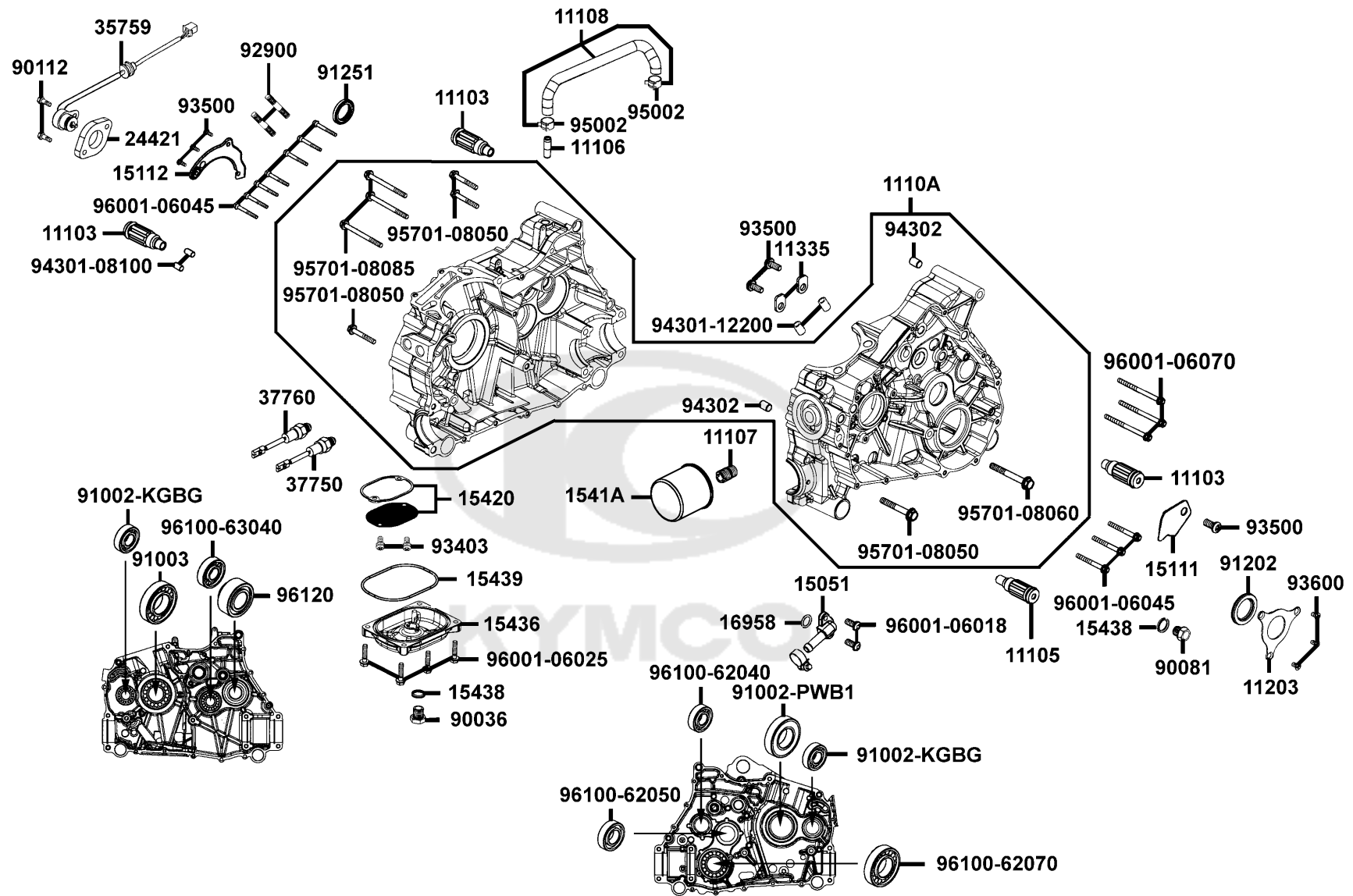


Sales mark	Ref no	Part no	Description	Reg description	Regd no	E01
	37760	37760-PWB1-900	SW ASS'Y THERMO	SW ASS'Y THERMO	1	
	90036	90036-PWB1-900	BOLT ASSY DRAIN PLUG	BOLT ASSY DRAIN PLUG	1	
	90081	90081-PWB1-900	PLUG CASE 12X14	PLUG CASE 12X14	1	
	90112	90112-KRDR-900	BOLT FLANGE 5*22	BOLT FLANGE 5*22	2	
	91002-KGBG	91002-KGBG-90B	BRG BALL RADIAL TMB204	BRG BALL RADIAL TMB204	2	
	91002-PWB1	91002-PWB1-90A	BRG BALL RADIL 6207LUAC3	BRG BALL RADIL 6207LUAC3	1	
	91003	91003-PWB1-900	BRG RADIAL BALL 6207-9C3	BRG RADIAL BALL 6207-9C3	1	
	91202	91202-PWB1-900	OIL SEAL 34X52X6	OIL SEAL 34X52X6	1	
	91251	91251-PWB1-900	OIL SEAL 30X44X7	OIL SEAL 30X44X7	1	
	92900	92900-06040-0E	BOLT STUD 6*40	BOLT STUD 6*40	2	
#	93403	93403-05012-06	BOLT-WASH 5X12	BOLT-WASH 5X12	1	
	93500	93500-PWB1-900	SCREW PAN 6X14 (C)	SCREW PAN 6X14 (C)	6	
	93600	93600-PWB1-900	SCREW FLAT 6X16(C)	SCREW FLAT 6X16(C)	3	
	94301-08100	94301-08100	DOWEL PIN 8*10	DOWEL PIN 8*10	2	
	94301-12200	94301-12200	DOWEL PIN 12*20	DOWEL PIN 12*20	2	
	94302	94302-KKE5-E00	D12 DOWEL PIN R/L CASE	D12 DOWEL PIN R/L CASE	2	
	95002	95002-KKD6-E05	CLAMP D18 TUBE	CLAMP D18 TUBE	2	
#	95701-08050	95701-08050-06	BOLT FLANGE 8*50	BOLT FLANGE 8*50	1	
#	95701-08060	95701-08060-06	BOLT FLANGE 8*60 (G)	BOLT FLANGE 8*60 (G)	1	
#	95701-08085	95701-08085-06	BOLT FLANGE 8*85 (G)	BOLT FLANGE 8*85 (G)	1	



E01

# Right Crank Case

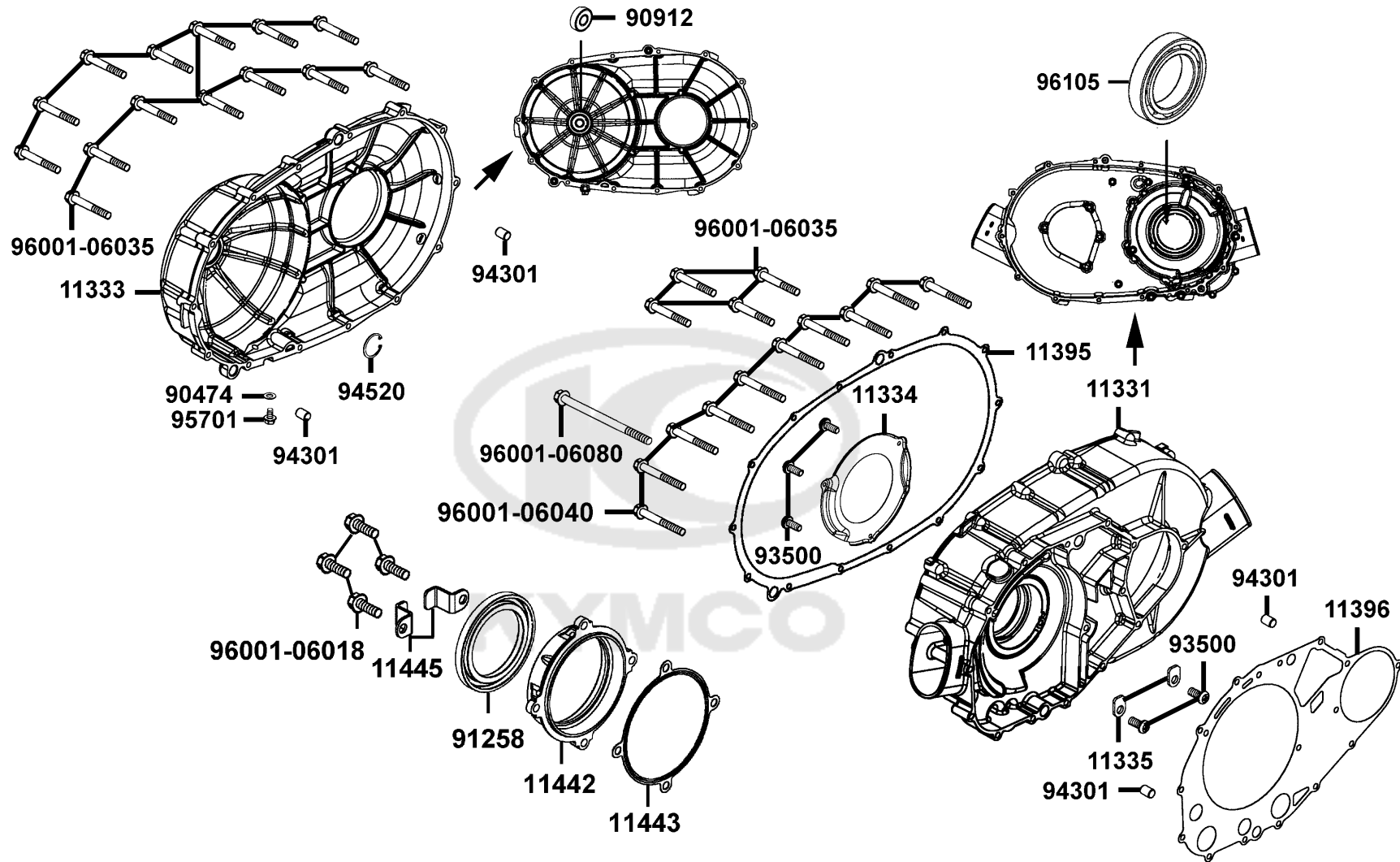


Sales mark	Ref no	Part no	Description	Reg description	Regd no	<b>E01</b>
#	96001-06018	96001-06018-06	BOLT FLANGE SH 6*18	BOLT FLANGE SH 6*18	1	
#	96001-06025	96001-06025-06	BOLT FLANGE SH 6*25	BOLT FLANGE SH 6*25	1	
#	96001-06045	96001-06045-06	BOLT FLANGE 6*45 **07 C.2005.07.01	BOLT FLANGE 6*45 **07 C.2005.07.01	1	
#	96001-06070	96001-06070-06	BOLT FLANGE SH 6*70	BOLT FLANGE SH 6*70	1	
	96100-62040	96100-62040-00	BEARING BALL RADIAL 6204	BEARING BALL RADIAL 6204	1	
	96100-62050	96100-62050-00	BEARING BALL RADIAL 6205	BEARING BALL RADIAL 6205	1	
	96100-62070	96100-62070-00	BRG RADIAL BALL 6207	BRG RADIAL BALL 6207	1	
	96100-63040	96100-63040-00	BRG BALL RADIAL 6304	BRG BALL RADIAL 6304	1	
	96120	96120-PWB1-900	BEARING BALL D/R 30X62X23.8	BEARING BALL D/R 30X62X23.8	1	



E02

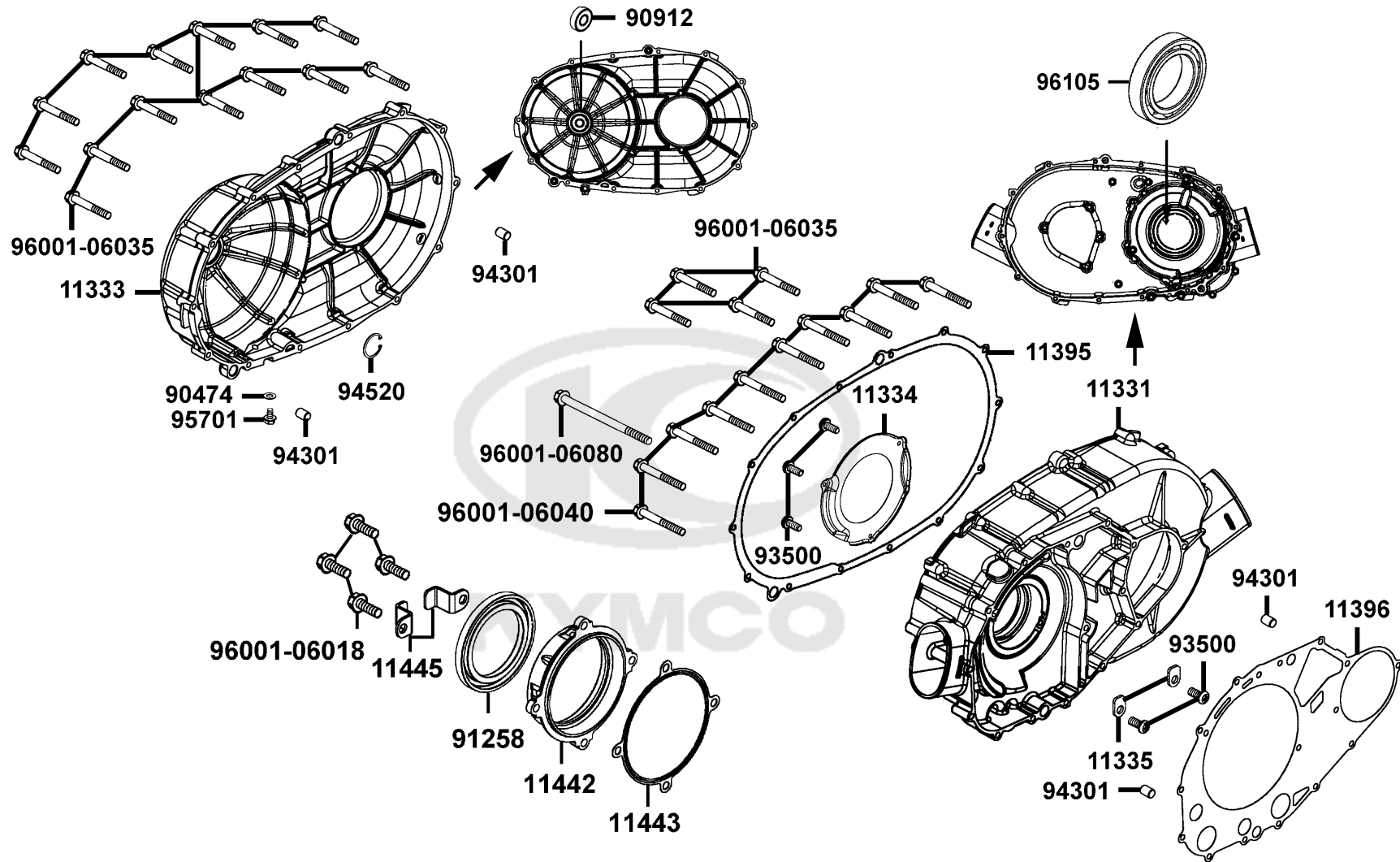
# Cover Right Crank Case



Sales mark	Ref no	Part no	Description	Reg description	Regd no	E02
	11331	11331-PWB1-800	COVER R CRANK CASE	COVER R CRANK CASE	1	
	11333	11333-LFA5-900	COVER R COVER	COVER R COVER	1	
	11334	11334-PWB1-900	PLATE AIR INTAKE	PLATE AIR INTAKE	1	
	11335	11335-PWB1-900	RETAINER BEARING	RETAINER BEARING	2	
	11395	11395-PWB1-900	GASKET R COVER	GASKET R COVER	1	
	11396	11396-PWB1-900	GASKET R COVER	GASKET R COVER	1	
	11442	11442-LDB5-900	COVER PRIMARY SHAFT	COVER PRIMARY SHAFT	1	
	11443	11443-LDB5-900	GASKET PRIMARY SHAFT COVER	GASKET PRIMARY SHAFT COVER	1	
	11445	11445-LFA5-800	PLATE PRIMARY SHAFT COVER	PLATE PRIMARY SHAFT COVER	2	
	90474	90474-3C33-001	WASHER 8MM	WASHER 8MM	1	
	90912	90912-KFLF-00A	BEARING 6201 LLU	BEARING 6201 LLU	1	
	91258	91258-LDB5-900	OIL SEAL 56.5*80*7	OIL SEAL 56.5*80*7	1	
	93500	93500-PWB1-900	SCREW PAN 6X14 (C)	SCREW PAN 6X14 (C)	3	
	94301	94301-12200	DOWEL PIN 12*20	DOWEL PIN 12*20	4	
	94520	94520-32180	CIR CLIP IN 32	CIR CLIP IN 32	1	
#	95701	95701-08012-06	BOLT FLANGE 8*12	BOLT FLANGE 8*12	1	
#	96001-06018	96001-06018-06	BOLT FLANGE SH 6*18	BOLT FLANGE SH 6*18	1	
#	96001-06035	96001-06035-06	BOLT FLANGE SH 6*35	BOLT FLANGE SH 6*35	1	
#	96001-06040	96001-06040-06	BOLT FLANGE SH 6*40	BOLT FLANGE SH 6*40	1	
#	96001-06080	96001-06080-06	BOLT FLANGE SH 6*80(G)	BOLT FLANGE SH 6*80(G)	1	

E02

# Cover Right Crank Case



Sales mark	Ref no	Part no	Description	Reg description	Regd no	<b>E02</b>
------------	--------	---------	-------------	-----------------	---------	------------

96105

96105-LFA5-80B

BEARING BALL RADIAL 6815RS

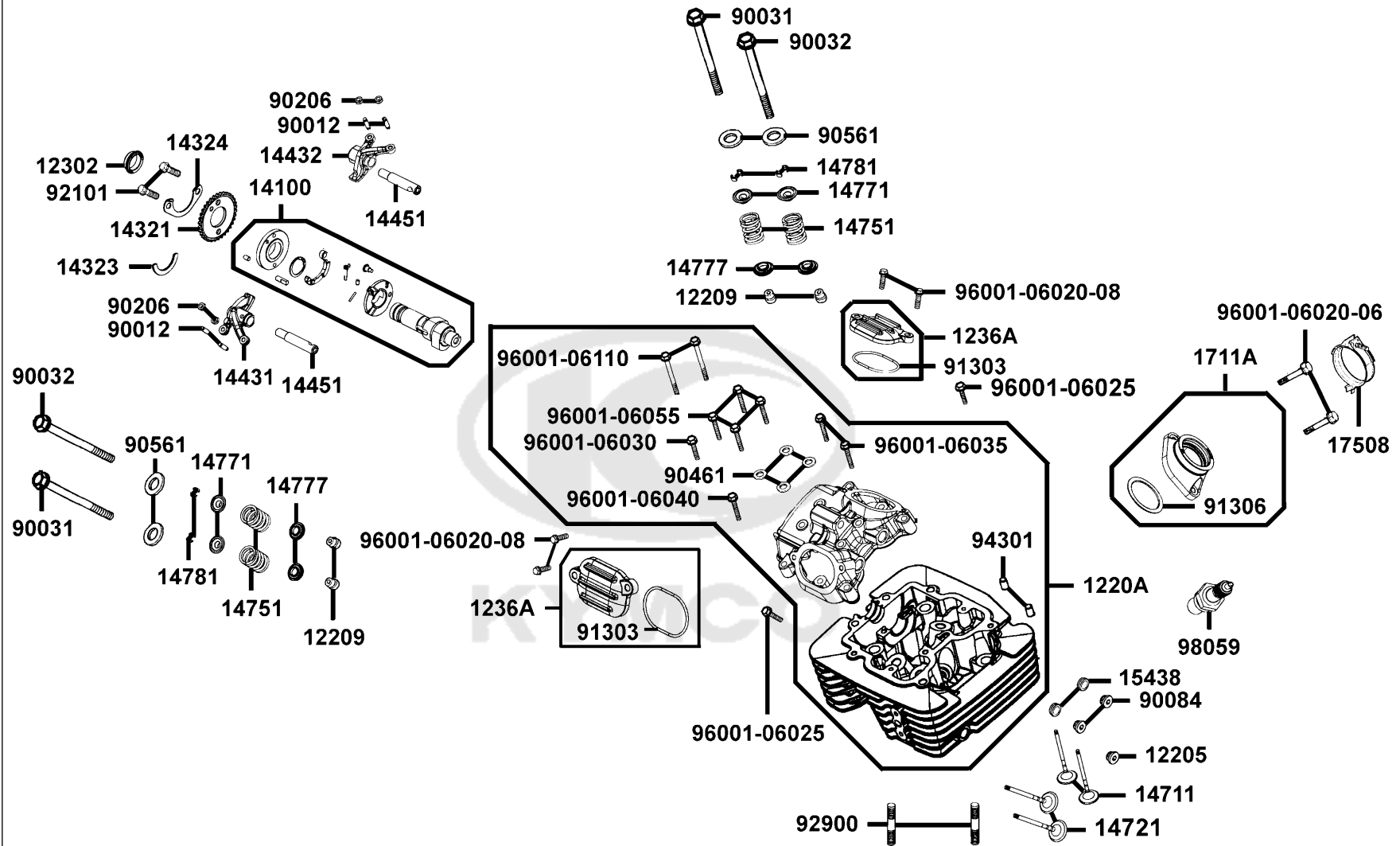
BEARING BALL RADIAL 6815RS

1



E03

# Cylinder Head Cover Cylinder Head

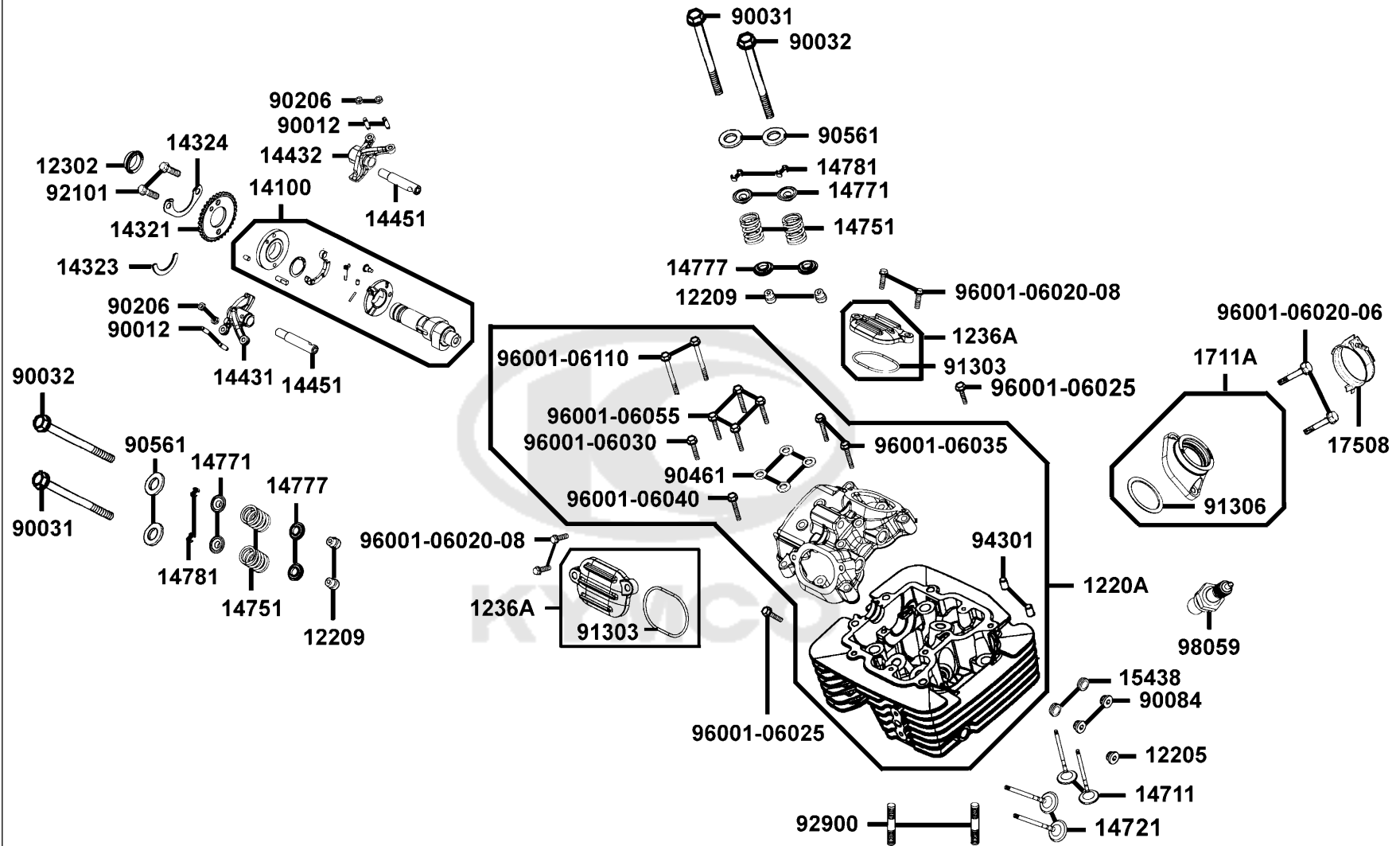


Sales mark	Ref no	Part no	Description	Reg description	Regd no	E03
12205		12205-KHE8-301	BOLT SEALING 12MM	BOLT SEALING 12MM	1	
12209		12209-PWB1-900	SEAL VALVE STEM	SEAL VALVE STEM	4	
1220A		1220A-PWB1-900	HEAD ASSY CYLINDER	HEAD ASSY CYLINDER	1	
12302		12302-PWB1-900	PLUG HEAD	PLUG HEAD	1	
1236A		1236A-PWB1-900	CAP ASSY TAPPET ADJUSTING HOLE	CAP ASSY TAPPET ADJUSTING HOLE	2	
14100		14100-PWB1-910	SHAFT COMP CAM	SHAFT COMP CAM	1	
14321		14321-PWB1-900	SPROCKET CAM	SPROCKET CAM	1	
14323		14323-PWB1-900	C-RING CAM RETAINER	C-RING CAM RETAINER	1	
14324		14324-PWB1-900	WASHER LOCK AMSHAFT	WASHER LOCK AMSHAFT	1	
14431		14431-PWB1-900	ARM VALVE ROCKER	ARM VALVE ROCKER	1	
14432		14432-PWB1-900	ARM EX VALVE ROCKER	ARM EX VALVE ROCKER	1	
14451		14451-PWB1-900	ROCKER ARM SHAFT INTAKE	ROCKER ARM SHAFT INTAKE	2	
14711		14711-PWB1-900	VALVE INTAKE	VALVE INTAKE	2	
14721		14721-PWB1-900	VALVE EXHAUST	VALVE EXHAUST	2	
14751		14751-PWB1-900	SPRING VALVE	SPRING VALVE	4	
14771		14771-PWB1-900	RETAINER UPPER SPRING	RETAINER UPPER SPRING	4	
14777		14777-PWB1-900	SEAT VALVE SPRING	SEAT VALVE SPRING	4	
14781		14781-MFA6-001	COTTER VALVE	COTTER VALVE	8	
15438		15438-PWB1-900	GASKET METAL COMPRESSION	GASKET METAL COMPRESSION	2	
1711A		1711A-PWB1-900	PIPE ASSY INLET	PIPE ASSY INLET	1	



E03

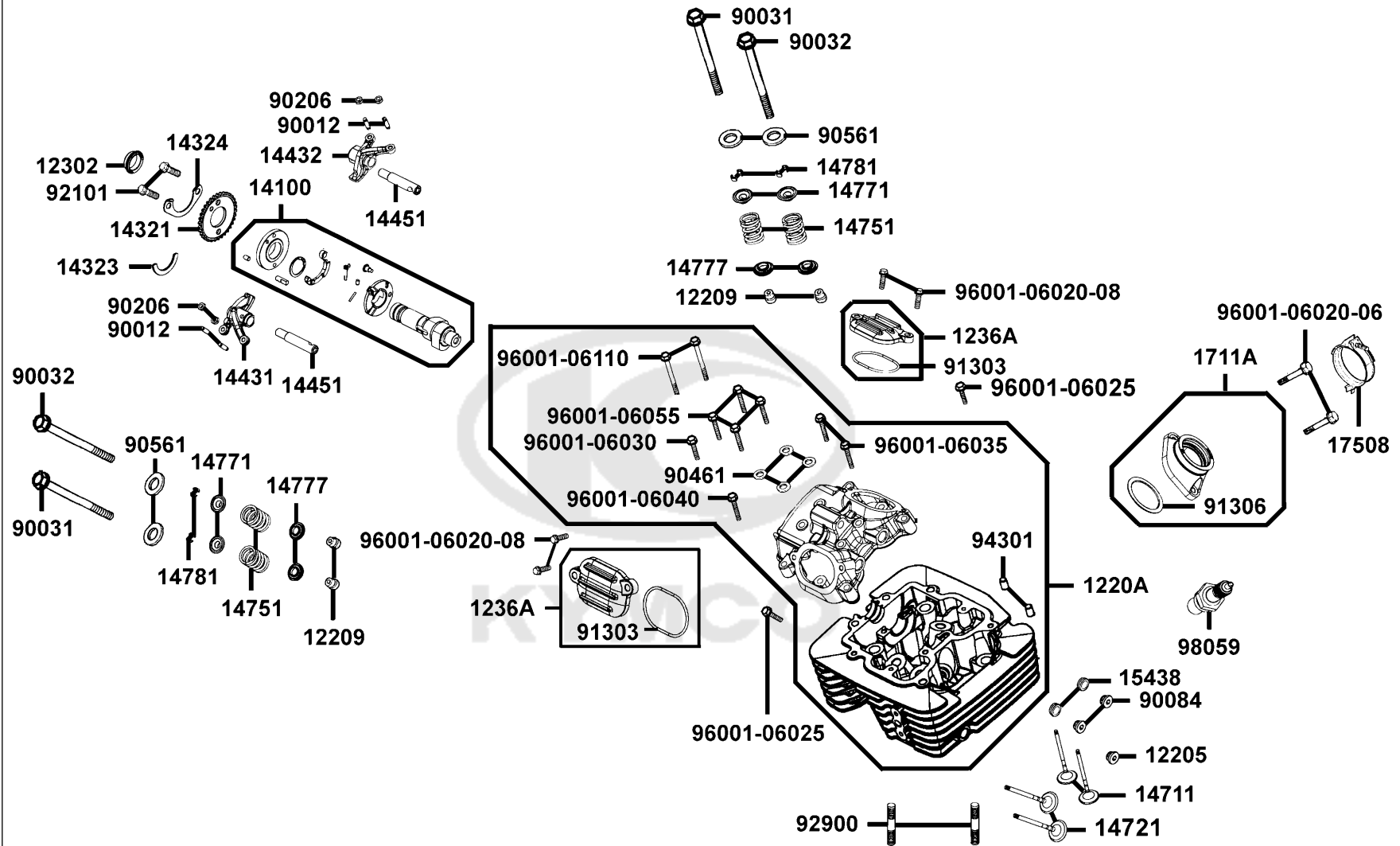
# Cylinder Head Cover Cylinder Head



Sales mark	Ref no	Part no	Description	Reg description	Regd no	E03
	17508	17508-PWB1-900	CLAMP D56	CLAMP D56	1	
	90012	90012-3C33-001	SCREW TAPPET ADJUSTING	SCREW TAPPET ADJUSTING	4	
	90031	90031-PWB1-900	BOLT UBS 10x170	BOLT UBS 10x170	2	
	90032	90032-PWB1-900	BOLT UBS 10x180	BOLT UBS 10x180	2	
	90084	90084-KKE5-E00	CAPE OIL CHANNEL	CAPE OIL CHANNEL	2	
	90206	90206-0A01-001	NUT TAPPET ADJG	NUT TAPPET ADJG	4	
	90461	90461-PWB1-900	WASHER SEALING	WASHER SEALING	4	
	90561	90561-PWB1-900	WASHER 21X10X2.2	WASHER 21X10X2.2	4	
	91303	91303-PWB1-900	ORING INSPECTION CAP	ORING INSPECTION CAP	1	
	91306	91306-PWB1-900	O-RING INTAKE MANIFOLD	O-RING INTAKE MANIFOLD	1	
	92101	92101-06012-OHN	BOLT HEX 6X12	BOLT HEX 6X12	2	
	92900	92900-08046-0B	BOLT STUD 8X46	BOLT STUD 8X46	2	
	94301	94301-08140	DOWEL PIN 8*14	DOWEL PIN 8*14	2	
#	96001-06020-06	96001-06020-06	BOLT FLANGE SH 6*20	BOLT FLANGE SH 6*20	3	
#	96001-06025	96001-06025-06	BOLT FLANGE SH 6*25	BOLT FLANGE SH 6*25	1	
#	96001-06030	96001-06030-06	BOLT FLANGE SH 6*30 (G)	BOLT FLANGE SH 6*30 (G)	1	
#	96001-06035	96001-06035-06	BOLT FLANGE SH 6*35	BOLT FLANGE SH 6*35	1	
#	96001-06040	96001-06040-06	BOLT FLANGE SH 6*40	BOLT FLANGE SH 6*40	1	
#	96001-06055	96001-06055-06	BOLT FLANGE 6*55 **07 C.2005.07.01	BOLT FLANGE 6*55 **07 C.2005.07.01	1	
#	96001-06110	96001-06110-06	BOLT FLANGE SH 6*110	BOLT FLANGE SH 6*110	1	

E03

# Cylinder Head Cover Cylinder Head



Sales mark	Ref no	Part no	Description	Reg description	Regd no	<b>E03</b>
------------	--------	---------	-------------	-----------------	---------	------------

98059

98059-58916-00

PLUG SPARK(CR8E)

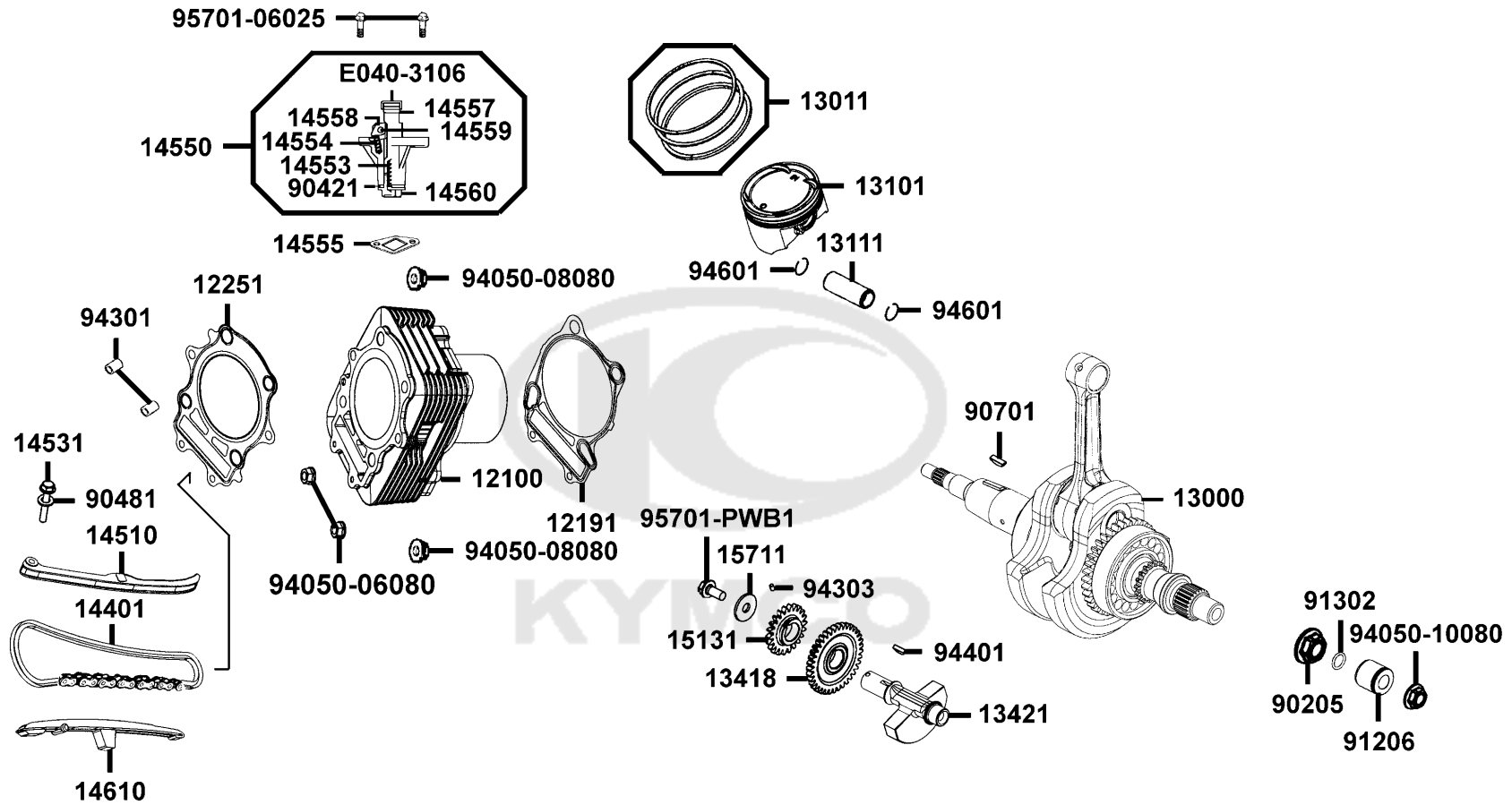
PLUG SPARK(CR8E)

1



E04

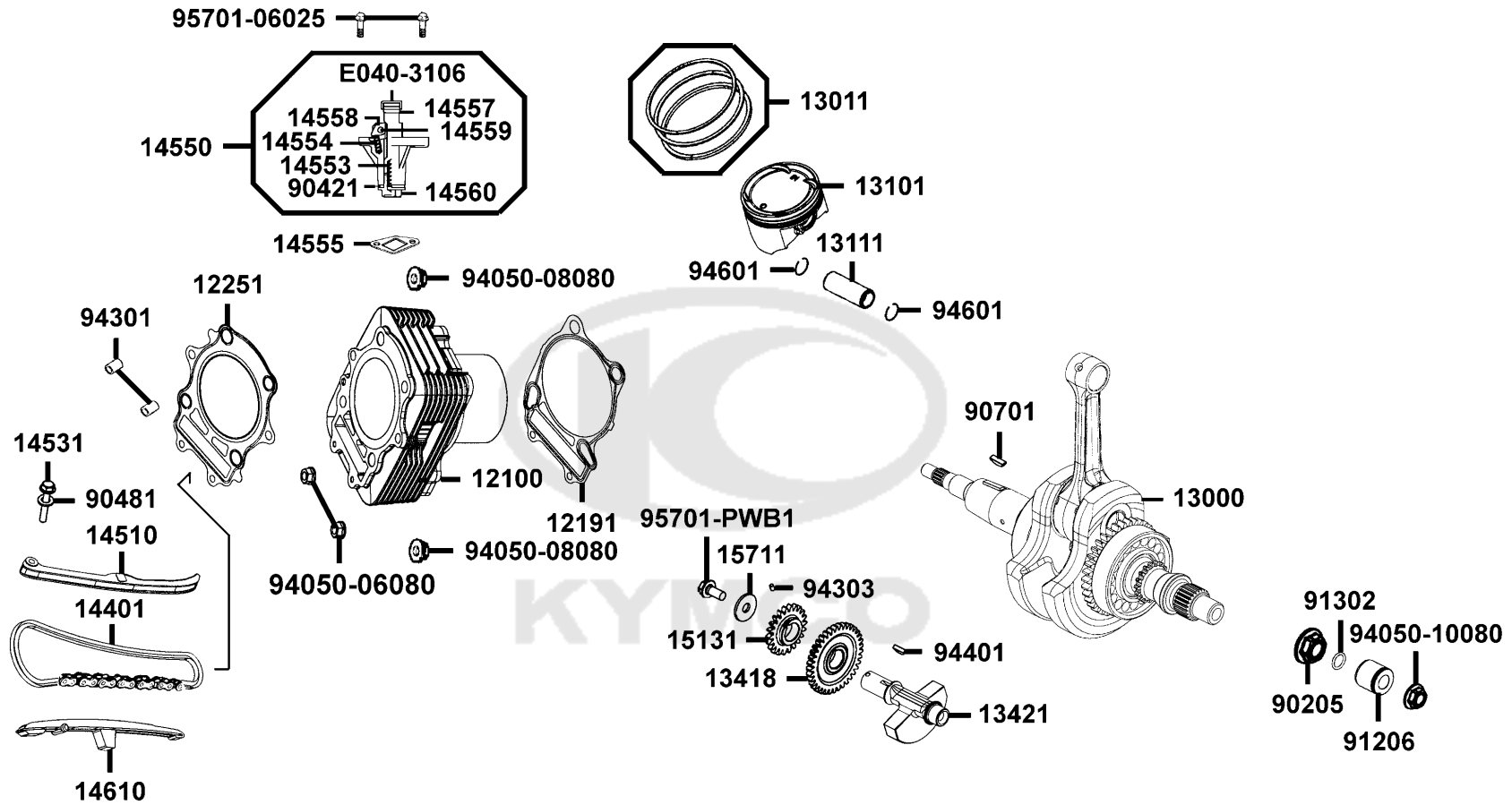
# Cylinder Piston Crankshaft



Sales mark	Ref no	Part no	Description	Reg description	Regd no	<b>E04</b>
12100		12100-PWB1-900	CYLINDER COMP	CYLINDER COMP	1	
12191		12191-PWB1-900	GASKET CYLINDER	GASKET CYLINDER	1	
12251		12251-PWB1-900	GASKET CYLINDER HEAD	GASKET CYLINDER HEAD	1	
13000		13000-PWB1-900	CRANK SHAFT COMP.	CRANK SHAFT COMP.	1	
13011		13011-PWB1-900	RING SET PISTON	RING SET PISTON	1	
13101		13101-PWB1-900	PISTON	PISTON	1	
13111		13111-PWB1-900	PIN PISTON	PIN PISTON	1	
13418		13418-PWB1-900	GEAR A BALANCER SHAFT	GEAR A BALANCER SHAFT	1	
13421		13421-PWB1-900	SHAFT BALANCER	SHAFT BALANCER	1	
14401		14401-PWB1-900	CHAIN CAM	CHAIN CAM	1	
14510		14510-PWB1-900	TENSIONER CAM CHAIN	TENSIONER CAM CHAIN	1	
14531		14531-PWB1-900	PIVOT TENSION GUIDE	PIVOT TENSION GUIDE	1	
14550		14550-LBA2-E00	ADJUSTER CAM CHAIN	ADJUSTER CAM CHAIN	1	
14553		14553-LBA2-E00	SPRING CAM CHAIN ADJUSTER	SPRING CAM CHAIN ADJUSTER	1	
14554		14554-KAM1-004	SPRING RATCHET	SPRING RATCHET	1	
14555		14555-LBA2-E00	GASKET CAM CHAIN ADJUSTER	GASKET CAM CHAIN ADJUSTER	1	
14557		14557-LBA2-E00	PLUNGER ADJUSTER	PLUNGER ADJUSTER	1	
14558		14558-LBA2-E00	CAM ADJUSTER	CAM ADJUSTER	1	
14559		14559-LBA2-E00	PIN ADJUSTER	PIN ADJUSTER	1	
14560		14560-LBA2-E00	PLUG COMP ADJUSTER	PLUG COMP ADJUSTER	1	

E04

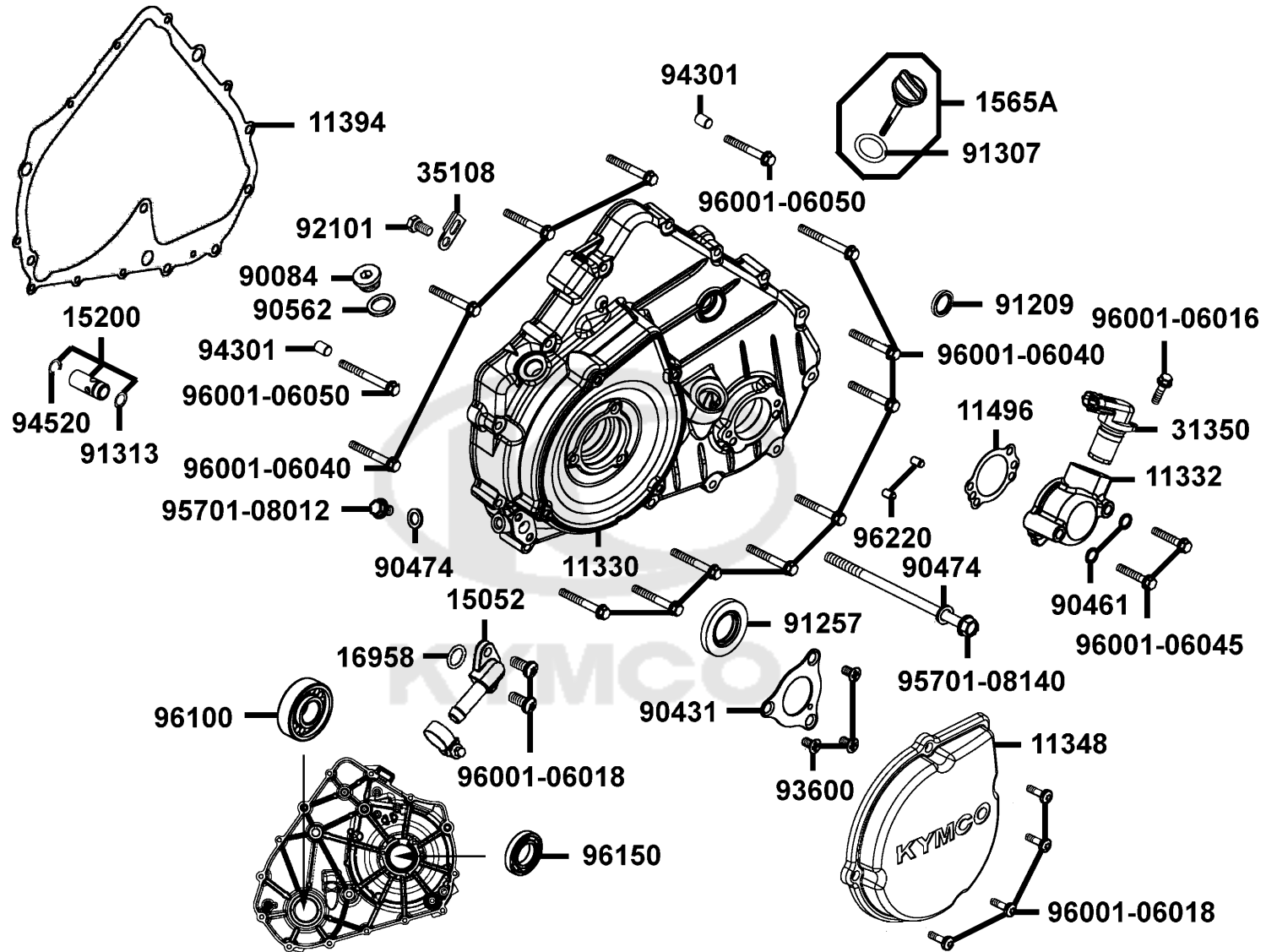
# Cylinder Piston Crankshaft



Sales mark	Ref no	Part no	Description	Reg description	Regd no	<b>E04</b>
	14610	14610-PWB1-900	GUIDE COMP CAM CHAIN	GUIDE COMP CAM CHAIN	1	
	15131	15131-PWB1-900	SPROCKET OIL PUMP DRIVE	SPROCKET OIL PUMP DRIVE	1	
	15711	15711-PWB1-900	WASHER 10.2X30X2.5	WASHER 10.2X30X2.5	1	
	90205	90205-LDB5-E00	NUT FLANGE 16 MM	NUT FLANGE 16 MM	1	
	90421	90421-LBA2-E00	WASHER SEALING 10*16*1	WASHER SEALING 10*16*1	1	
	90481	90481-0E35-001	WASHER 8MM	WASHER 8MM	1	
	90701	90701-LDB5-E00	KEY WAY ACG	KEY WAY ACG	1	
	91206	91206-PWB1-900	COLLAR	COLLAR	1	
	91302	91302-PWB1-900	O-RING 12x2	O-RING 12x2	1	
	94050-06080	94050-06080	NUT FLANGE 6MM	NUT FLANGE 6MM	2	
	94050-08080	94050-08080	NUT FLANGE 8MM	NUT FLANGE 8MM	2	
	94050-10080	94050-10080	NUT FLANGE 10MM	NUT FLANGE 10MM	1	
	94301	94301-13220	DOWEL PIN 13x18	DOWEL PIN 13x18	2	
	94303	94303-04065	DOWEL PIN 4*6.5	DOWEL PIN 4*6.5	1	
	94401	94401-16150	KEY WOODRUFF 16*15	KEY WOODRUFF 16*15	1	
	94601	94601-PWB1-900	CIRCLIP PISTON PIN 20MM	CIRCLIP PISTON PIN 20MM	2	
#	95701-06025	95701-06025-06	BOLT FLANGE 6*25	BOLT FLANGE 6*25	1	
	95701-PWB1	95701-PWB1-900	BOLT FLANGE 10x20	BOLT FLANGE 10x20	1	
	E040	E040-3106	CAP	CAP	1	

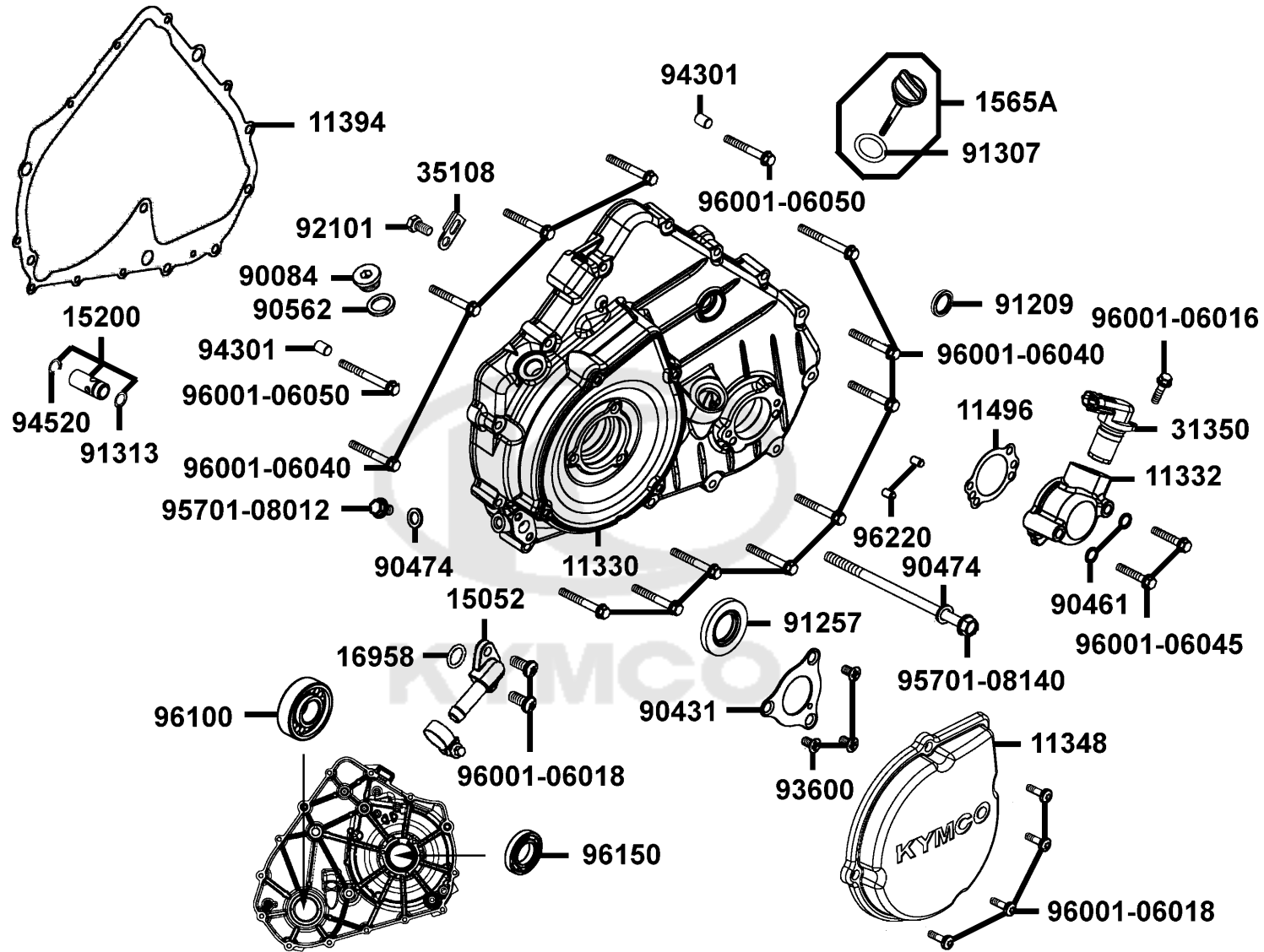


Cover Left Crank Case



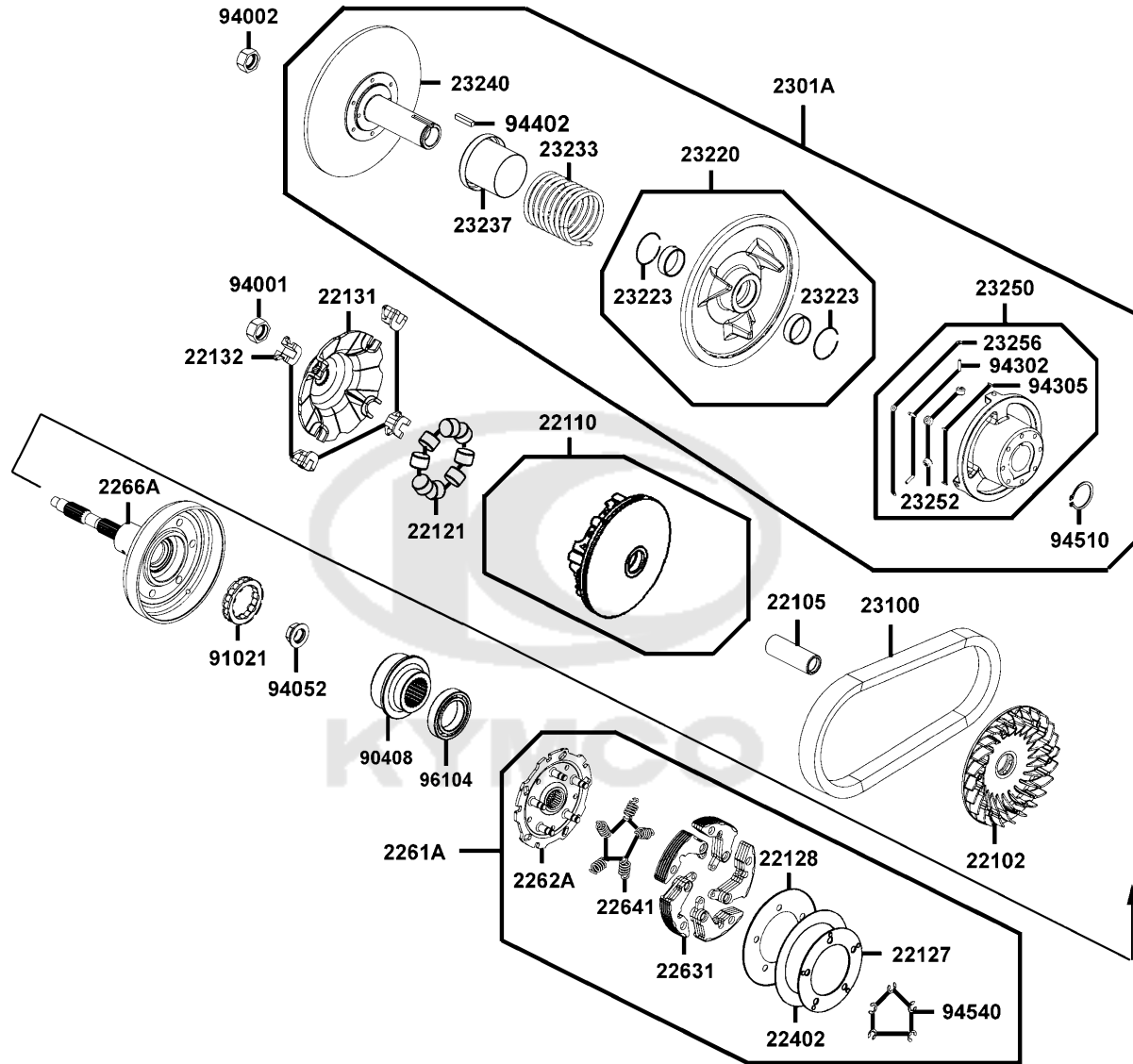
Sales mark	Ref no	Part no	Description	Reg description	Regd no	E05
	11330	11330-PWB1-900	COVER LEFT CRANK CASE	COVER LEFT CRANK CASE	1	
	11332	11332-PWB1-900	HOUSING SPEED SENSOR	HOUSING SPEED SENSOR	1	
	11348	11348-LFA5-900	COVER STARTING	COVER STARTING	1	
	11394	11394-PWB1-900	GASKET L COVER	GASKET L COVER	1	
	11496	11496-PWB1-900	GASKET SENSOR HOUSING	GASKET SENSOR HOUSING	1	
	15052	15052-PWB1-900	ANGLE FITTING OIL	ANGLE FITTING OIL	1	
	15200	15200-PWB1-900	OIL RELIEF VALVE ASSY	OIL RELIEF VALVE ASSY	1	
	1565A	1565A-PWB1-900	GAUGE ASST OIL LEVEL	GAUGE ASST OIL LEVEL	1	
	16958	16958-KHB4-900	O-RING 10.77x2.62	O-RING 10.77x2.62	1	
	31350	31350-LDB5-E0A	SENSOR SPEED	SENSOR SPEED	1	
	35108	35108-PWB1-900	STAY B ACG STATOR	STAY B ACG STATOR	1	
	90084	90084-PWB1-900	CAP ACG	CAP ACG	1	
	90431	90431-PWB1-900	RETAINER OIL SEAL	RETAINER OIL SEAL	1	
	90461	90461-PWB1-900	WASHER SEALING	WASHER SEALING	2	
	90474	90474-3C33-001	WASHER 8MM	WASHER 8MM	2	
	90562	90562-PWB1-900	WASHER 16X22X2	WASHER 16X22X2	1	
	91209	91209-PWB1-900	OIL SEAL 12X22X9	OIL SEAL 12X22X9	1	
	91257	91257-PWB1-900	OIL SEAL 25*48*7	OIL SEAL 25*48*7	1	
	91307	91307-0E35-001	O RING 18*3	O RING 18*3	1	
	91313	91313-KED9-900	O-RING 15.5*1.5	O-RING 15.5*1.5	1	

Cover Left Crank Case



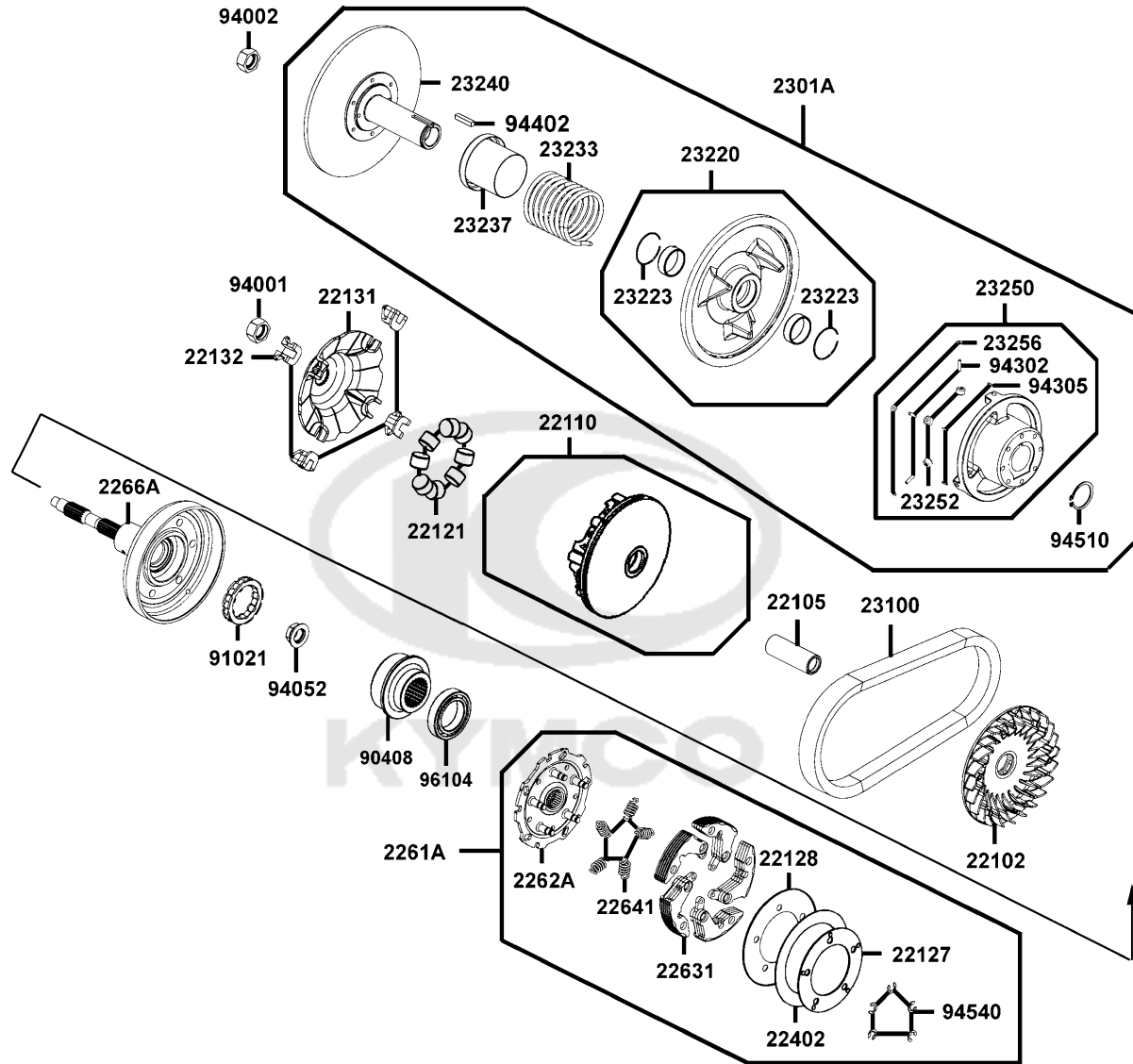
Sales mark	Ref no	Part no	Description	Reg description	Regd no	<b>E05</b>
#	92101	92101-05012-0G	BOLT HEX 5*12 (G)	BOLT HEX 5*12 (G)	1	
	93600	93600-PWB1-900	SCREW FLAT 6X16(C)	SCREW FLAT 6X16(C)	3	
	94301	94301-12200	DOWEL PIN 12*20	DOWEL PIN 12*20	2	
	94520	94520-12100	CIR CLIP IN 12	CIR CLIP IN 12	1	
#	95701-08012	95701-08012-06	BOLT FLANGE 8*12	BOLT FLANGE 8*12	1	
#	95701-08140	95701-08140-06	BOLT FLANGE 8*140	BOLT FLANGE 8*140	1	
#	96001-06016	96001-06016-06	BOLT FLANGE SH 6*16	BOLT FLANGE SH 6*16	1	
#	96001-06018	96001-06018-06	BOLT FLANGE SH 6*18	BOLT FLANGE SH 6*18	1	
#	96001-06040	96001-06040-06	BOLT FLANGE SH 6*40	BOLT FLANGE SH 6*40	1	
#	96001-06045	96001-06045-06	BOLT FLANGE 6*45 **07 C.2005.07.01	BOLT FLANGE 6*45 **07 C.2005.07.01	1	
#	96001-06050	96001-06050-06	BOLT FLANGE SH 6*50	BOLT FLANGE SH 6*50	1	
	96100	96100-63040-00	BRG BALL RADIAL 6304	BRG BALL RADIAL 6304	1	
	96150	96150-PWB1-900	BEARING CONRAD S/R(16005)	BEARING CONRAD S/R(16005)	1	
	96220	96220-60100	ROLLER 6*10	ROLLER 6*10	2	

Drive Pulley



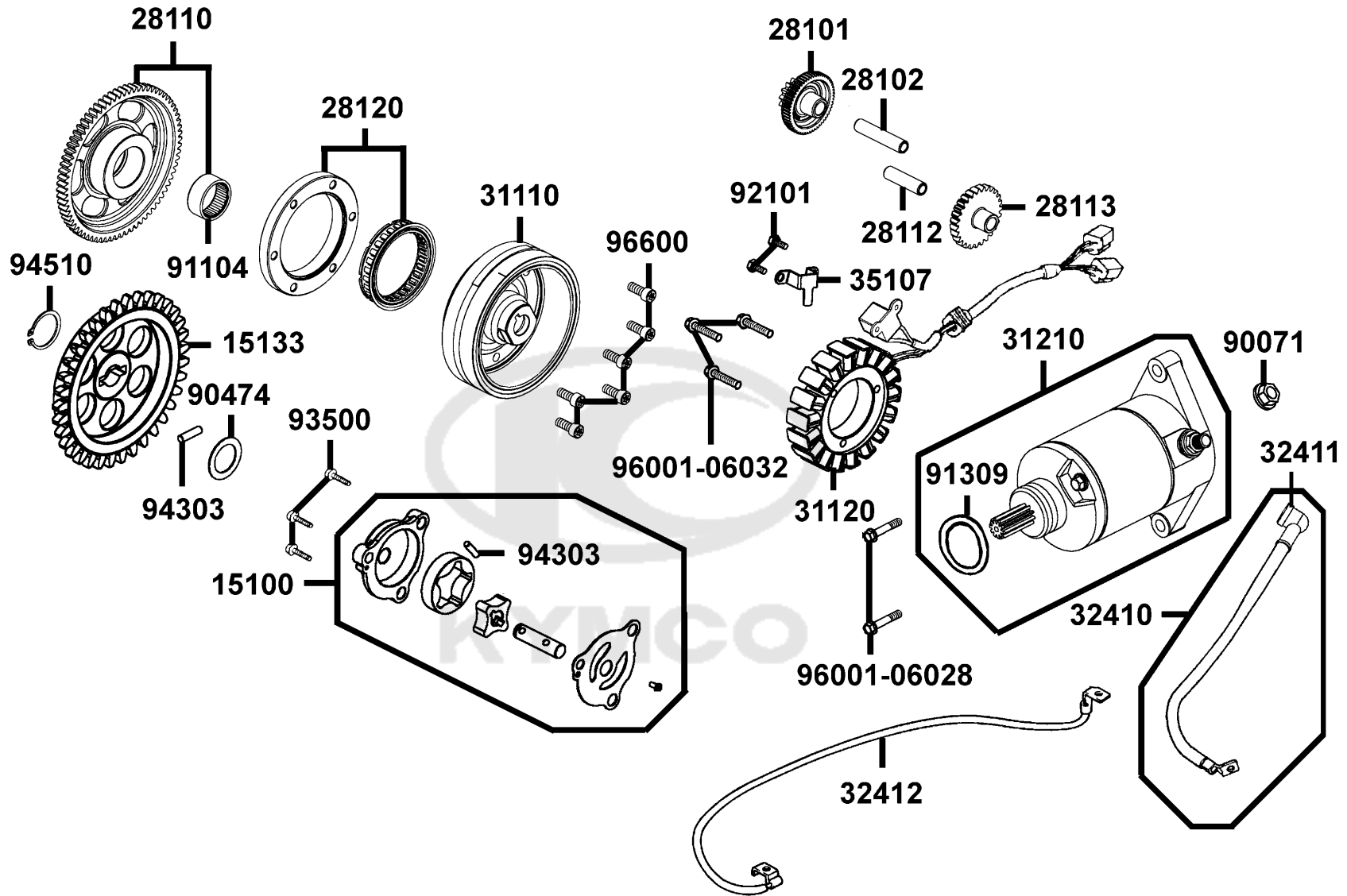
Sales mark	Ref no	Part no	Description	Reg description	Regd no	<b>E06</b>
	22102	22102-PWB1-900	FACE DRIVE	FACE DRIVE	1	
	22105	22105-PWB1-900	BOSS DRIVE FACE	BOSS DRIVE FACE	1	
	22110	22110-PWB1-900	FACE COMP MOVABLE	FACE COMP MOVABLE	1	
	22121	22121-PWB1-M30	ROLLER COMP WEIGHT 11g	ROLLER COMP WEIGHT 11g	1	
	22127	22127-PWB1-900	SEAT ADJUSTER SPG	SEAT ADJUSTER SPG	1	
	22128	22128-PWB1-900	PLATE ADJUSTER SPG	PLATE ADJUSTER SPG	1	
	22131	22131-PWB1-900	PLATE RAMP	PLATE RAMP	1	
	22132	22132-PWB1-900	PIECE SLIDE	PIECE SLIDE	4	
	22402	22402-PWB1-900	SPG ADJUSTER	SPG ADJUSTER	1	
	2261A	2261A-PWB1-M30	CLUTCH ASSY PRIMARY	CLUTCH ASSY PRIMARY	1	
	2262A	2262A-PWB1-800	PLATE COMP PRIMARY DRIVE	PLATE COMP PRIMARY DRIVE	1	
	22631	22631-PWB1-900	WEIGHT COMP PRIMARY CLUTCH	WEIGHT COMP PRIMARY CLUTCH	5	
	22641	22641-PWB1-M30	PRIMARY CLUTCH SPRING	PRIMARY CLUTCH SPRING	5	
	2266A	2266A-PWB1-900	GEAR ASSY PRIMARY DRIVE	GEAR ASSY PRIMARY DRIVE	1	
#	2301A	2301A-PWB1-800	PULLEY SUB ASSY DRIVEN	PULLEY SUB ASSY DRIVEN	1	
	23100	23100-PWB1-900	BELT DRIVE	BELT DRIVE	1	
	23220	23220-PWB1-900	FACE COMP MOVABLE	FACE COMP MOVABLE	1	
	23223	23223-PWB1-900	CLIP 38MM	CLIP 38MM	2	
	23233	23233-PWB1-900	SPG DRIVEN FACE	SPG DRIVEN FACE	1	
	23237	23237-PWB1-900	COLLAR SEAL	COLLAR SEAL	1	

Drive Pulley

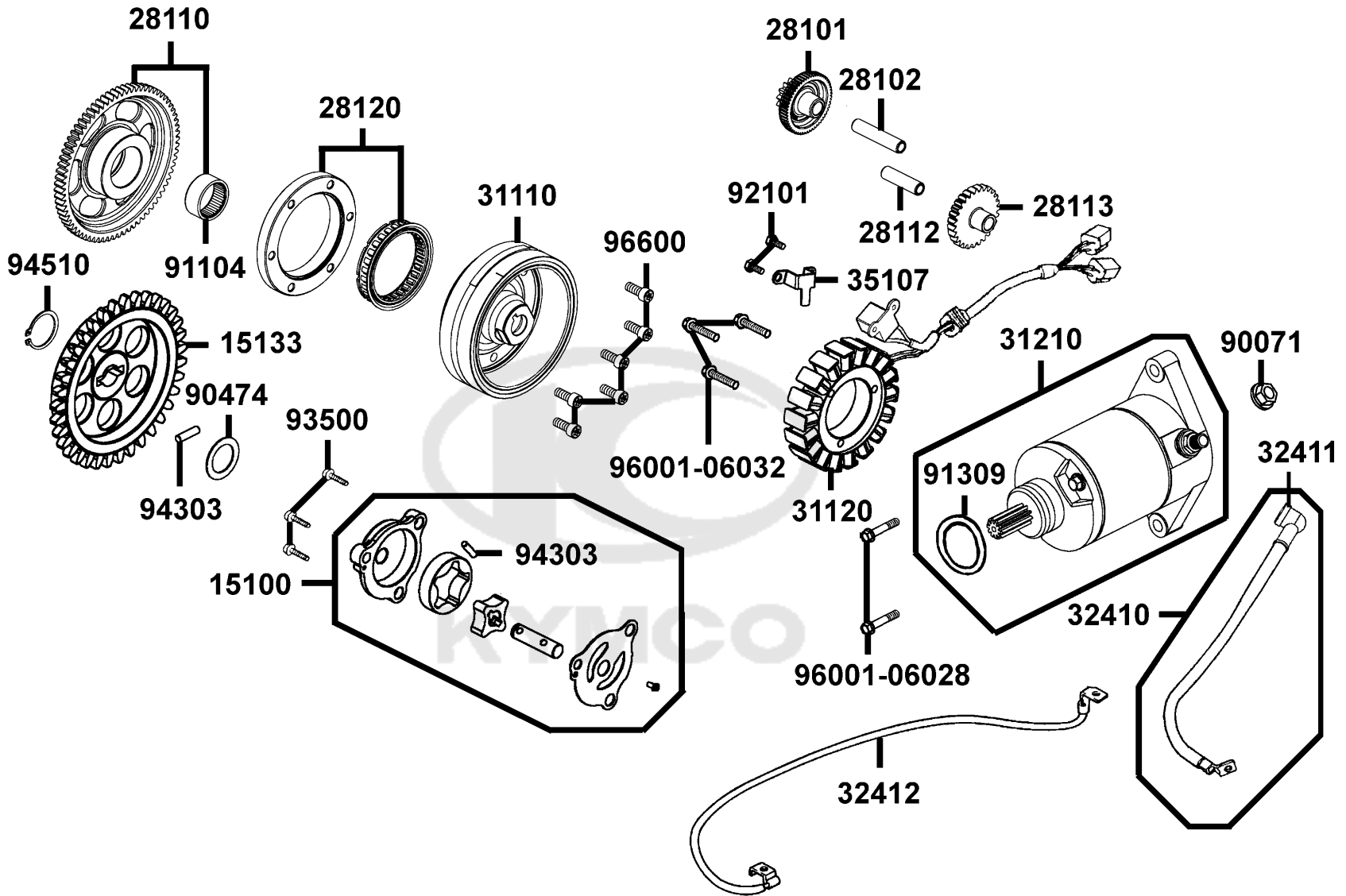


Sales mark	Ref no	Part no	Description	Reg description	Regd no	<b>E06</b>
	23240	23240-PWB1-900	FACE ASSY DRIVEN	FACE ASSY DRIVEN	1	
	23250	23250-PWB1-900	CAP ASSY DRIVEN CLUTCH	CAP ASSY DRIVEN CLUTCH	1	
	23252	23252-PWB1-900	ROLLER DRIVEN CLUTCH	ROLLER DRIVEN CLUTCH	3	
	23256	23256-PWB1-900	WASHER THRUST	WASHER THRUST	3	
	90408	90408-PWB1-800	COLLAR PRIMARY DRIVE SHAFT	COLLAR PRIMARY DRIVE SHAFT	1	
	91021	91021-LDB5-E00	BEARING ONE WAY	BEARING ONE WAY	1	
#	94001	94001-PWB1-900	NUT FLANGE 16MM	NUT FLANGE 16MM	1	
	94002	94002-PWB1-900	NUT FLANGE 16MM	NUT FLANGE 16MM	1	
	94052	94052-LFA5-800	NUT.FLANGE 18mm	NUT.FLANGE 18mm	1	
	94302	94302-06025	PIN CAM ROLLER	PIN CAM ROLLER	3	
	94305	94305-03161	PIN SPG 3x16	PIN SPG 3x16	3	
	94402	94402-PWB1-900	KEY 6x6x30	KEY 6x6x30	1	
	94510	94510-35150	CIRCLIP EX 35	CIRCLIP EX 35	1	
	94540	94540-07017	E RING 7MM	E RING 7MM	5	
	96104	96104-LDB5-90A	BEARING BALL RADIAL 16008	BEARING BALL RADIAL 16008	1	
	96104	96104-LDB5-90B	BEARING BALL RADIAL 16008	BEARING BALL RADIAL 16008	1	





Sales mark	Ref no	Part no	Description	Reg description	Regd no	E07
	15100	15100-PWB1-900	OIL PUMP ASSY	OIL PUMP ASSY	1	
	15133	15133-PWB1-900	SPROCKET OIL PUMP DRIVEN	SPROCKET OIL PUMP DRIVEN	1	
	28101	28101-PWB1-900	GEAR STARTER REDUCTION	GEAR STARTER REDUCTION	1	
	28102	28102-PWB1-900	SHAFT STARTER REDUCTION GEAR	SHAFT STARTER REDUCTION GEAR	1	
	28110	28110-PWB1-900	GEAR COMP STARTING CLUTCH	GEAR COMP STARTING CLUTCH	1	
	28112	28112-PWB1-900	SHAFT A STARTER REDUCTION GEAR	SHAFT A STARTER REDUCTION GEAR	1	
	28113	28113-PWB1-900	GEAR A STARTER REDUCTION	GEAR A STARTER REDUCTION	1	
	28120	28120-PWB1-900	OUTER COMP STARTING CLUTCH	OUTER COMP STARTING CLUTCH	1	
	31110	31110-PWB1-900	FLYWHEEL COMP /D406	FLYWHEEL COMP /D406	1	
	31120	31120-LFA5-E00	STATOR COMP /D406	STATOR COMP /D406	1	
	31210	31210-PWB1-900	MOTOR UNIT STARTER	MOTOR UNIT STARTER	1	
	32410	32410-LGN5-E00	CABLE STARTER MOTOR	CABLE STARTER MOTOR	1	
	32411	32411-2C53-001	COVER STARTING MOTOR TERMINAL	COVER STARTING MOTOR TERMINAL	1	
	32412	32412-LGN5-E00	CABLE EARTH	CABLE EARTH	1	
	35107	35107-PWB1-900	STAY A ACG STATOR	STAY A ACG STATOR	1	
	90071	90071-MLB0-001	NUT WASH 6MM	NUT WASH 6MM	1	
	90474	90474-1G47-001	WASHER 10.5MM	WASHER 10.5MM	1	
	91104	91104-PWB1-90A	BRG NEEDLE 31X39X18	BRG NEEDLE 31X39X18	1	
	91309	91309-4E25-004	O-RING 24.4*3.1	O-RING 24.4*3.1	1	
#	92101	92101-05012-0G	BOLT HEX 5*12 (G)	BOLT HEX 5*12 (G)	1	

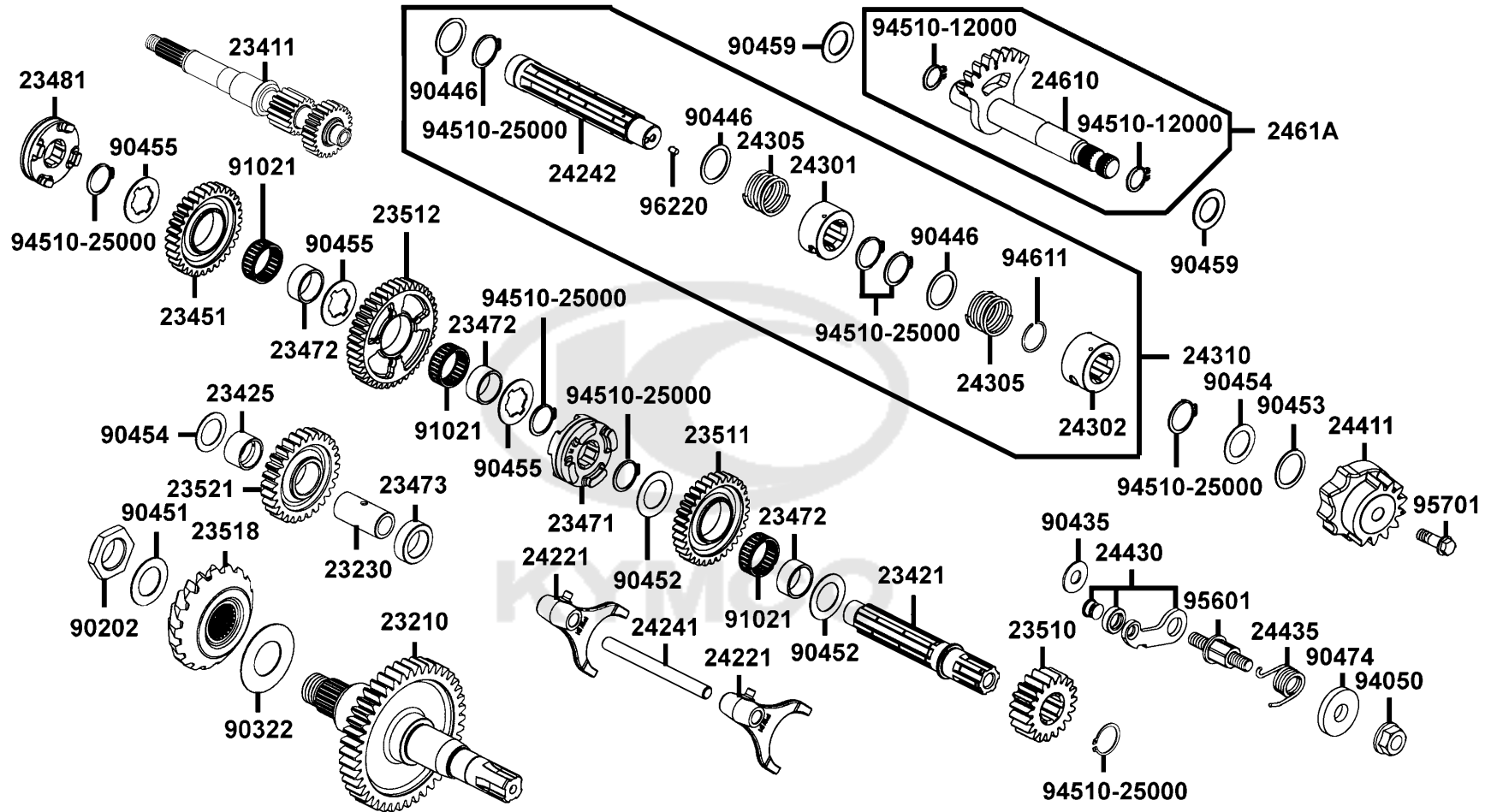


Sales mark	Ref no	Part no	Description	Reg description	Regd no	<b>E07</b>
#	93500	93500-06025-0FN	SCREW PAN 6*25	SCREW PAN 6*25	1	
	94303	94303-04160	PIN 4x16	PIN 4x16	1	
	94510	94510-10000	CIR CLIP EX 10MM	CIR CLIP EX 10MM	1	
	96001-06028	96001-06028-08N	BOLT FLANGE SH 6*28	BOLT FLANGE SH 6*28	2	
#	96001-06032	96001-06032-06N	BOLT FLANGE SH 6X32(G)	BOLT FLANGE SH 6X32(G)	1	
	96600	96600-LDB5-E00	SOCKET BOLT 8*20	SOCKET BOLT 8*20	6	



E08

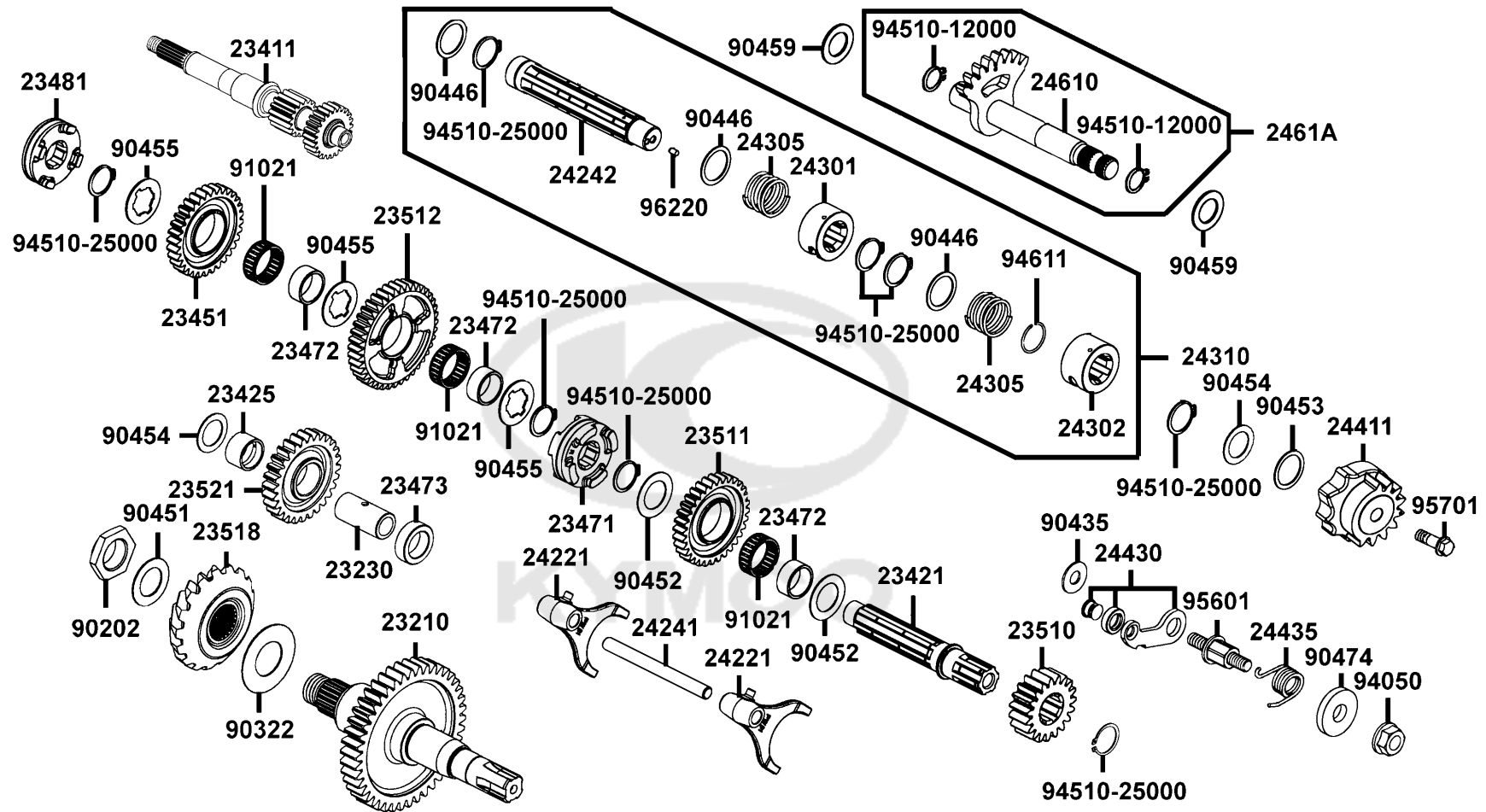
# Clutch Assy Primary



Sales mark	Ref no	Part no	Description	Reg description	Regd no	<b>E08</b>
23210		23210-PWB1-900	SHAFT COMP MAIN	SHAFT COMP MAIN	1	
23230		23230-PWB1-900	SHAFT BACKWARD IDLE	SHAFT BACKWARD IDLE	1	
23411		23411-PWB1-900	SHAFT DRIVE	SHAFT DRIVE	1	
23421		23421-PWB1-900	SHAFT COUNTER	SHAFT COUNTER	1	
23425		23425-PWB1-900	BUSH BACKWARD IDLE GEAR	BUSH BACKWARD IDLE GEAR	1	
23451		23451-PWB1-900	GEAR BACKWARD DRIVEN 32T	GEAR BACKWARD DRIVEN 32T	1	
23471		23471-PWB1-900	SHIFT FORWARD&LOW	SHIFT FORWARD&LOW	1	
23472		23472-PWB1-900	RING 25 INNER	RING 25 INNER	3	
23473		23473-PWB1-900	COLLAR 20X30X9.5	COLLAR 20X30X9.5	1	
23481		23481-PWB1-900	SHIFT BACKWARD	SHIFT BACKWARD	1	
23510		23510-PWB1-900	GEAR FORWARD DRIVEN 19T	GEAR FORWARD DRIVEN 19T	1	
23511		23511-PWB1-900	GEAR FORWARD DRIVEN 33T	GEAR FORWARD DRIVEN 33T	1	
23512		23512-PWB1-900	GEAR LOWER DRIVEN 40T	GEAR LOWER DRIVEN 40T	1	
23518		23518-PWB1-900	BEVEL GEAR DRIVE	BEVEL GEAR DRIVE	1	
23521		23521-PWB1-900	GEAR BACKWARD IDLE 28T	GEAR BACKWARD IDLE 28T	1	
24221		24221-PWB1-900	FORK SHIFT	FORK SHIFT	2	
24241		24241-PWB1-900	SHAFT SHIFT FORK	SHAFT SHIFT FORK	1	
24242		24242-PWB1-900	SHAFT DRUM GEAR SHIFT	SHAFT DRUM GEAR SHIFT	1	
24301		24301-PWB1-900	DRUM FORWARD	DRUM FORWARD	1	
24302		24302-PWB1-900	DRUM BACKWARD	DRUM BACKWARD	1	

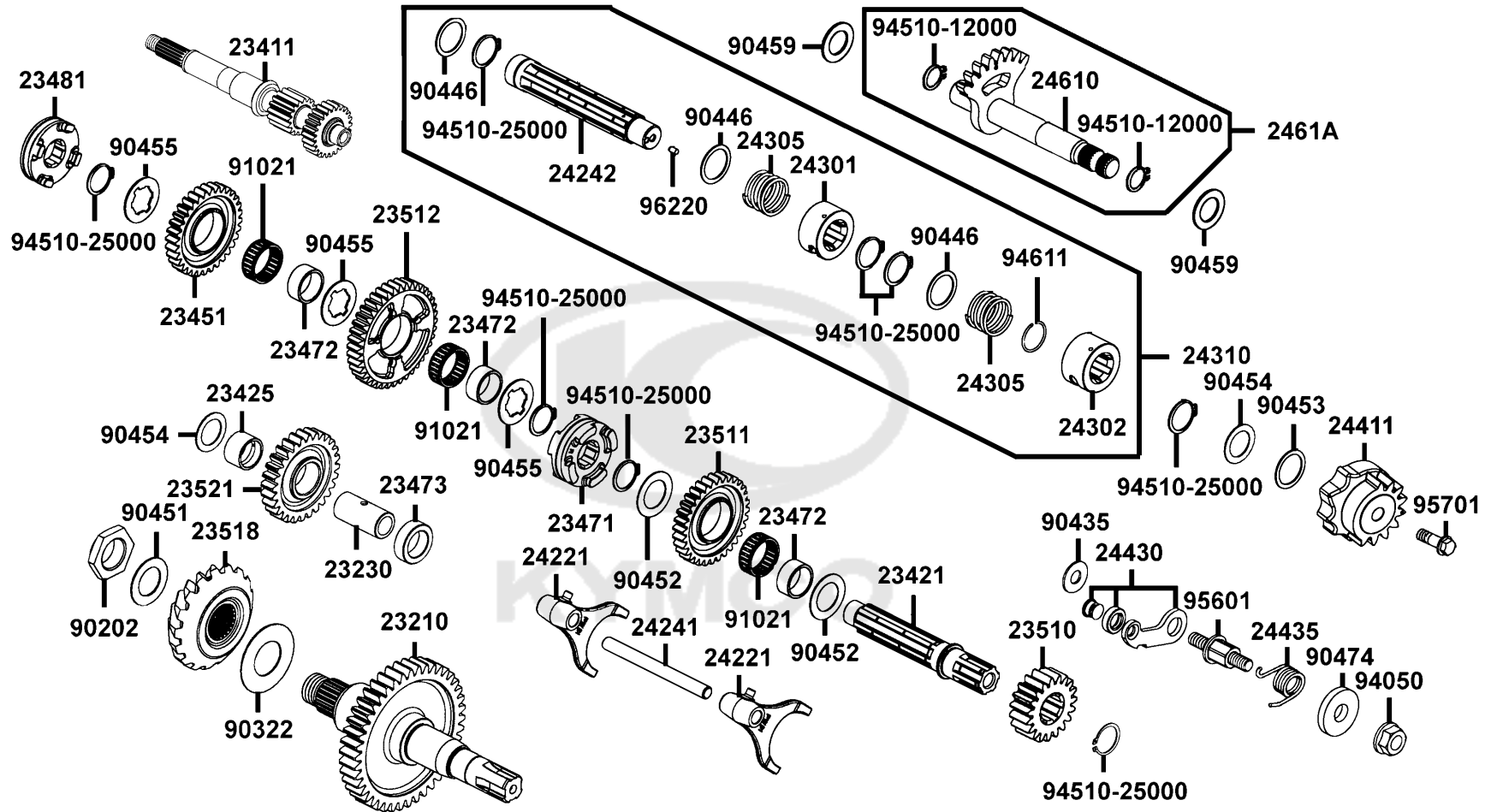
E08

### Clutch Assy Primary



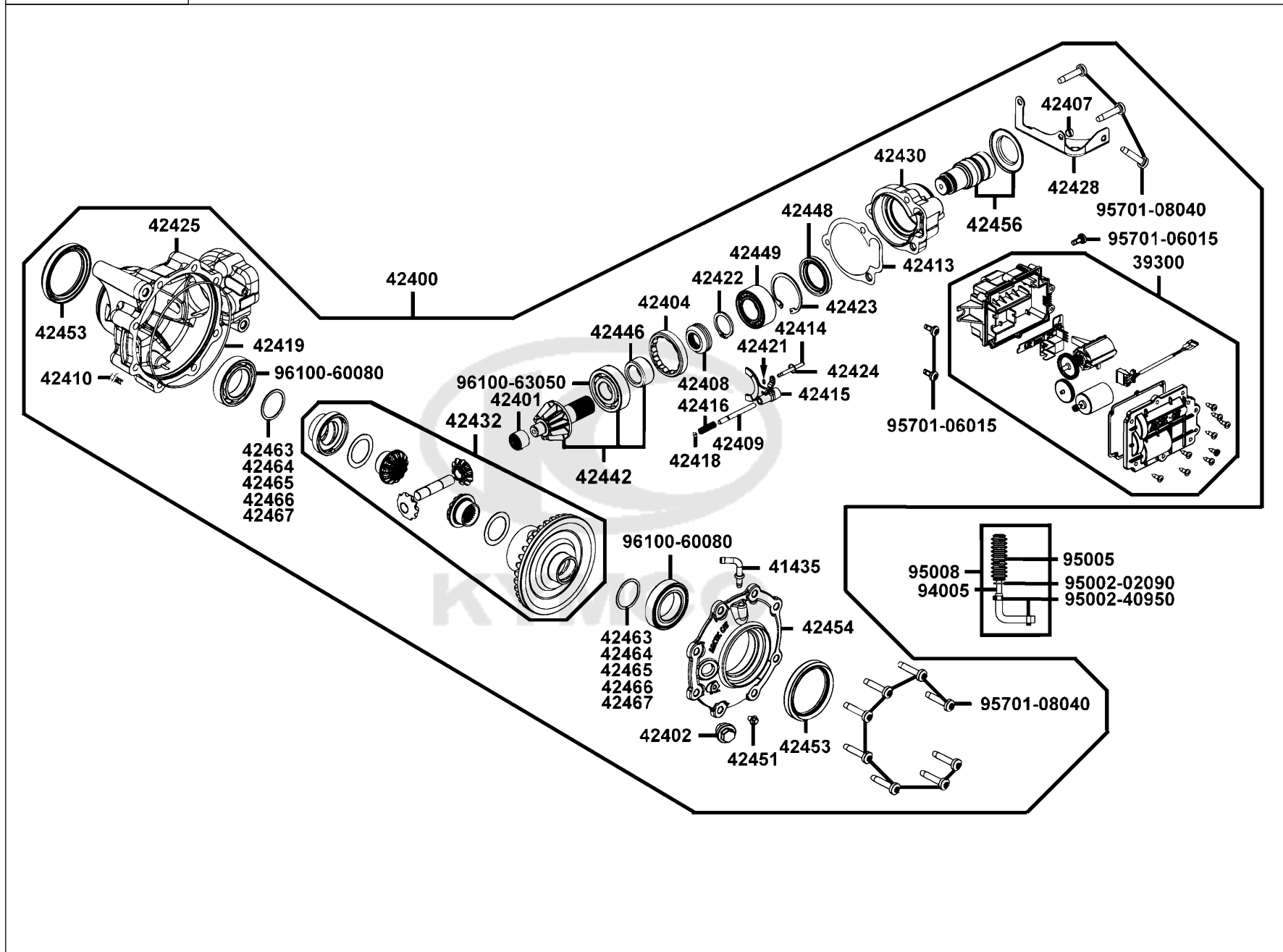
Sales mark	Ref no	Part no	Description	Reg description	Regd no	E08
24305		24305-PWB1-900	SPRING DRUM	SPRING DRUM	2	
24310		24310-PWB1-900	DRUM ASSY GEAR SHIFT	DRUM ASSY GEAR SHIFT	1	
24411		24411-PWB1-900	GEAR DRUM SHIFT	GEAR DRUM SHIFT	1	
24430		24430-PWB1-900	STOPPER COMP DRUM	STOPPER COMP DRUM	1	
24435		24435-PWB1-900	SPRING CAM STOPPER	SPRING CAM STOPPER	1	
24610		24610-PWB1-900	SPINDLE COMP DRUM SHIFT	SPINDLE COMP DRUM SHIFT	1	
2461A		2461A-PWB1-900	SPINDLE ASSY DRUM SHIFT	SPINDLE ASSY DRUM SHIFT	1	
90202		90202-PWB1-900	NUT DRIVE B GEAR M20X1.5	NUT DRIVE B GEAR M20X1.5	1	
90322		90322-PWB1-900	SHIM DRIVE BEVEL GEAR T=1.15MM	SHIM DRIVE BEVEL GEAR T=1.15MM	1	
90435		90435-HCB3-001	WASHER 6.1MM	WASHER 6.1MM	1	
90446		90446-PWB1-900	WASHER 25X32X1	WASHER 25X32X1	3	
90451		90451-LBA7-900	WASHER THRUST 20MM	WASHER THRUST 20MM	1	
90452		90452-LBA7-900	WASHER THRUST 25MM	WASHER THRUST 25MM	2	
90453		90453-1G07-001	WASHER THRUST 20M/M	WASHER THRUST 20M/M	1	
90454		90454-KED9-900	WASHER THRUST 20*1	WASHER THRUST 20*1	2	
90455		90455-LBA7-900	WASHER SPLINE 25MM	WASHER SPLINE 25MM	3	
90459		90459-PWB1-900	WASHER 12X20X1	WASHER 12X20X1	2	
90474		90474-7D04-000	WASHER 6*17*23	WASHER 6*17*23	1	
91021		91021-PWB1-90B	BRG NEEDLE KT30X35X12.8	BRG NEEDLE KT30X35X12.8	3	
94050		94050-06080	NUT FLANGE 6MM	NUT FLANGE 6MM	1	



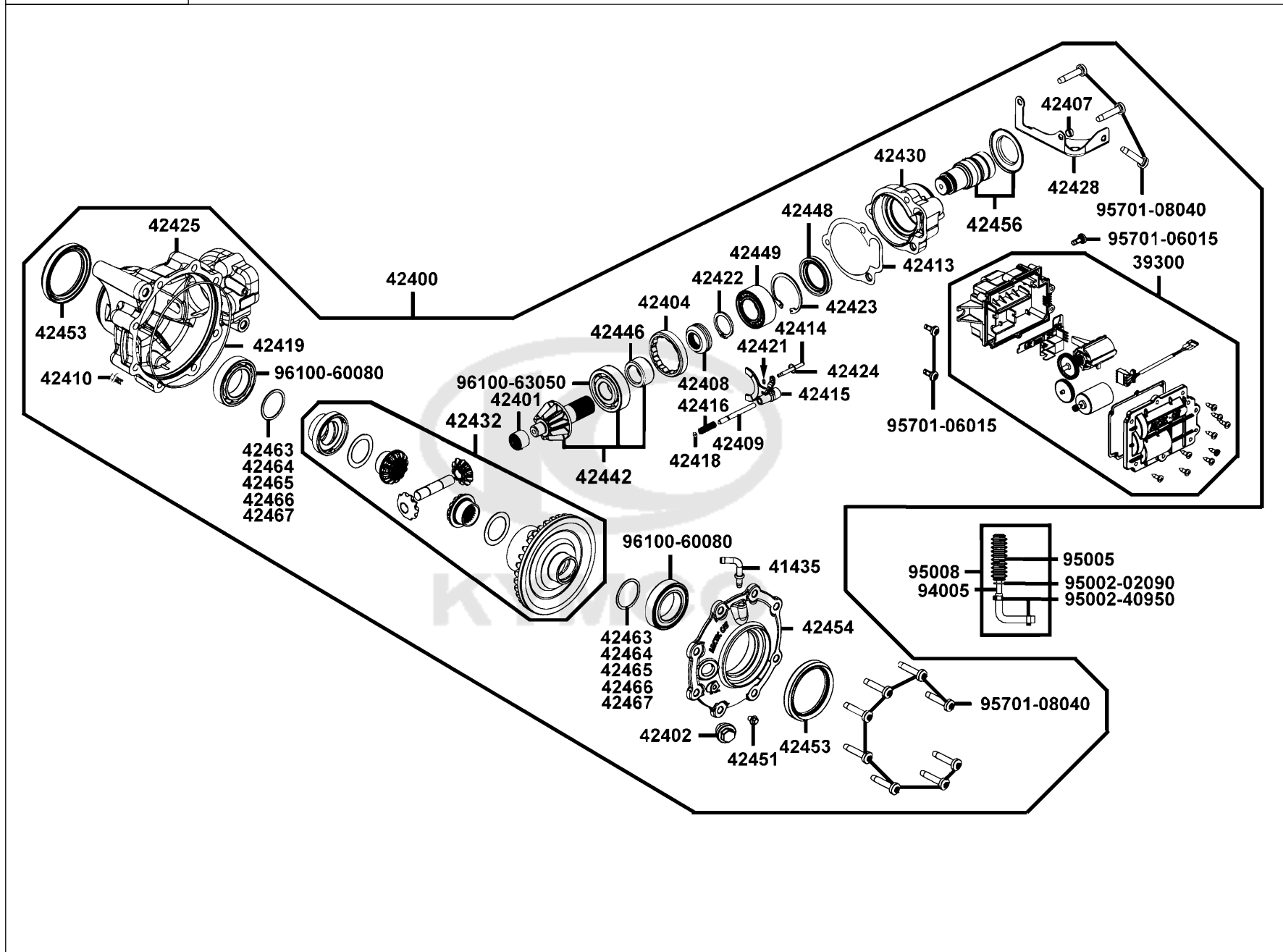


Sales mark	Ref no	Part no	Description	Reg description	Regd no	<b>E08</b>
	94510-12000	94510-12000	CIR CLIP EXTERNAL 12	CIR CLIP EXTERNAL 12	2	
	94510-25000	94510-25000	CIR CLIP EXTERNAL 25	CIR CLIP EXTERNAL 25	8	
	94611	94611-PWB1-900	CLIP DRUM SHAFT	CLIP DRUM SHAFT	1	
	95601	95601-PWB1-900	SUPPORT CAM STOPPER	SUPPORT CAM STOPPER	1	
#	95701	95701-06025-06	BOLT FLANGE 6*25	BOLT FLANGE 6*25	1	
	96220	96220-40080	ROLLER 4*8	ROLLER 4*8	1	





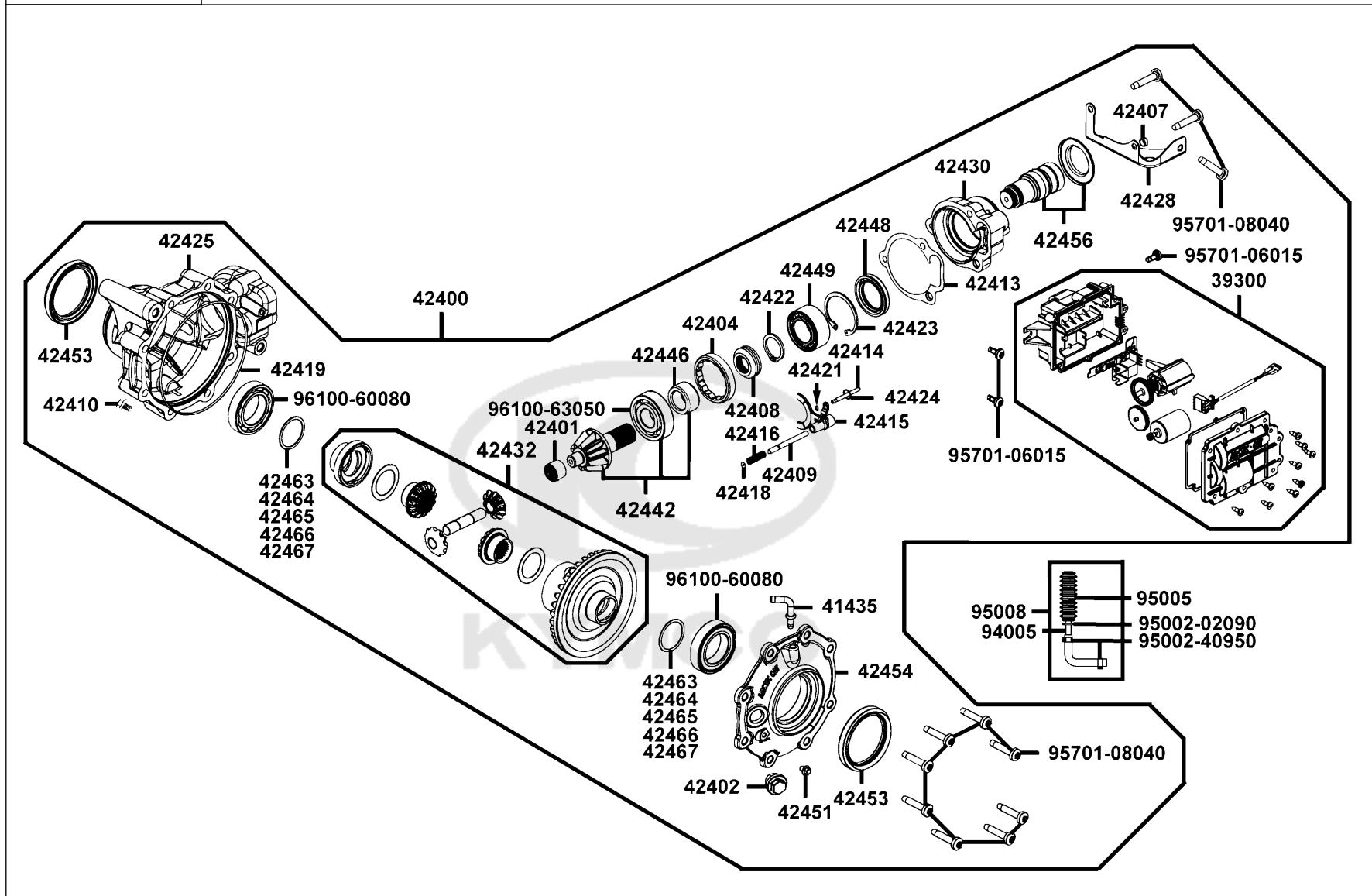
Sales mark	Ref no	Part no	Description	Reg description	Regd no	<b>E09</b>
	39300	39300-PWB1-900	2X 4X ACTUATOR ASM	2X 4X ACTUATOR ASM	1	
	41435	41435-PWB1-900	BARB 90	BARB 90	1	
	42400	42400-PWB1-900	EARCASE FRONT-ASSEMBLY	EARCASE FRONT-ASSEMBLY	1	
#	42401	42401-PWB1-900	BEARING NEEDLE(16NQ2316)	BEARING NEEDLE(16NQ2316)	1	
	42402	42402-PWB1-900	PLUG FULL	PLUG FULL	1	
	42404	42404-PWB1-900	COLLAR LOCK M64X1.5RH	COLLAR LOCK M64X1.5RH	1	
	42407	42407-PWB1-900	PIN DOWEL	PIN DOWEL	1	
	42408	42408-PWB1-900	COUPLE DRIVE	COUPLE DRIVE	1	
	42409	42409-PWB1-900	SHAFT.SHUTTLE	SHAFT.SHUTTLE	1	
	42410	42410-PWB1-900	PLUG DRAIN-MAG	PLUG DRAIN-MAG	1	
	42413	42413-PWB1-900	GASKET FLANGE	GASKET FLANGE	1	
	42414	42414-PWB1-900	SHAFT SELECTOR	SHAFT SELECTOR	1	
	42415	42415-PWB1-900	FORK SELECTOR	FORK SELECTOR	1	
	42416	42416-PWB1-900	SPRING RETURN-4WD	SPRING RETURN-4WD	1	
	42418	42418-PWB1-900	O-RING 3X2MM	O-RING 3X2MM	1	
	42419	42419-PWB1-900	O-RING 150X2MM	O-RING 150X2MM	1	
	42421	42421-PWB1-900	RING RETAINING-EXT 4	RING RETAINING-EXT 4	1	
	42422	42422-PWB1-900	RING RETAINING ONE	RING RETAINING ONE	1	
	42423	42423-PWB1-900	RING RETAINING	RING RETAINING	1	
	42424	42424-PWB1-900	O-RING ACTUATOR	O-RING ACTUATOR	1	



Sales mark	Ref no	Part no	Description	Reg description	Regd no	<b>E09</b>
	42425	42425-PWB1-900	HOUSING GEARCASE-FRONT MACH	HOUSING GEARCASE-FRONT MACH	1	
	42428	42428-PWB1-900	BRACKET ACTUATOR-WELDMENT	BRACKET ACTUATOR-WELDMENT	1	
	42430	42430-PWB1-900	HOUSING PINION-MACH	HOUSING PINION-MACH	1	
	42432	42432-PWB1-900	GEAR(34 TOOTH 3 1)	GEAR(34 TOOTH 3 1)	1	
	42442	42442-PWB1-900	PINION(10 TOOTH)-ASSEMBLY	PINION(10 TOOTH)-ASSEMBLY	1	
	42446	42446-PWB1-900	COLLAR RETAINING	COLLAR RETAINING	1	
	42448	42448-PWB1-900	SEAL 38X55X14	SEAL 38X55X14	1	
#	42449	42449-PWB1-900	BEARING BALL-DOUBLE ROW	BEARING BALL-DOUBLE ROW	1	
	42451	42451-PWB1-900	PLUG OIL LEVEL	PLUG OIL LEVEL	1	
	42453	42453-PWB1-900	SEAL 67X84X9	SEAL 67X84X9	2	
	42454	42454-PWB1-900	COVER GEARCASE-FRONT MACH	COVER GEARCASE-FRONT MACH	1	
	42456	42456-PWB1-900	SHAFT INPUT-ASSEMBLY	SHAFT INPUT-ASSEMBLY	1	
	42463	42463-PWB1-900	SHIM 41*49*1.3	SHIM 41*49*1.3	2	
	42464	42464-PWB1-900	SHIM 41*49*1.4	SHIM 41*49*1.4	2	
	42465	42465-PWB1-900	SHIM 41*49*1.5	SHIM 41*49*1.5	2	
	42466	42466-PWB1-900	SHIM 41*49*1.6	SHIM 41*49*1.6	2	
	42467	42467-PWB1-900	SHIM 41*49*1.7	SHIM 41*49*1.7	2	
	94005	94005-PWB1-900	HOSE BARB INTAKE MANIFOLD	HOSE BARB INTAKE MANIFOLD	1	
	95002-02090	95002-02090	CLIP B9 TUBE	CLIP B9 TUBE	1	
	95002-40950	95002-40950-08	CLAMP D9.5 TUBE	CLAMP D9.5 TUBE	2	

E09

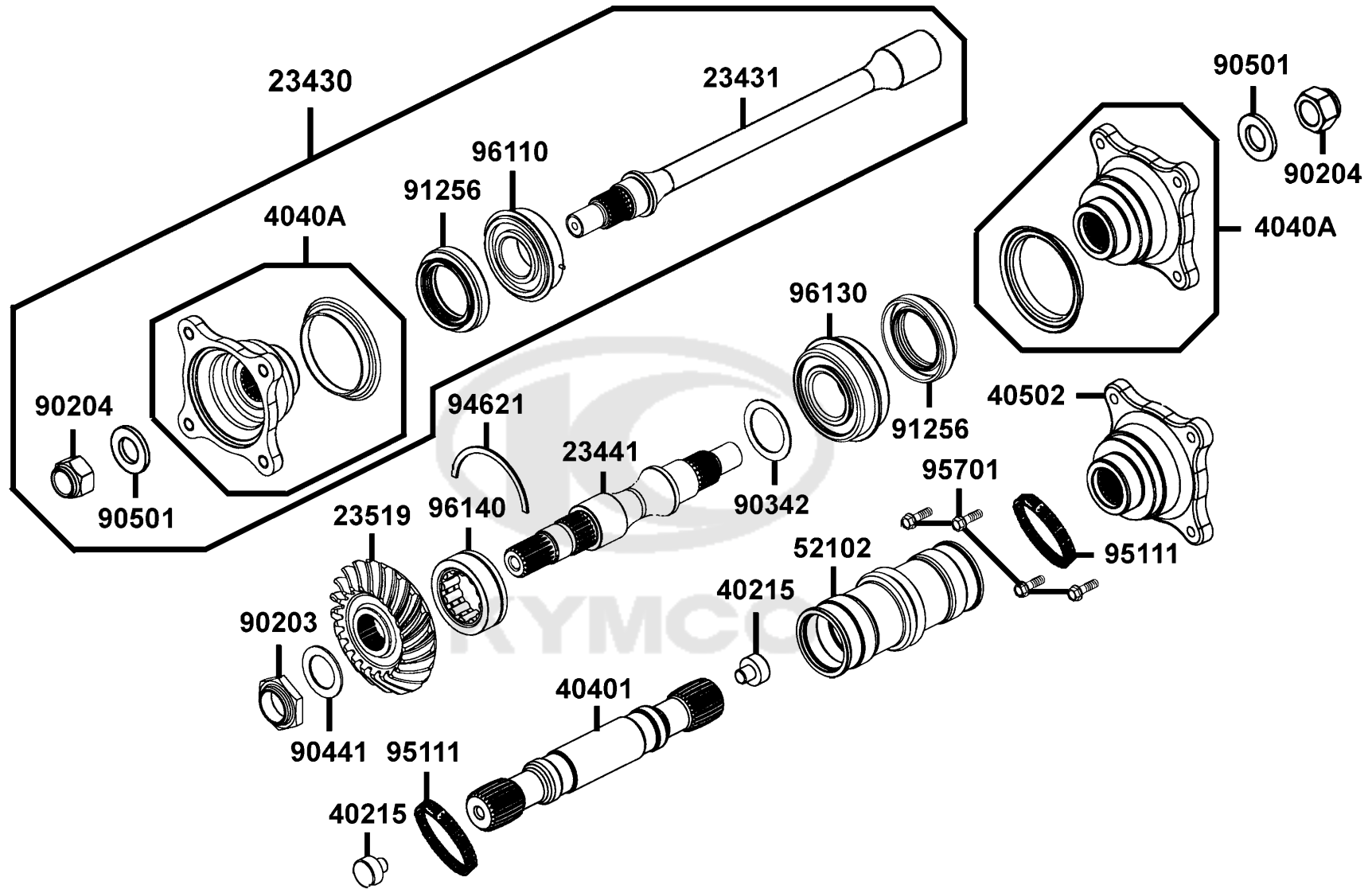
# Gear Case Front



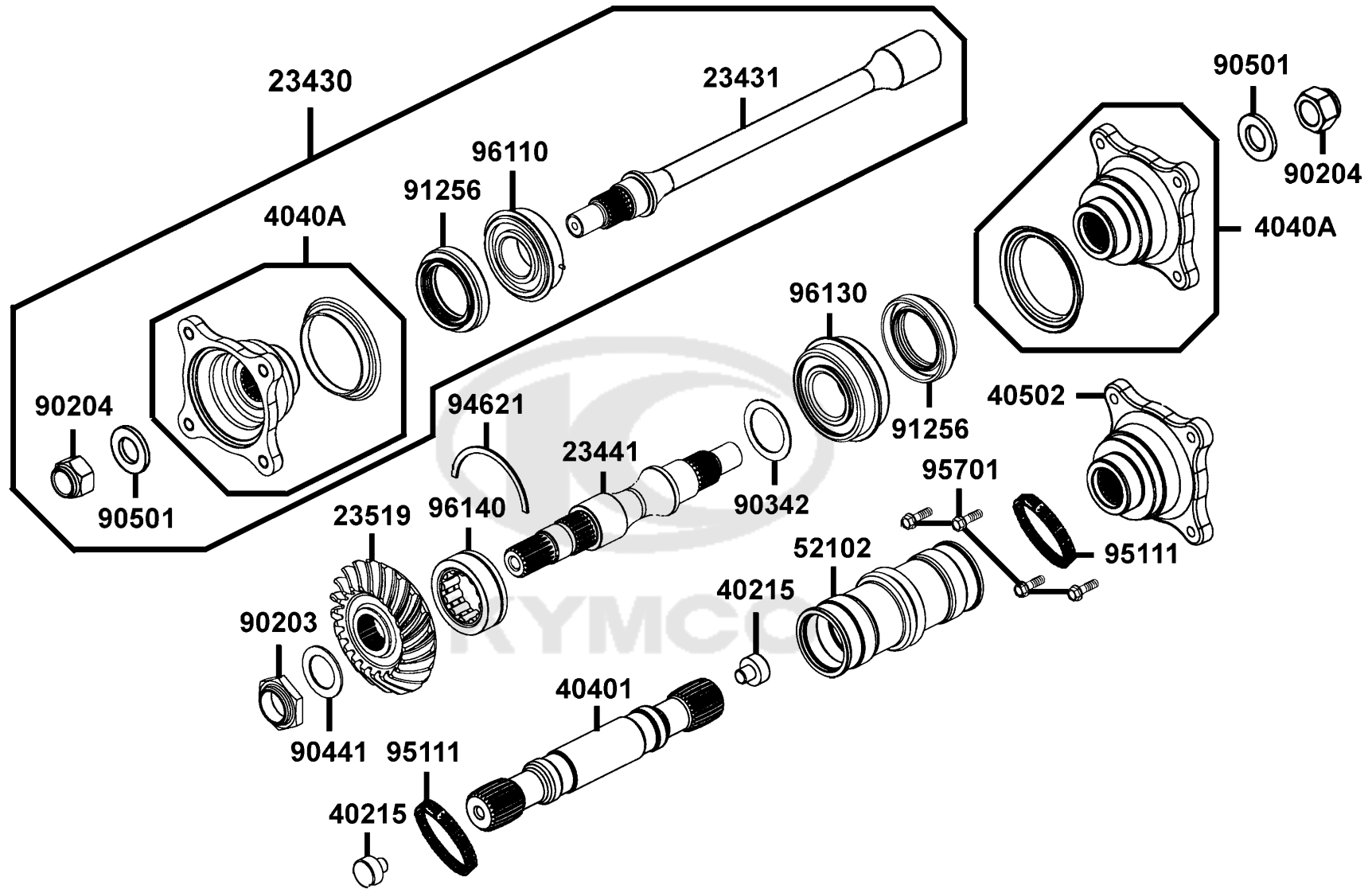
Sales mark	Ref no	Part no	Description	Reg description	Regd no	<b>E09</b>
	95005	95005-PWB1-900	BREATH TUBE RR GEAR ASSY	BREATH TUBE RR GEAR ASSY	1	
	95008	95008-PWB1-900	HOSE VENT-GEARCASE (64mm)	HOSE VENT-GEARCASE (64mm)	1	
	95701-06015	95701-06015-08	BOLT FLANGE 6*15 (C)	BOLT FLANGE 6*15 (C)	3	
#	95701-08040	95701-08040-06	BOLT FLANGE 8x40 (G)	BOLT FLANGE 8x40 (G)	1	
	96100-60080	96100-60080-00	BRG RADIAL BALL 6008	BRG RADIAL BALL 6008	2	
	96100-63050	96100-63050-00	BRG BALL RADIAL 6305	BRG BALL RADIAL 6305	1	







Sales mark	Ref no	Part no	Description	Reg description	Regd no	E10
	23430	23430-PWB1-900	SHAFT ASSY FINAL DRIVEN FR	SHAFT ASSY FINAL DRIVEN FR	1	
	23431	23431-PWB1-900	SHAFT FINAL DRIVEN FRONT	SHAFT FINAL DRIVEN FRONT	1	
	23441	23441-PWB1-900	SHAFT FINAL DRIVEN REAR	SHAFT FINAL DRIVEN REAR	1	
	23519	23519-PWB1-900	BEVEL GEAR DRIVEN	BEVEL GEAR DRIVEN	1	
	40215	40215-PWB1-900	BUMPER DRIVESHAFT	BUMPER DRIVESHAFT	2	
	40401	40401-PWB1-900	SHAFT PROPELLER FRONT	SHAFT PROPELLER FRONT	1	
	4040A	4040A-PWB1-900	COUPLING REAR OUTPUT SHAFT	COUPLING REAR OUTPUT SHAFT	2	
	40502	40502-PWB1-900	FLANGE OUTPUT	FLANGE OUTPUT	1	
	52102	52102-PWB1-900	BOOT COUPLER-FRONT	BOOT COUPLER-FRONT	1	
	90203	90203-PWB1-900	NUT DRIVEN B GEAR M22X1.5	NUT DRIVEN B GEAR M22X1.5	1	
#	90204	90204-PWB1-910	NUT HEX SHOULDER (M16X1.5)	NUT HEX SHOULDER (M16X1.5)	1	
	90342	90342-PWB1-900	SHIM DRIVEN BEVEL GEAR T=1.15MM	SHIM DRIVEN BEVEL GEAR T=1.15MM	1	
	90441	90441-LBA2-E00	WASHER 22*34*2.5	WASHER 22*34*2.5	1	
#	90501	90443-KKE5-E00	WASHER 16mm	WASHER 16mm	1	
	91256	91256-PWB1-900	OIL SEAL 34X52X9	OIL SEAL 34X52X9	2	
	94621	94621-PWB1-900	RING DRIVEN BEARING	RING DRIVEN BEARING	1	
	95111	95111-PWB1-900	CLAMP BOOT	CLAMP BOOT	2	
	95701	95701-08020-06	BOLT FLANGE 8*20	BOLT FLANGE 8*20	4	
	96110	96110-PWB1-900	BRG BALL SNAP 25X52X15	BRG BALL SNAP 25X52X15	1	
	96130	96130-PWB1-900	BEARING BALL D/R 25X52X20.6	BEARING BALL D/R 25X52X20.6	1	



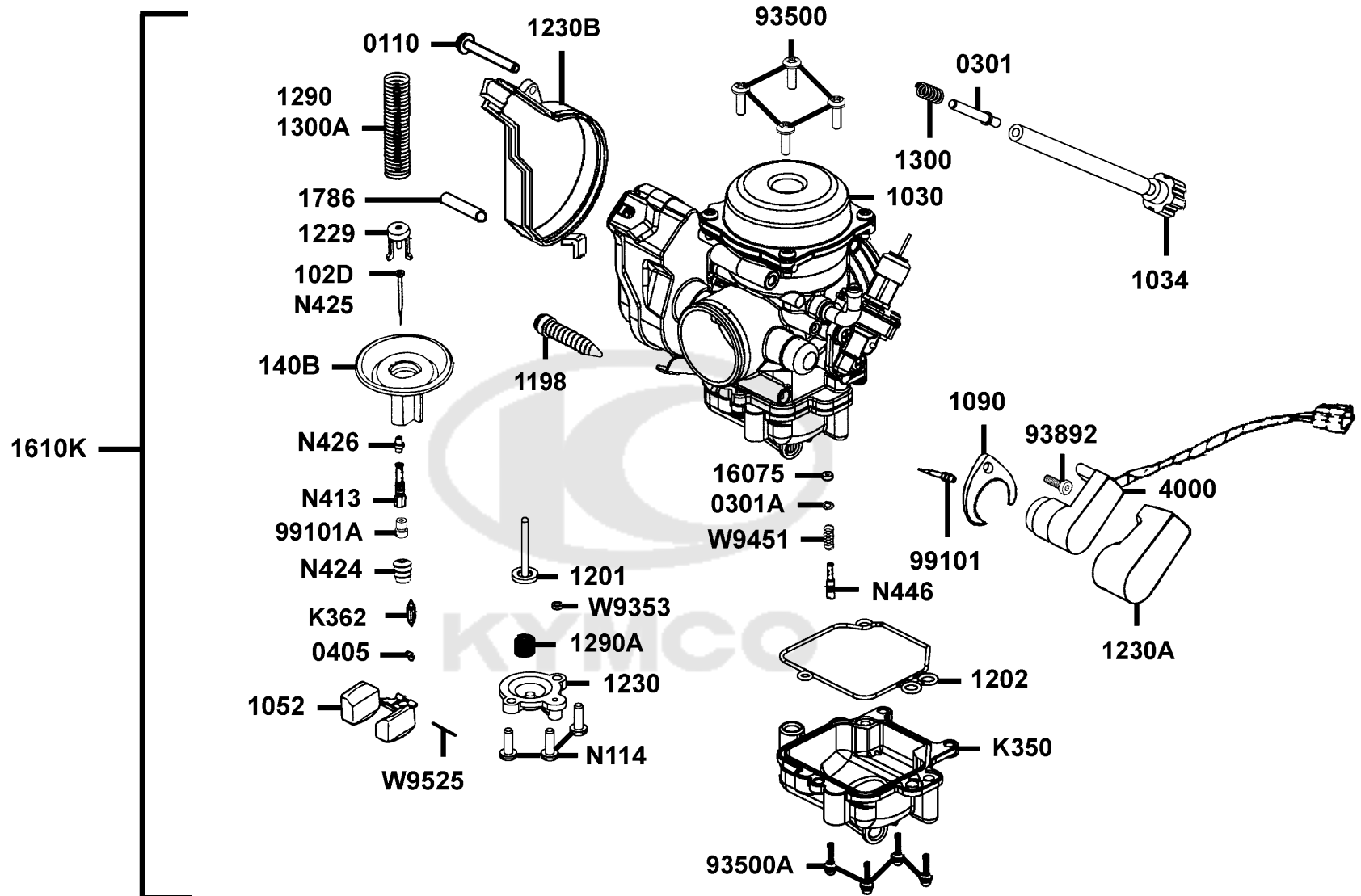
Sales mark	Ref no	Part no	Description	Reg description	Regd no	<b>E10</b>
------------	--------	---------	-------------	-----------------	---------	------------

96140	96140-PWB1-900	96140-PWB1-900	BRG ROLLER 30X50X17	BRG ROLLER 30X50X17	1	
-------	----------------	----------------	---------------------	---------------------	---	--



E11

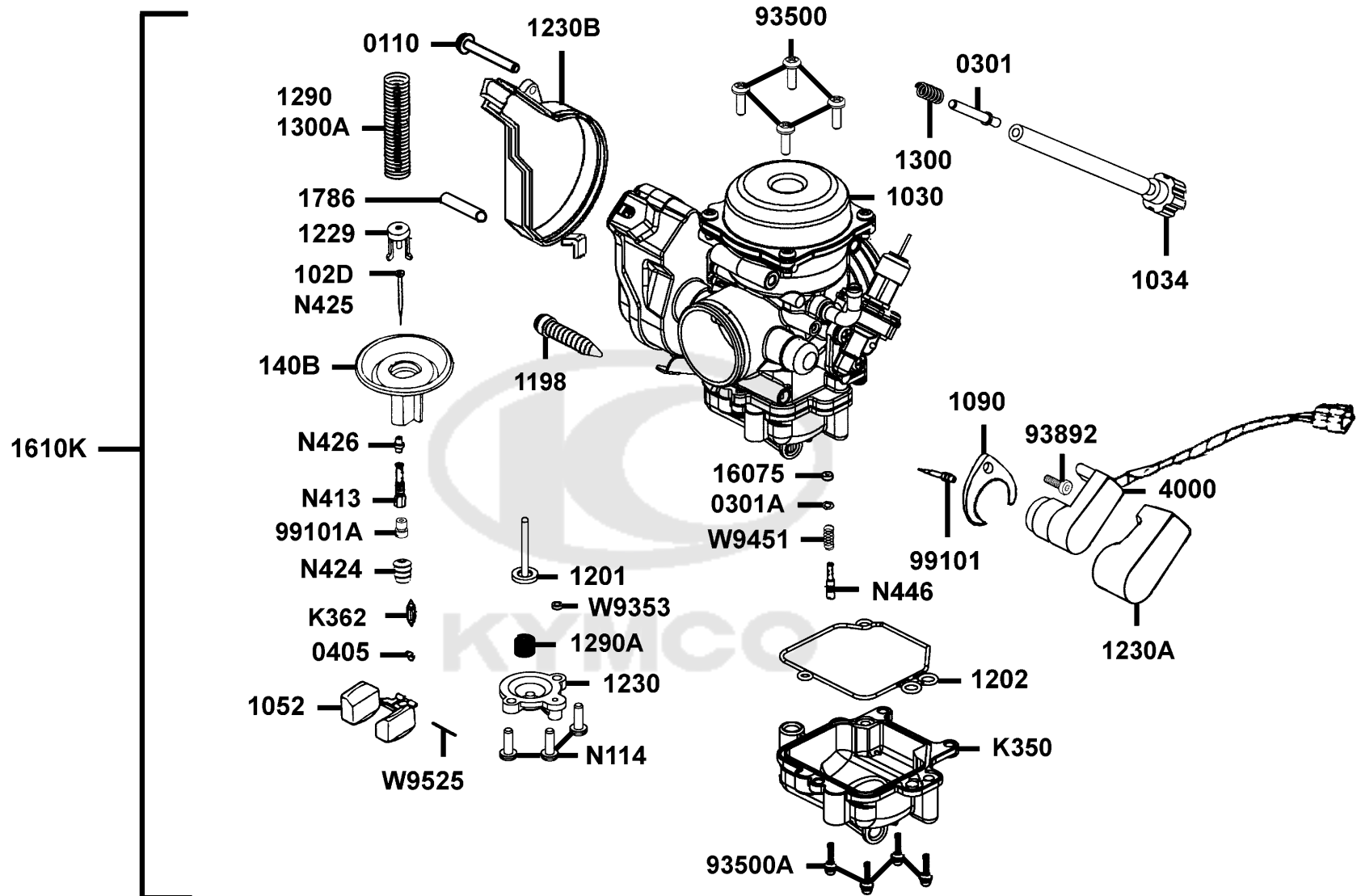
Carburetor



Sales mark	Ref no	Part no	Description	Reg description	Regd no	E11
	0110	0110-803-1100	SCREW PAN	SCREW PAN	1	
	0301	0301-800-2000	WASHER	WASHER	1	
	0301A	0301-803-2000	PLAIN WASHER	PLAIN WASHER	1	
	0405	0405-019-1000	CLIP	CLIP	1	
#	102D	102D-A01S-0000	JET NEEDLE	JET NEEDLE	1	
	1030	1030-905-2100	TOP COMP	TOP COMP	1	
	1034	1034-868-2400	STOP SCREW	STOP SCREW	1	
	1052	1052-829-2100	FLOAT COMP	FLOAT COMP	1	
	1090	1090-872-2000	SET PLATE	SET PLATE	1	
	1198	1198-816-2000-3	DRAIN SCREW	DRAIN SCREW	1	
	1201	1201-869-2100	DIAPHRAGM COMP	DIAPHRAGM COMP	1	
	1202	1202-855-6000	CHAMBER GASKET	CHAMBER GASKET	1	
	1229	1229-801-7000	SPG SEAT	SPG SEAT	1	
	1230	1230-842-2000	COVER	COVER	1	
	1230A	1230-862-7001	COVER	COVER	1	
#	1230B	1230-922-7000	COVER	COVER	1	
#	1290	1290-945-2000	COIL SPG	COIL SPG	1	
	1290A	1290-A60-2000	COIL SPG	COIL SPG	1	
	1300	1300-196-2001	COIL SPG	COIL SPG	1	
#	1300A	1300-A15C-0000	SPG COMP R	SPG COMP R	1	

E11

Carburetor

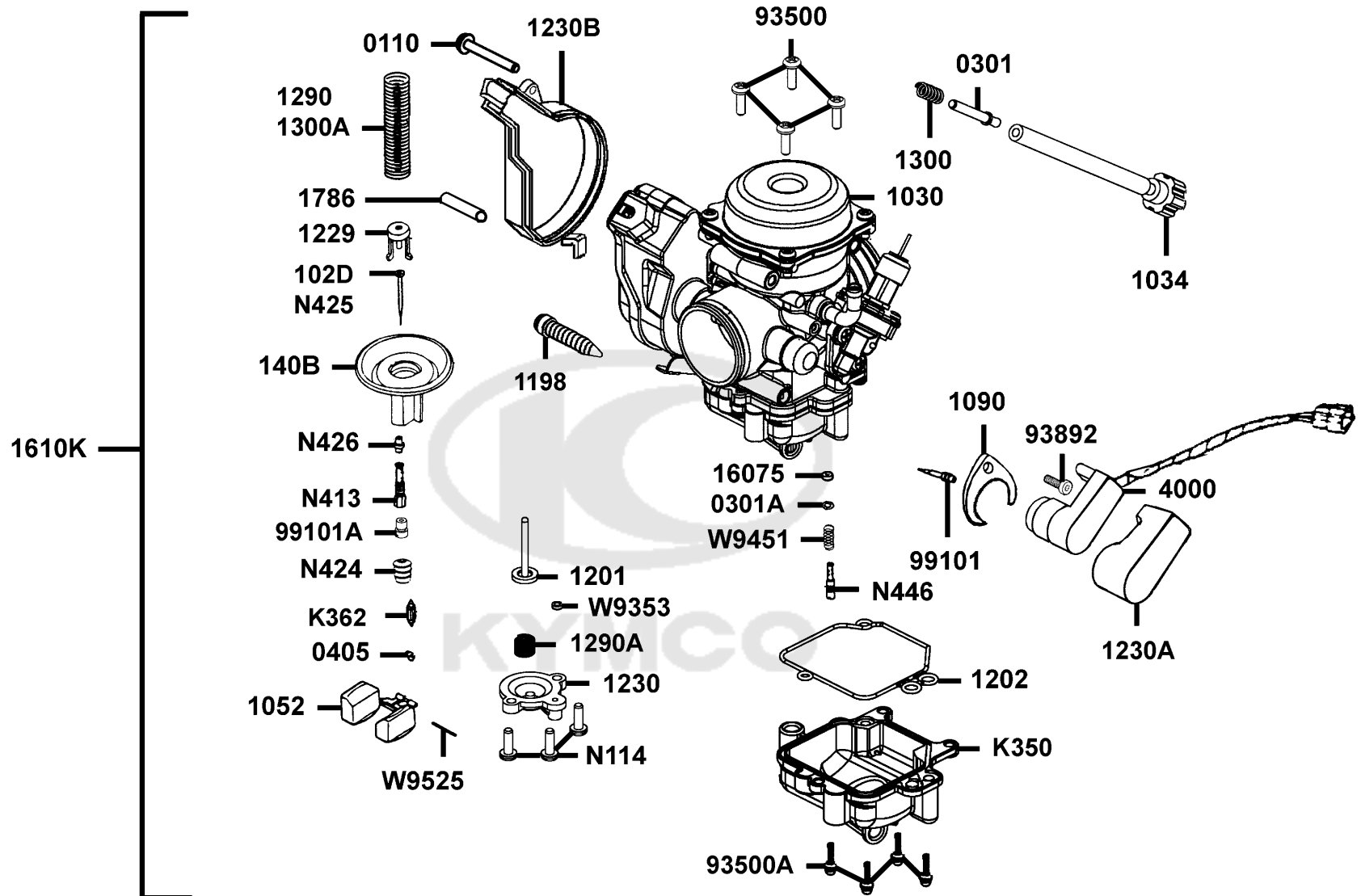


Sales mark	Ref no	Part no	Description	Reg description	Regd no	E11
	140B	140B-A15C-0000	VALVE ASSY PISTON	VALVE ASSY PISTON	1	
	16075	16075-KG8-9010-M1	O-RING	O-RING	1	
#	1610K	1610K-PWB1-911	CARBURETOR ASSY	CARBURETOR ASSY	1	
	1786	1786-A15C-0001	PIPE	PIPE	1	
	4000	4000-319-0000	AUTO BY-STARTER ASSY	AUTO BY-STARTER ASSY	1	
	93500	93500-04008-1H-3	SCREW PAN	SCREW PAN	4	
	93500A	93500-04014-1H-3	SCREW PAN	SCREW PAN	4	
#	93892	93892-04008-16	SCREW WASHER 4*8	SCREW WASHER 4*8	1	
	99101	99101-393-0750	MAIN JET #75	MAIN JET #75	1	
	99101A	99101-393-1200	MAIN JET #120	MAIN JET #120	1	
#	K350	K350-186-0100-3	CHAMBER ASSY FLOAT	CHAMBER ASSY FLOAT	1	
	K362	K362-186-0100	FLOAT VALVE COMP	FLOAT VALVE COMP	1	
	N114	N114-04103	WASHER SCREW	WASHER SCREW	3	
	N413	N413-03C00	NEEDLE JET HOLDER	NEEDLE JET HOLDER	1	
	N424	N424-25B38	SLOW JET	SLOW JET	1	
#	N425	N425-LGB00	JET NEEDLE COMP	JET NEEDLE COMP	1	
	N426	N426-01A40	JET NEEDLE	JET NEEDLE	1	
	N446	N446-45A00	P.S	P.S	1	
	W9353	W9353-36000	U RING	U RING	1	
	W9451	W9451-03212	COIL SPG	COIL SPG	1	



E11

Carburetor



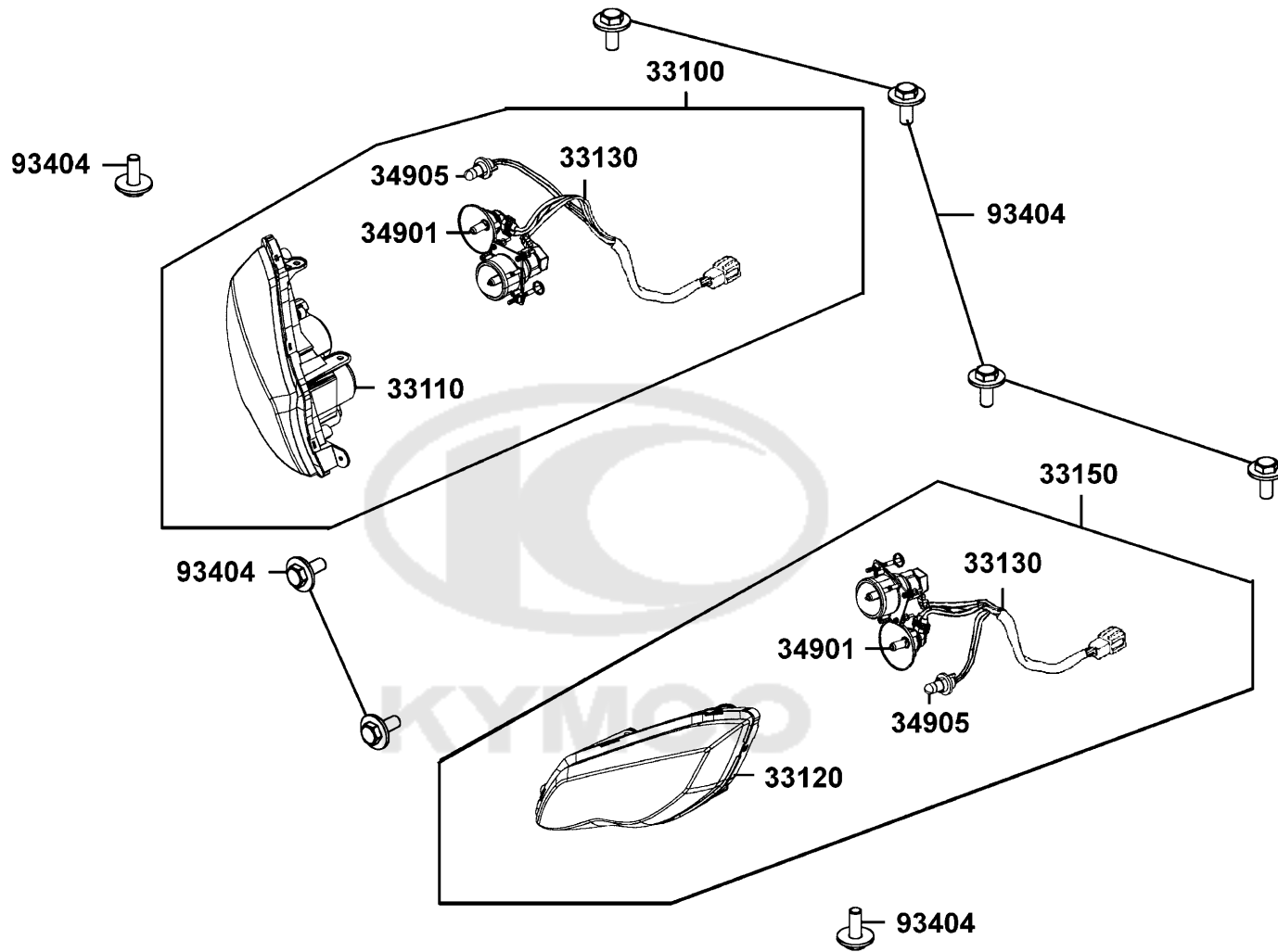
Sales mark	Ref no	Part no	Description	Reg description	Regd no	<b>E11</b>
------------	--------	---------	-------------	-----------------	---------	------------

W9525	W9525-25250	ARM PIN	ARM PIN		1	
-------	-------------	---------	---------	--	---	--



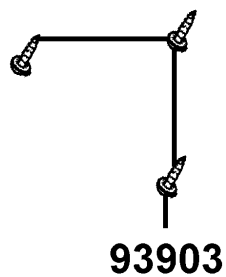
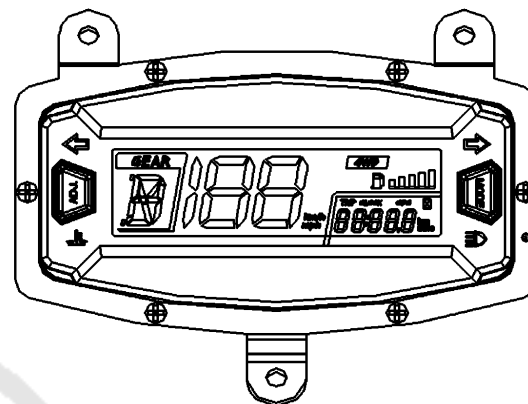
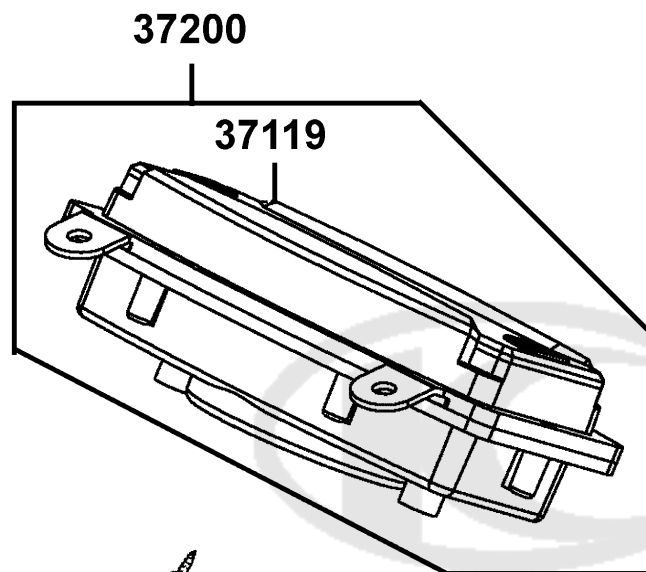
F01

Head Light



Sales mark	Ref no	Part no	Description	Reg description	Regd no	<b>F01</b>
	33100	33100-LGN5-900	LIGHT ASSY R HEAD	LIGHT ASSY R HEAD	1	
	33110	33110-LGN5-E00	UNIT HEAD LIGHT R	UNIT HEAD LIGHT R	1	
	33120	33120-LGN5-E00	UNIT HEAD LIGHT L	UNIT HEAD LIGHT L	1	
	33130	33130-LGN5-900	SOCKET COMP	SOCKET COMP	2	
	33150	33150-LGN5-900	LIGHT ASSY L HEAD	LIGHT ASSY L HEAD	1	
	34901	34901-KGB5-M30	BULB HEAD LIGHT	BULB HEAD LIGHT	2	
	34905	34905-LCA5-E00	BULB WINKER	BULB WINKER	2	
	93404	93404-06016-06	BOLT WASHER 6*16	BOLT WASHER 6*16	8	





KYMCO

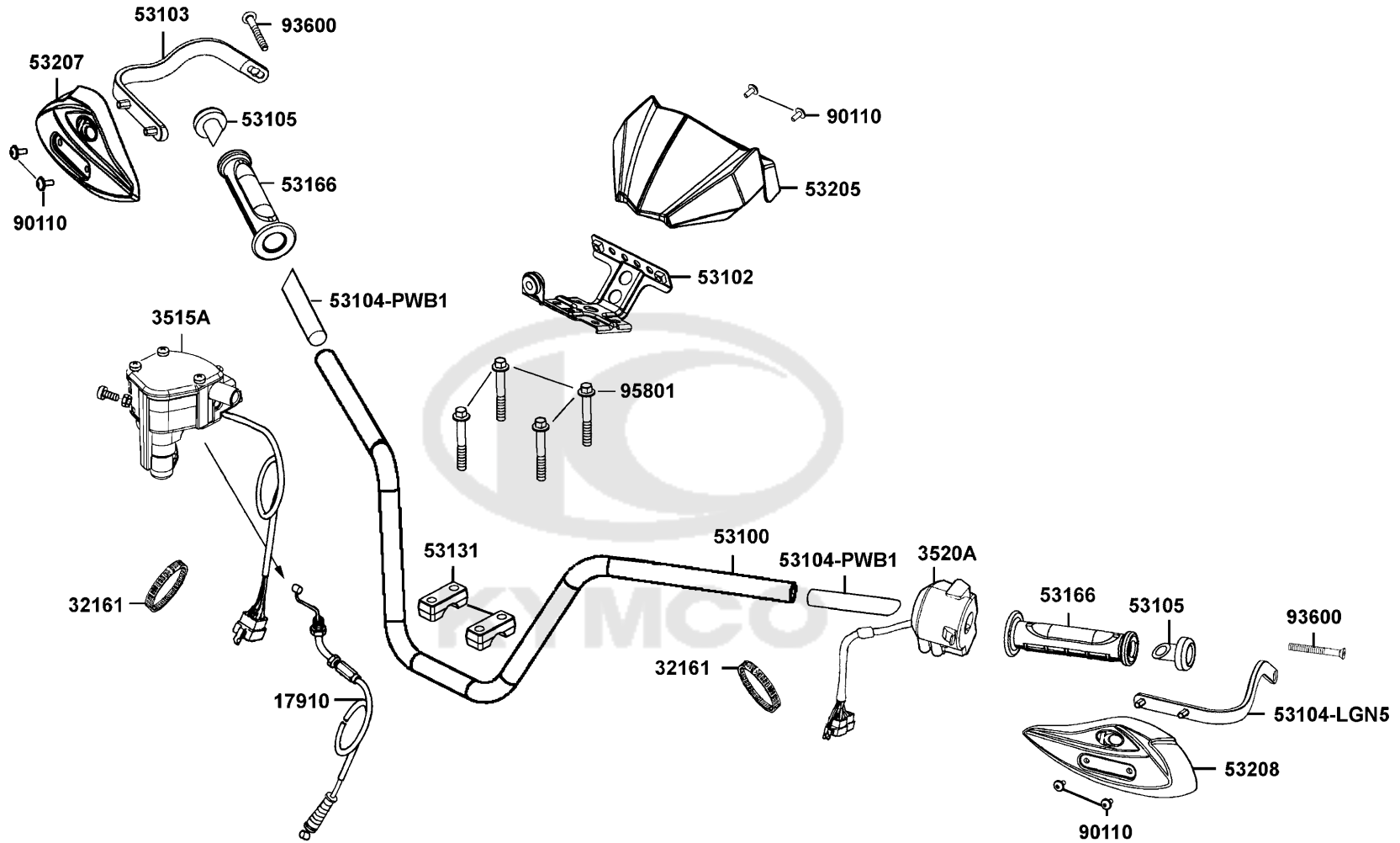
Sales mark	Ref no	Part no	Description	Reg description	Regd no	<b>F02</b>
------------	--------	---------	-------------	-----------------	---------	------------

	37119	37119-LGN5-900	LENS ASSY	LENS ASSY	1	
	37200	37200-LGN5-900	DIGITAL GAUGE	DIGITAL GAUGE	1	
#	93903	93903-35360	SCREW TAPPING 5*16	SCREW TAPPING 5*16	3	



F03

Tube Handlebar

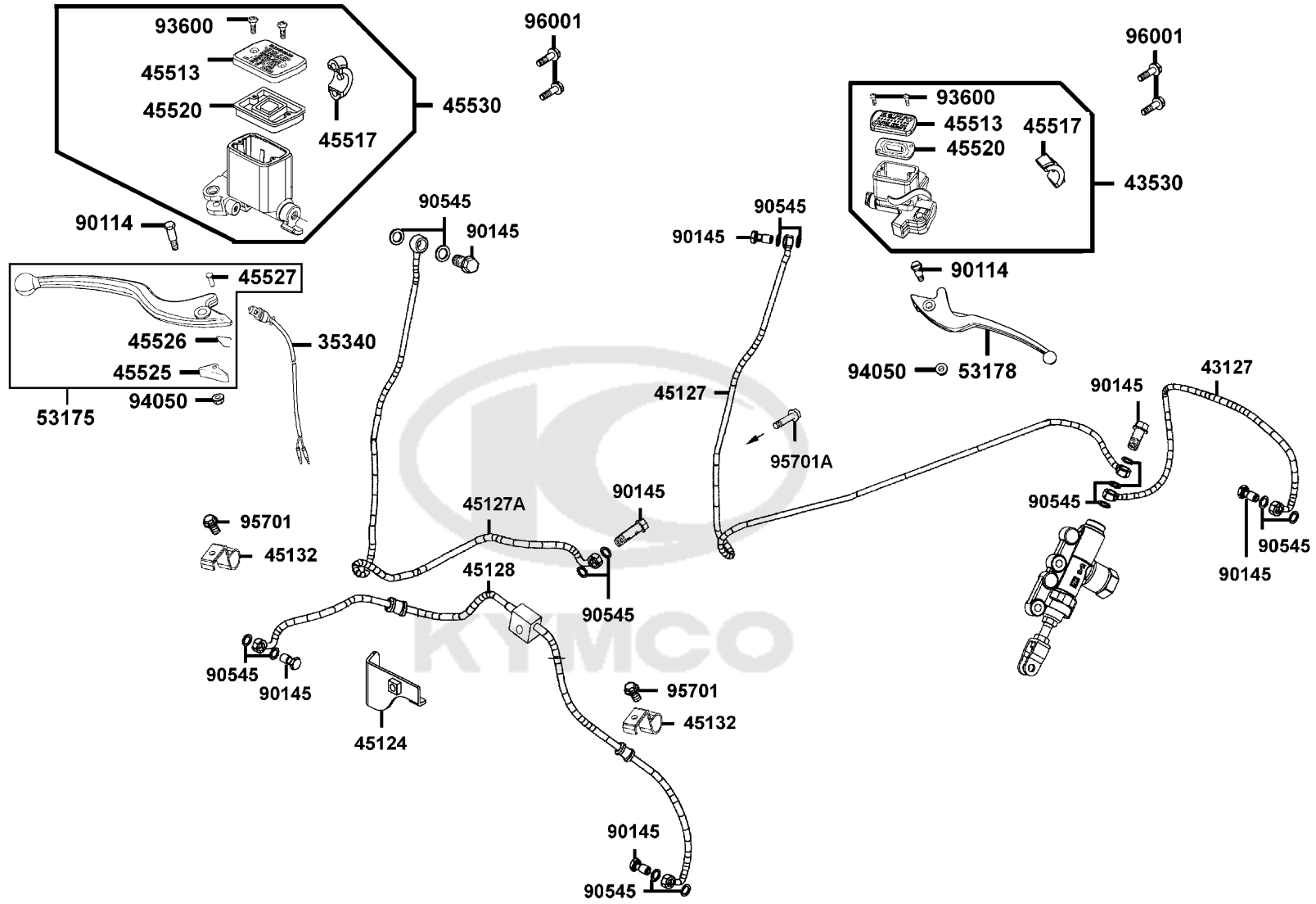


Sales mark	Ref no	Part no	Description	Reg description	Regd no	F03
	17910	17910-LFA5-E00	CABLE COMP THROT	CABLE COMP THROT	1	
	32161	32161-4D04-001	BAND BI WIRE	BAND BI WIRE	2	
	3515A	3515A-LDB5-E00	SW & THROT ASSY RH HNDL	SW & THROT ASSY RH HNDL	1	
	3520A	3520A-PWB1-900	SW ASSY HANDLE COMP	SW ASSY HANDLE COMP	1	
	53100	53100-LGN5-900	HANDLEBAR	HANDLEBAR	1	
	53102	53102-LGN5-E00	STAY HANDLE COVER	STAY HANDLE COVER	1	
	53103	53103-LGN5-E00	STAY. HAND PROTECTOR R	STAY. HAND PROTECTOR R	1	
	53104-LGN5	53104-LGN5-E00	STAY. HAND PROTECTOR L	STAY. HAND PROTECTOR L	1	
	53104-PWB1	53104-PWB1-900	PLUG HANDLEBAR	PLUG HANDLEBAR	2	
	53105	53105-LGN5-E00	END. HANDLEBAR-BLACK	END. HANDLEBAR-BLACK	2	
	53131	53131-PWB1-900	CAP STEERING ADJUSTER	CAP STEERING ADJUSTER	2	
	53166	53166-LGN5-E00	GRIP HANDLEBAR	GRIP HANDLEBAR	2	
**	53205	53205-LGN5-E00	COVER HANDLE	COVER HANDLE	1	
**	53207	53207-LGN5-E00	PROTECTOR.R HANDLE	PROTECTOR.R HANDLE	1	
**	53208	53208-LGN5-E00	PROTECTOR.L HANDLE	PROTECTOR.L HANDLE	1	
	90110	90110-PWA2-900	BOLT SPECIAL 6*16	BOLT SPECIAL 6*16	6	
	93600	93600-LGN5-E00	SCREW FLAT 8x70	SCREW FLAT 8x70	2	
#	95801	95801-08055-06	BOLT FLANGE 8*55	BOLT FLANGE 8*55	1	



F04

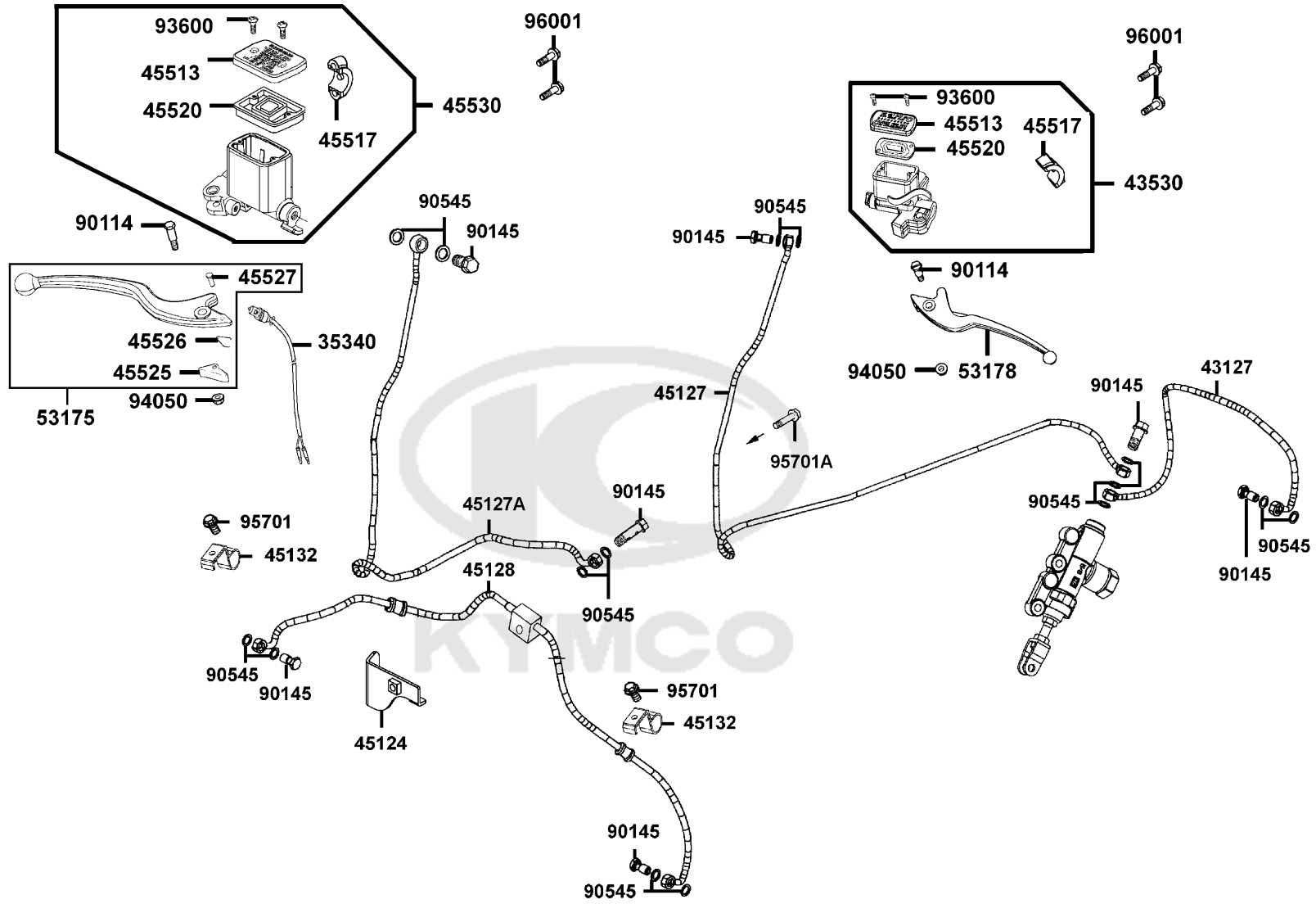
# Master Cylinder




Sales mark	Ref no	Part no	Description	Reg description	Regd no	F04
	35340	35340-LDB5-900	SW ASSY FR STOP	SW ASSY FR STOP	1	
	43127	43127-LFA5-E00	HOSE BRAKE SECONDARY	HOSE BRAKE SECONDARY	1	
	43530	43530-LGN5-305	CYLINDER SET MASTER	CYLINDER SET MASTER	1	
	45124	45124-PWB1-900	STAY THREE WAY JUNCTION	STAY THREE WAY JUNCTION	1	
	45127	45127-LGN5-900	HOSE . BRAKE LHM/C-FOOT M/C	HOSE . BRAKE LHM/C-FOOT M/C	1	
	45127A	45127-PWB1-900	HOSE BRAKE-MC/JUNCTION	HOSE BRAKE-MC/JUNCTION	1	
	45128	45128-PWB1-600	HOSE FR BRAKE (JUNCTION-C/P)	HOSE FR BRAKE (JUNCTION-C/P)	1	
	45132	45132-LBA7-900	CLAMPER FR BRAKE HOSE	CLAMPER FR BRAKE HOSE	2	
	45513	45513-KKC4-900	CAP M/C	CAP M/C	2	
	45517	45517-KFAF-910	HOLDER M/C	HOLDER M/C	2	
	45520	45520-KKC4-900	DIAPHRAGM	DIAPHRAGM	2	
	45525	45525-LBA7-900	STOPPER	STOPPER	1	
	45526	45526-LBA7-900	SPRING	SPRING	1	
	45527	45527-LBA7-900	PIN PARK	PIN PARK	1	
	45530	45530-LDB5-305	CYLINDER SET FR	CYLINDER SET FR	1	
#	53175	53175-LFA5-305	LEVER SET BRK	LEVER SET BRK	1	
**	53178	53178-KFC8-E10	LEVER L STRG HNDL	LEVER L STRG HNDL	1	
	90114	90114-1F66-007	BOLT HANDLE LEVER	BOLT HANDLE LEVER	2	
	90145	90145-MKS9-61A	OIL BOLT 10*22	OIL BOLT 10*22	5	
	90545	90545-3L00-001	WASHER OIL BOLT	WASHER OIL BOLT	10	

F04

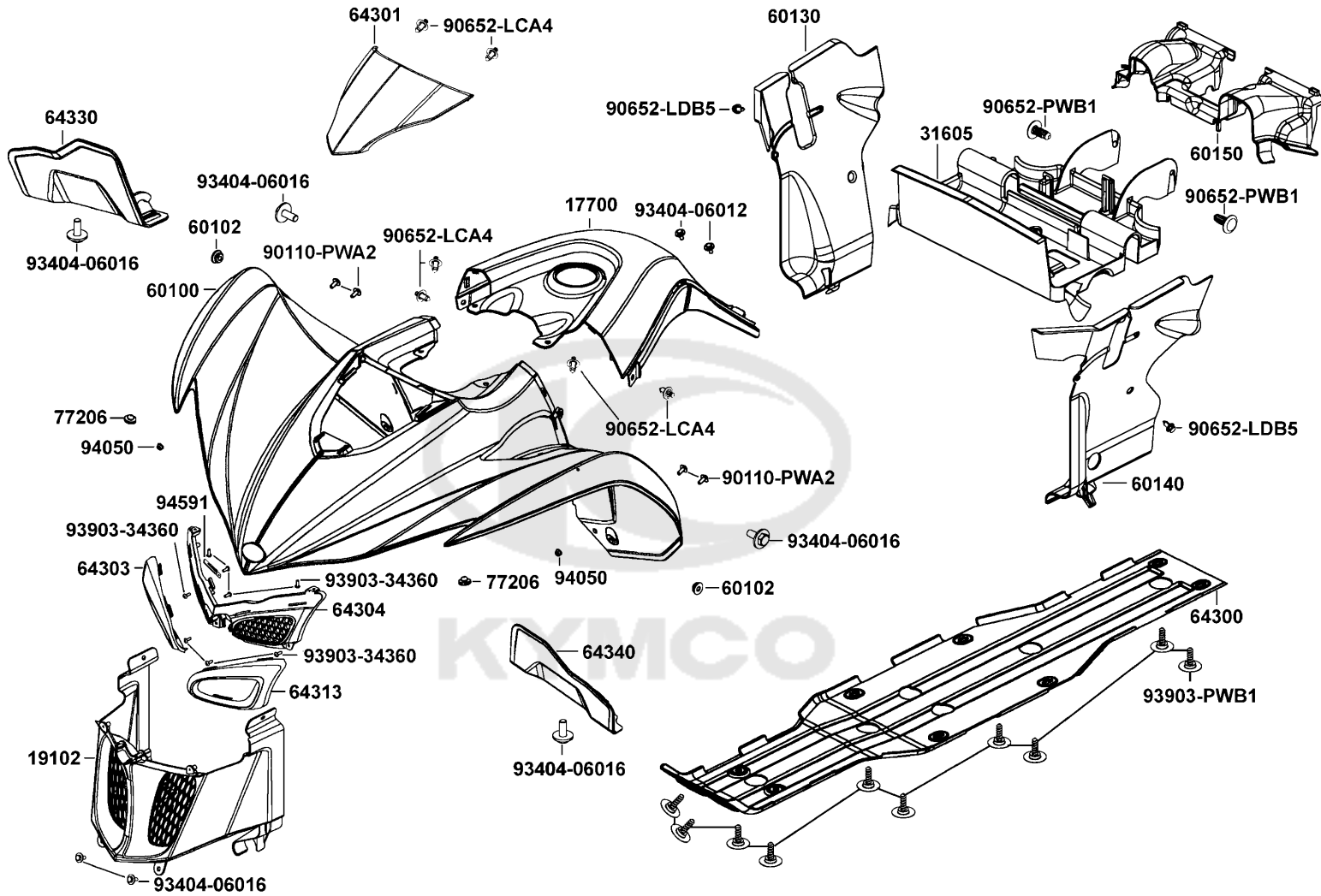
# Master Cylinder



Sales mark	Ref no	Part no	Description	Reg description	Regd no	<b>F04</b>
93600		93600-04012-1G	SCREW FLAT 4*12	SCREW FLAT 4*12	4	
94050		94050-06060	NUT FLANGE 6MM	NUT FLANGE 6MM	2	
95701		95701-06012-06	BOLT FLANGE 6*12	BOLT FLANGE 6*12	2	
95701A		95701-06030-06	BOLT FLANGE 6*30 (G)	BOLT FLANGE 6*30 (G)	1	
96001		96001-06022-06	BOLT FLANGE SH 6*22 (G)	BOLT FLANGE SH 6*22 (G)	4	
						

F05

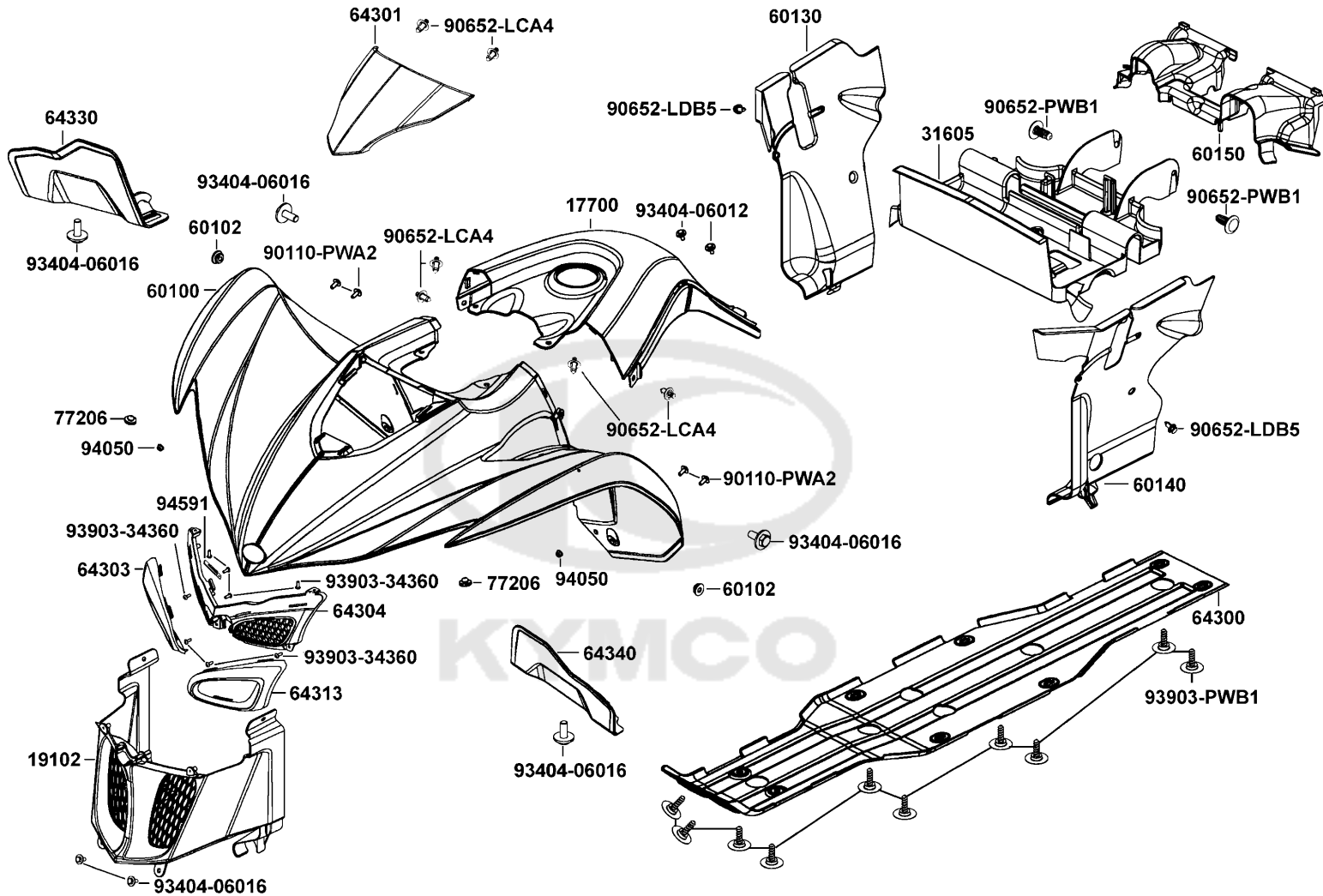
Fender Front



Sales mark	Ref no	Part no	Description	Reg description	Regd no	F05
**	17700	17700-LGN5-E00	COVER TANK	COVER TANK	1	
**	19102	19102-LGN5-E01	DUCT.COOLING AIR	DUCT.COOLING AIR	1	
**	31605	31605-PWB1-900	TRAY ELECTRICAL	TRAY ELECTRICAL	1	
**	60100	60100-LGN5-E00	FENDER FRONT	FENDER FRONT	1	
	60102	60102-PWB1-900	GROMMET PANEL-SIDE	GROMMET PANEL-SIDE	2	
**	60130	60130-PWB1-910	PANEL SPLASH-RIGHT	PANEL SPLASH-RIGHT	1	
**	60140	60140-PWB1-910	PANEL SPLASH-LEFT	PANEL SPLASH-LEFT	1	
**	60150	60150-LFA5-E01	COVER WATERPROOF	COVER WATERPROOF	1	
**	64300	64300-PWB1-910	PLATE SKID	PLATE SKID	1	
**	64301	64301-LGN5-Y00	COVER FRONT	COVER FRONT	1	
**	64303	64303-LGN5-E00	COVER R GRILLE	COVER R GRILLE	1	
**	64304	64304-LGN5-E01	GRILL FRONT	GRILL FRONT	1	
**	64313	64313-LGN5-E00	COVER L GRILLE	COVER L GRILLE	1	
**	64330	64330-LFE9-E01	GUARD R BOOT	GUARD R BOOT	1	
**	64340	64340-LFE9-E01	GUARD L BOOT	GUARD L BOOT	1	
	77206	77206-PWB1-900	BUMPER.SEAT	BUMPER.SEAT	1	
	90110-PWA2	90110-PWA2-900	BOLT SPECIAL 6*16	BOLT SPECIAL 6*16	4	
	90652-LCA4	90652-LCA4-E00	CLIP MUDGUARD	CLIP MUDGUARD	6	
	90652-LDB5	90652-LDB5-900	CLIP MUDGUARD	CLIP MUDGUARD	2	
	90652-PWB1	90652-PWB1-900	X'MAS TREE CLIP	X'MAS TREE CLIP	2	

F05

Fender Front

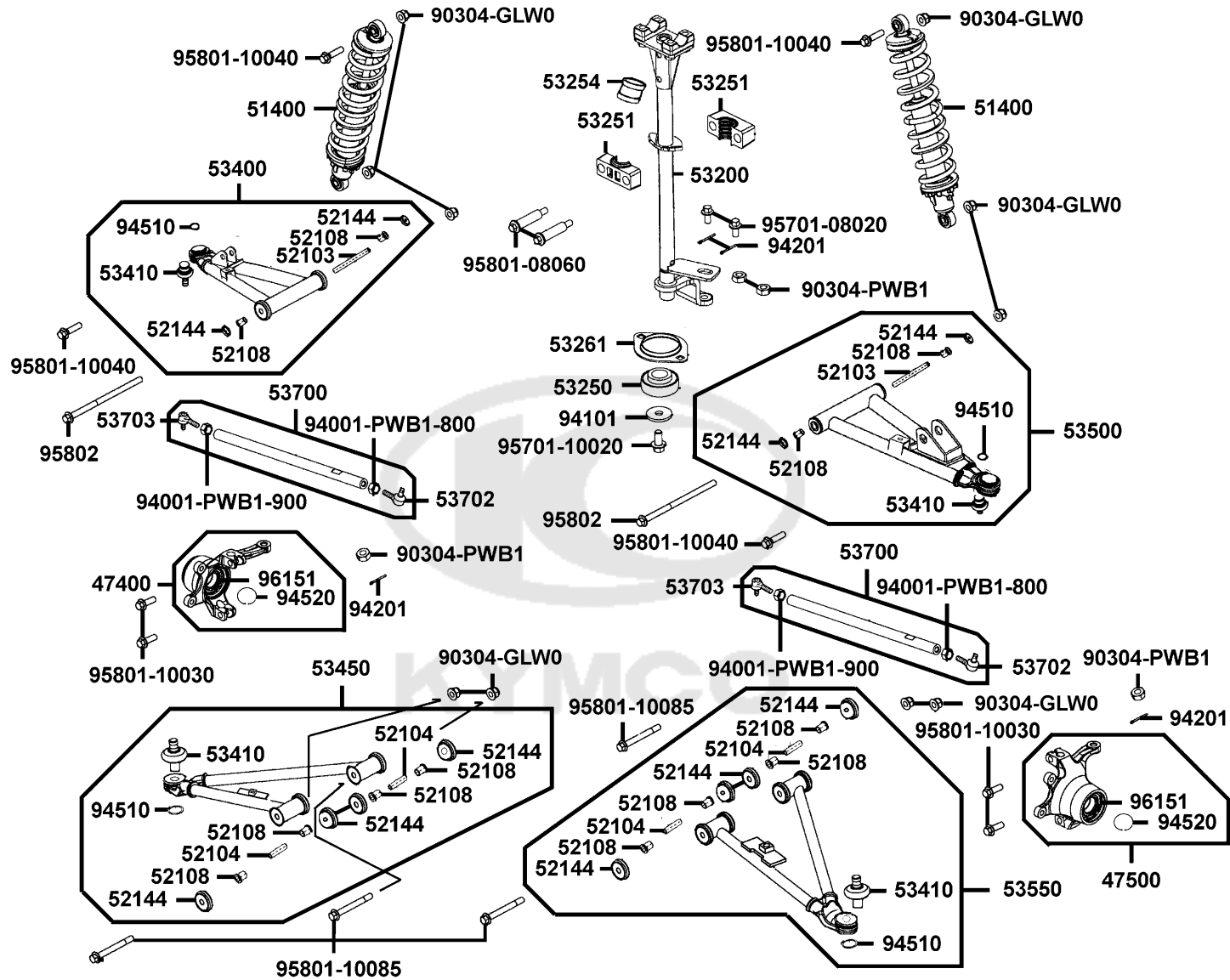


Sales mark	Ref no	Part no	Description	Reg description	Regd no	<b>F05</b>
	93404-06012	93404-06012-06	BOLT WASHER 6*12 (G)	BOLT WASHER 6*12 (G)	2	
	93404-06016	93404-06016-06	BOLT WASHER 6*16	BOLT WASHER 6*16	6	
#	93903-34360	93903-34360	SCREW TAPPING 4*12 (G)	SCREW TAPPING 4*12 (G)	8	
	93903-PWB1	93903-PWB1-900	SCREW BODY-SELF TAP #12x3/4 A	SCREW BODY-SELF TAP #12x3/4 A	10	
	94050	94050-PWA2-900	NUT LOCK	NUT LOCK	2	
	94591	94591-27000	CLIP 2*70	CLIP 2*70	1	



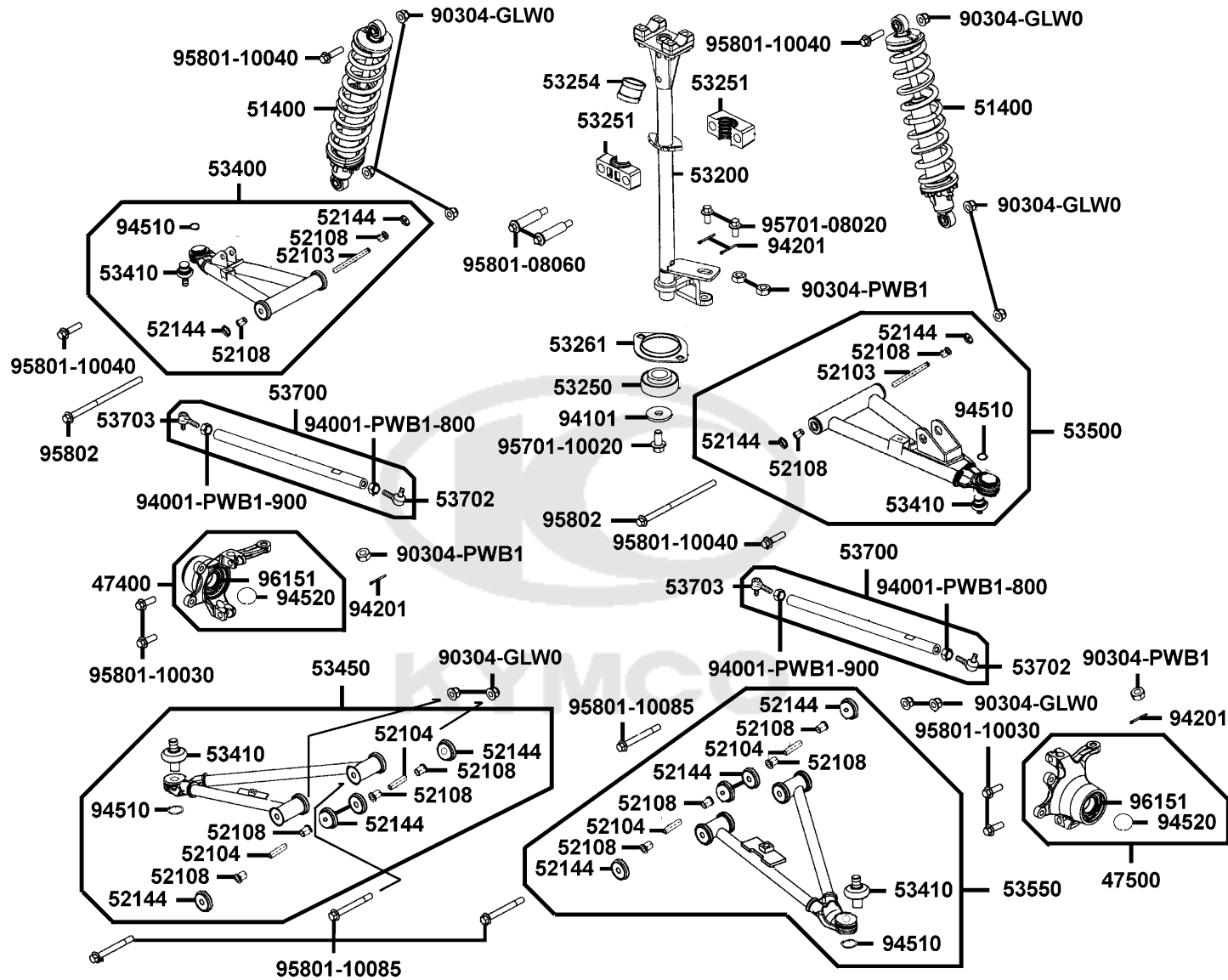


Post Steering

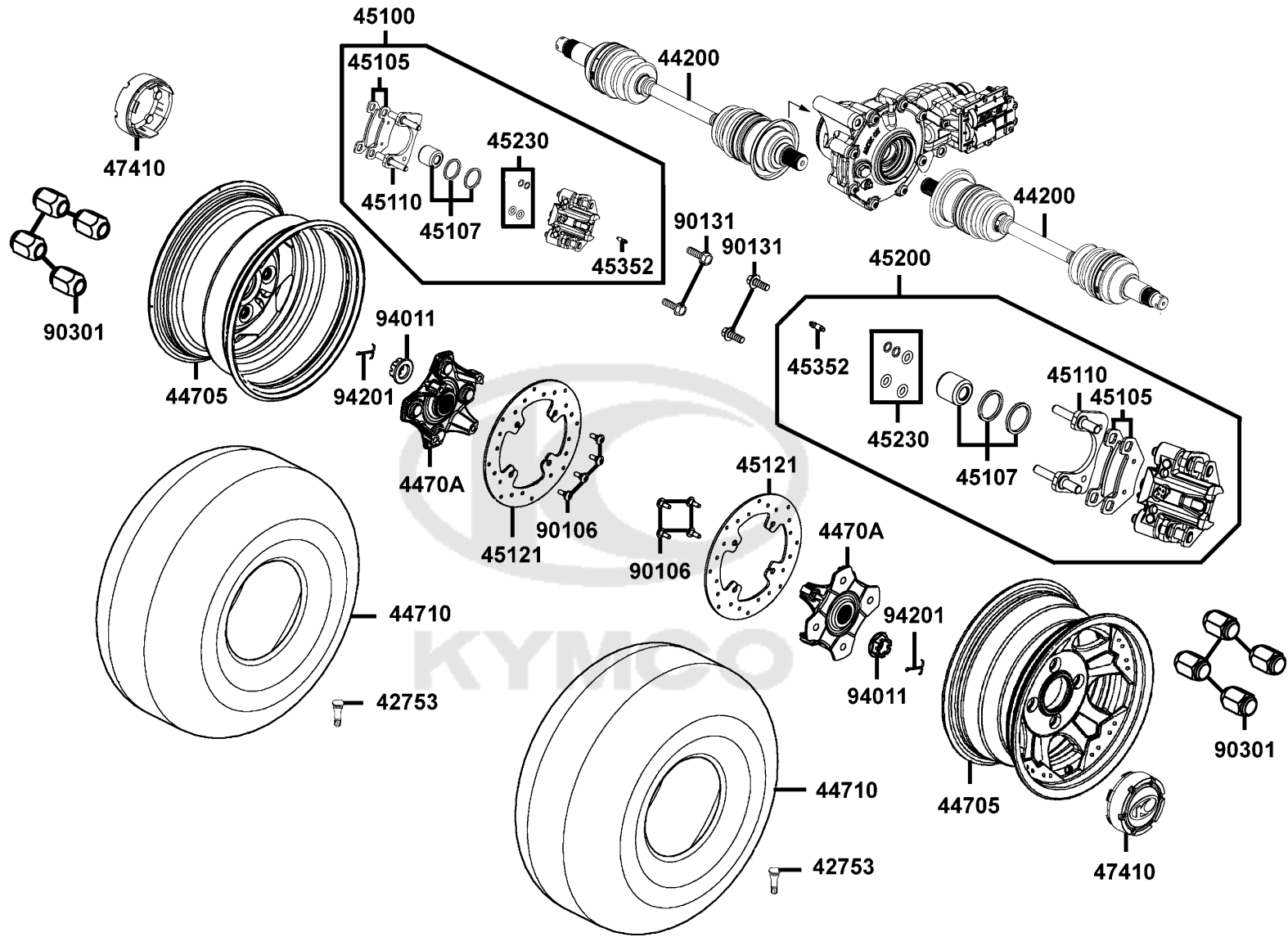


Sales mark	Ref no	Part no	Description	Reg description	Regd no	F06
	47400	47400-PWB1-900	KNUCKLE STEERING ASSEMBLY	KNUCKLE STEERING ASSEMBLY	1	
	47500	47500-PWB1-900	KNUCKLE STEERING ASSEMBLY	KNUCKLE STEERING ASSEMBLY	1	
# **	51400	51400-LGN5-E00	CUSHION ASSY FR	CUSHION ASSY FR	2	
# **	51400	51400-LGN5-E01	CUSHION ASSY. FR	CUSHION ASSY. FR	2	
	52103	52103-PWB1-900	SLEEVE SUSPENSION	SLEEVE SUSPENSION	2	
	52104	52104-PWB1-900	SLEEVE SUSPENSION	SLEEVE SUSPENSION	4	
	52108	52108-PWB1-900	BUSHING SUSPENSION	BUSHING SUSPENSION	12	
	52144	52144-PWB1-900	SEAL SUSPENSION	SEAL SUSPENSION	12	
	53200	53200-LGN5-900	POST STEERING	POST STEERING	1	
	53250	53250-PWB1-900	BEARING STEERING-LOW SPEED	BEARING STEERING-LOW SPEED	1	
	53251	53251-LGN5-E00	HOLDER STEM STRG	HOLDER STEM STRG	2	
	53254	53254-LBA7-900	SLEEVE STEM	SLEEVE STEM	1	
	53261	53261-PWB1-900	FLANGE BEARING-TWO MTG HOLE	FLANGE BEARING-TWO MTG HOLE	1	
**	53400	53400-LGN5-E00	A-ARM. FRONT-UPPER-RH-ASSY	A-ARM. FRONT-UPPER-RH-ASSY	1	
#	53410	53410-PRB1-900	BALL JOINT ASSY	BALL JOINT ASSY	1	
**	53450	53450-LGN5-E00	A-ARM ASSY FRONT LWR RH/LH	A-ARM ASSY FRONT LWR RH/LH	1	
**	53500	53500-LGN5-E00	A-ARM FRONT-UPPER-LH-ASSY	A-ARM FRONT-UPPER-LH-ASSY	1	
**	53550	53550-LGN5-E00	A-ARM ASSY FRONT LWR RH/LH	A-ARM ASSY FRONT LWR RH/LH	1	
#	53700	53700-LGC7-E00	TIE ROD ASSY	TIE ROD ASSY	2	
#	53700	53700-PWB1-900	TIE ROD -ASSY	TIE ROD -ASSY	2	

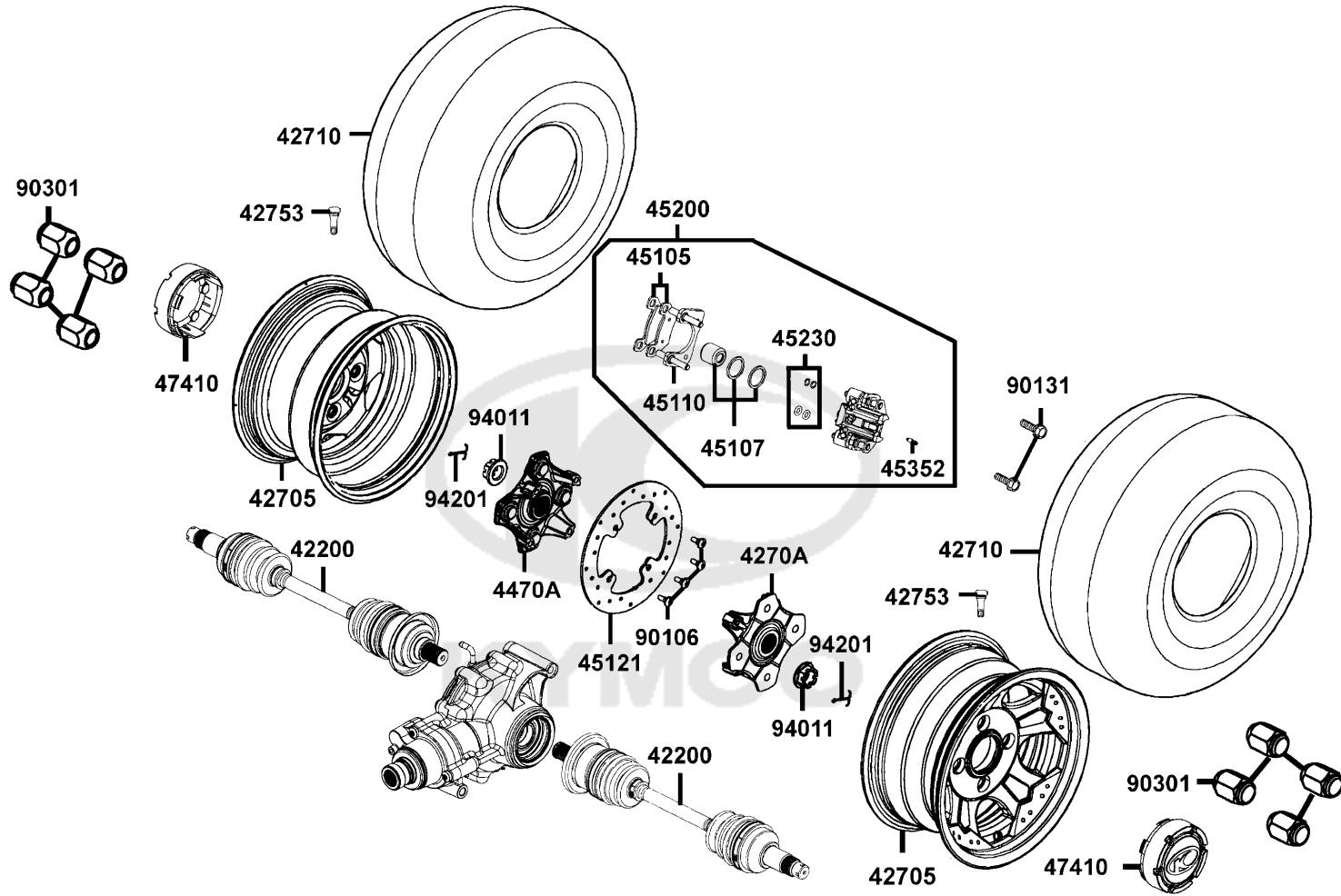
Post Steering



Sales mark	Ref no	Part no	Description	Reg description	Regd no	<b>F06</b>
	53702	53702-PWB1-900	JOINT R BALL	JOINT R BALL	2	
	53703	53703-PWB1-900	JOINT L BALL	JOINT L BALL	2	
	90304-GLW0	90304-GLW0-90A	NUT U FLANGE 10MM	NUT U FLANGE 10MM	10	
	90304-PWB1	90304-PWB1-900	NUT TOP LOCK	NUT TOP LOCK	4	
#	94001-PWB1-900	94001-PWB1-700	NUT HEX LH 10MM	NUT HEX LH 10MM	2	
	94001-PWB1-800	94001-PWB1-800	NUT HEX 10MM	NUT HEX 10MM	2	
	94101	94101-PWB1-900	WASHER FLAT	WASHER FLAT	1	
	94201	94201-25200	PIN SPLIT 2.5*20	PIN SPLIT 2.5*20	4	
	94510	94510-PWB1-900	CIRCLIP EX 29	CIRCLIP EX 29	4	
	94520	94520-55000	CIR CLIP IN 55	CIR CLIP IN 55	2	
	95701-08020	95701-08020-06	BOLT FLANGE 8*20	BOLT FLANGE 8*20	2	
	95701-10020	95701-10020-06	BOLT FLANGE 10*20	BOLT FLANGE 10*20	1	
	95801-08060	95801-08060-06	BOLT FLANGE 8*60	BOLT FLANGE 8*60	2	
	95801-10030	95801-10030-06	BOLT FLANGE 10*30(G)	BOLT FLANGE 10*30(G)	4	
#	95801-10040	95801-10040-06	BOLT FLANGE 10*40	BOLT FLANGE 10*40	1	
	95801-10085	95801-10085-06	BOLT FLANGE 10*85	BOLT FLANGE 10*85	4	
	95802	95802-PWB1-900	SCREW CAP-HFH M10X1.25X180	SCREW CAP-HFH M10X1.25X180	2	
	96151	96151-PWB1-900	BEARING WHEEL	BEARING WHEEL	2	

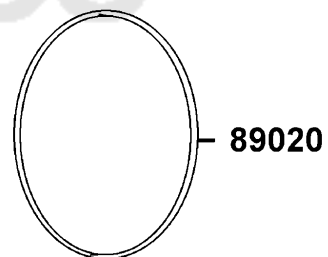
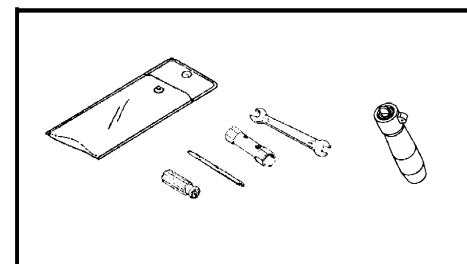
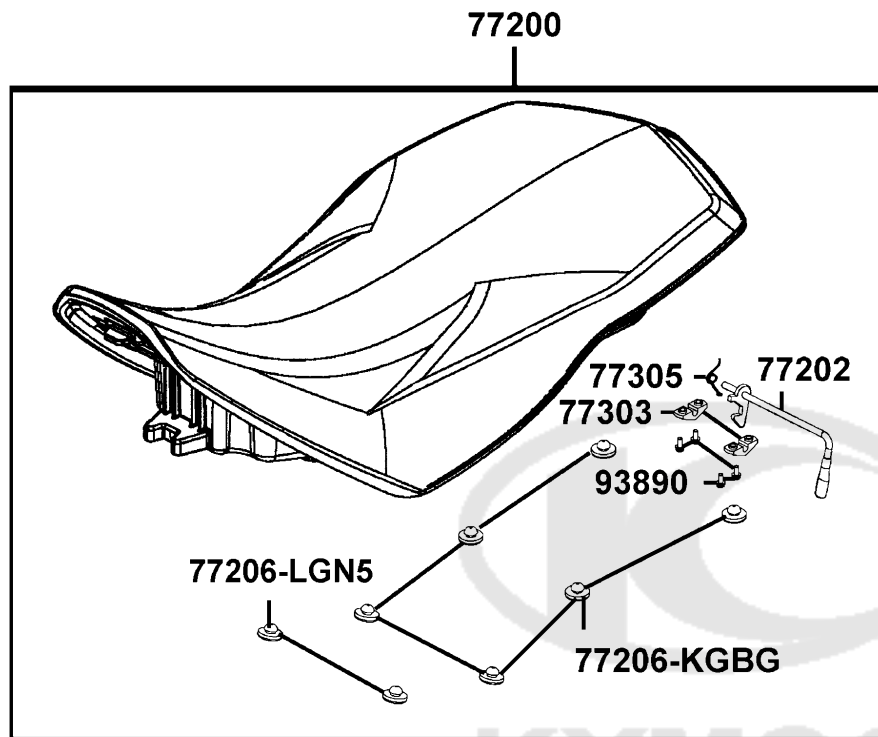


Sales mark	Ref no	Part no	Description	Reg description	Regd no	F07
42753		42753-KNBN-90B	VALAE RIM (TR412)	VALAE RIM (TR412)	2	
44200		44200-PWB1-800	HALFSHAFT FRONT	HALFSHAFT FRONT	2	
44705		44705-LGN5-E00	WHEEL CAST FR	WHEEL CAST FR	2	
4470A		4470A-LFA5-E00	HUB ASSEMBLY	HUB ASSEMBLY	1	
44710		44710-LGN5-910	TIRE ASSY FR AT23*8-12(MAXXIS)	TIRE ASSY FR AT23*8-12(MAXXIS)	2	
45100		45100-PWB1-600	CALIPER BRAKE RH	CALIPER BRAKE RH	1	
45105		45105-PWB1-306	BRAKE PADS	BRAKE PADS	1	
45107		45107-PWB1-305	PISTON AND SEALS	PISTON AND SEALS	2	
45110		45110-PWB1-305	MOUNT BRACKET ASSEMBLS	MOUNT BRACKET ASSEMBLS	2	
45121		45121-PWB1-900	DISK BRAKE	DISK BRAKE	2	
45200		45200-PWB1-600	CALIPER BRAKE LH	CALIPER BRAKE LH	1	
45230		45230-PWB1-305	GUIDE O RINGS	GUIDE O RINGS	2	
45352		45352-PWB1-305	BLEEDER	BLEEDER	2	
47410		47410-LGN5-E00	CAP WHEEL CENTER	CAP WHEEL CENTER	2	
90106		90106-PWB1-900	BOLT SHOULDER	BOLT SHOULDER	8	
90131		90131-LDB5-E00	BOLT FLANGE 8*20	BOLT FLANGE 8*20	4	
90301		90301-LGN5-E00	NUT WHEEL	NUT WHEEL	8	
94011		94011-PWB1-900	NUT CASTLE FLANGE M22x1.5	NUT CASTLE FLANGE M22x1.5	2	
94201		94201-30400	PIN SPLIT 3*40	PIN SPLIT 3*40	2	



Sales mark	Ref no	Part no	Description	Reg description	Regd no	F08
42200		42200-PWB1-800	HALFSHAFT REAR	HALFSHAFT REAR	2	
42705		42705-LGN5-E00	WHEEL CAST RR	WHEEL CAST RR	2	
4270A		4270A-LFA5-E00	HUB ASSEMBLY	HUB ASSEMBLY	1	
42710		42710-LGN5-910	TIRE ASSY RR AT23*10-12(MAXXIS)	TIRE ASSY RR AT23*10-12(MAXXIS)	1	
42753		42753-KNBN-90B	VALAE RIM (TR412)	VALAE RIM (TR412)	2	
4470A		4470A-LFA5-E00	HUB ASSEMBLY	HUB ASSEMBLY	1	
45105		45105-PWB1-306	BRAKE PADS	BRAKE PADS	1	
45107		45107-PWB1-305	PISTON AND SEALS	PISTON AND SEALS	2	
45110		45110-PWB1-305	MOUNT BRACKET ASSEMBLS	MOUNT BRACKET ASSEMBLS	1	
45121		45121-PWB1-900	DISK BRAKE	DISK BRAKE	1	
45200		45200-PWB1-600	CALIPER BRAKE LH	CALIPER BRAKE LH	1	
45230		45230-PWB1-305	GUIDE O RINGS	GUIDE O RINGS	1	
45352		45352-PWB1-305	BLEEDER	BLEEDER	1	
47410		47410-LGN5-E00	CAP WHEEL CENTER	CAP WHEEL CENTER	2	
90106		90106-PWB1-900	BOLT SHOULDER	BOLT SHOULDER	4	
90131		90131-LDB5-E00	BOLT FLANGE 8*20	BOLT FLANGE 8*20	4	
90301		90301-LGN5-E00	NUT WHEEL	NUT WHEEL	8	
94011		94011-PWB1-900	NUT CASTLE FLANGE M22x1.5	NUT CASTLE FLANGE M22x1.5	2	
94201		94201-30400	PIN SPLIT 3*40	PIN SPLIT 3*40	2	



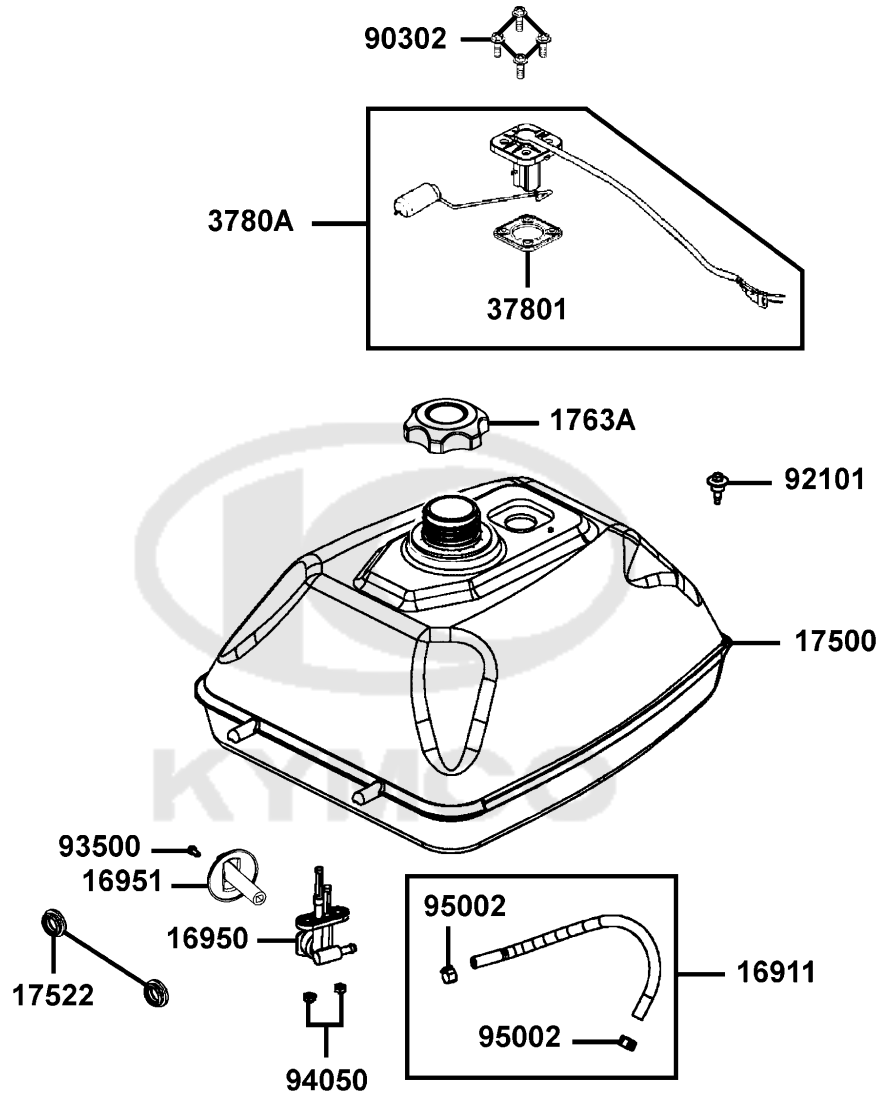


Sales mark	Ref no	Part no	Description	Reg description	Regd no	F09
**	77200	77200-LGN5-900	SEAT ASSY(01Y-OBC)	SEAT ASSY(01Y-OBC)	1	
	77202	77202-LGN5-E00	LATCH COMP SEAT	LATCH COMP SEAT	1	
	77206-KGBG	77206-KGBG-900	RUBBER SEAT CUSHION	RUBBER SEAT CUSHION	6	
	77206-LGN5	77206-LGN5-E00	BUMPER SEAT	BUMPER SEAT	2	
	77303	77303-KFA6-900	HOLDER HOOK BAR	HOLDER HOOK BAR	2	
	77305	77305-KFA6-900	SPRING HOOK BAR	SPRING HOOK BAR	1	
	89010	89010-LGN5-E00	TOOL SET	TOOL SET	1	
	89020	89020-KKC4-900	BAND TOOL SET	BAND TOOL SET	1	
	93890	93890-LDB5-E00	BOLT M4	BOLT M4	4	

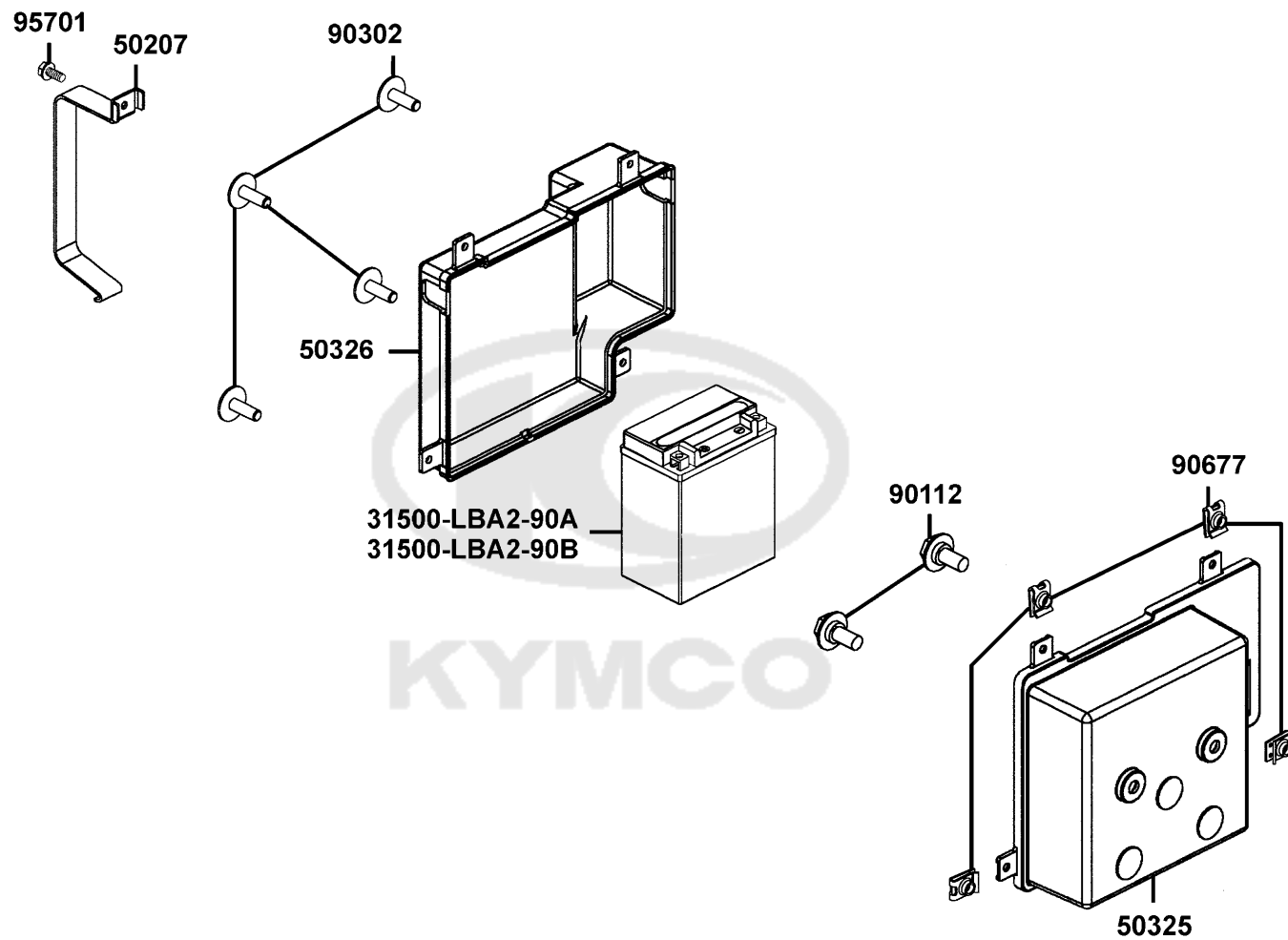


F10

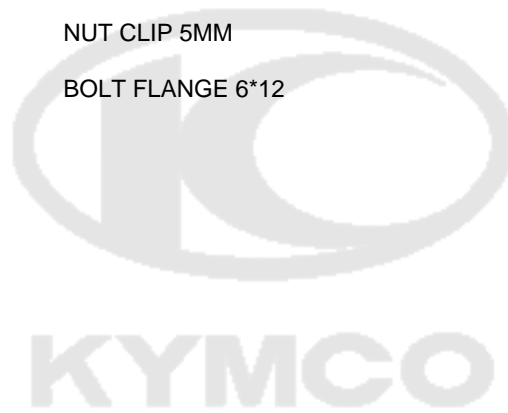
Fuel Tank



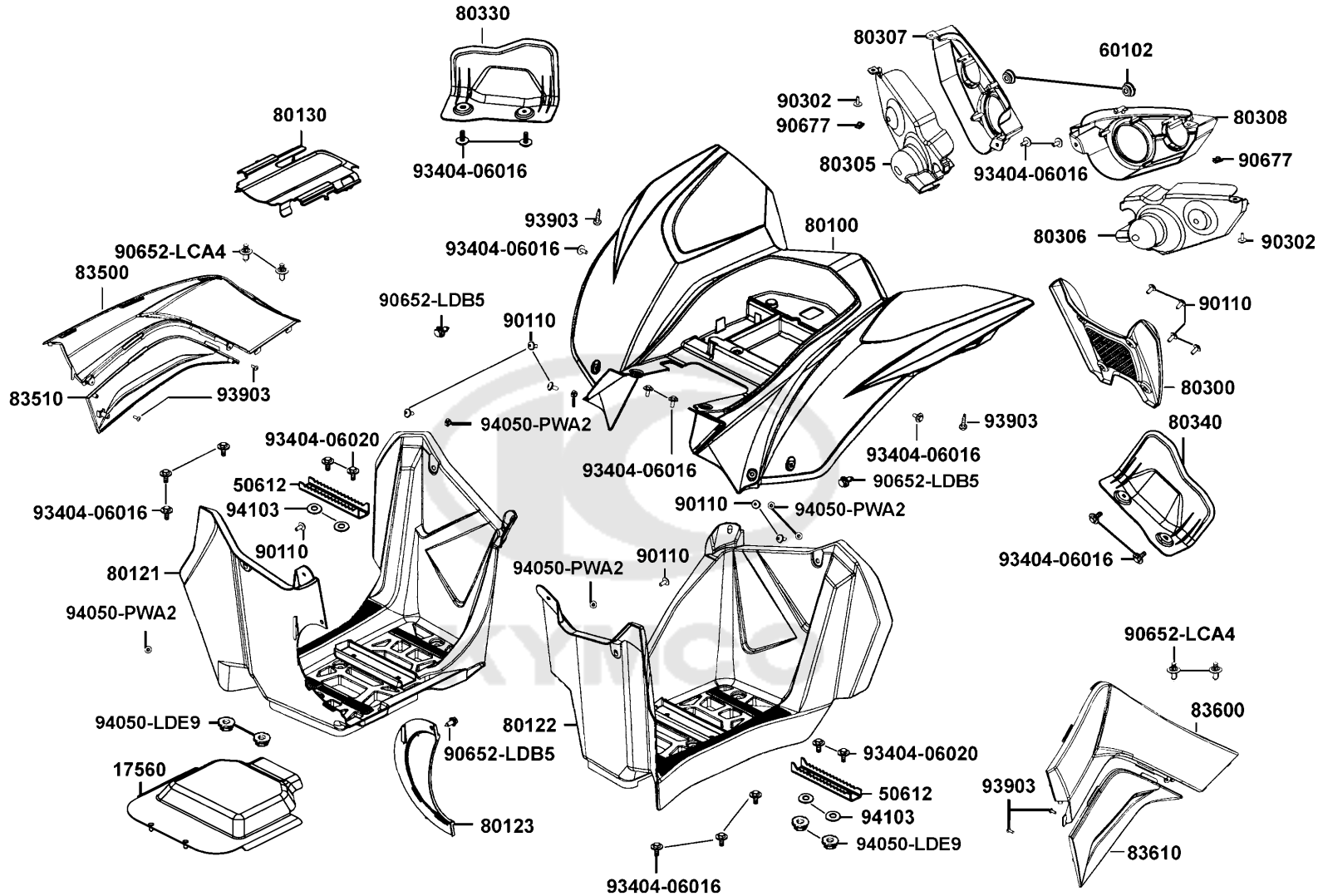
Sales mark	Ref no	Part no	Description	Reg description	Regd no	<b>F10</b>
#	16911	16911-LFA5-E00	TUBE ASSY FUEL	TUBE ASSY FUEL	2	
#	16950	16950-PWB1-910	VALVE FUEL	VALVE FUEL	1	
	16951	16951-LGN5-E00	Knob.Fuel Tank	Knob.Fuel Tank	1	
#	17500	17500-LGN5-E00	TANK COMP.. FUEL	TANK COMP.. FUEL	2	
	17522	17522-PWB1-900	GROMMET FUEL TANK	GROMMET FUEL TANK	2	
	1763A	1763A-LGN5-MY0	CAP ASSY FUEL TANK	CAP ASSY FUEL TANK	1	
	37801	37801-LAB4-910	PACKING BASE	PACKING BASE	1	
	3780A	3780A-LGN5-E00	FUEL UNIT ASS'Y	FUEL UNIT ASS'Y	1	
	90302	90302-GBR2-001	BOLT WASH 5*16	BOLT WASH 5*16	4	
	92101	92101-PWB1-900	SCREW FUEL TANK	SCREW FUEL TANK	1	
#	93500	93500-04010-06	SCREW PAN 4*10	SCREW PAN 4*10	1	
	94050	94050-PWA2-900	NUT LOCK	NUT LOCK	2	
	95002	95002-40950-08	CLAMP D9.5 TUBE	CLAMP D9.5 TUBE	2	



Sales mark	Ref no	Part no	Description	Reg description	Regd no	F11
	31500-LBA2-90A	31500-LBA2-90A	BATTERY YTX14-BS	BATTERY YTX14-BS	1	
	31500-LBA2-90B	31500-LBA2-90B	BATTERY GTX14-BS	BATTERY GTX14-BS	1	
	50207	50207-LGN5-E00	STAY. BATTERY	STAY. BATTERY	1	
**	50325	50325-LGN5-E00	CASE BATTERY	CASE BATTERY	1	
**	50326	50326-LGN5-E00	COVER BATTERY	COVER BATTERY	1	
	90112	90112-KNBN-901	BOLT FLANGE 6MM	BOLT FLANGE 6MM	2	
	90302	90302-PWA1-900	BOLT-WASH 5*16	BOLT-WASH 5*16	4	
	90677	90677-GAR1-004	NUT CLIP 5MM	NUT CLIP 5MM	4	
	95701	95701-06012-06	BOLT FLANGE 6*12	BOLT FLANGE 6*12	1	



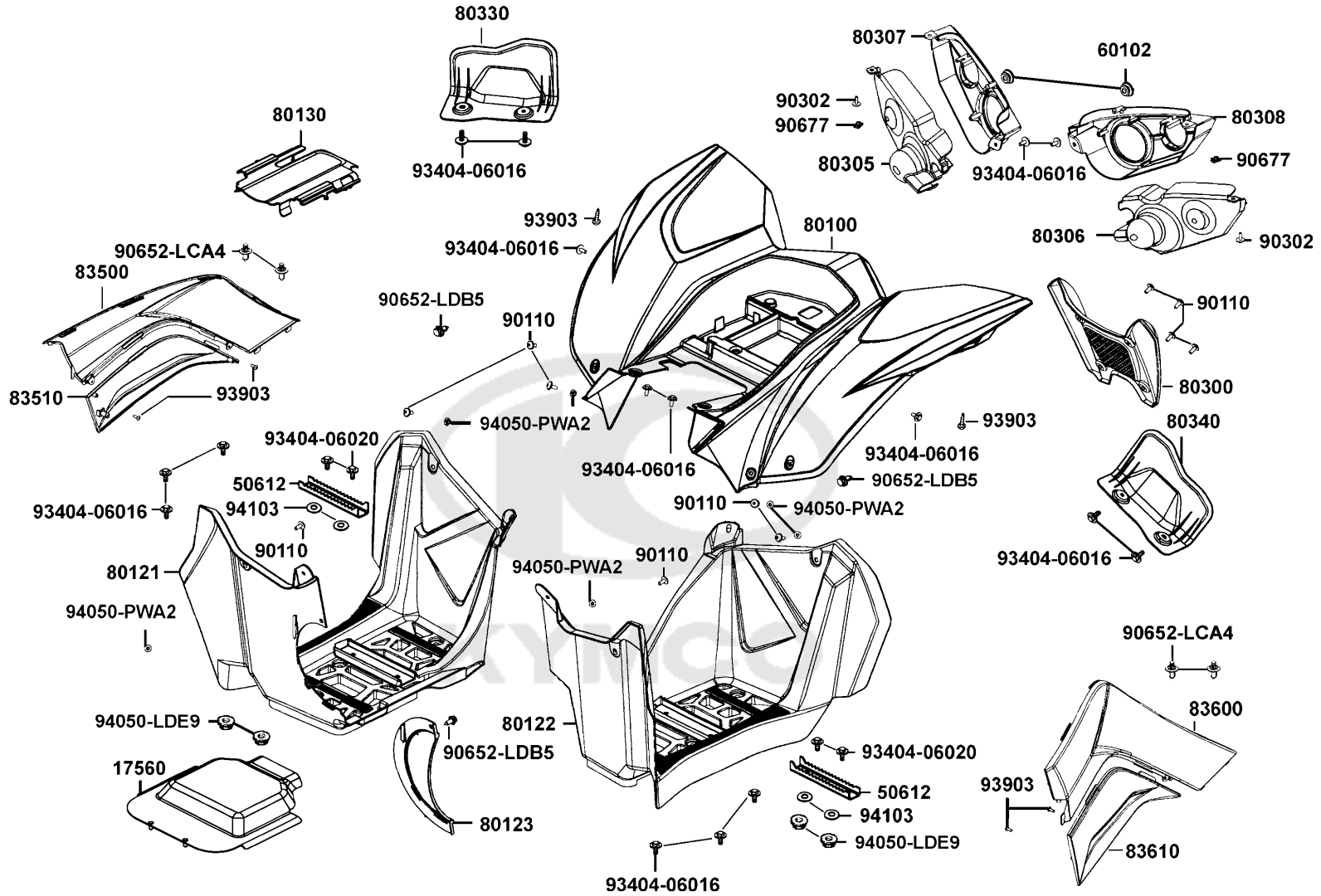
Fender Rear Mudguard Floor



Sales mark	Ref no	Part no	Description	Reg description	Regd no	F12
**	17560	17560-LGC7-E00	SHIELD HEAT	SHIELD HEAT	1	
	50612	50612-LGN5-900	RNFCT FLOOR	RNFCT FLOOR	1	
	60102	60102-PWB1-900	GROMMET PANEL-SIDE	GROMMET PANEL-SIDE	2	
**	80100	80100-LGN5-E00	FENDER REAR	FENDER REAR	1	
**	80121	80121-LGN5-E01	MUDGUARD R FLOOR	MUDGUARD R FLOOR	1	
**	80122	80122-LGN5-E01	MUDGUARD L FLOOR	MUDGUARD L FLOOR	1	
**	80123	80123-LGN5-E01	MUDGUARD FR R FLOOR	MUDGUARD FR R FLOOR	1	
**	80130	80130-PWB1-E00	SHIELD REAR GEARCASE	SHIELD REAR GEARCASE	1	
**	80300	80300-LGN5-E01	COVER GEARBOX	COVER GEARBOX	1	
**	80305	80305-LGN5-900	GUARD COVER R TAIL LIGHT	GUARD COVER R TAIL LIGHT	1	
**	80306	80306-LGN5-900	GUARD COVER L TAIL LIGHT	GUARD COVER L TAIL LIGHT	1	
**	80307	80307-LGN5-E01	COVER.R TAIL LIGHT	COVER.R TAIL LIGHT	1	
**	80308	80308-LGN5-E01	COVER.L TAIL LIGHT	COVER.L TAIL LIGHT	1	
**	80330	80330-LGN5-E01	GUARD R RR BOOT	GUARD R RR BOOT	1	
**	80340	80340-LGN5-E01	GUARD L RR BOOT	GUARD L RR BOOT	1	
**	83500	83500-LGN5-E00	COVER A R SIDE	COVER A R SIDE	1	
**	83510	83510-LGN5-Y00	COVER B R SIDE	COVER B R SIDE	1	
**	83600	83600-LGN5-E00	COVER A L SIDE	COVER A L SIDE	1	
**	83610	83610-LGN5-Y00	COVER B L SIDE	COVER B L SIDE	1	
	90110	90110-PWA2-900	BOLT SPECIAL 6*16	BOLT SPECIAL 6*16	12	

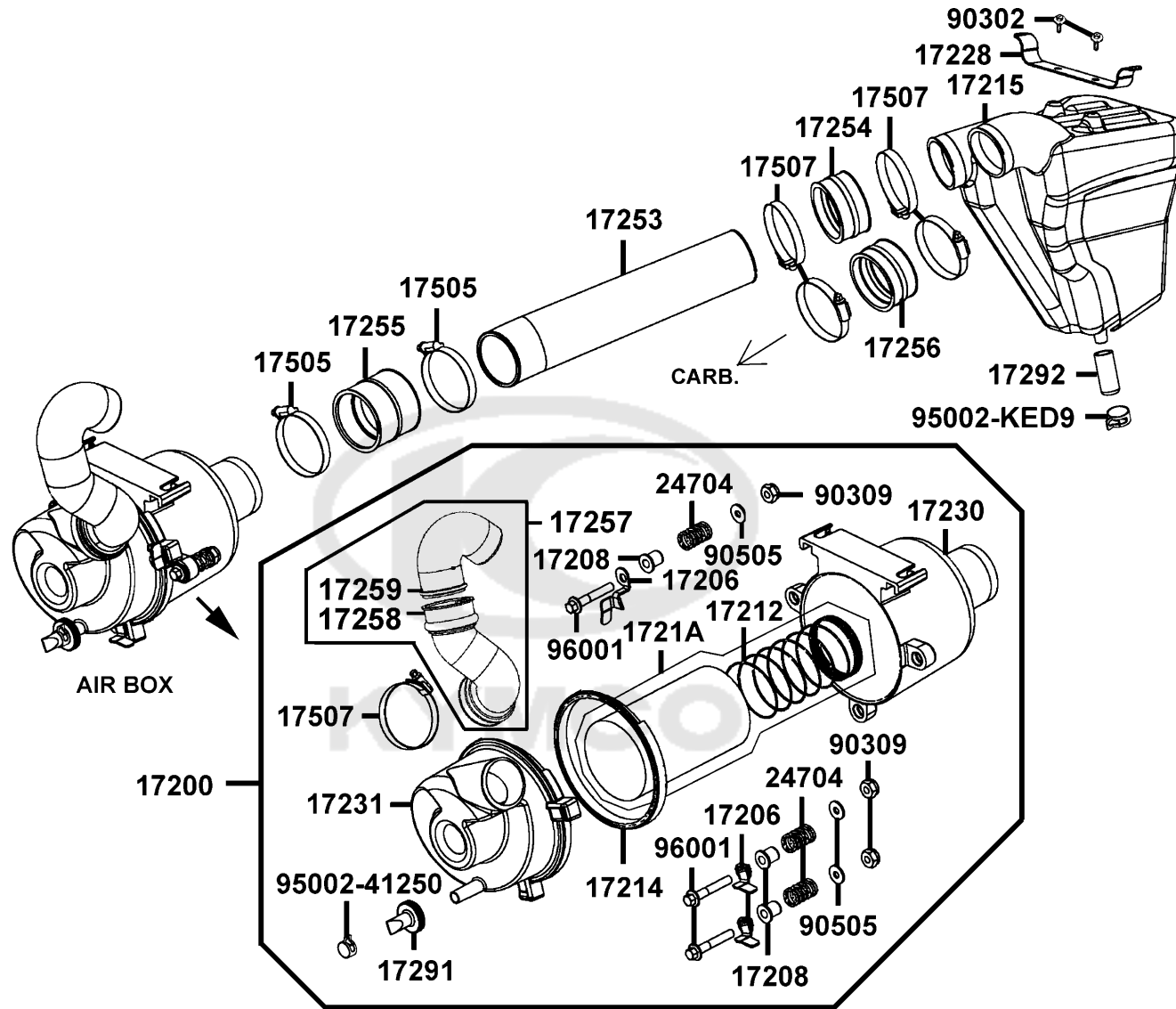


Fender Rear Mudguard Floor

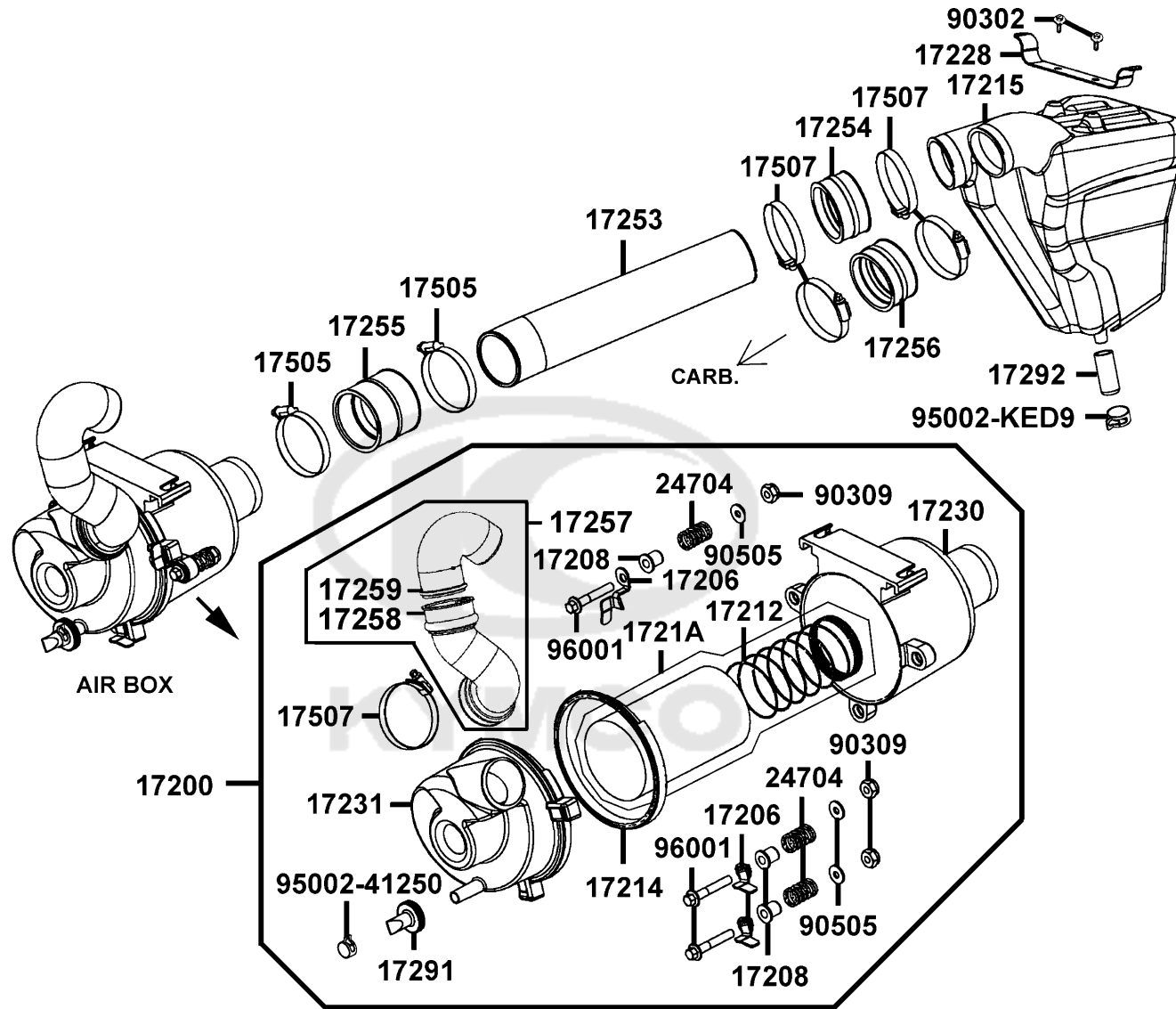


Sales mark	Ref no	Part no	Description	Reg description	Regd no	F12
	90302	90302-PWA1-900	BOLT-WASH 5*16	BOLT-WASH 5*16	2	
	90652-LCA4	90652-LCA4-E00	CLIP MUDGUARD	CLIP MUDGUARD	4	
	90652-LDB5	90652-LDB5-900	CLIP MUDGUARD	CLIP MUDGUARD	1	
	90677	90677-GAR1-004	NUT CLIP 5MM	NUT CLIP 5MM	2	
	93404-06016	93404-06016-06	BOLT WASHER 6*16	BOLT WASHER 6*16	16	
	93404-06020	93404-06020-06	BOLT WASHER 6*20 (G)	BOLT WASHER 6*20 (G)	4	
#	93903	93903-34360	SCREW TAPPING 4*12 (G)	SCREW TAPPING 4*12 (G)	6	
	94050-LDE9	94050-LDE9-E00	NUT LOCK	NUT LOCK	4	
	94050-PWA2	94050-PWA2-900	NUT LOCK	NUT LOCK	6	
	94103	94103-06800	WASH PLAIN 6MM	WASH PLAIN 6MM	4	

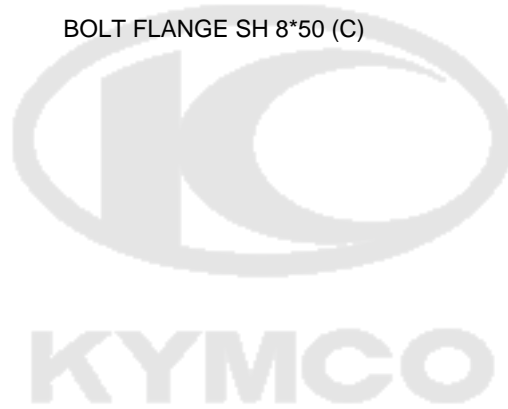




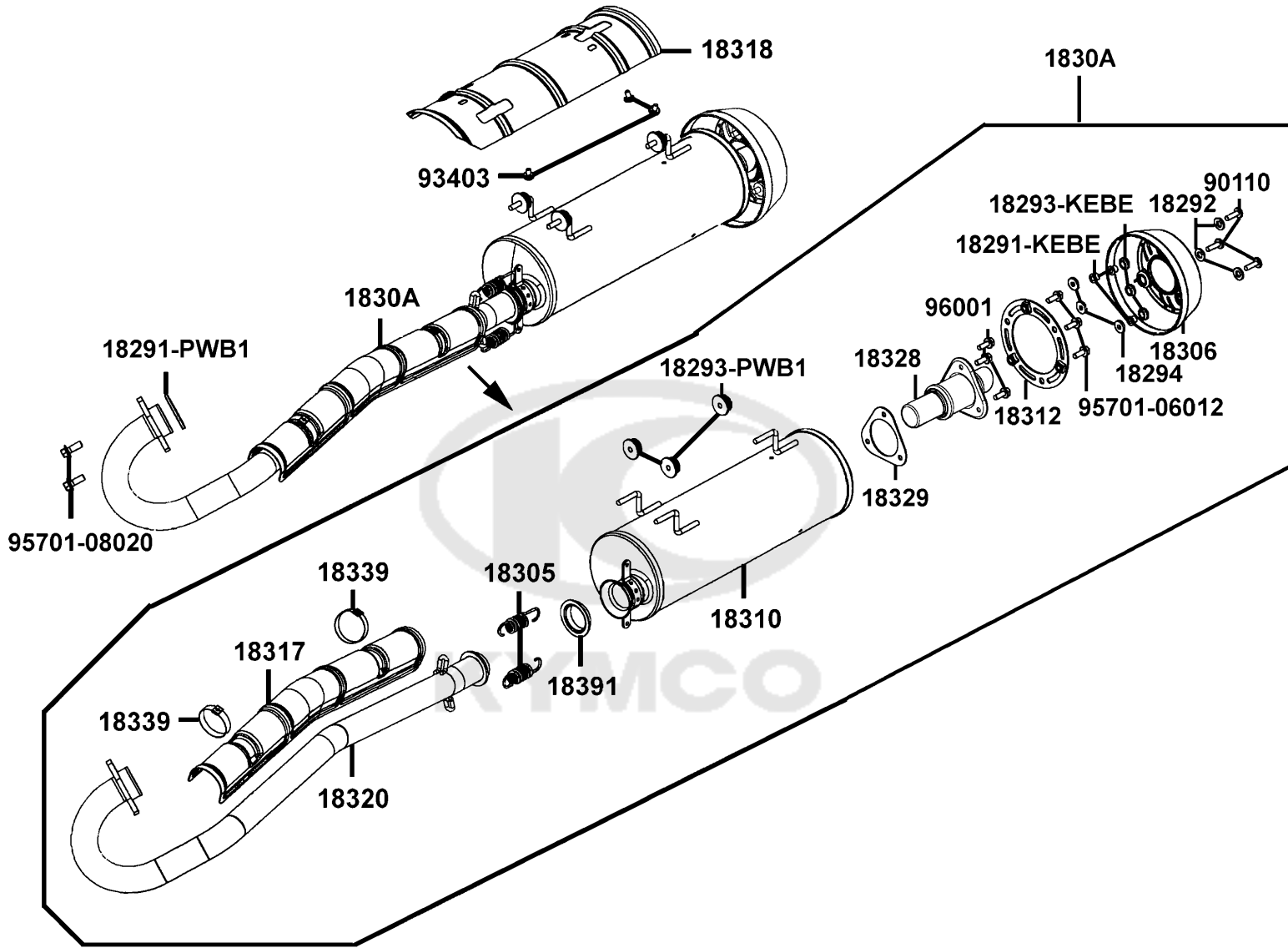
Sales mark	Ref no	Part no	Description	Reg description	Regd no	F13
	17200	17200-PWB1-900	AIR BOX ASSEMBLY	AIR BOX ASSEMBLY	1	
	17206	17206-PWB1-900	CATCH AIR BOX	CATCH AIR BOX	3	
	17208	17208-PWB1-900	SPACER STEEL	SPACER STEEL	3	
	17212	17212-PWB1-900	FILTER SPRING	FILTER SPRING	1	
	17214	17214-PWB1-900	GASKET AIR BOX	GASKET AIR BOX	1	
	17215	17215-PWB1-900	CHAMBER AIR INTAKE	CHAMBER AIR INTAKE	1	
	1721A	1721A-PWB1-900	FILTER AIR-UNI	FILTER AIR-UNI	1	
	17228	17228-PWB1-900	BRACKET MOUNT-AIR CHAMBER	BRACKET MOUNT-AIR CHAMBER	1	
	17230	17230-PWB1-900	BODY AIR BOX-CYCLONIC	BODY AIR BOX-CYCLONIC	1	
	17231	17231-PWB1-900	COVER AIR BOX-CYCLONIC	COVER AIR BOX-CYCLONIC	1	
	17253	17253-PWB1-900	BOOT INTAKE-CARB	BOOT INTAKE-CARB	1	
	17254	17254-PWB1-900	BOOT AIR IN-CARB-LRG	BOOT AIR IN-CARB-LRG	1	
	17255	17255-PWB1-900	BOOT AIR IN CARB SML	BOOT AIR IN CARB SML	1	
	17256	17256-PWB1-900	BOOT CARB-CHAMBER	BOOT CARB-CHAMBER	1	
	17257	17257-PWB1-900	BOOT INTAKE AIR BOX	BOOT INTAKE AIR BOX	1	
#	17258	17258-PWB1-900	BOOT INTAKE TOP AIR BOX	BOOT INTAKE TOP AIR BOX	1	
#	17259	17259-PWB1-900	BOOT INTAKE BOTTOM AIR BOX	BOOT INTAKE BOTTOM AIR BOX	1	
	17291	17291-PWB1-900	VALVE AIR CLEANER	VALVE AIR CLEANER	1	
	17292	17292-PWB1-900	PIPE DRAIN	PIPE DRAIN	1	
	17505	17505-PWB1-900	CLAMP D70	CLAMP D70	2	



Sales mark	Ref no	Part no	Description	Reg description	Regd no	<b>F13</b>
17507		17507-PWB1-900	CLAMP D66	CLAMP D66	5	
24704		24704-PWB1-900	SPRING SHIFT	SPRING SHIFT	3	
90302		90302-LLB1-E00	BOLT-WASHER 5*12	BOLT-WASHER 5*12	2	
90309		90309-GLW0-90A	NUT U FLANGE 8MM	NUT U FLANGE 8MM	3	
90505		90505-4E25-001	WASHER 8MM	WASHER 8MM	3	
95002-41250		95002-41250-00	CLIP D12.5 TUBE	CLIP D12.5 TUBE	1	
95002-KED9		95002-KED9-M30	CLAMP D14.8 TUBE	CLAMP D14.8 TUBE	1	
96001		96001-08050-08	BOLT FLANGE SH 8*50 (C)	BOLT FLANGE SH 8*50 (C)	3	

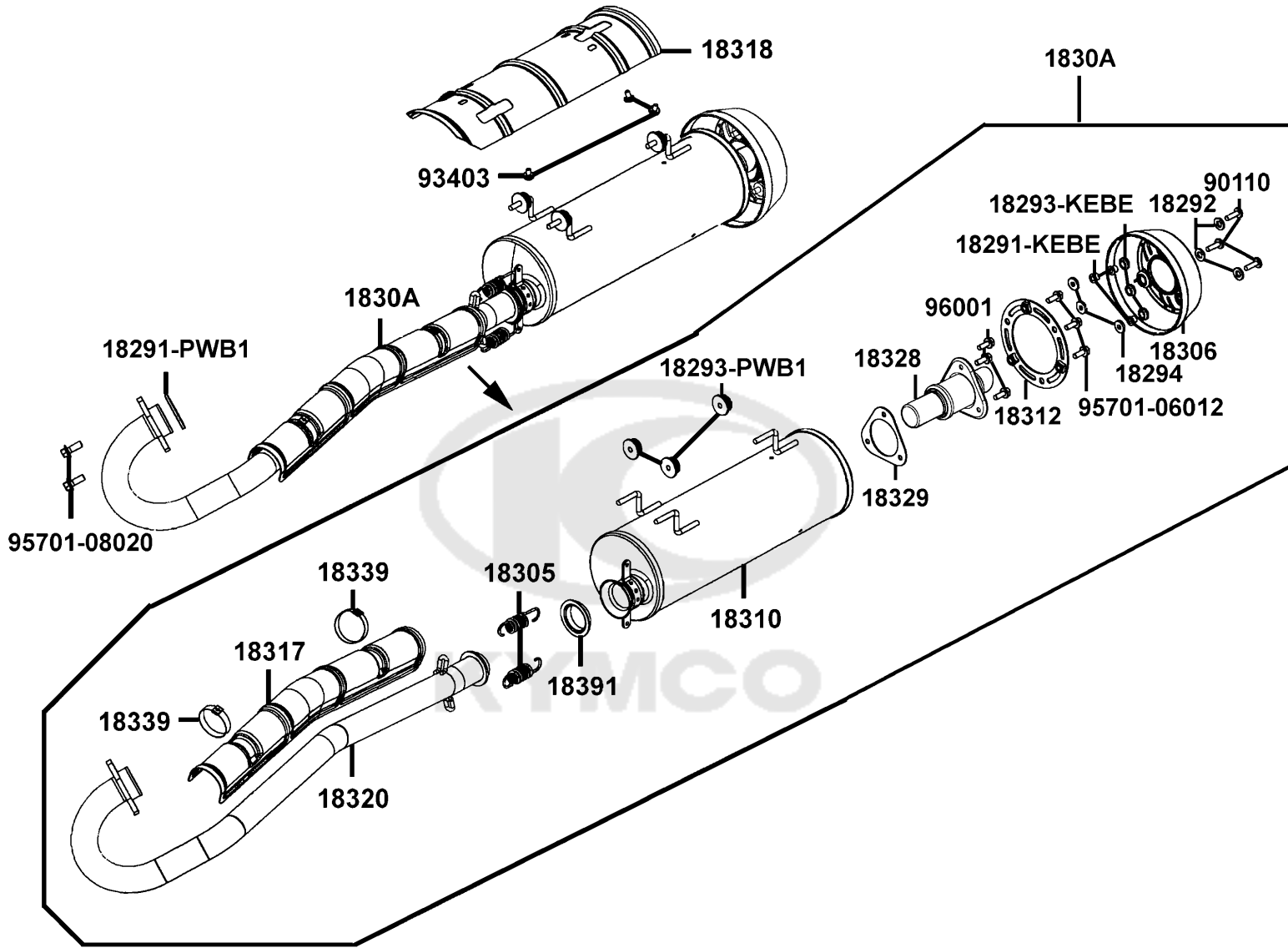


Exhaust Muffler



Sales mark	Ref no	Part no	Description	Reg description	Regd no	<b>F14</b>
	18291-KEBE	18291-KEBE-900	COLLAR	COLLAR	3	
	18291-PWB1	18291-PWB1-900	SEAL EXHAUST PIPE	SEAL EXHAUST PIPE	1	
	18292	18292-KEBE-900	PACKING PROTECTOR	PACKING PROTECTOR	3	
	18293-KEBE	18293-KEBE-900	RUBBER PKG PROTR	RUBBER PKG PROTR	3	
	18293-PWB1	18293-PWB1-900	GROMMENT MUFFLER	GROMMENT MUFFLER	3	
	18294	18294-KEBE-900	PACKING PROTECTOR	PACKING PROTECTOR	3	
	18305	18305-PWB1-900	SPRING EXTENSION	SPRING EXTENSION	2	
**	18306	18306-LGN5-E00	TAIL CAP MUFFLER	TAIL CAP MUFFLER	1	
**	1830A	1830A-LGN5-900	MUFFLER ASSY	MUFFLER ASSY	1	
	18310	18310-LGN5-900	MUFFLER BODY-WELDMENT	MUFFLER BODY-WELDMENT	1	
	18312	18312-LGN5-E00	TAIL PROTECTOR..STAY	TAIL PROTECTOR..STAY	1	
	18317	18317-PWB1-900	SHIELD EXHAUST PIPE	SHIELD EXHAUST PIPE	1	
	18318	18318-PWB1-900	COVER MUFFLER	COVER MUFFLER	1	
	18320	18320-PWB1-900	PIPE EXHAUST -BLACK	PIPE EXHAUST -BLACK	1	
	18328	18328-LFA5-910	SPARK ARRESTER WELDMENT	SPARK ARRESTER WELDMENT	1	
	18329	18329-PWB1-700	GASKET.SPARK ARRESTER	GASKET.SPARK ARRESTER	1	
	18339	18339-PWB1-900	BAND EXHAUST PIPE SHIELD	BAND EXHAUST PIPE SHIELD	2	
	18391	18391-PWB1-900	GASKET EXH-TAILPIPE	GASKET EXH-TAILPIPE	1	
	90110	90110-KEBE-900	SCREW SPECIAL 6*22	SCREW SPECIAL 6*22	3	
	93403	93403-PWB1-900	BOLT-WASHER 6X12	BOLT-WASHER 6X12	3	

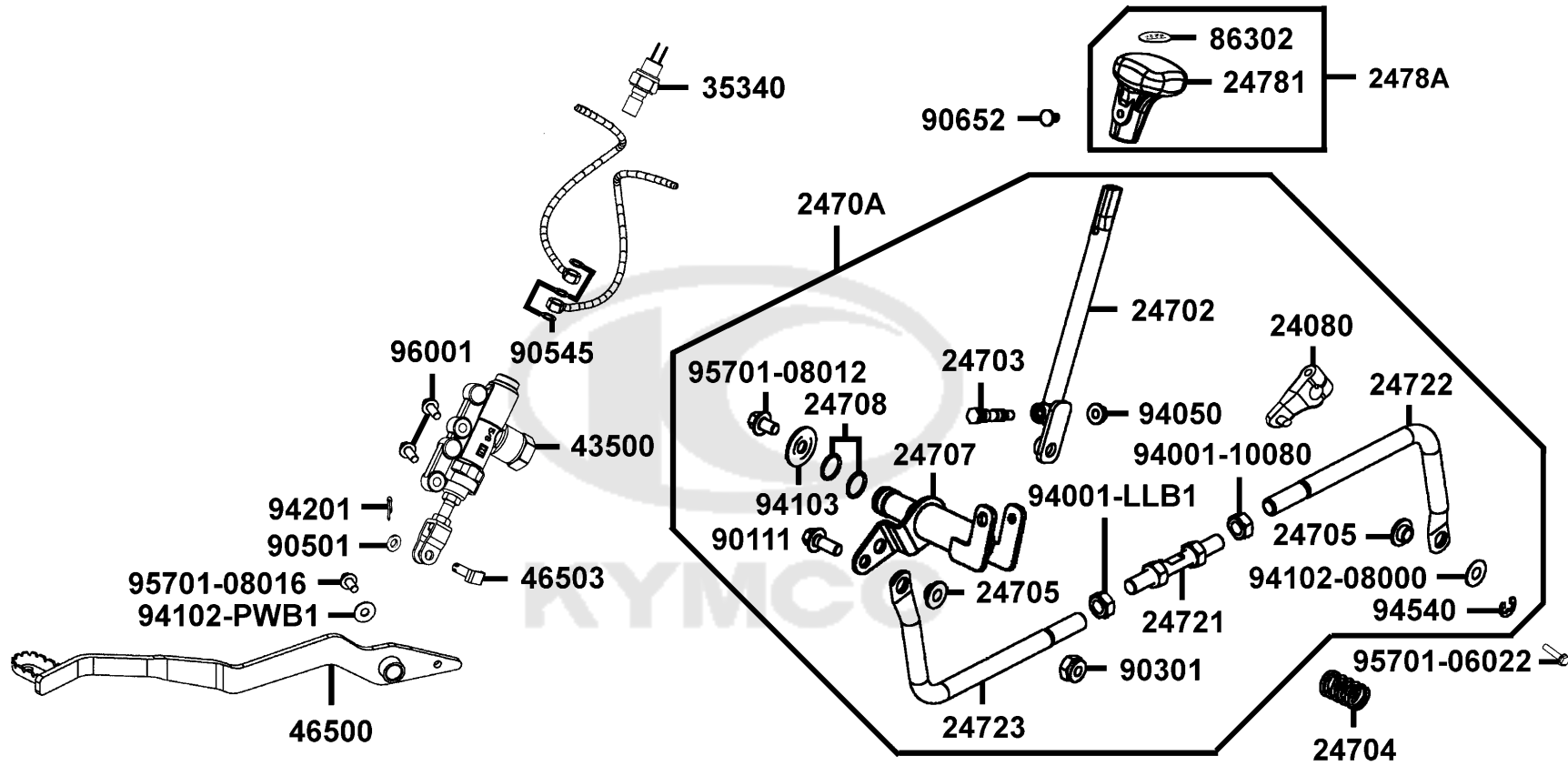




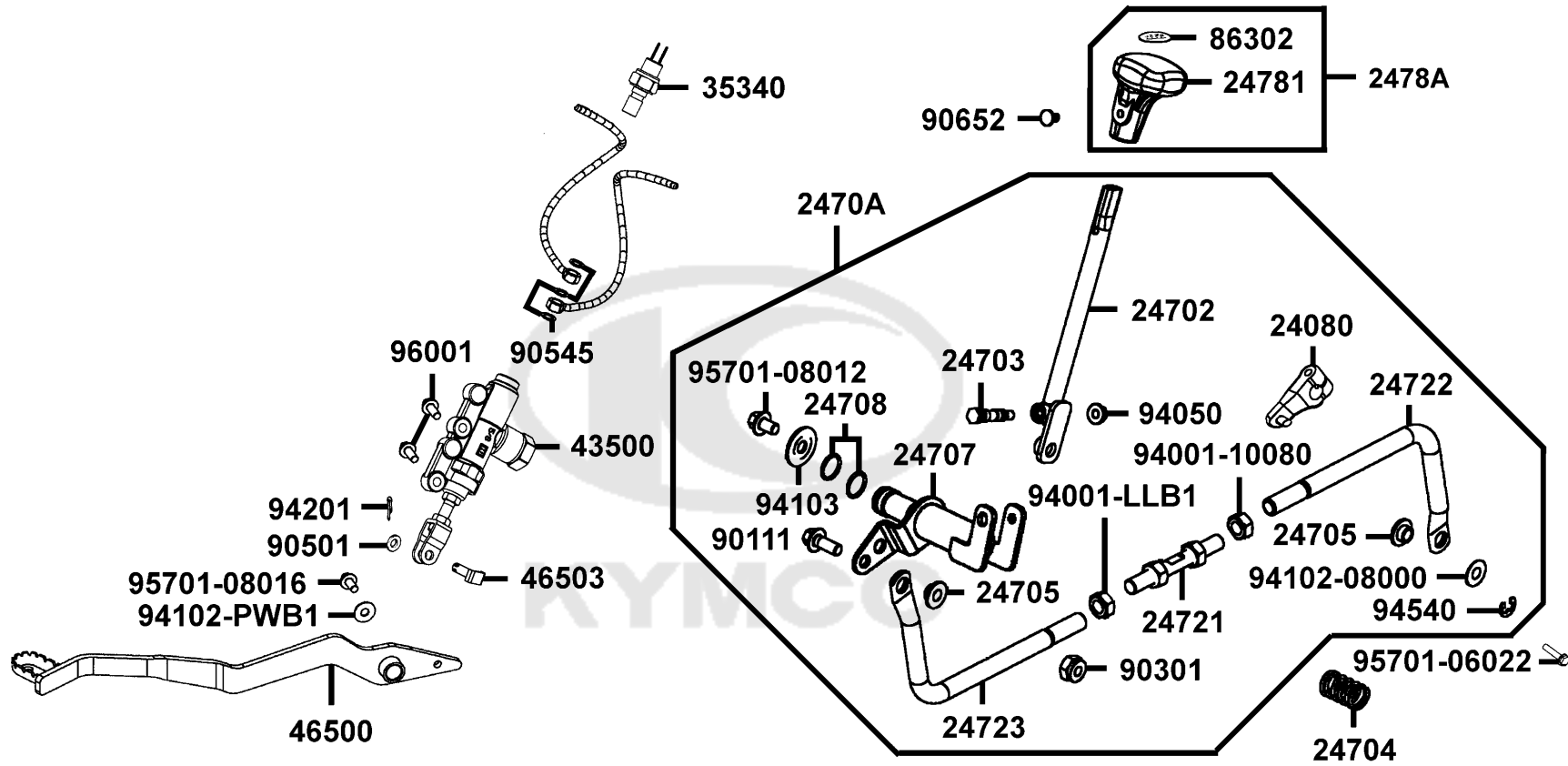
Sales mark	Ref no	Part no	Description	Reg description	Regd no	<b>F14</b>
------------	--------	---------	-------------	-----------------	---------	------------

95701-06012		95701-06012-06	BOLT FLANGE 6*12	BOLT FLANGE 6*12	3	
95701-08020		95701-08020-06	BOLT FLANGE 8*20	BOLT FLANGE 8*20	2	
96001		96001-08016-08	BOLT FLANGE SH 8*16	BOLT FLANGE SH 8*16	3	

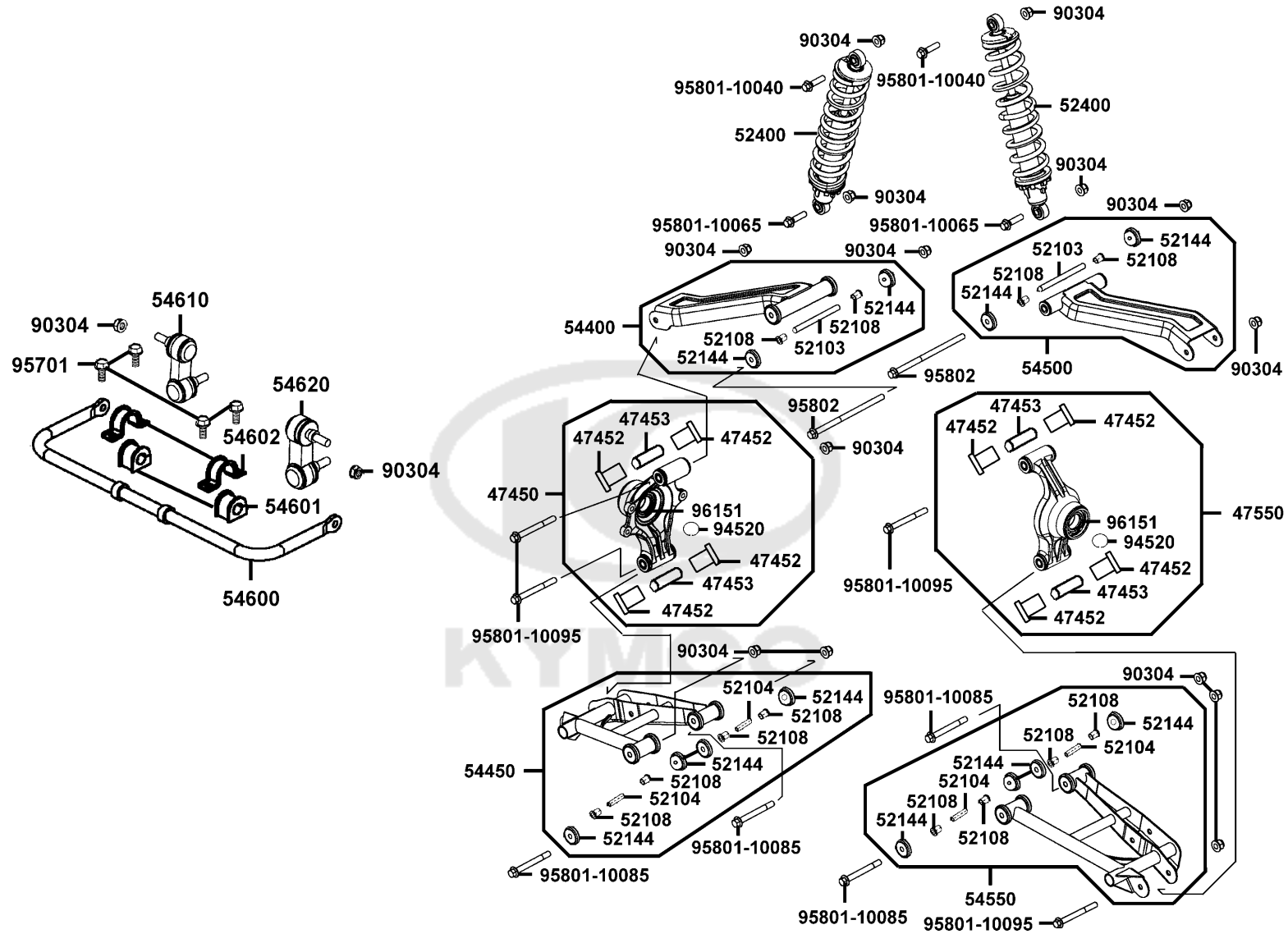




Sales mark	Ref no	Part no	Description	Reg description	Regd no	F15
	24080	24080-PWB1-900	ARM GEAR SELECT ASSY	ARM GEAR SELECT ASSY	1	
	24702	24702-LGN5-E00	LEVER SHIFT-WELDMENT	LEVER SHIFT-WELDMENT	1	
	24703	24703-PWB1-900	AXLE PIVOT	AXLE PIVOT	1	
	24704	24704-PWB1-900	SPRING SHIFT	SPRING SHIFT	1	
	24705	24705-PWB1-900	BUSHING SHIFT	BUSHING SHIFT	2	
	24707	24707-PWB1-900	AXLE WELDMENT	AXLE WELDMENT	1	
	24708	24708-PWB1-900	O RING 016	O RING 016	2	
	2470A	2470A-LGN5-E00	FWD / REV SHIFT ASSY	FWD / REV SHIFT ASSY	1	
	24721	24721-PWB1-900	ADJUSTER SHIFT LINKAGE	ADJUSTER SHIFT LINKAGE	1	
	24722	24722-PWB1-900	ROD SHIFTER ADJUSTABLE RH	ROD SHIFTER ADJUSTABLE RH	1	
	24723	24723-PWB1-900	ROD SHIFTER ADJUSTABLE LH	ROD SHIFTER ADJUSTABLE LH	1	
	24781	24781-LFA5-E00	KNOB SHIFTER	KNOB SHIFTER	1	
	2478A	2478A-LFA5-E00	SHIFTER KNOB ASSY	SHIFTER KNOB ASSY	1	
	35340	35340-PWB1-E00	SWITCH BRAKE PRESSURE DOUBLE	SWITCH BRAKE PRESSURE DOUBLE BANJO	1	
	43500	43500-LFA5-E00	CYLINDER MASTER-350 EURO **LHM2-	CYLINDER MASTER-350 EURO **LHM2-E00	1	
**	46500	46500-LGN5-E00	LEVER COMP BRAKE	LEVER COMP BRAKE	1	
	46503	46503-LFA5-E00	PIN CLEVIS	PIN CLEVIS	1	
**	86302	86302-LFA5-E00	EMB GEAR REVERAL CHANGE	EMB GEAR REVERAL CHANGE	1	
	90111	90111-PWB1-900	BOLT FLANGE 6MM	BOLT FLANGE 6MM	1	
	90301	90301-6D34-671	NUT FLANGE 6MM	NUT FLANGE 6MM	1	

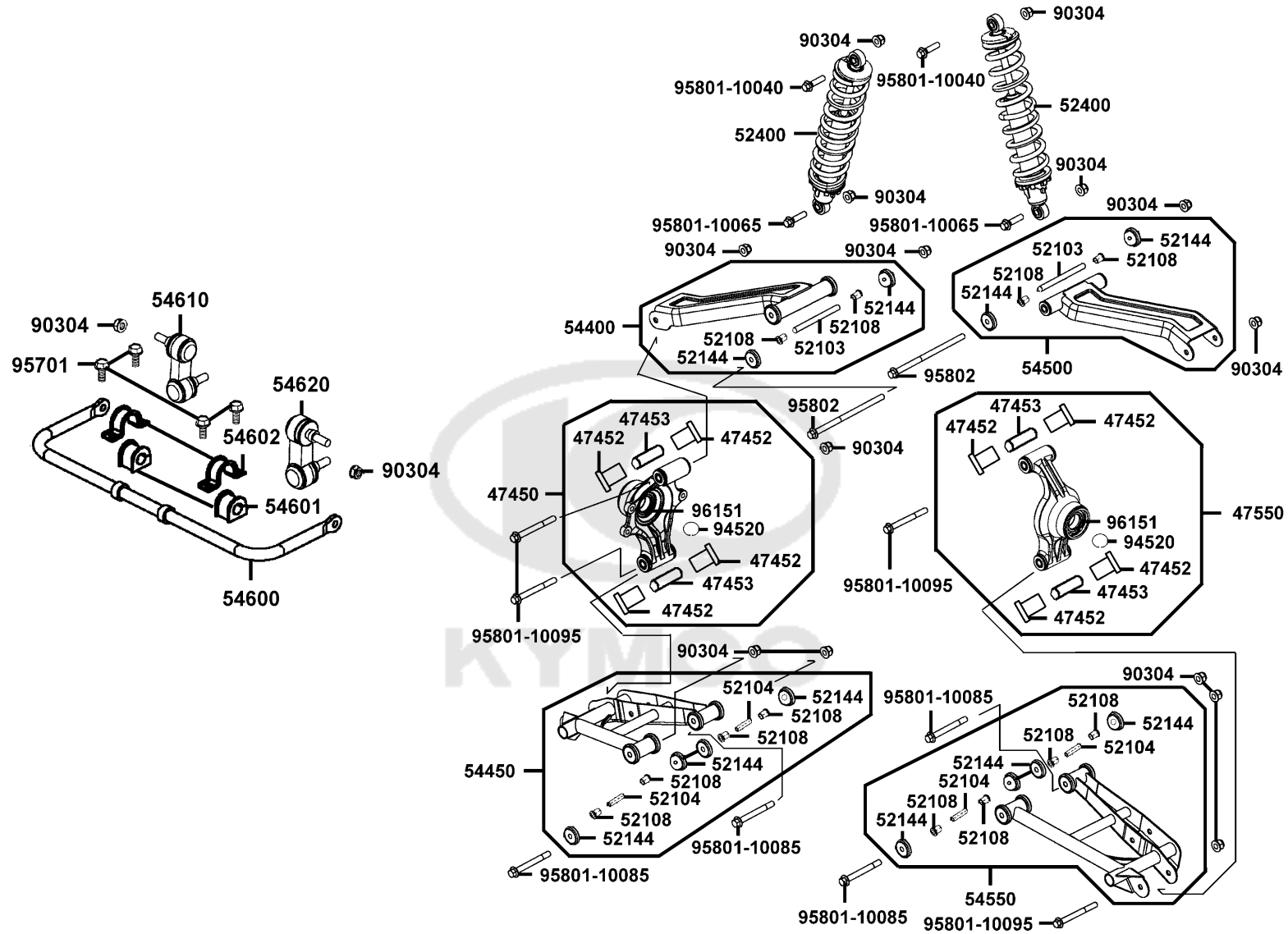


Sales mark	Ref no	Part no	Description	Reg description	Regd no	F15
	90501	90501-3L10-001	WASHER 7*12	WASHER 7*12	1	
	90545	90545-3L00-001	WASHER OIL BOLT	WASHER OIL BOLT	3	
	90652	90652-PWB1-900	X'MAS TREE CLIP	X'MAS TREE CLIP	1	
	94001-10080	94001-10080-0S	NUT CASTLE 10MM	NUT CASTLE 10MM	1	
	94001-LLB1	94001-LLB1-900	NUT HEX 6 MM	NUT HEX 6 MM	1	
	94050	94050-06060	NUT FLANGE 6MM	NUT FLANGE 6MM	1	
	94102-08000	94102-08000	WASHER PLAIN 8MM	WASHER PLAIN 8MM	1	
	94102-PWB1	94102-PWB1-900	WASHER FLAT	WASHER FLAT	1	
	94103	94103-08800	WASHER PLAIN 8MM	WASHER PLAIN 8MM	1	
	94201	94201-20120	PIN SPLIT 2*12	PIN SPLIT 2*12	1	
	94540	94540-06012	E RING	E RING	1	
	95701-06022	95701-06022-06	BOLT FLANGE 6*22	BOLT FLANGE 6*22	1	
#	95701-08012	95701-08012-06	BOLT FLANGE 8*12	BOLT FLANGE 8*12	1	
#	95701-08016	95701-08016-06	BOLT FLANGE 8*16	BOLT FLANGE 8*16	1	
#	96001	96001-06020-06	BOLT FLANGE SH 6*20	BOLT FLANGE SH 6*20	1	



Sales mark	Ref no	Part no	Description	Reg description	Regd no	<b>F16</b>
	47450	47450-PWB1-900	KNUCKLE REAR ASSEMBLY RH	KNUCKLE REAR ASSEMBLY RH	1	
	47452	47452-PWB1-900	BUSHING RR SUSPENSION	BUSHING RR SUSPENSION	8	
	47453	47453-PWB1-900	COLLAR SUSPENSION	COLLAR SUSPENSION	4	
	47550	47550-PWB1-900	KNUCKLE REAR ASSEMBLY LH	KNUCKLE REAR ASSEMBLY LH	1	
	52103	52103-PWB1-900	SLEEVE SUSPENSION	SLEEVE SUSPENSION	2	
	52104	52104-PWB1-900	SLEEVE SUSPENSION	SLEEVE SUSPENSION	4	
	52108	52108-PWB1-900	BUSHING SUSPENSION	BUSHING SUSPENSION	12	
	52144	52144-PWB1-900	SEAL SUSPENSION	SEAL SUSPENSION	10	
**	52400	52400-LGN5-E00	CUSHION ASSY RR	CUSHION ASSY RR	2	
**	54400	54400-PWB1-E00	CONTROL ARM RH/LH UPPER ASSY	CONTROL ARM RH/LH UPPER ASSY	1	
**	54450	54450-LGN5-E00	A-ARM RH/LH LWR ASSY	A-ARM RH/LH LWR ASSY	1	
**	54500	54500-PWB1-E00	CONTROL ARM RH/LH UPPER ASSY	CONTROL ARM RH/LH UPPER ASSY	1	
**	54550	54550-LGN5-E00	A-ARM RH/LH LWR ASSY	A-ARM RH/LH LWR ASSY	1	
	54600	54600-LGN5-E00	BAR. STABILIZER	BAR. STABILIZER	2	
	54601	54601-LFE9-E00	BUSH STABILIZER	BUSH STABILIZER	2	
	54602	54602-LFE9-E00	HOLDER STABILIZER	HOLDER STABILIZER	2	
	54610	54610-LFE9-E00	JOINT STABILIZER RH	JOINT STABILIZER RH	1	
	54620	54620-LFE9-E00	STABILIZER JOINT LH	STABILIZER JOINT LH	1	
	90304	90304-GLW0-90A	NUT U FLANGE 10MM	NUT U FLANGE 10MM	16	
	94520	94520-55000	CIR CLIP IN 55	CIR CLIP IN 55	2	

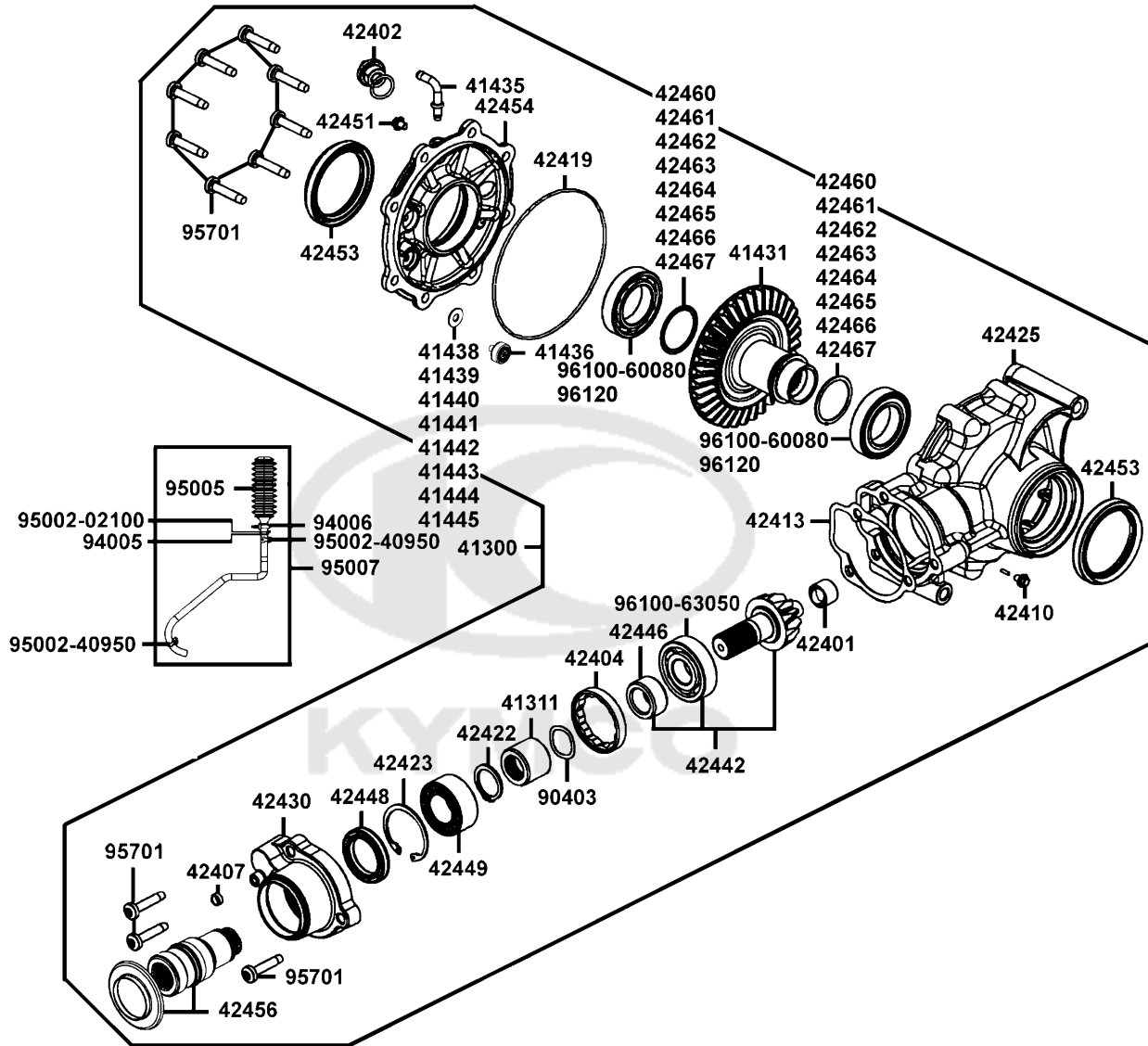




Sales mark	Ref no	Part no	Description	Reg description	Regd no	<b>F16</b>
#	95701	95701-08016-06	BOLT FLANGE 8*16	BOLT FLANGE 8*16	4	
#	95801-10040	95801-10040-06	BOLT FLANGE 10*40	BOLT FLANGE 10*40	1	
#	95801-10065	95801-10065-06	BOLT FLANGE 10*65	BOLT FLANGE 10*65	1	
	95801-10085	95801-10085-06	BOLT FLANGE 10*85	BOLT FLANGE 10*85	4	
	95801-10095	95801-10095-06	BOLT FLANGE 10*95	BOLT FLANGE 10*95	4	
	95802	95802-PWB1-900	SCREW CAP-HFH M10X1.25X180	SCREW CAP-HFH M10X1.25X180	2	
	96151	96151-PWB1-900	BEARING WHEEL	BEARING WHEEL	2	

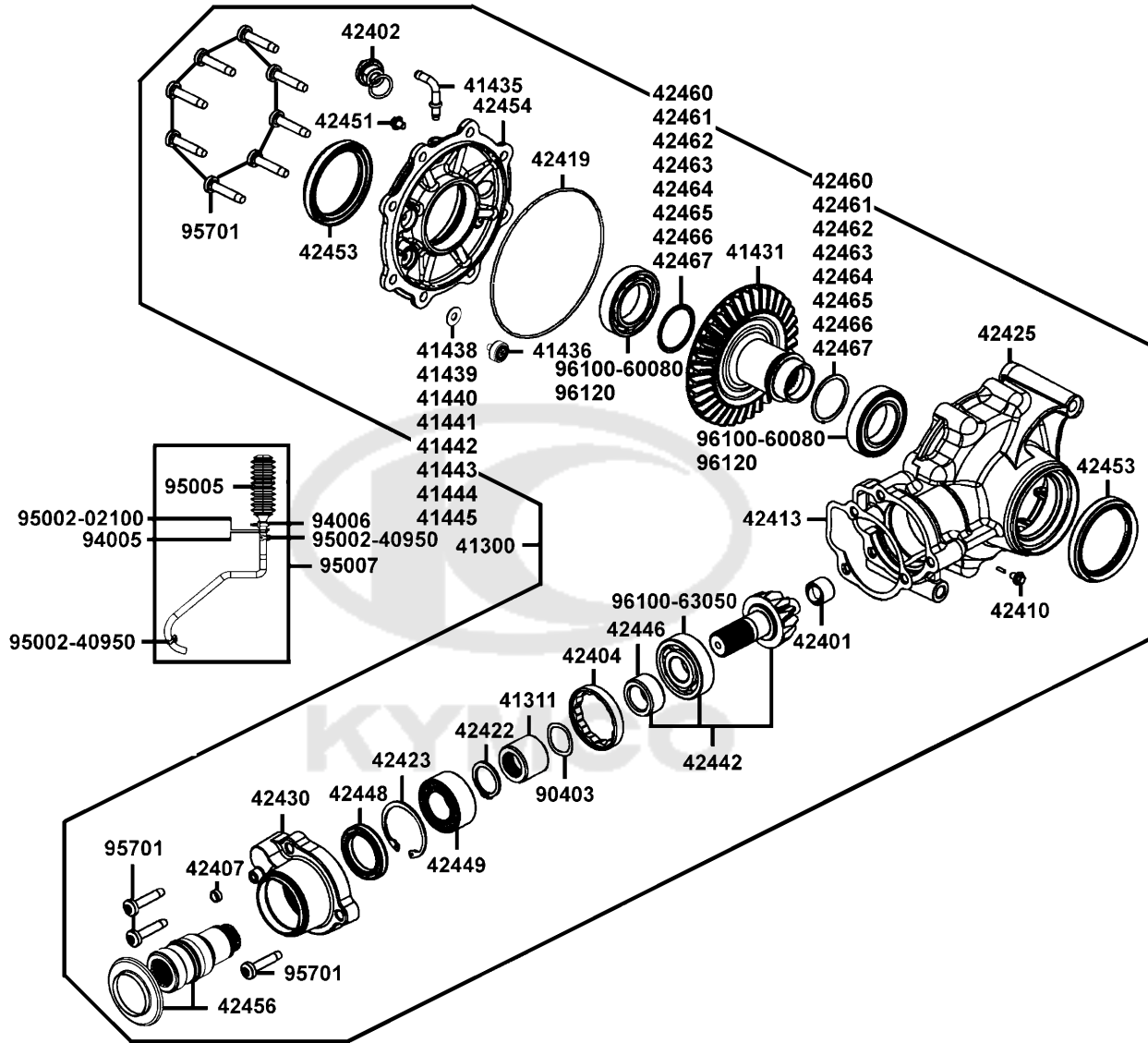


Control Arm Assy



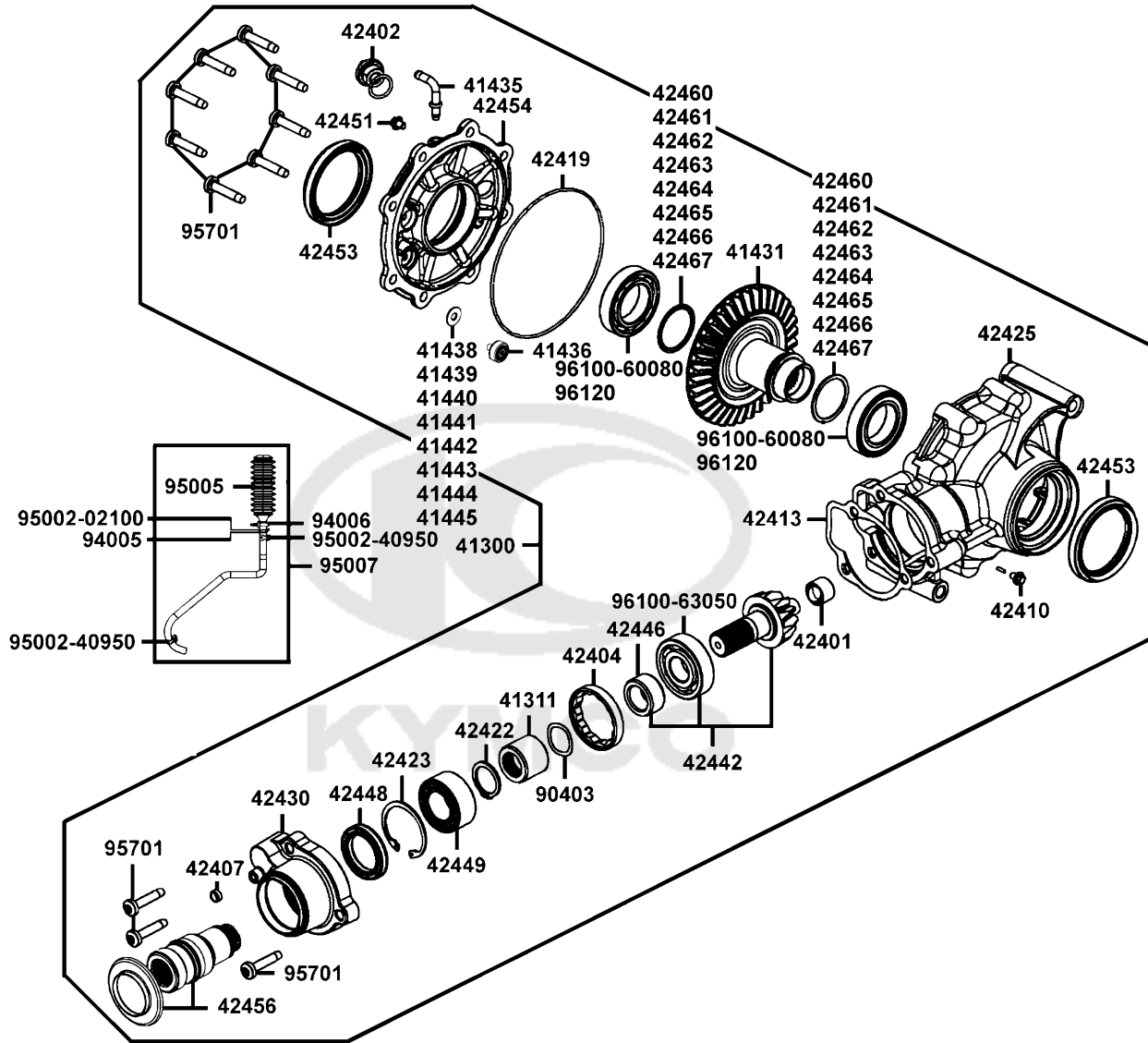
Sales mark	Ref no	Part no	Description	Reg description	Regd no	F17
	41300	41300-LGC3-900	GEARCASE REAR(3.1) ASSEMBLY	GEARCASE REAR(3.1) ASSEMBLY	1	
	41300	41300-PWB1-900	GEARCASE REAR(3.6)-ASSEMBLY	GEARCASE REAR(3.6)-ASSEMBLY	1	
	41311	41311-LFA5-900	COLLAR SHAFT SPLINED	COLLAR SHAFT SPLINED	1	
	41311	41311-PWB1-900	COLLAR SHAFT-SPLINED	COLLAR SHAFT-SPLINED	1	
	41431	41431-LFA5-900	GEAR REAR	GEAR REAR	1	
	41431	41431-PWB1-900	GEAR REAR(36 TOOTH)	GEAR REAR(36 TOOTH)	1	
	41435	41435-LFA5-900	BARB 90 DEG	BARB 90 DEG	1	
	41435	41435-PWB1-900	BARB 90	BARB 90	1	
	41436	41436-LFA5-900	BUTTON THRUST	BUTTON THRUST	1	
	41436	41436-PWB1-900	BUTTON THRUST	BUTTON THRUST	1	
	41438	41438-LFA5-900	SHIM 6.3*18*1.0	SHIM 6.3*18*1.0	1	
	41438	41438-PWB1-900	SHIM 6.3*18*1.3	SHIM 6.3*18*1.3	1	
	41439	41439-LFA5-900	SHIM 6.3*18*1.1	SHIM 6.3*18*1.1	1	
	41439	41439-PWB1-900	SHIM 6.3*18*1.4	SHIM 6.3*18*1.4	1	
	41440	41440-LFA5-900	SHIM 6.3*18*1.2	SHIM 6.3*18*1.2	1	
	41440	41440-PWB1-900	SHIM 6.3*18*1.5	SHIM 6.3*18*1.5	1	
	41441	41441-LFA5-900	SHIM 6.3*18*1.3	SHIM 6.3*18*1.3	1	
	41441	41441-PWB1-900	SHIM 6.3*18*1.6	SHIM 6.3*18*1.6	1	
	41442	41442-LFA5-900	SHIM 6.3*18*1.4	SHIM 6.3*18*1.4	1	
	41442	41442-PWB1-900	SHIM 6.3*18*1.7	SHIM 6.3*18*1.7	1	

Control Arm Assy



Sales mark	Ref no	Part no	Description	Reg description	Regd no	F17
	41443	41443-LFA5-900	SHIM 6.3*18*1.5	SHIM 6.3*18*1.5	1	
	41444	41444-LFA5-900	SHIM 6.3*18*1.6	SHIM 6.3*18*1.6	1	
	41445	41445-LFA5-900	SHIM 6.3*18*1.7	SHIM 6.3*18*1.7	1	
#	42401	42401-LFA5-900	BEARING NEEDLE	BEARING NEEDLE	1	
#	42401	42401-LFA5-90B	BEARING.NEEDLE(16NQ2316)	BEARING.NEEDLE(16NQ2316)	1	
#	42401	42401-PWB1-900	BEARING NEEDLE(16NQ2316)	BEARING NEEDLE(16NQ2316)	1	
	42402	42402-PWB1-900	PLUG FULL	PLUG FULL	1	
	42404	42404-LFA5-910	COLLAR LOCK M64X1.5 LH	COLLAR LOCK M64X1.5 LH	1	
	42404	42404-PWB1-910	COLLAR LOCK-M64X1.5LH	COLLAR LOCK-M64X1.5LH	1	
	42407	42407-LFA5-900	PIN DOWEL	PIN DOWEL	1	
	42407	42407-PWB1-900	PIN DOWEL	PIN DOWEL	1	
	42410	42410-LFA5-900	PLUG DRAIN MAG	PLUG DRAIN MAG	1	
	42410	42410-PWB1-900	PLUG DRAIN-MAG	PLUG DRAIN-MAG	1	
	42413	42413-LFA5-900	GASKET FLANGE	GASKET FLANGE	1	
	42413	42413-PWB1-900	GASKET FLANGE	GASKET FLANGE	1	
	42419	42419-LFA5-900	O-RING 150*2MM	O-RING 150*2MM	1	
	42419	42419-PWB1-900	O-RING 150X2MM	O-RING 150X2MM	1	
	42422	42422-LFA5-900	RING RETAINING ONE	RING RETAINING ONE	1	
	42422	42422-PWB1-900	RING RETAINING ONE	RING RETAINING ONE	1	
	42423	42423-LFA5-900	RING RETAINING	RING RETAINING	1	

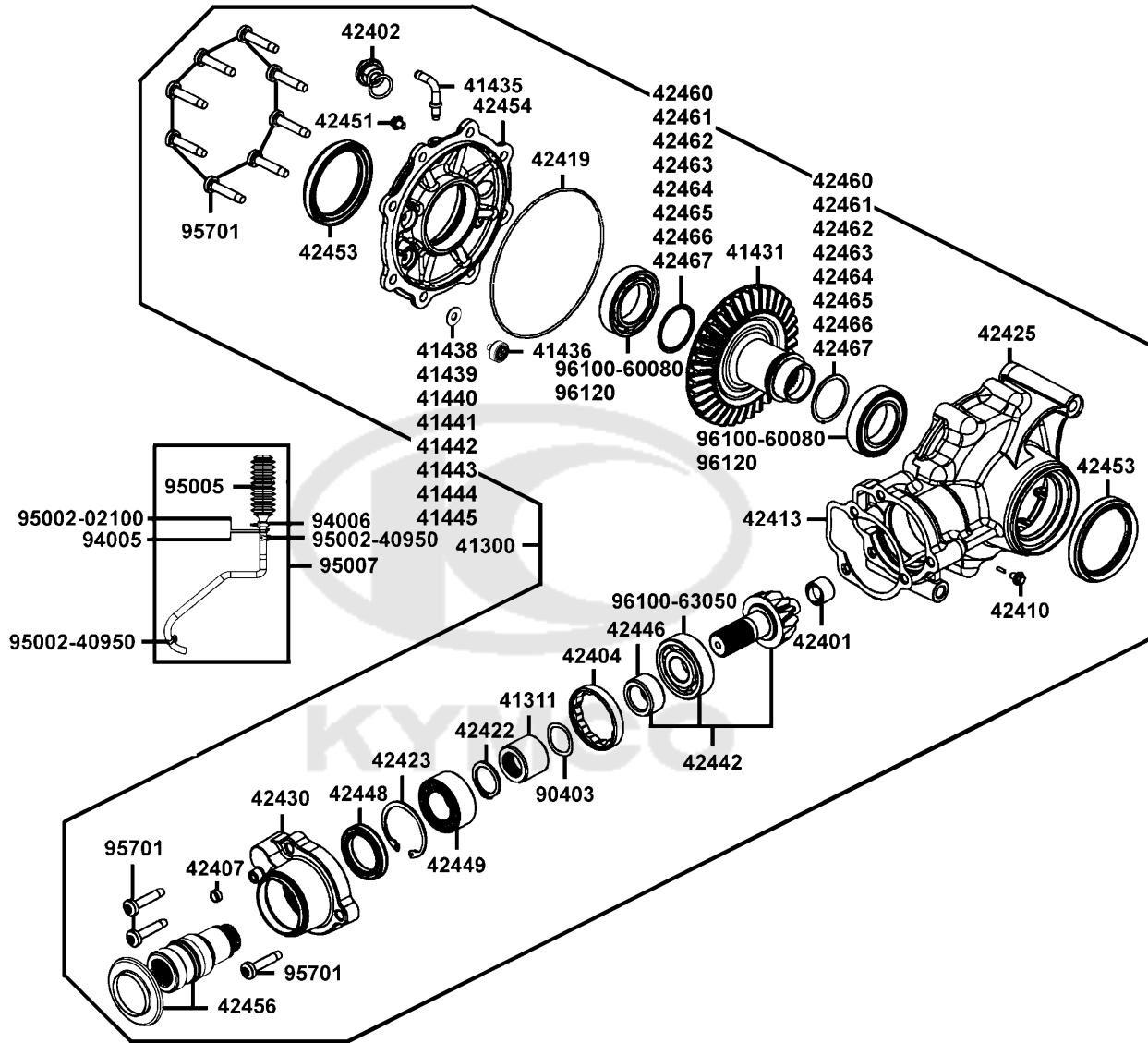
Control Arm Assy



Sales mark	Ref no	Part no	Description	Reg description	Regd no	F17
	42423	42423-PWB1-900	RING RETAINING	RING RETAINING	1	
	42425	42425-PWB1-910	HOUSING GEARCASE-REAR MACH	HOUSING GEARCASE-REAR MACH	1	
	42430	42430-LFA5-910	HOUSING PINION-MACH	HOUSING PINION-MACH	1	
	42430	42430-PWB1-910	HOUSING PINION-MACH	HOUSING PINION-MACH	1	
	42442	42442-LFA5-900	PINION(11 TOOTH)-ASSEMBLY	PINION(11 TOOTH)-ASSEMBLY	1	
	42442	42442-PWB1-900	PINION(10 TOOTH)-ASSEMBLY	PINION(10 TOOTH)-ASSEMBLY	1	
	42446	42446-PWB1-900	COLLAR RETAINING	COLLAR RETAINING	1	
	42448	42448-LFA5-900	SEAL 38*55*14	SEAL 38*55*14	1	
	42448	42448-PWB1-900	SEAL 38X55X14	SEAL 38X55X14	1	
#	42449	42449-LFA5-900	BEARING BALL DOUBLE ROW	BEARING BALL DOUBLE ROW	1	
#	42449	42449-LFA5-90B	BEARING.BALL-DOUBLE ROW	BEARING.BALL-DOUBLE ROW	1	
#	42449	42449-PWB1-900	BEARING BALL-DOUBLE ROW	BEARING BALL-DOUBLE ROW	1	
	42451	42451-LFA5-900	PLUG OIL LEVEL	PLUG OIL LEVEL	1	
	42451	42451-PWB1-900	PLUG OIL LEVEL	PLUG OIL LEVEL	1	
	42453	42453-LGC3-900	OIL SEAL 48*84*9	OIL SEAL 48*84*9	2	
	42453	42453-PWB1-900	SEAL 67X84X9	SEAL 67X84X9	2	
	42454	42454-LFA5-910	COVER GEARCASE-RR MACH	COVER GEARCASE-RR MACH	1	
	42454	42454-PWB1-910	COVER GEARCASE-REAR MACH	COVER GEARCASE-REAR MACH	1	
	42456	42456-LFA5-900	SHAFT INPUT ASSEMBLY	SHAFT INPUT ASSEMBLY	1	
	42456	42456-PWB1-900	SHAFT INPUT-ASSEMBLY	SHAFT INPUT-ASSEMBLY	1	

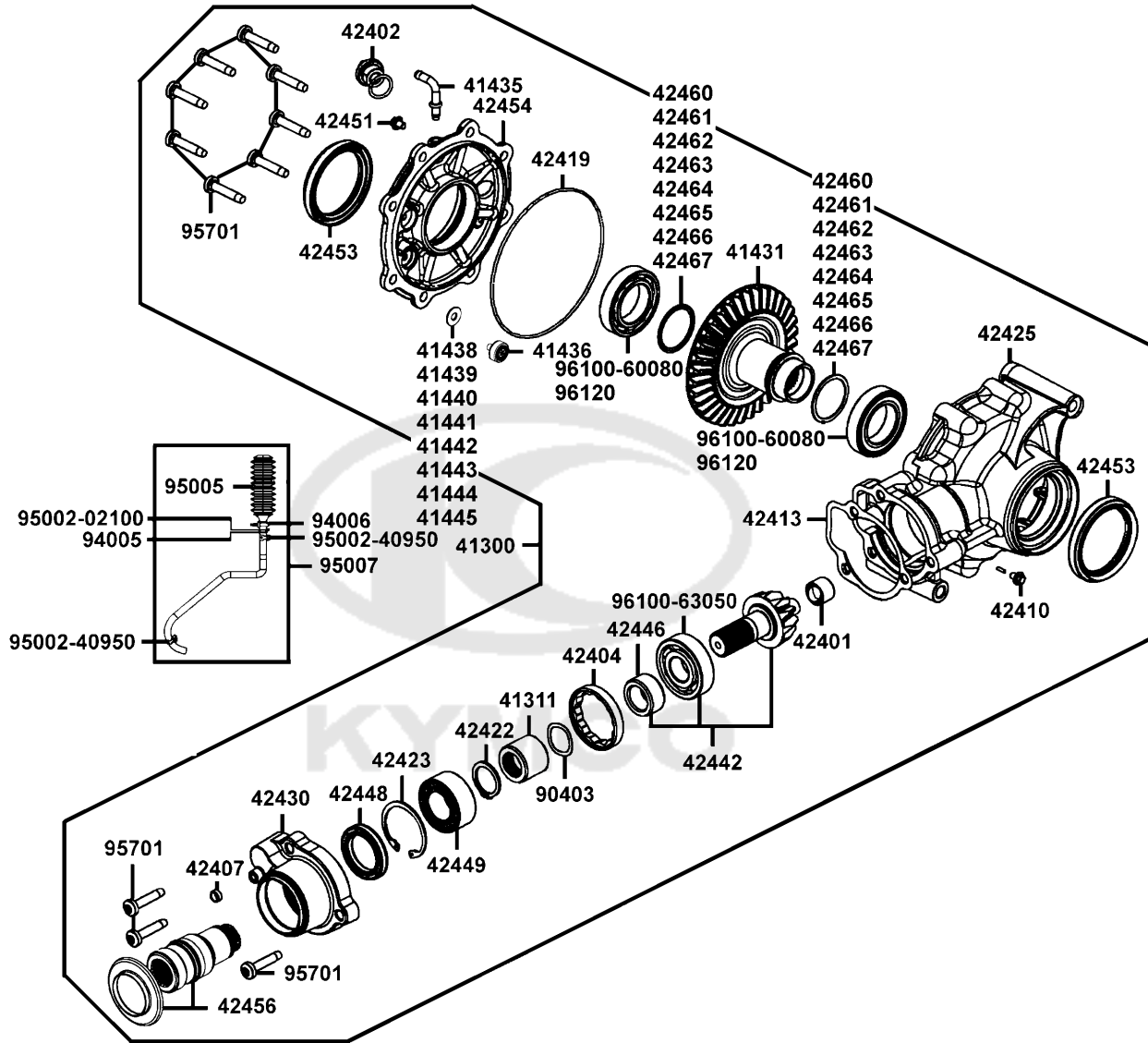


Control Arm Assy



Sales mark	Ref no	Part no	Description	Reg description	Regd no	F17
42460		42460-LFA5-900	SHIM 41*49*1.0	SHIM 41*49*1.0	2	
42461		42461-LFA5-900	SHIM 41*49*1.1	SHIM 41*49*1.1	2	
42462		42462-LFA5-900	SHIM 41*49*1.2	SHIM 41*49*1.2	2	
42463		42463-LFA5-900	SHIM 41*49*1.3	SHIM 41*49*1.3	2	
42463		42463-PWB1-900	SHIM 41*49*1.3	SHIM 41*49*1.3	2	
42464		42464-LFA5-900	SHIM 41*49*1.4	SHIM 41*49*1.4	2	
42464		42464-PWB1-900	SHIM 41*49*1.4	SHIM 41*49*1.4	2	
42465		42465-LFA5-900	SHIM 41*49*1.5	SHIM 41*49*1.5	2	
42465		42465-PWB1-900	SHIM 41*49*1.5	SHIM 41*49*1.5	2	
42466		42466-LFA5-900	SHIM 41*49*1.6	SHIM 41*49*1.6	2	
42466		42466-PWB1-900	SHIM 41*49*1.6	SHIM 41*49*1.6	2	
42467		42467-LFA5-900	SHIM 41*49*1.7	SHIM 41*49*1.7	2	
42467		42467-PWB1-900	SHIM 41*49*1.7	SHIM 41*49*1.7	2	
90403		90403-LFA5-900	WASHER WAVE SPRING	WASHER WAVE SPRING	1	
90403		90403-PWB1-900	WASHER WAVE SPRING	WASHER WAVE SPRING	1	
94005		94005-PWB1-900	HOSE BARB INTAKE MANIFOLD	HOSE BARB INTAKE MANIFOLD	1	
94006		94006-PWB1-900	ROUTING CLIP SNAP-IN	ROUTING CLIP SNAP-IN	1	
95002-02100		95002-02100	CLIP B15 TUBE	CLIP B15 TUBE	1	
95002-40950		95002-40950-08	CLAMP D9.5 TUBE	CLAMP D9.5 TUBE	2	
95005		95005-PWB1-900	BREATH TUBE RR GEAR ASSY	BREATH TUBE RR GEAR ASSY	1	

Control Arm Assy



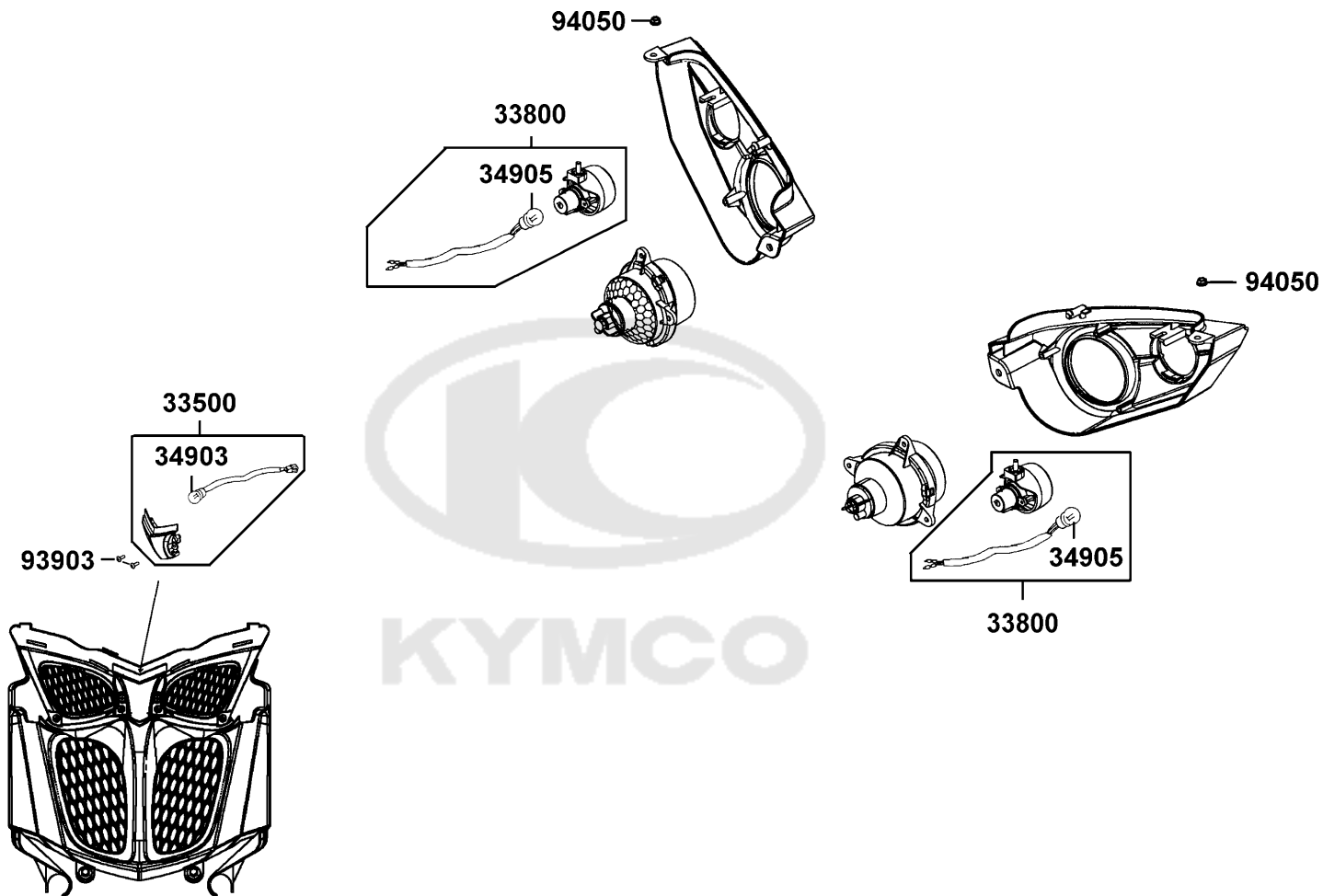
Sales mark	Ref no	Part no	Description	Reg description	Regd no	<b>F17</b>
------------	--------	---------	-------------	-----------------	---------	------------

	95007	95007-LFA5-900	HOSE VENT-GEARCASE	HOSE VENT-GEARCASE	1	
#	95701	95701-08040-06	BOLT FLANGE 8x40 (G)	BOLT FLANGE 8x40 (G)	12	
	96100-60080	96100-60080-00	BRG RADIAL BALL 6008	BRG RADIAL BALL 6008	2	
	96100-63050	96100-63050-00	BRG BALL RADIAL 6305	BRG BALL RADIAL 6305	1	
	96120	96120-60080-00	BEARING BALL 6008Z	BEARING BALL 6008Z	2	



F18

Winker Assy Fr

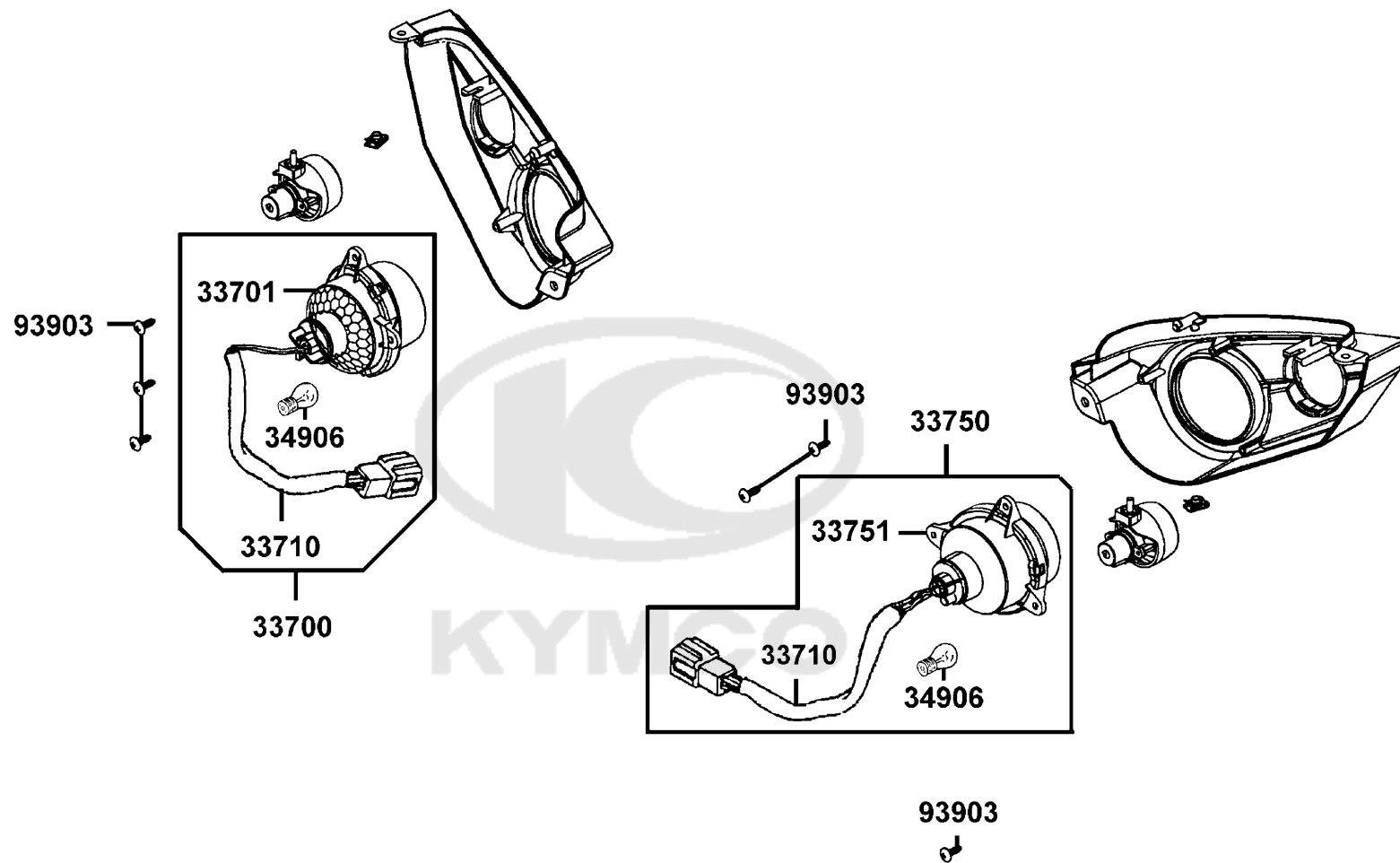


Sales mark	Ref no	Part no	Description	Reg description	Regd no	<b>F18</b>
	33500	33500-LGN5-E00	LIGHT ASSY FR POSITION	LIGHT ASSY FR POSITION	1	
	33800	33800-LGN5-900	LIGHT ASSY REVERSE	LIGHT ASSY REVERSE	2	
	34903	34903-KPCP-900	BULB POSITION	BULB POSITION	1	
	34905	34905-LCA5-900	BULB POSITION 12V5W	BULB POSITION 12V5W	2	
#	93903	93903-34360	SCREW TAPPING 4*12 (G)	SCREW TAPPING 4*12 (G)	2	
	94050	94050-05060	NUT FLANGE 5MM	NUT FLANGE 5MM	2	



F19

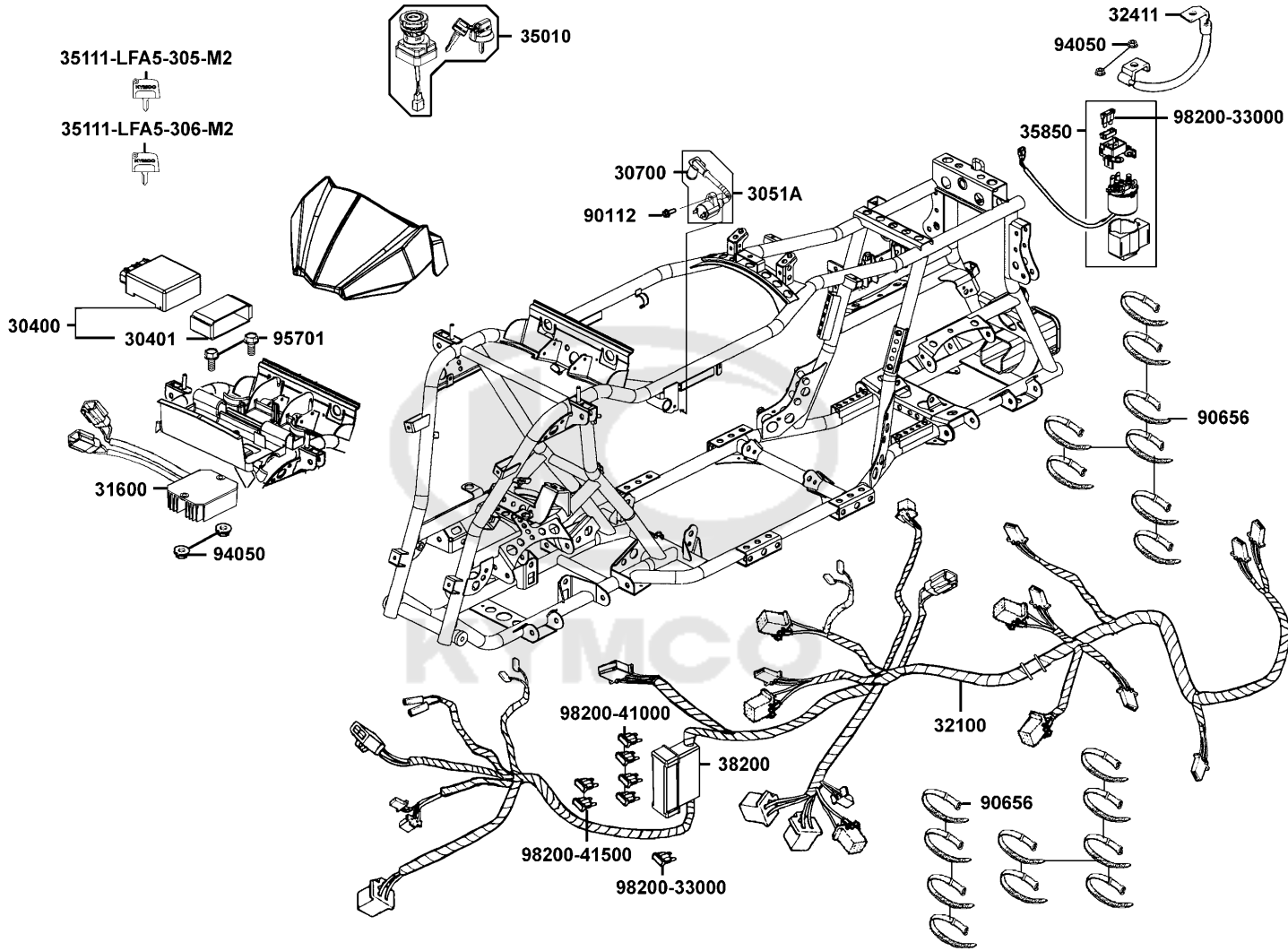
Light Tail



Sales mark	Ref no	Part no	Description	Reg description	Regd no	<b>F19</b>
	33700	33700-LGN5-900	LIGHT ASSY R RR COMB	LIGHT ASSY R RR COMB	1	
	33701	33701-LGN5-E00	UNIT TAIL LIGHT R	UNIT TAIL LIGHT R	1	
	33710	33710-LGN5-900	SOCKET COMP RR COMB	SOCKET COMP RR COMB	2	
	33750	33750-LGN5-900	LIGHT ASSY L RR COMB	LIGHT ASSY L RR COMB	1	
	33751	33751-LGN5-E00	UNIT TAIL LIGHT L	UNIT TAIL LIGHT L	1	
	34906	34906-KPCP-900	BULB TAIL & STOP	BULB TAIL & STOP	2	
#	93903	93903-35360	SCREW TAPPING 5*16	SCREW TAPPING 5*16	6	



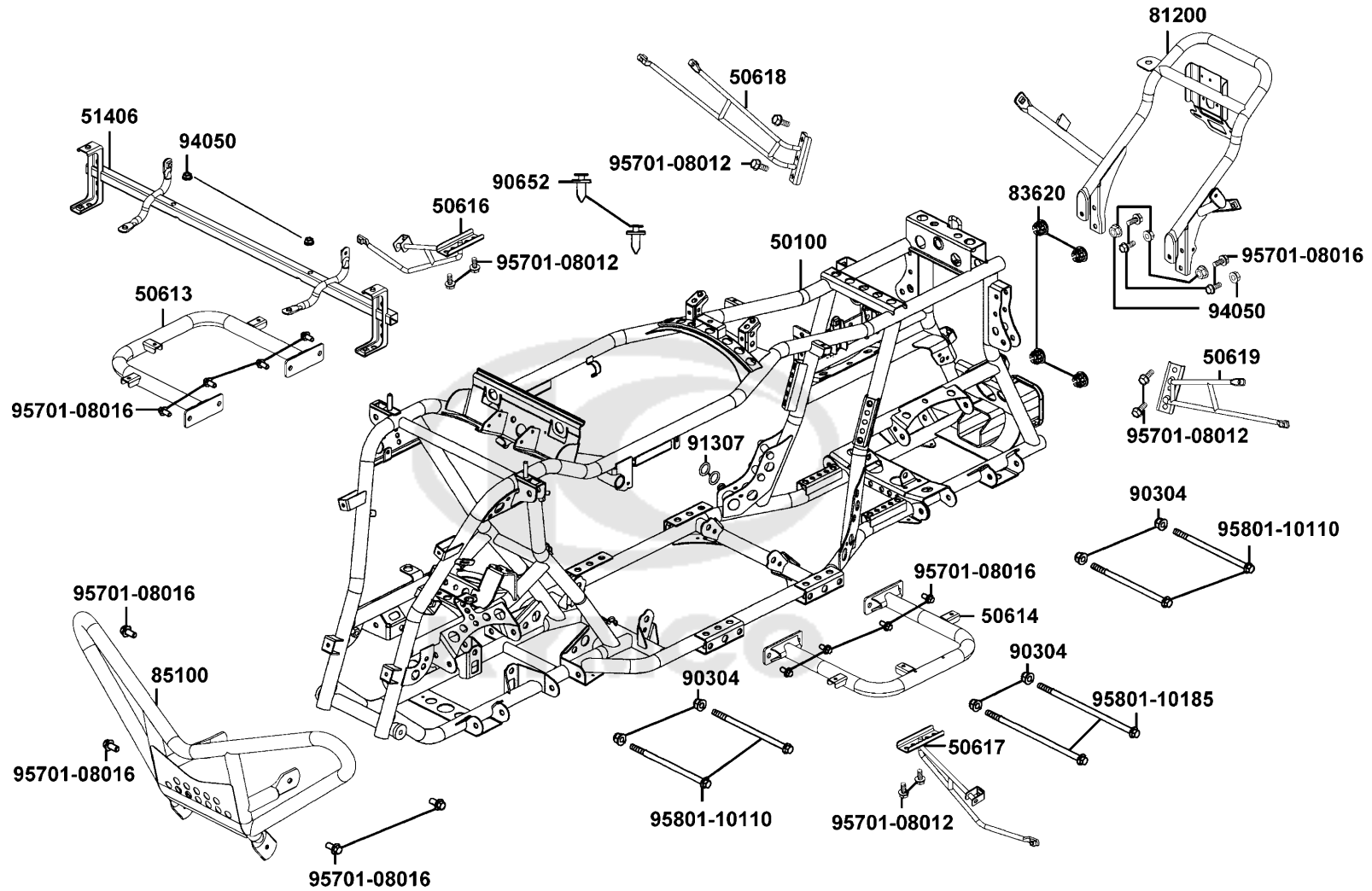




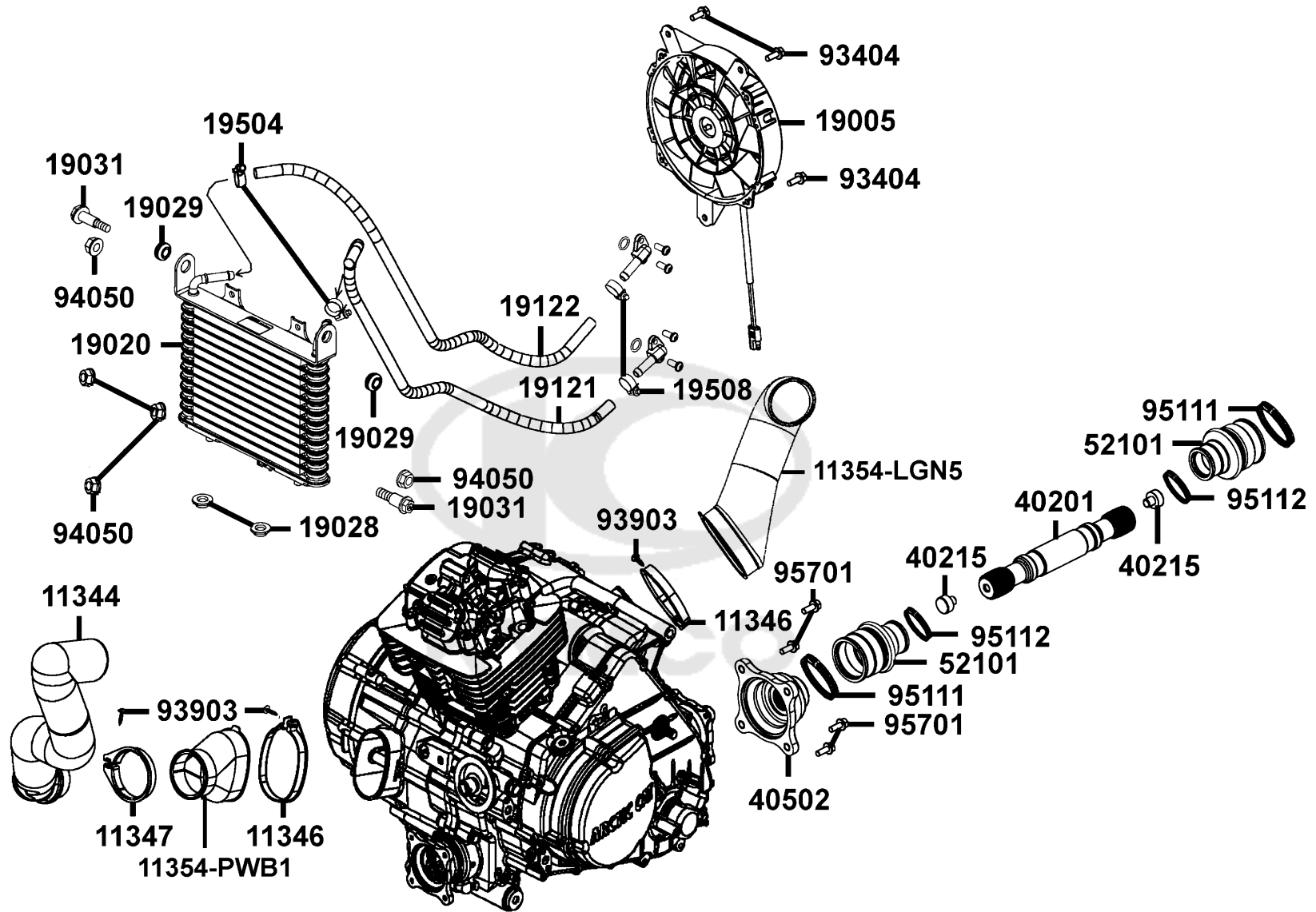
Sales mark	Ref no	Part no	Description	Reg description	Regd no	F20
	30400	30400-PWB1-900	UNIT ASS'Y IGNITION	UNIT ASS'Y IGNITION	1	
	30401	30401-PWB1-900	CUSHION CDI UNIT	CUSHION CDI UNIT	1	
	3051A	3051A-LGN5-E00	COIL ASS'Y IGNITION	COIL ASS'Y IGNITION	1	
	30700	30700-PWB1-900	CAP ASSY NOISE SUPPRESSO	CAP ASSY NOISE SUPPRESSO	1	
	31600	31600-PWB1-900	REG RECT COMP	REG RECT COMP	1	
	32100	32100-LGN5-900	HARNESS WIRE	HARNESS WIRE	1	
	32411	32411-LGN5-E00	CABLE BAT	CABLE BAT	1	
	35010	35010-LFA5-900	KEY SET	KEY SET	1	
	35111-LFA5-305	35111-LFA5-305-M2	KEY COMP (R TANGENT PLANE/TJ)	KEY COMP (R TANGENT PLANE/TJ)	1	
	35111-LFA5-306	35111-LFA5-306-M2	KEY COMP (L TANGENT PLANE/TJ)	KEY COMP (L TANGENT PLANE/TJ)	1	
	35850	35850-LBA2-E00	SET START MAG	SET START MAG	1	
	38200	38200-PWB1-900	BLADE FUSE 30A	BLADE FUSE 30A	1	
	90112	90112-KRDR-900	BOLT FLANGE 5*22	BOLT FLANGE 5*22	1	
	90656	90656-KCBC-900	BAND OIL HANDLE	BAND OIL HANDLE	18	
	94050	94050-06080	NUT FLANGE 6MM	NUT FLANGE 6MM	4	
#	95701	95701-06016-06	BOLT FLANGE 6*16 (K)	BOLT FLANGE 6*16 (K)	2	
	98200-33000	98200-33000	BLADE FUSE 30A	BLADE FUSE 30A	2	
	98200-41000	98200-41000	FUSE 10A	FUSE 10A	4	
	98200-41500	98200-41500	FUSE 15A	FUSE 15A	2	

F21

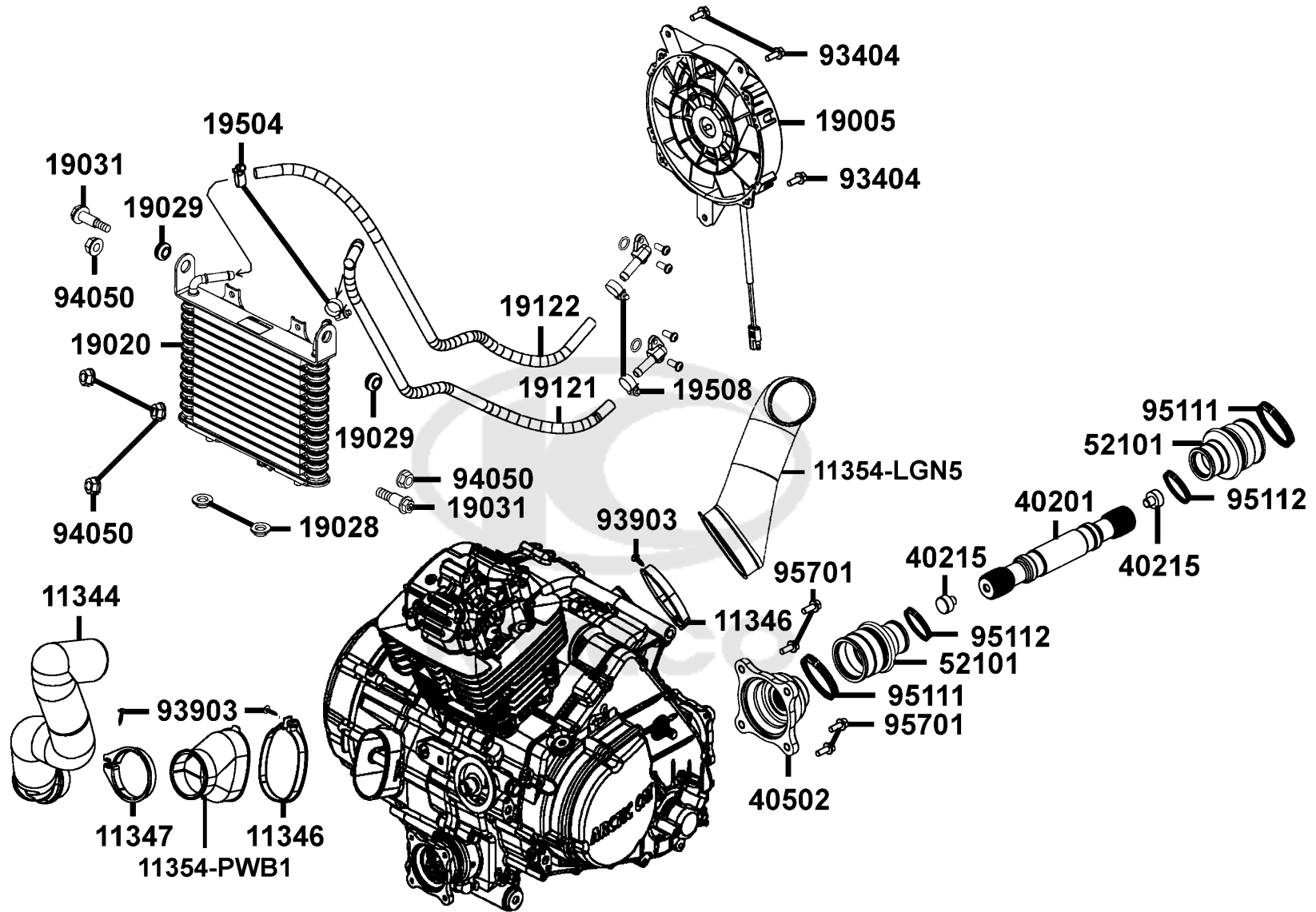
Frame Body



Sales mark	Ref no	Part no	Description	Reg description	Regd no	F21
	50100	50100-LGN5-900	BODY COMP FRAME	BODY COMP FRAME	1	
	50613	50613-LGN5-E00	FOOTREST R-WELDMENT	FOOTREST R-WELDMENT	1	
	50614	50614-LGN5-E00	FOOTREST L-WELDMENT	FOOTREST L-WELDMENT	1	
	50616	50616-LGN5-E00	STAY R FRONT FENDER	STAY R FRONT FENDER	1	
	50617	50617-LGN5-E00	STAY L FRONT FENDER	STAY L FRONT FENDER	1	
	50618	50618-LGN5-E00	STAY R REAR FENDER	STAY R REAR FENDER	1	
	50619	50619-LGN5-E00	STAY L REAR FENDER	STAY L REAR FENDER	1	
	51406	51406-LGN5-E00	TUBE COMP HEADLIGHT	TUBE COMP HEADLIGHT	1	
	81200	81200-LGN5-900	RACK REAR	RACK REAR	1	
	83620	83620-LFA5-E00	CAP PIPE	CAP PIPE	4	
**	85100	85100-LGN5-E00	BUMPER FRONT	BUMPER FRONT	1	
	90304	90304-GLW0-90A	NUT U FLANGE 10MM	NUT U FLANGE 10MM	6	
	90652	90652-LDB5-900	CLIP MUDGUARD	CLIP MUDGUARD	2	
	91307	91307-PWB1-900	O-RING 10.82X1.778	O-RING 10.82X1.778	2	
	94050	94050-08060	NUT FLANGE 8MM	NUT FLANGE 8MM	6	
#	95701-08012	95701-08012-06	BOLT FLANGE 8*12	BOLT FLANGE 8*12	8	
#	95701-08016	95701-08016-06	BOLT FLANGE 8*16	BOLT FLANGE 8*16	16	
	95801-10110	95801-10110-06	BOLT FLANGE 10*110	BOLT FLANGE 10*110	4	
	95801-10185	95801-10185-06	BOLT FLANGE 10*185 (G)	BOLT FLANGE 10*185 (G)	2	



Sales mark	Ref no	Part no	Description	Reg description	Regd no	F22
11344		11344-PWB1-900	DUCT BELT AIR OUT	DUCT BELT AIR OUT	1	
11346		11346-PWB1-900	CLAMP PLASTC-SCREW-OVAL	CLAMP PLASTC-SCREW-OVAL	2	
11347		11347-PWB1-900	CLAMP PLASTC-SCREW-OVAL	CLAMP PLASTC-SCREW-OVAL	2	
11354-LGN5		11354-LGN5-E00	BOOT AIR-OUT	BOOT AIR-OUT	1	
11354-PWB1		11354-PWB1-900	BOOT AIR-IN	BOOT AIR-IN	2	
19005		19005-PWB1-900	FAN COOLIGN SMALL 6-	FAN COOLIGN SMALL 6-	1	
19020		19020-PWB1-900	COOLER OIL	COOLER OIL	1	
19028		19028-PWB1-900	BUSHING STEM	BUSHING STEM	2	
19029		19029-PWB1-900	GROMMET	GROMMET	2	
19031		19031-PWB1-900	BOLT SHOULDER	BOLT SHOULDER	2	
19121		19121-PWB1-900	HOSE OIL 30	HOSE OIL 30	1	
19122		19122-PWB1-900	HOSE OIL-OUT	HOSE OIL-OUT	1	
19504		19504-LBA2-E00	CLAMP D16.8	CLAMP D16.8	2	
19508		19508-LEE8-E00	CLAMP 20.0	CLAMP 20.0	2	
40201		40201-PWB1-900	SHAFT PROPELLER-REAR	SHAFT PROPELLER-REAR	1	
40215		40215-PWB1-900	BUMPER DRIVESHAFT	BUMPER DRIVESHAFT	2	
40502		40502-PWB1-900	FLANGE OUTPUT	FLANGE OUTPUT	1	
52101		52101-PWB1-900	BOOT COUPLER	BOOT COUPLER	2	
93404		93404-06016-06	BOLT WASHER 6*16	BOLT WASHER 6*16	3	
93903		93903-45360	SCREW TAPPING 5*16	SCREW TAPPING 5*16	3	



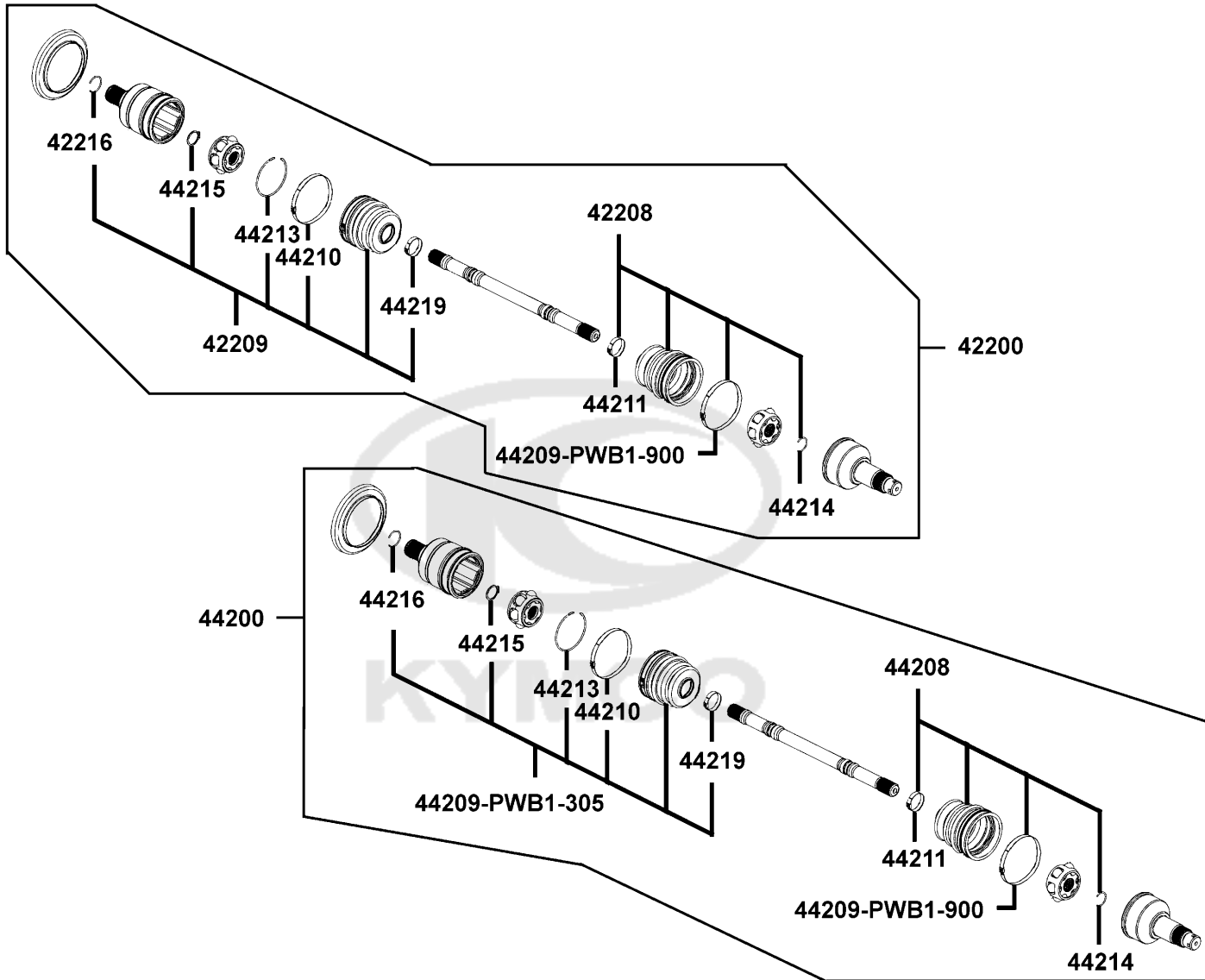
Sales mark	Ref no	Part no	Description	Reg description	Regd no	<b>F22</b>
	94050	94050-06060	NUT FLANGE 6MM	NUT FLANGE 6MM	5	
	95111	95111-PWB1-900	CLAMP BOOT	CLAMP BOOT	2	
	95112	95112-PWB1-900	CLAMP 30mm-BOOT	CLAMP 30mm-BOOT	2	
	95701	95701-08020-06	BOLT FLANGE 8*20	BOLT FLANGE 8*20	4	



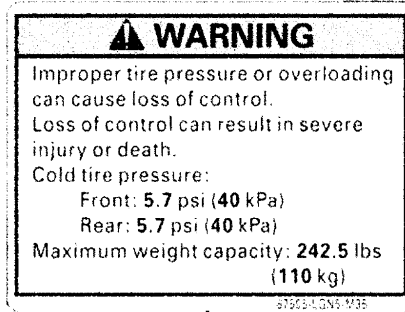


F23

### Separated Parts Of Halfshaft



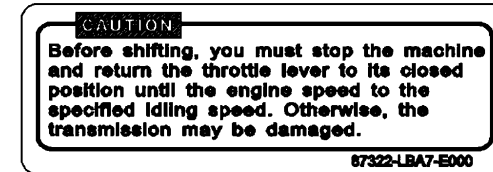
Sales mark	Ref no	Part no	Description	Reg description	Regd no	<b>F23</b>
42200		42200-PWB1-800	HALFSHAFT REAR	HALFSHAFT REAR	1	
42208		42208-PWB1-305	WHEEL SIDE BOOT SERVICE KIT	WHEEL SIDE BOOT SERVICE KIT	1	
42209		42209-PWB1-305	DIFF SIDE BOOT SERVICE KIT	DIFF SIDE BOOT SERVICE KIT	1	
42216		42216-PWB1-900	CIRCLIP (DOJ STEM)	CIRCLIP (DOJ STEM)	1	
44200		44200-PWB1-800	HALFSHAFT FRONT	HALFSHAFT FRONT	1	
44208		44208-PWB1-305	WHEEL SIDE BOOT SERVICE KIT	WHEEL SIDE BOOT SERVICE KIT	2	
44209-PWB1-305		44209-PWB1-305	DIFF SIDE BOOT SERVICE KIT	DIFF SIDE BOOT SERVICE KIT	2	
44209-PWB1-900		44209-PWB1-900	BOOT-BAND (L)	BOOT-BAND (L)	2	
44210		44210-PWB1-900	BOOT-BAND (L)	BOOT-BAND (L)	2	
44211		44211-PWB1-900	BOOT-BAND (S)	BOOT-BAND (S)	2	
44213		44213-PWB1-900	CIRCLIP (DOJ MONTH)	CIRCLIP (DOJ MONTH)	2	
44214		44214-PWB1-900	CIRCLIP	CIRCLIP	2	
44215		44215-PWB1-900	SNAP RING	SNAP RING	2	
44216		44216-PWB1-900	CIRCLIP (DOJ STEM)	CIRCLIP (DOJ STEM)	2	
44219		44219-PWB1-900	BOOT-BAND (S)	BOOT-BAND (S)	2	



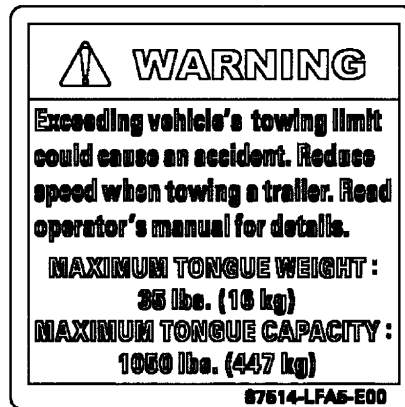
87505



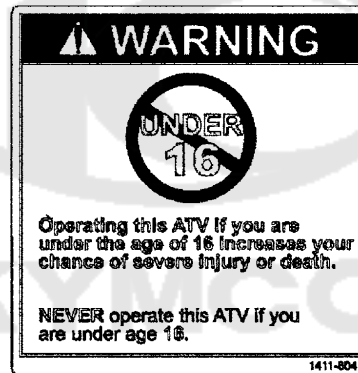
87560



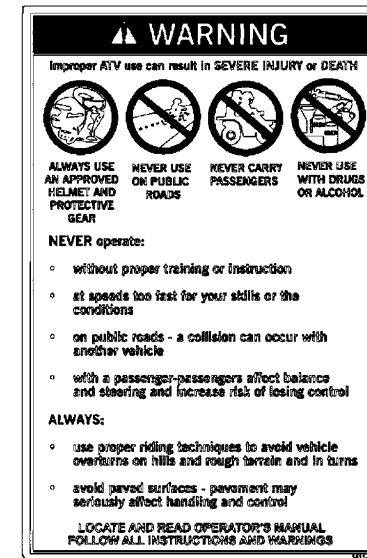
87322



87514



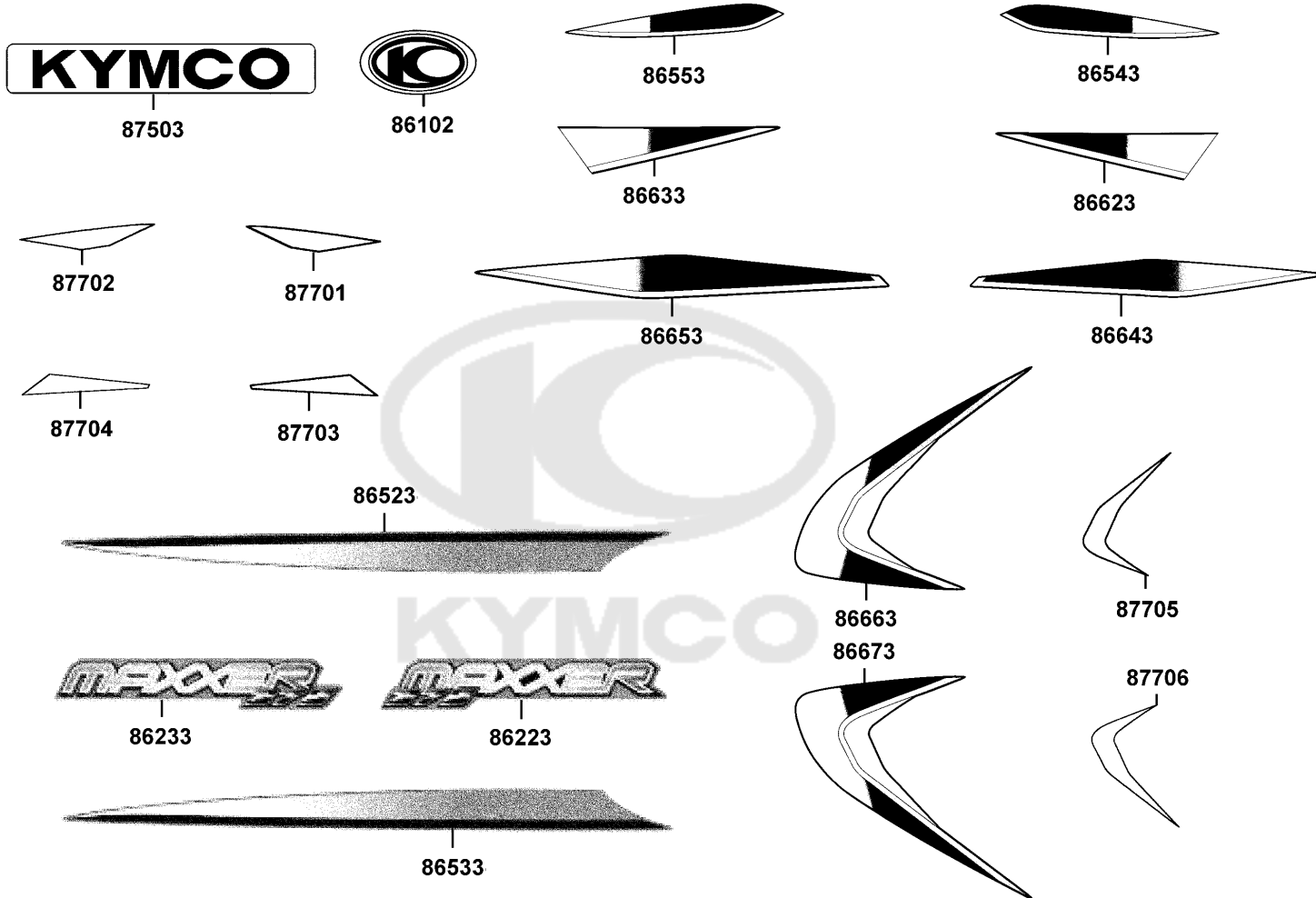
87517



87515

Sales mark	Ref no	Part no	Description	Reg description	Regd no	<b>F24</b>
**	87322	87322-LBA7-E00	CAUTION SHIFIT GEARS	CAUTION SHIFIT GEARS	1	
**	87505	87505-LGN5-M35	LABEL TIRE OFF ROAD	LABEL TIRE OFF ROAD	1	
**	87514	87514-LFA5-E00	WARNING MAXIMUM CAPACITY	WARNING MAXIMUM CAPACITY	1	
**	87515	87515-PWB1-M35	WARNING GENERAL USE	WARNING GENERAL USE	1	
**	87517	87517-PWB1-M35	WARNING AGE-16	WARNING AGE-16	1	
**	87560	87560-PWB1-M35	WARNING DOUBLE RIDER	WARNING DOUBLE RIDER	1	





Sales mark	Ref no	Part no	Description	Reg description	Regd no	F25
**	86102	86102-LDB5-900	STRIPE K-LOGO 28.5MM	STRIPE K-LOGO 28.5MM	1	
**	86223	86223-LGN5-M30	STRIPE R FUEL TANK	STRIPE R FUEL TANK	1	
**	86233	86233-LGN5-M30	STRIPE L FUEL TANK	STRIPE L FUEL TANK	1	
**	86523	86523-LGN5-M30	STRIPE R FENDER FRONT	STRIPE R FENDER FRONT	1	
**	86533	86533-LGN5-M30	STRIPE L FENDER FRONT	STRIPE L FENDER FRONT	1	
**	86543	86543-LGN5-E60	STRIPE B R FENDER FRONT	STRIPE B R FENDER FRONT	1	
**	86553	86553-LGN5-E60	STRIPE B L FENDER FRONT	STRIPE B L FENDER FRONT	1	
**	86623	86623-LGN5-E60	STRIPE R FENDER REAR	STRIPE R FENDER REAR	1	
**	86633	86633-LGN5-E60	STRIPE L FENDER REAR	STRIPE L FENDER REAR	1	
**	86643	86643-LGN5-E60	STRIPE B R FENDER REAR	STRIPE B R FENDER REAR	1	
**	86653	86653-LGN5-E60	STRIPE B L FENDER REAR	STRIPE B L FENDER REAR	1	
**	86663	86663-LGN5-E60	STRIPE C R FENDER REAR	STRIPE C R FENDER REAR	1	
**	86673	86673-LGN5-E60	STRIPE C L FENDER REAR	STRIPE C L FENDER REAR	1	
**	87503	87503-LGN5-900	STRIPE KYMCO-125mm (PP)	STRIPE KYMCO-125mm (PP)	1	
**	87701	87701-LGN5-E60	DECAL DIAMOND REFLEGCTION	DECAL DIAMOND REFLEGCTION (YELLOW)	1	
**	87702	87702-LGN5-E60	DECAL DIAMOND REFLEGCTION	DECAL DIAMOND REFLEGCTION (YELLOW)	1	
**	87703	87703-LGN5-E60	DECAL DIAMOND REFLEGCTION (RED)	DECAL DIAMOND REFLEGCTION (RED)	1	
**	87704	87704-LGN5-E60	DECAL DIAMOND REFLEGCTION (RED)	DECAL DIAMOND REFLEGCTION (RED)	1	
**	87705	87705-LGN5-E60	DECAL DIAMOND REFLEGCTION	DECAL DIAMOND REFLEGCTION (WHITE)	1	
**	87706	87706-LGN5-E60	DECAL DIAMOND REFLEGCTION	DECAL DIAMOND REFLEGCTION (WHITE)	1	

## PART NO. INDEX

PART NO.	VERSION	PAGE	PART NO.	VERSION	PAGE	PART NO.	VERSION	PAGE
			140B-A15C-0000	0	E11	11348-LFA5-900	2	E05
			1786-A15C-0001	0	E11	11354-LGN5-E00	1	F22
						11354-PWB1-900	4	F22
			<b>4000</b>			11394-PWB1-900	2	E05
0110-803-1100	0	E11				11395-PWB1-900	2	E02
0301-800-2000	0	E11				11396-PWB1-900	2	E02
0301-803-2000	0	E11	4000-319-0000	0	E11	11442-LDB5-900	3	E02
0405-019-1000	0	E11				11443-LDB5-900	2	E02
			<b>11000</b>			11445-LFA5-800	1	E02
			11103-PWB1-900	2	E01	11496-PWB1-900	1	E05
102D-A01S-0000	0	E11	11105-PWB1-900	1	E01			
1030-905-2100	0	E11	11106-PWB1-900	2	E01	<b>12000</b>		
1034-868-2400	0	E11	11107-PWB1-900	2	E01			
1052-829-2100	0	E11	11108-PWB1-900	4	E01	12100-PWB1-900	6	E04
1090-872-2000	0	E11	1110A-PWB1-900	4	E01	12191-PWB1-900	2	E04
1198-816-2000-3	0	E11	11203-PWB1-900	2	E01	12205-KHE8-301	5	E03
1201-869-2100	0	E11	11330-PWB1-900	5	E05	12209-PWB1-900	2	E03
1202-855-6000	0	E11	11331-PWB1-800	2	E02	1220A-PWB1-900	3	E03
1229-801-7000	0	E11	11332-PWB1-900	1	E05	12251-PWB1-900	1	E04
1230-842-2000	0	E11	11333-LFA5-900	3	E02	12302-PWB1-900	1	E03
1230-862-7001	0	E11	11334-PWB1-900	1	E02	1236A-PWB1-900	2	E03
1230-922-7000	0	E11	11335-PWB1-900	2	E01			
1290-945-2000	0	E11	11335-PWB1-900	2	E02	<b>13000</b>		
1290-A60-2000	0	E11	11344-PWB1-900	2	F22			
1300-196-2001	0	E11	11346-PWB1-900	2	F22	13000-PWB1-900	12	E04
1300-A15C-0000	0	E11	11347-PWB1-900	2	F22	13011-PWB1-900	2	E04

## PART NO. INDEX

PART NO.	VERSION	PAGE	PART NO.	VERSION	PAGE	PART NO.	VERSION	PAGE
13101-PWB1-900	7	E04	14711-PWB1-900	5	E03			
13111-PWB1-900	3	E04	14721-PWB1-900	6	E03	<b>16000</b>		
13418-PWB1-900	4	E04	14751-PWB1-900	3	E03			
13421-PWB1-900	2	E04	14771-PWB1-900	3	E03	16075-KG8-9010-M1	0	E11
<b>14000</b>			14777-PWB1-900	3	E03	1610K-PWB1-911	0	E11
			14781-MFA6-001	0	E03	16911-LFA5-E00	2	F10
			<b>15000</b>			16950-PWB1-910	2	F10
14100-PWB1-910	2	E03				16951-LGN5-E00	0	F10
14321-PWB1-900	5	E03				16958-KHB4-900	1	E01
14323-PWB1-900	1	E03	15051-PWB1-900	1	E01	16958-KHB4-900	1	E05
14324-PWB1-900	2	E03	15052-PWB1-900	1	E05	<b>17000</b>		
14401-PWB1-900	2	E04	15100-PWB1-900	4	E07			
14431-PWB1-900	4	E03	15111-PWB1-900	1	E01			
14432-PWB1-900	3	E03	15112-PWB1-900	1	E01	1711A-PWB1-900	3	E03
14451-PWB1-900	4	E03	15131-PWB1-900	2	E04	17200-PWB1-900	7	F13
14510-PWB1-900	3	E04	15133-PWB1-900	3	E07	17206-PWB1-900	1	F13
14531-PWB1-900	7	E04	15200-PWB1-900	2	E05	17208-PWB1-900	0	F13
14550-LBA2-E00	4	E04	1541A-PWB1-900	1	E01	17212-PWB1-900	0	F13
14553-LBA2-E00	1	E04	15420-PWB1-900	2	E01	17214-PWB1-900	1	F13
14554-KAM1-004	0	E04	15436-PWB1-900	2	E01	17215-PWB1-900	6	F13
14555-LBA2-E00	1	E04	15438-PWB1-900	2	E01	1721A-PWB1-900	2	F13
14557-LBA2-E00	2	E04	15438-PWB1-900	2	E03	17228-PWB1-900	2	F13
14558-LBA2-E00	2	E04	15439-PWB1-900	2	E01	17230-PWB1-900	6	F13
14559-LBA2-E00	1	E04	1565A-PWB1-900	4	E05	17231-PWB1-900	5	F13
14560-LBA2-E00	1	E04	15711-PWB1-900	1	E04	17253-PWB1-900	4	F13
14610-PWB1-900	2	E04				17254-PWB1-900	5	F13



## PART NO. INDEX

PART NO.	VERSION	PAGE	PART NO.	VERSION	PAGE	PART NO.	VERSION	PAGE
17255-PWB1-900	1	F13	18306-LGN5-E00	0	F14			
17256-PWB1-900	1	F13	1830A-LGN5-900	0	F14	<b>22000</b>		
17257-PWB1-900	6	F13	18310-LGN5-900	0	F14			
17258-PWB1-900	0	F13	18312-LGN5-E00	0	F14	22102-PWB1-900	4	E06
17259-PWB1-900	0	F13	18317-PWB1-900	1	F14	22105-PWB1-900	5	E06
17291-PWB1-900	1	F13	18318-PWB1-900	2	F14	22110-PWB1-900	4	E06
17292-PWB1-900	1	F13	18320-PWB1-900	1	F14	22121-PWB1-M30	0	E06
17500-LGN5-E00	0	F10	18328-LFA5-910	0	F14	22127-PWB1-900	0	E06
17505-PWB1-900	0	F13	18329-PWB1-700	0	F14	22128-PWB1-900	3	E06
17507-PWB1-900	3	F13	18339-PWB1-900	1	F14	22131-PWB1-900	3	E06
17508-PWB1-900	0	E03	18391-PWB1-900	1	F14	22132-PWB1-900	4	E06
17522-PWB1-900	1	F10				22402-PWB1-900	0	E06
17560-LGC7-E00	1	F12	<b>19000</b>			2261A-PWB1-M30	0	E06
1763A-LGN5-MY0	1	F10				2262A-PWB1-800	1	E06
17700-LGN5-E00	0	F05	19005-PWB1-900	1	F22	22631-PWB1-900	1	E06
17910-LFA5-E00	2	F03	19020-PWB1-900	1	F22	22641-PWB1-M30	0	E06
<b>18000</b>			19028-PWB1-900	1	F22	2266A-PWB1-900	5	E06
			19029-PWB1-900	0	F22	<b>23000</b>		
			19031-PWB1-900	1	F22			
18291-KEBE-900	0	F14	19102-LGN5-E01	1	F05	2301A-PWB1-800	1	E06
18291-PWB1-900	2	F14	19121-PWB1-900	2	F22	23100-PWB1-900	1	E06
18292-KEBE-900	0	F14	19122-PWB1-900	0	F22	23210-PWB1-900	2	E08
18293-KEBE-900	0	F14	19504-LBA2-E00	3	F22	23220-PWB1-900	6	E06
18293-PWB1-900	4	F14	19508-LEE8-E00	2	F22	23223-PWB1-900	2	E06
18294-KEBE-900	0	F14				23230-PWB1-900	2	E08
18305-PWB1-900	1	F14						

## PART NO. INDEX

PART NO.	VERSION	PAGE	PART NO.	VERSION	PAGE	PART NO.	VERSION	PAGE	
23233-PWB1-900	2	E06	<b>24000</b>			24722-PWB1-900	3	F15	
23237-PWB1-900	2	E06				24723-PWB1-900	3	F15	
23240-PWB1-900	5	E06				24781-LFA5-E00	0	F15	
23250-PWB1-900	6	E06		24080-PWB1-900	3	F15	2478A-LFA5-E00	2	F15
23252-PWB1-900	4	E06		24221-PWB1-900	3	E08			
23256-PWB1-900	1	E06		24241-PWB1-900	3	E08	<b>28000</b>		
23411-PWB1-900	9	E08		24242-PWB1-900	5	E08			
23421-PWB1-900	4	E08		24301-PWB1-900	4	E08	28101-PWB1-900	3	E07
23425-PWB1-900	2	E08		24302-PWB1-900	4	E08	28102-PWB1-900	2	E07
23430-PWB1-900	2	E10		24305-PWB1-900	1	E08	28110-PWB1-900	4	E07
23431-PWB1-900	4	E10		24310-PWB1-900	4	E08	28112-PWB1-900	1	E07
23441-PWB1-900	6	E10		24411-PWB1-900	5	E08	28113-PWB1-900	2	E07
23451-PWB1-900	3	E08		24421-PWB1-900	1	E01	28120-PWB1-900	2	E07
23471-PWB1-900	1	E08		24430-PWB1-900	2	E08			
23472-PWB1-900	2	E08		24435-PWB1-900	1	E08	<b>30000</b>		
23473-PWB1-900	1	E08		24610-PWB1-900	2	E08			
23481-PWB1-900	2	E08		2461A-PWB1-900	2	E08	30400-PWB1-900	8	F20
23510-PWB1-900	2	E08	24702-LGN5-E00	0	F15	30401-PWB1-900	2	F20	
23511-PWB1-900	3	E08	24703-PWB1-900	3	F15	3051A-LGN5-E00	0	F20	
23512-PWB1-900	3	E08	24704-PWB1-900	2	F13	30700-PWB1-900	3	F20	
23518-PWB1-900	3	E08	24704-PWB1-900	2	F15				
23519-PWB1-900	1	E10	24705-PWB1-900	3	F15	<b>31000</b>			
23521-PWB1-900	2	E08	24707-PWB1-900	4	F15				
			24708-PWB1-900	1	F15	31110-PWB1-900	5	E07	
			2470A-LGN5-E00	0	F15	31120-LFA5-E00	2	E07	
			24721-PWB1-900	2	F15	31210-PWB1-900	5	E07	

## PART NO. INDEX

PART NO.	VERSION	PAGE	PART NO.	VERSION	PAGE	PART NO.	VERSION	PAGE
31350-LDB5-E0A	2	E05	33750-LGN5-900	2	F19			
31500-LBA2-90A	5	F11	33751-LGN5-E00	0	F19	<b>37000</b>		
31500-LBA2-90B	3	F11	33800-LGN5-900	1	F18			
31600-PWB1-900	1	F20				37119-LGN5-900	0	F02
31605-PWB1-900	3	F05	<b>34000</b>			37200-LGN5-900	0	F02
<b>32000</b>			34901-KGB5-M30	0	F01	37750-PWB1-900	6	E01
			34903-KPCP-900	0	F18	37760-PWB1-900	6	E01
32100-LGN5-900	2	F20	34905-LCA5-900	0	F18	37801-LAB4-910	1	F10
32161-4D04-001	2	F03	34905-LCA5-E00	0	F01	3780A-LGN5-E00	0	F10
32410-LGN5-E00	2	E07	34906-KPCP-900	0	F19	<b>38000</b>		
32411-2C53-001	0	E07						
32411-LGN5-E00	4	F20	<b>35000</b>			38200-PWB1-900	0	F20
32412-LGN5-E00	5	E07						
<b>33000</b>			35010-LFA5-900	1	F20	<b>39000</b>		
			35107-PWB1-900	1	E07			
			35108-PWB1-900	1	E05	39300-PWB1-900	1	E09
33100-LGN5-900	1	F01	35111-LFA5-305-M2	0	F20			
33110-LGN5-E00	0	F01	35111-LFA5-306-M2	0	F20	<b>40000</b>		
33120-LGN5-E00	0	F01	3515A-LDB5-E00	3	F03			
33130-LGN5-900	0	F01	3520A-PWB1-900	1	F03	40201-PWB1-900	3	F22
33150-LGN5-900	1	F01	35340-LDB5-900	0	F04	40215-PWB1-900	1	E10
33500-LGN5-E00	1	F18	35340-PWB1-E00	1	F15	40215-PWB1-900	1	F22
33700-LGN5-900	2	F19	35759-PWB1-900	5	E01	40401-PWB1-900	2	E10
33701-LGN5-E00	0	F19	35850-LBA2-E00	1	F20	4040A-PWB1-900	3	E10
33710-LGN5-900	0	F19				40502-PWB1-900	1	E10

## PART NO. INDEX

PART NO.	VERSION	PAGE	PART NO.	VERSION	PAGE	PART NO.	VERSION	PAGE
40502-PWB1-900	1	F22	41444-LFA5-900	2	F17	42410-PWB1-900	1	E09
<b>41000</b>			41445-LFA5-900	2	F17	42410-PWB1-900	1	F17
			<b>42000</b>			42413-LFA5-900	2	F17
41300-LGC3-900	2	F17				42413-PWB1-900	1	E09
41300-PWB1-900	5	F17	42200-PWB1-800	1	F08	42413-PWB1-900	1	F17
41311-LFA5-900	3	F17	42200-PWB1-800	1	F23	42414-PWB1-900	1	E09
41311-PWB1-900	1	F17	42208-PWB1-305	0	F23	42415-PWB1-900	1	E09
41431-LFA5-900	5	F17	42209-PWB1-305	0	F23	42416-PWB1-900	1	E09
41431-PWB1-900	3	F17	42216-PWB1-900	0	F23	42418-PWB1-900	1	E09
41435-LFA5-900	2	F17	42400-PWB1-900	6	E09	42419-LFA5-900	1	F17
41435-PWB1-900	1	E09	42401-LFA5-900	1	F17	42419-PWB1-900	1	E09
41435-PWB1-900	1	F17	42401-LFA5-90B	0	F17	42419-PWB1-900	1	F17
41436-LFA5-900	1	F17	42401-PWB1-900	1	E09	42421-PWB1-900	1	E09
41436-PWB1-900	1	F17	42401-PWB1-900	1	F17	42422-LFA5-900	3	F17
41438-LFA5-900	2	F17	42402-PWB1-900	1	E09	42422-PWB1-900	1	E09
41438-PWB1-900	2	F17	42402-PWB1-900	1	F17	42422-PWB1-900	1	F17
41439-LFA5-900	2	F17	42404-LFA5-910	2	F17	42423-LFA5-900	1	F17
41439-PWB1-900	2	F17	42404-PWB1-900	1	E09	42423-PWB1-900	1	E09
41440-LFA5-900	2	F17	42404-PWB1-910	1	F17	42423-PWB1-900	1	F17
41440-PWB1-900	2	F17	42407-LFA5-900	1	F17	42424-PWB1-900	2	E09
41441-LFA5-900	2	F17	42407-PWB1-900	1	E09	42425-PWB1-900	2	E09
41441-PWB1-900	2	F17	42407-PWB1-900	1	F17	42425-PWB1-910	3	F17
41442-LFA5-900	2	F17	42408-PWB1-900	1	E09	42428-PWB1-900	1	E09
41442-PWB1-900	2	F17	42409-PWB1-900	1	E09	42430-LFA5-910	9	F17
41443-LFA5-900	2	F17	42410-LFA5-900	3	F17	42430-PWB1-900	1	E09
						42430-PWB1-910	1	F17

## PART NO. INDEX

PART NO.	VERSION	PAGE	PART NO.	VERSION	PAGE	PART NO.	VERSION	PAGE
42432-PWB1-900	4	E09	42461-LFA5-900	2	F17	43500-LFA5-E00	2	F15
42442-LFA5-900	5	F17	42462-LFA5-900	2	F17	43530-LGN5-305	1	F04
42442-PWB1-900	3	E09	42463-LFA5-900	2	F17			
42442-PWB1-900	3	F17	42463-PWB1-900	0	E09	<b>44000</b>		
42446-PWB1-900	1	E09	42463-PWB1-900	0	F17			
42446-PWB1-900	1	F17	42464-LFA5-900	2	F17	44200-PWB1-800	1	F07
42448-LFA5-900	1	F17	42464-PWB1-900	0	E09	44200-PWB1-800	1	F23
42448-PWB1-900	1	E09	42464-PWB1-900	0	F17	44208-PWB1-305	0	F23
42448-PWB1-900	1	F17	42465-LFA5-900	2	F17	44209-PWB1-305	0	F23
42449-LFA5-900	2	F17	42465-PWB1-900	0	E09	44209-PWB1-900	0	F23
42449-LFA5-90B	0	F17	42465-PWB1-900	0	F17	44210-PWB1-900	0	F23
42449-PWB1-900	1	E09	42466-LFA5-900	2	F17	44211-PWB1-900	0	F23
42449-PWB1-900	1	F17	42466-PWB1-900	0	E09	44213-PWB1-900	0	F23
42451-LFA5-900	3	F17	42466-PWB1-900	0	F17	44214-PWB1-900	0	F23
42451-PWB1-900	3	E09	42467-LFA5-900	2	F17	44215-PWB1-900	0	F23
42451-PWB1-900	3	F17	42467-PWB1-900	0	E09	44216-PWB1-900	0	F23
42453-LGC3-900	1	F17	42467-PWB1-900	0	F17	44219-PWB1-900	0	F23
42453-PWB1-900	2	E09	42705-LGN5-E00	0	F08	44705-LGN5-E00	0	F07
42453-PWB1-900	2	F17	4270A-LFA5-E00	2	F08	4470A-LFA5-E00	2	F07
42454-LFA5-910	2	F17	42710-LGN5-910	1	F08	4470A-LFA5-E00	2	F08
42454-PWB1-900	1	E09	42753-KNBN-90B	1	F07	44710-LGN5-910	1	F07
42454-PWB1-910	1	F17	42753-KNBN-90B	1	F08			
42456-LFA5-900	5	F17				<b>45000</b>		
42456-PWB1-900	1	E09	<b>43000</b>					
42456-PWB1-900	1	F17				45100-PWB1-600	2	F07
42460-LFA5-900	2	F17	43127-LFA5-E00	3	F04	45105-PWB1-306	0	F07

## PART NO. INDEX

PART NO.	VERSION	PAGE	PART NO.	VERSION	PAGE	PART NO.	VERSION	PAGE
45105-PWB1-306	0	F08				50616-LGN5-E00	4	F21
45107-PWB1-305	0	F07	<b>46000</b>			50617-LGN5-E00	4	F21
45107-PWB1-305	0	F08				50618-LGN5-E00	1	F21
45110-PWB1-305	0	F07	46500-LGN5-E00	2	F15	50619-LGN5-E00	1	F21
45110-PWB1-305	0	F08	46503-LFA5-E00	2	F15			
45121-PWB1-900	2	F07				<b>51000</b>		
45121-PWB1-900	2	F08	<b>47000</b>					
45124-PWB1-900	2	F04				51400-LGN5-E00	0	F06
45127-LGN5-900	2	F04	47400-PWB1-900	4	F06	51400-LGN5-E01	1	F06
45127-PWB1-900	8	F04	47410-LGN5-E00	0	F07	51406-LGN5-E00	1	F21
45128-PWB1-600	1	F04	47410-LGN5-E00	0	F08			
45132-LBA7-900	1	F04	47450-PWB1-900	4	F16	<b>52000</b>		
45200-PWB1-600	2	F07	47452-PWB1-900	2	F16			
45200-PWB1-600	2	F08	47453-PWB1-900	2	F16	52101-PWB1-900	1	F22
45230-PWB1-305	0	F07	47500-PWB1-900	4	F06	52102-PWB1-900	1	E10
45230-PWB1-305	0	F08	47550-PWB1-900	4	F16	52103-PWB1-900	2	F06
45352-PWB1-305	0	F07				52103-PWB1-900	2	F16
45352-PWB1-305	0	F08	<b>50000</b>			52104-PWB1-900	2	F06
45513-KKC4-900	0	F04				52104-PWB1-900	2	F16
45517-KFAF-910	0	F04	50100-LGN5-900	3	F21	52108-PWB1-900	3	F06
45520-KKC4-900	0	F04	50207-LGN5-E00	2	F11	52108-PWB1-900	3	F16
45525-LBA7-900	0	F04	50325-LGN5-E00	1	F11	52144-PWB1-900	2	F06
45526-LBA7-900	0	F04	50326-LGN5-E00	0	F11	52144-PWB1-900	2	F16
45527-LBA7-900	0	F04	50612-LGN5-900	0	F12	52400-LGN5-E00	0	F16
45530-LDB5-305	1	F04	50613-LGN5-E00	1	F21			
			50614-LGN5-E00	1	F21			

## PART NO. INDEX

PART NO.	VERSION	PAGE	PART NO.	VERSION	PAGE	PART NO.	VERSION	PAGE
<b>53000</b>			53700-LGC7-E00	1	F06	<b>64000</b>		
53100-LGN5-900	0	F03	53700-PWB1-900	12	F06	64300-PWB1-910	1	F05
53102-LGN5-E00	1	F03	53702-PWB1-900	4	F06	64301-LGN5-Y00	3	F05
53103-LGN5-E00	3	F03	53703-PWB1-900	4	F06	64303-LGN5-E00	4	F05
53104-LGN5-E00	3	F03	<b>54000</b>			64304-LGN5-E01	1	F05
53104-PWB1-900	2	F03	54400-PWB1-E00	2	F16	64313-LGN5-E00	4	F05
53105-LGN5-E00	2	F03	54450-LGN5-E00	3	F16	64330-LFE9-E01	1	F05
53131-PWB1-900	1	F03	54500-PWB1-E00	2	F16	64340-LFE9-E01	1	F05
53166-LGN5-E00	3	F03	54550-LGN5-E00	3	F16	<b>77000</b>		
53175-LFA5-305	0	F04	54600-LGN5-E00	3	F16	77200-LGN5-900	1	F09
53178-KFC8-E10	0	F04	54601-LFE9-E00	1	F16	77202-LGN5-E00	3	F09
53200-LGN5-900	2	F06	54602-LFE9-E00	1	F16	77206-KGBG-900	0	F09
53205-LGN5-E00	0	F03	54610-LFE9-E00	1	F16	77206-LGN5-E00	1	F09
53207-LGN5-E00	3	F03	54620-LFE9-E00	1	F16	77206-PWB1-900	1	F05
53208-LGN5-E00	3	F03	<b>60000</b>			77303-KFA6-900	1	F09
53250-PWB1-900	1	F06	60100-LGN5-E00	2	F05	77305-KFA6-900	0	F09
53251-LGN5-E00	1	F06	60102-PWB1-900	1	F05	<b>80000</b>		
53254-LBA7-900	3	F06	60102-PWB1-900	1	F12	80100-LGN5-E00	4	F12
53261-PWB1-900	3	F06	60130-PWB1-910	1	F05	80121-LGN5-E01	1	F12
53400-LGN5-E00	5	F06	60140-PWB1-910	1	F05	80122-LGN5-E01	1	F12
53410-PRB1-900	4	F06	60150-LFA5-E01	1	F05			
53450-LGN5-E00	7	F06						
53500-LGN5-E00	5	F06						
53550-LGN5-E00	7	F06						

## PART NO. INDEX

PART NO.	VERSION	PAGE	PART NO.	VERSION	PAGE	PART NO.	VERSION	PAGE
80123-LGN5-E01	1	F12				87517-PWB1-M35	1	F24
80130-PWB1-E00	2	F12	<b>86000</b>			87560-PWB1-M35	1	F24
80300-LGN5-E01	1	F12				87701-LGN5-E60	2	F25
80305-LGN5-900	2	F12	86102-LDB5-900	2	F25	87702-LGN5-E60	2	F25
80306-LGN5-900	2	F12	86102-LDB5-900	3	F25	87703-LGN5-E60	2	F25
80307-LGN5-E01	1	F12	86223-LGN5-M30	0	F25	87704-LGN5-E60	2	F25
80308-LGN5-E01	1	F12	86233-LGN5-M30	0	F25	87705-LGN5-E60	3	F25
80330-LGN5-E01	1	F12	86302-LFA5-E00	2	F15	87706-LGN5-E60	3	F25
80340-LGN5-E01	1	F12	86523-LGN5-M30	1	F25			
			86533-LGN5-M30	1	F25	<b>89000</b>		
<b>81000</b>			86543-LGN5-E60	5	F25			
			86553-LGN5-E60	5	F25	89010-LGN5-E00	1	F09
81200-LGN5-900	3	F21	86623-LGN5-E60	3	F25	89020-KKC4-900	1	F09
			86633-LGN5-E60	3	F25			
<b>83000</b>			86643-LGN5-E60	6	F25	<b>90000</b>		
			86653-LGN5-E60	6	F25			
83500-LGN5-E00	1	F12	86663-LGN5-E60	3	F25	90012-3C33-001	1	E03
83510-LGN5-Y00	3	F12	86673-LGN5-E60	3	F25	90031-PWB1-900	5	E03
83600-LGN5-E00	1	F12				90032-PWB1-900	5	E03
83610-LGN5-Y00	3	F12	<b>87000</b>			90036-PWB1-900	5	E01
83620-LFA5-E00	0	F21				90071-MLB0-001	0	E07
			87322-LBA7-E00	3	F24	90081-PWB1-900	2	E01
<b>85000</b>			87503-LGN5-900	1	F25	90084-KKE5-E00	5	E03
			87505-LGN5-M35	1	F24	90084-PWB1-900	4	E05
85100-LGN5-E00	4	F21	87514-LFA5-E00	2	F24	90106-PWB1-900	1	F07
			87515-PWB1-M35	3	F24	90106-PWB1-900	1	F08



## PART NO. INDEX

PART NO.	VERSION	PAGE	PART NO.	VERSION	PAGE	PART NO.	VERSION	PAGE
90110-KEBE-900	0	F14	90304-GLW0-90A	1	F21	90481-0E35-001	0	E04
90110-PWA2-900	2	F03	90304-PWB1-900	2	F06	90501-3L10-001	0	F15
90110-PWA2-900	2	F05	90309-GLW0-90A	1	F13	90505-4E25-001	0	F13
90110-PWA2-900	2	F12	90322-PWB1-900	3	E08	90545-3L00-001	2	F04
90111-PWB1-900	3	F15	90342-PWB1-900	3	E10	90545-3L00-001	2	F15
90112-KNBN-901	1	F11	90403-LFA5-900	2	F17	90561-PWB1-900	3	E03
90112-KRDR-900	1	E01	90403-PWB1-900	1	F17	90562-PWB1-900	1	E05
90112-KRDR-900	1	F20	90408-PWB1-800	1	E06	90652-LCA4-E00	1	F05
90114-1F66-007	2	F04	90421-LBA2-E00	1	E04	90652-LCA4-E00	1	F12
90131-LDB5-E00	1	F07	90431-PWB1-900	2	E05	90652-LDB5-900	3	F05
90131-LDB5-E00	1	F08	90435-HCB3-001	0	E08	90652-LDB5-900	3	F12
90145-MKS9-61A	1	F04	90441-LBA2-E00	1	E10	90652-LDB5-900	3	F21
90202-PWB1-900	2	E08	90443-KKE5-E00	1	E10	90652-PWB1-900	1	F05
90203-PWB1-900	2	E10	90446-PWB1-900	2	E08	90652-PWB1-900	1	F15
90204-PWB1-910	1	E10	90451-LBA7-900	1	E08	90656-KCBC-900	0	F20
90205-LDB5-E00	3	E04	90452-LBA7-900	1	E08	90677-GAR1-004	1	F11
90206-0A01-001	2	E03	90453-1G07-001	0	E08	90677-GAR1-004	1	F12
90301-6D34-671	1	F15	90454-KED9-900	1	E08	90701-LDB5-E00	4	E04
90301-LGN5-E00	1	F07	90455-LBA7-900	1	E08	90912-KFLF-00A	0	E02
90301-LGN5-E00	1	F08	90459-PWB1-900	3	E08			
90302-GBR2-001	1	F10	90461-PWB1-900	3	E03	<b>91000</b>		
90302-LLB1-E00	2	F13	90461-PWB1-900	3	E05			
90302-PWA1-900	2	F11	90474-1G47-001	0	E07	91002-KGBG-90B	0	E01
90302-PWA1-900	2	F12	90474-3C33-001	1	E02	91002-PWB1-90A	1	E01
90304-GLW0-90A	1	F06	90474-3C33-001	1	E05	91003-PWB1-900	0	E01
90304-GLW0-90A	1	F16	90474-7D04-000	0	E08	91021-LDB5-E00	2	E06

## PART NO. INDEX

PART NO.	VERSION	PAGE	PART NO.	VERSION	PAGE	PART NO.	VERSION	PAGE
91021-PWB1-90B	1	E08				93903-35360	0	F02
91104-PWB1-90A	1	E07	<b>93000</b>			93903-35360	0	F19
91202-PWB1-900	1	E01				93903-45360	0	F22
91206-PWB1-900	4	E04	93403-05012-06	0	E01	93903-PWB1-900	1	F05
91209-PWB1-900	2	E05	93403-PWB1-900	1	F14			
91251-PWB1-900	2	E01	93404-06012-06	0	F05	<b>94000</b>		
91256-PWB1-900	3	E10	93404-06016-06	0	F01			
91257-PWB1-900	2	E05	93404-06016-06	0	F05	94001-10080-0S	0	F15
91258-LDB5-900	1	E02	93404-06016-06	0	F12	94001-LLB1-900	2	F15
91302-PWB1-900	1	E04	93404-06016-06	0	F22	94001-PWB1-700	0	F06
91303-PWB1-900	1	E03	93404-06020-06	1	F12	94001-PWB1-800	0	F06
91306-PWB1-900	1	E03	93500-04008-1H-3	0	E11	94001-PWB1-900	4	E06
91307-0E35-001	0	E05	93500-04010-06	0	F10	94002-PWB1-900	3	E06
91307-PWB1-900	1	F21	93500-04014-1H-3	0	E11	94005-PWB1-900	2	E09
91309-4E25-004	0	E07	93500-06025-0FN	0	E07	94005-PWB1-900	2	F17
91313-KED9-900	3	E05	93500-PWB1-900	2	E01	94006-PWB1-900	2	F17
<b>92000</b>			93500-PWB1-900	2	E02	94011-PWB1-900	1	F07
			93600-04012-1G	0	F04	94011-PWB1-900	1	F08
			93600-LGN5-E00	5	F03	94050-05060	0	F18
92101-05012-0G	0	E05	93600-PWB1-900	2	E01	94050-06060	0	F04
92101-05012-0G	0	E07	93600-PWB1-900	2	E05	94050-06060	0	F15
92101-06012-0HN	0	E03	93890-LDB5-E00	0	F09	94050-06060	0	F22
92101-PWB1-900	1	F10	93892-04008-16	0	E11	94050-06080	0	E04
92900-06040-0E	2	E01	93903-34360	0	F05	94050-06080	0	E08
92900-08046-0B	0	E03	93903-34360	0	F12	94050-06080	0	F20
			93903-34360	0	F18	94050-08060	0	F21

## PART NO. INDEX

PART NO.	VERSION	PAGE	PART NO.	VERSION	PAGE	PART NO.	VERSION	PAGE
94050-08080	0	E04	94305-03161	0	E06	95002-41250-00	0	F13
94050-10080	0	E04	94401-16150	0	E04	95002-KED9-M30	1	F13
94050-LDE9-E00	1	F12	94402-PWB1-900	1	E06	95002-KKD6-E05	0	E01
94050-PWA2-900	1	F05	94510-10000	0	E07	95005-PWB1-900	1	E09
94050-PWA2-900	1	F10	94510-12000	0	E08	95005-PWB1-900	1	F17
94050-PWA2-900	1	F12	94510-25000	0	E08	95007-LFA5-900	2	F17
94052-LFA5-800	0	E06	94510-35150	0	E06	95008-PWB1-900	5	E09
94101-PWB1-900	1	F06	94510-PWB1-900	0	F06	95111-PWB1-900	1	E10
94102-08000	5	F15	94520-12100	0	E05	95111-PWB1-900	1	F22
94102-PWB1-900	1	F15	94520-32180	0	E02	95112-PWB1-900	1	F22
94103-06800	0	F12	94520-55000	0	F06	95601-PWB1-900	2	E08
94103-08800	0	F15	94520-55000	0	F16	95701-06012-06	1	F04
94201-20120	0	F15	94540-06012	0	F15	95701-06012-06	1	F11
94201-25200	0	F06	94540-07017	1	E06	95701-06012-06	1	F14
94201-30400	0	F07	94591-27000	0	F05	95701-06015-08	0	E09
94201-30400	0	F08	94601-PWB1-900	1	E04	95701-06016-06	1	F20
94301-08100	1	E01	94611-PWB1-900	1	E08	95701-06022-06	1	F15
94301-08140	0	E03	94621-PWB1-900	1	E10	95701-06025-06	2	E04
94301-12200	1	E01				95701-06025-06	2	E08
94301-12200	1	E02	<b>95000</b>			95701-06030-06	0	F04
94301-12200	1	E05				95701-08012-06	0	E02
94301-13220	0	E04	95002-02090	0	E09	95701-08012-06	0	E05
94302-06025	0	E06	95002-02100	0	F17	95701-08012-06	0	F15
94302-KKE5-E00	1	E01	95002-40950-08	0	E09	95701-08012-06	0	F21
94303-04065	0	E04	95002-40950-08	0	F10	95701-08016-06	0	F15
94303-04160	0	E07	95002-40950-08	0	F17	95701-08016-06	0	F16

## PART NO. INDEX

PART NO.	VERSION	PAGE	PART NO.	VERSION	PAGE	PART NO.	VERSION	PAGE	
95701-08016-06	0	F21	<b>96000</b>			96001-06110-06	1	E03	
95701-08020-06	1	E10				96001-08016-08	0	F14	
95701-08020-06	1	F06				96001-08050-08	0	F13	
95701-08020-06	1	F14		96001-06016-06	0	E05	96100-60080-00	0	E09
95701-08020-06	1	F22		96001-06018-06	0	E01	96100-60080-00	0	F17
95701-08040-06	0	E09		96001-06018-06	0	E02	96100-62040-00	0	E01
95701-08040-06	0	F17		96001-06018-06	0	E05	96100-62050-00	2	E01
95701-08050-06	0	E01		96001-06020-06	0	E03	96100-62070-00	0	E01
95701-08060-06	0	E01		96001-06020-06	0	F15	96100-63040-00	1	E01
95701-08085-06	0	E01		96001-06022-06	1	F04	96100-63040-00	1	E05
95701-08140-06	0	E05		96001-06025-06	0	E01	96100-63050-00	0	E09
95701-10020-06	0	F06		96001-06025-06	0	E03	96100-63050-00	0	F17
95701-PWB1-900	4	E04		96001-06028-08N	0	E07	96104-LDB5-90A	1	E06
95801-08055-06	0	F03		96001-06030-06	0	E03	96104-LDB5-90B	1	E06
95801-08060-06	0	F06		96001-06032-06N	0	E07	96105-LFA5-80B	0	E02
95801-10030-06	0	F06		96001-06035-06	0	E02	96110-PWB1-900	1	E10
95801-10040-06	0	F06		96001-06035-06	0	E03	96120-60080-00	0	F17
95801-10040-06	0	F16	96001-06040-06	12	E02	96120-PWB1-900	1	E01	
95801-10065-06	0	F16	96001-06040-06	12	E03	96130-PWB1-900	1	E10	
95801-10085-06	1	F06	96001-06040-06	12	E05	96140-PWB1-900	1	E10	
95801-10085-06	1	F16	96001-06045-06	0	E01	96150-PWB1-900	1	E05	
95801-10095-06	0	F16	96001-06045-06	0	E05	96151-PWB1-900	2	F06	
95801-10110-06	0	F21	96001-06050-06	0	E05	96151-PWB1-900	2	F16	
95801-10185-06	0	F21	96001-06055-06	0	E03	96220-40080	0	E08	
95802-PWB1-900	2	F06	96001-06070-06	0	E01	96220-60100	0	E05	
95802-PWB1-900	2	F16	96001-06080-06	1	E02	96600-LDB5-E00	2	E07	

## PART NO. INDEX

PART NO.	VERSION	PAGE	PART NO.	VERSION	PAGE	PART NO.	VERSION	PAGE
<b>98000</b>			N424-25B38	0	E11			
			N425-LGB00	0	E11			
			N426-01A40	0	E11			
98059-58916-00	2	E03	N446-45A00	0	E11			
98200-33000	0	F20						
98200-41000	0	F20	<b>W</b>					
98200-41500	0	F20						
<b>99000</b>			W9353-36000	0	E11			
			W9451-03212	0	E11			
			W9525-25250	0	E11			
99101-393-0750	0	E11						
99101-393-1200	0	E11						
<b>E</b>								
E040-3106	0	E04						
<b>K</b>								
K350-186-0100-3	0	E11						
K362-186-0100	0	E11						
<b>N</b>								
N114-04103	0	E11						
N413-03C00	0	E11						