

# PARTS CATALOGUE



ATV

LA50BD(CL)

MAXXER 250



Release Date : 2014/05/29  
Print Date : 2015/02/13

## ABOUT THIS PARTS LIST

- This parts list is compiled all service parts for model LA50BD(CL).
- Any difference between color chart and motorcycle will be revised according to motorcycle.
- The Mark:
  1. Marking "\*\*\*" must add color code in the end before ordering parts.
  2. Marking "#" are parts with modification, Please find the details from e-Parts system.
- When modification or additions to this parts list are made a revised edition at an appropriate time.



# CONTENTS

● ABOUT THIS PARTS LIST .....	1
● COLOR CHART OF LA50BD(CL) .....	3
● CONTENTS-ENGINE GROUP .....	9
● CONTENTS-FRAME GROUP .....	10
● ENGINE PARTS LIST .....	13
● FRAME PARTS LIST .....	55
● PART NO. INDEX .....	137

NO	MODEL			COLOR CHART OF LA50BD(CL)											
	PHOTO NO			NO. 1	NO. 2	NO. 3	NO. 4								
	BASIC COLOR			Blue	Red	Gloomy Green	White								
	CODE			Blue	Red	Gloomy Green	White								
	PARTS NAME	PARTS NO.	VERSION	PB090SA	RR338SA	GG347SA	NH195SA								
1	COVER HANDLE	53205-LDF3-E00	2	C7R	E4R	GZR	HGR								
2	FENDER FRONT	60100-LDF3-E01	0												
3	FENDER ASSY REAR	8010A-LBA7-900	4												
4	LEVER L STRG HANDLE	53178-KFC8-E10	0					M2A							
5	COVER COMP R CRANK	11330-LBA7-900	9					M3A							
6	COVER WATER PUMP	19221-KHE7-900	3					M9A							
7	CUSHION ASSY FR	51400-PWA2-900	2					MBS							
8	FORK ASSY RR	52000-LEC1-E00	1												
9	CUSHION ASSY RR	52400-PWA2-900	2												
10	ARM ASSY R UP SWING	53400-PWA2-900	3												
11	ARM ASSY R LOW	53450-PWA2-900	2												
12	ARM ASSY LEFT UP	53500-PWA2-900	3												
13	ARM ASSY LEFT LOW	53550-PWA2-900	2												
14	RR CARRIER LUGGAGE	77330-LDF3-E00	1												
15	PIPE COMP FR BUMPER	85100-LDF3-E00	4												
16	COVER TANK	17700-LBA7-900	6									N1R			
17	DUCT.COOLING AIR	19102-LBA7-910	1												
18	GUIDE COVER CHANGE	60120-LBA7-900	5												
19	PLUG FLOOR PANEL	64316-KEB7-900	0												
20	MUDGUARD R FLOOR	80121-LBA7-910	1												
21	MUDGUARD L FLOOR	80122-LBA7-910	1												
22	COVER R SIDE	83500-LBA7-910	1												
23	COVER L SIDE	83600-LBA7-910	1												
24	COVER LEFT	11341-LBA7-900	7					N8A							
25	MIRROR ASSY R BACK	88110-LDF3-E01	1					N8P							
DATE OF STARTING-SALES															
DATE OF END-SALES															

NO	MODEL			COLOR CHART OF LA50BD(CL)			
	PHOTO NO			NO. 5	NO. 6	NO. 7	
	BASIC COLOR			Black	Orange	Yellow	
	CODE			Black	Orange	Yellow	
	PARTS NAME	PARTS NO.	VERSION	NH001SA	YR375SA	YR110SA	
1	COVER HANDLE	53205-LDF3-E00	2	N1R	YUR	YRR	
2	FENDER FRONT	60100-LDF3-E01	0				
3	FENDER ASSY REAR	8010A-LBA7-900	4				
4	LEVER L STRG HANDLE	53178-KFC8-E10	0	M2A			
5	COVER COMP R CRANK	11330-LBA7-900	9	M3A			
6	COVER WATER PUMP	19221-KHE7-900	3	M9A			
7	CUSHION ASSY FR	51400-PWA2-900	2	MBS			
8	FORK ASSY RR	52000-LEC1-E00	1				
9	CUSHION ASSY RR	52400-PWA2-900	2				
10	ARM ASSY R UP SWING	53400-PWA2-900	3				
11	ARM ASSY R LOW	53450-PWA2-900	2				
12	ARM ASSY LEFT UP	53500-PWA2-900	3				
13	ARM ASSY LEFT LOW	53550-PWA2-900	2				
14	RR CARRIER LUGGAGE	77330-LDF3-E00	1				
15	PIPE COMP FR BUMPER	85100-LDF3-E00	4	N1R			
16	COVER TANK	17700-LBA7-900	6				
17	DUCT.COOLING AIR	19102-LBA7-910	1				
18	GUIDE COVER CHANGE	60120-LBA7-900	5				
19	PLUG FLOOR PANEL	64316-KEB7-900	0				
20	MUDGUARD R FLOOR	80121-LBA7-910	1				
21	MUDGUARD L FLOOR	80122-LBA7-910	1				
22	COVER R SIDE	83500-LBA7-910	1				
23	COVER L SIDE	83600-LBA7-910	1	N8A			
24	COVER LEFT	11341-LBA7-900	7	N8P			
25	MIRROR ASSY R BACK	88110-LDF3-E01	1				
DATE OF STARTING-SALES							
DATE OF END-SALES							

NO	MODEL			COLOR CHART OF LA50BD(CL)			
	PHOTO NO			NO. 1	NO. 2	NO. 3	NO. 4
	BASIC COLOR			Blue	Red	Gloomy Green	White
	CODE			Blue	Red	Gloomy Green	White
	PARTS NAME	PARTS NO.	VERSION	PB090SA	RR338SA	GG347SA	NH195SA
26	MIRROR ASSY L BACK	88120-LDF3-E01	1	N8P			
27	RIM RR WHEEL	42705-LBA7-90C	2	NJA			
28	RIM RR WHEEL	42705-LBA7-90D	3				
29	CALIPER ASSY RR	43100-LBA7-900	5				
30	CALIPER ASSY RR	43100-LEC1-E00	4				
31	RIM COMP FR WHEEL	44705-LBA7-90B	0				
32	RIM FR WHEEL	44705-LBA7-90C	2				
33	RIM FR WHEEL	44705-LBA7-90D	3				
34	CALIPER ASSY FR R	45100-LBA7-900	5				
35	CALIPER ASSY FR L	45200-LBA7-900	5				
36	HUB ASSY REAR	42610-LBA7-900	7				
37	HUB ASSY REAR	42610-LKC2-E00	1				
38	HANDLE PIPE STRG	53100-LDF3-E00	3				
39	SEAT ASSY	77200-LBA7-900	4				
40	CAUTION SHIFIT GEARS	87322-LBA7-E00	3	T01			
41	LABEL TIRE ON ROAD	87505-LBA7-E01	3				
42	CAUTION MAXIMUM	87514-LCA5-E00	1				
43	CAUTION LIST ON ROAD	87515-LBA7-E01	1				
44	CAUTION DRIVE AGE	87517-LBA7-E00	2				
45	CAUTION DRIVE AGE	87556-LLB1-E01	2				
46	STRIPE R SIDE COVER	86323-LDF3-E61	4	T05	T01	T03	T02
47	STRIPE L SIDE COVER	86333-LDF3-E61	4	T05			
48	STRIPE R FENDER FR	86523-LDF3-E61	4				
49	STRIPE L FENDER FR	86533-LDF3-E61	4				
50	STRIPE R RR	86623-LDF3-E61	3				
DATE OF STARTING-SALES							
DATE OF END-SALES							

NO	MODEL			COLOR CHART OF LA50BD(CL)			
	PHOTO NO			NO. 5	NO. 6	NO. 7	
	BASIC COLOR			Black	Orange	Yellow	
	CODE			Black	Orange	Yellow	
	PARTS NAME	PARTS NO.	VERSION	NH001SA	YR375SA	YR110SA	
26	MIRROR ASSY L BACK	88120-LDF3-E01	1	N8P			
27	RIM RR WHEEL	42705-LBA7-90C	2	NJA			
28	RIM RR WHEEL	42705-LBA7-90D	3				
29	CALIPER ASSY RR	43100-LBA7-900	5				
30	CALIPER ASSY RR	43100-LEC1-E00	4				
31	RIM COMP FR WHEEL	44705-LBA7-90B	0				
32	RIM FR WHEEL	44705-LBA7-90C	2				
33	RIM FR WHEEL	44705-LBA7-90D	3				
34	CALIPER ASSY FR R	45100-LBA7-900	5				
35	CALIPER ASSY FR L	45200-LBA7-900	5				
36	HUB ASSY REAR	42610-LBA7-900	7				
37	HUB ASSY REAR	42610-LKC2-E00	1				
38	HANDLE PIPE STRG	53100-LDF3-E00	3				
39	SEAT ASSY	77200-LBA7-900	4				
40	CAUTION SHIFIT GEARS	87322-LBA7-E00	3				
41	LABEL TIRE ON ROAD	87505-LBA7-E01	3	T01			
42	CAUTION MAXIMUM	87514-LCA5-E00	1				
43	CAUTION LIST ON ROAD	87515-LBA7-E01	1				
44	CAUTION DRIVE AGE	87517-LBA7-E00	2				
45	CAUTION DRIVE AGE	87556-LLB1-E01	2				
46	STRIPE R SIDE COVER	86323-LDF3-E61	4				
47	STRIPE L SIDE COVER	86333-LDF3-E61	4				
48	STRIPE R FENDER FR	86523-LDF3-E61	4				
49	STRIPE L FENDER FR	86533-LDF3-E61	4				
50	STRIPE R RR	86623-LDF3-E61	3				
DATE OF STARTING-SALES							
DATE OF END-SALES							









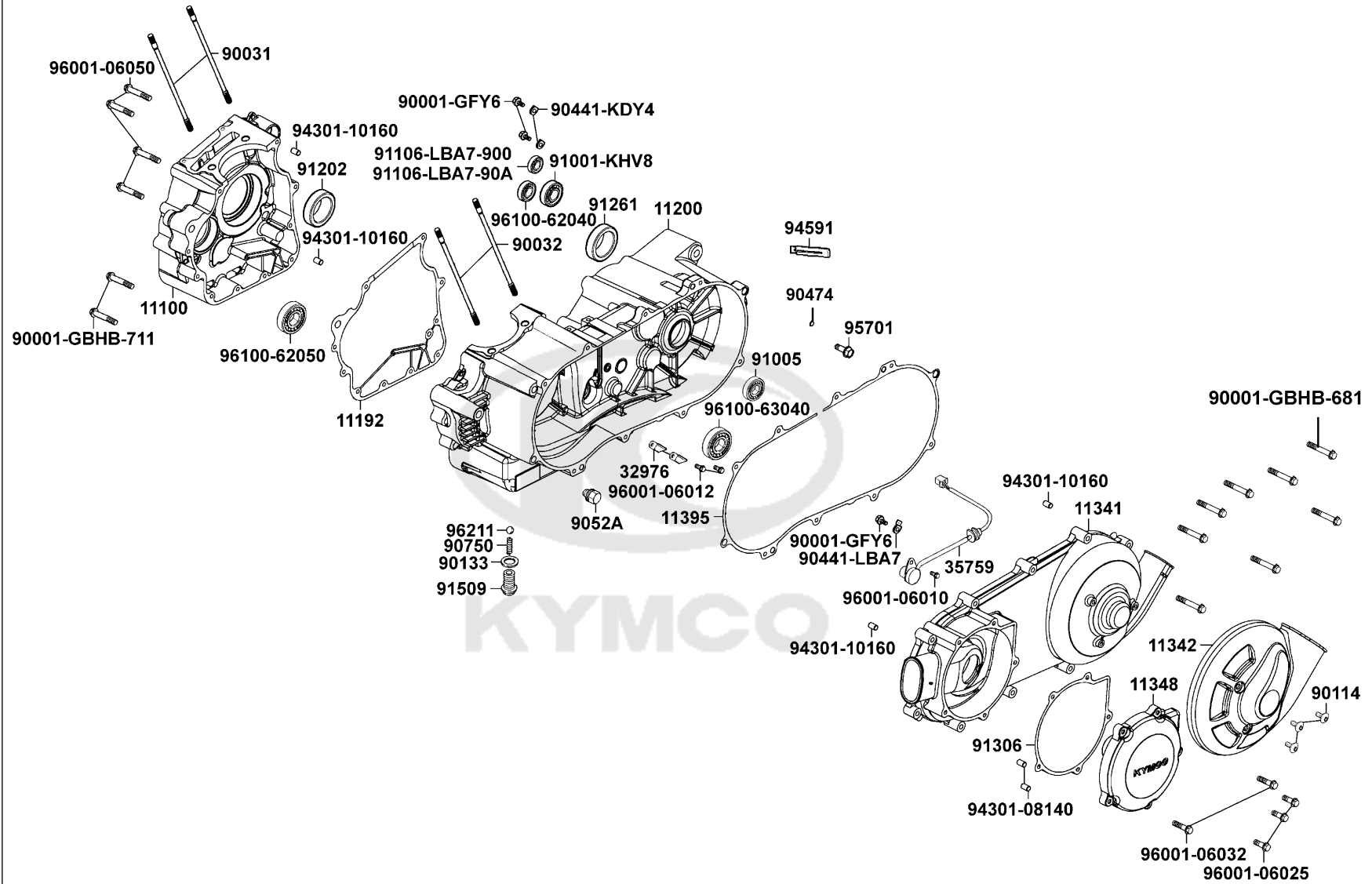






E01

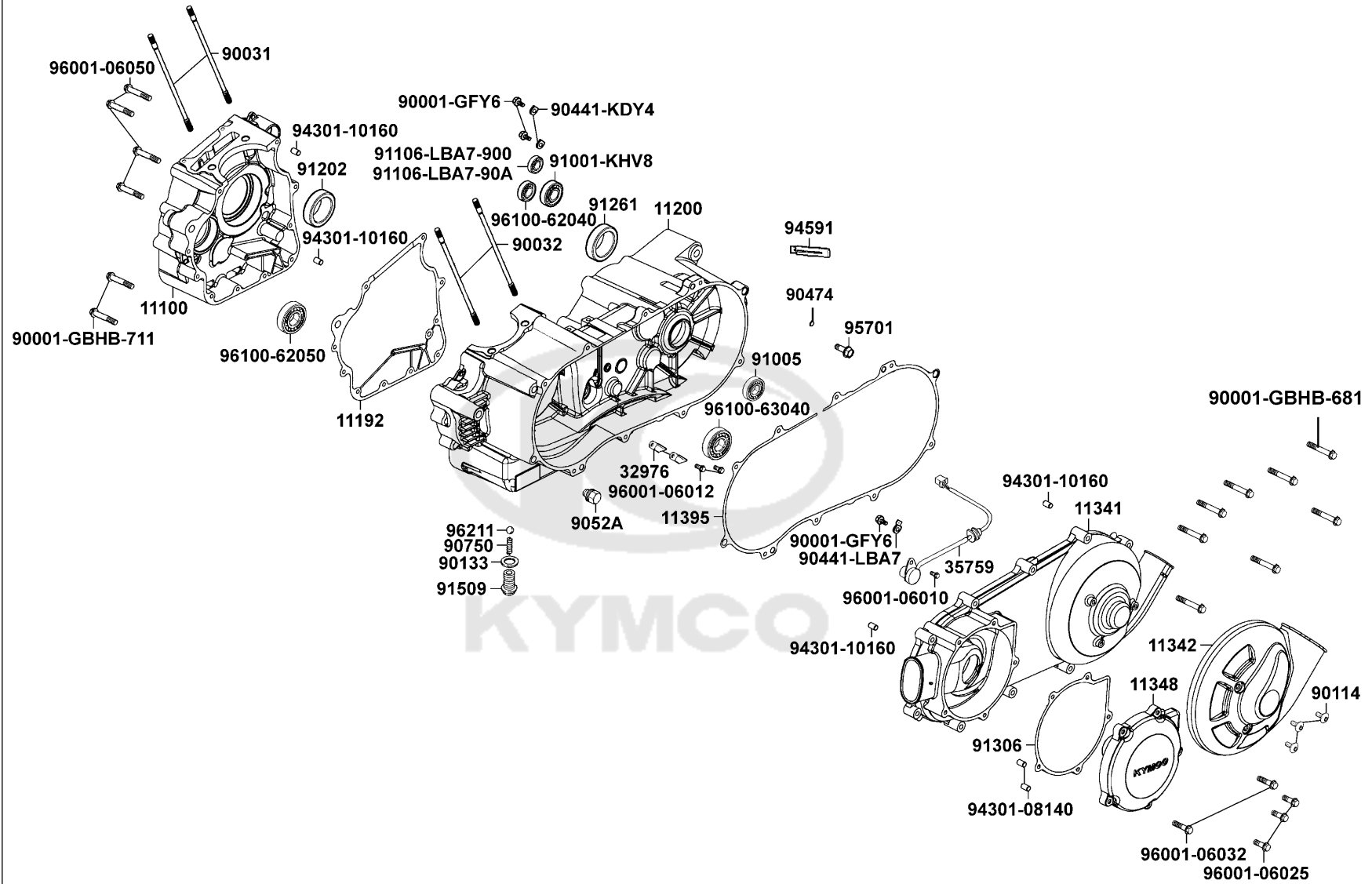
# Crank Case



Sales mark	Ref no	Part no	Description	Reg description	Regd no	E01
	11100	11100-LBA7-900	CRANK CASE COMP R	CRANK CASE COMP R	1	
	11192	11192-LBA7-900	GASKET CRANK CASE	GASKET CRANK CASE	1	
	11200	11200-LBA7-900	CRANK CASE COMP L	CRANK CASE COMP L	1	
**	11341	11341-LBA7-900	COVER LEFT	COVER LEFT	1	
	11342	11342-LBA7-900	COVER L COVER	COVER L COVER	1	
	11348	11348-LBA7-900	COVER STARTING	COVER STARTING	1	
	11395	11395-LBA7-900	GASKET L COVER	GASKET L COVER	1	
	32976	32976-1G07-001	CLAMPER WIRE HARNESS	CLAMPER WIRE HARNESS	2	
	35759	35759-LBA7-900	SW ASSY GEAR CHANGE	SW ASSY GEAR CHANGE	1	
#	90001-GBHB-681	90001-GBHB-681	BOLT FLANGE SHF 6*28	BOLT FLANGE SHF 6*28	8	
	90001-GBHB-711	90001-GBHB-711	BOLT FLANGE SHF 6*40	BOLT FLANGE SHF 6*40	2	
	90001-GFY6	90001-GFY6-901	SOCKET BOLT 6*10	SOCKET BOLT 6*10	3	
	90031	90031-KEBE-900	BOLT A STUD 8MM	BOLT A STUD 8MM	2	
	90032	90032-KEBE-900	BOLT B STUD 8MM	BOLT B STUD 8MM	2	
	90114	90114-KED9-900	SCREW PAN 6*12	SCREW PAN 6*12	3	
	90133	90133-LLB1-900	WASHER BOLT SEAT	WASHER BOLT SEAT	1	
	90441-KDY4	90441-KDY4-901	PLATE BRG HOLD	PLATE BRG HOLD	2	
	90441-LBA7	90441-LBA7-900	PLATE BRG HOLD	PLATE BRG HOLD	1	
	90474	90474-3C33-001	WASHER 8MM	WASHER 8MM	1	
	9052A	9052A-GFY6-950	BOLT ASSY DRAIN PLUG	BOLT ASSY DRAIN PLUG	1	

E01

# Crank Case

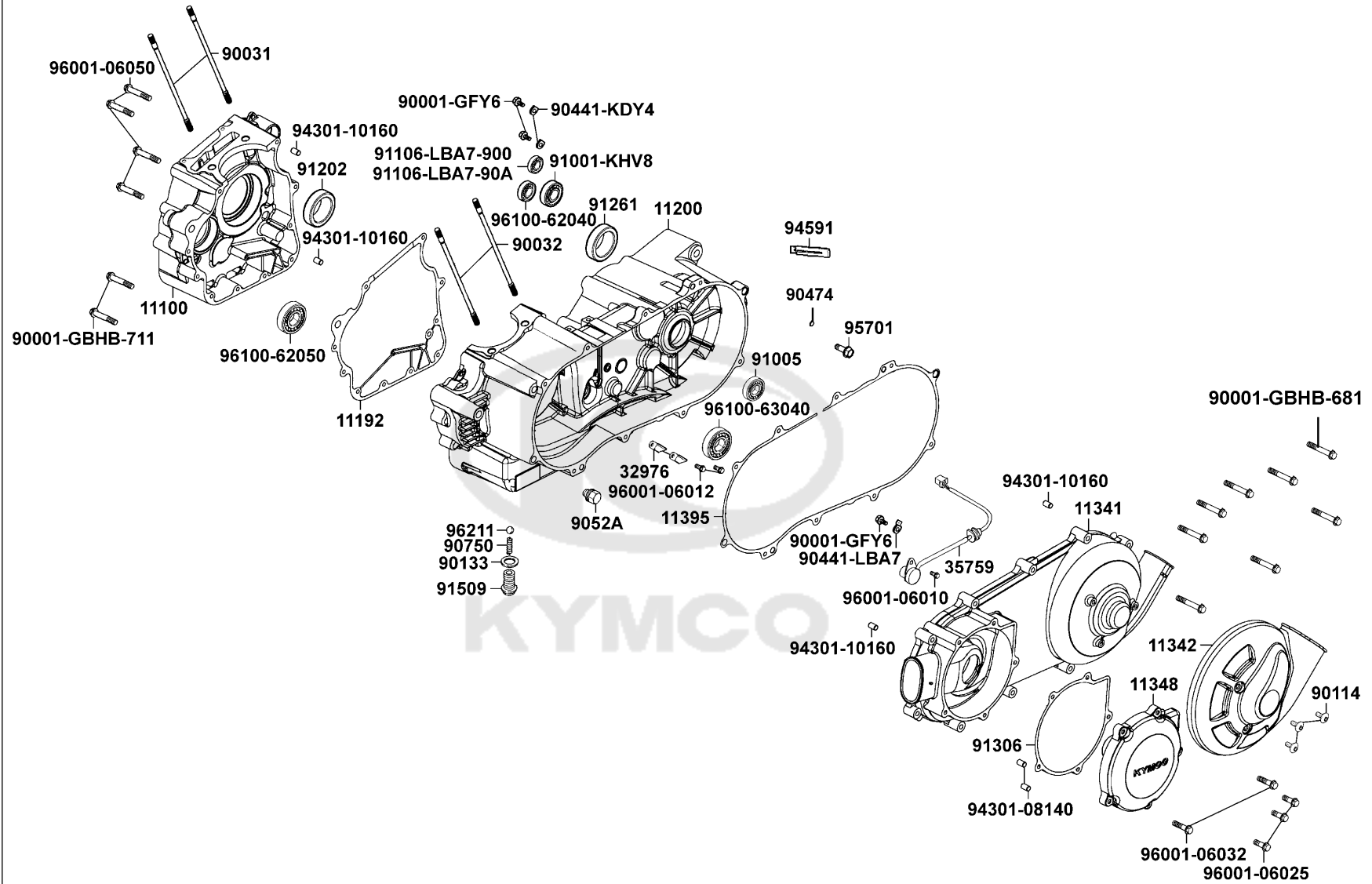




Sales mark	Ref no	Part no	Description	Reg description	Regd no	E01
	90750	90750-LLB1-900	SPRING BOLT SEAT INNER	SPRING BOLT SEAT INNER	1	
	91001-KHV8	91001-KHV8-004	BRG BALL RADIAL 6305	BRG BALL RADIAL 6305	1	
	91005	91005-LBA7-900	BEARING BALL RADIAL 6005LLU	BEARING BALL RADIAL 6005LLU	1	
	91106-LBA7-900	91106-LBA7-900	BRG NEEDLE 20*26*16	BRG NEEDLE 20*26*16	1	
	91106-LBA7-90A	91106-LBA7-90A	BRG NEEDLE 20*26*16	BRG NEEDLE 20*26*16	1	
#	91202	91202-KKC4-900	OIL SEAL 27*42*7	OIL SEAL 27*42*7	1	
#	91202	91202-KKC4-90B	OIL SEAL 27X42X7	OIL SEAL 27X42X7	1	
	91261	91261-4E15-004	OIL SEAL 25*40*8	OIL SEAL 25*40*8	1	
	91306	91306-LBA7-900	GASKET STARTING COVER	GASKET STARTING COVER	1	
	91509	91509-LLB1-900	BOLT SEAT BALL STOPPER	BOLT SEAT BALL STOPPER	1	
	94301-08140	94301-08140	DOWEL PIN 8*14	DOWEL PIN 8*14	2	
	94301-10160	94301-10160	DOWEL PIN 10*16	DOWEL PIN 10*16	4	
	94591	94591-LLB1-900	CLIP 2*100	CLIP 2*100	1	
#	95701	95701-08012-06	BOLT FLANGE 8*12	BOLT FLANGE 8*12	1	
#	96001-06010	96001-06010-06	BOLT FLANGE 6*10	BOLT FLANGE 6*10	1	
#	96001-06012	96001-06012-06	BOLT FLANGE SH 6*12	BOLT FLANGE SH 6*12	1	
#	96001-06025	96001-06025-06	BOLT FLANGE SH 6*25	BOLT FLANGE SH 6*25	1	
#	96001-06032	96001-06032-06	BOLT FLANGE 6*32	BOLT FLANGE 6*32	1	
#	96001-06050	96001-06050-06	BOLT FLANGE SH 6*50	BOLT FLANGE SH 6*50	1	
	96100-62040	96100-62040-00	BEARING BALL RADIAL 6204	BEARING BALL RADIAL 6204	1	

E01

# Crank Case



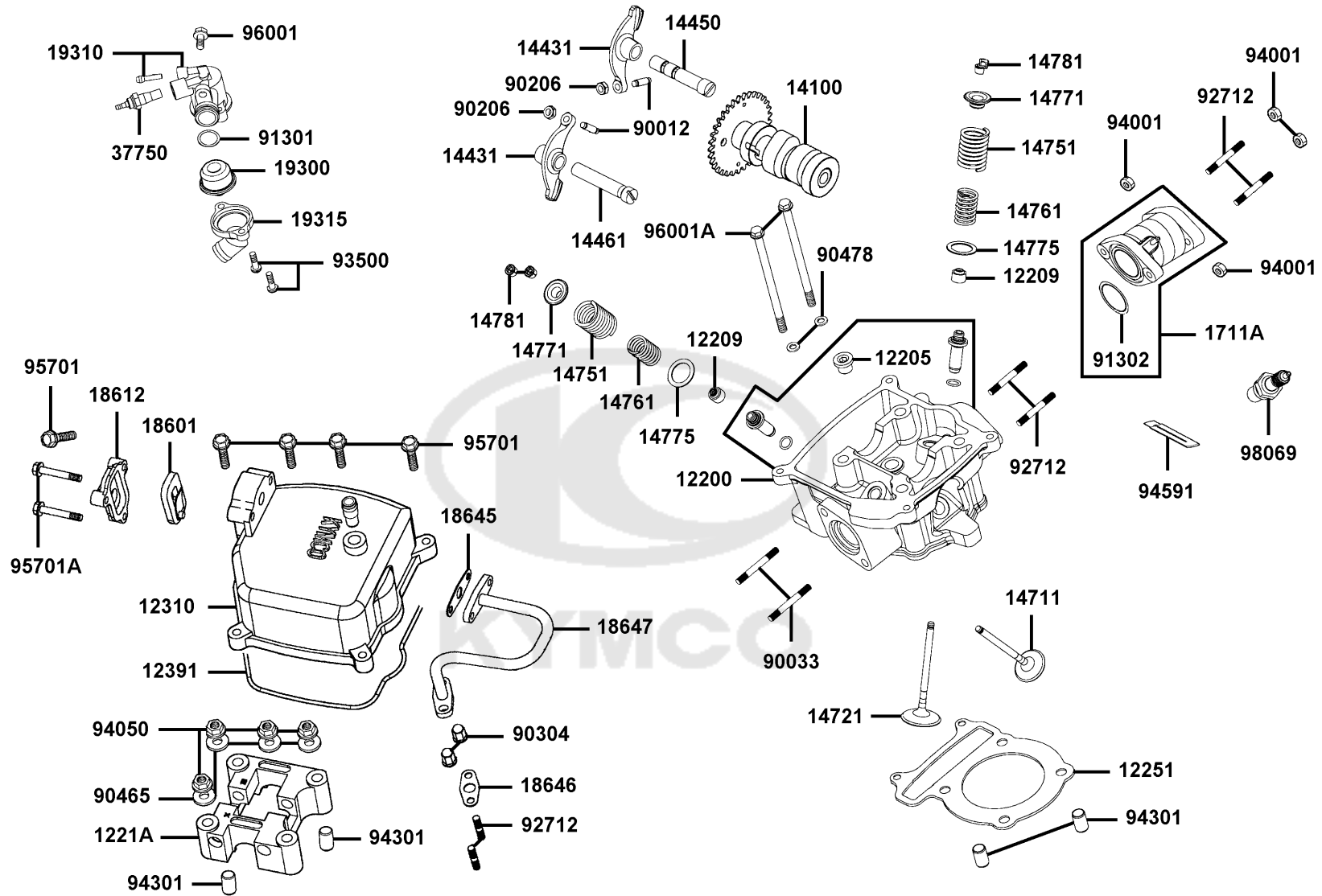
Sales mark	Ref no	Part no	Description	Reg description	Regd no	<b>E01</b>
------------	--------	---------	-------------	-----------------	---------	------------

96100-62050		96100-62050-00	BEARING BALL RADIAL 6205	BEARING BALL RADIAL 6205	1	
96100-63040		96100-63040-00	BRG BALL RADIAL 6304	BRG BALL RADIAL 6304	1	
96211		96211-12000	BALL STEEL #12	BALL STEEL #12	1	



E02

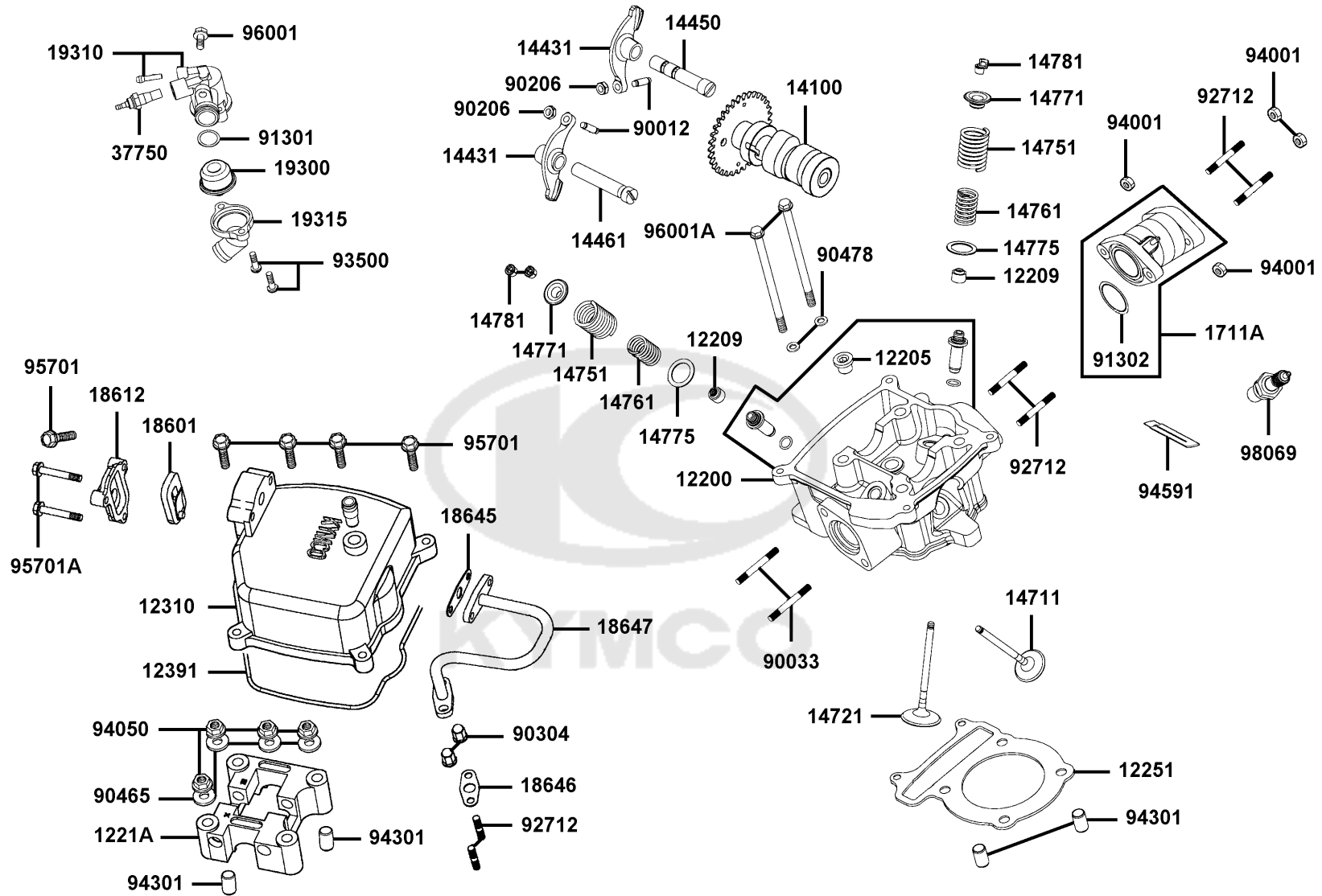
# Cylinder Head Cover Cylinder Head



Sales mark	Ref no	Part no	Description	Reg description	Regd no	E02
12200		12200-KHE7-900	HEAD COMP CYLN	HEAD COMP CYLN	1	
12205		12205-KHE8-301	BOLT SEALING 12MM	BOLT SEALING 12MM	1	
12209		12209-GDB4-68B	SEAL VALVE STEM	SEAL VALVE STEM	1	
1221A		1221A-KHE7-900	HOLDER COMP CAM SHAFT	HOLDER COMP CAM SHAFT	1	
12251		12251-KHE7-901	GASKET CYLINDER HEAD	GASKET CYLINDER HEAD	1	
12310		12310-KHE7-900	COVER COMP CYLN HEAD	COVER COMP CYLN HEAD	1	
12391		12391-KHE7-900	GASKET HEAD COVER	GASKET HEAD COVER	1	
14100		14100-LBA7-900	SHAFT COMP CAM	SHAFT COMP CAM	1	
14431		14431-KHE7-900	ARM VALVE ROCKER	ARM VALVE ROCKER	2	
14450		14450-KEBE-900	SHAFT COMP IN ROCKER ARM	SHAFT COMP IN ROCKER ARM	1	
14461		14461-KHE7-900	SHAFT EX ROCKER	SHAFT EX ROCKER	1	
14711		14711-KHE7-900	VALVE INLET	VALVE INLET	1	
14721		14721-KHE7-900	VALVE EXHAUST	VALVE EXHAUST	1	
14751		14751-KHE7-900	SPG VALVE OUTER	SPG VALVE OUTER	2	
14761		14761-KHE7-900	SPG VALVE INNER	SPG VALVE INNER	2	
14771		14771-GDB4-680	RETAINER VALVE SPRING	RETAINER VALVE SPRING	2	
14775		14775-MFA6-001	SEAT VALVE SPG OUTER	SEAT VALVE SPG OUTER	2	
14781		14781-MFA6-001	COTTER VALVE	COTTER VALVE	4	
1711A		1711A-LBA7-E00	PIPE COMP INLET	PIPE COMP INLET	1	
18601		18601-MAJ1-791	REED VALVE COMP	REED VALVE COMP	1	

E02

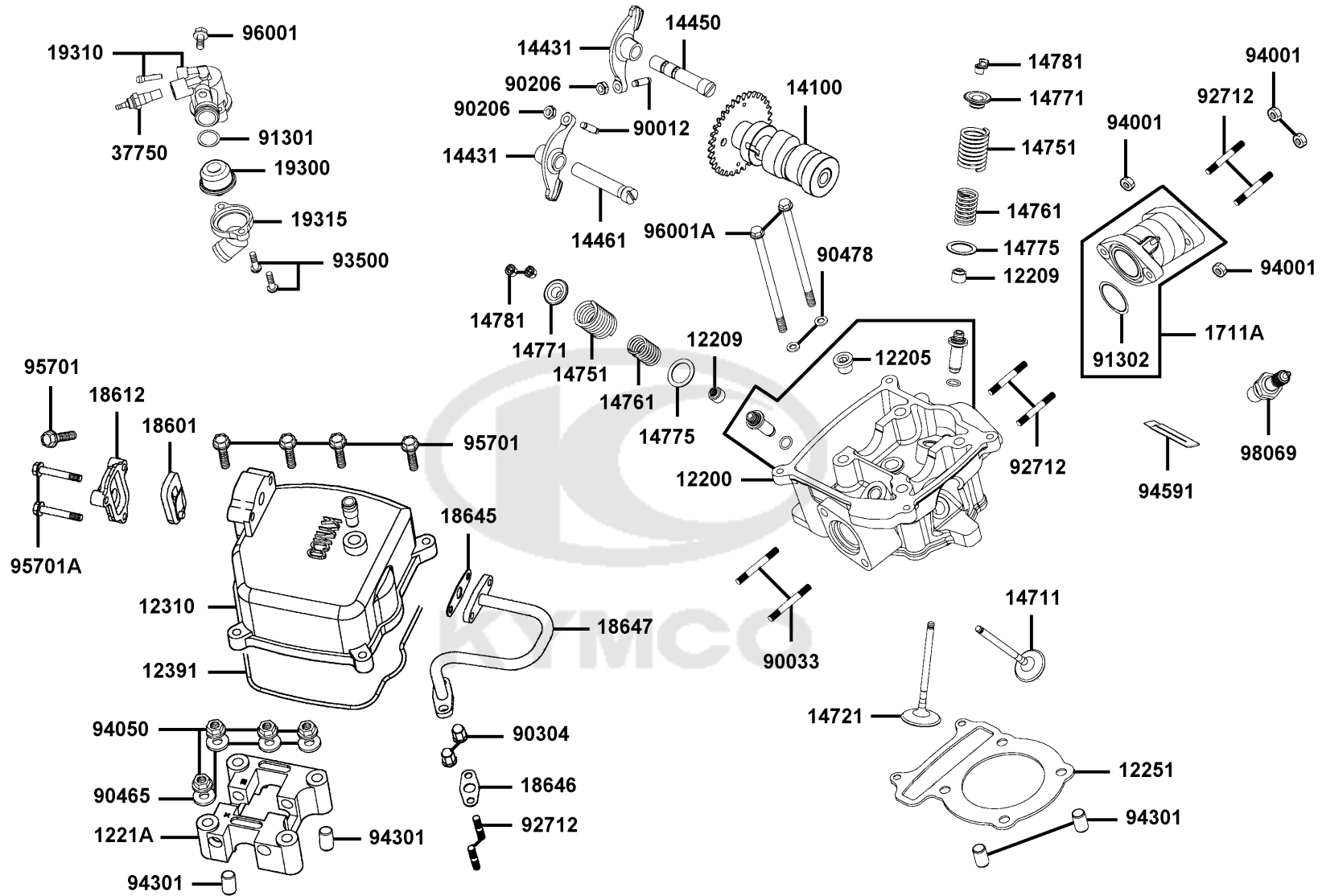
# Cylinder Head Cover Cylinder Head



Sales mark	Ref no	Part no	Description	Reg description	Regd no	<b>E02</b>
	18612	18612-GFY6-941	COVER REED VALVE	COVER REED VALVE	1	
	18645	18645-GFY6-941	GASKET A/I PIPE	GASKET A/I PIPE	1	
	18646	18646-GFY6-941	GASKET A/I PIPE	GASKET A/I PIPE	1	
	18647	18647-KHE7-900	PIPE COMP AIR	PIPE COMP AIR	1	
	19300	19300-KAE1-004	THERMOSTAT ASSY	THERMOSTAT ASSY	1	
	19310	19310-KHE7-900	CASE COMP THERMOSTAT	CASE COMP THERMOSTAT	1	
	19315	19315-LBA7-900	COVER THERMOSTAT	COVER THERMOSTAT	1	
	37750	37750-PAC1-005	THERMO UNIT ASSY	THERMO UNIT ASSY	1	
	90012	90012-3C33-001	SCREW TAPPET ADJUSTING	SCREW TAPPET ADJUSTING	2	
	90033	90033-GFY6-900	BOLT STUD 8*32	BOLT STUD 8*32	2	
	90206	90206-0A01-001	NUT TAPPET ADJG	NUT TAPPET ADJG	2	
	90304	90304-4H38-001	NUT HEX CAP 6MM	NUT HEX CAP 6MM	2	
	90465	90465-MDC4-001	WASHER 8MM	WASHER 8MM	4	
	90478	90478-7L00-001	WASHER A 6MM	WASHER A 6MM	2	
	91301	91301-KHE7-900	O-RING 17.8*1.9	O-RING 17.8*1.9	1	
	91302	91302-2L00-001	O-RING 33.5*3	O-RING 33.5*3	1	
#	92712	92712-06028-0B	BOLT STUD 6*28	BOLT STUD 6*28	6	
	93500	93500-05016-0F	SCREW PAN 5*16	SCREW PAN 5*16	1	
	94001	94001-06080-0S	NUT HEX 6MM	NUT HEX 6MM	4	
	94050	94050-08080	NUT FLANGE 8MM	NUT FLANGE 8MM	4	

E02

# Cylinder Head CoverCylinder Head



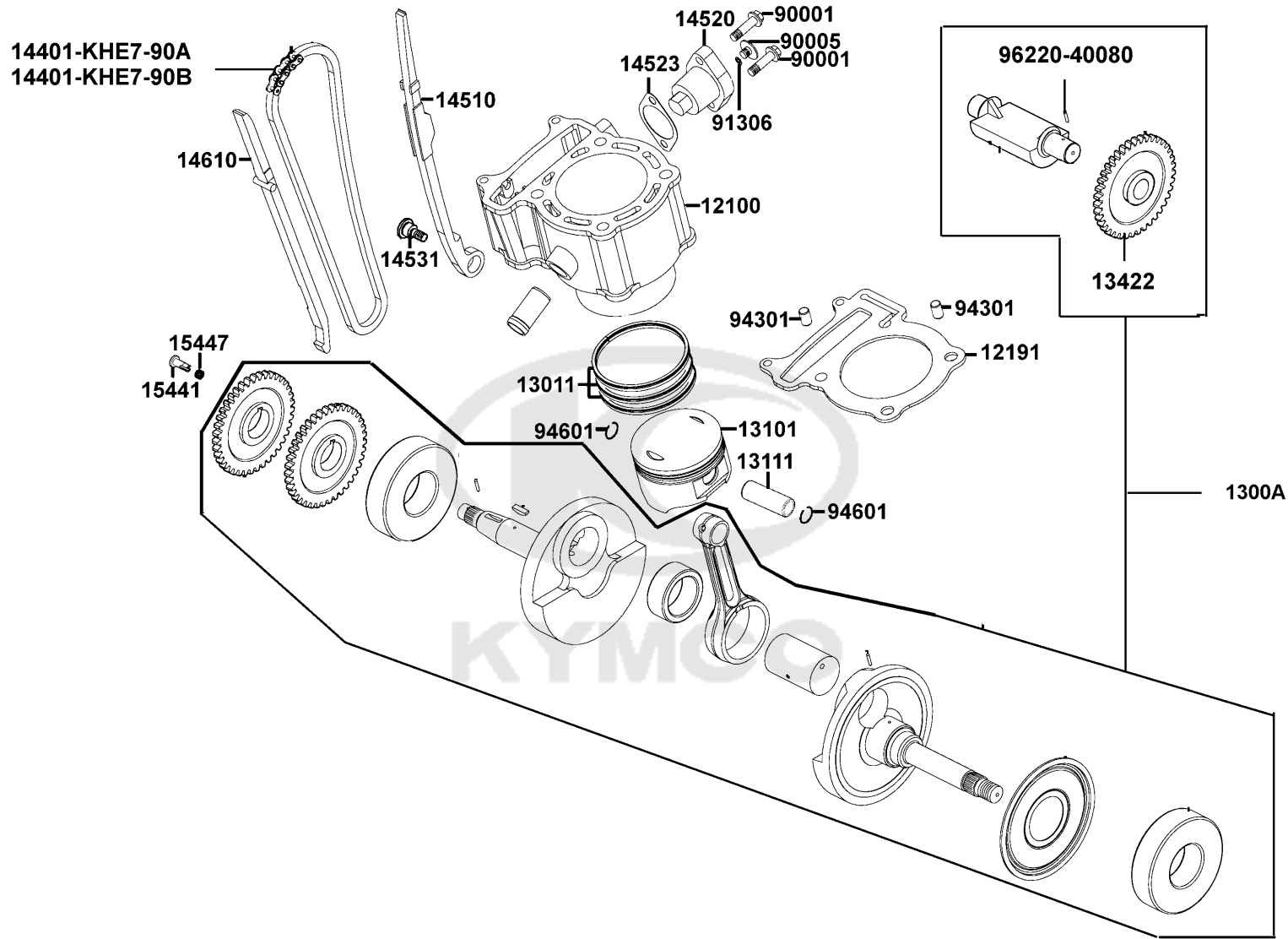


Sales mark	Ref no	Part no	Description	Reg description	Regd no	<b>E02</b>
	94301	94301-10160	DOWEL PIN 10*16	DOWEL PIN 10*16	4	
	94591	94591-KFBF-900	CLIP 2*70	CLIP 2*70	1	
#	95701	95701-06025-06	BOLT FLANGE 6*25	BOLT FLANGE 6*25	2	
#	95701A	95701-06040-06	BOLT FLANGE 6*40	BOLT FLANGE 6*40	1	
#	96001	96001-06018-06	BOLT FLANGE SH 6*18	BOLT FLANGE SH 6*18	1	
#	96001A	96001-06100-06	BOLT FLANGE SH 6*100	BOLT FLANGE SH 6*100	1	
	98069	98069-5791R-00	SPARK PLUG DPR(7EA-9)	SPARK PLUG DPR(7EA-9)	1	



E03

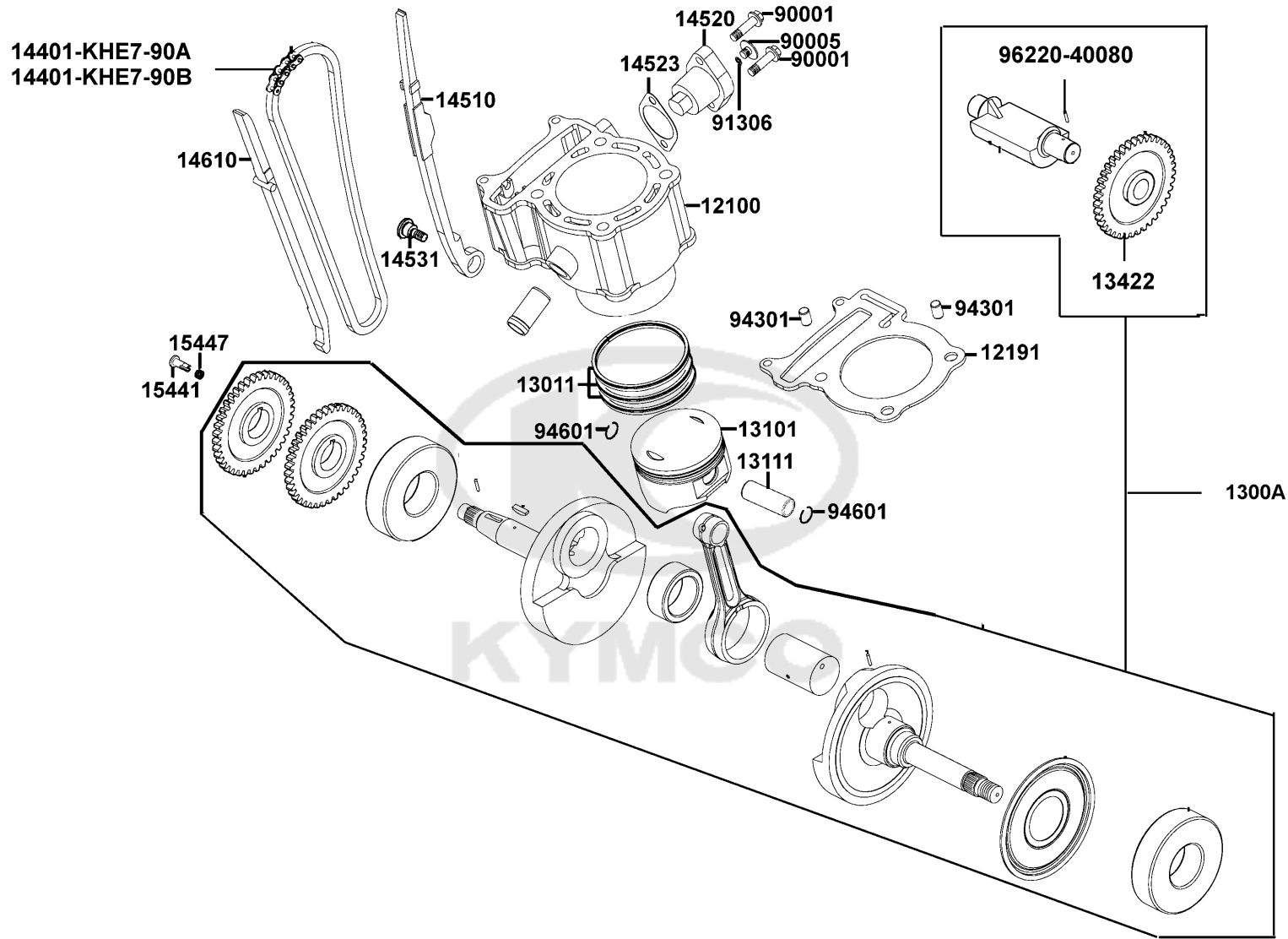
# CylinderPiston Crankshaft



Sales mark	Ref no	Part no	Description	Reg description	Regd no	E03
	12100	12100-KHE7-900	CYLINDER COMP	CYLINDER COMP	1	
	12191	12191-KHE7-910	GASKET CYLINDER	GASKET CYLINDER	1	
	1300A	1300A-PWA1-305	CRANK SHAFT COMP	CRANK SHAFT COMP	1	
	13011	13011-KHE7-900	RING SET PISTON	RING SET PISTON	1	
	13101	13101-KHE7-900	PISTON	PISTON	1	
	13111	13111-KHE7-900	PIN PISTON	PIN PISTON	1	
	13422	13422-LBA7-900	GEAR BALANCER DRIVEN	GEAR BALANCER DRIVEN	1	
	14401-KHE7-90A	14401-KHE7-90A	CHAIN CAM	CHAIN CAM	1	
	14401-KHE7-90B	14401-KHE7-90B	CHAIN CAM	CHAIN CAM	1	
	14510	14510-KHE7-900	TENSIONER CAM CHAIN	TENSIONER CAM CHAIN	1	
	14520	14520-GFY6-90A	LIFTER ASSY TENSIONER	LIFTER ASSY TENSIONER	1	
	14523	14523-KED9-900	GASKET TENSIONER LIFTER @A	GASKET TENSIONER LIFTER @A	1	
	14531	14531-KHE7-900	PIVOT CAM CHAIN TENSIONER	PIVOT CAM CHAIN TENSIONER	1	
	14610	14610-KHE7-900	GUIDE COMP CAM CHAIN	GUIDE COMP CAM CHAIN	1	
	15441	15441-1K49-001	OIL THROUGH	OIL THROUGH	1	
	15447	15447-1K49-001	SPG OIL THROUGH	SPG OIL THROUGH	1	
#	90001	90001-GBHB-661	BOLT FLANGE SH 6*22	BOLT FLANGE SH 6*22	2	
#	90005	90005-KED9-900	BOLT SPECIAL 6*6	BOLT SPECIAL 6*6	1	
	91306	91306-1E05-691	O-RING 1.5*9.5	O-RING 1.5*9.5	1	
	94301	94301-10160	DOWEL PIN 10*16	DOWEL PIN 10*16	2	

E03

# CylinderPiston Crankshaft



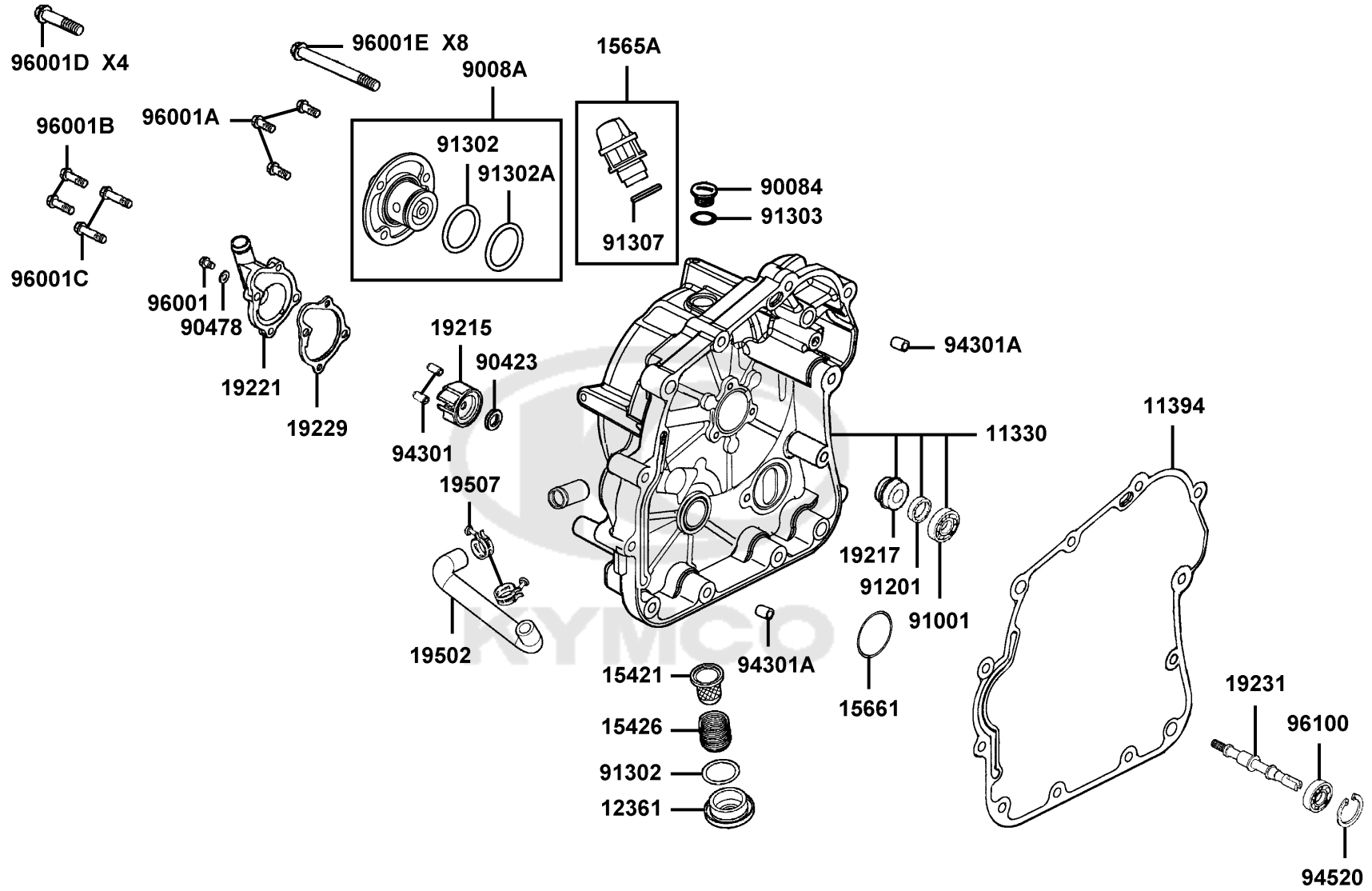
Sales mark	Ref no	Part no	Description	Reg description	Regd no	<b>E03</b>
------------	--------	---------	-------------	-----------------	---------	------------

	94601	94601-17000	CLIP PISTON PIN 17MM	CLIP PISTON PIN 17MM	2	
	96220-40080	96220-40080	ROLLER 4*8	ROLLER 4*8	1	



E04

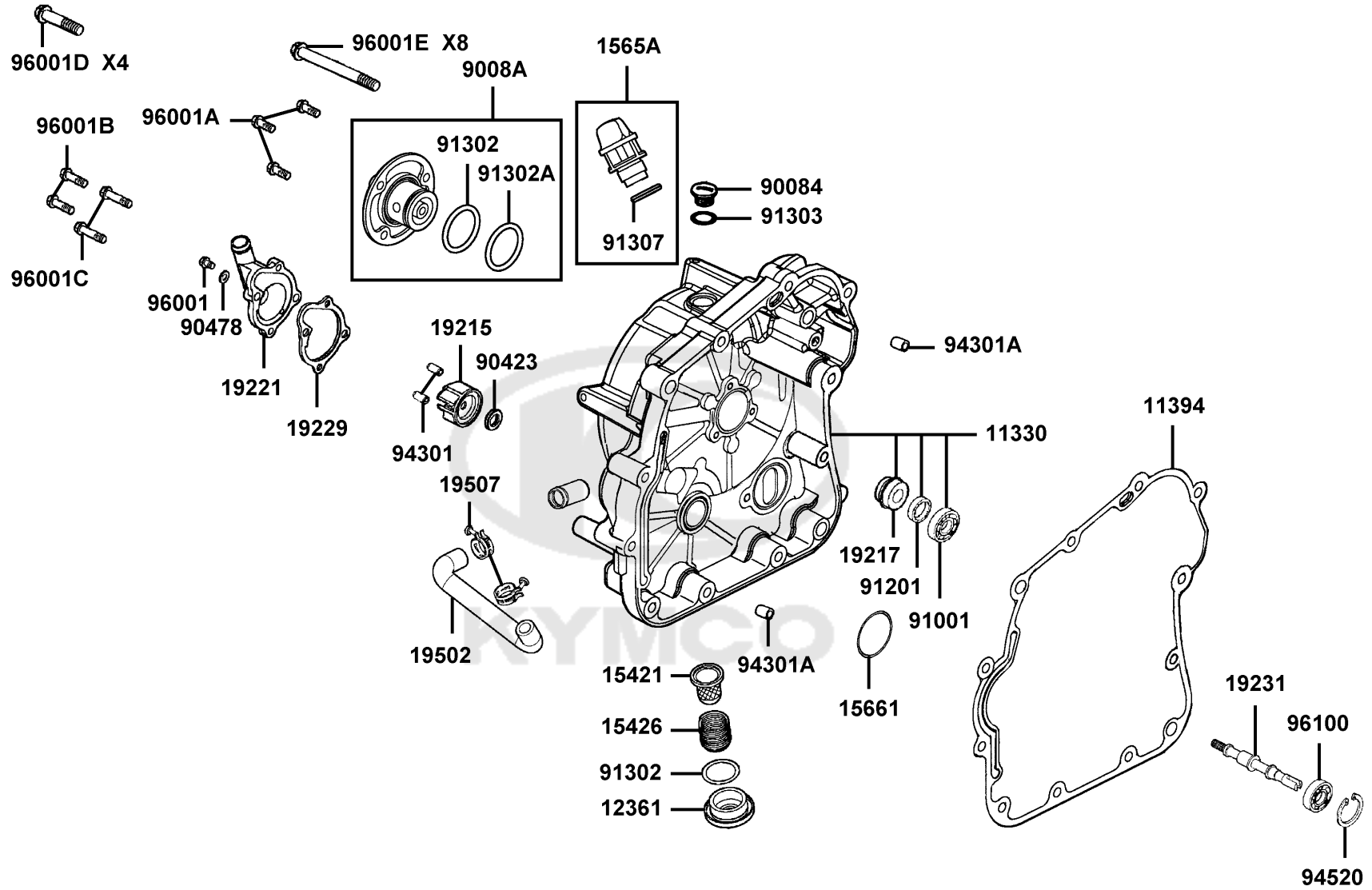
# Right Crankcase Cover Water Pump



Sales mark	Ref no	Part no	Description	Reg description	Regd no	E04
**	11330	11330-LBA7-900	COVER COMP R CRANK CASE	COVER COMP R CRANK CASE	1	
	11394	11394-LBA7-900	GASKET R COVER	GASKET R COVER	1	
	12361	12361-GFY6-901	HOLE CAP TAPPET ADJUSTING	HOLE CAP TAPPET ADJUSTING	1	
	15421	15421-1G07-001	SCREEN OIL FILTER	SCREEN OIL FILTER	1	
	15426	15426-GAE1-921	SPG OIL FILTER SCREEN	SPG OIL FILTER SCREEN	1	
	1565A	1565A-KKAK-900	GAUGE OIL LEVEL ASSY	GAUGE OIL LEVEL ASSY	1	
	15661	15661-LBA7-900	FINDER OIL LEVEL	FINDER OIL LEVEL	1	
	19215	19215-KHE7-900	IMPELLER WATER PUMP	IMPELLER WATER PUMP	1	
	19217	19217-6G57-024	SEAL MECHANICAL	SEAL MECHANICAL	1	
**	19221	19221-KHE7-900	COVER WATER PUMP	COVER WATER PUMP	1	
	19229	19229-LBA7-900	GASKET WATER OUMP	GASKET WATER OUMP	1	
	19231	19231-KKJ9-011	SHAFT WATER PUMP	SHAFT WATER PUMP	1	
	19502	19502-LBA7-900	HOSE B WATER	HOSE B WATER	1	
#	19507	19507-LDB5-E00	CLAMP D 28	CLAMP D 28	2	
	90084	90084-4H28-001	CAP ACG	CAP ACG	1	
	9008A	9008A-LBA7-900	CAP ASSY R COVER	CAP ASSY R COVER	1	
	90423	90423-KKJ9-001	WASHER 7.2*13*1.2	WASHER 7.2*13*1.2	1	
	90478	90478-7L00-001	WASHER A 6MM	WASHER A 6MM	1	
	91001	91001-KKJ9-006	BRG BALL RADIAL 6901	BRG BALL RADIAL 6901	1	
	91201	91201-KKJ9-004	OIL SEAL 12*20*4	OIL SEAL 12*20*4	1	

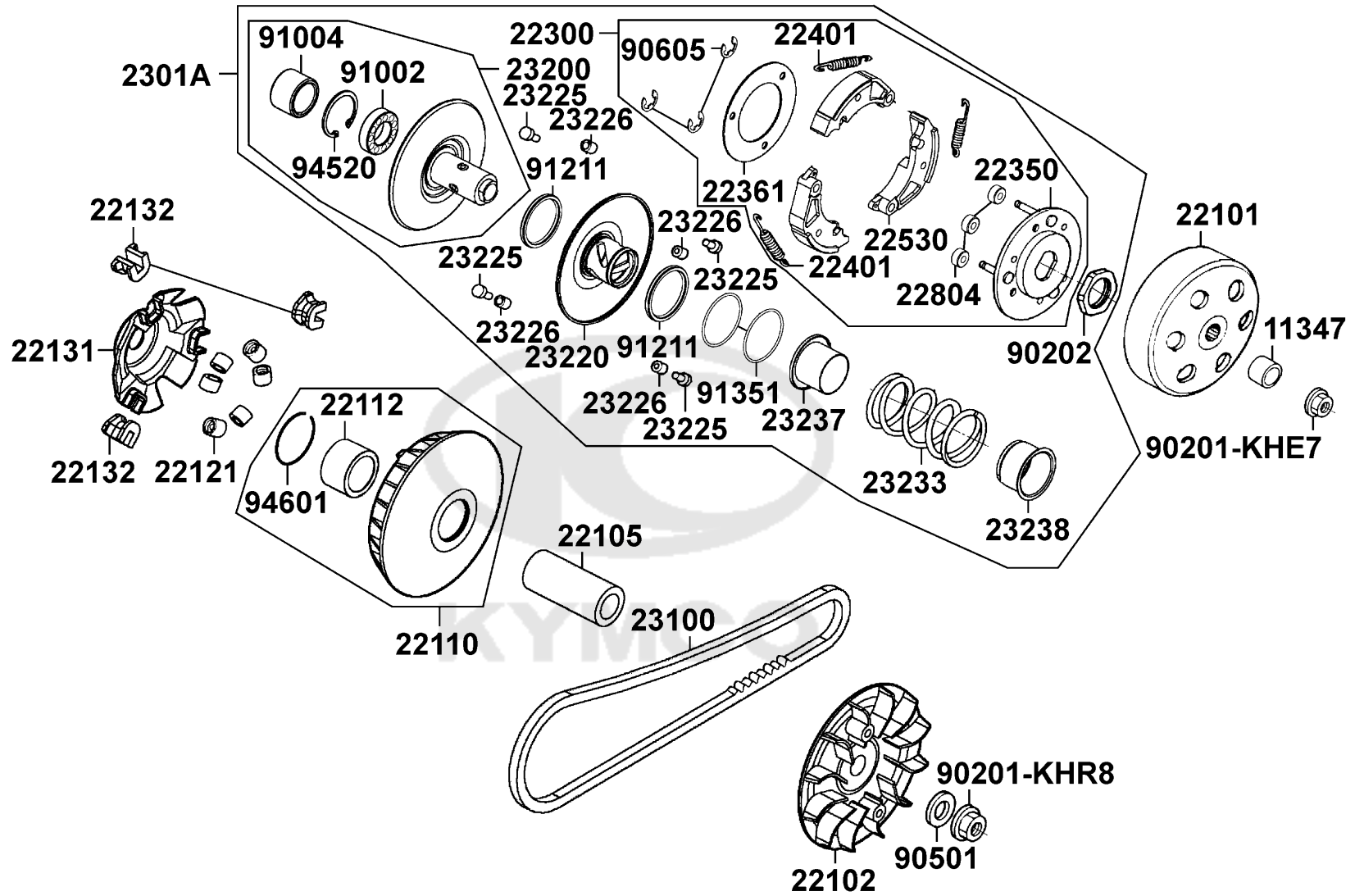
E04

# Right Crankcase Cover Water Pump

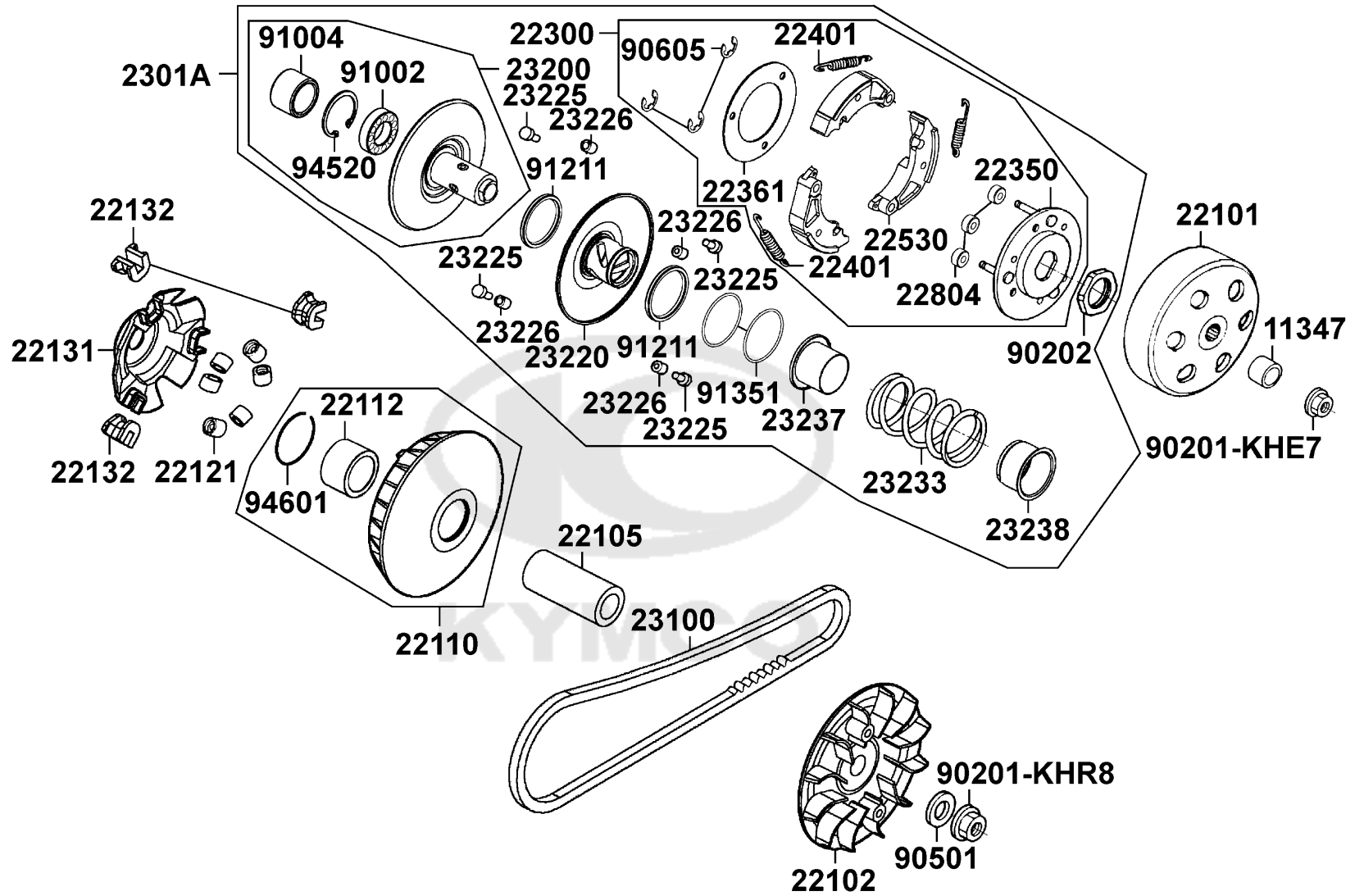




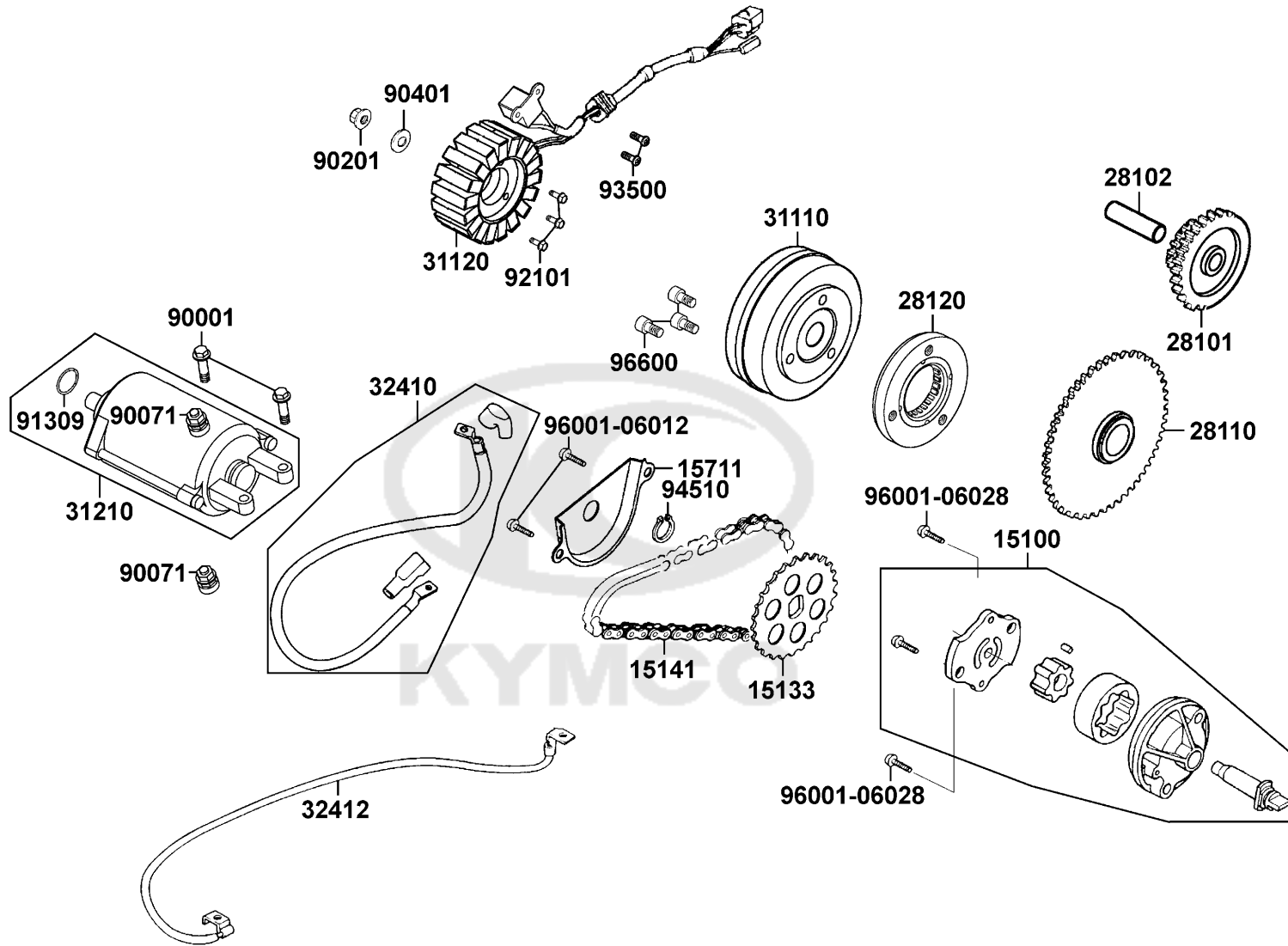
Sales mark	Ref no	Part no	Description	Reg description	Regd no	<b>E04</b>
	91302	91302-0A01-021	O-RING 30.8M/M	O-RING 30.8M/M	2	
	91302A	91302-KHE7-900	O-RING 27.4*2.1MM	O-RING 27.4*2.1MM	1	
	91303	91303-3G77-001	O-RING 13.8*2.5	O-RING 13.8*2.5	1	
	91307	91307-0E35-001	O RING 18*3	O RING 18*3	1	
	94301	94301-08140	DOWEL PIN 8*14	DOWEL PIN 8*14	2	
	94301A	94301-10160	DOWEL PIN 10*16	DOWEL PIN 10*16	2	
	94520	94520-26000	CIR CLIP INTERAL 26MM	CIR CLIP INTERAL 26MM	1	
	96001	96001-06010-00	BOLT FLANGE SH 6X10	BOLT FLANGE SH 6X10	1	
#	96001A	96001-06016-06	BOLT FLANGE SH 6*16	BOLT FLANGE SH 6*16	1	
#	96001B	96001-06022-06	BOLT FLANGE SH 6*22 (G)	BOLT FLANGE SH 6*22 (G)	1	
#	96001C	96001-06028-06	BOLT FLANGE SH 6*28	BOLT FLANGE SH 6*28	1	
#	96001D	96001-06045-06	BOLT FLANGE 6*45 **07 C.2005.07.01	BOLT FLANGE 6*45 **07 C.2005.07.01	1	
#	96001E	96001-06125-06	BOLT FLANGE SH 6*125	BOLT FLANGE SH 6*125	1	
	96100	96100-60000-00	BEARING BALL RADIAL 6000	BEARING BALL RADIAL 6000	1	



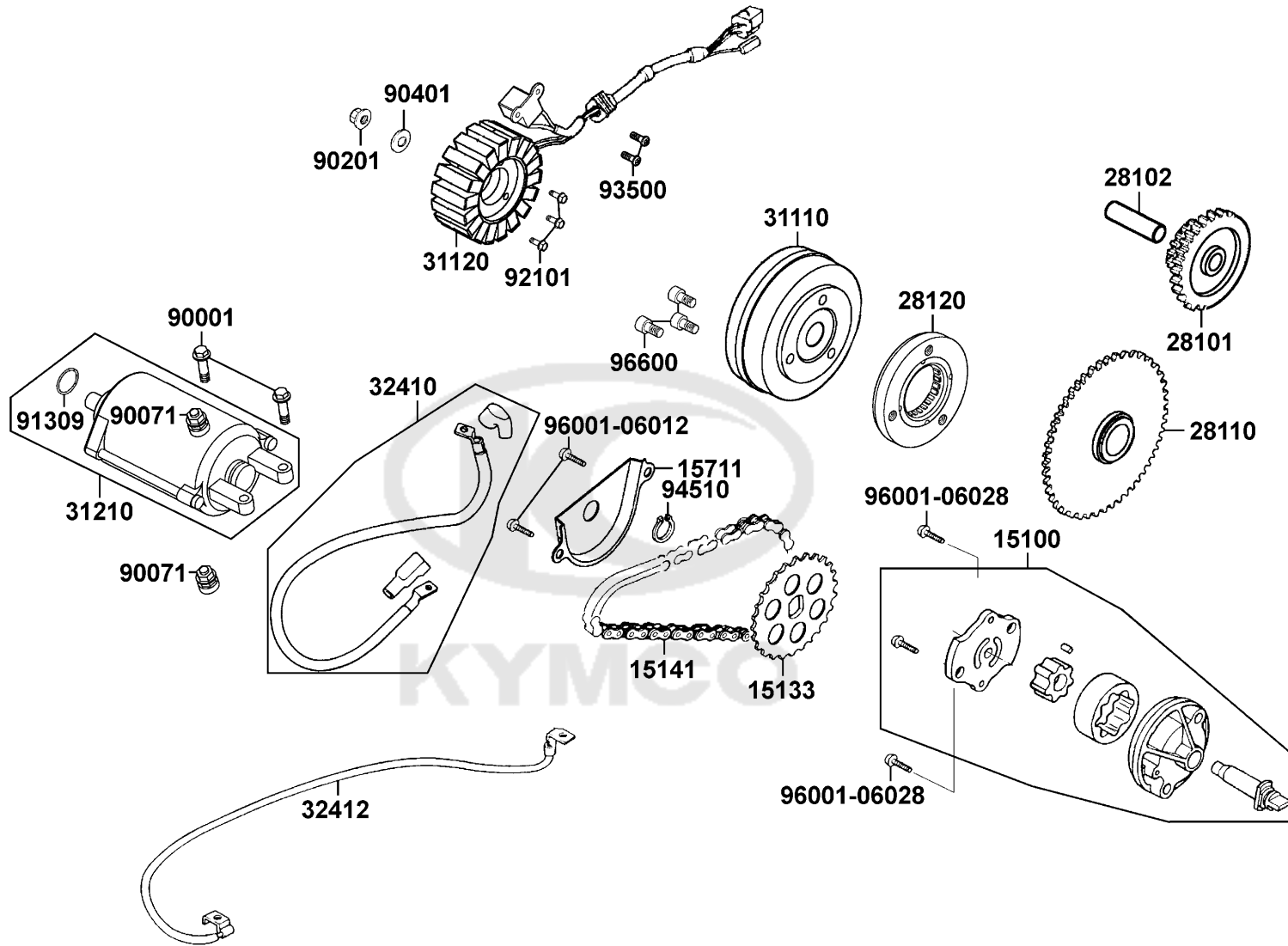
Sales mark	Ref no	Part no	Description	Reg description	Regd no	E05
	11347	11347-LBA7-900	BOSS DRIVE SHAFT	BOSS DRIVE SHAFT	1	
	22101	22101-LBA7-900	OUTER CLUTCH	OUTER CLUTCH	1	
	22102	22102-KHE7-900	FACE DRIVE	FACE DRIVE	1	
	22105	22105-LBA7-900	BOSS DRIVE FACE	BOSS DRIVE FACE	1	
	22110	22110-KHE7-900	FACE COMP MOVABLE DRIVE	FACE COMP MOVABLE DRIVE	1	
	22112	22112-KHE7-900	BUSH 27*33*37	BUSH 27*33*37	1	
	22121	22121-LBA7-900	ROLLER COMP WEIGHT	ROLLER COMP WEIGHT	6	
	22131	22131-LBA7-900	PLATE RAMP	PLATE RAMP	1	
	22132	22132-KHE7-900	PIECE SLIDE	PIECE SLIDE	3	
	22300	22300-LBA7-900	PLATE ASSY DRIVE	PLATE ASSY DRIVE	1	
	22350	22350-KHE7-900	PLATE COMP DRIVE	PLATE COMP DRIVE	1	
	22361	22361-LEA7-E00	PLATE CLUTCH SIDE	PLATE CLUTCH SIDE	1	
	22401	22401-LBA7-900	SPRING CLUTCH	SPRING CLUTCH	3	
	22530	22530-LBA7-900	WEIGHT CLUTCH	WEIGHT CLUTCH	3	
	22804	22804-GBB2-001	RUBBER CLUTCH DAMPER	RUBBER CLUTCH DAMPER	3	
	2301A	2301A-LBA7-900	PULLEY SUB ASSY	PULLEY SUB ASSY	1	
#	23100	23100-KHE7-90B	BELT DRIVE(Maker:MITSUBOSHI)	BELT DRIVE(Maker:MITSUBOSHI)	1	
	23200	23200-KHE7-900	FACE ASSY DRIVEN	FACE ASSY DRIVEN	1	
	23220	23220-LLJ3-E00	FACE COMP MOVABLE DRIVEN	FACE COMP MOVABLE DRIVEN	1	
	23225	23225-KHE7-900	PIN ROLLER GUIDE	PIN ROLLER GUIDE	4	



Sales mark	Ref no	Part no	Description	Reg description	Regd no	<b>E05</b>
23226		23226-GHC8-004	ROLLER GUIDE	ROLLER GUIDE	4	
23233		23233-LBA7-900	SPG DRIVEN FACE	SPG DRIVEN FACE	1	
23237		23237-KHE7-900	COLLAR SEAL	COLLAR SEAL	1	
23238		23238-KHE7-900	COLLAR SPG	COLLAR SPG	1	
90201-KHE7		90201-KHE7-900	NUT C FLANGE M12	NUT C FLANGE M12	1	
90201-KHR8		90201-KHR8-75A	NUT FLANGE 14MM	NUT FLANGE 14MM	1	
90202		90202-1G87-001	NUT SPECIAL 28MM	NUT SPECIAL 28MM	1	
90501		90501-LBA7-900	WASHER THRUST 16MM	WASHER THRUST 16MM	1	
90605		90605-1F66-721	CIR CLIP 7MM	CIR CLIP 7MM	3	
91002		91002-GGA7-70A	BRG BALL RADIAL 6902U	BRG BALL RADIAL 6902U	1	
91004		91004-KHE7-900	BRG NDL 22*29*18	BRG NDL 22*29*18	1	
91211		91211-KHE7-900	SEAL DRIVEN FACE	SEAL DRIVEN FACE	2	
91351		91351-KHE7-900	O-RING PINION CAP	O-RING PINION CAP	2	
94520		94520-28000	CIR CLIP IN 28	CIR CLIP IN 28	1	
94601		94601-33000	CLIP PISTON PIN 33MM	CLIP PISTON PIN 33MM	1	



Sales mark	Ref no	Part no	Description	Reg description	Regd no	E06
	15100	15100-LBA7-900	PUMP ASSY OIL	PUMP ASSY OIL	1	
	15133	15133-KAM1-001	SPROCKET OIL PUMP DRIVE	SPROCKET OIL PUMP DRIVE	1	
	15141	15141-KKJ9-004	CHAIN OIL PUMP	CHAIN OIL PUMP	1	
	15711	15711-KHE7-900	SEPARATER OIL	SEPARATER OIL	1	
	28101	28101-KHE7-900	GEAR STARTER REDUCTION	GEAR STARTER REDUCTION	1	
	28102	28102-KHE7-900	SHAFT STARTER REDUCTION GEAR	SHAFT STARTER REDUCTION GEAR	1	
	28110	28110-LDB2-E00	GEAR COMP STARTING CLUTCH	GEAR COMP STARTING CLUTCH	1	
	28120	28120-LDB2-E00	ONE WAY CLUTCH	ONE WAY CLUTCH	1	
	31110	31110-LBA7-90A	FLYWHEEL COMP /D406	FLYWHEEL COMP /D406	1	
	31120	31120-LBA7-90A	STASOR COMP /D406	STASOR COMP /D406	1	
	31210	31210-LBA7-900	MOTOR UNIT STARTER	MOTOR UNIT STARTER	1	
	32410	32410-LBA7-900	CABLE STARTER MOTOR	CABLE STARTER MOTOR	1	
	32412	32412-LBA7-900	CABLE EARTH	CABLE EARTH	1	
#	90001	90001-GBHB-661	BOLT FLANGE SH 6*22	BOLT FLANGE SH 6*22	2	
	90071	90071-MLB0-001	NUT WASH 6MM	NUT WASH 6MM	2	
	90201	90201-KHR8-75A	NUT FLANGE 14MM	NUT FLANGE 14MM	1	
	90401	90401-KKJ9-001	WASHER THRUST 14*28*2	WASHER THRUST 14*28*2	1	
	91309	91309-4E25-004	O-RING 24.4*3.1	O-RING 24.4*3.1	1	
#	92101	92101-05032-0G	BOLT HEX 5*32	BOLT HEX 5*32	1	
	93500	93500-05016-0F	SCREW PAN 5*16	SCREW PAN 5*16	1	





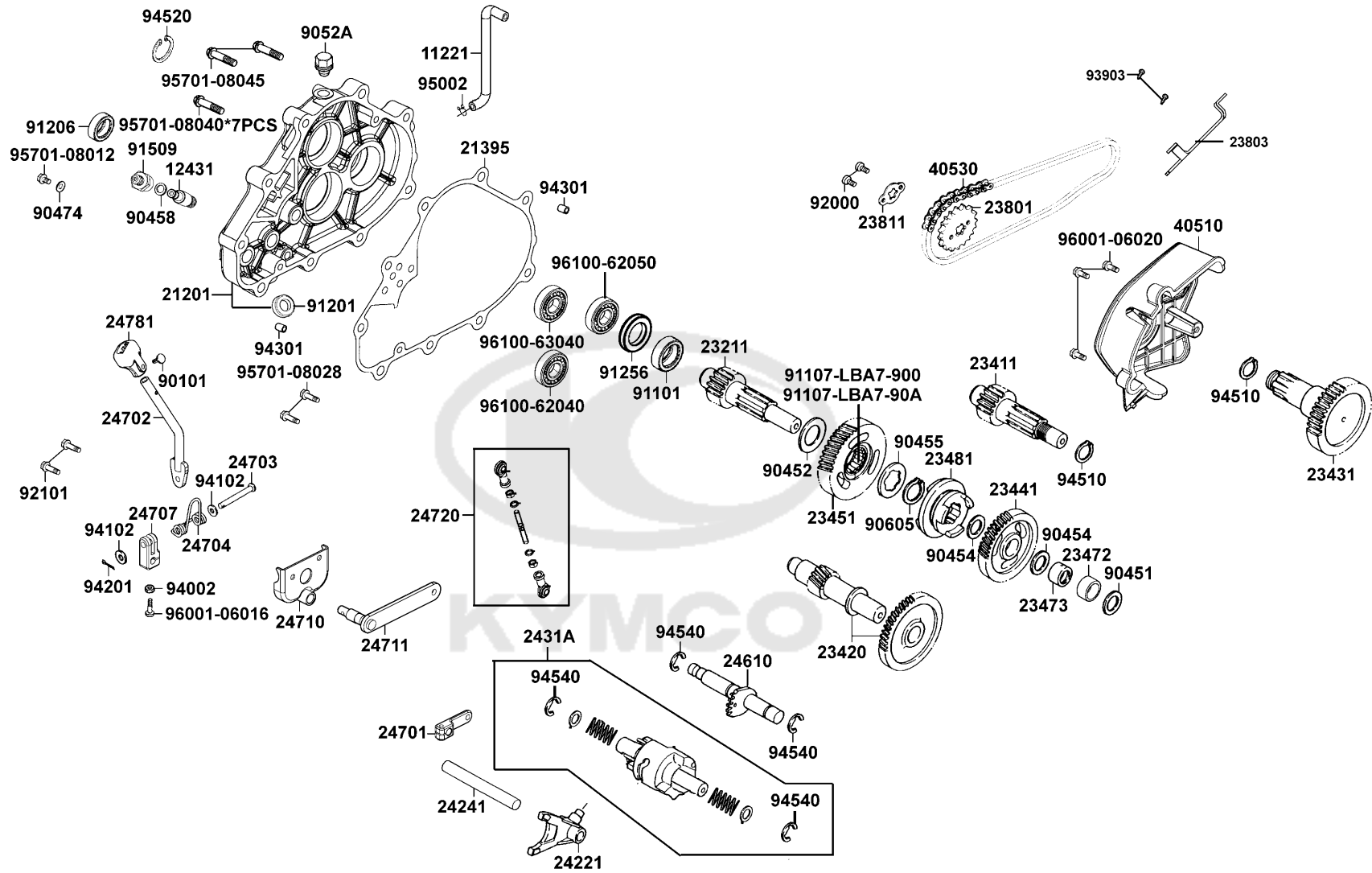
Sales mark	Ref no	Part no	Description	Reg description	Regd no	<b>E06</b>
------------	--------	---------	-------------	-----------------	---------	------------

	94510	94510-10000	CIR CLIP EX 10MM	CIR CLIP EX 10MM	1	
#	96001-06012	96001-06012-06	BOLT FLANGE SH 6*12	BOLT FLANGE SH 6*12	1	
#	96001-06028	96001-06028-06	BOLT FLANGE SH 6*28	BOLT FLANGE SH 6*28	1	
#	96600	96600-08015-16	SOCKET BOLT 8*15	SOCKET BOLT 8*15	1	



E07

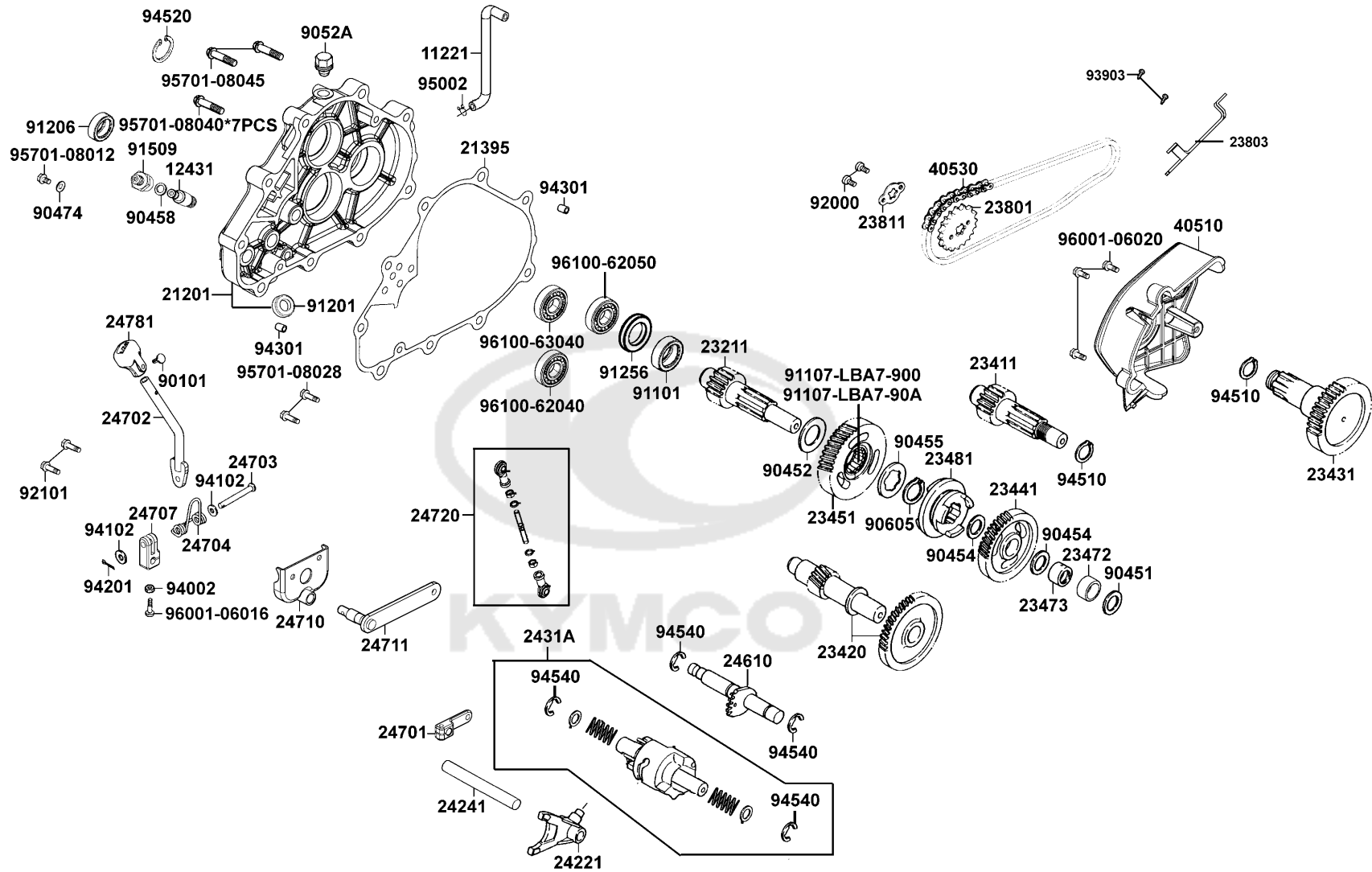
# Transmission



Sales mark	Ref no	Part no	Description	Reg description	Regd no	<b>E07</b>
11221		11221-LBA7-900	TUBE MISSION BREATHER	TUBE MISSION BREATHER	1	
12431		12431-LBA7-E00	GEAR TACHOMETER	GEAR TACHOMETER	1	
21201		21201-LCA5-E00	CASE MISSION	CASE MISSION	1	
21395		21395-LBA7-900	GASKET MISSION CASE	GASKET MISSION CASE	1	
23211		23211-LBA7-E00	SHAFT MAIN	SHAFT MAIN	1	
23411		23411-PTA3-E00	SHAFT DRIVE	SHAFT DRIVE	1	
23420		23420-LBA7-900	GEAR COMP COUNTER	GEAR COMP COUNTER	1	
23431		23431-LBA7-600	SHAFT FINAL	SHAFT FINAL	1	
23441		23441-PTA3-E00	GEAR FORWARD	GEAR FORWARD	1	
23451		23451-LBA7-900	GEAR BACKWARD	GEAR BACKWARD	1	
23472		23472-LBA7-900	COLLAR 20*25*11	COLLAR 20*25*11	1	
23473		23473-LBA7-900	COLLAR 20*22*11	COLLAR 20*22*11	1	
23481		23481-LBA7-900	SHIFT MAIN	SHIFT MAIN	1	
23801		23801-LBA7-900	SPROCKET DRIVE 14T	SPROCKET DRIVE 14T	1	
23803		23803-LBA7-900	STAY CHAIN	STAY CHAIN	1	
23811		23811-LBA7-900	PLATE A2 FIXING	PLATE A2 FIXING	1	
24221		24221-PTA3-E00	FORK GEAR SHIFT	FORK GEAR SHIFT	1	
24241		24241-KGB4-C00	SHAFT GEAR SHIFT FORK GUIDE	SHAFT GEAR SHIFT FORK GUIDE	1	
2431A		2431A-LBA7-900	DRUM ASSY GEAR SHIFT	DRUM ASSY GEAR SHIFT	1	
24610		24610-LLB1-900	SPINDLE ASSY DRUM SHIFT	SPINDLE ASSY DRUM SHIFT	1	

E07

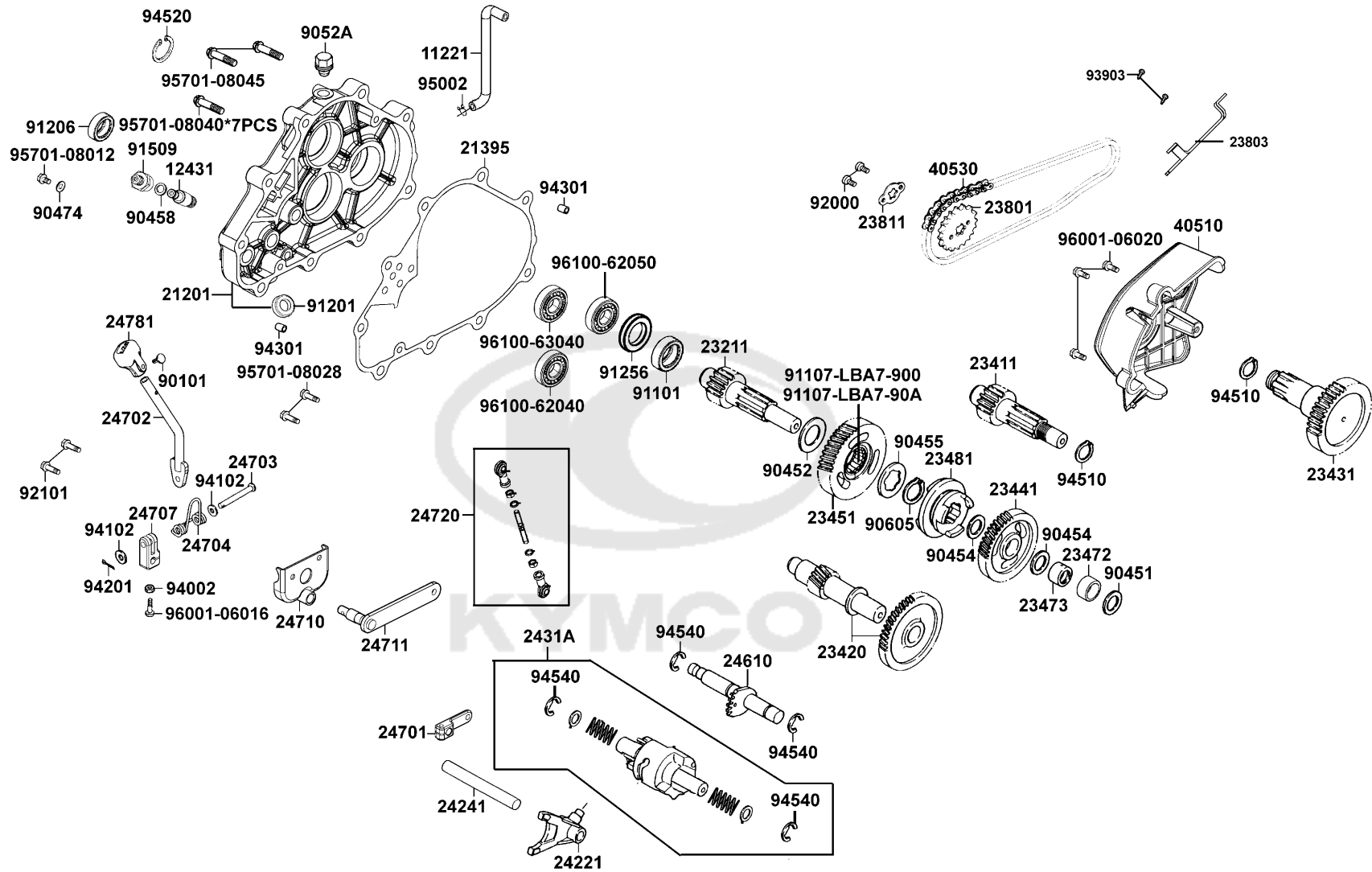
# Transmission



Sales mark	Ref no	Part no	Description	Reg description	Regd no	E07
	24701	24701-LBA7-900	GEAR CHANGE HANDLE	GEAR CHANGE HANDLE	1	
	24702	24702-LBA7-900	BAR CHANGE HANDLE	BAR CHANGE HANDLE	1	
	24703	24703-LLB1-900	PIN CHANGE HANDLE	PIN CHANGE HANDLE	1	
	24704	24704-LBA7-900	SPRING CHANGE HANDLE	SPRING CHANGE HANDLE	1	
	24707	24707-LBA7-900	BRKT CHANGE HANDLE	BRKT CHANGE HANDLE	1	
	24710	24710-LBA7-900	STAY CHANGE HANDLE ASSY	STAY CHANGE HANDLE ASSY	1	
	24711	24711-LBA7-900	SHAFT COMP CHANGE HANDLE	SHAFT COMP CHANGE HANDLE	1	
	24720	24720-LBA7-900	ROD ASSY CHANGE HANDLE	ROD ASSY CHANGE HANDLE	1	
	24781	24781-LBA7-900	COVER CHANGE HANDLE	COVER CHANGE HANDLE	1	
	40510	40510-LBA7-E00	CHAIN COVER	CHAIN COVER	1	
	40530	40530-LCA5-E00	CHAIN DRIVE	CHAIN DRIVE	1	
	90101	90101-LBA7-900	BOLT SOCKET 5*20	BOLT SOCKET 5*20	1	
	90451	90451-LBA7-900	WASHER THRUST 20MM	WASHER THRUST 20MM	1	
	90452	90452-LBA7-900	WASHER THRUST 25MM	WASHER THRUST 25MM	1	
	90454	90454-1G07-001	WASHER THRUST 20MM B	WASHER THRUST 20MM B	2	
	90455	90455-LBA7-900	WASHER SPLINE 25MM	WASHER SPLINE 25MM	1	
	90458	90458-LBA7-E00	THRUST WASHER 8MM	THRUST WASHER 8MM	1	
	90474	90474-3C33-001	WASHER 8MM	WASHER 8MM	1	
	9052A	9052A-GFY6-950	BOLT ASSY DRAIN PLUG	BOLT ASSY DRAIN PLUG	1	
	90605	90605-KED9-900	SET RING 28MM	SET RING 28MM	1	

E07

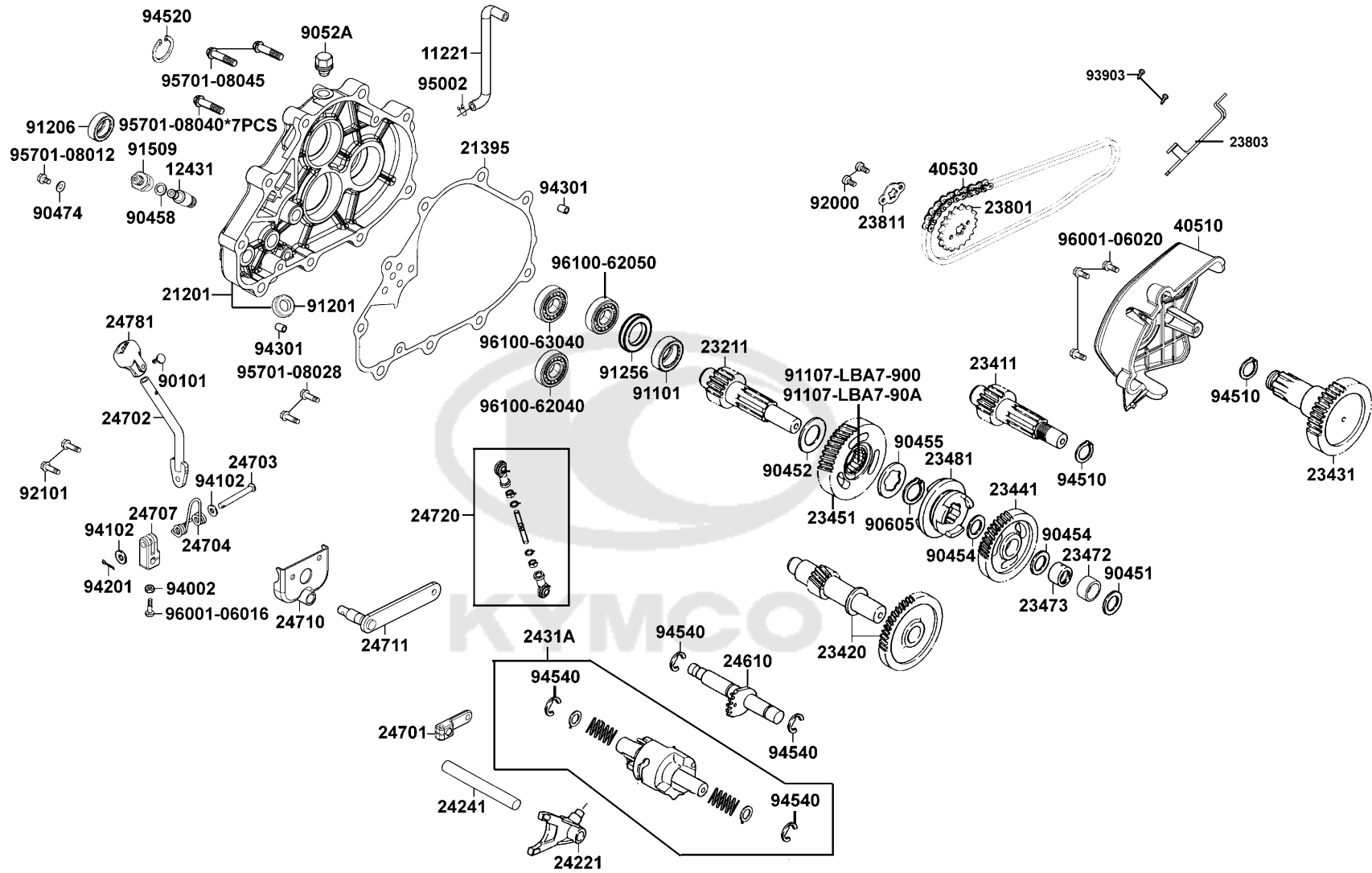
# Transmission



Sales mark	Ref no	Part no	Description	Reg description	Regd no	<b>E07</b>
	91101	91101-LCA5-E0B	BRG NEEDLE 30*42*23	BRG NEEDLE 30*42*23	1	
	91107-LBA7-900	91107-LBA7-900	BRG NEEDLE 25*33*16 (NK25/16R)	BRG NEEDLE 25*33*16 (NK25/16R)	1	
	91107-LBA7-90A	91107-LBA7-90A	BRG NEEDLE 25*33*16	BRG NEEDLE 25*33*16	1	
	91201	91201-9A51-004	OIL SEAL 12*18*3	OIL SEAL 12*18*3	1	
	91206	91206-2F86-014	OIL SEAL 14*28*7	OIL SEAL 14*28*7	1	
	91256	91256-LLB1-900	OIL SEAL 24.8*52.2*7	OIL SEAL 24.8*52.2*7	1	
	91509	91509-LBA7-E00	BOLT TACHOMETER	BOLT TACHOMETER	1	
#	92000	92000-06010-0G	BOLT HEX 6*10 (G)	BOLT HEX 6*10 (G)	1	
#	92101	92101-06020-0G	BOLT HEX 6*20	BOLT HEX 6*20	1	
	93903	93903-35360	SCREW TAPPING 5*16	SCREW TAPPING 5*16	2	
	94002	94002-06080-0S	NUT HEX 6MM	NUT HEX 6MM	1	
	94102	94102-08000	WASHER PLAIN 8MM	WASHER PLAIN 8MM	2	
	94201	94201-20150	PIN SPLIT 2*15	PIN SPLIT 2*15	1	
	94301	94301-10160	DOWEL PIN 10*16	DOWEL PIN 10*16	2	
	94510	94510-25000	CIR CLIP EXTERNAL 25	CIR CLIP EXTERNAL 25	2	
	94520	94520-52000	CIR CLIP IN 52	CIR CLIP IN 52	1	
	94540	94540-12028	E RING 12	E RING 12	4	
	95002	95002-02150	CLIP B14.5 TUBE	CLIP B14.5 TUBE	1	
#	95701-08012	95701-08012-06	BOLT FLANGE 8*12	BOLT FLANGE 8*12	1	
	95701-08028	95701-08028-06	BOLT FLANGE 8*28	BOLT FLANGE 8*28	2	

E07

# Transmission



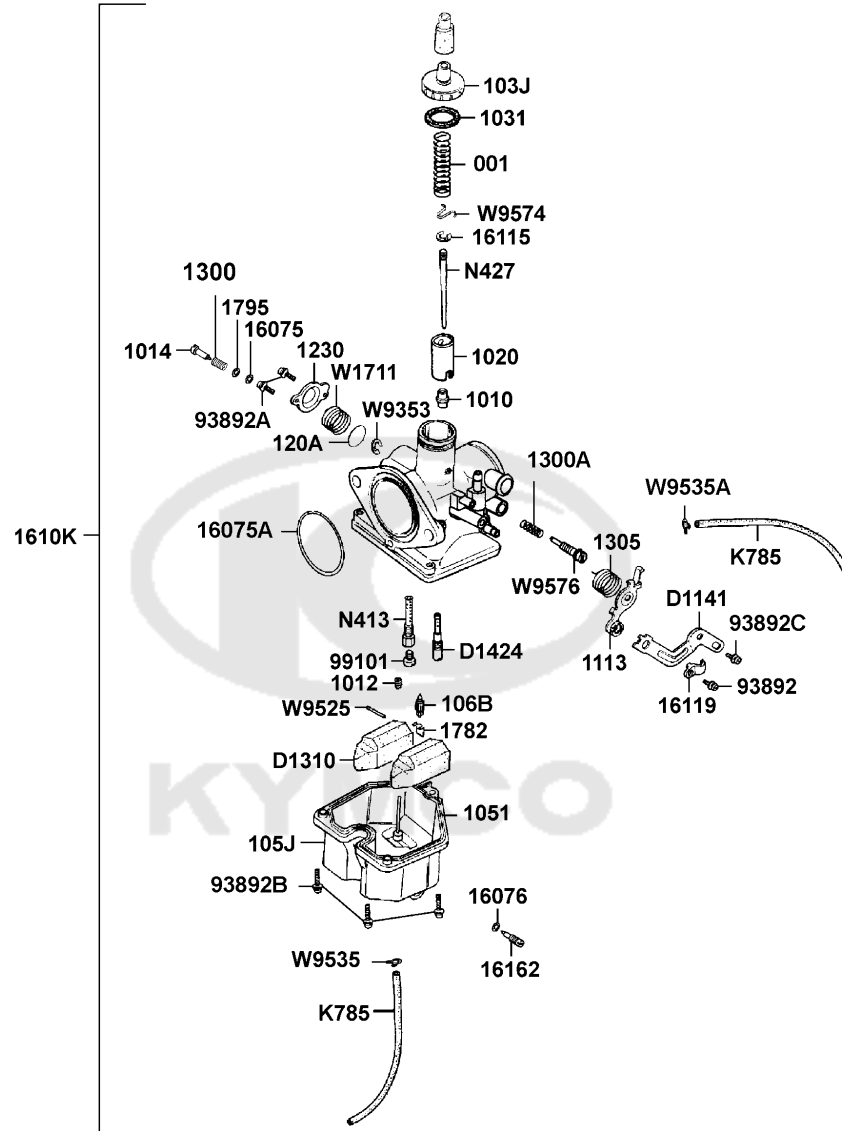


Sales mark	Ref no	Part no	Description	Reg description	Regd no	<b>E07</b>
#	95701-08040	95701-08040-06	BOLT FLANGE 8x40 (G)	BOLT FLANGE 8x40 (G)	1	
#	95701-08045	95701-08045-06	BOLT FLANGE 6*45	BOLT FLANGE 6*45	1	
#	96001-06016	96001-06016-06	BOLT FLANGE SH 6*16	BOLT FLANGE SH 6*16	1	
#	96001-06020	96001-06020-06	BOLT FLANGE SH 6*20	BOLT FLANGE SH 6*20	1	
	96100-62040	96100-62040-00	BEARING BALL RADIAL 6204	BEARING BALL RADIAL 6204	1	
	96100-62050	96100-62050-00	BEARING BALL RADIAL 6205	BEARING BALL RADIAL 6205	1	
	96100-63040	96100-63040-00	BRG BALL RADIAL 6304	BRG BALL RADIAL 6304	1	

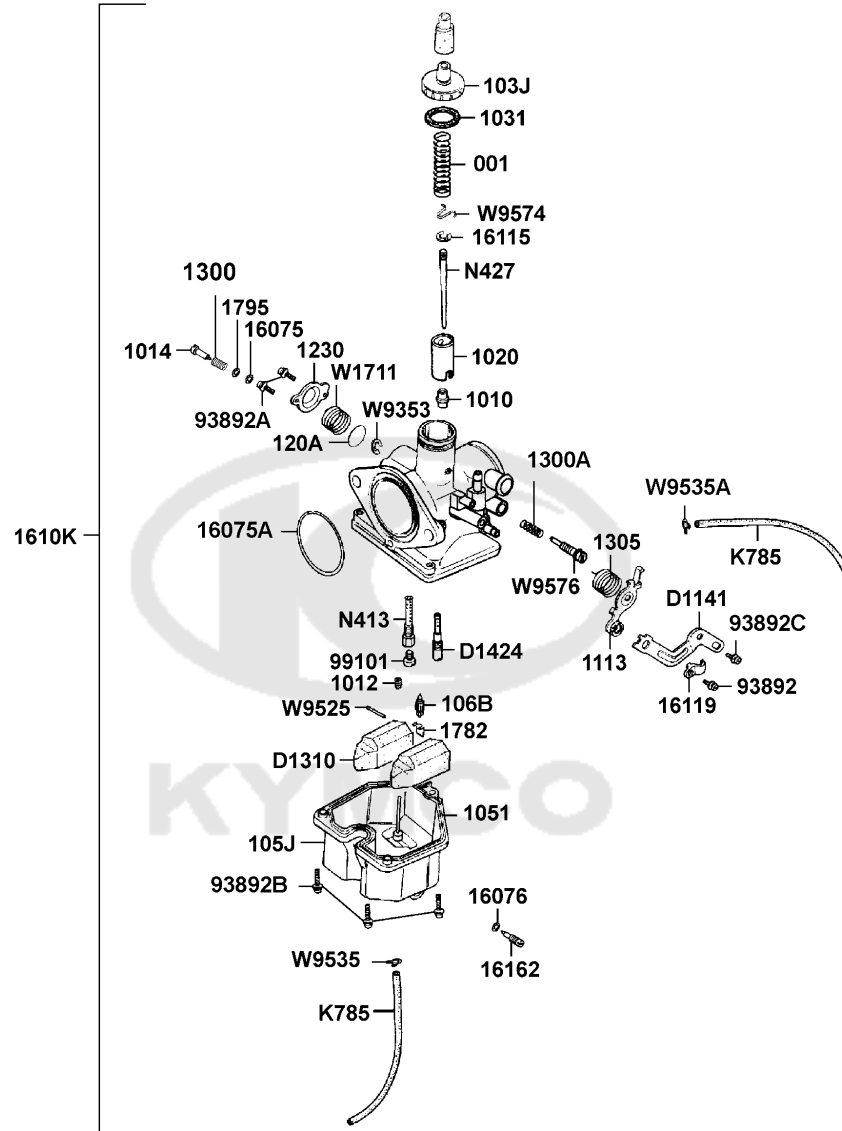


E08

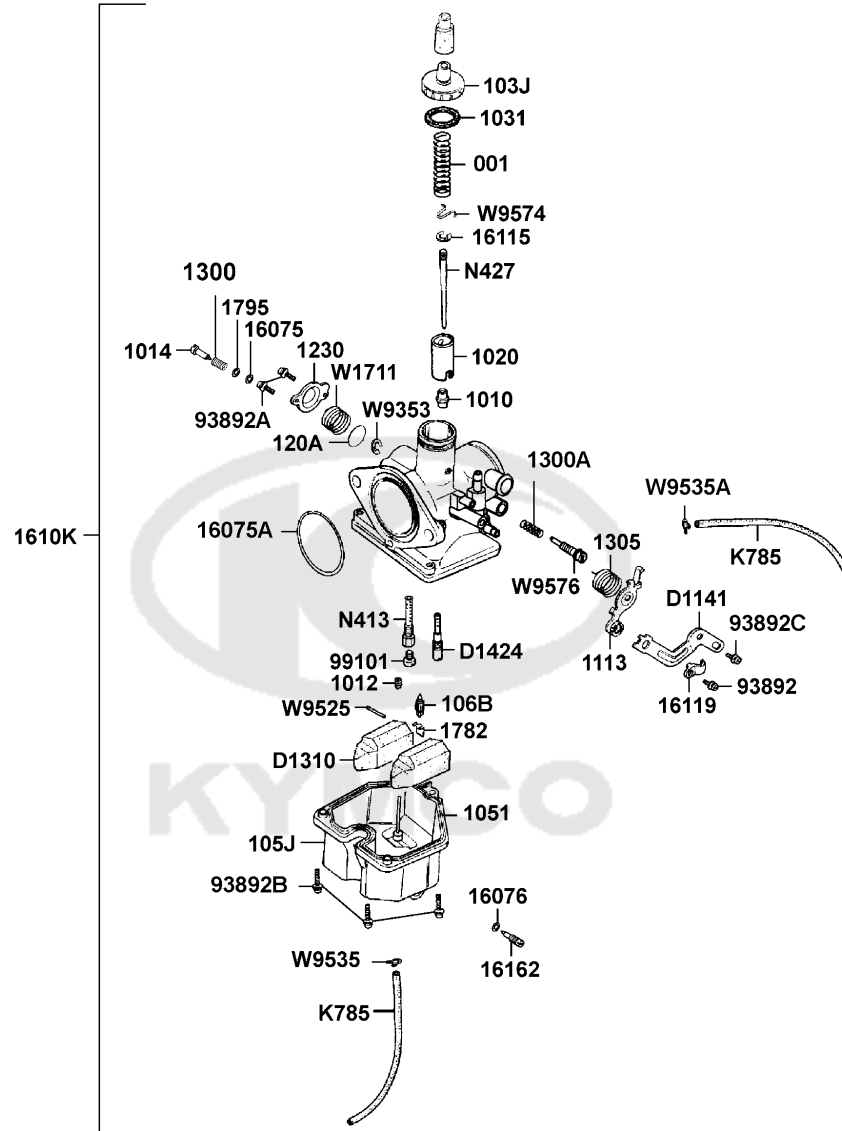
Carburetor



Sales mark	Ref no	Part no	Description	Reg description	Regd no	<b>E08</b>
	001	001-C4T2-04000-K	SPG COMPR	SPG COMPR	1	
	1010	1010-43FH-9900	NEEDLE JET	NEEDLE JET	1	
	1012	1012-382H-0140	JET HOLDER	JET HOLDER	1	
	1014	1014-840-2000	ADJUST SCREW	ADJUST SCREW	1	
	1020	1020-54D0-9900	THROTTLE VALVE	THROTTLE VALVE	1	
	1031	1031-KN4H-6511	TOP GASKET	TOP GASKET	1	
	103J	103J-061H-9901	TOP COMP	TOP COMP	1	
	1051	1051-KCSH-9200	FLOAT CHAMBER GASKET	FLOAT CHAMBER GASKET	1	
	105J	105J-092H-9911	F.C.B COMP	F.C.B COMP	1	
#	106B	106B-KPS0-0003	FLOAT VALVE COMP	FLOAT VALVE COMP	1	
	1113	1113-HB7H-6710	CHOKE LEVER	CHOKE LEVER	1	
	120A	120A-106H-9901	DIAPHRAGM COMP	DIAPHRAGM COMP	1	
	1230	1230-846-2000	DIAPHRAGM COVER	DIAPHRAGM COVER	1	
	1300	1300-KG8H-9010	COMPR SPG	COMPR SPG	1	
	1300A	1300-KG8H-Q010	COMPR SPG	COMPR SPG	1	
	1305	1305-491H-9901	TORSION SPG	TORSION SPG	1	
	16075	16075-KG8-9010-M1	O-RING	O-RING	1	
	16075A	16075-PC3-7810-M1	O-RING	O-RING	1	
	16076	16076-ND5-0040	O RING	O RING	1	
	1610K	1610K-LDE9-900	CARBURETOR ASSY	CARBURETOR ASSY	1	



Sales mark	Ref no	Part no	Description	Reg description	Regd no	E08
	16115	16115-169-0040	BAR CLIP	BAR CLIP	1	
	16119	16119-MZ2-6000-K2	STAY PLATE	STAY PLATE	1	
	16162	16162-KG8-9010-M1	DRAIN SCREW PAN	DRAIN SCREW PAN	1	
	1782	1782-013H-9900	SPECIAL CLIP	SPECIAL CLIP	1	
#	1795	1795-KG8H-9011-3	WASHER PLAIN	WASHER PLAIN	1	
#	93892	93892-04008-16	SCREW WASHER 4*8	SCREW WASHER 4*8	1	
	93892A	93892-04010-18-3	SCREW WASHER 4*10	SCREW WASHER 4*10	1	
	93892B	93892-04016-18-3	SCREW WASHER	SCREW WASHER	1	
#	93892C	93892-05012-06	SCREW WASHER 5*12	SCREW WASHER 5*12	1	
	99101	99101-393-0980	MAIN JET	MAIN JET	1	
	D1141	D1141-A63-0100	WIRE STAY	WIRE STAY	1	
	D1310	D1310-850-0100	FLOAT COMP	FLOAT COMP	1	
	D1424	D1424-KAG-0100	JET	JET	1	
	K785	K785-076-0200	TUBE	TUBE	2	
	N413	N413-15A00	NEEDLE JET HOLDER	NEEDLE JET HOLDER	1	
	N427	N427-BSD00	JET NEEDLE	JET NEEDLE	1	
	W1711	W1711-300-9901	COMPR SPG	COMPR SPG	1	
	W9353	W9353-30000	U-RING	U-RING	1	
	W9525	W9525-25250	ARM PIN	ARM PIN	1	
	W9535	W9535-25000	TUBE CLIP	TUBE CLIP	1	



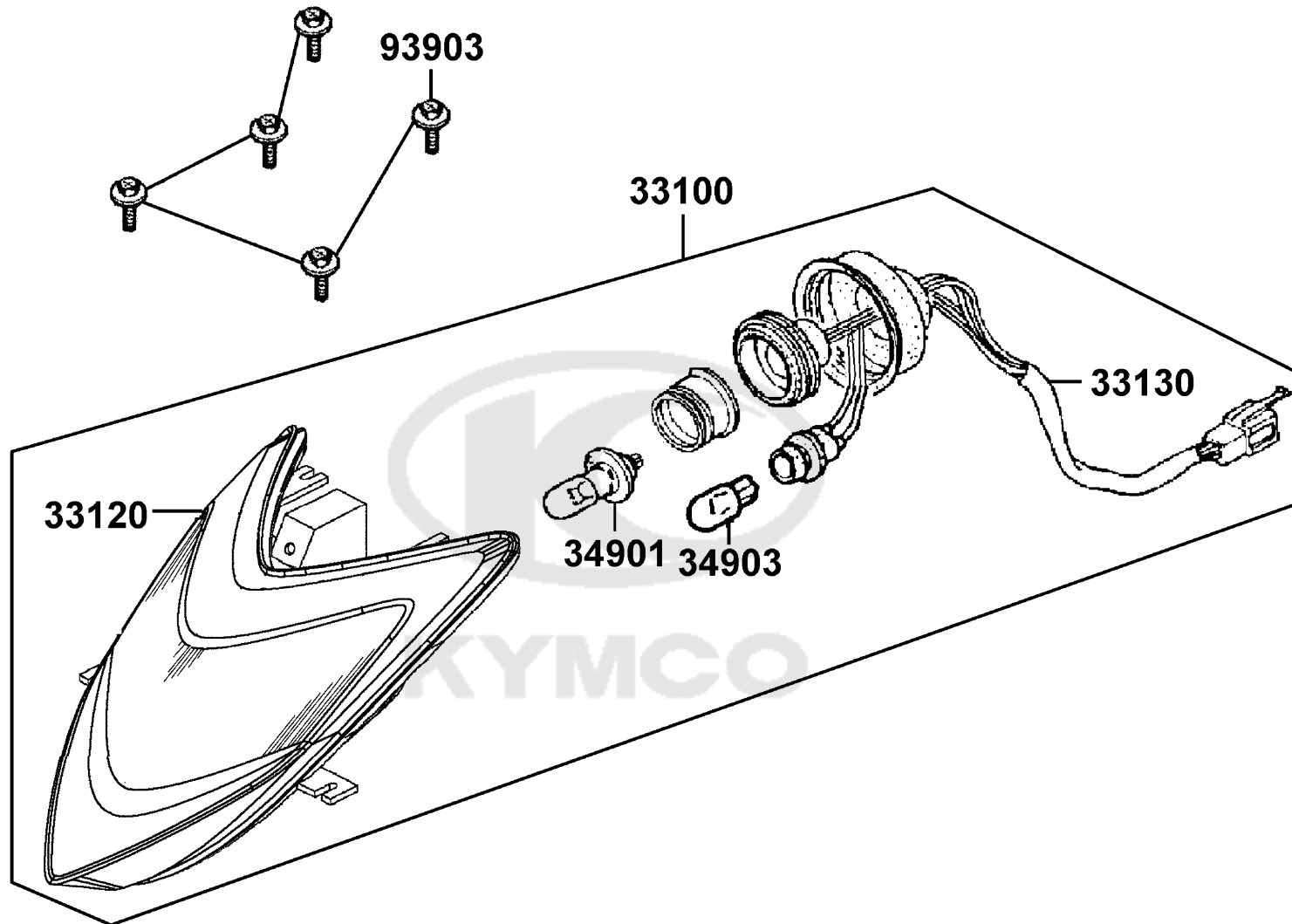
Sales mark	Ref no	Part no	Description	Reg description	Regd no	<b>E08</b>
------------	--------	---------	-------------	-----------------	---------	------------

W9535A		W9535-35000	CLIP	CLIP	1	
W9574		W9574-13000	NEEDLE CLIP PLATE	NEEDLE CLIP PLATE	1	
W9576		W9576-01000	STOP SCREW	STOP SCREW	1	



F01

Head Light



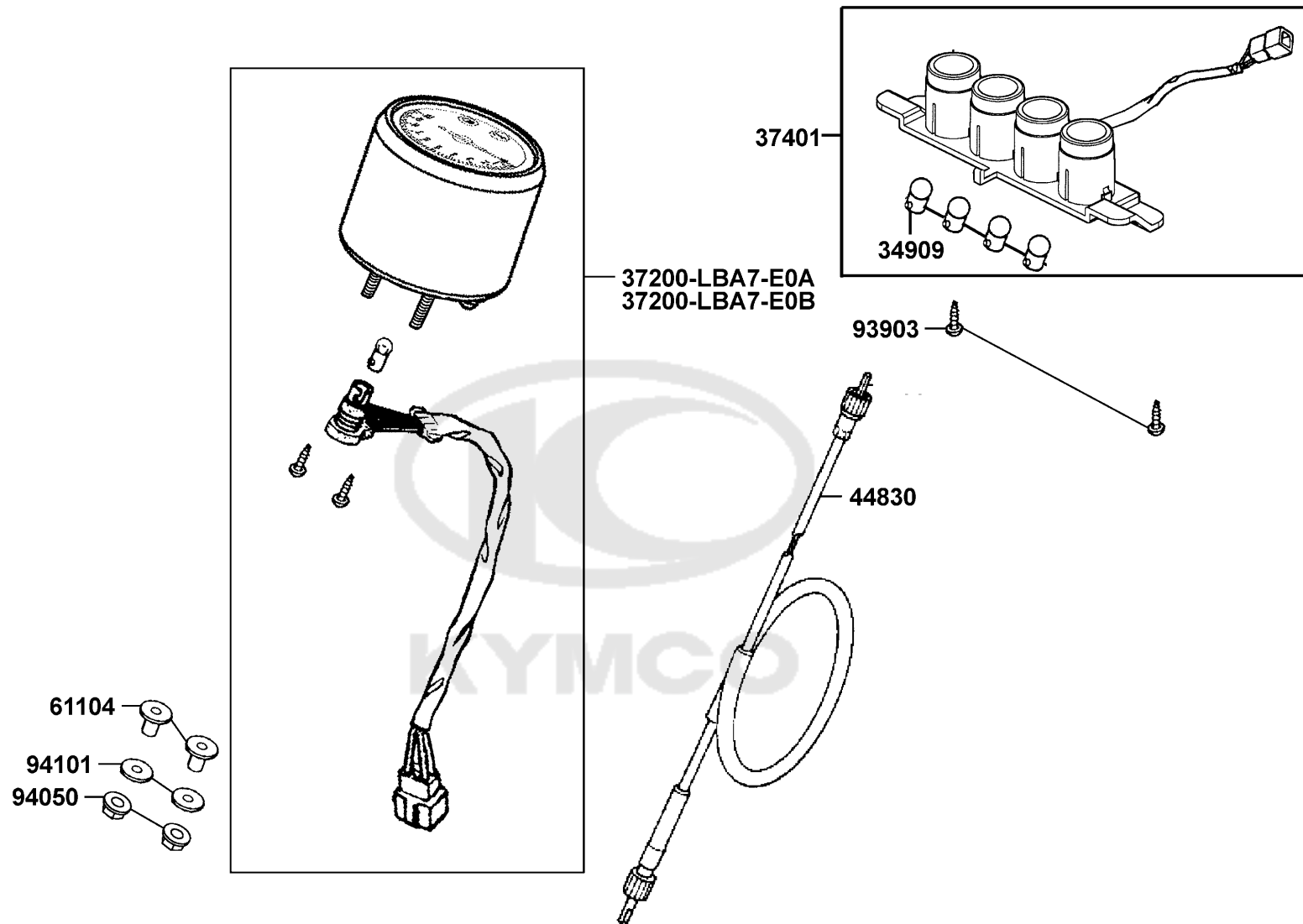


Sales mark	Ref no	Part no	Description	Reg description	Regd no	<b>F01</b>
	33100	33100-LDF3-E00	LIGHT ASSY HEAD	LIGHT ASSY HEAD	1	
	33120	33120-LDF3-E00	UNIT HEAD LIGHT	UNIT HEAD LIGHT	1	
	33130	33130-LDF3-E00	SOCKET COMP	SOCKET COMP	1	
	34901	34901-KFA6-900	BULB HEAD LIGHT	BULB HEAD LIGHT	1	
	34903	34903-KPCP-900	BULB POSITION	BULB POSITION	1	
	93903	93903-35360	SCREW TAPPING 5*16	SCREW TAPPING 5*16	5	



F02

# Speedometer

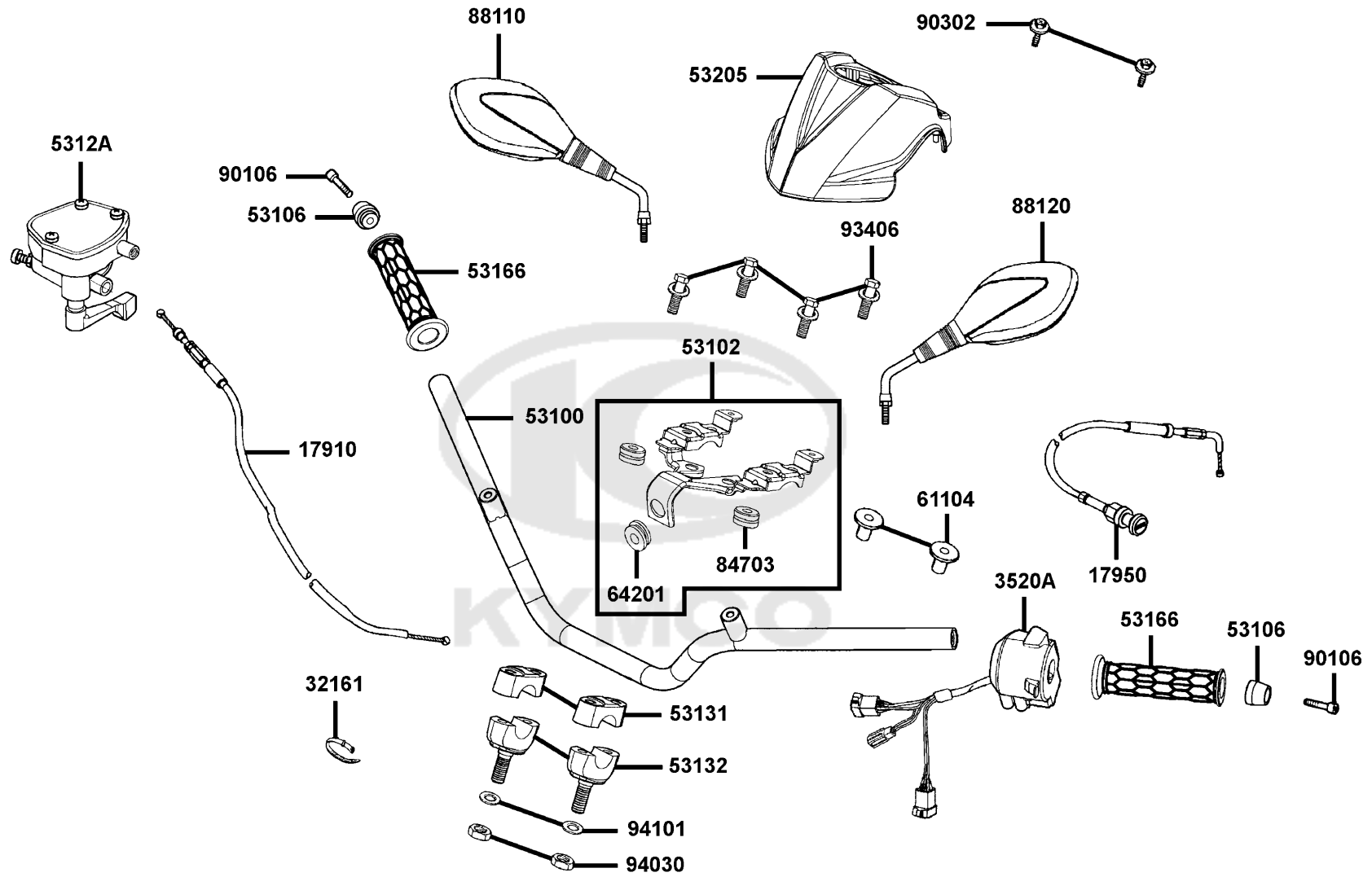


Sales mark	Ref no	Part no	Description	Reg description	Regd no	F02
	34909	34909-LLB1-E00	BULB PILOT	BULB PILOT	4	
	37200-LBA7-E0A	37200-LBA7-E0A	METER ASSY SPEED	METER ASSY SPEED	1	
	37200-LBA7-E0B	37200-LBA7-E0B	METER ASSY SPEED	METER ASSY SPEED	1	
	37401	37401-LBA7-900	PILOT LAMP COMP	PILOT LAMP COMP	1	
	44830	44830-LBA7-E00	CABLE COMP SPOMT	CABLE COMP SPOMT	1	
	61104	61104-3G57-001	COLLAR FR FENDER	COLLAR FR FENDER	2	
	93903	93903-35360	SCREW TAPPING 5*16	SCREW TAPPING 5*16	2	
#	94050	94050-06060	NUT FLANGE 6MM	NUT FLANGE 6MM	2	
	94101	94101-06800	WASHER PLAIN 6MM	WASHER PLAIN 6MM	2	



F03

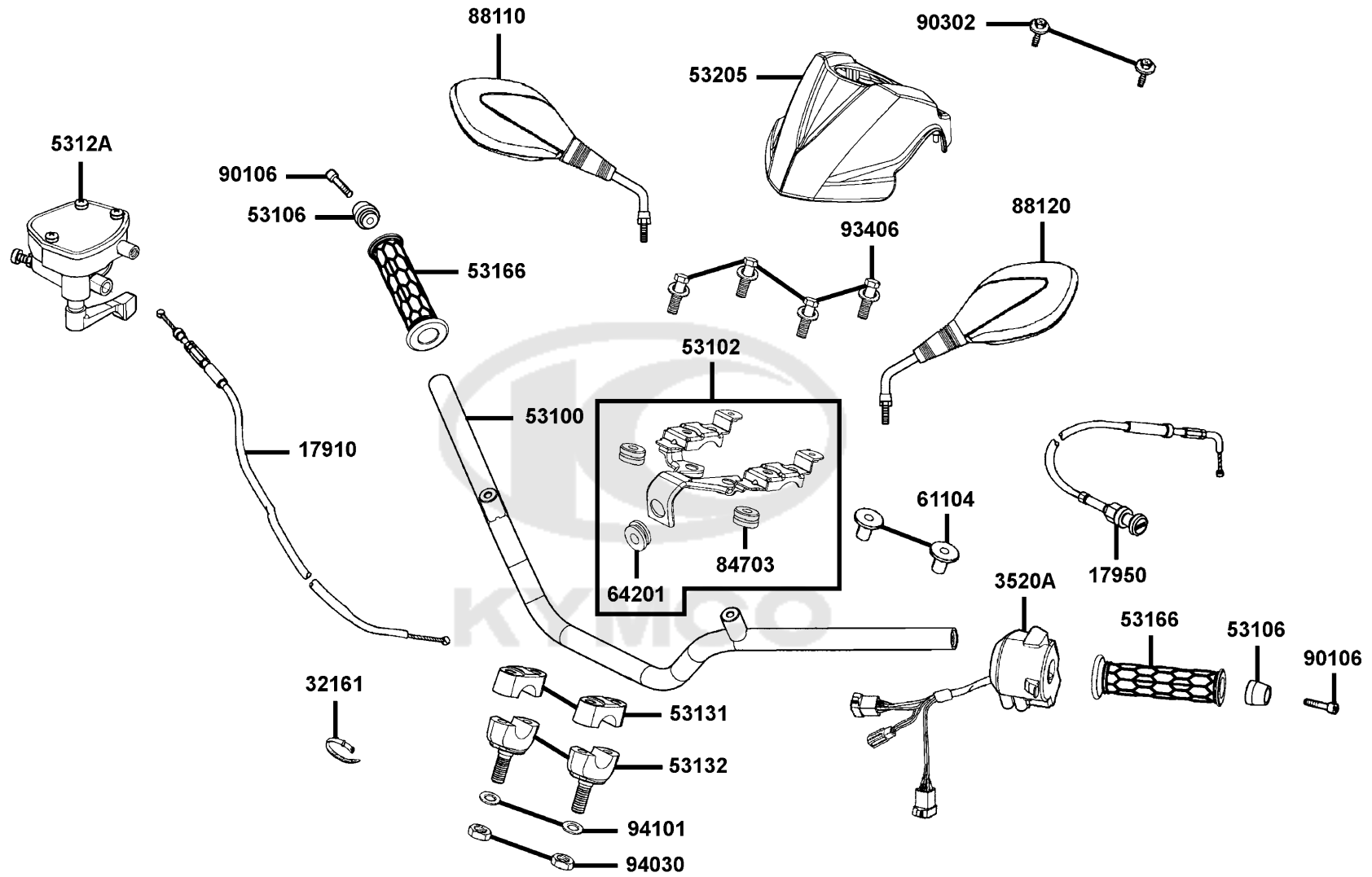
# Handle SteeringHandle Cover



Sales mark	Ref no	Part no	Description	Reg description	Regd no	F03
	17910	17910-LBA7-900	CABLE COMP THROT	CABLE COMP THROT	1	
	17950	17950-LBA7-900	CABLE COMP CHOKE	CABLE COMP CHOKE	1	
	32161	32161-4D04-001	BAND BI WIRE	BAND BI WIRE	1	
	3520A	3520A-LDF3-E00	SW ASSY LH HANDLE COMP	SW ASSY LH HANDLE COMP	1	
**	53100	53100-LDF3-E00	HANDLE PIPE STRG	HANDLE PIPE STRG	1	
	53102	53102-LDF3-E00	STAY HANDLE COVER	STAY HANDLE COVER	2	
	53106	53106-KFC8-900	END L STRG HANDLE	END L STRG HANDLE	2	
	5312A	5312A-LBA7-900	LEVER ASSY THROT	LEVER ASSY THROT	1	
	53131	53131-4K39-001	HOLDER HANDLE PIPE	HOLDER HANDLE PIPE	2	
	53132	53132-LLB1-900	HOLDER UNDER HANDLE PIPE	HOLDER UNDER HANDLE PIPE	2	
	53166	53166-PTA7-900	GRIP HANDLE	GRIP HANDLE	2	
**	53205	53205-LDF3-E00	COVER HANDLE	COVER HANDLE	1	
	61104	61104-3G57-001	COLLAR FR FENDER	COLLAR FR FENDER	2	
	64201	64201-KHE1-B50	RUBBER FR COVER	RUBBER FR COVER	1	
	84703	84703-LLB1-900	RUBBER TAIL LIGHT	RUBBER TAIL LIGHT	2	
# **	88110	88110-LDF3-E01	MIRROR ASSY R BACK	MIRROR ASSY R BACK	1	
# **	88120	88120-LDF3-E01	MIRROR ASSY L BACK	MIRROR ASSY L BACK	1	
	90106	90106-KFC2-900	BOLT SPECIAL 8MM	BOLT SPECIAL 8MM	2	
	90302	90302-GFY6-901	BOLT WASH 5*12	BOLT WASH 5*12	2	
	93406	93406-LLB1-900	BOLT-WASHER 8*35	BOLT-WASHER 8*35	4	

F03

# Handle SteeringHandle Cover



Sales mark	Ref no	Part no	Description	Reg description	Regd no	<b>F03</b>
------------	--------	---------	-------------	-----------------	---------	------------

	94030	94030-10080	NUT HEX 10MM	NUT HEX 10MM	2	
	94101	94101-10800	WASHER PLAIN 10MM	WASHER PLAIN 10MM	2	







Sales mark	Ref no	Part no	Description	Reg description	Regd no	<b>F04</b>
35340		35340-LBA7-900	SW ASSY FR STOP	SW ASSY FR STOP	1	
35350		35350-KNBN-901	SW ASSY RR STOP	SW ASSY RR STOP	1	
43125		43125-LBA7-E00	HOSE COMP RR BRK	HOSE COMP RR BRK	1	
43127		43127-LBA7-E00	HOSE COMP RR BRK	HOSE COMP RR BRK	1	
43128		43128-LBA7-900	CLAMPER RR BRAKE HOSE	CLAMPER RR BRAKE HOSE	1	
43450		43450-LEC1-E00	CABLE PARKING BRAKE	CABLE PARKING BRAKE	1	
43530		43530-KKC4-305	CYLINDER SET RR MASTER	CYLINDER SET RR MASTER	1	
45125		45125-LDF3-E00	HOSE COMP FR BRK	HOSE COMP FR BRK	1	
45127		45127-LDF3-900	HOSE ASSY RR BRK	HOSE ASSY RR BRK	1	
45128		45128-LBA7-900	HOSE ASSY FR(C/P R) BRK	HOSE ASSY FR(C/P R) BRK	1	
45129		45129-LBA7-900	HOSE ASSY FR(C/P L) BRK	HOSE ASSY FR(C/P L) BRK	1	
45130		45130-LBA7-E00	HOSE ASSY C/P L FR BRK	HOSE ASSY C/P L FR BRK	1	
45132		45132-LBA7-900	CLAMPER FR BRAKE HOSE	CLAMPER FR BRAKE HOSE	2	
45513		45513-KKC4-900	CAP M/C	CAP M/C	2	
45517		45517-KFAF-910	HOLDER M/C	HOLDER M/C	2	
45517A		45517-LDE9-E00	HOLDER	HOLDER	1	
45520		45520-KKC4-900	DIAPHRAGM	DIAPHRAGM	2	
45525		45525-LBA7-900	STOPPER	STOPPER	1	
45526		45526-LBA7-900	SPRING	SPRING	1	
45527		45527-LBA7-900	PIN PARK	PIN PARK	1	



Sales mark	Ref no	Part no	Description	Reg description	Regd no	<b>F04</b>
	45530	45530-LBA7-305	CYLINDER SET FR	CYLINDER SET FR	1	
	45535	45535-LBA7-900	STOPPER OIL BOLT	STOPPER OIL BOLT	1	
#	53175	53175-LBA7-305	LEVER SET BRK	LEVER SET BRK	1	
**	53178	53178-KFC8-E10	LEVER L STRG HNDL	LEVER L STRG HNDL	1	
	53190	53190-LDE9-E00	LEVER	LEVER	1	
	53192	53192-LDE9-E00	BRACKET	BRACKET	1	
	53193	53193-LDE9-E00	STOPPER	STOPPER	1	
	53194	53194-LDE9-E00	PIVOT	PIVOT	2	
	90114	90114-1F66-007	BOLT HANDLE LEVER	BOLT HANDLE LEVER	2	
	90145	90145-MKS9-61A-06	OIL BOLT 10*22	OIL BOLT 10*22	7	
	90501	90501-3L10-001	WASHER 7*12	WASHER 7*12	1	
	90545	90545-3L00-001	WASHER OIL BOLT	WASHER OIL BOLT	14	
	90656	90656-KCBC-900	BAND OIL HANDLE	BAND OIL HANDLE	2	
	93600	93600-04012-1A	SCREW FLAT 4*12	SCREW FLAT 4*12	2	
	93600A	93600-04012-1G	SCREW FLAT 4*12	SCREW FLAT 4*12	2	
	93600B	93600-LDE9-E00	SCREW FLAT M6	SCREW FLAT M6	2	
	93893	93893-04012-18	SCREW WASHER 4*12	SCREW WASHER 4*12	1	
#	94050	94050-06060	NUT FLANGE 6MM	NUT FLANGE 6MM	2	
#	95701	95701-06012-06	BOLT FLANGE 6*12	BOLT FLANGE 6*12	3	
#	95701A	95701-06016-06	BOLT FLANGE 6*16 (K)	BOLT FLANGE 6*16 (K)	1	



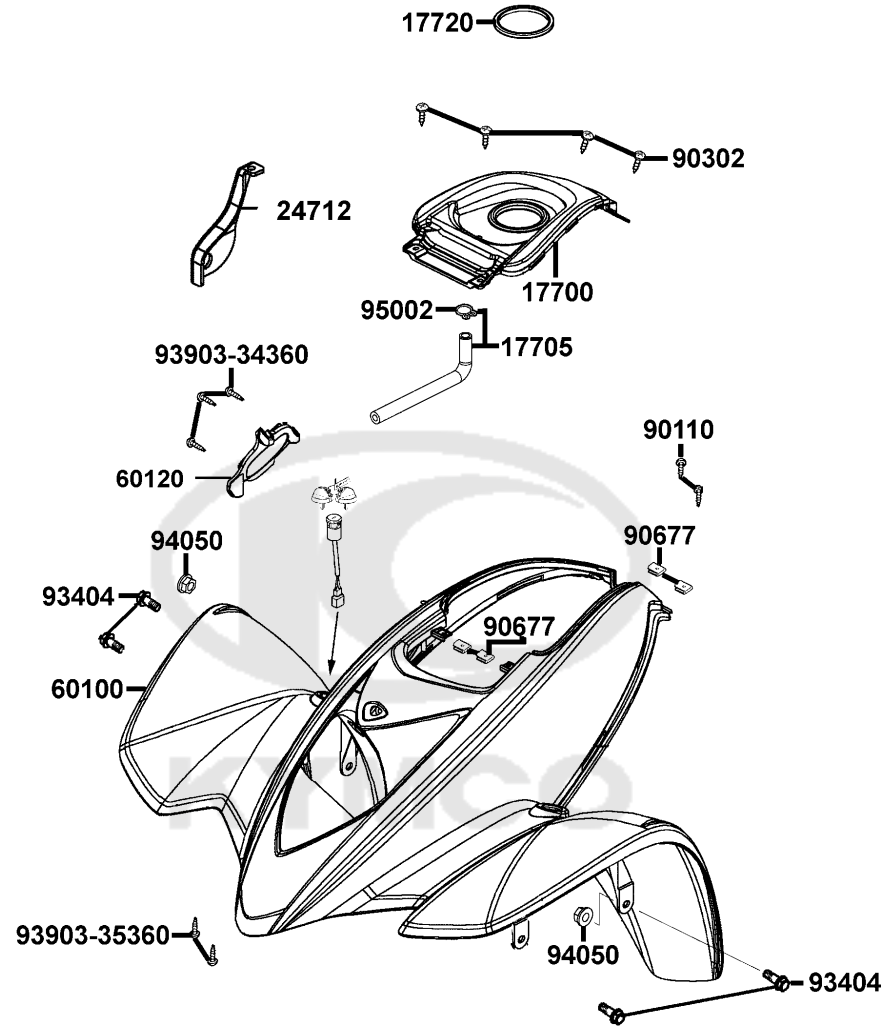
Sales mark	Ref no	Part no	Description	Reg description	Regd no	<b>F04</b>
------------	--------	---------	-------------	-----------------	---------	------------

	95701B	95701-06022-06	BOLT FLANGE 6*22	BOLT FLANGE 6*22	4	
	95801	95801-08035-06	BOLT FLANGE 8*35	BOLT FLANGE 8*35	1	

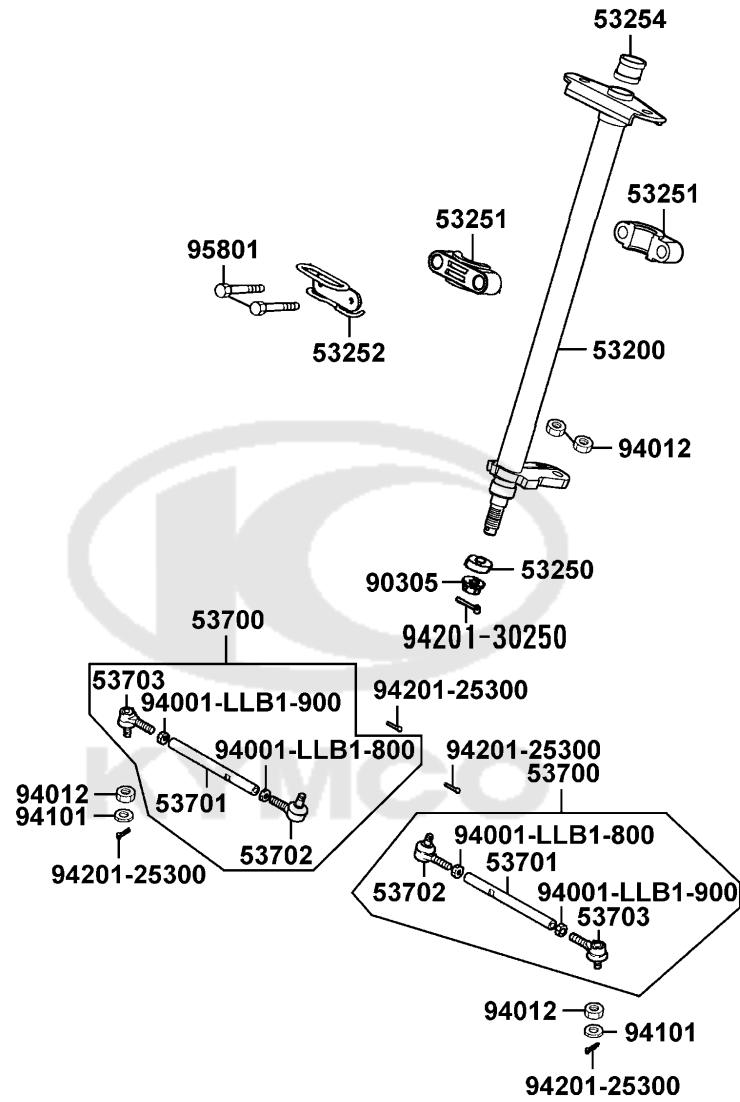


F05

Front Cover Fender Front



Sales mark	Ref no	Part no	Description	Reg description	Regd no	F05
**	17700	17700-LBA7-900	COVER TANK	COVER TANK	1	
	17705	17705-LBA7-900	TUBE ASSY FUEL DRAIN	TUBE ASSY FUEL DRAIN	1	
	17720	17720-LBA7-900	TRAY TANK COVER	TRAY TANK COVER	1	
	24712	24712-LBA7-900	SYAY GUIDE COVER	SYAY GUIDE COVER	1	
**	60100	60100-LDF3-E01	FENDER FRONT	FENDER FRONT	1	
**	60120	60120-LBA7-900	GUIDE COVER CHANGE HNDL	GUIDE COVER CHANGE HNDL	1	
	90110	90110-LLB1-800	SCREW SPECIAL 6*16	SCREW SPECIAL 6*16	2	
	90302	90302-GFY6-901	BOLT WASH 5*12	BOLT WASH 5*12	4	
	90677	90677-GAR1-004	NUT CLIP 5MM	NUT CLIP 5MM	4	
	93404	93404-06016-06	BOLT WASHER 6*16	BOLT WASHER 6*16	4	
	93903-34360	93903-34360	SCREW TAPPING 4*12 (G)	SCREW TAPPING 4*12 (G)	3	
	93903-35360	93903-35360	SCREW TAPPING 5*16	SCREW TAPPING 5*16	3	
	94050	94050-LDE9-E00	NUT LOCK	NUT LOCK	2	
	95002	95002-02100	CLIP B15 TUBE	CLIP B15 TUBE	1	

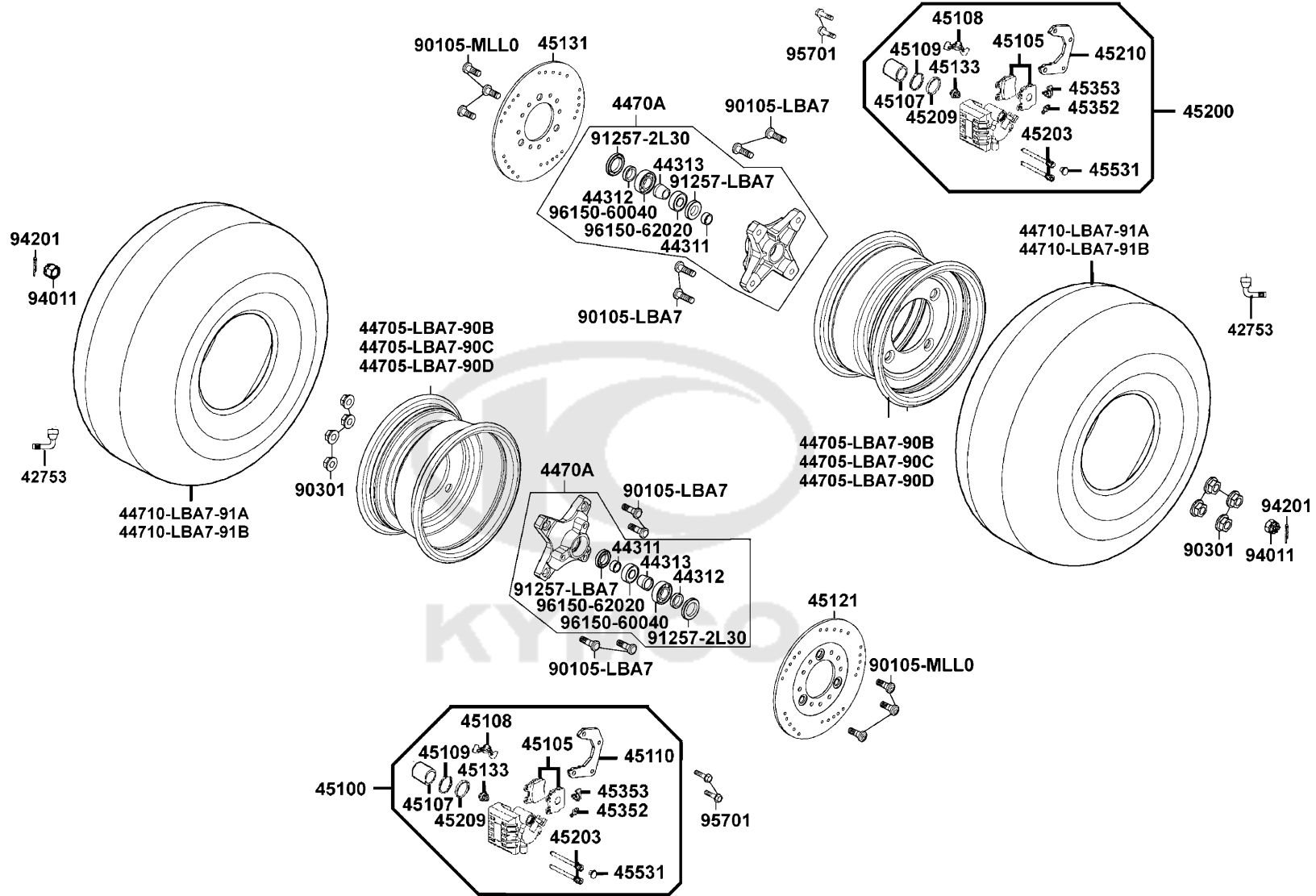




Sales mark	Ref no	Part no	Description	Reg description	Regd no	<b>F06</b>
53200		53200-LBA7-E00	STEM COMP STEERING	STEM COMP STEERING	1	
53250		53250-LBA7-900	COLLAR STEM BOTTOM	COLLAR STEM BOTTOM	1	
53251		53251-LCA5-E00	HOLDER STEM STEERING	HOLDER STEM STEERING	2	
53252		53252-LBA7-900	CLAMPER STEM HOLDER	CLAMPER STEM HOLDER	1	
53254		53254-LBA7-900	SLEEVE STEM	SLEEVE STEM	1	
53700		53700-LCA5-E00	ROD ASSY STEERING	ROD ASSY STEERING	2	
53701		53701-LCA5-E00	ROD COMP STEERING	ROD COMP STEERING	2	
53702		53702-LLB1-900	JOINT R BALL	JOINT R BALL	2	
53703		53703-LLB1-900	JOINT L BALL	JOINT L BALL	2	
90305		90305-MAA1-004-SY	NUT U FLANGE 16MM	NUT U FLANGE 16MM	1	
94001-LLB1-800		94001-LLB1-800	NUT HEX 10MM	NUT HEX 10MM	2	
94001-LLB1-900		94001-LLB1-900	NUT HEX 6 MM	NUT HEX 6 MM	2	
94012		94012-LLB1-900	NUT CASTLE 10MM	NUT CASTLE 10MM	4	
94101		94101-10800	WASHER PLAIN 10MM	WASHER PLAIN 10MM	2	
94201-25300		94201-25300	PIN SPLIT 2.5*30	PIN SPLIT 2.5*30	4	
94201-30250		94201-30250	PIN SPLIT 3*25	PIN SPLIT 3*25	1	
95801		95801-08060-06	BOLT FLANGE 8*60	BOLT FLANGE 8*60	2	

F07

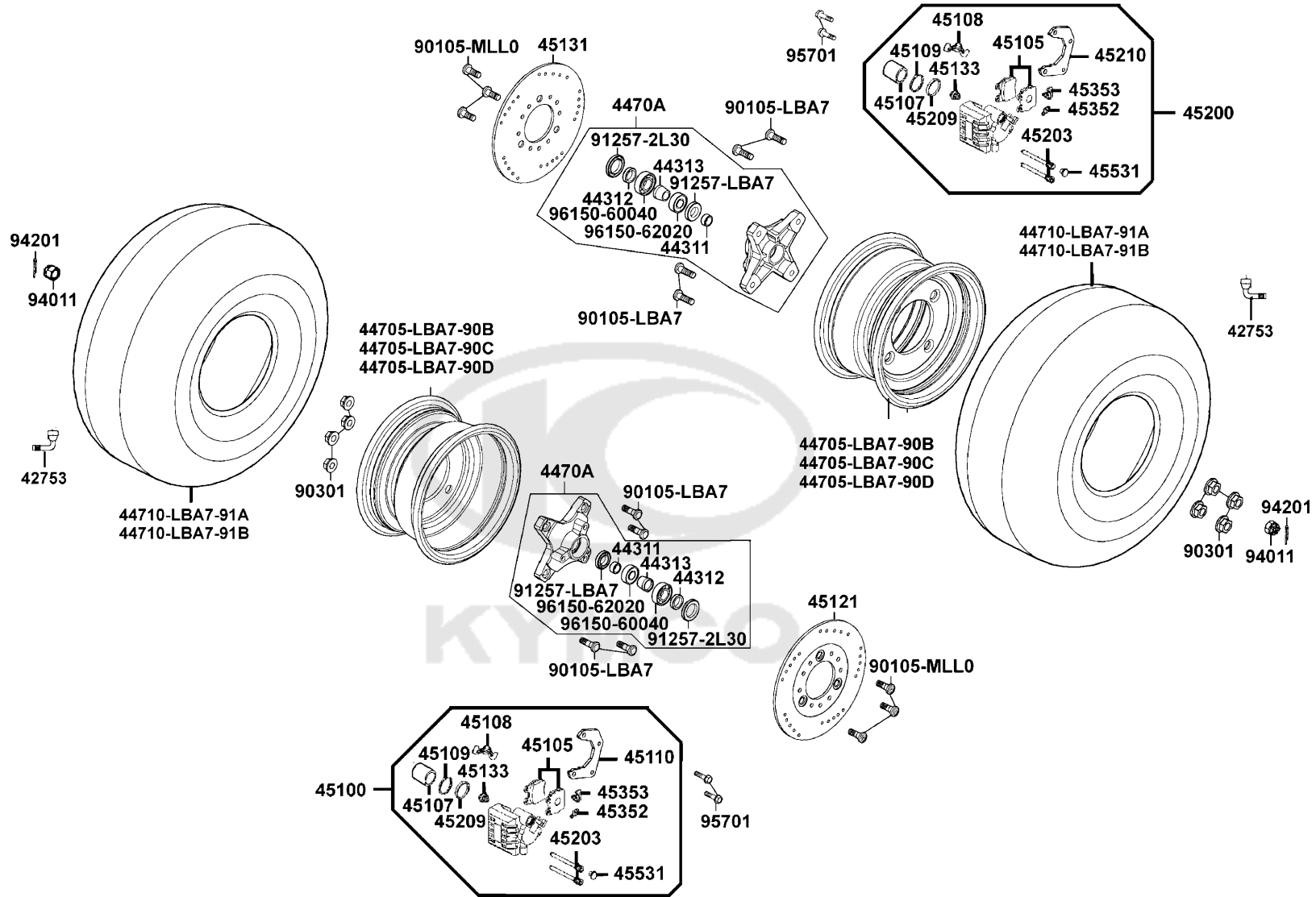
# Front Wheel



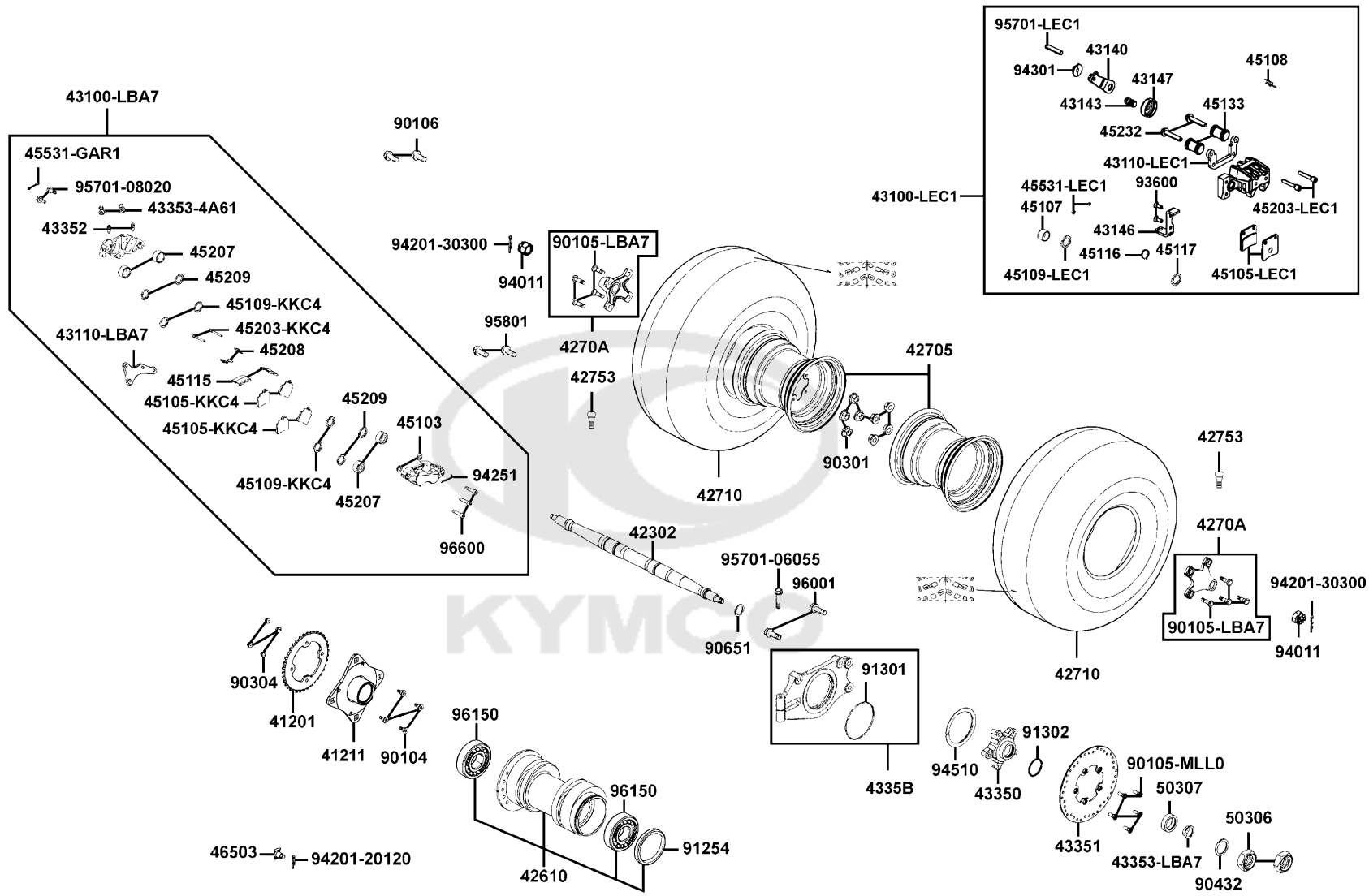
Sales mark	Ref no	Part no	Description	Reg description	Regd no	F07
	42753	42753-KNBN-90B	VALAE RIM (TR412)	VALAE RIM (TR412)	2	
	44311	44311-LBA7-900	COLLAR FR WHEEL SIDE A	COLLAR FR WHEEL SIDE A	2	
	44312	44312-LBA7-900	COLLAR FR WHEEL SIDE B	COLLAR FR WHEEL SIDE B	2	
	44313	44313-LBA7-900	COLLAR FR WHEEL DIST	COLLAR FR WHEEL DIST	2	
**	44705-LBA7-90B	44705-LBA7-90B	RIM COMP FR WHEEL	RIM COMP FR WHEEL	1	
**	44705-LBA7-90C	44705-LBA7-90C	RIM FR WHEEL	RIM FR WHEEL	1	
**	44705-LBA7-90D	44705-LBA7-90D	RIM FR WHEEL	RIM FR WHEEL	1	
	4470A	4470A-LBA7-305	CONNECTOR SET FR	CONNECTOR SET FR	2	
	44710-LBA7-91A	44710-LBA7-91A	TIRE ASSY FR AT21*7-10 4P TL /KENDA	TIRE ASSY FR AT21*7-10 4P TL /KENDA	2	
	44710-LBA7-91B	44710-LBA7-91B	TIRE ASSY FR AT21*7-10 4PR /MAXXIS	TIRE ASSY FR AT21*7-10 4PR /MAXXIS	2	
**	45100	45100-LBA7-900	CALIPER ASSY FR R	CALIPER ASSY FR R	1	
	45105	45105-LBA7-305	PAD SET	PAD SET	2	
#	45107	45107-KFA6-900	PISTON	PISTON	1	
	45108	45108-LBA7-900	SPRING PAD	SPRING PAD	2	
#	45109	45109-KFA6-900	DUST SEAL	DUST SEAL	1	
	45110	45110-LBA7-305	BRACKET R	BRACKET R	1	
#	45121	45121-PRB3-900	DISK FR BRK R	DISK FR BRK R	2	
#	45131	45131-PRB3-900	DISK FR BRK L	DISK FR BRK L	1	
	45133	45133-LBA7-900	BOOT A	BOOT A	2	
**	45200	45200-LBA7-900	CALIPER ASSY FR L	CALIPER ASSY FR L	1	

F07

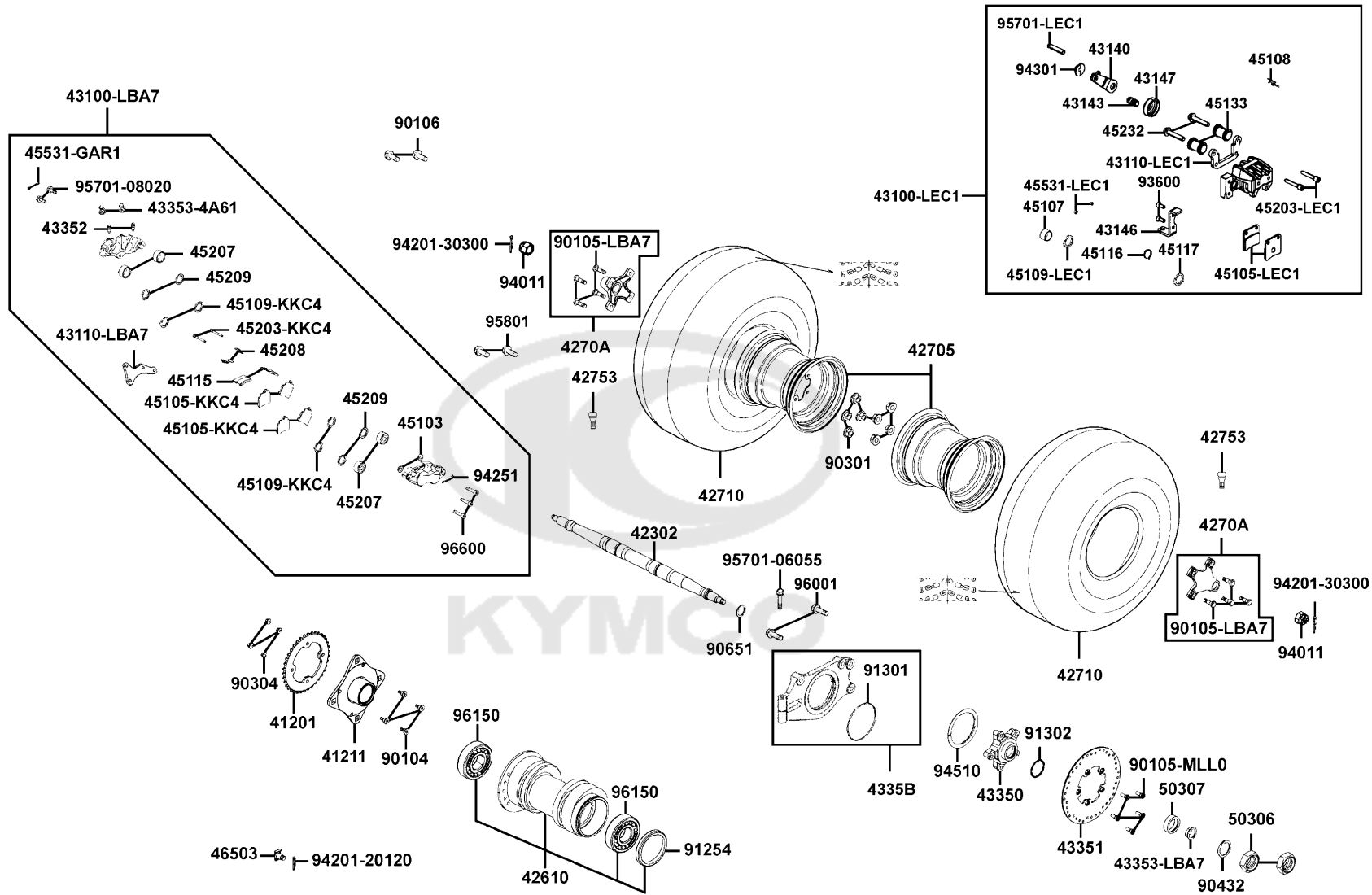
Front Wheel



Sales mark	Ref no	Part no	Description	Reg description	Regd no	<b>F07</b>
	45203	45203-LBA7-900	PIN HANGER	PIN HANGER	4	
#	45209	45209-KFA6-900	SEAL PISTON	SEAL PISTON	1	
	45210	45210-LBA7-305	BRACKET L	BRACKET L	1	
	45352	45352-LBA7-900	BLEEDER	BLEEDER	2	
	45353	45353-LBA7-900	CAP BLEEDER	CAP BLEEDER	2	
	45531	45531-LBA7-900	PLUG	PLUG	2	
	90105-LBA7	90105-LBA7-900	BOLT CONNECTOR	BOLT CONNECTOR	8	
	90105-MLL0	90105-MLL0-731	BOLT STEP HOLDER 8*24	BOLT STEP HOLDER 8*24	6	
	90301	90301-LBA7-900	NUT WHEEL 10*14	NUT WHEEL 10*14	8	
	91257-2L30	91257-2L30-006	OIL SEAL 28*42*7	OIL SEAL 28*42*7	2	
	91257-LBA7	91257-LBA7-900	OIL SEAL 20*35*7	OIL SEAL 20*35*7	2	
	94011	94011-LLB1-900	NUT FLANGE CASTLE 14MM	NUT FLANGE CASTLE 14MM	2	
	94201	94201-30300	PIN SPLIT 3*30	PIN SPLIT 3*30	2	
#	95701	95701-08020-06	BOLT FLANGE 8*20	BOLT FLANGE 8*20	1	
	96150-60040	96150-60040-10	BEARING BALL RADIAL 6004	BEARING BALL RADIAL 6004	2	
	96150-62020	96150-62020-10	BEARING BALL RADIAL 6202	BEARING BALL RADIAL 6202	2	



Sales mark	Ref no	Part no	Description	Reg description	Regd no	F08
	41201	41201-LBA7-900	SPRKT FINAL DRIVEN	SPRKT FINAL DRIVEN	1	
#	41211	41211-LDF3-E00	HOLDER SPROCKET	HOLDER SPROCKET	1	
#	41211	41211-LKC2-E00	HUB COMP SPROCKET	HUB COMP SPROCKET	1	
	42302	42302-LDF3-E00	AXLE SHAFT RR	AXLE SHAFT RR	1	
# **	42610	42610-LBA7-900	HUB ASSY REAR	HUB ASSY REAR	1	
# **	42610	42610-LKC2-E00	HUB ASSY REAR	HUB ASSY REAR	1	
**	42705	42705-LBA7-90C	RIM RR WHEEL	RIM RR WHEEL	1	
**	42705	42705-LBA7-90D	RIM RR WHEEL	RIM RR WHEEL	1	
	4270A	4270A-LBA7-900	CONNECTOR ASSY RR	CONNECTOR ASSY RR	1	
	42710	42710-LBA7-91A	TIRE ASSY RR AT20*11-9 6PTL /KENDA	TIRE ASSY RR AT20*11-9 6PTL /KENDA	2	
	42710	42710-LBA7-91B	TIRE ASSY RR AT20*11-9 4PR /MAXXIS	TIRE ASSY RR AT20*11-9 4PR /MAXXIS	2	
	42753	42753-KNBN-90B	VALAE RIM (TR412)	VALAE RIM (TR412)	2	
**	43100-LBA7	43100-LBA7-900	CALIPER ASSY RR	CALIPER ASSY RR	1	
**	43100-LEC1	43100-LEC1-E00	CALIPER ASSY RR	CALIPER ASSY RR	1	
	43110-LBA7	43110-LBA7-900	BRACKET RR	BRACKET RR	1	
	43110-LEC1	43110-LEC1-E00	BRACKET CALIPER	BRACKET CALIPER	1	
	43140	43140-LEC1-E00	ARM BRAKE	ARM BRAKE	1	
	43143	43143-LEC1-E00	BOLT DRIVE	BOLT DRIVE	1	
	43146	43146-LEC1-E00	BRACKET CABLE	BRACKET CABLE	1	
	43147	43147-LEC1-E00	CAP	CAP	1	





Sales mark	Ref no	Part no	Description	Reg description	Regd no	F08
#	43350	43350-LDF3-E00	HUB BRK DISK	HUB BRK DISK	1	
#	43350	43350-LKC2-E00	HUB BRAKE DISK	HUB BRAKE DISK	1	
	43351	43351-LBA7-900	DISK RR BRK	DISK RR BRK	1	
	43352	43352-5H68-004	SCREW BLEEDER	SCREW BLEEDER	2	
	43353-4A61	43353-4A61-77A	CAP BLEEDER	CAP BLEEDER	2	
	43353-LBA7	43353-LBA7-900	COLLAR RR CALIPER BRKT	COLLAR RR CALIPER BRKT	1	
	4335B	4335B-LEC1-E00	BRKT ASSY RR CALIPER	BRKT ASSY RR CALIPER	1	
	45103	45103-MGR7-007	SEAL JOINT	SEAL JOINT	2	
	45105-KKC4	45105-KKC4-305	PAD SET	PAD SET	2	
	45105-LEC1	45105-LEC1-305	PAD SET	PAD SET	1	
	45107	45107-LEC1-E00	PISTON	PISTON	1	
	45108	45108-LEC1-E00	SPRING PAD	SPRING PAD	1	
#	45109-KKC4	45109-KKC4-900	DUST SEAL	DUST SEAL	2	
	45109-LEC1	45109-LEC1-E00	SEAL DUST	SEAL DUST	1	
	45115	45115-KKC4-900	COVER DUST	COVER DUST	2	
	45116	45116-LEC1-E00	CLIP	CLIP	1	
	45117	45117-LEC1-E00	WASHER	WASHER	1	
	45133	45133-LEC1-E00	BOOT	BOOT	4	
	45203-KKC4	45203-KKC4-900	PIN HANGER	PIN HANGER	2	
	45203-LEC1	45203-LEC1-E00	PIN HANGER	PIN HANGER	2	



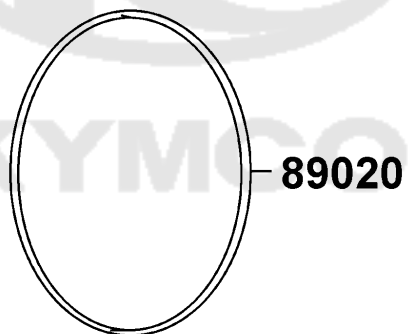
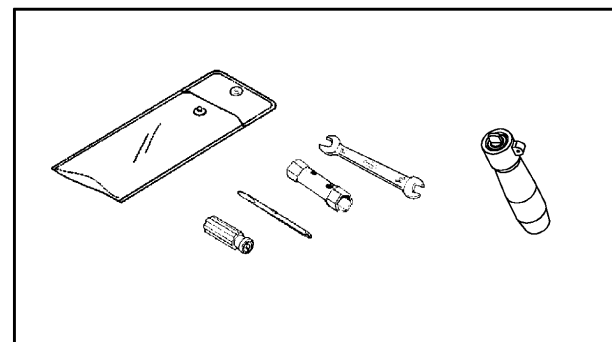
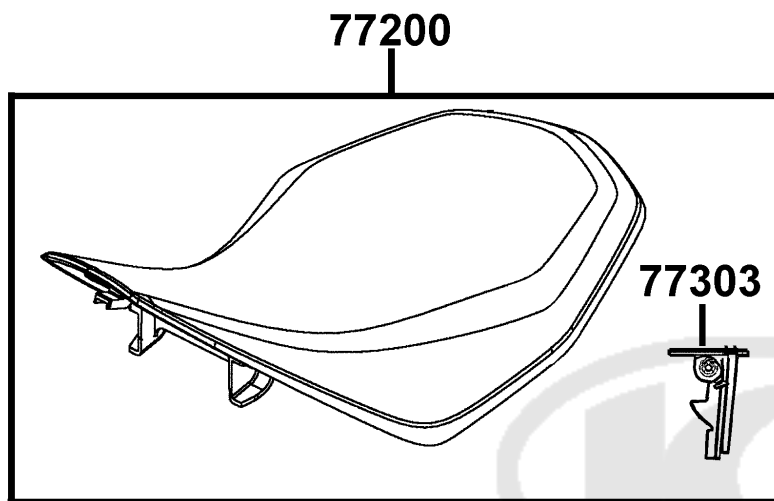
Sales mark	Ref no	Part no	Description	Reg description	Regd no	F08
	45207	45207-KKC4-900	PISTON	PISTON	4	
	45208	45208-KKC4-900	SPRING PAD	SPRING PAD	2	
#	45209	45209-KFA6-900	SEAL PISTON	SEAL PISTON	4	
	45232	45232-LEC1-E00	PIN BOLT	PIN BOLT	2	
	45531-GAR1	45531-GAR1-951	PLUG	PLUG	1	
	45531-LEC1	45531-LEC1-E00	PLUG	PLUG	1	
	46503	46503-KCW3-001	PIN COMP BRK ROD	PIN COMP BRK ROD	1	
	50306	50306-LBA7-900	NUT REAR SHAFT	NUT REAR SHAFT	2	
	50307	50307-LBA7-900	COLLAR REAR SHAFT	COLLAR REAR SHAFT	1	
	90104	90104-LBA7-900	BOLT WELD 10*25	BOLT WELD 10*25	4	
	90105-LBA7	90105-LBA7-900	BOLT CONNECTOR	BOLT CONNECTOR	8	
	90105-MLL0	90105-MLL0-731	BOLT STEP HOLDER 8*24	BOLT STEP HOLDER 8*24	5	
	90106	90106-LBA7-900	BOLT FLANGE 8*25	BOLT FLANGE 8*25	2	
	90301	90301-LBA7-900	NUT WHEEL 10*14	NUT WHEEL 10*14	8	
	90304	90304-GLW0-90A	NUT U FLANGE 10MM	NUT U FLANGE 10MM	4	
	90432	90432-LBA7-900	WASHER LOCK	WASHER LOCK	1	
	90651	90651-LBA7-900	RING SNAP	RING SNAP	1	
#	91254	91254-LBA7-900	OIL SEAL 52*62*7	OIL SEAL 52*62*7	2	
#	91254	91254-LKC2-E00	SEAL DUST 52X68X7	SEAL DUST 52X68X7	1	
	91301	91301-LBA7-900	OIL RING 76*3	OIL RING 76*3	1	



Sales mark	Ref no	Part no	Description	Reg description	Regd no	F08
	91302	91302-PKA9-004	O-RING 39.8*2.2	O-RING 39.8*2.2	1	
	93600	93600-LEC1-E00	SCREW FLAT 6MM	SCREW FLAT 6MM	2	
	94011	94011-LBA7-900	NUT FLANGE CASTLE 16MM	NUT FLANGE CASTLE 16MM	2	
	94201-20120	94201-20120	PIN SPLIT 2*12	PIN SPLIT 2*12	1	
	94201-30300	94201-30300	PIN SPLIT 3*30	PIN SPLIT 3*30	2	
	94251	94251-08400	PIN LOCK 8MM	PIN LOCK 8MM	2	
	94301	94301-08060	NUT HEC 8MM	NUT HEC 8MM	1	
	94510	94510-75000	CIR CLIP EX 75	CIR CLIP EX 75	1	
#	95701-06055	95701-06055-06	BOLT FLANGE 6*55	BOLT FLANGE 6*55	1	
#	95701-08020	95701-08020-06	BOLT FLANGE 8*20	BOLT FLANGE 8*20	1	
	95701-LEC1	95701-LEC1-E00	BOLT ADJUST	BOLT ADJUST	1	
#	95801	95801-08020-06	BOLT FLANGE 8*20(G)	BOLT FLANGE 8*20(G)	1	
#	96001	96001-06016-06	BOLT FLANGE SH 6*16	BOLT FLANGE SH 6*16	1	
	96150	96150-60080-10	BEARING BALL RADIAL 6008	BEARING BALL RADIAL 6008	2	
	96600	96600-KKC4-900	SOCKET BOLT	SOCKET BOLT	3	

F09

Seat



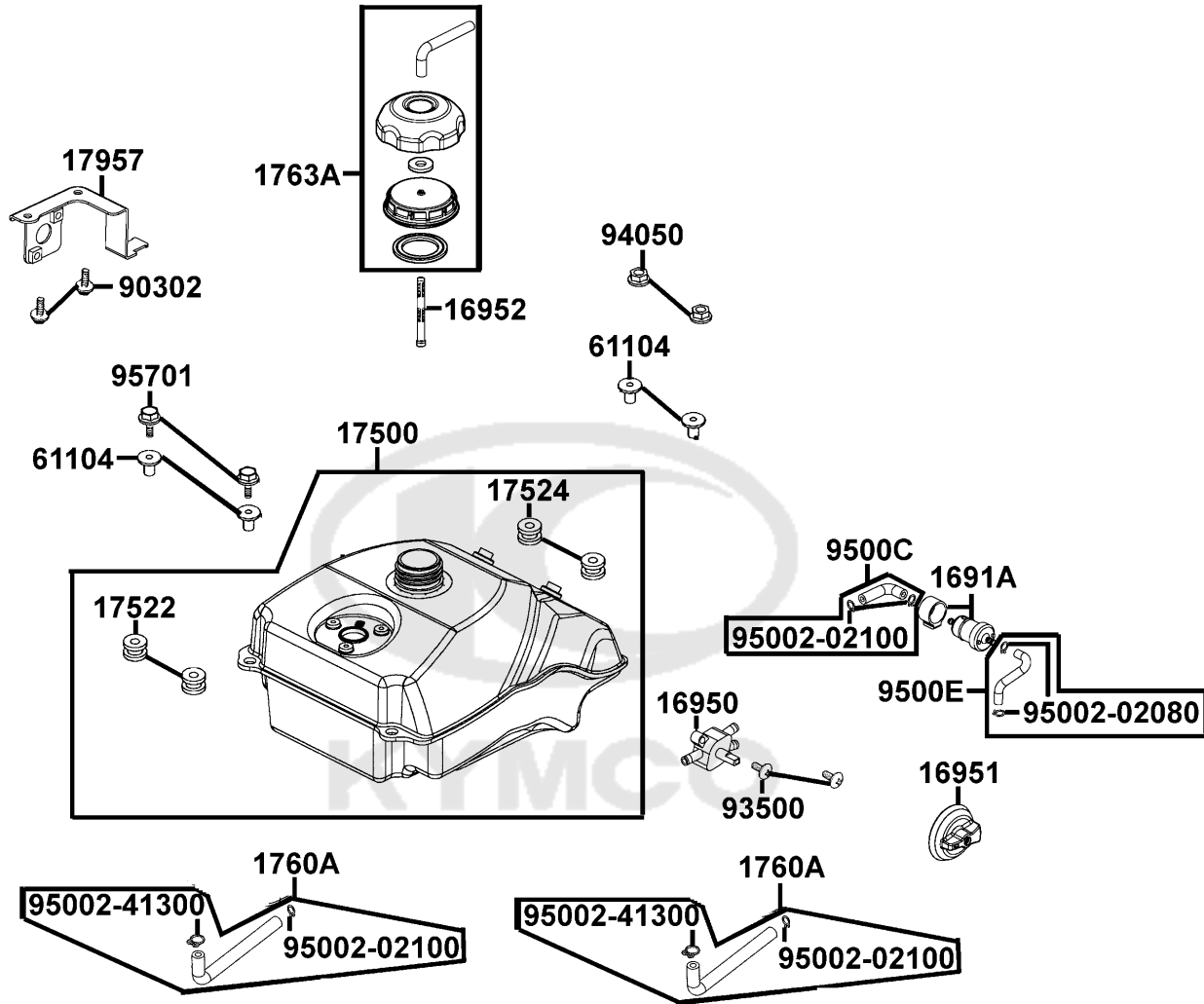
Sales mark	Ref no	Part no	Description	Reg description	Regd no	<b>F09</b>
------------	--------	---------	-------------	-----------------	---------	------------

**	77200	77200-LBA7-900	SEAT ASSY	SEAT ASSY	1	
	77303	77303-LLB1-900	HOOK ASSY SEAT LOCK	HOOK ASSY SEAT LOCK	1	
	89010	89010-LBA7-900	TOOL SET	TOOL SET	1	
	89020	89020-KKC4-900	BAND TOOL SET	BAND TOOL SET	1	



F10

Fuel Tank

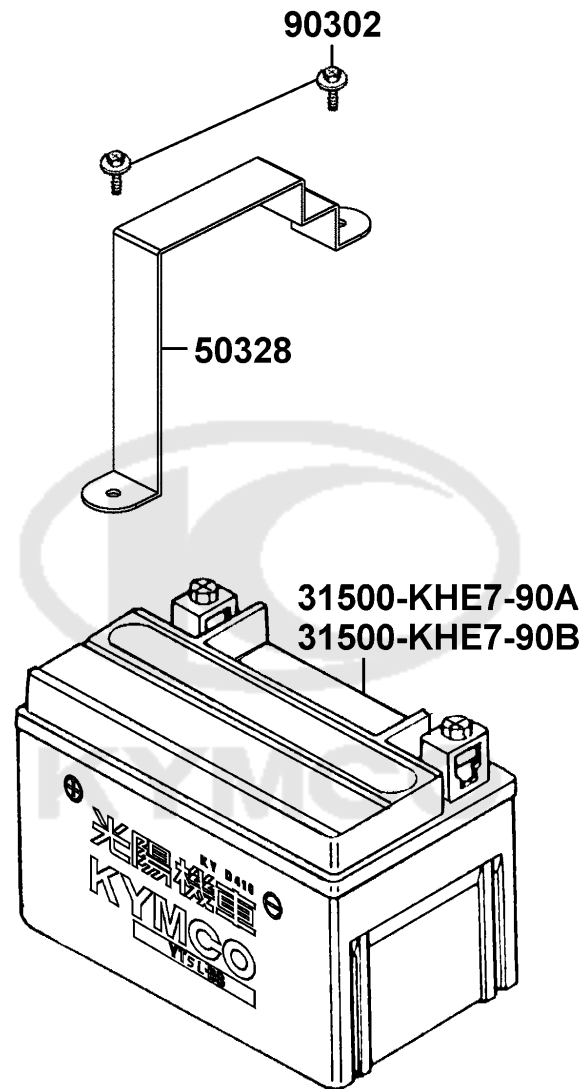




Sales mark	Ref no	Part no	Description	Reg description	Regd no	F10
	1691A	1691A-GFY6-90A	STRAINER ASSY FUEL	STRAINER ASSY FUEL	1	
#	16950	16950-LBA7-910	VALVE FUEL	VALVE FUEL	1	
	16951	16951-LBA7-900	COVER FUEL COCK	COVER FUEL COCK	1	
	16952	16952-LLB1-900	SCREEN FUEL STRAINER	SCREEN FUEL STRAINER	1	
	17500	17500-LBA7-900	TANK COMP FUEL	TANK COMP FUEL	1	
	17522	17522-LLB1-900	RUBBER FUEL TANK	RUBBER FUEL TANK	2	
	17524	17524-LLB1-900	RR RUBBER FUEL TANK	RR RUBBER FUEL TANK	2	
	1760A	1760A-LBA7-900	TUBE ASSY FUEL TANK	TUBE ASSY FUEL TANK	2	
	1763A	1763A-LCA5-MY0	CAP ASSY FUEL FILLER	CAP ASSY FUEL FILLER	1	
	17957	17957-LBA7-900	STAY FUEL COCK & STRAINER	STAY FUEL COCK & STRAINER	1	
	61104	61104-3G57-001	COLLAR FR FENDER	COLLAR FR FENDER	4	
	90302	90302-LLB1-E00	BOLT-WASHER 5*12	BOLT-WASHER 5*12	2	
	93500	93500-05016-1B	SCREW PAN 5*16	SCREW PAN 5*16	2	
	94050	94050-06080	NUT FLANGE 6MM	NUT FLANGE 6MM	2	
	95002-02080	95002-02080	CLIP B8 TUBE	CLIP B8 TUBE	2	
	95002-02100	95002-02100	CLIP B15 TUBE	CLIP B15 TUBE	4	
	95002-41300	95002-41300-00	CLIP D13.0 TUBE	CLIP D13.0 TUBE	2	
	9500C	9500C-LBA7-900	TUBE ASSY FUEL	TUBE ASSY FUEL	1	
	9500E	9500E-LBA7-900	TUBE ASSY FUEL	TUBE ASSY FUEL	1	
	95701	95701-06022-06	BOLT FLANGE 6*22	BOLT FLANGE 6*22	2	

F11

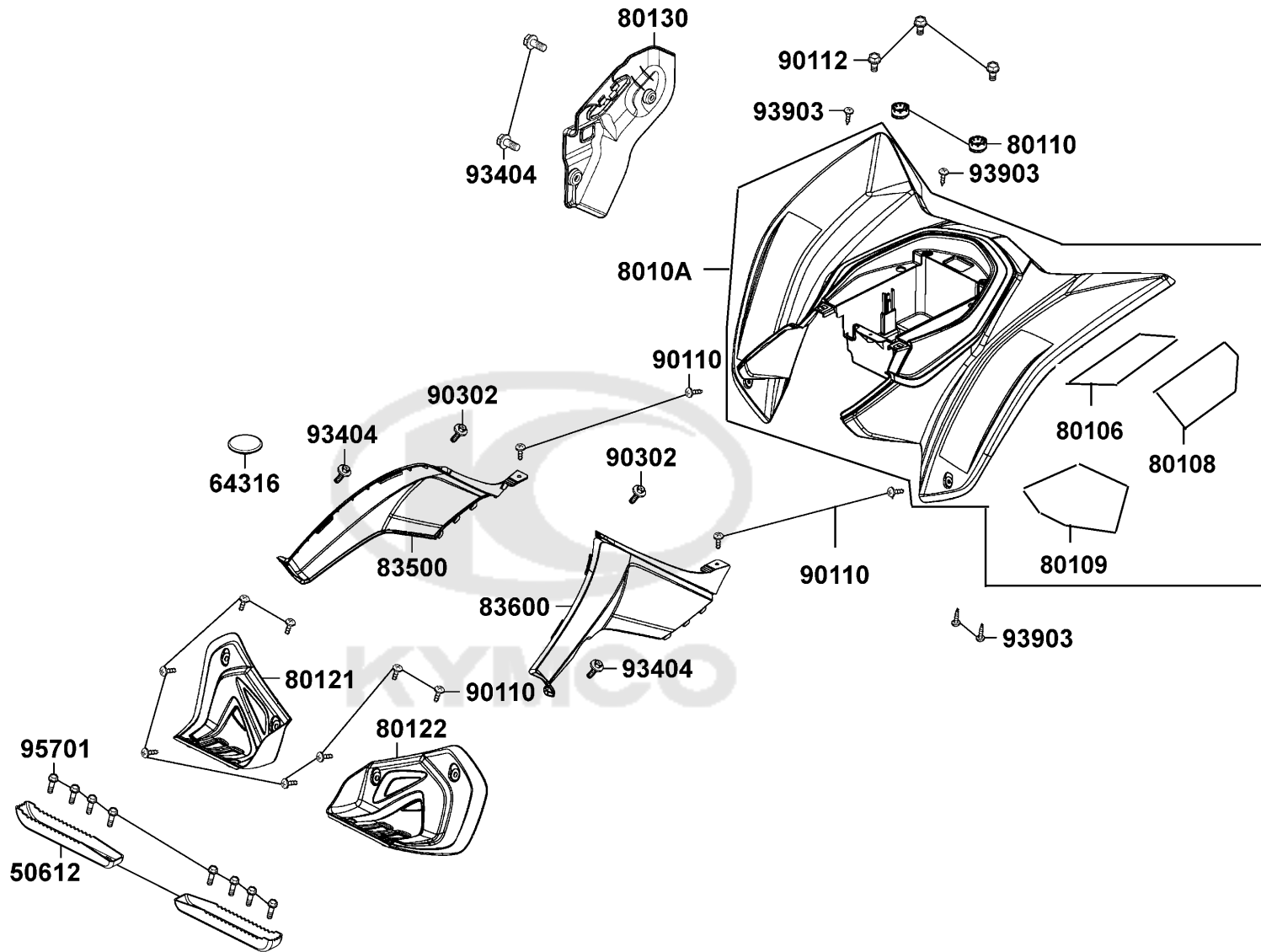
Battery



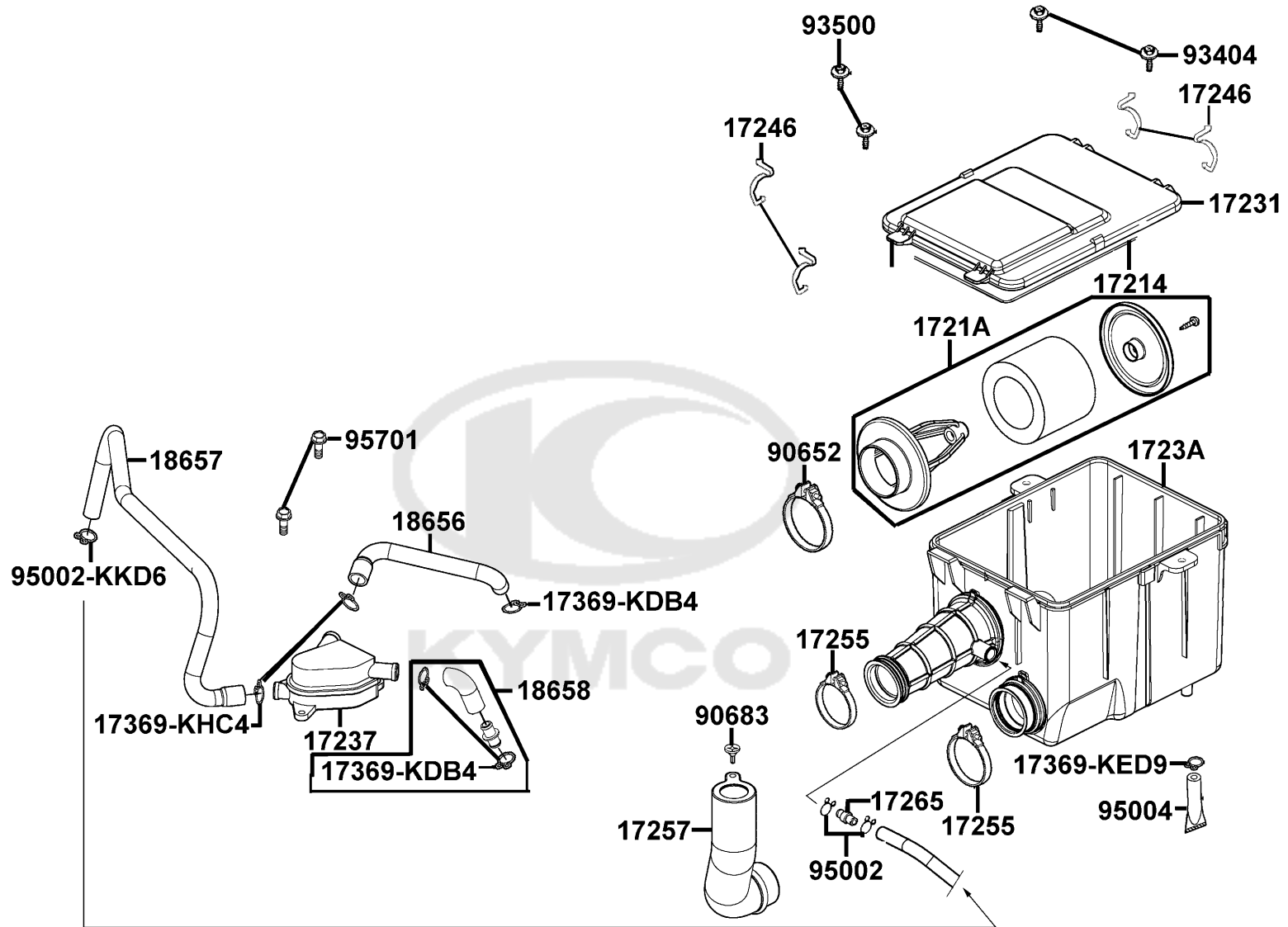
Sales mark	Ref no	Part no	Description	Reg description	Regd no	<b>F11</b>
------------	--------	---------	-------------	-----------------	---------	------------

	31500-KHE7-90A	31500-KHE7-90A	BATTERY YTX12-BS	BATTERY YTX12-BS	1	
	31500-KHE7-90B	31500-KHE7-90B	BATTERY GTX12-BS	BATTERY GTX12-BS	1	
50328		50328-LBA7-900	BAND BATTERY	BAND BATTERY	1	
90302		90302-LLB1-E00	BOLT-WASHER 5*12	BOLT-WASHER 5*12	2	

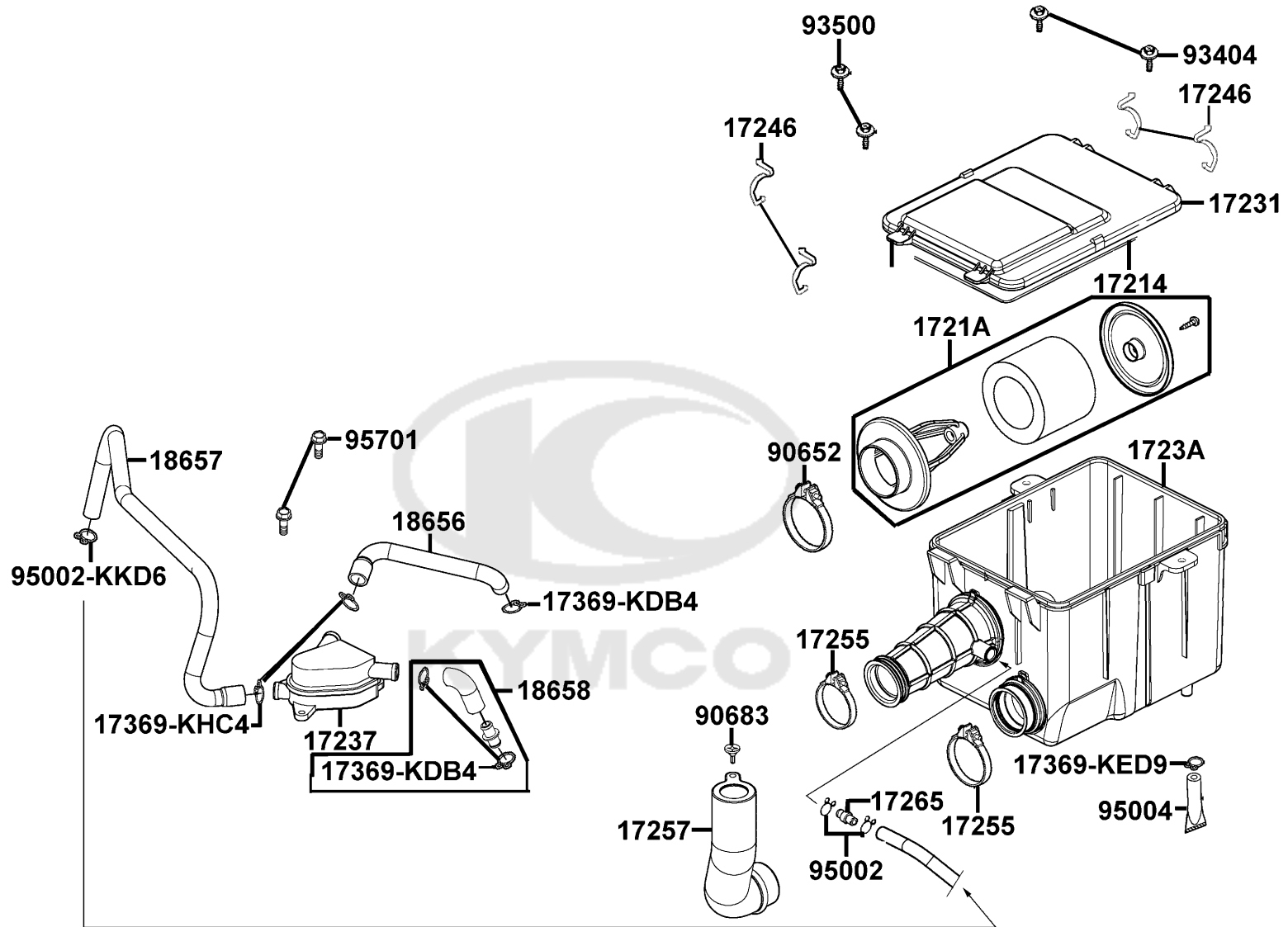




Sales mark	Ref no	Part no	Description	Reg description	Regd no	F12
	50612	50612-LBA7-900	RNFCT FLOOR	RNFCT FLOOR	2	
**	64316	64316-KEB7-900	PLUG FLOOR PANEL	PLUG FLOOR PANEL	1	
	80106	80106-LBA7-900	HEAT GUARD A REAR FENDER	HEAT GUARD A REAR FENDER	1	
	80108	80108-LBA7-900	HEAT GUARD B REAR FENDER	HEAT GUARD B REAR FENDER	1	
	80109	80109-LBA7-900	HEAT GUARD B REAR FENDER	HEAT GUARD B REAR FENDER	1	
**	8010A	8010A-LBA7-900	FENDER ASSY REAR	FENDER ASSY REAR	1	
	80110	80110-LBA7-900	RUBBER REAR FENDER	RUBBER REAR FENDER	2	
**	80121	80121-LBA7-910	MUDGUARD R FLOOR	MUDGUARD R FLOOR	1	
**	80122	80122-LBA7-910	MUDGUARD L FLOOR	MUDGUARD L FLOOR	1	
	80130	80130-LBA7-910	PROTECTOR MASTER CYLINDER	PROTECTOR MASTER CYLINDER	1	
**	83500	83500-LBA7-910	COVER R SIDE	COVER R SIDE	1	
**	83600	83600-LBA7-910	COVER L SIDE	COVER L SIDE	1	
	90110	90110-LLB1-800	SCREW SPECIAL 6*16	SCREW SPECIAL 6*16	12	
	90112	90112-KNBN-901	BOLT FLANGE 6MM	BOLT FLANGE 6MM	3	
	90302	90302-PWA1-900	BOLT-WASH 5*16	BOLT-WASH 5*16	2	
	93404	93404-06016-06	BOLT WASHER 6*16	BOLT WASHER 6*16	4	
	93903	93903-35360	SCREW TAPPING 5*16	SCREW TAPPING 5*16	2	
	95701	95701-08016-06	BOLT FLANGE 8*16	BOLT FLANGE 8*16	8	



Sales mark	Ref no	Part no	Description	Reg description	Regd no	<b>F13</b>
	17214	17214-LBA7-900	SEAL AIR/C COVER	SEAL AIR/C COVER	1	
	1721A	1721A-LBA7-900	ELEMENT COMP AIR/C	ELEMENT COMP AIR/C	1	
	17231	17231-LBA7-900	COVER AIR/C	COVER AIR/C	1	
	17237	17237-KED9-900	OIL CATCH ASSY	OIL CATCH ASSY	1	
	1723A	1723A-LBA7-900	CASE ASSY AIR/C	CASE ASSY AIR/C	1	
	17246	17246-LBA7-900	CLAMP AIR/C	CLAMP AIR/C	4	
	17255	17255-KKAK-900	BAND A AIR/C CONNECTING TUBE	BAND A AIR/C CONNECTING TUBE	2	
	17257	17257-LBA7-900	DUCT A AIR/C CASE	DUCT A AIR/C CASE	1	
	17265	17265-LBA7-900	JOINT BLOW BY	JOINT BLOW BY	1	
	17369-KDB4	17369-KDB4-671	CLIP BREATHER TUBE	CLIP BREATHER TUBE	3	
	17369-KED9	17369-KED9-900	CLIP BREATHER TUBE	CLIP BREATHER TUBE	1	
	17369-KHC4	17369-KHC4-900	CLIP BREATHER TUBE	CLIP BREATHER TUBE	2	
	18656	18656-LBA7-900	TUBE A OIL CATCH	TUBE A OIL CATCH	1	
	18657	18657-LBA7-900	TUBE B OIL CATCH	TUBE B OIL CATCH	1	
	18658	18658-KED9-900	TUBE C OIL CATCH	TUBE C OIL CATCH	1	
	90652	90652-LLJ3-E00	BAND CONNECTING TUBE	BAND CONNECTING TUBE	1	
	90683	90683-GAR1-004	CLIP BODY COVER	CLIP BODY COVER	1	
#	93404	93404-06012-06	BOLT WASHER 6*12 (G)	BOLT WASHER 6*12 (G)	2	
#	93500	93500-04025-0F	SCREW PAN 4*25 (G)	SCREW PAN 4*25 (G)	1	
	95002-02150	95002-02150	CLIP B14.5 TUBE	CLIP B14.5 TUBE	2	





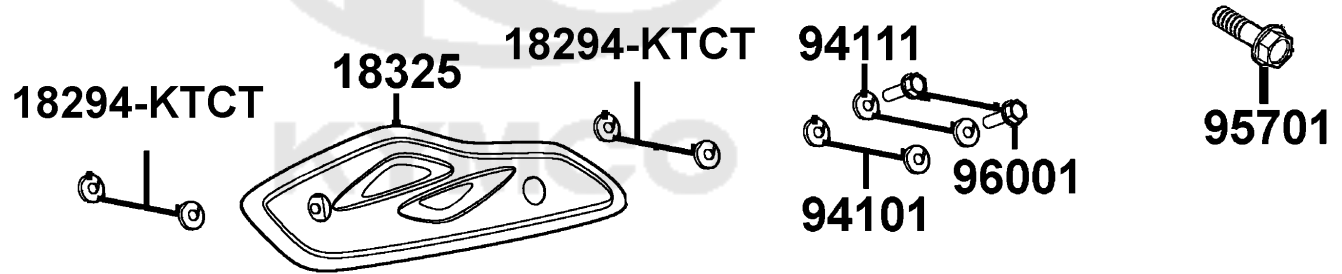
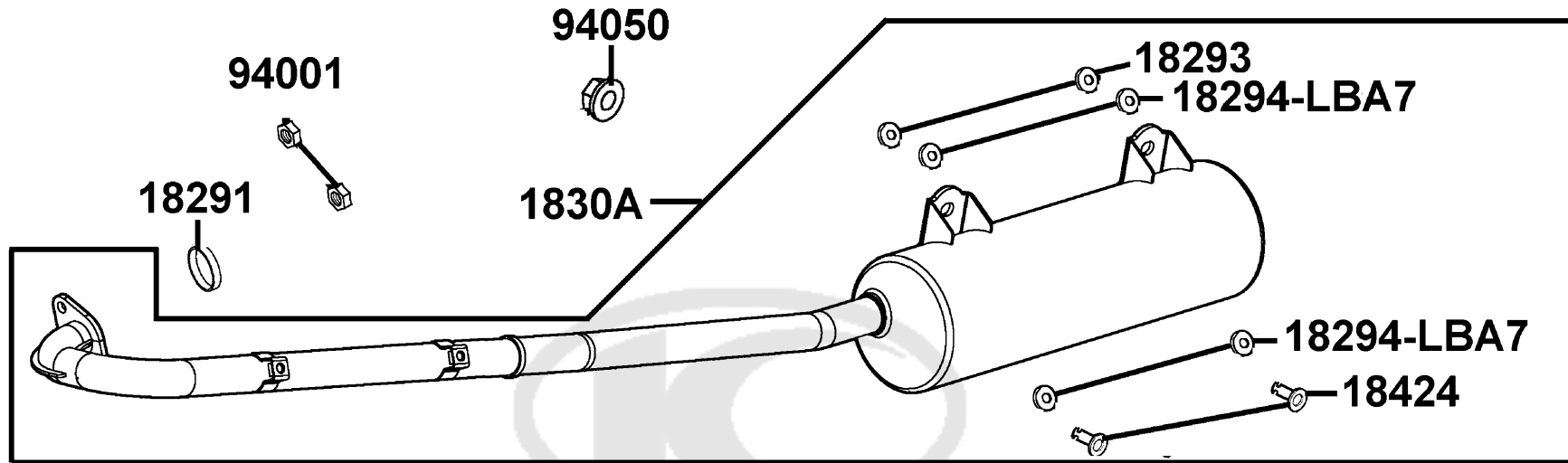
Sales mark	Ref no	Part no	Description	Reg description	Regd no	<b>F13</b>
------------	--------	---------	-------------	-----------------	---------	------------

	95002-KKD6	95002-KKD6-E05	CLAMP D18 TUBE	CLAMP D18 TUBE	1	
	95004	95004-LBA7-900	TUBE DRAIN	TUBE DRAIN	1	
#	95701	95701-06012-06	BOLT FLANGE 6*12	BOLT FLANGE 6*12	2	

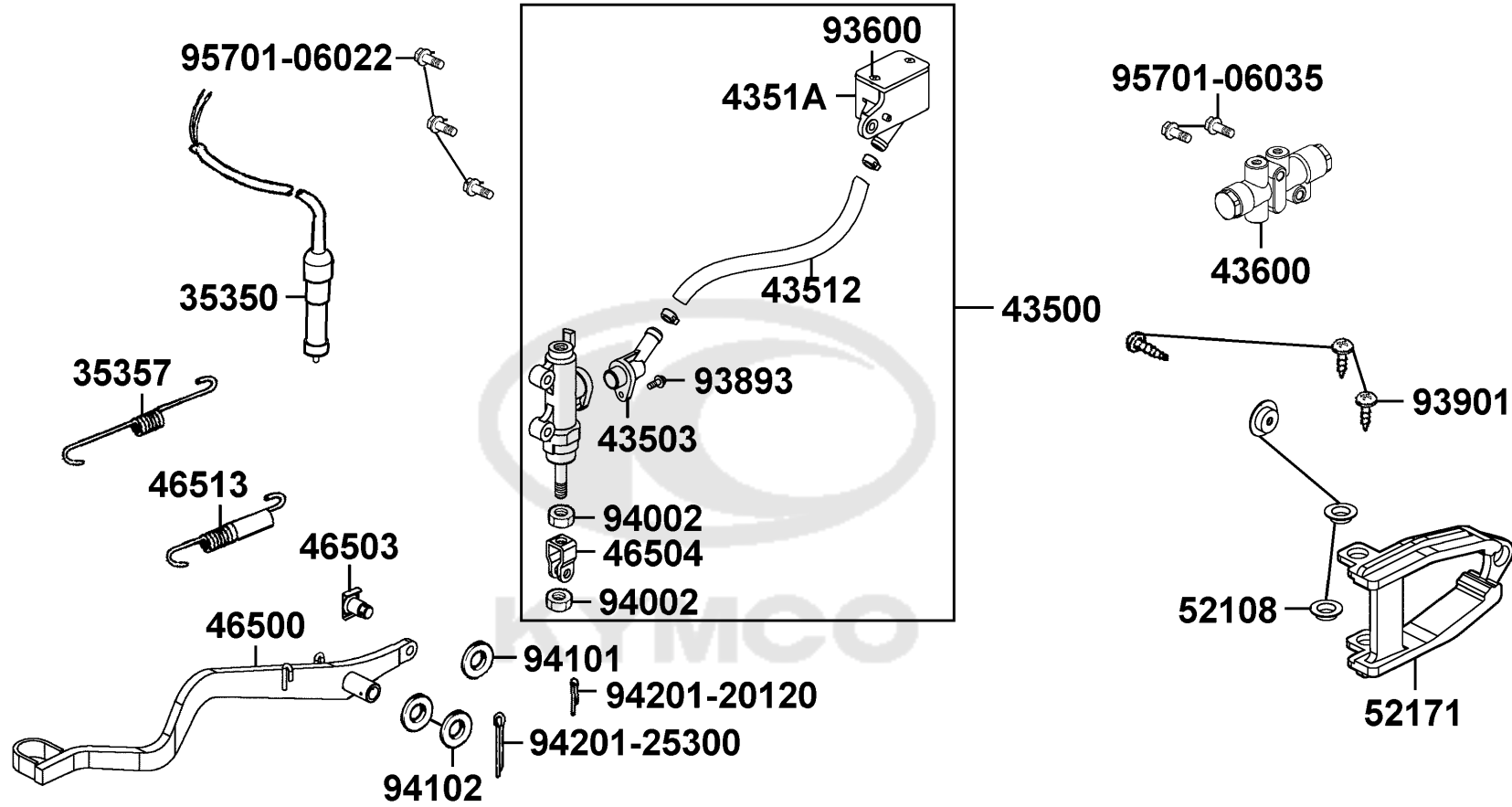


F14

Exhaust Muffler



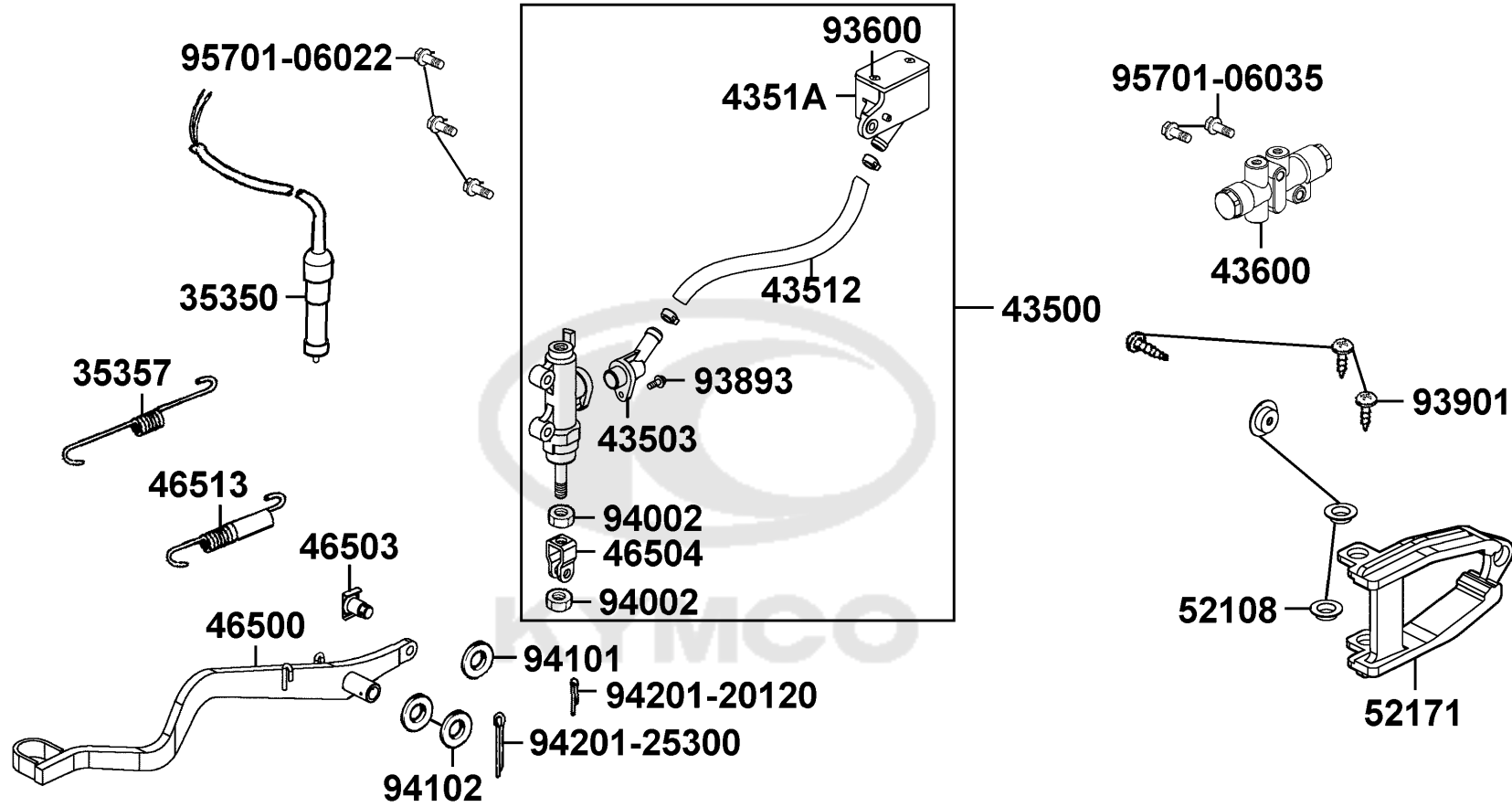
Sales mark	Ref no	Part no	Description	Reg description	Regd no	<b>F14</b>
	18291	18291-LBA7-900	GASKET EXH PIPE	GASKET EXH PIPE	1	
	18293	18293-LBA7-E00	RUBBER MUFFLER STAY	RUBBER MUFFLER STAY	2	
	18294-KTCT	18294-KTCT-900	PACKING PROTECTOR	PACKING PROTECTOR	4	
	18294-LBA7	18294-LBA7-E00	PACKING MUFFLER STAY	PACKING MUFFLER STAY	4	
	1830A	1830A-LBA7-E00	MUFFLER ASSY EXH	MUFFLER ASSY EXH	1	
	18325	18325-LBA7-900	PROTECTOR PIPE EXHAUST	PROTECTOR PIPE EXHAUST	1	
	18424	18424-LBA7-E00	COLLAR MUFFLER STAY	COLLAR MUFFLER STAY	4	
	94001	94001-08080-0S	NUT HEX 8MM	NUT HEX 8MM	2	
	94050	94050-08080	NUT FLANGE 8MM	NUT FLANGE 8MM	1	
	94101	94101-06200	WASHER PLAIN 6MM	WASHER PLAIN 6MM	2	
	94111	94111-06800	WASHER SPRING 6MM	WASHER SPRING 6MM	2	
#	95701	95701-08025-06	BOLT FLANGE 8*25	BOLT FLANGE 8*25	1	
#	96001	96001-06012-06	BOLT FLANGE SH 6*12	BOLT FLANGE SH 6*12	2	



Sales mark	Ref no	Part no	Description	Reg description	Regd no	<b>F15</b>
	35350	35350-LBA7-900	REAR STOP SW	REAR STOP SW	1	
	35357	35357-LBA7-900	SPG STOP SW	SPG STOP SW	1	
	43500	43500-LBA7-E00	MASTER CYLINDER ASSY RR	MASTER CYLINDER ASSY RR	1	
	43503	43503-KGC4-E01	CONNECTOR	CONNECTOR	1	
	43512	43512-LBA7-M30	HOSE M/C	HOSE M/C	1	
	4351A	4351A-KFW6-000	OIL CUP ASSY	OIL CUP ASSY	1	
	43600	43600-LBA7-E00	PGV ASSY	PGV ASSY	1	
	46500	46500-LBA7-900	PEDAL COMP RR BRAKE	PEDAL COMP RR BRAKE	1	
	46503	46503-KCW3-001	PIN COMP BRK ROD	PIN COMP BRK ROD	1	
	46504	46504-MBB2-007	JOINT BRK ROD	JOINT BRK ROD	1	
	46513	46513-KED9-900	SPG SET BRK PEDAL	SPG SET BRK PEDAL	1	
	52108	52108-KFW6-901	COLLAR CHAIN SLIDER	COLLAR CHAIN SLIDER	3	
	52171	52171-LBA7-900	SLIDER CHAIN	SLIDER CHAIN	1	
	93600	93600-04040-1G	SCREW FLAT 4*40	SCREW FLAT 4*40	1	
	93893	93893-04012-18	SCREW WASHER 4*12	SCREW WASHER 4*12	1	
#	93901	93901-26110-06	SCREW TAPPING 6*12 (G)	SCREW TAPPING 6*12 (G)	1	
	94002	94002-08000-0S	NUT HEX 8MM	NUT HEX 8MM	2	
	94101	94101-08800	WASHER PLAIN 8MM	WASHER PLAIN 8MM	1	
	94102	94102-14800	WASHER PLAIN 14*26*2.3	WASHER PLAIN 14*26*2.3	2	
	94201-20120	94201-20120	PIN SPLIT 2*12	PIN SPLIT 2*12	1	

F15

Master Cylinder Rear

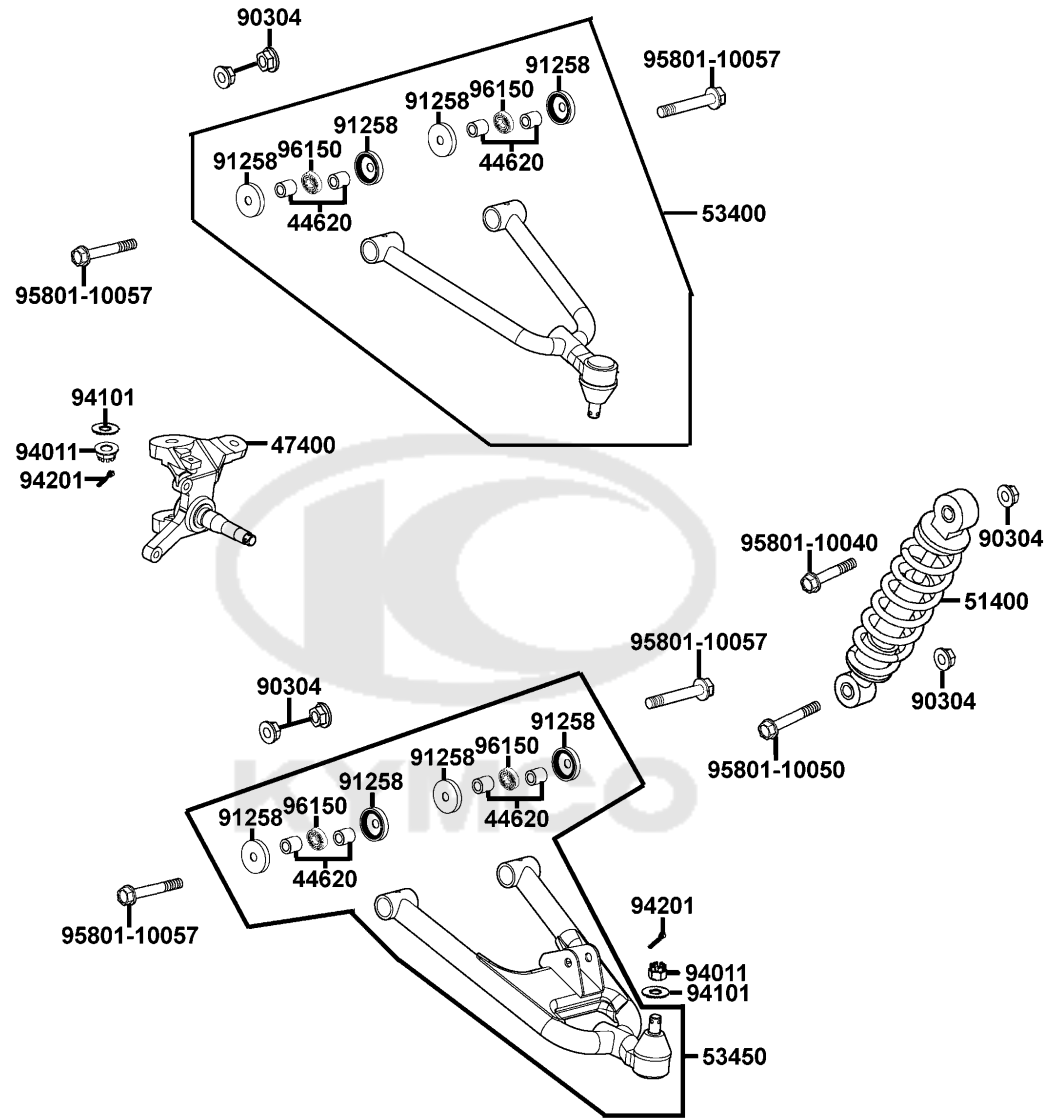


Sales mark	Ref no	Part no	Description	Reg description	Regd no	<b>F15</b>
------------	--------	---------	-------------	-----------------	---------	------------

94201-25300		94201-25300	PIN SPLIT 2.5*30	PIN SPLIT 2.5*30	1	
95701-06022		95701-06022-06	BOLT FLANGE 6*22	BOLT FLANGE 6*22	3	
95701-06035		95701-06035-06	BOLT FLANGE 6*35	BOLT FLANGE 6*35	2	



CushionRight Arm Swing

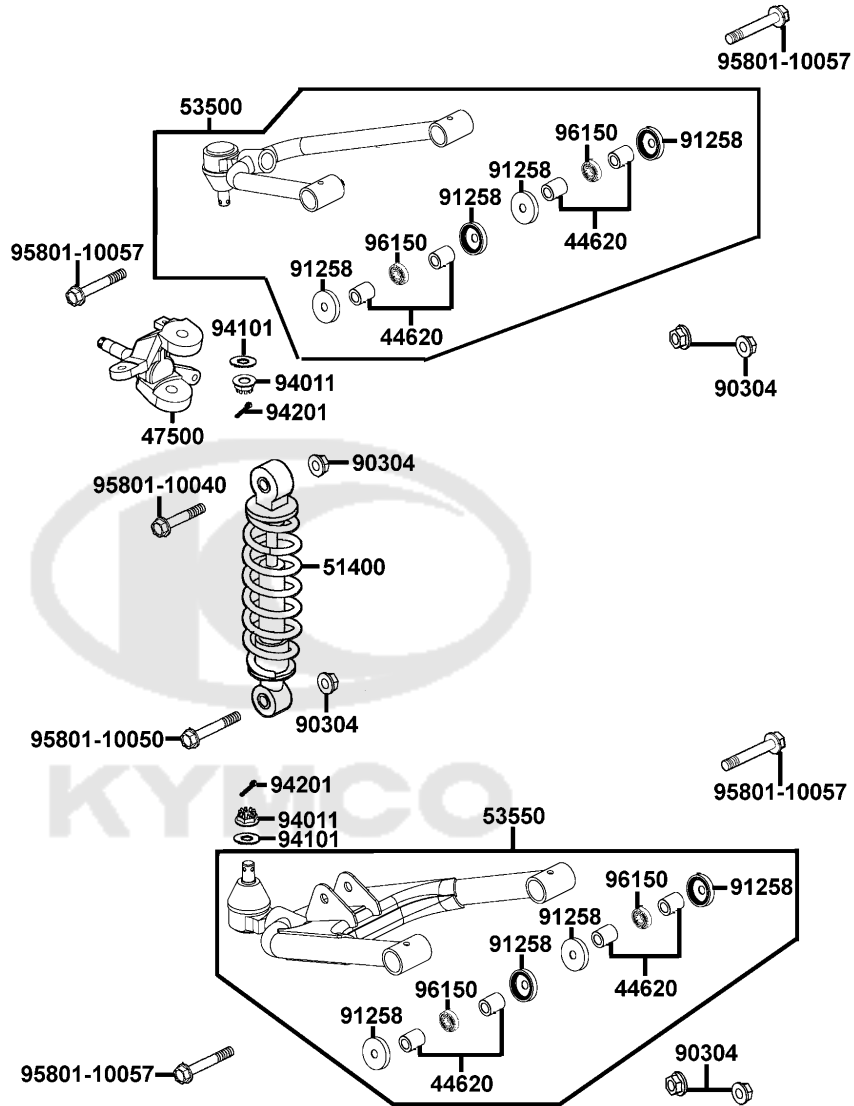




Sales mark	Ref no	Part no	Description	Reg description	Regd no	F16
	44620	44620-PWA2-900	COLLAR SWING ARM	COLLAR SWING ARM	8	
	47400	47400-LBA7-900	SHAFT ASSY R STEERING	SHAFT ASSY R STEERING	1	
**	51400	51400-PWA2-900	CUSHION ASSY FR	CUSHION ASSY FR	1	
**	53400	53400-PWA2-900	ARM ASSY R UP SWING	ARM ASSY R UP SWING	1	
**	53450	53450-PWA2-900	ARM ASSY R LOW SWING	ARM ASSY R LOW SWING	1	
	90304	90304-GLW0-90A	NUT U FLANGE 10MM	NUT U FLANGE 10MM	6	
	91258	91258-LBA7-900	OIL SEAL 18*26*4	OIL SEAL 18*26*4	8	
	94011	94011-12080-0S	NUT CASTLE 12MM	NUT CASTLE 12MM	2	
	94101	94101-12800	WASHER PLAIN 12MM	WASHER PLAIN 12MM	2	
	94201	94201-30250	PIN SPLIT 3*25	PIN SPLIT 3*25	2	
#	95801-10040	95801-10040-06	BOLT FLANGE 10*40	BOLT FLANGE 10*40	1	
	95801-10050	95801-10050-06	BOLT FLANGE 10*50	BOLT FLANGE 10*50	1	
	95801-10057	95801-10057-06	BOLT FLANGE 10*57	BOLT FLANGE 10*57	4	
	96150	96150-60000-10	BEARING BALL RADIAL 6000	BEARING BALL RADIAL 6000	4	

F17

# CushionLeft Arm Swing



Sales mark	Ref no	Part no	Description	Reg description	Regd no	F17
	44620	44620-PWA2-900	COLLAR SWING ARM	COLLAR SWING ARM	8	
	47500	47500-LBA7-900	SHAFT ASSY L STEERING	SHAFT ASSY L STEERING	1	
**	51400	51400-PWA2-900	CUSHION ASSY FR	CUSHION ASSY FR	1	
**	53500	53500-PWA2-900	ARM ASSY LEFT UP SWING	ARM ASSY LEFT UP SWING	1	
**	53550	53550-PWA2-900	ARM ASSY LEFT LOW SWING	ARM ASSY LEFT LOW SWING	1	
	90304	90304-GLW0-90A	NUT U FLANGE 10MM	NUT U FLANGE 10MM	6	
	91258	91258-LBA7-900	OIL SEAL 18*26*4	OIL SEAL 18*26*4	8	
	94011	94011-12080-0S	NUT CASTLE 12MM	NUT CASTLE 12MM	2	
	94101	94101-12800	WASHER PLAIN 12MM	WASHER PLAIN 12MM	2	
	94201	94201-30250	PIN SPLIT 3*25	PIN SPLIT 3*25	2	
#	95801-10040	95801-10040-06	BOLT FLANGE 10*40	BOLT FLANGE 10*40	1	
	95801-10050	95801-10050-06	BOLT FLANGE 10*50	BOLT FLANGE 10*50	1	
	95801-10057	95801-10057-06	BOLT FLANGE 10*57	BOLT FLANGE 10*57	4	
	96150	96150-60000-10	BEARING BALL RADIAL 6000	BEARING BALL RADIAL 6000	4	



Sales mark	Ref no	Part no	Description	Reg description	Regd no	F18
	40525	40525-LBA7-900	SLIDER CHAIN	SLIDER CHAIN	1	
	40526	40526-LBA7-900	PROTECTOR DISK	PROTECTOR DISK	1	
	40527	40527-LBA7-600	SLIDER CHAIN	SLIDER CHAIN	1	
	4052A	4052A-LBA7-910	PROTECTOR ASSY RR FORK	PROTECTOR ASSY RR FORK	1	
	44621	44621-LBA7-900	COLLAR GUIDE BUSH	COLLAR GUIDE BUSH	1	
**	52000	52000-LEC1-E00	FORK ASSY RR	FORK ASSY RR	1	
	52101	52101-LLB1-900	COLLAR RR FORK DIST	COLLAR RR FORK DIST	1	
	52108	52108-KEE5-004	BUSH RR FORK	BUSH RR FORK	2	
	52144	52144-LBA7-900	CAP RR FORK DUST SEAL	CAP RR FORK DUST SEAL	2	
	52200	52200-LBA7-900	ARM ASSY RR CUSHION	ARM ASSY RR CUSHION	1	
	52242	52242-LBA7-900	COLLAR LINK	COLLAR LINK	2	
	5231A	5231A-LBA7-600	LINK ASSY RR CUSHION	LINK ASSY RR CUSHION	1	
**	52400	52400-PWA2-900	CUSHION ASSY RR	CUSHION ASSY RR	1	
	53402	53402-LBA7-900	GUIDE BUSH	GUIDE BUSH	1	
#	90111	90111-KKD7-900	BOLT FLANGE 6MM	BOLT FLANGE 6MM	1	
	90121	90121-LBA7-900	BOLT RR FORK PIVOT M14*280MM	BOLT RR FORK PIVOT M14*280MM	1	
	90304	90304-GLW0-90A	NUT U FLANGE 10MM	NUT U FLANGE 10MM	9	
	90305	90305-GHE8-004	NUT U 14MM	NUT U 14MM	1	
	91072	91072-LBA7-900	NEEDLE BEARING	NEEDLE BEARING	2	
	91258	91258-LBA7-900	OIL SEAL 18*26*4	OIL SEAL 18*26*4	2	

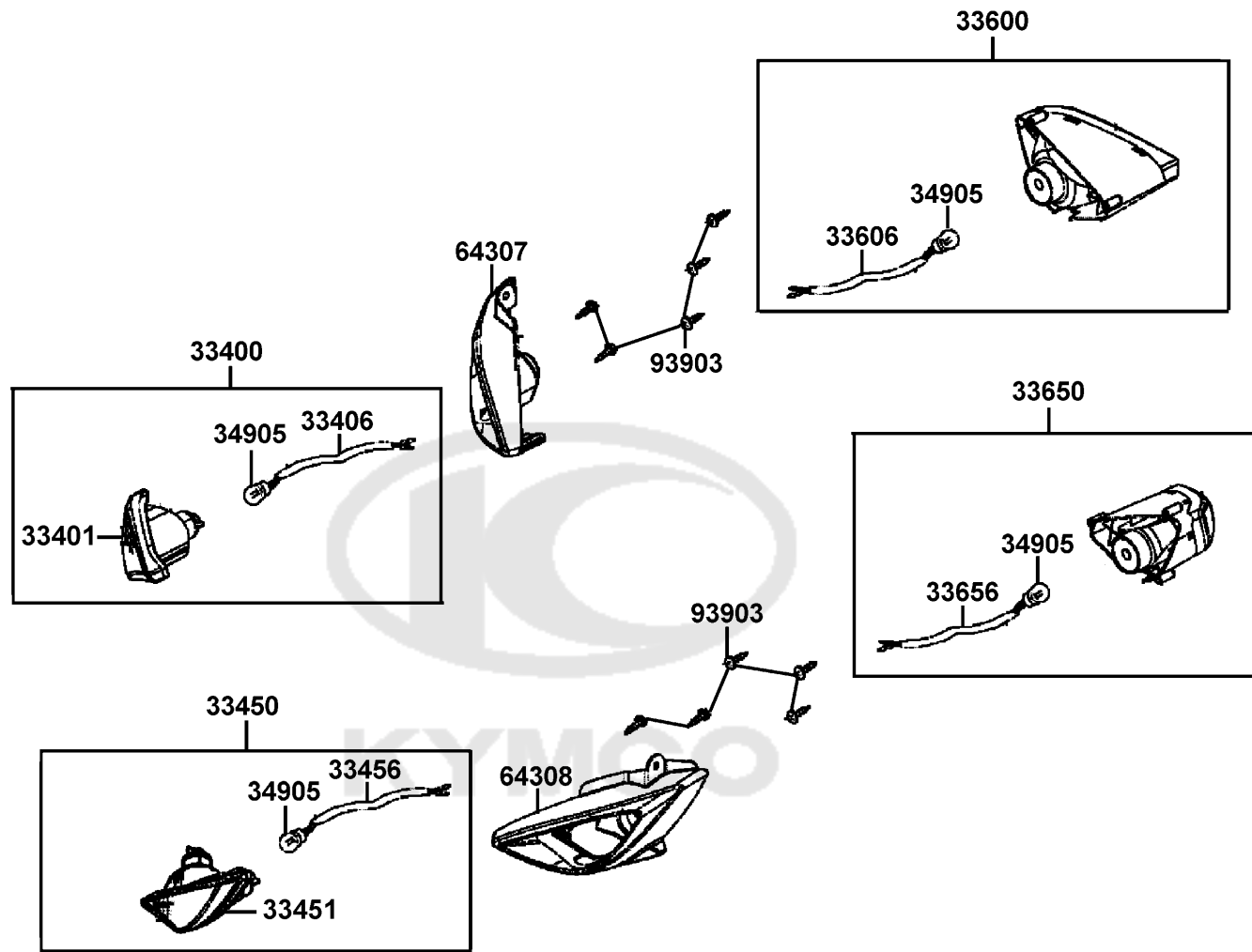


Sales mark	Ref no	Part no	Description	Reg description	Regd no	<b>F18</b>
	91259	91259-LBA7-900	OIL SEAL 17*24*5	OIL SEAL 17*24*5	4	
	93404	93404-06016-06	BOLT WASHER 6*16	BOLT WASHER 6*16	4	
	95801-10050	95801-10050-06	BOLT FLANGE 10*50	BOLT FLANGE 10*50	1	
	95801-10057	95801-10057-06	BOLT FLANGE 10*57	BOLT FLANGE 10*57	1	
#	95801-10060-06	95801-10060-06	BOLT FLANGE 10*60	BOLT FLANGE 10*60	3	
	95801-10085	95801-10085-06	BOLT FLANGE 10*85	BOLT FLANGE 10*85	1	
	95801-LBA7	95801-LBA7-900-06	BOLT FLANGE 10*53	BOLT FLANGE 10*53	3	
	96201	96201-10000	NIPPLE CREASE	NIPPLE CREASE	1	



F19

Front Winker

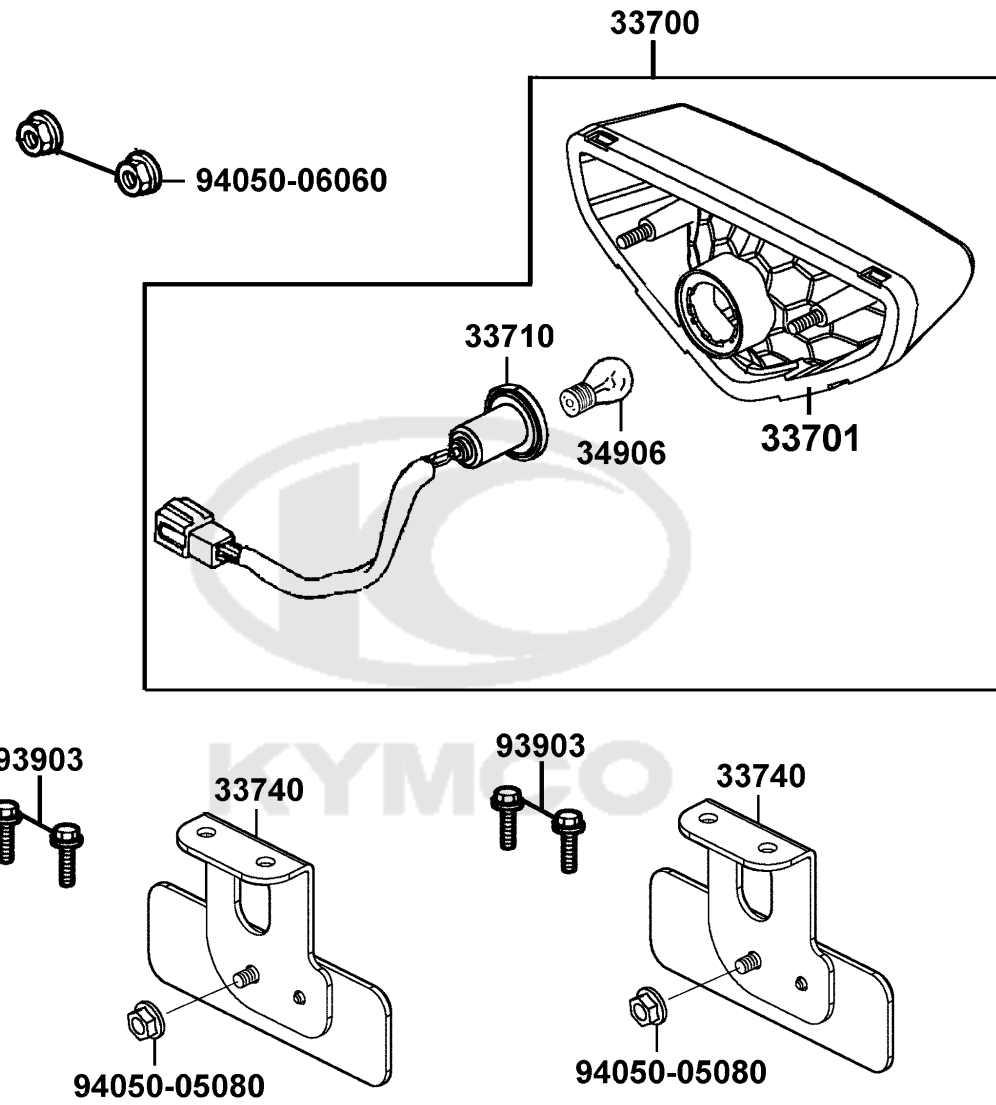




Sales mark	Ref no	Part no	Description	Reg description	Regd no	<b>F19</b>
33400		33400-LDF3-E00	WINKER ASSY R FR	WINKER ASSY R FR	1	
33401		33401-LDF3-E00	UNIT WINKER R FR	UNIT WINKER R FR	1	
33406		33406-LDF3-E00	SOCKET COMP R FR WINKER	SOCKET COMP R FR WINKER	1	
33450		33450-LDF3-E00	WINKER ASSY L FR	WINKER ASSY L FR	1	
33451		33451-LDF3-E00	UNIT WINKER L FR	UNIT WINKER L FR	1	
33456		33456-LDF3-E00	SOCKET COMP L FR WINKER	SOCKET COMP L FR WINKER	1	
33600		33600-LDF3-E00	WINKER ASSY R RR	WINKER ASSY R RR	1	
33606		33606-LDF3-E00	SOCKET COMP R RR WINKER	SOCKET COMP R RR WINKER	1	
33650		33650-LDF3-E00	WINKER ASSY L RR	WINKER ASSY L RR	1	
33656		33656-LDF3-E00	SOCKET COMP L RR WINKER	SOCKET COMP L RR WINKER	1	
34905		34905-LBA7-E00	BULB WINKER 12V10W	BULB WINKER 12V10W	4	
64307		64307-LDF3-E01	COVER R WINKER	COVER R WINKER	1	
64308		64308-LDF3-E01	COVER L WINKER	COVER L WINKER	1	
93903		93903-35360	SCREW TAPPING 5*16	SCREW TAPPING 5*16	10	

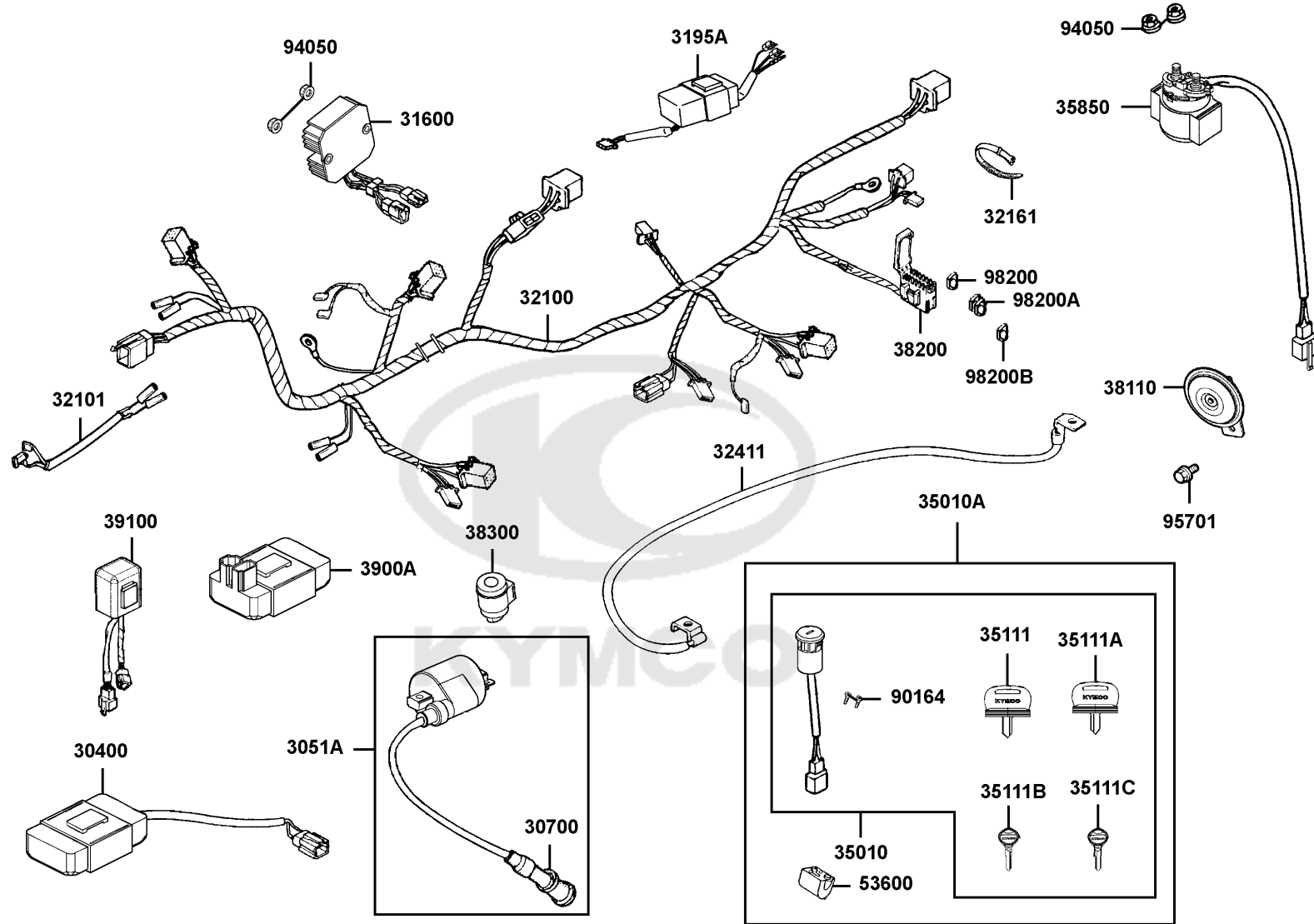
F20

Tail Light

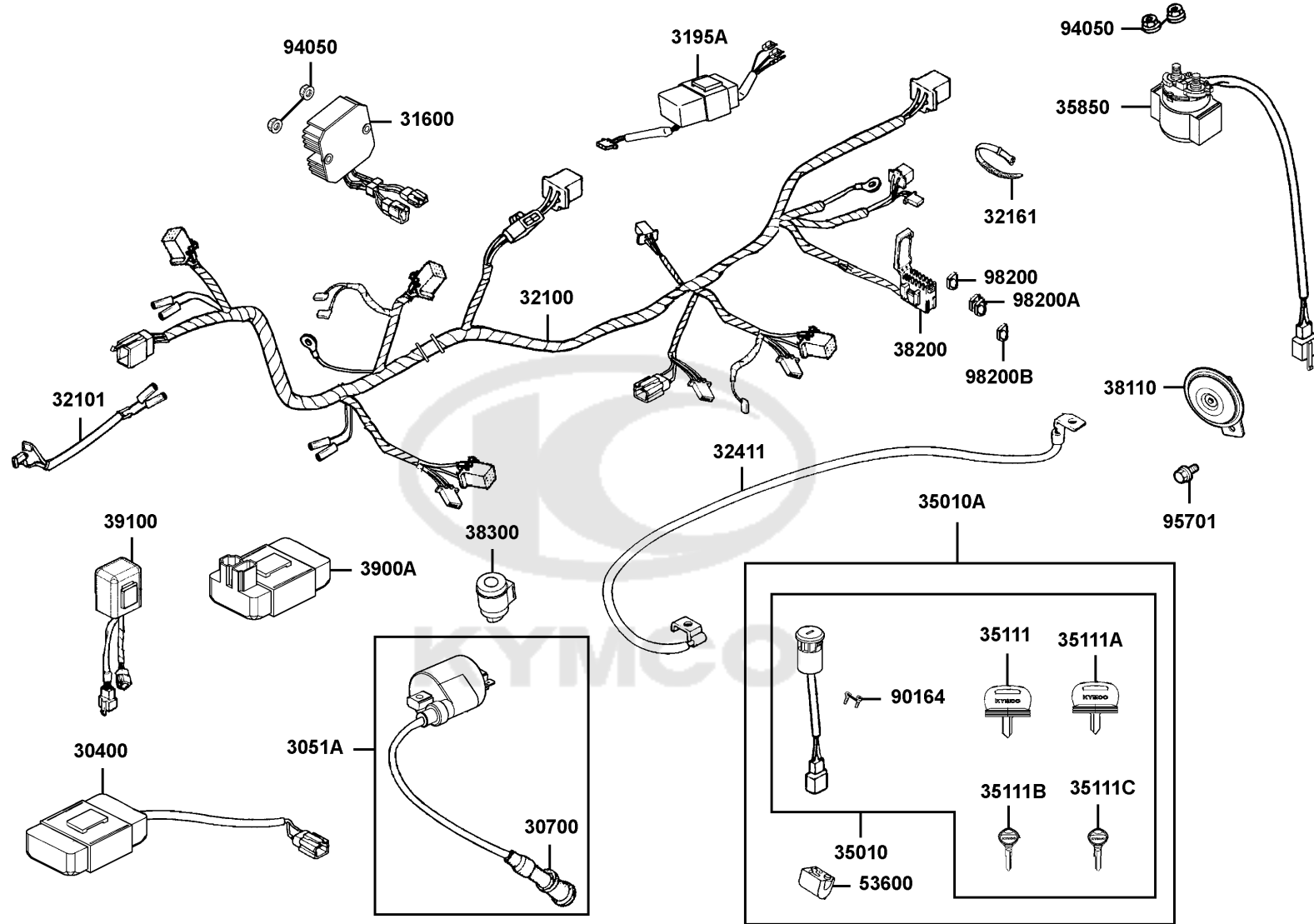


Sales mark	Ref no	Part no	Description	Reg description	Regd no	<b>F20</b>
	33700	33700-LBA7-E00	LIGHT ASSY TAIL	LIGHT ASSY TAIL	1	
	33701	33701-LBA7-E00	UNIT TAIL LIGHT	UNIT TAIL LIGHT	1	
	33710	33710-LBA7-900	SOCKET COMP RR COMB	SOCKET COMP RR COMB	1	
	33740	33740-LBA7-E00	REFLECTOR ASSY RR	REFLECTOR ASSY RR	2	
	34906	34906-KPCP-900	BULB TAIL & STOP	BULB TAIL & STOP	1	
	93903	93903-35360	SCREW TAPPING 5*16	SCREW TAPPING 5*16	4	
	94050-05080	94050-05080	NUT FLANGE 5MM	NUT FLANGE 5MM	2	
#	94050-06060	94050-06060	NUT FLANGE 6MM	NUT FLANGE 6MM	2	

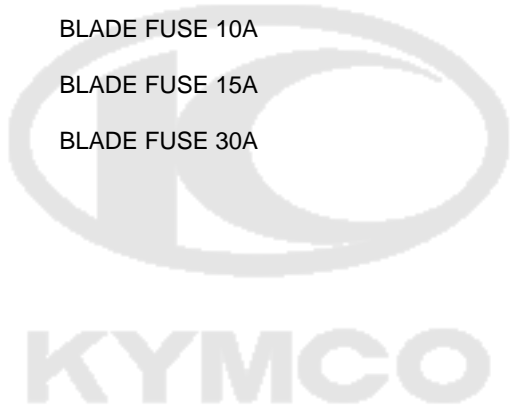




Sales mark	Ref no	Part no	Description	Reg description	Regd no	F21
	30400	30400-LBA7-900	UNIT ASSY IGNITION	UNIT ASSY IGNITION	1	
	3051A	3051A-KHE7-900	COIL ASSY IGNITION	COIL ASSY IGNITION	1	
	30700	30700-KHE7-900	CAP ASSY NOISE SUPPR	CAP ASSY NOISE SUPPR	1	
	31600	31600-LBA7-900	REG REC COMP	REG REC COMP	1	
	3195A	3195A-LBA7-E00	HAZARD CONTROL ASSY	HAZARD CONTROL ASSY	1	
	32100	32100-LDF3-E00	HARNESS WIRE	HARNESS WIRE	1	
	32101	32101-LLB1-800	SUB CORD	SUB CORD	1	
	32161	32161-LBA7-900	BAND WIRE	BAND WIRE	1	
	32411	32411-LLB1-900	CABLE BAT	CABLE BAT	1	
#	35010	35010-LCA5-90A	KEY SET	KEY SET	1	
	35010A	35010-LCA5-E0A	KEY SET	KEY SET	1	
	35111	35111-LCA5-325-M1	KEY COMP(FOR SERVICE)	KEY COMP(FOR SERVICE)	1	
	35111A	35111-LCA5-326-M1	KEY COMP(FOR SERVICE)	KEY COMP(FOR SERVICE)	1	
	35111B	35111-LLB1-327-M1	KEY COMP (FOR SERVICE)	KEY COMP (FOR SERVICE)	1	
	35111C	35111-LLB1-328-M1	KEY COMP (FOR SERVICE)	KEY COMP (FOR SERVICE)	1	
	35850	35850-KHB4-90A	SET START MAG	SET START MAG	1	
	35850	35850-KHB4-90B	SET START MAG	SET START MAG	1	
	38110	38110-KHB4-E0A	HORN COMP	HORN COMP	1	
	38110	38110-KHB4-E0B	HORN COMP	HORN COMP	1	
	38200	38200-KEBE-900	BOX COMP FUSE	BOX COMP FUSE	1	

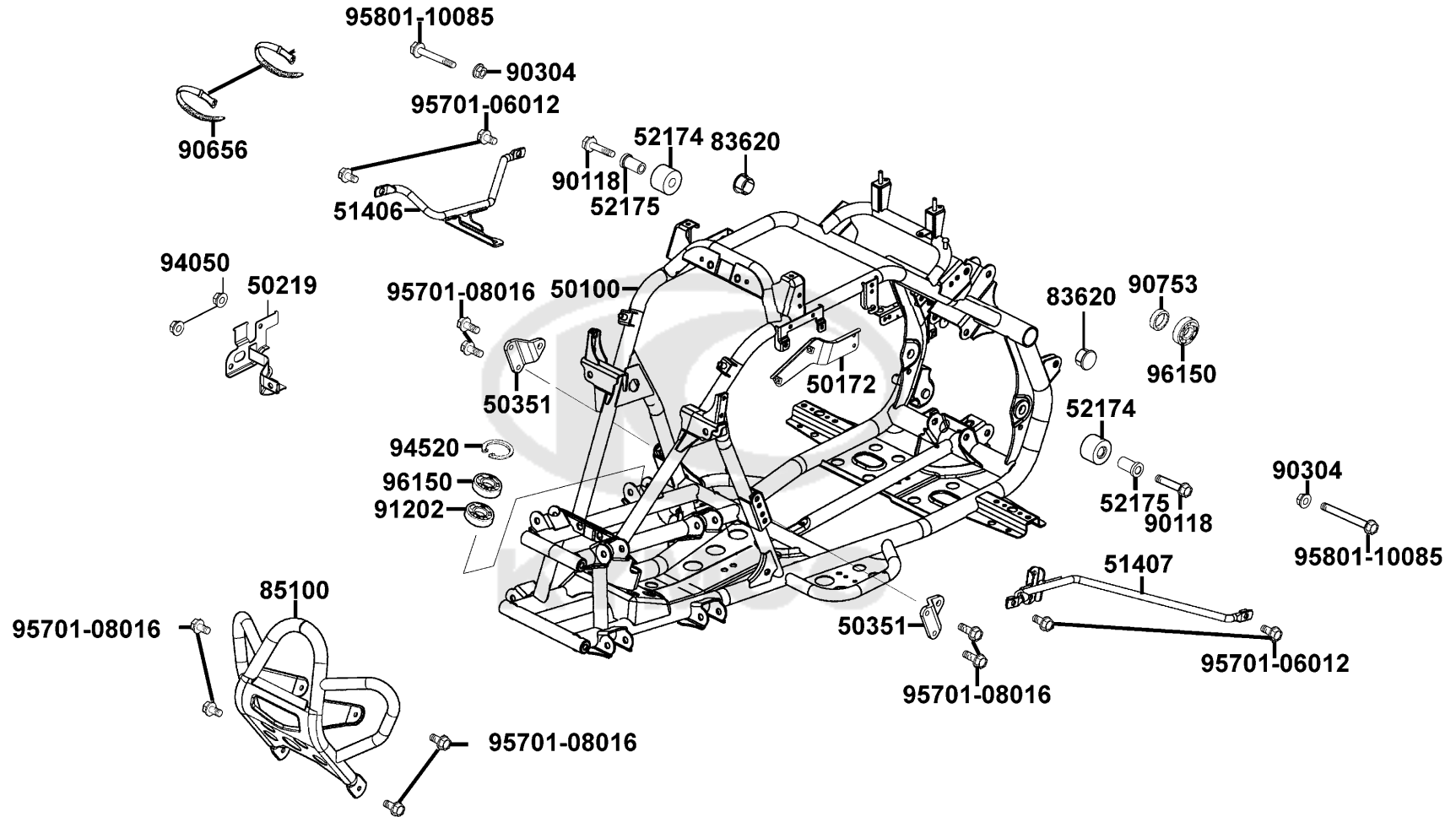


Sales mark	Ref no	Part no	Description	Reg description	Regd no	F21
	38300	38300-KECE-900	RELAY ASSY WINKER	RELAY ASSY WINKER	1	
	3900A	3900A-LBA7-900	CONTROL ASSY GEAR CHANGE	CONTROL ASSY GEAR CHANGE	1	
	39100	39100-LBA7-E00	EMI FILTER FAN MOTOR	EMI FILTER FAN MOTOR	1	
	53600	53600-KKAK-E0A	LOCK STEERING HNDL	LOCK STEERING HNDL	1	
	90164	90164-0H28-900	SCREW FLAT U LOCK 6*12	SCREW FLAT U LOCK 6*12	2	
	94050	94050-06080	NUT FLANGE 6MM	NUT FLANGE 6MM	4	
#	95701	95701-08012-06	BOLT FLANGE 8*12	BOLT FLANGE 8*12	1	
	98200	98200-31000	BLADE FUSE 10A	BLADE FUSE 10A	1	
	98200A	98200-31500	BLADE FUSE 15A	BLADE FUSE 15A	2	
	98200B	98200-33000	BLADE FUSE 30A	BLADE FUSE 30A	1	



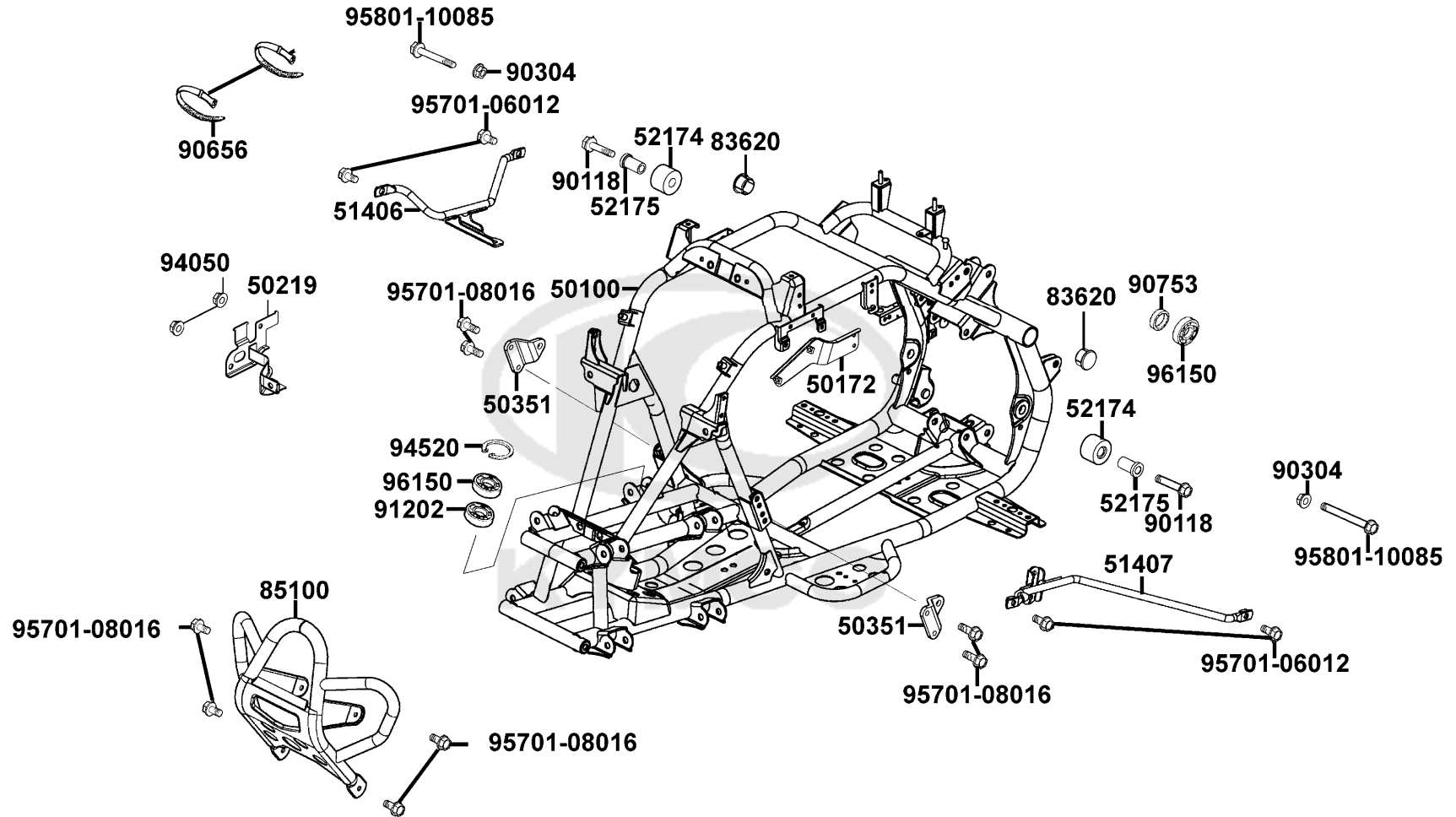
F22

Frame Body





Sales mark	Ref no	Part no	Description	Reg description	Regd no	F22
	50100	50100-LDF3-E00	BODY COMP FRAME	BODY COMP FRAME	1	
	50172	50172-LBA7-E00	STAY CATCH TANK	STAY CATCH TANK	1	
	50219	50219-LBA7-E00	STAY WINKER RELAY	STAY WINKER RELAY	1	
	50351	50351-LBA7-900	BRKT ENG HANGER	BRKT ENG HANGER	2	
	51406	51406-LDF3-E00	STAY R FR FENDER	STAY R FR FENDER	1	
	51407	51407-LDF3-E00	STAY L FR FENDER	STAY L FR FENDER	1	
	52174	52174-LBA7-900	RUBBER CHAIN DRIVE	RUBBER CHAIN DRIVE	2	
	52175	52175-LBA7-900	COLLAR CHAIN RUBBER	COLLAR CHAIN RUBBER	2	
	83620	83620-LBA7-900	CAP PIPE	CAP PIPE	2	
**	85100	85100-LDF3-E00	PIPE COMP FR BUMPER	PIPE COMP FR BUMPER	1	
#	90118	90118-PVA2-900	BOLT FLANGE 8*38	BOLT FLANGE 8*38	1	
	90304	90304-GLW0-90A	NUT U FLANGE 10MM	NUT U FLANGE 10MM	2	
	90656	90656-KCBC-900	BAND OIL HANDLE	BAND OIL HANDLE	2	
	90753	90753-GDB4-68A	OIL SEAL 27*40*6	OIL SEAL 27*40*6	1	
	91202	91202-LLB1-900	OIL SEAL 22*35*7	OIL SEAL 22*35*7	1	
#	94050	94050-06060	NUT FLANGE 6MM	NUT FLANGE 6MM	2	
	94520	94520-40000	CIR CLIP IN 40	CIR CLIP IN 40	1	
#	95701-06012	95701-06012-06	BOLT FLANGE 6*12	BOLT FLANGE 6*12	4	
	95701-08016	95701-08016-06	BOLT FLANGE 8*16	BOLT FLANGE 8*16	4	
	95801-10085	95801-10085-06	BOLT FLANGE 10*85	BOLT FLANGE 10*85	2	



Sales mark	Ref no	Part no	Description	Reg description	Regd no	<b>F22</b>
------------	--------	---------	-------------	-----------------	---------	------------

96150

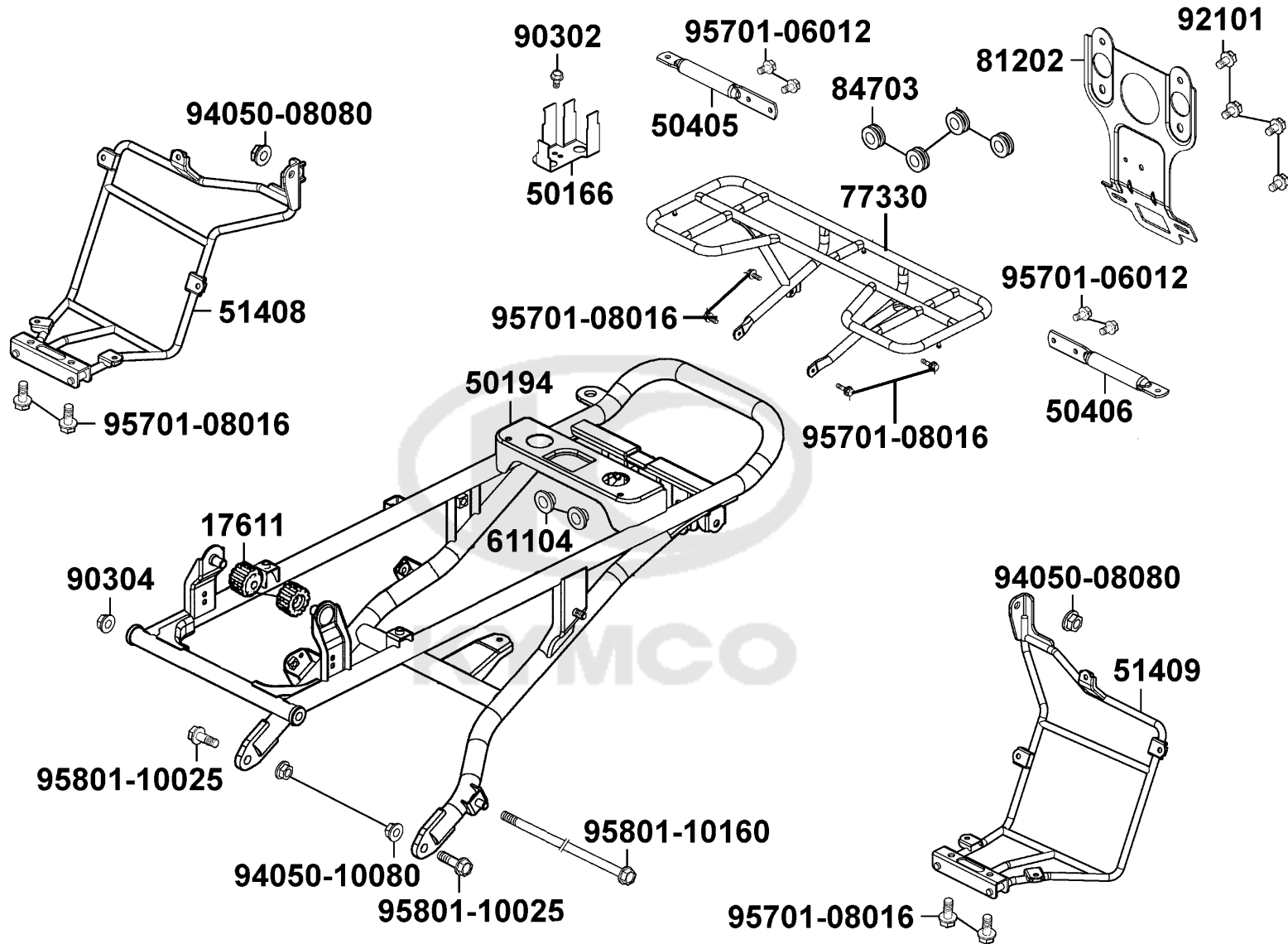
96150-62030-10

BEARING BALL RADIAL 6203

BEARING BALL RADIAL 6203

1

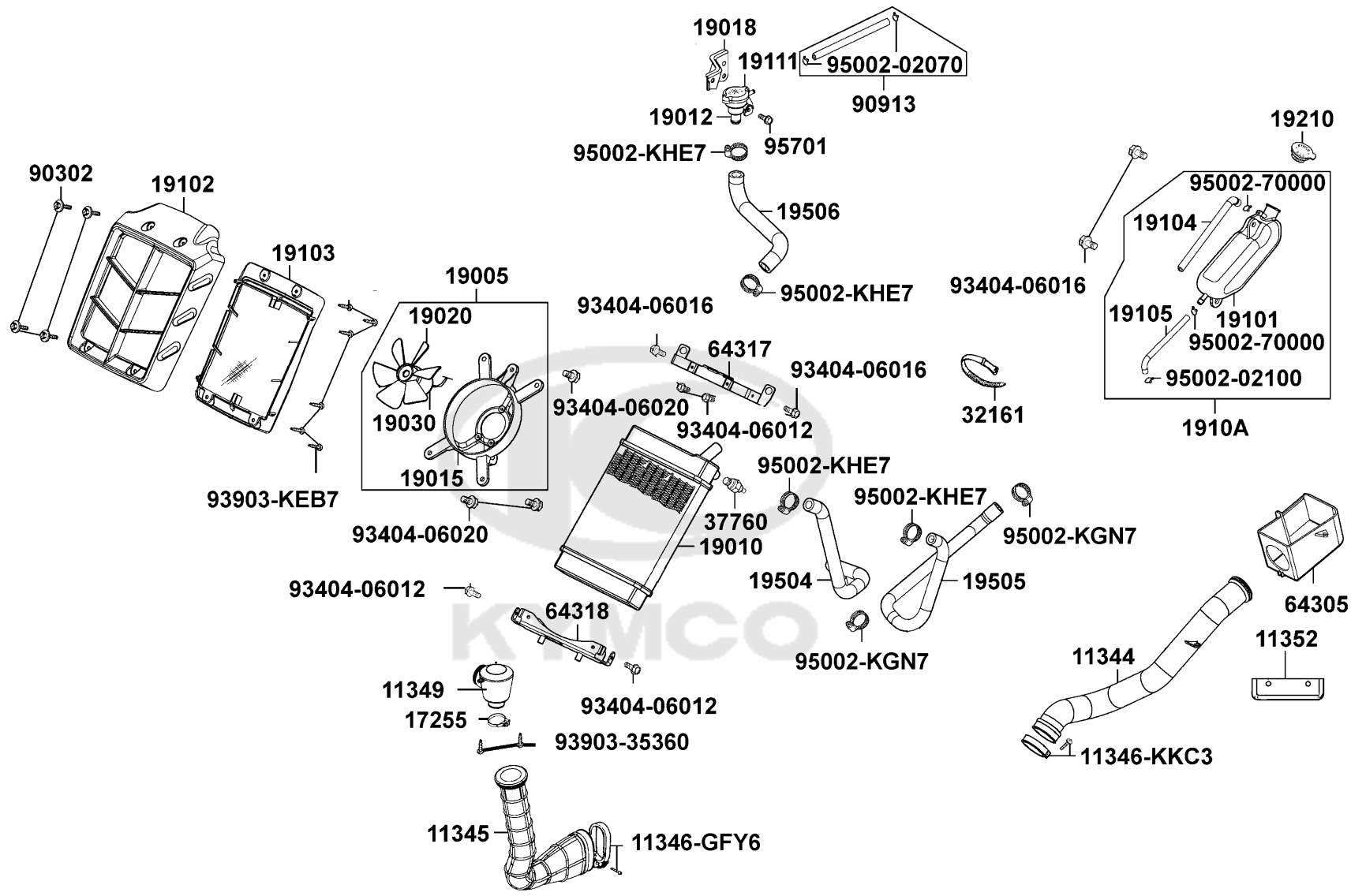




Sales mark	Ref no	Part no	Description	Reg description	Regd no	F23
	17611	17611-2F86-001	CUSHION FRONT FUEL TANK	CUSHION FRONT FUEL TANK	2	
	50166	50166-LBA7-900	STAY START MAG SW	STAY START MAG SW	1	
	50194	50194-LBA7-E00	REAR PIPE COMP SUB FRAME	REAR PIPE COMP SUB FRAME	1	
	50405	50405-LDF3-E00	REAR STAY R RR FENDER	REAR STAY R RR FENDER	1	
	50406	50406-LDF3-E00	REAR STAY L RR FENDER	REAR STAY L RR FENDER	1	
	51408	51408-LDF3-E00	STAY R RR FENDER	STAY R RR FENDER	1	
	51409	51409-LDF3-E00	STAY L RR FENDER	STAY L RR FENDER	1	
	61104	61104-3G57-001	COLLAR FR FENDER	COLLAR FR FENDER	2	
**	77330	77330-LDF3-E00	RR CARRIER LUGGAGE **(0)	RR CARRIER LUGGAGE **(0) C.2005.10.26	1	
	81202	81202-LBA7-E00	STAY ID PLATE	STAY ID PLATE	1	
	84703	84703-LLB1-900	RUBBER TAIL LIGHT	RUBBER TAIL LIGHT	4	
	90302	90302-LLB1-E00	BOLT-WASHER 5*12	BOLT-WASHER 5*12	1	
	90304	90304-GLW0-90A	NUT U FLANGE 10MM	NUT U FLANGE 10MM	1	
#	92101	92101-06012-0G	BOLT HEX 6*12 (K)	BOLT HEX 6*12 (K)	1	
	94050-08080	94050-08080	NUT FLANGE 8MM	NUT FLANGE 8MM	2	
	94050-10080	94050-10080	NUT FLANGE 10MM	NUT FLANGE 10MM	2	
#	95701-06012	95701-06012-06	BOLT FLANGE 6*12	BOLT FLANGE 6*12	4	
	95701-08016	95701-08016-06	BOLT FLANGE 8*16	BOLT FLANGE 8*16	4	
#	95801-10025	95801-10025-06	BOLT FLANGE 10*25	BOLT FLANGE 10*25	1	
	95801-10160	95801-10160-06	BOLT FLANGE 10*160	BOLT FLANGE 10*160	1	

F24

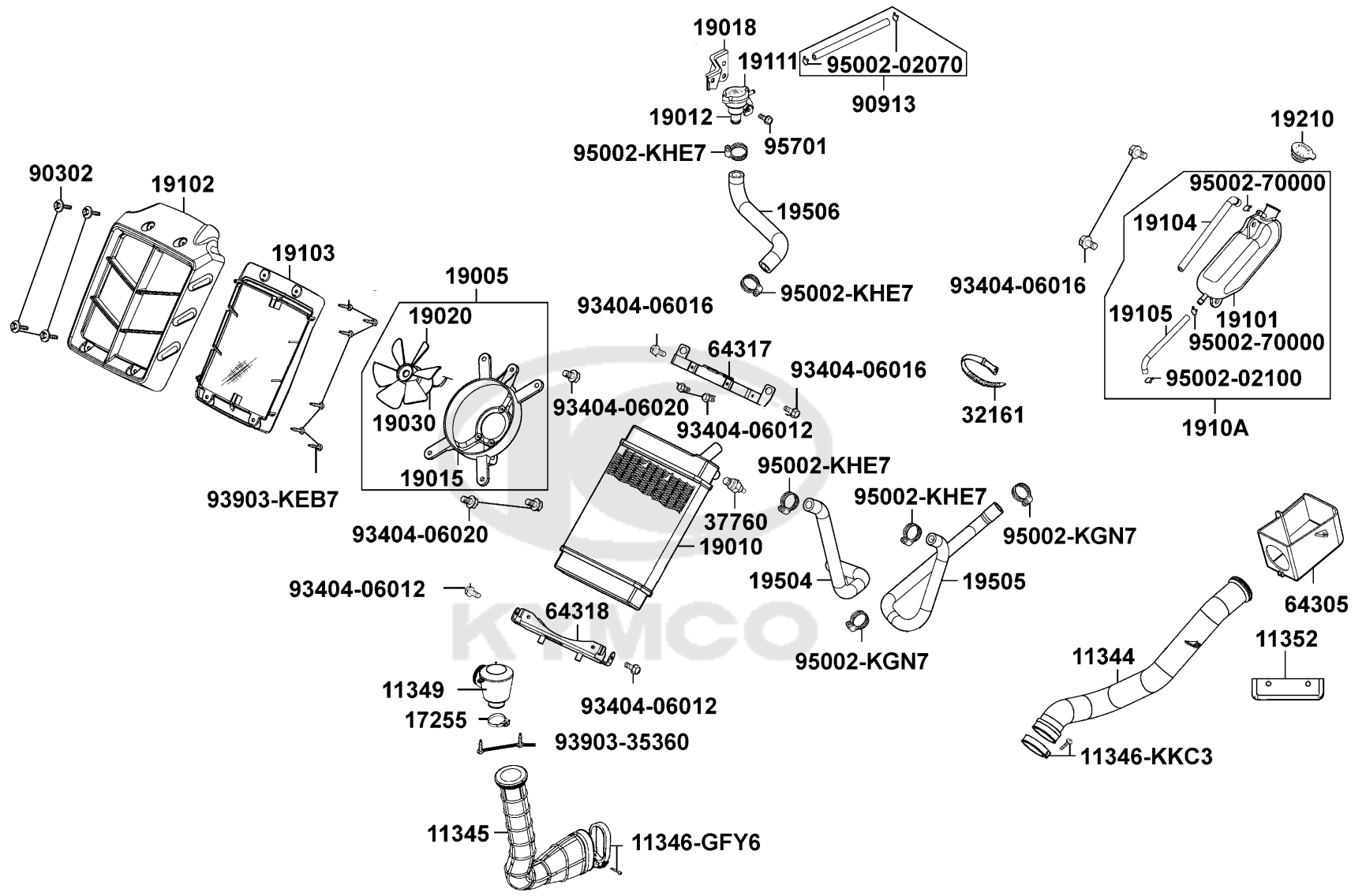
Radiator



Sales mark	Ref no	Part no	Description	Reg description	Regd no	F24
	11344	11344-LBA7-900	DUCT B L COVER	DUCT B L COVER	1	
	11345	11345-LDF3-E00	DUCT A L COVER	DUCT A L COVER	1	
	11346-GFY6	11346-GFY6-901	BAND L COVER DUCT	BAND L COVER DUCT	1	
	11346-KKC3	11346-KKC3-900	BAND L COVER DUCT	BAND L COVER DUCT	1	
	11349	11349-LDF3-E00	INLET BOX L COVER	INLET BOX L COVER	1	
	11352	11352-LBA7-900	COVER DUCT B L COVER	COVER DUCT B L COVER	1	
	17255	17255-LCA5-E00	BAND A CONNECTING TUBE	BAND A CONNECTING TUBE	1	
	19005	19005-LBA7-900	SHROUD ASSY	SHROUD ASSY	1	
	19010	19010-LBA7-900	RADIATOR COMP	RADIATOR COMP	1	
	19012	19012-KHD8-900	UNIT RADIATOR	UNIT RADIATOR	1	
	19015	19015-KKC4-900	SHROUD COMP	SHROUD COMP	1	
	19018	19018-LBA7-900	STAY UNIT RADIATOR	STAY UNIT RADIATOR	1	
	19020	19020-KED9-900	FAN COOLING	FAN COOLING	1	
	19030	19030-LBA7-900	MOTOR ASSY FAN	MOTOR ASSY FAN	1	
	19101	19101-LBA7-900	TANK RESERVE	TANK RESERVE	1	
**	19102	19102-LBA7-910	DUCT.COOLING AIR	DUCT.COOLING AIR	1	
	19103	19103-PWA1-900	GRID RADIATOR	GRID RADIATOR	1	
	19104	19104-LBA7-900	HOSE ASSY DRAIN	HOSE ASSY DRAIN	1	
	19105	19105-LBA7-900	HOSE ASSY RESERVE TANK-PRESSURE	HOSE ASSY RESERVE TANK-PRESSURE	1	
	1910A	1910A-LBA7-900	TANK ASSY RESERVE	TANK ASSY RESERVE	1	

F24

Radiator

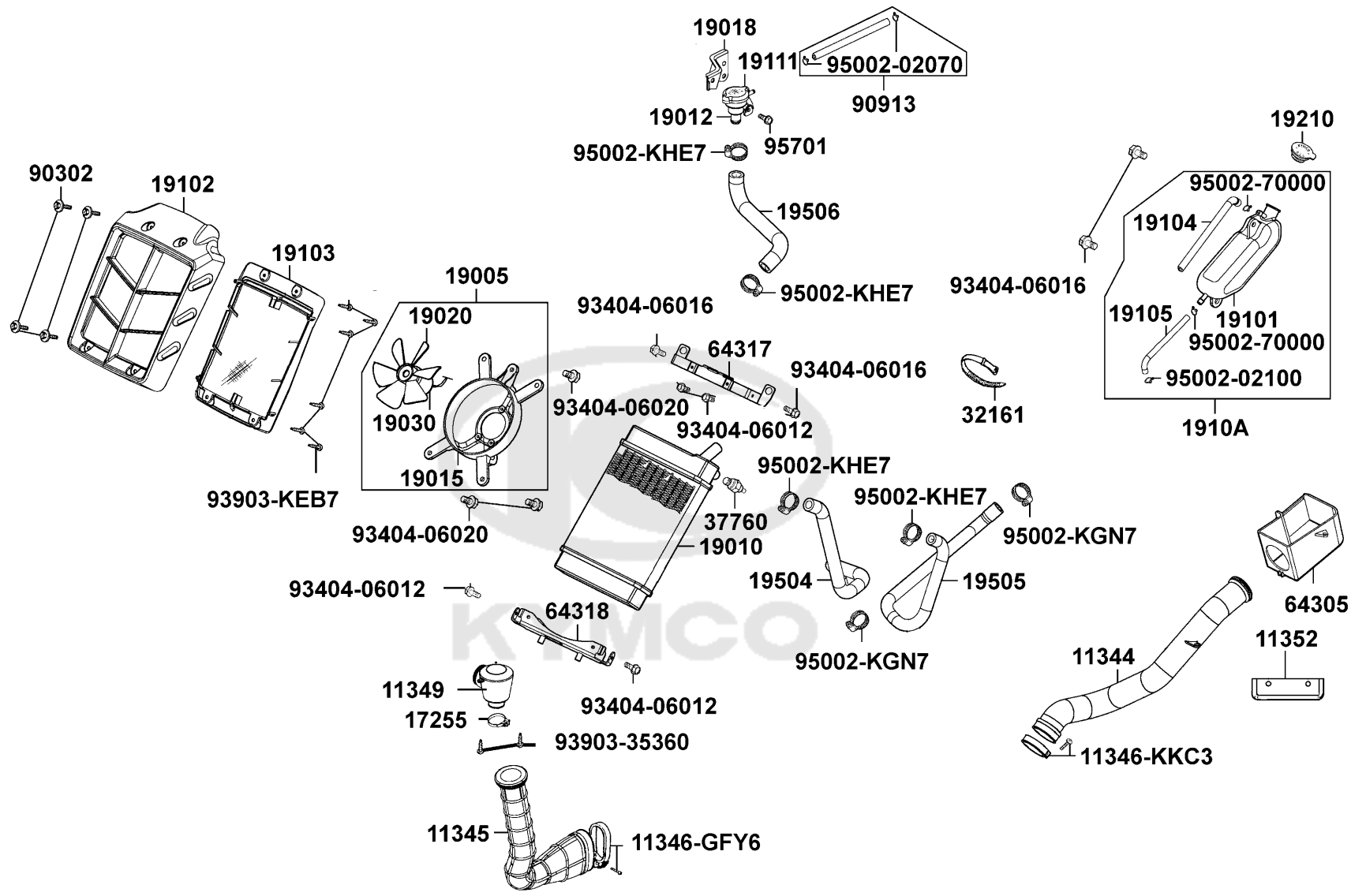




Sales mark	Ref no	Part no	Description	Reg description	Regd no	F24
	19111	19111-GBE2-004	CAP COMP	CAP COMP	1	
	19210	19210-KKC4-900	CAP RESERVE TANK	CAP RESERVE TANK	1	
	19504	19504-LBA7-900	HOSE WATER D RADIATOR-ENG	HOSE WATER D RADIATOR-ENG	1	
	19505	19505-LBA7-900	HOSE WATER F ENG-RADIATOR	HOSE WATER F ENG-RADIATOR	1	
	19506	19506-LBA7-900	HOSE WATER G RADIATOR-PRESSURE	HOSE WATER G RADIATOR-PRESSURE	1	
	32161	32161-4D04-001	BAND BI WIRE	BAND BI WIRE	1	
	37760	37760-KHD8-900	SW ASSY THERMO	SW ASSY THERMO	1	
	64305	64305-LBA7-900	CASE DUCT B L COVER	CASE DUCT B L COVER	1	
	64317	64317-LBA7-900	STAY RADIATOR UP	STAY RADIATOR UP	1	
	64318	64318-LBA7-900	STAY RADIATOR BOTTOM	STAY RADIATOR BOTTOM	1	
	90302	90302-GFY6-901	BOLT WASH 5*12	BOLT WASH 5*12	4	
	90913	90913-LBA7-900	TUBE ASSY WATER PUMP-PRESSURE	TUBE ASSY WATER PUMP-PRESSURE VALVE	1	
#	93404-06012	93404-06012-06	BOLT WASHER 6*12 (G)	BOLT WASHER 6*12 (G)	1	
	93404-06016	93404-06016-06	BOLT WASHER 6*16	BOLT WASHER 6*16	4	
#	93404-06020	93404-06020-06	BOLT WASHER 6*20 (G)	BOLT WASHER 6*20 (G)	3	
	93903-35360	93903-35360	SCREW TAPPING 5*16	SCREW TAPPING 5*16	2	
	93903-KEB7	93903-KEB7-900-06	SCREW WASHER 4*12 (G)	SCREW WASHER 4*12 (G)	6	
	95002-02070	95002-02070	CLIP B7 TUBE	CLIP B7 TUBE	2	
	95002-02100	95002-02100	CLIP B15 TUBE	CLIP B15 TUBE	1	
	95002-70000	95002-70000	CLIP C11 TUBE	CLIP C11 TUBE	2	

F24

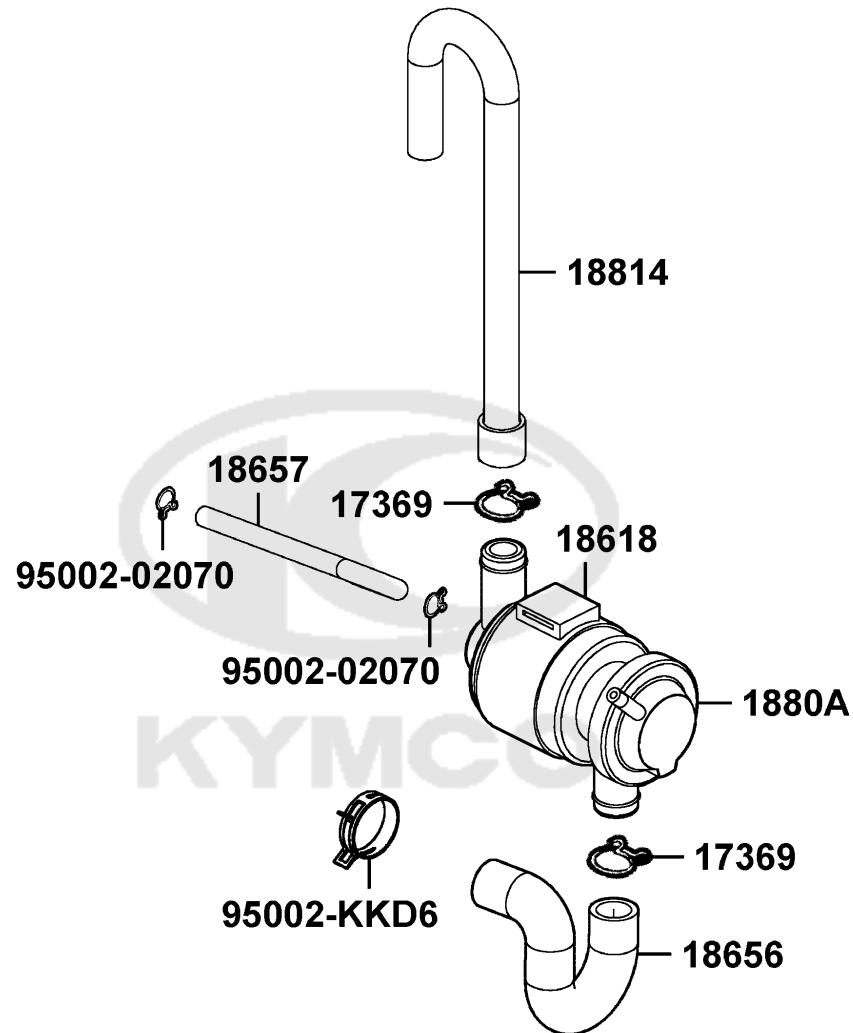
Radiator



Sales mark	Ref no	Part no	Description	Reg description	Regd no	<b>F24</b>
------------	--------	---------	-------------	-----------------	---------	------------

	95002-KGN7	95002-KGN7-910	CLIP TUBE	CLIP TUBE	2	
#	95002-KHE7	95002-KHE7-900	CLIP WATER HOSE	CLIP WATER HOSE	4	
#	95701	95701-06012-06	BOLT FLANGE 6*12	BOLT FLANGE 6*12	5	

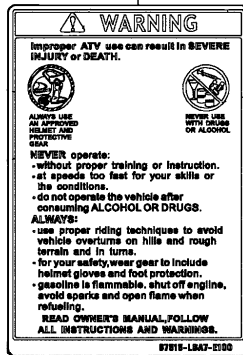




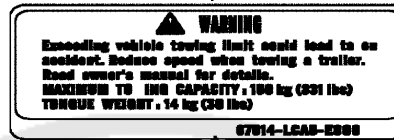
Sales mark	Ref no	Part no	Description	Reg description	Regd no	F25
17369		17369-KDB4-671	CLIP BREATHER TUBE	CLIP BREATHER TUBE	2	
18618		18618-LLF5-90A	RUBBER AICV MOUNT	RUBBER AICV MOUNT	1	
18656		18656-LBA7-E00	DUCT AICV-REED VALVE	DUCT AICV-REED VALVE	1	
18657		18657-LBA7-E00	TUBE ASSY VACUUM	TUBE ASSY VACUUM	1	
1880A		1880A-LBA7-E0A	AI/C-AICV ASSY	AI/C-AICV ASSY	1	
18814		18814-LBA7-E00	DUCT AIR-AICV	DUCT AIR-AICV	1	
95002-02070		95002-02070	CLIP B7 TUBE	CLIP B7 TUBE	2	
95002-KKD6		95002-KKD6-E05	CLAMP D18 TUBE	CLAMP D18 TUBE	1	



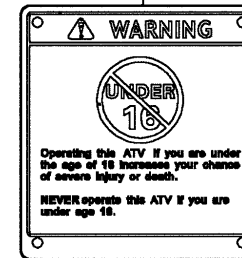
87515



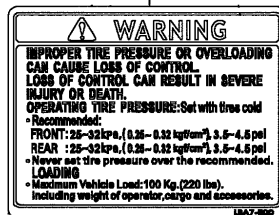
87514



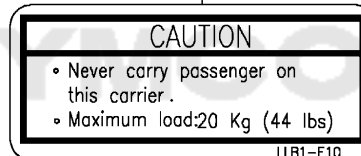
87517



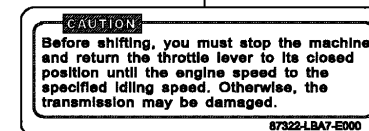
87505



87556

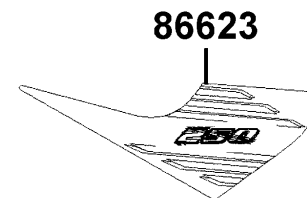
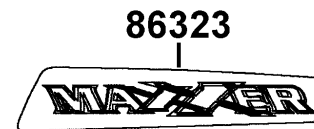
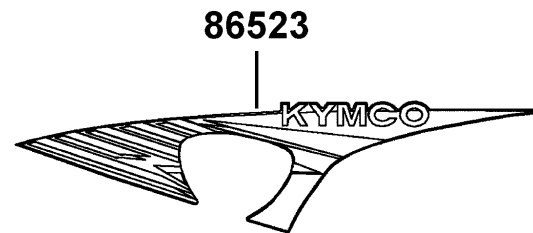
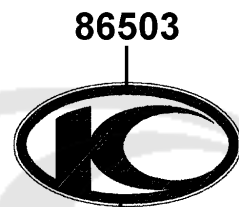
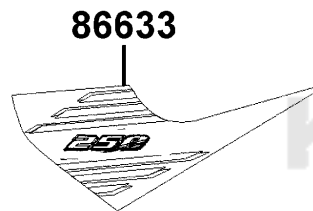
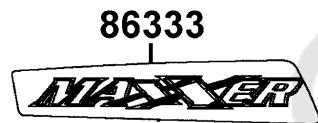
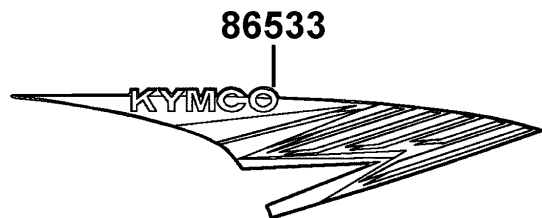


87322



Sales mark	Ref no	Part no	Description	Reg description	Regd no	<b>F26</b>
**	87322	87322-LBA7-E00	CAUTION SHIFIT GEARS	CAUTION SHIFIT GEARS	1	
**	87505	87505-LBA7-E01	LABEL TIRE ON ROAD	LABEL TIRE ON ROAD	1	
**	87514	87514-LCA5-E00	CAUTION MAXIMUM CAPACITY	CAUTION MAXIMUM CAPACITY	1	
**	87515	87515-LBA7-E01	CAUTION LIST ON ROAD	CAUTION LIST ON ROAD	1	
**	87517	87517-LBA7-E00	CAUTION DRIVE AGE	CAUTION DRIVE AGE	1	
**	87556	87556-LLB1-E01	CAUTION DRIVE AGE	CAUTION DRIVE AGE	1	







Sales mark	Ref no	Part no	Description	Reg description	Regd no	<b>F27</b>
**	86323	86323-LDF3-E61	STRIPE R SIDE COVER	STRIPE R SIDE COVER	1	
**	86333	86333-LDF3-E61	STRIPE L SIDE COVER	STRIPE L SIDE COVER	1	
**	86503	86503-LDF3-900	STRIPE K-LOGO 30 MM	STRIPE K-LOGO 30 MM	1	
**	86523	86523-LDF3-E61	STRIPE R FR FENDER/KYMCO	STRIPE R FR FENDER/KYMCO	1	
**	86533	86533-LDF3-E61	STRIPE L FR FENDER/KYMCO	STRIPE L FR FENDER/KYMCO	1	
**	86623	86623-LDF3-E61	STRIPE R RR FENDER/250	STRIPE R RR FENDER/250	1	
**	86633	86633-LDF3-E61	STRIPE L RR FENDER/250	STRIPE L RR FENDER/250	1	



## PART NO. INDEX

PART NO.	VERSION	PAGE	PART NO.	VERSION	PAGE	PART NO.	VERSION	PAGE	
<b>1000</b>			11221-LBA7-900	1	E07	12391-KHE7-900	0	E02	
			11330-LBA7-900	9	E04	12431-LBA7-E00	4	E07	
			11341-LBA7-900	7	E01				
	1010-43FH-9900	0	E08	11342-LBA7-900	2	E01	<b>13000</b>		
	1012-382H-0140	0	E08	11344-LBA7-900	2	F24			
	1014-840-2000	0	E08	11345-LDF3-E00	1	F24	1300A-PWA1-305	3	E03
	1020-54D0-9900	0	E08	11346-GFY6-901	0	F24	13011-KHE7-900	0	E03
	1031-KN4H-6511	0	E08	11346-KKC3-900	0	F24	13101-KHE7-900	6	E03
	103J-061H-9901	0	E08	11347-LBA7-900	5	E05	13111-KHE7-900	2	E03
	1051-KCSH-9200	0	E08	11348-LBA7-900	5	E01	13422-LBA7-900	4	E03
	105J-092H-9911	0	E08	11349-LDF3-E00	2	F24			
	106B-KPS0-0003	0	E08	11352-LBA7-900	1	F24	<b>14000</b>		
	1113-HB7H-6710	0	E08	11394-LBA7-900	4	E04			
	120A-106H-9901	0	E08	11395-LBA7-900	1	E01	14100-LBA7-900	2	E02
	1230-846-2000	0	E08				14401-KHE7-90A	0	E03
	1300-KG8H-9010	0	E08	<b>12000</b>			14401-KHE7-90B	0	E03
	1300-KG8H-Q010	0	E08				14431-KHE7-900	0	E02
	1305-491H-9901	0	E08	12100-KHE7-900	6	E03	14450-KEBE-900	1	E02
	1782-013H-9900	0	E08	12191-KHE7-910	2	E03	14461-KHE7-900	0	E02
1795-KG8H-9011-3	0	E08	12200-KHE7-900	3	E02	14510-KHE7-900	0	E03	
<b>11000</b>			12205-KHE8-301	5	E02	14520-GFY6-90A	1	E03	
			12209-GDB4-68B	0	E02	14523-KED9-900	1	E03	
			1221A-KHE7-900	1	E02	14531-KHE7-900	1	E03	
	11100-LBA7-900	4	E01	12251-KHE7-901	2	E02	14610-KHE7-900	0	E03
	11192-LBA7-900	4	E01	12310-KHE7-900	2	E02	14711-KHE7-900	0	E02
11200-LBA7-900	7	E01	12361-GFY6-901	1	E04	14721-KHE7-900	1	E02	

## PART NO. INDEX

PART NO.	VERSION	PAGE	PART NO.	VERSION	PAGE	PART NO.	VERSION	PAGE
14751-KHE7-900	0	E02	16119-MZ2-6000-K2	0	E08	17524-LLB1-900	1	F10
14761-KHE7-900	0	E02	16162-KG8-9010-M1	0	E08	1760A-LBA7-900	2	F10
14771-GDB4-680	2	E02	1691A-GFY6-90A	4	F10	17611-2F86-001	0	F23
14775-MFA6-001	0	E02	16950-LBA7-910	2	F10	1763A-LCA5-MY0	1	F10
14781-MFA6-001	0	E02	16951-LBA7-900	3	F10	17700-LBA7-900	6	F05
			16952-LLB1-900	1	F10	17705-LBA7-900	1	F05
<b>15000</b>			<b>17000</b>			17720-LBA7-900	1	F05
15100-LBA7-900	1	E06				17910-LBA7-900	1	F03
15133-KAM1-001	1	E06	1711A-LBA7-E00	1	E02	17950-LBA7-900	2	F03
15141-KKJ9-004	0	E06	17214-LBA7-900	2	F13	17957-LBA7-900	1	F10
15421-1G07-001	1	E04	1721A-LBA7-900	3	F13	<b>18000</b>		
15426-GAE1-921	0	E04	17231-LBA7-900	4	F13			
15441-1K49-001	0	E03	17237-KED9-900	3	F13	18291-LBA7-900	2	F14
15447-1K49-001	0	E03	1723A-LBA7-900	4	F13	18293-LBA7-E00	1	F14
1565A-KKAK-900	0	E04	17246-LBA7-900	2	F13	18294-KTCT-900	0	F14
15661-LBA7-900	1	E04	17255-KKAK-900	0	F13	18294-LBA7-E00	0	F14
15711-KHE7-900	0	E06	17255-LCA5-E00	0	F24	1830A-LBA7-E00	5	F14
			17257-LBA7-900	4	F13	18325-LBA7-900	3	F14
<b>16000</b>			17265-LBA7-900	1	F13	18424-LBA7-E00	1	F14
			17369-KDB4-671	1	F13	18601-MAJ1-791	1	E02
16075-KG8-9010-M1	0	E08	17369-KDB4-671	1	F25	18612-GFY6-941	0	E02
16075-PC3-7810-M1	0	E08	17369-KED9-900	1	F13	18618-LLF5-90A	2	F25
16076-ND5-0040	0	E08	17369-KHC4-900	0	F13	18645-GFY6-941	0	E02
1610K-LDE9-900	1	E08	17500-LBA7-900	7	F10	18646-GFY6-941	0	E02
16115-169-0040	0	E08	17522-LLB1-900	1	F10	18647-KHE7-900	1	E02

## PART NO. INDEX

PART NO.	VERSION	PAGE	PART NO.	VERSION	PAGE	PART NO.	VERSION	PAGE
18656-LBA7-900	3	F13	19217-6G57-024	0	E04	22131-LBA7-900	1	E05
18656-LBA7-E00	2	F25	19221-KHE7-900	3	E04	22132-KHE7-900	2	E05
18657-LBA7-900	4	F13	19229-LBA7-900	1	E04	22300-LBA7-900	5	E05
18657-LBA7-E00	2	F25	19231-KKJ9-011	0	E04	22350-KHE7-900	1	E05
18658-KED9-900	2	F13	19300-KAE1-004	1	E02	22361-LEA7-E00	1	E05
1880A-LBA7-E0A	2	F25	19310-KHE7-900	2	E02	22401-LBA7-900	4	E05
18814-LBA7-E00	2	F25	19315-LBA7-900	1	E02	22530-LBA7-900	3	E05
			19502-LBA7-900	3	E04	22804-GBB2-001	0	E05
<b>19000</b>			19504-LBA7-900	2	F24			
			19505-LBA7-900	2	F24	<b>23000</b>		
19005-LBA7-900	6	F24	19506-LBA7-900	1	F24			
19010-LBA7-900	2	F24	19507-LDB5-E00	1	E04	2301A-LBA7-900	7	E05
19012-KHD8-900	4	F24				23100-KHE7-90B	3	E05
19015-KKC4-900	2	F24	<b>21000</b>			23200-KHE7-900	6	E05
19018-LBA7-900	1	F24				23211-LBA7-E00	2	E07
19020-KED9-900	1	F24	21201-LCA5-E00	2	E07	23220-LLJ3-E00	4	E05
19030-LBA7-900	2	F24	21395-LBA7-900	1	E07	23225-KHE7-900	0	E05
19101-LBA7-900	4	F24				23226-GHC8-004	0	E05
19102-LBA7-910	1	F24	<b>22000</b>			23233-LBA7-900	2	E05
19103-PWA1-900	1	F24				23237-KHE7-900	0	E05
19104-LBA7-900	3	F24	22101-LBA7-900	1	E05	23238-KHE7-900	0	E05
19105-LBA7-900	3	F24	22102-KHE7-900	3	E05	23411-PTA3-E00	2	E07
1910A-LBA7-900	5	F24	22105-LBA7-900	2	E05	23420-LBA7-900	1	E07
19111-GBE2-004	1	F24	22110-KHE7-900	6	E05	23431-LBA7-600	2	E07
19210-KKC4-900	0	F24	22112-KHE7-900	1	E05	23441-PTA3-E00	1	E07
19215-KHE7-900	0	E04	22121-LBA7-900	1	E05	23451-LBA7-900	3	E07

## PART NO. INDEX

PART NO.	VERSION	PAGE	PART NO.	VERSION	PAGE	PART NO.	VERSION	PAGE
23472-LBA7-900	2	E07						
23473-LBA7-900	0	E07	<b>28000</b>			<b>32000</b>		
23481-LBA7-900	6	E07						
23801-LBA7-900	2	E07	28101-KHE7-900	0	E06	32100-LDF3-E00	2	F21
23803-LBA7-900	1	E07	28102-KHE7-900	0	E06	32101-LLB1-800	1	F21
23811-LBA7-900	2	E07	28110-LDB2-E00	4	E06	32161-4D04-001	2	F03
			28120-LDB2-E00	0	E06	32161-4D04-001	2	F24
<b>24000</b>			<b>30000</b>			32161-LBA7-900	0	F21
24221-PTA3-E00	1	E07				32410-LBA7-900	2	E06
24241-KGB4-C00	0	E07	30400-LBA7-900	1	F21	32411-LLB1-900	5	F21
2431A-LBA7-900	3	E07	3051A-KHE7-900	2	F21	32412-LBA7-900	2	E06
24610-LLB1-900	4	E07	30700-KHE7-900	2	F21	32976-1G07-001	1	E01
24701-LBA7-900	2	E07				<b>33000</b>		
24702-LBA7-900	1	E07	<b>31000</b>					
24703-LLB1-900	1	E07				33100-LDF3-E00	2	F01
24704-LBA7-900	4	E07	31110-LBA7-90A	5	E06	33120-LDF3-E00	0	F01
24707-LBA7-900	6	E07	31120-LBA7-90A	6	E06	33130-LDF3-E00	0	F01
24710-LBA7-900	3	E07	31210-LBA7-900	2	E06	33400-LDF3-E00	1	F19
24711-LBA7-900	4	E07	31500-KHE7-90A	5	F11	33401-LDF3-E00	0	F19
24712-LBA7-900	1	F05	31500-KHE7-90B	4	F11	33406-LDF3-E00	0	F19
24720-LBA7-900	3	E07	31600-LBA7-900	6	F21	33450-LDF3-E00	1	F19
24781-LBA7-900	1	E07	3195A-LBA7-E00	1	F21	33451-LDF3-E00	0	F19
						33456-LDF3-E00	0	F19
						33600-LDF3-E00	1	F19
						33606-LDF3-E00	0	F19

## PART NO. INDEX

PART NO.	VERSION	PAGE	PART NO.	VERSION	PAGE	PART NO.	VERSION	PAGE
33650-LDF3-E00	1	F19	35350-LBA7-900	6	F15			
33656-LDF3-E00	0	F19	35357-LBA7-900	1	F15	<b>40000</b>		
33700-LBA7-E00	3	F20	35759-LBA7-900	7	E01			
33701-LBA7-E00	0	F20	35850-KHB4-90A	5	F21	40510-LBA7-E00	4	E07
33710-LBA7-900	0	F20	35850-KHB4-90B	4	F21	40525-LBA7-900	4	F18
33740-LBA7-E00	3	F20				40526-LBA7-900	2	F18
<b>34000</b>			<b>37000</b>			40527-LBA7-600	1	F18
						4052A-LBA7-910	1	F18
			37200-LBA7-E0A	3	F02	40530-LCA5-E00	0	E07
34901-KFA6-900	0	F01	37200-LBA7-E0B	1	F02			
34903-KPCP-900	0	F01	37401-LBA7-900	4	F02	<b>41000</b>		
34905-LBA7-E00	0	F19	37750-PAC1-005	0	E02			
34906-KPCP-900	0	F20	37760-KHD8-900	0	F24	41201-LBA7-900	3	F08
34909-LLB1-E00	0	F02				41211-LDF3-E00	3	F08
<b>35000</b>			<b>38000</b>			41211-LKC2-E00	1	F08
			38110-KHB4-E0A	0	F21	<b>42000</b>		
35010-LCA5-90A	2	F21	38110-KHB4-E0B	2	F21			
35010-LCA5-E0A	2	F21	38200-KEBE-900	0	F21	42302-LDF3-E00	3	F08
35111-LCA5-325-M1	0	F21	38300-KECE-900	3	F21	42610-LBA7-900	7	F08
35111-LCA5-326-M1	0	F21				42610-LKC2-E00	1	F08
35111-LLB1-327-M1	0	F21	<b>39000</b>			42705-LBA7-90C	2	F08
35111-LLB1-328-M1	0	F21				42705-LBA7-90D	3	F08
3520A-LDF3-E00	1	F03	3900A-LBA7-900	2	F21	4270A-LBA7-900	1	F08
35340-LBA7-900	1	F04	39100-LBA7-E00	1	F21	42710-LBA7-91A	0	F08
35350-KNBN-901	0	F04				42710-LBA7-91B	0	F08

## PART NO. INDEX

PART NO.	VERSION	PAGE	PART NO.	VERSION	PAGE	PART NO.	VERSION	PAGE
42753-KNBN-90B	1	F07	43512-LBA7-M30	0	F15	45105-LBA7-305	0	F07
42753-KNBN-90B	1	F08	4351A-KFW6-000	0	F15	45105-LEC1-305	0	F08
<b>43000</b>			43530-KKC4-305	1	F04	45107-KFA6-900	0	F07
			43600-LBA7-E00	3	F15	45107-LEC1-E00	0	F08
			<b>44000</b>			45108-LBA7-900	0	F07
						45108-LEC1-E00	0	F08
43100-LBA7-900	5	F08			45109-KFA6-900	0	F07	
43100-LEC1-E00	4	F08			45109-KKC4-900	0	F08	
43110-LBA7-900	0	F08	44311-LBA7-900	1	F07	45109-LEC1-E00	0	F08
43110-LEC1-E00	0	F08	44312-LBA7-900	1	F07	45110-LBA7-305	0	F07
43125-LBA7-E00	3	F04	44313-LBA7-900	1	F07	45115-KKC4-900	0	F08
43127-LBA7-E00	2	F04	44620-PWA2-900	1	F16	45116-LEC1-E00	0	F08
43128-LBA7-900	1	F04	44620-PWA2-900	1	F17	45117-LEC1-E00	0	F08
43140-LEC1-E00	0	F08	44621-LBA7-900	1	F18	45121-PRB3-900	4	F07
43143-LEC1-E00	0	F08	44705-LBA7-90B	0	F07	45125-LDF3-E00	1	F04
43146-LEC1-E00	0	F08	44705-LBA7-90C	2	F07	45127-LDF3-900	3	F04
43147-LEC1-E00	0	F08	44705-LBA7-90D	3	F07	45128-LBA7-900	4	F04
43350-LDF3-E00	2	F08	4470A-LBA7-305	0	F07	45129-LBA7-900	4	F04
43350-LKC2-E00	1	F08	44710-LBA7-91A	0	F07	45130-LBA7-E00	2	F04
43351-LBA7-900	4	F08	44710-LBA7-91B	0	F07	45131-PRB3-900	4	F07
43352-5H68-004	3	F08	44830-LBA7-E00	4	F02	45132-LBA7-900	1	F04
43353-4A61-77A	0	F08	<b>45000</b>			45133-LBA7-900	0	F07
43353-LBA7-900	3	F08				45133-LEC1-E00	0	F08
4335B-LEC1-E00	1	F08				45200-LBA7-900	5	F07
43450-LEC1-E00	5	F04	45100-LBA7-900	5	F07	45203-KKC4-900	0	F08
43500-LBA7-E00	1	F15	45103-MGR7-007	0	F08	45203-LBA7-900	0	F07
43503-KGC4-E01	2	F15	45105-KKC4-305	0	F08			

## PART NO. INDEX

PART NO.	VERSION	PAGE	PART NO.	VERSION	PAGE	PART NO.	VERSION	PAGE
45203-LEC1-E00	0	F08	46503-KCW3-001	0	F15			
45207-KKC4-900	0	F08	46504-MBB2-007	0	F15	<b>51000</b>		
45208-KKC4-900	0	F08	46513-KED9-900	1	F15			
45209-KFA6-900	0	F07				51400-PWA2-900	2	F16
45209-KFA6-900	0	F08	<b>47000</b>			51400-PWA2-900	2	F17
45210-LBA7-305	0	F07				51406-LDF3-E00	1	F22
45232-LEC1-E00	0	F08	47400-LBA7-900	5	F16	51407-LDF3-E00	1	F22
45352-LBA7-900	0	F07	47500-LBA7-900	5	F17	51408-LDF3-E00	1	F23
45353-LBA7-900	0	F07				51409-LDF3-E00	1	F23
45513-KKC4-900	0	F04	<b>50000</b>			<b>52000</b>		
45517-KFAF-910	0	F04						
45517-LDE9-E00	0	F04	50100-LDF3-E00	6	F22			
45520-KKC4-900	0	F04	50166-LBA7-900	3	F23	52000-LEC1-E00	1	F18
45525-LBA7-900	0	F04	50172-LBA7-E00	1	F22	52101-LLB1-900	2	F18
45526-LBA7-900	0	F04	50194-LBA7-E00	8	F23	52108-KEE5-004	2	F18
45527-LBA7-900	0	F04	50219-LBA7-E00	2	F22	52108-KFW6-901	1	F15
45530-LBA7-305	0	F04	50306-LBA7-900	3	F08	52144-LBA7-900	1	F18
45531-GAR1-951	0	F08	50307-LBA7-900	2	F08	52171-LBA7-900	3	F15
45531-LBA7-900	0	F07	50328-LBA7-900	1	F11	52174-LBA7-900	3	F22
45531-LEC1-E00	0	F08	50351-LBA7-900	1	F22	52175-LBA7-900	2	F22
45535-LBA7-900	0	F04	50405-LDF3-E00	4	F23	52200-LBA7-900	5	F18
			50406-LDF3-E00	4	F23	52242-LBA7-900	5	F18
<b>46000</b>			50612-LBA7-900	4	F12	5231A-LBA7-600	2	F18
46500-LBA7-900	3	F15				52400-PWA2-900	2	F18
46503-KCW3-001	0	F08						



## PART NO. INDEX

PART NO.	VERSION	PAGE	PART NO.	VERSION	PAGE	PART NO.	VERSION	PAGE	
<b>53000</b>			53550-PWA2-900	2	F17	64316-KEB7-900	0	F12	
			53600-KKAK-E0A	1	F21	64317-LBA7-900	3	F24	
			53700-LCA5-E00	4	F06	64318-LBA7-900	3	F24	
	53100-LDF3-E00	3	F03	53701-LCA5-E00	1	F06			
	53102-LDF3-E00	3	F03	53702-LLB1-900	8	F06	<b>77000</b>		
	53106-KFC8-900	2	F03	53703-LLB1-900	8	F06			
	5312A-LBA7-900	6	F03				77200-LBA7-900	4	F09
	53131-4K39-001	0	F03	<b>60000</b>			77303-LLB1-900	3	F09
	53132-LLB1-900	6	F03				77330-LDF3-E00	1	F23
	53166-PTA7-900	3	F03	60100-LDF3-E00	2	F05			
	53175-LBA7-305	0	F04	60100-LDF3-E01	0	F05	<b>80000</b>		
	53178-KFC8-E10	0	F04	60120-LBA7-900	5	F05			
	53190-LDE9-E00	0	F04				80106-LBA7-900	2	F12
	53192-LDE9-E00	0	F04	<b>61000</b>			80108-LBA7-900	2	F12
	53193-LDE9-E00	0	F04				80109-LBA7-900	0	F12
	53194-LDE9-E00	0	F04	61104-3G57-001	0	F02	8010A-LBA7-900	4	F12
	53200-LBA7-E00	5	F06	61104-3G57-001	0	F03	80110-LBA7-900	1	F12
	53205-LDF3-E00	2	F03	61104-3G57-001	0	F10	80121-LBA7-910	1	F12
	53250-LBA7-900	2	F06	61104-3G57-001	0	F23	80122-LBA7-910	1	F12
53251-LCA5-E00	1	F06				80130-LBA7-910	1	F12	
53252-LBA7-900	4	F06	<b>64000</b>						
53254-LBA7-900	3	F06				<b>81000</b>			
53400-PWA2-900	3	F16	64201-KHE1-B50	0	F03				
53402-LBA7-900	1	F18	64305-LBA7-900	3	F24	81202-LBA7-E00	1	F23	
53450-PWA2-900	2	F16	64307-LDF3-E01	1	F19				
53500-PWA2-900	3	F17	64308-LDF3-E01	1	F19				

## PART NO. INDEX

PART NO.	VERSION	PAGE	PART NO.	VERSION	PAGE	PART NO.	VERSION	PAGE
<b>83000</b>			86633-LDF3-E61	4	F27	90001-GBHB-711	3	E01
			<b>87000</b>			90001-GFY6-901	4	E01
83500-LBA7-910	1	F12				90005-KED9-900	2	E03
83600-LBA7-910	1	F12	87322-LBA7-E00	3	F26	90012-3C33-001	1	E02
83620-LBA7-900	2	F22	87505-LBA7-E01	3	F26	90031-KEBE-900	0	E01
<b>84000</b>			87514-LCA5-E00	1	F26	90032-KEBE-900	0	E01
			87515-LBA7-E01	1	F26	90033-GFY6-900	1	E02
			87517-LBA7-E00	2	F26	90071-MLB0-001	0	E06
84703-LLB1-900	1	F03	87556-LLB1-E01	2	F26	90084-4H28-001	0	E04
84703-LLB1-900	1	F23				9008A-LBA7-900	2	E04
<b>85000</b>			<b>88000</b>			90101-LBA7-900	3	E07
						90104-LBA7-900	3	F08
			88110-LDF3-E01	1	F03	90105-LBA7-900	1	F07
85100-LDF3-E00	4	F22	88120-LDF3-E01	1	F03	90105-LBA7-900	1	F08
<b>86000</b>			<b>89000</b>			90105-MLL0-731	1	F07
						90105-MLL0-731	1	F08
			89010-LBA7-900	4	F09	90106-KFC2-900	0	F03
86323-LDF3-E61	4	F27				90106-LBA7-900	2	F08
86333-LDF3-E61	4	F27	89020-KKC4-900	1	F09	90110-LLB1-800	2	F05
86503-LDF3-900	1	F27				90110-LLB1-800	2	F12
86523-LDF3-E61	4	F27	<b>90000</b>			90111-KKD7-900	1	F18
86533-LDF3-E61	4	F27				90112-KNBN-901	1	F12
86623-LDF3-E61	3	F27	90001-GBHB-661	3	E03	90114-1F66-007	2	F04
86623-LDF3-E61	4	F27	90001-GBHB-661	3	E06	90114-KED9-900	3	E01
86633-LDF3-E61	3	F27	90001-GBHB-681	3	E01	90118-PVA2-900	0	F22
						90121-LBA7-900	3	F18

## PART NO. INDEX

PART NO.	VERSION	PAGE	PART NO.	VERSION	PAGE	PART NO.	VERSION	PAGE
90133-LLB1-900	1	E01	90401-KKJ9-001	0	E06	90677-GAR1-004	1	F05
90145-MKS9-61A-06	1	F04	90423-KKJ9-001	0	E04	90683-GAR1-004	4	F13
90164-0H28-900	2	F21	90432-LBA7-900	1	F08	90750-LLB1-900	2	E01
90201-KHE7-900	1	E05	90441-KDY4-901	0	E01	90753-GDB4-68A	0	F22
90201-KHR8-75A	1	E05	90441-LBA7-900	2	E01	90913-LBA7-900	1	F24
90201-KHR8-75A	1	E06	90451-LBA7-900	1	E07			
90202-1G87-001	2	E05	90452-LBA7-900	1	E07	<b>91000</b>		
90206-0A01-001	2	E02	90454-1G07-001	0	E07			
90301-LBA7-900	1	F07	90455-LBA7-900	1	E07	91001-KHV8-004	0	E01
90301-LBA7-900	1	F08	90458-LBA7-E00	1	E07	91001-KKJ9-006	0	E04
90302-GFY6-901	1	F03	90465-MDC4-001	0	E02	91002-GGA7-70A	0	E05
90302-GFY6-901	1	F05	90474-3C33-001	1	E01	91004-KHE7-900	1	E05
90302-GFY6-901	1	F24	90474-3C33-001	1	E07	91005-LBA7-900	1	E01
90302-LLB1-E00	2	F10	90478-7L00-001	0	E02	91072-LBA7-900	2	F18
90302-LLB1-E00	2	F11	90478-7L00-001	0	E04	91101-LCA5-E0B	1	E07
90302-LLB1-E00	2	F23	90501-3L10-001	0	F04	91106-LBA7-900	1	E01
90302-PWA1-900	2	F12	90501-LBA7-900	3	E05	91106-LBA7-90A	0	E01
90304-4H38-001	2	E02	9052A-GFY6-950	4	E01	91107-LBA7-900	1	E07
90304-GLW0-90A	1	F08	9052A-GFY6-950	4	E07	91107-LBA7-90A	0	E07
90304-GLW0-90A	1	F16	90545-3L00-001	2	F04	91201-9A51-004	0	E07
90304-GLW0-90A	1	F17	90605-1F66-721	0	E05	91201-KKJ9-004	0	E04
90304-GLW0-90A	1	F18	90605-KED9-900	2	E07	91202-KKC4-900	0	E01
90304-GLW0-90A	1	F22	90651-LBA7-900	1	F08	91202-KKC4-90B	1	E01
90304-GLW0-90A	1	F23	90652-LLJ3-E00	0	F13	91202-LLB1-900	1	F22
90305-GHE8-004	1	F18	90656-KCBC-900	0	F04	91206-2F86-014	0	E07
90305-MAA1-004-SY	0	F06	90656-KCBC-900	0	F22	91211-KHE7-900	0	E05

## PART NO. INDEX

PART NO.	VERSION	PAGE	PART NO.	VERSION	PAGE	PART NO.	VERSION	PAGE
91254-LBA7-900	2	F08				93600-LDE9-E00	0	F04
91254-LKC2-E00	1	F08	<b>92000</b>			93600-LEC1-E00	0	F08
91256-LLB1-900	1	E07				93892-04008-16	0	E08
91257-2L30-006	0	F07	92000-06010-0G	0	E07	93892-04010-18-3	0	E08
91257-LBA7-900	1	F07	92101-05032-0G	0	E06	93892-04016-18-3	0	E08
91258-LBA7-900	1	F16	92101-06012-0G	0	F23	93892-05012-06	0	E08
91258-LBA7-900	1	F17	92101-06020-0G	0	E07	93893-04012-18	0	F04
91258-LBA7-900	1	F18	92712-06028-0B	2	E02	93893-04012-18	0	F15
91259-LBA7-900	1	F18				93901-26110-06	1	F15
91261-4E15-004	0	E01	<b>93000</b>			93903-34360	0	F05
91301-KHE7-900	0	E02				93903-35360	0	E07
91301-LBA7-900	0	F08	93404-06012-06	0	F13	93903-35360	0	F01
91302-0A01-021	0	E04	93404-06012-06	0	F24	93903-35360	0	F02
91302-2L00-001	0	E02	93404-06016-06	0	F05	93903-35360	0	F05
91302-KHE7-900	0	E04	93404-06016-06	0	F12	93903-35360	0	F12
91302-PKA9-004	0	F08	93404-06016-06	0	F18	93903-35360	0	F19
91303-3G77-001	0	E04	93404-06016-06	0	F24	93903-35360	0	F20
91306-1E05-691	0	E03	93404-06020-06	1	F24	93903-35360	0	F24
91306-LBA7-900	2	E01	93406-LLB1-900	0	F03	93903-KEB7-900-06	1	F24
91307-0E35-001	0	E04	93500-04025-0F	0	F13			
91309-4E25-004	0	E06	93500-05016-0F	0	E02	<b>94000</b>		
91351-KHE7-900	0	E05	93500-05016-0F	0	E06			
91509-LBA7-E00	3	E07	93500-05016-1B	0	F10	94001-06080-0S	0	E02
91509-LLB1-900	3	E01	93600-04012-1A	0	F04	94001-08080-0S	0	F14
			93600-04012-1G	0	F04	94001-LLB1-800	2	F06
			93600-04040-1G	0	F15	94001-LLB1-900	2	F06

## PART NO. INDEX

PART NO.	VERSION	PAGE	PART NO.	VERSION	PAGE	PART NO.	VERSION	PAGE
94002-06080-0S	0	E07	94101-12800	0	F17	94520-26000	0	E04
94002-08000-0S	0	F15	94102-08000	5	E07	94520-28000	0	E05
94011-12080-0S	0	F16	94102-14800	0	F15	94520-40000	0	F22
94011-12080-0S	0	F17	94111-06800	0	F14	94520-52000	0	E07
94011-LBA7-900	1	F08	94201-20120	0	F08	94540-12028	0	E07
94011-LLB1-900	4	F07	94201-20120	0	F15	94591-KFBF-900	2	E02
94012-LLB1-900	1	F06	94201-20150	0	E07	94591-LLB1-900	0	E01
94030-10080	0	F03	94201-25300	0	F06	94601-17000	0	E03
94050-05080	0	F20	94201-25300	0	F15	94601-33000	0	E05
94050-06060	0	F02	94201-30250	0	F06			
94050-06060	0	F04	94201-30250	0	F16	<b>95000</b>		
94050-06060	0	F20	94201-30250	0	F17			
94050-06060	0	F22	94201-30300	0	F07	95002-02070	0	F24
94050-06080	0	F10	94201-30300	0	F08	95002-02070	0	F25
94050-06080	0	F21	94251-08400	0	F08	95002-02080	0	F10
94050-08080	0	E02	94301-08060	0	F08	95002-02100	0	F05
94050-08080	0	F14	94301-08140	0	E01	95002-02100	0	F10
94050-08080	0	F23	94301-08140	0	E04	95002-02100	0	F24
94050-10080	0	F23	94301-10160	0	E01	95002-02150	0	E07
94050-LDE9-E00	1	F05	94301-10160	0	E02	95002-02150	0	F13
94101-06200	0	F14	94301-10160	0	E03	95002-41300-00	0	F10
94101-06800	0	F02	94301-10160	0	E04	95002-70000	0	F24
94101-08800	0	F15	94301-10160	0	E07	95002-KGN7-910	1	F24
94101-10800	0	F03	94510-10000	0	E06	95002-KHE7-900	0	F24
94101-10800	0	F06	94510-25000	0	E07	95002-KKD6-E05	0	F13
94101-12800	0	F16	94510-75000	0	F08	95002-KKD6-E05	0	F25

## PART NO. INDEX

PART NO.	VERSION	PAGE	PART NO.	VERSION	PAGE	PART NO.	VERSION	PAGE
95004-LBA7-900	0	F13	95701-08040-06	0	E07	96001-06012-06	0	E06
9500C-LBA7-900	2	F10	95701-08045-06	1	E07	96001-06012-06	0	F14
9500E-LBA7-900	2	F10	95701-LEC1-E00	0	F08	96001-06016-06	0	E04
95701-06012-06	1	F04	95801-08020-06	0	F08	96001-06016-06	0	E07
95701-06012-06	1	F13	95801-08035-06	1	F04	96001-06016-06	0	F08
95701-06012-06	1	F22	95801-08060-06	0	F06	96001-06018-06	0	E02
95701-06012-06	1	F23	95801-10025-06	0	F23	96001-06020-06	0	E07
95701-06012-06	1	F24	95801-10040-06	0	F16	96001-06022-06	1	E04
95701-06016-06	1	F04	95801-10040-06	0	F17	96001-06025-06	0	E01
95701-06022-06	1	F04	95801-10050-06	1	F16	96001-06028-06	0	E04
95701-06022-06	1	F10	95801-10050-06	1	F17	96001-06028-06	0	E06
95701-06022-06	1	F15	95801-10050-06	1	F18	96001-06032-06	0	E01
95701-06025-06	2	E02	95801-10057-06	2	F16	96001-06045-06	0	E04
95701-06035-06	1	F15	95801-10057-06	2	F17	96001-06050-06	0	E01
95701-06040-06	0	E02	95801-10057-06	2	F18	96001-06100-06	0	E02
95701-06055-06	0	F08	95801-10060-06	0	F18	96001-06125-06	1	E04
95701-08012-06	0	E01	95801-10085-06	1	F18	96100-60000-00	0	E04
95701-08012-06	0	E07	95801-10085-06	1	F22	96100-62040-00	0	E01
95701-08012-06	0	F21	95801-10160-06	0	F23	96100-62040-00	0	E07
95701-08016-06	0	F12	95801-LBA7-900-06	2	F18	96100-62050-00	2	E01
95701-08016-06	0	F22				96100-62050-00	2	E07
95701-08016-06	0	F23	<b>96000</b>			96100-63040-00	1	E01
95701-08020-06	1	F07				96100-63040-00	1	E07
95701-08020-06	1	F08	96001-06010-00	0	E04	96150-60000-10	0	F16
95701-08025-06	0	F14	96001-06010-06	0	E01	96150-60000-10	0	F17
95701-08028-06	1	E07	96001-06012-06	0	E01	96150-60040-10	0	F07

## PART NO. INDEX

PART NO.	VERSION	PAGE	PART NO.	VERSION	PAGE	PART NO.	VERSION	PAGE
96150-60080-10	0	F08						
96150-62020-10	0	F07	<b>D</b>					
96150-62030-10	0	F22						
96201-10000	0	F18	D1141-A63-0100	0	E08			
96211-12000	0	E01	D1310-850-0100	0	E08			
96220-40080	0	E03	D1424-KAG-0100	0	E08			
96600-08015-16	0	E06						
96600-KKC4-900	0	F08	<b>K</b>					
<b>98000</b>			K785-076-0200	0	E08			
98069-5791R-00	0	E02	<b>N</b>					
98200-31000	1	F21						
98200-31500	0	F21	N413-15A00	0	E08			
98200-33000	0	F21	N427-BSD00	0	E08			
<b>99000</b>			<b>W</b>					
99101-393-0980	0	E08	W1711-300-9901	0	E08			
<b>001000</b>			W9353-30000	0	E08			
			W9525-25250	0	E08			
			W9535-25000	0	E08			
001-C4T2-04000-K	0	E08	W9535-35000	0	E08			
			W9574-13000	0	E08			
			W9576-01000	0	E08			