



**Catálogo de Partes**



## NEOMAX (Kick starter)

Model	AN90-F1
Year	1992
Color	Black White
Engine No.	Range AN090FEA00001
Frame No.	Range AN090F-A00001

## Painted Parts List

Description	Group	Part No.	Color-Code	
			White	Black
COVER-FRAME ,LH	37	14025-1926-??	NW	SB
COVER-FRAME ,RH	37	14025-1927-??	NW	SB
COVER-FRONT	38	14025-1928-??	NW	SB
COVER-FRAME ,FR	37	14025-1936-??	NW	SB
COVER-FORK	25	14090-1146-??	NW	SB
FENDER-FRONT	25	35004-1161-??	NW	SB
COVER-SIDE ,LH	37	36001-1277-??	NW	SB
COVER-SIDE ,RH	37	36001-1278-??	NW	SB
COVER-HANDLE ,LWR	31	59441-1056-??	VP	BM
COVER-HANDLE ,UPP	31	59441-1114-??	VP	BM



## NEOMAX (Kick starter)

Model AN90-F2/F3

Year 1996

Color Green

Red

Engine No. Range AN090FEA14463

Frame No. Range AN090F-A14463

## Painted Parts List

Description	Group	Part No.	Color-Code	
			Green	Red
COVER-FRAME ,LH	37	14025-1926-??	G4	R5
COVER-FRAME ,RH	37	14025-1927-??	G4	R5
COVER-FRONT	38	14025-A050-??	G1	R1
COVER-FRAME ,FR	37	14025-1936-??	G3	R2
COVER-FORK	25	14090-1146-??	G3	R2
FENDER-FRONT	25	35004-1161-??	G3	R2
COVER-SIDE ,LH	37	36001-1277-??	G4	R5
COVER-SIDE ,RH	37	36001-1278-??	G3	R3
COVER-HANDLE ,LWR	31	59441-1056-??	G3	R2
COVER-HANDLE ,UPP	31	59441-A010-??	G1	R1



## NEOMAX (Electric start)

Model	AN90-G2/G3
Year	1996
Color	Green
	Brown
	Red
	Blue
	Black
Engine No.	Range AN090GEA04778
Frame No.	Range AN090G-A04778

## Painted Parts List

Description	Group	Part No.	Color-Code				
			Green	Brown	Red	Blue	Black
COVER-FRAME ,LH	37	14025-1926-??	G3	M4	R4	B5	K4
COVER-FRAME ,RH	37	14025-1927-??	G3	M4	R4	B5	K4
COVER-FRONT	38	14025-A050-??	G1	M1	R1	B1	K1
COVER-FRAME ,FR	37	14025-1936-??	G3	M3	R2	B4	K3
COVER-FORK	25	14090-1146-??	G3	M2	R2	B2	K3
FENDER-FRONT	25	35004-1161-??	G3	M3	R2	B4	K3
COVER-SIDE ,LH	37	36001-1277-??	G3	M4	R4	B5	K4
COVER-SIDE ,RH	37	36001-1286-??	G1	M1	R1	B1	K4
COVER-HANDLE ,LWR	31	59441-1056-??	G3	M3	R2	B4	K3
COVER-HANDLE ,UPP	31	59441-A010-??	G1	M1	R1	B1	K1



## NEOMAX (Electric start)

Model AN90-G1

Year 1993

Color Black

Gray

White

Engine No. Range AN090GEA00001

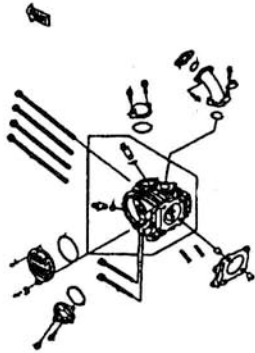
Frame No. Range AN090G-A00001

## Painted Parts List

Description	Group	Part No.	Color-Code		
			White	Gray	Black
COVER-FRAME ,LH	37	14025-1926-??	W1	C1	K3
COVER-FRAME ,RH	37	14025-1927-??	W1	C1	K3
COVER-FRONT	38	14025-1928-??	W1	C1	K3
COVER-FRAME ,FR	37	14025-1936-??	NW	C1	K3
COVER-FORK	25	14090-1146-??	NW	C1	K3
FENDER-FRONT	25	35004-1161-??	NW	C1	K3
COVER-SIDE ,LH	37	36001-1277-??	W1	C1	K3
COVER-SIDE ,RH	37	36001-1286-??	W1	C1	K3
COVER-HANDLE ,LWR	31	59441-1056-??	W1	C1	K3
COVER-HANDLE ,JPP	31	59441-1114-??	W1	C1	K3

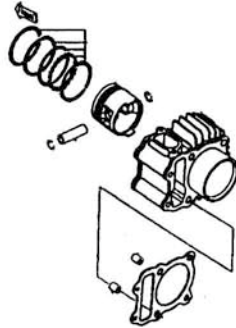
1 Cylinder Head

Page 1



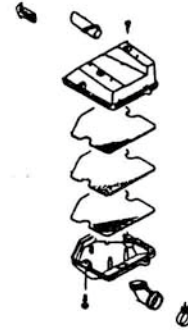
2 Cylinder/Piston

Page 2



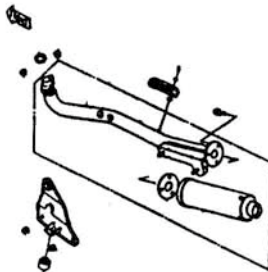
3 Air Filter

Page 3



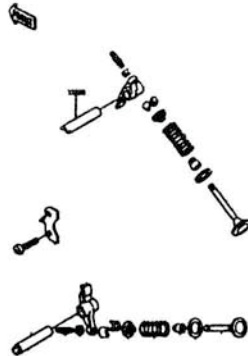
4 Muffler

Page 4



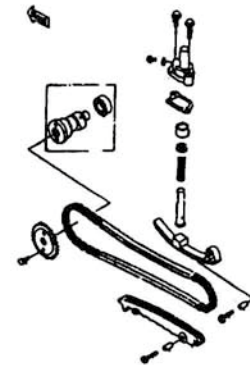
5 Valve

Page 5

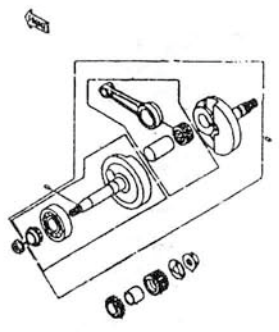


6 Camshaft/Tensioner

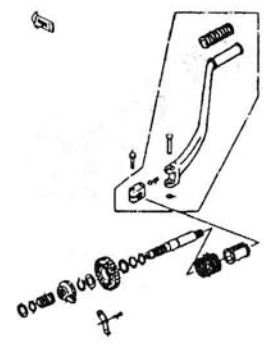
Page 6



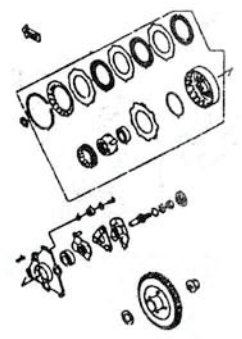
7 Crankshaft Page 7



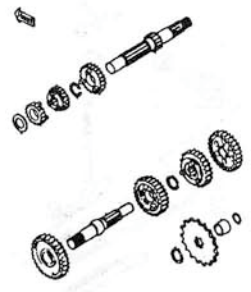
8 Kickstarter Mechanism Page 8



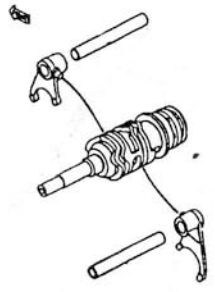
9 Clutch Page 9



10 Transmission page 11



11 Change Drum/Shift Fork Page 12

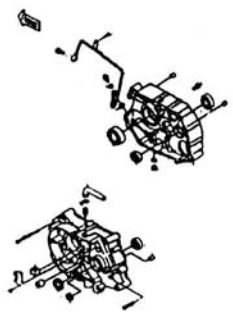


12 Gear Change Mechanism Page 13



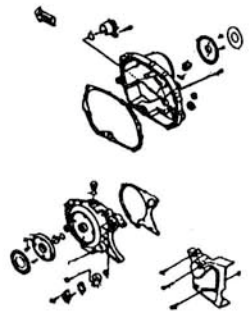
13 Crankcase

Page 14



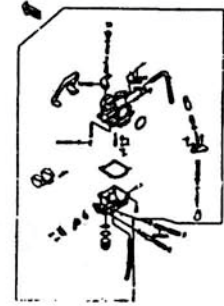
14 Engine Cover

Page 15



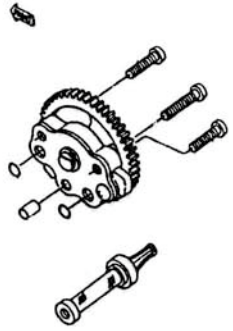
15 Carburetor

Page 17



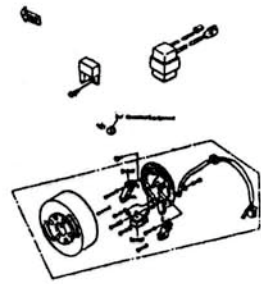
16 Oil Pump

Page 20



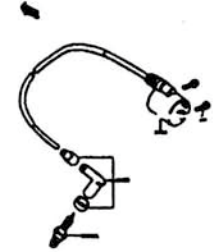
17 Generator

Page 21



18 Ignition Coil

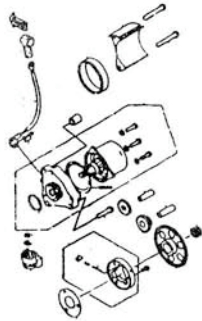
Page 22





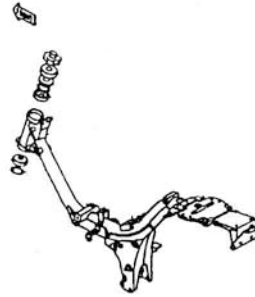
19 Starter Motor

Page 23



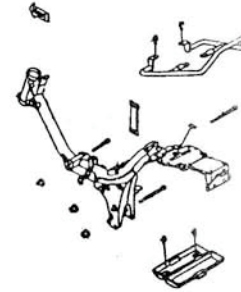
20 Frame

Page 25



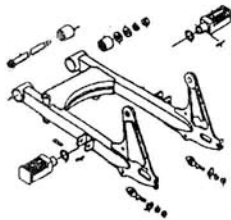
21 Frame Fitting

Page 26



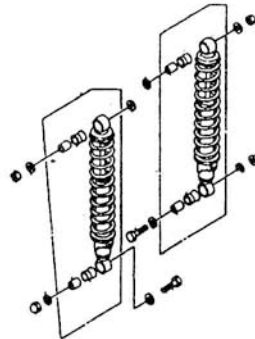
22 Swing Arm

page 27



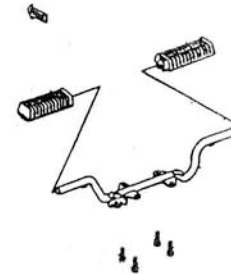
23 Suspension/Shock Absorber

Page 28



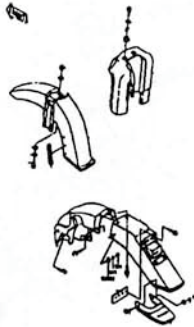
24 Step

Page 29



25 Fender

Page 30



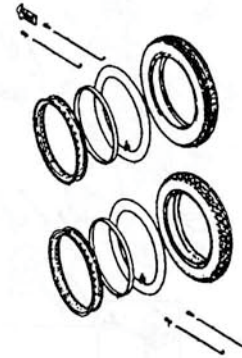
26 Stand

Page 31



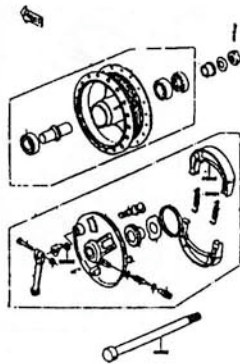
27 Tire

Page 32



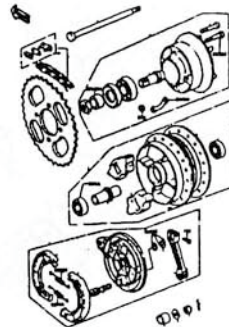
28 Front Hub

Page 33



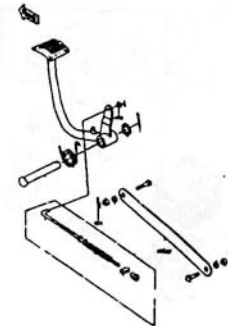
29 Rear Hub

Page 35



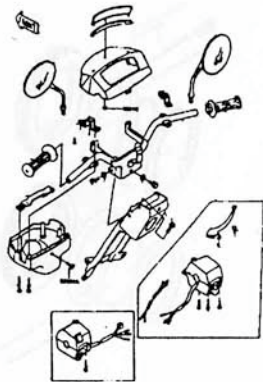
30 Brake Pedal

Page 37



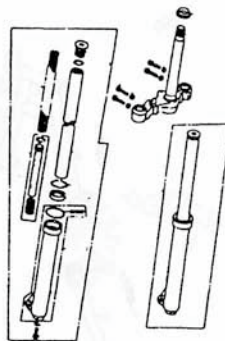
31 Handlebar

Page 38



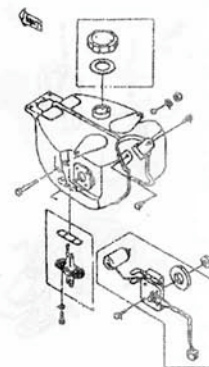
32 Front Fork

Page 40



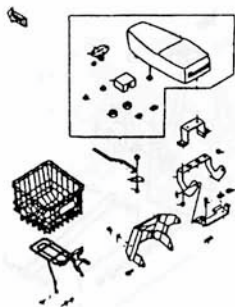
32 Fuel Tank

Page 41



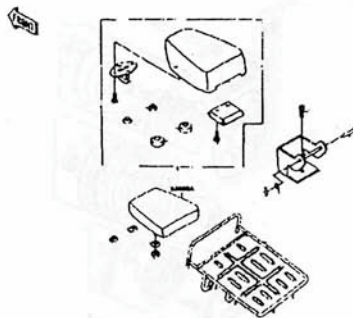
34 Seat/Carrier For AN90F1/F2/G1/G2

Page 42



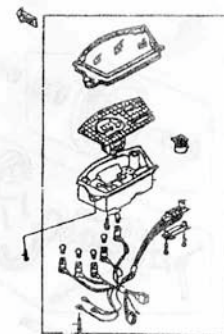
35 Seat/Carrier For AN90F3/G3

Page 44



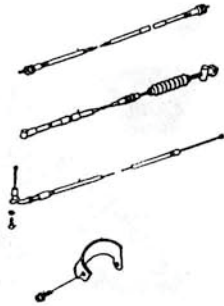
36 Meter

Page 45



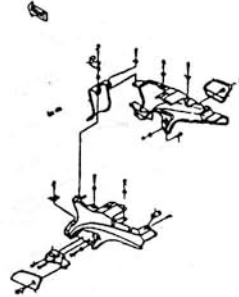
37 Cable

Page 46



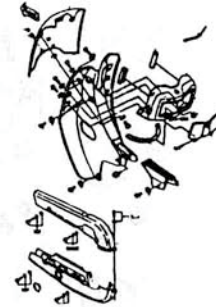
38 Side Cover

Page 47



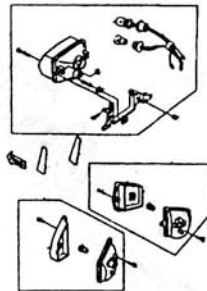
39 Leg Shield/Chain Case

Page 48



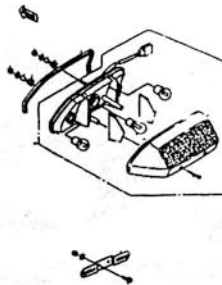
40 Head Lamp

Page 50



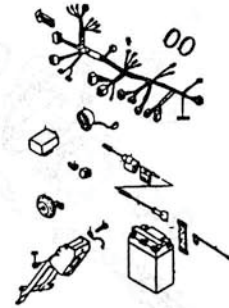
41 Tail Lamp

Page 51

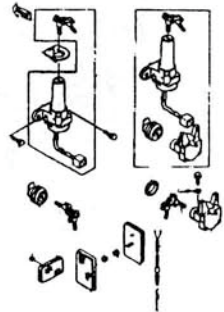


42 Electrical Equipment

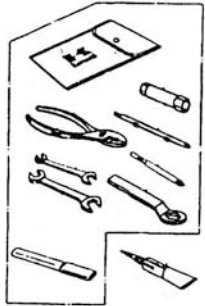
Page 52



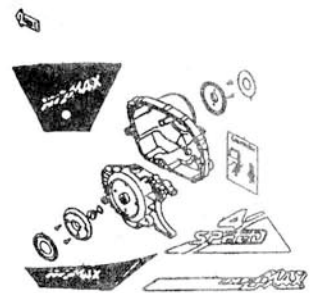
43 Ignition Switch Page 53



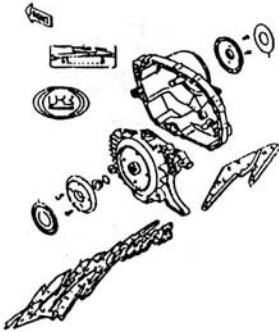
44 Tool Page 54



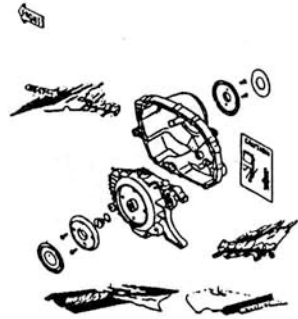
45 Label (AN90F1) Page 55



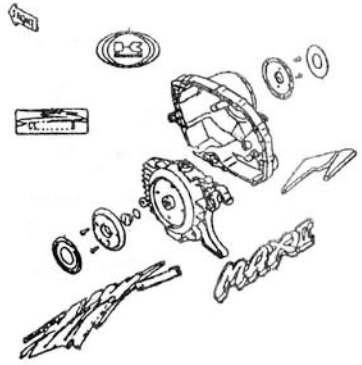
46 Label (AN90F2/F3) Page 56

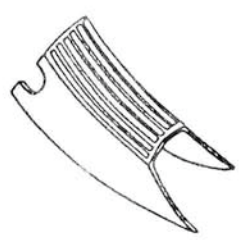


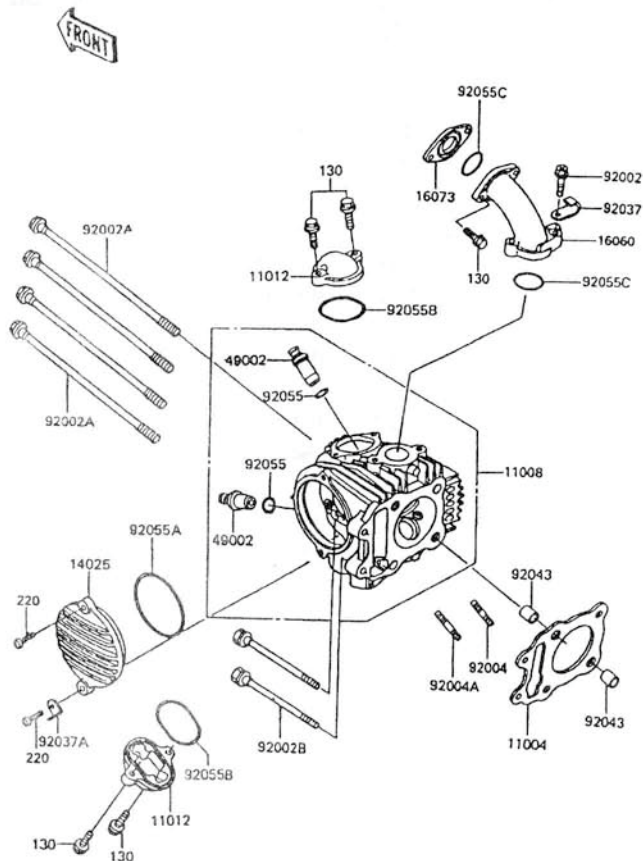
47 Label (AN90G1) Page 57



48 Label (AN90G2/G3) Page 58

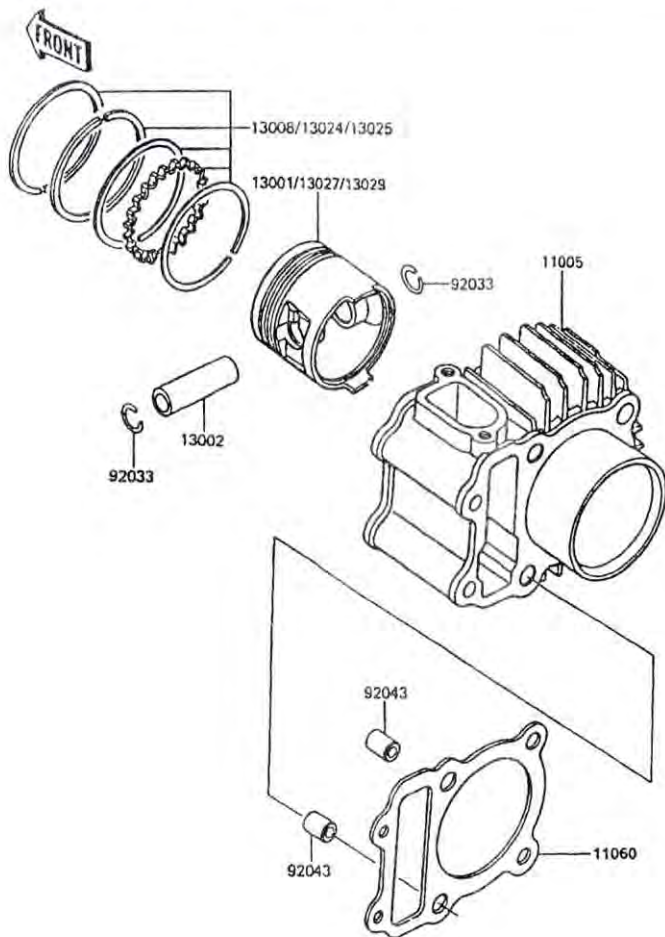


<p><input type="checkbox"/> 49 Guard-Cowling Page 59</p> 	<p><input type="checkbox"/> Page</p>	<p><input type="checkbox"/> Page</p>
<p><input type="checkbox"/> Page</p>	<p><input type="checkbox"/> Page</p>	<p><input type="checkbox"/> Page</p>



## 1. Cylinder Head

Ref.No.	Part No.	Description	Quantity-AN90					
			'92 F1	'93 G1	'96 F2	'96 G2	'96 F3	'96 G3
11004	11004-1256	Gasket-Head	1	1	1	1	1	1
11008	11008-1125	Head-Comp-Cylinder	1	1	1	1	1	1
11012	11012-1303	Cap,Valve Adjusting	2	2	2	2	2	2
14025	14025-1692	Cover,Camshaft Sprocket	1	1	1	1	1	1
16060	16060-1061	Pipe-Intake	1	1	1	1	1	1
16073	16073-1060	Insulator	1	1	1	1	1	1
49002	49002-1056	Guide-Valve	2	2	2	2	2	2
92002	92002-1235	Bolt,6X25	2	2	2	2	2	2
92002A	92002-1369	Bolt,8X177	4	4	4	4	4	4
92002B	92002-1370	Bolt,6X88	2	2	2	2	2	2
92004	92004-1127	Stud,6X18	1	1	1	1	1	1
92004A	92004-1134	Stud,6X25	1	1	1	1	1	1
92037	92037-1069	Clamp,Wiring Harness	1	1	1	1	1	1
92037A	92037-1642	Clamp	1	1	1	1	1	1
92043	92043-1264	Pin,8.2X10X14	2	2	2	2	2	2
92055	92055-1177	Ring-O,Valve Guide	2	2	2	2	2	2
92055A	92055-1178	Ring-O,68.6MM	1	1	1	1	1	1
92055B	92055-1231	Ring-O,Adjust Cap	2	2	2	2	2	2
92055C	92055-1257	Ring-O,23.8MM	2	2	2	2	2	2
130	130Y0620	Bolt-Flanged,6X20	6	6	6	6	6	6
220	220X0620	Screw-Pan-Cros,6X20	2	2	2	2	2	2

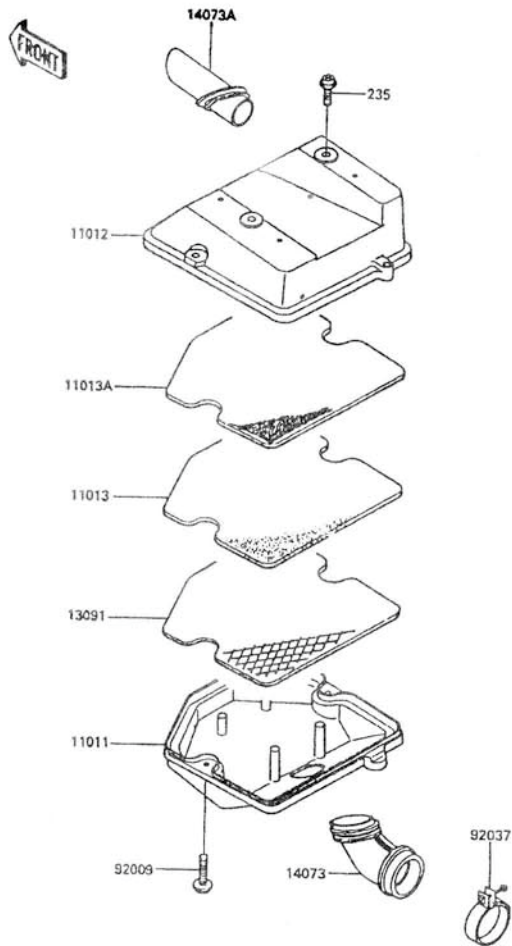


## 2. Cylinder/Piston

Quantity-AN90

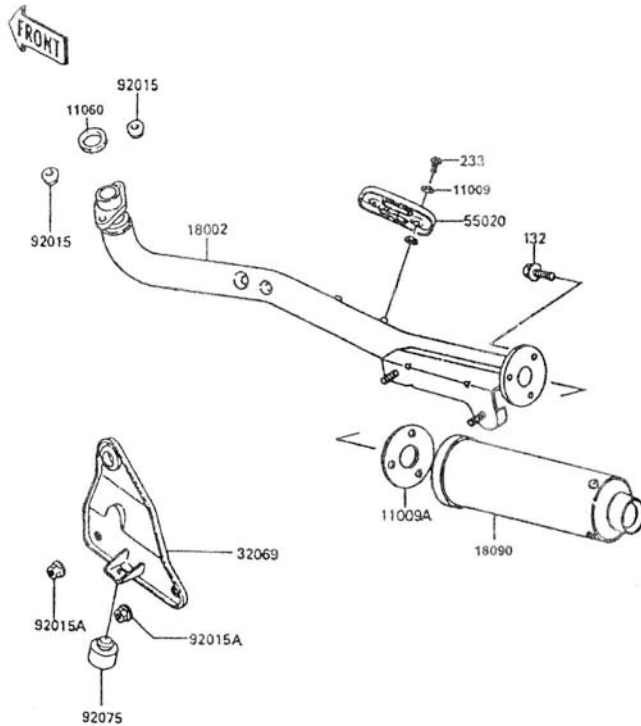
Ref.No.	Part No.	Description	'92'93'96'96'96'96					
			F1	G1	F2	G2	F3	G3
11005	11005-1389	Cylinder-Engine	1	1	1	1	1	1
11060	11060-1506	Gasket,Cylinder Base	1	1	1	1	1	1
13001	13001-1218	Piston-Engine,STD	1	1	1	1	1	1
13002	13002-1055	Pin-Piston	1	1	1	1	1	1
13008	13008-1059	Ring-Set-Piston,STD	1	1	1	1	1	1
13024	13024-1059	Ring-Set-Piston,O/S1.00	1	1	1	1	1	1
13025	13025-1059	Ring-Set-Piston,O/S0.50	1	1	1	1	1	1
↑	13025-1132	Ring-Set-Piston,O/S0.25	1	1	1	1	1	1
↑	13025-1133	Ring-Set-Piston,O/S0.75	1	1	1	1	1	1
13027	13027-1124	Piston-Engine,O/S1.00	1	1	1	1	1	1
13029	13029-1123	Piston-Engine,O/S0.50	1	1	1	1	1	1
↑	13029-1240	Piston-Engine,O/S0.25	1	1	1	1	1	1
↑	13029-1241	Piston-Engine,O/S0.75	1	1	1	1	1	1
92033	92033-1072	Ring-Snap	2	2	2	2	2	2
92043	92043-1264	Pin,8.2X10X14	2	2	2	2	2	2





### 3. Air Filter

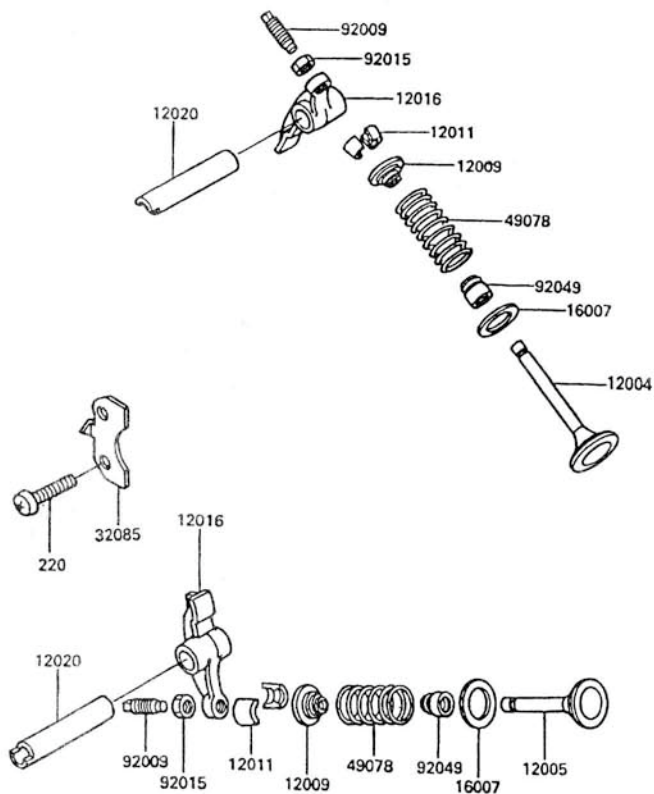
Ref.No.	Part No.	Description	Quantity-AN90					
			'92	'93	'96	'96	'96	'96
			F1	G1	F2	G2	F3	G3
11011	11011-1407	Case-Air Filter	1	1	1	1	1	1
11012	11012-1846	Cap,Air Filter	1	1	1	1	1	1
11013	11013-1119	Element-Air Filter	1	1	1	1	1	1
11013A	11013-1127	Element-Air Filter	1	1	1	1	1	1
13091	13091-1323	Holder,Air Filter	1	1	1	1	1	1
14073	14073-1188	Duct,Air Filter,Outlet	1	1	1	1	1	1
14073A	14073-1228	Duct,Air Filter,Inlet	1	1	1	1	1	1
92009	92009-1354	Screw,6X30	2	2	2	2	2	2
92037	92037-1568	Clamp,39MM	1	1	1	1	1	1
235	235D0614	Screw,6X14MM	2	2	2	2	2	2



#### 4. Muffler

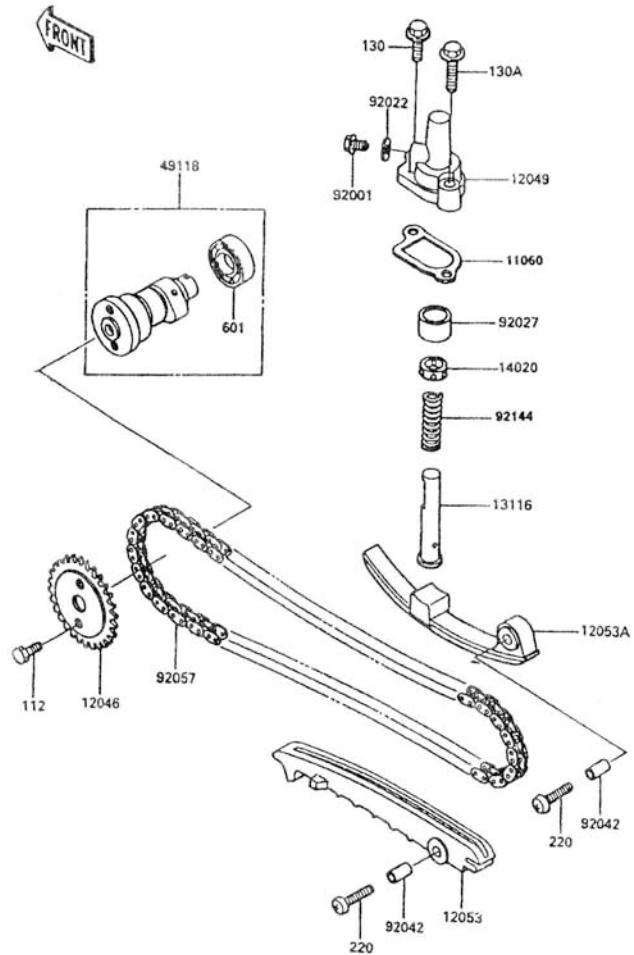
Ref.No.	Part No.	Description	Quantity-AN90					
			'92 F1	'93 G1	'96 F2	'96 G2	'96 F3	'96 G3
11009	11009-A015	Washer-Gasket	4	4	4	4	4	4
11009A	11009-1770	Gasket	1	1	1	1	1	1
11060	11060-1488	Gasket,Exhaust Pipe	1	1	1	1	1	1
18002	18002-A021	Body-Comp-Muffler	1	1	1	1	1	1
18090	18090-1378	Silencer-Muffler	1	1	1	1	1	1
32069	32069-1228	Bracket-Muffler	1	1	1	1	1	1
55020	55020-1418	Guard-Muffler	1	1	1	1	1	1
92015	92015-1365	Nut,6MM	2	2	2	2	2	2
92015A	92015-1409	Nut,Flanged,8MM	2	2	2	2	2	2
92075	92075-015	Damper	1	1	1	1	1	1
132	132J0614	Bolt,6X14MM	3	3	3	3	3	3
233	233C0610	Screw-Pan-Cros,6X10MM	2	2	2	2	2	2

FRONT



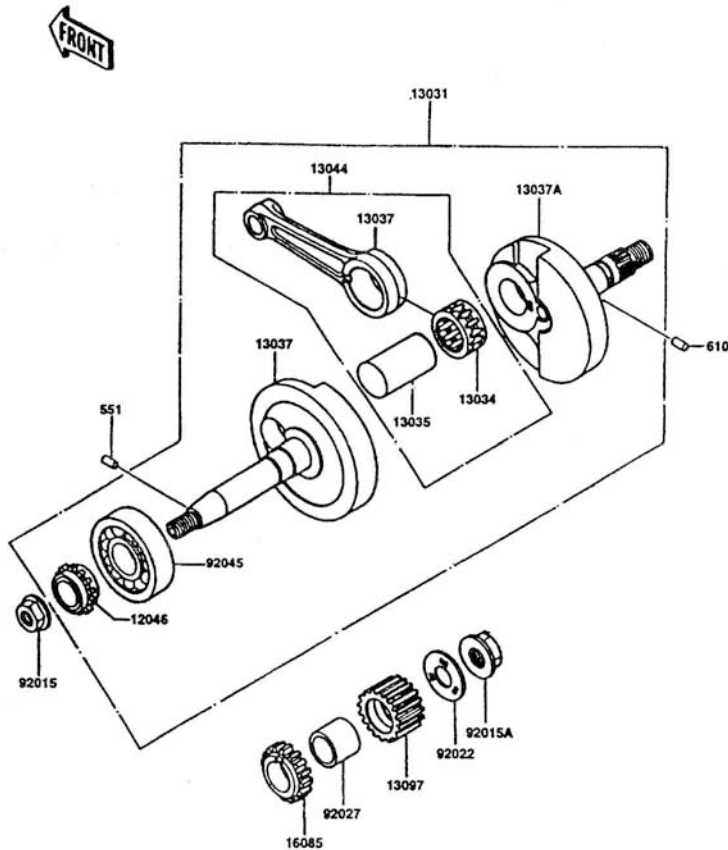
### 5. Valve

Ref.No.	Part No.	Description	Quantity-AN90					
			'92 F1	'93 G1	'96 F2	'96 G2	'96 F3	'96 G3
12004	12004-1055	Valve-Intake	1	1	1	1	1	1
12005	12005-1055	Valve-Exhaust	1	1	1	1	1	1
12009	12009-1052	Retainer-Valve Spring	2	2	2	2	2	2
12011	12011-1002	Collet,Split Keeper	4	4	4	4	4	4
12016	12016-5005	Arm-Rocker	2	2	2	2	2	2
12020	12020-1009	Shaft-Rocker	2	2	2	2	2	2
16007	16007-1109	Seat-Spring	2	2	2	2	2	2
32085	32085-1129	Stopper,Rocket Shaft	1	1	1	1	1	1
49078	49078-1054	Spring-Engine Valve	2	2	2	2	2	2
92009	92009-1109	Screw,Valve Adjust	2	2	2	2	2	2
92015	92015-1137	Nut,Valve Adjust Lock	2	2	2	2	2	2
92049	92049-1062	Seal-Oil,RVC2-5.5X8.5X8.3	2	2	2	2	2	2
220	220B0614	Screw-Pan-Cros,6X14	2	2	2	2	2	2



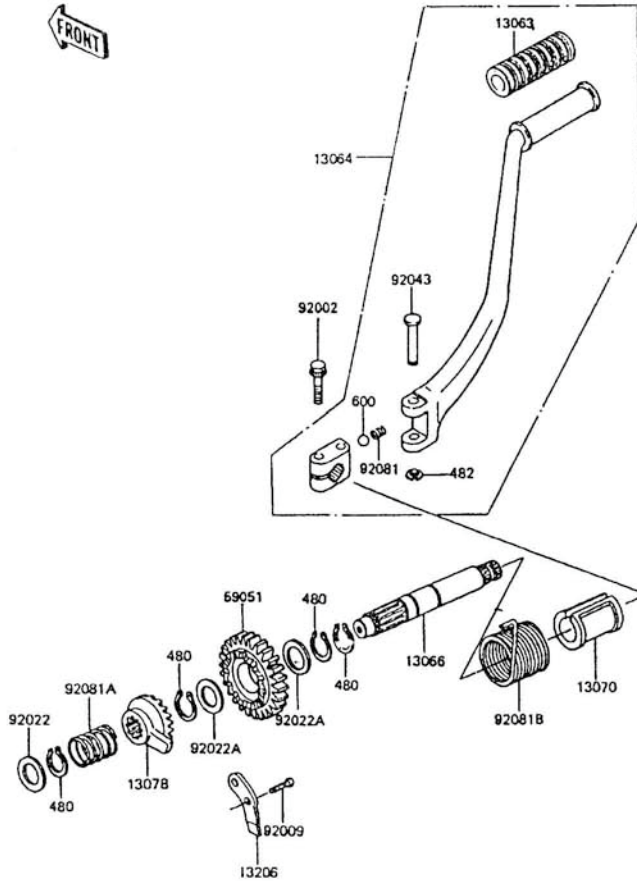
## 6. Camshaft/Tensioner

Ref.No.	Part No.	Description	Quantity-AN90					
			'92	'93	'96	'96	'96	'96
			F1	G1	F2	G2	F3	G3
11060	11060-1500	Gasket,Chain Tensioner	1	1	1	1	1	1
12046	12046-1035	Sprocket,Cam Chain	1	1	1	1	1	1
12049	12049-1059	Tensioner,Cam Chain	1	1	1	1	1	1
12053	12053-1154	Guide-Chain	1	1	1	1	1	1
12053A	12053-1155	Guide-Chain	1	1	1	1	1	1
13116	13116-1105	Rod-Push,Tensioner	1	1	1	1	1	1
14020	14020-1058	Retainer,Tensioner	1	1	1	1	1	1
49118	49118-1052	Camshaft-Comp	1	1	1	1	1	1
92001	92001-1155	Bolt,Tensioner Adjust	1	1	1	1	1	1
92022	92022-077	Washer,6.1X12X1	1	1	1	1	1	1
92027	92027-1733	Collar,Tensioner	1	1	1	1	1	1
92042	92042-007	Pin,Dowel,6.3X8X14	2	2	2	2	2	2
92057	92057-1060	Chain,Cam	1	1	1	1	1	1
92144	92144-1778	Spring,Tensioner	1	1	1	1	1	1
112	112G0610	Bolt-Upset	2	2	2	2	2	2
130	130Y0616	Bolt-Flanged	1	1	1	1	1	1
130A	130Y0625	Bolt-Flanged	1	1	1	1	1	1
220	220B0625	Screw-Pan-Cros,6X25	2	2	2	2	2	2
601	601A6002Z	Bearing-Ball,#6002Z	1	1	1	1	1	1



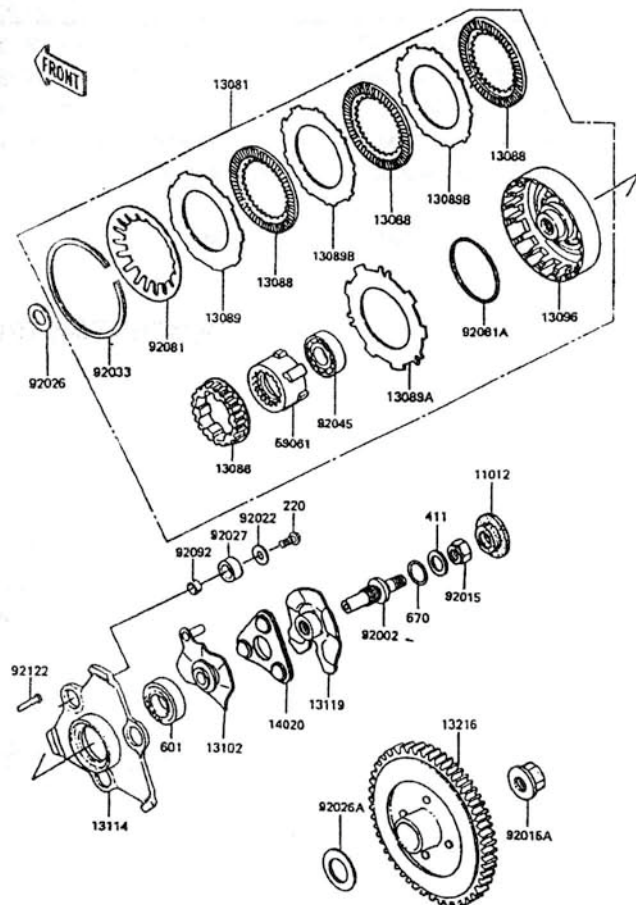
## 7. Crankshaft

Ref.No.	Part No.	Description	Quantity-AN90					
			'92 F1	'93 G1	'96 F2	'96 G2	'96 F3	'96 G3
12046	12046-1060	Sprocket,Cam Chain,14T	1	1	1	1	1	1
13031	13031-1177	Crankshaft-Comp	1	1			1	
	↑ 13031-1200	Crankshaft-Comp		1	1		1	
13032	13032-1064	Connecting Rod	1	1	1	1	1	1
13034	13034-1030	Bearing-Big End,Pk22x29x13.8f	1	1	1	1	1	1
13035	13035-1051	Pin-Crank	1	1	1	1	1	1
13037	13037-1231	Crankshaft-LH	1	1			1	
	↑ 13037-1263	Crankshaft-LH		1	1		1	
13037A	13037-1232	Crankshaft-RH	1	1	1	1	1	1
13044	13044-5032	Set-Connecting Rod	1	1	1	1	1	1
13097	13097-1121	Gear-Primary Spur,23T	1	1	1	1	1	1
16085	16085-1114	Gear,Oil Pump	1	1	1	1	1	1
92015	92015-077	Nut,Flanged,10MM	1	1	1	1	1	1
92015A	92015-1347	Nut,FlanGed,14MM	1	1	1	1	1	1
92022	92022-1669	Washer	1	1	1	1	1	1
92027	92027-1897	Collar,18X22X20.5	1	1	1	1	1	1
92045	92045-1107	Bearing-Ball,#6304	1	1	1	1	1	1
551	551A0306	Pin-Dowel,3X6	1	1	1	1	1	1
610	610A0404	Roller,4X4	1	1	1	1	1	1



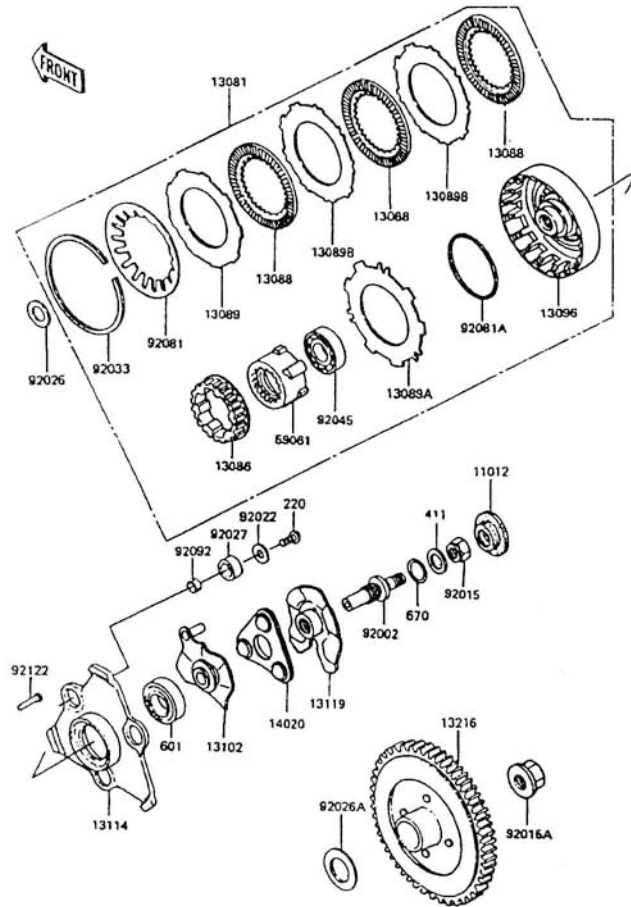
## 8. Kickstarter Mechanism

Ref.No.	Part No.	Description	Quantity-AN90					
			'92 F1	'93 G1	'96 F2	'96 G2	'96 F3	'96 G3
13063	13063-002	Damper,Pedal	1	1	1	1	1	1
13064	13064-1046	Lever-Assy-Kick,Pedal	1	1	1	1	1	1
13066	13066-1017	Shaft-Kick	1	1	1	1	1	1
13070	13070-1035	Guide,Kick Shaft	1	1	1	1	1	1
13078	13078-1052	Ratchet	1	1	1	1	1	1
13206	13206-1006	Guide-Kick	1	1	1	1	1	1
59051	59051-1123	Gear-Spur,Kick,26T	1	1	1	1	1	1
92002	92002-1237	Bolt,6X20	1	1	1	1	1	1
92009	92009-1104	Screw,Tapping	2	2	2	2	2	2
92022	92022-1224	Washer,13.2X20X0.5	1	1	1	1	1	1
92022A	92022-315	Washer,16.8X22X0.5	2	2	2	2	2	2
92043	92043-1109	Pin,6X35.3	1	1	1	1	1	1
92081	92081-020	Spring,Kick Pedal	1	1	1	1	1	1
92081A	92081-122	Spring,Ratchet	1	1	1	1	1	1
92081B	92081-1276	Spring,Kick Starter	1	1	1	1	1	1
480	480J1600	Circlip-Type-C,16MM	4	4	4	4	4	4
482	482L5000	Circlip-Type-E,5MM	1	1	1	1	1	1
600	600A0800	Ball-Steel,1/4"	1	1	1	1	1	1



## 9. Clutch (1/2)

Ref.No.	Part No.	Description	Quantity-AN90					
			'92 F1	'93 G1	'96 F2	'96 G2	'96 F3	'96 G3
11012	11012-1294	Cap,Clutch Cover	1	1	1	1	1	1
13081	13081-1206	Clutch-Assy	1	1	1	1	1	1
13086	13086-1054	Wheel-Clutch	1	1	1	1	1	1
13088	13088-1012	Plate-Friction	3	3	3	3	3	3
13089	13089-1006	Plate-Clutch	1	1	1	1	1	1
13089A	13089-1061	Plate-Clutch	1	1	1	1	1	1
13089B	13089-1069	Plate-Clutch	2	2	2	2	2	2
13096	13096-1064	Housing-Clutch	1	1	1	1	1	1
13102	13102-1073	Release-Comp-Clutch	1	1	1	1	1	1
13114	13114-1054	Pusher-Clutch	1	1	1	1	1	1
13119	13119-1056	Cam-Release,Clutch	1	1	1	1	1	1
13216	13216-1058	Gear-Comp,Clutch	1	1	1	1	1	1
14020	14020-1092	Retainer,Clutch Release	1	1	1	1	1	1
59061	59061-1052	Gear-Internal	1	1	1	1	1	1
92002	92002-1753	Bolt,Clutch Release	1	1	1	1	1	1
92015	92015-1136	Nut,8MM	1	1	1	1	1	1
92015A	92015-1341	Nut,Flanged,14MM	1	1	1	1	1	1
92022	92022-1312	Washer,5.2X17X1	3	3	3	3	3	3
92026	92026-1082	Spacer,18.5X30X1.6	1	1	1	1	1	1
92026A	92026-1096	Spacer,Clutch,17X30X2	1	1	1	1	1	1
92027	92027-1442	Collar,14X15X7.5	3	3	3	3	3	3
92033	92033-1059	Ring-Snap	1	1	1	1	1	1
92045	92045-1152	Bearing-Ball,#6806	1	1	1	1	1	1
92081	92081-1326	Spring,Conical	1	1	1	1	1	1
92081A	92081-1890	Spring,Clutch	1	1	1	1	1	1

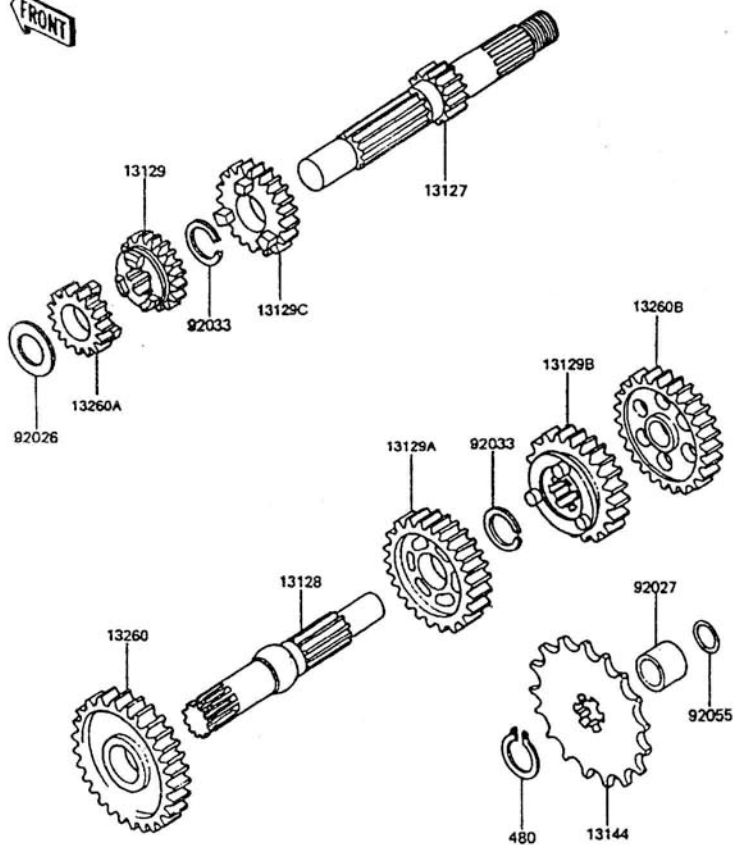


### 9. Clutch (2/2)

Ref.No.	Part No.	Description	Quantity-AN90					
			'92 F1	'93 G1	'96 F2	'96 G2	'96 F3	'96 G3
92092	92092-1017	Bushing-Rubber	3	3	3	3	3	3
92122	92122-1034	Roller,4MM	3	3	3	3	3	3
220	220B0512	Screw-Pan-Cros	3	3	3	3	3	3
411	411B0800	Washer-Plain,8MM	1	1	1	1	1	1
601	601A6200Z	Bearing-Ball,#6200Z	1	1	1	1	1	1
670	670B1508	O-Ring,8MM	1	1	1	1	1	1



FRONT



## 10. Transmission

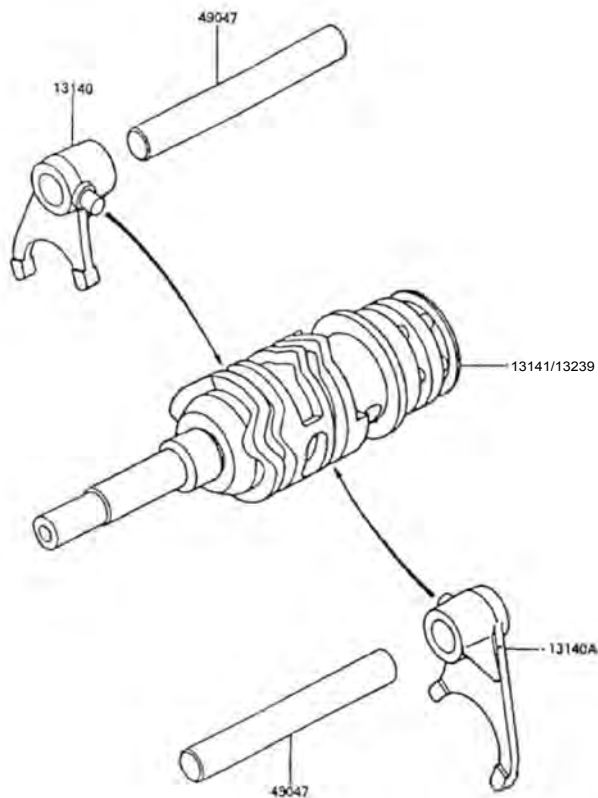
Quantity-AN90

Ref.No.	Part No.	Description	'92	'93	'96	'96	'96	'96
			F1	G1	F2	G2	F3	G3
13127	13127-1124	Shaft-Transmission Input	1	1	1	1	1	1
13128	13128-1123	Shaft-Transmission Output	1	1	1	1	1	1
13129	13129-1614	Gear,Input 3RD,22T	1	1	1	1	1	1
13129A	13129-1618	Gear,Output 3RD,34T	1	1	1	1	1	1
13129B	13129-1619	Gear,Output 4TH,31T	1	1	1	1	1	1
13129C	13129-1641	Gear,Input Top,25T	1	1	1	1	1	1
13144	13144-1045	Sprocket-Output,15T	1	1	1	1	1	1
13260	13260-1045	Gear,Output 2ND,38T	1	1	1	1	1	1
13260A	13260-1311	Gear,Input 2ND,18T	1	1	1	1	1	1
13260B	13260-1312	Gear,Output Low,44T	1	1	1	1	1	1
92026	92026-1091	Spacer	1	1	1	1	1	1
92027	92027-1289	Collar17X22X10	1	1	1	1	1	1
92033	92033-1060	Ring-Snap,17MM	2	2	2	2	2	2
92055	92055-1097	Ring-O,17MM	1	1	1	1	1	1
480	480J1700	Circlip-Type-C,17MM	1	1	1	1	1	1

### 11. Change Drum/Shift Fork

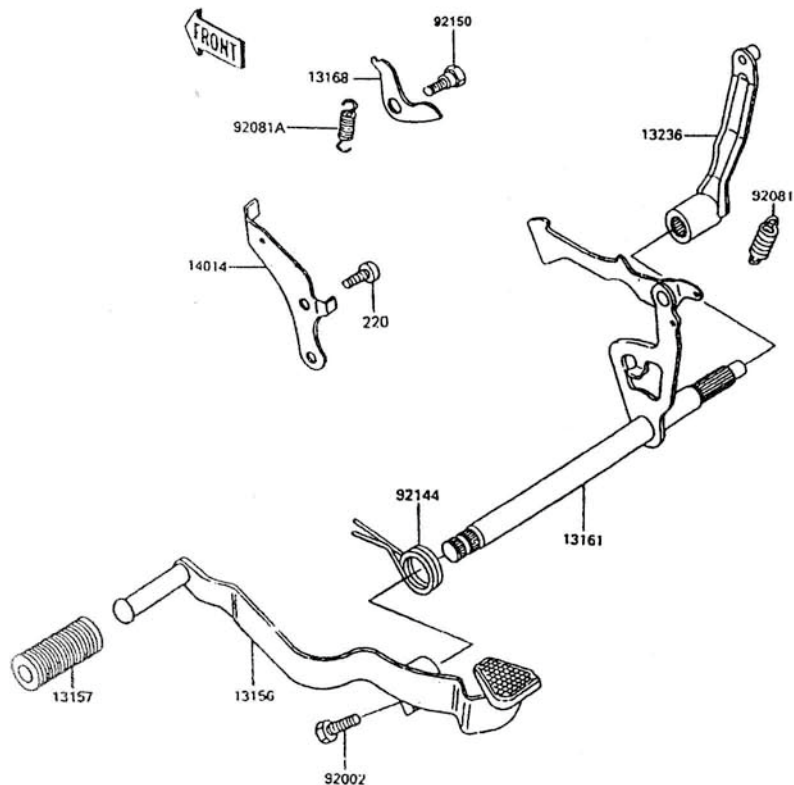
Quantity-AN90						
'92	'93	'96	'96	'96	'96	'05
F1	G1	F2	G2	F3	G3	G3

Ref.No.	Part No.	Description	'92	'93	'96	'96	'96	'96	'05
			F1	G1	F2	G2	F3	G3	G3
13140	13140-1118	Fork-Shft	1	1	1	1	1	1	1
13140A	13140-1119	Fork-Shft	1	1	1	1	1	1	1
13141	13141-1224	Drum-Assy-Change (*)	-	-	-	-	-	-	1
13239	13239-1114	Drum-Assy-Change (**)	1	1	1	1	1	1	
49047	49047-1058	Rod-Shaft	2	2	2	2	2	2	2
92042	92042-020	Pim-Dowel (*)	-	-	-	-	-	-	5



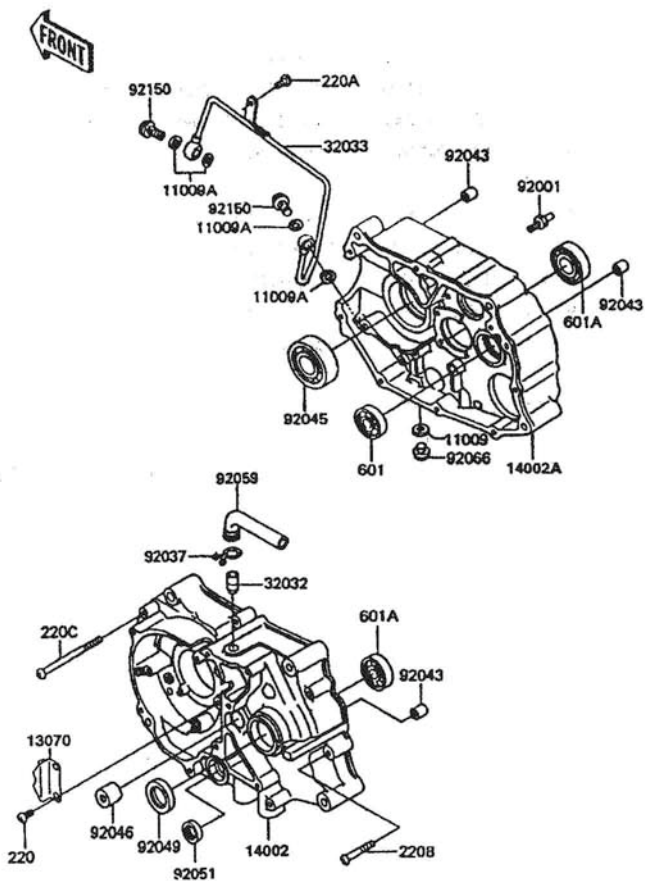
(\*) Para Caja Semi-rotativa

(\*\*) Para Caja NO rotativa



## 12. Gear Change Mechanism

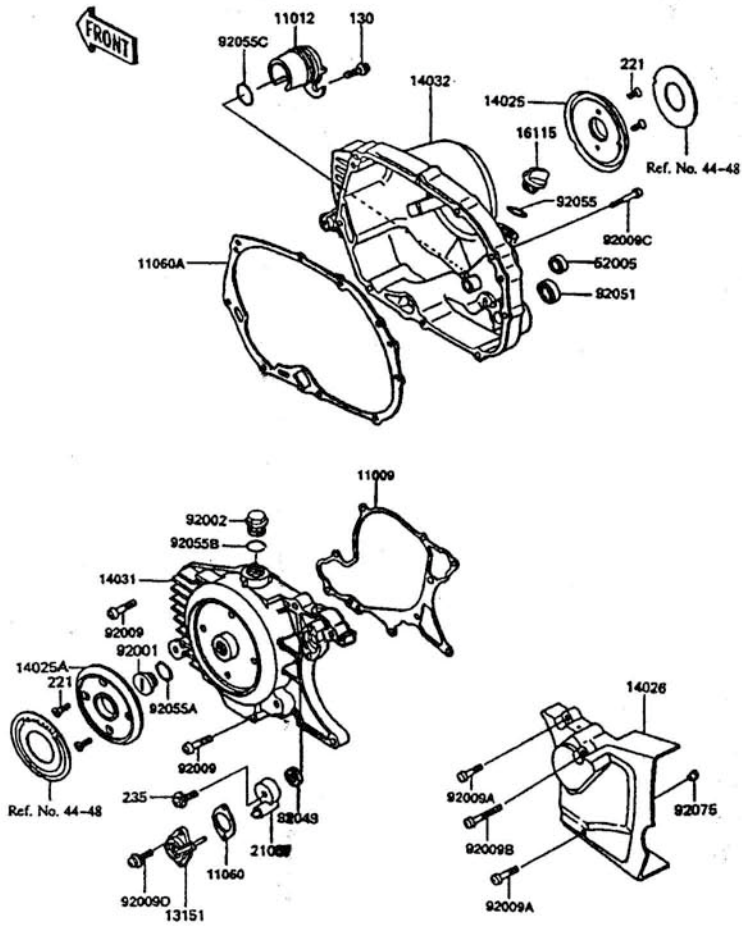
Ref.No.	Part No.	Description	Quantity-AN90					
			'92 F1	'93 G1	'96 F2	'96 G2	'96 F3	'96 G3
13156	13156-1102	Lever-Change,Pedal	1	1				
↑	13156-1396	Lver-Change,Pedal			1	1	1	1
13161	13161-1116	Lever-Comp-Change Shaft	1	1	1	1	1	1
13168	13168-1241	Lever,Drum Position	1	1	1	1	1	1
13157	13157-004	Damper			1	1	1	1
13236	13236-1116	Lever-Comp,Release	1	1	1	1	1	1
14014	14014-1064	Plate-Position	1	1	1	1	1	1
92002	92002-1237	Bolt,6X20	1	1	1	1	1	1
92081	92081-076	Spring,Change Lever	1	1	1	1	1	1
92081A	92081-1109	Spring,Change Lever	1	1	1	1	1	1
92144	92144-1107	Spring,Change Shaft Return	1	1	1	1	1	1
92150	92150-1450	Bolt,Change Drum Lever	1	1	1	1	1	1
220	220B0614	Screw-Pan-Cros,6X14	2	2	2	2	2	2



### 13. Crankcase

		Quantity-AN90					
Ref.No.	Part No.	Description	'92	'93	'96	'96	'96
			F1	G1	F2	G2	F3

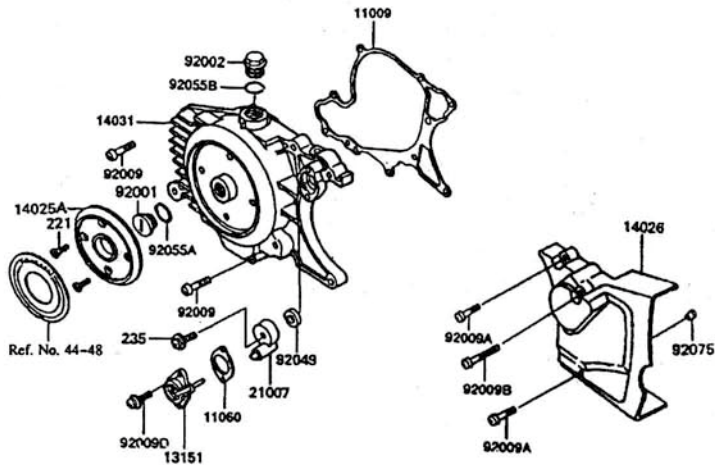
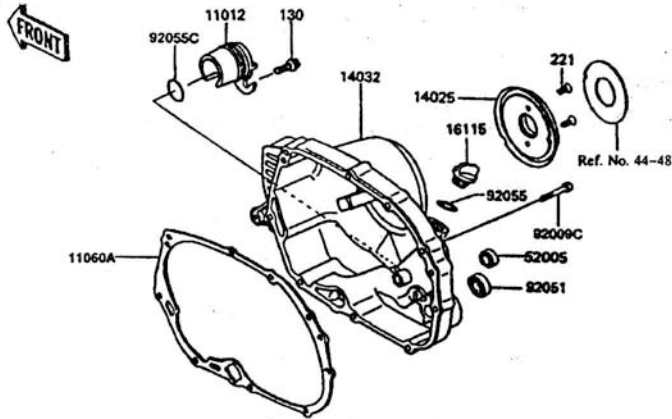
Ref.No.	Part No.	Description	'92	'93	'96	'96	'96	
			F1	G1	F2	G2	F3	G3
11009	11009-1332	Gasket,Drain Plug	1	1	1	1	1	1
11009A	11009-1344	Gasket,Oil Pipe,8.2X14X1.0	4	4	4	4	4	4
13070	13070-1046	Guide-Comp,Cam Chain	1	1	1	1	1	1
↑	13235-1057	Guide-Comp,Cam Chain	1	1	1	1	1	1
14002	14002-1336	Crankcase-LH	1	1	1	1	1	1
↑	14002-1355	Crankcase-LH	1	1	1	1	1	1
14002A	14002-1341	Crankcase-RH	1	1	1	1	1	1
32032	32032-1516	Pipe,Breather	1	1	1	1	1	1
32033	32033-1166	Pipe-A,Oil	1	1	1	1	1	1
92001	92001-1455	Bolt,Return Spring	1	1	1	1	1	1
92037	92037-192	Clamp,Breather Tube	1	1	1	1	1	1
92043	92043-1263	Pin,6.2X8X14.	6	6	6	6	6	6
92045	92045-1107	Bearing-Ball,#6304	1	1	1	1	1	1
92046	92046-1034	Bearing-Needle	1	1	1	1	1	1
92049	92049-1048	Seal-Oil,SC22325	1	1	1	1	1	1
92051	92051-005	Seal-Oil,TB1322.5	1	1	1	1	1	1
92059	92059-1167	Tube,Breather	1	1	1	1	1	1
92066	92066-1174	Plug,Oil Drain,12X15	1	1	1	1	1	1
92150	92150-1556	Bolt,Banjo,8X20	2	2	2	2	2	2
220	220B0614	Screw-Pan-Cros,6X14	2	2	2	2	2	2
220A	220X0612	Screw-Pan-Cros,6X12	1	1	1	1	1	1
220B	220X0635	Screw-Pan-Cros,6X35	5	5	5	5	5	5
220C	220X0675	Screw-Pan-Cros,6X75	3	3	3	3	3	3
601	601A6201	Bearing-Ball,#6201	1	1	1	1	1	1
601A	601A6203	Bearing-Ball,#6203	2	2	2	2	2	2



### 14. Engine Cover (1/2)

Quantity-AN90

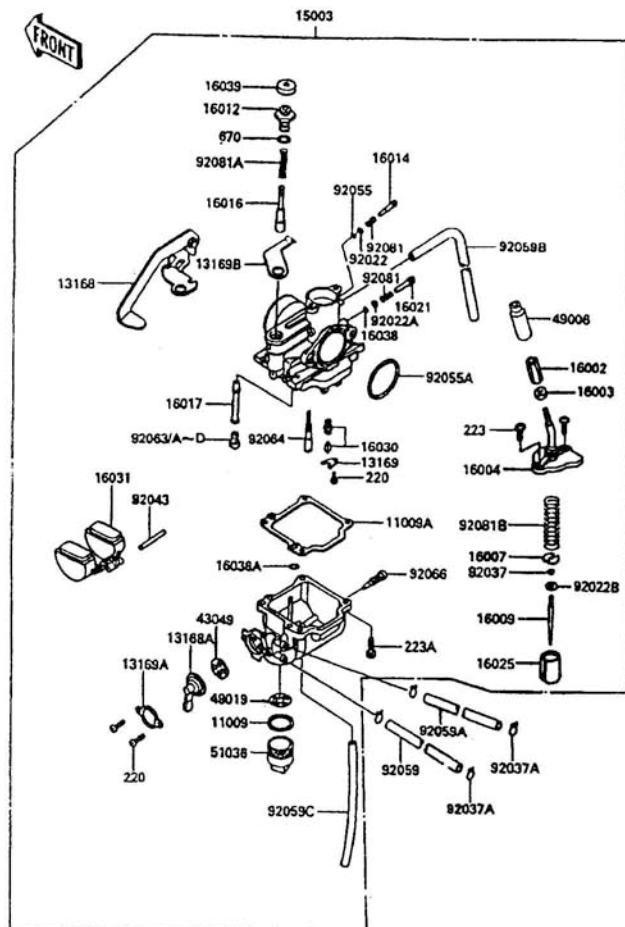
Ref.No.	Part No.	Description	Quantity					
			'92	'93	'96	'96	'96	'96
			F1	G1	F2	G2	F3	G3
11009	11009-1495	Gasket,Generator Cover	1	1	1	1	1	1
↑	11060-1542	Gasket,Generator Cover	1	1	1	1	1	1
11060	11060-1507	Gasket,Switch	1	1	1	1	1	1
11060A	11060-1587	Gasket,Clutch Cover	1	1	1	1	1	1
11012	11012-1457	Cap,Oil Filter	1	1	1	1	1	1
13151	13151-1053	Switch-Comp	1	1	1	1	1	1
14025	14025-1677	Cover,Clutch Cover	1	1	1	1	1	1
14025A	14025-1866	Cover,Generator Cover	1	1	1	1	1	1
14026	14026-1113	Cover-Chain	1	1	1	1	1	1
14031	14031-1171	Cover-Generator	1	1	1	1	1	1
↑	14031-1179	Cover-Generator	1	1	1	1	1	1
14032	14032-1223	Cover-Clutch	1	1	1	1	1	1
16115	16115-1053	Cap-Oil Filler	1	1	1	1	1	1
21007	21007-1122	Rotor	1	1	1	1	1	1
52005	52005-1055	Gauge,Oil Level	1	1	1	1	1	1
92001	92001-1827	Bolt,Generator Cover Cap	1	1	1	1	1	1
92002	92002-1448	Bolt,16X10	1	1	1	1	1	1
92009	92009-1310	Screw,6X25	3	3	3	3	3	3
92009A	92009-1314	Screw,6X40	6	6	6	6	6	6
92009B	92009-1356	Screw,6X60	1	1	1	1	1	1
92009C	92009-1357	Screw,6X35	9	9	9	9	9	9
92009D	92009-1358	Screw,5X18	2	2	2	2	2	2
92049	92049-1196	Seal-Oil	1	1	1	1	1	1
92051	92051-003	Seal-Oil,TB16267	1	1	1	1	1	1
92055	92055-1508	Ring-O	1	1	1	1	1	1



### 14. Engine Cover (2/2)

		Quantity-AN90					
		'92	'93	'96	'96	'96	'96
		F1	G1	F2	G2	F3	G3

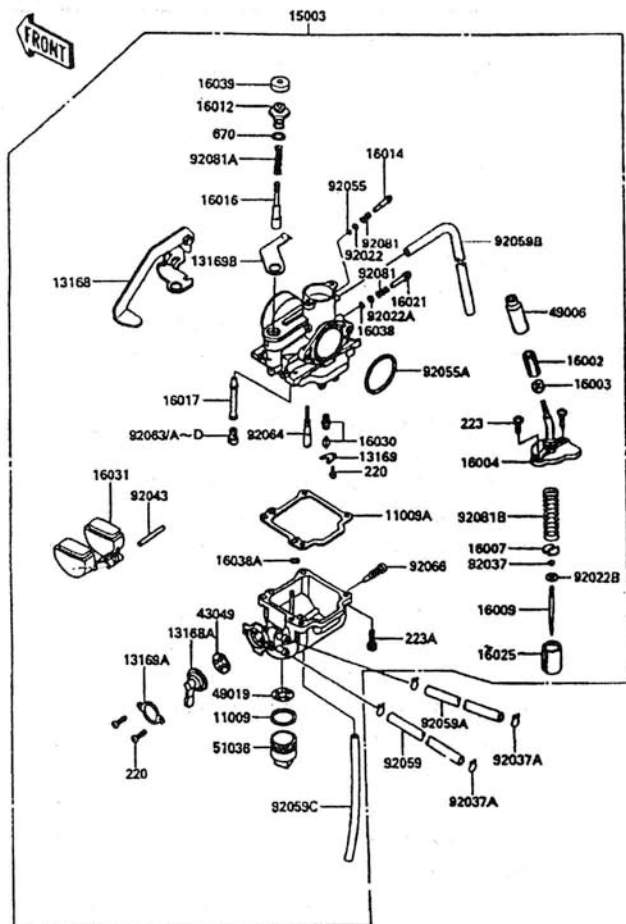
Ref.No.	Part No.	Description	'92	'93	'96	'96	'96	'96
			F1	G1	F2	G2	F3	G3
92055A	92055-1136	Ring-O,25.7X2.4	1	1	1	1	1	1
92055B	92055-1141	Ring-O,ID=13.8	1	1	1	1	1	1
92055C	92055-1259	Ring-O,20.8MM	1	1	1	1	1	1
92075	92075-1090	Damper,L=9.5	1	1	1	1	1	1
130	130Y0616	Bolt-Flanged,6X16	1	1	1	1	1	1
221	221B0510	Screw-Csk-Cros,5X10	6	6	6	6	6	6
235	235B0512	Screw-Pn-Wp-Cros,5X12	1	1	1	1	1	1



### 15. Carburetor (1/3)

Quantity-AN90

Ref.No.	Part No.	Description	'92/'93/'96/'96/'96/'96					
			F1	G1	F2	G2	F3	G3
11009	11009-1527	Gasket,Fuel Tap	1	1	1	1	1	1
11009A	11009-1528	Gasket,Float Chamber	1	1	1	1	1	1
13168	13168-1271	Lever,Starter	1	1	1	1	1	1
13168A	13168-1272	Lever,Fuel Tap	1	1	1	1	1	1
13169	13169-1809	Plate,Lock	1	1	1	1	1	1
13169A	13169-1947	Plate,Fuel Tap	1	1	1	1	1	1
13169B	13169-1949	Plate	1	1	1	1	1	1
15003	15003-1270	Carburetor-Assy	1	1	1	1	1	1
16002	16002-004	Adjuster-Cable	1	1	1	1	1	1
16003	16003-004	Nut,Cable Adjust Lock	1	1	1	1	1	1
16004	16004-1057	Cap-Chamber	1	1	1	1	1	1
16007	16007-1116	Seat-Spring	1	1	1	1	1	1
16009	16009-1272	Needle-Jet,3N12	1	1	1	1	1	1
16012	16012-019	Cap-Starter Plunger	1	1	1	1	1	1
16014	16014-1020	Screw-Pilot Air	1	1	1	1	1	1
16016	16016-1002	Plunger,Starter	1	1	1	1	1	1
16017	16017-1289	Jet-Needle,E-4	1	1	1	1	1	1
16021	16021-1113	Screw-Throttle Stop	1	1	1	1	1	1
16025	16025-1187	Valve-Throttle,CA3.5	1	1	1	1	1	1
16030	16030-1061	Valve-Float,1.5	1	1	1	1	1	1
16031	16031-1061	Float	1	1	1	1	1	1
16038	16038-022	Gasket,O'Ring	1	1	1	1	1	1
16038A	16038-024	Gasket,Pilot Jet	1	1	1	1	1	1
16039	16039-015	Cap,Rubber,Starter Plunger	1	1	1	1	1	1
43049	43049-1052	Packing,Fuel Tap	1	1	1	1	1	1

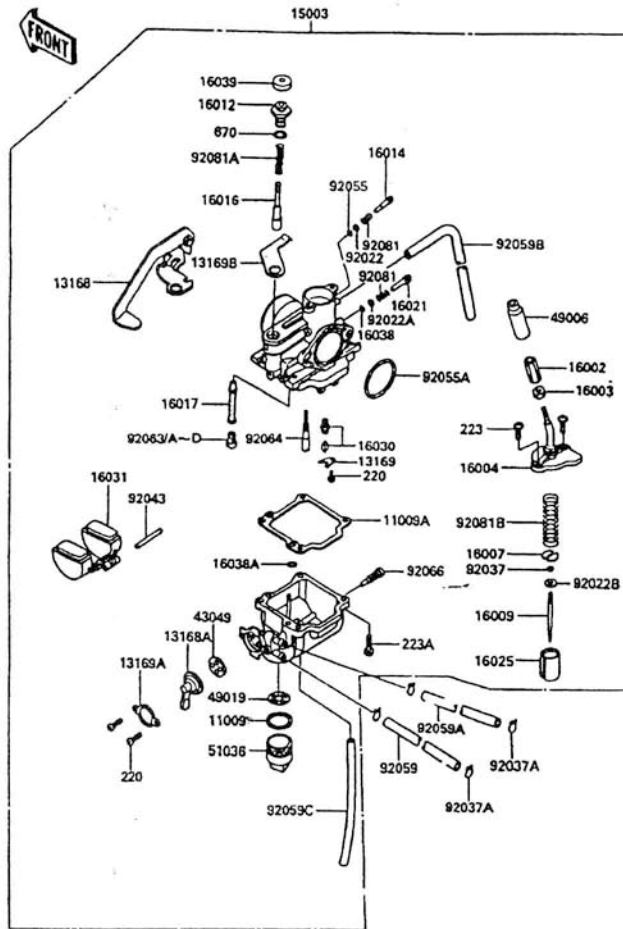


### 15. Carburetor (2/3)

		Quantity-AN90					
		'92	'93	'96	'96	'96	
Ref.No.	Part No.	F1	G1	F2	G2	F3	G3

49006	49006-1084	Boot,Cable Adjuster		1	1	1	1	1	1
49019	49019-1054	Filter-Fuel		1	1	1	1	1	1
51036	51036-1052	Cup,Fuel Tap		1	1	1	1	1	1
92022	92022-1187	Washer,Adjust Screw		1	1	1	1	1	1
92022A	92022-1698	Washer,Throttle Stop Screw		1	1	1	1	1	1
92022B	92022-1699	Washer		1	1	1	1	1	1
92037	92037-1272	Clamp		1	1	1	1	1	1
92037A	92037-1610	Clamp		4	4	4	4	4	4
92043	92043-1126	Pin,Float		1	1	1	1	1	1
92055	92055-1078	Ring-O,Adjust Screw		1	1	1	1	1	1
92055A	92055-1305	Ring-O		1	1	1	1	1	1
92059	92059-1521	Tube,5X9X540		1	1	1	1	1	1
92059A	92059-1522	Tube,5X9X550.		1	1	1	1	1	1
92059B	92059-1592	Tube,3,5X6,5X100		1	1	1	1	1	1
92059C	92059-1593	Tube,3X5X175		1	1	1	1	1	1
92063	92063-1313	Jet-Main,#70		1	1	1	1	1	1
92063A	92063-1314	Jet-Main,#72.5		1	1	1	1	1	1
92063B	92063-1315	Jet-Main,#75		1	1	1	1	1	1
92063C	92063-1316	Jet-Main,#77.5		1	1	1	1	1	1
92063D	92063-1317	Jet-Main,#80		1	1	1	1	1	1
92064	92064-1122	Jet-Pilot,#15		1	1	1	1	1	1
92066	92066-1171	Plug,Drain		1	1	1	1	1	1
92081	92081-1153	Spring,Stop Screw		2	2	2	2	2	2
92081A	92081-1398	Spring		1	1	1	1	1	1
92081B	92081-1867	Spring,Throttle Valve		1	1	1	1	1	1



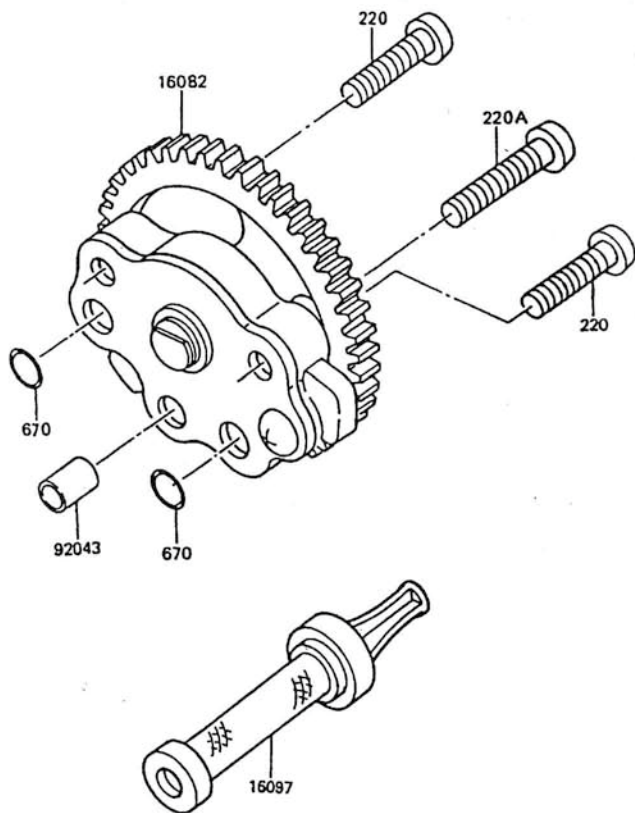


### 15. Carburetor (3/3)

**Quantity-AN90**

Ref.No.	Part No.	Description	92	93	96	96	96	96
			F1	G1	F2	G2	F3	G3
220	220B0306	Screw-Pan-Cros,3X6	3	3	3	3	3	3
223	223B0412	Screw-Pan-Cros,4X12	2	2	2	2	2	2
223A	223B0414	Screw-Pan-Cros,4X14	4	4	4	4	4	4
670	670B1509	O-Ring,9MM	1	1	1	1	1	1

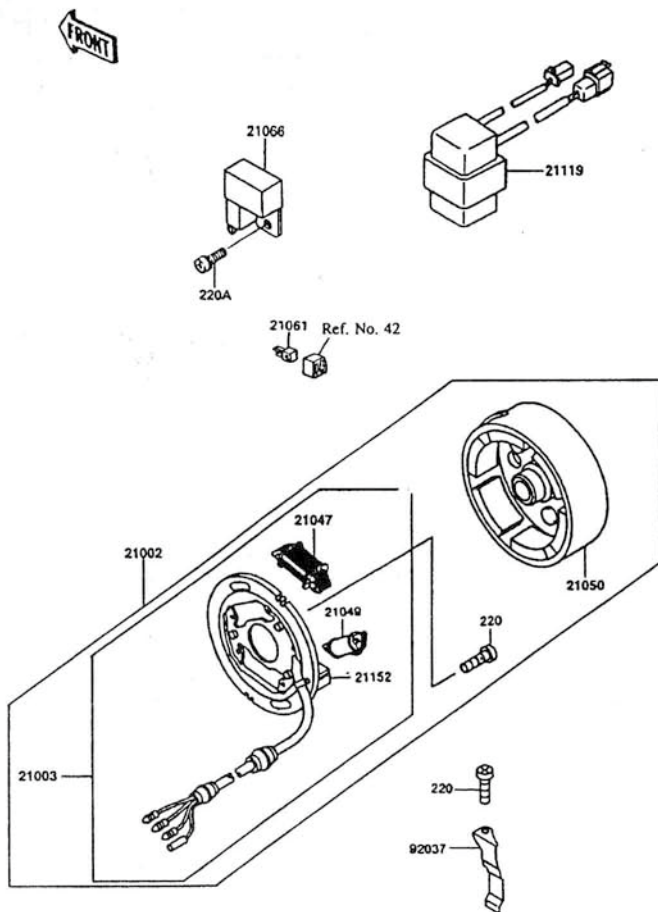
FRONT



## 16. Oil Pump

Quantity-AN90

Ref.No.	Part No.	Description	Quantity-AN90					
			'92 F1	'93 G1	'96 F2	'96 G2	'96 F3	'96 G3
16082	16082-1052	Pump-Assy-Oil	1	1	1	1	1	1
16097	16097-1052	Filter-Assy-Oil	1	1	1	1	1	1
92043	92043-1263	Pin,6.2X8X14	1	1	1	1	1	1
220	220B0625	Screw-Pan-Cros,6X25	2	2	2	2	2	2
220A	220B0630	Screw-Pan-Cros,6X30	1	1	1	1	1	1
670	670B1510	O-Ring,10MM	2	2	2	2	2	2



### 17. Generator

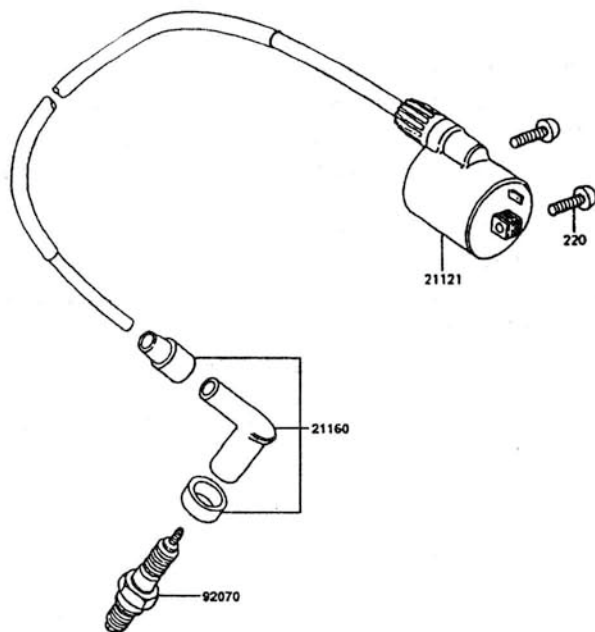
Ref.No.	Part No.	Description	Quantity-AN90					
			'92	'93	'96	'96	'96	'96
			F1	G1	F2	G2	F3	G3
21002	21002-1173	Magneto-Assy	1	1	1			
↑	21002-1176	Magneto-Assy		1	1	1		
21003	21003-1126	Stator	1	1	1			
↑	21003-1127	Stator		1	1	1		
21047	21049-1024	Coil-Lighting	1	1	1	1	1	1
21049	21049-1017	Coil-Exciting	1	1	1	1	1	1
21050	21050-1112	FlyWheel	1	1	1			
↑	21050-1113	FlyWheel		1	1	1		
21061	21061-1003	Rectifier	1	1	1	1	1	1
21066	21066-1070	Regulator-Voltage	1	1	1	1	1	1
21119	21119-1402	Igniter	1	1	1	1	1	1
21152	21152-1001	Pickup-Generator	1	1	1	1	1	1
92037	92037-1645	Clamp	1	1	1	1	1	1
220	220B0514	Screw-Pan-Cros,5X14	3	3	3	3	3	3
220A	220B0612	Screw-Pan-Cros,6X12	1	1	1	1	1	1

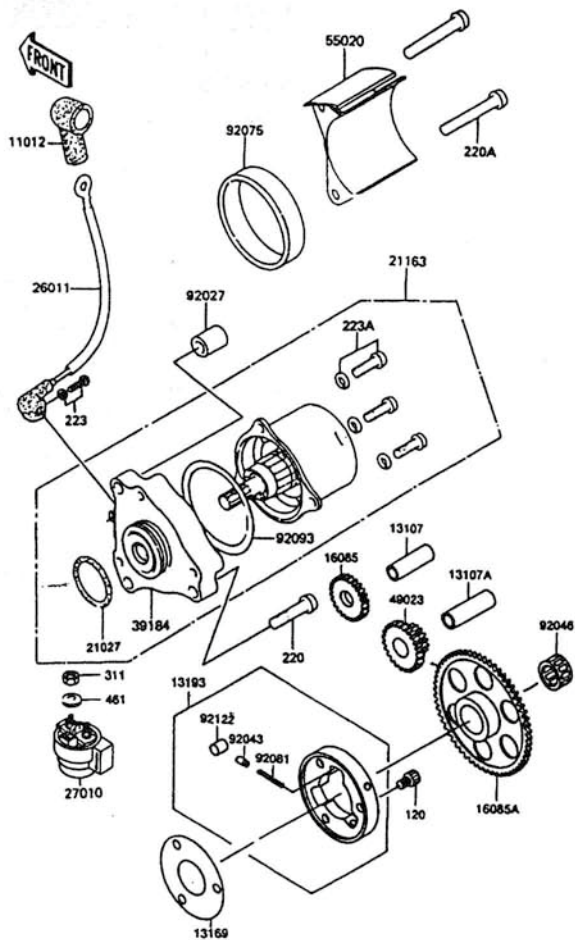
### 18. Ignition Coil

Quantity-AN90

Ref.No.	Part No.	Description	'92	'93	'96	'96	'96	'96
			F1	G1	F2	G2	F3	G3
21121	21121-1061	Coil-Ignition	1	1	1	1	1	1
21160	21160-1003	Cap-Spark Plug	1	1	1	1	1	1
92070	92070-1114	Plug-Spark,C6HSA(NGK)	1	1	1	1	1	1
220	220B0516	Screw-Pan-Cros,5X16	2	2	2	2	2	2

FRONT

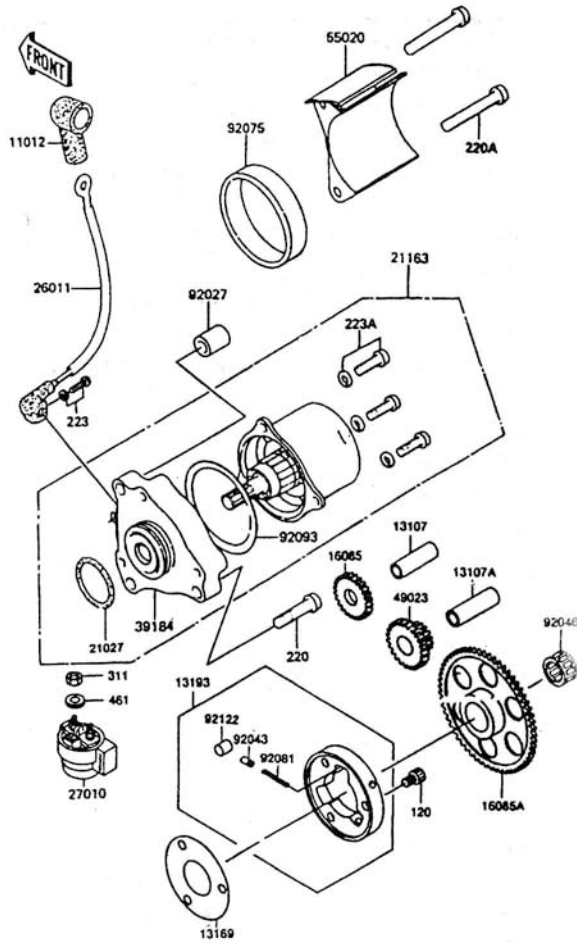




### 19. Starter Motor (1/2)

Quantity-AN90

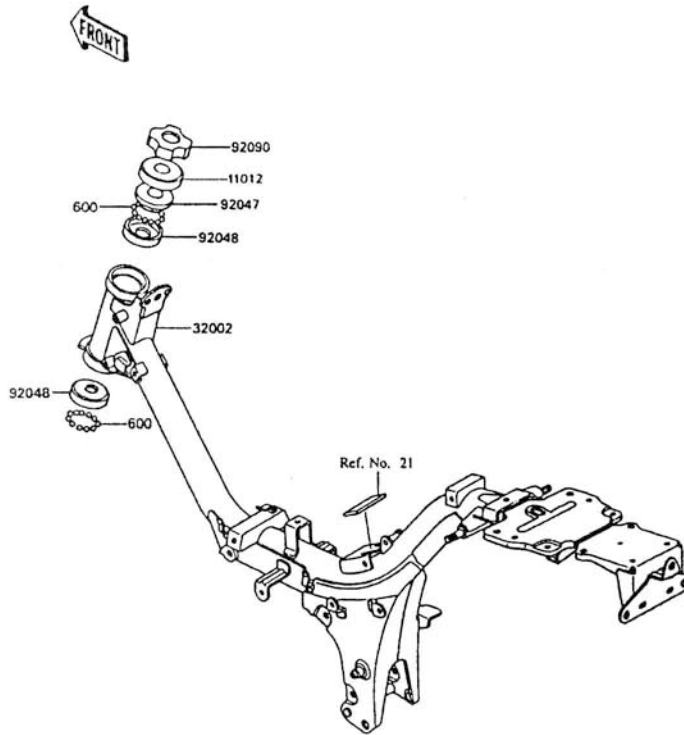
Ref.No.	Part No.	Description	'92	'93	'96	'96	'96	'96
			F1	G1	F2	G2	F3	G3
11012	11012-1354	Cap,Terminal	1	1	1			
13107	13107-1142	Shaft,8X25	1	1	1			
13107A	13107-1143	Shaft,L=41	1	1	1			
13169	13169-1907	Plate	1	1	1			
13193	13193-1054	Clutch-Assy-Oneway	1	1	1			
16085	16085-1264	Gear,Idle,45T	1	1	1			
16085A	16085-1257	Gear,62T	1	1	1			
21027	21027-004	Ring-O,Starter Motor,25MM	1	1	1			
21163	21163-1082	Starter-Electric	1	1	1			
26011	26011-1620	Wire-Lead,Starter Motor	1	1	1			
27010	27010-1314	Switch,Starter	1	1	1			
39184	39184-1056	Bracket-Assy,Starter Motor	1	1	1			
49023	49023-1051	Gear-Cluster	1	1	1			
55020	55020-1521	Guard	1	1	1			
92027	92027-1461	Collar	2	2	2			
92043	92043-132	Pin	3	3	3			
92046	92046-1139	Bearing-Needle	1	1	1			
92075	92075-1392	Damper	1	1	1			
92081	92081-159	Spring-Coil	3	3	3			
92093	92093-1079	Seal	1	1	1			
92122	92122-1122	Roller	3	3	3			
120	120P0612	Bolt,Socket,6X12	3	3	3			
220	220X0625	Screw-Pan-Cros,6X25	1	1	1			
220A	220X0640	Screw-Pan-Cros,6X40	2	2	2			
223	223D0406	Screw-Pan-Cros,4X6	1	1	1			



### 19. Starter Motor (2/2)

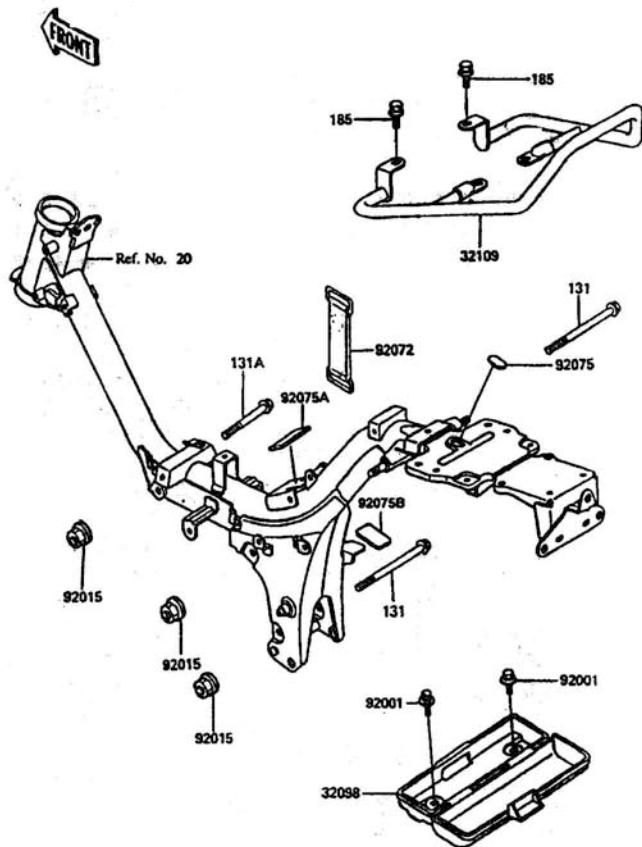
Quantity-AN90

Ref.No.	Part No.	Description						
			'92 F1	'93 G1	'96 F2	'96 G2	'96 F3	'96 G3
223A	223D0516	Screw-Pan-Cros,5X16	3	3	3			
311	311B0600	Nut-Hex,6MM	2	2	2			
461	461F0600	Washer-Spring,6MM	2	2	2			



## 20. Frame

Ref.No.	Part No.	Description	Quantity-AN90					
			'92 F1	'93 G1	'96 F2	'96 G2	'96 F3	'96 G3
11012	11012-1740	Cap,Steering Stem	1	1	1	1	1	1
32002	32002-1765-EK	Frame-Comp	1					
	↑ 32002-A006	Frame-Comp			1		1	
	↑ 32160-A021-EK	Frame-Comp			1	1		1
92047	92047-014	Cone,Steering Stem Bearing	1	1	1	1	1	1
92048	92048-009	Race,Steering Stem Bearing	2	2	2	2	2	2
92090	92090-006	Nut,Steering Stem Lock	1	1	1	1	1	1
600	600A0600	Ball-Steel,3/16"	46	46	46	46	46	46



## 21. Frame Fitting

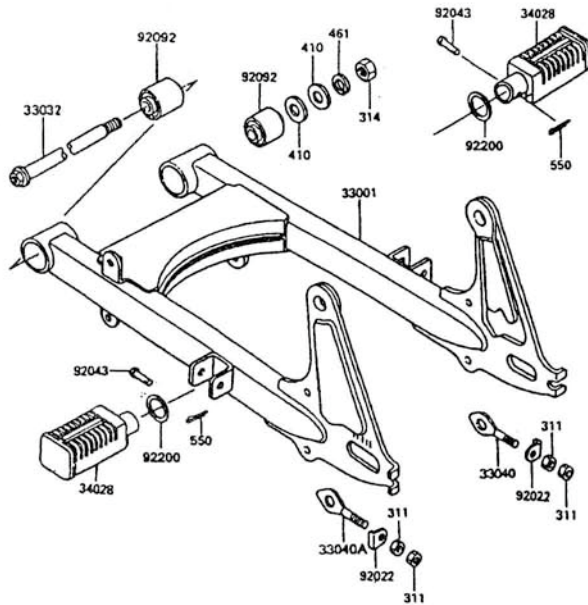
Ref.No.	Part No.	Description	Quantity-AN90					
			'92 F1	'93 G1	'96 F2	'96 G2	'96 F3	'96 G3
32098	32098-1052	Case-Tool	1	1	1	1	1	1
32109	32109-1246	Grip-Frame	1	1	1	1	1	1
92001	92001-1762	Bolt,W/SP,6X14	2	2	2	2	2	2
92015	92015-1406	Nut,Flanged,8MM	3	3	3	3	3	3
92072	92072-1304	Band		1		1		1
	↑ 92075-045	Band		1		1		1
92075	92075-1684	Damper	1	1	1	1	1	1
92075A	92075-1727	Damper	1	1	1	1	1	1
92075B	92075-1793	Damper,Battery	1		1		1	
	↑ 92160-1377	Damper,Battery		1		1		1
131	131G08105	Bolt-Flanged,8X105	2	2	2	2	2	2
131A	131G0875	Bolt-Flanged,8X75	1	1	1	1	1	1
185	185B0818	Bolt-Flanged,8X18	4	4	4	4	4	4



## 22. Swing Arm

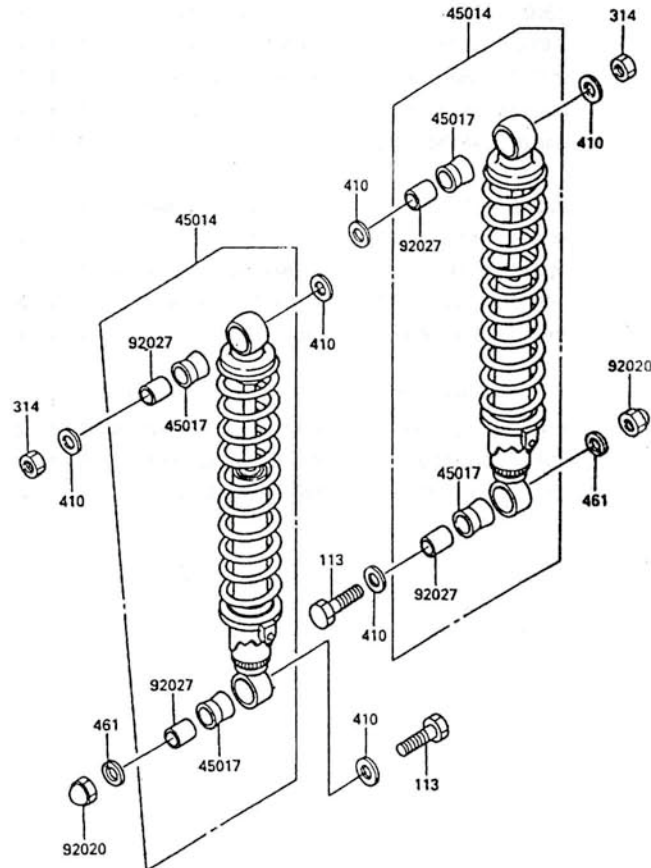
Quantity-AN90

Ref.No.	Part No.	Description	Quantity-AN90					
			'92 F1	'93 G1	'96 F2	'96 G2	'96 F3	'96 G3
33001	33001-1397-EK	Arm-Comp-Swing	1	1	1	1	1	1
33032	33032-039	Shaft-Swing Arm	1	1	1	1	1	1
33040	33040-1006	Adjuster-Chain,RH	1	1	1	1	1	1
33040A	33040-1013	Adjuster-Chain,LH	1	1	1	1	1	1
34028	34028-1320	Step,RR	2	2	2	2	2	2
92022	92022-1670	Washer,Chain Adjuster	2	2	2	2	2	2
92043	92043-1464	Pin,6X28	2	2	2	2	2	2
92092	92092-006	Bushing-Rubber,Swing Arm	2	2	2	2	2	2
92200	92200-1052	Washer,Step Fitting	2	2	2	2	2	2
311	311B0600	Nut-Hex,6MM	4	4	4	4	4	4
314	314B1000	Nut-Hex-Fine,10MM	1	1	1	1	1	1
410	410B1000	Washer-Plain-Small10MM	2	2	2	2	2	2
461	461F1000	Washer-Spring,10MM	1	1	1	1	1	1
550	550D2015	Pin-Cotter,2,0X15	2	2	2	2	2	2



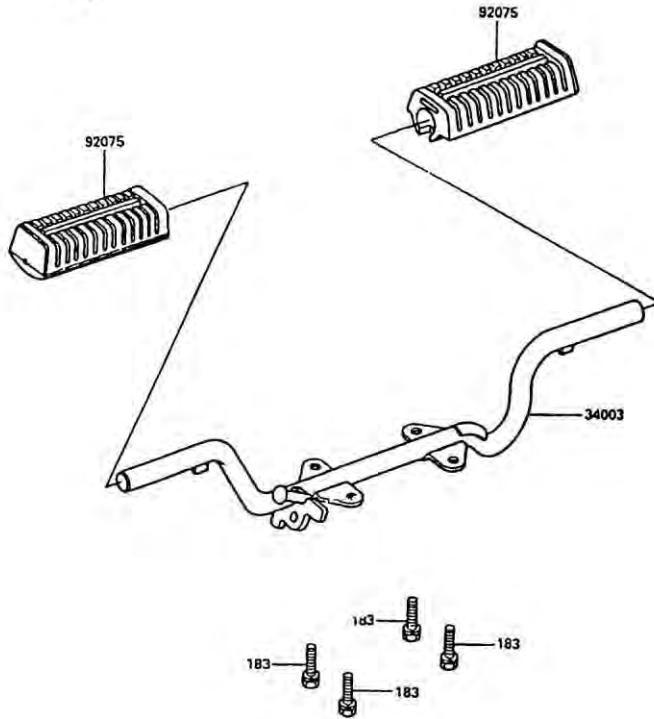
### 23. Suspension/Shock Absorber

		Quantity-AN90						
Ref.No.	Part No.	Description	'92	'93	'96	'96	'96	'96
			F1	G1	F2	G2	F3	G3



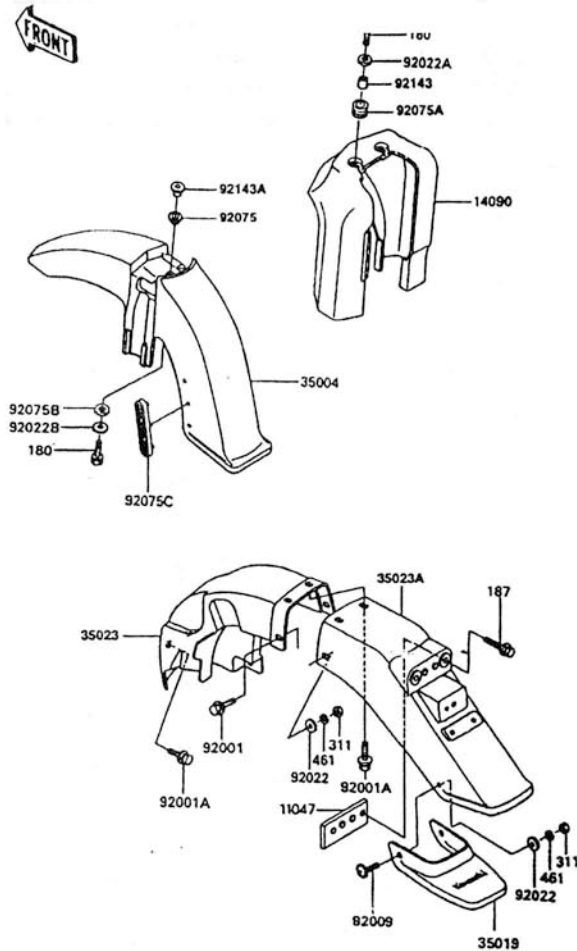
45014	45014-1523	Shock Absorber	2	2	2	2	2	2
45017	45017-012	Damper, Shock Absorber	4	4	4	4	4	4
92020	92020-014	Nut, Cap, 12MM	2	2	2	2	2	2
92027	92027-1016	Collar, Shock Absorber	4	4	4	4	4	4
113	113B1245	Bolt-Small-Fine, 12X45	2	2	2	2	2	2
314	314B1200	Nut-Hex-Fine, 12MM	2	2	2	2	2	2
410	410B1200	Washer-Plain-Small, 12MM	6	6	6	6	6	6
461	461F1200	Washer-Spring, 12MM	2	2	2	2	2	2

FRONT



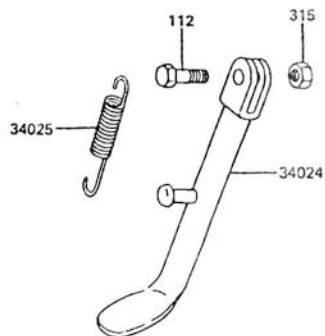
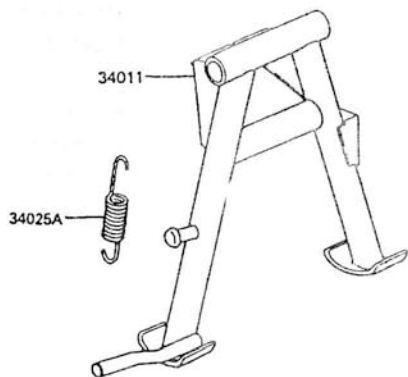
### 24. Step

Ref.No.	Part No.	Description	Quantity-AN90					
			'92 F1	'93 G1	'96 F2	'96 G2	'96 F3	'96 G3
34003	34003-1220-EK	Holder-Step	1	1	1			
	↑ 34003-1408	Holder-Step		1	1	1		
92075	92075-1675	Damper-Step	2	2	2	2	2	2
183	183B0818	Bolt-Upset-Ws-Small,8X18	4	4	4	4	4	4



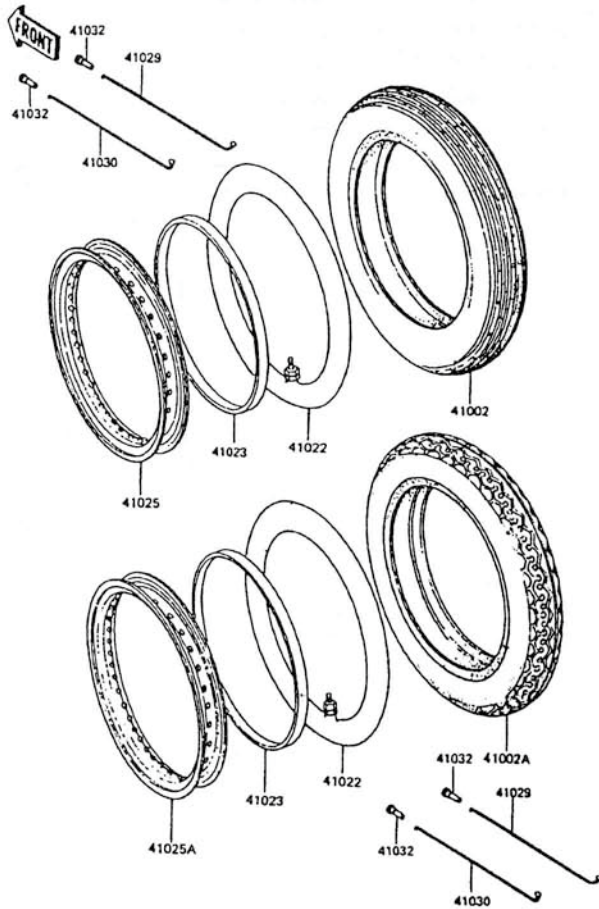
## 25. Fender

Ref.No.	Part No.	Description	Quantity-AN90					
			'92 F1	'93 G1	'96 F2	'96 G2	'96 F3	'96 G3
11047	11047-1548	Reinforce-Fender-Rear	1	1	1	1	1	1
14090	14090-1146-??	Cover-Fork	1	1	1	1	1	1
35004	35004-1161-??	Fender-Front	1	1	1	1	1	1
35019	35019-1141	Flap,RR Fender	1	1	1	1	1	1
35023	35023-1144	Fender-Rear-FR	1	1	1	1	1	1
35023A	35023-1395	Fender-Rear-RR	1	1	1	1	1	1
92001	92001-1860	Bolt,W/P,6X16	2	2	2	2	2	2
92001A	92001-1863	Bolt,6X16	4	4	4	4	4	4
92009	92009-1288	Screw,6X14	2	2	2	2	2	2
92022	92022-024.	Washer,7X16X12	4	4	4	4	4	4
92022A	92022-125	Washer,6.5X20X1.6	2	2	2	2	2	2
92022B	92022-228	Washer,7X24X1.6	3	3	3	3	3	3
92075	92075-103	Damper	3	3	3	3	3	3
92075A	92075-1028	Damper	2	2	2	2	2	2
92075B	92075-121	Damper-Fender	3	3	3	3	3	3
92075C	92075-1370	Damper	1	1	1	1	1	1
92143	92143-1407	Collar	2	2	2	2	2	2
92143A	92143-1885	Collar	3	3	3	3	3	3
180	180B0622	Bolt-Upset-Ws,6X22	5	5	5	5	5	5
187	187B0620	Bolt-Upset-Wsp,6X20	2	2	2	2	2	2
311	311B0600	Nut-Hex,6MM	4	4	4	4	4	4
461	461F0600	Washer-Spring,6MM	4	4	4	4	4	4

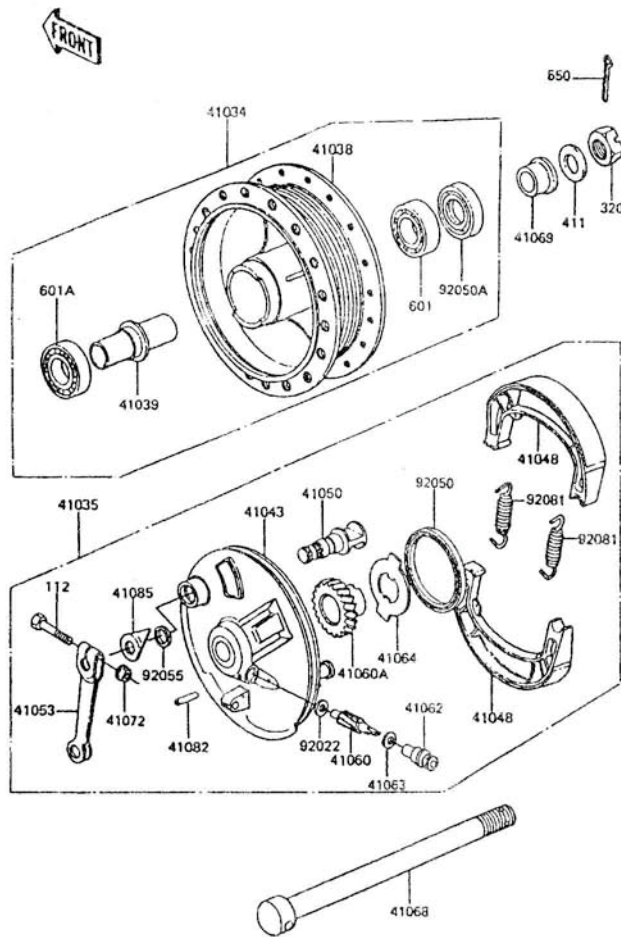


## 26. Stand

Ref.No.	Part No.	Description	Quantity-AN90					
			'92 F1	'93 G1	'96 F2	'96 G2	'96 F3	'96 G3
34011	34011-1163-EK	Stand-Center	1	1	1	1	1	1
34024	34024-1063-EK	Stand-Side	1	1	1	1	1	1
34025	34025-005	Spring,Stand	1	1	1	1	1	1
34025A	34025-008	Spring,Stand	1	1	1	1	1	1
112	112C1030	Bolt-Upset	1	1	1	1	1	1
315	315C1000	Nut-Hex-Fine,10MM,Black	1	1	1	1	1	1

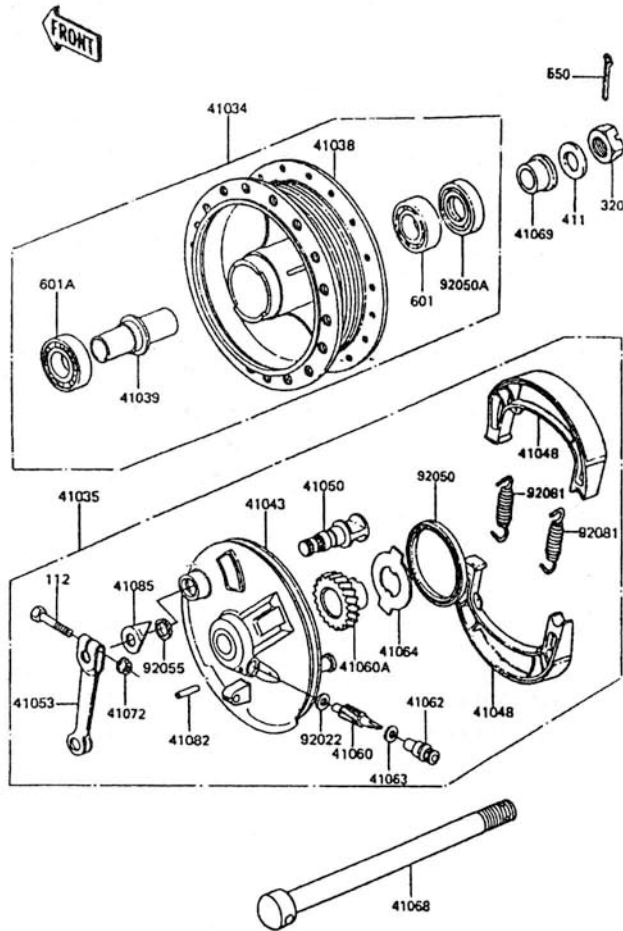

**27. Tire**
**Quantity-AN90**

Ref.No.	Part No.	Description	'92	'93	'96	'96	'96	'96
			F1	G1	F2	G2	F3	G3
41002	41002-1154	Tire,Front,2.25-17 4PR	1	1	1	1	1	1
41002A	41002-1155	Tire,Rear,2.50-17 4PR	1	1	1	1	1	1
41022	41022-1032	Tube-Tire,2.25/2.50-17	2	2	2	2	2	2
41023	41023-1002	Band-Rim,2.50/4.60-17(Y)	1	1	1	1	1	1
41025	41025-003	Rim,FR,1.20X17	1	1	1	1	1	1
41025A	41025-006	Rim,RR,1.40X17	1	1	1	1	1	1
41029	41029-1209	Spoke-Inner,161X101D	36	36	36	36	36	36
41030	41030-1124	Spoke-Outer,160.5X83D	36	36	36	36	36	36
41032	41032-024	Nipple-Spoke	72	72	72	72	72	72



### 28. Front Hub (1/2)

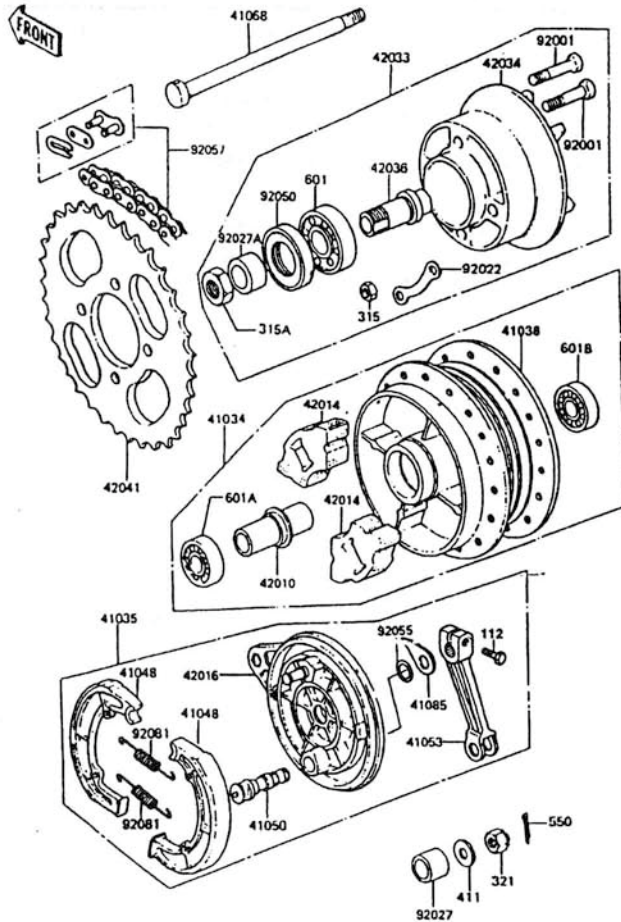
Ref.No.	Part No.	Description	Quantity-AN90					
			'92 F1	'93 G1	'96 F2	'96 G2	'96 F3	'96 G3
41034	41034-1221-GY	Drum-Assy,Front Brake	1	1	1	1	1	1
41035	41035-1299-GY	Panel-Assy-Brake,FR	1	1	1	1	1	1
41038	41038-1244-GY	Drum-Front	1	1	1	1	1	1
41039	41039-002	Collar,L=51	1	1	1	1	1	1
41043	41043-1092-GY	Panel-Brake,FR	1	1	1	1	1	1
41048	41048-017	Shoe-Brake	2	2	2	2	2	2
41050	41050-018	Cam-Brake	1	1	1	1	1	1
41053	41053-005	Lever-Brake Cam	1	1	1	1	1	1
41060	41060-014	Gear-Meter Screw,10T	1	1	1	1	1	1
41060A	41060-1026	Gear-Meter Screw	1	1	1	1	1	1
41062	41062-005	Bushing,SpeedMeter Cable	1	1	1	1	1	1
41063	41063-001	Washer,5.1X9X0.4	2	2	2	2	2	2
41064	41064-010	Receiver-Speedometer	1	1	1	1	1	1
41068	41068-1366	Axle,FR	1	1	1	1	1	1
41069	41069-026	Collar,L=13	1	1	1	1	1	1
41072	41072-007	Nut,6MM	1	1	1	1	1	1
41082	41082-001	Pin,Spring	1	1	1	1	1	1
41085	41085-013	Indicator,Brake Shoe	1	1	1	1	1	1
92050	92050-002	Seal-Oil,Brake Cam	1	1	1	1	1	1
92050A	92050-063	Seal-Oil,TC17317	1	1	1	1	1	1
92055	92055-004	Ring-O,Brake Panel	1	1	1	1	1	1
92081	92081-1766	Spring,Brake Shoe	2	2	2	2	2	2
112	112G0630	Bolt,6X30MM	1	1	1	1	1	1
320	320B1000	Nut-Castle,10Mm	1	1	1	1	1	1
411	411B1000	Washer-Plain,10MM	1	1	1	1	1	1



### 28. Front Hub (2/2)

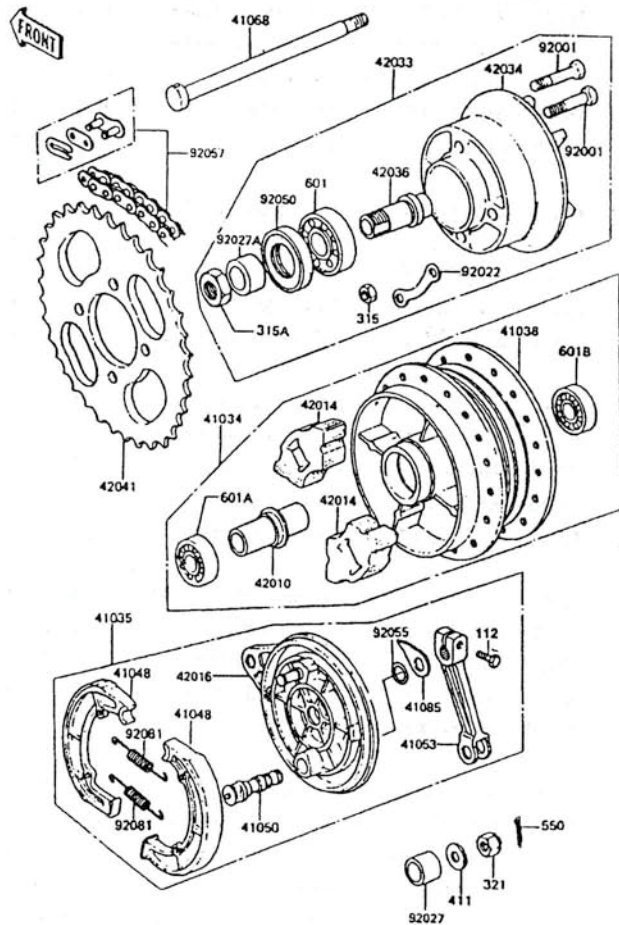
Ref.No.	Part No.	Description	Quantity-AN90					
			'92	'93	'96	'96	'96	'96
			F1	G1	F2	G2	F3	G3
550	550D2525	Pin-Cotter,25X25	1	1	1	1	1	1
601	601B6200	Bearing-Ball,#6200G	1	1	1	1	1	1
601A	601B6300Z	Bearing-Ball,#63002G	1	1	1	1	1	1





## 29. Rear Hub (1/2)

Ref.No.	Part No.	Description	Quantity-AN90					
			'92 F1	'93 G1	'96 F2	'96 G2	'96 F3	'96 G3
41034	41034-1220-GY	Drum-Assy,RR Brake	1	1	1	1	1	1
41035	41035-1298-GY	Panel-Assy-Brake,RR	1	1	1	1	1	1
41038	41038-1243-GY	Drum-Rear	1	1	1	1	1	1
41048	41048-017	Shoe-Brake	2	2	2	2	2	2
41050	41050-012	Cam-Brake	1	1	1	1	1	1
41053	41053-1036	Lever-Brake Cam,RR	1	1	1	1	1	1
41068	41068-1367	Axle,12X217	1	1	1	1	1	1
41085	41085-003	Indicator,Brake Shoe	1	1	1	1	1	1
42010	42010-005	Collar,L=58	1	1	1	1	1	1
42014	42014-016	Damper,RR Hub Shock	4	4	4	4	4	4
42016	42016-1153-GY	Panel-Brake,RR	1	1	1	1	1	1
42033	42033-1148-GY	Coupling-Assy,RR Hub	1	1	1	1	1	1
42034	42034-1116-GY	Coupling,RR Hub	1	1	1	1	1	1
42036	42036-1291	Sleeve	1	1	1	1	1	1
42041	42041-1453	Sprocket-Hub,39T	1	1	1	1	1	1
92001	92001-082	Bolt,Hub Sprocket,10X36	4	4	4	4	4	4
92022	92022-1705	Washer,Lock	2	2	2	2	2	2
92027	92027-1003	Collar,12.2X22X31.5	1	1	1	1	1	1
92027A	92027-1353	Collar,20X26X13.5	1	1	1	1	1	1
92050	92050-009	Seal-Oil,RR	1	1	1	1	1	1
92055	92055-004	Ring-O,Brake Cam	1	1	1	1	1	1
92057	92057-1175	Chain,Drive,EK420MRX100L1	1	1	1	1	1	1
92081	92081-1766	Spring,Brake Shoe	1	1	1	1	1	1
112	112G0622	Bolt,6X22	1	1	1	1	1	1
315	315B1000	Nut-Hex-Fine,10	4	4	4	4	4	4

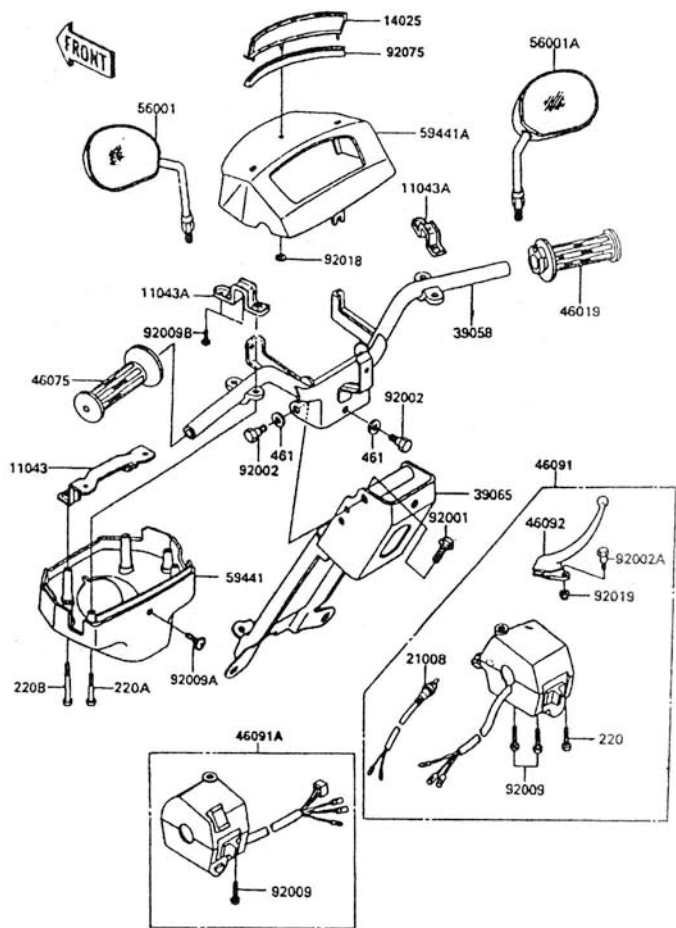


## 29. Rear Hub (2/2)

Quantity-AN90

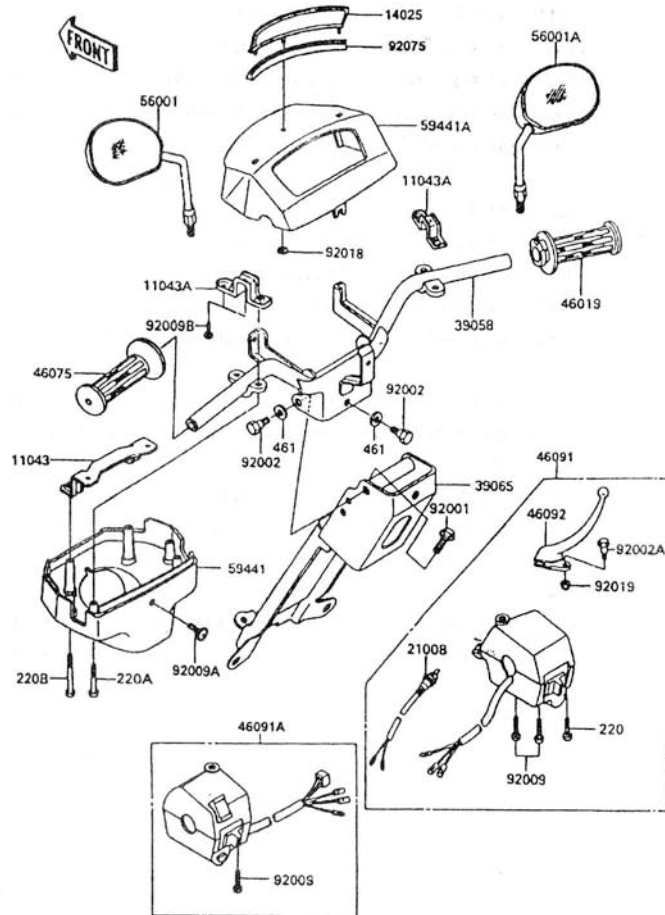
Ref.No.	Part No.	Description	'92	'93	'96	'96	'96	'96
			F1	G1	F2	G2	F3	G3
315A	315B1800	Nut-Hex-Fine,18	1	1	1	1	1	1
321	321B1200	Nut-Castle	1	1	1	1	1	1
411	411B1200	Washer-Plain,12MM	1	1	1	1	1	1
550	550D3025	Pin-Cotter,3.0X25	1	1	1	1	1	1
601	601B6004	Bearing-Ball,#6004G	1	1	1	1	1	1
601A	601B6201Z	Bearing-Ball,#6201ZG	1	1	1	1	1	1
601B	601B6301Z	Bearing-Ball,#6301ZG	1	1	1	1	1	1





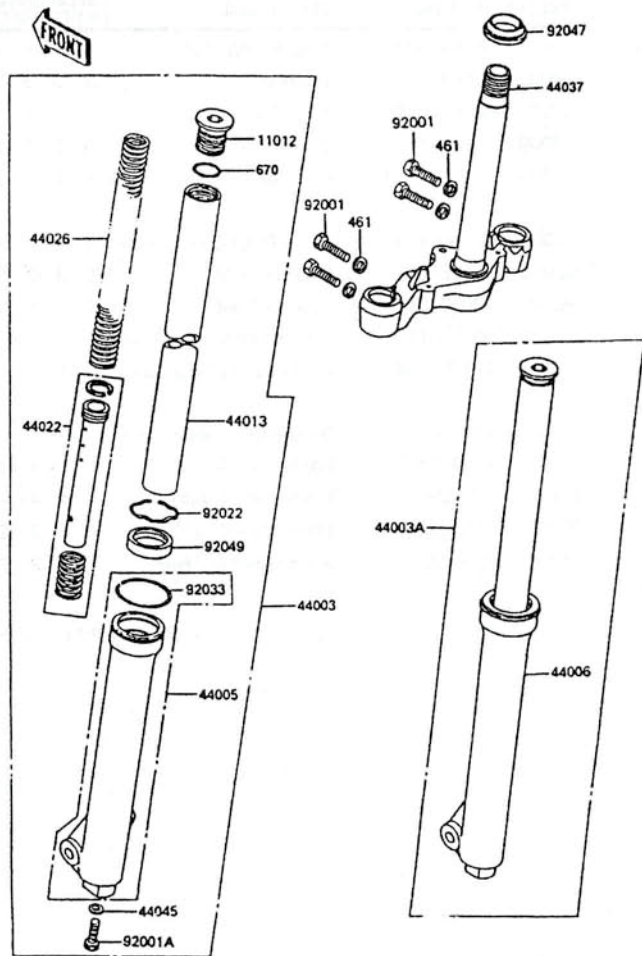
### 31. Handlebar (1/2)

Ref.No.	Part No.	Description	Quantity-AN90					
			'92 F1	'93 G1	'96 F2	'96 G2	'96 F3	'96 G3
11043	11043-1822	Bracket,Meter	1	1	1	1	1	1
11043A	11043-1823	Bracket,Handle Cover,UPP	2	2	2	2	2	2
14025	14025-1705	Cover,Meter Visor			1			
↑	14025-A034	Cover,Meter Visor			1			
↑	14090-A012	Cover,Meter Visor				1	1	1
21008	21008-1052	Switch-Front Brake	1	1	1	1	1	1
39058	39058-1053	Handle-Comp	1	1	1	1	1	1
39065	39065-1053-EK	Holder-Comp-Handle	1	1	1	1	1	1
46019	46019-1057	Grip-Assy,Throttle	1	1				
↑	46019-A002	Grip-Assy,Throttle	1	1				
↑	46019-A005	Grip-Assy,Throttle				1	1	1
46075	46075-1055	Grip,LH	1	1				
↑	46075-A001	Grip,LH	1	1				
↑	46075-A005	Grip,LH				1	1	1
46091	46091-1346	Housing-Assy-Control,RH	1	1	1			
↑	46091-1353	Housing-Assy-Control,RH	1	1	1			
46091A	46091-1347	Housing-Assy-Control,LH	1	1	1	1	1	1
46092	46092-1013	Lever-Grip,Front Brake	1	1	1	1	1	1
56001	56001-1439	Mirror-Assy,LH	1	1				
↑	56001-1455	Mirror-Assy,LH				1	1	1
56001A	56001-1440	Mirror-Assy,RH	1	1				
↑	56001-1456	Mirror-Assy,RH				1	1	1
59441	59441-1056-??	Cover-Handle,LWR	1	1	1	1	1	1
59441A	59441-1114-??	Cover-Handle,UPP	1	1				
↑	59441-A010-??	Cover-Handle,UPP				1	1	1



### 31. Handlebar (2/2)

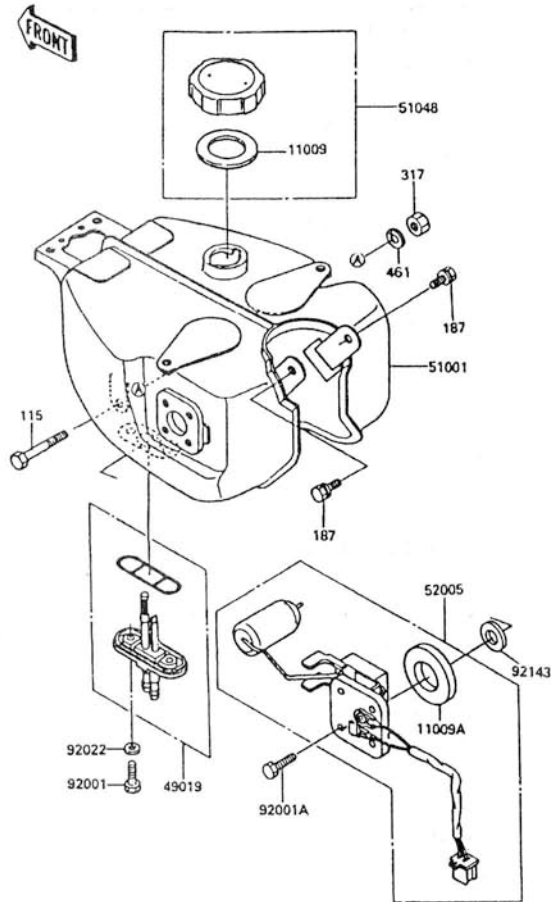
Ref.No.	Part No.	Description	Quantity-AN90					
			'92 F1	'93 G1	'96 F2	'96 G2	'96 F3	'96 G3
92001	92001-1318	Bolt,Steering Stem	1	1	1	1	1	1
92002	92002-1374	Bolt,8MM	3	3	3	3	3	3
92002A	92002-1386	Bolt,5X38	1	1	1	1	1	1
92009	92009-1018	Screw,5X38	5	5	5	5	5	5
92009A	92009-1111	Screw,6X18,White	1	1	1	1	1	1
92009B	92009-1142	Screw,Tapping,4X12,Black	4	4	4	4	4	4
92018	92018-004	Nut,Lock,5MM	3	3	3	3	3	3
92019	92019-014	Nut,Lock,5MM	1	1	1	1	1	1
92075	92075-1674	Damper,Meter Visor Cover	1					
	↑ 92160-1547	Damper,Meter Visor Cover	1					
	↑ 92160-A032	Damper,Meter Visor Cover		1	1	1	1	1
220	220B0530	Screw-Pan-Cros,5X30	1	1	1	1	1	1
220A	220B0545	Screw-Pan-Cros,5X45	4	4	4	4	4	4
220B	220B0570	Screw-Pan-Cros,5X70	2	2	2	2	2	2
461	461F1000	Washer-Spring,10MM	3	3	3	3	3	3



### 32. Front Fork

Quantity-AN90

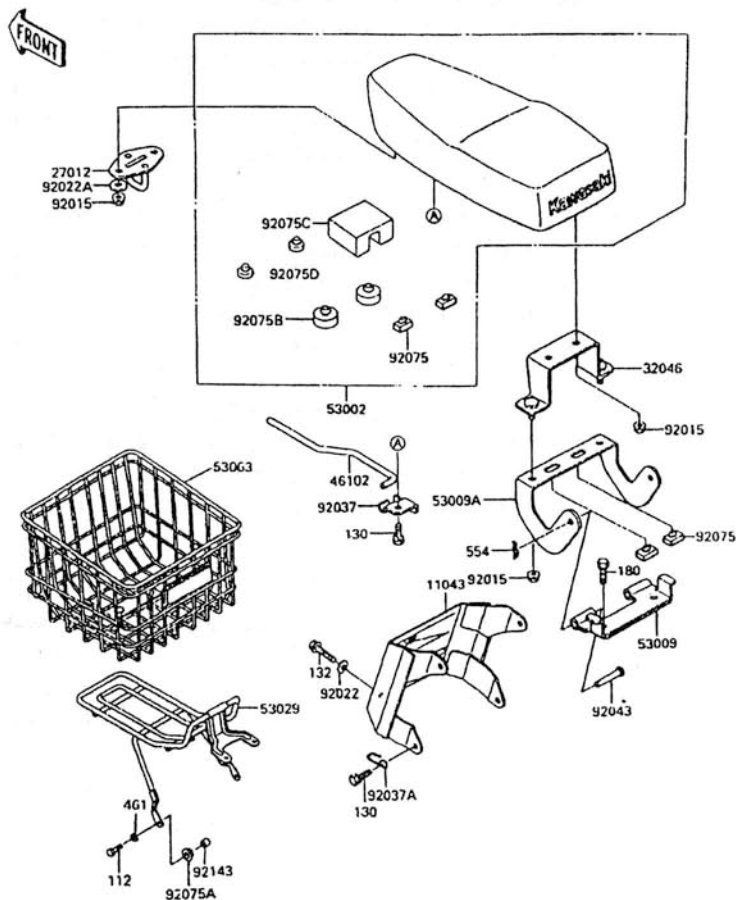
Ref.No.	Part No.	Description	'92	'93	'96	'96	'96	'96
			F1	G1	F2	G2	F3	G3
11012	11012-1173	Cap,Fork Bolt	2	2	2	2	2	2
44003	44003-1595	Damper-Assy,Fork,LH	1	1	1	1	1	1
44003A	44003-1596	Damper-Assy,Fork,RH	1	1	1	1	1	1
44005	44005-1223	Pipe-Left Fork Outer	1	1	1	1	1	1
44006	44006-1223	Pipe-Right Fork Outer	1	1	1	1	1	1
44013	44013-1056	Pipe-Fork Inner	2	2	2	2	2	2
44022	44022-1179	Cylinder-Fork	2	2	2	2	2	2
44026	44026-1298	Spring-Front Fork	2	2	2	2	2	2
44037	44037-1297	Holder-Fork Under	1	1	1	1	1	1
44045	44045-051	Gasket,Fork Cylinder Bolt	2	2	2	2	2	2
92001	92001-1446	Bolt,8X30	4	4	4	4	4	4
92001A	92001-1464	Bolt,Fork Cylinder	2	2	2	2	2	2
92022	92022-1253	Washer,Outer Pipe	2	2	2	2	2	2
92033	92033-1087	Ring-Snap,Outer Pipe	2	2	2	2	2	2
92047	92047-013	Race,Steering Stem Bearing 1.	1	1	1	1	1	1
92049	92049-1071	Seal-Oil,Outer Pipe	2	2	2	2	2	2
461	461F0800	Washer-Spring,8MM	4	4	4	4	4	4
670	670B2018	Ring-O	2	2	2	2	2	2



### 33. Fuel Tank

Quantity-AN90

Ref.No.	Part No.	Description	'92	'93	'96	'96	'96	'96
			F1	G1	F2	G2	F3	G3
11009	11009-1326	Gasket-Tank Cap	1	1	1	1	1	1
11009A	11009-1656	Gasket,Fuel Gauge	1	1	1	1	1	1
49019	49019-1051	Filter-Fuel	1	1	1	1	1	1
51001	51001-1361-SK	Tank-Comp-Fuel	1	1	1	1	1	1
51048	51048-1052	Cap-Assy-Tank	1	1	1	1	1	1
52005	52005-1081	Gauge,Fuel	1	1	1	1	1	1
92001	92001-1091	Bolt,6X20	2	2	2	2	2	2
92001A	92001-1705	Bolt,Fuel Gauge	4	4	4	4	4	4
92022	92022-183	Washer,6.2X11X1.5	2	2	2	2	2	2
92143	92143-1537	Collar,29.4X31.8X4	1	1	1	1	1	1
115	115G0855	Bolt-SmallUpset,8X55	1	1	1	1	1	1
187	187B0612	Bolt-Upset-Wsp,6X12	2	2	2	2	2	2
317	317B0800	Nut-Hex-Small,8MM	1	1	1	1	1	1
461	461F0800	Washer-Spring,8MM	1	1	1	1	1	1

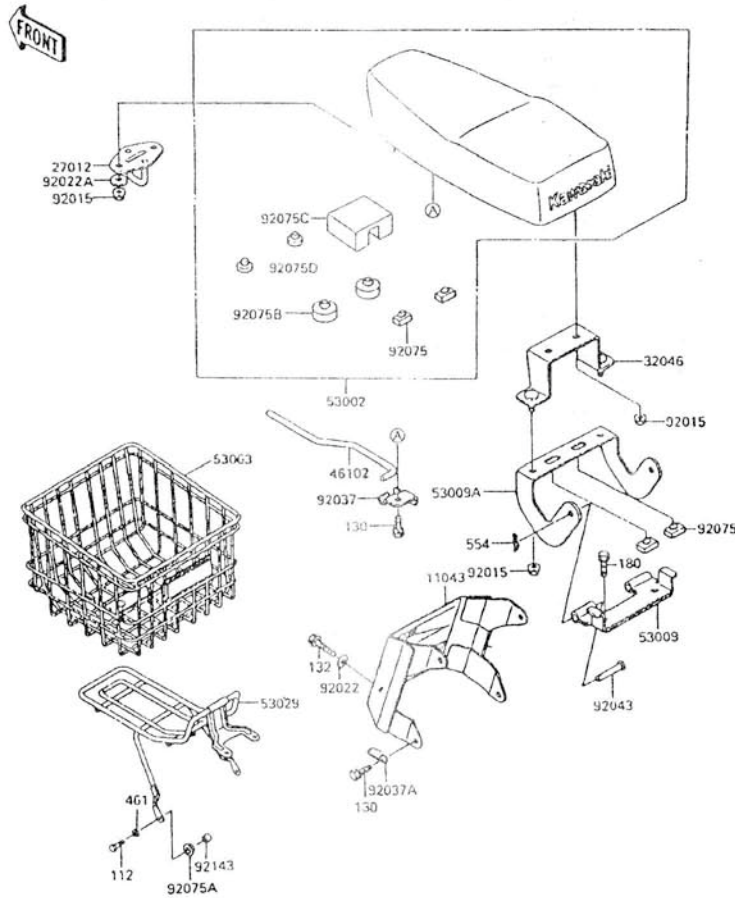


## 34. Seat/Carrier For AN90F1/F2/G1/G2 (1/2)

Quantity-AN90

Ref.No.	Part No.	Description	'92	'93	'96	'96	'96
			F1	G1	F2	G2	F3
11043	11043-1825-EK	Bracket,Carrier	1	1	1	1	1
27012	27012-1320	Hook,Seat	1	1	1	1	
32046	32046-1220	Bracket-Seat	1	1	1	1	
46102	46102-1324	Rod,Seat Stand	1	1	1	1	
53002	53002-A011	Seat-Assy	1				
	↑	53002-A018			1	1	
	↑	53002-1125		1			
	↑	53002-1126		1			
53009	53009-1055	Hinge,Seat	1	1	1	1	
53009A	53009-1056	Hinge,Seat	1	1	1	1	
53029	53029-1131	Carrier	1	1	1	1	1
53063	53063-1051	Basket	1	1	1	1	1
92015	92015-1193	Nut-Flanged,6MM	6	6	6	6	
92022	92022-193	Washer,6.5X20X1.6,White	3	3	3	3	3
92022A	92022-1565	Washer,6.5X16X2	2	2	2	2	
92037	92037-1569	Clamp,Seat	1	1	1	1	
92043	92043-1249	Pin,6X38	2	2	2	2	
92075	92075-099	Damper	2	2	2	2	
92075A	92075-103	Damper	2	2	2	2	2
92075B	92075-1288	Damper,Seat	2	2	2	2	
92075C	92075-1704	Damper,Seat	1	1	1	1	
92075D	92075-281	Damper,Seat	2	2	2	2	
92143	92143-1407	Collar,6.8X10X7	2	2	2	2	2
112	112B0616	Bolt-Upset,6X16	2	2	2	2	2
130	130C0612	Bolt-Upset-Washer,6X12	5	5	5	5	5



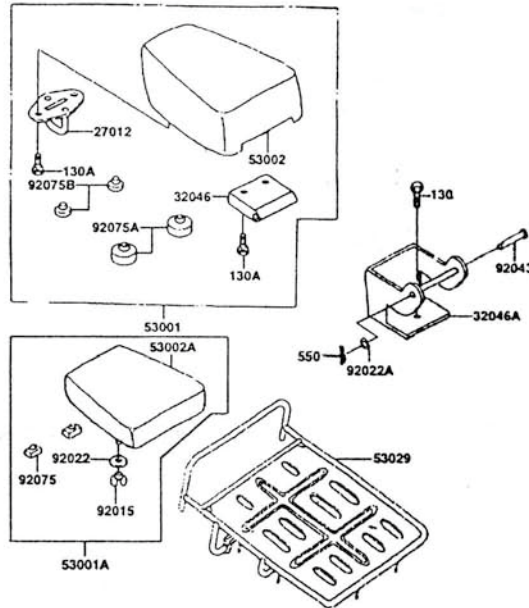


### 34. Seat/Carrier For AN90F1/F2/G1/G2 (2/2)

			Quantity-AN90					
Ref.No.	Part No.	Description	'92	'93	'96	'96	'96	'96
			F1	G1	F2	G2	F3	G3

132	132E0630	Bolt,6X30	3	3	3	3	3	3
180	180B0616	Bolt,6X16	2	2	2	2		
461	461F0600	Washer-Spring,6MM	2	2	2	2	2	2
554	554A0600	Pin-Snap	2	2	2	2		

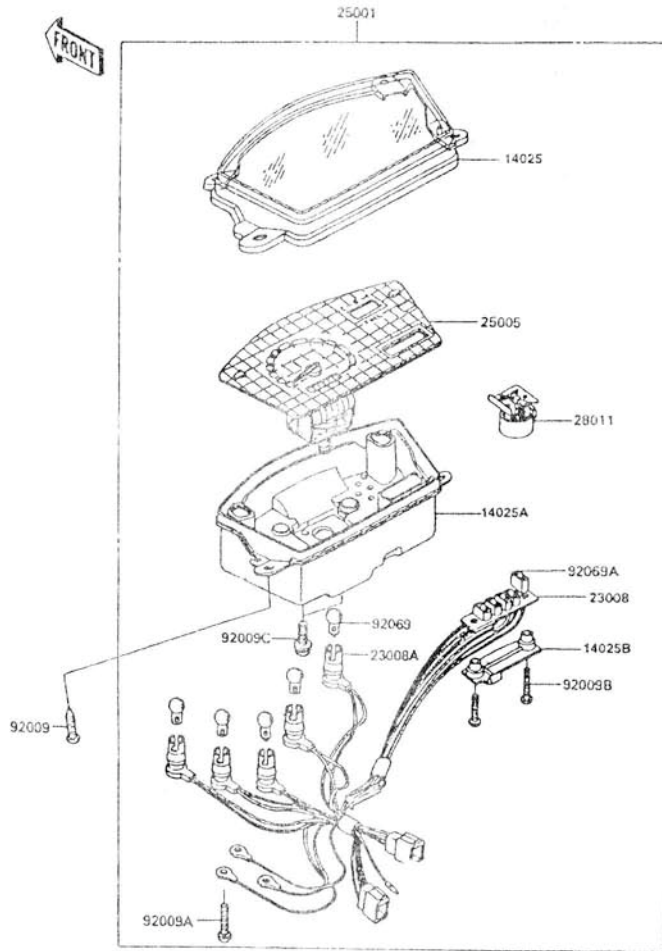
FRONT



### 35. Seat/Carrier For AN90FVG3

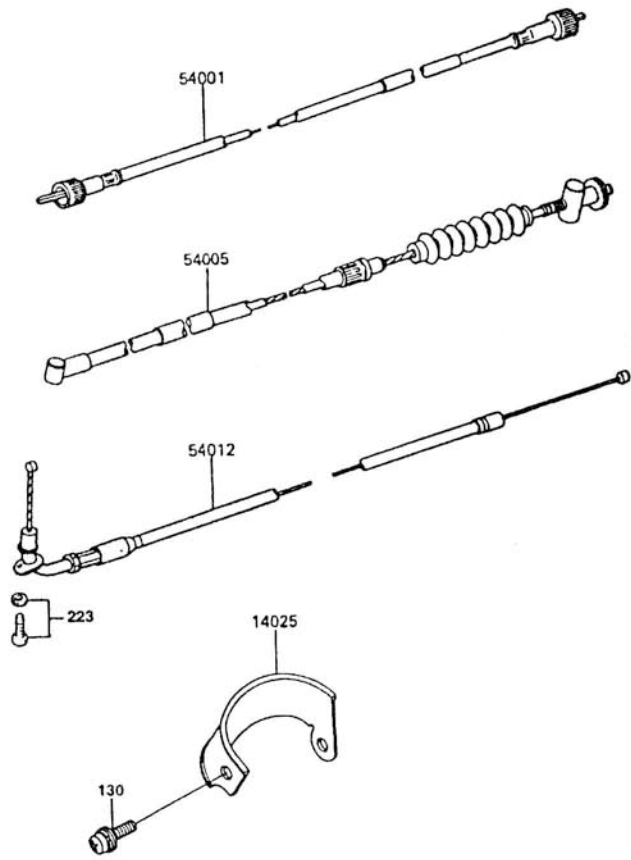
Quantity-AN90

Ref.No.	Part No.	Description	'92	'93	'96	'96	'96	'96
			F1	G1	F2	G2	F3	G3
27012	27012-1320	Hook-Seat						1 1
32046	32046-A005	Bracket-Seat,FR						1 1
32046A	32046-A006	Bracket-Seat,RR						1 1
53001	53001-A026	Seat-Assy,FR						1 1
53001A	53001-A027	Seat-Assy,RR						1 1
53002	53002-A019	Seat,FR						1 1
53002A	53002-A020	Seat,RR						1 1
53029	53029-A004	Carrier						1 1
92015	92015-107	Nut						2 2
92022	92022-1565	Washer,6.5X16X2						2 2
92022A	92022-263	Washer						1 1
92075	92075-009	Damper,Seat						2 2
92075A	92075-1288	Damper,Seat						2 2
92075B	92075-281	Damper,Seat						2 2
92043	92043-A007	Pin						1 1
130	130G0612	Bolt,6X12						2 2
130A	130G0614	Bolt,6X14						4 4
550	550D2015	Pin-Snap						1 1

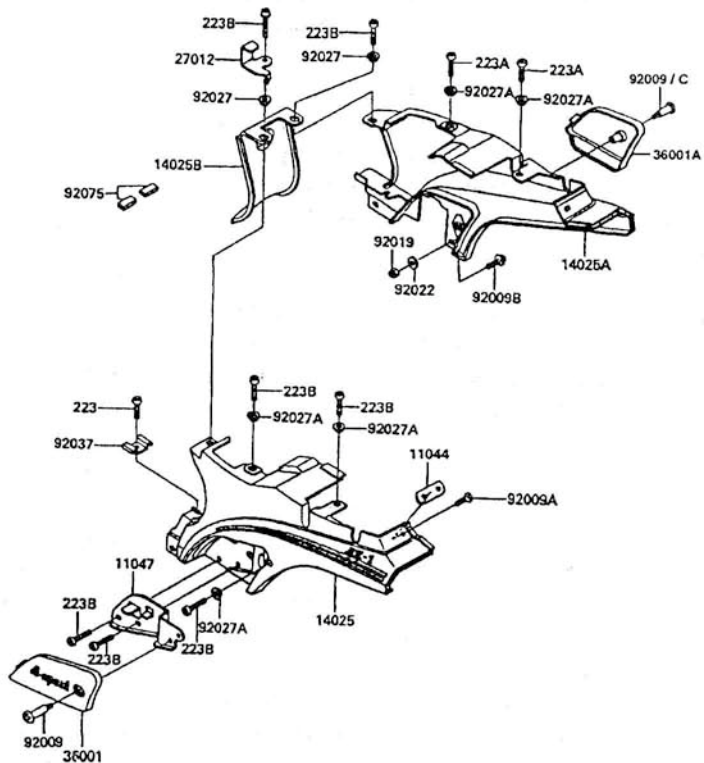


### 36. Meter

Ref.No.	Part No.	Description	Quantity-AN90					
			'92 F1	'93 G1	'96 F2	'96 G2	'96 F3	'96 G3
14025	14025-1976	Cover,Meter Case,UPP	1	1	1	1	1	1
14025A	14025-1977	Cover,Meter Housing	1	1	1	1	1	1
14025B	14025-1978	Cover-Meter	1	1	1	1	1	1
23008	23008-1247	Socket-Assy-Meter	1	1	1	1	1	1
23008A	23008-1250	Socket-Assy-Meter	1	1	1	1	1	1
25001	25001-1583	Meter-Assy,KPH	1	1	1	1	1	1
25005	25005-1289	Speedometer,KPH	1	1	1	1	1	1
28011	28011-1069	Meter-Fuel	1	1	1	1	1	1
92009	92009-1141	Screw,Tapping,4X20	4	4	4	4	4	4
92009A	92009-1293	Screw,3X22	3	3	3	3	3	3
92009B	92009-1391	Screw,Tapping,3X12	2	2	2	2	2	2
92009C	92009-1648	Screw,4X10	2	2	2	2	2	2
92069	92069-1059	Bulb,12V1.7W	5	5	5	5	5	5
92069A	92069-1063	Bulb14V1.1W	5	5	5	5	5	5


**37. Cable**

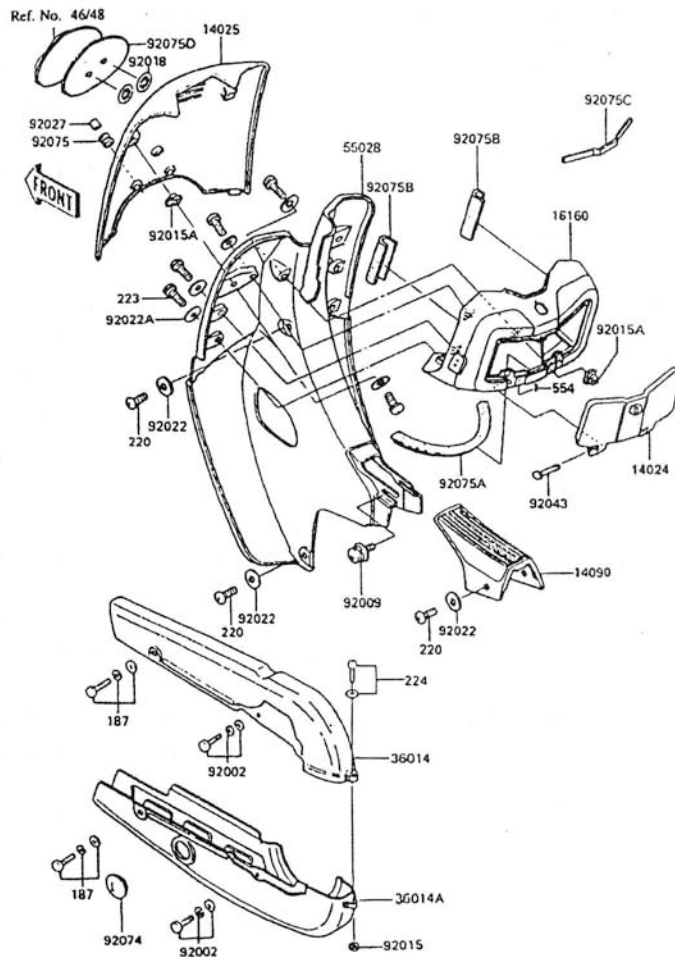
Ref.No.	Part No.	Description	Quantity-AN90					
			'92 F1	'93 G1	'96 F2	'96 G2	'96 F3	'96 G3
14025	14025-1719	Cover,Cable Guide	1	1	1	1	1	1
54001	54001-1032	Cable-Speedometer	1	1	1	1	1	1
54005	54005-1114	Cable-Brake	1	1	1	1	1	1
54012	54012-1224	Cable-Throttle	1	1	1	1	1	1
130	130C0612	Bolt,6X12 MM.	1	1	1	1	1	1
223	223B0510	Screw-Pan-Cros,5X10	1	1	1	1	1	1



### 38. Side Cover

Quantity-AN90

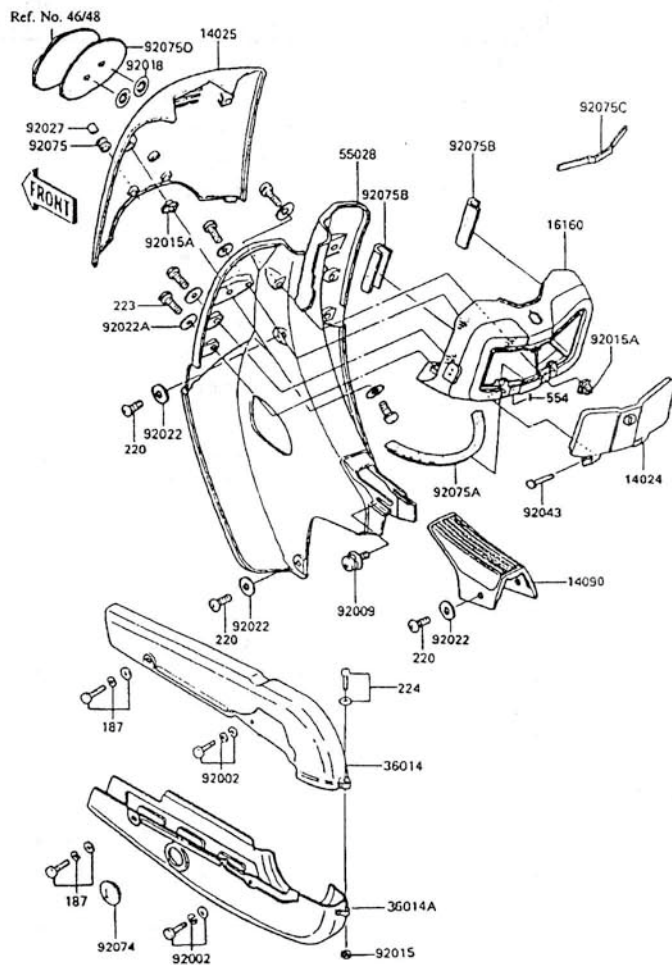
Ref.No.	Part No.	Description	'92	'93	'96	'96	'96	'96
			F1	G1	F2	G2	F3	G3
11044	11044-1070	Bracket,Frame Cover,RR	1	1	1	1	1	1
11047	11047-1730	Bracket,LH Frame	1	1	1	1	1	1
14025	14025-1926-??	Cover,LH Frame	1	1	1	1	1	1
14025A	14025-1927-??	Cover,RH Frame	1	1	1	1	1	1
14025B	14025-1936-??	Cover,Frame,FR	1	1	1	1	1	1
27012	27012-1334	Hook,Helmet	1	1	1	1	1	1
36001	36001-1277-??	Cover,Side,LH	1	1	1	1	1	1
36001A	36001-1278-??	Cover,Side,RH	1	1	1			
	↑ 36001-1286-??	Cover,Side,RH		1	1			
92009	92009-1091	Screw,6X40	2	1	2	1	2	1
92009A	92009-1182	Screw,5X12,Black	2	2	2	2	2	2
92009B	92009-1273	Screw,W/P,6X16	1	1	1	1	1	1
92009C	92009-1376	Screw,6X75		1	1			1
92019	92019-008	Nut,Lock,6MM	1	1	1	1	1	1
92022	92022-024	Washer,7X16X1.2	1	1	1	1	1	1
92027	92027-1181	Collar,L=6.6	2	2	2	2	2	2
92027A	92027-1260	Collar,L=5.1	5	5	5	5	5	5
92037	92037-1570	Clamp,Frame Cover	1	1	1	1	1	1
92075	92075-1706	Damper,Frame Cover	2	2	2	2	2	2
223	223B0610	Screw-Pan-Cros,6X10	1	1	1	1	1	1
223A	223B0614	Screw-Pan-Cros,6X14	2	2	2	2	2	2
223B	223B0616	Screw-Pan-Cros,6X16	7	7	7	7	7	7



### 39. Leg Shield/Chain Case (1/2)

Quantity-AN90

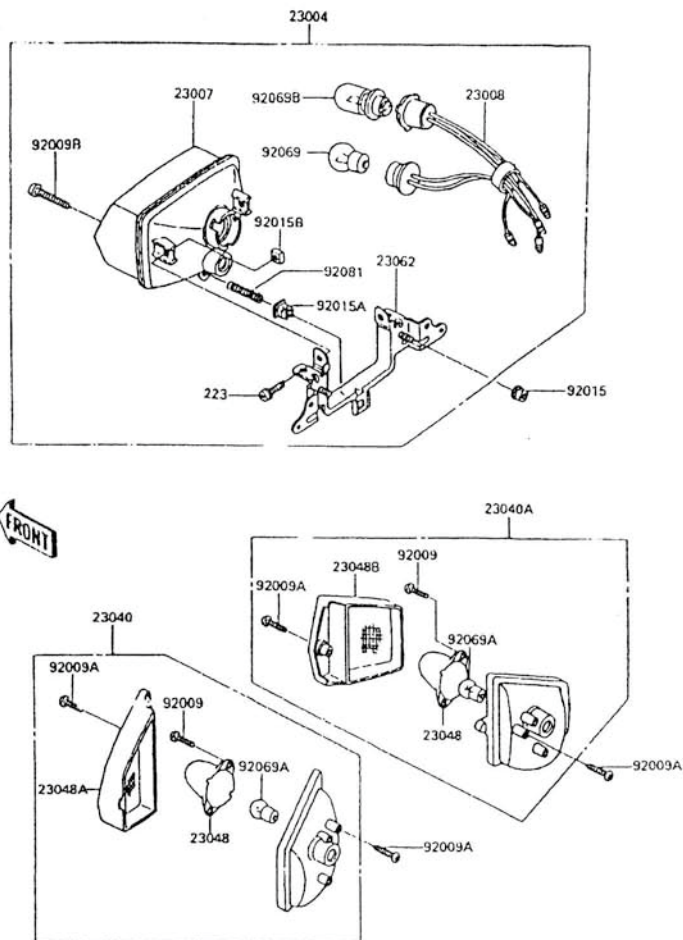
Ref.No.	Part No.	Description	Quantity-AN90					
			'92 F1	'93 G1	'96 F2	'96 G2	'96 F3	'96 G3
14024	14024-1149	Cover,Trunk	1	1	1	1	1	1
↑	14025-1929	Cover,Trunk	1	1	1	1	1	1
↑	14025-A035	Cover,Trunk	1	1				
14025	14025-1928-??	Cover,Leg Shield,FR	1	1				
↑	14025-A050-??	Cover,Leg Shield,FR	1	1	1	1	1	1
14090	14090-1504	Cover,Leg Shield	1	1	1	1	1	1
↑	14025-1934	Cover,Leg Shield	1	1				
↑	14025-A044	Cover,Leg Shield	1					
16160	16160-1071	Body,Trunk	1	1	1	1	1	1
↑	16160-1189	Body,Trunk	1					
↑	16160-A003	Body,Trunk	1	1				
36014	36014-1178	Case-Chain,UPP	1	1	1	1	1	1
36014A	36014-1179	Case-Chain,LWR	1	1	1	1	1	1
55028	55028-1081	Cowling,leg Shield	1	1	1	1	1	1
↑	55028-1279	Cowling,leg Shield	1	1				
↑	55028-A020	Cowling,leg Shield	1					
92002	92002-1133	Bolt,6X14	2	2	2	2	2	2
92009	92009-1283	Screw-Pan-Wsp-Cros	2	2	2	2	2	2
92015	92015-1193	Nut,6MM	1	1	1	1	1	1
92015A	92015-1310	Nut,6MM	10	10	10	10	10	10
92018	92018-A001	Nut-lock	2	2	2	2	2	2
92022	92022-165	Washer,Plain,6MM	6	6	6	6	6	6
92022A	92022-263	Washer,5,2X16X1.2	12	10	12	12	12	12
92027	92027-169	Collar,6,8X10X16	3	3	3	3	3	3
92043	92043-1248	Pin,5X28	2	2	2	2	2	2



### 39. Leg Shield/Chain Case (2/2)

Quantity-AN90

Ref.No.	Part No.	Description	Quantity					
			'92	'93	'96	'96	'96	'96
			F1	G1	F2	G2	F3	G3
92074	92074-004	Plug,34X1	1	1	1	1	1	1
92075	92075-1650	Damper	3	3	3	3	3	3
92075A	92075-1696	Damper,Trunk Body	1	1	1	1	1	1
92075B	92075-1697	Damper,Trunk Body	2	2	2	2	2	2
92075C	92075-1705	Damper,Trunk Body	1	1	1	1	1	1
92075D	56018-A317	Label			1	1	1	1
187	187B0612	Bolt,6X12	2	2	2	2	2	2
220	220E0616	Screw-Pan-Cros,6X16	6	6	6	6	6	6
223	223B0518	Screw-Pan-Cose,5X18	10	10	10	10	10	10
224	224B0628	Screw-Pan-Cros,6X28	1	1	1	1	1	1
554	554A0500	Pin-Snap	2	2	2	2	2	2

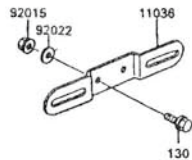
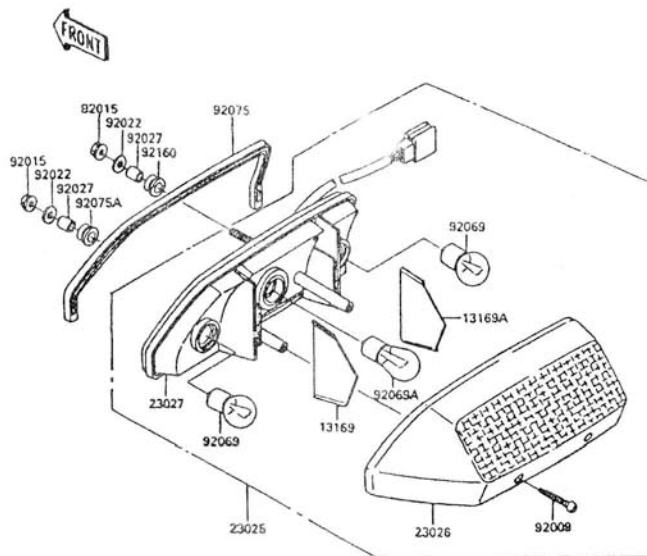


## 40. Head Lamp

Quantity-AN90

Ref.No.	Part No.	Description	'92	'93	'96	'96	'96	'96
			F1	G1	F2	G2	F3	G3
23004	23004-1185	Lamp-Head	1	1	1	1	1	1
23007	23007-1121	Lens-Comp,Head Lamp	1	1	1	1	1	1
23008	23008-1251	Socket-Assy,Head Lamp	1	1	1	1	1	1
23040	23040-1113	Lamp-Signal,FR,LH	1	1				
	↑	23040-A016			1	1	1	1
23040A	23040-1114	Lamp-Signal,FR,RH	1	1				
	↑	23040-A017			1	1	1	1
23048	23048-A078	Lens-Signal Lamp,Inner	2	2	2	2		
23048A	23048-1060	Lens-Signal Lamp,LH	1	1				
	↑	23048-A079			1	1	1	1
23048B	23048-1061	Lens-Signal Lamp,RH	1	1				
	↑	23048-A080			1	1	1	1
23062	23062-1057	Bracket-Comp	1	1	1	1	1	1
92009	92009-A024	Screw			4	4	4	4
92009A	92009-1021	Screw,4X10	4	4	4	4	4	4
92009B	92009-1398	Screw,4X40	1	1	1	1	1	1
92015	92015-1193	Nut,6MM	2	2	2	2	2	2
92015A	92015-1451	Nut,4MM	1	1	1	1	1	1
92015B	92015-1452	Nut,6MM	2	2	2	2	2	2
92069	92069-018	Bulb,12V3.4W	1	1	1	1	1	1
92069A	92069-085	Bulb,12V10W	2	2	2	2	2	2
92069B	92069-1010	Bulb12V25/25W	1	1	1	1	1	1
92081	92081-1896	Screw,Focus Adjust	1	1	1	1	1	1
223	223B0612	Screw-Pan-Cros,6X12	2	2	2	2	2	2

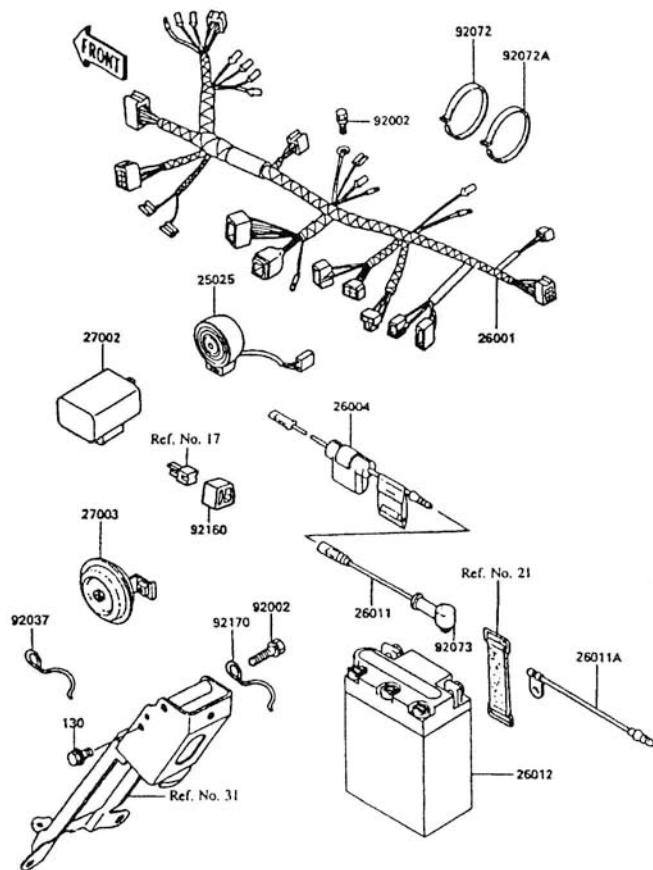




## 41. Tail Lamp

Quantity-AN90					
'92	'93	'96	'96	'96	'96
F1	G1	F2	G2	F3	G3

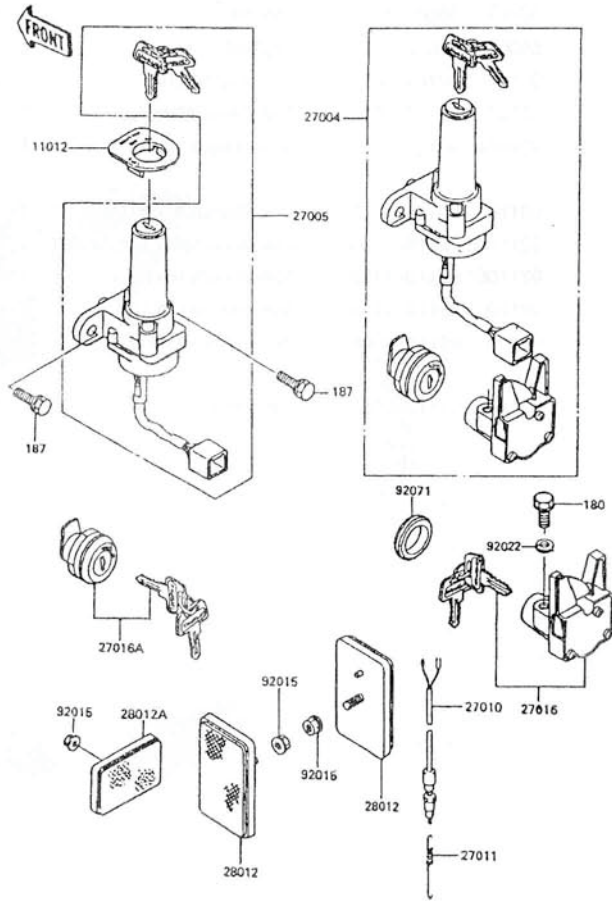
Ref.No.	Part No.	Description	'92	'93	'96	'96	'96	'96
			F1	G1	F2	G2	F3	G3
11036	11036-1040-EK	Bracket-A,License Plate	1	1	1	1	1	1
13169	13169-1828	Plate,Tail Lamp	1	1	1	1	1	1
13169A	13169-1906	Plate,Tail Lamp	1	1	1	1	1	1
23025	23025-1232	Lamp-Tail	1	1				
	↑ 23025-A014	Lamp-Tail			1	1	1	1
23026	23026-1060	Lens,Tail Lamp	1	1				
	↑ 23026-A025	Lens,Tail Lamp			1	1	1	1
23027	23027-1059	Body-Comp-Tail Lamp	1	1	1	1	1	1
92009	92009-1056	Screw,Tapping,4X30	2	2	2	2	2	2
92015	92015-1193	Nut,Flanged,6MM	5	5	5	5	5	5
92022	92022-125	Washer,6.5X20X1.6	5	5	5	5	5	5
92027	92027-162	Collae,6.8X10X12	3	3	3	3	3	3
92069	92069-085	Bulb,12V 10W	2	2	2	2	2	2
92069A	92069-1089	Bulb,12V18/5W	1	1	1	1	1	1
92075	92075-1620	Damper,Tail Lamp	1	1	1	1	1	1
92075A	92075-209	Damper	2	2	2	2	2	2
92160	92160-1318	Damper	1	1	1	1	1	1
130	130B0614	Bolt-Flanged,6X14	2	2	2	2	2	2



## 42. Electrical Equipment

Quantity-AN90

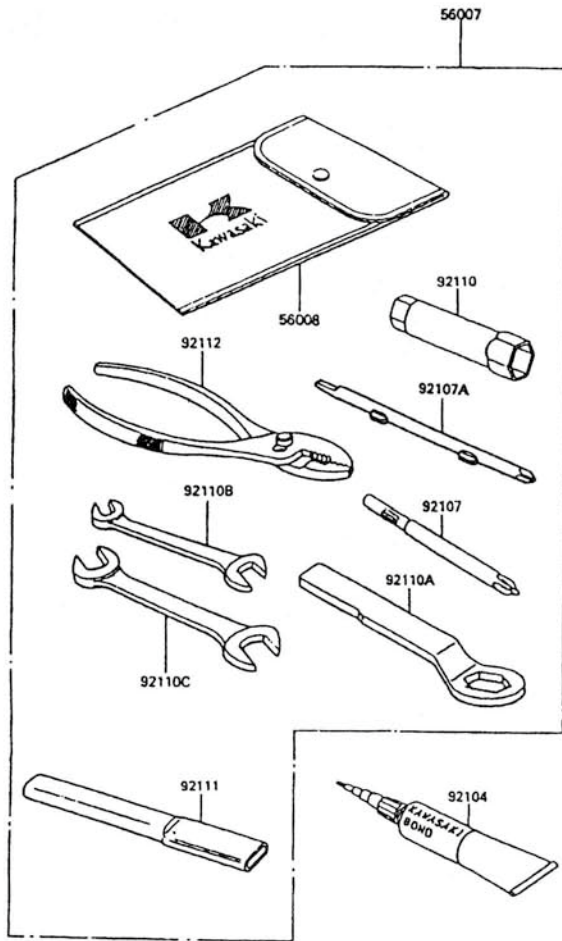
Ref.No.	Part No.	Description	Quantity					
			'92 F1	'93 G1	'96 F2	'96 G2	'96 F3	'96 G3
25025	25025-1001	Warner	1	1	1	1	1	1
26001	26001-1687	Harness,Main		1		1		1
	↑ 26030-1149	Harness,Main		1		1		1
26004	26004-026	Fuse-Assy	1	1	1	1	1	1
26011	26011-1121	Wire-Lead,(-)	1		1		1	
	↑ 26011-1149	Wire-Lead,(-)		1		1		1
26011A	26011-1122	Wire-Lead,(+)	1		1		1	
	↑ 26011-1150	Wire-Lead,(+)		1		1		1
26012	26012-1064	Battery,12N5.5A-3B	1		1		1	
	↑ 26012-1066	Battery,12V3A			1		1	
	↑ 26012-1266	Battery,12V3AH			1			
27002	27002-1057	Relay-Assy,Turn Signal	1	1	1	1	1	1
27003	27003-1375	Horn	1	1	1	1	1	1
92037	92037-1580	Clamp,Harness	1	1	1	1	1	1
92072	92072-032	Band,L=218	1	1	1	1	1	1
92072A	92072-1087	Band,L=278	1	1	1	1	1	1
92073	92073-019	Damper	1	1	1	1	1	1
92160	92160-1107	Damper	1	1	1	1	1	1
92170	92170-1277	Clamp,Harness	2	2	2	2	2	2
130	130H0612	Bolt-Flanged,6X12	1	1	1	1	1	1
187	187B0614	Bolt-Upset-Ws,6X14	2	2	2	2	2	2



### 43. Ignition Switch

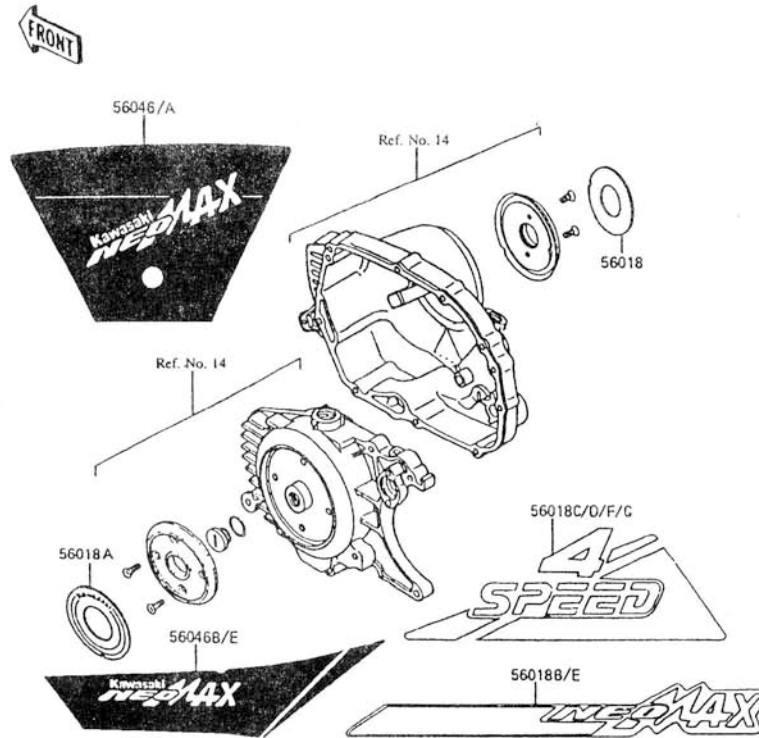
Quantity-AN90

Ref.No.	Part No.	Description	'92	'93	'96	'96	'96	'96
			F1	G1	F2	G2	F3	G3
11012	11012-1412	Cap,Switch	1	1	1	1	1	1
27004	27004-5250	Switch-Assy	1	1	1	1	1	1
27005	27005-1110	Switch-Assy-Ignition	1	1	1	1	1	1
27010	27010-1019	Switch,Rear Brake	1	1	1	1	1	1
27011	27011-014	Spring-Switch	1	1	1	1	1	1
27016	27016-5085	Lock-Assy,Seat	1	1	1	1	1	1
27016A	27016-5155	Lock-Assy,Trunk	1	1	1	1	1	1
28012	28012-1075	Reflector-Reflex	2	2	2	2	2	2
28012A	28012-1076	Reflector-Reflex	1	1	1	1	1	1
92015	92015-1259	Nut,Flanged,5MM	3	3	3	3	3	3
92022	92022-1565	Washer,6.5X16X2	2	2	2	2	2	2
92071	92071-1049	Grommet,Seat Cover	1	1	1	1	1	1
180	180B0610	Bolt-Upset-Ws,6X10	2	2	2	2	2	2
187	187G0616	Bolt-Upset-Wsp,6X16	2	2	2	2	2	2

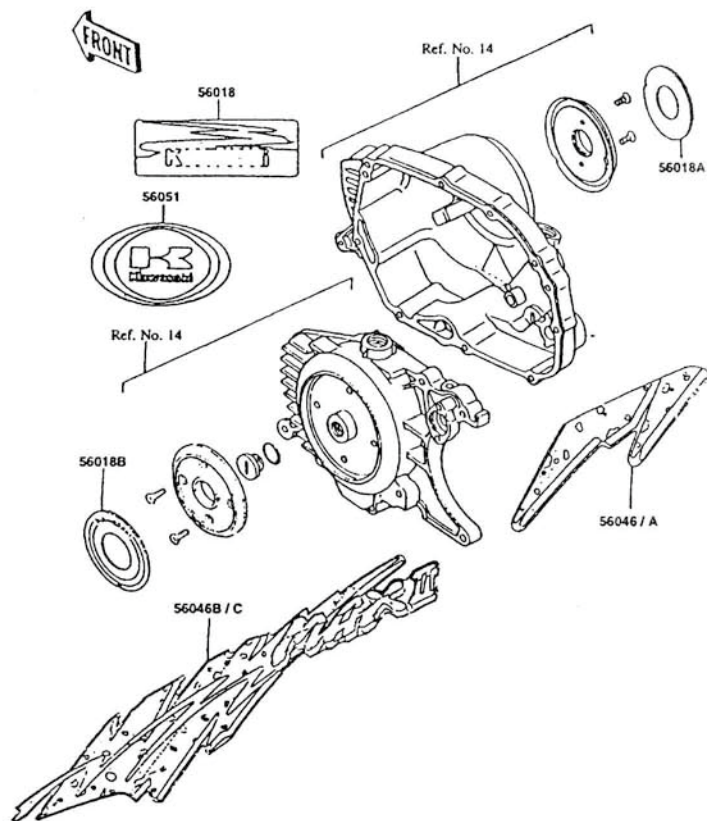


#### 44. Tool

Ref.No.	Part No.	Description	Quantity-AN90					
			'92 F1	'93 G1	'96 F2	'96 G2	'96 F3	'96 G3
56007	56007-1353	Tool-Kit	1	1	1	1	1	1
56008	56008-1007	Bag,Tool	1	1	1	1	1	1
92104	92104-002	Gasket-Liquid,Tube	1	1	1	1	1	1
92107	92107-005	Tool-Driver,#3Phillips	1	1	1	1	1	1
92107A	92107-1051	Tool-Driver,#2Phillips&Slot	1	1	1	1	1	1
92110	92110-1116	Tool-Wrench,Box,#16MM	1	1	1	1	1	1
92110A	92110-1150	Tool-Wrench,Box End,24MM1	1	1	1	1	1	1
92110B	92110-1152	Tool-Wrench,10X12	1	1	1	1	1	1
92110C	92110-1153	Tool-Wrench,14X17	1	1	1	1	1	1
92111	92111-1051	Tool-Bar,Box End Wrench	1	1	1	1	1	1
92112	92112-003	Tool-Pliers	1	1	1	1	1	1


**45. Label (AN90F1)**
**Quantity-AN90**

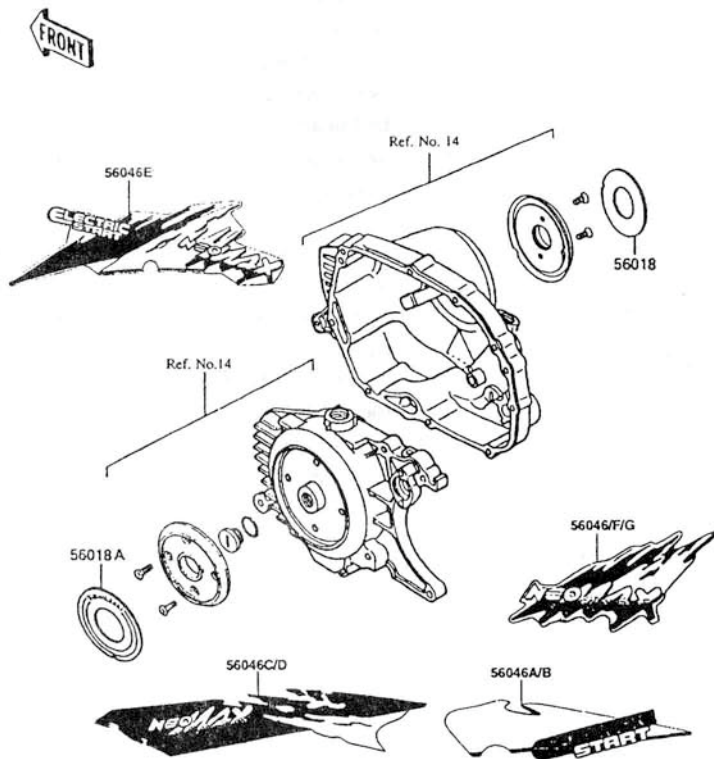
Ref.No.	Part No.	Description	Quantity					
			'92 F1	'93 G1	'96 F2	'96 G2	'96 F3	'96 G3
56018	56018-1452	Mark,Clutch Cover						1
56018A	56018-1453	Mark,Generator Cover						1
56018B	56018-A210	Mark,NEOMAX,(White)						1
56018C	56018-A211	Mark,4 SPEED,LH,(White)						1
56018D	56018-A212	Mark,4 SPEED,RH,(White)						1
56018E	56018-A213	Mark,NEOMAX,(White)						1
56018F	56018-A214	Mark,4 SPEED,LH,(Black)						1
56018G	56018-A215	Mark,4 SPEED,RH,(Black)						1
56046	56046-A497	Pattern-Cover-Front,(White)						1
56046A	56046-A498	Pattern-Cover-Front,(Black)						1
56046B	56046-A499	Pattern-Cover-Framе,LH (Black)						1
56046C	56046-A500	Pattern-Cover-Framе,RH (Black)						1
56046D	56046-A509	Pattern-Cover-Framе,LH (White)						1
56046E	56046-A510	Pattern-Cover-Framе,RH (White)						1



## 46. Label (A/F1/F2/F3)

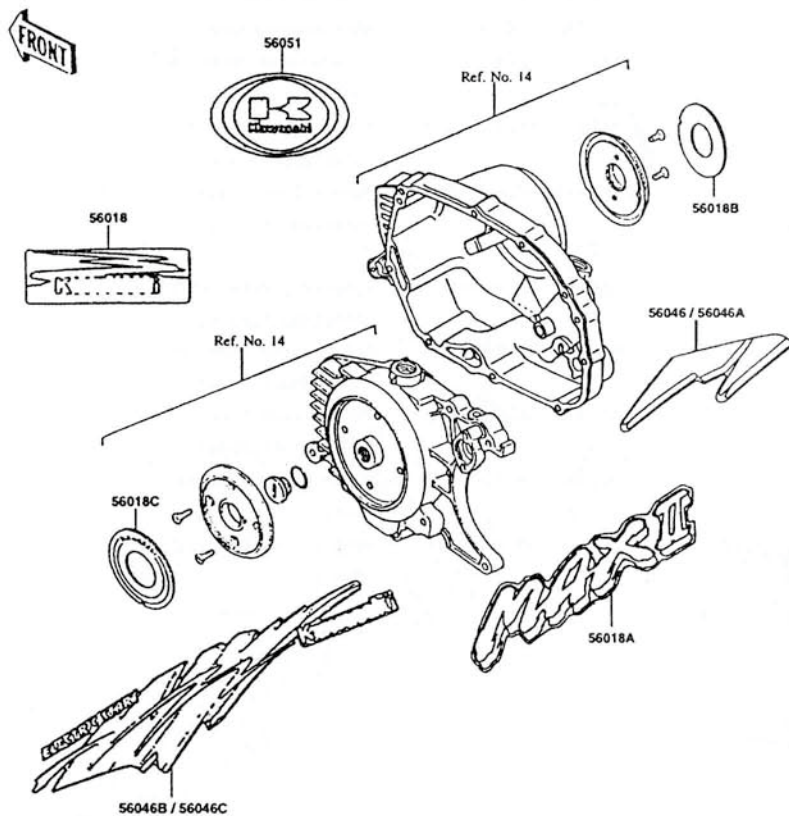
Quantity-AN90

Ref.No.	Part No.	Description	'92	'93	'96	'96	'96
			F1	G1	F2	G2	F3
56018	56018-A277	Mark,Basket			1		1
56018B	56018-1452	Mark,Clutch Cover			1		1
56018C	56018-1453	Mark,Generator Cover			1		1
56046	56046-A834	Pattern-Cover-Side,LH (Green),(Red)			1		1
56046A	56046-A835	Pattern-Cover-Side,RH (Green),(Red)			1		1
56046B	56046-A836	Pattern-Cover-Frame,LH (Green),(Red)			1		1
56046C	56046-A837	Pattern-Cover-Frame,RH (Green),(Red)			1		1
56051	56014-A031	Pattern-Cover-Front (Green),(Red)			1		1



## 47. Label (AN90G1)

Ref.No.	Part No.	Description	Quantity-AN90					
			'92 F1	'93 G1	'96 F2	'96 G2	'96 F3	'96 G3
56018	56018-1452	Mark,Clutch Cover						1
56018A	56018-1453	Mark,Generator Cover						1
56046	56046-A624	Pattern-Cover-Hand,Upp (Gray)						1
56046A	56046-A625	Pattern-Cover-Side,LH (White),(Black),(Gray)						1
56046B	56046-A626	Pattern-Cover-Side,RH (White),(Black),(Gray)						1
56046C	56046-A627	Pattern-Cover-Frame,LH (White),(Black),(Gray)						1
56046D	56046-A628	Pattern-Cover-Frame,RH (White),(Black),(Gray)						1
56046E	56046-A629	Pattern-Cover-Front (White),(Black),(Gray)						1
56046F	56046-A630	Pattern-Cover-Hand,Upp (Black)						1
56046G	56046-A651	Pattern-Cover-Hand,Upp (White)						1



## 48. Label (AN90G2/G3)

Quantity-AN90						
	'92	'93	'96	'96	'96	'96
	F1	G1	F2	G2	F3	G3

Ref.No.	Part No.	Description				
56018	56018-A277	Mark,Basket			1	1
56018A	56018-A312	Mark,MAX II (Green),(Brown),(Red)			1	1
56018B	56018-1452	Mark,Clutch Cover			1	1
56018C	56018-1453	Mark,Generator Cover			1	1
56046	56046-A830	Pattern-Cover-Side,LH (Green),(Brown),(Red)			1	1
56046A	56046-A831	Pattern-Cover-Side,RH (Green),(Brown),(Red)			1	1
56046B	56046-A832	Pattern-Cover-Frame,LH (Green),(Brown),(Red)			1	1
56046C	56046-A833	Pattern-Cover-Frame,RH (Green),(Brown),(Red)			1	1
56051	56014-A031	Pattern-Cover-Front (Green),(Brown),(Red)			1	1



## Numerical Parts Index

'92-'96 AN90-F1/G1/F2/G2/F3/G3

Part No.	Grid No.	Part No.	Grid No.	Part No.	Grid No.	Part No.	Grid No.	Part No.	Grid No.	Part No.	Grid No.	Part No.	Grid No.
110G0622	29	220G0530	31	461F0800	33	11009-A015	4	13034-1030	7	13169-1828	41	14073-1228	3
112B0616	34	220X0612	13	461F1000	22	11011-1407	3	13035-1051	7	13169-1906	41	14090-1146-??	25
112C1030	26	220X0620	1	461F1000	30	11012-1173	32	13037-1231	7	13169-1906	41	14090-1504	39
112G0610	6	220X0625	19	461F1000	31	11012-1294	9	13037-1263	7	13169-1907	19	14090-A012	31
112G0630	28	220X0635	13	461F1200	23	11012-1303	1	13037-1509	7	13169-1947	15	15003-1270	15
113B1245	23	220X0640	19	480J1600	8	11012-1354	19	13044-5032	7	13169-1949	15	16002-004	15
1580855	33	220X0675	13	480J1700	10	11012-1412	43	13063-002	8	13193-1054	19	16003-004	15
120P0612	19	221B0510	14	482L5000	8	11012-1457	14	13064-1046	8	13206-1006	8	16004-1057	15
130B0612	34	223B0412	15	550D2015	22	11012-1740	20	13066-1017	8	13216-1058	9	16007-1109	5
130C0612	37	223B0414	15	550D2015	30	11012-1846	3	13070-1035	8	13235-1057	13	16007-1116	15
150G0612	35	223B0510	37	550D2015	35	11013-1119	3	13070-1046	13	13236-1116	12	16009-1272	15
150G0614	35	223B0518	39	550D2525	28	11013-1127	3	13078-1052	8	13239-1114	11	16012-019	15
130H0612	42	223B0610	38	550D3025	29	11036-1040-EK	41	13081-1206	9	13260-1045	10	16014-1020	15
130Y0616	6	223B0612	40	550D3030	30	11043-1822	31	13086-1054	9	13260-1311	10	16016-1002	15
130Y0616	14	223B0614	38	551A0306	7	11043-1823	31	13088-1012	9	13260-1312	10	16017-1289	15
130Y0620	1	223B0616	38	554A0500	39	11043-1825-EK	34	13089-1006	9	14002-1336	13	16021-1113	15
130Y0625	6	223D0406	19	554A0600	34	11044-1070	38	13089-1061	9	14002-1341	13	16025-1187	15
131G08105	21	223D0516	19	554A0800	30	11047-1548	25	13089-1069	9	14002-1355	13	16030-1061	15
131G0875	21	224B0628	39	600A0600	20	11047-1730	38	13091-1323	3	14014-1064	12	16031-1061	15
132J0614	4	233C0610	4	600A0600	8	11060-1488	4	13096-1064	9	14020-1058	6	16038-022	15
180B0610	43	235B0512	14	601A0404	7	11060-1500	6	13097-1121	7	14020-1092	9	16038-024	15
180B0616	34	235D0614	3	601A6002Z	6	11060-1506	2	13102-1073	9	14024-1149	39	16039-015	15
180B0622	25	311B0600	19	601A6200Z	9	11060-1507	14	13107-1142	19	14025-1677	14	16060-1061	1
183B0818	24	311B0600	22	601A6201	13	11060-1587	14	13107-1143	19	14025-1692	1	16073-1060	1
185B0818	21	311B0600	25	601A6203	13	11060-1661	14	13114-1054	9	14025-1705	31	16082-1052	16
186B0614	41	314B1000	22	601B6004	29	12004-1055	5	13116-1105	6	14025-1719	37	16085-1114	7
187B0612	33	314B1000	30	601B6200	28	12005-1055	5	13119-1056	9	14025-1866	14	16085-1257	19
187B0612	39	314B1200	23	601B6201Z	29	12009-1052	5	13127-1124	10	14025-1926-??	38	16085-1264	19
187B0614	42	315B1000	29	601B6300Z	28	12011-1002	5	13128-1123	10	14025-1927-??	38	16097-1052	16
187B0620	25	315B1800	29	601B6301Z	29	12016-5005	5	13129-1614	10	14025-1928	39	16115-1053	14
187G0616	43	315C1000	26	670B1508	9	12020-1009	5	13129-1618	10	14025-1929	39	16160-1071	39
220B0306	15	317B0800	33	670B1509	15	12046-1035	6	13129-1619	10	14025-1934	39	16160-1189	39
220B0512	9	320B1000	28	670B1510	16	12046-1050	7	13129-1641	10	14025-1936-??	38	16160-A003	39
220B0514	17	321B1200	29	670B2018	32	12049-1059	6	13140-1118	11	14025-1976	36	18002-A021	4
220B0516	18	410B0600	30	11004-1256	1	12053-1154	6	13140-1119	11	14025-1977	36	18090-1378	4
220B0545	31	410B1000	22	11005-1389	2	12053-1155	6	13144-1045	10	14025-1978	36	21002-1173	17
220B0570	31	410B1200	23	11008-1125	1	13001-1218	2	13151-1053	14	14025-A034	31	21002-1176	17
220B0612	17	410B1400	30	11009-1326	33	13002-1055	2	13156-1102	12	14025-A035	39	21003-1126	17
220B0614	5	411B0800	9	11009-1332	13	13008-1059	2	13156-1396	12	14025-A044	39	21003-1127	17
220B0614	12	411B1000	28	11009-1344	13	13024-1059	2	13157-004	12	14025-A050-??	39	21007-1122	14
220B0614	13	411B1200	29	11009-1527	15	13025-1059	2	13161-1116	12	14026-1113	14	21008-1052	31
220B0625	6	461F0600	19	11009-1528	15	13027-1124	2	13168-1241	12	14031-1171	14	21027-004	19
220B0625	16	461F0600	25	11009-1542	14	13031-1177	7	13168-1271	15	14031-1179	14	21049-1017	17
220B0630	16	461F0600	34	11009-1656	33	13031-1200	7	13168-1272	15	14032-1223	14	21050-1112	17
220E0616	39	461F0800	32	11009-1770	4	13032-1064	7	13169-1809	15	14073-1188	3	21050-1113	17

## Numerical Parts Index

'92~'96 AN90-F1/G1/F2/G2/F3/G3

Part No.	Grid No.	Part No.	Grid No.	Part No.	Grid No.	Part No.	Grid No.	Part No.	Grid No.	Part No.	Grid No.	Part No.	Grid No.
21061-1003	17	27010-1314	19	39184-1056	19	43010-1071	30	53002-A018	34	56046-A500	45	92002-1386	31
21066-1070	17	27011-014	43	41002-1154	27	43011-1102	30	53002-A019	35	56046-A509	45	92002-1448	14
21119-1402	17	27012-1320	34	41002-1155	27	43012-001	30	53002-A020	35	56046-A510	45	92002-1753	9
21121-1051	18	27012-1320	35	41022-1032	27	43029-A004	35	53009-1055	34	56046-A624	47	92004-1127	1
21152-1001	17	27012-1334	38	41023-1002	27	43049-1052	15	53009-1056	34	56046-A625	47	92004-1134	1
21160-1003	18	27016-5085	43	41025-003	27	43092-1013	31	53029-1131	34	56046-A626	47	92009-1018	31
21163-1082	19	27016-5155	43	41025-006	27	44003-1595	32	53063-1051	34	56046-A627	47	92009-1021	40
23004-1185	40	28011-1069	36	41029-1209	27	44003-1596	32	54001-1032	37	56046-A628	47	92009-1056	41
23007-1121	40	28012-1075	43	41030-1124	27	44005-1223	32	54005-1114	37	56046-A629	47	92009-1091	38
23008-1247	36	28012-1076	43	41032-024	27	44006-1223	32	54012-1224	37	56046-A630	47	92009-1104	8
23008-1250	36	32002-1765-EK	20	41034-1220-GY	29	44013-1056	32	55020-1418	4	56046-A651	47	92009-1109	5
23008-1251	40	32002-A006	20	41034-1221-GY	28	44022-1179	32	55020-1521	19	56046-A830	48	92009-1111	31
23025-1001	42	32032-1516	13	41035-1298-GY	29	44026-1298	32	55020-A003	49	56046-A831	48	92009-1141	36
23025-1232	41	32033-1166	13	41035-1299-GY	28	44037-1297	32	55020-A004	49	56046-A832	48	92009-1142	31
23025-A014	41	32046-1220	34	41038-1243-GY	29	44045-051	32	55020-A007	49	56046-A833	48	92009-1182	38
23026-1060	41	32046-A005	35	41038-1244-GY	28	45014-1523	23	55020-A008	49	56046-A834	46	92009-1273	38
23026-A025	41	32046-A006	35	41039-002	28	45017-012	23	55028-1081	39	56046-A835	46	92009-1283	39
23027-1059	41	32069-1228	4	41043-1092-GY	28	46019-1057	31	55028-1279	39	56046-A836	46	92009-1288	25
23040-1113	40	32085-1129	5	41048-017	28	46019-A002	31	55028-A020	39	56046-A837	46	92009-1293	36
23040-1114	40	32098-1052	21	41048-017	29	46019-A005	31	56001-1439	31	56051-1013	46	92009-1310	14
23040-A016	40	32109-1246	21	41050-012	29	46075-1055	31	56001-1440	31	56051-1013	48	92009-1314	14
23040-A017	40	32160-A021-EK	20	41050-018	28	46075-A001	31	56001-1455	31	59051-1127	8	92009-1354	3
23048-1060	40	33001-1397-EK	22	41053-005	28	46075-A005	31	56001-1456	31	59061-1052	9	92009-1356	14
23048-1061	40	33032-039	22	41053-1036	29	46091-1346	31	56007-1353	44	59441-1056-??	31	92009-1357	14
23048-A078	40	33040-1006	22	41060-014	28	46091-1347	31	56018-1452	45	59441-1114-??	31	92009-1358	14
23048-A079	40	33040-1013	22	41060-1026	28	46091-1353	31	56018-1452	46	59441-A010-??	31	92009-1376	38
23048-A080	40	34003-1220-EK	24	41062-005	28	46102-1324	34	56018-1452	47	92001-082	29	92009-1391	36
23062-1057	40	34003-1408	24	41063-001	28	49002-1056	1	56018-1452	48	92001-1091	33	92009-1398	40
25001-1583	36	34011-1163-EK	26	41064-010	28	49006-1084	15	56018-1453	45	92001-1155	6	92009-1648	36
25005-1289	36	34019-1057	30	41068-1366	28	49019-1051	33	56018-1453	46	92001-1446	32	92009-A024	40
26001-1687	42	34024-1063-EK	26	41068-1367	29	49019-1054	15	56018-1453	47	92001-1455	13	92015-042	30
26004-026	42	34025-008	26	41069-026	28	49023-1051	19	56018-1453	48	92001-1464	32	92015-077	7
26011-1121	42	34025-008	26	41072-007	28	49047-1058	11	56018-A210	45	92001-1705	33	92015-107	35
26011-1122	42	34028-1320	22	41082-001	28	49078-1054	5	56018-A211	45	92001-1762	21	92015-1136	9
26011-1149	42	35004-1161-??	25	41085-003	29	49118-1052	6	56018-A212	45	92001-1813	31	92015-1137	5
26011-1150	42	35019-1141	25	41085-013	28	51001-1361-SK	33	56018-A213	45	92001-1827	14	92015-1193	34
26011-1620	19	35023-1144	25	42010-005	29	51036-1052	15	56018-A214	45	92001-1860	25	92015-1193	39
26012-1064	42	35023-1395	25	42014-016	29	51048-1052	33	56018-A215	45	92001-1863	25	92015-1193	40
26012-1066	42	36001-1277-??	38	42016-1153-GY	29	52005-1055	14	56018-A277	46	92002-1133	39	92015-1193	41
26012-1266	42	36001-1278-??	38	42033-1148-GY	29	52005-1081	33	56018-A277	48	92002-1235	1	92015-1259	43
27002-1057	42	36001-1286-??	38	42034-1116-GY	29	53001-A026	35	56018-A312	46	92002-1237	8	92015-1310	39
27003-1375	42	36014-1178	39	42036-1291	29	53001-A027	35	56018-A312	48	92002-1237	12	92015-1341	9
27004-5250	43	36014-1179	39	42041-1453	29	53002-1125	34	56046-A497	45	92002-1369	1	92015-1347	7
27005-1110	43	39058-1053	31	43001-1308	30	53002-1126	34	56046-A498	45	92002-1370	1	92015-1365	4
27010-1019	43	39065-1053-EK	31	43007-1177-SI	30	53002-A011	34	56046-A499	45	92002-1374	31	92015-1406	21

## Numerical Parts Index

'92-'96 AN90-F1/G1/F2/G2/F3/G3

Part No.	Grid No.	Part No.	Grid No.	Part No.	Grid No.	Part No.	Grid No.	Part No.	Grid No.	Part No.	Grid No.	Part No.	Grid No.
92015-1409	4	92027-1897	7	92051-005	13	92075-045	21	92093-1079	19				
92015-1451	40	92029-1123	2	92055-004	28	92075-099	34	92122-1034	9				
92015-1452	40	92033-1059	9	92055-004	29	92075-1028	25	92122-1122	19				
92018-004	31	92033-1060	10	92055-1078	15	92075-103	25	92143-1407	25				
92019-008	38	92033-1072	2	92055-1097	10	92075-103	34	92143-1407	34				
92019-014	31	92033-1087	32	92055-1136	14	92075-1090	14	92143-1537	33				
92020-014	23	92037-1069	1	92055-1141	14	92075-121	25	92143-1885	25				
92022-024	25	92037-1272	15	92055-1177	1	92075-1288	34	92144-1107	12				
92022-024	38	92037-1568	3	92055-1178	1	92075-1288	35	92144-1778	6				
92022-077	6	92037-1569	34	92055-1231	1	92075-1370	25	92150-1450	12				
92022-1187	15	92037-1570	38	92055-1257	1	92075-1392	19	92150-1556	13				
92022-1224	8	92037-1580	42	92055-1259	14	92075-1620	41	92150-1872	30				
92022-125	25	92037-1610	15	92055-1305	15	92075-1650	39	92150-1873	30				
92022-125	41	92037-1642	1	92055-1508	14	92075-1674	31	92160-1107	42				
92022-1253	32	92037-1645	17	92057-1060	6	92075-1675	24	92160-1318	41				
92022-1312	9	92037-192	13	92057-1175	29	92075-1684	21	92160-1377	21				
92022-1565	34	92042-007	6	92059-1167	13	92075-1696	39	92160-1547	31				
92022-1565	43	92043-039	30	92059-1521	15	92075-1697	39	92160-A032	31				
92022-165	39	92043-1109	8	92059-1522	15	92075-1704	34	92170-1277	42				
92022-1656	35	92043-1126	15	92059-1592	15	92075-1705	39	92200-1052	22				
92022-1669	7	92043-1248	39	92059-1593	15	92075-1706	38						
92022-1670	22	92043-1249	34	92063-1313	15	92075-1727	21						
92022-1698	15	92043-1263	13	92063-1314	15	92075-209	41						
92022-1699	15	92043-1263	16	92063-1315	15	92075-281	34						
92022-1705	29	92043-1264	1	92063-1316	15	92075-281	35						
92022-183	33	92043-1264	2	92063-1317	15	92075-A050	39						
92022-193	34	92043-132	19	92064-1122	15	92081-030	8						
92022-228	25	92043-1464	2	92066-1171	15	92081-076	12						
92022-263	35	92043-A007	35	92066-1174	13	92081-1109	12						
92022-263	39	92045-1107	7	92069-018	40	92081-1153	15						
92022-315	8	92045-1107	13	92069-085	40	92081-122	8						
92026-1082	9	92045-1152	9	92069-085	41	92081-1276	8						
92026-1091	10	92046-1034	13	92069-1059	36	92081-1326	9						
92026-1096	9	92046-1139	19	92069-1063	36	92081-1332	30						
92027-1003	29	92047-013	32	92069-1081	40	92081-1398	15						
92027-1016	23	92047-014	20	92069-1089	41	92081-159	19						
92027-1181	38	92048-009	20	92070-1114	18	92081-1766	28						
92027-1260	38	92049-1048	13	92071-1049	43	92081-1766	29						
92027-1289	10	92049-1062	5	92072-032	42	92081-1867	15						
92027-1353	29	92049-1071	32	92072-1087	42	92081-1890	9						
92027-1442	9	92049-1196	14	92072-1304	21	92081-1896	40						
92027-1461	19	92050-002	28	92073-019	42	92081-A001	39						
92027-162	41	92050-009	29	92074-004	39	92090-006	20						
92027-169	39	92050-063	28	92075-009	35	92092-006	22						
92027-1733	6	92051-003	14	92075-015	4	92092-1017	9						