



**CATÁLOGO DE PARTES**

---

## PREFACIO

---

Es nuestro placer presentarles a ustedes el Catálogo de Partes.

Este Catálogo ha sido especialmente diseñado para ayudarle en la selección de las partes correctas con el fin de mantener el vehículo en las mejores condiciones.

Los repuestos originales están sujetos a un exigente estándar de control de calidad, por lo tanto es necesario que usted sólo use repuestos originales.

En nuestro constante esfuerzo para mejorar la eficiencia y desempeño de su vehículo, las especificaciones, diagramas y número de partes pueden cambiar sin previo aviso. Consecuentemente las descripciones de los repuestos en este Catálogo pueden no ser las finales y definitivas.

Las alteraciones y modificaciones que ocurren en la impresión de este Catálogo, serán informadas a nuestra red, a través de circulares de Servicio. Es requisito que usted actualice su Catálogo y haga las correcciones necesarias, una vez reciba dichas circulares. Lo anterior le asegurará un rápido y adecuado despacho de sus partes, pues las órdenes están siendo diligenciadas con las referencias más actualizadas.

En caso de necesitar asistencia técnica, comunicarse con el Distribuidor Autorizado o llamar al Departamento de Servicios Auteco-Kawasaki.



Red



Blue



Green

---



---

Model I.D. AH10-A5 (MAGIC)

Color Red

Blue

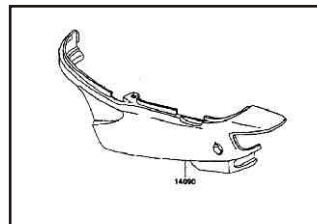
Green

---

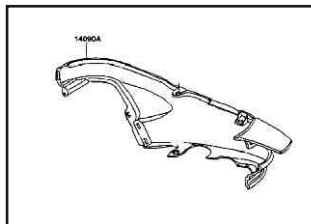
#### Painted Parts List

| Description           | Group No. | Part No.      |
|-----------------------|-----------|---------------|
| COVER,FRONT           | 34        | 14090-171??   |
| COVER,SEAL,LH         | 30        | 14090-1982-?? |
| COVER,SEAL,RH         | 30        | 14090-1983-?? |
| FENDER-FRONT,RH       | 20        | 35004-1354-?? |
| COVER-SIDE,LH         | 33        | 36001-1555-?? |
| COVER-SIDE,RH         | 33        | 36001-A012-?? |
| COWLING,LEG SHIELD,LH | 34        | 55028-1307-?? |
| COWLING,LEG SHIELD,RH | 34        | 55028-1308-?? |
| COVER-HANDLE,FR       | 26        | 59441-1132-?? |

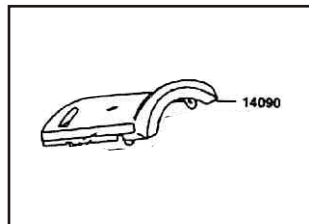
## REFERENCIAS POR COLOR



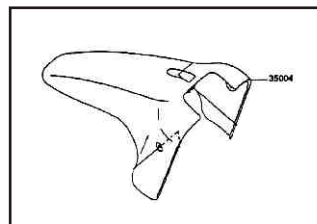
CUBIERTA SILLIN LH



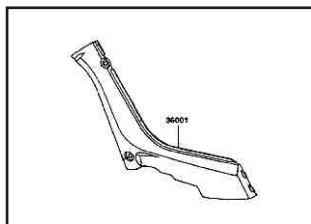
CUBIERTA SILLIN RH



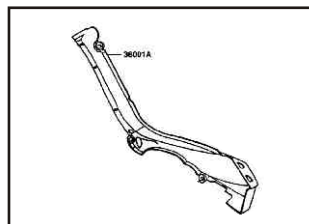
CUBIERTA FRONTAL



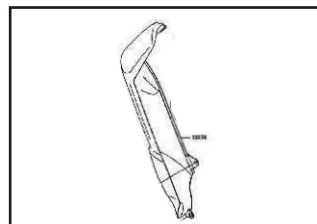
GUARDAFANGO DEL.



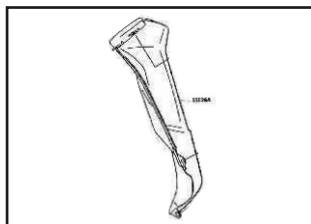
CUBIERTA LATERAL L.H.



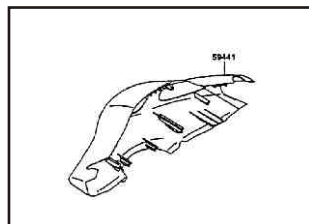
CUBIERTA LATERAL R.H.



CARENAJE L.H.



CARENAJE R.H.



CUBIERTA MANUBRIO DELANTERA

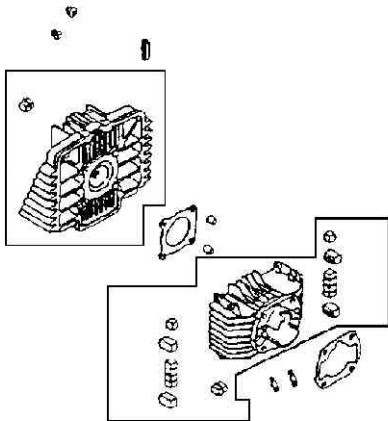
Ref.  
No.

Description

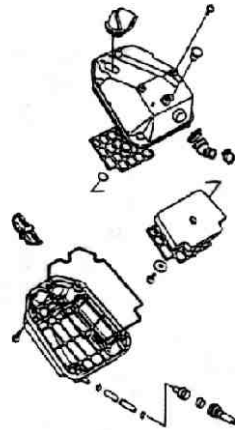
|                      |   |
|----------------------|---|
| <b>14090-1982-NP</b> | <b>CUBIERTA SILLIN LH SIN PINTAR</b>    |
| 14090-A700           | CUBIERTA SILLIN L.H. AZUL               |
| 14090-A702           | CUBIERTA SILLIN L.H. VERDE              |
| 14090-A704           | CUBIERTA SILLIN LH ROJO                 |
| <b>14090-1983-NP</b> | <b>CUBIERTA SILLIN RH SIN PINTAR</b>    |
| 14090-A701           | CUBIERTA SILLIN RH AZUL                 |
| 14090-A703           | CUBIERTA SILLIN RH VERDE                |
| 14090-A705           | CUBIERTA SILLIN RH ROJO                 |
| <b>14090-1711-NP</b> | <b>CUBIERTA FRONTAL SIN PINTAR</b>      |
| 14090-A706           | CUBIERTA FRONTAL AZUL                   |
| 14090-A707           | CUBIERTA FRONTAL VERDE                  |
| 14090-A708           | CUBIERTA FRONTAL ROJA                   |
| <b>35004-1354-NP</b> | <b>GUARDAFANGO DEL. SIN PINTAR</b>      |
| 35004-A702           | GUARDAFANGO DEL. AZUL                   |
| 35004-A703           | GUARDAFANGO DEL. VERDE                  |
| 35004-A704           | GUARDAFANGO DEL. ROJO                   |
| <b>36001-1555-NP</b> | <b>CUBIERTA LATERAL LH SIN PINTAR</b>   |
| 36001-A708           | CUBIERTA LATERAL LH. AZUL               |
| 36001-A710           | CUBIERTA LATERAL L.H. VERDE             |
| 36001-A712           | CUBIERTA LATERAL L.H. ROJA              |
| <b>36001-A012-NP</b> | <b>CUBIERTA LATERAL R.H. SIN PINTAR</b> |
| 36001-A709           | CUBIERTA LATERAL R.H. AZUL              |
| 36001-A711           | CUBIERTA LATERAL R.H. VERDE             |
| 36001-A713           | CUBIERTA LATERAL R.H. ROJO              |
| <b>55028-1307-NP</b> | <b>CARENAJE L.H. SIN PINTAR</b>         |
| 55028-A700           | CARENAJE L.H. AZUL                      |
| 55028-A702           | CARENAJE L.H. VERDE                     |
| 55028-A704           | CARENAJE L.H. ROJO                      |
| <b>55028-1308-NP</b> | <b>CARENAJE R.H. SIN PINTAR</b>         |
| 55028-A701           | CARENAJE R.H. AZUL                      |
| 55028-A703           | CARENAJE R.H. VERDE                     |
| 55028-A705           | CARENAJE R.H. ROJO                      |
| 59441-A700           | CUBIERTA MANUBRIO DEL. AZUL             |
| 59441-A701           | CUBIERTA MANUBRIO DEL. VERDE            |
| 59441-A702           | CUBIERTA MANUBRIO DEL. ROJA             |

**NOTA:** Si la Matricula del vehículo figura con color "VERDE", la parte se debe solicitar a AUTEKO con la referencia del color "AZUL" de éste catálogo de partes

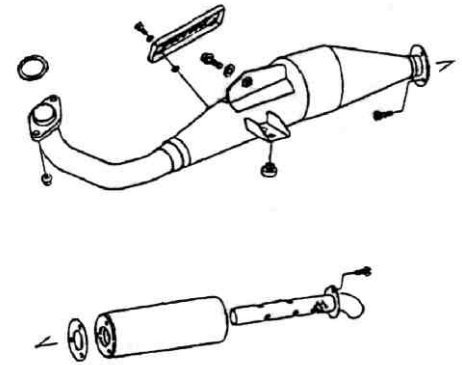
|                                      |    |                               |    |
|--------------------------------------|----|-------------------------------|----|
| Air Cleaner .....                    | 2  | Handlebar .....               | 27 |
| Brake Pedal .....                    | 26 | Headlight(s) .....            | 36 |
| Cables .....                         | 33 | Ignition Switch .....         | 40 |
| Carburetor (1/2) .....               | 12 | Ignition System .....         | 16 |
| Carburetor (2/2) .....               | 13 | Kickstarter Mechanism .....   | 5  |
| Carrier(s) .....                     | 43 | Label(s) .....                | 42 |
| Chassis Electrical Equipment .....   | 39 | Leg Shield .....              | 35 |
| Clutch .....                         | 6  | Meter(s) .....                | 32 |
| Crankcase .....                      | 10 | Muffler(s) .....              | 3  |
| Crankshaft/Piston(s) .....           | 4  | Oil Pump .....                | 14 |
| CylinderHead/Cylinder .....          | 1  | Oil Tank .....                | 30 |
| Engine Cover(s) .....                | 11 | Owner's Tools .....           | 41 |
| Fenders .....                        | 21 | Rear Hub .....                | 25 |
| Footrests .....                      | 20 | Seat .....                    | 31 |
| Frame .....                          | 17 | Side Covers/Chain Cover ..... | 34 |
| Frame Fittings .....                 | 18 | Stand(s) .....                | 22 |
| Front Fork .....                     | 28 | Swingarm/Shock Absorber ..... | 19 |
| Front Hub .....                      | 24 | Taillight(s) .....            | 37 |
| Fuel Tank .....                      | 29 | Tires .....                   | 23 |
| Gear Change Drum/Shift Fork(s) ..... | 8  | Transmission .....            | 7  |
| Gear Change Mechanism .....          | 9  | Turn Signals .....            | 38 |
| Generator .....                      | 15 |                               |    |



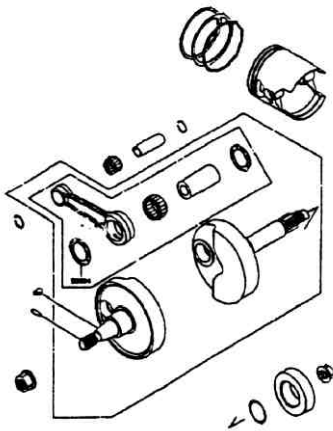
1 Cylinder Head Cylinder



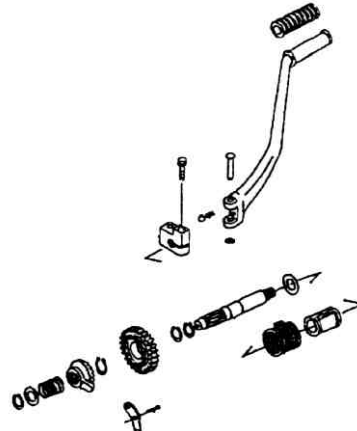
2 Air Cleaner



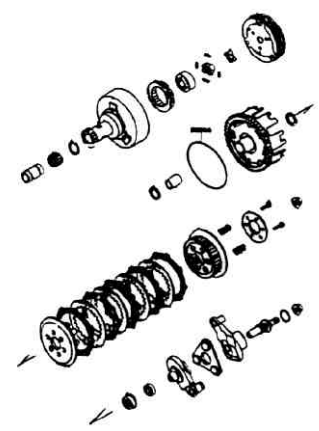
3 Muffler(s)



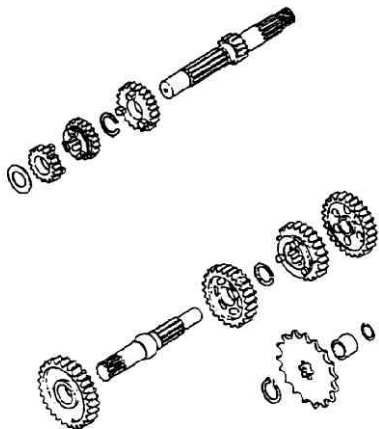
4 Crankshaft/Piston(s)



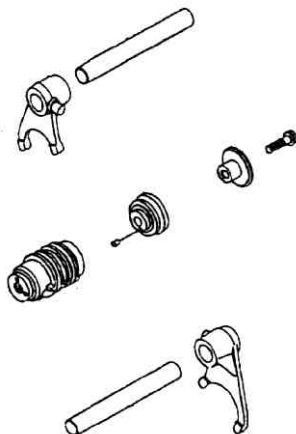
5 Kickstarter Mechanism



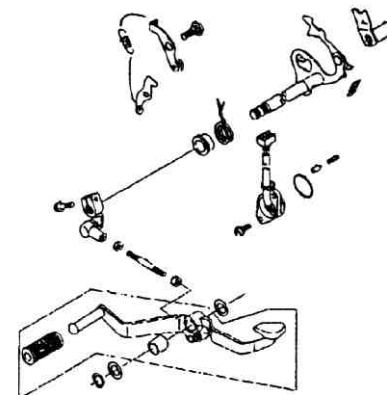
6 Clutch



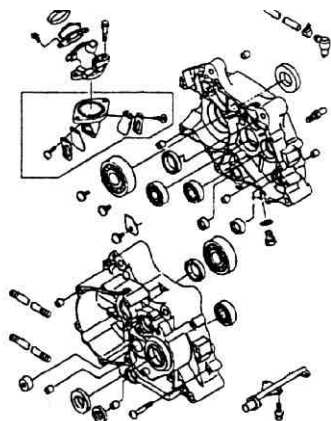
7 Transmission



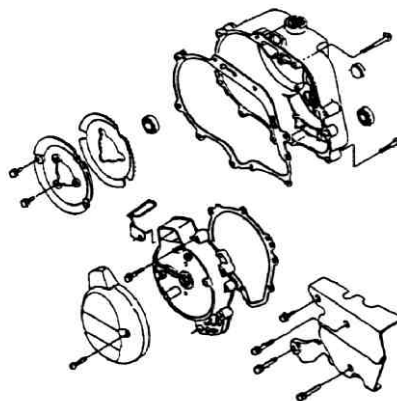
8 Gear Change Drum/Shift Forf(s)



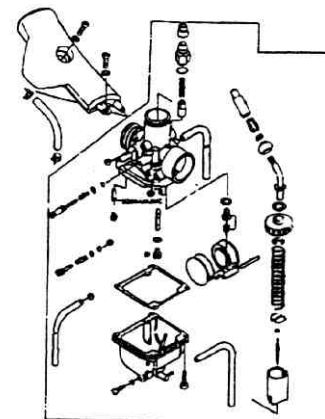
9 Gear Change Mechanism



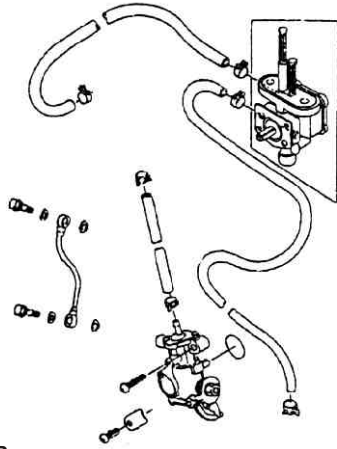
10 Crankcase



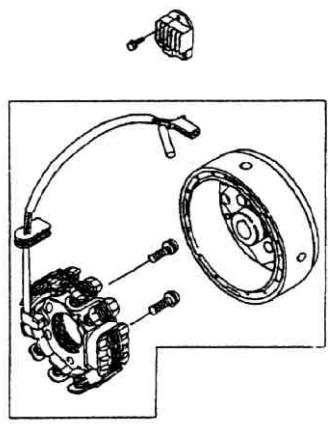
11 Engine Cover(s)



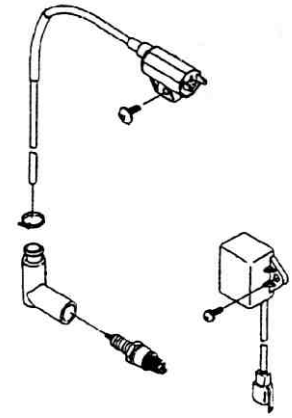
12 Carburetor



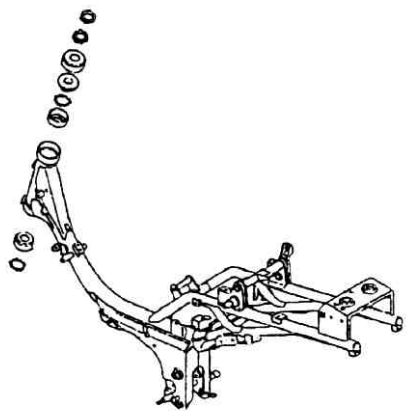
13 Oil Pump



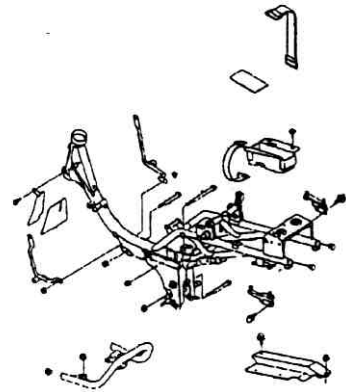
14 Generator



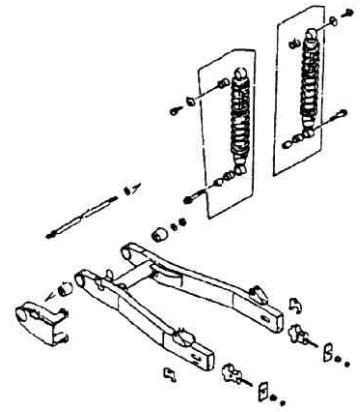
15 Ignition System



16 Frame

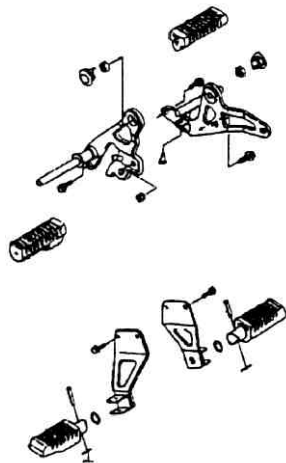


17 Frame Fittings

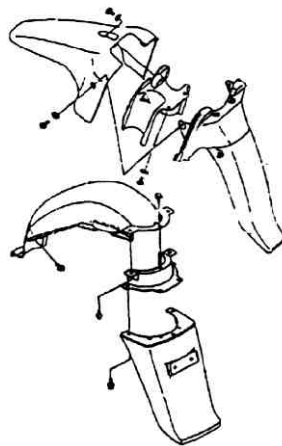


18 Swingarm/Shock Absorber

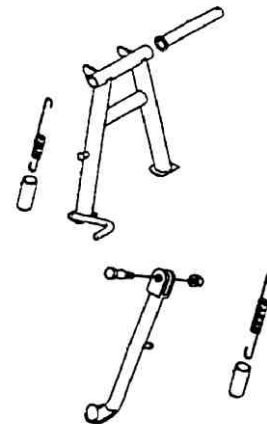




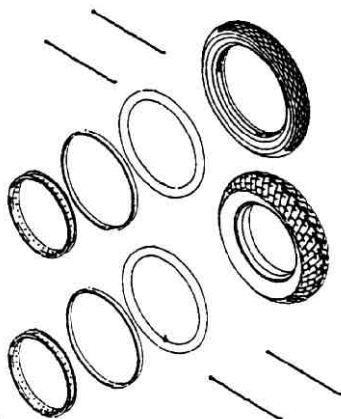
19 Footrests



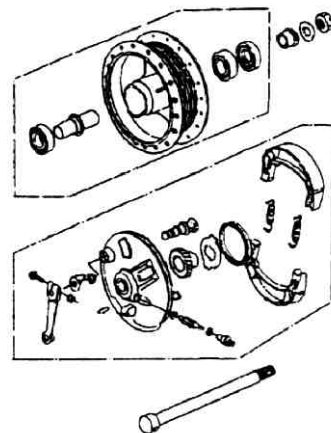
20 Fenders



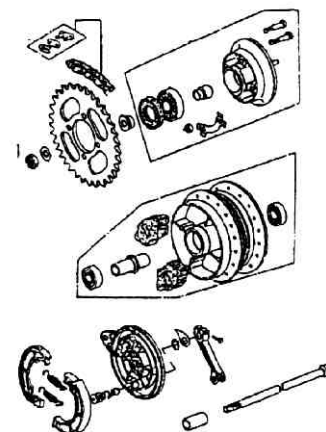
21 Stand(s)



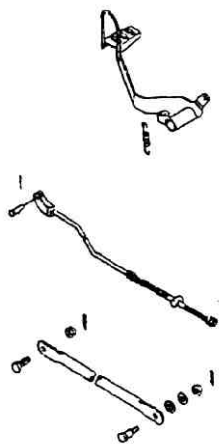
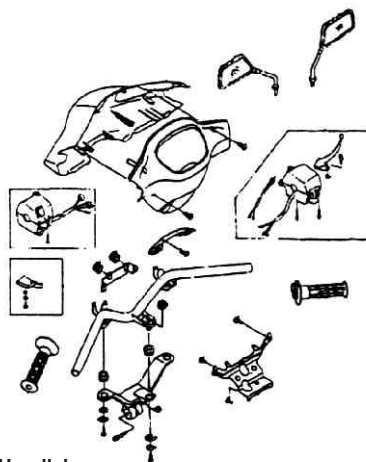
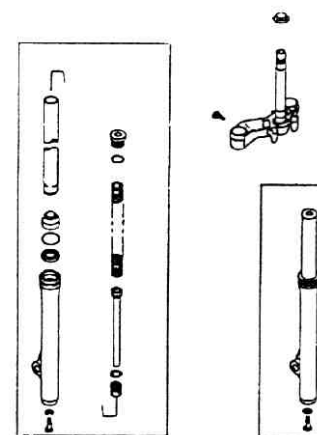
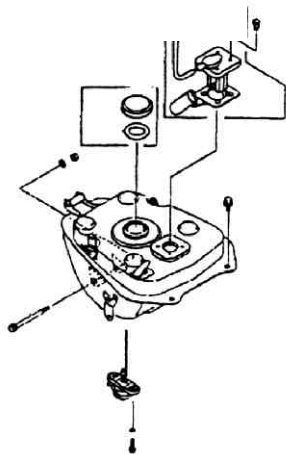
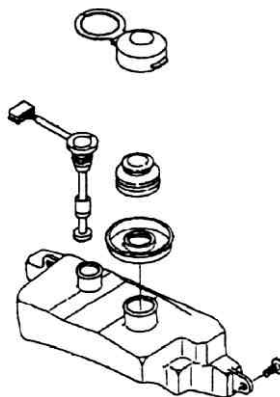
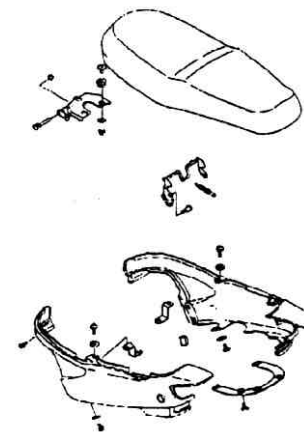
22 Tires

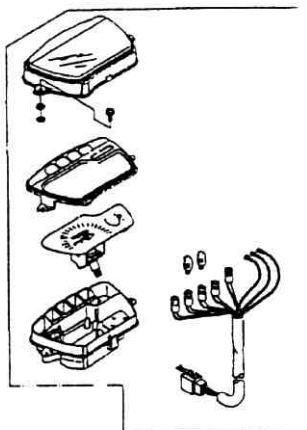


23 Front Hub



24 Rear Hub

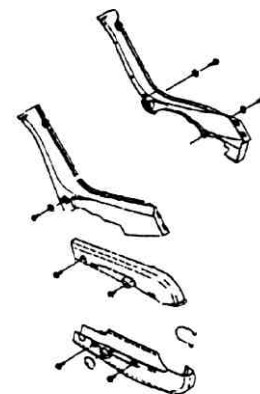
**25** Brake Pedal**26** Handlebar**27** Front Fork**28** Fuel Tank**29** Oil Tank**30** Seat



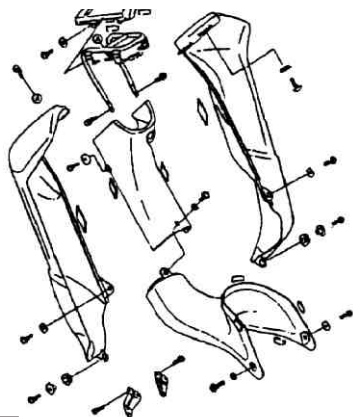
31 Meter(s)



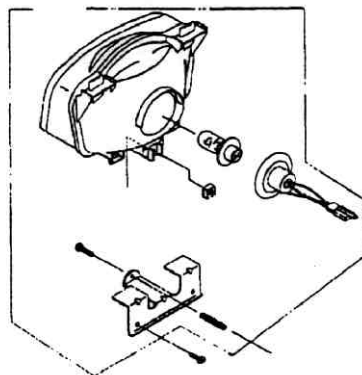
32 Cables



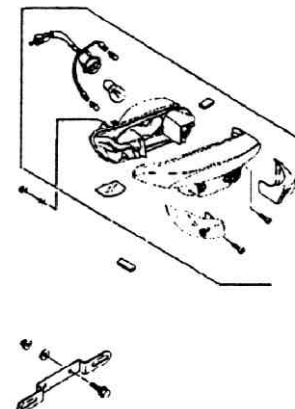
33 Side Covers/Chain Cover



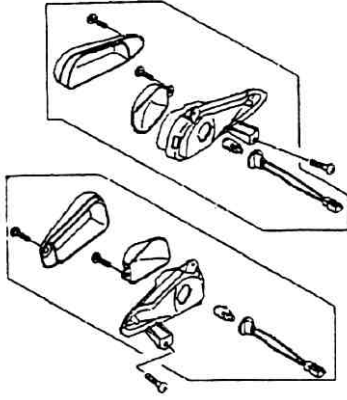
34 Leg Shield



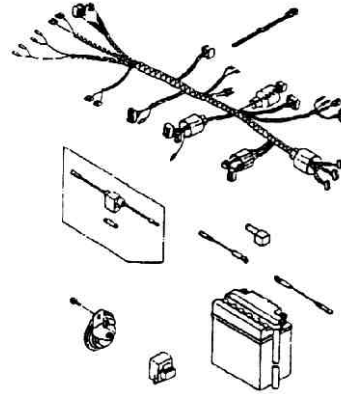
35 Headlight(s)



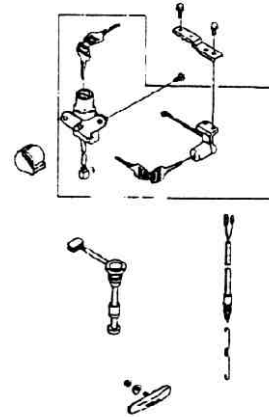
36 Taillight(s)



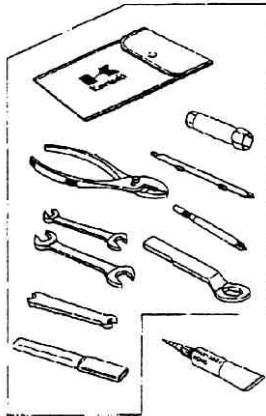
37 Turn Signals



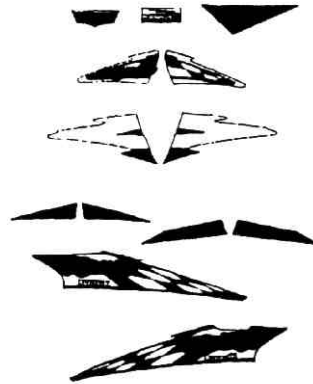
38 Chassis Electrical Equipment



39 Ignition Switch



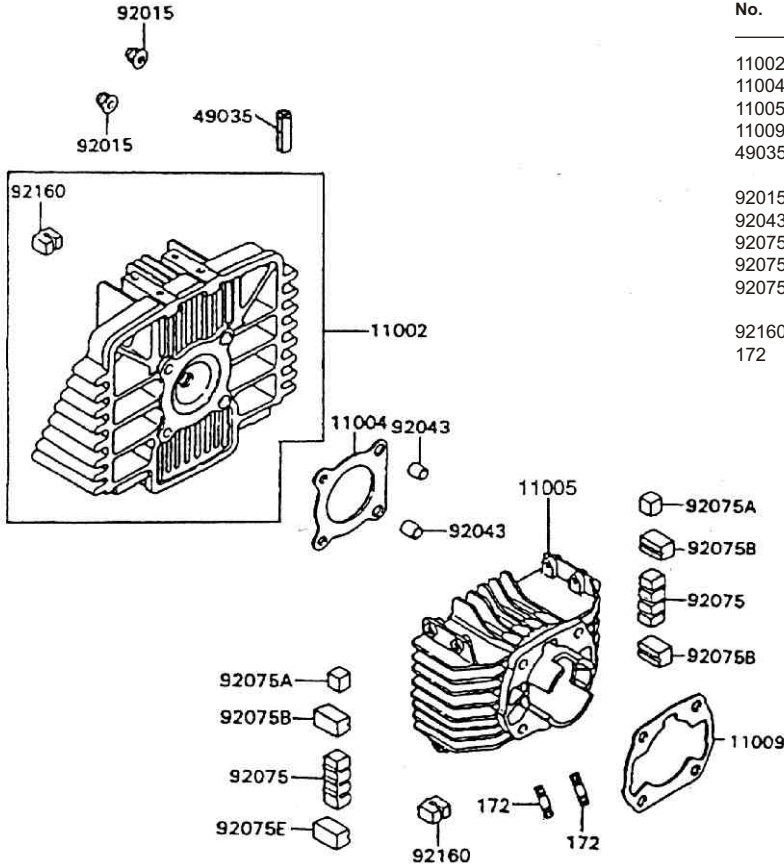
40 Owner's Tools



41 Label(s)

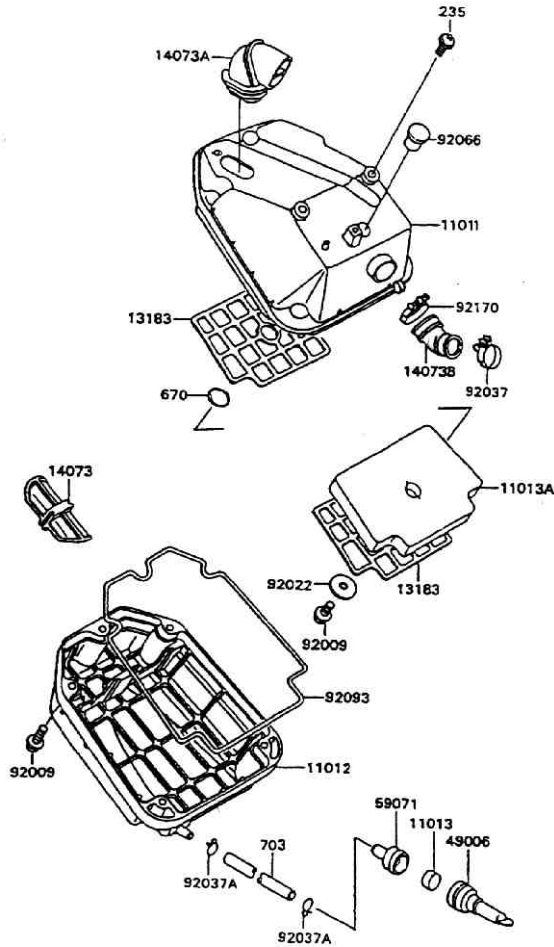


42 Carrier(s)

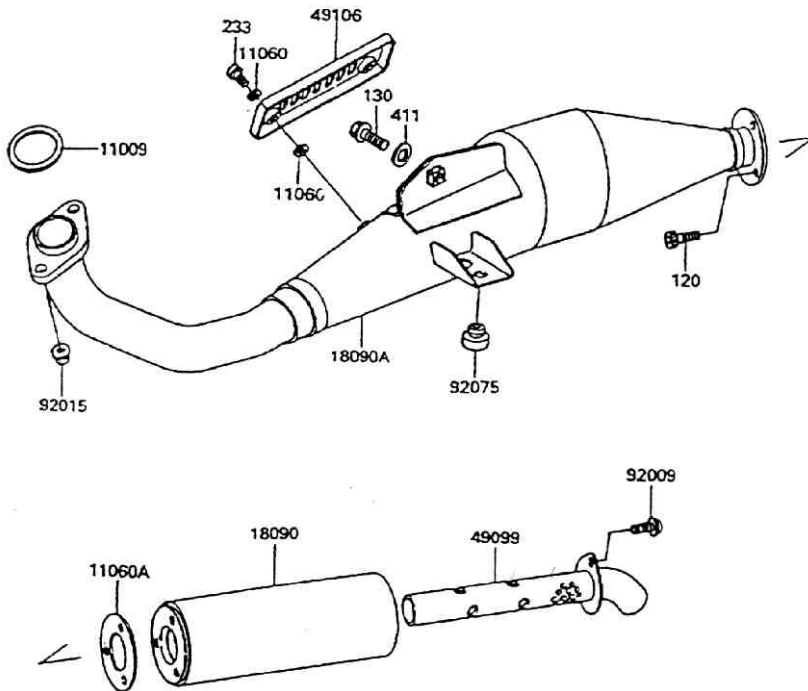


| Ref. No. | Part No.   | Description          | Quantity-A#0 |  |  |  |
|----------|------------|----------------------|--------------|--|--|--|
|          |            |                      | '99          |  |  |  |
| 11002    | 11002-1289 | HEAD-CYLINDER        | 1            |  |  |  |
| 11004    | 11004-178  | GASKEHEAD            | 1            |  |  |  |
| 11005    | 11005-1780 | CYLINDER-ENGINE      | 1            |  |  |  |
| 11009    | 11009-1774 | GASKETCYLINDER BASE  | 1            |  |  |  |
| 49035    | 49035-1059 | PIN-SPRING           | 4            |  |  |  |
| 92015    | 92015-151  | NUTCAP8MM            | 4            |  |  |  |
| 92043    | 92043-1264 | PIN, 8.2X10X14       | 2            |  |  |  |
| 92075    | 92075-1268 | DAMPER, CYLINDER     | 2            |  |  |  |
| 92075A   | 92075-1368 | DAMPER CYLINDER HEAD | 2            |  |  |  |
| 92075B   | 92075-1673 | DAMPER               | 4            |  |  |  |
| 92160    | 92160-1031 | DAMPER               | 4            |  |  |  |
| 172      | 172G0822   | BOII-STUD, 8X22      | 2            |  |  |  |

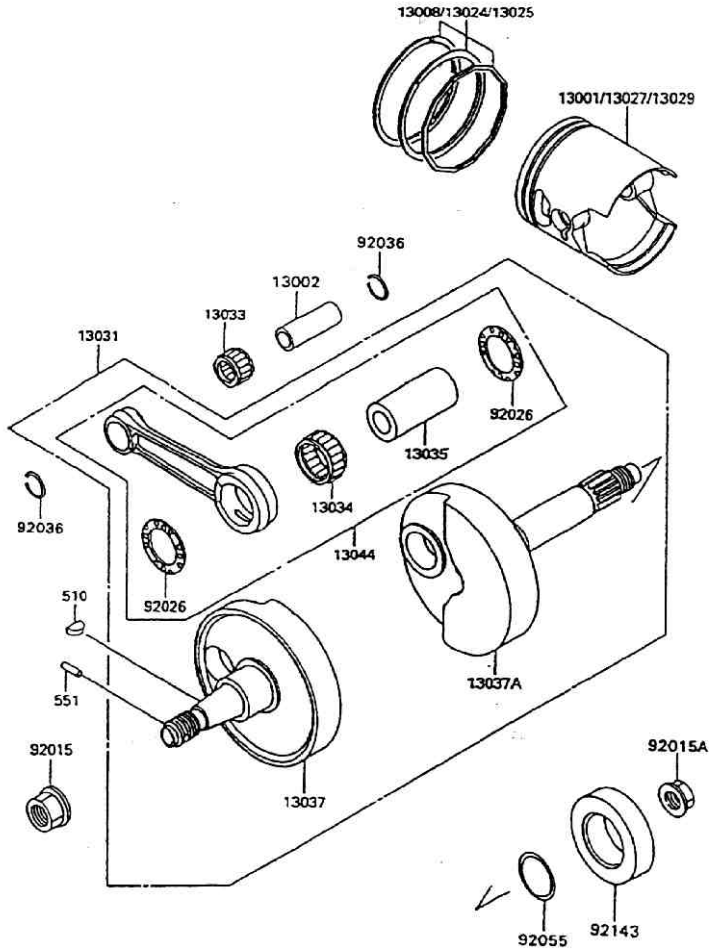
## MAGIC 110



| Ref. No. | Part No.   | Description             | Quantity-A#0 |  |  |  |
|----------|------------|-------------------------|--------------|--|--|--|
|          |            |                         | '99          |  |  |  |
|          |            |                         | A5           |  |  |  |
| 11011    | 11011-1404 | CASE-AIR FILTER         | 1            |  |  |  |
| 11012    | 11012-1841 | CAP-AIR FILTER          | 1            |  |  |  |
| 11013    | 11013-159  | ELEMENT-AIR FILTER      | 1            |  |  |  |
| 11013A   | 11013-1213 | ELEMENT-AIR FILTER      | 1            |  |  |  |
| 13183    | 13183-1979 | PLATE, ELEMENT          | 2            |  |  |  |
| 14073    | 14073-1493 | DUCT-INSIDE             | 1            |  |  |  |
| 14073A   | 14073-1495 | DUCT-AIR INTAKE         | 1            |  |  |  |
| 14073B   | 14073-1620 | DUCT-AIR FILTER         | 1            |  |  |  |
| 49006    | 49006-1223 | BOOT-DRAIN              | 1            |  |  |  |
| 59071    | 59071-1127 | JOINT-DRAIN             | 1            |  |  |  |
| 92009    | 92009-1664 | SCREW-6X22              | 6            |  |  |  |
| 92022    | 92022-1659 | WASHER, 6.2X38X1.2      | 1            |  |  |  |
| 92037    | 92037-1568 | CLAMP-39MM              | 1            |  |  |  |
| 92037A   | 92170-2043 | CLAMP                   | 2            |  |  |  |
| 92066    | 92066-1376 | PLUG, DRAIN             | 1            |  |  |  |
| 92093    | 92093-1324 | SEAL, AIR FILTER        | 1            |  |  |  |
| 92170    | 92170-1477 | CLAMP                   | 1            |  |  |  |
| 235      | 235C0614   | SCREW-PAN-WP-CROS, 6X14 | 2            |  |  |  |
| 670      | 670B2016   | O RING, 16MM            | 1            |  |  |  |
| 703      | 703A07310  | TUBE, DRAIN             | 1            |  |  |  |



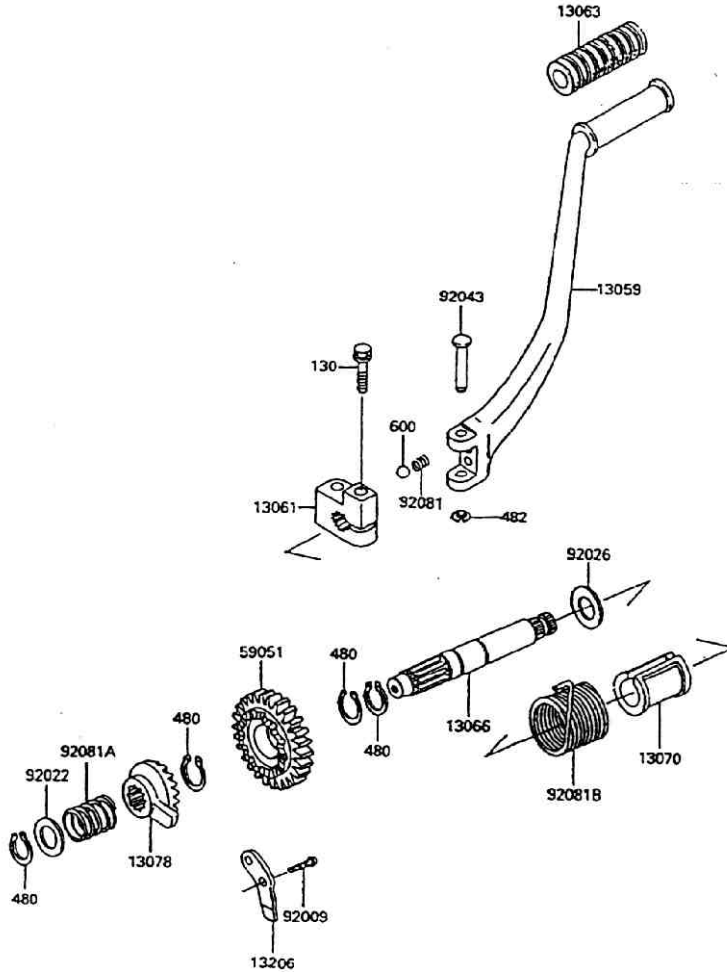
| Ref. No. | Part No.   | Description             | Quantity-A10 |  |  |  |
|----------|------------|-------------------------|--------------|--|--|--|
|          |            |                         | '99          |  |  |  |
| 11009    | 11009-1992 | GASKET-EXHAUSTPIPE      | 1            |  |  |  |
| 11060    | 11060-109  | GASKET-6.2X1.5X1.5      | 4            |  |  |  |
| 11060A   | 11060-137  | GASKET                  | 1            |  |  |  |
| 18090    | 18090-151  | BODY-COMP-MUFFLER       | 1            |  |  |  |
| 18090A   | 18090-1443 | BODY-COMP-MUFFLER       | 1            |  |  |  |
| 49099    | 49099-1407 | BAFFLE-PIPE MUFFLER     | 1            |  |  |  |
| 49106    | 49106-168  | GUARD                   | 1            |  |  |  |
| 92009    | 92009-1403 | SCREW                   | 1            |  |  |  |
| 92015    | 92015-183  | NUT-FLANGED, 8MM, BLACK | 2            |  |  |  |
| 92075    | 92075-1002 | DAMPER                  | 1            |  |  |  |
| 120      | 120S0616   | BOI-SOCKETX16, BLACK    | 3            |  |  |  |
| 130      | 130G0825   | BOI-FLANGED, 8X25       | 1            |  |  |  |
| 233      | 233C0610   | SCREW-PAN-W/6X10        | 2            |  |  |  |
| 411      | 411B0800   | WASHER-PLAIN, 8MM       | 1            |  |  |  |



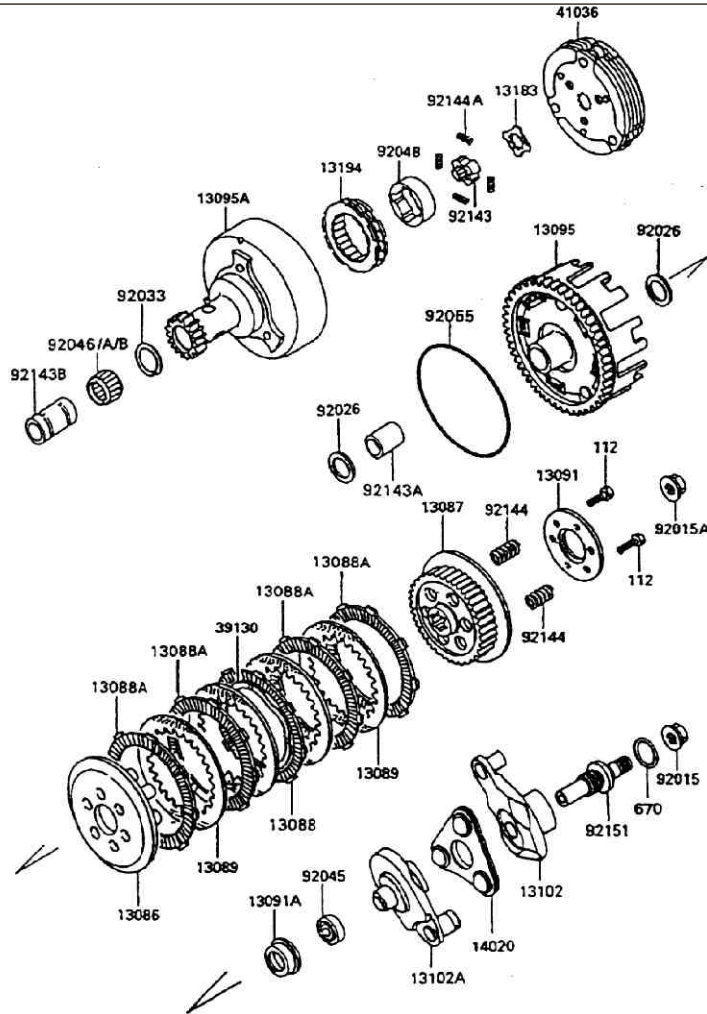
| Ref. No. | Part No.   | Description                | Quantity-A#0 |  |  |  |
|----------|------------|----------------------------|--------------|--|--|--|
|          |            |                            | '99          |  |  |  |
| 13001    | 13001-1422 | PISTON-ENGINE, STD         | 1            |  |  |  |
| 13002    | 13002-1077 | PIN-PISTON                 | 1            |  |  |  |
| 13008    | 13008-140  | RING-SEPISTON, STD         | 1            |  |  |  |
| 13024    | 13024-1089 | RING-SEPISTON LL, O/S 1.00 | 1            |  |  |  |
| 13025    | 13025-112  | RING-SEPISTON L, O/S 0.50  | 1            |  |  |  |
| 13027    | 13027-1176 | PISTON-ENGINE LL, O/S 1.00 | 1            |  |  |  |
| 13029    | 13029-1222 | PISTON-ENGINE L, O/S 0.50  | 1            |  |  |  |
| 13031    | 13031-1376 | CRANKSHAFTOMP              | 1            |  |  |  |
| 13033    | 13033-1009 | BEARING-SMAEND             | 1            |  |  |  |
| 13034    | 13034-1082 | BEARING-BIG END, 22VS2814E | 1            |  |  |  |
| 13035    | 13035-1068 | PIN-CRANK                  | 1            |  |  |  |
| 13037    | 13037-1466 | CRANKSHAFTH                | 1            |  |  |  |
| 13037A   | 13037-1472 | CRANKSHAFTH                | 1            |  |  |  |
| 13044    | 13044-5078 | SETCONNECTING ROD          | 1            |  |  |  |
| 92015    | 92015-1712 | NUT FLANGED, 14MM          | 1            |  |  |  |
| 92015A   | 92015-1908 | NUT 14MM                   | 1            |  |  |  |
| 92026    | 92026-1063 | SPACER, 22X34.5X1.0        | 2            |  |  |  |
| 92036    | 92036-007  | RING-SNAPISTON PIN         | 2            |  |  |  |
| 92055    | 92055-022  | RING-O, 17.5X1.5           | 1            |  |  |  |
| 92143    | 92143-1665 | COLLAR                     | 1            |  |  |  |
| 510      | 510A3200   | KEYWOODRUFF                | 1            |  |  |  |
| 551      | 551A0312   | PIN-DOWEL, 3X12            | 1            |  |  |  |



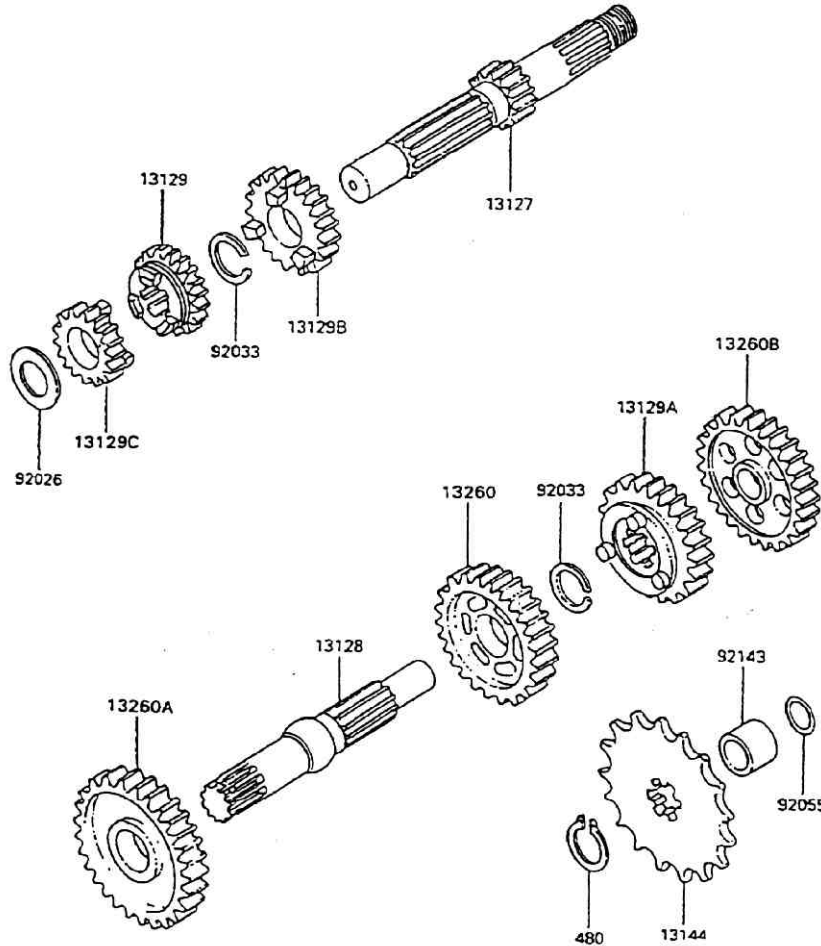
Kickstarter Mechanism



| Ref. No. | Part No.   | Description          | Quantity-A110 |  |  |  |
|----------|------------|----------------------|---------------|--|--|--|
|          |            |                      | '99           |  |  |  |
| 13059    | 13059-153  | LEVER-KICK           | 1             |  |  |  |
| 13061    | 13061-1435 | BOSS, KICK PEDAL     | 1             |  |  |  |
| 13063    | 13063-002  | DAMPER, PEDAL        | 1             |  |  |  |
| 13066    | 13066-1070 | SHAFT-KICK           | 1             |  |  |  |
| 13070    | 13070-1035 | GUIDE, KICK SHAFT    | 1             |  |  |  |
| 13078    | 13078-1057 | RATCHET              | 1             |  |  |  |
| 13206    | 13206-1058 | GUIDE-KICK           | 1             |  |  |  |
| 59051    | 59051-1267 | GUIDE-SPUR, KICK     | 1             |  |  |  |
| 92009    | 92009-104  | SCREWTAPPING         | 2             |  |  |  |
| 92022    | 92022-315  | WASHER, 16.8X22X0.5  | 1             |  |  |  |
| 92026    | 92026-141  | SPACER, 16X30X1.0    | 1             |  |  |  |
| 92043    | 92043-1050 | PIN, 6X36            | 1             |  |  |  |
| 92081    | 92081-020  | SPRING, KICK PEDAL   | 2             |  |  |  |
| 92081A   | 92081-122  | SPRING, RATCHET      | 1             |  |  |  |
| 92081B   | 92081-1276 | SPRING, KICK STARTER | 1             |  |  |  |
| 130      | 130S0630   | BOIT-FLANGED, 6X30   | 1             |  |  |  |
| 480      | 480J1600   | CIRCLIP-TYPE-C, 16MM | 4             |  |  |  |
| 482      | 482L5000   | CIRCLIP-TYPE-E, 5MM  | 1             |  |  |  |
| 600      | 600A0800   | BALL-STEEL, 1/4"     | 2             |  |  |  |



| Ref. No. | Part No.   | Description           | Quantity-A#0 |  |  |  |
|----------|------------|-----------------------|--------------|--|--|--|
|          |            |                       | '99          |  |  |  |
| 13086    | 13086-1065 | WHEEL-CLUTCH          | 1            |  |  |  |
| 13087    | 13087-1151 | HUB-CLUTCH            | 1            |  |  |  |
| 13088    | 13088-1110 | PLATE-FRICTION        | 1            |  |  |  |
| 13088A   | 13088-1111 | PLATE-FRICTION        | 4            |  |  |  |
| 13089    | 13089-1087 | PLATE-CLUTCH          | 4            |  |  |  |
| 13091    | 13091-1782 | HOLDER-CLUTCH         | 1            |  |  |  |
| 13091A   | 13091-1787 | HOLDER                | 1            |  |  |  |
| 13095    | 13095-1283 | HOUSING-COMP-CLUTCH   | 1            |  |  |  |
| 13095A   | 13095-1309 | HOUSING-COMP-CLUTCH   | 1            |  |  |  |
| 13183    | 13183-1480 | PLATE                 | 1            |  |  |  |
| 13102    | 13102-132  | RELEASE-COMP-CLUTCH   | 1            |  |  |  |
| 13102A   | 13102-133  | RELEASE-COMP-CLUTCH   | 1            |  |  |  |
| 13194    | 13194-1092 | CLUTCH-ON&W           | 1            |  |  |  |
| 14020    | 14020-1100 | RETAINER              | 1            |  |  |  |
| 39130    | 39130-1070 | SPRING-LEA&LUTCH      | 1            |  |  |  |
| 41036    | 41036-1153 | HUB-ASS&LUTCH         | 1            |  |  |  |
| 92015    | 92015-1183 | NUT 8MM               | 1            |  |  |  |
| 92015A   | 92015-1347 | NUT FLANGED, 14MM     | 1            |  |  |  |
| 92026    | 92026-1415 | SPACER, 17.3X30X2.0   | 1            |  |  |  |
| 92033    | 92033-1240 | RING-SNAP             | 1            |  |  |  |
| 92045    | 92045-123  | BEARING-BALL, #628    | 1            |  |  |  |
| 92046    | 92046-1223 | BEARING-NEEDLE, BLUE  | 2            |  |  |  |
| 92046A   | 92046-1224 | BEARING-NEEDLE, RED   | 2            |  |  |  |
| 92046B   | 92046-1225 | BEARING-NEEDLE, WHITE | 2            |  |  |  |
| 92048    | 92048-1074 | RACE                  | 1            |  |  |  |
| 92055    | 92055-052  | RING-O, 91.6X3.4      | 1            |  |  |  |
| 92143    | 92143-1661 | COLLAR                | 1            |  |  |  |
| 92143A   | 92143-1663 | COLLAR                | 1            |  |  |  |
| 92143B   | 92143-1696 | COLLAR                | 1            |  |  |  |
| 92144    | 92144-1388 | SPRING, CLUTCH        | 6            |  |  |  |
| 92144A   | 92144-1556 | SPRING                | 4            |  |  |  |
| 92151    | 92151-1069 | BOIT                  | 1            |  |  |  |
| 112      | 112G0520   | BOIT-UPSET            | 6            |  |  |  |
| 670      | 670B1508   | RING-O                | 1            |  |  |  |



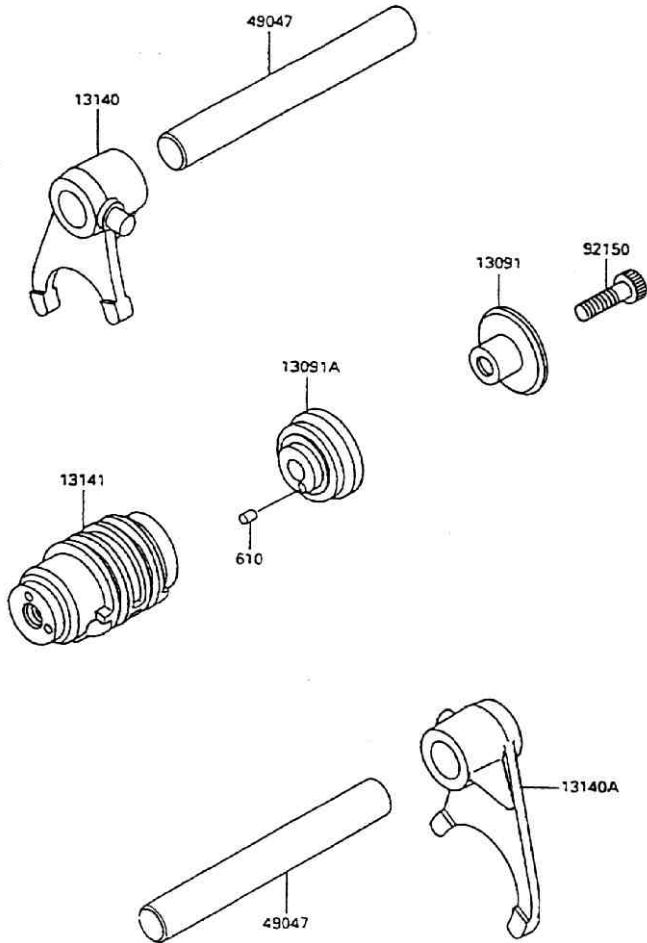
| Ref. No. | Part No.   | Description               | Quantity-A110 |  |  |  |
|----------|------------|---------------------------|---------------|--|--|--|
|          |            |                           | '99           |  |  |  |
| 13127    | 13127-1210 | SHAFT TRANSMISSION INPUT  | 1             |  |  |  |
| 13128    | 13128-123  | SHAFT TRANSMISSION OUTPUT | 1             |  |  |  |
| 13129    | 13129-1614 | GEAR, INPUT, 22T          | 1             |  |  |  |
| 13129A   | 13129-1619 | GEAR, INPUT, 31T          | 1             |  |  |  |
| 13129B   | 13129-1641 | GEAR, INPUT, 25T          | 1             |  |  |  |
| 13129C   | 13129-1929 | GEAR, INPUT, 18T          | 1             |  |  |  |
| 13144    | 13144-145  | SPROCKET OUTPUT, 15T      | 1             |  |  |  |
| 13260    | 13260-1002 | GEAR, OUTPUT, 34T         | 1             |  |  |  |
| 13260A   | 13260-1045 | GEAR, OUTPUT, 38T         | 1             |  |  |  |
| 13260B   | 13260-1322 | GEAR, OUTPUT, 44T         | 1             |  |  |  |
| 92026    | 92026-1091 | SPACER                    | 1             |  |  |  |
| 92033    | 92033-1060 | RING-O, 7MM               | 2             |  |  |  |
| 92055    | 92055-1235 | RING-O, 16.8MM            | 1             |  |  |  |
| 92143    | 92143-193  | COLLAR                    | 1             |  |  |  |
| 480      | 480J1700   | CIRCLIP-TYPE-C, 17MM      | 1             |  |  |  |

Group No.

8

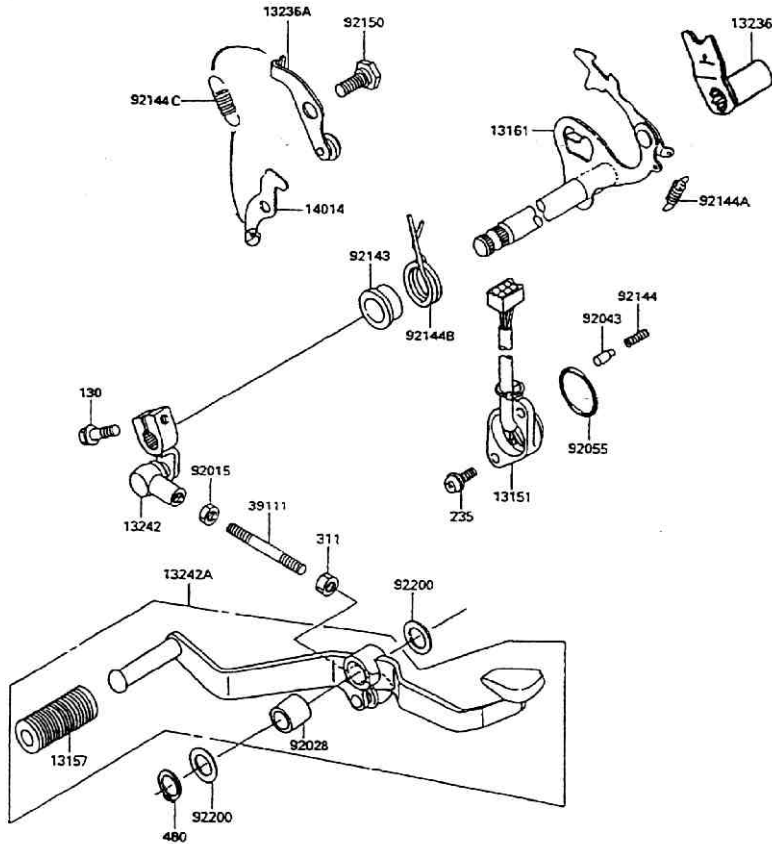
MAGIC 110

Gear Change Drum/Shift Fork(s)



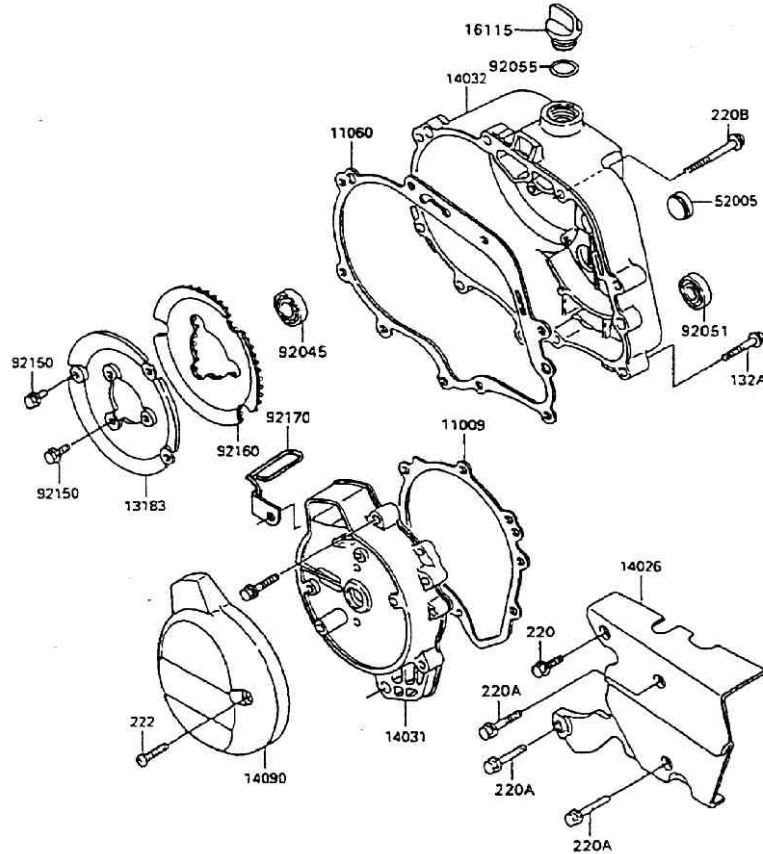
| Ref. No. | Part No.   | Description         | Quantity-A#0 |  |  |  |
|----------|------------|---------------------|--------------|--|--|--|
|          |            |                     | '99          |  |  |  |
| 13091    | 13091-1710 | HOLDER, CHANGED     | 1            |  |  |  |
| 13091A   | 13091-1757 | HOLDER, CHANGE DRUM | 1            |  |  |  |
| 13140    | 13140-118  | FORK-SHIFT          | 1            |  |  |  |
| 13140A   | 13140-119  | FORK-SHIFT          | 1            |  |  |  |
| 13141    | 13141-147  | DRUM-CHANGE         | 1            |  |  |  |
| 49047    | 49047-1096 | ROD-SHIF 5.9X10X72  | 2            |  |  |  |
| 92150    | 92150-1433 | BOII, SOCKET 6X30   | 1            |  |  |  |
| 610      | 610A0406   | ROLLER, 4X6         | 1            |  |  |  |

Gear Change Mechanism

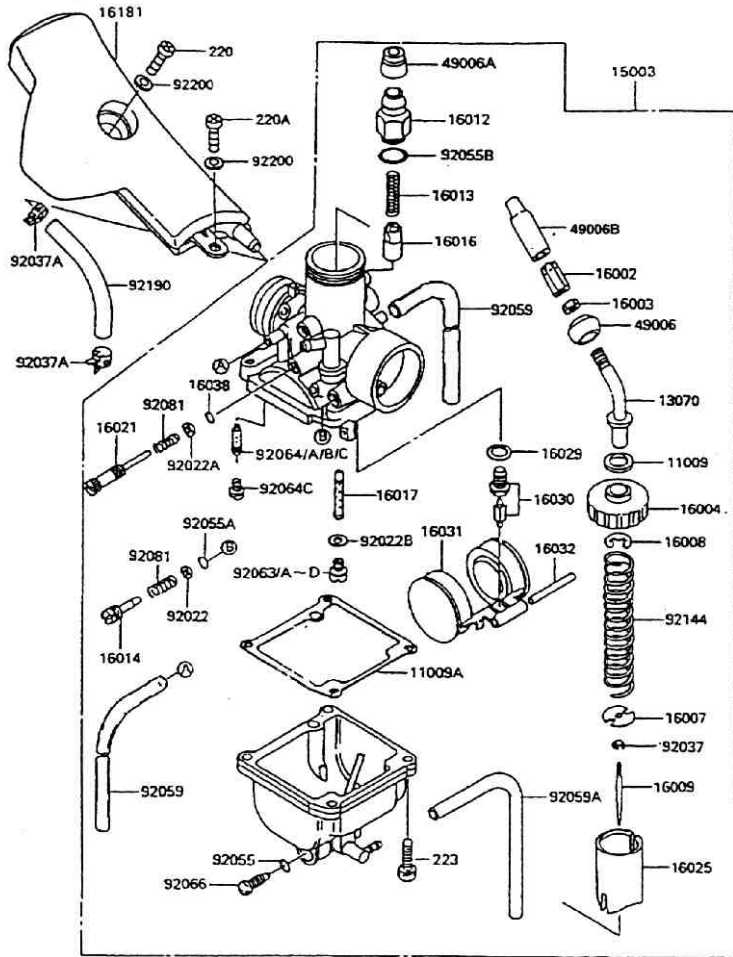


| Ref. No. | Part No.   | Description               | Quantity-AH0 |  |  |   |
|----------|------------|---------------------------|--------------|--|--|---|
|          |            |                           | '99          |  |  |   |
| 13151    | 13151-1070 | SWITCH-COMP-NEUTRAL       |              |  |  | 1 |
| 13157    | 13157-004  | DAMPER, CHANGE PEDAL      |              |  |  | 1 |
| 13161    | 13161-1225 | LEVER-COMP-CHANGE         |              |  |  | 1 |
| 13236    | 13236-1280 | LEVER-COMP                |              |  |  | 1 |
| 13236A   | 13236-1281 | LEVER-COMP                |              |  |  | 1 |
| 13242    | 13242-1297 | LEVER-ASSY-CHANGE, LINK   |              |  |  | 1 |
| 13242A   | 13242-A002 | LEVER-ASSY-CHANGE, PEDAL  |              |  |  | 1 |
| 14014    | 14014-1127 | PLATE-POSITION            |              |  |  | 1 |
| 39111    | 39111-1086 | ROD-TIE                   |              |  |  | 1 |
| 92015    | 92015-1178 | NUT                       |              |  |  | 1 |
| 92028    | 92028-1652 | BUSHING                   |              |  |  | 1 |
| 92043    | 92043-1385 | PIN                       |              |  |  | 1 |
| 92055    | 92055-091  | RING-O                    |              |  |  | 1 |
| 92143    | 92143-1298 | COLLAR                    |              |  |  | 1 |
| 92144    | 92144-1245 | SPRING                    |              |  |  | 1 |
| 92144A   | 92144-1339 | SPRING                    |              |  |  | 1 |
| 92144B   | 92144-1340 | SPRING                    |              |  |  | 1 |
| 92144C   | 92144-1967 | SPRING                    |              |  |  | 1 |
| 92150    | 92150-1450 | BOII, CHANGE DRUM LEVER   |              |  |  | 1 |
| 92200    | 92200-114  | WASHER, 18.3X28X1.0       |              |  |  | 2 |
| 130      | 130S0620   | BOII-FLANGED, 6X20, BLACK |              |  |  | 1 |
| 235      | 235B0514   | SCREW-PAN-WP-CROS         |              |  |  | 2 |
| 311      | 311J0600   | NUT-HEX                   |              |  |  | 1 |
| 480      | 480J1800   | CIRCLIP-TYPE-C, 18MM      |              |  |  | 1 |



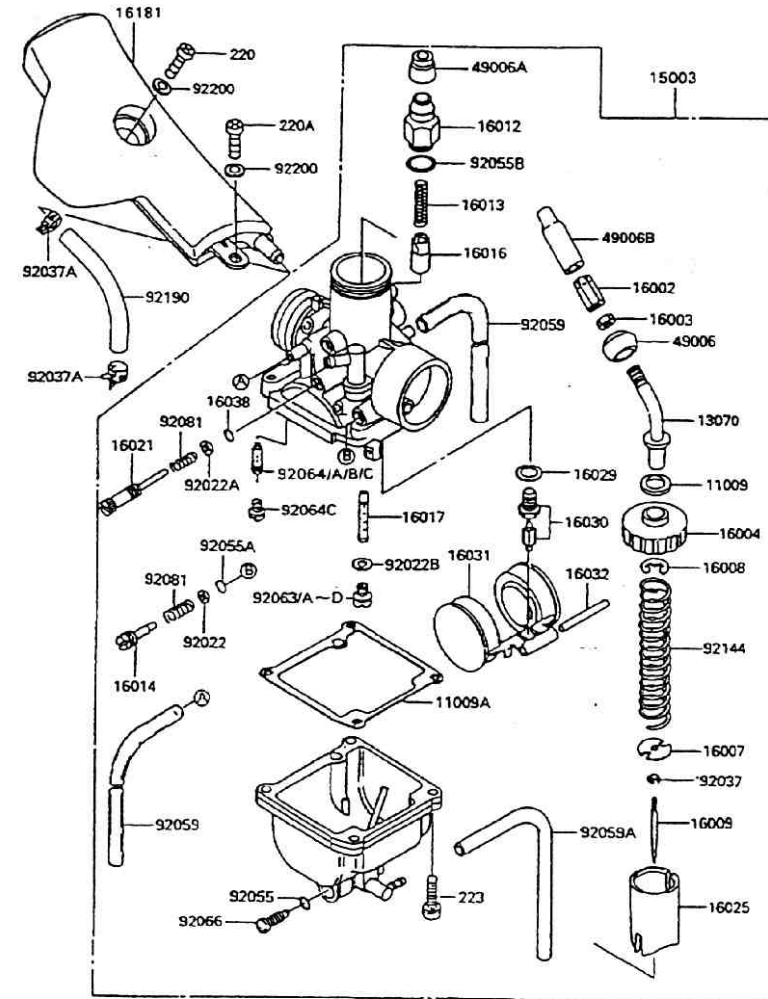


| Ref. No. | Part No.   | Description                 | Quantity-A110 |  |  |  |
|----------|------------|-----------------------------|---------------|--|--|--|
|          |            |                             | '99           |  |  |  |
| 11009    | 11009-1722 | GASKETGENERATOR COVER       | 1             |  |  |  |
| 11060    | 11060-1694 | GASKETCLUTCH COVER          | 1             |  |  |  |
| 13183    | 13183-1728 | PLATE                       | 1             |  |  |  |
| 14026    | 14026-A007 | COVER-CHAIN                 | 1             |  |  |  |
| 14031    | 14031-A01  | COVER-GENERATOR             | 1             |  |  |  |
| 14032    | 14032-A017 | COVER-CLUTCH                | 1             |  |  |  |
| 14090    | 14090-A028 | COVER, PUMP                 | 1             |  |  |  |
| 16115    | 16115-1053 | CAP-OILLEVEL                | 1             |  |  |  |
| 52005    | 52005-1055 | GAUGE, OILLEVEL             | 1             |  |  |  |
| 92045    | 92045-1294 | BEARING-BALL, 6001RUSH2     | 1             |  |  |  |
| 92051    | 92051-003  | SEAL-OIL, TB16267           | 1             |  |  |  |
| 92055    | 92055-012  | RING                        | 1             |  |  |  |
| 92150    | 92150-1406 | BOIT, 5X8                   | 6             |  |  |  |
| 92160    | 92160-1312 | DAMPER                      | 1             |  |  |  |
| 92170    | 92170-1573 | CLAMP                       | 1             |  |  |  |
| 220      | 220C0620   | SCREW PAN-CROS, 6X20, BLACK | 1             |  |  |  |
| 220A     | 220C0635   | SCREW PAN-CROS, 6X35, BLACK | 16            |  |  |  |
| 220B     | 220C0660   | SCREW PAN-CROS, 6X60        | 1             |  |  |  |
| 222      | 222C0530   | SCREW SK-RD-CROS, 5X30      | 2             |  |  |  |



| Ref. No. | Part No.          | Description                | Quantity-A#0 |  |  |               |
|----------|-------------------|----------------------------|--------------|--|--|---------------|
|          |                   |                            | '99          |  |  |               |
| 11009    | 11009-1074        | GASKET CABLE GUIDE         | 1            |  |  |               |
| 11009A   | 11009-1250        | GASKET FLOW CHAMBER        | 1            |  |  |               |
| 13070    | 13070-1068        | GUIDE, THROTTLE CABLE      | 1            |  |  |               |
| 15003    | 15003-1558        | CARBURETOR ASSY            | 1            |  |  |               |
| 16002    | 16002-004         | ADJUSTER-CABLE             | 1            |  |  |               |
| 16003    | 16003-004         | NUT CABLE ADJUSTOR         | 1            |  |  |               |
| 16004    | 16004-1062        | CAP-CHAMBER, MIXING        | 1            |  |  |               |
| 16007    | 16007-1044        | SEAT-SPRING                | 1            |  |  |               |
| 16008    | 16008-011         | CLAMP CABLE GUIDE          | 1            |  |  |               |
| 16009    | 16009-1641        | NEEDLE-JET DV01            | 1            |  |  |               |
| 16012    | 16012-1058        | CAP-STARTER PLUNGER        | 1            |  |  |               |
| 16013    | 16013-005         | SPRING, STARTER PLUNGER    | 1            |  |  |               |
| 16014    | 16014-1079        | SCREW PLUG AIR             | 1            |  |  |               |
| 16016    | 16016-002         | PLUNGER, STARTER           | 1            |  |  |               |
| 16017    | 16017-1360        | JET-NEEDLE                 | 1            |  |  |               |
| 16021    | 16021-162         | SCREW THROTTLE OP          | 1            |  |  |               |
| 16025    | 16025-181         | VALVE-THROTTLE, CA2.0      | 1            |  |  |               |
| 16029    | 16029-002         | GASKET FLOW VALVE SEA      | 1            |  |  |               |
| 16030    | 16030-1065        | VALVE-FLOW #1.5            | 1            |  |  |               |
| 16031    | 16031-1068        | FLOAT                      | 1            |  |  |               |
| 16032    | 92043-148         | PIN, FLOW                  | 1            |  |  |               |
| 16038    | 16038-022         | GASKET O-RING              | 1            |  |  |               |
| 16181    | 16181-1066        | TANK-RESONATOR             | 1            |  |  |               |
| 49006    | 11012-1389        | BOOT ADJUSTER, CABLE       | 1            |  |  |               |
| 49006A   | 49006-1203        | BOOT STARTER PLUNGER       | 1            |  |  |               |
| 49006B   | 49006-1084        | BOOT GRIDE, THROTTLE CABLE | 1            |  |  |               |
| 92022    | 92022-187         | WASHER, ADJUSTOR           | 1            |  |  |               |
| 92022A   | 92022-1698        | WASHER, THROTTLE SCREW     | 1            |  |  |               |
| 92022B   | 92022-1938        | WASHER                     | 1            |  |  |               |
| 92037    | 92037-1272        | CLAMP                      | 1            |  |  |               |
| 92037A   | 92037-1678        | CLAMP                      | 2            |  |  |               |
| 92055    | 92055-044         | RING-O                     | 1            |  |  |               |
| 92055A   | 92055-1078        | RING-O, ADJUSTOR           | 1            |  |  |               |
| 92055B   | 92055-1417        | RING-O, PLUNGER            | 1            |  |  |               |
| 92059    | 92059-1395        | TUBE, 3X5X160              | 2            |  |  |               |
| 92059A   | 92059-1396        | TUBE, 3X5X270              | 1            |  |  |               |
| 92063    | 92063-068         | JET-MAIN, #92.5 R          | 1            |  |  |               |
|          | (RACING USE ONLY) |                            |              |  |  |               |
| 92063A   | 92063-094         | JET-MAIN, #87.5 R*         | 1            |  |  | } OPCIONALES) |
| 92063B   | 92063-1029        | JET-MAIN, #90 R            | 1            |  |  |               |
|          | (RACING USE ONLY) |                            |              |  |  |               |
| 92063C   | 92063-1322        | JET-MAIN, #82.5 R          | 1            |  |  |               |
|          | (RACING USE ONLY) |                            |              |  |  |               |





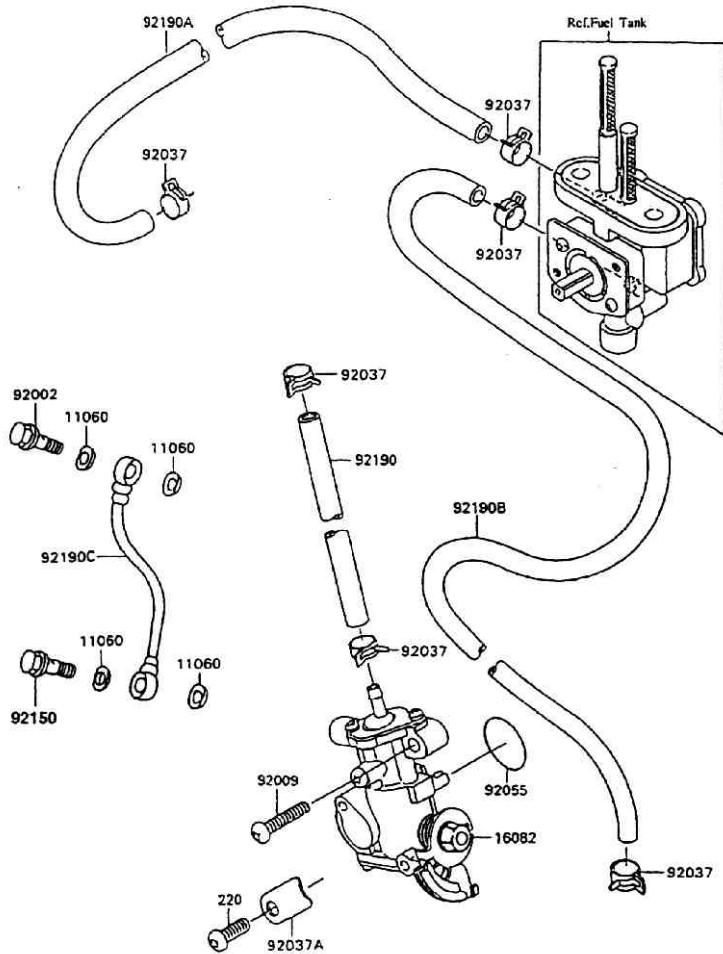
| Ref. No. | Part No.   | Description                                      | Quantity-A# |       |  |  |
|----------|------------|--|-------------|-------|--|--|
|          |            |  | '99         |       |  |  |
| 92063D   | 92063-1323 | JET-MAIN, #85 R<br>(RACING USE $\varnothing$ NL) | 1           | (STD) |  |  |
| 92064    | 92064-020  | JET-PILO#17.5                                    | 1           |       |  |  |
| 92064A   | 92064-032  | JET-PILO#25*                                     | 1           |       |  |  |
| 92064B   | 92064-040  | JET-PILO#22.5<br>(RACING USE $\varnothing$ NL)   | 1           |       |  |  |
| 92064C   | 92064-1043 | JET-PILO#20                                      | 1           | (STD) |  |  |
| 92066    | 92066-1064 | PLUG, DRAIN                                      | 1           |       |  |  |
| 92081    | 92081-153  | SPRING, SIP SCREW                                | 2           |       |  |  |
| 92144    | 92144-1271 | SPRING, THROTTLE VALVE                           | 1           |       |  |  |
| 92190    | 92190-1392 | TUBE   | 1           |       |  |  |
| 92200    | 92200-150  | WASHER   | 2           |       |  |  |
| 220      | 220C0614   | SCREWPAN-CROS, 6X14, BLACK                       | 1           |       |  |  |
| 220A     | 220C0616   | SCREWPAN-CROS, 6X16, BLACK                       | 1           |       |  |  |
| 223      | 223B0416   | SCREWPAN-WS-CROS, 4X16                           | 4           |       |  |  |

Group No.

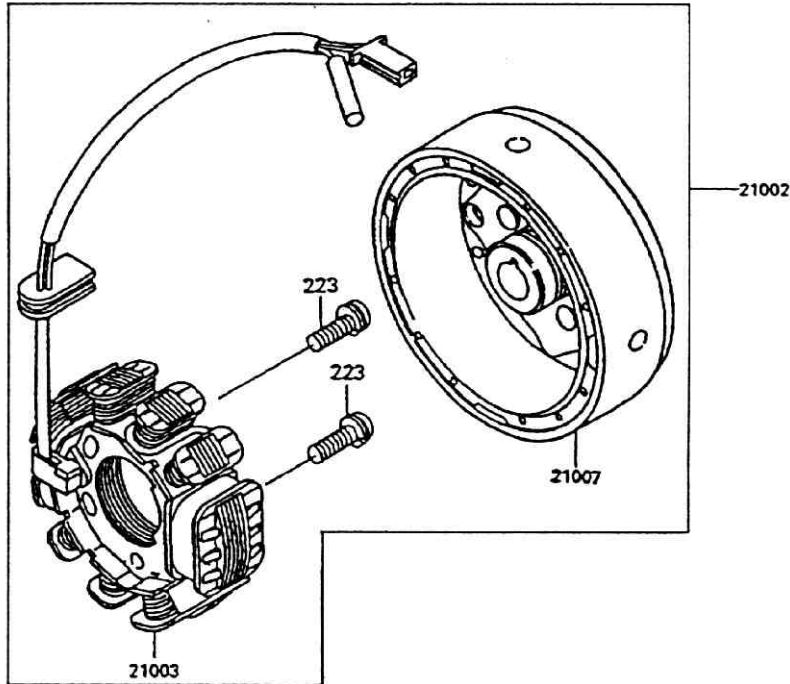
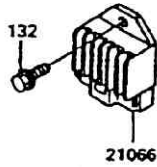
13

Oil Pump

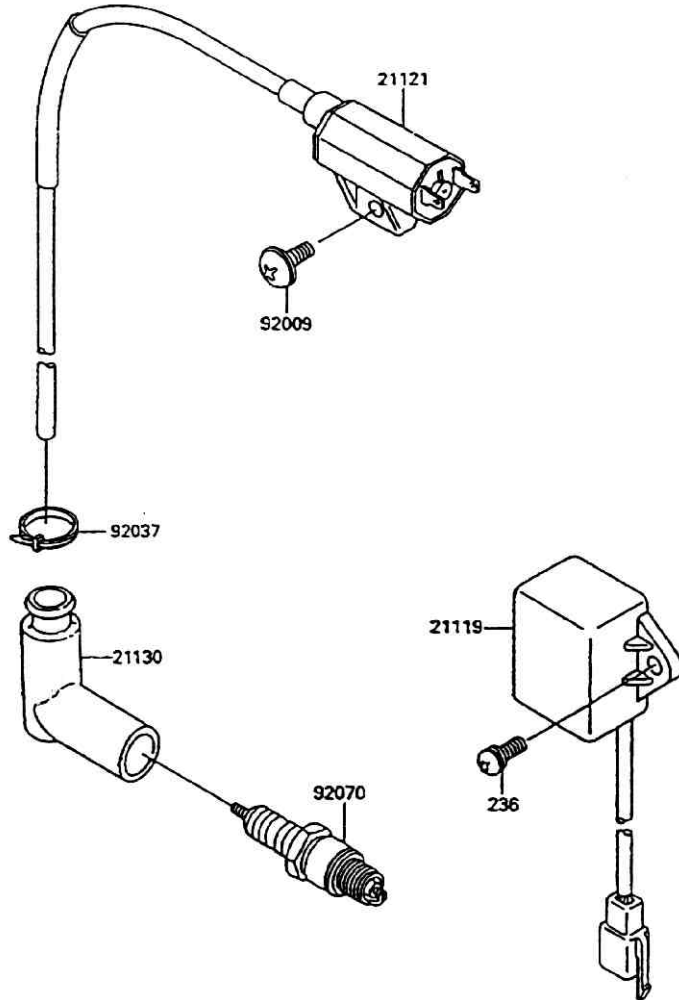
MAGIC 110



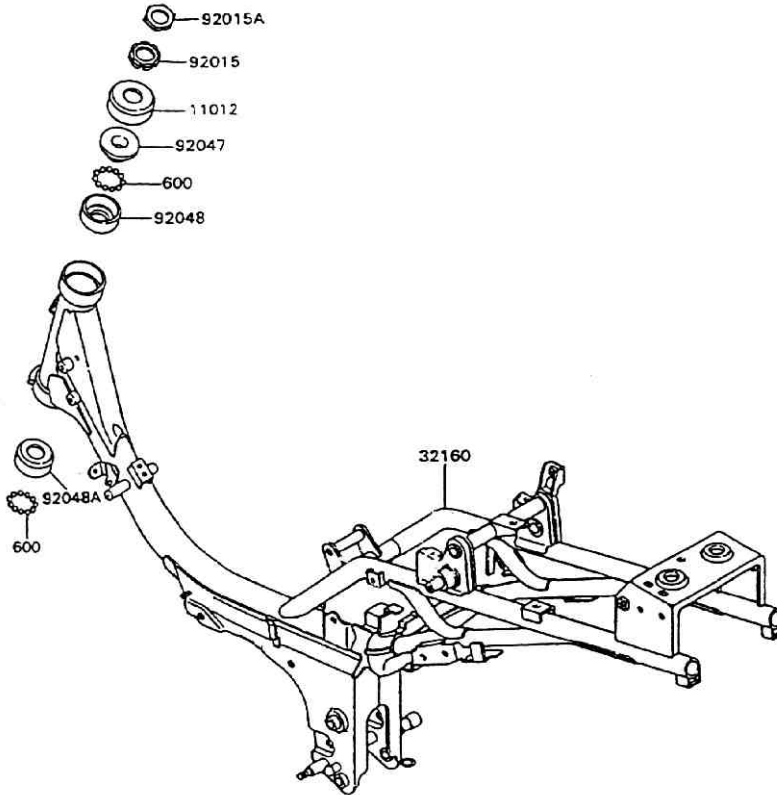
| Ref. No. | Part No.   | Description          | Quantity-A#0 |  |  |  |
|----------|------------|----------------------|--------------|--|--|--|
|          |            |                      | '99          |  |  |  |
| 11060    | 11060-1634 | GASKET               | 4            |  |  |  |
| 16082    | 16082-1135 | PUMP-ASSY OIL        | 1            |  |  |  |
| 92002    | 92002-1473 | BOI, BANJO, 6X19     | 1            |  |  |  |
| 92009    | 92009-1522 | SCREW 5X20           | 1            |  |  |  |
| 92037    | 92037-1601 | CLAMP                | 6            |  |  |  |
| 92037A   | 92037-187  | CLAMP                | 1            |  |  |  |
| 92055    | 92055-055  | RING-O, 19.5X1.5     | 1            |  |  |  |
| 92150    | 92150-1982 | BOI, BANJO, L=16     | 1            |  |  |  |
| 92190    | 92190-A006 | TUBE, 4.5X9.5X750    | 1            |  |  |  |
| 92190A   | 92190-1225 | TUBE, 4.5X9.5X385    | 1            |  |  |  |
| 92190B   | 92190-1393 | TUBE, 5X9X390        | 1            |  |  |  |
| 92190C   | 92190-1504 | TUBE, OIL            | 1            |  |  |  |
| 220      | 220B0612   | SCREW PAN-CROS, 6X12 | 1            |  |  |  |



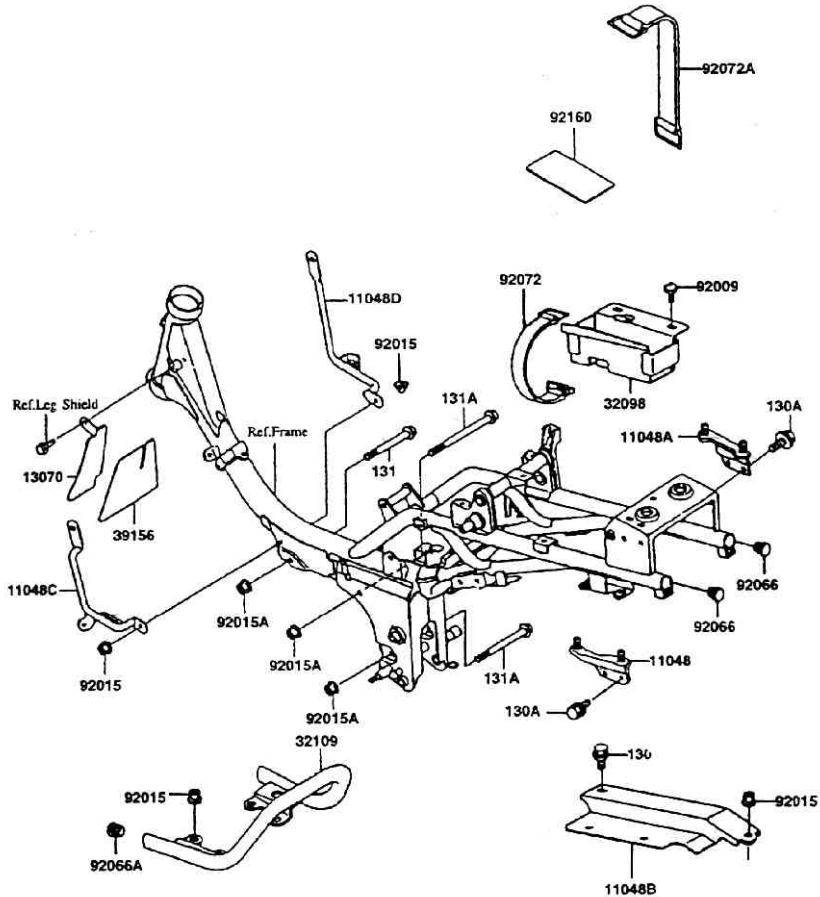
| Ref. No. | Part No.   | Description              | Quantity-A110 |  |  |  |
|----------|------------|--------------------------|---------------|--|--|--|
|          |            |                          | '99           |  |  |  |
| 21002    | 21002-1328 | MAGNEØ                   | 1             |  |  |  |
| 21003    | 21003-1284 | STATOR                   | 1             |  |  |  |
| 21007    | 21007-1303 | ROTOR                    | 1             |  |  |  |
| 21066    | 21066-1086 | REGULATOR VOLTAGE        | 1             |  |  |  |
| 132      | 132G0614   | BOLT-FLANGED-SMALL, 6X14 | 1             |  |  |  |
| 223      | 223B0620   | SCREW PAN-WS-CROS, 6X16  | 2             |  |  |  |



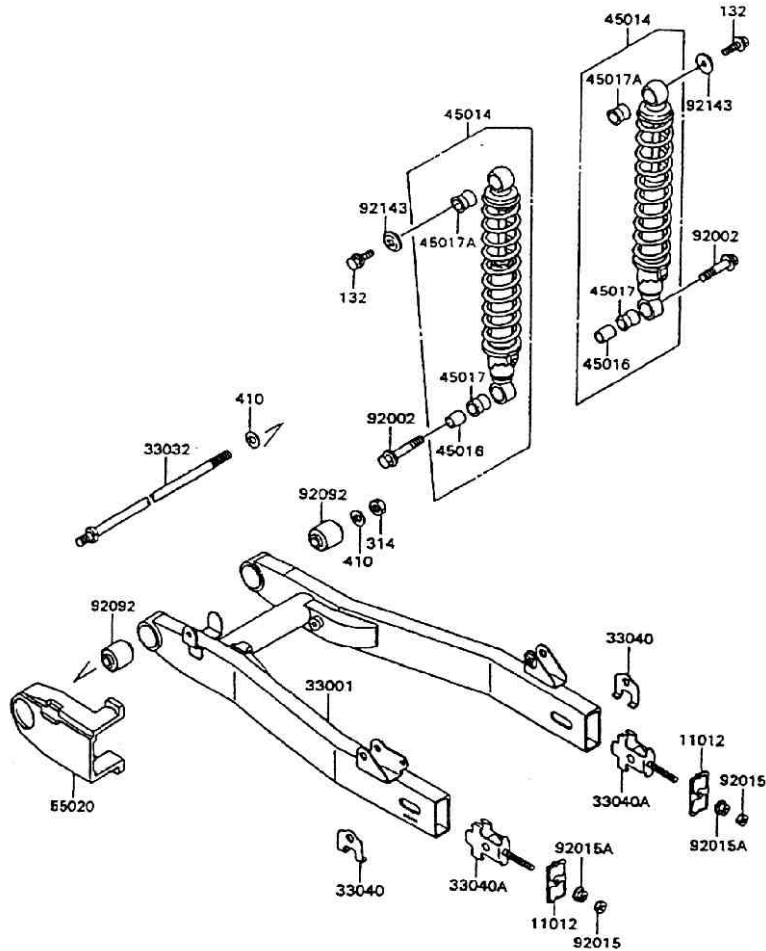
| Ref. No. | Part No.   | Description            | Quantity-A#0 |  |  |  |
|----------|------------|------------------------|--------------|--|--|--|
|          |            |                        | '99          |  |  |  |
|          |            |                        | A5           |  |  |  |
| 21119    | 21119-1442 | IGNITER                | 1            |  |  |  |
| 21121    | 21121-1229 | COIL-IGNITION          | 1            |  |  |  |
| 21130    | 21130-1062 | CAP-SPARK PLUG         | 1            |  |  |  |
| 92009    | 92009-1694 | SCREW 6X16             | 1 (STD)      |  |  |  |
| 92037    | 92037-173  | CLAMP                  | 1 (OPCIONAL) |  |  |  |
| 92070    | 92070-1263 | PLUG-SPARK, BP8HS(NGK) | 1            |  |  |  |
|          | 92070-1202 | PLUG-SPARK, BP7HS(NGK) | 1            |  |  |  |
| 236      | 236D0616   | SCREW PAN-WSP-CROS     | 1            |  |  |  |



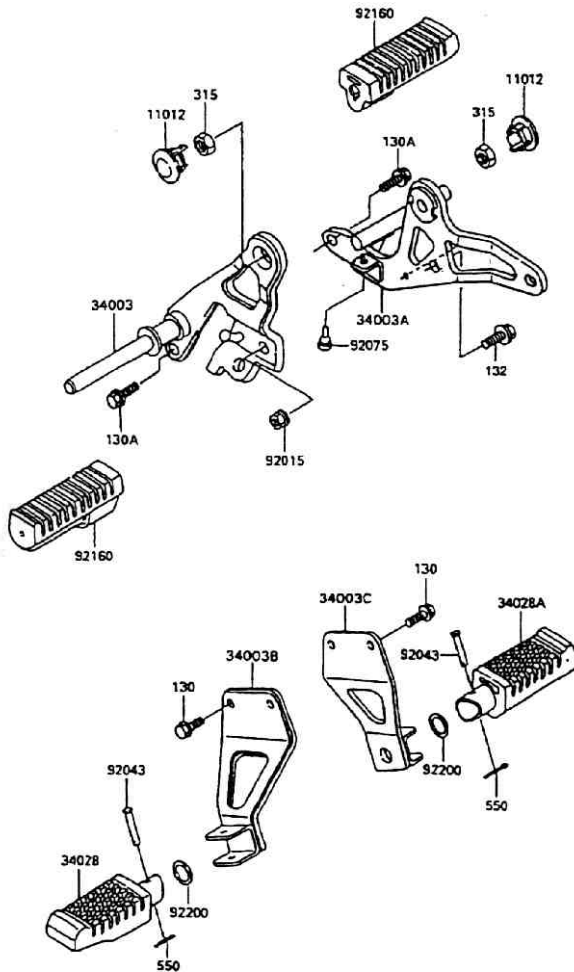
| Ref. No. | Part No.   | Description                  | Quantity-A# |  |  |  |
|----------|------------|------------------------------|-------------|--|--|--|
|          |            |                              | '99         |  |  |  |
| 11012    | 11012-1861 | CAP STEERING STEM            | 1           |  |  |  |
| 32160    | 32160-A027 | FRAME-COMP                   | 1           |  |  |  |
| 92015    | 92015-1900 | NUT STEERING STEM LOCK, 30MM | 1           |  |  |  |
| 92015A   | 92015-1901 | NUT 30MM                     | 1           |  |  |  |
| 92047    | 92047-011  | RACE, STEERING STEM BEARING  | 1           |  |  |  |
| 92048    | 92048-006  | RACE, STEERING STEM BEARING  | 1           |  |  |  |
| 92048A   | 92048-008  | RACE, STEERING STEM BEARING  | 1           |  |  |  |
| 600      | 600A0800   | BALL-STEEL, 1/4*             | 39          |  |  |  |



| Ref. No. | Part No.   | Description            | Quantity-A#0 |  |  |  |
|----------|------------|------------------------|--------------|--|--|--|
|          |            |                        | '99          |  |  |  |
| 11048    | 11048-1054 | BRACKET LH             | 1            |  |  |  |
| 11048A   | 11048-1055 | BRACKET RH             | 1            |  |  |  |
| 11048B   | 11048-1844 | BRACKET                | 1            |  |  |  |
| 11048C   | 11048-1898 | BRACKET SIDE COVER, LH | 1            |  |  |  |
| 11048D   | 11048-1899 | BRACKET SIDE COVER, RH | 1            |  |  |  |
| 13270    | 13270-1095 | PLATE, AIR CLEANER     | 1            |  |  |  |
| 32098    | 32098-117  | CASE-DOL               | 1            |  |  |  |
| 32109    | 32109-A012 | GRIP-FRAME             | 1            |  |  |  |
| 39156    | 39156-1378 | PAD, AIR CLEANER       | 1            |  |  |  |
| 92009    | 92009-1661 | SCREW                  | 3            |  |  |  |
| 92015    | 92015-1233 | NUT FLANGED, 6MM       | 9            |  |  |  |
| 92015A   | 92015-1406 | NUT FLANGED, 8MM       | 3            |  |  |  |
| 92066    | 92066-1301 | PLUG                   | 2            |  |  |  |
| 92066A   | 92066-1364 | PLUG                   | 2            |  |  |  |
| 92072    | 92072-039  | BAND-DOL               | 1            |  |  |  |
| 92072A   | 92072-045  | BAND, L=90             | 1            |  |  |  |
| 92160    | 92160-1292 | DAMPER                 | 1            |  |  |  |
| 130      | 130J0610   | BOII-FLANGED, 6X10     | 1            |  |  |  |
| 130A     | 130J0612   | BOII, FLANGED, 6X12    | 4            |  |  |  |
| 131      | 131G0875   | BOII, FLANGED, 8X75    | 1            |  |  |  |
| 131A     | 131G08105  | BOII-FLANGED, 8X10.5   | 2            |  |  |  |

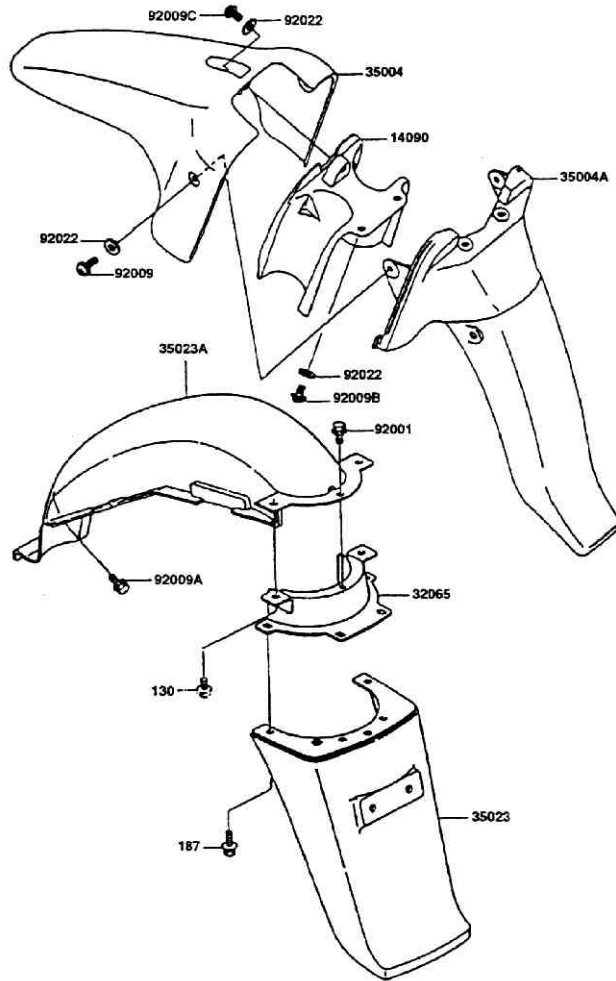


| Ref. No. | Part No.   | Description                     | Quantity-A#0 |  |  |  |
|----------|------------|---------------------------------|--------------|--|--|--|
|          |            |                                 | '99          |  |  |  |
| 11012    | 11012-1789 | CAPCHAIN ADJUSTER               | 2            |  |  |  |
| 33001    | 33001-A018 | ARM-COMP-SWING                  | 1            |  |  |  |
| 33032    | 33032-166  | SHAF-SWING ARM                  | 1            |  |  |  |
| 33040    | 33040-1057 | ADJUSTER-CHAIN                  | 2            |  |  |  |
| 33040A   | 33040-120  | ADJUSTER-CHAIN, INNER           | 2            |  |  |  |
| 45014    | 45014-1559 | SHOCKABSORBER                   | 2            |  |  |  |
| 45016    | 45016-008  | COLLAR, SHOCKABSORBER           | 2            |  |  |  |
| 45017    | 45017-012  | DAMPER, SHOCKABSORBER           | 2            |  |  |  |
| 45017A   | 45017-015  | DAMPER, SHOCKABSORBER           | 2            |  |  |  |
| 55020    | 55020-A026 | GUARD, CHAIN                    | 1            |  |  |  |
| 92002    | 92002-1829 | BOI, FLANGED, 10X35             | 2            |  |  |  |
| 92015    | 92015-1364 | NUT8MM                          | 2            |  |  |  |
| 92015A   | 92015-1406 | NUTFLANGED, 8MM                 | 2            |  |  |  |
| 92092    | 92092-005  | BUSHING-RUBBER                  | 2            |  |  |  |
| 92143    | 92143-A012 | COLLAR                          | 2            |  |  |  |
| 132      | 132E0616   | BOI-FLANGED-SMALL               | 2            |  |  |  |
| 314      | 314B1200   | NUTHEX-FINE                     | 1            |  |  |  |
| 410      | 410F1200   | WASHER-PLAN-SMALL, 12MM, BLACK2 |              |  |  |  |



| Ref. No. | Part No.   | Description             | Quantity-A#0 |  |  |  |
|----------|------------|-------------------------|--------------|--|--|--|
|          |            |                         | '99          |  |  |  |
| 11012    | 11012-1998 | CAP                     | 2            |  |  |  |
| 34003    | 34003-A018 | HOLDER-STEPR, RH        | 1            |  |  |  |
| 34003A   | 34003-A019 | HOLDER-STEPR, LH        | 1            |  |  |  |
| 34003B   | 34003-A020 | HOLDER-STEPR, LH        | 1            |  |  |  |
| 34003C   | 34003-A021 | HOLDER-STEPR, RH        | 1            |  |  |  |
| 34028    | 34028-1349 | STEPR, LH               | 1            |  |  |  |
| 34028A   | 34028-1350 | STEPR, RH               | 1            |  |  |  |
| 92015    | 92015-180  | NUT FLANGED, 10MM       | 1            |  |  |  |
| 92043    | 92043-1464 | PIN, 6X28               | 2            |  |  |  |
| 92075    | 92075-1808 | DAMPER                  | 1            |  |  |  |
| 92160    | 92160-1660 | DAMPER, STEP            | 2            |  |  |  |
| 92200    | 92200-120  | WASHER, 19.5X28X2.3     | 2            |  |  |  |
| 130      | 130B0818   | BOI-FLNGED, 8X18        | 4            |  |  |  |
| 130A     | 130G0820   | BOI-FLANGED, 8X20       | 2            |  |  |  |
| 132      | 132E0820   | BOI-FLANGED-SMALL, 8X20 | 1            |  |  |  |
| 315      | 315G1200   | NUTHEX-FINE             | 2            |  |  |  |
| 550      | 550D2015   | PIN-COTTER, 2.0X15      | 2            |  |  |  |





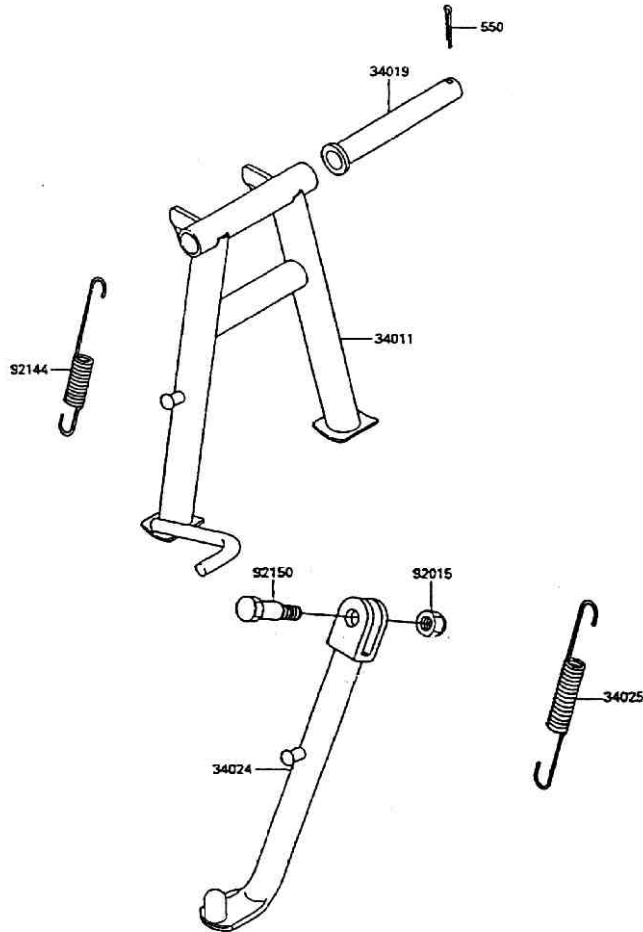
| Ref. No. | Part No.      | Description        | Quantity-A10 |  |  |           |
|----------|---------------|--------------------|--------------|--|--|-----------|
|          |               |                    | '99          |  |  |           |
| 14090    | 14090-1813    | COVER-FENDER-LOW   | 1            |  |  |           |
| 32065    | 32065-1275    | BRACKET-FENDER, RR | 1            |  |  |           |
| 35004    | 35004-1354-NP | FENDER-FRONT       | 1            |  |  | (SIN PIN) |
|          | 35004-A702    | FENDER-FRONT BLUE  | 1            |  |  |           |
|          | 35004-A703    | FENDER-FRONT GREEN | 1            |  |  |           |
|          | 35004-A704    | FENDER-FRONT RED   | 1            |  |  |           |
| 35004    | 35004-17702   | GUARDABARRO AZUL   | 1            |  |  |           |
| 35004    | 35004-17703   | GUARDABARRO VERDE  | 1            |  |  |           |
| 35004    | 35004-17704   | GUARDABARRO ROJO   | 1            |  |  |           |
| 35004A   | 35004-1355    | FENDER-FRONT       | 1            |  |  |           |
| 35023    | 35023-1328    | FENDER-REAR, RR    | 1            |  |  |           |
| 35023A   | 35023-A016    | FENDER-REAR, FR    | 1            |  |  |           |
| 92001    | 92001-1862    | BOIT, W/SF6X14     | 1            |  |  |           |
| 92009    | 92009-1287    | SCREW6X14, WHITE   | 2            |  |  |           |
| 92009A   | 92009-1288    | SCREW6X14, BLACK   | 2            |  |  |           |
| 92009B   | 92009-1662    | SCREW6X14, BLACK   | 4            |  |  |           |
| 92009C   | 92009-1774    | SCREW6X28, BLACK   | 1            |  |  |           |
| 92022    | 92022-143     | WASHER             | 5            |  |  |           |
| 130      | 130D0612      | BOIT-FLANGED       | 2            |  |  |           |
| 187      | 187B0622      | BOIT-UPSETWSP      | 4            |  |  |           |

Group No.

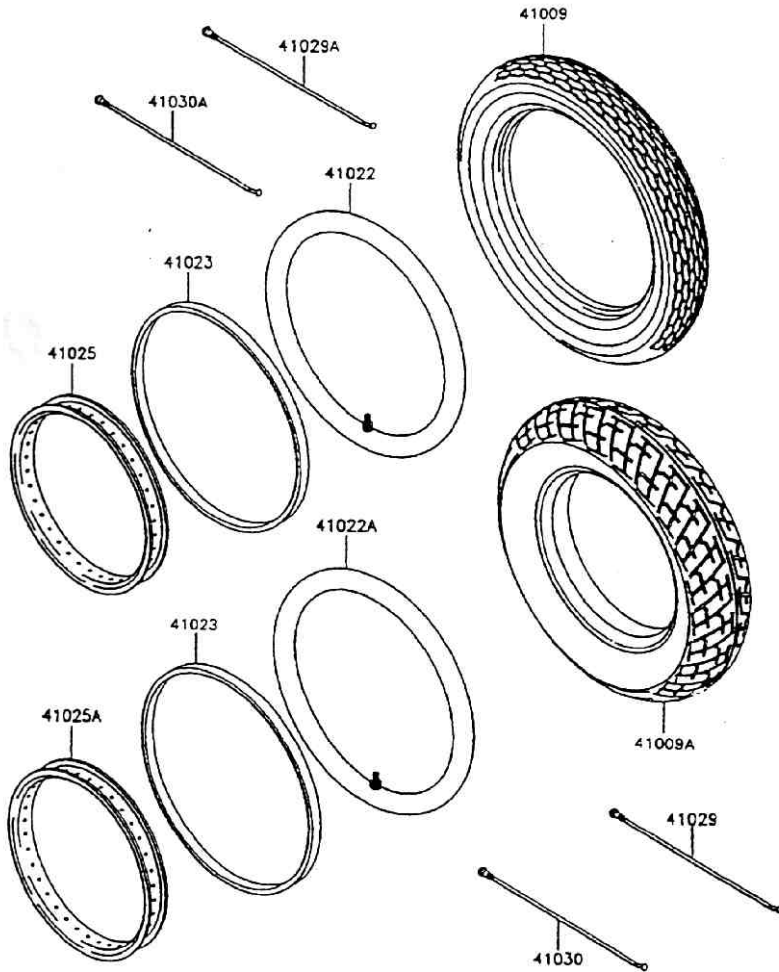
MAGIC 110

21

Stand(s)



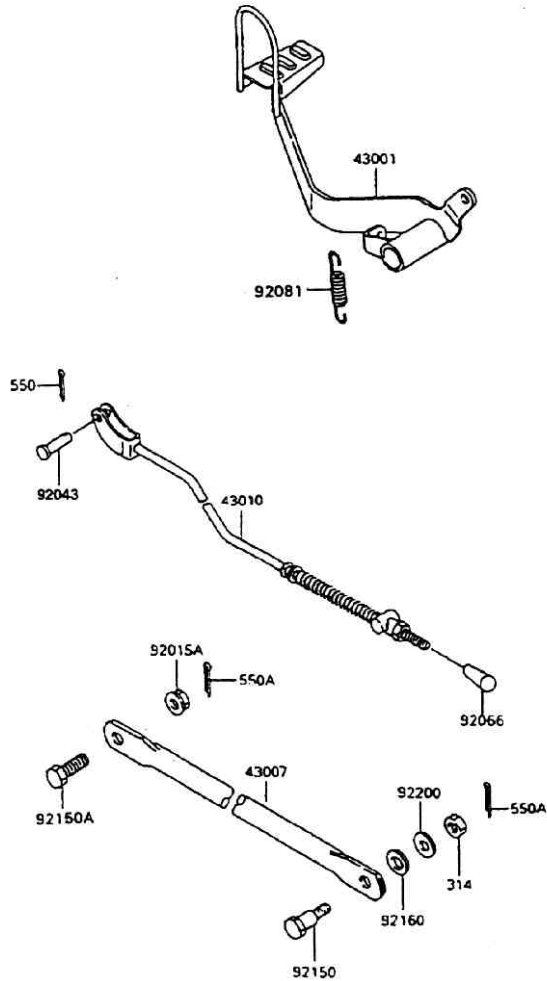
| Ref. No. | Part No.   | Description          | Quantity-A#0 |  |  |  |
|----------|------------|----------------------|--------------|--|--|--|
|          |            |                      | '99          |  |  |  |
| 3401     | 3401-A006  | STAND-CENTER         | 1            |  |  |  |
| 34019    | 34019-1054 | SHAF-STAND, CNT      | 1            |  |  |  |
| 34024    | 34024-A010 | STAND-SIDE           | 1            |  |  |  |
| 34025    | 34025-005  | SPRING-SID           | 1            |  |  |  |
| 92015    | 92015-188  | NUTLOCK, 10MM, BLACK | 1            |  |  |  |
| 92144    | 92144-1385 | SPRING, CENTER-SID   | 1            |  |  |  |
| 92150    | 92150-1545 | BOI, SIDE STAND      | 1            |  |  |  |
| 550      | 550D3030   | PIN-COTTER, 3.0X3.0  | 1            |  |  |  |



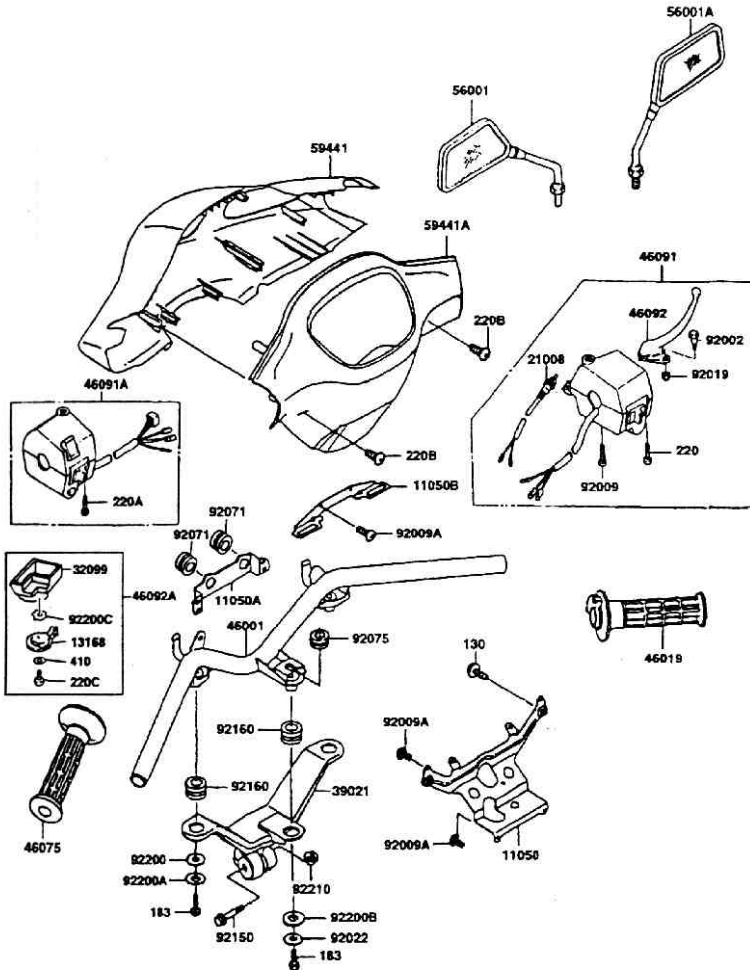
| Ref. No. | Part No.           | Description             | Quantity-A# |  |  |            |
|----------|--------------------|-------------------------|-------------|--|--|------------|
|          |                    |                         | '99         |  |  |            |
| 41009    | 41070-2217-NR53/18 | TIRE, FR, 2.25X17       | 1           |  |  | (OPCIONAL) |
|          | 41070-2517-NR53/18 | TIRE, FR, 2.50X17       | 1           |  |  | (STD)      |
| 41009A   | 41070-2517-NR53/18 | TIRE, RR, 2.50X17       | 1           |  |  | (OPCIONAL) |
|          | 41070-2717-NR53/18 | TIRE, RR, 2.75X17       | 1           |  |  | (STD)      |
| 41022    | 41075-2217/18      | TUBE-TIRE, 2.25/2.50X17 | 1           |  |  | (STD)      |
| 41022A   | 41075-2717/18      | TUBE-TIRE, 2.75X17      | 1           |  |  | (OPCIONAL) |
|          | 41075-3017/18      | TUBE-TIRE, 3.00X17      | 1           |  |  | (STD)      |
| 41023    | 41023-1002         | BAND-RIM, 2.50X17       | 2           |  |  |            |
| 41025    | 41025-003          | RIM, FR, 1.20X17        | 1           |  |  |            |
| 41025    | 41025-1385         | RIM, FR, 1.40X17        | 1           |  |  | (STD)      |
| 41025A   | 41025-006          | RIM, RR, 1.40X17        | 1           |  |  |            |
|          | 41025-1279         | RIM, RR, 1.60X17        | 1           |  |  | (STD)      |
| 41029    | 41029-1209         | SPOKE-INNER             | 36          |  |  |            |
| 41030    | 41030-1124         | SPOKE-OUTER             | 36          |  |  |            |



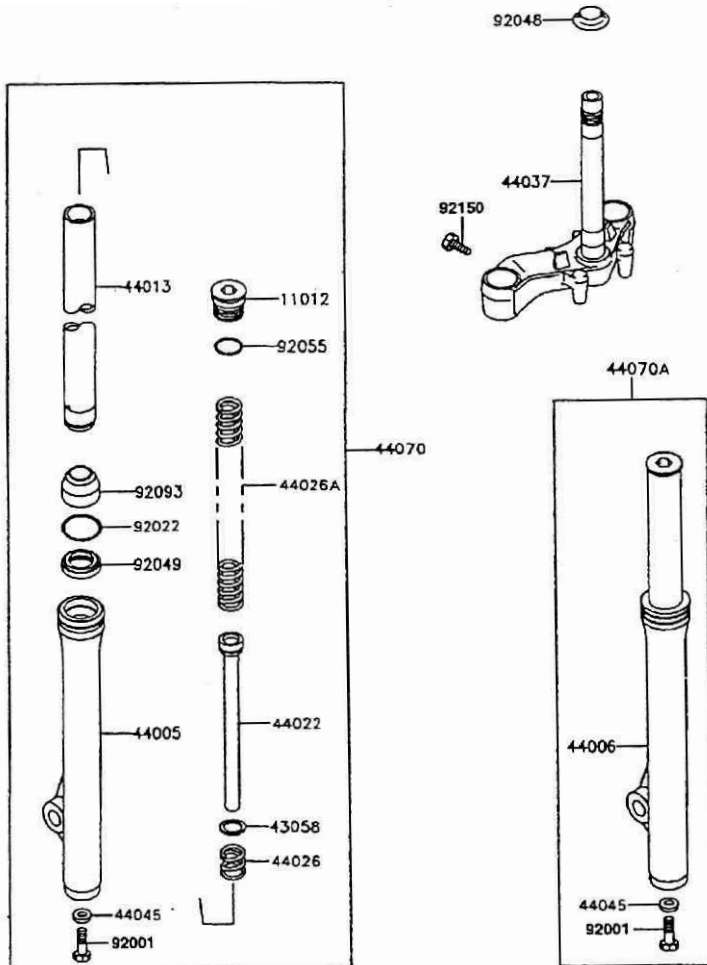




| Ref. No. | Part No.   | Description        | Quantity-A#0 |  |  |  |
|----------|------------|--------------------|--------------|--|--|--|
|          |            |                    | '99          |  |  |  |
| 43001    | 43001-1373 | LEVER-BRAKE, PEDAL | 1            |  |  |  |
| 43007    | 43007-160  | ROD-DRQUE          | 1            |  |  |  |
| 43010    | 43010-A003 | ROD-ASSBRAKE       | 1            |  |  |  |
| 92015    | 92015-1428 | NUTFLANGED, 10MM   | 1            |  |  |  |
| 92043    | 92043-1542 | PIN                | 1            |  |  |  |
| 92081    | 92081-1947 | SPRING, STERETURN  | 1            |  |  |  |
| 92066    | 92066-1433 | PLUG               | 1            |  |  |  |
| 92150    | 92150-1544 | BOII, 8X30.1       | 1            |  |  |  |
| 92150A   | 92150-1873 | BOII, 10.25        | 1            |  |  |  |
| 92160    | 92160-1313 | DAMPER             | 1            |  |  |  |
| 92200    | 92200-113  | WASHER, 8X22X2.3   | 1            |  |  |  |
| 314      | 314B0800   | NUTHEX-FINE, 8MM   | 1            |  |  |  |
| 550      | 550D2015   | PIN-COTTER, 2.0X15 | 1            |  |  |  |
| 550A     | 550D2018   | PIN-COTTER, 2.0X18 | 2            |  |  |  |

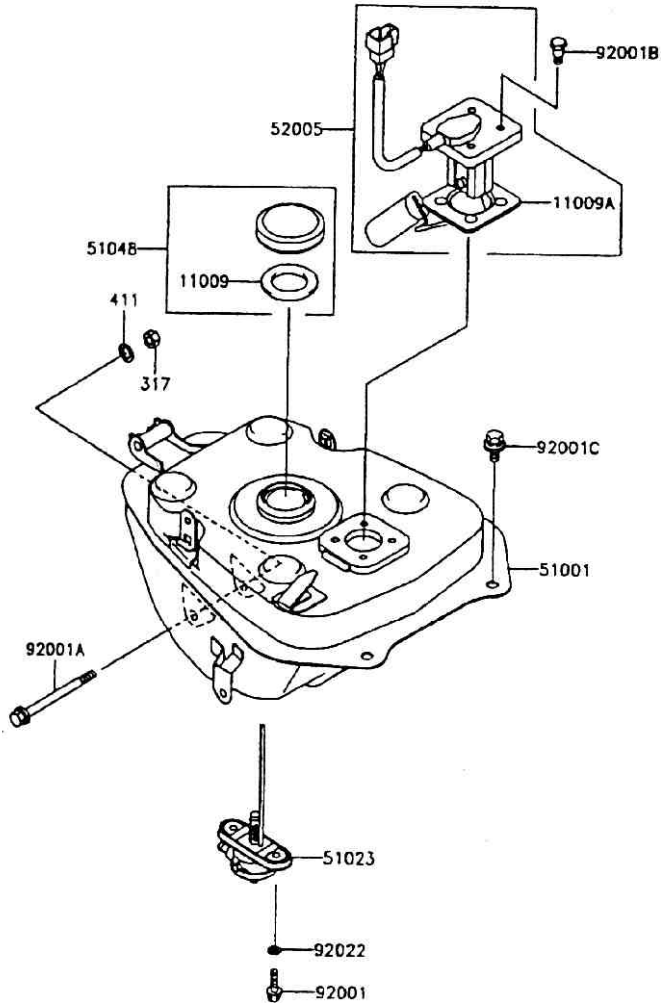


| Ref. No. | Part No.   | Description             | Quantity-A# |  |  |  |
|----------|------------|-------------------------|-------------|--|--|--|
|          |            |                         | '99         |  |  |  |
| 11050    | 11050-1264 | BRACKETCOVER, FR        | 1           |  |  |  |
| 11050A   | 11050-1265 | BRACKETMETER            | 1           |  |  |  |
| 11050B   | 11050-1331 | BRACKETHEAD LAMP        | 1           |  |  |  |
| 13168    | 13168-A002 | LEVER-CHOKE             | 1           |  |  |  |
| 21008    | 21008-1052 | SWITCH, BRAKE, FR       | 1           |  |  |  |
| 32099    | 32099-A001 | BODYLEVER CHOKE         | 1           |  |  |  |
| 39021    | 39021-1056 | BRACKETHANDLE POLE      | 1           |  |  |  |
| 46001    | 46001-A002 | HANDLE-ASSY             | 1           |  |  |  |
| 46019    | 46019-A005 | GRIP-ASSYTHROTTLE       | 1           |  |  |  |
| 46075    | 46075-A005 | GRIPLH                  | 1           |  |  |  |
| 46091    | 46091-1346 | HOUSING-ASSCONTROL, RH  | 1           |  |  |  |
| 46091A   | 46091-1347 | HOUSING-ASSCONTROL, LH  | 1           |  |  |  |
| 46092    | 46092-1013 | LEVER-GRIPRONBRAKE      | 1           |  |  |  |
| 46092A   | 46092-A014 | LEVER-CHOKE-ASSY        | 1           |  |  |  |
| 56001    | 56001-1455 | MIRROR-ASSRH            | 1           |  |  |  |
| 56001A   | 56001-1456 | MIRROR-ASSRH            | 1           |  |  |  |
| 59441    | 59441-A700 | COVER-HANDLE, FR BLUE   | 1           |  |  |  |
|          | 59441-A701 | COVER-HANDLE, FR GREEN  | 1           |  |  |  |
|          | 59441-A702 | COVER-HANDLE, FR RED    | 1           |  |  |  |
| 59441A   | 59441-1133 | COVER-HANDLE, RR        | 1           |  |  |  |
| 92002    | 92002-111  | BOIT                    | 1           |  |  |  |
| 92009    | 92009-1018 | SCREW                   | 1           |  |  |  |
| 92009A   | 92009-1503 | SCREW                   | 6           |  |  |  |
| 92019    | 92019-014  | NUTLOCK                 | 1           |  |  |  |
| 92022    | 92022-1561 | WASHER                  | 1           |  |  |  |
| 92071    | 92071-056  | DAMPER                  | 2           |  |  |  |
| 92075    | 92075-1067 | DAMPER                  | 1           |  |  |  |
| 92150    | 92150-1719 | BOIT, FLANGED, 10X51    | 1           |  |  |  |
| 92160    | 92160-1527 | DAMPER                  | 3           |  |  |  |
| 92200    | 92200-165  | WASHER                  | 2           |  |  |  |
| 92200A   | 92200-1215 | WASHER, 8.5X17X2.3      | 2           |  |  |  |
| 92200B   | 92200-1216 | WASHER, 8.5X32X2.3      | 1           |  |  |  |
| 92200C   | 92200-A001 | WASHER                  | 1           |  |  |  |
| 92210    | 92210-1080 | WASHER                  | 1           |  |  |  |
| 130      | 130J0614   | BOIT-FLANGED, 6X14      | 2           |  |  |  |
| 183      | 183H0820   | BOIT-UPSETWS-SMALL      | 3           |  |  |  |
| 220      | 220B0530   | SCREWSPAN-CROS, 5X30    | 1           |  |  |  |
| 220A     | 220B0550   | SCREWSPAN-CROS, 5X50    | 4           |  |  |  |
| 220B     | 220C0412   | SCREWSPAN-CROS, 4X12    | 2           |  |  |  |
| 220C     | 220C0610   | SCREWSPAN-CROS, 6X10    | 1           |  |  |  |
| 410      | 410B0600   | WASHER-PLAIN-SMALL, 6MM | 1           |  |  |  |

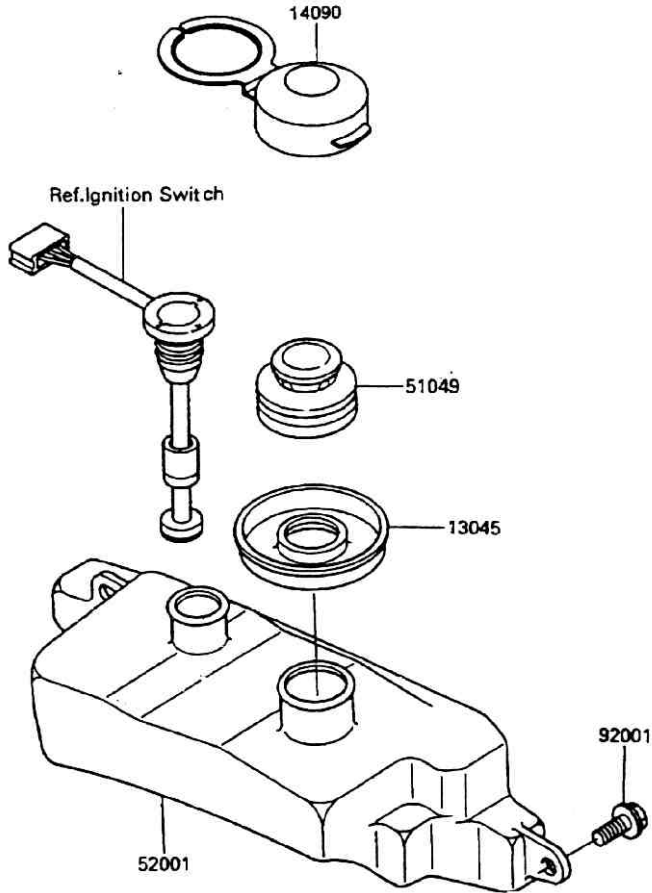


| Ref. No. | Part No.      | Description                 | Quantity-A#0 |  |  |  |
|----------|---------------|-----------------------------|--------------|--|--|--|
|          |               |                             | '99          |  |  |  |
| 11012    | 11012-173     | CAP-FORK BDL                | 2            |  |  |  |
| 44005    | 44005-1348    | PIPE-LEFTFORK OUTER         | 1            |  |  |  |
| 44006    | 44006-1346    | PIPE-RIGHTFORK OUTER        | 1            |  |  |  |
| 44013    | 44013-1406    | PIPE-FORK INNER             | 2            |  |  |  |
| 44022    | 44022-1302 NP | CYLINDER-FORK               | 2            |  |  |  |
| 44026    | 44026-1567 NP | SPRING-FRONTFORK            | 2            |  |  |  |
| 44026A   | 44026-1568 NP | SPRING-FRONTFORK            | 2            |  |  |  |
| 44037    | 44037-A018    | HOLDER-FORK UNDER           | 1            |  |  |  |
| 44045    | 44045-051     | GASKETFORK CYLINDER BOL     | 2            |  |  |  |
| 43058    | 43058-1082 NP | WASHER                      | 2            |  |  |  |
| 44070    | 44070-1362    | DAMPER-ASSFORK, LH          | 1            |  |  |  |
| 44070A   | 44070-1363    | DAMPER-ASSFORK, RH          | 1            |  |  |  |
| 92001    | 92001-1464    | BOLT, FORK CYLINDER         | 2            |  |  |  |
| 92022    | 92022-1253    | WASHER, OUTER PIPE          | 2            |  |  |  |
| 92048    | 92048-1096    | RACE, STEERING STEM BEARING | 1            |  |  |  |
| 92049    | 92049-1432    | SEAL-OIL                    | 2            |  |  |  |
| 92055    | 92055-104     | RING-O, FRONTFORK           | 2            |  |  |  |
| 92093    | 92093-1377 NP | SEAL                        | 2            |  |  |  |
| 92150    | 92150-174     | BOLT, 8X30                  | 4            |  |  |  |

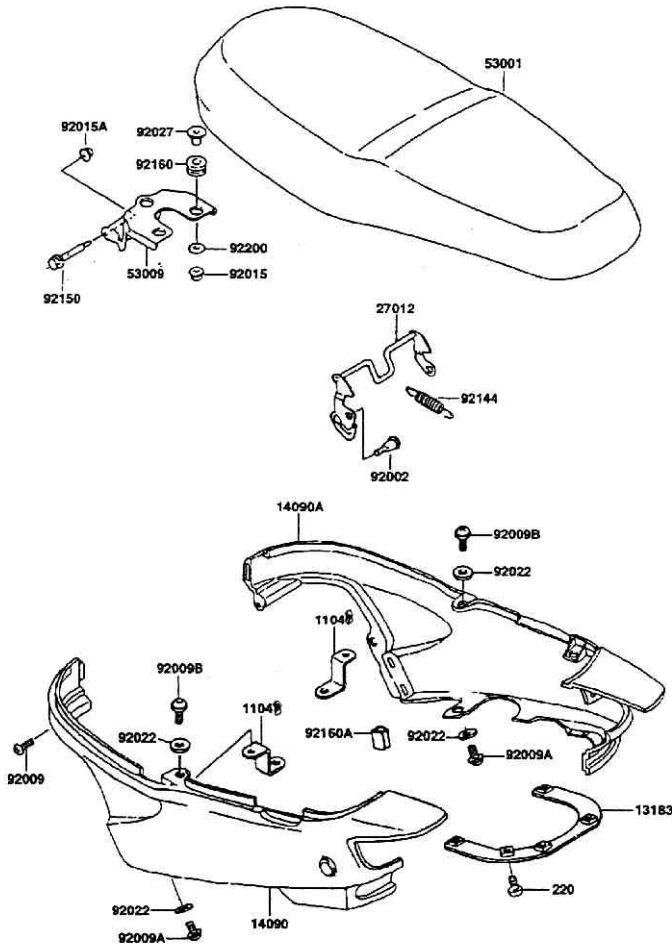




| Ref. No. | Part No.   | Description         | Quantity-A110 |  |  |   |
|----------|------------|---------------------|---------------|--|--|---|
|          |            |                     | '99           |  |  |   |
| 11009    | 11009-1656 | GASKET FUEL GAUGE   |               |  |  | 1 |
| 51001    | 51001-A013 | TANK-COMP-FUEL      |               |  |  | 1 |
| 51023    | 51023-1212 | TAP-ASSY FUEL       |               |  |  | 1 |
| 51048    | 51048-1120 | CAP-ASSY TANK       |               |  |  | 1 |
| 52005    | 52005-1100 | GAUGE, FUEL         |               |  |  | 1 |
| 92001    | 92001-1091 | BOII, 6X20          |               |  |  | 2 |
| 92001A   | 92001-1583 | BOII, FLANGED, 8X70 |               |  |  | 1 |
| 92001B   | 92001-1705 | BOII, FUEL GAUGE    |               |  |  | 4 |
| 92001C   | 92001-1862 | BOII, W/SP6X14      |               |  |  | 2 |
| 92022    | 92022-183  | WASHER, 6.2X11.5    |               |  |  | 2 |
| 317      | 317B0800   | NUT HEX-SMALL, 8MM  |               |  |  | 1 |
| 411      | 411B0800   | WASHER-PLAIN, 8MM   |               |  |  | 1 |

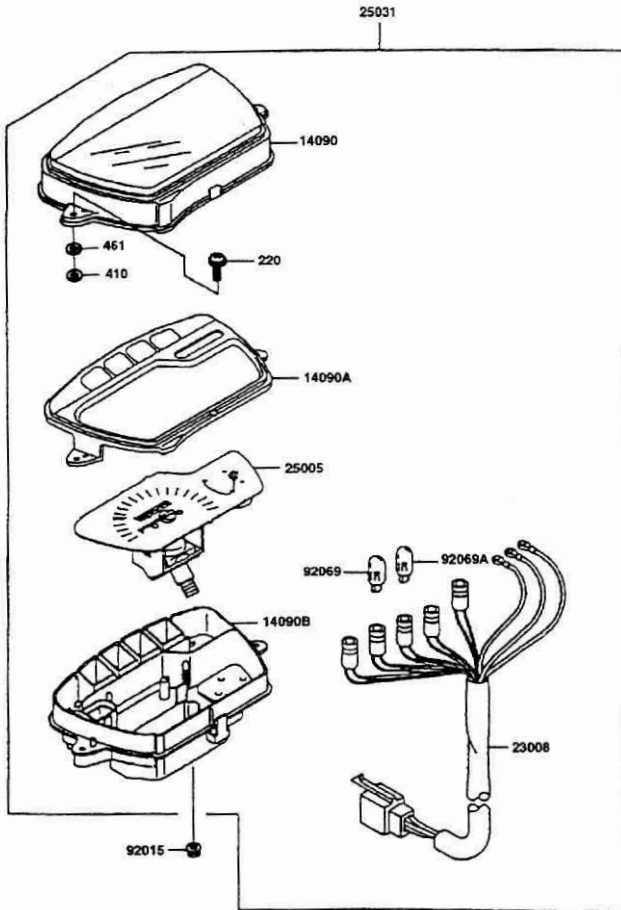


| Ref. No. | Part No.   | Description        | Quantity-A#0 |  |  |   |
|----------|------------|--------------------|--------------|--|--|---|
|          |            |                    | '99          |  |  |   |
| 13045    | 13045-1053 | RECEIVER-OIL       |              |  |  | 1 |
| 14090    | 14090-1329 | COVER, OILTANK CAP |              |  |  | 1 |
| 51049    | 51049-1096 | CAP-WNK            |              |  |  | 1 |
| 52001    | 52001-1088 | TANK-OIL           |              |  |  | 1 |
| 92001    | 92001-1926 | BOIT, 6X14         |              |  |  | 2 |

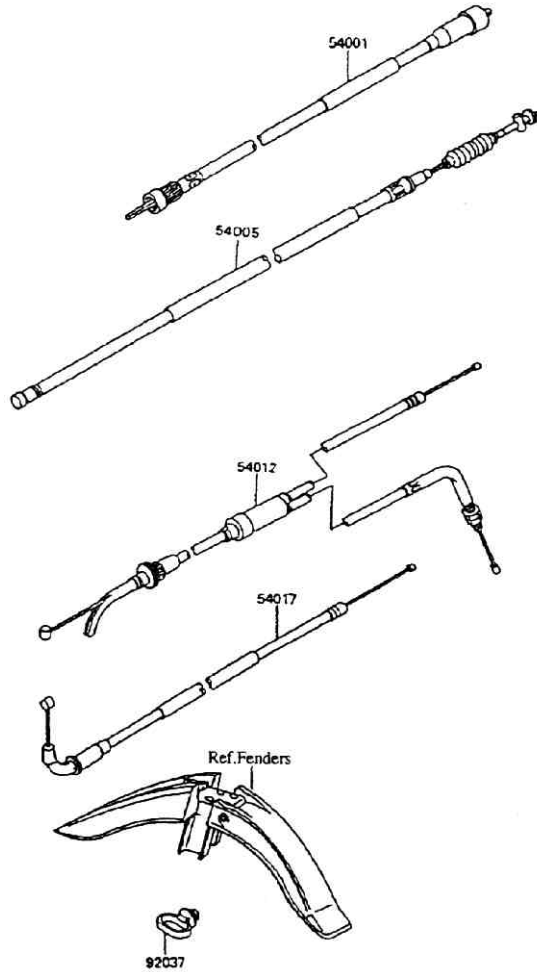


| Ref. No. | Part No.      | Description            | Quantity-A110 |           |  |  |
|----------|---------------|------------------------|---------------|-----------|--|--|
|          |               |                        | '99           |           |  |  |
| 11048    | 11048-1080    | BRACKET                | 2             |           |  |  |
| 13183    | 13271-1113    | PLATE                  | 1             |           |  |  |
| 14090    | 14090-1982-NP | COVER, SEALH           | 1             | (SIN PIN) |  |  |
| 14090A   | 14090-1983-NP | COVER, SEALH           | 1             | (SIN PIN) |  |  |
| 27012    | 27012-1452    | HOOK, SEA              | 1             |           |  |  |
| 53001    | 53001-1786    | SEA-ASSY               | 1             |           |  |  |
| 53009    | 53009-A006    | HINGE, SEA             | 1             |           |  |  |
| 92002    | 92002-1616    | BOLT, SOCKET           | 2             |           |  |  |
| 92009    | 92009-1158    | SCREW X16, BLACK       | 1             |           |  |  |
| 92009A   | 92009-1256    | SCREW                  | 2             |           |  |  |
| 92009B   | 92009-1288    | SCREW X14              | 2             |           |  |  |
| 92015    | 92015-1233    | NUT FLANGED, 6MM       | 3             |           |  |  |
| 92015A   | 92015-1752    | NUT LOCK, FLANGED, 5MM | 1             |           |  |  |
| 92022    | 92022-1143    | WASHER, 6.5X16X1       | 4             |           |  |  |
| 92027    | 92027-251     | COLLAR, L=13.1         | 3             |           |  |  |
| 92144    | 92144-1120    | SPRING                 | 1             |           |  |  |
| 92150    | 92150-1520    | BOIT, 5X49             | 1             |           |  |  |
| 92160    | 92160-1294    | DAMPER                 | 3             |           |  |  |
| 92160A   | 92160-A036    | DAMPER                 | 2             |           |  |  |
| 92200    | 92200-1087    | WASHER, 6.5X22X1.6     | 3             |           |  |  |
| 220      | 220D0610      | SCREW PAN-CROS, 6X10   | 1             |           |  |  |

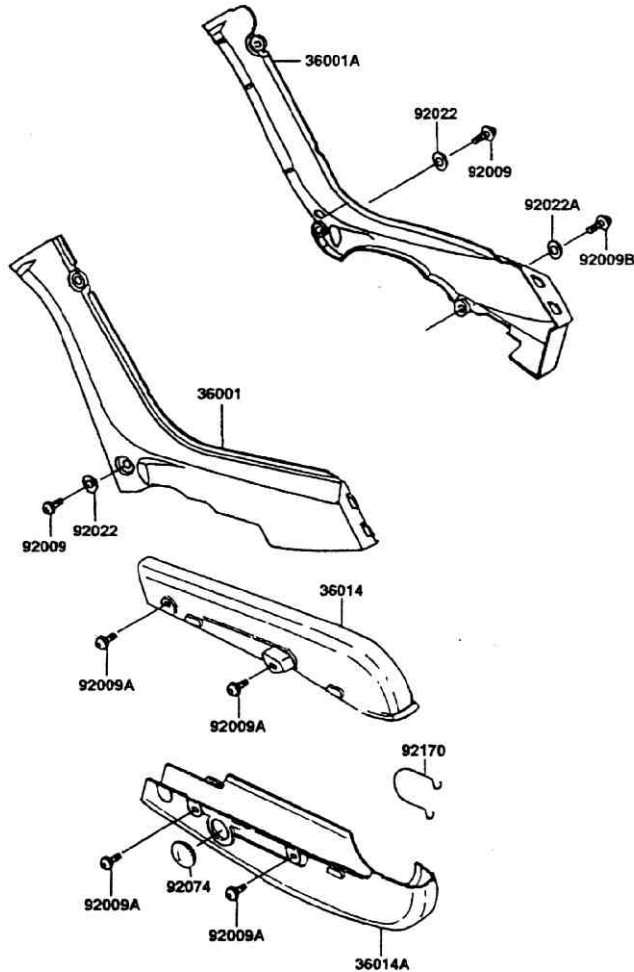
**31** Meter(s)



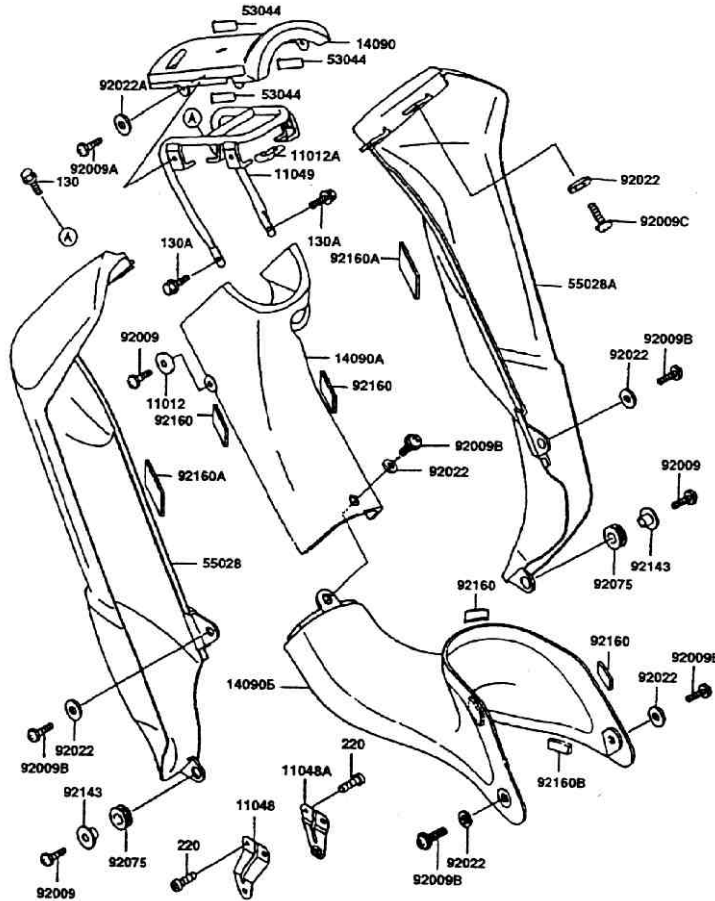
| Ref. No. | Part No.   | Description               | Quantity-A#0 |  |  |   |
|----------|------------|---------------------------|--------------|--|--|---|
|          |            |                           | '99          |  |  |   |
| 14090    | 14090-A013 | COVER, UPP                |              |  |  | 1 |
| 14090A   | 14090-A014 | COVER, REFLECTOR          |              |  |  | 1 |
| 14090B   | 14090-A015 | COVER, LOW                |              |  |  | 1 |
| 23008    | 23008-A048 | SOCKET ASSY, METER        |              |  |  | 1 |
| 25005    | 25005-A034 | METER, SPEEDOMETER & FUEL |              |  |  | 1 |
| 25031    | 25031-A027 | METER ASSY                |              |  |  | 1 |
| 92015    | 92015-1259 | NUT FLANGED, 5MM          |              |  |  | 3 |
| 92069    | 92069-A002 | BULB, 12V 1.7W            |              |  |  | 2 |
| 92069A   | 92069-A003 | BULB, 12V 3W              |              |  |  | 5 |
| 220      | 220B0412   | SCREW PAN-CROS, 4X12      |              |  |  | 2 |
| 410      | 410B0400   | WASHER PAN-SMALL, 4MM     |              |  |  | 2 |
| 461      | 461B0400   | WASHER, 4MM               |              |  |  | 2 |



| Ref. No. | Part No.   | Description       | Quantity-A110 |  |  |  |
|----------|------------|-------------------|---------------|--|--|--|
|          |            |                   | '99           |  |  |  |
| 54001    | 54001-1204 | CABLE-SPEEDOMETER | 1             |  |  |  |
| 54005    | 54005-179  | CABLE-BRAKE       | 1             |  |  |  |
| 54012    | 54012-A006 | CABLE-THROTTLE    | 1             |  |  |  |
| 54017    | 54017-A003 | CABLE-STARTER     | 1             |  |  |  |
| 92037    | 92037-1459 | CLAMP-CABLE       | 1             |  |  |  |



| Ref. No. | Part No.      | Description            | Quantity-A# |           |  |  |
|----------|---------------|------------------------|-------------|-----------|--|--|
|          |               |                        | '99         |           |  |  |
| 36001    | 36001-1555-NP | COVER-SIDE, LH         | 1           | (SIN PIN) |  |  |
| 36001A   | 36001-A012-NP | COVER-SIDE, RH         | 1           | (SIN PIN) |  |  |
| 36014    | 36014-A005    | CASE-CHAIN, UPP        | 1           |           |  |  |
| 36014A   | 36014-A006    | CASE-CHAINWR           | 1           |           |  |  |
| 92009    | 92009-1287    | SCREW6X14, WHITE       | 2           |           |  |  |
| 92009A   | 92009-1288    | SCREW6X14, BLACK       | 4           |           |  |  |
| 92009B   | 92009-1652    | SCREW5X12              | 1           |           |  |  |
| 92022    | 92022-143     | WASHER, 6.5X16X1       | 2           |           |  |  |
| 92022A   | 92022-1521    | WASHER, NYLON, 513X1.5 | 1           |           |  |  |
| 92074    | 92074-004     | GROMMET                | 1           |           |  |  |
| 92170    | 92170-1753    | CLAMP                  | 1           |           |  |  |

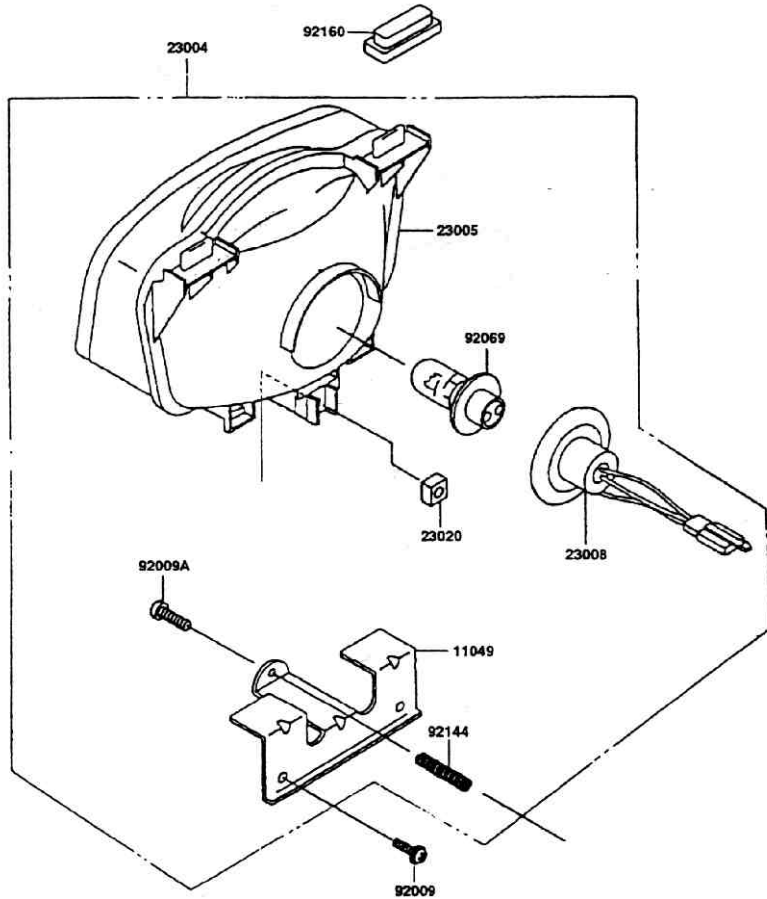


| Ref. No. | Part No.      | Description               | Quantity-A#0 |             |  |  |
|----------|---------------|---------------------------|--------------|-------------|--|--|
|          |               |                           | '99          |             |  |  |
| 11012    | 11012-1786    | CAP                       | 2            |             |  |  |
| 11012A   | 11012-1864    | CAP-FRONT/COVER BRACKET   | 4            |             |  |  |
| 11048    | 11048-1908    | BRACKET LEG SHIELD/RR, LH | 1            |             |  |  |
| 11048A   | 11048-1909    | BRACKET LEG SHIELD/RR, RH | 1            |             |  |  |
| 11049    | 11049-1696    | BRACKET FRONE COVER       | 1            |             |  |  |
| 14090    | 14090-1711-NP | COVER, FRONT              | 1            | (SIN PINAR) |  |  |
| 14090A   | 14090-1866    | COVER, LEG SHIELD, FR     | 1            |             |  |  |
| 14090B   | 14090-1867    | COVER, LEG SHIELD, RR     | 1            |             |  |  |
| 53044    | 53044-A009    | DAMPER                    | 4            |             |  |  |
| 55028    | 55028-1307-NP | COWLING, LEG SHIELD, LH   | 1            | (SIN PINAR) |  |  |
| 55028A   | 55028-1308-NP | COWLING, LEG SHIELD, RH   | 1            | (SIN PINAR) |  |  |
| 92009    | 92009-111     | SCREW 6X18, WHITE         | 4            |             |  |  |
| 92009A   | 92009-182     | SCREW 5X12, BLACK         | 4            |             |  |  |
| 92009B   | 92009-1287    | SCREW 6X14, WHITE         | 2            |             |  |  |
| 92009C   | 92009-1288    | SCREW 6X14, BLACK         | 6            |             |  |  |
| 92009D   | 92009-1256    | SCREW 6X18, BLACK         | 1            |             |  |  |
| 92022    | 92022-143     | WASHER, 6.5X16X1          | 7            |             |  |  |
| 92022A   | 92022-1521    | WASHER, NYLON, 513X11.5   | 6            |             |  |  |
| 92075    | 92075-1634    | DAMPER                    | 2            |             |  |  |
| 92143    | 92143-1016    | COLLAR, L=9.6             | 2            |             |  |  |
| 92160    | 92160-1678    | DAMPER                    | 5            |             |  |  |
| 92160A   | 92160-1679    | DAMPER                    | 2            |             |  |  |
| 92160B   | 92160-A025    | DAMPER                    | 6            |             |  |  |
| 130      | 130G0812      | BOI, 8X12                 | 1            |             |  |  |
| 130A     | 130J0612      | BOI-FLANGED, 6X12         | 2            |             |  |  |

Group No.

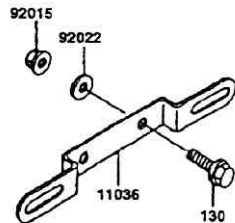
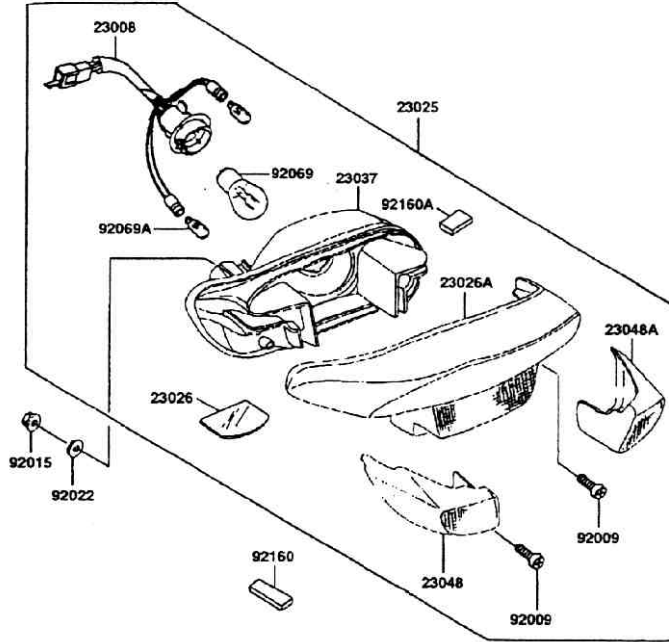
MAGIC 110

**35** Headlight(s)

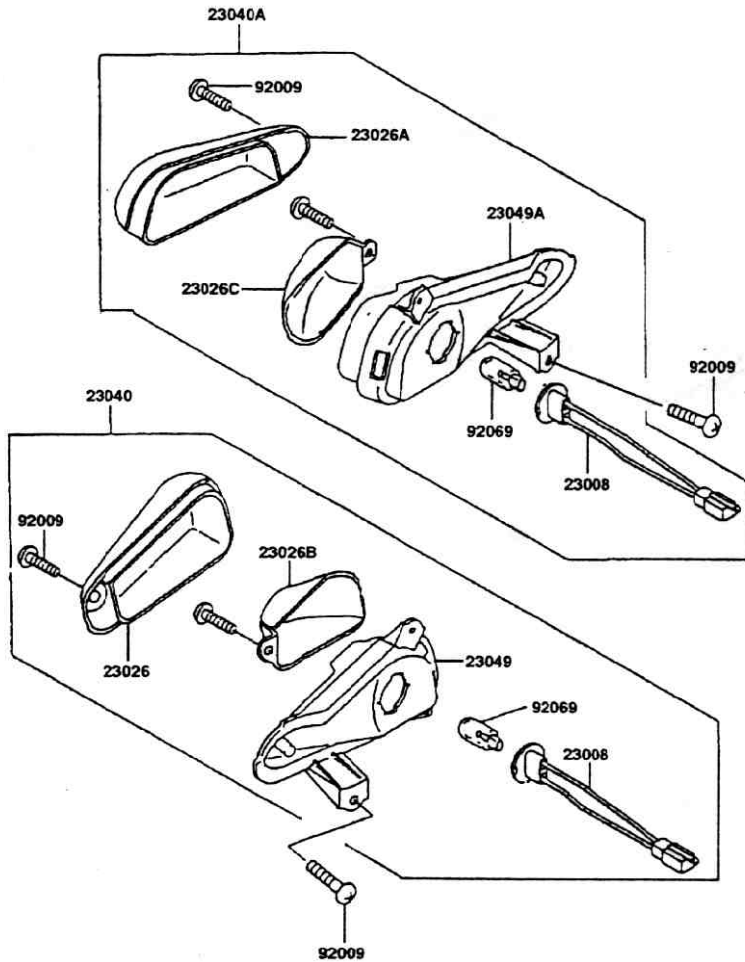


| Ref. No. | Part No.   | Description          | Quantity-A#0 |  |  |  |
|----------|------------|----------------------|--------------|--|--|--|
|          |            |                      | '99          |  |  |  |
| 11049    | 11049-A004 | BRACKETHEAD LAMP     | 1            |  |  |  |
| 23004    | 23004-1391 | LAMPHEAD             | 1            |  |  |  |
| 23005    | 23005-A007 | LENS-COMPEAD LAMP    | 1            |  |  |  |
| 23008    | 23008-1567 | SOCKETASSYHEAD LAMP  | 1            |  |  |  |
| 23020    | 23020-018  | NUT4MM, FOCUS ADJUST | 1            |  |  |  |
| 92009    | 92009-1792 | SCREWAPPING, 4X14    | 2            |  |  |  |
| 92009A   | 92009-A029 | SCREW                | 1            |  |  |  |
| 92069    | 92069-1019 | BULB, 12V 35/35W     | 1            |  |  |  |
| 92144    | 92144-1964 | SPRING               | 1            |  |  |  |
| 92160    | 92160-1304 | DAMPER               | 2            |  |  |  |





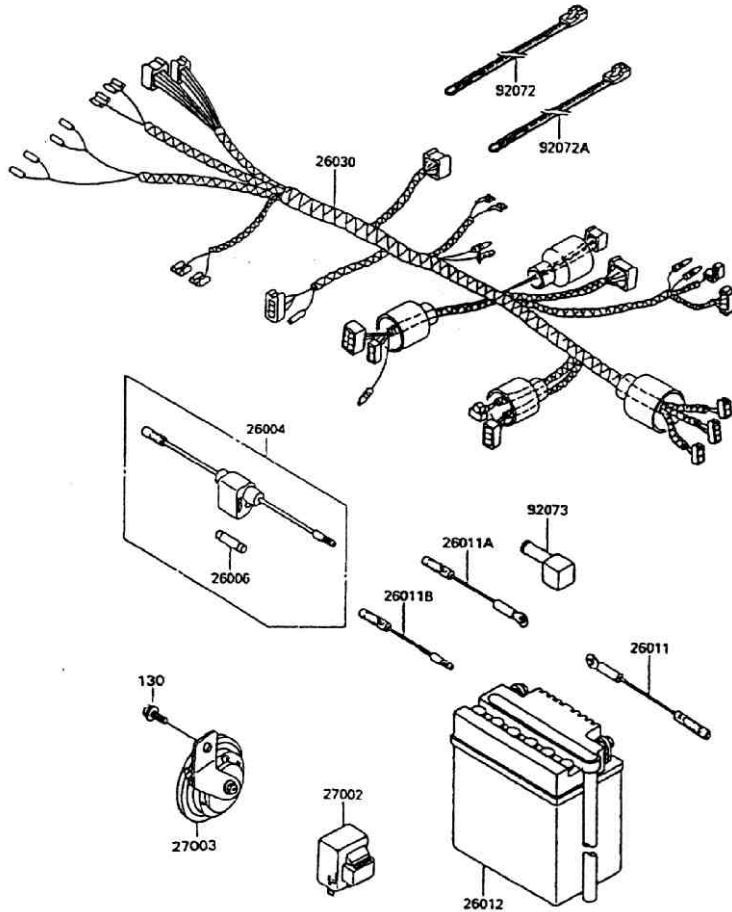
| Ref. No. | Part No.   | Description            | Quantity-A110 |  |  |   |
|----------|------------|------------------------|---------------|--|--|---|
|          |            |                        | '99           |  |  |   |
| 11036    | 11036-1040 | BRACKET, LICENSE PLATE |               |  |  | 1 |
| 23008    | 23008-1551 | SOCKET ASSY LAMP TAIL  |               |  |  | 1 |
| 23025    | 23025-A017 | LAMP TAIL              |               |  |  | 1 |
| 23026    | 23026-185  | LENS, LICENSE LIGHT    |               |  |  | 1 |
| 23026A   | 23026-A031 | LENS, TAIL LAMP        |               |  |  | 1 |
| 23037    | 23037-1128 | BODY COMP TAIL LAMP    |               |  |  | 1 |
| 23048    | 23048-153  | LENS-SIGNAL AMP LH     |               |  |  | 1 |
| 23048A   | 23048-154  | LENS-SIGNAL AMP RH     |               |  |  | 1 |
| 92009    | 92009-1355 | SCREW TAPPING          |               |  |  | 4 |
| 92015    | 92015-193  | NUT FLANGED, 6MM       |               |  |  | 2 |
| 92022    | 92022-125  | WASHER, 6.5X10X1.2     |               |  |  | 2 |
| 92160    | 92160-1674 | DAMPER                 |               |  |  | 1 |
| 92160A   | 92160-1675 | DAMPER                 |               |  |  | 1 |
| 92069    | 92069-057  | BULB, 12V 18/5W        |               |  |  | 1 |
| 92069A   | 92069-1088 | BULB, 12V 10W          |               |  |  | 2 |
| 130      | 130D0614   | BOLT FLANGED, 6X14     |               |  |  | 2 |



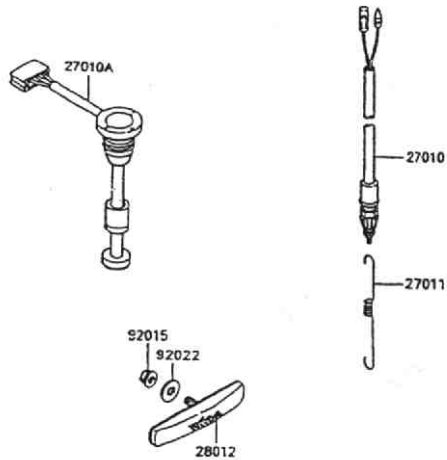
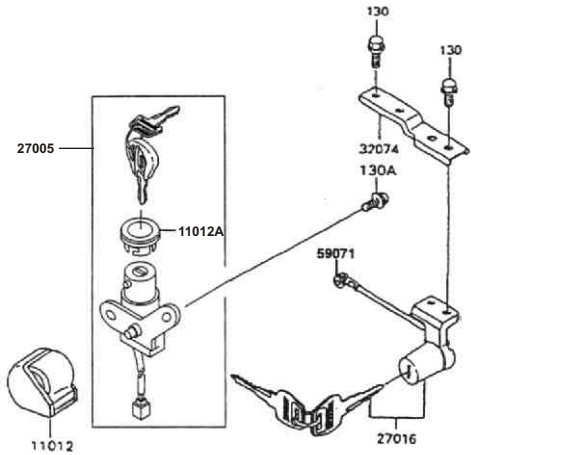
| Ref. No. | Part No.   | Description                | Quantity-A#0 |  |  |   |
|----------|------------|----------------------------|--------------|--|--|---|
|          |            |                            | '99          |  |  |   |
| 23008    | 23008-A053 | SOCKET ASSY SIGNAL LAMP    |              |  |  | 2 |
| 23026    | 23026-A034 | LENS-SIGNAL LAMP LH        |              |  |  | 1 |
| 23026A   | 23026-A035 | LENS-SIGNAL LAMP RH        |              |  |  | 1 |
| 23026B   | 23026-A036 | LENS-SIGNAL LAMP INNER, LH |              |  |  | 1 |
| 23026C   | 23026-A037 | LENS-SIGNAL LAMP INNER, RH |              |  |  | 1 |
| 23040    | 23040-1273 | LAMP-SIGNAL LAMP LH        |              |  |  | 1 |
| 23040A   | 23040-1274 | LAMP-SIGNAL LAMP RH        |              |  |  | 1 |
| 23049    | 23049-A006 | BODY COMP SIGNAL LAMP LH   |              |  |  | 1 |
| 23049A   | 23049-A007 | BODY COMP SIGNAL LAMP RH   |              |  |  | 1 |
| 92009    | 92009-A030 | SCREW                      |              |  |  | 4 |
| 92069    | 92069-1088 | BULB, 12V 10W              |              |  |  | 2 |

Chassis Electrical Equipment

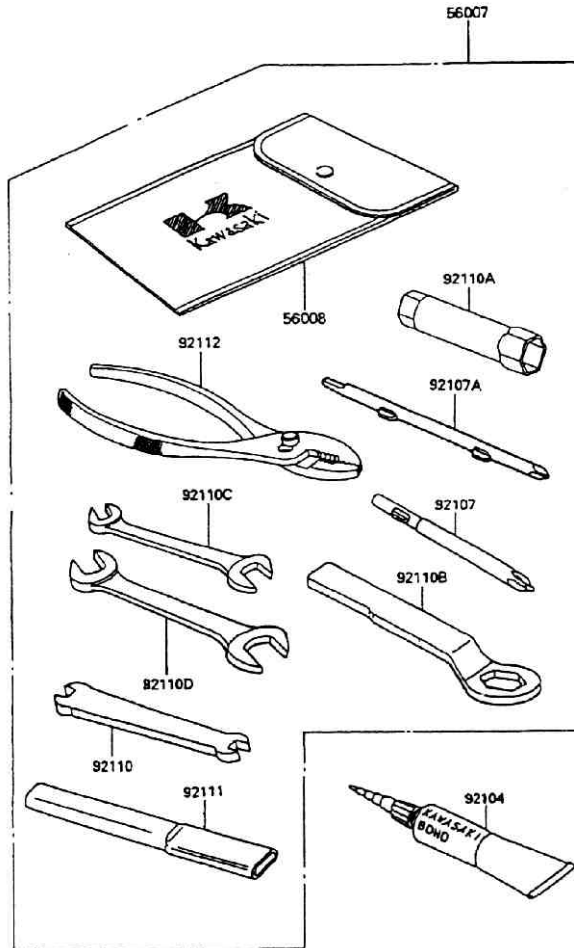
MAGIC 110



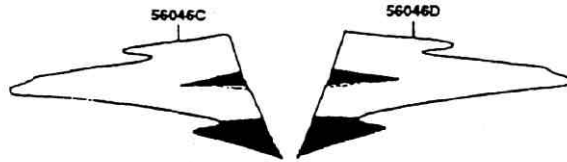
| Ref. No. | Part No.   | Description            | Quantity-A#0 |  |  |  |
|----------|------------|------------------------|--------------|--|--|--|
|          |            |                        | '99          |  |  |  |
| 26004    | 26004-1088 | FUSE-ASSY              | 1            |  |  |  |
| 26006    | 26006-1003 | FUSE, 15A, L=30        | 2            |  |  |  |
| 2601     | 2601-1436  | WIRE-LEAD, BATTERY(-)  | 1            |  |  |  |
| 2601A    | 2601-1501  | WIRE-LEAD, BATTERY(+)  | 1            |  |  |  |
| 2601B    | 2601-A01   | WIRE-LEAD, BATTERY     | 1            |  |  |  |
| 26012    | 26012-1267 | BATTERY, 12V3 AH       | 1            |  |  |  |
| 26030    | 26030-A016 | HARNES, MAIN           | 1            |  |  |  |
| 27002    | 27002-103  | RELAY-ASSY,TURN SIGNAL | 1            |  |  |  |
| 27003    | 27003-1394 | HORN                   | 1            |  |  |  |
| 92072    | 92072-1195 | BAND                   | 1            |  |  |  |
| 92072A   | 92072-1237 | BAND, L=250            | 1            |  |  |  |
| 92073    | 92073-019  | CAP,BATTERY            | 1            |  |  |  |
| 130      | 130B0610   | BOI-FLANGED, 6X10      | 1            |  |  |  |



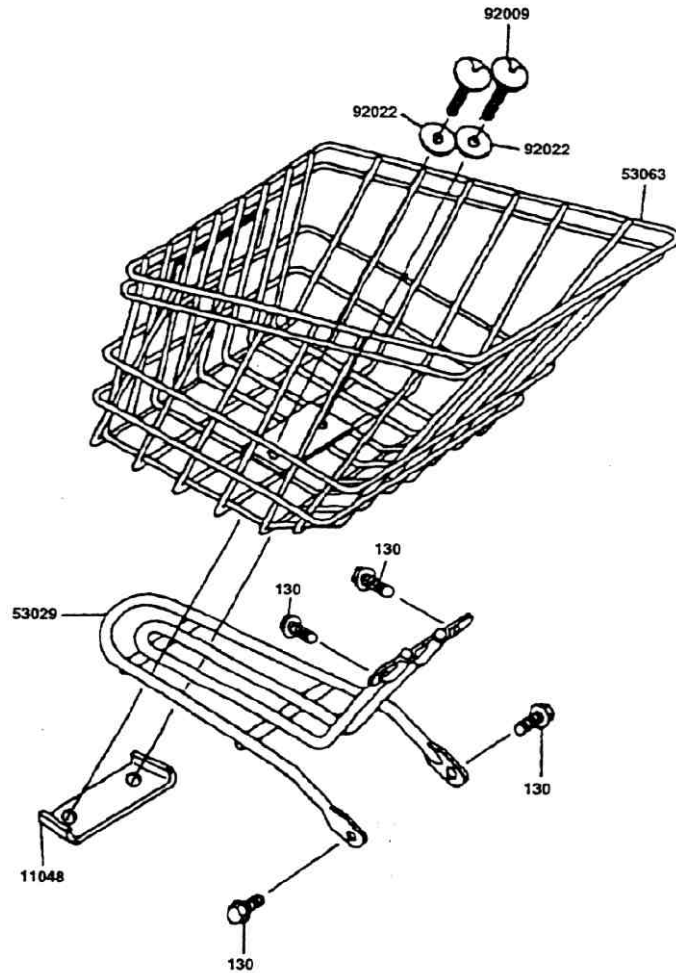
| Ref. No. | Part No.   | Description                | Quantity-A110 |  |  |  |
|----------|------------|----------------------------|---------------|--|--|--|
|          |            |                            | '99           |  |  |  |
| 11012    | 11012-1927 | CAPIGNITION SWITCH         | 1             |  |  |  |
| 11012A   | 11012-1962 | TAPA SWICHE                |               |  |  |  |
| 27005    | 27005-175  | SWITCH-ASSIGNITION         | 1             |  |  |  |
| 27010    | 27010-1298 | SWITCH, REAR BRAKE         | 1             |  |  |  |
| 27010A   | 27010-131  | SWITCH, OIL LEVER          | 1             |  |  |  |
| 2701     | 2701-01    | SPRING, BRAKE LIGHT SWITCH | 1             |  |  |  |
| 27016    | 27016-102  | LOCK-ASSSEA                | 1             |  |  |  |
| 28012    | 28012-1074 | REFLECTOR-REFLEX           | 1             |  |  |  |
| 32074    | 32074-162  | BRACKET LOCK, SEA          | 1             |  |  |  |
| 59071    | 59071-125  | JOINING                    | 1             |  |  |  |
| 92015    | 92015-193  | NUT FLANGED, 6MM           | 1             |  |  |  |
| 92022    | 92022-125  | WASHER, 6.5X20X1.6         | 1             |  |  |  |
| 130      | 130J0608   | BOLT-FLANGED, 6X8          | 4             |  |  |  |
| 130A     | 130D0614   | BOLT-FLANGED, 6X14         | 2             |  |  |  |



| Ref. No. | Part No.   | Description                   | Quantity-A#0 |  |  |  |
|----------|------------|-------------------------------|--------------|--|--|--|
|          |            |                               | '99          |  |  |  |
| 56007    | 56007-1394 | TOOL-KIT                      | 1            |  |  |  |
| 56008    | 56008-1007 | BAG, TOOL                     | 1            |  |  |  |
| 92107    | 92107-005  | TOOL-DRIVER, #3 PHILLIPS      | 1            |  |  |  |
| 92107A   | 92107-1051 | TOOL-DRIVER, #2 PHILLIPS&SLOT | 1            |  |  |  |
| 92110    | 92110-1044 | TOOL-WRENCH, SPOKE, 5.1X5.8   | 1            |  |  |  |
| 92110A   | 92110-113  | TOOL-WRENCH, BOX, 21MM        | 1            |  |  |  |
| 92110B   | 92110-152  | TOOL-WRENCH, OPEN END, 10X12  | 1            |  |  |  |
| 92110C   | 92110-153  | TOOL-WRENCH, OPEN END, 14X17  | 1            |  |  |  |
| 92111    | 92111-1051 | TOOL-BAR, BOX END WRENCH      | 1            |  |  |  |
| 92112    | 92112-1001 | TOOL-PLIERS                   | 1            |  |  |  |



| Ref. No. | Part No.   | Description                        | Quantity-A#0 |  |  |  |
|----------|------------|------------------------------------|--------------|--|--|--|
|          |            |                                    | '99          |  |  |  |
| 56014    | 56014-A037 | EMBLEM-KAWASAKI                    | 1            |  |  |  |
| 56018    | 56018-A277 | MARK-BASKET                        | 1            |  |  |  |
| 56018A   | 56018-A358 | M. MAGIC, COVER <del>SEAR</del>    | 1            |  |  |  |
| 56018B   | 56018-A359 | M. MAGIC, COVER <del>SEAR</del>    | 1            |  |  |  |
| 56046    | 56046-A985 | P. LEG SHIELD, RH                  | 1            |  |  |  |
| 56046A   | 56046-A986 | PATTERN-COVER <del>SEAR</del> , LH | 1            |  |  |  |
| 56046B   | 56046-A987 | PATTERN-COVER <del>SEAR</del> , RH | 1            |  |  |  |
| 56046C   | 56046-A988 | PATTERN-COVER SIDE, LH             | 1            |  |  |  |
| 56046D   | 56046-A989 | PATTERN-COVER SIDE, RH             | 1            |  |  |  |
| 56046E   | 56046-A990 | PATTERN-COVER SIDE, RH UNDER       | 1            |  |  |  |
| 56046G   | 56046-A992 | PATTERN-COVER <del>SEAR</del> , RH | 1            |  |  |  |
| 56046H   | 56046-A991 | PATTERN-COVER <del>SEAR</del> , LH | 1            |  |  |  |
| 56047    | 56046-A984 | P. LEG SHIELD, LH                  |              |  |  |  |



| Ref. No. | Part No.   | Description      | Quantity-A#0 |  |  |  |
|----------|------------|------------------|--------------|--|--|--|
|          |            |                  | '99          |  |  |  |
| 11048    | 11048-A014 | BRACKET          | 1            |  |  |  |
| 53029    | 53029-160  | CARRIER          | 1            |  |  |  |
| 53063    | 53063-A002 | BASKET           | 1            |  |  |  |
| 92009    | 92009-A019 | SCREW            | 2            |  |  |  |
| 92022    | 92022-143  | WASHER, 6.5X16X1 | 2            |  |  |  |
| 130      | 130H0616   | BOIT, 6X16       | 4            |  |  |  |

## MAGIC

## Numerical Parts Index

| Part N°    | Group N° | Part N°    | Group N° | Part N°    | Group N° | Part N°       | Group N° | Part N°    | Group N° | Part N°    | Group N° |
|------------|----------|------------|----------|------------|----------|---------------|----------|------------|----------|------------|----------|
| 11002-1289 | 1        | 11060-1694 | 11       | 130D0612   | 20       | 13242-A002    | 9        | 16013-005  | 12       | 220C0660   | 11       |
| 11004-1178 | 1        | 112G0520   | 6        | 130D0614   | 36       | 13260-1002    | 7        | 16014-1079 | 12       | 220D0610   | 30       |
| 11005-1780 | 1        | 112G0622   | 24       | 130D0614   | 39       | 13260-1045    | 7        | 16016-002  | 12       | 222C0530   | 11       |
| 11009-1074 | 12       | 12021-1076 | 10       | 130G0630   | 23       | 13260-1322    | 7        | 16017-1360 | 12       | 223B0416   | 12       |
| 11009-1250 | 12       | 12022-1062 | 10       | 130G0812   | 34       | 13270-1095    | 17       | 16021-1162 | 12       | 223B0620   | 14       |
| 11009-1656 | 28       | 120S0616   | 3        | 130G0820   | 19       | 13271-1113    | 30       | 16025-1181 | 12       | 23004-1391 | 35       |
| 11009-1722 | 11       | 13001-1422 | 4        | 130G0825   | 3        | 132E0616      | 18       | 16029-002  | 12       | 23005-A007 | 35       |
| 11009-1774 | 1        | 13002-1077 | 4        | 130H0616   | 42       | 132E0820      | 19       | 16030-1065 | 12       | 23008-1551 | 36       |
| 11009-1992 | 3        | 13008-1140 | 4        | 130J0608   | 39       | 132G0614      | 14       | 16031-1068 | 12       | 23008-1567 | 35       |
| 11011-1404 | 2        | 13024-1089 | 4        | 130J0610   | 17       | 14002-1677    | 10       | 16038-022  | 12       | 23008-A048 | 31       |
| 11012-1173 | 27       | 13025-1112 | 4        | 130J0612   | 17       | 14002-1724    | 10       | 16065-1295 | 10       | 23008-A053 | 37       |
| 11012-1389 | 12       | 13027-1176 | 4        | 130J0612   | 34       | 14014-1122    | 10       | 16082-1135 | 13       | 23020-018  | 35       |
| 11012-1786 | 34       | 13029-1222 | 4        | 130J0614   | 26       | 14014-1127    | 9        | 16115-1053 | 11       | 23025-A017 | 36       |
| 11012-1789 | 18       | 13031-1376 | 4        | 130S0620   | 9        | 14020-1100    | 6        | 16181-1066 | 12       | 23026-1185 | 36       |
| 11012-1841 | 2        | 13033-1009 | 4        | 130S0630   | 5        | 14026-A007    | 11       | 172G08120  | 10       | 23026-1185 | 36       |
| 11012-1861 | 16       | 13034-1082 | 4        | 13102-1132 | 6        | 14031-A011    | 11       | 172G0822   | 1        | 23026-A031 | 36       |
| 11012-1864 | 34       | 13035-1068 | 4        | 13102-1133 | 6        | 14032-A017    | 11       | 18090-1151 | 3        | 23026-A034 | 37       |
| 11012-1927 | 39       | 13037-1466 | 4        | 13127-1210 | 7        | 14069-003     | 10       | 18090-1443 | 3        | 23026-A035 | 37       |
| 11012-1962 | 39       | 13037-1472 | 4        | 13128-1123 | 7        | 14073-1493    | 2        | 183B0818   | 10       | 23026-A036 | 37       |
| 11012-1998 | 19       | 13044-5078 | 4        | 13129-1614 | 7        | 14073-1495    | 2        | 183H0820   | 26       | 23026-A037 | 37       |
| 11013-1159 | 2        | 13045-1053 | 29       | 13129-1619 | 7        | 14073-1620    | 2        | 187B0622   | 20       | 23037-1128 | 36       |
| 11013-1213 | 2        | 13059-1153 | 5        | 13129-1641 | 7        | 14079-1102    | 10       | 21002-1328 | 14       | 23040-1273 | 37       |
| 11036-1040 | 36       | 13061-1435 | 5        | 13129-1929 | 7        | 14090-1329    | 29       | 21003-1284 | 14       | 23040-1274 | 37       |
| 11048-1054 | 17       | 13063-002  | 5        | 13140-1118 | 8        | 14090-1711-NP | 34       | 21007-1303 | 14       | 23048-1153 | 36       |
| 11048-1055 | 17       | 13066-1070 | 5        | 13140-1119 | 8        | 14090-1813    | 20       | 21008-1052 | 26       | 23048-1154 | 36       |
| 11048-1080 | 30       | 13070-1035 | 5        | 13141-1147 | 8        | 14090-1866    | 34       | 21066-1086 | 14       | 23049-A006 | 37       |
| 11048-1844 | 17       | 13070-1068 | 12       | 13144-1145 | 7        | 14090-1867    | 34       | 21119-1442 | 15       | 23049-A007 | 37       |
| 11048-1898 | 17       | 13078-1057 | 5        | 13151-1070 | 9        | 14090-1982-NP | 30       | 21121-1229 | 15       | 233C0610   | 3        |
| 11048-1899 | 17       | 13086-1065 | 6        | 13157-004  | 9        | 14090-1983-NP | 30       | 21130-1062 | 15       | 235B0510   | 1        |
| 11048-1908 | 34       | 13087-1151 | 6        | 13161-1225 | 9        | 14090-A013    | 31       | 220B0412   | 31       | 235B0514   | 9        |
| 11048-1909 | 34       | 13088-1110 | 6        | 13168-A002 | 26       | 14090-A014    | 31       | 220B0530   | 26       | 235C0614   | 2        |
| 11048-A014 | 42       | 13088-1111 | 6        | 13183-1480 | 6        | 14090-A015    | 31       | 220B0550   | 26       | 236D0616   | 15       |
| 11049-1696 | 34       | 13089-1087 | 6        | 13183-1728 | 11       | 14090-A028    | 11       | 220B0612   | 13       | 25005-A034 | 31       |
| 11049-A004 | 35       | 13091-1710 | 8        | 13183-1979 | 2        | 15003-1107    | 12       | 220B0635   | 10       | 25031-A027 | 31       |
| 11050-1264 | 26       | 13091-1757 | 8        | 13194-1092 | 6        | 16002-004     | 12       | 220C0412   | 26       | 26004-1088 | 38       |
| 11050-1265 | 26       | 13091-1782 | 6        | 131G08105  | 17       | 16003-004     | 12       | 220C0508   | 34       | 26006-1003 | 38       |
| 11050-1331 | 26       | 13091-1787 | 6        | 131G0875   | 17       | 16004-1062    | 12       | 220C0610   | 26       | 26011-1436 | 38       |
| 11050-A028 | 10       | 13095-1283 | 6        | 13206-1058 | 5        | 16007-1044    | 12       | 220C0614   | 12       | 26011-1501 | 38       |
| 11060-1109 | 3        | 13095-1309 | 6        | 13236-1280 | 9        | 16008-011     | 12       | 220C0616   | 12       | 26011-A011 | 38       |
| 11060-1137 | 3        | 130B0610   | 38       | 13236-1281 | 9        | 16009-1641    | 12       | 220C0620   | 11       | 26012-1267 | 38       |
| 11060-1634 | 13       | 130B0818   | 19       | 13242-1297 | 9        | 16012-1058    | 12       | 220C0635   | 11       | 26030-A016 | 38       |



## MAGIC

## Numerical Parts Index

| Part N°.      | Group N° | Part N°.           | Group N° | Part N°.      | Group N° | Part N°.      | Group N° | Part N°.   | Group N° | Part N°.   | Group N° |
|---------------|----------|--------------------|----------|---------------|----------|---------------|----------|------------|----------|------------|----------|
| 27002-1103    | 38       | 35023-1328         | 20       | 41075-2217/18 | 22       | 46075-A005    | 26       | 550D2525   | 23       | 670B2016   | 2        |
| 27003-1394    | 38       | 35023-A016         | 20       | 41075-2717/18 | 22       | 46091-1346    | 26       | 550D3025   | 24       | 703A07310  | 2        |
| 27005-1175    | 39       | 36001-1555-NP      | 33       | 41075-3017/18 | 22       | 46091-1347    | 26       | 550D3030   | 21       | 92001-082  | 24       |
| 27010-1298    | 39       | 36001-A012-NP      | 33       | 41082-001     | 23       | 46092-1013    | 26       | 551A0312   | 4        | 92001-1091 | 28       |
| 27010-1311    | 39       | 36014-A005         | 33       | 41085-003     | 24       | 46092-A013    | 26       | 56001-1455 | 26       | 92001-1455 | 10       |
| 27011-011     | 39       | 36014-A006         | 33       | 41085-013     | 23       | 46092-A014    | 26       | 56001-1456 | 26       | 92001-1464 | 27       |
| 27012-1452    | 30       | 39021-1056         | 26       | 410B0400      | 31       | 461B0400      | 31       | 56007-1394 | 40       | 92001-1583 | 28       |
| 27016-1102    | 39       | 39111-1086         | 9        | 410B0600      | 26       | 480J1600      | 5        | 56008-1007 | 40       | 92001-1705 | 28       |
| 28012-1074    | 39       | 39130-1070         | 6        | 410B1200      | 24       | 480J1700      | 7        | 56017-A037 | 41       | 92001-1862 | 20       |
| 311J0600      | 9        | 39156-1378         | 17       | 410F1200      | 18       | 480J1800      | 9        | 56018-A277 | 41       | 92001-1862 | 28       |
| 314B0800      | 25       | 41023-1002         | 22       | 411B0800      | 3        | 482L5000      | 5        | 56018-A358 | 41       | 92001-1926 | 29       |
| 314B1200      | 18       | 41025-003          | 22       | 411B0800      | 28       | 49006-1084    | 12       | 56018-A359 | 41       | 92002-1105 | 10       |
| 315B1000      | 24       | 41025-006          | 22       | 411B1000      | 23       | 49006-1203    | 12       | 56018-A435 | 41       | 92002-1111 | 26       |
| 315G1200      | 19       | 41025-1279         | 22       | 42010-005     | 24       | 49006-1223    | 2        | 56018-A436 | 41       | 92002-1473 | 13       |
| 317B0800      | 28       | 41025-1385         | 22       | 42014-016     | 24       | 49035-1059    | 1        | 56046-A984 | 41       | 92002-1570 | 10       |
| 32065-1275    | 20       | 41029-1209         | 22       | 42016-1168    | 24       | 49047-1096    | 8        | 56046-A985 | 41       | 92002-1616 | 30       |
| 32074-1162    | 39       | 41030-1124         | 22       | 42034-1144    | 24       | 49099-1407    | 3        | 56046-A986 | 41       | 92002-1829 | 18       |
| 32098-1117    | 17       | 41034-1246         | 23       | 42036-1292    | 24       | 49106-1168    | 3        | 56046-A987 | 41       | 92009-1014 | 10       |
| 32099-A001    | 26       | 41035-1481         | 23       | 42041-098     | 24       | 51001-A013    | 28       | 56046-A988 | 41       | 92009-1018 | 26       |
| 320B1000      | 23       | 41036-1153         | 6        | 42041-1412    | 24       | 51023-1212    | 28       | 56046-A989 | 41       | 92009-1104 | 5        |
| 32109-A012    | 17       | 41038-1269         | 23       | 42041-A023    | 24       | 51048-1120    | 28       | 56046-A990 | 41       | 92009-1111 | 34       |
| 32160-A027    | 16       | 41038-1275         | 24       | 43001-1373    | 25       | 51049-1096    | 29       | 56046-A991 | 41       | 92009-1158 | 30       |
| 33001-A018    | 18       | 41039-002          | 23       | 43007-1160    | 25       | 510A3200      | 4        | 56046-A992 | 41       | 92009-1182 | 34       |
| 33032-1166    | 18       | 41043-1098         | 23       | 43010-A003    | 25       | 52001-1088    | 29       | 59051-1267 | 5        | 92009-1256 | 30       |
| 33040-1057    | 18       | 41048-017          | 23       | 43058-1082    | 27       | 52005-1055    | 11       | 59071-1125 | 39       | 92009-1256 | 34       |
| 33040-1120    | 18       | 41048-017          | 24       | 44005-1348    | 27       | 52005-1100    | 28       | 59071-1127 | 2        | 92009-1287 | 20       |
| 34003-A018    | 19       | 41050-012          | 24       | 44006-1346    | 27       | 53001-1786    | 30       | 59441-1133 | 26       | 92009-1287 | 33       |
| 34003-A019    | 19       | 41050-018          | 23       | 44013-1406    | 27       | 53009-A006    | 30       | 59441-A700 | 26       | 92009-1287 | 34       |
| 34003-A020    | 19       | 41053-005          | 23       | 44022-1302    | 27       | 53029-1160    | 42       | 59441-A701 | 26       | 92009-1288 | 20       |
| 34003-A021    | 19       | 41053-1036         | 24       | 44026-1567    | 27       | 53044-A009    | 34       | 59441-A702 | 26       | 92009-1288 | 30       |
| 34011-A006    | 21       | 41060-014          | 23       | 44026-1568    | 27       | 53063-A002    | 42       | 600A0800   | 5        | 92009-1288 | 33       |
| 34019-1054    | 21       | 41060-1026         | 23       | 44037-A018    | 27       | 54001-1204    | 32       | 600A0800   | 16       | 92009-1288 | 34       |
| 34024-A010    | 21       | 41062-005          | 23       | 44045-051     | 27       | 54005-1179    | 32       | 601A6201   | 10       | 92009-1355 | 36       |
| 34025-005     | 21       | 41063-001          | 23       | 44070-1362    | 27       | 54012-A006    | 32       | 601A6203   | 10       | 92009-1403 | 3        |
| 34028-1349    | 19       | 41064-010          | 23       | 44070-1363    | 27       | 54017-A003    | 32       | 601A6203U  | 10       | 92009-1503 | 26       |
| 34028-1350    | 19       | 41068-1372         | 24       | 45014-1559    | 18       | 55020-A026    | 18       | 601B6004   | 24       | 92009-1522 | 13       |
| 35004-1354-NP | 20       | 41068-1373         | 23       | 45016-008     | 18       | 55028-1307-NP | 34       | 601B6200   | 23       | 92009-1652 | 33       |
| 35004-1355    | 20       | 41070-2217-NR53/18 | 22       | 45017-012     | 18       | 55028-1308-NP | 34       | 601B6300Z  | 23       | 92009-1661 | 17       |
| 35004-A702    | 20       | 41070-2517-NR53/18 | 22       | 45017-015     | 18       | 550D2015      | 19       | 601B6301   | 24       | 92009-1662 | 20       |
| 35004-A703    | 20       | 41070-2717-NR53/18 | 22       | 46001-A002    | 26       | 550D2015      | 25       | 610A0406   | 8        | 92009-1664 | 2        |
| 35004-A704    | 20       | 41072-007          | 23       | 46019-A005    | 26       | 550D2018      | 25       | 670B1508   | 6        | 92009-1694 | 15       |

## MAGIC

## Numerical Parts Index

| Part N°    | Group N° | Part N°    | Group N° | Part N°    | Group N° | Part N°    | Group N° | Part N°    | Group N° | Part N°    | Group N° |
|------------|----------|------------|----------|------------|----------|------------|----------|------------|----------|------------|----------|
| 92009-1774 | 20       | 92022-1698 | 12       | 92048-008  | 16       | 92066-1370 | 10       | 92111-1051 | 40       | 92160-1527 | 26       |
| 92009-1792 | 35       | 92022-1705 | 24       | 92048-1074 | 6        | 92066-1376 | 2        | 92112-1001 | 40       | 92160-1660 | 19       |
| 92009-A019 | 42       | 92022-183  | 28       | 92048-1096 | 27       | 92066-1433 | 25       | 92143-1016 | 34       | 92160-1674 | 36       |
| 92009-A029 | 35       | 92022-1938 | 12       | 92049-002  | 10       | 92069-057  | 36       | 92143-1193 | 7        | 92160-1675 | 36       |
| 92009-A030 | 37       | 92022-315  | 5        | 92049-1048 | 10       | 92069-1019 | 35       | 92143-1298 | 9        | 92160-1678 | 34       |
| 92015-1151 | 1        | 92026-1063 | 4        | 92049-1398 | 10       | 92069-1088 | 36       | 92143-1521 | 24       | 92160-1679 | 34       |
| 92015-1178 | 9        | 92026-1091 | 7        | 92049-1410 | 10       | 92069-1088 | 37       | 92143-1533 | 24       | 92160-A025 | 34       |
| 92015-1180 | 19       | 92026-1411 | 5        | 92049-1422 | 10       | 92069-A002 | 31       | 92143-1661 | 6        | 92160-A036 | 30       |
| 92015-1183 | 3        | 92026-1415 | 6        | 92049-1432 | 27       | 92069-A003 | 31       | 92143-1663 | 6        | 92170-1477 | 2        |
| 92015-1183 | 6        | 92027-251  | 30       | 92050-002  | 23       | 92070-1202 | 15       | 92143-1665 | 4        | 92170-1508 | 10       |
| 92015-1188 | 21       | 92028-1526 | 10       | 92050-009  | 24       | 92070-1263 | 15       | 92143-1687 | 23       | 92170-1573 | 11       |
| 92015-1193 | 36       | 92028-1652 | 9        | 92050-063  | 23       | 92071-056  | 26       | 92143-1696 | 6        | 92170-1753 | 33       |
| 92015-1193 | 39       | 92033-1060 | 7        | 92051-003  | 11       | 92072-039  | 17       | 92143-A012 | 18       | 92170-2043 | 2        |
| 92015-1233 | 17       | 92033-1240 | 6        | 92051-005  | 10       | 92072-045  | 17       | 92144-1120 | 30       | 92190-1225 | 13       |
| 92015-1233 | 30       | 92036-007  | 4        | 92055-004  | 23       | 92072-1195 | 38       | 92144-1245 | 9        | 92190-1392 | 12       |
| 92015-1259 | 31       | 92037-1173 | 15       | 92055-004  | 24       | 92072-1237 | 38       | 92144-1271 | 12       | 92190-1393 | 13       |
| 92015-1347 | 6        | 92037-1272 | 12       | 92055-012  | 11       | 92073-019  | 38       | 92144-1339 | 9        | 92190-1504 | 13       |
| 92015-1364 | 18       | 92037-1459 | 32       | 92055-022  | 4        | 92074-004  | 33       | 92144-1340 | 9        | 92190-1617 | 10       |
| 92015-1406 | 17       | 92037-1568 | 2        | 92055-044  | 12       | 92075-1002 | 3        | 92144-1385 | 21       | 92190-A006 | 13       |
| 92015-1406 | 18       | 92037-1601 | 10       | 92055-052  | 6        | 92075-1067 | 26       | 92144-1388 | 6        | 92200-1087 | 30       |
| 92015-1428 | 25       | 92037-1601 | 13       | 92055-055  | 13       | 92075-1268 | 1        | 92144-1556 | 6        | 92200-1113 | 25       |
| 92015-1712 | 4        | 92037-1678 | 12       | 92055-091  | 9        | 92075-1368 | 1        | 92144-1964 | 35       | 92200-1114 | 9        |
| 92015-1752 | 30       | 92037-187  | 13       | 92055-1078 | 12       | 92075-1634 | 34       | 92144-1967 | 9        | 92200-1120 | 19       |
| 92015-1870 | 24       | 92043-1050 | 5        | 92055-1104 | 27       | 92075-1673 | 1        | 92150-1174 | 27       | 92200-1150 | 12       |
| 92015-1900 | 16       | 92043-1148 | 12       | 92055-1235 | 7        | 92075-1808 | 19       | 92150-1180 | 10       | 92200-1165 | 26       |
| 92015-1901 | 16       | 92043-1263 | 10       | 92055-1417 | 12       | 92081-020  | 5        | 92150-1406 | 11       | 92200-1215 | 26       |
| 92015-1908 | 4        | 92043-1264 | 1        | 92057-1344 | 24       | 92081-1153 | 12       | 92150-1433 | 8        | 92200-1216 | 26       |
| 92019-014  | 26       | 92043-1385 | 9        | 92059-1395 | 12       | 92081-122  | 5        | 92150-1450 | 9        | 92200-A001 | 26       |
| 92022-1143 | 20       | 92043-1464 | 19       | 92063-068  | 12       | 92081-1276 | 5        | 92150-1520 | 30       | 92210-1080 | 26       |
| 92022-1143 | 30       | 92043-1542 | 25       | 92063-094  | 12       | 92081-1766 | 23       | 92150-1544 | 25       | 95059-1396 | 12       |
| 92022-1143 | 33       | 92045-1123 | 6        | 92063-1029 | 12       | 92081-1766 | 24       | 92150-1545 | 21       |            |          |
| 92022-1143 | 34       | 92045-1171 | 10       | 92063-1322 | 12       | 92081-1947 | 25       | 92150-1719 | 26       |            |          |
| 92022-1143 | 42       | 92045-1294 | 11       | 92063-1323 | 12       | 92092-005  | 18       | 92150-1873 | 25       |            |          |
| 92022-1187 | 12       | 92045-1302 | 10       | 92064-020  | 12       | 92093-1324 | 2        | 92150-1982 | 13       |            |          |
| 92022-125  | 36       | 92045-1308 | 24       | 92064-032  | 12       | 92093-1377 | 27       | 92151-1069 | 6        |            |          |
| 92022-125  | 39       | 92046-1034 | 10       | 92064-040  | 12       | 92107-005  | 40       | 92160-1031 | 1        |            |          |
| 92022-1253 | 27       | 92046-1223 | 6        | 92064-1043 | 12       | 92107-1051 | 40       | 92160-1292 | 17       |            |          |
| 92022-1521 | 33       | 92046-1224 | 6        | 92065-058  | 10       | 92110-1044 | 40       | 92160-1294 | 30       |            |          |
| 92022-1521 | 34       | 92046-1225 | 6        | 92066-1064 | 12       | 92110-1113 | 40       | 92160-1304 | 35       |            |          |
| 92022-1561 | 26       | 92047-011  | 16       | 92066-1301 | 17       | 92110-1152 | 40       | 92160-1312 | 11       |            |          |
| 92022-1659 | 2        | 92048-006  | 16       | 92066-1364 | 17       | 92110-1153 | 40       | 92160-1313 | 25       |            |          |