



Catálogo de Partes

PREFACIO

Es nuestro placer presentarles a ustedes el Catálogo de Partes.

Este Catálogo ha sido especialmente diseñado para ayudarle en la selección de las partes correctas con el fin de mantener el vehículo en las mejores condiciones.

Los repuestos originales están sujetos a un exigente estándar de control de calidad, por lo tanto es necesario que usted sólo use repuestos originales.

En nuestro constante esfuerzo para mejorar la eficiencia y desempeño de su vehículo, las especificaciones, diagramas y número de partes pueden cambiar sin previo aviso. Consecuentemente las descripciones de los repuestos en este Catálogo pueden no ser las finales y definitivas.

Las alteraciones y modificaciones que ocurren en la impresión de este Catálogo, serán informadas a nuestra red, a través de circulares de Servicio. Es requisito que usted actualice su Catálogo y haga las correcciones necesarias, una vez reciba dichas circulares. Lo anterior le asegurará un rápido y adecuado despacho de sus partes, pues las órdenes están siendo diligenciadas con las referencias más actualizadas.

En caso de necesitar asistencia técnica, comunicarse con el Distribuidor Autorizado o llamar al Departamento de Servicios Auteco-Kawasaki.

Todos los derechos reservados, No se permite la reproducción total o parcial de éste libro, en ninguna forma o por ningún medio, ya sea electrónico o mecánico, incluido fotocopiado, sin permiso escrito de Autotecnica Colombiana S.A. "AUTECO S.A."

This catalog covers:
 '99 KMX125-A12

GRID NO.
A-3

This grid covers:
Parts List Information

PARTS LIST INTRODUCTION

This parts catalog lists parts and sub-assemblies provided as spare parts. When it becomes necessary to replace parts always use KAWASAKI GENUINE PARTS. Strict inspection assures quality and performance of KAWASAKI GENUINE PARTS.

1. HOW TO ORDER PARTS

When ordering parts be sure to use the catalog for the correct model and year of the product. Include the following items exactly as listed in this catalog on your parts order.

Part Number
 Part Name
 Color Code

Specify the color using both color code (which is part of the part number) and name when ordering painted parts.

Example: 51001-5074-H8 TANK-COMP-FUELEBONY

Parts not shown disassembled in the illustrations of this parts catalog are not sold separately; only the complete units or next higher assemblies illustrated, are supplied, as spare parts.

2. EXPLANATION OF PARTS CATALOG FORMAT

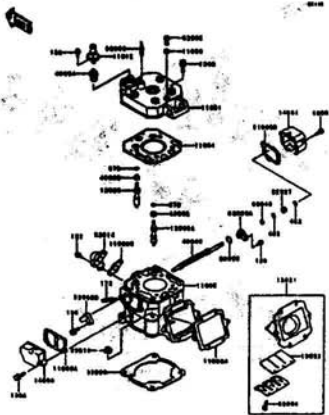
This catalog covers: '99 - '01 KL850-B1/B2/B3 Engine

GRID NO. **C-12** This grid covers: Ignition Coil

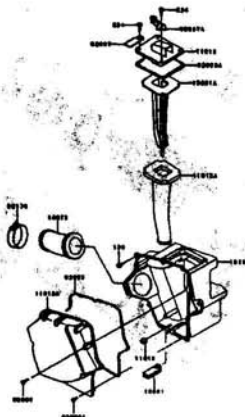
Part No.	Description	Spec Code	QTY
120H	120H-1271H HOLDER,IGNITER	1 1 1	1
2119	2119-022H BEATER	1 1 1	1
2112D	2112D-112D COIL-IGNITION	1 1 1	1
2113D	2113D-102D CAP-SPARK PLUG	1 1 1	1
362C	362C-102D COIL-PLUGSNG	1 1 1	1
8207B	8207B-108S PLUG-SPARK,DPM2EA-RINGG	1 1	1
8207A	8207A-108M PLUG-SPARK,DPM2EA-RINGG	1 1	1
8207D	8207D-1 PLUG-SPARK,225PR-LRINGG	1 1	1
8207C	8207C-1 PLUG-SPARK,225PR-LRINGG	1 1	1
8207E	8207E-1 PLUG-SPARK,225PR-LRINGG	1 1	1
8207F	8207F-1 PLUG-SPARK,225PR-LRINGG	1 1	1
8207G	8207G-1 PLUG-SPARK,225PR-LRINGG	1 1	1
8207H	8207H-1 PLUG-SPARK,225PR-LRINGG	1 1	1
8207I	8207I-1 PLUG-SPARK,225PR-LRINGG	1 1	1
8207J	8207J-1 PLUG-SPARK,225PR-LRINGG	1 1	1
8207K	8207K-1 PLUG-SPARK,225PR-LRINGG	1 1	1
8207L	8207L-1 PLUG-SPARK,225PR-LRINGG	1 1	1
8207M	8207M-1 PLUG-SPARK,225PR-LRINGG	1 1	1
8207N	8207N-1 PLUG-SPARK,225PR-LRINGG	1 1	1
8207O	8207O-1 PLUG-SPARK,225PR-LRINGG	1 1	1
8207P	8207P-1 PLUG-SPARK,225PR-LRINGG	1 1	1
8207Q	8207Q-1 PLUG-SPARK,225PR-LRINGG	1 1	1
8207R	8207R-1 PLUG-SPARK,225PR-LRINGG	1 1	1
8207S	8207S-1 PLUG-SPARK,225PR-LRINGG	1 1	1
8207T	8207T-1 PLUG-SPARK,225PR-LRINGG	1 1	1
8207U	8207U-1 PLUG-SPARK,225PR-LRINGG	1 1	1
8207V	8207V-1 PLUG-SPARK,225PR-LRINGG	1 1	1
8207W	8207W-1 PLUG-SPARK,225PR-LRINGG	1 1	1
8207X	8207X-1 PLUG-SPARK,225PR-LRINGG	1 1	1
8207Y	8207Y-1 PLUG-SPARK,225PR-LRINGG	1 1	1
8207Z	8207Z-1 PLUG-SPARK,225PR-LRINGG	1 1	1
8207AA	8207AA-1 PLUG-SPARK,225PR-LRINGG	1 1	1
8207AB	8207AB-1 PLUG-SPARK,225PR-LRINGG	1 1	1
8207AC	8207AC-1 PLUG-SPARK,225PR-LRINGG	1 1	1
8207AD	8207AD-1 PLUG-SPARK,225PR-LRINGG	1 1	1
8207AE	8207AE-1 PLUG-SPARK,225PR-LRINGG	1 1	1
8207AF	8207AF-1 PLUG-SPARK,225PR-LRINGG	1 1	1
8207AG	8207AG-1 PLUG-SPARK,225PR-LRINGG	1 1	1
8207AH	8207AH-1 PLUG-SPARK,225PR-LRINGG	1 1	1
8207AI	8207AI-1 PLUG-SPARK,225PR-LRINGG	1 1	1
8207AJ	8207AJ-1 PLUG-SPARK,225PR-LRINGG	1 1	1
8207AK	8207AK-1 PLUG-SPARK,225PR-LRINGG	1 1	1
8207AL	8207AL-1 PLUG-SPARK,225PR-LRINGG	1 1	1
8207AM	8207AM-1 PLUG-SPARK,225PR-LRINGG	1 1	1
8207AN	8207AN-1 PLUG-SPARK,225PR-LRINGG	1 1	1
8207AO	8207AO-1 PLUG-SPARK,225PR-LRINGG	1 1	1
8207AP	8207AP-1 PLUG-SPARK,225PR-LRINGG	1 1	1
8207AQ	8207AQ-1 PLUG-SPARK,225PR-LRINGG	1 1	1
8207AR	8207AR-1 PLUG-SPARK,225PR-LRINGG	1 1	1
8207AS	8207AS-1 PLUG-SPARK,225PR-LRINGG	1 1	1
8207AT	8207AT-1 PLUG-SPARK,225PR-LRINGG	1 1	1
8207AU	8207AU-1 PLUG-SPARK,225PR-LRINGG	1 1	1
8207AV	8207AV-1 PLUG-SPARK,225PR-LRINGG	1 1	1
8207AW	8207AW-1 PLUG-SPARK,225PR-LRINGG	1 1	1
8207AX	8207AX-1 PLUG-SPARK,225PR-LRINGG	1 1	1
8207AY	8207AY-1 PLUG-SPARK,225PR-LRINGG	1 1	1
8207AZ	8207AZ-1 PLUG-SPARK,225PR-LRINGG	1 1	1
8207BA	8207BA-1 PLUG-SPARK,225PR-LRINGG	1 1	1
8207BB	8207BB-1 PLUG-SPARK,225PR-LRINGG	1 1	1
8207BC	8207BC-1 PLUG-SPARK,225PR-LRINGG	1 1	1
8207BD	8207BD-1 PLUG-SPARK,225PR-LRINGG	1 1	1
8207BE	8207BE-1 PLUG-SPARK,225PR-LRINGG	1 1	1
8207BF	8207BF-1 PLUG-SPARK,225PR-LRINGG	1 1	1
8207BG	8207BG-1 PLUG-SPARK,225PR-LRINGG	1 1	1
8207BH	8207BH-1 PLUG-SPARK,225PR-LRINGG	1 1	1
8207BI	8207BI-1 PLUG-SPARK,225PR-LRINGG	1 1	1
8207BJ	8207BJ-1 PLUG-SPARK,225PR-LRINGG	1 1	1
8207BK	8207BK-1 PLUG-SPARK,225PR-LRINGG	1 1	1
8207BL	8207BL-1 PLUG-SPARK,225PR-LRINGG	1 1	1
8207BM	8207BM-1 PLUG-SPARK,225PR-LRINGG	1 1	1
8207BN	8207BN-1 PLUG-SPARK,225PR-LRINGG	1 1	1
8207BO	8207BO-1 PLUG-SPARK,225PR-LRINGG	1 1	1
8207BP	8207BP-1 PLUG-SPARK,225PR-LRINGG	1 1	1
8207BQ	8207BQ-1 PLUG-SPARK,225PR-LRINGG	1 1	1
8207BR	8207BR-1 PLUG-SPARK,225PR-LRINGG	1 1	1
8207BS	8207BS-1 PLUG-SPARK,225PR-LRINGG	1 1	1
8207BT	8207BT-1 PLUG-SPARK,225PR-LRINGG	1 1	1
8207BU	8207BU-1 PLUG-SPARK,225PR-LRINGG	1 1	1
8207BV	8207BV-1 PLUG-SPARK,225PR-LRINGG	1 1	1
8207BW	8207BW-1 PLUG-SPARK,225PR-LRINGG	1 1	1
8207BX	8207BX-1 PLUG-SPARK,225PR-LRINGG	1 1	1
8207BY	8207BY-1 PLUG-SPARK,225PR-LRINGG	1 1	1
8207BZ	8207BZ-1 PLUG-SPARK,225PR-LRINGG	1 1	1
8207CA	8207CA-1 PLUG-SPARK,225PR-LRINGG	1 1	1
8207CB	8207CB-1 PLUG-SPARK,225PR-LRINGG	1 1	1
8207CC	8207CC-1 PLUG-SPARK,225PR-LRINGG	1 1	1
8207CD	8207CD-1 PLUG-SPARK,225PR-LRINGG	1 1	1
8207CE	8207CE-1 PLUG-SPARK,225PR-LRINGG	1 1	1
8207CF	8207CF-1 PLUG-SPARK,225PR-LRINGG	1 1	1
8207CG	8207CG-1 PLUG-SPARK,225PR-LRINGG	1 1	1
8207CH	8207CH-1 PLUG-SPARK,225PR-LRINGG	1 1	1
8207CI	8207CI-1 PLUG-SPARK,225PR-LRINGG	1 1	1
8207CJ	8207CJ-1 PLUG-SPARK,225PR-LRINGG	1 1	1
8207CK	8207CK-1 PLUG-SPARK,225PR-LRINGG	1 1	1
8207CL	8207CL-1 PLUG-SPARK,225PR-LRINGG	1 1	1
8207CM	8207CM-1 PLUG-SPARK,225PR-LRINGG	1 1	1
8207CN	8207CN-1 PLUG-SPARK,225PR-LRINGG	1 1	1
8207CO	8207CO-1 PLUG-SPARK,225PR-LRINGG	1 1	1
8207CP	8207CP-1 PLUG-SPARK,225PR-LRINGG	1 1	1
8207CQ	8207CQ-1 PLUG-SPARK,225PR-LRINGG	1 1	1
8207CR	8207CR-1 PLUG-SPARK,225PR-LRINGG	1 1	1
8207CS	8207CS-1 PLUG-SPARK,225PR-LRINGG	1 1	1
8207CT	8207CT-1 PLUG-SPARK,225PR-LRINGG	1 1	1
8207CU	8207CU-1 PLUG-SPARK,225PR-LRINGG	1 1	1
8207CV	8207CV-1 PLUG-SPARK,225PR-LRINGG	1 1	1
8207CW	8207CW-1 PLUG-SPARK,225PR-LRINGG	1 1	1
8207CX	8207CX-1 PLUG-SPARK,225PR-LRINGG	1 1	1
8207CY	8207CY-1 PLUG-SPARK,225PR-LRINGG	1 1	1
8207CZ	8207CZ-1 PLUG-SPARK,225PR-LRINGG	1 1	1
8207DA	8207DA-1 PLUG-SPARK,225PR-LRINGG	1 1	1
8207DB	8207DB-1 PLUG-SPARK,225PR-LRINGG	1 1	1
8207DC	8207DC-1 PLUG-SPARK,225PR-LRINGG	1 1	1
8207DD	8207DD-1 PLUG-SPARK,225PR-LRINGG	1 1	1
8207DE	8207DE-1 PLUG-SPARK,225PR-LRINGG	1 1	1
8207DF	8207DF-1 PLUG-SPARK,225PR-LRINGG	1 1	1
8207DG	8207DG-1 PLUG-SPARK,225PR-LRINGG	1 1	1
8207DH	8207DH-1 PLUG-SPARK,225PR-LRINGG	1 1	1
8207DI	8207DI-1 PLUG-SPARK,225PR-LRINGG	1 1	1
8207DJ	8207DJ-1 PLUG-SPARK,225PR-LRINGG	1 1	1
8207DK	8207DK-1 PLUG-SPARK,225PR-LRINGG	1 1	1
8207DL	8207DL-1 PLUG-SPARK,225PR-LRINGG	1 1	1
8207DM	8207DM-1 PLUG-SPARK,225PR-LRINGG	1 1	1
8207DN	8207DN-1 PLUG-SPARK,225PR-LRINGG	1 1	1
8207DO	8207DO-1 PLUG-SPARK,225PR-LRINGG	1 1	1
8207DP	8207DP-1 PLUG-SPARK,225PR-LRINGG	1 1	1
8207DQ	8207DQ-1 PLUG-SPARK,225PR-LRINGG	1 1	1
8207DR	8207DR-1 PLUG-SPARK,225PR-LRINGG	1 1	1
8207DS	8207DS-1 PLUG-SPARK,225PR-LRINGG	1 1	1
8207DT	8207DT-1 PLUG-SPARK,225PR-LRINGG	1 1	1
8207DU	8207DU-1 PLUG-SPARK,225PR-LRINGG	1 1	1
8207DV	8207DV-1 PLUG-SPARK,225PR-LRINGG	1 1	1
8207DW	8207DW-1 PLUG-SPARK,225PR-LRINGG	1 1	1
8207DX	8207DX-1 PLUG-SPARK,225PR-LRINGG	1 1	1
8207DY	8207DY-1 PLUG-SPARK,225PR-LRINGG	1 1	1
8207DZ	8207DZ-1 PLUG-SPARK,225PR-LRINGG	1 1	1
8207EA	8207EA-1 PLUG-SPARK,225PR-LRINGG	1 1	1
8207EB	8207EB-1 PLUG-SPARK,225PR-LRINGG	1 1	1
8207EC	8207EC-1 PLUG-SPARK,225PR-LRINGG	1 1	1
8207ED	8207ED-1 PLUG-SPARK,225PR-LRINGG	1 1	1
8207EE	8207EE-1 PLUG-SPARK,225PR-LRINGG	1 1	1
8207EF	8207EF-1 PLUG-SPARK,225PR-LRINGG	1 1	1
8207EG	8207EG-1 PLUG-SPARK,225PR-LRINGG	1 1	1
8207EH	8207EH-1 PLUG-SPARK,225PR-LRINGG	1 1	1
8207EI	8207EI-1 PLUG-SPARK,225PR-LRINGG	1 1	1
8207EJ	8207EJ-1 PLUG-SPARK,225PR-LRINGG	1 1	1
8207EK	8207EK-1 PLUG-SPARK,225PR-LRINGG	1 1	1
8207EL	8207EL-1 PLUG-SPARK,225PR-LRINGG	1 1	1
8207EM	8207EM-1 PLUG-SPARK,225PR-LRINGG	1 1	1
8207EN	8207EN-1 PLUG-SPARK,225PR-LRINGG	1 1	1
8207EO	8207EO-1 PLUG-SPARK,225PR-LRINGG	1 1	1
8207EP	8207EP-1 PLUG-SPARK,225PR-LRINGG	1 1	1
8207EQ	8207EQ-1 PLUG-SPARK,225PR-LRINGG	1 1	1
8207ER	8207ER-1 PLUG-SPARK,225PR-LRINGG	1 1	1
8207ES	8207ES-1 PLUG-SPARK,225PR-LRINGG	1 1	1
8207ET	8207ET-1 PLUG-SPARK,225PR-LRINGG	1 1	1
8207EU	8207EU-1 PLUG-SPARK,225PR-LRINGG	1 1	1
8207EV	8207EV-1 PLUG-SPARK,225PR-LRINGG	1 1	1
8207EW	8207EW-1 PLUG-SPARK,225PR-LRINGG	1 1	1
8207EX	8207EX-1 PLUG-SPARK,225PR-LRINGG	1 1	1
8207EY	8207EY-1 PLUG-SPARK,225PR-LRINGG	1 1	1
8207EZ	8207EZ-1 PLUG-SPARK,225PR-LRINGG	1 1	1
8207FA	8207FA-1 PLUG-SPARK,225PR-LRINGG	1 1	1
8207FB	8207FB-1 PLUG-SPARK,225PR-LRINGG	1 1	1
8207FC	8207FC-1 PLUG-SPARK,225PR-LRINGG	1 1	1
8207FD	8207FD-1 PLUG-SPARK,225PR-LRINGG	1 1	1
8207FE	8207FE-1 PLUG-SPARK,225PR-LRINGG	1 1	1
8207FF	8207FF-1 PLUG-SPARK,225PR-LRINGG	1 1	1
8207FG	8207FG-1 PLUG-SPARK,225PR-LRINGG	1 1	1
8207FH	8207FH-1 PLUG-SPARK,225PR-LRINGG	1 1	1
8207FI	8207FI-1 PLUG-SPARK,225PR-LRINGG	1 1	1
8207FJ	8207FJ-1 PLUG-SPARK,225PR-LRINGG	1 1	1
8207FK	8207FK-1 PLUG-SPARK,225PR-LRINGG	1 1	1
8207FL	8207FL-1 PLUG-SPARK,225PR-LRINGG	1 1	1
8207FM	8207FM-1 PLUG-SPARK,225PR-LRINGG	1 1	1
8207FN	8207FN-1 PLUG-SPARK,225PR-LRINGG	1 1	1
8207FO	8207FO-1 PLUG-SPARK,225PR-LRINGG	1 1	1
8207FP	8207FP-1 PLUG-SPARK,225PR-LRINGG	1 1	1
8207FQ	8207FQ-1 PLUG-SPARK,225PR-LRINGG	1 1	1
8207FR	8207FR-1 PLUG-SPARK,225PR-LRINGG	1 1	1
8207FS	8207FS-1 PLUG-SPARK,225PR-LRINGG	1 1	1
8207FT	8207FT-1 PLUG-SPARK,225PR-LRINGG	1 1	1
8207FU	8207FU-1 PLUG-SPARK,225PR-LRINGG	1 1	1
8207FV	8207FV-1 PLUG-SPARK,225PR-LRINGG	1 1	1
8207FW	8207FW-1 PLUG-SPARK,225PR-LRINGG	1 1	1
8207FX	8207FX-1 PLUG-SPARK,225PR-LRINGG	1 1	1
8207FY	8207FY-1 PLUG-SPARK,225PR-LRINGG	1 1	1
8207FZ	8207FZ-1 PLUG-SPARK,225PR-LRINGG	1 1	1
8207GA	8207GA-1 PLUG-SPARK,225PR-LRINGG	1 1	1
8207GB	8207GB-1 PLUG-SPARK,225PR-LRINGG	1 1	1
8207GC	8207GC-1 PLUG-SPARK,225PR-LRINGG	1 1	1
8207GD	8207GD-1 PLUG-SPARK,225PR-LRINGG	1 1	1
8207GE	8207GE-1 PLUG-SPARK,225PR-LRINGG	1 1	1

This catalog covers:
'99 KMX125-A12 Engine

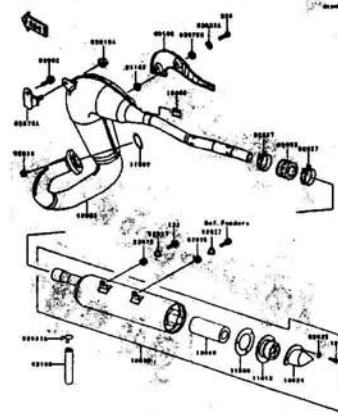
GRID NO. This grid covers:
B-1 Pictorial Index



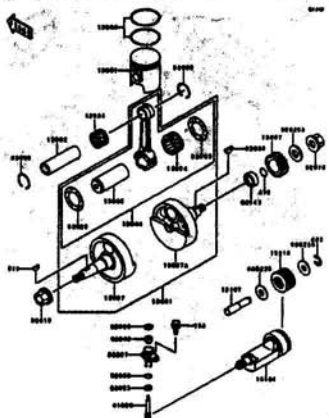
B-3 Cylinder Head/Cylinder



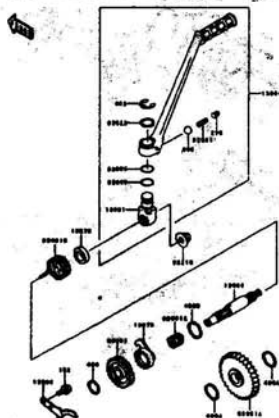
B-4 Air Cleaner



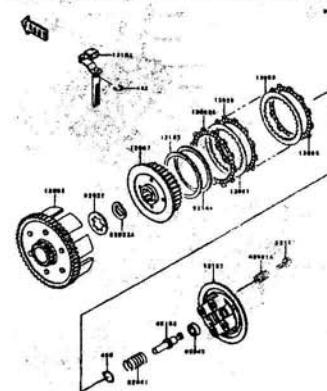
B-5 Muffler(s)



B-6 Crankshaft/Piston(s)



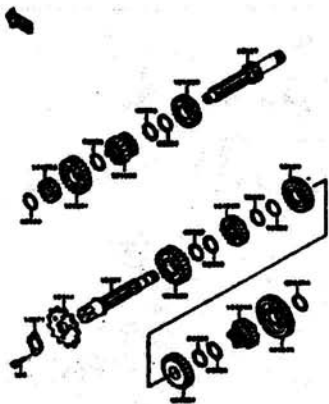
B-7 Kickstarter Mechanism



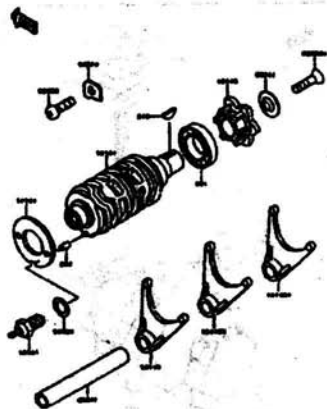
B-8 Clutch

This catalog covers:
'99 KMX125-A12 Engine

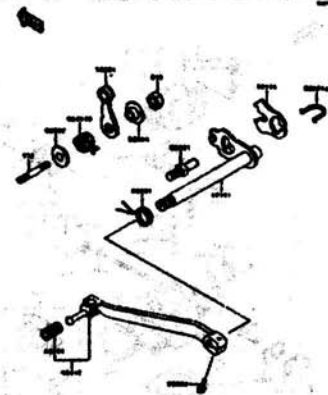
GRID NO. This grid covers:
B-2 Pictorial Index



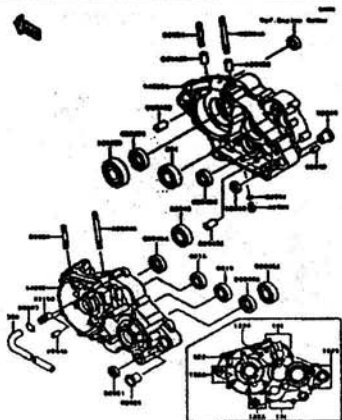
B-9 Transmission



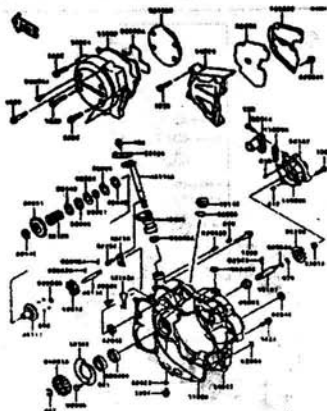
B-10 Gear Change Drum/Shift Fork(s)



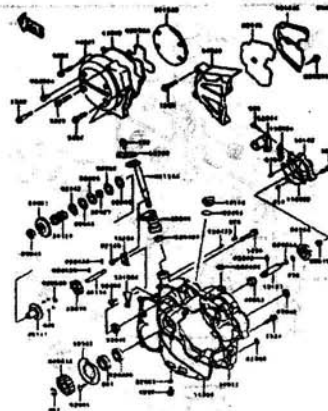
B-11 Gear Change Mechanism



B-12 Crankcase



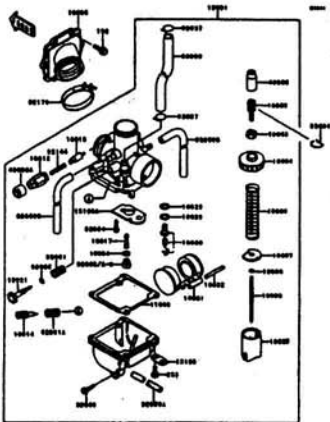
B-13 Engine Cover(s)(1/2)



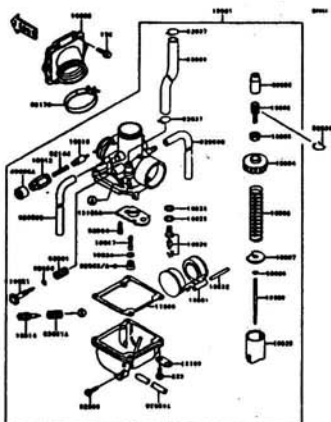
B-14 Engine Cover(s)(2/2)

This catalog covers:
'99 KMX125-A12 Engine

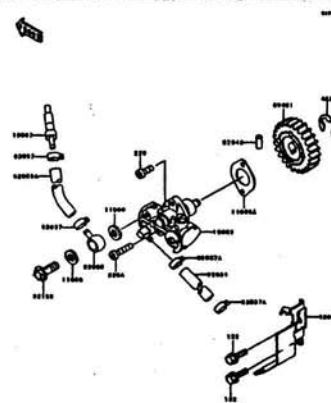
GRID NO. This grid covers:
C-1 Pictorial Index



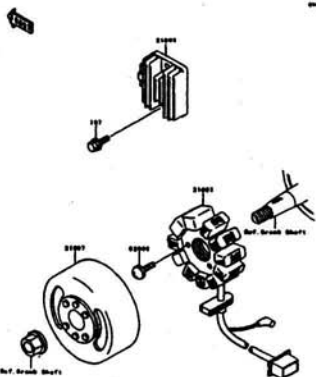
C-3 Carburetor(1/2)



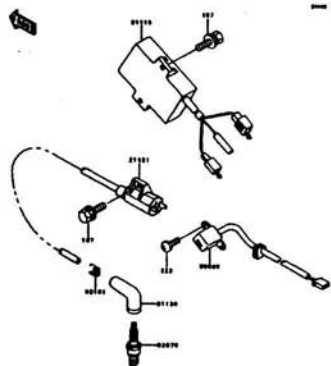
C-4 Carburetor(2/2)



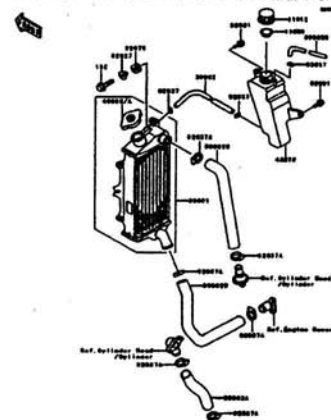
C-5 Oil Pump



C-6 Generator



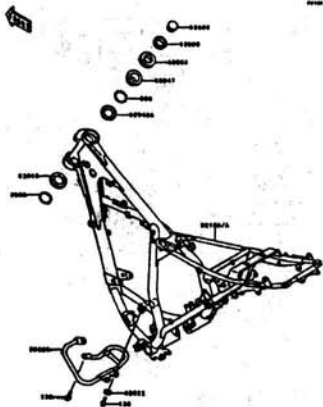
C-7 Ignition System



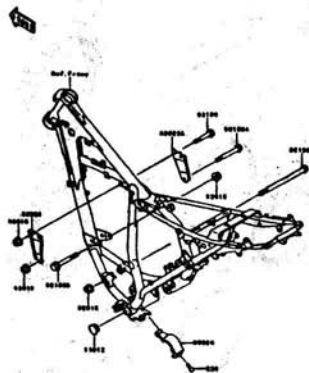
C-8 Radiator

This catalog covers:
'99 KMX125-A12 Chassis

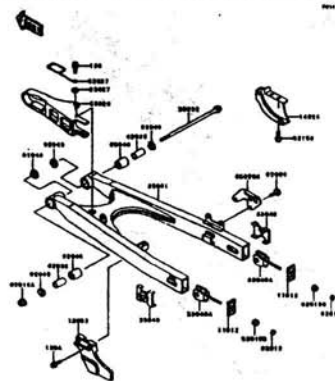
GRID NO. This grid covers:
D-1 Pictorial Index



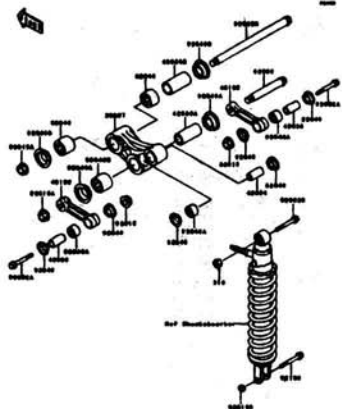
D-3 Frame



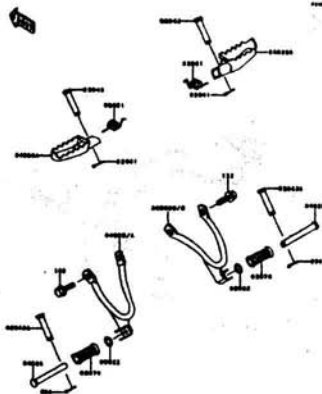
D-4 Frame Fittings



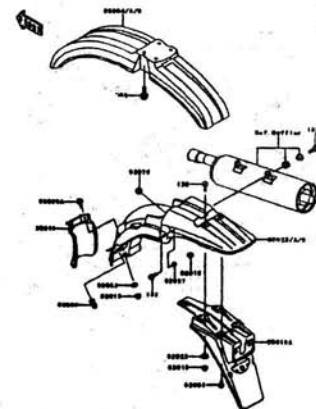
D-5 Swingarm



D-6 Suspension



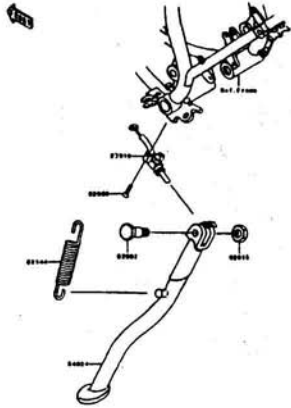
D-7 Footrests



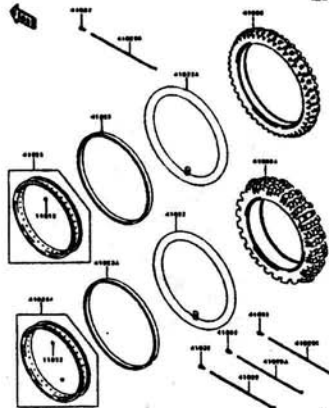
D-8 Fenders

This catalog covers:
'99 KMX125-A12 Chassis

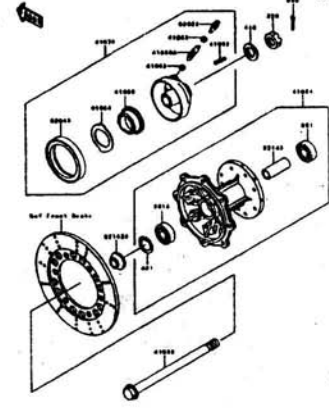
GRID NO. This grid covers:
D-2 Pictorial Index



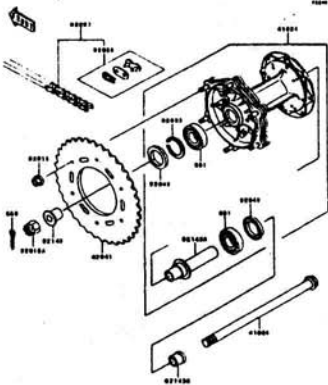
D-9 Stand(s)



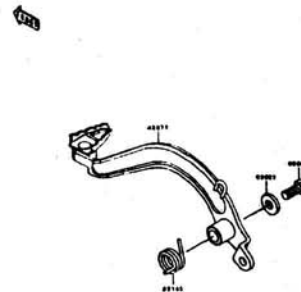
D-10 Tires



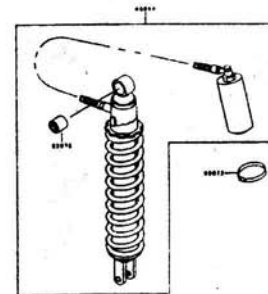
D-11 Front Hub



D-12 Rear Hub



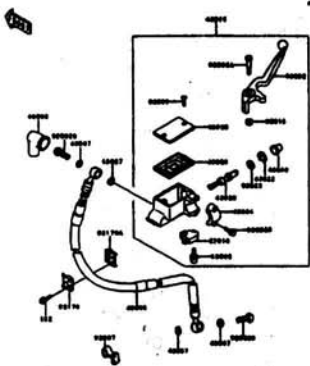
D-13 Brake Pedal



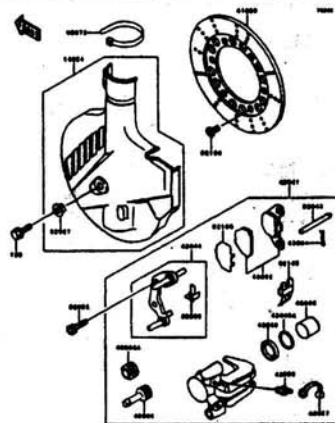
D-14 Shock Absorber(s)

This catalog covers:
'99 KMX125-A12 Chassis

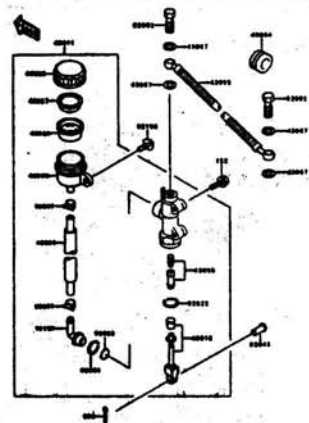
GRID NO. This grid covers:
E-1 Pictorial Index



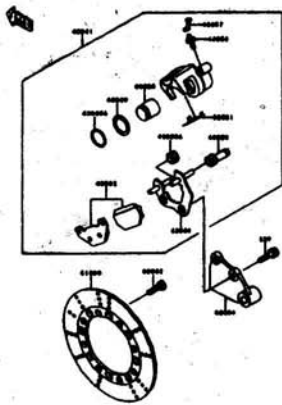
E-3 Front Master Cylinder



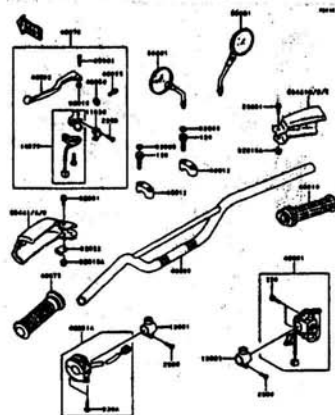
E-4 Front Brake



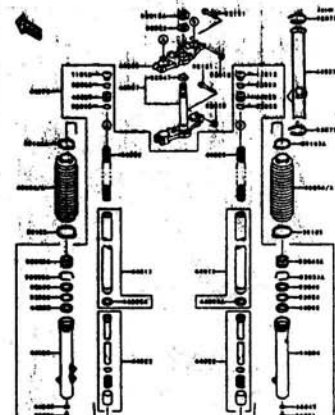
E-5 Rear Master Cylinder



E-6 Rear Brake



E-7 Handlebar



E-8 Front Fork

This catalog covers:

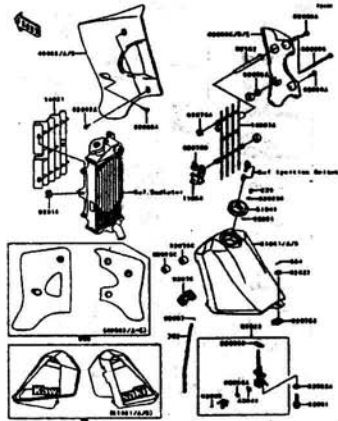
'99 KMX125-A12 Chassis

GRID NO.

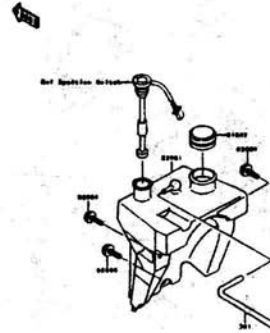
E-2

This grid covers:

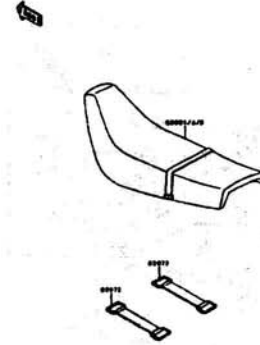
Pictorial Index



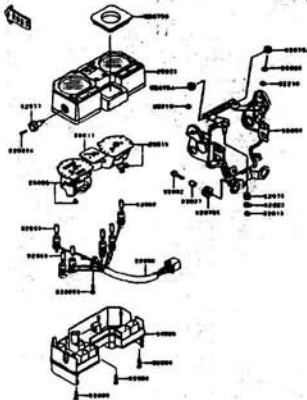
E-9 Fuel Tank



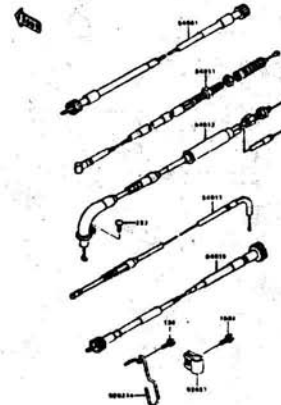
E-10 Oil Tank



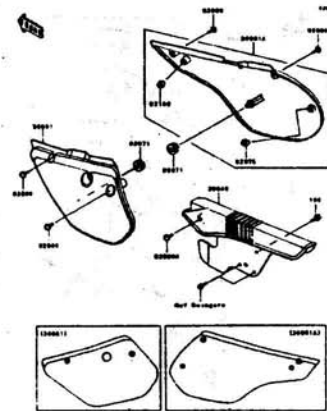
E-11 Seat



E-12 Meter(s)



E-13 Cables



E-14 Side Covers/Chain Cover(1/2)

This catalog covers:

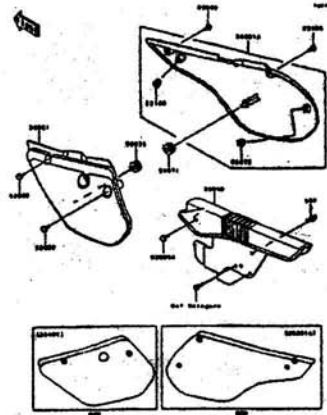
'99 KMX125-A12 Chassis

GRID NO.

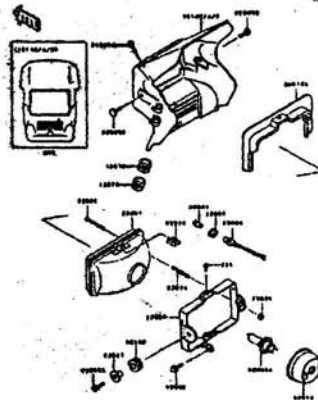
F-1

This grid covers:

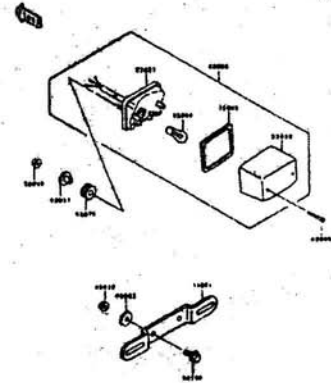
Pictorial Index



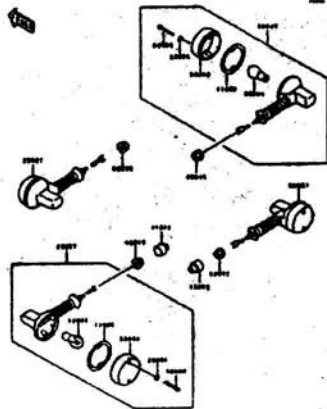
F-3 Side Covers/Chain Cover(2/2)



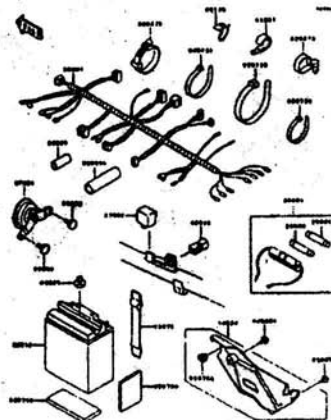
F-4 Headlight(s)



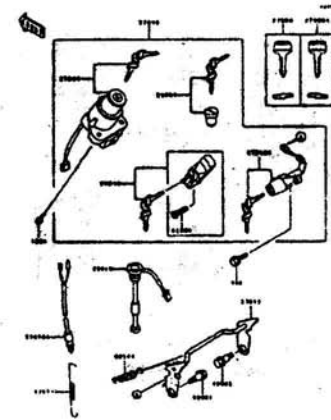
F-5 Taillight(s)



F-6 Turn Signals



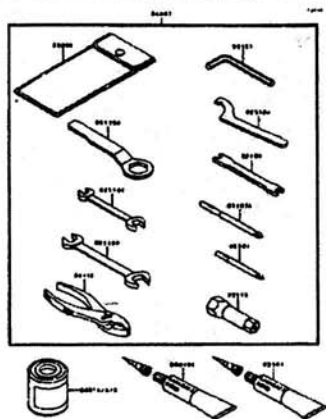
F-7 Chassis Electrical Equipment



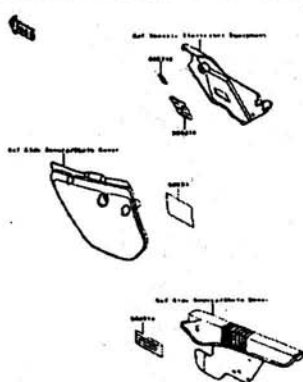
F-8 Ignition Switch

This catalog covers:
'99 KMX125-A12 Chassis

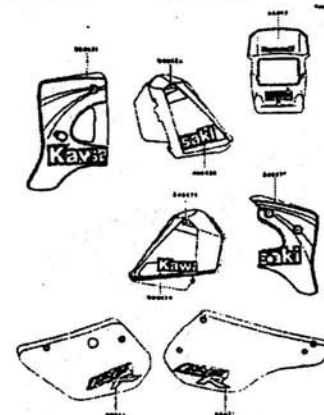
GRID NO. **F-2** This grid covers:
Pictorial Index



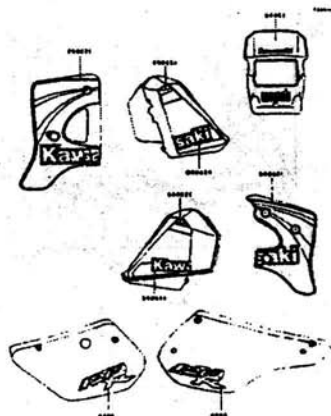
F-9 Owner's Tools



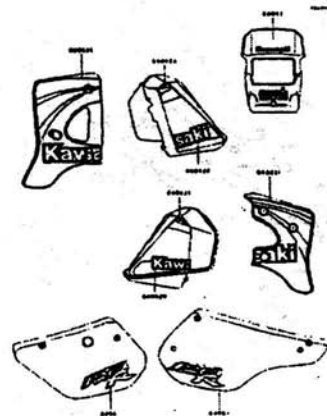
F-10 Labels



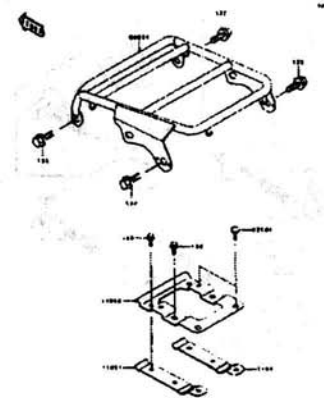
F-11 Decals (Green)



F-12 Decals (Red)



F-13 Decals (Blue)



F-14 Accessory

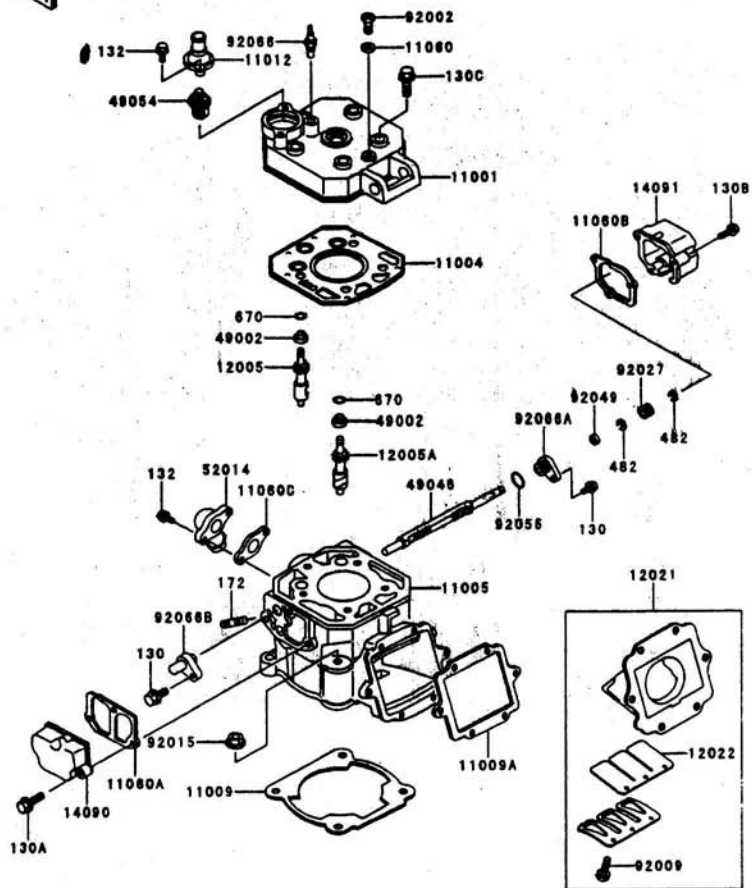
This catalog covers:
 '99 KMX125-A12 Engine

GRID NO.
B-3

This grid covers:
 Cylinder Head/Cylinder

E1110

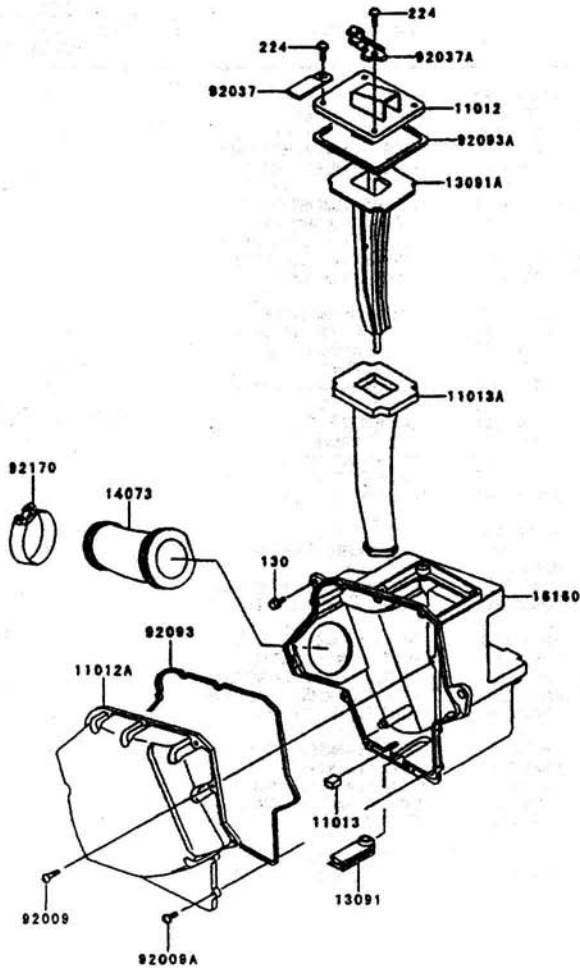
FRONT



Ref. No.	Part No.	Description	Spec Code	Quantity-KMX125	
				'99	A12
11001	11001-1493	HEAD-CYLINDER		1	
11004	11004-1151	GASKET-HEAD		1	
11005	11005-1886	CYLINDER-ENGINE		1	
11009	11009-1880	GASKET,CYLINDER BASE		1	
11009A	11009-1941	GASKET,REED VALVE		1	
11012	11012-1513	CAP.THERMOSTAT		1	
11060	11060-1155	GASKET,6X12X1.13		1	
11060A	11060-1156	GASKET,LH,RESONATOR		1	
11060B	11060-1157	GASKET,RH,GOVERNOR		1	
11060C	11060-1158	GASKET,ELBOW		1	
12005	12005-1057	VALVE-EXHAUST,LH		1	
12005A	12005-1060	VALVE-EXHAUST,RH		1	
12021	12021-1063	VALVE-ASSY-REED		1	
12022	12022-1058	VALVE-REED		2	
14090	14090-1442	COVER,LH RESONATOR		1	
14091	14091-1083	COVER,RH		1	
49002	49002-1075	GUIDE-VALVE		2	
49046	49046-1055	ROD-GOVERNOR		1	
49054	49054-1057	THERMOSTAT		1	
52014	52014-1061	ELBOW		1	
92002	92002-1222	BOLT,6X10		1	
92009	92009-1014	SCREW,REED VALVE		6	
92015	92015-1143	NUT,8MM		4	
92027	92027-1834	COLLAR,GOVERNOR ROD		1	
92049	92049-1206	SEAL-OIL,RSO-5.5X11X4		1	
92055	92055-1150	RING-O,10MM		1	
92066	92066-1118	PLUG,SENSOR,WATER		1	
92066A	92066-1254	PLUG,GOVERNOR ROD,RH		1	
92066B	92066-1255	PLUG,GOVERNOR ROD,LH		1	
130	130G0516	BOLT-FLANGED		2	
130A	130G0525	BOLT-FLANGED		3	
130B	130G0530	BOLT-FLANGED		3	
130C	130G0850	BOLT-FLANGED,8X50		5	
132	132J0616	BOLT-FLANGED-SMALL		4	
172	172G0822	BOLT-STUD,8X22		2	
482	482J4000	CIRCLIP-TYPE-E,4MM		2	
670	670B1510	O RING,10MM		2	

This catalog covers:
 '99 KMX125-A12 Engine

GRID NO. This grid covers:
B-4 Air Cleaner



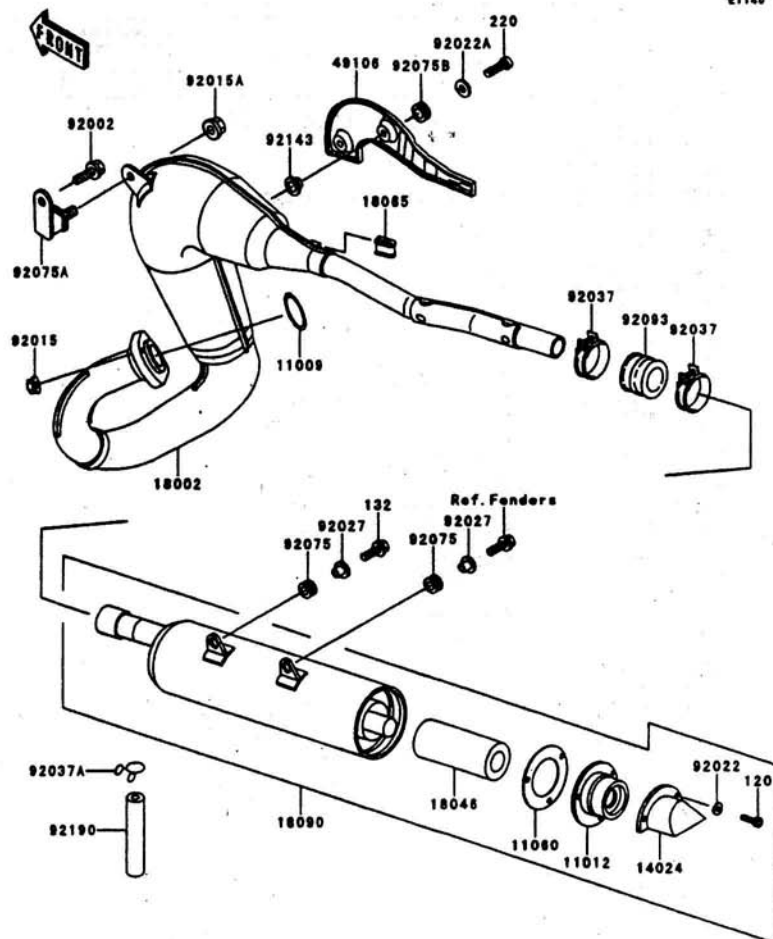
E1130

Ref. No.	Part No.	Description	Spec Code	Quantity-KMX125	
				'99	A12
11012	11012-1514	CAP,AIR INLET		1	
11012A	11012-1556	CAP,AIR FILTER		1	
11013	11013-1147	ELEMENT-AIR FILTER,DRAIN		1	
11013A	11013-1151	ELEMENT-AIR FILTER		1	
13091	13091-1429	HOLDER		1	
13091A	13091-1459	HOLDER,ELEMENT		1	
14073	14073-1263	DUCT,CARBURETOR		1	
16160	16160-1119	BODY,AIR FILTER		1	
92009	92009-1378	SCREW,TAPPING,4X20		2	
92009A	92009-1605	SCREW,4X16		12	
92037	92037-1069	CLAMP,WIRING HARNESS,L=60		1	
92037A	92037-1882	CLAMP		1	
92093	92093-1215	SEAL,AIR FILTER CASE		1	
92093A	92093-1216	SEAL,AIR INLET CAP		1	
92170	92170-1438	CLAMP		1	
130	130G0612	BOLT-FLANGED,6X12		1	
224	224B0618	SCREW-PAN-WP-CROS		4	

This catalog covers:
'99 KMX125-A12 Engine

GRID NO. **B-5** This grid covers:
Muffler(s)

E1140



Ref. No.	Part No.	Description	Spec Code	Quantity-KMX125	
				'99	A12
11009	11009-1992	GASKET,EXHAUST PIPE			1
11012	11012-1527	CAP			1
11060	11060-1301	GASKET			1
14024	14024-1365	COVER,BAFFLE			1
18002	18002-1688	BODY-COMP-MUFFLER			1
18046	18046-1066	WOOL,MUFFLER			1
18065	18065-007	INSULATOR,HEAT			1
18090	18090-1219	BODY-COMP-MUFFLER			1
49106	49106-1099	COVER-MUFFLER			1
92002	92002-1242	BOLT,6X16			1
92015	92015-1183	NUT,FLANGED,8MM,BLACK			2
92015A	92015-1233	NUT,FLANGED,6MM,BLACK			1
92022	92022-037	WASHER,5.5X10.5X0.8			3
92022A	92022-1344	WASHER,7X16X1.2			2
92027	92027-194	COLLAR,L=11.1			2
92037	92037-1129	CLAMP,40MM			2
92037A	92037-147	CLAMP,TUBE			1
92075	92075-1123	DAMPER,RUBBER			2
92075A	92075-1891	DAMPER,MUFFLER			1
92075B	92075-1947	DAMPER			2
92093	92093-1012	SEAL,EXHAUST PIPE			1
92143	92143-1057	COLLAR			2
92190	92190-1228	TUBE,5X10X668,BLUE			1
120	120S0510	BOLT-SOCKET			3
132	132E0620	BOLT-FLANGED-SMALL			1
220	220C0614	SCREW-PAN-CROS,6X14,BLACK			2

This catalog covers:

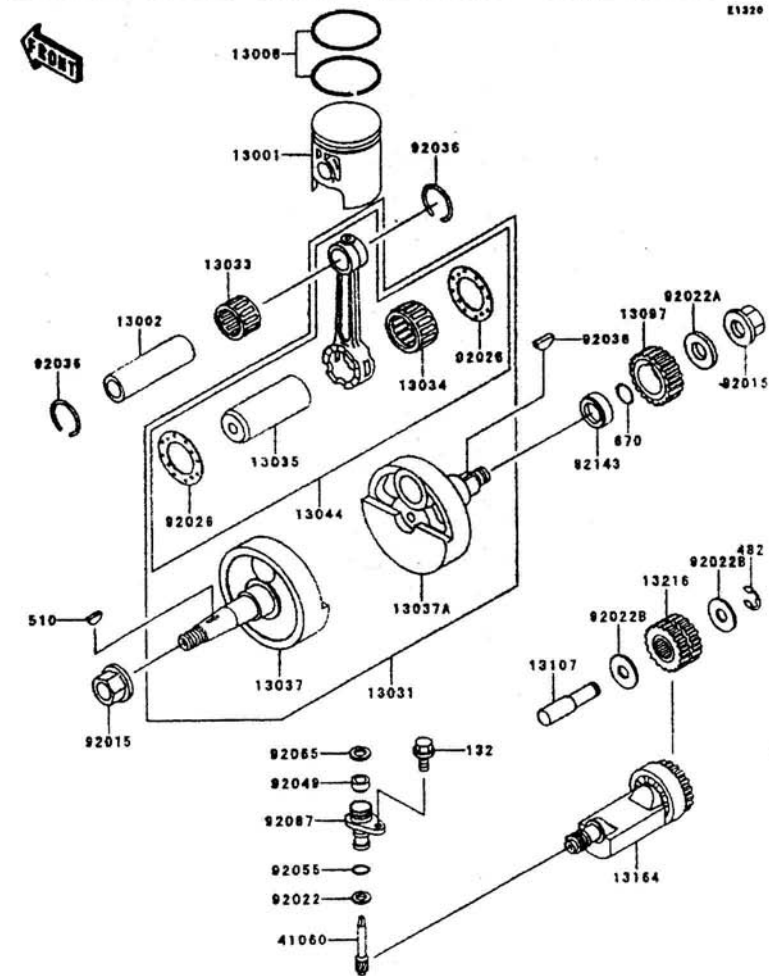
'99 KMX125-A12 Engine

GRID NO.

B-6

This grid covers:

Crankshaft/Piston(s)



E1320

Ref. No.	Part No.	Description	Spec Code	Quantity-KMX125	
				'99	A12
13001	13001-1235	PISTON-ENGINE	13001-1102	1	
13002	13002-1003	PIN-PISTON		1	
13008	13008-1079	RING-SET-PISTON		1	
13031	13031-1279	CRANKSHAFT-COMP		1	
13033	13033-1051	BEARING-SMALL END,KBK16X21		1	
13034	13034-1070	BEARING-BIG END		1	
13035	13035-1064	PIN-CRANK		1	
13037	13037-1281	CRANKSHAFT,LH		1	
13037A	13037-1354	CRANKSHAFT,RH		1	
13044	13044-5069	SET-CONNECTING ROD		1	
13097	13097-1264	GEAR-PRIMARY SPUR		1	
13107	13107-1180	SHAFT-BALANCER IDLE		1	
13164	13164-1001	BALANCER-COMP		1	
13216	13216-1121	GEAR-COMP,BALANCER IDLE		1	
41060	41060-1115	GEAR-METER SCREW,TACHOMETER		1	
92015	92015-1156	NUT,FLANGED,12MM		2	
92022	92022-1827	WASHER,6X12.8X1.2		1	
92022A	92022-1831	WASHER		1	
92022B	92022-1973	WASHER,10X15X1.0		2	
92026	92026-1136	SPACER,22.2X37X1.0		2	
92036	92036-004	RING-SNAP,PISTON PIN		2	
92038	92038-003	KEY,WOODRUFF		1	
92049	92049-1315	SEAL-OIL		1	
92055	92055-1149	RING-O,10MM		1	
92065	92065-103	GASKET,TACHOMETER GEAR		1	
92087	92087-1055	BUSHING-METER GEAR		1	
92143	92143-1239	COLLAR		1	
132	132G0614	BOLT-FLANGED-SMALL		1	
482	482J8000	CIRCLIP-TYPE-E,8MM		1	
510	510A3200	KEY-WOODRUFF		1	
670	670B2018	O RING,18MM		1	

This catalog covers:

'99 KMX125-A12 Engine

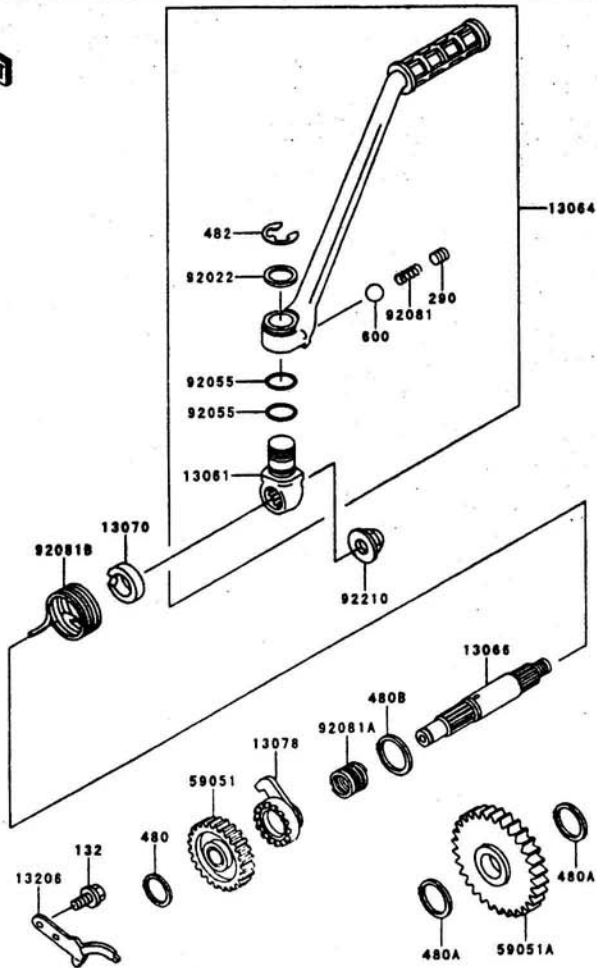
GRID NO.

B-7

This grid covers:

Kickstarter Mechanism

FRONT



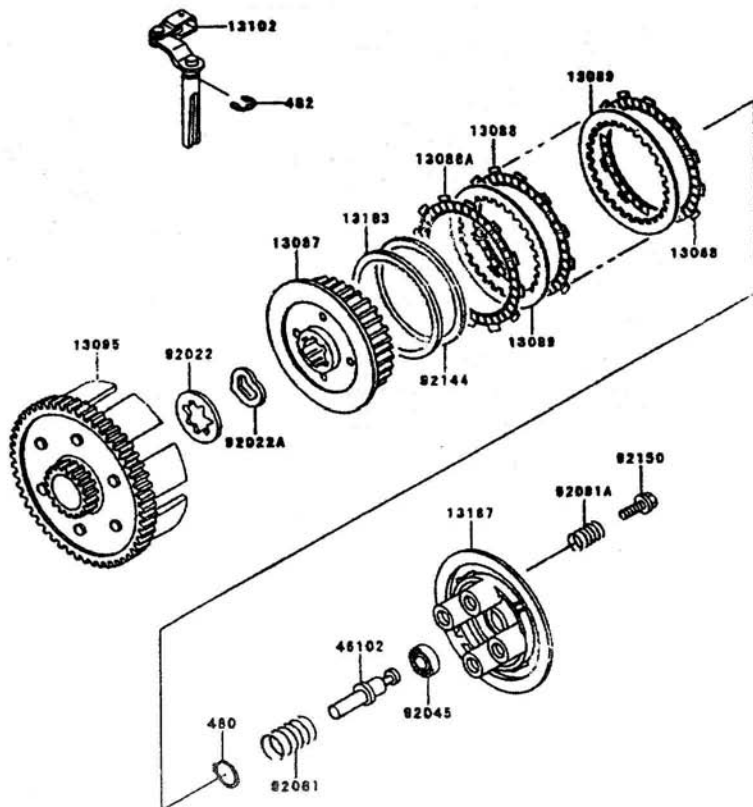
81248

Ref. No.	Part No.	Description	Spec Code	Quantity-KMX125	
				'99	A12
13061	13061-1047	BOSS,KICK PEDAL			1
13064	13064-1126	LEVER-ASSY-KICK,PEDAL			1
13066	13066-1066	SHAFT-KICK			1
13070	13070-1034	GUIDE,KICK SPRING			1
13078	13078-1004	RATCHET			1
13206	13206-1057	GUIDE-KICK			1
59051	59051-1164	GEAR-SPUR,KICKSTARTER,29T			1
59051A	59051-1236	GEAR,KICKSTARTER,35T			1
92022	92022-1019	WASHER,15.2X20X1			1
92055	92055-061	RING-O,10X1.5			2
92081	92081-020	SPRING,KICK PEDAL			1
92081A	92081-122	SPRING,RATCHET			1
92081B	92081-1434	SPRING,RETURN			1
92210	92210-1081	NUT,LOCK,FLANGED,10MM			1
132	132G0614	BOLT-FLANGED-SMALL			2
290	290Q0808	SCREW-SET-SOCKET,8X8			1
480	480J1200	CIRCLIP-TYPE-C,12MM			1
480A	480J1500	CIRCLIP-TYPE-C,15MM			2
480B	480J1600	CIRCLIP-TYPE-C,16MM			1
482	482J0100	CIRCLIP-TYPE-E,10MM			1
600	600A0800	BALL-STEEL,1/4"			1

This catalog covers:
 '99 KMX125-A12 Engine

GRID NO. This grid covers:
B-8 Clutch

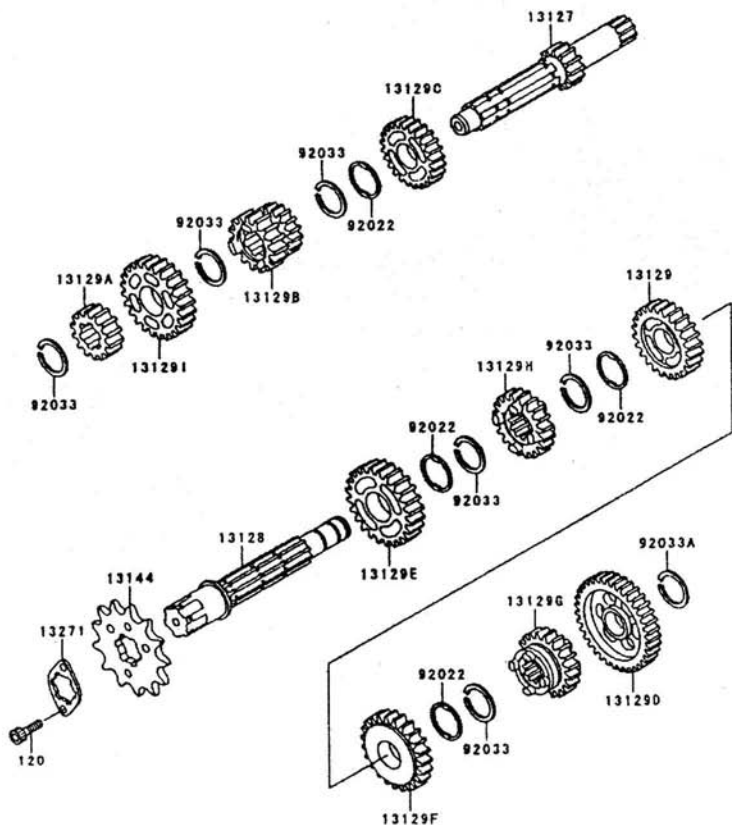
FRONT



Ref. No.	Part No.	Description	Spec Code	Quantity-KMX125		
				'99		
13087	13087-1021	HUB-CLUTCH		1		
13088	13088-1016	PLATE-FRICTION,ID-81		5		
13088A	13088-1077	PLATE-FRICTION,ID-100		1		
13089	13089-1012	PLATE-CLUTCH		5		
13095	13095-1210	HOUSING-COMP-CLUTCH		1		
13102	13102-1082	RELEASE-COMP-CLUTCH		1		
13183	13183-1274	PLATE		1		
13187	13187-1013	PLATE-CLUTCH OPERATING		1		
46102	46102-1049	ROD CLUTCH		1		
92022	92022-1790	WASHER,TOOTHED		1		
92022A	92022-1791	WASHER,WAVE,20.7X29.1X0.3		1		
92045	92045-1235	BEARING-BALL,6001C3MLD1		1		
92081	92081-1207	SPRING-TENSIONER		1		
92081A	92081-1992	SPRING,CLUTCH		4		
92144	92144-1289	SPRING,CLUTCH		1		
92150	92150-1715	BOLE		4		
480	480J2000	CIRCLIP-TYPE-C,20MM		1		
482	482J8000	CIRCLIP-TYPE-E,8MM		1		

This catalog covers:
 '99 KMX125-A12 Engine

GRID NO. This grid covers:
B-9 Transmission



E1241

Ref. No.	Part No.	Description	Spec Code	Quantity-KMX125			
				'99			
				A12			
13127	13127-1138	SHAFT-TRANSMISSION INPUT,10T					1
13128	13128-1233	SHAFT-TRANSMISSION OUTPUT					1
13129	13129-1559	GEAR,OUTPUT 4TH,24T					1
13129A	13129-1788	GEAR,INPUT 2ND,14T					1
13129B	13129-1789	GEAR,INPUT 3RD&4TH,17T&22T					1
13129C	13129-1790	GEAR,INPUT 5TH,24T					1
13129D	13129-1791	GEAR,OUTPUT LOW,31T					1
13129E	13129-1792	GEAR,OUTPUT 2ND,27T					1
13129F	13129-1793	GEAR,OUTPUT 3RD,24T					1
13129G	13129-1795	GEAR,OUTPUT 5TH,22T					1
13129H	13129-1796	GEAR,OUTPUT TOP,21T					1
13129I	13129-1925	GEAR,INPUT TOP,26T					1
13144	13144-1071	SPROCKET-OUTPUT,14T					1
13271	13271-1052	PLATE,SPROCKET					1
92022	92022-1033	WASHER,TOOTHED,20.3X24X0.5					4
92033	92033-1214	RING-SNAP,18.7MM					6
92033A	92033-1215	RING-SNAP,14MM					1
120	120Q0608	BOLT-SOCKET					2

This catalog covers.

'99 KMX125-A12 Engine

GRID NO.

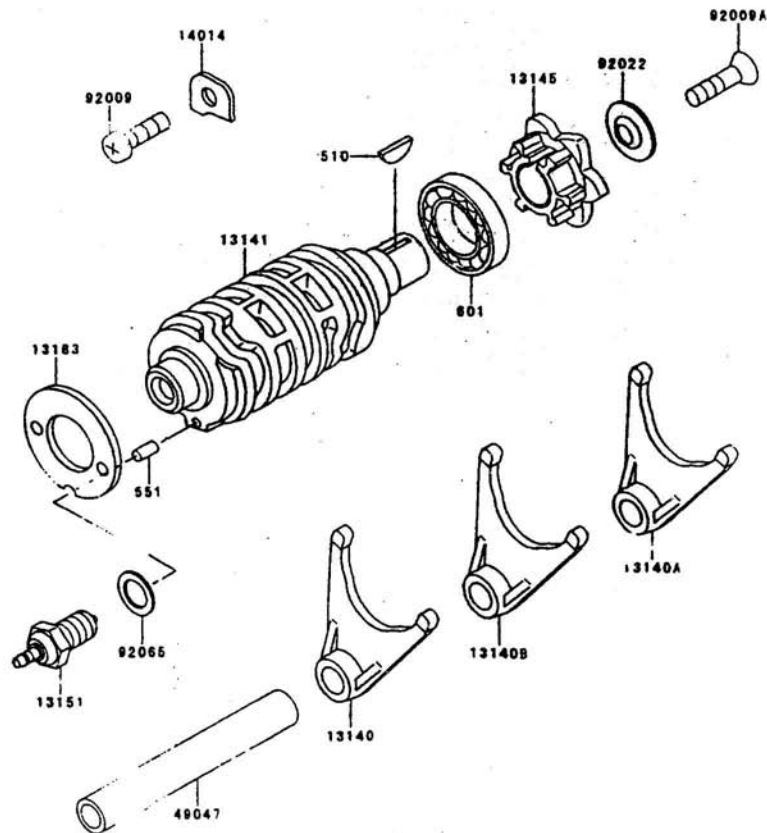
B-10

This grid covers:

Gear Change Drum/Shift Fork(s)



E1382



Ref. No.	Part No.	Description	Spec Code	Quantity-KMX125	
				'99	A12
13140	13140-1247	FORK-SHIFT,2ND-4TH			1
13140A	13140-1264	FORK-SHIFT,LOW-3RD			1
13140B	13140-1265	FORK-SHIFT,5TH-TOP			1
13141	13141-1161	DRUM-CHANGE			1
13145	13145-1084	CAM-CHANGE DRUM			1
13151	13151-1080	SWITCH-COMP,NEUTRAL			1
13183	13183-1066	PLATE-CHANGE			1
14014	14014-1066	PLATE-POSITION,DRUM			1
49047	49047-1068	ROD-SHIFT			1
92009	92009-1266	SCREW			1
92009A	92009-1447	SCREW,6X20			1
92022	92022-1792	WASHER			1
92065	92065-058	GASKET,10.5X16X1,DRAIN PLUG			1
510	510A3200	KEY-WOODRUFF			1
551	551A0308	PIN-DOWEL,3XB			1
601	601B6003U	BEARING-BALL,#6003UC3			1

This catalog covers:

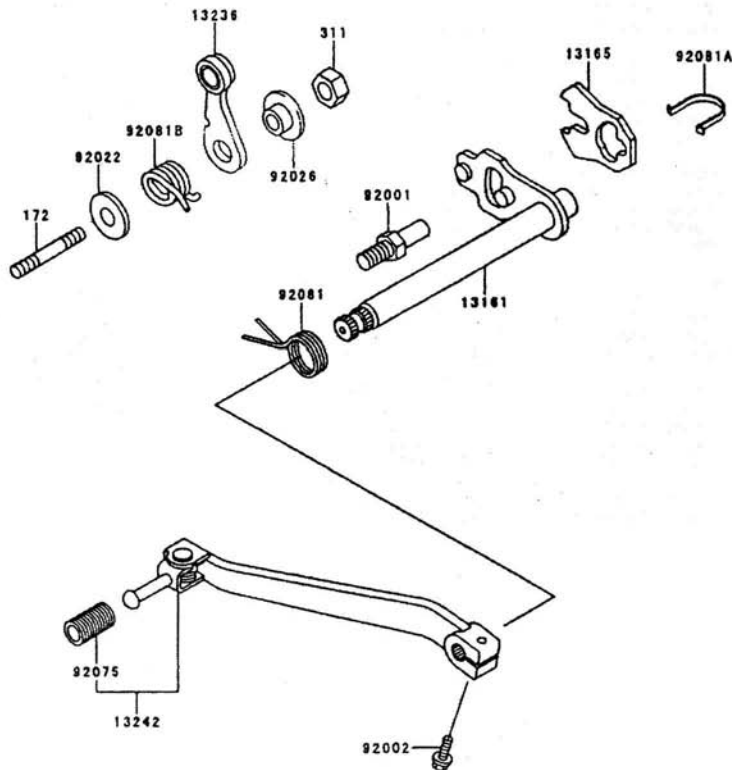
'99 KMX125-A12 Engine

GRID NO. This grid covers:

B-11

Gear Change Mechanism

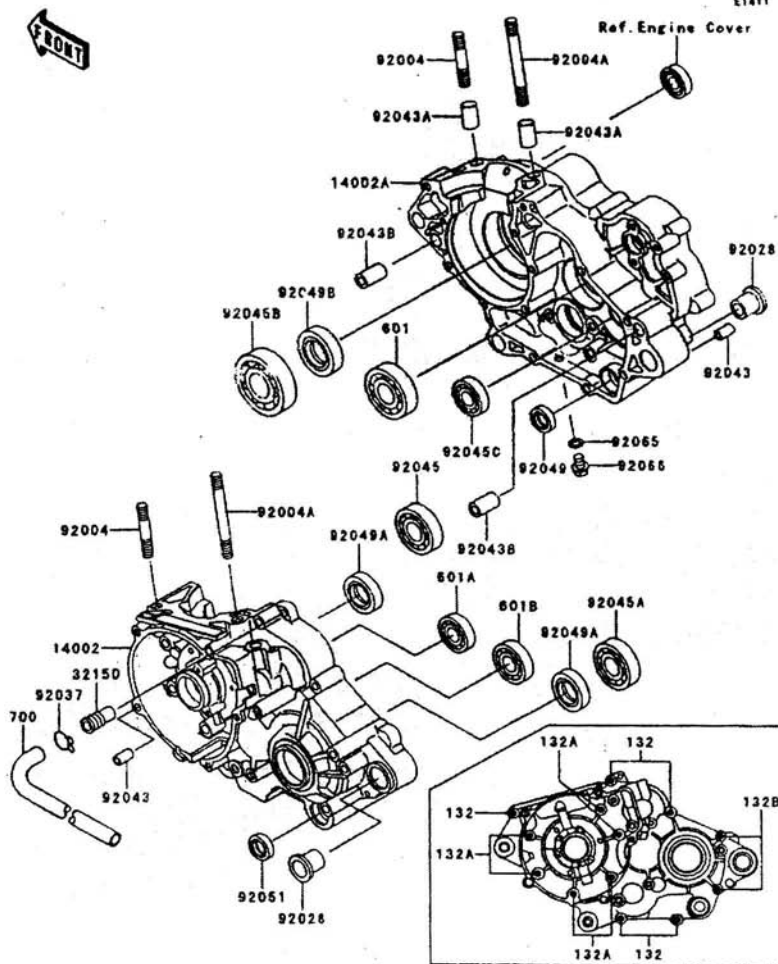
E1370



Ref. No.	Part No.	Description	Spec Code	Quantity-KMX125	
				'99	A12
13161	13161-1132	LEVER-COMP-CHANGE SHAFT			1
13165	13165-1034	PAWL,CHANGE LEVER			1
13236	13236-1146	LEVER-COMP,POSITION			1
13242	13242-1292	LEVER-ASSY-CHANGE,PEDAL			1
92001	92001-1455	BOLT,RETURN SPRING			1
92002	92002-1237	BOLT,6X20			1
92022	92022-1827	WASHER,6X12,8X1.2			1
92026	92026-1217	SPACER			1
92075	92075-1944	DAMPER,CHANGE PEDAL			1
92081	92081-1750	SPRING,CHANGE PEDAL RETURN			1
92081A	92081-1829	SPRING,CHANGE LEVER			1
92081B	92081-1993	SPRING,POSITION LEVER			1
172	172G0612	BOLT-STUD,6X12			1
311	311G0600	NUT-HEX,6MM			1

This catalog covers:
 '99 KMX125-A12 Engine

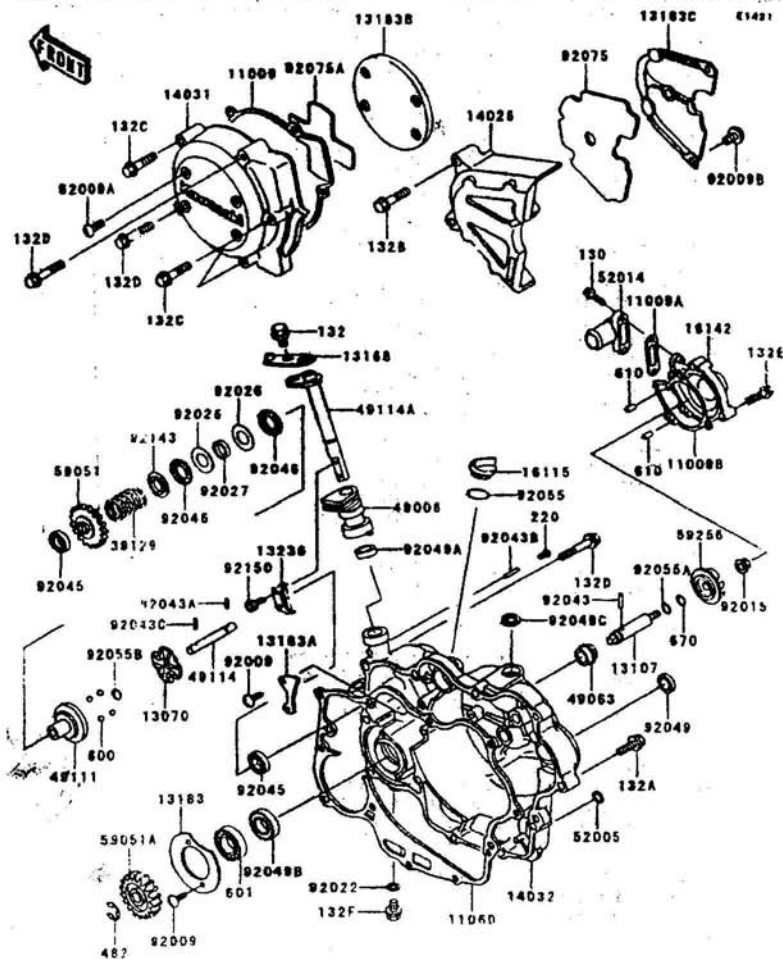
GRID NO. This grid covers:
B-12 Crankcase



Ref. No.	Part No.	Description	Spec Code	Quantity-KMX125	
				'99	A12
14002	14002-1473	CRANKCASE, LH		1	
14002A	14002-1487	CRANKCASE, RH		1	
32150	32150-1070	PIPE, BREATHER		1	
92004	92004-1170	STUD, 8X28		2	
92004A	92004-1171	STUD, 8X63		2	
92028	92028-1261	BUSHING, SWING ARM		2	
92037	92037-1835	CLAMP		1	
92043	92043-1263	PIN, 6.2X8X14		4	
92043A	92043-1264	PIN, 8.2X10X14		2	
92043B	92043-1265	PIN, 9.2X12X14		2	
92045	92045-1061	BEARING-BALL, R-6205C3		1	
92045A	92045-1107	BEARING-BALL, #6304		1	
92045B	92045-1120	BEARING-BALL, 6305JR2C3		1	
92045C	92045-1169	BEARING-BALL, 6202X19		1	
92049	92049-1186	SEAL-OIL, TB13205		1	
92049A	92049-1257	SEAL-OIL, TC20376.5		2	
92049B	92049-1320	SEAL-OIL		1	
92051	92051-005	SEAL-OIL, TB13225.5		1	
92065	92065-058	GASKET, 10.5X16X1, DRAIN PLUG		1	
92066	92066-1241	PLUG, DRAIN		1	
132	132G0650	BOLT-FLANGED-SMALL		5	
132A	132G0660	BOLT-FLANGED-SMALL		6	
132B	132G0675	BOLT-FLANGED-SMALL		2	
601	601A6204Z	BEARING-BALL		1	
601A	601A6301	BEARING-BALL		1	
601B	601B6202	BEARING-BALL, #6202C3		1	
700	700Q05360	TUBE-PVC, 5X360		1	

This catalog covers:
'99 KMX125-A12 Engine

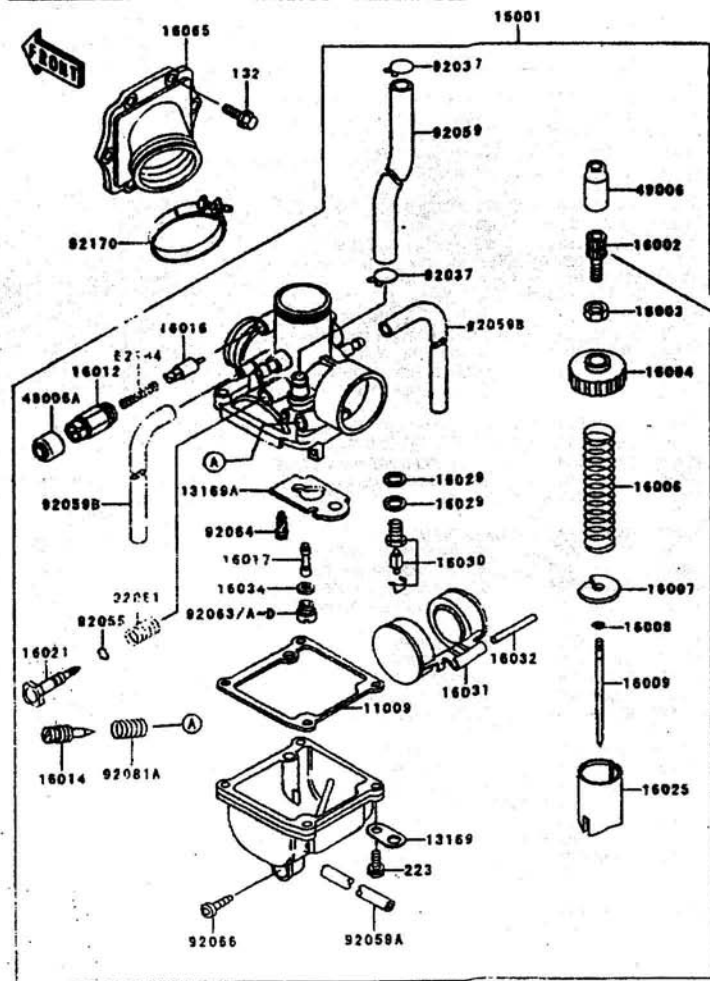
GRID NO. This grid covers:
B-14 Engine Cover(s)(2/2)



Ref. No.	Part No.	Description	Spec Code	Quantity-KMX125	
				'99	A12
92046	92046-1052	BEARING-NEEDLE,AXK1102			2
92049	92049-002	SEAL-OIL,SB16244			1
92049A	92049-1207	SEAL-OIL,SD08144			1
92049B	92049-1259	SEAL-OIL,SC12 28.555			1
92049C	92049-1262	SEAL-OIL			1
92055	92055-012	RING-O			1
92055A	92055-099	RING-O,8.8MM			1
92055B	92055-1343	RING-O,5.5X1.5			1
92075	92075-1886	DAMPER,CHAIN COVER			1
92075A	92075-1895	DAMPER,GENERATOR COVER			1
92143	92143-1001	COLLAR			1
92150	92150-1888	BOLT,SOCKET,AXB			2
130	130J0520	BOLT-FLANGED			2
132	132G0608	BOLT-FLANGED-SMALL			1
132A	132G0625	BOLT-FLANGED-SMALL			8
132B	132G0635	BOLT-FLANGED-SMALL			3
132C	132G0640	BOLT-FLANGED-SMALL			3
132D	132G0645	BOLT-FLANGED-SMALL			4
132E	132G0665	BOLT-FLANGED-SMALL			2
132F	132G0810	BOLT-FLANGED-SMALL			1
220	220C0306	SCREW-PAN-CROS			1
482	482J0100	CIRCLIP-TYPE-E,10MM			1
600	600A1000	BALL-STEEL,5/16"			4
601	601B6201U	BEARING-BALL,#6201LUC3/2A			2
610	610A0408	ROLLER,4X8			1
670	670B1506	O RING,6MM			1

This catalog covers:
'99 KMX125-A12 Engine

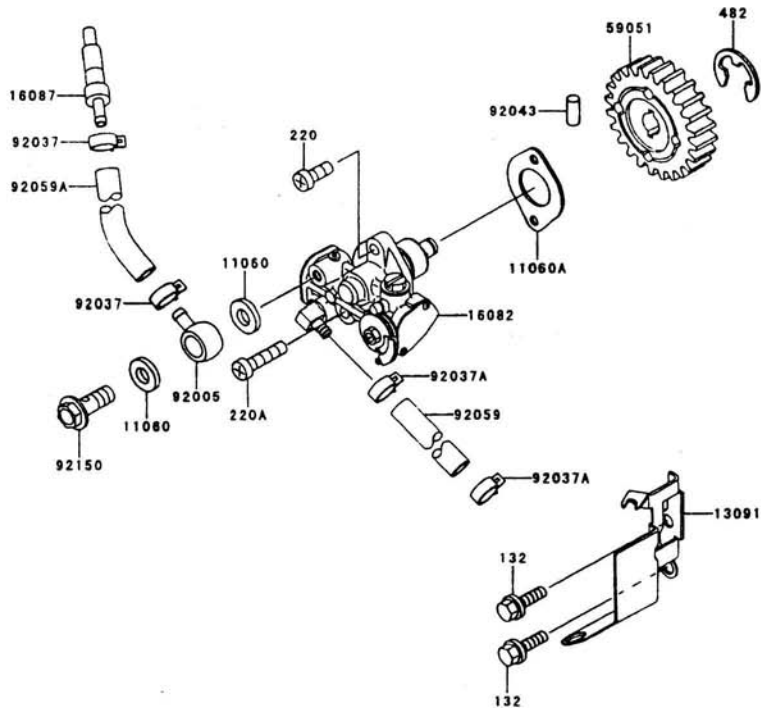
GRID NO. This grid covers:
C-4 Carburetor(2/2)



Ref. No.	Part No.	Description	Spec Code	Quantity-KMX125		
				'99	A12	
92064	92064-032	JET-PILOT,#25				1
92066	92066-1171	PLUG,DRAIN				1
92081	92081-1152	SPRING,THROTTLE ADJUST				1
92081A	92081-1153	SPRING,STOP SCREW				1
92144	92144-1075	SPRING,STARTER PLUNGER				1
92170	92170-1527	CLAMP,43MM				1
132	132J0620	BOLT-F-ANGED-SMALL				6
223	223B0416	SCREW-PAN-WS-CROS				4

This catalog covers:
'99 KMX125-A12 Engine

GRID NO. This grid covers:
C-5 Oil Pump



E1710

Ref. No.	Part No.	Description	Spec Code	Quantity-KMX125			
				'99			
11060	11060-1155	GASKET,6X12X1.13		2			
11060A	11060-1160	GASKET,OIL PUMP		1			
13091	13091-1430	HOLDER,OIL PUMP CABLE		1			
16082	16082-1081	PUMP-ASSY-OIL		1			
16087	16087-1001	VALVE-CHECK		1			
59051	59051-1168	GEAR-SPUR,OIL PUMP,23T		1			
92005	92005-1146	FITTING		1			
92037	92037-1260	CLAMP,TUBE		2			
92037A	92037-1601	CLAMP		2			
92043	92043-1316	PIN,3.5X17.8		1			
92059	92059-059	TUBE,4.5X9X345		1			
92059A	92059-1692	TUBE,3X6X40		1			
92150	92150-1982	BOLT,BANJO,6X16		1			
132	132J0612	BOLT-FLANGED-SMALL		2			
220	220B0516	SCREW-PAN-CROS		1			
220A	220B0528	SCREW-PAN-CROS		1			
482	482J6000	CIRCLIP-TYPE-E,6MM		1			

This catalog covers:

'99 KMX125-A12 Engine

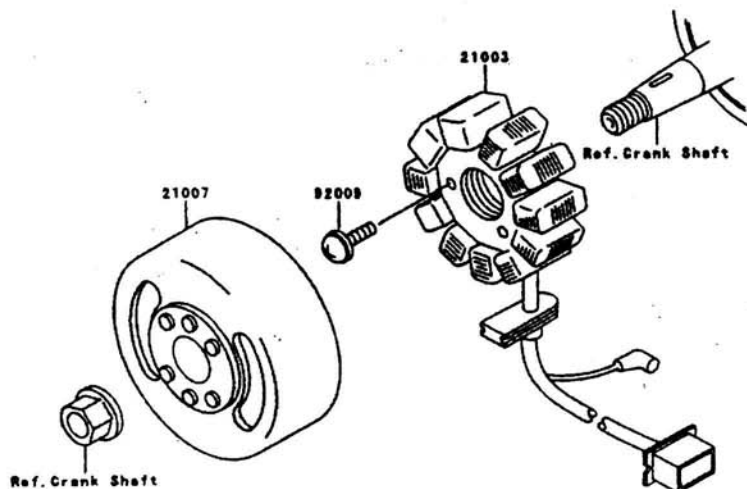
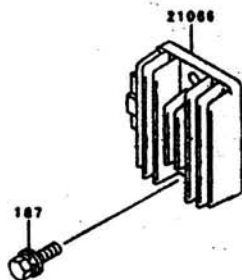
GRID NO.

C-6

This grid covers:

Generator

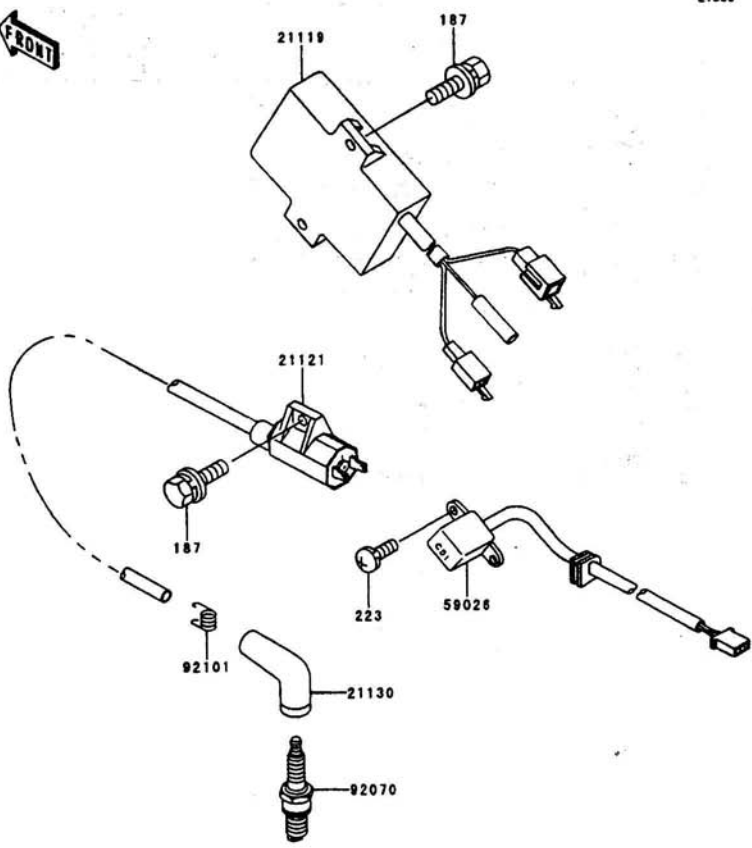
FRONT



Ref. No.	Part No.	Description	Spec Code	Quantity-KMX125	
				'99	A12
21003	21003-1161	STATOR		1	
21007	21007-1151	ROTOR		1	
21066	21066-1039	REGULATOR-VOLTAGE		1	
92009	92009-1721	SCREW.5X30		3	
187	187B0620	BOLT-UPSET-WSP		1	

This catalog covers:
 '99 KMX125-A12 Engine

GRID NO. This grid covers:
C-7 Ignition System



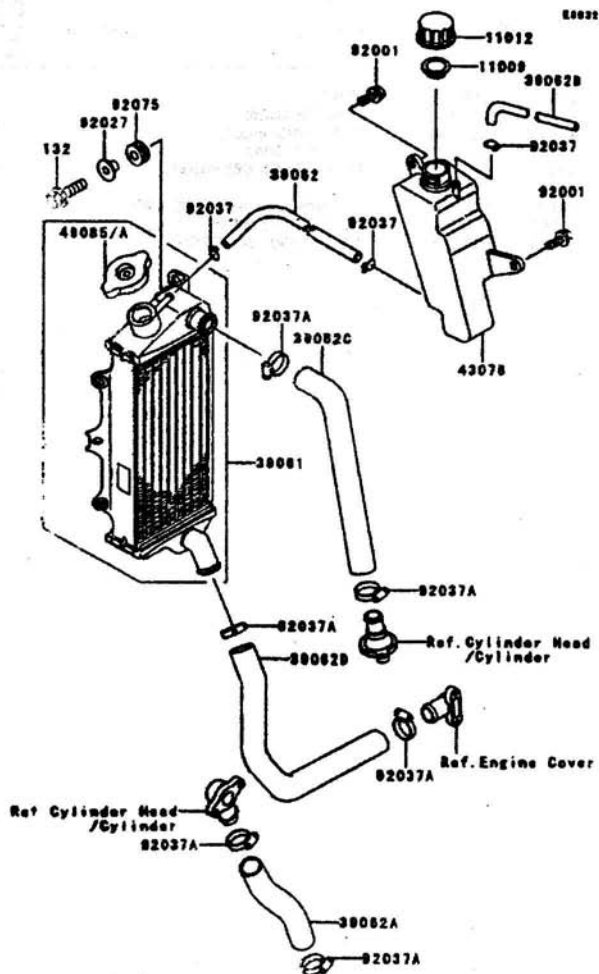
E1830

Ref. No.	Part No.	Description	Spec Code	Quantity-KMX125			
				'99			
21119	21119-1240	IGNITER		1			
21121	21121-1147	COIL-IGNITION		1			
21130	21130-009	CAP-SPARK PLUG		1			
59026	59026-1079	COIL-PULSING		1			
92070	92070-037	PLUG-SPARK,B8ES(NGK)		1			
92101	92101-001	TERMINAL_SPARK PLUG CAP		1			
187	187C0616	BOLT-UPSET-WSP		3			
223	223B0514	SCREW-PAN-WS-CROS		2			

This catalog covers:
 '99 KMX125-A12 Engine

GRID NO. This grid covers:
C-8 Radiator

FRONT



Ref. No.	Part No.	Description	Spec Code	Quantity-KMX125	
				'99	A12
11009	11009-1145	GASKET,RESERVOIR TANK CAP		1	
11012	11012-1084	CAP		1	
39061	39061-1125	RADIATOR-ASSY		1	
39062	39062-1086	HOSE-COOLING		1	
39062A	39062-1189	HOSE COOLING,PUMP-CYLINDER		1	
39062B	39062-1208	HOSE-COOLING		1	
39062C	39062-1288	HOSE COOLING,HEAD-RADIATOR		1	
39062D	39062-1289	HOSE-COOLING,RADIATOR-PUMP		1	
43078	43078-1076	RESERVOIR		1	
49085	49085-1059	CAP-ASSY-PRESSURE,P=1.8 (OPTION)		1	
49085A	49085-1067	CAP-ASSY-PRESSURE		1	
92001	92001-1763	BOLT,W/SP&K16		2	
92027	92027-251	COLLAR,L=13.1		2	
92037	92037-147	CLAMP,TUBE		3	
92037A	92037-1589	CLAMP,COOLING HOSE		6	
92075	92075-209	DAMPER		2	
132	132J0620	BOLT-FLANGED-SMALL		2	

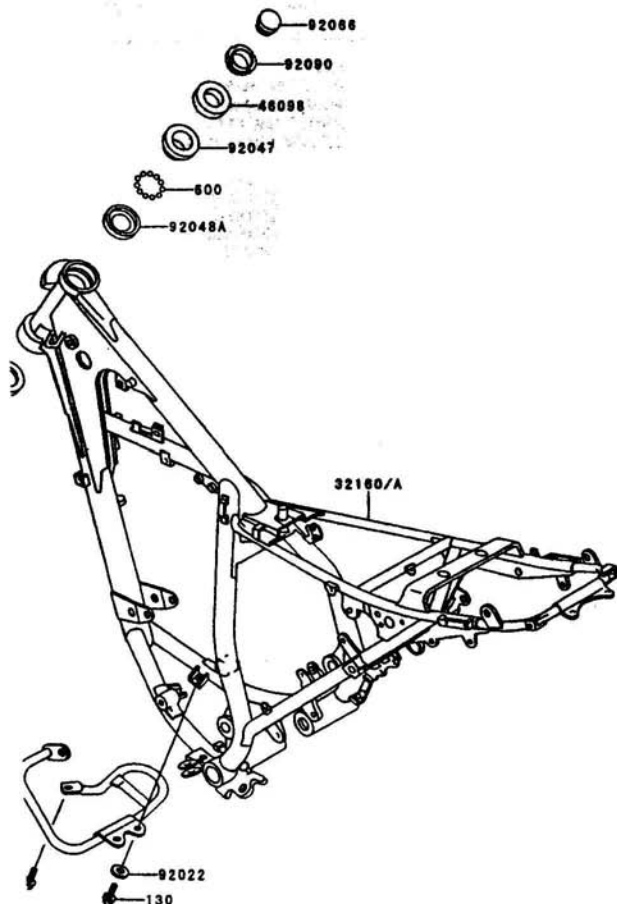
Covers:

25-A12 Chassis

GRID NO. This grid covers:

D-3 Frame

72120



Ref. No.	Part No.	Description	Spec Code	Quantity-KMX125			
				'99			
				A12			
32160	32160-1594-CC	FRAME-COMP,L,GREEN					1
32160A	32160-1594-10	FRAME-COMP,BLACK					1
46098	46098-018	CAP,STEERING STEM					1
55020	55020-1318	GUARD,ENGINE					1
92022	92022-1565	WASHER,6.5X16X2					2
92047	92047-014	CONE,STEERING STEM BEARING					1
92048	92048-005	RACE,STEERING STEM BEARING,LWR					1
92048A	92048-009	RACE,STEERING STEM BEARING					1
92066	92066-1306	PLUG					1
92090	92090-022	NUT,STEERING LOCK,25MM					1
130	130G0614	BOLT-FLANGED,6X14					3
600	600A0600	BALL-STEEL,3/16"					23
600A	600A0800	BALL-STEEL,1/4"					19

This catalog covers:

'99 KMX125-A12 Chassis

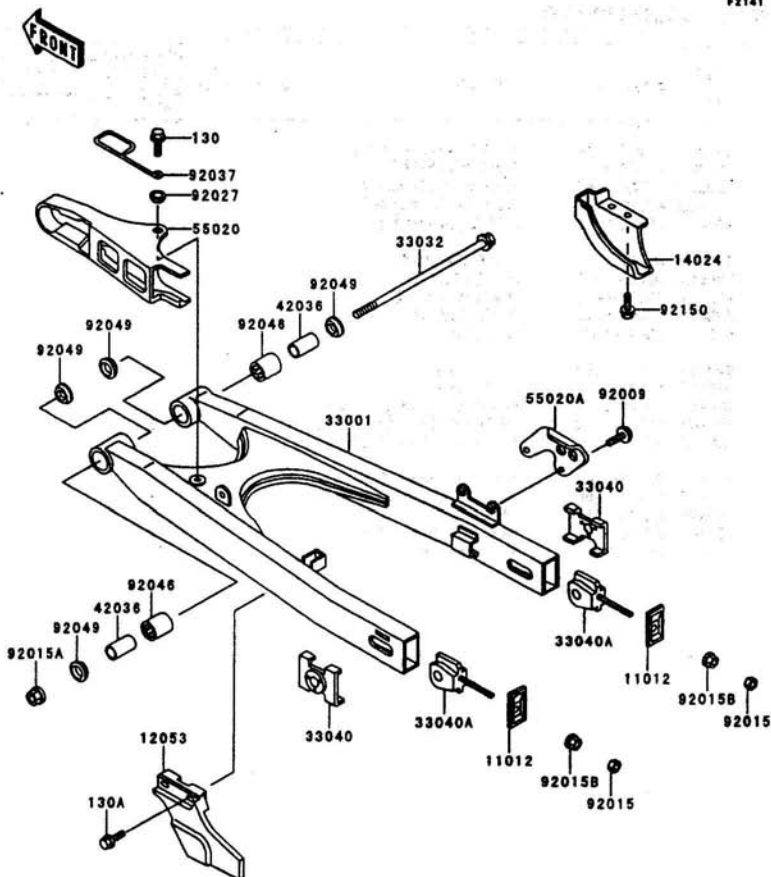
GRID NO.

D-5

This grid covers:

Swingarm

F2141

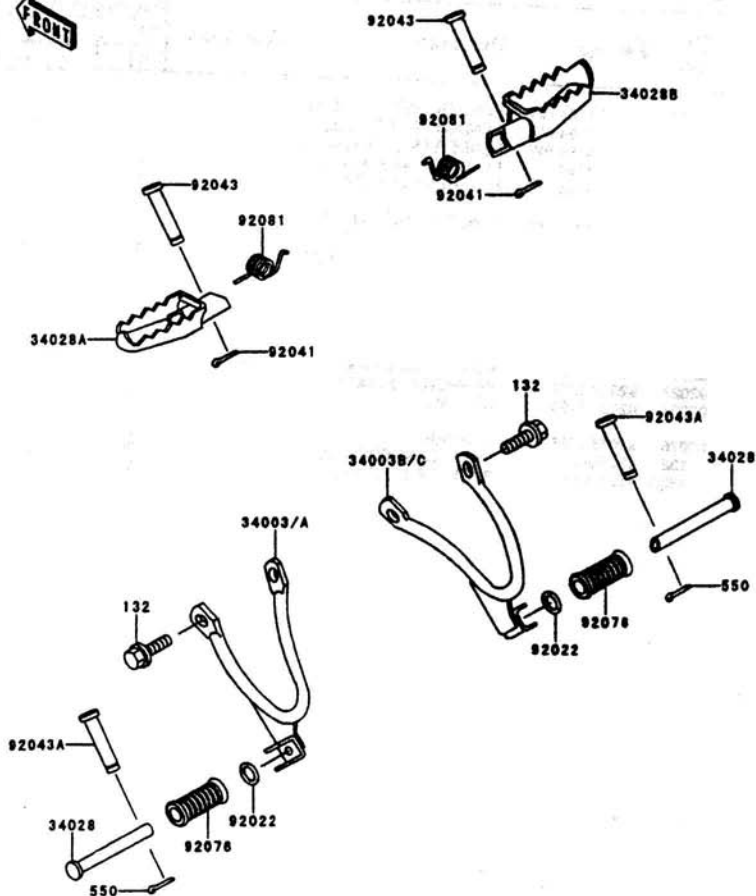


Ref. No.	Part No.	Description	Spec Code	Quantity-KMX125	
				'99	A12
11012	11012-1529	CAP,CHAIN ADJUSTER		2	
12053	12053-1104	GUIDE-CHAIN,RR		1	
14024	14024-1706-6F	COVER,REAR DISC,WHITE		1	
33001	33001-1386-CE	ARM-COMP-SWING,SILVER NO.25		1	
	33001-1333	ARM-COMP		1	
33032	33032-1132	SHAFT-SWING ARM		1	
33040	33040-1071	ADJUSTER,CHAIN,OUTSIDE		2	
33040A	33040-1072	ADJUSTER,CHAIN,INSIDE		2	
42036	42036-1216	SLEEVE,15.1X20X52		2	
55020	55020-1232	GUARD,CHAIN		1	
55020A	55020-1324-6F	GUARD,LIPER, P,WHITE		1	
92009	92009-1287	SCREW,6X14,WHITE		2	
92015	92015-1364	NUT,8MM		2	
92015A	92015-1459	NUT,14MM		1	
92015B	92015-1658	NUT,8MM		2	
92027	92027-1181	COLLAR,L=6.6		1	
92037	92037-1775	CLAMP,HOSE		1	
92046	92046-1110	BEARING,NEEDLE,BM202726		2	
92049	92049-1109	SEAL-OIL,ARM,CNT		4	
92150	92150-1435	BOLT,6X12		2	
130	130D0616	BOLT-FLANGED		1	
130A	130H0640	BOLT-FLANGED		2	

This catalog covers:
 '99 KMX125-A12 Chassis

GRID NO. This grid covers:
D-7 Footrests

FRONT



P2100

Ref. No.	Part No.	Description	Spec Code	Quantity-KMX125	
				'99	A12
34003	34003-1263-CC	HOLDER-STEP,RR,LH,L,GREEN		1	
34003A	34003-1263-10	HOLDER-STEP,RR,LH,BLACK		1	
34003B	34003-1264-CC	HOLDER-STEP,RR,RH,L,GREEN		1	
34003C	34003-1264-10	HOLDER-STEP,RR,RH,BLACK		1	
34028	34028-009	STEP,RR		2	
34028A	34028-1235	STEP,FR,LH		1	
34028B	34028-1315	STEP,FR,RH		1	
92022	92022-1568	WASHER,20X30X2.3		2	
92041	92041-1051	COTTER,2.5X15		2	
92043	92043-080	PIN,8X31		2	
92043A	92043-1464	PIN,6X28		2	
92076	92076-020	DAMPER		2	
92081	92081-1133	SPRING,STEP		2	
132	132E0816	BOLT-FLANGED-SMALL,8X16		4	
550	550D2015	PIN-COTTER,2.0X15		2	

This catalog covers:

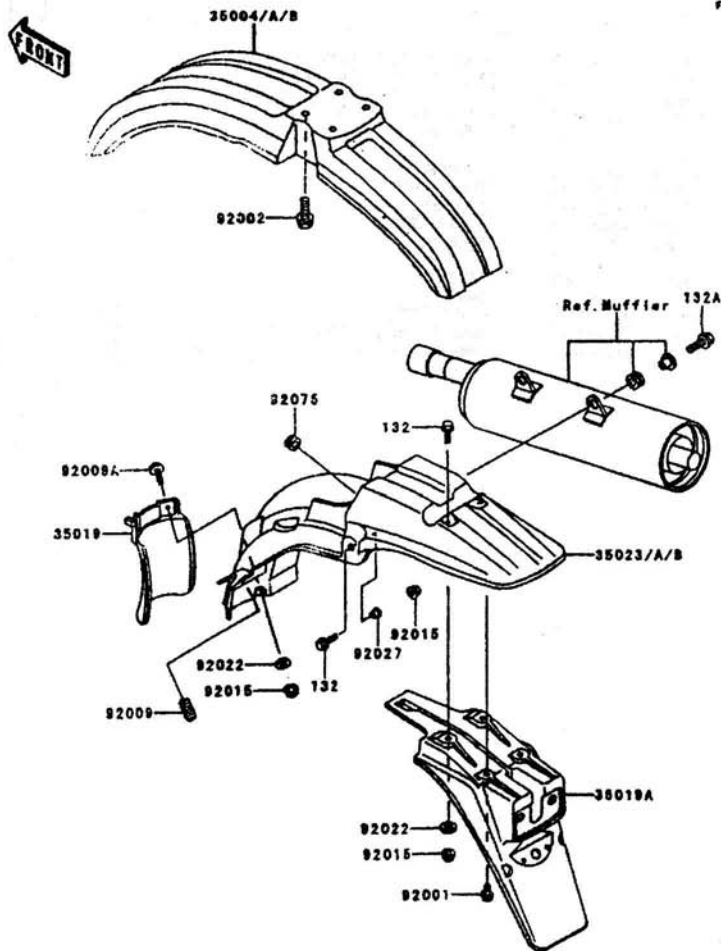
'99 KMX125-A12 Chassis

GRID NO.

D-8

This grid covers:

Fenders



Ref. No.	Part No.	Description	Spec Code	Quantity-KMX125			
				'99			
35004	35004-1194-FN	FENDER-FRONT,BLUE 41				1	
35004A	35004-1194-6L	FENDER-FRONT,F.RED				1	
35004B	35004-1194-6W	FENDER-FRONT,L.GREEN				1	
35019	35019-1180	FLAP,REAR FENDER,FR				1	
35019A	35019-1185	FLAP,REAR FENDER,RR				1	
35023	35023-1171-FN	FENDER-REAR,BLUE 41				1	
35023A	35023-1171-6L	FENDER-REAR,F.RED				1	
35023B	35023-1171-6W	FENDER-REAR,L.GREEN				1	
92001	92001-1771	BOLT,6X12				2	
92002	92002-1187	BOLT,6X16				4	
92009	92009-1271	SCREW,6X12				2	
92009A	92009-1273	SCREW,W/P,6X16				2	
92015	92015-1367	NUT,FL ANGED,6MM				6	
92022	92022-1557	WASHER,6.5X20X1.6				4	
92027	92027-1794	COLLAR				2	
92075	92075-1028	DAMPER				1	
132	132E0620	BOLT-FLANGED-SMALL				3	
132A	132E0630	BOLT-FLANGED-SMALL				1	

This catalog covers:

'99 KMX125-A12 Chassis

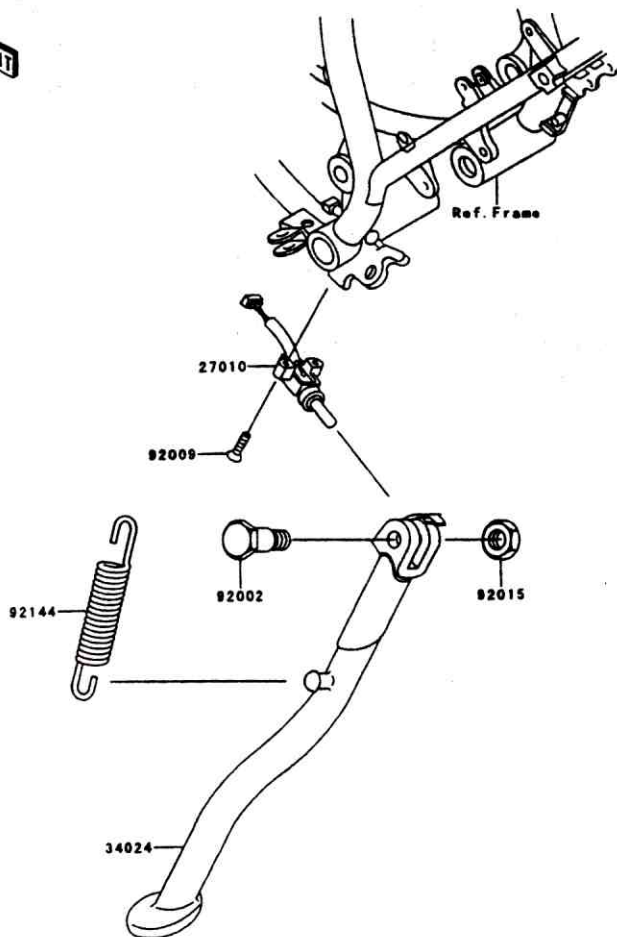
GRID NO.

D-9

This grid covers:

Stand(s)

FRONT

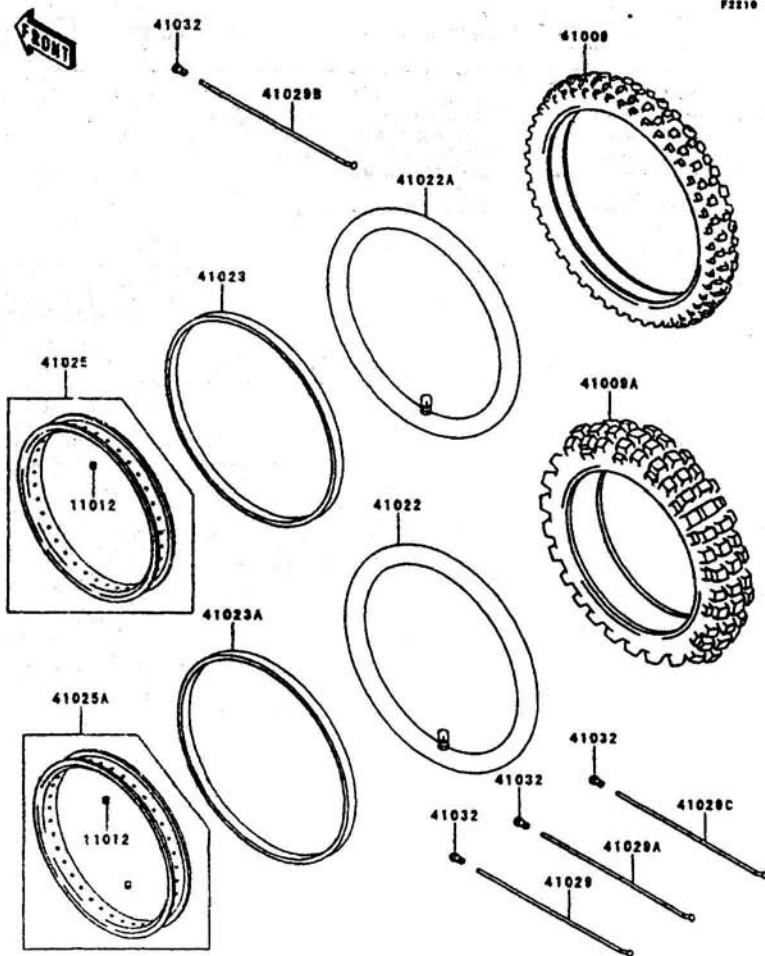


F2100

Ref. No.	Part No.	Description	Spec Code	Quantity-KMX125		
				'99		
27010	27010-1247	SWITCH,SIDE STAND				1
34024	34024-1368	STAND-SIDE				1
92002	92002-1813	BOLT,SIDE STAND				1
92009	92009-1359	SCREW,5X20				2
92015	92015-1188	NUT,LOCK,10MM,BLACK				1
92144	92144-1017	SPRING,SIDE STAND				1

This catalog covers:
'99 KMX125-A12 Chassis

GRID NO. This grid covers:
D-10 Tires



Ref. No.	Part No.	Description	Spec Code	Quantity-KMX125	
				'99	A12
11012	11012-1670	CAP,BEAD STOPPER		3	
41009	41009-1223	TIRE,FR,2.75-21 45P,D605F(D)		1	
41009A	41009-1224	TIRE,RR,4.10-18 59P,D605(D)		1	
41022	41022-1004	TUBE-TIRE,3.25/4.10-18(DUNLOP)		1	
41022A	41022-1118	TUBE-TIRE,80/100-21(D)		1	
41023	41023-1069	BAND-RIM,80/100-21(D)		1	
41023A	41023-1076	BAND-RIM,100/90-18(D)		1	
41025	41025-1204	RIM,FR,1.60X21E7J,SILVER		1	
41025A	41025-1205	RIM,RR,1.85X18E7J		1	
41029	41029-1163	SPOKE-INNER,RR,LH,191MMX162D		18	
41029A	41029-1164	SPOKE-INNER,RR,RH,196MMX172D		9	
41029B	41029-1169	SPOKE-INNER,FR,239MMX164D		36	
41029C	41029-1170	SPOKE-INNER,RR,RH,194MMX172D		9	
41032	41032-1078	NIPPLE-SPOKE		72	

This catalog covers:

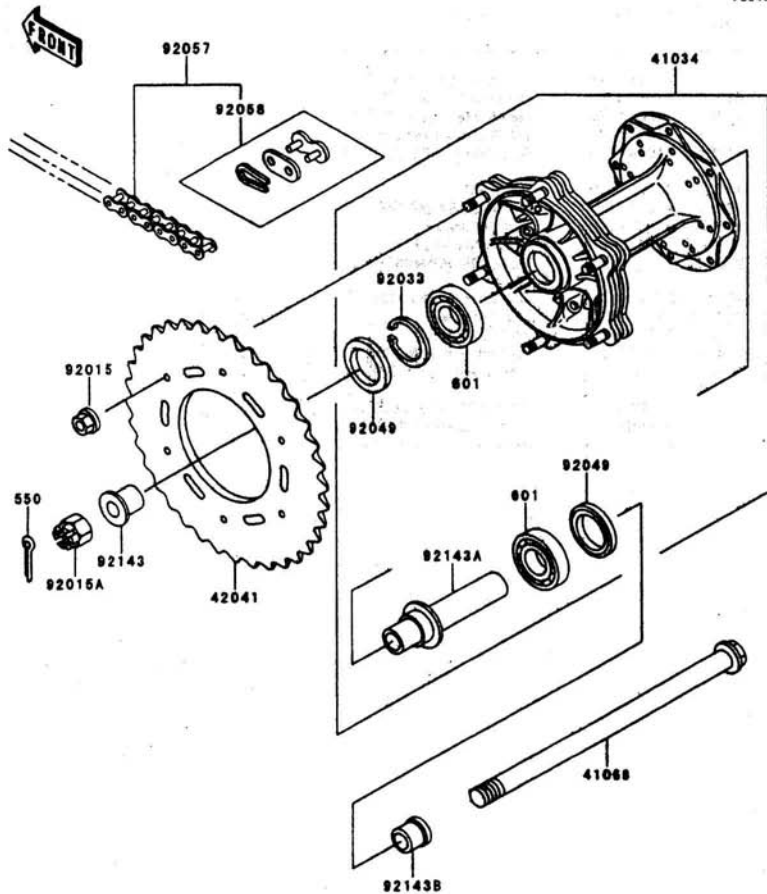
'99 KMX125-A12 Chassis

GRID NO. This grid covers:

D-12

Rear Hub

F2240



Ref. No.	Part No.	Description	Spec Code	Quantity-KMX125	
				'99	A12
41034	41034-1295	DRUM-ASSY,REAR BRAKE		1	
41068	41068-1228	AXLE,RR		1	
42041	42041-1291	SPROCKET-HUB,50T		1	
92015	92015-1868	NUT,FLANGED,LOCK,8MM		6	
92015A	92015-1765	NUT,CASTLE,14MM		1	
92033	92033-1041	RING-SNAP,42MM		1	
92049	92049-1203	SEAL-OIL,BJNC2 25425		2	
92057	92057-1217	CHAIN,DRIVE,EK428SH-RX124L		1	
92058	92058-1058	JOINT-CHAIN		1	
92143	92143-1015	COLLAR,L=28		1	
92143A	92143-1020	COLLAR,L=115		1	
92143B	92143-1021	COLLAR,L=13		1	
550	550D3025	PIN-COTTER,3.0X25		1	
601	601B6302UG	BEARING-BALL,#6302UG		2	

This catalog covers:

'99 KMX125-A12 Chassis

GRID NO.

This grid covers:

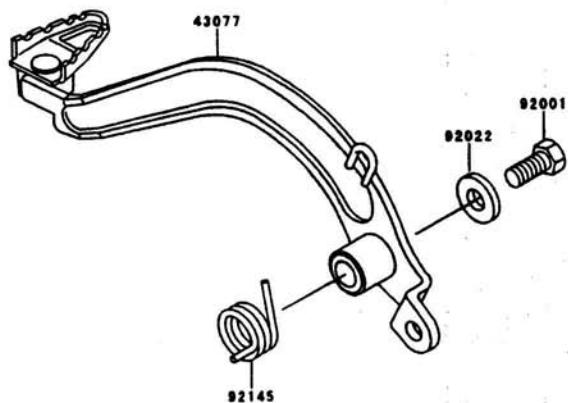
D-13

Brake Pedal



F2000

Ref. No.	Part No.	Description	Spec Code	Quantity-KMX125			
				'99			
43077	43077-1086	LEVER-ASSY-BRAKE,PEDAL				1	
92001	92001-1457	BOLT,6X16				1	
92022	92022-125	WASHER,6.5X20X1.6				1	
92145	92145-1240	SPRING,BRAKE PEDAL RETURN				1	



This catalog covers:

'99 KMX125-A12 Chassis

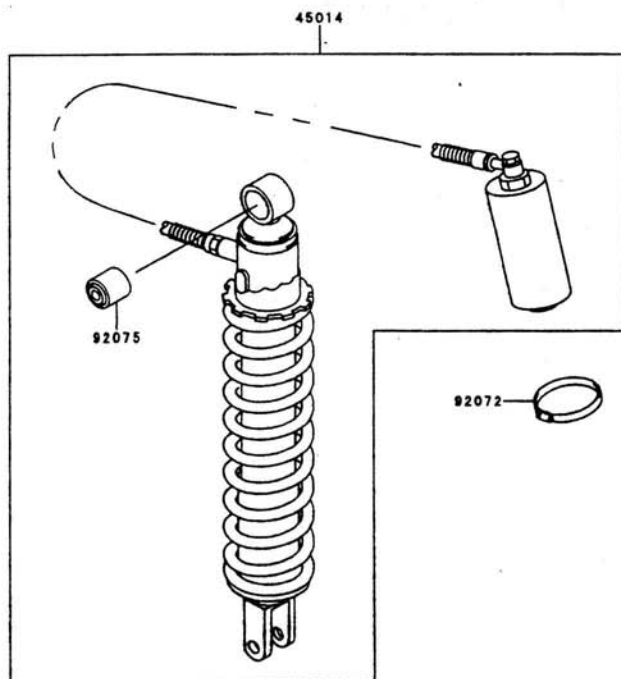
GRID NO. This grid covers:

D-14 Shock Absorber(s)



F2280

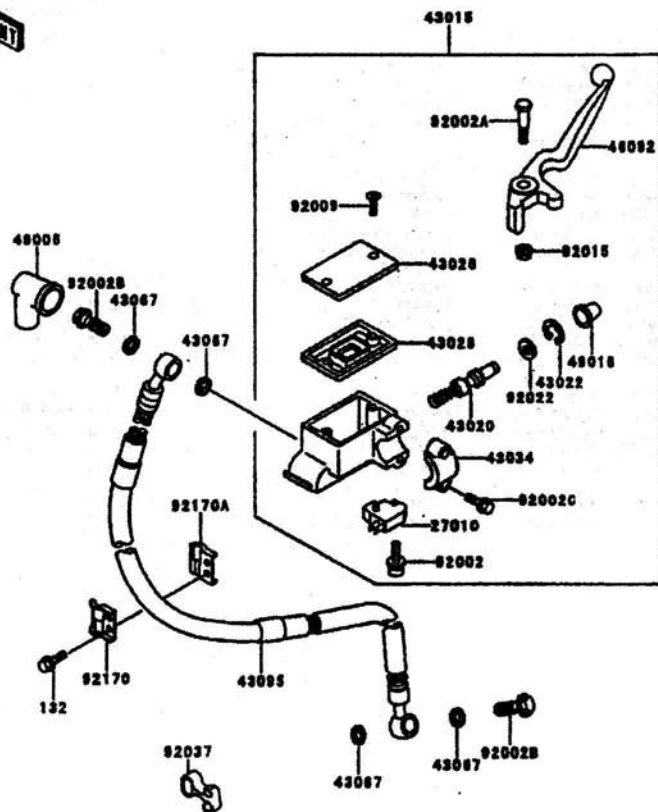
Ref. No.	Part No.	Description	Spec Code	Quantity-KMX125			
				'99			
45014	45014-1714	SHOCKABSORBER					1
92072	92072-1091	BAND,RESERVOIR TANK					1
92075	92075-1497	DAMPER,SHOCKABSORBER					1



This catalog covers:
 '99 KMX125-A12 Chassis

GRID NO. This grid covers:
E-3 Front Master Cylinder

FRONT

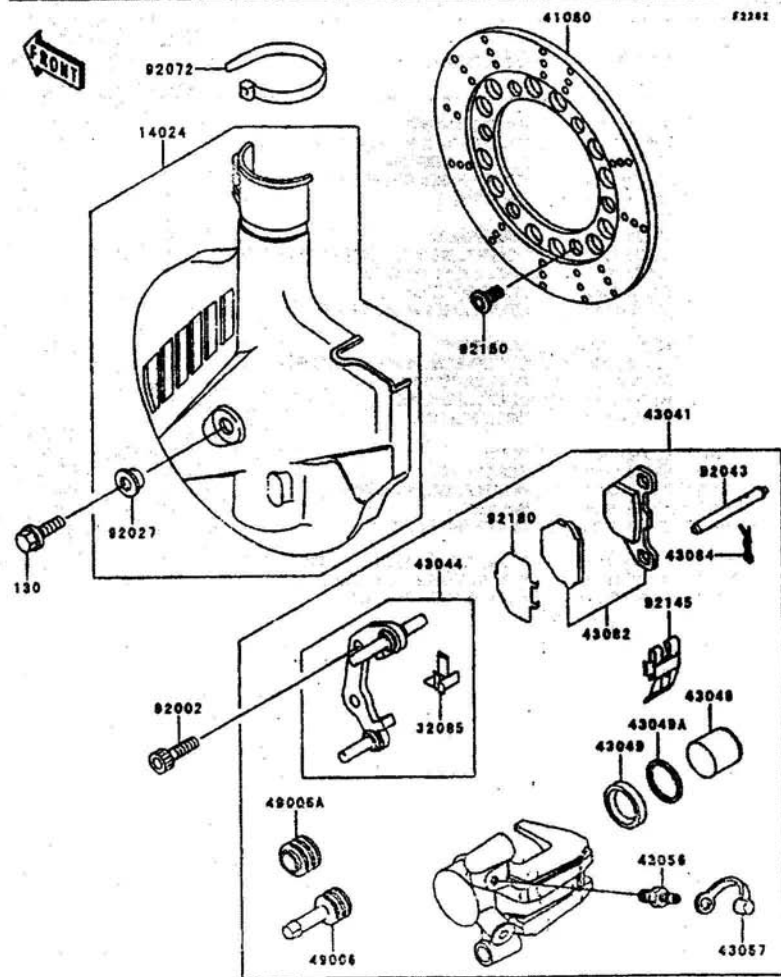


F2281

Ref. No.	Part No.	Description	Spec Code	Quantity-KMX125	
				'99	A12
27010	27010-1170	SWITCH,BRAKE		1	
43015	43015-1638	CYLINDER-ASSY-MASTER,FR		1	
43020	43020-1065	PISTON-COMP-BRAKE		1	
43022	43022-1010	STOPPER-BRAKE,PISTON		1	
43026	43026-1074	CAP-BRAKE		1	
43028	43028-1061	DIAPHRAGM		1	
43034	43034-1018	HOLDER-BRAKE,MASTER CYLINDER		1	
43067	43067-001	WASHER,10.5X15X1.5		4	
43095	43095-1137	HOSE-BRAKE,FR		1	
46092	46092-1140	LEVER-GRIP,FRONT BRAKE		1	
49006	49006-1040	BOOT,DUST		1	
49015	49015-1044	COVER-SEAL,MASTER CYLINDER		1	
92002	92002-1323	BOLT,SCREW,4X12		1	
92002A	92002-1879	BOLT,LEVER SET		1	
92002B	92002-1868	BOLT,OIL,L=23		2	
92002C	92002-1894	BOLT		2	
92009	92009-1458	SCREW,4MM		2	
92015	92015-1233	NUT,FLANGED,6MM,BLACK		1	
92022	92022-1814	WASHER		1	
92037	92037-1829	CLAMP,BRAKE HOSE		1	
92170	92170-1057	CLAMP,BRAKE HOSE,OUTSIDE		1	
92170A	92170-1058	CLAMP,BRAKE HOSE,INSIDE		1	
132	132E0620	BOLT-FLANGED-SMALL		2	

This catalog covers:
 '99 KMX125-A12 Chassis

GRID NO. This grid covers:
E-4 Front Brake



Ref. No.	Part No.	Description	Spec Code	Quantity-KMX125	
				'99	A12
14024	14024-1766-6F	COVER,FRONT DISC,P.WHITE		1	
32085	32085-1437	STOPPER		1	
41080	41080-1173	DISC,FR		1	
43041	43041-1689-GN	CALIPER-ASSY,FR,LH,SILVER		1	
43044	43044-1119	HOLDER-COMP-CALIPER,FR		1	
43048	43048-1073	PISTON-CALIPER		1	
43049	43049-1067	PACKING		1	
43049A	43049-1068	PACKING		1	
43056	43056-1054	BREATHER-BRAKE		1	
43057	43057-003	CAP-BREATHER		1	
43082	43082-1229	PAD-ASSY-BRAKE		1	
43084	43084-003	CLAMP,PAD		1	
49006	49006-1054	BOOT,CALIPER		1	
49006A	49006-1055	BOOT,CALIPER		1	
92002	92002-1178	BOLT,SOCKET,6X20		2	
92027	92027-1936	COLLAR		1	
92043	92043-1356	PIN,PAD		1	
92072	92072-1237	BAND,L=250		1	
92145	92145-1260	SPRING,PAD		1	
92150	92150-1852	BOLT,DISC PLATE,6X15		6	
92180	92180-1297	SHIM		1	
130	130G0614	BOLT-FLANGED,6X14		1	

This catalog covers:

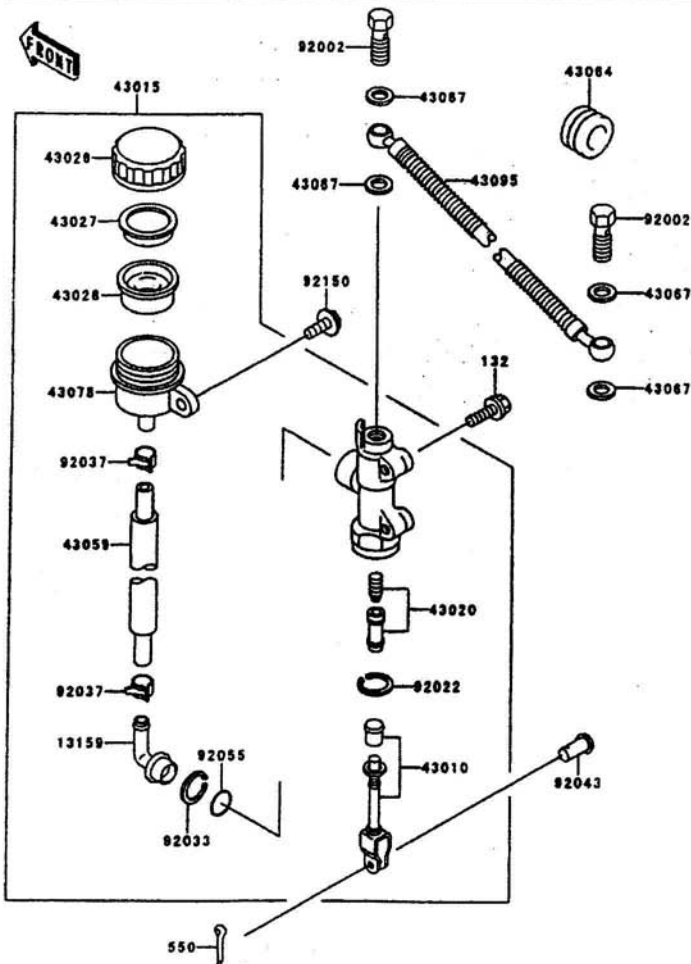
'99 KMX125-A12 Chassis

GRID NO.

E-5

This grid covers:

Rear Master Cylinder



Ref. No.	Part No.	Description	Spec Code	Quantity-KMX125	
				'99	A12
13159	13159-1056	CONNECTOR		1	
43010	43010-1059	ROD-ASSY-BRAKE		1	
43015	43015-1331	CYLINDER-ASSY-MASTER,RR		1	
43020	43020-1063	PISTON-COMP-BRAKE		1	
43026	43026-1062	CAP-BRAKE		1	
43027	43027-1053	PLATE-DIAPHRAGM		1	
43028	43028-1065	DIAPHRAGM		1	
43059	43059-1363	HOSE-BRAKE		1	
43064	43064-007	GROMMET,HOSE CLAMP		1	
43067	43067-001	WASHER,10.5X15X1.5		4	
43078	43078-1080	RESERVOIR		1	
43095	43095-1119	HOSE-BRAKE,RR		1	
92002	92002-1888	BOLT,OIL,L=23		2	
92022	92022-1601	WASHER,CIRCRIP		1	
92033	92033-1186	RING-SNAP,20.5MM		1	
92037	92037-1710	CLAMP		2	
92043	92043-1303	PIN,8MM		1	
92055	92055-1251	RING-O,MASTER CYLINDER		1	
92150	92150-1340	BOLT,6X14		1	
132	132E0816	BOLT-FLANGED-SMALL,8X16		2	
550	550D2015	PIN-COTTER,2.0X15		1	

This catalog covers:

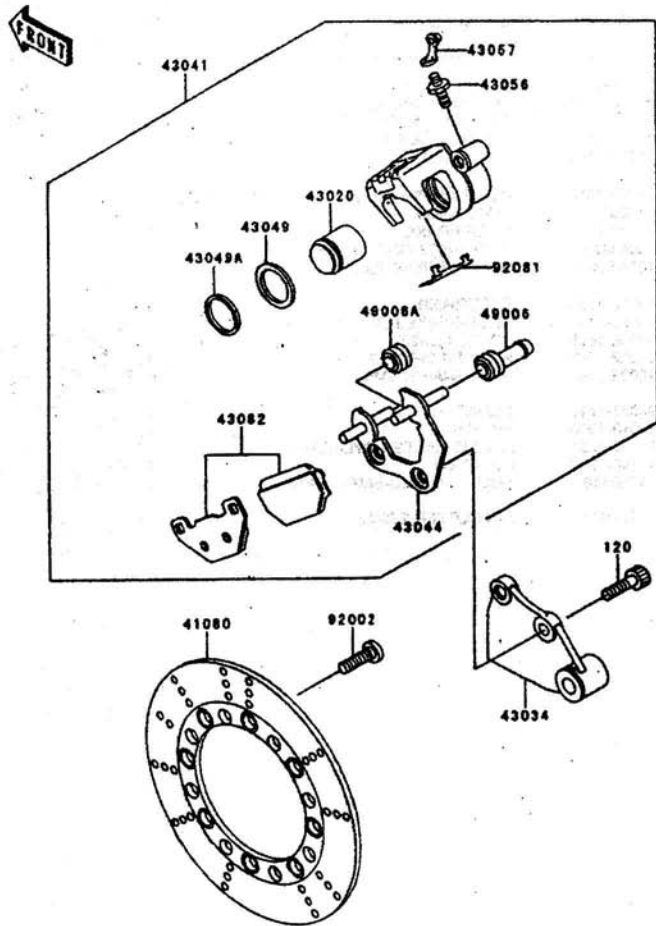
'99 KMX125-A12 Chassis

GRID NO.

E-6

This grid covers:

Rear Brake



F2284

Ref. No.	Part No.	Description	Spec Code	Quantity-KMX125	
				'99	A12
41080	41080-1174	DISC,RR			1
43020	43020-1117	PISTON-COMP-BRAKE			1
43034	43034-1092	HOLDER-BRAKE,REAR CALIPER			1
43041	43041-1673-GN	CALIPER-ASSY,RR,SILVER			1
43044	43044-1028	HOLDER-COMP-CALIPER			1
43049	43049-1016	PACKING			1
43049A	43049-1068	PACKING			1
43056	43056-1054	BREATHER-BRAKE			1
43057	43057-003	CAP-BREATHER			1
43082	43082-1209	PAD-ASSY-BRAKE			1
49006	49006-1054	BOOT,CALIPER			1
49006A	49006-1055	BOOT,CALIPER			1
92002	92002-1775	BOLT,6MM			8
92081	92081-1341	SPRING,PAD			1
120	120P0816	BOLT-SOCKET			2

This catalog covers:

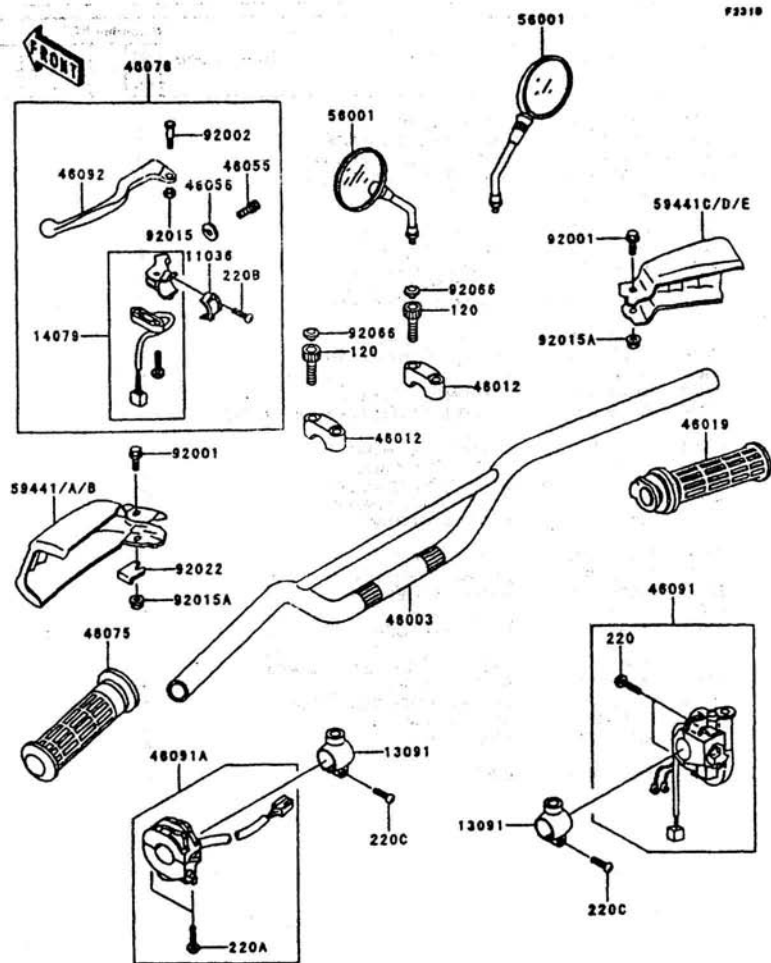
'99 KMX125-A12 Chassis

GRID NO.

E-7

This grid covers:

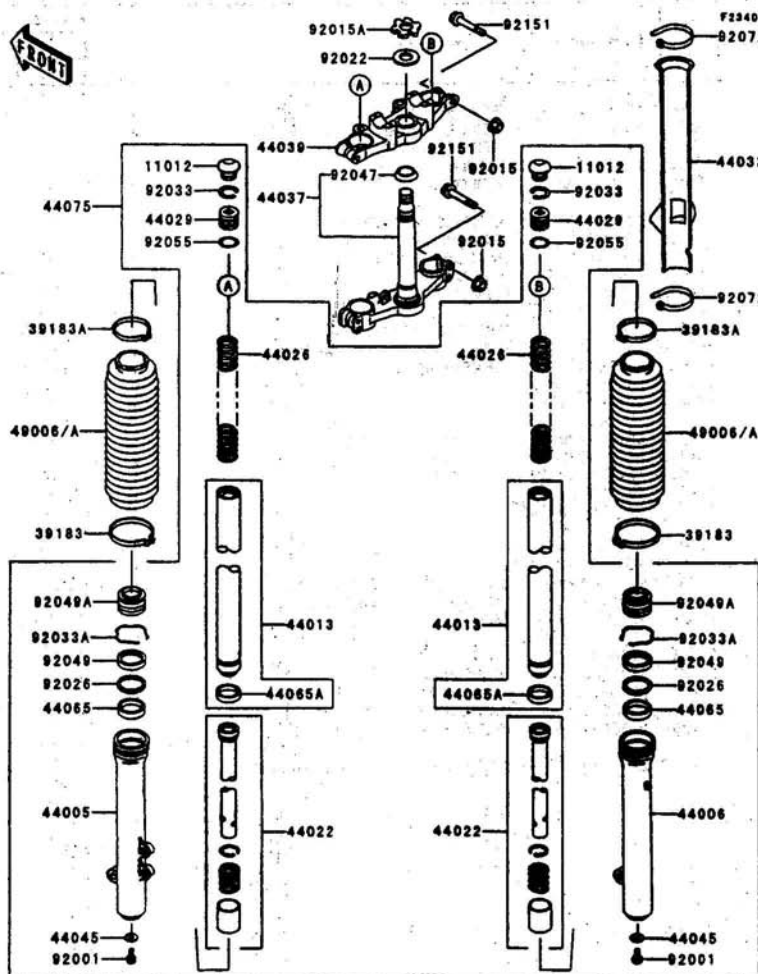
Handlebar



Ref. No.	Part No.	Description	Spec Code	Quantity-KMX125	
				'99	A12
11036	11036-1297	BRACKET-A,LEVER HOLDER		1	
13091	13091-1255	HOLDER,ENGINE STOP SWITCH		2	
14079	14079-1055	HOLDER-ASSY,CLUTCH		1	
46003	46003-1513	HANDLE		1	
46012	46012-1293	HOLDER-HANDLE,UPP		2	
46019	46019-1005	GRIP-ASSY,THROTTLE		1	
46055	46055-009	SCREW,CABLE ADJUST,8MM		1	
46056	46056-006	NUT,CABLE ADJUST		1	
46075	46075-1004	GRIP,LH		1	
46076	46076-1221	LEVER-ASSY-GRIP,CLUTCH		1	
46091	46091-1744	HOUSING-ASSY-CONTROL,RH		1	
46091A	46091-1745	HOUSING-ASSY-CONTROL,LH		1	
46092	46092-1159	LEVER-GRIP,CLUTCH		1	
56001	56001-1228	MIRROR-ASSY		2	
59441	59441-1089-RN	COVER-HANDLE,LH,BLUE 41		1	
59441A	59441-1089-6L	COVER-HANDLE,LH,F,RED		1	
59441B	59441-1089-6W	COVER-HANDLE,LH,L,GREEN		1	
59441C	59441-1090-RN	COVER-HANDLE,RH,BLUE 41		1	
59441D	59441-1090-6L	COVER-HANDLE,RH,F,RED		1	
59441E	59441-1090-6W	COVER-HANDLE,RH,L,GREEN		1	
92001	92001-1034	BOLT,FLANGED,6X10		2	
92002	92002-1880	BOLT,LEVER SET		1	
92015	92015-1191	NUT,LOCK,6MM,BLACK		1	
92015A	92015-1603	NUT,LOCK,FLANGED,6MM		2	
92022	92022-1896	WASHER		1	
92066	92066-1216	PLUG		4	
120	120P0830	BOLT-SOCKET,8X30		4	
220	220B0518	SCREW-PAN-CROS		2	
220A	220B0522	SCREW-PAN-CROS		2	
220B	220C0514	SCREW-PAN-CROS		2	
220C	220C0620	SCREW-PAN-CROS,6X20,BLACK		2	

This catalog covers:
 '99 KMX125-A12 Chassis

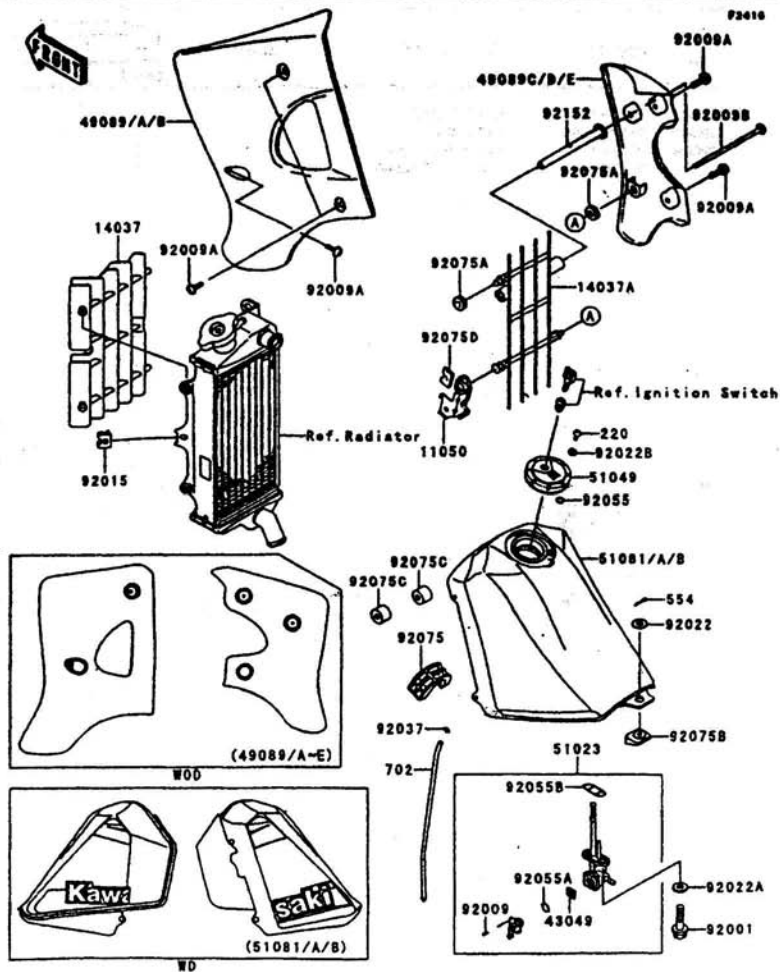
GRID NO. This grid covers:
E-8 Front Fork



Ref. No.	Part No.	Description	Spec Code	Quantity-KMX125	
				'99	A12
11012	11012-1564	CAP,FORK TOP		2	
39183	39183-1052	BAND-ASSY,BOOT,FORK		2	
39183A	39183-1053	BAND-ASSY,BOOT,FORK		2	
44005	44005-1397	PIPE-LEFT FORK OUTER		1	
44006	44006-1251	PIPE-RIGHT FORK OUTER		1	
44013	44013-1255	PIPE-FORK INNER		2	
44022	44022-1199	CYLINDER-FORK		2	
44026	44026-1684	SPRING-FRONT FORK		2	
44029	44029-1012	SEAT-FORK SPRING		2	
44033	44033-1184-6F	COVER-FORK,WHITE		1	
44037	44037-1388	HOLDER-FORK UNDER		1	
44039	44039-1290	HOLDER-FORK UPPER		1	
44045	44045-051	GASKET,FORK CYLINDER BOLT		2	
44065	44065-1020	BUSHING-FRONT FORK		2	
4065A	44065-1054	BUSHING-FRONT FORK,INNER PIPE		2	
4075	44075-1097	DAMPER-SET-FORK		1	
49006	49006-1205-BD	BOOT,FORK,BLACK		2	
49006A	49006-1205-VW	BOOT,FORK,J.S.VIOLET		2	
92001	92001-1464	BOLT,FORK CYLINDER		2	
92015	92015-1022	NUT,FLANGED,8MM		6	
92015A	92015-1224	NUT,FORK TOP		1	
92022	92022-1385	WASHER,FORK TOP		1	
92026	92026-1275	SPACER,OUTER TUBE		2	
92033	92033-1023	RING-SNAP		2	
92033A	92033-1219	RING-SNAP,FORK		2	
92047	92047-010	RACE,STEERING STEM BEARING		1	
92049	92049-1268	SEAL-OIL,FORK		2	
92049A	92049-1275	SEAL-OIL,FORK OUTER TUBE		2	
92055	92055-1367	RING-O,FORK TOP		2	
92072	92072-1237	BAND,L=250		2	
92151	92151-1443	BOLT		6	

This catalog covers:
'99 KMX125-A12 Chassis

GRID NO. This grid covers:
E-9 Fuel Tank



Ref. No.	Part No.	Description	Spec Code	Quantity-KMX125	
				'99	A12
11050	11050-1981	BRACKET,SHROUD			1
14037	14037-1104-RZ	SCREEN,RADIATOR,WHITE			1
14037A	14037-1259-RZ	SCREEN,RADIATOR,RH,WHITE			1
43049	43049-1017	PACKING,FUEL TAP LEVER			1
49089	49089-1142-RN	SHROUD-ENGINE,LH,BLUE 41			1
49089A	49089-1142-6L	SHROUD-ENGINE,LH,F.RED			1
49089B	49089-1142-6W	SHROUD-ENGINE,LH,L.GREEN			1
49089C	49089-1143-RN	SHROUD-ENGINE,RH,BLUE 41			1
49089D	49089-1143-6L	SHROUD-ENGINE,RH,F.RED			1
49089E	49089-1143-6W	SHROUD-ENGINE,RH,L.GREEN			1
51023	51023-1127	TAP-ASSY,FUEL			1
51049	51049-1077	CAP-TANK,FUEL			1
51081	51001-1553-1K	TANQUE GAS. SIN PINTAR			1
	51081-5148-7F	TANK-COMP-FUEL,L.GREEN			1
51081A	51081-5149-B1	TANK-COMP-FUEL,F.RED			1
51081B	51081-5150-TR	TANK-COMP-FUEL,BLUE 41			1
92001	92001-1091	BOLT,6X20			2
92009	92009-1123	SCREW,3X5			2
92009A	92009-1286	SCREW,6X10,WHITE			5
92009B	92009-1868	SCREW,6X125			1
92015	92015-1487	NUT			1
92022	92022-1137	WASHER,10.5X24X1.6			1
92022A	92022-183	WASHER,6.2X11X1.5			2
92022B	92022-1977	WASHER,5.1X10X1.0			2
92037	92037-1610	CLAMP			1
92055	92055-1023	RING-O			2
92055A	92055-1111	RING-O,FUEL TAP LEVER			1
92055B	92055-1112	RING-O,FUEL TAP PACKING			1
92075	92075-1151	DAMPER-FUEL TANK			1
92075A	92075-1629	DAMPER			2
92075B	92075-1831	DAMPER			1
92075C	92075-1934	DAMPER-FUEL TANK			2
92075D	92075-1967	DAMPER			1
92152	92152-1112	COLLAR,L=113			1
220	220D0510	SCREW-PAN-CROS			2
554	554A1000	PIN-SNAP,10MM			1
702	702A05650	TUBE-REBBER,5X650			1

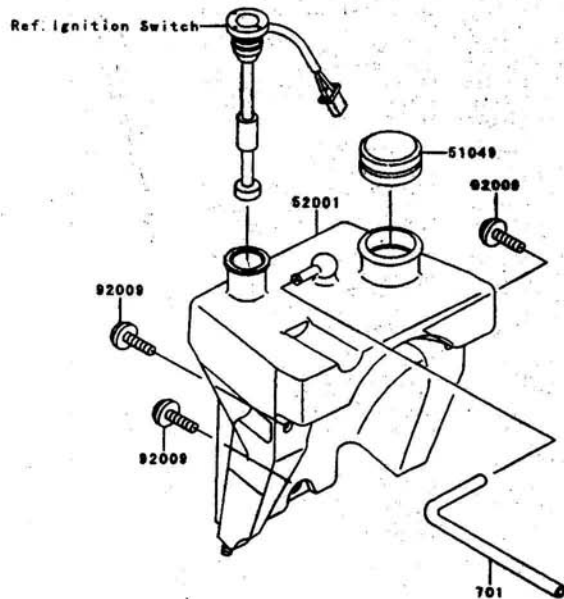
This catalog covers:
 '99 KMX125-A12 Chassis

GRID NO. This grid covers:
E-10 Oil Tank



F2460

Ref. No.	Part No.	Description	Spec Code	Quantity-KMX125			
				'99			
51049	51049-1004	CAP-TANK,OIL					1
52001	52001-1067	TANK-OIL					1
92009	92009-1273	SCREW,W/P,6X16					3
701	701Q05440	TUBE-PVC,5X440					1

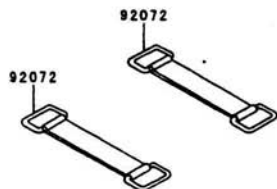
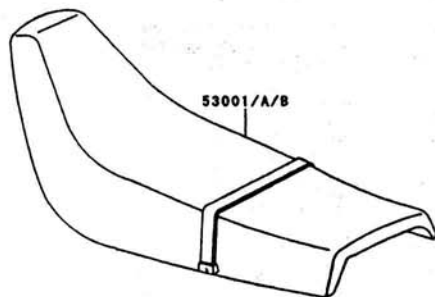


This catalog covers:

'99 KMX125-A12 Chassis

GRID NO. This grid covers:

E-11 Seat

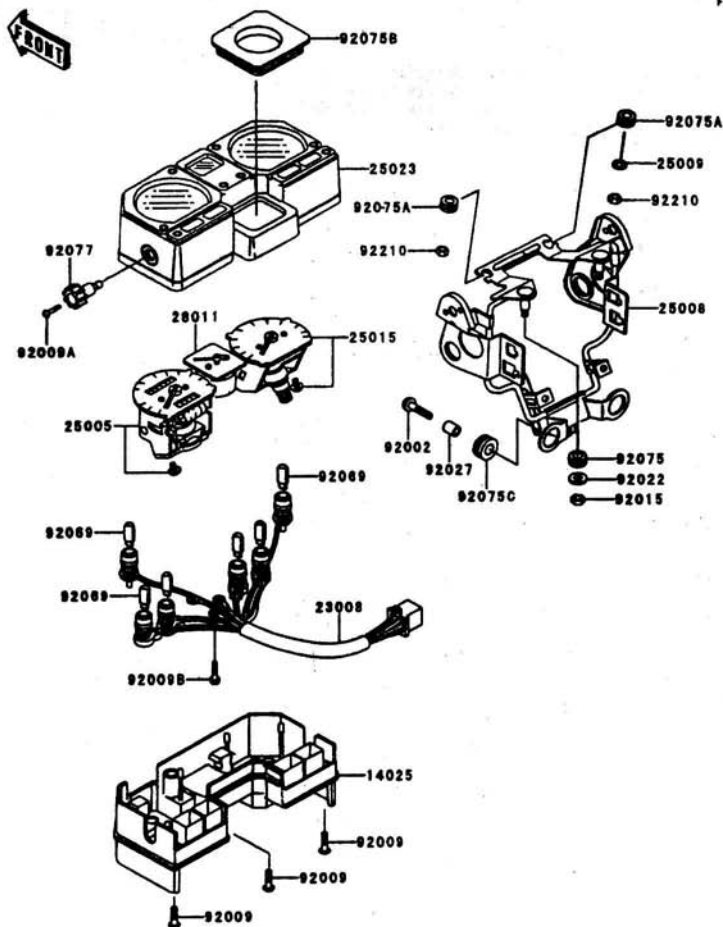


F2810

Ref. No.	Part No.	Description	Spec Code	Quantity-KMX125			
				'99			
53001	53001-1889-LQ	SEAT-ASSY,DUAL,BLACK/VIOLET					1
53001A	53001-1889-LU	SEAT-ASSY,DUAL,BLACK/D-RED					1
53001B	53001-1889-NK	SEAT-ASSY,DUAL,BLACK/BLUE 41					1
92072	92072-1006	BAND,L=64					2

This catalog covers:
'99 KMX125-A12 Chassis

GRID NO. This grid covers:
E-12 Meter(s)



F2630

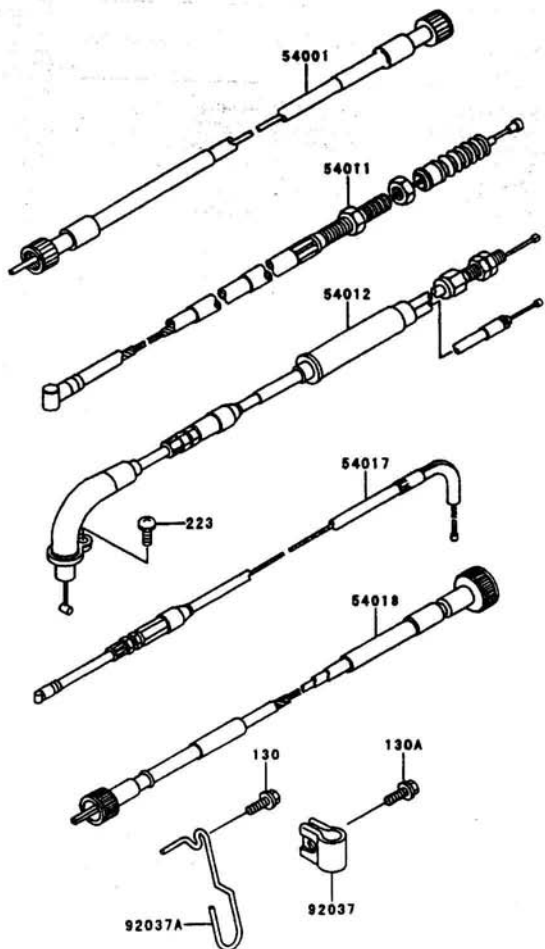
Ref. No.	Part No.	Description	Spec Code	Quantity-KMX125	
				'99	A12
14025	14025-1804	COVER,METER CASE,LWR		1	
23008	23008-1311	SOCKET-ASSY,METER		1	
25005	25005-1327	SPEEDOMETER,KPH		1	
25008	25008-1223	BRACKET-METER		1	
25009	25009-004	WASHER,5.2X16X1.2		1	
25015	25015-1257	TACHOMETER,X1000R/MIN		1	
25023	25023-1242	COVER-METER CASE,UPP		1	
28011	28011-1084	METER,TEMP		1	
92002	92002-1137	BOLT,6X25		2	
92009	92009-1163	SCREW,TAPPING,4X16		3	
92009A	92009-1172	SCREW,2X6,BLACK		1	
92009B	92009-1293	SCREW,3X22		3	
92015	92015-1391	NUT,6MM		2	
92022	92022-125	WASHER,6.5X20X1.6		2	
92027	92027-162	COLLAR,6.8X10X12		2	
92069	92069-1007	BULB,12V 3.4W		6	
92075	92075-024	DAMPER		2	
92075A	92075-1385	DAMPER,METER BRACKET		2	
92075B	92075-1578	DAMPER,IGNITION SWITCH		1	
92075C	92075-209	DAMPER		2	
92077	92077-1054	KNOB,METER		1	
92210	92210-1124	NUT,5MM		2	

This catalog covers:
'99 KMX125-A12 Chassis

GRID NO. This grid covers:

E-13 Cables

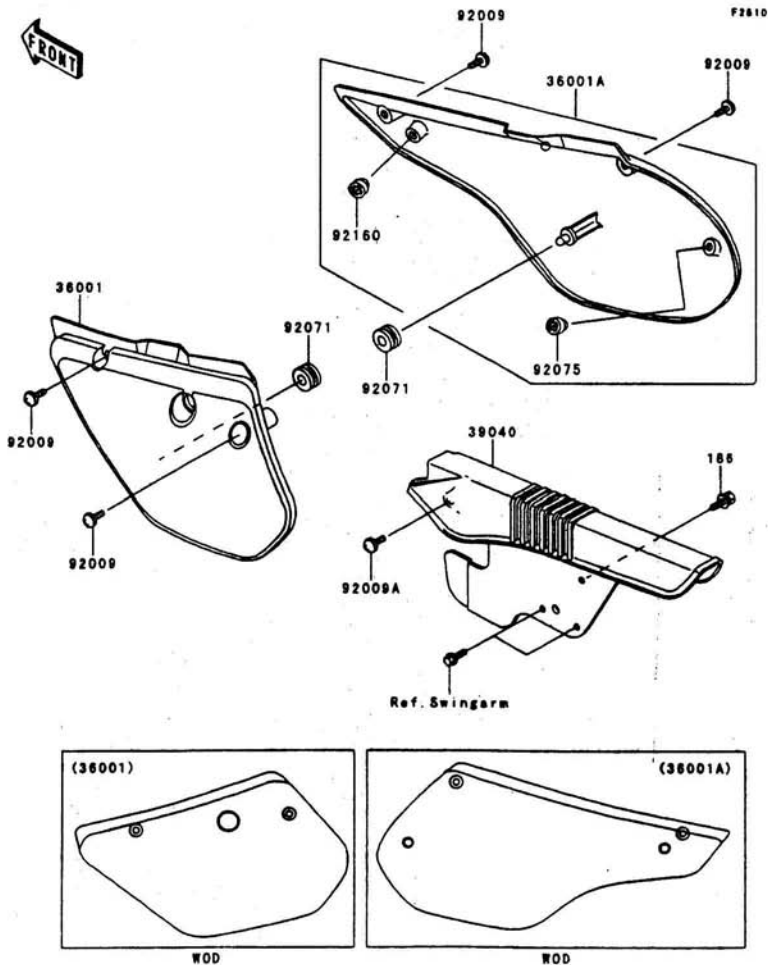
F2840



Ref. No.	Part No.	Description	Spec Code	Quantity-KMX125			
				'99			
54001	54001-1125	CABLE-SPEEDOMETER					1
54011	54011-1249	CABLE-CLUTCH					1
54012	54012-1304	CABLE-THROTTLE					1
54017	54017-1077	CABLE-STARTER					1
54018	54018-1058	CABLE-TACHOMETER					1
92037	92037-1777	CLAMP,CABLE					1
92037A	92037-1842	CLAMP,CABLE					1
130	130C0616	BOLT-FLANGED,6X16					1
130A	130D0612	BOLT-FLANGED					1
223	223C0510	SCREW-PAN-WS-CROS					1

This catalog covers:
 '99 KMX125-A12 Chassis

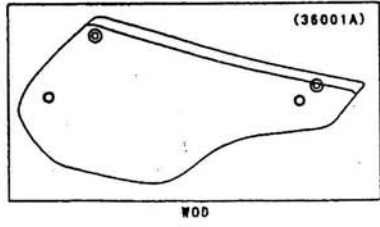
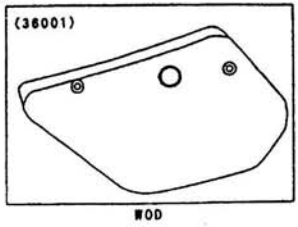
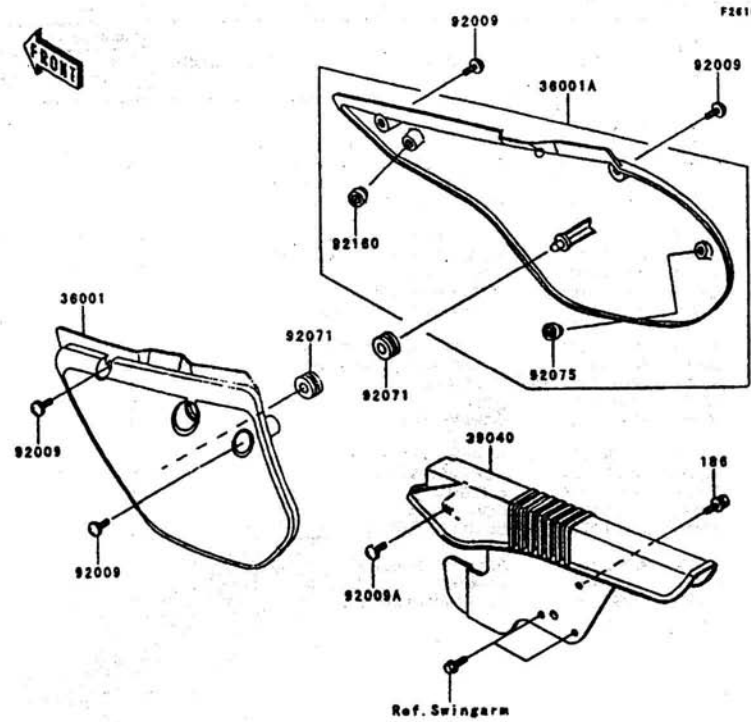
GRID NO. This grid covers:
E-14 Side Covers/Chain Cover(1/2)



Ref. No.	Part No.	Description	Spec Code	Quantity-KMX125			
				'99	A12		
36001	36001-1336-6F	COVER-SIDE,LH,P.WHITE		1			
36001A	36001-1337-6F	COVER-SIDE,RH,P.WHITE		1			
39040	39040-1057	COVER-ASSY-CHAIN CASE		1			
92009	92009-1286	SCREW,6X10,WHITE		4			
92009A	92009-1402	SCREW,6X10		1			

This catalog covers:
 '99 KMX125-A12 Chassis

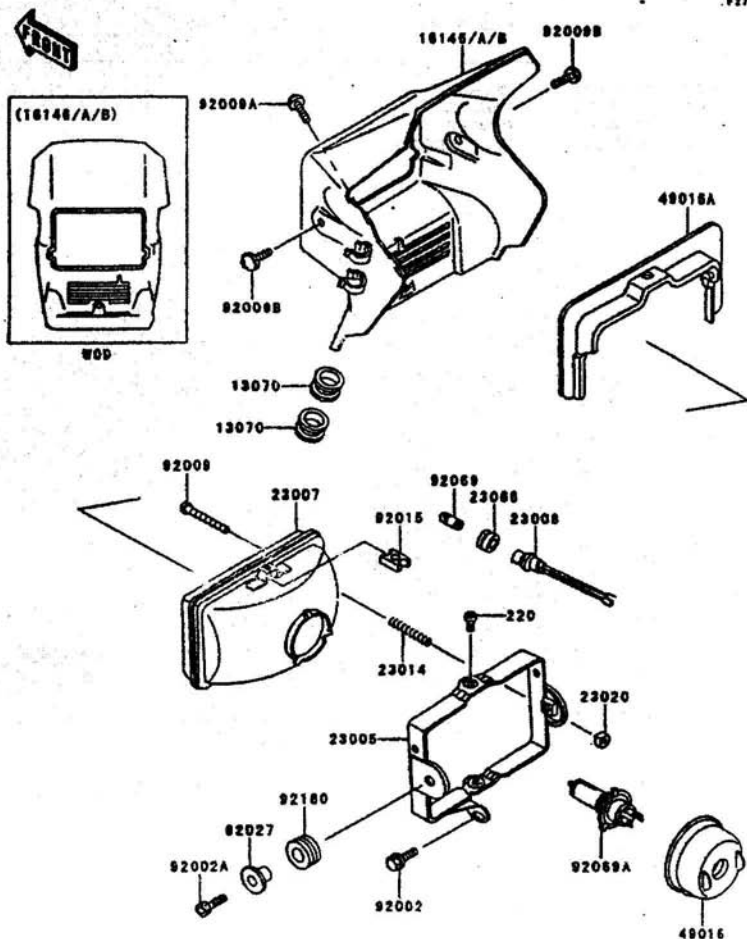
GRID NO. This grid covers:
F-3 Side Covers/Chain Cover(2/2)



Ref. No.	Part No.	Description	Spec Code	Quantity-KMX125	
				'99	A12
92071	92071-056	GROMMET		2	
92075	92075-1598	DAMPER		1	
92160	92160-1041	DAMPER		1	
186	186C0612	BOLT-UPSET-WP		1	

This catalog covers:
 '99 KMX125-A12 Chassis

GRID NO. This grid covers:
F-4 Headlight(s)



Ref. No.	Part No.	Description	Spec Code	Quantity-KMX125	
				'99	A12
13070	13070-1107	GUIDE,BRAKE HOSE			2
16146	16146-1068-RN	COVER-ASSY,HEAD LAMP,BLUE			1
16146A	16146-1068-6L	COVER-ASSY,HEAD LAMP,F.RED			1
16146B	16146-1068-6W	COVER-ASSY,HEAD LAMP,L.GREEN			1
23005	23005-1052	BODY-COMP-HEAD LAMP			1
23007	23007-1269	LENS-COMP HEAD LAMP			1
23008	23008-038	SOCKET-ASSY,PARKING LAMP			1
23014	23014-005	SPRING,FOCUS ADJUSTING			1
23020	23020-016	NUT,4MM,FOCUS ADJUST			1
23066	23066-008	DAMPER,PARKING LAMP			1
49016	49016-1037	COVER-SEAL,SOCKET			1
49016A	49016-1101	COVER-SEAL,HEAD LAMP			1
92002	92002-1124	BOLT,6X16			1
92002A	92002-1319	BOLT			2
92009	92009-1065	SCREW,4X48			1
92009A	92009-1287	SCREW,6X14,WHITE			1
92009B	92009-1294	SCREW,6X8			2
92015	92015-1354	NUT,5MM			2
92027	92027-1134	COLLAR,L=14			2
92069	92069-071	BULB,12V 4W			1
92069A	92069-1002	BULB,12V 60/55W,H4			1
92160	92160-1007	DAMPER			2
220	220B0508	SCREW-PAN-CROS,5X8			2

This catalog covers:

'99 KMX125-A12 Chassis

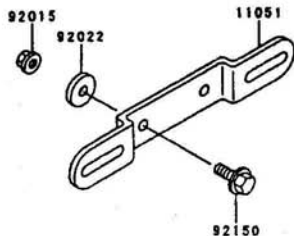
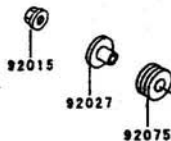
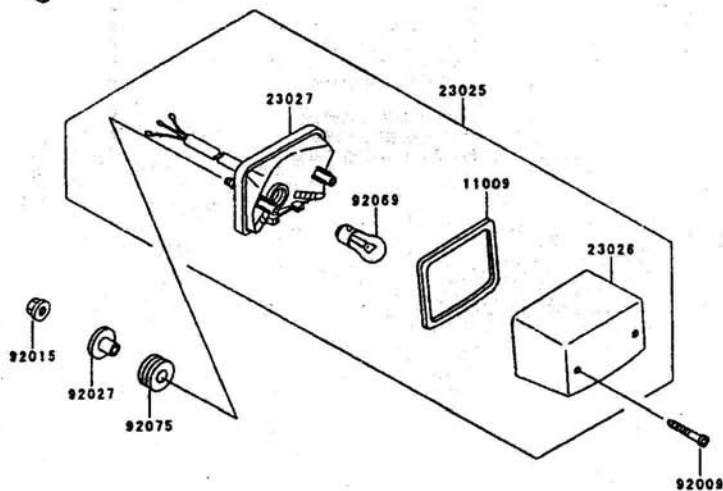
GRID NO.

F-5

This grid covers:

Taillight(s)

F2720



Ref. No.	Part No.	Description	Spec Code	Quantity-KMX125	
				'99	A12
11009	11009-1078	GASKET, TAIL LAMP LENS		1	
11051	11051-1522	BRACKET, LICENSE PLATE		1	
23025	23025-1146	LAMP-TAIL		1	
23026	23026-1013	LENS, TAIL LAMP		1	
23027	23027-1073	BODY-COMP-TAIL LAMP		1	
92009	92009-1056	SCREW, TAPPING, 4X30		2	
92015	92015-1367	NUT, FLANGED, 6MM		4	
92022	92022-1557	WASHER, 6.5X20X1.6		2	
92027	92027-251	COLLAR, L=13.1		2	
92069	92069-059	BULB, 12V 27/8W		1	
92075	92075-1690	DAMPER		2	
92150	92150-1909	BOLT, 6X16		2	

This catalog covers:

'99 KMX125-A12 Chassis

GRID NO.

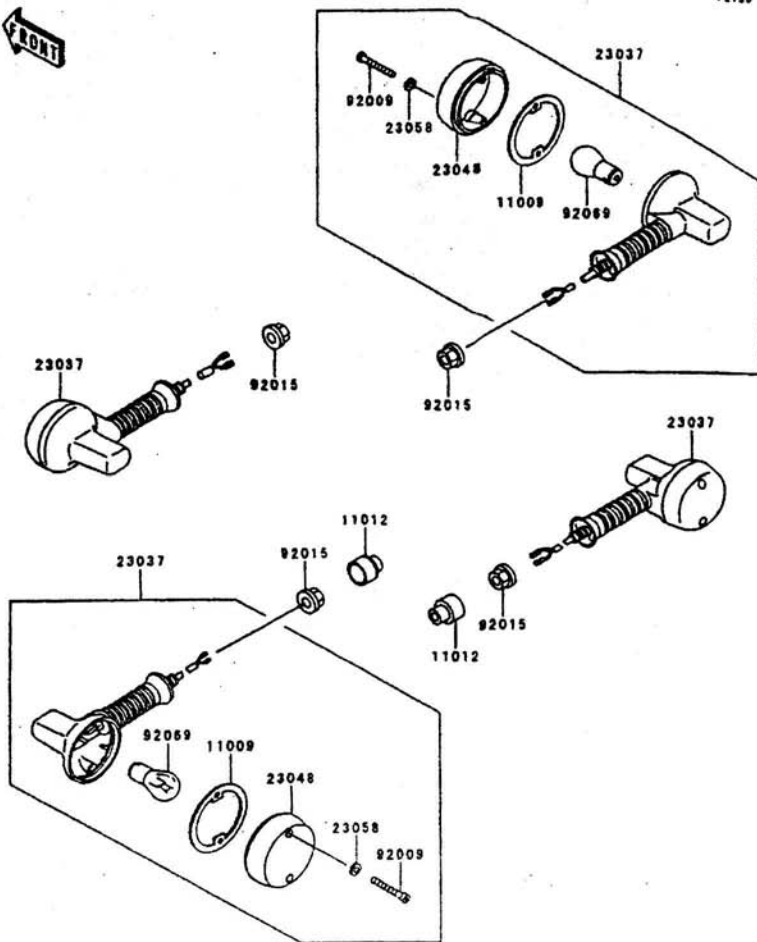
F-6

This grid covers:

Turn Signals

FRONT

F2130

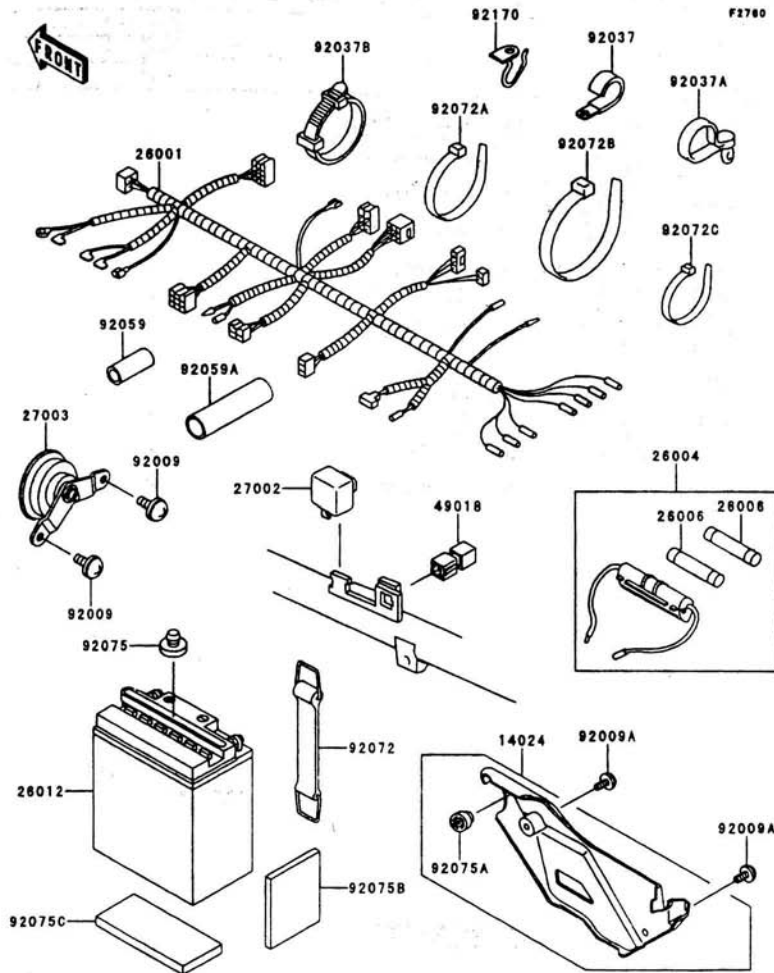


Ref. No.	Part No.	Description	Spec Code	Quantity-KMX125	
				'99	A12
11009	11009-1373	GASKET,SIGNAL LAMP		4	
11012	11012-1367	CAP,SIGNAL LAMP		2	
23037	23037-1229	LAMP-ASSY-SIGNAL		4	
23048	23048-1052	LENS-SIGNAL LAMP,"0770"		4	
23058	23058-002	WASHER,PLAIN,4MM		8	
92009	92009-1069	SCREW,TAPPING,4X25		8	
92015	92015-1428	NUT,FLANGED,10MM		4	
92069	92069-055	BULB,12V 32CP(23W)		4	

This catalog covers:
'99 KMX125-A12 Chassis

GRID NO.
F-7

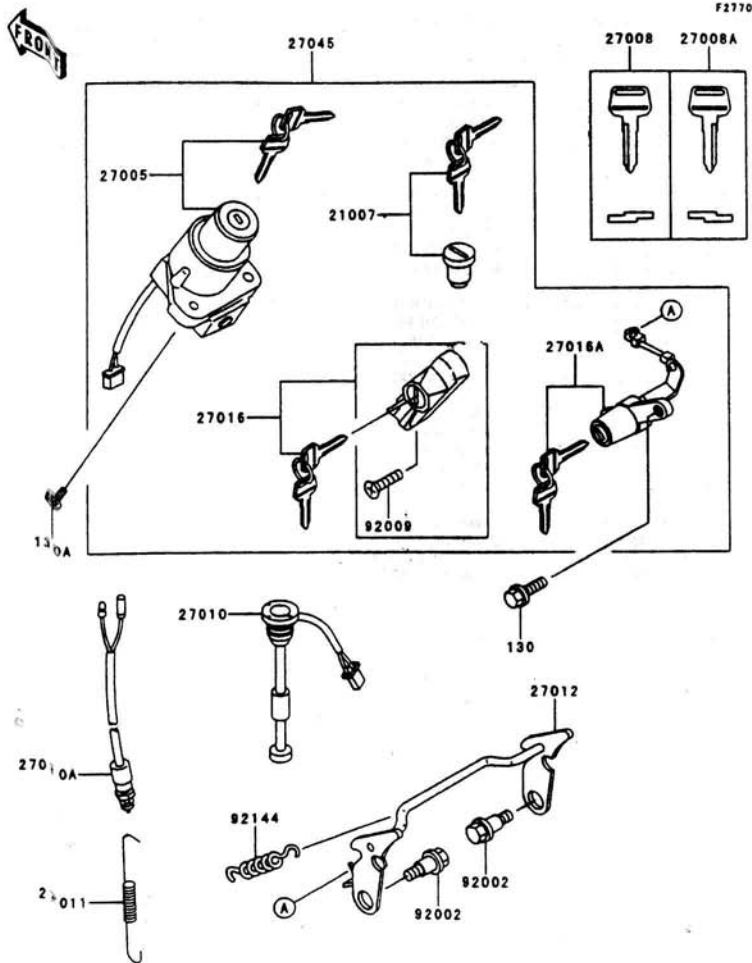
This grid covers:
Chassis Electrical Equipment



Ref. No.	Part No.	Description	Spec Code	Quantity-KMX125		
				'99	A12	
14024	14024-1543	COVER,BATTERY		1		
26001	26001-1925	HARNES,MAIN		1		
26004	26004-1074	FUSE-ASSY		1		
26006	26006-1056	FUSE,20A,L=30		2		
26012	26012-1365	BATTERY,FB4L-B,12V 4AH		1		
27002	27002-1053	RELAY-ASSY,TURN SIGNAL		1		
27003	27003-1306	HORN		1		
49018	49018-1052	DIODE		1		
92009	92009-4286	SCREW,6X10,WHITE		2		
92009A	92009-1661	SCREW,6X10		2		
92037	92037-1069	CLAMP,WIRING HARNESS,L=60		1		
92037A	92037-1163	CLAMP,SPEED,L=58		3		
92037B	92037-1483	CLAMP,BAND,L=120		3		
92059	92059-1799	TUBE,8X9X38		2		
92059A	92059-1878	TUBE,11X12X90		1		
92072	92072-071	BAND,L=100		1		
92072A	92072-1195	BAND,L=185		3		
92072B	92072-1197	BAND,L=365		1		
92072C	92072-1293	BAND,L=140		7		
92075	92075-005	DAMPER		1		
92075A	92075-1598	DAMPER		1		
92075B	92075-1727	DAMPER		1		
92075C	92075-1864	DAMPER,BATTERY		1		
92170	92170-1062	CLAMP,HARNESS		1		

This Catalog covers:
 '99 KMX125-A12 Chassis

GRID NO. This grid covers:
F-8 Ignition Switch

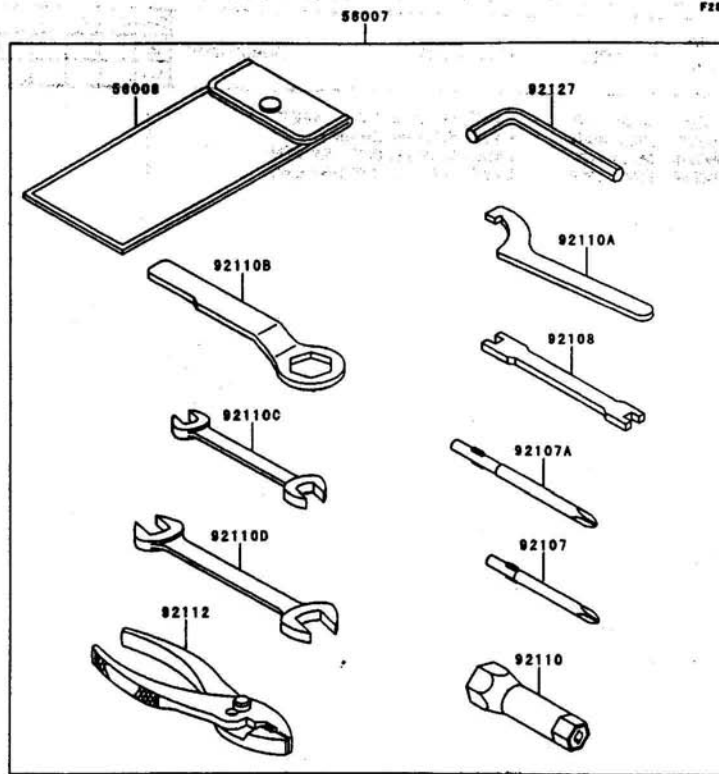


Ref. No.	Part No.	Description	Spec Code	Quantity-KMX125	
				'99	A12
21007	21007-5022	ROTOR,LOCK,TANK CAP		1	
27005	27005-1226	SWITCH-ASSY-IGNITION		1	
27008	27008-1034	KEY-LOCK,BLANK,#A		1	
27008A	(OPTION) 27008-1035	KEY-LOCK,BLANK,#B		1	
27010	(OPTION) 27010-1041	SWITCH,OIL LEVEL		1	
27010A	27010-1215	SWITCH,BRAKE LAMP		1	
27011	27011-021	SPRING,BRAKE LAMP SWITCH		1	
27012	27012-1389	HOOK,SEAT		1	
27016	27016-5029	LOCK-ASSY,HELMET		1	
27016A	27016-5115	LOCK-ASSY,SEAT		1	
27045	27045-1068	SWITCH-ASSY		1	
92002	92002-1596	BOLT,8MM		2	
92009	92009-1547	SCREW,5X18		2	
92144	92144-1120	SPRING		1	
130	130H0608	BOLT-FLANGED		2	
130A	130H0614	BOLT-FLANGED,6X14		2	

This catalog covers:
 '99 KMX125-A12 Chassis

GRID NO.
F-9

This grid covers:
 Owner's Tools



Ref. No.	Part No.	Description	Spec Code	Quantity-KMX125	
				'99	A12
56007	56007-1330	TOOLKIT		1	
56008	56008-1007	BAG,TOOL		1	
56019	56019-108-B1	PAINT,1/12L,F.RED		1	
56019A	56019-108-TR	PAINT,1/12L,BLUE 41		1	
56019B	56019-108-7F	PAINT,1/12L,L.GREEN		1	
56019C	56019-120	THREE BOND TB1211,HT/RS,WHITE		1	
92104	92104-1093	GASKET-LIQUID,TUBE,100G,BLACK		1	
92107	92107-005	TOOL-DRIVER,#3PHILLIPS		1	
92107A	92107-1053	TOOL-DRIVER,#2PHILLIPS		1	
92108	92108-011	TOOL-WRENCH,SPOKE		1	
92110	92110-1113	TOOL-WRENCH,BOX,21MM		1	
92110A	92110-1129	TOOL-WRENCH,HOOK		1	
92110B	92110-1148	TOOL-WRENCH,BOX END,22MM		1	
92110C	92110-1152	TOOL-WRENCH,OPEN END,10X12		1	
92110D	92110-1153	TOOL-WRENCH,OPEN END,14X17		1	
92112	92112-1001	TOOL-PLIERS		1	
92127	92127-003	TOOL-WRENCH,ALLEN,6MM		1	

This catalog covers:

'99 KMX125-A12 Chassis

GRID NO.

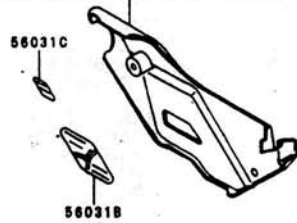
F-10

This grid covers:

Labels



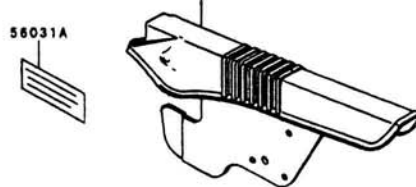
Ref. Chassis Electrical Equipment



Ref. Side Covers/Chain Cover



Ref. Side Covers/Chain Cover



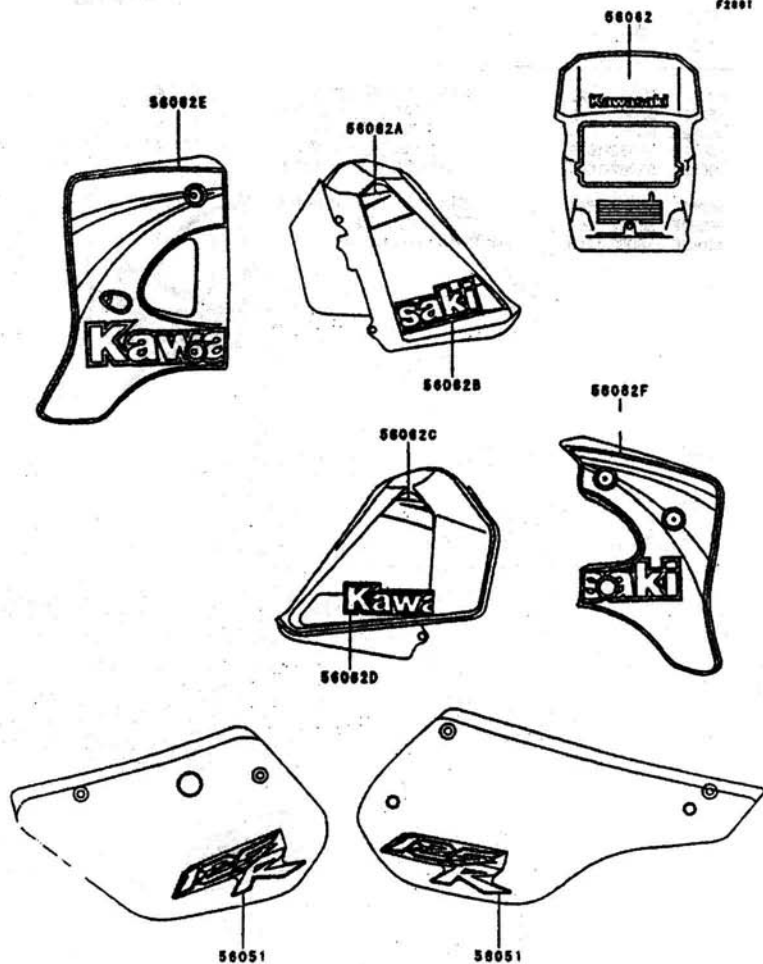
F2000

Ref. No.	Part No.	Description	Spec Code	Quantity-KMX125			
				'99			
56031	56031-1491	LABEL-MANUAL_DAILY SAFETY					1
56031A	56031-1494	LABEL-MANUAL_CHAIN					1
56031B	56031-1497	LABEL-MANUAL_BATTERY VENT					1
56031C	56031-1506	LABEL-MANUAL_BATTERY LEAD					1

This catalog covers:
 '99 KMX125-A12 Chassis

GRID NO. This grid covers:
F-11 Decals(Green)

F2001

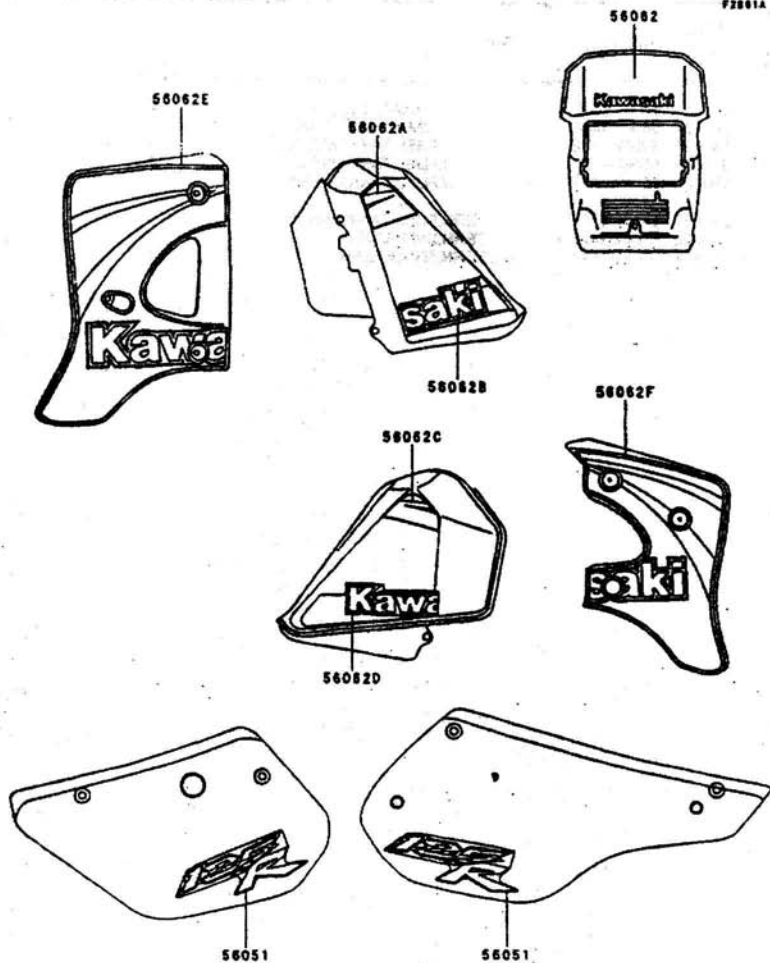


Ref. No.	Part No.	Description	Spec Code	Quantity-KMX125	
				'99	A12
56051	56051-1922	MARK,SIDE COVER,125 R			2
56062	56062-1446	PATTERN,HEAD LAMP COVER			1
56062A	56062-1672	PATTERN,FUEL TANK,UPL,LH			1
56062B	56062-1673	PATTERN,FUEL TANK,LWR,LH			1
56062C	56062-1674	PATTERN,FUEL TANK,UPL,RH			1
56062D	56062-1675	PATTERN,FUEL TANK,LWR,RH			1
56062E	56062-1676	PATTERN,SHROUD,LH			1
56062F	56062-1677	PATTERN,SHROUD,RH			1

This catalog covers:
 '99 KMX125-A12 Chassis

GRID NO. This grid covers:
F-12 Decals(Red)

F2881A



Ref. No.	Part No.	Description	Spec Code	Quantity-KMX125	
				'99	A12
56051	56051-1922	MARK,SIDE COVER,125 R			2
56062	56062-1446	PATTERN,HEAD LAMP COVER			1
56062A	56062-1678	PATTERN,FUEL TANK,UPP,LH			1
56062B	56062-1678	PATTERN,FUEL TANK,LWR,LH			1
56062C	56062-1680	PATTERN,FUEL TANK,UPP,RH			1
56062D	56062-1681	PATTERN,FUEL TANK,LWR,RH			1
56062E	56062-1682	PATTERN,SHROUD,LH			1
56062F	56062-1683	PATTERN,SHROUD,RH			1

This catalog covers:

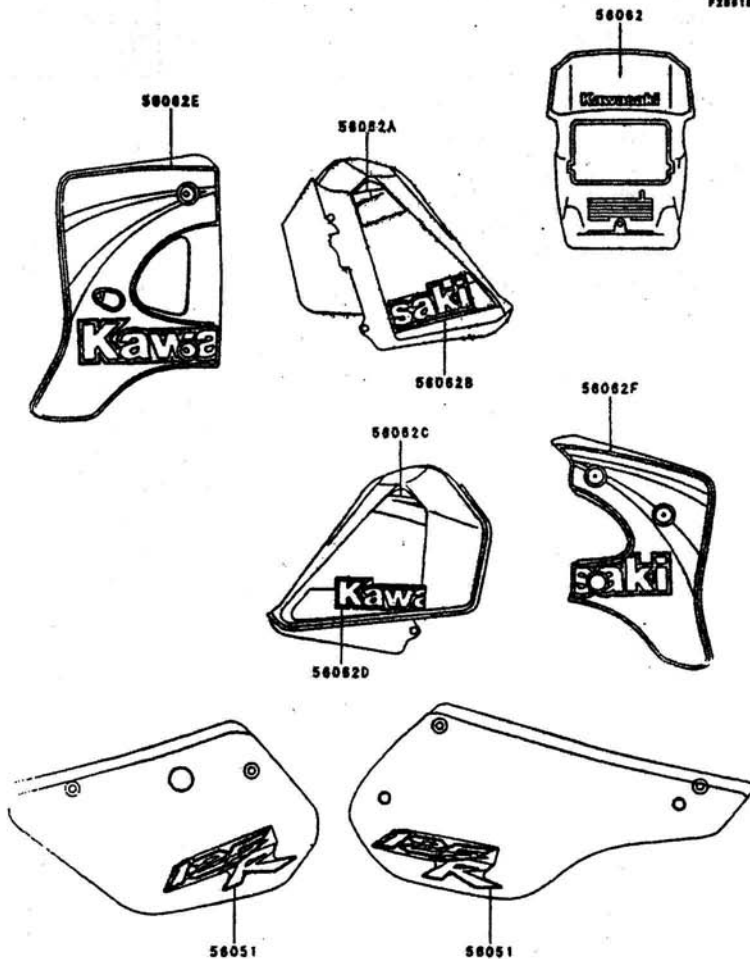
'99 KMX125-A12 Chassis

GRID NO.

F-13

This grid covers:

Decals(Blue)



F28010

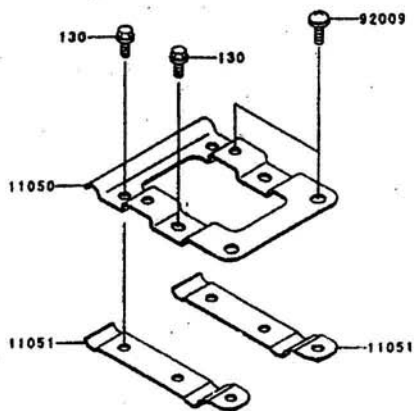
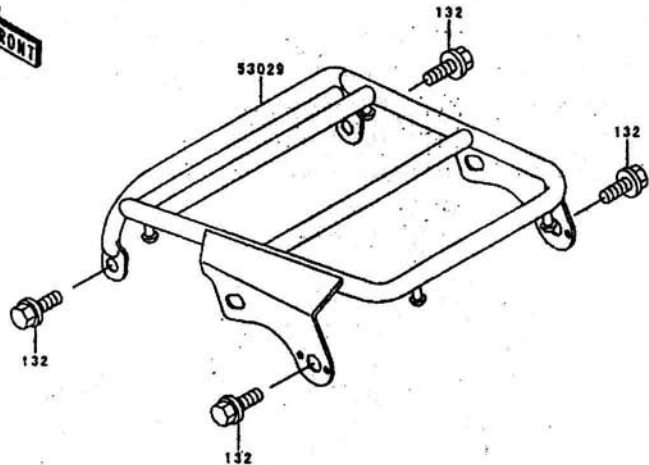
Ref. No.	Part No.	Description	Spec Code	Quantity-KMX125	
				'99	A12
58051	58051-1922	MARK,SIDE COVER,125 R			2
58062	58062-1446	PATTERN,HEAD LAMP COVER			1
58062A	58062-1684	PATTERN,FUEL TANK,UPP,LH			1
58062B	58062-1685	PATTERN,FUEL TANK,LWR,LH			1
58062C	58062-1686	PATTERN,FUEL TANK,UPP,RH			1
58062D	58062-1687	PATTERN,FUEL TANK,LWR,RH			1
58062E	58062-1688	PATTERN,SHROUD,LH			1
58062F	58062-1689	PATTERN,SHROUD,RH			1

This catalog covers:

'99 KMX125-A12 Chassis

GRID No. This grid covers:

F-14 Accessory



F2910

Ref. No.	Part No.	Description	Spec Code	Quantity-KMX125	
				'99	A12
11050	11050-1998 (OPTION)	BRACKET,BAG,UPP		1	
11051	11051-1054 (OPTION)	BRACKET,BAG,LWR		2	
53029	53029-1074	CARRIER		1	
92009	92009-1287 (OPTION)	SCREW,6X14,WHITE		4	
130	130H0610 (OPTION)	BOLT-FLANGED,6X10		4	
132	132E0812	BOLT-FLANGED-SMALL		4	

This catalog covers:

'99 KMX125-A12

GRID NO.

F-16

This grid covers:

Part Name Index

Accessory.....	F-14
Air Cleaner.....	B-4
Brake Pedal.....	D-13
Cables.....	E-13
Carburetor.....	C-3/C-4
Chain Cover.....	E-14/F-3
Chassis Electrical Equipment.....	F-7
Clutch.....	B-8
Crankcase.....	B-12
Crankshaft.....	B-6
Cylinder.....	B-3
Cylinder Head.....	B-3
Decals(Blue).....	F-13
Decals(Green).....	F-11
Decals(Red).....	F-12
Engine Cover(s).....	B-13/B-14
Fenders.....	D-8
Footrests.....	D-7
Frame.....	D-3
Frame Fittings.....	D-4
Front Brake.....	E-4
Front Fork.....	E-8
Front Hub.....	D-11
Front Master Cylinder.....	E-3
Fuel Tank.....	E-9
Gear Change Drum.....	B-10
Gear Change Mechanism.....	B-11
Generator.....	C-6

Handlebar.....	E-7
Headlight(s).....	F-4
Ignition Switch.....	F-8
Ignition System.....	C-7
Kickstarter Mechanism.....	B-7
Labels.....	F-10
Meter(s).....	E-12
Muffler(s).....	B-5
Oil Pump.....	C-5
Oil Tank.....	E-10
Owner's Tools.....	F-9
Piston(s).....	B-6
Radiator.....	C-8
Rear Brake.....	E-6
Rear Hub.....	D-12
Rear Master Cylinder.....	E-5
Seat.....	E-11
Shift Fork(s).....	B-10
Shock Absorber(s).....	D-14
Side Covers.....	E-14/F-3
Stand(s).....	D-9
Suspension.....	D-6
Swingarm.....	D-5
Taillight(s).....	F-5
Tires.....	D-10
Transmission.....	B-9
Turn Signals.....	F-6

This catalog covers:
 '99 KMX125-A12

GRID NO. This grid covers:
L-14 Numerical Parts Index

Part No.	Grid No.	Part No.	Grid No.	Part No.	Grid No.	Part No.	Grid No.	Part No.	Grid No.	Part No.	Grid No.
11001-1493	B-3	13031-1279	B-6	13129-1793	B-9	132J0612	C-5	172G0822	B-3	26006-1056	F-7
11004-1151	B-3	13033-1051	B-6	13129-1795	B-9	132J0616	B-3	18002-1888	B-5	26012-1365	F-7
11005-1886	B-3	13034-1070	B-6	13129-1796	B-9	132J0620	C-4	18046-1066	B-5	27002-1053	F-7
11009-1078	F-5	13035-1064	B-6	13129-1925	B-9	132J0620	C-8	18065-007	B-5	27003-1306	F-7
11009-1145	C-8	13037-1281	B-6	13140-1247	B-10	14002-1473	B-12	18090-1219	B-5	27005-1226	F-8
11009-1147	C-3	13037-1354	B-6	13140-1264	B-10	14002-1487	B-12	186C0612	F-3	27008-1034	F-8
11009-1373	F-6	13044-5069	B-6	13140-1265	B-10	14014-1066	B-10	187B0620	C-6	27008-1035	F-8
11009-1880	B-3	13061-1047	B-7	13141-1161	B-10	14024-1365	B-5	187C0616	C-7	27010-1041	F-8
11009-1941	B-3	13064-1128	B-7	13144-1071	B-9	14024-1543	F-7	21003-1161	C-6	27010-1170	E-3
11009-1942	B-13	13066-1066	B-7	13145-1084	B-10	14024-1706-6F	D-5	21007-1151	C-6	27010-1215	F-8
11009-1952	B-13	13070-1034	B-7	13151-1080	B-10	14024-1766-6F	E-4	21007-5022	F-8	27010-1247	D-9
11009-1992	B-5	13070-1107	F-4	13159-1056	E-5	14025-1904	E-12	21066-1039	C-6	27011-021	F-8
11009-1998	B-13	13070-1122	B-13	13161-1132	B-11	14026-1259	B-13	21119-1240	C-7	27012-1389	F-8
11012-1084	C-8	13078-1004	B-7	13164-1001	B-6	14031-1246	B-13	21121-1147	C-7	27016-5029	F-8
11012-1367	F-6	13087-1021	B-8	13165-1034	B-11	14032-1491	B-13	21130-009	C-7	27016-5115	F-8
11012-1513	B-3	13088-1016	B-8	13168-1248	B-13	14037-1104-RZ	E-9	220B0508	F-4	27045-1068	F-8
11012-1514	B-4	13088-1077	B-8	13169-1226	C-3	14037-1259-RZ	E-9	220B0510	D-4	28011-1084	E-12
11012-1527	B-5	13089-1012	B-8	13169-1929	C-3	14073-1263	B-4	220B0516	C-5	290C0808	B-7
11012-1529	D-5	13091-1255	E-7	13183-1044	B-13	14079-1055	E-7	220B0518	E-7	311G0600	B-11
11012-1556	B-4	13091-1429	B-4	13183-1045	B-13	14090-1442	B-3	220B0522	E-7	314G1200	D-6
11012-1559	D-4	13091-1430	C-5	13183-1059	B-13	14091-1053	B-3	220B0528	C-5	32029-1482	D-4
11012-1564	E-8	13091-1459	B-4	13183-1060	B-13	15001-1734	C-3	220C0306	B-14	32029-1483	D-4
11012-1670	D-10	13095-1210	B-8	13183-1066	B-10	16002-011	C-3	220C0514	E-7	32085-1437	E-4
11013-1147	B-4	13097-1264	B-6	13183-1274	B-8	16003-006	C-3	220C0614	B-5	320G1200	D-11
11013-1151	B-4	130C0616	E-13	13187-1013	B-8	16004-025	C-3	220C0620	E-7	32150-1070	B-12
11036-1297	E-7	130D0612	E-13	13206-1057	B-7	16006-023	C-3	220D0510	E-9	32160-1594-10	D-3
11050-1981	E-9	130D0616	D-5	13216-1121	B-6	16007-023	C-3	223B0416	C-4	32160-1594-CC	D-3
11050-1998	F-14	130G0516	B-3	13236-1146	B-11	16008-010	C-3	223B0514	C-7	33001-1386-CE	D-5
11051-1054	F-14	130G0525	B-3	13236-1250	B-13	16009-1325	C-3	223C0510	E-13	33032-1132	D-5
11051-1522	F-5	130G0530	B-3	13242-1292	B-11	16012-1058	C-3	224B0618	B-4	33040-1071	D-5
11060-1165	B-3	130G0612	B-4	13271-1052	B-9	16014-1031	C-3	23005-1052	F-4	33040-1072	D-5
11060-1155	C-5	130G0614	D-3	132E0620	B-5	16016-002	C-3	23007-1269	F-4	34003-1263-10	D-7
11060-1156	B-3	130G0614	E-4	132E0620	D-8	16017-1320	C-3	23008-038	F-4	34003-1263-CC	D-7
11060-1157	B-3	130G0850	B-3	132E0620	E-3	16021-1042	C-3	23008-1311	E-12	34003-1264-10	D-7
11060-1158	B-3	130H0608	F-8	132E0630	D-8	16025-1129	C-3	23014-005	F-4	34003-1264-CC	D-7
11060-1159	B-13	130H0610	F-14	132E0812	F-14	16029-004	C-3	23020-018	F-4	34024-1368	D-9
11060-1160	C-5	130H0614	F-8	132E0816	D-7	16030-1053	C-3	23025-1146	F-5	34028-009	D-7
11060-1301	B-5	130H0640	D-5	132E0816	E-5	16031-1005	C-3	23026-1013	F-5	34028-1235	D-7
12005-1057	B-3	130J0520	B-14	132G0608	B-14	16032-003	C-3	23027-1073	F-5	34028-1315	D-7
12005-1060	B-3	13102-1082	B-8	132G0614	B-6	16034-001	C-3	23037-1229	F-6	35004-1194-6L	D-8
12021-1063	B-3	13107-1180	B-6	132G0614	B-7	16065-1145	C-3	23048-1052	F-6	35004-1194-6W	D-8
12022-1058	B-3	13107-1234	B-13	132G0625	B-14	16082-1081	C-5	23058-002	F-6	35004-1194-RN	D-8
12053-1104	D-5	13127-1138	B-9	132G0635	B-14	16087-1001	C-5	23066-008	F-4	35019-1180	D-8
120P0816	E-6	13128-1233	B-9	132G0640	B-14	16115-1053	B-13	25005-1327	E-12	35019-1185	D-8
120P0830	E-7	13129-1559	B-9	132G0645	B-14	16142-1154	B-13	25008-1223	E-12	35023-1171-6L	D-8
120Q0608	B-9	13129-1788	B-9	132G0650	B-12	16146-1068-6L	F-4	25009-004	E-12	35023-1171-6W	D-8
120S0510	B-5	13129-1789	B-9	132G0680	B-12	16146-1068-6W	F-4	25015-1257	E-12	35023-1171-RN	D-8
13001-1235	B-6	13129-1790	B-9	132G0665	B-14	16146-1068-RN	F-4	25023-1242	E-12	36001-1336-6F	E-14
13002-1003	B-6	13129-1791	B-9	132G0675	B-12	16160-1119	B-4	26001-1925	F-7	36001-1337-6F	E-14
13008-1079	B-6	13129-1792	B-9	132G0810	B-14	172G0612	B-11	26004-1074	F-7	39007-1116	D-6

This catalog covers:

'99 KMX125-A12

GRID NO.

This grid covers:

L-15

Numerical Parts Index

Part No.	Grid No.	Part No.	Grid No.	Part No.	Grid No.	Part No.	Grid No.	Part No.	Grid No.	Part No.	Grid No.
39040-1057	E-14	43026-1074	E-3	46056-006	E-7	49114-1058	B-13	56062-1672	F-11	92001-1034	E-7
39061-1125	C-8	43027-1053	E-5	46075-1004	E-7	49114-1059	B-13	56062-1673	F-11	92001-1091	E-9
39062-1086	C-8	43028-1061	E-3	46076-1221	E-7	51023-1127	E-9	56062-1674	F-11	92001-1455	B-11
39062-1189	C-8	43028-1065	E-5	46091-1744	E-7	51049-1004	E-10	56062-1675	F-11	92001-1457	D-13
39062-1208	C-8	43034-1016	E-3	46091-1745	E-7	51049-1077	E-9	56062-1676	F-11	92001-1464	E-8
39062-1288	C-8	43034-1092	E-6	46092-1140	E-3	51081-5148-7F	E-9	56062-1677	F-11	92001-1763	C-8
39062-1289	C-8	43041-1673-GN	E-6	46092-1159	E-7	51081-5149-B1	E-9	56062-1678	F-12	92001-1771	D-8
39129-1001	B-13	43041-1689-GN	E-4	46098-018	D-3	51081-5150-TR	E-9	56062-1679	F-12	92002-1124	F-4
39183-1052	E-8	43044-1028	E-6	46102-1049	B-8	510A3200	B-10	56062-1680	F-12	92002-1137	E-12
39183-1053	E-8	43044-1119	E-4	46102-1218	D-6	510A3200	B-6	56062-1681	F-12	92002-1178	E-4
41009-1223	D-10	43048-1073	E-4	480J1200	B-7	52001-1067	E-10	56062-1682	F-12	92002-1187	D-8
41009-1224	D-10	43049-1016	E-6	480J1500	B-7	52005-1055	B-13	56062-1683	F-12	92002-1222	B-3
41022-1004	D-10	43049-1017	E-9	480J1600	B-7	52014-1061	B-3	56062-1684	F-13	92002-1237	B-11
41022-1118	D-10	43049-1067	E-4	480J2000	B-8	52014-1062	B-13	56062-1685	F-13	92002-1242	B-5
41023-1069	D-10	43049-1068	E-4	481J3500	D-11	53001-1889-LQ	E-11	56062-1686	F-13	92002-1319	F-4
41023-1076	D-10	43049-1068	E-6	482J0100	B-14	53001-1889-LU	E-11	56062-1687	F-13	92002-1323	E-3
41025-1204	D-10	43056-1054	E-4	482J0100	B-7	53001-1889-NK	E-11	56062-1688	F-13	92002-1596	F-8
41025-1205	D-10	43056-1054	E-6	482J4000	B-3	53029-1074	F-14	56062-1689	F-13	92002-1750	D-6
41029-1163	D-10	43057-003	E-4	482J6000	C-5	54001-1125	E-13	59026-1079	C-7	92002-1757	D-6
41029-1164	D-10	43057-003	E-6	482J8000	B-6	54011-1249	E-13	59051-1164	B-7	92002-1775	E-6
41029-1169	D-10	43059-1363	E-5	49002-1075	B-3	54012-1304	E-13	59051-1167	B-13	92002-1813	D-9
41029-1170	D-10	43064-007	E-5	49006-1040	E-3	54017-1077	E-13	59051-1168	C-5	92002-1839	D-6
41032-1078	D-10	43067-001	E-3	49006-1054	E-4	54018-1058	E-13	59051-1185	B-13	92002-1840	D-6
41034-1294	D-11	43077-1086	D-13	49006-1054	E-6	55020-1231	D-4	59051-1236	B-7	92002-1879	E-3
41034-1295	D-12	43078-1076	C-8	49006-1055	E-6	55020-1232	D-5	59256-1063	B-13	92002-1880	E-7
41060-1101	D-11	43078-1076	C-8	49006-1055	E-4	55020-1318	D-3	59441-1089-6L	E-7	92002-1888	E-3
41060-1102	D-11	43078-1080	E-5	49006-1085	C-3	55020-1324-6F	D-5	59441-1089-6W	E-7	92002-1888	E-5
41060-1115	B-6	43082-1209	E-6	49006-1171	B-13	550D2015	D-7	59441-1089-RN	E-7	92002-1894	E-3
41063-001	D-11	43082-1229	E-4	49006-1203	C-3	550D2015	E-5	59441-1090-6L	E-7	92004-1170	B-12
41064-1051	D-11	43084-003	E-4	49006-1203	C-3	550D3025	D-11	59441-1090-6W	E-7	92004-1171	B-12
41068-1228	D-12	43095-1119	E-5	49006-1205-BD	E-8	550D3025	D-12	59441-1090-RN	E-7	92005-1146	C-5
41068-1275	D-11	43095-1137	E-3	49006-1205-VW	E-8	551A0308	B-10	600A0600	D-3	92009-1014	B-3
41078-1063	D-11	44005-1397	E-8	49016-1037	F-4	554A1000	E-9	600A0800	B-7	92009-1021	B-13
41080-1173	E-4	44006-1251	E-8	49016-1044	E-3	56001-1228	E-7	600A0800	D-3	92009-1056	F-5
41080-1174	E-6	44013-1255	E-8	49016-1101	F-4	56007-1330	F-9	600A1000	B-14	92009-1065	F-4
41082-001	D-11	44022-1199	E-8	49018-1052	F-7	56008-1007	F-9	601A6204Z	B-12	92009-1069	F-6
41081200	D-11	44026-1684	E-8	49046-1056	B-3	56019-108-7F	F-9	601A6301	B-12	92009-1123	E-9
42036-1077	D-6	44029-1012	E-8	49047-1068	B-10	56019-108-B1	F-9	601B6003U	B-10	92009-1154	B-13
42036-1184	D-6	44033-1184-6F	E-8	49054-1057	B-3	56019-108-TR	F-9	601B6201U	B-14	92009-1155	B-13
42036-1203	D-6	44037-1388	E-8	49063-1002	B-13	56019-120	F-9	601B6201UG	D-11	92009-1163	E-12
42036-1216	D-5	44039-1290	E-8	49065-1059	C-8	56031-1491	F-10	601B6202	B-12	92009-1172	E-12
42041-1291	D-12	44045-051	E-8	49065-1067	C-8	56031-1494	F-10	601B6202UG	D-11	92009-1266	B-10
43010-1059	E-5	44065-1020	E-8	49069-1142-6L	E-9	56031-1497	F-10	601B6302UG	D-12	92009-1271	D-8
43015-1331	E-5	44065-1054	E-8	49069-1142-6W	E-9	56031-1506	F-10	610A0408	B-14	92009-1273	D-8
43015-1638	E-3	44075-1097	E-8	49069-1142-RN	E-9	56051-1922	F-11	670B1506	B-14	92009-1273	E-10
43020-1063	E-5	45014-1714	D-14	49069-1143-6L	E-9	56051-1922	F-12	670B1510	B-3	92009-1286	E-14
43020-1065	E-3	46003-1513	E-7	49069-1143-6W	E-9	56051-1922	F-13	670B2018	B-6	92009-1286	E-9
43020-1117	E-6	46012-1293	E-7	49069-1143-RN	E-9	56062-1446	F-11	700Q05360	B-12	92009-1286	F-7
43022-1010	E-3	46019-1005	E-7	49106-1099	B-5	56062-1446	F-12	701Q05440	E-10	92009-1287	D-5
43026-1062	E-5	46055-009	E-7	49111-1051	B-13	56062-1446	F-13	702A05650	E-9	92009-1287	F-14

This catalog covers:

'99 KMX125-A12

GRID NO.

L-16

This grid covers:

Numerical Parts Index

Part No.	Grid No.	Part No.	Grid No.	Part No.	Grid No.	Part No.	Grid No.	Part No.	Grid No.	Part No.	Grid No.
92009-1287	F-4	92022-1565	D-3	92037-1629	E-3	92049-1275	E-8	92072-1091	D-14	92104-1003	F-9
92009-1293	E-12	92022-1568	D-7	92037-1710	E-5	92049-1315	B-6	92072-1195	F-7	92107-005	F-9
92009-1294	F-4	92022-1601	E-5	92037-1775	D-5	92049-1320	B-12	92072-1197	F-7	92107-1053	F-9
92009-1359	D-9	92022-1790	B-8	92037-1777	E-13	92051-005	B-12	92072-1237	E-4	92108-011	F-9
92009-1378	B-4	92022-1791	B-8	92037-1835	B-12	92055-012	B-14	92072-1237	E-8	92110-1113	F-9
92009-1402	E-14	92022-1792	B-10	92037-1842	E-13	92055-044	C-3	92072-1293	F-7	92110-1129	F-9
92009-1447	B-10	92022-1814	E-3	92037-1882	B-4	92055-061	B-7	92075-005	F-7	92110-1148	F-9
92009-1458	E-3	92022-1827	B-11	92038-003	B-6	92055-099	B-14	92075-024	E-12	92110-1152	F-9
92009-1547	F-8	92022-1827	B-6	92041-1051	D-7	92055-1023	E-9	92075-1028	D-8	92110-1153	F-9
92009-1605	B-4	92022-183	E-9	92043-080	D-7	92055-1111	E-9	92075-1123	B-5	92112-1001	F-9
92009-1661	F-7	92022-1831	B-6	92043-1129	B-13	92055-1112	E-9	92075-1151	E-9	92127-003	F-9
92009-1293	C-6	92022-1896	E-7	92043-1256	B-13	92055-1149	B-6	92075-1385	E-12	92143-1001	B-14
92009-1868	E-9	92022-1973	B-6	92043-1263	B-12	92055-1150	B-3	92075-1497	D-14	92143-1012	D-11
92015-1022	E-8	92022-1977	E-9	92043-1264	B-12	92055-1251	E-5	92075-1578	E-12	92143-1013	D-11
92015-1078	B-13	92026-1136	B-6	92043-1265	B-12	92055-1343	B-14	92075-1598	F-3	92143-1015	D-12
92015-1143	B-3	92026-1217	B-11	92043-1293	B-13	92055-1367	E-8	92075-1598	F-7	92143-1020	D-12
92015-1156	B-6	92026-1238	B-13	92043-1303	E-5	92057-1217	D-12	92075-1629	E-9	92143-1021	D-12
92015-1183	B-5	92026-1275	E-8	92043-1316	C-5	92058-1058	D-12	92075-1690	F-5	92143-1057	B-5
92015-1188	D-9	92027-1134	F-4	92043-1319	B-13	92059-059	C-5	92075-1727	F-7	92143-1239	B-6
92015-1191	E-7	92027-1181	D-5	92043-1356	E-4	92059-1023	C-3	92075-1831	E-9	92144-1017	D-9
92015-1224	E-8	92027-162	E-12	92043-1464	D-7	92059-1692	C-5	92075-1864	F-7	92144-1075	C-4
92015-1233	B-5	92027-1794	D-8	92045-1061	B-12	92059-1754	C-3	92075-1886	B-14	92144-1120	F-8
92015-1233	E-3	92027-1834	B-3	92045-1107	B-12	92059-1755	C-3	92075-1891	B-5	92144-1289	B-8
92015-1354	F-4	92027-1839	B-13	92045-1120	B-12	92059-1799	F-7	92075-1895	B-14	92145-1240	D-13
92015-1364	D-5	92027-1936	E-4	92045-1169	B-12	92059-1878	F-7	92075-1934	E-9	92145-1260	E-4
92015-1367	D-8	92027-194	B-5	92045-1235	B-8	92063-063	C-3	92075-1944	B-11	92150-1034	D-4
92015-1367	F-5	92027-251	C-8	92045-1305	B-13	92063-069	C-3	92075-1947	B-5	92150-1035	D-4
92015-1368	D-6	92027-251	F-5	92046-1052	B-14	92063-070	C-3	92075-1967	E-9	92150-1036	D-4
92015-1391	E-12	92028-1066	D-11	92046-1110	D-5	92063-071	C-3	92075-209	C-8	92150-1037	D-4
92015-1428	F-6	92028-1261	B-12	92046-1111	D-6	92063-072	C-3	92075-209	E-12	92150-1129	D-6
92015-1459	D-5	92033-1023	E-8	92046-1112	D-6	92064-032	C-4	92076-020	D-7	92150-1340	E-5
92015-1459	D-6	92033-1041	D-12	92046-1158	D-6	92065-058	B-10	92077-1054	E-12	92150-1435	D-5
92015-1487	E-9	92033-1186	E-5	92047-010	E-8	92065-058	B-12	92081-020	B-7	92150-1715	B-8
92015-1603	E-7	92033-1214	B-9	92047-014	D-3	92065-103	B-6	92081-1133	D-7	92150-1852	E-4
92015-1658	D-5	92033-1215	B-9	92048-005	D-3	92066-1118	B-3	92081-1152	C-4	92150-1888	B-14
92015-1668	D-12	92033-1219	E-8	92048-009	D-3	92066-1171	C-4	92081-1153	C-4	92150-1909	F-5
92015-1696	D-4	92036-004	B-6	92049-002	B-14	92066-1216	E-7	92081-1207	B-8	92150-1982	C-5
92015-1706	D-6	92036-018	C-3	92049-1109	D-5	92066-1241	B-12	92081-122	B-7	92151-1443	E-8
92015-1765	D-12	92037-072	C-3	92049-1109	D-6	92066-1254	B-3	92081-1341	E-6	92152-1112	E-9
92022-037	B-5	92037-1069	B-4	92049-1166	D-6	92066-1255	B-3	92081-1434	B-7	92160-1007	F-4
92022-1019	B-7	92037-1069	F-7	92049-1181	D-6	92066-1306	D-3	92081-1750	B-11	92160-1011	F-3
92022-1033	B-9	92037-1129	B-5	92049-1186	B-12	92069-055	F-6	92081-1829	B-11	92170-1057	E-3
92022-1137	E-13	92037-1163	F-7	92049-1203	D-12	92069-059	F-5	92081-1992	B-8	92170-1058	E-3
92022-125	D-9	92037-1260	C-5	92049-1206	B-3	92069-071	F-4	92081-1993	B-11	92170-1062	F-7
92022-125	E-12	92037-147	B-5	92049-1207	B-14	92069-1002	F-4	92087-1055	B-6	92170-1438	B-4
92022-1344	B-5	92037-147	C-8	92049-1257	B-12	92069-1007	E-12	92090-022	D-3	92170-1527	C-4
92022-1385	E-8	92037-1483	F-7	92049-1259	B-14	92070-037	C-7	92093-1012	B-5	92180-1297	E-4
92022-1488	B-13	92037-1589	C-8	92049-1262	B-14	92071-056	F-3	92093-1215	B-4	92190-1228	B-5
92022-1557	D-8	92037-1601	C-5	92049-1263	D-11	92072-071	F-7	92093-1216	B-4	92210-1081	B-7
92022-1557	F-5	92037-1610	E-9	92049-1268	E-8	92072-1006	E-11	92101-001	C-7	92210-1124	E-12