



KE125-A13

Catálogo de Partes

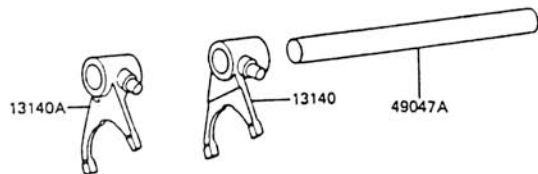
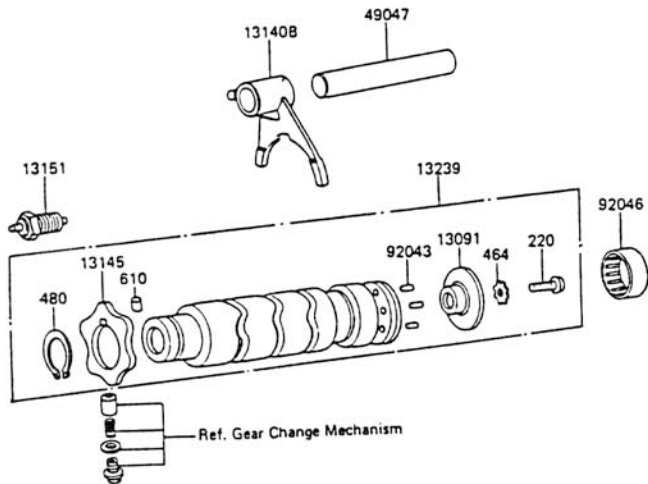


KE125-A13
For Colombia Market

Motorcycle
Parts Catalog

E1362-0016

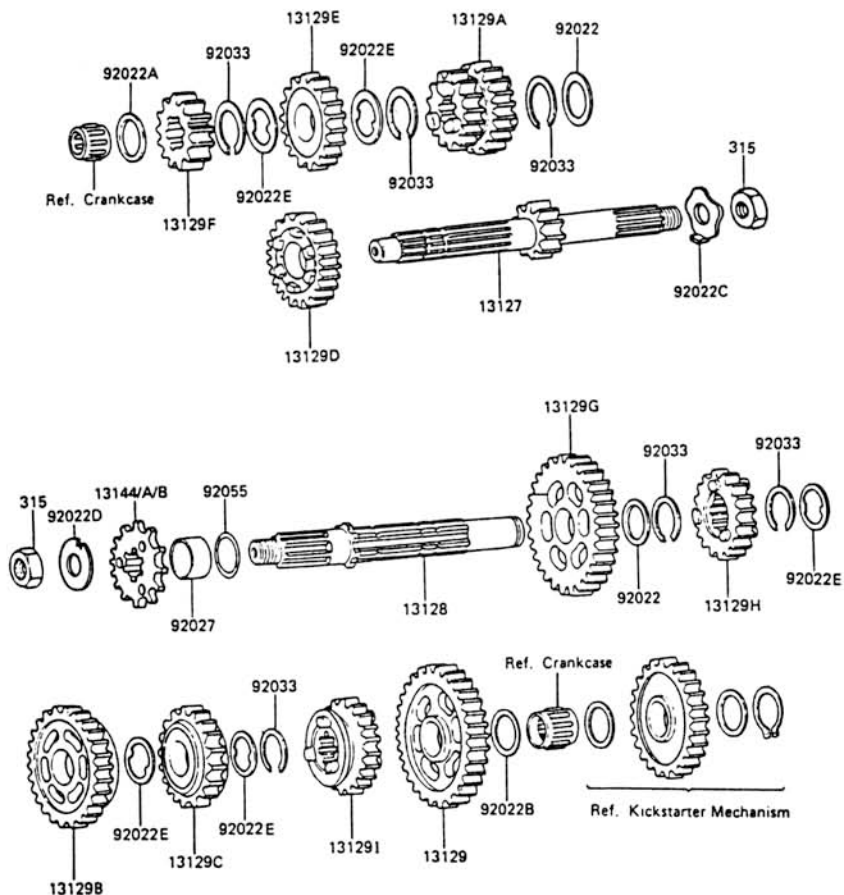
FRONT



Ref. No.	Part No.	Description	Spec Code	Quantity- KE125		
				'87	A13	
13091	13142-017	HOLDER, CHANGE DRUM PIN		1		
13140	13140-058	FORK-SHIFT, LOW&4TH		1		
13140A	13140-059	FORK-SHIFT, 2ND&3RD		1		
13140B	13140-060	FORK-SHIFT, 5TH&TOP		1		
13145	13145-1001	CAM-CHANGE DRUM		1		
13151	13151-019	SWITCH-COMP, NEUTRAL		1		
13239	13239-018	DRUM-ASSY-CHANGE		1		
49047	13209-014	ROD-SHIFT, 10X80		1		
49047A	49047-1060	ROD-SHIFT, 10X102		1		
92043	92042-030	PIN, DOWEL, 4X13,8		6		
92046	92046-043	BEARING-NEEDLE, 36BDM4212		1		
220	220B0614	SCREW-PAN-CROS, 6X14		1		
464	464H0600	WASHER-TOOTHED, 6MM		1		
480	480J3000	CIRCLIP-TYPE-C, 30MM		1		
610	610A0406	ROLLER, 4X6		1		

E1361-0136

FRONT



Ref. No.	Part No.	Description	Spec Code	Quantity- KE125	
				'87	A13
13127	13127-045	SHAFT-TRANSMISSION INPUT,10T			1
13128	13128-040	SHAFT-TRANSMISSION OUTPUT			1
13129	13129-050	GEAR,OUTPUT LOW,26T			1
13129A	13129-1010	GEAR,INPUT 3RD&4TH,16T&22T			1
13129B	13129-1011	GEAR,OUTPUT 3RD,20T			1
13129C	13129-1015	GEAR,OUTPUT 4TH,23T			1
13129D	13129-1018	GEAR,INPUT 5TH,19T			1
13129E	13129-1021	GEAR,INPUT TOP,20T			1
13129F	13130-036	GEAR,INPUT 2ND,13T			1
13129G	13131-043	GEAR,INPUT 2ND,22T			1
13129H	13137-043	GEAR,OUTPUT TOP,16T			1
13129I	13248-003	GEAR,OUTPUT 5TH,17T			1
13144	13144-0 3	SPROCKET-OUTPUT,13T			1
	(OPTION)				
13144A	13144-054	SPROCKET-OUTPUT,15T			1
	(OPTION)				
13144B	13144-066	SPROCKET-OUTPUT,14T			1
92022	92022-271	WASHER,18,3x22x0,5			2
92022A	92022-272	WASHER,14,3x24x1			1
92022B	92022-273	WASHER,14,3x24x1			1
92022C	92024-046	WASHER,LOCK,14MM			1
92022D	92024-052	WASHER,CLAW,14,3x32x1			1
92022E	92024-055	WASHER,TOOTHED,18,5x22x0,5			5
92027	92027-1674	COLLAR,20x25x12,5			1
92033	92033-028	RING-SNAP			6
92055	92055-022	RING-O,17,5x1,5			1
315	315B1400	NUT-HEX-FINE,14MM			2

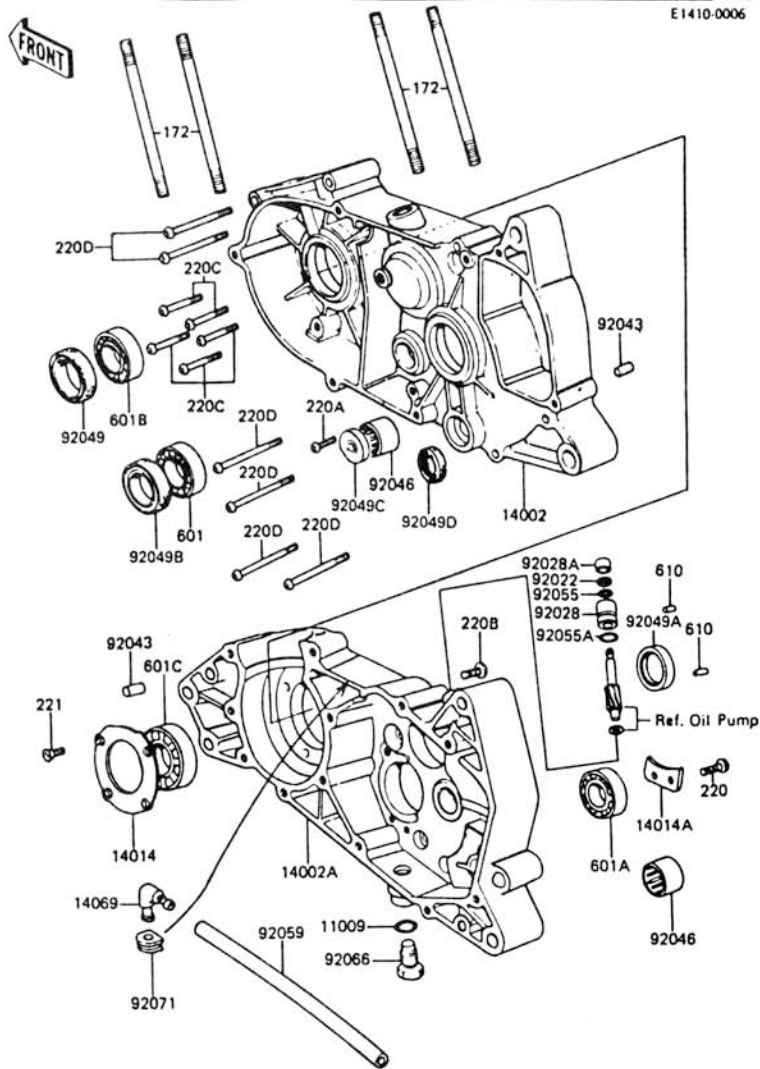
This catalog covers:
'87 KE125-A13 Engine

GRID NO.

B-12

This grid covers:
Crankcase

E1410-0006



Ref. No.	Part No.	Description	Spec Code	Quantity- KE125			
				'87			
				A13			
11009	92065-073	GASKET,12,5X18X1,DRAIN PLUG		1			
14002	14002-1006-21	CRANKCASE,LH,F,BLACK		1			
14002A	14002-1007-21	CRANKCASE,RH,F,BLACK		1			
14014	14014-028	PLATE-POSITION		1			
14014A	14014-029	PLATE-POSITION		1			
14069	14069-002	BREATHER,CRANKCASE		1			
92022	92022-275	WASHER,7,3X9,6X0.6		1			
92028	92028-136	BUSHING		1			
92028A	92028-140	BUSHING,TACHOMETER		1			
92043	92043-1264	PIN,8,2X10X14		4			
92046	92046-037	BEARING-NEEDLE,7E-HK1412		2			
92049	92049-1240	SEAL-OIL		1			
92049A	92049-1250	SEAL-OIL		1			
92049B	92050-013	SEAL-OIL,SC25376		1			
92049C	92050-058	SEAL-OIL,PUSH ROD		1			
92049D	92051-004	SEAL-OIL,TB12205,5		1			
92055	92055-060	RING-O,7X1,7		1			
92055A	92055-061	RING-O,10X1,5		1			
92059	92059-1008	TUBE,BREATHER,6X9X115		1			
92066	92066-1240	PLUG,DRAIN		1			
92071	92071-042	GROMMET,BREATHER		1			
172	172G0870	BOLT-STUD,8X70		4			
220	220X0612	SCREW-PAN-CROS		2			
220A	220X0620	SCREW-PAN-CROS		1			
220B	220X0625	SCREW-PAN-CROS		1			
220C	220X0640	SCREW-PAN-CROS		5			
220D	220X0660	SCREW-PAN-CROS		6			
221	221B0616	SCREW-CSK-CROS,6X16		4			
601	601B6004	BEARING-BALL,#6004C3		1			
601A	601B6203	BEARING-BALL,#6203C3		1			
601B	601B6204	BEARING-BALL,#6204C3		1			
601C	601B6304	BEARING-BALL,#6304C3		1			
610	610A0512	ROLLER,5X12		2			

This catalog covers:
 '87 KE125-A13 Engine

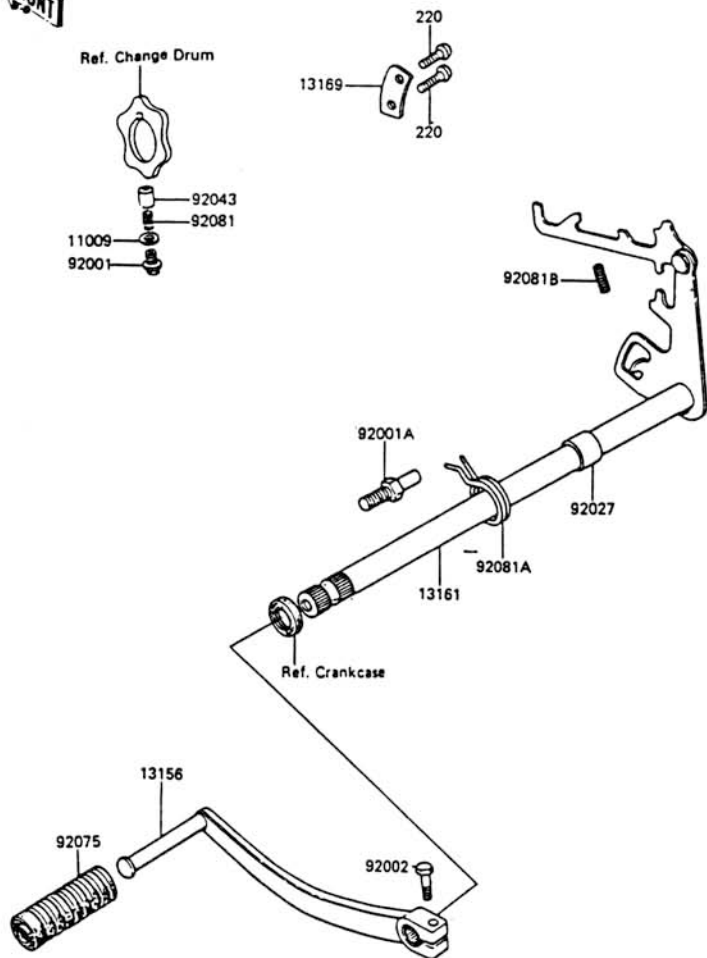
GRID NO.

B-11

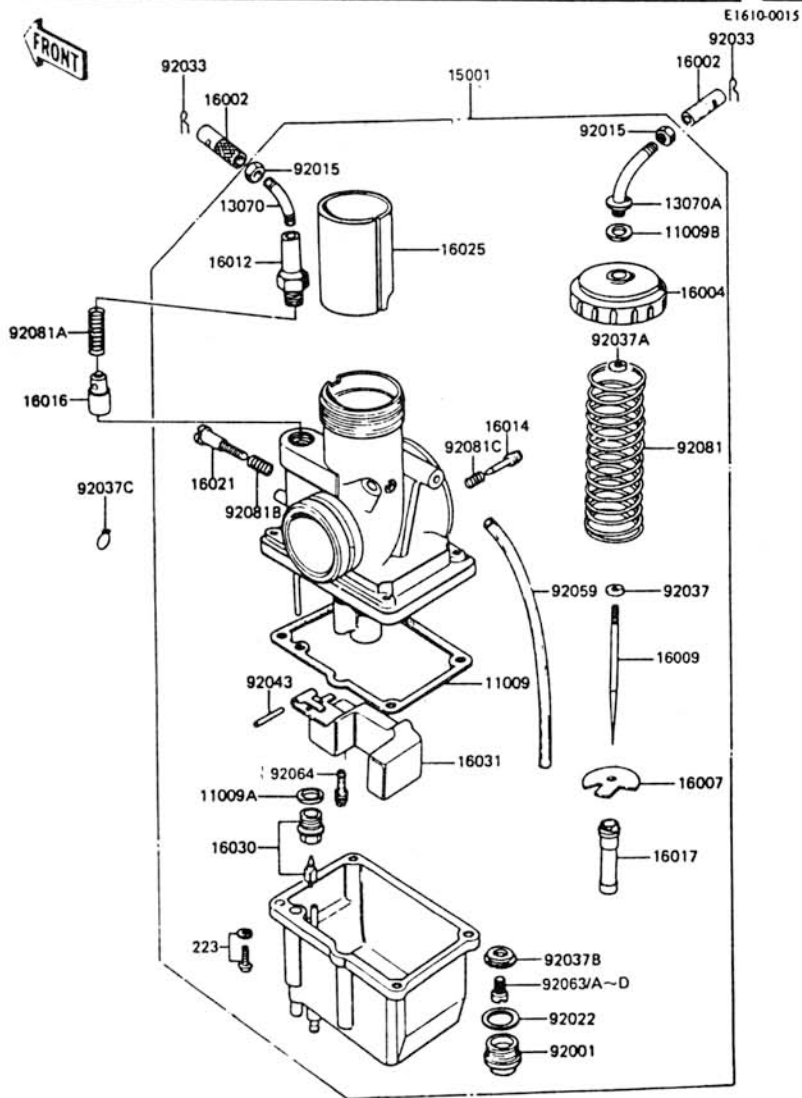
This grid covers:
 Gear Change Mechanism

E1370.0132

FRONT



Ref. No.	Part No.	Description	Spec Code	Quantity- KE125			
				'87			
				A13			
11009	92065-090	GASKET			1		
13156	13156-053	LEVER-CHANGE, PEDAL			1		
13161	13161-040	LEVER-COMP-CHANGE SHAFT			1		
13169	13169-002	PLATE, CHANGE DRUM POSITION			1		
92001	92001-131	BOLT, FLANGED, 16X16,5			1		
92001A	92001-1401	BOLT, RETURN SPRING			1		
92002	92002-1237	BOLT, 6X20			1		
92027	92027-205	COLLAR, 12X18X12.2			1		
92043	92043-076	PIN			1		
92075	13157-004	DAMPER, CHANGE PEDAL			1		
92081	92081-112	SPRING			1		
92081A	92081-1129	SPRING, TENSION			1		
92081B	92081-124	SPRING, KICK PAWL			1		
220	22080614	SCREW-PAN-CROS, 6X14			2		



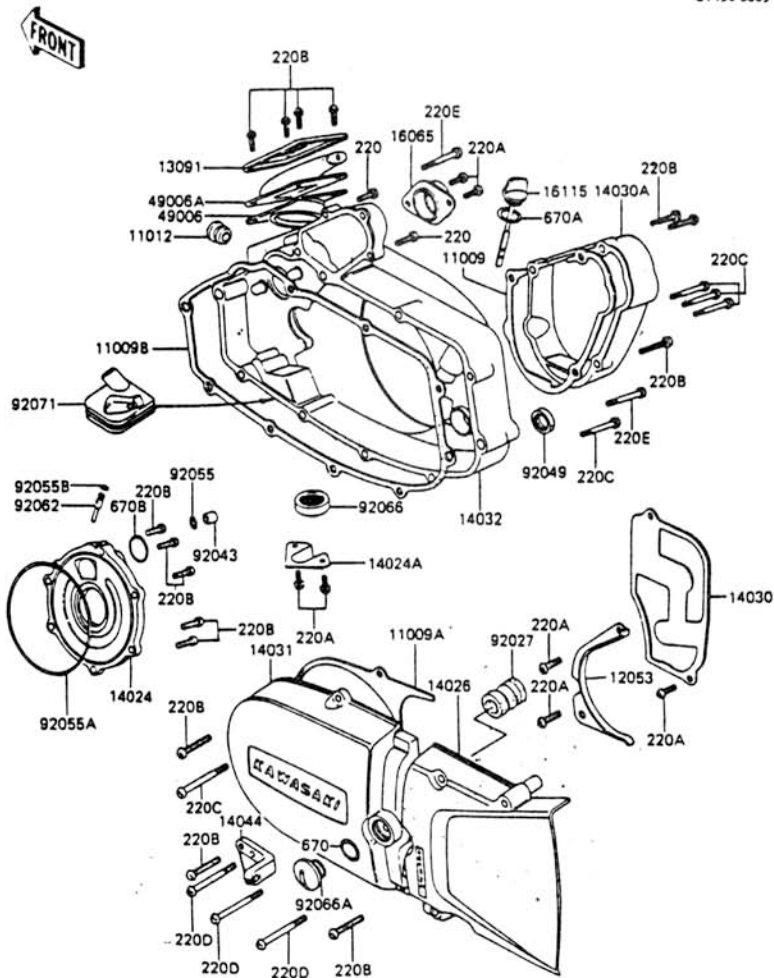
Ref. No.	Part No.	Description	Spec Code	Quantity- KE125		
				'87	A13	
11009	16019-023	GASKET,FLOAT CHAMBER			1	
11009A	16029-004	GASKET,FLOAT VALVE SEAT			1	
11009B	16029-007	GASKET,CABLE GUIDE			1	
13070	16077-010	GUIDE,CABLE			1	
13070A	16077-011	GUIDE,CABLE			1	
15001	15001-1402	CARBURETOR-ASSY			1	
16002	16002-007	ADJUSTER-CABLE,THROTTLE VALVE			2	
16004	16004-024	CAP-CHAMBER,MIXING			1	
16007	16007-1023	SEAT-SPRING,THROTTLE VALVE			1	
16009	16009-1069	NEEDLE-JET,4EJ2U-3			1	
16012	16012-017	CAP-STARTER PLUNGER			1	
16014	16014-002	SCREW-PILOT AIR			1	
16016	16016-002	PLUNGER,STARTER			2	
16017	16017-1065	JET-NEEDLE,0-2			1	
16021	16021-023	SCREW-THROTTLE STOP			1	
16025	16025-1049	VALVE-THROTTLE,CA2.5			1	
16030	16030-024	VALVE-FLOAT			1	
16031	16031-026	FLOAT			1	
92001	92001-146	BOLT,BANJO			1	
92015	16003-004	NUT,CABLE ADJUST LOCK			2	
92022	16034-008	WASHER,MAIN JET COVER			1	
92033	92036-018	RING-SNAP			2	
92037	16008-010	CLAMP,E-TYPE			1	
92037A	16008-011	CLAMP,CABLE GUIDE			1	
92037B	16008-012	RING,MAIN JET HOLD			1	
92037C	92037-010	CLAMP,TUBE			1	
92043	16032-006	PIN,FLOAT			1	
92059	92059-1011	TUBE,CARB BREATHER,3.5X6.5X90			1	
92063	92063-063	JET-MAIN,#97.5R			1	
		(RACING USE ONLY)				
92063A	92063-069	JET-MAIN,#95R			1	
		(RACING USE ONLY)				
92063B	92063-070	JET-MAIN,#100R			1	
92063C	92063-071	JET-MAIN,#102.5R			1	
		(RACING USE ONLY)				
92063D	92063-072	JET-MAIN,#105R			1	
		(RACING USE ONLY)				
92064	92064-022	JET-PILOT,#30			1	
92081	16006-024	SPRING,THROTTLE VALVE			1	
92081A	16013-003	SPRING,STARTER PLUNGER			2	

This catalog covers:
 '87 KE125-A13 Engine

GRID NO.
B-13

This grid covers:
 Engine Cover

E1430-0009



Ref. No.	Part No.	Description	Spec Code	Quantity- KE125	
				'87	A13
11009	11009-1277	GASKET,CARBURETOR COVER		1	
11009A	14045-017	GASKET,GENERATOR COVER		1	
11009B	14046-029	GASKET,CLUTCH COVER		1	
11012	14039-001	CAP,RUBBER		1	
12053	14077-003	GUIDE-CHAIN		1	
13091	14065-007	HOLDER,CARBURETOR BOOT		1	
14024	14019-055	COVER,ROTARY DISC		1	
14024A	14076-006	COVER,FUEL DRAIN		1	
14026	14026-1030	COVER-CHAIN,F,BLACK		1	
14030	14030-060	COVER,OIL PUMP		1	
14030A	14030-1013	COVER-CARBURETOR,F,BLACK		1	
14031	14031-1053	COVER-GENERATOR,F,BLACK		1	
14032	14032-1035	COVER-CLUTCH,F,BLACK		1	
14044	14044-012	HOLDER-CABLE,CLUTCH		1	
16065	16065-033	HOLDER-CARBURETOR		1	
16115	16115-020	CAP-OIL FILLER		1	
49006	14038-039	BOOT,CARBURETOR		1	
49006A	14038-040	BOOT,CARBURETOR		1	
92027	92027-207	COLLAR,11X15,RUBBER		1	
92043	92042-017	PIN,DOWEL,8X16		1	
92049	92049-002	SEAL-OIL,SB16244		1	
92055	92055-029	RING-O,7,8X3,5		1	
92055A	92055-057	RING-O,107,4X1,9		1	
92055B	92055-080	RING-O,2,5X1,5		1	
92062	92062-012	NOZZLE		1	
92066	16116-006	PLUG,25X12		1	
92066A	92067-017	PLUG,ENGINE COVER,LH,20X6		1	
92071	16136-009	GROMMET,OVERFLOW		1	
220	220X0516	SCREW-PAN-CROS		4	
220A	220X0612	SCREW-PAN-CROS		7	
220B	220X0620	SCREW-PAN-CROS		17	
220C	220X0630	SCREW-PAN-CROS		8	
220D	220X0635	SCREW-PAN-CROS		3	
220E	220X0645	SCREW-PAN-CROS		2	
670	670B2016	O RING,16MM		1	
670A	670B2020	O RING,20MM		1	
670B	670B3028	O RING,28MM		1	

This catalog covers:
'87 KE125-A13 Engine

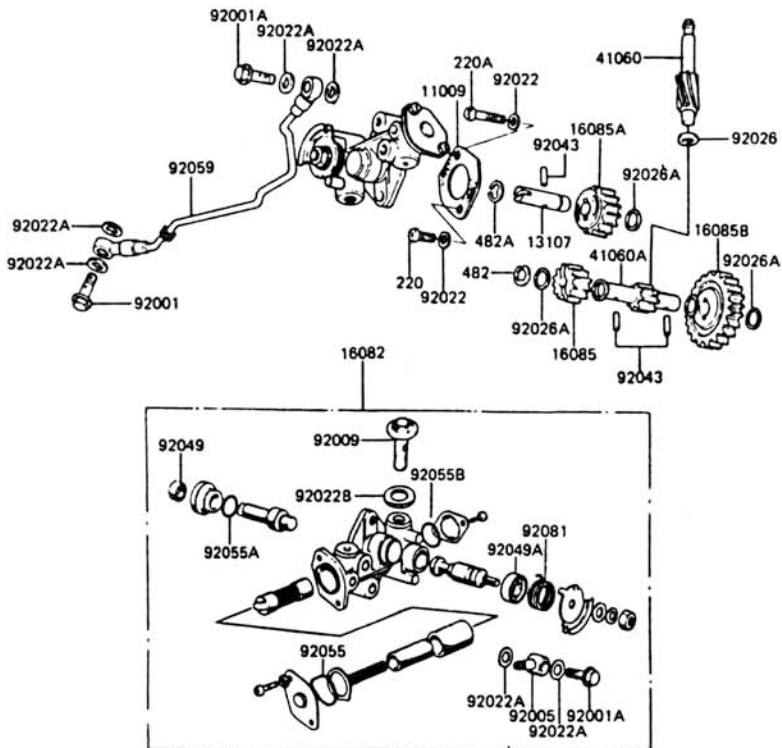
GRID NO.

C-4

This grid covers:
Oil Pump

E1710-0017

FRONT



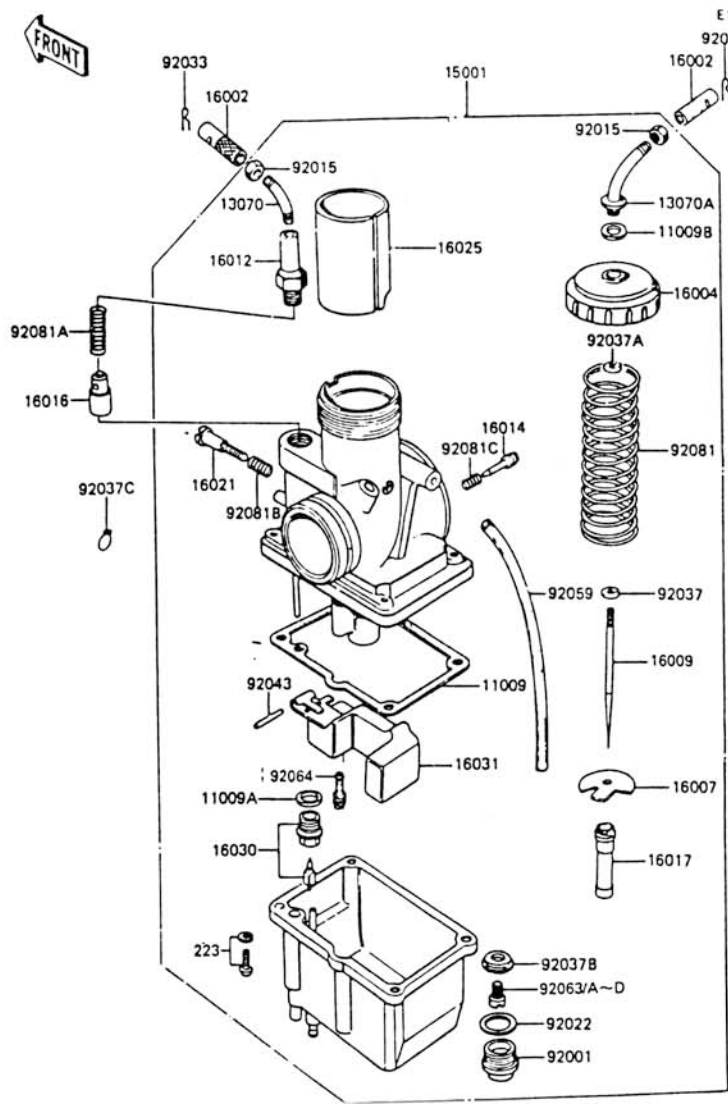
Ref. No.	Part No.	Description	Spec Code	Quantity- KE125	
				'87	A13
11009	16094-002	GASKET,OIL PUMP			1
13107	16086-003	SHAFT,OIL PUMP GEAR			1
16082	16082-1014	PUMP-ASSY-OIL			1
16085	16085-020	GEAR,OIL PUMP,10T			1
16085A	16085-021	GEAR,OIL PUMP,12T			1
16085B	16085-022	GEAR,OIL PUMP,20T			1
41060	13223-007	GEAR-METER SCREW			1
41060A	13224-010	GEAR-METER SCREW			1
92001	92060-008	BOLT,BANJO,L=13.5			1
92001A	92060-013	BOLT,BANJO,L=16			2
92005	92061-009	FITTING,BANJO			1
92009	92009-1010	SCREW,AIR VENT			1
92022	92022-037	WASHER,5,5X10,5X0,8			2
92022A	92022-077	WASHER,6,1X12X1			6
92022B	92022-1006	WASHER			1
92026	92026-094	SPACER,6,3X12X1.0			1
92026A	92026-095	SPACER,8,3X13X1.0			5
92043	92042-035	PIN,DOWEL,2,5X12.8			3
92049	16091-001	SEAL-OIL,OIL PUMP SHAFT			1
92049A	92049-1294	SEAL-OIL,CAMSHAFT,"X"TYPE			1
92055	16088-002	RING-O,CAP,BANJO SIDE			1
92055A	16090-002	RING-O,OIL PUMP SHAFT			1
92055B	16090-004	RING-O,CAP,CAMSHAFT SIDE			1
92059	16134-022	TUBE,OIL			1
92081	16093-007	SPRING,OIL PUMP LEVER			1
220	22080514	SCREW-PAN-CROS			1
220A	22080528	SCREW-PAN-CROS			1
482	482J6000	CIRCLIP-TYPE-E,6MM			1
482A	482J7000	CIRCLIP-TYPE-E,7MM			1

This catalog covers:
 '87 KE125-A13 Engine

GRID NO.

C-3

This grid covers:
 Carburetor (2/2)

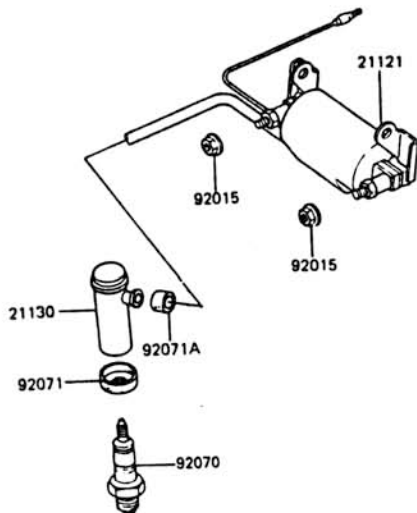


Ref. No.	Part No.	Description	Spec Code	Quantity - KE125	
				'87	A13
92081B	16022-005	SPRING, THROTTLE STOP SCREW		1	
92081C	16022-007	SPRING, PILOT AIR SCREW		1	
223	223B0414	SCREW-PAN-WS-CROS		4	

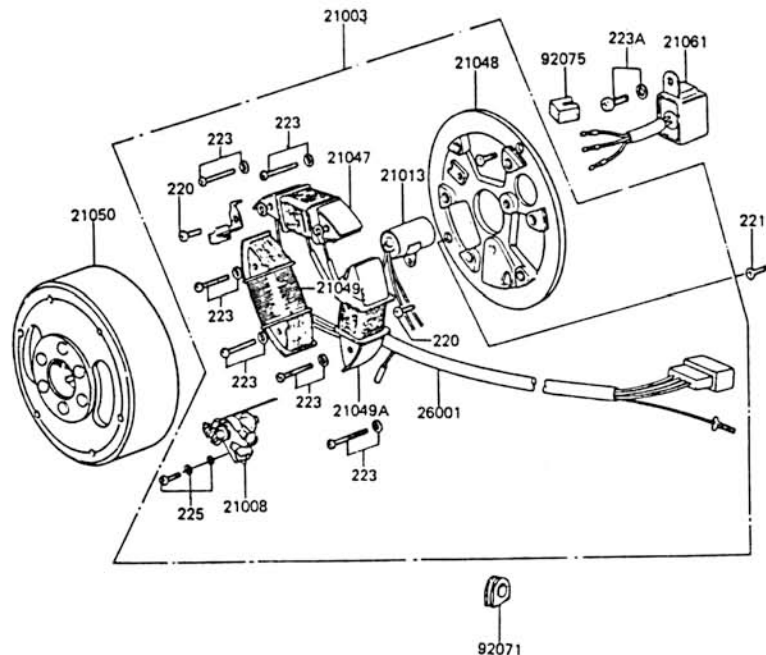
E1830-0066



Ref. No.	Part No.	Description	Spec Code	Quantity- KE125			
				'87			
21121	21121-1117	COIL-IGNITION				1	
21130	21130-016	CAP-SPARK PLUG				1	
92015	92015-1193	NUT, FLANGED, 6MM				2	
92070	92070-037	PLUG-SPARK, B8ES (NGK)				1	
92071	21131-004	GROMMET, PLUG CAP				1	
92071A	21132-005	GROMMET, HIGH TENSION				1	



E1810-0108



Ref. No.	Part No.	Description	Spec Code	Quantity- KE125		
				'87		
21003	21003-1051	STATOR, MAGNETO			1	
21008	21008-006	BREAKER, CONTACT			1	
21013	21013-006	CONDENSER			1	
21047	21047-021	COIL-LIGHTING, CHARGING			1	
21048	21048-1002	PLATE-COIL, MAGNETO			1	
21049	21049-017	COIL-LIGHTING			1	
21049A	21049-1012	COIL-EXCITING			1	
21050	21050-1026	FLYWHEEL, MAGNETO			1	
21061	21061-017	RECTIFIER			1	
26001	21029-030	HARNES, MAGNETO			1	
92071	21017-002	GROMMET			1	
92075	92075-1396	DAMPER, STATOR			4	
220	22080406	SCREW-PAN-CROS, 4X6			3	
221	22180614	SCREW-CSK-CROS, 6X14			2	
223	22380430	SCREW-PAN-WS-CROS			6	
223A	22380510	SCREW-PAN-WS-CROS			1	
225	22580412	SCREW-PAN-WSP-CROS			1	

PREFACIO

Es nuestro placer presentarles a ustedes el Catálogo de Partes.

Este Catálogo ha sido especialmente diseñado para ayudarle en la selección de las partes correctas con el fin de mantener el vehículo en las mejores condiciones.

Los repuestos originales están sujetos a un exigente estándar de control de calidad, por lo tanto es necesario que usted sólo use repuestos originales.

En nuestro constante esfuerzo para mejorar la eficiencia y desempeño de su vehículo, las especificaciones, diagramas y número de partes pueden cambiar sin previo aviso. Consecuentemente las descripciones de los repuestos en este Catálogo pueden no ser las finales y definitivas.

Las alteraciones y modificaciones que ocurran en la impresión de este catálogo, serán informadas a nuestra red, a través de circulares de Servicio. Es requisito que usted actualice su Catálogo y haga las correcciones necesarias, una vez reciba dichas circulares. Lo anterior le asegurará un rápido y adecuado despacho de sus partes, pues las órdenes están siendo diligenciadas con las referencias más actualizadas.

En caso de necesitar asistencia técnica, comunicarse con el Distribuidor Autorizado o llamar al Departamento de Servicios Auteco-Kawasaki.

This catalog covers:
 '87 KE125-A13 Chassis

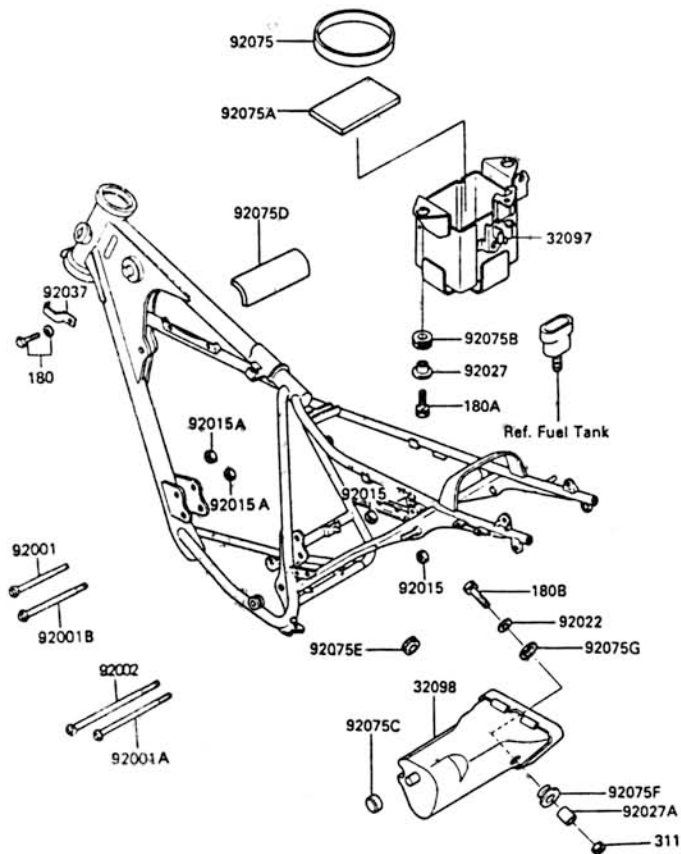
GRID NO.

D-4

This grid covers:
 Frame Fitting

F2131-0210

FRONT



Ref. No.	Part No.	Description	Spec Code	Quantity- KE125		
				'87	A13	
32097	32097-030	CASE-BATTERY		1		
32098	32098-022	CASE-TOOL		1		
92001	92001-1616	BOLT, FLANGED, 8X65, BLACK		1		
92001A	92001-1780	BOLT, FLANGED, 10X115, BLACK		1		
92001B	92001-1958	BOLT, FLANGED, 8X70, BLACK		1		
92002	92002-1087	BOLT, FLANGED, 10X130		1		
92015	92015-1189	NUT, LOCK, 10MM, BLACK		2		
92015A	92015-1205	NUT, U, 8MM, BLACK		2		
92022	92022-228	WASHER, 7X24X1,6		1		
92027	92027-153	COLLAR, L=7		2		
92027A	92027-162	COLLAR, 6, 8X10X12		1		
92037	92037-150	CLAMP, WIRE HARNESS		1		
92075	32103-023	DAMPER, BATTERY BOTTOM		1		
92075A	32103-027	DAMPER, BATTERY		1		
92075B	92075-051	DAMPER		2		
92075C	92075-107	DAMPER		1		
92075D	92075-1085	DAMPER, AIR FILTER		1		
92075E	92075-150	DAMPER, OIL TANK		1		
92075F	92075-174	DAMPER, MALE		1		
92075G	92075-175	DAMPER, FEMALE		1		
180	180B0614	BOLT-UPSET-WS		1		
180A	180B0616	BOLT-UPSET-WS		2		
180B	180B0625	BOLT-UPSET-WS		1		
311	311B0600	NUT-HEX, 6MM		1		

This catalog covers:
 '87 KE125-A13 Chassis

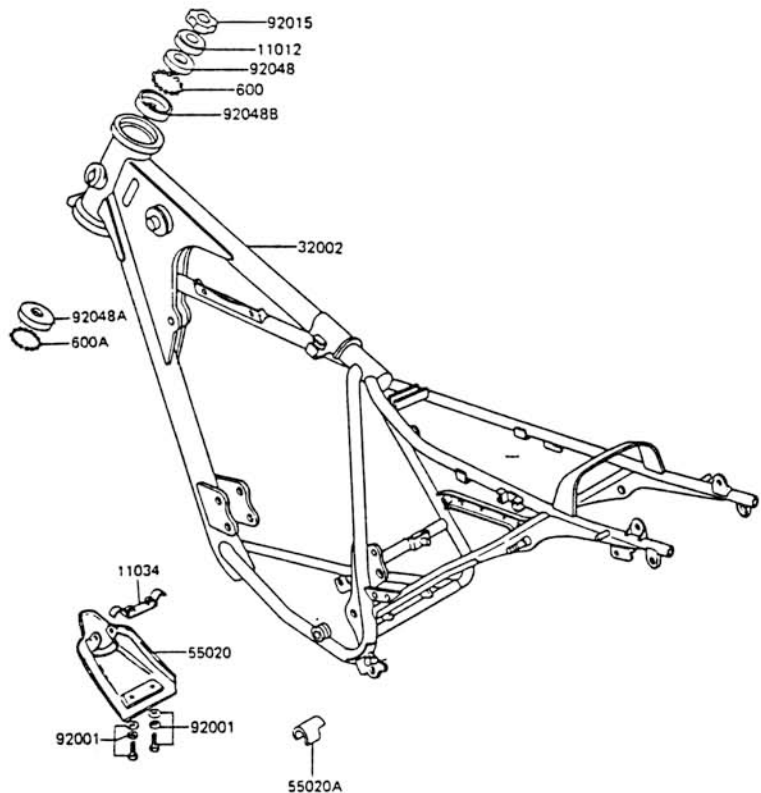
GRID NO.

D-3

This grid covers:

Frame

F2120-0243



Ref. No.	Part No.	Description	Spec Code	Quantity - KE125	
				'87	A13
11012	46098-018	CAP, STEERING STEM			1
11034	55016-008	BRACKET, ENGINE GUARD			1
32002	32002-1756	FRAME-COMP			1
55020	55011-020	GUARD, ENGINE			1
55020A	55020-1045	GUARD, CHAIN			1
92001	92001-1763	BOLT, W/SP, 6X16			2
92015	92015-1383	NUT, STEERING STEM LOCK, 25MM			1
92048	92047-014	CONE, STEERING STEM BEARING			1
92048A	92048-005	RACE, STEERING STEM BEARING, LWR			1
92048B	92048-009	RACE, STEERING STEM BEARING			1
600	600A0600	BALL-STEEL, 3/16"			23
600A	600A0800	BALL-STEEL, 1/4"			19

This catalog covers:
 '87 KE125-A13 Chassis

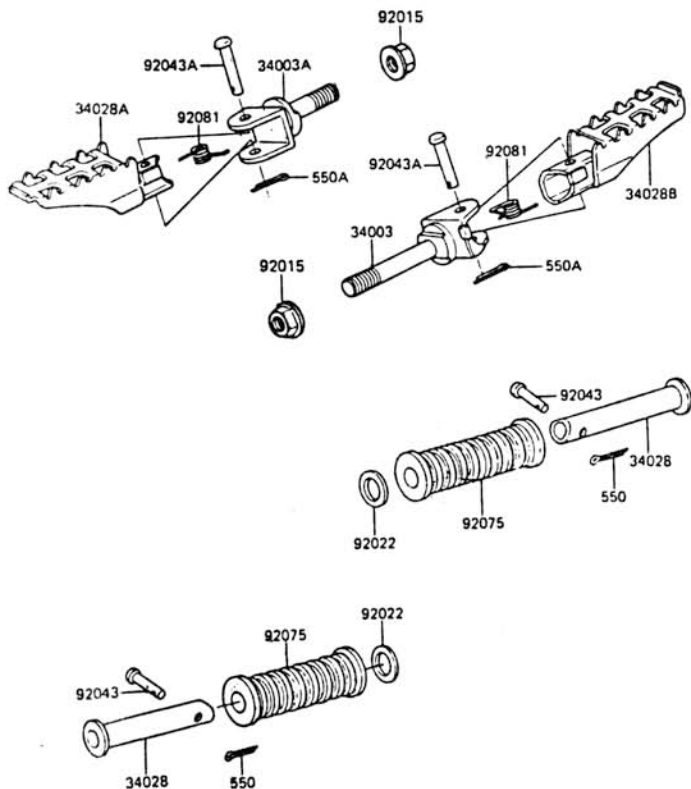
GRID NO.

D-6

This grid covers:
 Step

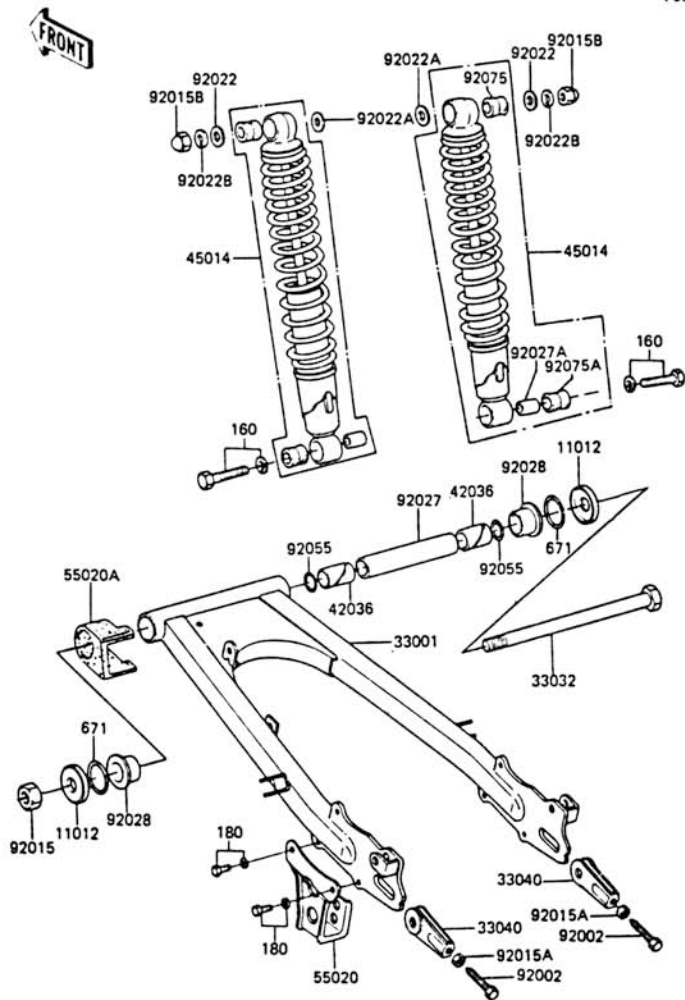
F2160-0115

FRONT



Ref. No.	Part No.	Description	Spec Code	Quantity- KE125		
				'87		
34003	34003-1111	HOLDER-STEP,FR,RH		1		
34003A	34003-1112	HOLDER-STEP,FR,LH		1		
34028	34028-009	STEP,RR		2		
34028A	34028-1013	STEP,FR,LH		1		
34028B	34028-1014	STEP,FR,RH		1		
92015	92015-1435	NUT,14MM		2		
92022	92022-1568	WASHER,20X30X2,3		2		
92043	92043-079	PIN,6X28		2		
92043A	92043-080	PIN,8X31		2		
92075	92076-020	DAMPER		2		
92081	92081-1133	SPRING,STEP		2		
550	55002015	PIN-COTTER,2,0X15		2		
550A	55002515	PIN-COTTER,2,5X15		2		

F2140-0202



Ref. No.	Part No.	Description	Spec Code	Quantity- KE125		
				'87	A13	
11012	33035-005	CAP, SWING ARM		2		
33001	33001-1060	ARM-COMP-SWING		1		
33032	33032-034	SHAFT-SWING ARM		1		
33040	33040-1010	ADJUSTER-CHAIN		2		
42036	33034-016	SLEEVE, 12, 1X22X39		2		
45014	45014-1142	SHOCKABSORBER, RR		2		
55020	55020-1026	GUARD, CHAIN, RR		1		
55020A	55020-1063	GUARD, CHAIN, FR		1		
92002	92002-1076	BOLT, CHAIN ADJUSTER, 8X50		2		
92015	92015-1190	NUT, LOCK, 12MM, BLACK		1		
92015A	92015-1364	NUT, 8MM		2		
92015B	92020-003	NUT, CAP, 10MM		2		
92022	92022-044	WASHER, 10, 5X26X2, 3		2		
92022A	92022-1538	WASHER, 12MM		2		
92022B	92022-1540	WASHER, SPRING, 10MM		2		
92027	33036-007	COLLAR, 12, 7X17, 3X106		1		
92027A	45016-003	COLLAR, SHOCKABSORBER		2		
92028	33033-006	BUSHING, SWING ARM		2		
92055	92055-001	RING-O, 16MM		2		
92075	45017-010	DAMPER, SHOCKABSORBER		2		
92075A	92075-1020	DAMPER, SHOCKABSORBER		2		
160	160N1035	BOLT-FINE-WS		2		
180	180C0612	BOLT-UPSET-WS		2		
671	671B2530	O RING, 30MM		2		

This catalog covers:
 '87 KE125-A13 Chassis

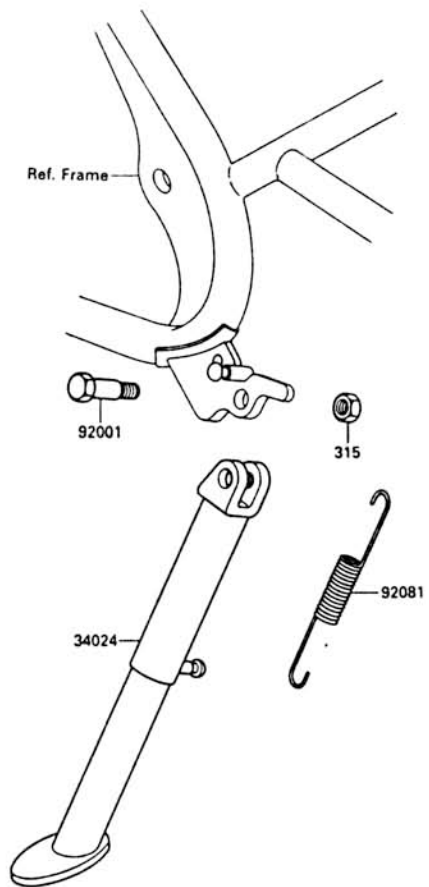
GRID NO.

D-8

This grid covers:

Stand

FRONT



Ref. No.	Part No.	Description	Spec Code	Quantity- KE125			
				'87			
34024	34024-1095	STAND-SIDE					1
92001	92001-1788	BOLT,SIDE STAND					1
92081	34025-008	SPRING,STAND					1
315	315C1000	NUT-HEX-FINE,10MM,BLACK					1

This catalog covers:
 '87 KE125-A13 Chassis

GRID NO.

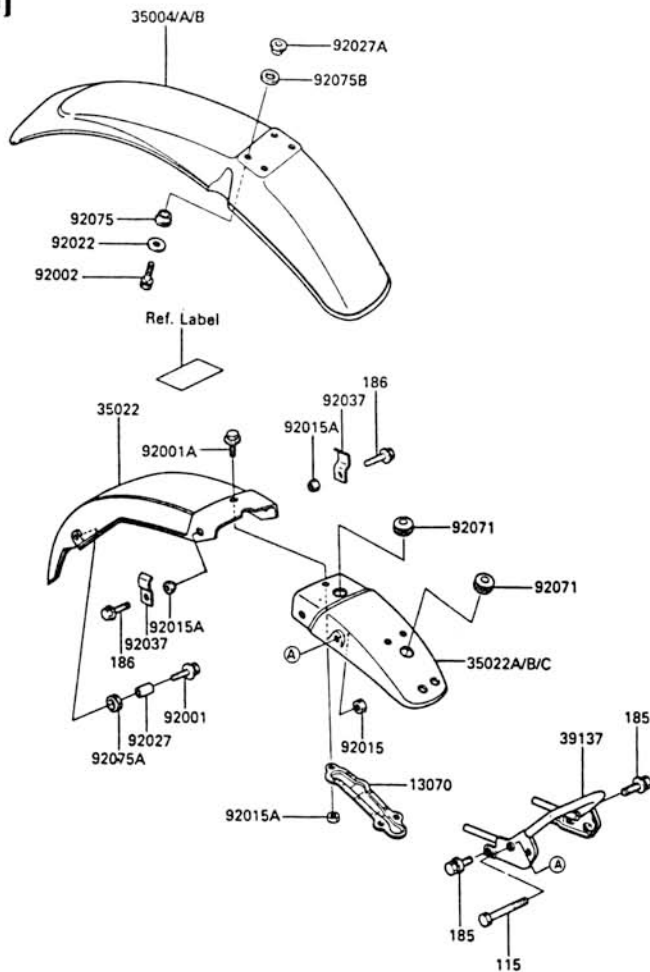
D-7

This grid covers:

Fender

F2170-0296

FRONT



Ref. No.	Part No.	Description	Spec Code	Quantity- KE125			
				'87	A13		
13070	35021-005	GUIDE, FENDER, RR					1
35004	35004-1030-6F	FENDER-FRONT, P, WHITE					1
35004A	35004-1030-6L	FENDER-FRONT, F, RED					1
35004B	35004-1030-6W	FENDER-FRONT, L, GREEN					1
35022	35022-100	FENDER-COMP-REAR, FR					1
35022A	35022-1083-B1	FENDER-COMP-REAR, RR, F, RED					1
35022B	35022-1083-F1	FENDER-COMP-REAR, RR, P, WHITE					1
35022C	35022-1083-7F	FENDER-COMP-REAR, RR, L, GREEN					1
39137	39137-1011	STAY-COMP, RR					1
92001	92001-1763	BOLT, W/SP, 6X16					2
92001A	92001-1772	BOLT, 6X16					1
92002	92002-1096	BOLT, 6X25					4
92015	92015-1124	NUT, LOCK, 8MM					2
92015A	92019-008	NUT, LOCK, 6MM					3
92022	92022-228	WASHER, 7X24X1, 6					4
92027	92027-103	COLLAR, 6, 8X10X6					2
92027A	92027-194	COLLAR, L=11, 1					4
92037	35024-002	CLAMP, WIRING HARNESS					2
92071	92071-079	GROMMET, TAIL LAMP WIRE					2
92075	92075-103	DAMPER					4
92075A	92075-105	DAMPER					2
92075B	92075-121	DAMPER, FENDER					4
115	115C0845	BOLT-SMALL-UPSET					2
185	185C0816	BOLT-UPSET-WSP-SMALL					2
186	186B0618	BOLT-UPSET-WP					2

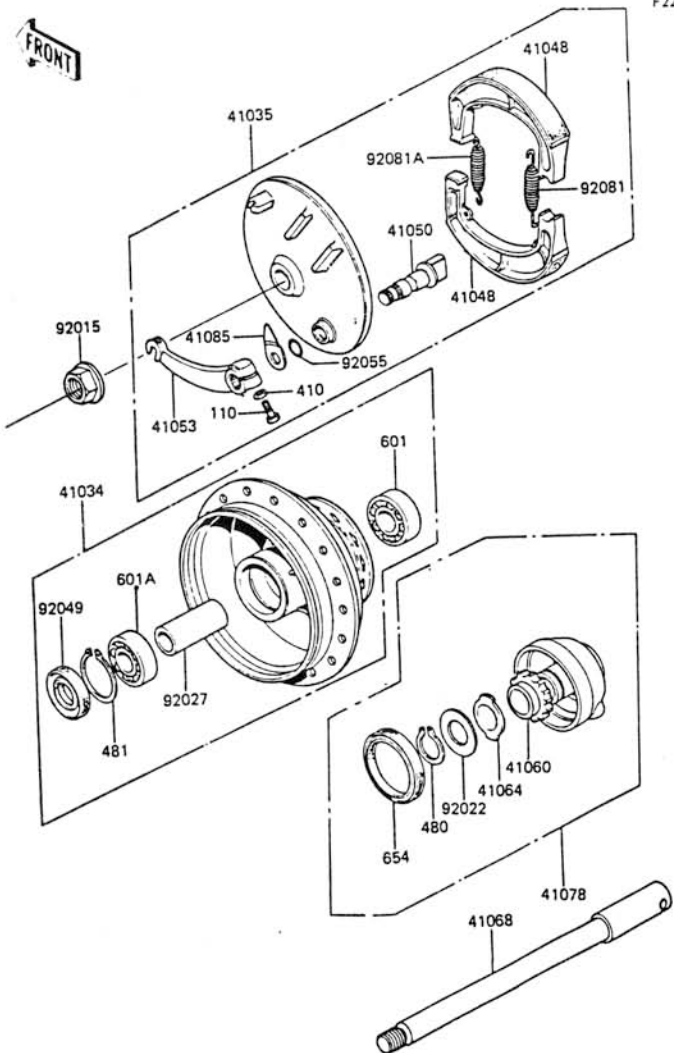
This catalog covers:
 '87 KE125-A13 Chassis

GRID NO.

D-10

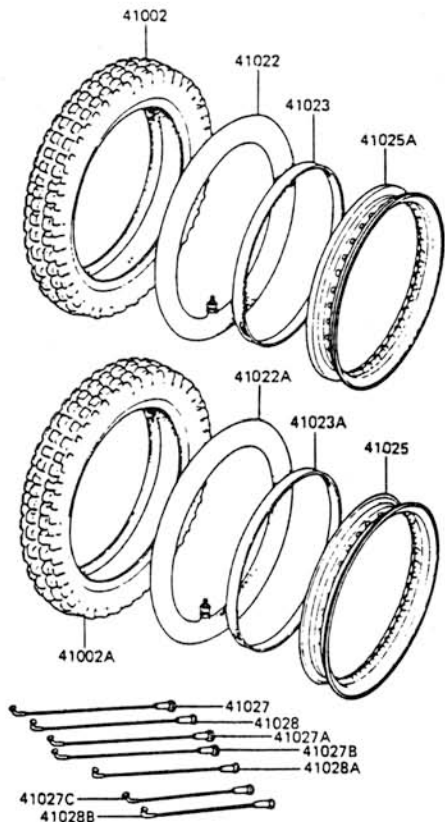
This grid covers:
 Front Hub

F2230-0035



Ref. No.	Part No.	Description	Spec Code	Quantity- KE125		
				'87		
41034	41034-1024	DRUM-ASSY,FR		1		
41035	41035-1035	PANEL-ASSY-BRAKE,FR		1		
41048	41048-015	SHOE-BRAKE		2		
41050	41050-012	CAM-BRAKE		1		
41053	41053-020	LEVER-BRAKE CAM		1		
41060	41059-024	GEAR-METER SCREW,24T		1		
41064	41064-011	RECEIVER-SPEEDOMETER		1		
41068	41068-1064	AXLE,FR		1		
41078	41078-1019	CASE-ASSY-METER GEAR		1		
41085	41085-002	INDICATOR,BRAKE SHOE		1		
92015	92015-1156	NUT,FLANGED,12MM		1		
92022	41065-004	WASHER,19,5X26X0,8		1		
92027	41039-025	COLLAR,L=44		1		
92049	92050-059	SEAL-OIL,FR BRAKE DRUM		1		
92055	92055-004	RING-O,BRAKE CAM		1		
92081	92081-1550	SPRING,BRAKE SHOE		1		
92081A	92081-1766	SPRING,BRAKE SHOE		1		
110	110G0622	BOLT,6X22		1		
410	410B0600	WASHER-PLAIN-SMALL,6MM		1		
480	480J1900	CIRCLIP-TYPE-C,19MM		1		
481	481J3700	CIRCLIP-TYPE-C,37MM		1		
601	601B6201	BEARING-BALL,#6201C3		1		
601A	601B6301	BEARING-BALL,#6301C3		1		
654	654A405208	OIL SEAL,#40528		1		

F2120-0119



Ref. No.	Part No.	Description	Spec Code	Quantity- KE125		
				'87	A13	
41002	41002-1215	TIRE,FR,2,75-21-4PR,Y-965(Y)		1		
41002A	41002-1216	TIRE,RR,3,50-18-4PR,Y-962(Y)		1		
41022	41022-1021	TUBE-TIRE,FR,2,50/2,75-21(Y)		1		
41022A	41022-1022	TUBE-TIRE,RR,3,50/4,10-18(Y)		1		
41023	41023-1007	BAND-RIM,FR,2,50/3,50-21(Y)		1		
41023A	41023-1008	BAND-RIM,2,50/3,75-18(Y)		1		
41024	41024-007	STOPPER-RIM,1,85B(YOKOHAMA)		1		
41025	41025-044	RIM,RR,1,85BX18W		1		
41025A	41025-078	RIM,FR,1,60AX21		1		
41027	41027-068	SPOKE-INNER,FR,227MMX98,20		9		
41027A	41027-069	SPOKE-INNER,FR,239,5MMX90D		18		
41027B	41027-070	SPOKE-INNER,RR,RH,171MMX106D		9		
41027C	41027-071	SPOKE-INNER,RR,LH,167,5MMX108D		9		
41028	41028-068	SPOKE-OUTER,FR,227MMX85,3D		9		
41028A	41028-069	SPOKE-OUTER,RR,RH,170MMX80D		9		
41028B	41028-070	SPOKE-OUTER,RR,LH,166,5MMX80D		9		

This catalog covers:
 '87 KE125-A13 Chassis

GRID NO.

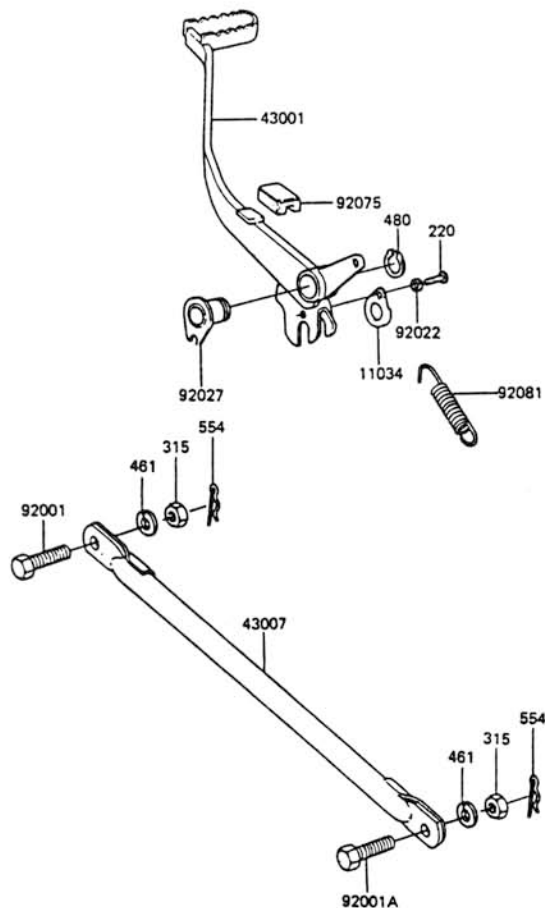
D-12

This grid covers:

Brake Pedal

F2260-0134

FRONT



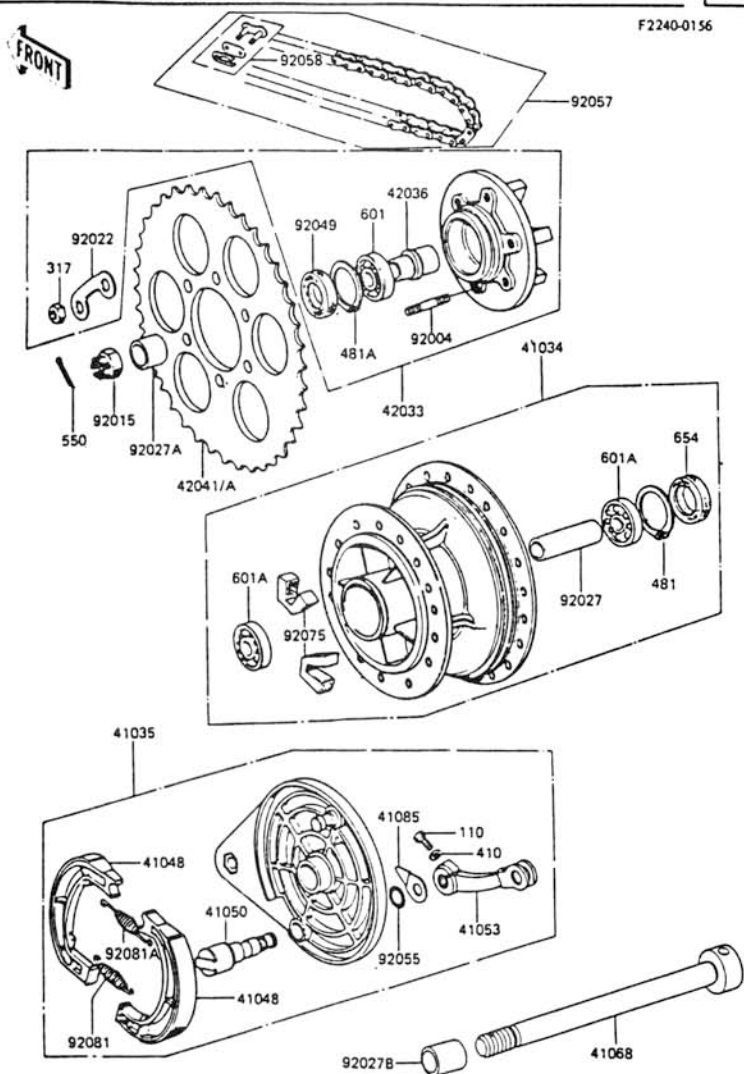
Ref. No.	Part No.	Description	Spec Code	Quantity- KE125	
				'87	A13
11034	43081-002	BRACKET, BRAKE PEDAL		1	
43001	43001-058	LEVER-BRAKE, PEDAL		1	
43007	43007-048	ROD-TORQUE, RR		1	
92001	92001-1671	BOLT, 10X32		1	
92001A	92001-1672	BOLT, 10X25		1	
92022	92022-1583	WASHER, SPRING, 5MM		1	
92027	92027-210	COLLAR, BRAKE PEDAL		1	
92075	92075-220	DAMPER, BRAKE PEDAL		1	
92081	43005-032	SPRING, BRAKE PEDAL		1	
220	220X0508	SCREW-PAN-CROS		1	
315	315C1000	NUT-HEX-FINE, 10MM, BLACK		2	
461	461K1000	WASHER-SPRING, 10MM, BLACK		2	
480	480J2200	CIRCLIP-TYPE-C, 22MM		1	
554	554A0800	PIN-SNAP, 8MM		2	

This catalog covers:
 '87 KE125-A13 Chassis

GRID NO.

D-11

This grid covers:
 Rear Hub



F2240-0156

Ref. No.	Part No.	Description	Spec Code	Quantity- KE125
				'87
				A13
41034	41034-1025	DRUM-ASSY,RR		1
41035	41035-1036	PANEL-ASSY-BRAKE,RR		1
41048	42019-010	SHOE-BRAKE		2
41050	42026-025	CAM-BRAKE		1
41053	42029-030	LEVER-BRAKE CAM		1
41068	41068-1101	AXLE,RR,L=246		1
41085	41085-011	INDICATOR		1
42033	42008-031	COUPLING-ASSY,RR HUB		1
42036	42036-018	SLEEVE,RR HUB COUPLING		1
42041	42041-146	SPROCKET-HUB,50T		1
42041A	42041-147	SPROCKET-HUB,54T		1
	(OPTION)			
92004	92004-1015	STUD,8X17		6
92015	42045-020	NUT,CASTLE,14MM		1
92022	92088-019	WASHER,SPROCKET LOCK		3
92027	42010-029	COLLAR,L=60		1
92027A	92027-1253	COLLAR,15X26X22		1
92027B	92027-1480	COLLAR,15,2X28X25		1
92049	92050-060	SEAL-OIL,RR HUB COUPLING		1
92055	92055-004	RING-O,BRAKE CAM		1
92057	92057-1083	CHAIN,DRIVE,EK428SH-GX118L		1
92058	92058-1015	JOINT-CHAIN,EK428SH		1
92075	42014-023	DAMPER,RR HUB SHOCK		6
92081	92081-1550	SPRING,BRAKE SHOE		1
92081A	92081-1766	SPRING,BRAKE SHOE		1
110	110G0622	BOLT,6X22		1
317	317B0800	NUT-HEX-SMALL,8MM		6
410	410B0600	WASHER-PLAIN-SMALL,6MM		1
481	481J3500	CIRCLIP-TYPE-C,35MM		1
481A	481J4200	CIRCLIP-TYPE-C,42MM		1
550	550B3025	PIN-COTTER,3,0X25		1
601	601B6004	BEARING-BALL,#6004C3		1
601A	601B6202	BEARING-BALL,#6202C3		2
654	654A223508	OIL SEAL,22X35X8		1

INDEX

MAIN TITLE	PAGE
CYLINDER HEAD/CYLINDER	1
AIR FILTER	2
MUFFLER	3
CRANKSHAFT/PISTON	4
KICKSTARTER MECHANISM	5
CLUTCH	6
TRANSMISSION	7
CHANGE DRUM/SHIFT FORK	8
GEAR CHANGE MECHANISM	9
CRANKCASE	10
ENGINE COVER	11
CARBURETOR	12
OIL PUMP	14
GENERATOR	15
IGNITION COIL	16
FRAME	17
FRAME FITTING	18
SWING ARM/SHOCK ABSORBER	19
STEP	20
FENDER	21
STAND	22
TIRE	23
FRONT HUB	24
REAR HUB	25
BRAKE PEDAL	26
HANDLEBAR	27
FRONT FORK	28
FUEL TANK	29
OIL TANK	31
SEAT	32
METER	33
CABLE	34
SIDE COVER/CHAIN CASE	35
HEAD LAMP	36
TAIL LAMP	37

MAIN TITLE	PAGE
TURN SIGNAL	38
ELECTRICAL EQUIPMENT	39
IGNITION SWITCH	40
TOOL	41
LABEL	42

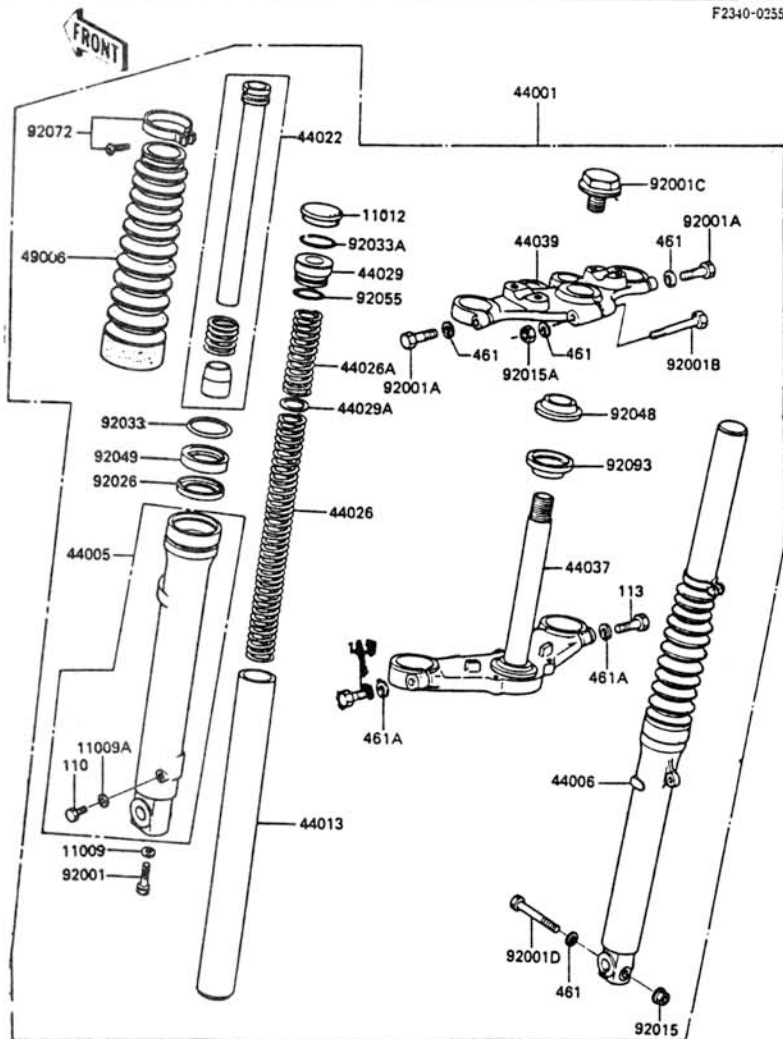
This catalog covers:
 '87 KE125-A13 Chassis

GRID NO.

D-14

This grid covers:
 Front Fork

F2340-0255



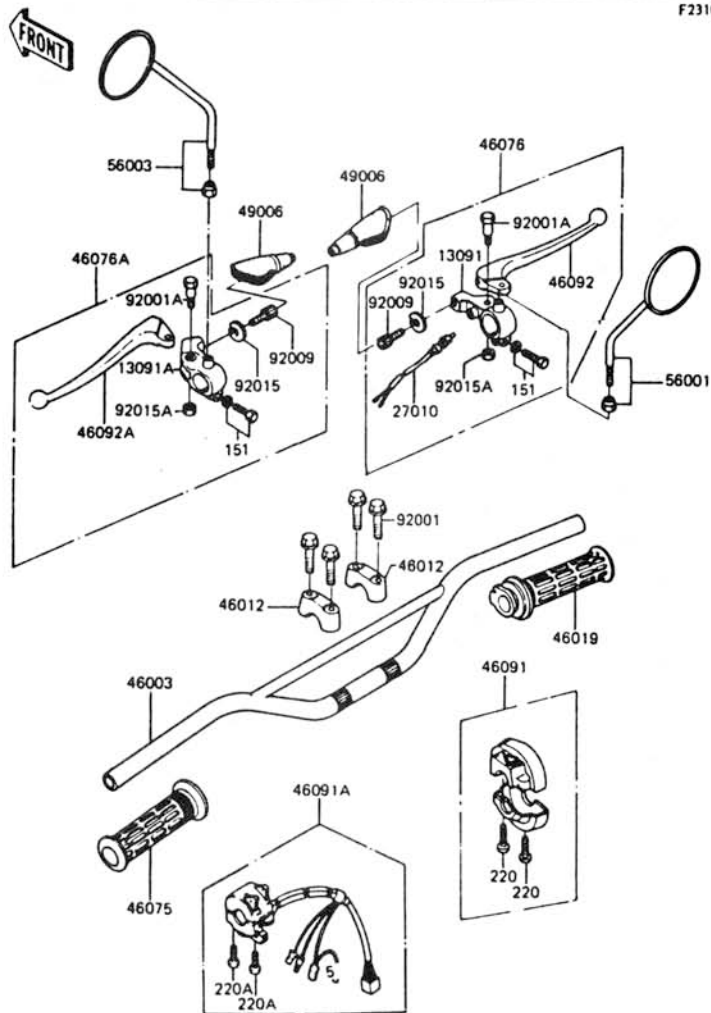
Ref. No.	Part No.	Description	Spec Code	Quantity - KE125	
				'87	A13
11009	44045-051	GASKET, FORK CYLINDER BOLT			2
11009A	44045-052	GASKET, DRAIN PLUG			2
11012	11012-1124	CAP, FORK			2
44001	44001-1426-6Z	FORK-FRONT, BLACK			1
44005	44005-1118	PIPE-LEFT FORK OUTER			1
44006	44006-1118	PIPE-RIGHT FORK OUTER			1
44013	44013-1069	PIPE-FORK INNER			2
44022	44022-1065	CYLINDER-FORK			2
44026	44026-1119	SPRING-FRONT FORK, LWR			2
44026A	44026-1137	SPRING-FRONT FORK, UPP			2
44029	44029-022	SEAT-FORK SPRING			2
44029A	44029-1033	SEAT-FORK SPRING			2
44037	44037-1077	HOLDER-FORK UNDER			1
44039	44039-1048	HOLDER-FORK UPPER			1
49006	49006-1047-6Z	BOOT, FORK, BLACK			2
92001	44041-078	BOLT, FORK CYLINDER			2
92001A	92001-1739	BOLT, 8X40			2
92001B	92001-1740	BOLT, 8X55			1
92001C	92001-1741	BOLT, STEERING STEM HEAD			1
92001D	92001-1744	BOLT, 8X50			1
92015	92015-1022	NUT, FLANGED, 8MM			1
92015A	92015-1235	NUT, 8MM			1
92026	92026-1120	SPACER, FORK OUTER TUBE			2
92033	44044-020	RING-SNAP, 45MM			2
92033A	44044-023	RING-SNAP			2
92048	92047-010	RACE, STEERING STEM BEARING			1
92049	92049-1080	SEAL-OIL, FORK OUTER			2
92055	44046-025	RING-O			2
92072	92072-1038	BAND, BOOT			2
92093	44010-027	SEAL, STEERING STEM			1
110	11080608	BOLT, 6X8			2
113	11381035	BOLT-SMALL-FINE, 10X35			2
461	461F0800	WASHER-SPRING, 8MM			4
461A	461F1000	WASHER-SPRING, 10MM			2

This catalog covers:
 '87 KE125-A13 Chassis

GRID NO.
D-13

This grid covers:
 Handlebar

F2310-0220



Ref. No.	Part No.	Description	Spec Code	Quantity- KE125	
				'87	A13
13091	46060-009-21	HOLDER, BRAKE LEVER, FR, F, BLACK			1
13091A	46094-011-21	HOLDER, F, BLACK			1
27010	27021-004	SWITCH, FR BRAKE LAMP			1
46003	46004-033	HANDLE			1
46012	46012-014	HOLDER-HANDLE			2
46019	46019-1005	GRIP-ASSY, THROTTLE			1
46075	46075-1004	GRIP, LH			1
46076	46021-031	LEVER-ASSY-GRIP, BRAKE			1
46076A	46076-035	LEVER-ASSY-GRIP, CLUTCH			1
46091	46091-1041	HOUSING-ASSY-CONTROL, RH			1
46091A	46091-1096	HOUSING-ASSY-CONTROL, LH			1
46092	46058-004	LEVER-GRIP, FRONT BRAKE			1
46092A	46092-005	LEVER-GRIP, CLUTCH			1
49006	49006-1017	BOOT, LEVER HOLDER			2
56001	56002-020	MIRROR-ASSY, RH			1
56003	56003-009	MIRROR-ASSY, LH			1
92001	92001-1910	BOLT, FLANGED, 8X35			4
92001A	92007-046	BOLT, 5X22			2
92009	46055-003	SCREW, CABLE ADJUST, 8MM			2
92015	46056-005	NUT, CABLE ADJUST LOCK			2
92015A	92019-014	NUT, LOCK, 5MM			2
151	151N0625	BOLT-WP			2
220	220B0518	SCREW-PAN-CROS			2
220A	220B0522	SCREW-PAN-CROS			2

This catalog covers:

'87 KE125-A13 Chassis

GRID NO.

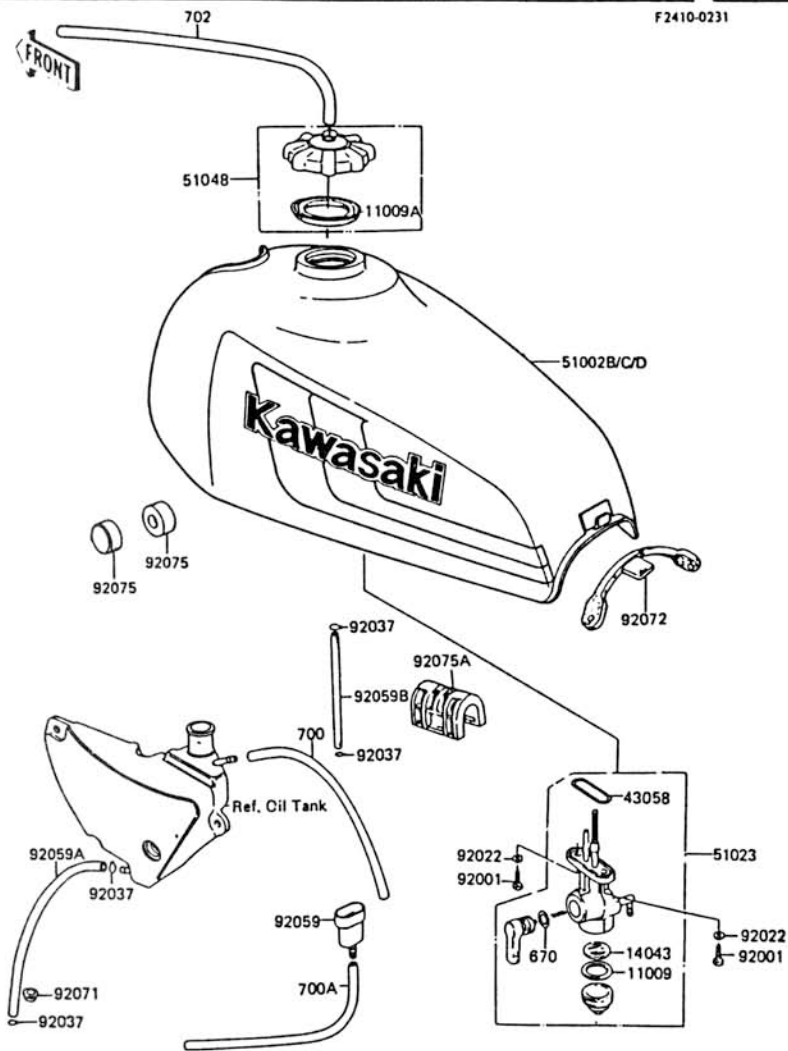
E-4

This grid covers:

Fuel Tank (2/2)

F2410-0231

Ref. No.	Part No.	Description	Spec Code	Quantity- KE125	
				'87	A13
700A	700Q07450	TUBE-PVC, 7X450			1
702	702A05400	TUBE-RUBBER, 5X8X400			1



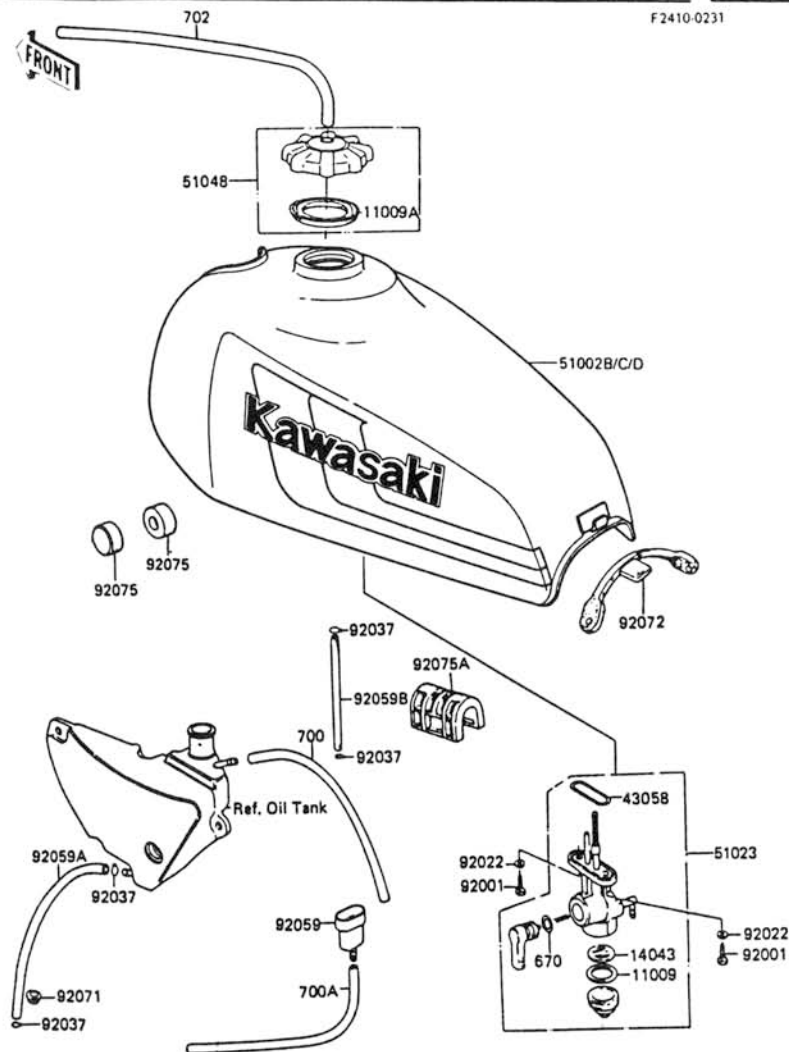
This catalog covers:
 '87 KE125-A13 Chassis

GRID NO.

E-3

This grid covers:
 Fuel Tank (1/2)

F2410-0231



Ref. No.	Part No.	Description	Spec Code	Quantity- KE125	
				'87	A13
11009	11009-1013	GASKET, FUEL TAP CUP		1	
11009A	51059-006	GASKET, FUEL TANK CAP		1	
14043	14043-1002	FILTER, FUEL TAP		1	
43058	51039-003	RING, TAP FLANGED		1	
51002B	51002-5333-F1	TANK-COMP-FUEL, P, WHITE		1	
51002C	51002-5334-B1	TANK-COMP-FUEL, F, RED		1	
51002D	51002-5334-7F	TANK-COMP-FUEL, L, GREEN		1	
51023	51023-1001	TAP-ASSY, FUEL		1	
51048	51048-1004	CAP-ASSY-TANK, FUEL		1	
92001	92001-1091	BOLT, 6X20		2	
92022	92022-183	WASHER, 6, 2X11X1.5		2	
92037	92037-010	CLAMP, TUBE		4	
92059	92059-101	TUBE, CONNECTOR		1	
92059A	92059-106	TUBE, 4, 5X9X300		1	
92059B	92059-129	TUBE, 4, 5X9X380		1	
92071	92071-085	GROMMET, OIL TUBE		1	
92072	92072-049	BAND, FUEL TANK		1	
92075	92075-101	DAMPER, FUEL TANK		2	
92075A	92075-284	DAMPER, FUEL TANK		1	
670	670B2010	O RING, 10MM		1	
700	700Q05400	TUBE-PVC, 5X400		1	

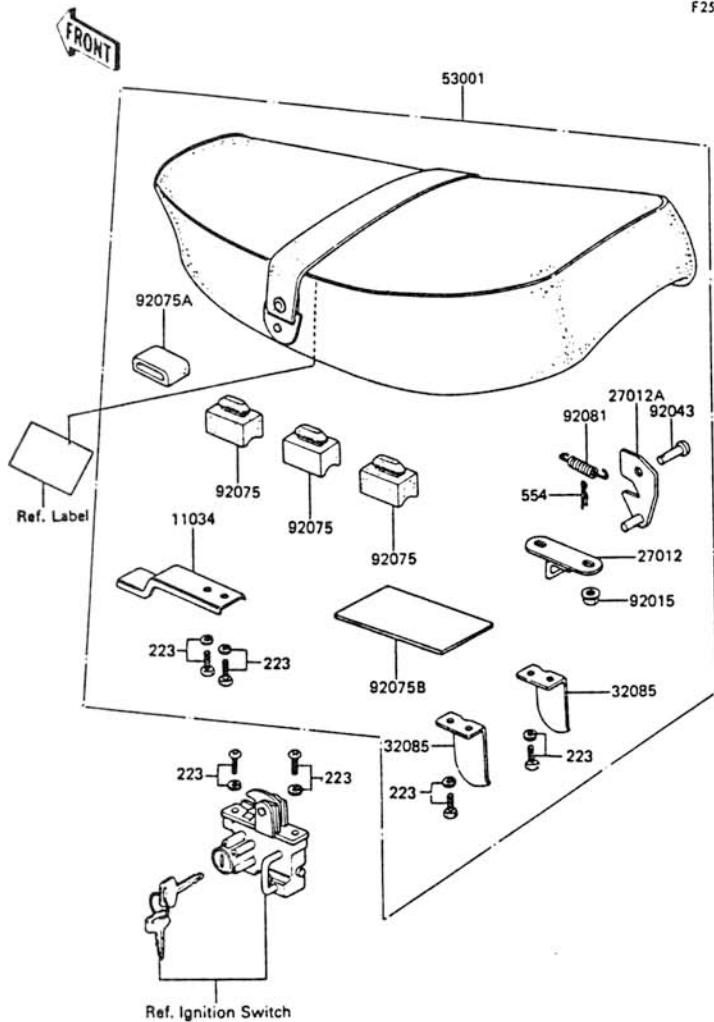
This catalog covers:
 '87 KE125-A13 Chassis

GRID NO.

E-6

This grid covers:
 Seat

F2510-0243



Ref. No.	Part No.	Description	Spec Code	Quantity - KE125	
				'87	A13
11034	53032-005	BRACKET, DUAL SEAT			1
27012	27012-1021	HOOK, SEAT, LH			1
27012A	53008-029	HOOK, SEAT, RH			1
32085	53059-001	STOPPER, SEAT			2
53001	53001-1413	SEAT-ASSY, DUAL, W/BAND			1
92015	92015-1078	NUT, FLANGED, 6MM			2
92043	53011-001	PIN, 6X12			1
92075	92075-216	DAMPER, SEAT			6
92075A	92075-219	DAMPER, SEAT			1
92075B	92075-224	DAMPER, RUBBER			1
92081	53012-003	SPRING			1
223	223B0614	SCREW-PAN-WS-CROS			8
554	554A0600	PIN-SNAP			1

This catalog covers:
 '87 KE125-A13 Chassis

GRID NO.

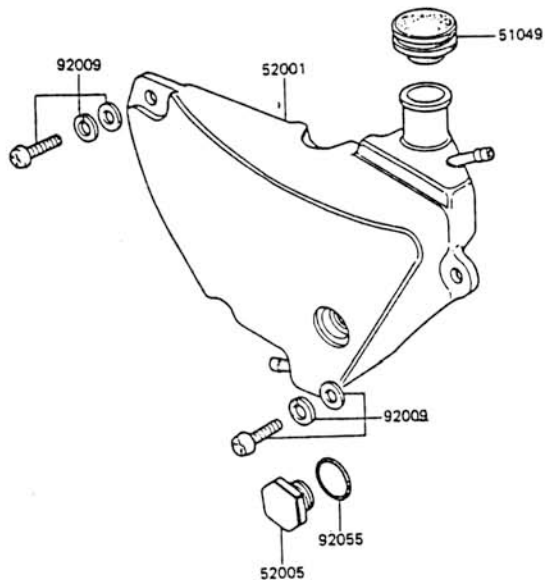
E-5

This grid covers:

Oil Tank

F2450-0017

FRONT



Ref. No.	Part No.	Description	Spec Code	Quantity- KE125		
				'87	A13	
51049	51049-1004	CAP-TANK,OIL		1		
52001	52001-041	TANK-OIL		1		
52005	52015-002	GAUGE,OIL LEVEL		1		
92009	92009-1320	SCREW,6X14		3		
92055	92055-051	RING-O,20MM		1		

This catalog covers:
 '87 KE125-A13 Chassis

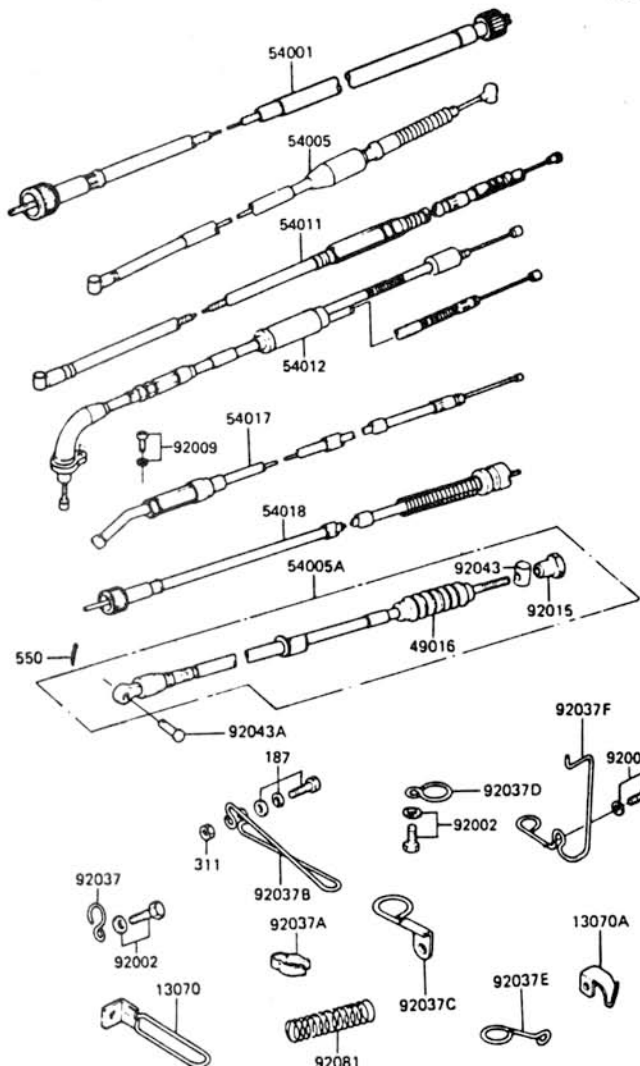
GRID NO.

E-8

This grid covers:

Cable

F2540.0154



Ref. No.	Part No.	Description	Spec Code	Quantity- KE125		
				'87		
				A13		
13070	54030-011	GUIDE, CABLE			1	
13070A	54030-012	GUIDE, CABLE			1	
49016	54009-007	COVER-SEAL, BRAKE CABLE			1	
54001	54001-1035	CABLE-SPEEDOMETER			1	
54005	54005-1032	CABLE-BRAKE, FR			1	
54005A	54022-024	CABLE-BRAKE, RR			1	
54011	54011-1125	CABLE-CLUTCH			1	
54012	54012-1066	CABLE-THROTTLE			1	
54017	54017-064	CABLE-STARTER			1	
54018	54018-018	CABLE-TACHOMETER			1	
92002	92002-1211	BOLT, 6X12			3	
92009	92009-1331	SCREW, 5X10			1	
92015	92015-041	NUT, CABLE ADJUSTER LOCK			1	
92037	92037-U92	CLAMP, CABLE			1	
92037A	92037-093	CLAMP, CABLE			1	
92037B	92037-1014	CLAMP, CABLE			1	
92037C	92037-1015	CLAMP, CABLE			1	
92037D	92037-1034	CLAMP, CABLE, BLACK			1	
92037E	92037-1197	CLAMP, CABLE			1	
92037F	92037-176	CLAMP, CABLE			1	
92043	92043-053	PIN, BRAKE ROD			1	
92043A	92043-107	PIN, 6X17			1	
92081	92081-1365	SPRING, CABLE SUPPORTER			1	
187	187C0625	ROLT-UPSET-WSP			1	
311	311C0600	NUT-HEX, 6MM, BLACK			1	
550	550D2015	PIN-COTTER, 2, 0X15			1	

This catalog covers:
 '87 KE125-A13 Chassis

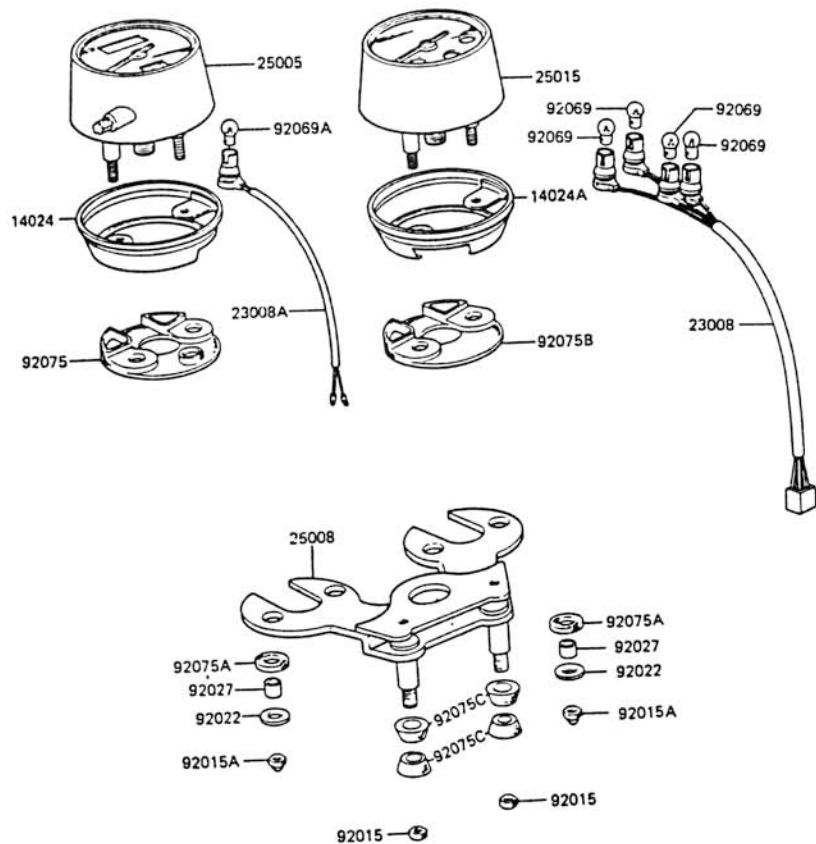
GRID NO.

E-7

This grid covers:

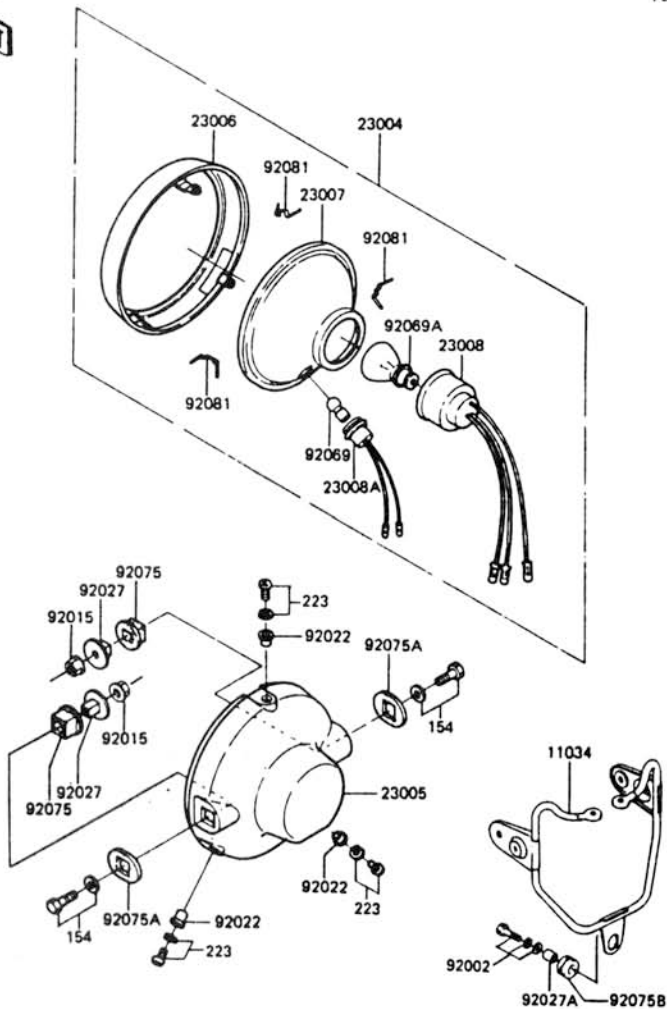
Meter

F2530-0252



Ref. No.	Part No.	Description	Spec Code	Quantity- KE125	
				'87	A13
14024	25012-017	COVER, SPEEDOMETER			1
14024A	25012-018	COVER, TACHOMETER			1
23008	23008-1051	SOCKET-ASSY, TACHOMETER			1
23008A	25010-021	SOCKET-ASSY, SPEEDOMETER			1
25005	25005-112	SPEEDOMETER, KPH			1
25008	25008-034	BRACKET-METER			1
25015	25015-1027	TACHOMETER, SI			1
92015	92015-1391	NUT, 6MM			2
92015A	92020-017	NUT, CAP, 5MM			4
92022	92022-285	WASHER, 5, 2X18X1, 2			4
92027	25021-004	COLLAR, 5, 5X7, 5X12, 2			4
92069	92069-024	BULB, 6V 1, 7W			4
92069A	92069-053	BULB, 6V 3W, CLEAR			1
92075	25019-018	DAMPER, SPEEDOMETER			1
92075A	25019-019	DAMPER, METER			4
92075B	25019-020	DAMPER, TACHOMETER			1
92075C	92075-248	DAMPER, METER BRACKET			4

F2710-0077



Ref. No.	Part No.	Description	Spec Code	Quantity- KE125		
				'87		
				A13		
11034	11034-1701	BRACKET, HEAD LAMP BODY			1	
23004	23004-1029	LAMP-HEAD			1	
23005	23005-1007-6Z	BODY-COMP-HEAD LAMP, BLACK			1	
23006	23006-1007	RIM-LAMP			1	
23007	23007-1020	LENS-COMP, "997-13140" MARK			1	
23008	23008-1043	SOCKET-ASSY, HEAD LAMP			1	
23008A	23008-1044	SOCKET-ASSY, PARKING LAMP			1	
92002	92002-1137	BOLT, 6X25			1	
92015	92015-1014	NUT, FLANGED, 8MM			2	
92022	23021-010	WASHER			3	
92027	92027-1105	COLLAR, L=15,6			2	
92027A	92027-162	COLLAR, 6, 8X10X12			1	
92069	92069-053	BULB, 6V 3W, CLEAR			1	
92069A	92069-1006	BULB, 6V 35/35W			1	
92075	92075-1077	DAMPER, HEAD LAMP			2	
92075A	92075-1078	DAMPER, HEAD LAMP			2	
92075B	92075-209	DAMPER			1	
92081	92081-1144	SPRING, HEAD LAMP LENS UNIT			3	
154	154N0830	BOLT-WP-SMALL			2	
223	223B0512	SCREW-PAN-WS-CROS			3	

This catalog covers:
 '87 KE125-A13 Engine

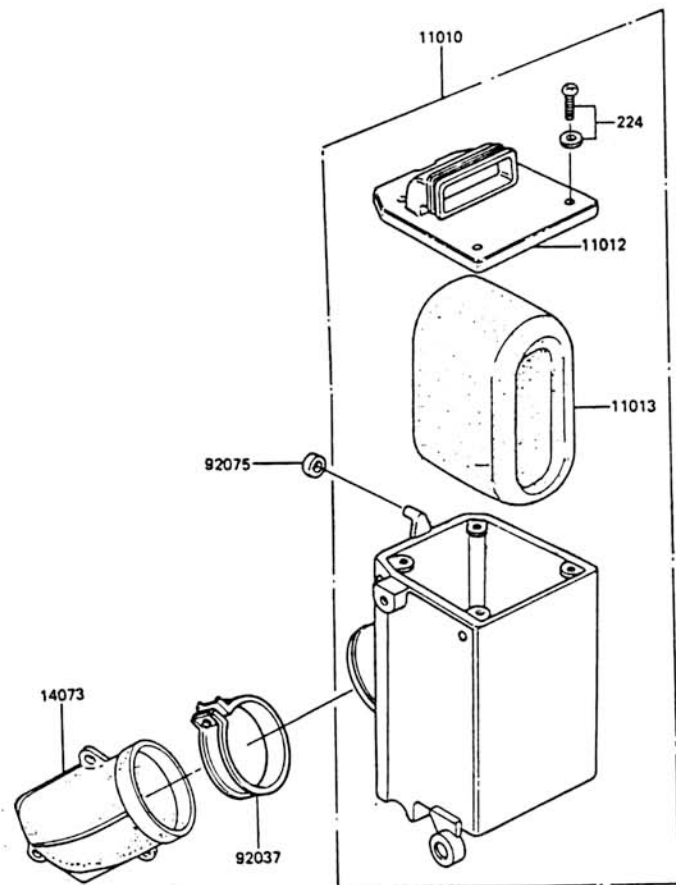
GRID NO.

B-4

This grid covers:

Air Filter

E1130 0163



Ref. No.	Part No.	Description	Spec Code	Quantity- KE125		
				'87		
11010	11010-1126	FILTER-ASSY-AIR				1
11012	11012-1188	CAP,AIR FILTER				1
11013	11013-1052	ELEMENT-AIR FILTER				1
14073	14073-1004	DUCT,AIR FILTER				1
92037	92037-129	CLAMP,AIR FILTER,1D=76,BLACK				1
92075	92075-217	DAMPER,AIR FILTER				1
224	22480416	SCREW-PAN-WP-CROS				4

This catalog covers:
 '87 KE125-A13 Chassis

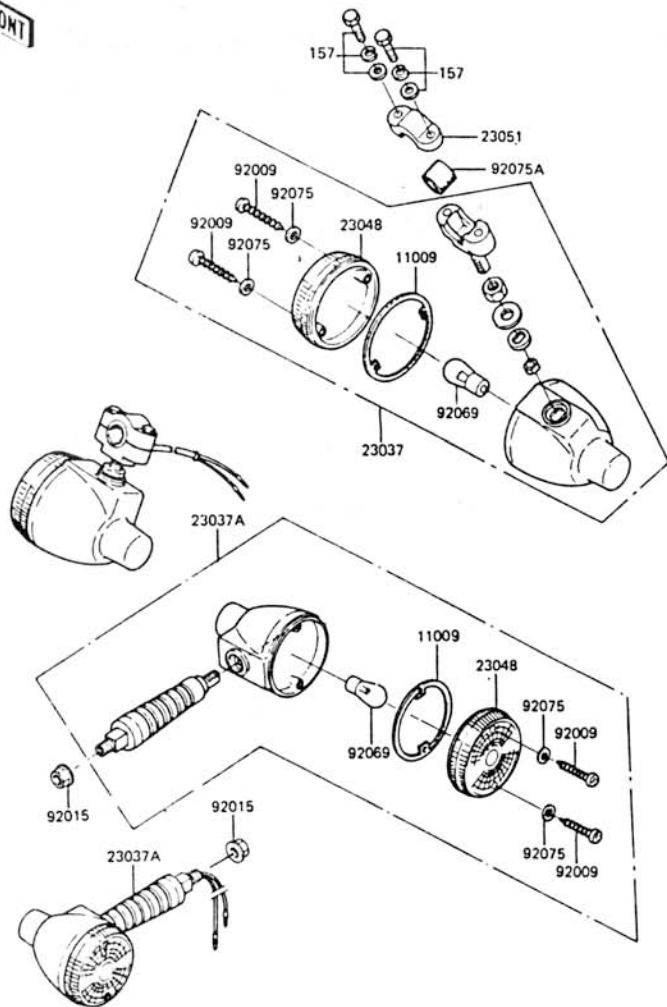
GRID NO.

E-12

This grid covers:
 Turn Signal

F2730-0133

FRONT



Ref. No.	Part No.	Description	Spec Code	Quantity- KE125	
				'87	A13
11009	11009-1128	GASKET,TURN SIGNAL LAMP LENS		4	
23037	23037-1039	LAMP-ASSY-SIGNAL,FR		2	
23037A	23037-1087	LAMP-ASSY-SIGNAL,RR		2	
23048	23048-1076	LENS-SIGNAL LAMP		4	
23051	23051-1018	BRACKET-SIGNAL LAMP		2	
92009	92009-1056	SCREW,TAPPING,4X30		8	
92015	92015-1428	NUT,FLANGED,10MM		2	
92069	92069-056	BULB,6V 21CP		4	
92075	23058-002	WASHER,PLAIN,4MM		8	
92075A	23066-003	DAMPER		2	
157	157B0530	BOLT-WSP		4	

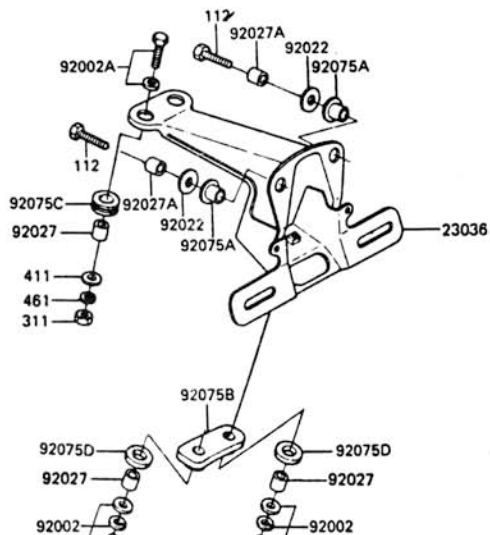
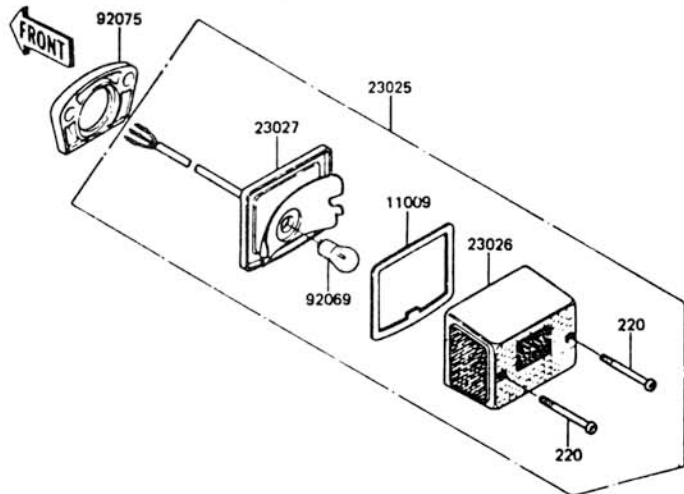
This catalog covers:
 '87 KE125-A13 Chassis

GRID NO.

E-11

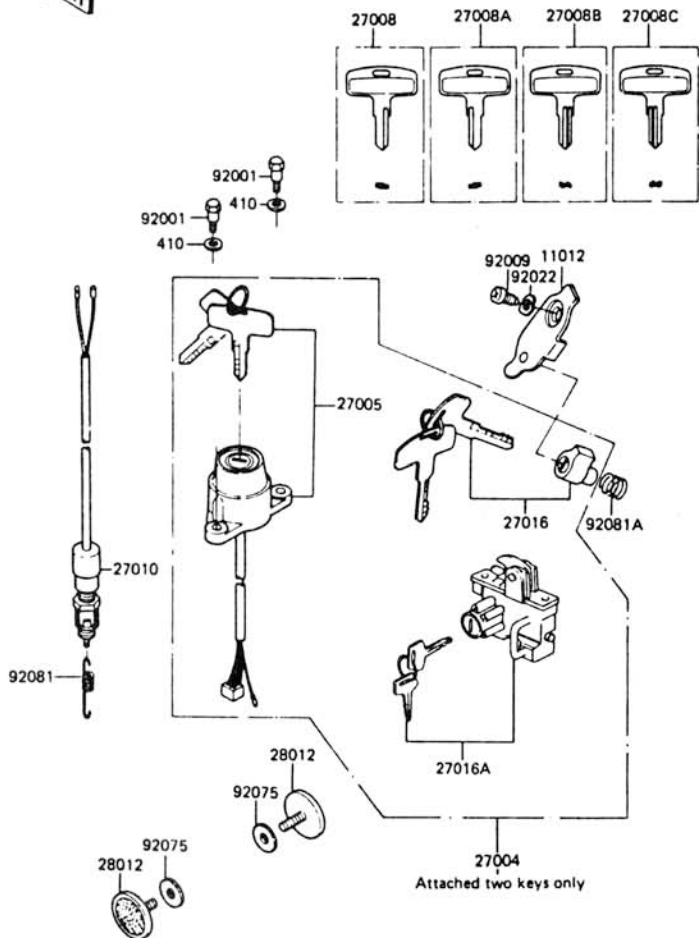
This grid covers:
 Tail Lamp

F2720 0069



Ref. No.	Part No.	Description	Spec Code	Quantity- KE125		
				'87		
				A13		
11009	11009-1078	GASKET, TAIL LAMP LENS			1	
23025	23025-1018	LAMP-TAIL, "040-6633" MARK			1	
23026	23026-1013	LENS, TAIL LAMP			1	
23027	23027-1020	BODY-COMP-TAIL LAMP			1	
23026	23036-1039	BRACKET-TAIL LAMP			1	
92002	92002-1135	BOLT, 6X25			2	
92002A	92002-1137	BOLT, 6X25			2	
92022	92022-125	WASHER, 6, 5X20X1.6			2	
92027	92027-162	COLLAR, 6, 8X10X12			4	
92027A	92027-1819	COLLAR, 6, 1X8X15.7			2	
92069	92069-028	BULB, 6V 17/5, 3W			1	
92075	92075-1094	DAMPER, TAIL LAMP			1	
92075A	92075-1095	DAMPER			2	
92075B	92075-1305	DAMPER			1	
92075C	92075-209	DAMPER			2	
92075D	92075-310	DAMPER, RUBBER			2	
112	112B0625	BOLT-UPSET, 6X25			2	
220	220B0440	SCREW-PAN-CROS			2	
311	311B0600	NUT-HEX, 6MM			2	
411	411B0600	WASHER-PLAIN, 6MM			2	
461	461F0600	WASHER-SPRING, 6MM			2	

F2770-0079



Ref. No.	Part No.	Description	Spec Code	Quantity- KE125	
				'87	A13
11012	11012-1134	CAP, STEERING LOCK		1	
27004	27004-5146	SWITCH-ASSY, ALL		1	
27005	27005-1041	SWITCH-ASSY-IGNITION		1	
27008	27008-1024	KEY-LOCK, BLANK		1	
	(OPTION)				
27008A	27008-1025	KEY-LOCK, BLANK		1	
	(OPTION)				
27008B	27008-1026	KEY-LOCK, BLANK		1	
	(OPTION)				
27008C	27008-1027	KEY-LOCK, BLANK		1	
	(OPTION)				
27010	27010-025	SWITCH, BRAKE LAMP		1	
27016	27016-035	LOCK-ASSY, STEERING		1	
27016A	27016-5044	LOCK-ASSY, SEAT		1	
28012	28012-016	REFLECTOR-REFLEX, FR		2	
92001	92007-026	BOLT, 6MM		2	
92009	92008-007	SCREW, 3, 51MM		1	
92022	92097-003	WASHER, WAVE		1	
92075	92094-011	DAMPER, REFLECTOR		2	
92081	27011-006	SPRING, BRAKE LAMP SWITCH		1	
92081A	27032-001	SPRING, STEERING LOCK		1	
410	41080800	WASHER-PLAIN-SMALL, 8MM		2	

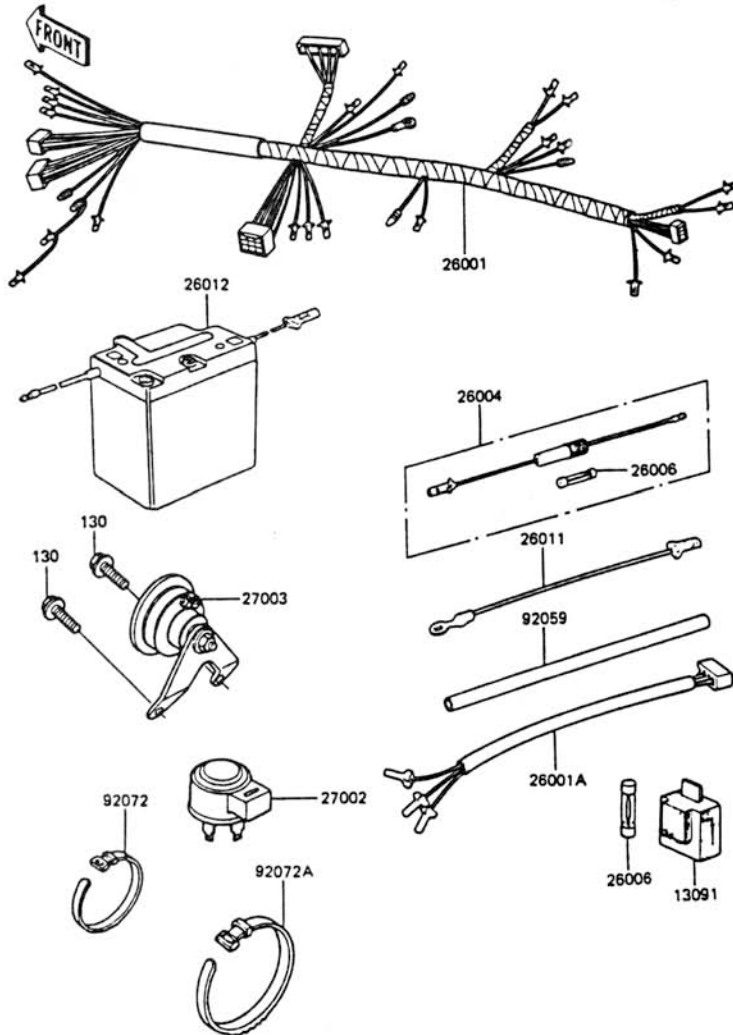
This catalog covers:
 '87 KE125-A13 Chassis

GRID NO.

E-13

This grid covers:
 Electrical Equipment

F2760-0317



Ref. No.	Part No.	Description	Spec Code	Quantity- KE125		
				'87	A13	
13091	26016-004	HOLDER, SPARE FUSE		1		
26001	26001-1621	HARNESS, MAIN		1		
26001A	26002-046	HARNESS, TAIL LAMP		1		
26004	26004-025	FUSE-ASSY		1		
26006	26006-007	FUSE, 15A		3		
26011	26011-093	WIRE-LEAD		1		
26012	26012-034	BATTERY, 6V 6AH, W/LABEL		1		
27002	27002-013	RELAY-ASSY, TURN SIGNAL		1		
27003	27003-1008	HORN		1		
92059	92059-1143	TUBE, 6X7X380		2		
92072	92072-030	BAND, L=123		6		
92072A	92072-032	BAND, L=218		3		
130	13000614	BOLT-FLANGED, 6X14		2		

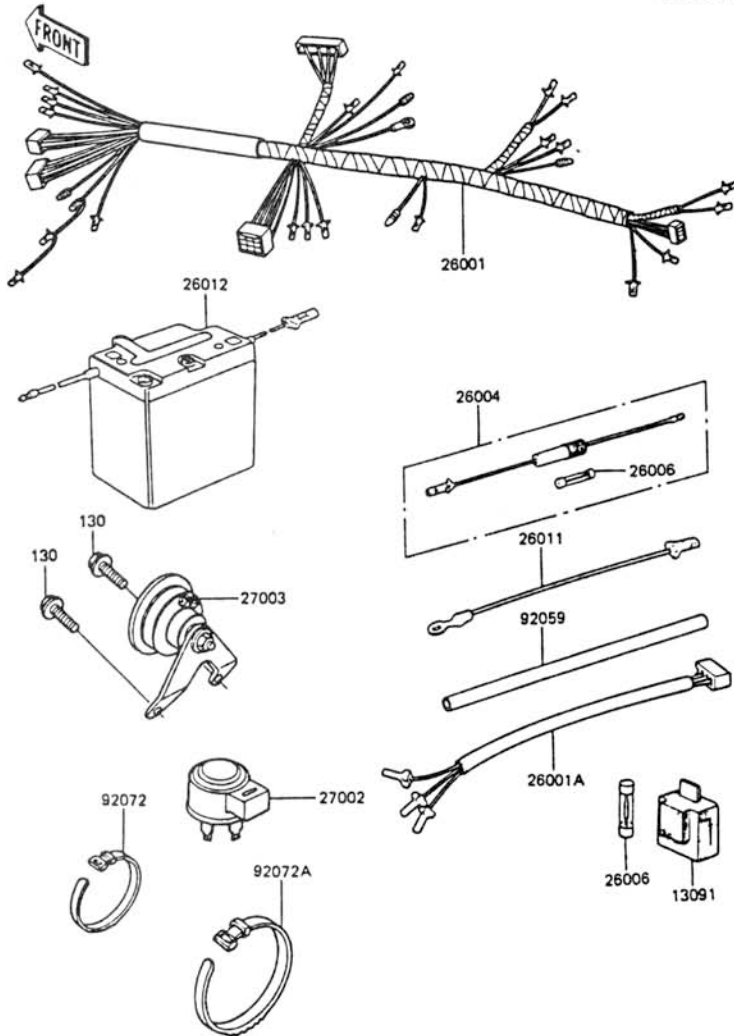
This catalog covers:
 '87 KE125-A13 Chassis

GRID NO.

E-13

This grid covers:
 Electrical Equipment

F2760-0317



Ref. No.	Part No.	Description	Spec Code	Quantity- KE125		
				'87		
				A13		
13091	26016-004	HOLDER, SPARE FUSE			1	
26001	26001-1621	HARNESS, MAIN			1	
26001A	26002-046	HARNESS, TAIL LAMP			1	
26004	26004-025	FUSE-ASSY			1	
26006	26006-007	FUSE, 15A			3	
26011	26011-093	WIRE-LEAD			1	
26012	26012-034	BATTERY, 6V 6AH, W/LABEL			1	
27002	27002-013	RELAY-ASSY, TURN SIGNAL			1	
27003	27003-1008	HORN			1	
92059	92059-1143	TUBE, 6X7X380			2	
92072	92072-030	BAND, L=123			6	
92072A	92072-032	BAND, L=218			3	
130	130D0614	BOLT-FLANGED, 6X14			2	

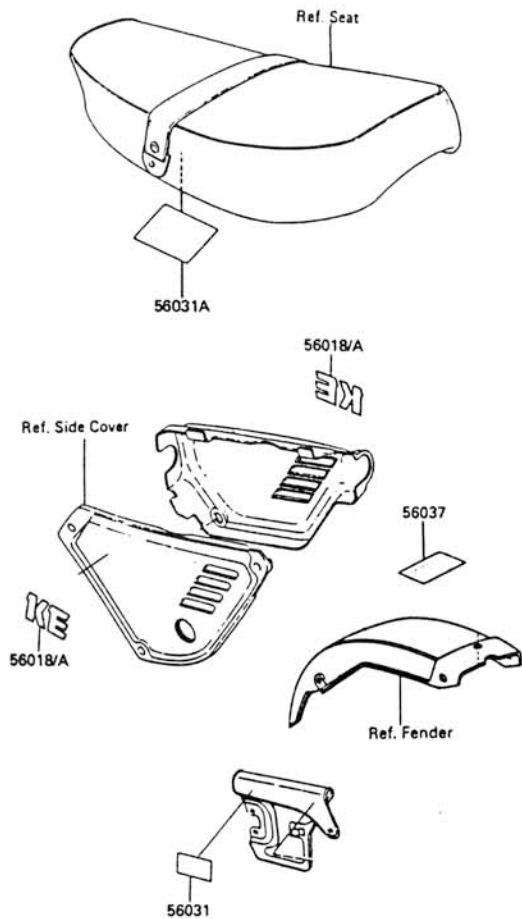
This catalog covers:
 '87 KE125-A13 Chassis

GRID NO.

F-4

This grid covers:
 Label

F2860-0266



Ref. No.	Part No.	Description	Spec Code	Quantity- KE125			
				'87			
56018	56018-1903	MARK, SIDE COVER, KE, FOR WHITE		2			
56018A	56018-1943	MARK, SIDE COVER, KE, FOR GREEN		2			
56031	56031-1055	LABEL-MANUAL, CHAIN		1			
56031A	56031-1183	LABEL-MANUAL, BATTERY VENT		1			
56037	56037-1159	LABEL-SPECIFICATION, TIRE&LOAD		1			

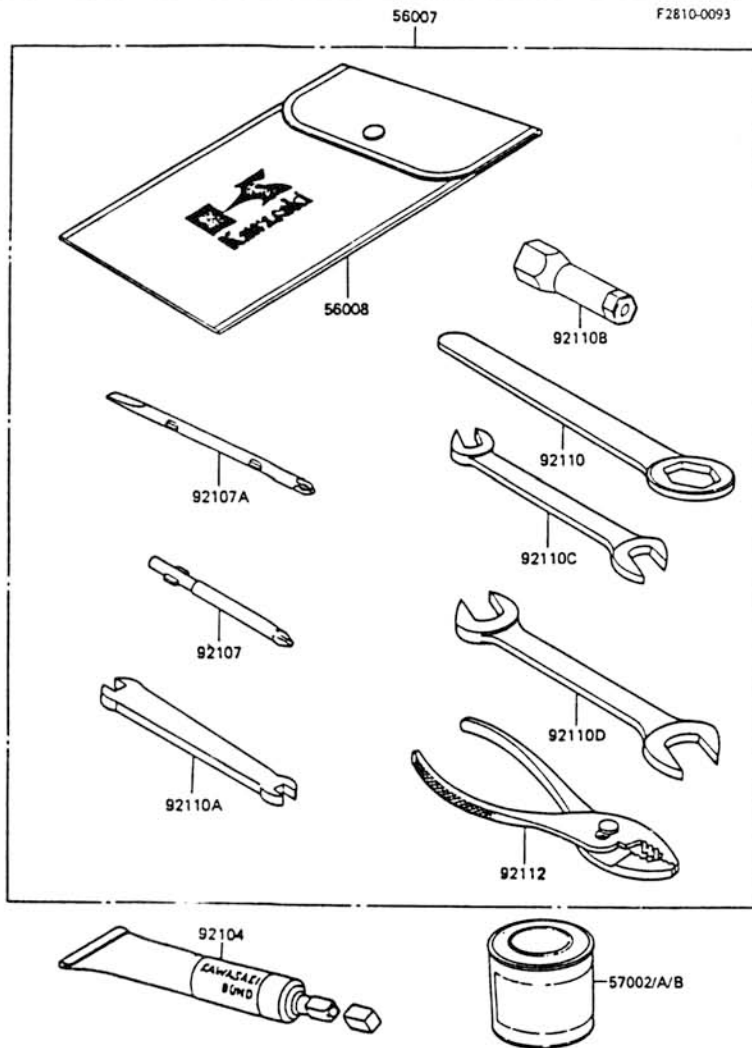
This catalog covers:
 '87 KE125-A13 Chassis

GRID NO.

F-3

This grid covers:
 Tool

F2810-0093



Ref. No.	Part No.	Description	Spec Code	Quantity- KE125		
				'87	A13	
56007	56007-1204	TOOLKIT				1
56008	56008-1007	BAG, TOOL				1
57002	56019-108-B1	PAINT, 1/12L, F, RED				1
57002A	56019-108-F1	PAINT, 1/12L, P, WHITE				1
57002B	56019-108-7F	PAINT, 1/12L, L, GREEN				1
92104	92104-002	GASKET-LIQUID, TUBE, 100G, SILVER				1
92107	92107-005	TOOL-DRIVER, #3PHILLIPS				1
92107A	92107-1051	TOOL-DRIVER, #2PHILLIPS&SLOT				1
92110	92110-1024	TOOL-WRENCH, BOX END, 22MM				1
92110A	92110-1044	TOOL-WRENCH, SPOKE, 5, 1X5, 8				1
92110B	92110-1113	TOOL-WRENCH, BOX, 21MM				1
92110C	92110-1117	TOOL-WRENCH, OPEN END, 10X12				1
92110D	92126-003	TOOL-WRENCH, OPEN END, 14X17				1
92112	92112-003	TOOL-PLIERS				1

Part No.	Grid No.	Part No.	Grid No.	Part No.	Grid No.	Part No.	Grid No.	Part No.	Grid No.	Part No.	Grid No.
34028-1013.....	D-6	41068-1101.....	D-11	46091-1041.....	D-13	54018-018.....	E-8	671B2530.....	D-5	92015-1124.....	D-7
34028-1014.....	D-6	41078-1019.....	D-10	46091-1096.....	D-13	54022-024.....	E-8	700Q05400.....	E-3	92015-1156.....	D-10
35004-1030-6F.....	D-7	41085-002.....	D-10	46092-005.....	D-13	54030-011.....	E-8	700Q07450.....	E-4	92015-1189.....	D-4
35004-1030-6L.....	D-7	41085-011.....	D-10	46094-011-21.....	D-13	54030-012.....	E-8	702A05400.....	E-4	92015-1190.....	D-5
35004-1030-6W.....	D-7	41180600.....	E-11	46098-018.....	D-3	550P2015.....	D-6	92001-1091.....	E-3	92015-1193.....	C-6
35021-005.....	D-7	42008-031.....	D-11	461E1200.....	B-3	550P2015.....	E-8	92001-131.....	B-11	92015-1205.....	D-4
35022-100.....	D-7	42010-029.....	D-11	461F0600.....	E-11	550P2515.....	D-6	92001-1401.....	B-11	92015-1235.....	D-14
35022-1083-B1.....	D-7	42014-023.....	D-11	461F0800.....	D-14	550P3025.....	D-11	92001-146.....	B-14	92015-1364.....	D-5
35022-1083-F1.....	D-7	42019-010.....	D-11	461F1000.....	D-14	55011-020.....	D-3	92001-1616.....	D-4	92015-1365.....	B-3
35022-1083-7F.....	D-7	42026-025.....	D-11	461F1200.....	B-3	55016-008.....	D-3	92001-1671.....	D-12	92015-1383.....	D-3
35024-002.....	D-7	42029-030.....	D-11	461K0800.....	B-5	55020-1026.....	D-5	92001-1672.....	D-12	92015-1391.....	E-7
36001-1080-6F.....	E-9	42036-018.....	D-11	461K1000.....	D-12	55020-1045.....	D-3	92001-1739.....	D-14	92015-1428.....	E-12
36001-1080-6L.....	E-9	42041-146.....	D-11	464H0600.....	B-10	55020-1063.....	D-5	92001-1740.....	D-14	92015-1435.....	D-6
36001-1080-6W.....	E-9	42041-147.....	D-11	480J1300.....	B-7	554A0600.....	E-6	92001-1741.....	D-14	92019-008.....	D-7
36001-1094-6F.....	E-9	42045-020.....	D-11	480J1600.....	B-7	554A0800.....	D-12	92001-1744.....	D-14	92019-014.....	D-13
36001-1094-6L.....	E-9	43001-058.....	D-12	480J1900.....	D-10	56002-020.....	D-13	92001-1763.....	D-3	92020-003.....	D-5
36001-1094-6W.....	E-9	43005-032.....	D-12	480J2200.....	D-12	56003-009.....	D-13	92001-1763.....	D-7	92020-017.....	E-7
36014-051-21.....	E-9	43007-048.....	D-12	480J3000.....	B-10	56007-1204.....	F-3	92001-1772.....	D-7	92022-037.....	C-4
39137-1011.....	D-7	43081-002.....	D-12	481J3500.....	D-11	56008-1007.....	F-3	92001-1780.....	D-4	92022-044.....	D-5
41080600.....	D-10	44001-1426-6Z.....	D-14	481J3700.....	D-10	56018-1903.....	F-4	92001-1788.....	D-8	92022-072.....	B-3
41080600.....	D-11	44005-1118.....	D-14	481J4200.....	D-11	56018-1943.....	F-4	92001-1910.....	D-13	92022-077.....	B-5
41080800.....	E-14	44006-1118.....	D-14	482J6000.....	C-4	56019-108-B1.....	F-3	92001-1958.....	D-4	92022-077.....	C-4
41002-1215.....	D-9	44010-027.....	D-14	482J7000.....	C-4	56019-108-F1.....	F-3	92002-1076.....	D-5	92022-1006.....	C-4
41002-1216.....	D-9	44013-1069.....	D-14	49006-1017.....	D-13	56019-108-7F.....	F-3	92002-1087.....	D-4	92022-1019.....	B-7
41022-1021.....	D-9	44022-1065.....	D-14	49006-1047-6Z.....	D-14	56031-1055.....	F-4	92002-1096.....	D-7	92022-125.....	E-11
41022-1022.....	D-9	44026-1119.....	D-14	49047-1060.....	B-10	56031-1183.....	F-4	92002-1135.....	E-11	92022-1317.....	B-5
41023-1007.....	D-9	44026-1137.....	D-14	49099-1028.....	B-5	56037-1159.....	F-4	92002-1137.....	E-10	92022-1345.....	B-5
41023-1008.....	D-9	44029-022.....	D-14	510A3200.....	B-6	600A0600.....	D-3	92002-1137.....	E-11	92022-1536.....	B-7
41024-007.....	D-9	44029-1033.....	D-14	51002-5333-F1.....	E-3	600A0700.....	B-8	92002-1211.....	E-8	92022-1538.....	D-5
41025-044.....	D-9	44037-1077.....	D-14	51002-5334-B1.....	E-3	600A0800.....	B-7	92002-1237.....	B-11	92022-1540.....	D-5
41025-078.....	D-9	44039-1048.....	D-14	51002-5334-7F.....	E-3	601B6004.....	B-12	92003-078.....	B-8	92022-1568.....	D-6
41027-068.....	D-9	44041-078.....	D-14	51023-1001.....	E-3	601B6004.....	D-11	92003-130.....	B-8	92022-1583.....	D-12
41027-069.....	D-9	44044-020.....	D-14	51039-003.....	E-3	601B6201.....	D-10	92004-1015.....	D-11	92022-167.....	B-8
41027-070.....	D-9	44044-023.....	D-14	51048-1004.....	E-3	601B6202.....	D-11	92004-1119.....	B-3	92022-183.....	E-3
41027-071.....	D-9	44045-051.....	D-14	51049-1004.....	E-5	601B6203.....	B-12	92007-026.....	E-14	92022-228.....	D-4
41028-068.....	D-9	44045-052.....	D-14	51059-006.....	E-3	601B6204.....	B-12	92007-046.....	D-13	92022-228.....	D-7
41028-069.....	D-9	44046-023.....	D-14	52001-041.....	E-5	601B6301.....	D-10	92008-007.....	E-14	92022-267.....	B-7
41028-070.....	D-9	45014-1142.....	D-5	52015-002.....	E-5	601B6304.....	B-12	92009-1010.....	C-4	92022-268.....	B-7
41034-1024.....	D-10	45016-003.....	D-5	53001-1413.....	E-6	601B6504.....	B-12	92009-1056.....	E-12	92022-269.....	B-7
41034-1025.....	D-10	45017-010.....	D-5	53008-029.....	E-6	610A0406.....	B-10	92009-1091.....	E-9	92022-270.....	B-8
41035-1035.....	D-10	46004-033.....	D-13	53011-001.....	E-6	610A0410.....	B-6	92009-1312.....	B-7	92022-271.....	B-9
41035-1036.....	D-11	46012-014.....	D-13	53012-003.....	E-6	610A0512.....	B-12	92009-1320.....	E-5	92022-272.....	B-9
41039-025.....	D-10	46019-1005.....	D-13	53032-005.....	E-6	65A4223508.....	D-11	92009-1331.....	E-8	92022-273.....	B-9
41048-015.....	D-10	46021-031.....	D-13	53059-001.....	E-6	65A4405208.....	D-10	92014-015.....	B-8	92022-275.....	B-12
41050-012.....	D-10	46055-003.....	D-13	54001-1035.....	E-8	670B2010.....	B-8	92015-006.....	B-6	92022-285.....	E-7
41053-020.....	D-10	46056-005.....	D-13	54005-1032.....	E-8	670B2010.....	E-3	92015-020.....	B-3	92022-315.....	B-7
41059-024.....	D-10	46058-004.....	D-13	54009-007.....	E-8	670B2016.....	B-6	92015-041.....	E-8	92024-003.....	B-6
41064-011.....	D-10	46060-009-21.....	D-13	54011-1125.....	E-8	670B2016.....	B-13	92015-1014.....	E-10	92024-046.....	B-9
41065-004.....	D-10	46075-1004.....	D-13	54012-1066.....	E-8	670B2020.....	B-13	92015-1022.....	D-14	92024-052.....	B-9
41068-1064.....	D-10	46076-035.....	D-13	54017-064.....	E-8	670B3028.....	B-13	92015-1078.....	E-6	92024-055.....	B-9

Part No.	Grid No.	Part No.	Grid No.	Part No.	Grid No.	Part No.	Grid No.	Part No.	Grid No.	Part No.	Grid No.
11080608.....	D-14	13097-1040.....	B-8	14039-001.....	B-13	16090-004.....	C-4	220x0516.....	B-13	26002-046.....	E-13
11060622.....	D-10	131x0608.....	B-5	14043-1002.....	E-3	16091-001.....	C-4	220x0612.....	B-12	26004-025.....	E-13
11060622.....	D-11	13116-016.....	B-8	14044-012.....	B-13	16093-007.....	C-4	220x0612.....	B-13	26006-007.....	E-13
11001-1033.....	B-3	13116-026.....	B-8	14045-017.....	B-13	16094-002.....	C-4	220x0620.....	B-12	26011-093.....	E-13
11004-064.....	B-3	13116-027.....	B-8	14046-029.....	B-13	16115-020.....	B-13	220x0620.....	B-13	26012-034.....	E-13
11005-1074.....	B-3	13127-045.....	B-9	14065-007.....	B-13	16116-006.....	B-13	220x0625.....	B-12	26016-004.....	E-13
11009-037.....	B-3	13128-040.....	B-9	14069-002.....	B-12	16134-022.....	C-4	220x0630.....	B-13	27002-013.....	E-13
11009-1013.....	E-3	13129-050.....	B-9	14073-1004.....	B-4	16136-009.....	B-13	220x0635.....	B-13	27003-1008.....	E-13
11009-1078.....	E-11	13129-1010.....	B-9	14076-006.....	B-13	17260870.....	B-12	220x0640.....	B-12	27004-5146.....	E-14
11009-1128.....	E-12	13129-1011.....	B-9	14077-003.....	B-13	18080614.....	D-4	220x0645.....	B-13	27005-1041.....	E-14
11009-1277.....	B-13	13129-1015.....	B-9	15001-1402.....	B-14	18080616.....	D-4	220x0660.....	B-12	27008-1024.....	E-14
11010-1126.....	B-4	13129-1018.....	B-9	151N0625.....	D-13	18080625.....	D-4	22180614.....	C-5	27008-1025.....	E-14
11012-1124.....	D-14	13129-1021.....	B-9	154N0830.....	E-10	180C0612.....	D-5	22180616.....	B-12	27008-1026.....	E-14
11012-1134.....	E-14	13130-036.....	B-9	15780530.....	E-12	18001-1550.....	B-5	22380414.....	C-3	27008-1027.....	E-14
11012-1188.....	B-4	13131-043.....	B-9	160N1035.....	D-5	18006-1135.....	B-5	22380430.....	C-5	27010-025.....	E-14
11013-1052.....	B-4	13137-043.....	B-9	16002-007.....	B-14	18061-060.....	B-5	22380510.....	C-5	27011-006.....	E-14
11034-1701.....	E-10	13140-058.....	B-10	16003-004.....	B-14	18063-005.....	B-5	22380512.....	E-10	27012-1021.....	E-6
11280625.....	E-11	13140-059.....	B-10	16004-024.....	B-14	18067-008.....	B-5	22380614.....	E-6	27016-035.....	E-14
11381035.....	D-14	13140-060.....	B-10	16006-024.....	B-14	18069-057.....	B-5	22480416.....	B-4	27016-5044.....	E-14
115C0845.....	D-7	13142-017.....	B-10	16007-1023.....	B-14	18070-007.....	B-5	22580412.....	C-5	27021-004.....	D-13
115J0825.....	B-7	13144-053.....	B-9	16008-010.....	B-14	183C0828.....	B-5	23004-1029.....	E-10	27032-001.....	E-14
12002-029.....	B-6	13144-054.....	B-9	16008-011.....	B-14	185C0816.....	B-5	23005-1007-62.....	E-10	28012-016.....	E-14
13000614.....	E-13	13144-066.....	B-9	16008-012.....	B-14	185C0816.....	D-7	23006-1007.....	E-10	31180600.....	B-8
13001-1237.....	B-6	13145-1001.....	B-10	16009-1069.....	B-14	18680618.....	D-7	23007-1020.....	E-10	31180600.....	D-4
13002-1002.....	B-6	13151-019.....	B-10	16012-017.....	B-14	187C0625.....	E-8	23008-1043.....	E-10	31180600.....	E-11
13008-1099.....	B-6	13156-053.....	B-11	16013-003.....	B-14	21003-1051.....	C-5	23008-1044.....	E-10	311C0600.....	E-8
13024-1078.....	B-6	13157-004.....	B-11	16014-002.....	B-14	21008-006.....	C-5	23008-1051.....	E-7	31581400.....	B-9
13025-1089.....	B-6	13161-040.....	B-11	16016-002.....	B-14	21013-006.....	C-5	23021-010.....	E-10	315C1000.....	D-8
13027-1139.....	B-6	13169-002.....	B-11	16017-1065.....	B-14	21017-002.....	C-5	23025-1018.....	E-11	315C1000.....	D-12
13029-1151.....	B-6	13187-004.....	B-8	16019-023.....	B-14	21029-030.....	C-5	23026-1013.....	E-11	315G1200.....	B-6
13031-1043.....	B-6	13206-010.....	B-7	16021-023.....	B-14	21047-021.....	C-5	23027-1020.....	E-11	31780800.....	D-11
13033-038.....	B-6	13209-014.....	B-10	16022-005.....	C-3	21048-1002.....	C-5	23036-1039.....	E-11	317C0800.....	B-5
13034-036.....	B-6	13223-007.....	C-4	16022-007.....	C-3	21049-017.....	C-5	23037-1039.....	E-12	32002-1756.....	D-3
13035-033.....	B-6	13224-010.....	C-4	16025-1049.....	B-14	21049-1012.....	C-5	23037-1087.....	E-12	32085-1061.....	B-7
13037-1083.....	B-6	13229-002.....	B-8	16029-004.....	B-14	21050-1026.....	C-5	23048-1076.....	E-12	32097-030.....	D-4
13037-1084.....	B-6	13234-003.....	B-8	16029-007.....	B-14	21061-017.....	C-5	23051-1018.....	E-12	32098-022.....	D-4
13044-031.....	B-6	13239-018.....	B-10	16030-024.....	B-14	21121-1117.....	C-6	23058-002.....	E-12	32103-023.....	D-4
13061-1045.....	B-7	13248-003.....	B-9	16031-026.....	B-14	21130-016.....	C-6	23066-003.....	E-12	32103-027.....	D-4
13064-1107.....	B-7	14002-1006-21.....	B-12	16032-006.....	B-14	21131-004.....	C-6	236C0612.....	E-9	33001-1060.....	D-5
13066-1012.....	B-7	14002-1007-21.....	B-12	16034-008.....	B-14	21132-005.....	C-6	25005-112.....	E-7	33032-034.....	D-5
13068-032.....	B-7	14014-028.....	B-12	16065-033.....	B-15	22080406.....	C-5	25008-034.....	E-7	33033-006.....	D-5
13070-008.....	B-7	14014-029.....	B-12	16077-010.....	B-14	22080440.....	E-11	25010-021.....	E-7	33034-016.....	D-5
13073-011.....	B-7	14019-055.....	B-13	16077-011.....	B-14	22080514.....	C-4	25012-017.....	E-7	33035-005.....	D-5
13075-010.....	B-7	14026-1030.....	B-13	16082-1014.....	C-4	22080518.....	D-13	25012-018.....	E-7	33036-007.....	D-5
13078-1052.....	B-7	14030-060.....	B-13	16085-020.....	C-4	22080522.....	D-13	25015-1027.....	E-7	33040-1010.....	D-5
13081-1053.....	B-8	14030-1013.....	B-13	16085-021.....	C-4	22080528.....	C-4	25019-018.....	E-7	34003-1111.....	D-6
13087-038.....	B-8	14031-1053.....	B-13	16085-022.....	C-4	22080614.....	B-10	25019-019.....	E-7	34003-1112.....	D-6
13088-025.....	B-8	14032-1035.....	B-13	16086-003.....	C-4	22080614.....	B-11	25019-020.....	E-7	34024-1095.....	D-8
13089-003.....	B-8	14038-039.....	B-13	16088-002.....	C-4	22080620.....	B-7	25021-004.....	E-7	34025-008.....	D-8
13095-1034.....	B-8	14038-040.....	B-13	16090-002.....	C-4	220x0508.....	D-12	26001-1621.....	E-13	34028-009.....	D-6

This catalog covers:
 '87 KE125-A13 Engine

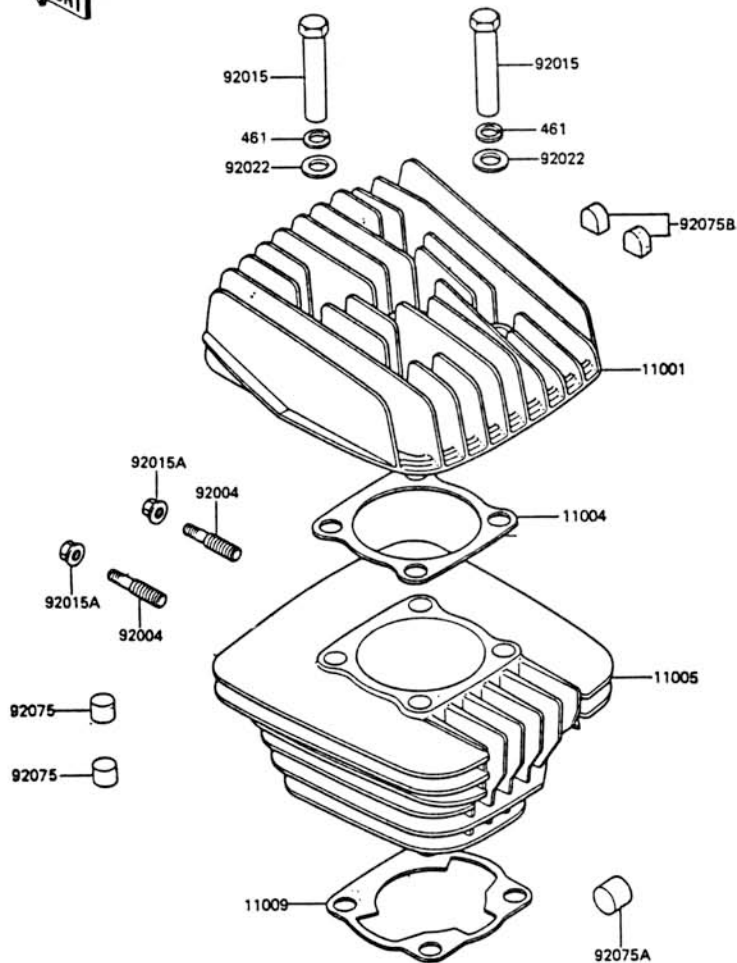
GRID NO.

B-3

This grid covers:
 Cylinder Head/Cylinder

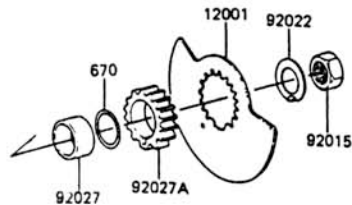
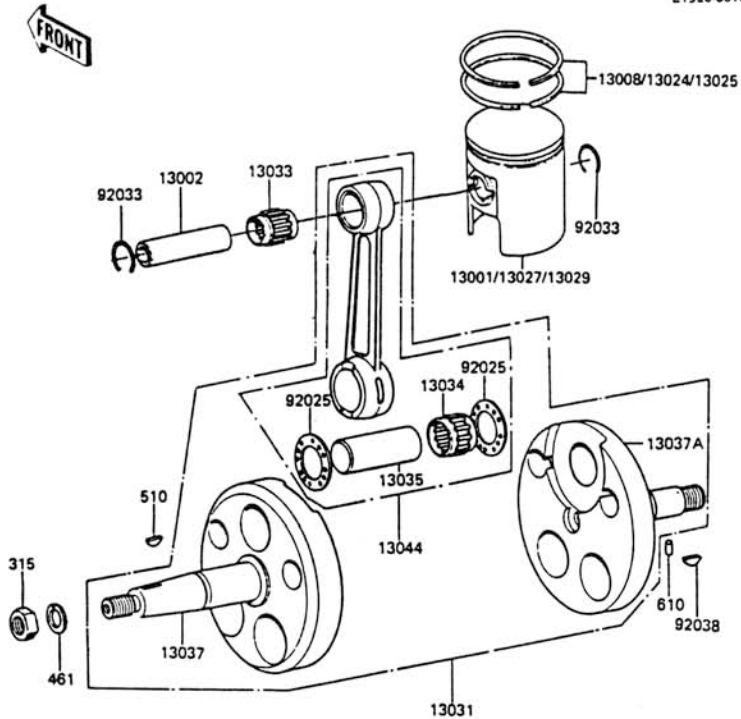
E1110-0007

FRONT



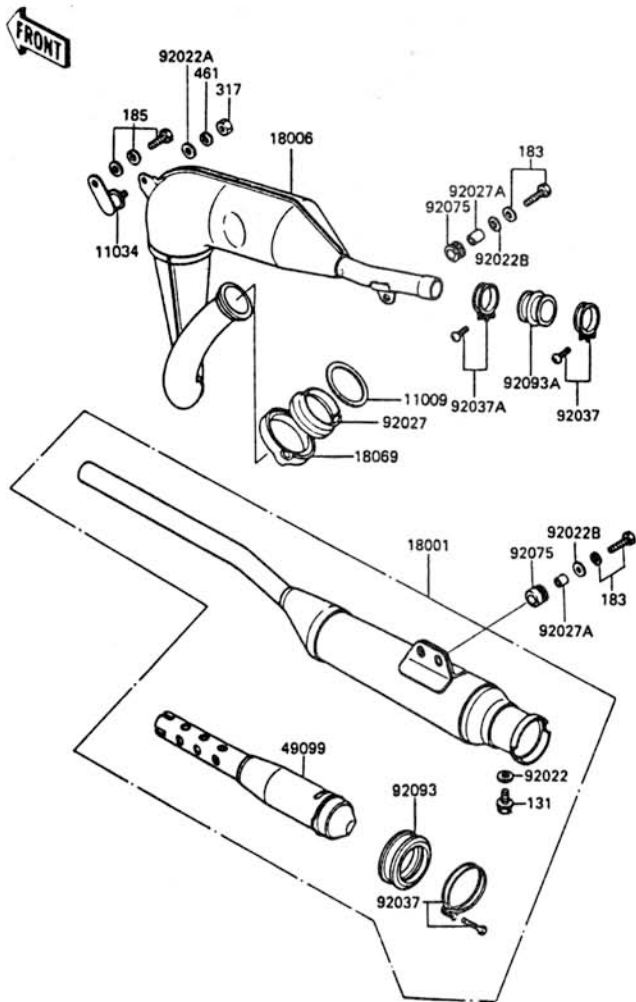
Ref. No.	Part No.	Description	Spec Code	Quantity- KE125		
				'87		
11001	11001-1033	HEAD-CYLINDER,F,BLACK			1	
11004	11004-064	GASKET-HEAD,CYLINDER,T=0.5			1	
11005	11005-1074	CYLINDER-ENGINE,F,BLACK			1	
11009	11009-037	GASKET,CYLINDER BASE			1	
92004	92004-1119	STUD,6X22,5			2	
92015	92015-020	NUT,CAP,8MM			4	
92015A	92015-1365	NUT,6MM			2	
92022	92022-072	WASHER,12,5X21X1,2			4	
92075	92075-109	DAMPER,CYLINDER HEAD/CYLINDER			10	
92075A	92075-117	DAMPER,CYLINDER HEAD			2	
92075B	92075-1176	DAMPER,CYLINDER HEAD			12	
461	461F1200	WASHER-SPRING,12MM			4	

E1320-0010



Ref. No.	Part No.	Description	Spec Code	Quantity- KE125		
				'87		
				A13		
12001	12002-029	VALVE-ROTARY			1	
13001	13001-1237	PISTON-ENGINE,STD			1	
13002	13002-1002	PIN-PISTON			1	
13008	13008-1099	RING-SET-PISTON,STD			1	
13024	13024-1078	RING-SET-PISTON LL,0/S 1.00			1	
13025	13025-1089	RING-SET-PISTON L,0/S 0.50			1	
13027	13027-1139	PISTON-ENGINE LL,0/S 1.00			1	
13029	13029-1151	PISTON-ENGINE L,0/S 0.50			1	
13031	13031-1043	CRANKSHAFT-COMP			1	
13033	13033-038	BEARING-SMALL END			1	
13034	13034-036	BEARING-BIG END			1	
13035	13035-033	PIN-CRANK			1	
13037	13037-1083	CRANKSHAFT,LH			1	
13037A	13037-1084	CRANKSHAFT,RH			1	
13044	13044-031	SET-CONNECTING ROD			1	
92015	92015-006	NUT,12MM			1	
92022	92024-003	WASHER,CLAW,12,5X25X0,8			1	
92025	92025-005	SHIM,20X34,5X1,0			2	
92027	92027-1077	COLLAR,20X25X12,5			1	
92027A	92027-1272	COLLAR,ROTARY VALVE			1	
92033	92036-003	RING-SNAP,PISTON PIN			2	
92038	92038-003	KEY,WOODRUFF			1	
315	315G1200	NUT-HEX-FINE			1	
461	461E1200	WASHER-SPRING,12MM			1	
510	510A3200	KEY-WOODRUFF			1	
610	610A0410	ROLLER,4X10			1	
670	670B2016	O RING,16MM			1	

E1140-0210



Ref. No.	Part No.	Description	Spec Code	Quantity- KE125		
				'87		
				A13		
11009	18067-008	GASKET, EXHAUST PIPE			1	
11034	18061-060	BRACKET, MUFFLER			1	
18001	18001-1550	MUFFLER			1	
18006	18006-1135	BODY-MUFFLER			1	
18069	18069-057	HOLDER-EXHAUST PIPE			1	
49099	49099-1028	BAFFLE-PIPE MUFFLER			1	
92022	92022-077	WASHER, 6, 1X12X1			1	
92022A	92022-1317	WASHER, 8, 5X20X1.6, BLACK			1	
92022B	92022-1345	WASHER, 8X26X2.3			3	
92027	18070-007	COLLAR, EXHAUST PIPE HOLDER			1	
92027A	92027-102	COLLAR, 8, 8X12X10, 7			3	
92037	92037-1515	CLAMP			1	
92037A	92037-1516	CLAMP			2	
92075	18063-005	DAMPER, MUFFLER			3	
92093	92093-1013	SEAL, MUFFLER			1	
92093A	92093-1020	SEAL, MUFFLER CONNECTING			1	
131	131X0608	BOLT-FLANGED			1	
183	183C0828	BOLT-UPSET-WS-SMALL			3	
185	185C0816	BOLT-UPSET-WSP-SMALL			1	
317	317C0800	NUT-HEX-SMALL, 8MM, BLACK			1	
461	461K0800	WASHER-SPRING, 8MM, BLACK			1	

This catalog covers:
'87 KE125-A13 Engine

GRID NO.

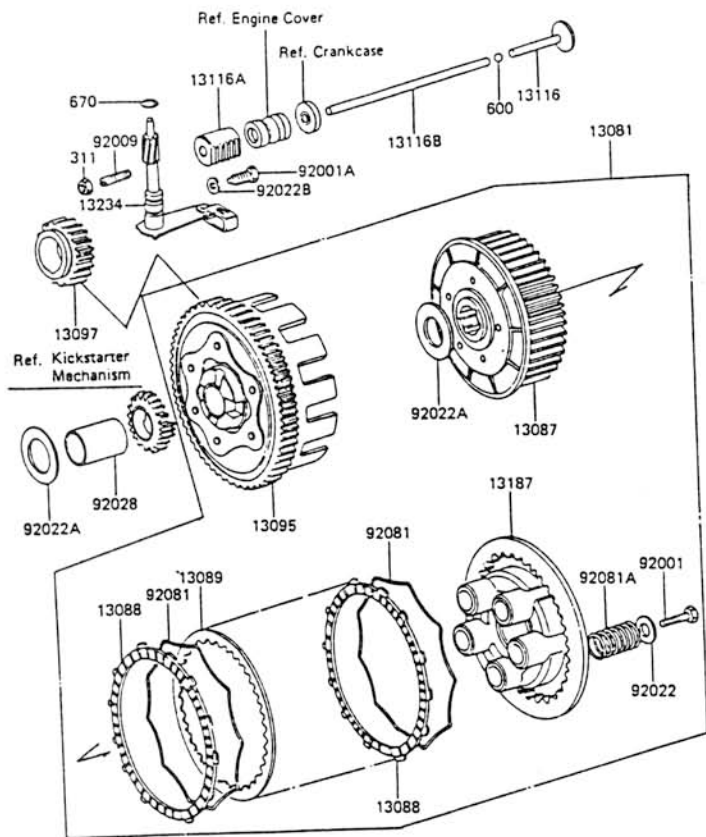
B-8

This grid covers:

Clutch

E1350-0018

FRONT



Ref. No.	Part No.	Description	Spec Code	Quantity- KE125		
				'87		
				A13		
13081	13081-1053	CLUTCH-ASSY		1		
13087	13087-038	HUB-CLUTCH		1		
13088	13088-025	PLATE-FRICTION		5		
13089	13089-003	PLATE-CLUTCH,STEEL		4		
13095	13095-1034	HOUSING-COMP-CLUTCH		1		
13097	13097-1040	GEAR-PRIMARY SPUR,22T		1		
13116	13116-016	ROD-PUSH,CLUTCH SPRING PLATE		1		
13116A	13116-026	ROD-PUSH,CLUTCH RELEASE		1		
13116B	13116-027	ROD-PUSH,CLUTCH		1		
13187	13187-004	PLATE-CLUTCH OPERATING		1		
13234	13234-003	SHAFT-COMP,CLUTCH RELEASE		1		
92001	92003-078	BOLT,FLANGED,5X18		5		
92001A	92003-130	BOLT,CLUTCH RELEASE		1		
92009	92014-015	SCREW,SET,6X26		1		
92022	92022-167	WASHER,5,5X15,5X1.6		5		
92022A	92022-270	WASHER,17,3X30X1,4		2		
92022B	92031-009	WASHER,LOCK		1		
92028	92028-138	BUSHING,17X22X33,5		1		
92081	13229-002	SPRING,CLUTCH STEEL		5		
92081A	92081-123	SPRING,CLUTCH		5		
311	31180600	NUT-HEX,6MM		1		
600	600A0700	BALL-STEEL,7/32"		1		
670	670B2010	O RING,10MM		1		

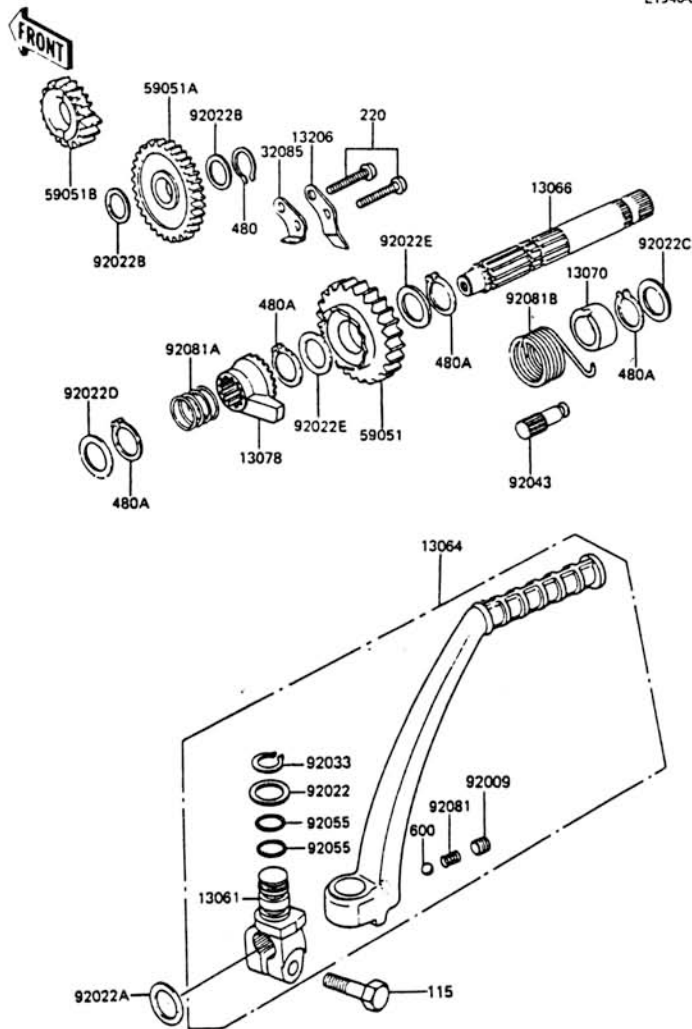
This catalog covers:
'87 KE125-A13 Engine

GRID NO.

B-7

This grid covers:
Kickstarter Mechanism

E1340-0043



Ref No	Part No.	Description	Spec Code	Quantity- KE125	
				'87	A13
13061	13061-1045	BOSS,KICK PEDAL		1	
13064	13064-1107	LEVER-ASSY-KICK,PEDAL		1	
13066	13066-1012	SHAFT-KICK		1	
13070	13070-008	GUIDE,KICK SPRING		1	
13078	13078-1052	RATCHET		1	
13206	13206-010	GUIDE-KICK		1	
32085	32085-1061	STOPPER,KICKSTARTER		1	
59051	13068-032	GEAR-SPUR,KICKSTARTER,28T		1	
59051A	13073-011	GEAR-SPUR,IDLE,27T		1	
59051B	13075-010	GEAR-SPUR,KICKSTARTER PINION		1	
92009	92009-1312	SCREW, SOCKET, 8X8		1	
92022	92022-1019	WASHER, 15, 2X20X1		1	
92022A	92022-1536	WASHER		1	
92022B	92022-267	WASHER, 14X24X0,5		2	
92022C	92022-268	WASHER, 16, 3X24X1		1	
92022D	92022-269	WASHER, 12, 3X20X0,5		1	
92022E	92022-315	WASHER, 16, 8X22X0,5		2	
92033	92033-1166	RING-SNAP, 10MM		1	
92043	92043-102	PIN		1	
92055	92055-061	RING-O, 10X1,5		2	
92081	92081-020	SPRING,KICK PEDAL		1	
92081A	92-81-122	SPRING,RATCHET		1	
92081B	9208-005	SPRING,KICK		1	
115	115J0825	BOLT-SMALL-UPSET		1	
220	220B0620	SCREW-PAN-CROS, 6X20, WHITE		2	
480	480J1300	CIRCLIP-TYPE-C, 13MM		1	
480A	480J1600	CIRCLIP-TYPE-C, 16MM		4	
600	600A0800	BALL-STEEL, 1/4"		1	