

 **Kawasaki**

KDX 125 SR

KDX
125 SR

Catálogo de Partes

PREFACIO

Es nuestro placer presentarles a ustedes el Catálogo de Partes.

Este Catálogo ha sido especialmente diseñado para ayudarle en la selección de las partes correctas con el fin de mantener el equipo en las mejores condiciones.

Los repuestos originales están sujetos a un exigente estándar de control de calidad, por lo tanto es necesario que usted sólo use repuestos originales.

En nuestro constante esfuerzo para mejorar la eficiencia y desempeño de su equipo, las especificaciones, diagramas y número de partes pueden cambiar sin previo aviso. Consecuentemente las descripciones de los repuestos en este Catálogo pueden no ser las finales y definitivas.

Las alteraciones y modificaciones que ocurren en la impresión de este Catálogo, serán informadas a nuestra red, a través de circulares de Servicio. Es requisito que usted actualice su Catálogo y haga las correcciones necesarias, una vez reciba dichas circulares. Lo anterior le asegurará un rápido y adecuado despacho de sus partes, pues las órdenes están siendo diligenciadas con las referencias más actualizadas.

En caso de necesitar asistencia técnica, comunicarse con el Distribuidor Autorizado o llamar al Departamento de Servicios Auteco-Kawasaki.

Todos los derechos reservados, No se permite la reproducción total o parcial de éste libro, en ninguna forma o por ningún medio, ya sea electrónico o mecánico, incluido fotocopiado, sin permiso escrito de Autotecnica Colombiana S.A. "AUTECO S.A."

**DIRECTORIO TELEFÓNICO - DIVISIÓN REPUESTOS**

NOMBRE	CARGO	CELULAR	PBX Y EXT.
ALVARO VÉLEZ V.	JEFE LÍNEAS ESPECIALES	03310-3739023	373 00 45 EXT. 110
JOSE IGNACIO ROJAS L.	JEFE LÍNEAS ORIGINALES	03313-7677836	373 00 45 EXT. 117
ALEXANDER GRAJALES	VENTAS	03310-3739019	373 00 45 EXT. 112
BERNARDO MURIEL G.	VENTAS	03310-4362742	373 00 45 EXT. 127
CARLOS H. TOBON R.	VENTAS	03310-4473611	373 00 45 EXT. 106
CARLOS MARIO SALAZAR	VENTAS	03310-4148845	373 00 45 EXT. 108
ELKIN GALLEGO R.	VENTAS	03310-4362598	373 00 45 EXT. 107
GONZALO A. SILDARRIAGA S.	VENTAS	03310-4068874	373 00 45 EXT. 102
HECTOR A. VALENCIA R.	VENTAS	03310-4473652	373 00 45 EXT. 104
HECTOR JAIRO LOPEZ C.	VENTAS	03312-2576791	373 00 45 EXT. 137
JOHN JAIRO LÓPEZ CH.	VENTAS	03310-4442215	373 00 45 EXT. 105
NESTOR R. ADARVE	VENTAS	03310-4362689	373 00 45 EXT. 128
UBERNEY ORTIZ V.	VENTAS	03312-2576175	373 00 45 EXT. 115
WILLIAM GUTIÉRREZ CH.	VENTAS	03310-4074072	373 00 45 EXT. 133
MAURICIO MEJÍA	VENTAS		373 00 45 EXT. 275
GABRIEL JAIME CARMONA	VENTAS ORIGINALES	03313-7677843	373 00 45 EXT. 126
JORGE GIL	VENTAS ORIGINALES		373 00 45 EXT. 138
JORGE MARIO MAYA V.	VENTAS ORIGINALES	03312-2589384	373 00 45 EXT. 140

DIAGONAL 38 A N° 34-56 B. SAN JOSE ITAGÜÍ		FAX BODEGA: 373 83 94	FAX OFICINAS: 373 03 75
SERVICIO AL CLIENTE		ANDRES CARDONA	373 41 41 EXT. 125
FACTURACIÓN		RICARDO CUARTAS	373 41 41 EXT. 121
DEVOLUCIONES RECLAMOS Y MOTOS VARADAS		ALEJANDRO POSADA Y LUIS RODRIGUEZ	373 41 41 EXT. 135
VENTAS AL PÚBLICO		JULIAN BEDOYA	373 49 33

LÍNEA GRATUITA SERVICIO AL CLIENTE - ACLARA -**01 8000 52 00 90**

This catalog covers:
'92 KDX125-A3

GRID NO.

A-2

This grid covers:
Publications

Year & Model	Owner's Manual	A&P Manual		Service Manual	Microfiche
		General	Supplement		
1992 KDX125-A3	99922-1639-01	99931-1064-02	99939-1188-01	99924-1130-01	99917-1526-01

This catalog covers:
'92 KDX125-A3

GRID NO.

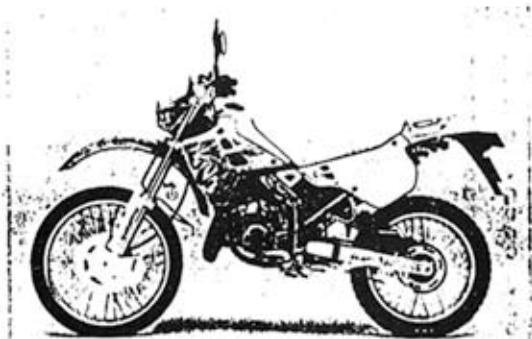
A-4

This grid covers:

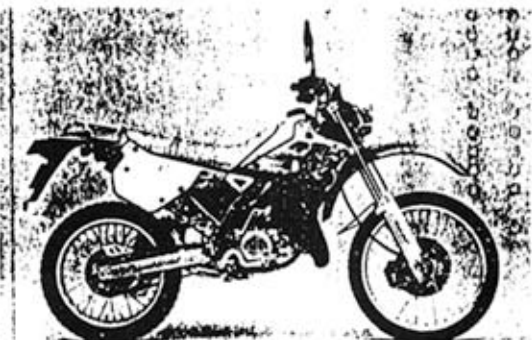
Model I.D. '92 KDX125-A3 (KDX125SR)

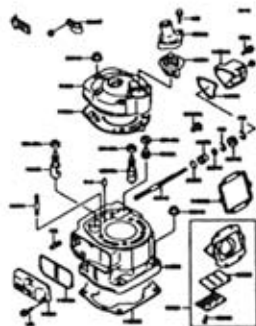
KDX125-A3

Left Side View

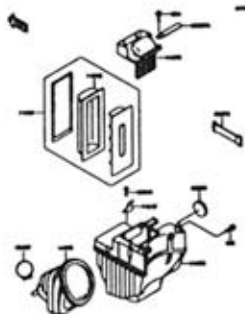


Right Side View

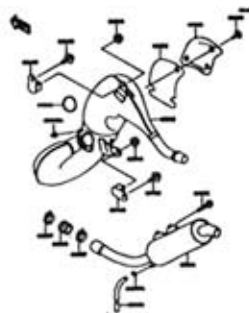




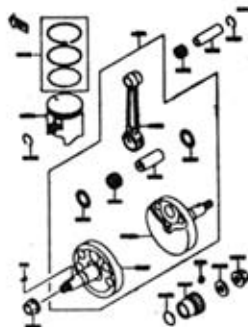
B-3 Cylinder Head/Cylinder



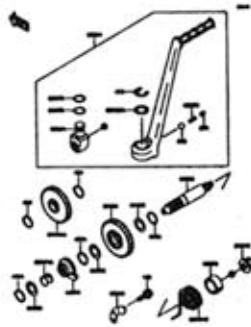
B-4 Air Filter



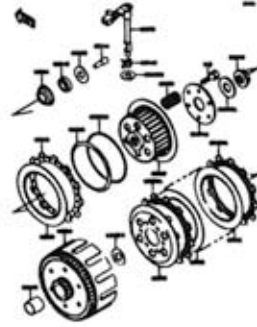
B-5 Muffler



B-6 Crankshaft/Piston



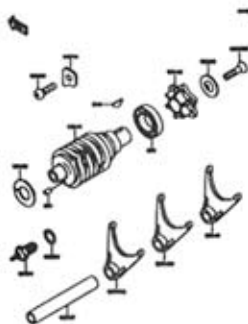
B-7 Kickstarter Mechanism



B-8 Clutch



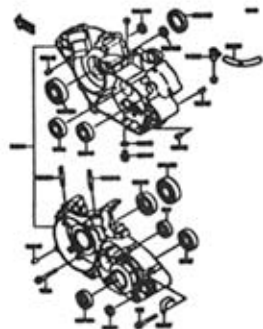
B-9 Transmission



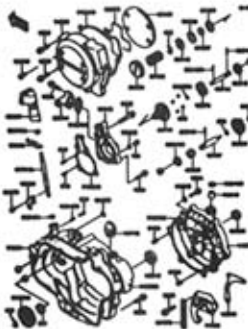
B-10 Change Drum/Shift Fork



B-11 Gear Change Mechanism



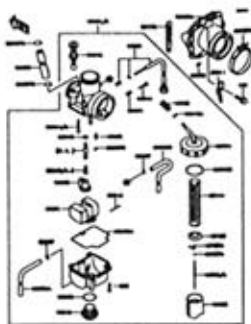
B-12 Crankcase



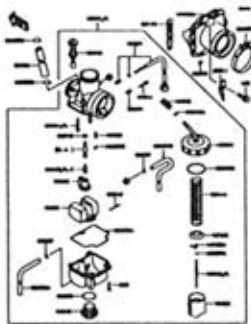
B-13 Engine Cover(1/2)



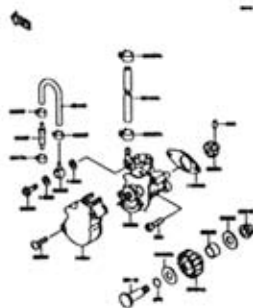
B-14 Engine Cover(2/2)



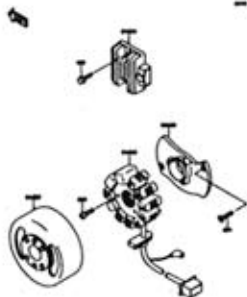
C-3 Carburetor(1/2)



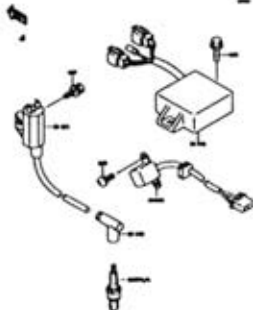
C-4 Carburetor(2/2)



C-5 Oil Pump



C-6 Generator



C-7 Ignition Coil




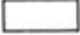

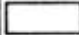


C-8 Radiator

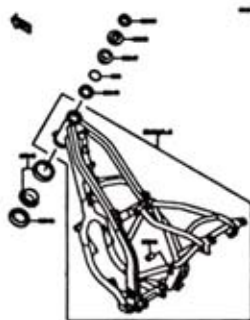
This catalog covers:
'92 KDX125-A3 Engine

GRID NO.

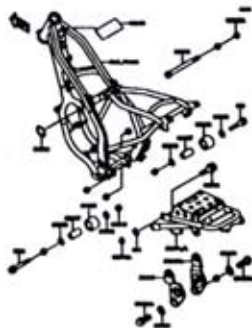
C-2

This grid covers:
Pictorial Index

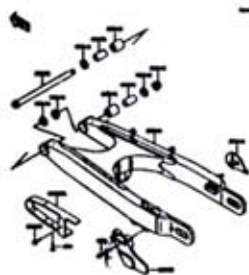
		
		



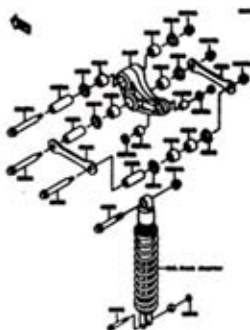
D-3 Frame



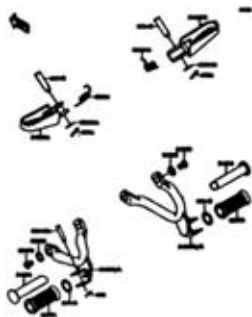
D-4 Frame Fitting



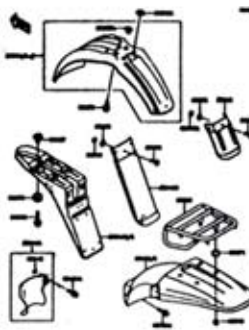
D-5 Swing Arm



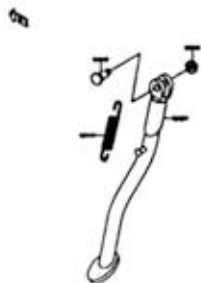
D-6 Suspension



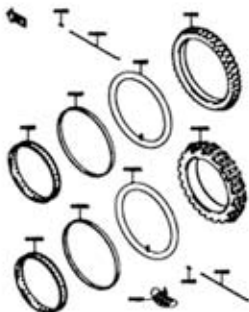
D-7 Step



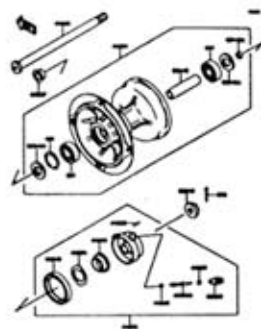
D-8 Fender



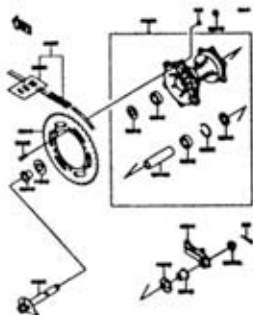
D-9 Stand



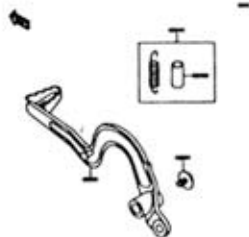
D-10 Tire



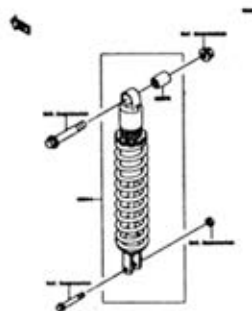
D-11 Front Hub



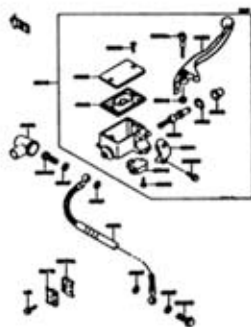
D-12 Rear Hub



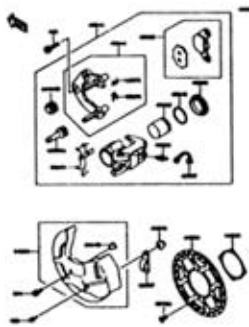
D-13 Brake Pedal



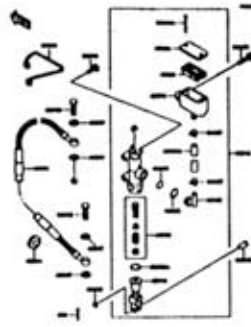
D-14 Shock Absorber



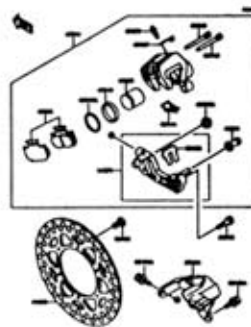
E-3 Front Master Cylinder



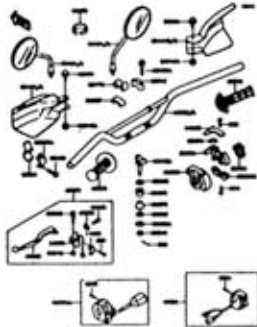
E-4 Front Caliper



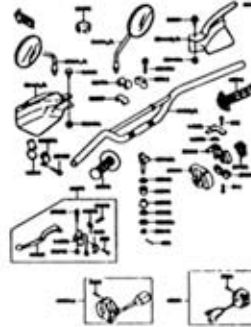
E-5 Rear Master Cylinder



E-6 Rear Caliper



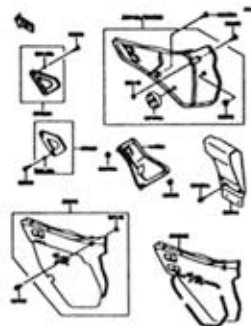
E-7 Handlebar(1/2)



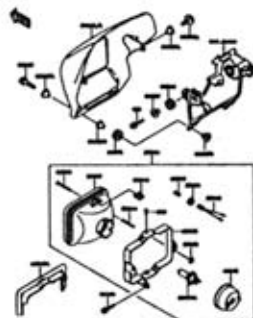
E-8 Handlebar(2/2)



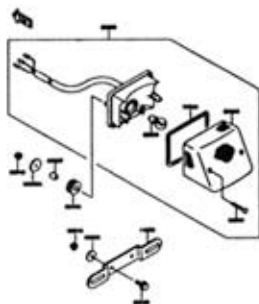
F-3 Cable



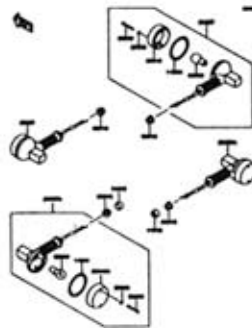
F-4 Side Cover/Chain Case



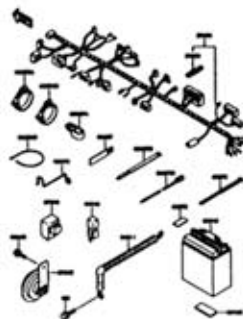
F-5 Head Lamp



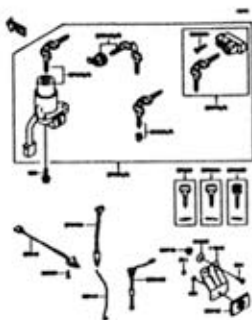
F-6 Tail Lamp



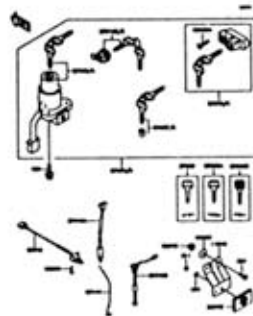
F-7 Turn Signal



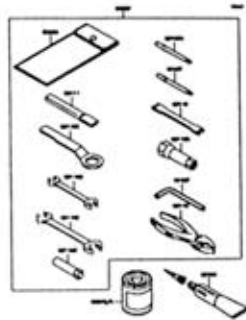
F-8 Electrical Equipment



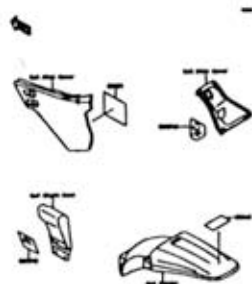
F-9 Ignition Switch(1/2)



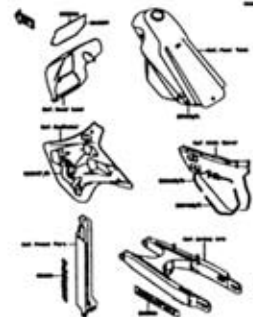
F-10 Ignition Switch(2/2)



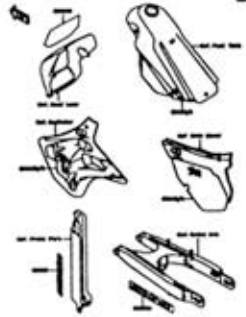
F-11 Tool



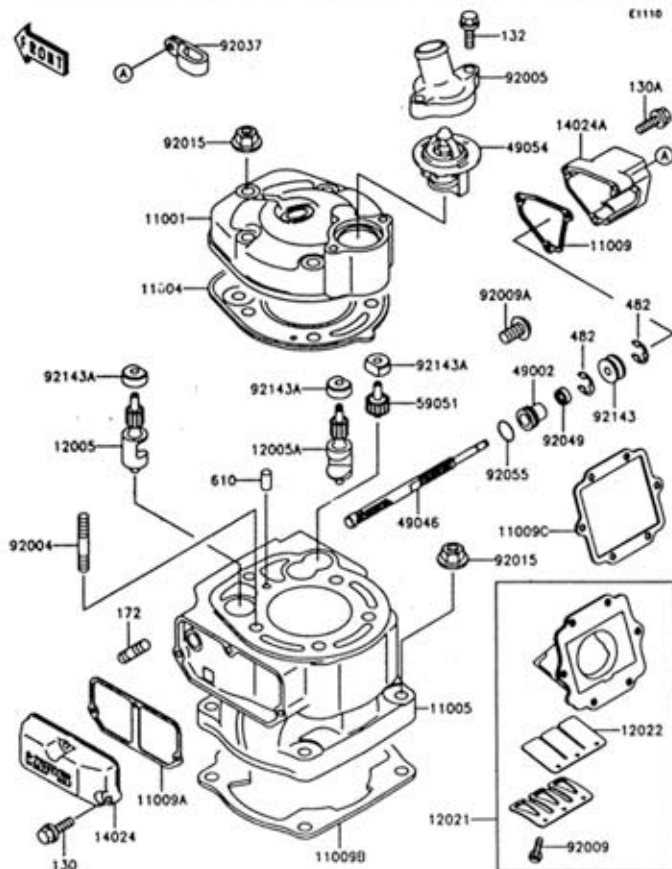
F-12 Label



F-13 Decal(Blue)

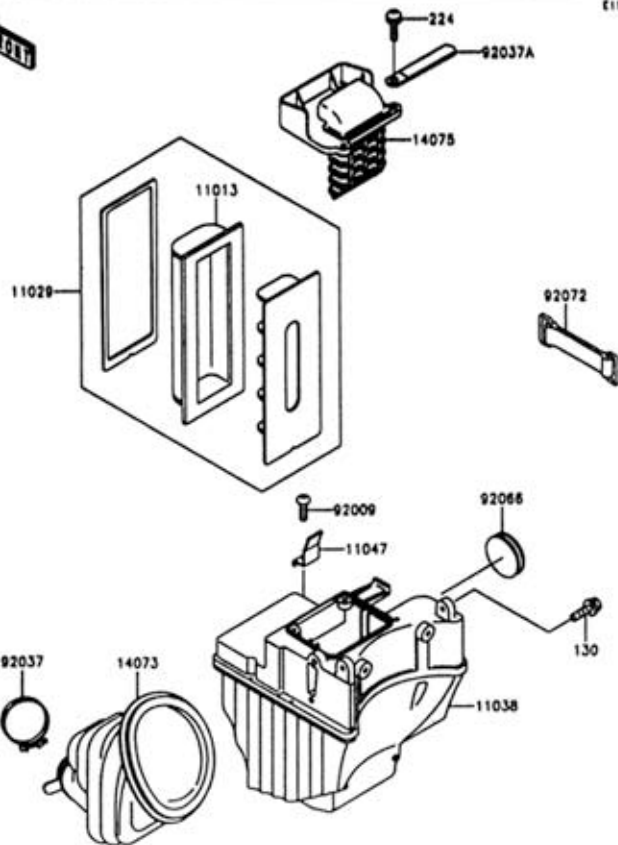


F-14 Decal(Green)



Ref. No.	Part No.	Description	Spec Code	Quantity-KDX125		
				'92	A3	
11001	11001-1347	HEAD-CYLINDER		1		
11004	11004-1205	GASKET-HEAD		1		
11005	11005-1614	CYLINDER-ENGINE		1		
11009	11009-1934	GASKET,RH,GOVERNOR		1		
11009A	11009-1938	GASKET,LH,RESONATOR		1		
11009B	11009-1940	GASKET,CYLINDER BASE		1		
11009C	11009-1941	GASKET,REED VALVE		1		
12005	12005-1180	VALVE-EXHAUST,LH		1		
12005A	12005-1181	VALVE-EXHAUST,RH		1		
12021	12021-1083	VALVE-ASSY-REED		1		
12022	12022-1063	VALVE-REED		2		
14024	14024-1565	COVER,RESONATOR		1		
14024A	14024-1786	COVER,GOVERNOR		1		
49002	49002-1083	GUIDE-VALVE		1		
49046	49046-1068	ROD-GOVERNOR		1		
49054	49054-1063	THERMOSTAT		1		
59051	59051-1190	GEAR-SPUR,IDLE		1		
92034	92004-1009	STUD,BX35		5		
92005	92005-1205	FITTING,THERMOSTAT		1		
92009	92009-1014	SCREW,REED VALVE		6		
92009A	92009-1502	SCREW,5X10		1		
92015	92015-1143	NUT,8MM		9		
92037	92037-1608	CLAMP		1		
92049	92049-1206	SEAL-OIL,R50-5.5X11X4		1		
92055	92055-1399	RING-O,14.5X1.5		1		
92143	92143-1056	COLLAR		1		
92143A	92143-1147	COLLAR,VALVE		3		
130	130G0520	BOLT-FLANGED		3		
130A	130G0525	BOLT-FLANGED		3		
132	132G0625	BOLT-FLANGED-SMALL		2		
172	172G0822	BOLT-STUD,BX22		2		
482	482J4000	CIRCLIP-TY: C-E,4MM		2		
610	610A0408	ROLLER,4X8		1		

E1130



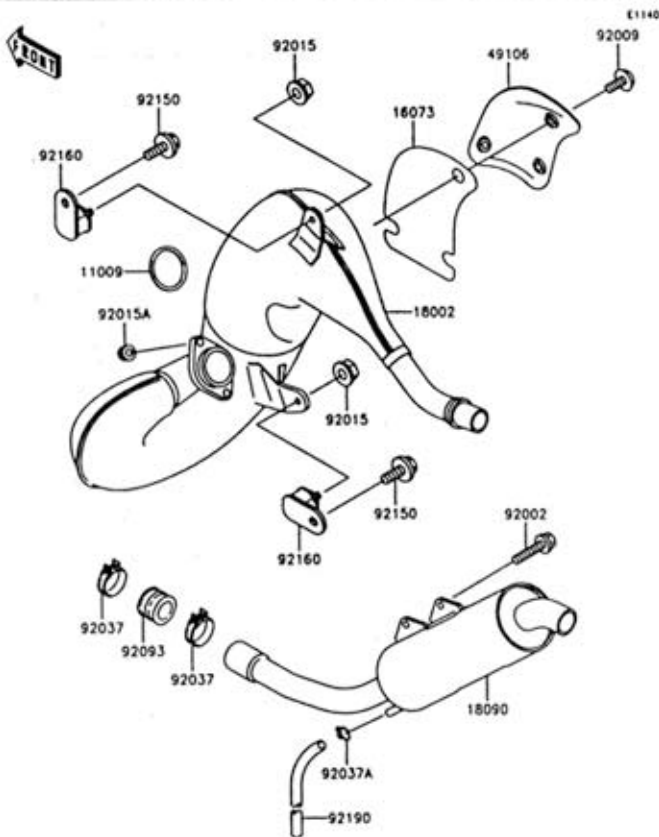
Ref. No.	Part No.	Description	Spec Code	Quantity-KDX125	
				'92	A3
11013	11013-1186	ELEMENT-AIR FILTER		1	
11029	11029-1003	ELEMENT-ASSY-AIR FILTER		1	
11038	11038-1081	CASE-ASSY-AIR FILTER		1	
11047	11047-1046	BRACKET		1	
14073	14073-1418	DUCT,AIR FILTER		1	
14075	14075-1084	CAP-ASSY,AIR DUCT		1	
92009	92009-1332	SCREW,TAPPING,5X10		1	
92037	92037-1486	CLAMP,55MM		1	
92037A	92037-1993	CLAMP		1	
92066	92066-1344	PLUG		1	
92072	92072-071	BAND,L = 100		1	
130	130G0612	BOLT-FLANGED,6X12		3	
224	224B0618	SCREW-PAN-WP-CROS		4	

This catalog covers:
 '92 KDX125-A3 Engine

GRID NO.

B-5

This grid covers:
Muffler



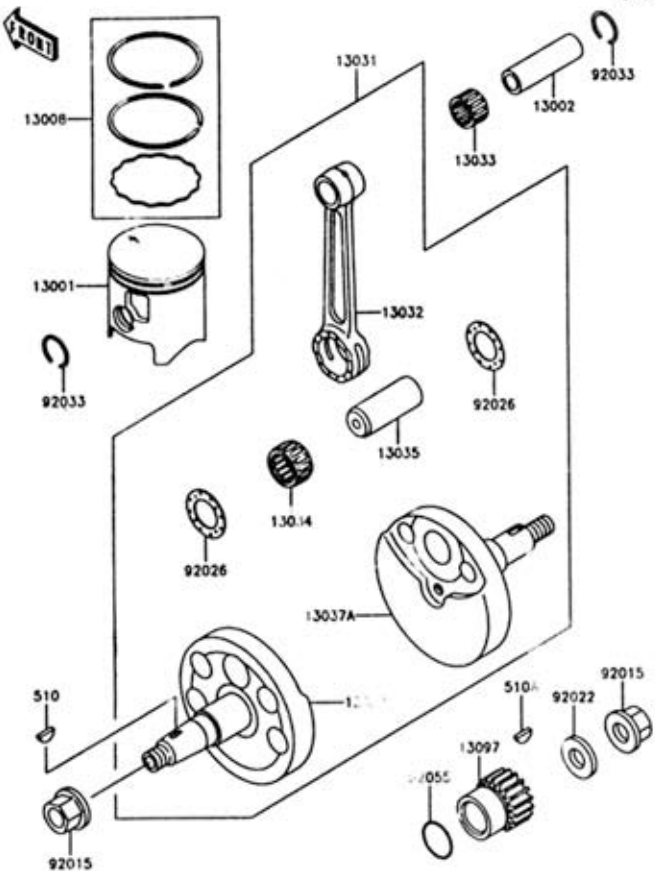
Ref. No.	Part No.	Description	Spec Code	Quantity-KDX125			
				'92 A3			
11009	11009-1992	GASKET,EXHAUST PIPE		1			
16073	16073-1085	INSULATOR		1			
18002	18002-1938	BODY-COMP-MUFFLER		1			
18090	18090-1149	MUFFLER-ASSY		1			
49106	49106-1121	COVER-MUFFLER		1			
92002	92002-1417	BOLT,FLANGED,8X20			2		
92009	92009-1618	SCREW,6X6			3		
92015	92015-1078	NUT,FLANGED,6MM			2		
92015A	92015-1183	NUT,FLANGED,8MM,BLACK			2		
92037	92037-1129	CLAMP,40MM			2		
92037A	92037-1712	CLAMP			1		
92093	92093-1012	SEAL,EXHAUST PIPE			1		
92150	92150-1435	BOLT,6X12			2		
92160	92160-1176	DAMPER,MUFFLER,FR			2		
92190	92190-1305	TUBE,5X9X450			1		

This catalog covers:
 '92 KDX125-A3 Engine

GRID NO.

B-6

This grid covers:
 Crankshaft/Piston



E1328

Ref. No.	Part No.	Description	Spec Code	Quantity-KDX125	
				'92	A3
13001	13001-1346	PISTON-ENGINE		1	
13002	13002-1066	PIN-PISTON		1	
13008	13008-1126	RING-SET-PISTON		1	
13031	13031-1304	CRANKSHAFT-COMP		1	
13032	13032-1146	ROD-CONNECTING		1	
13033	13033-1056	BEARING-SMALL END		1	
13034	13034-1070-B4	BEARING-BIG END		1	
13035	13035-1010-01	PIN-CRANK		1	
13037	13037-1385	CRANKSHAFT,LH		1	
13037A	13037-1399	CRANKSHAFT,RH		1	
13097	13097-1256	GEAR-PRIMARY SPUR,22T		1	
92015	92015-1156	NUT,FLANGED,12MM		2	
92022	92022-1831	WASHER		1	
92026	92026-1136	SPACER,22.2X37X1.0		2	
92033	92033-1242	RING-SNAP,PISTON PIN		2	
92055	92055-086	RING-O		1	
510	510A3200	KEY-WOODRUFF		1	
510A	510A5100	KEY-WOODRUFF		1	

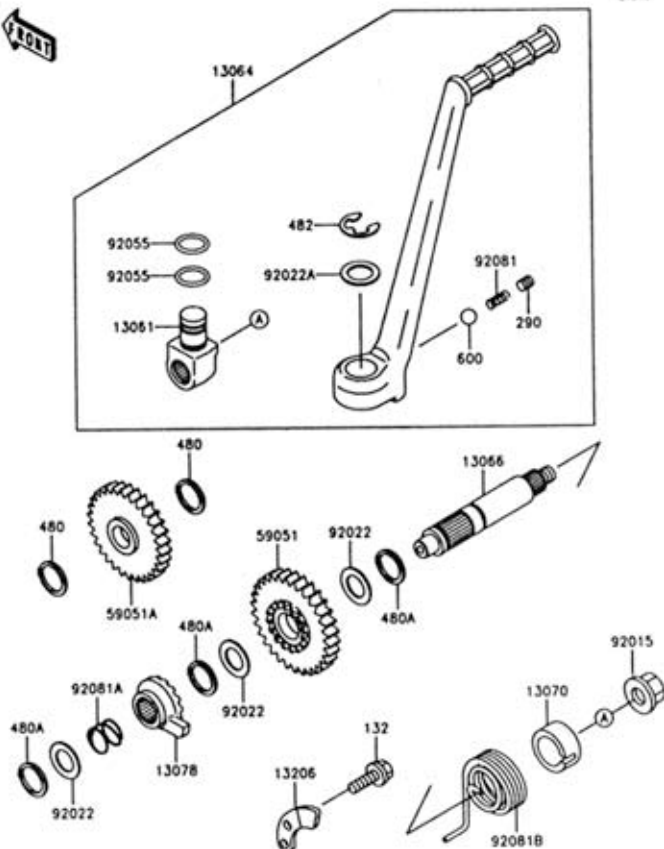
This catalog covers:
 '92 KDX125-A3 Engine

GRID NO.

B-7

This grid covers:
Kickstarter Mechanism

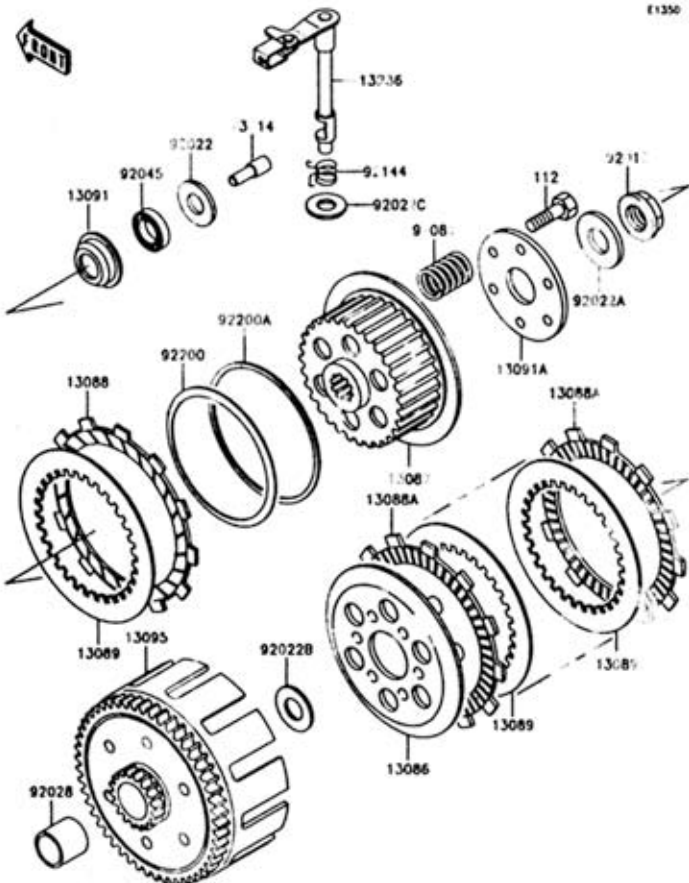
FRONT



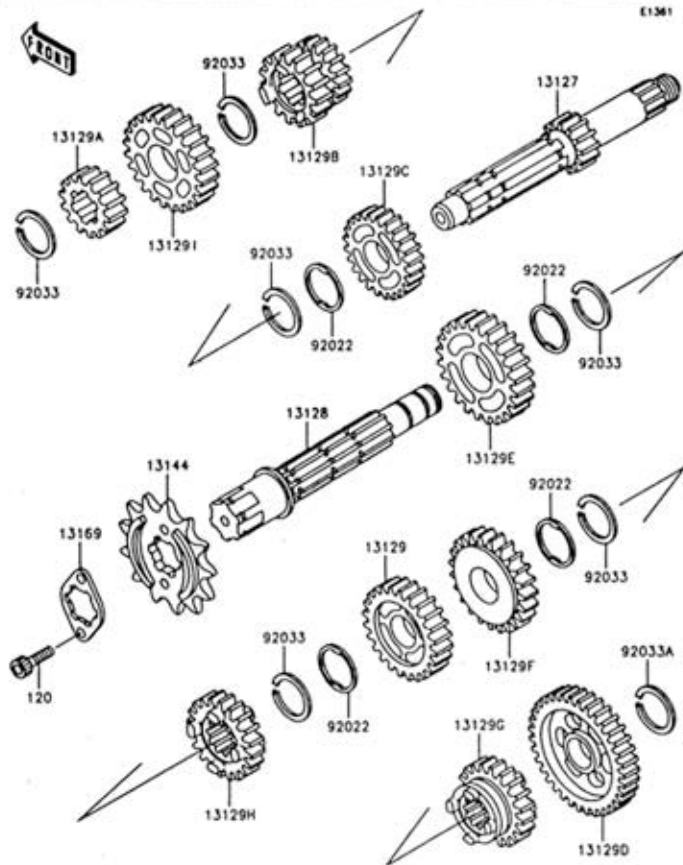
E1340

Ref. No.	Part No.	Description	Spec Code	Quantity-KDX125		
				'92	A3	
13061	13061-1331	BOSS,KICK PEDAL	1			
13064	13064-1151	LEVER-ASSY-KICK,PEDAL	1			
13066	13066-1074	SHAFT-KICK	1			
13070	13070-1007	GUIDE,KICK SPRING	1			
13078	13078-1052	RATCHET	1			
13206	13206-1061	GUIDE-KICK	1			
59051	59051-1228	GEAR-SPUR,KICKSTARTER,36T	1			
59051A	59051-1229	GEAR-SPUR,IDLE,34T	1			
92015	92015-1502	NUT,FLANGED,10MM	1			
92022	92022-315	WASHER,16 8X22X0.5	3			
92022A	92022-318	WASHER,15,2X20X1	1			
92055	92055-061	RING-O,10X1.5	2			
92081	92081-020	SPRING,KICK PEDAL	1			
92081A	92081-122	SPRING,RATCHET	1			
92081B	92081-1768	SPRING,KICKSTARTER	1			
132	132G0616	BOLT-FLANGED-SMALL	1			
290	290O0808	SCREW-SET-SOCKET,8XB	1			
480	480J1500	CIRCLIP-TYPE-C,15MM	2			
480A	480J1600	CIRCLIP-TYPE-C,16MM	3			
482	482L0100	CIRCLIP-TYPE-E,10MM	1			
600	600A0800	BALL-STEEL,1/4"	1			

(1350)



Ref. No.	Part No.	Description	Spec Code	Quantity-KDX125		
				'92	A3	
13086	13086-1056	WHEEL-CLUTCH		1		
13087	13087-1128	HUB-CLUTCH		1		
13088	13088-1058	PLATE-FRICTION		1		
13088A	13088-1081	PLATE-FRICTION, ID # 95		6		
13089	13089-1070	PLATE-CLUTCH		6		
13091	13091-1134	HOLDER, CLUTCH PUSHER		1		
13091A	13091-1683	HOLDER, CLUTCH SPRING		1		
13091	13095-1215	HOUSING-COMP-CLUTCH		1		
13114	13114-1064	PUSHER-CLUTCH		1		
13236	13236-1195	LEVER-COMP		1		
92015	92015-072	NUT, LOCK, 16MM		1		
92022	92022-1290	WASHER, 7X12.5X0.8		1		
92022A	92022-1356	WASHER, 16.3X.9X1.75		1		
92022B	92022-223	WASHER, 20.5X.30X1.4		1		
92022C	92022-269	WASHER, 12.3X.70X0.5		1		
92078	92078-1388	BUSHING, 20X.70X2.85		1		
92045	92045-1239	BEARING-BALL		1		
92081	92081-1637	SPRING, CLUTCH		6		
92144	92144-1287	SPRING, CLUTCH RELEASE		1		
92200	92200-1079	WASHER, JITTER SPRING		1		
92200A	92200-1080	WASHER, JITTER PLATE		1		
112	112G0520	BOLT-UPSET		6		

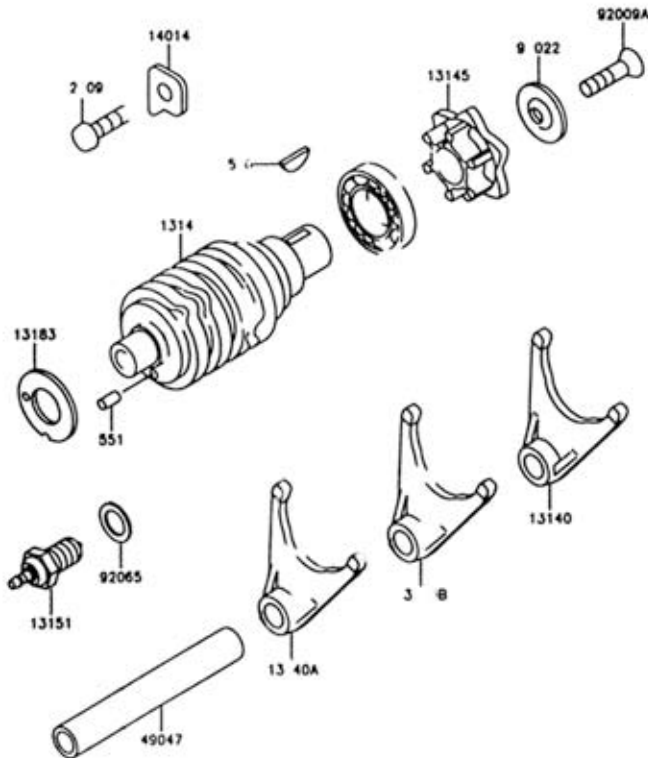


E13M1

Ref. No.	Part No.	Description	Spec Code	Quantity-KDX125	
				'92	A3
13127	13127-1197	SHAFT-TRANSMISSION INPUT,10T		1	
13128	13128-1134	SHAFT-TRANSMISSION OUTPUT		1	
13129	13129-1559	GEAR_OUTPUT 4TH,24T		1	
13129A	13129-1788	GEAR_INPUT 2ND,14T		1	
13129B	13129-1789	GEAR_INPUT 3RD&4TH,17T&22T		1	
13129C	13129-1790	GEAR_INPUT 5TH,24T		1	
13129D	13129-1791	GEAR_OUTPUT LOW,31T		1	
13129E	13129-1792	GEAR_OUTPUT 2ND,27T		1	
13129F	13129-1793	GEAR_OUTPUT 3RD,24T		1	
13129G	13129-1795	GEAR_OUTPUT 5TH,22T		1	
13129H	13129-1796	GEAR_OUTPUT TOP,21T		1	
13129I	13129-1925	GEAR_INPUT TOP,26T		1	
13144	13144-1177	SPROCKET-OUTPUT,15T		1	
13169	13169-1541	PLATE,SPROCKET		1	
92022	92022-1033	WASHER TOOTHED,20.3X24X0.5		4	
92033	92033-1214	RING-SNAP,18.7MM		6	
92033A	92033-1215	RING-SNAP,14MM		1	
120	12000608	BOLT-SOCKET		2	

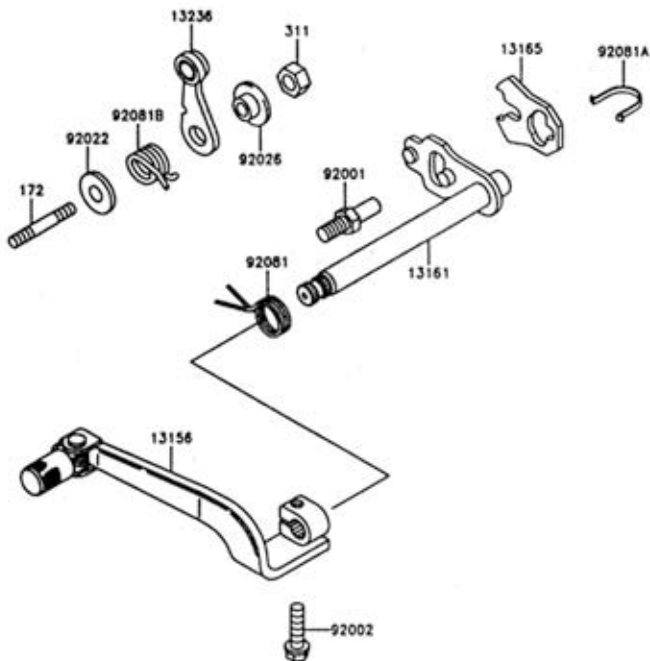


CR/DN

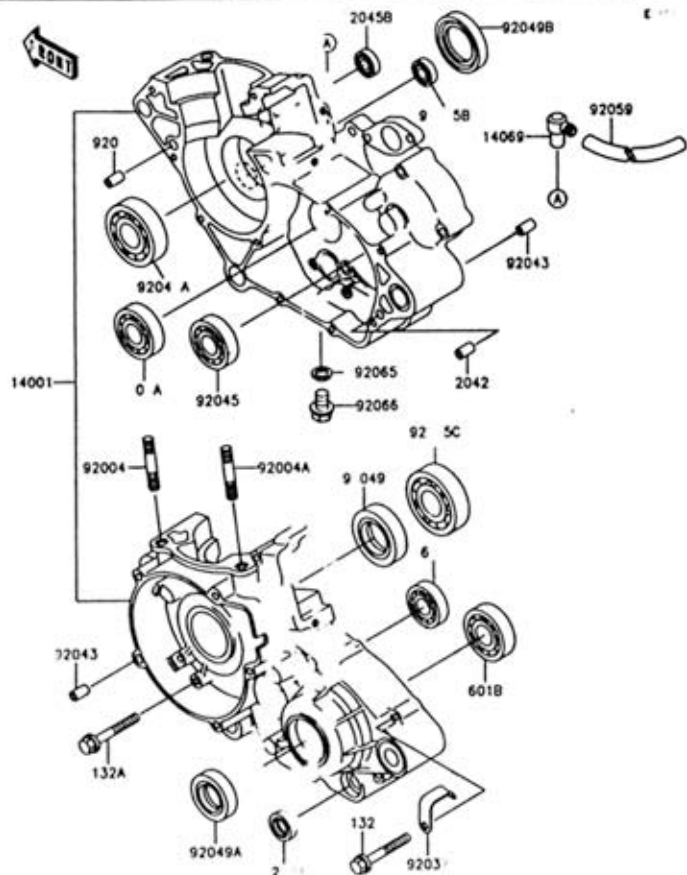


Ref. N.	Part No.	Description	Spec Code	Quantity-KDX125			
				'92	A3		
131 0	13140-1150	FORK-SHIFT,LOW-3RD		1			
13140A	13140-1151	FORK-SHIFT,2ND-4TH		1			
1314 B	13140-1152	FORK-SHIFT,5TH-TOP		1			
13141	13141-1161	CRU-CHANGE		1			
13145	13145-059	AM-ANGED UM		1			
13151	13151-1007	SWITCH COMP.N. CENTRAL		1			
1318	13183-1066	PLATE CHANGE		1			
14014	14014-106	PLATE POSITION DUM		1			
49047	49047-1078	ROD-SHIFT		1			
92009	9200-1277	SCREW		1			
92009A	92009-60	SCREW 6X		1			
92022	92-22-92	WASHER		1			
92065	9-065-C56	GAS SET, 1.5X16X1.1 MAN PLUG		1			
510	5-0A32	KEY WOOD RUFF		1			
551	51A0308	PIN-DOWEL 3X8		1			
601	6-A6003	BEARING-BALL #6003		1			

E1370



Ref. No.	Part No.	Description	Spec Code	Quantity-KDX125		
				'92	A3	
13156	13156-1269	LEVER-CHANGE PEDAL			1	
13161	13161-1132	LEVER-COMP-CHANGE SHAFT			1	
13165	13165-1034	PAWL-CHANGE LEVER			1	
13236	13236-1146	LEVER-COMP-POSITION			1	
92001	92001-1455	BOLT-RETURN SPRING			1	
92002	92002-1339	BOLT-6X25			1	
92022	92022-1827	WASHER-6X12 8X1.2			1	
92026	92026-1217	SPACER			1	
92081	92081-1750	SPRING-CHANGE PEDAL RETURN			1	
92081A	92081-1829	SPRING-CHANGE LEVER			1	
92081B	92081-1993	SPRING-POSITION LEVER			1	
172	172G0612	BOLT-STUD-6X12			1	
311	311G0600	NUT-HEX-6MM			1	



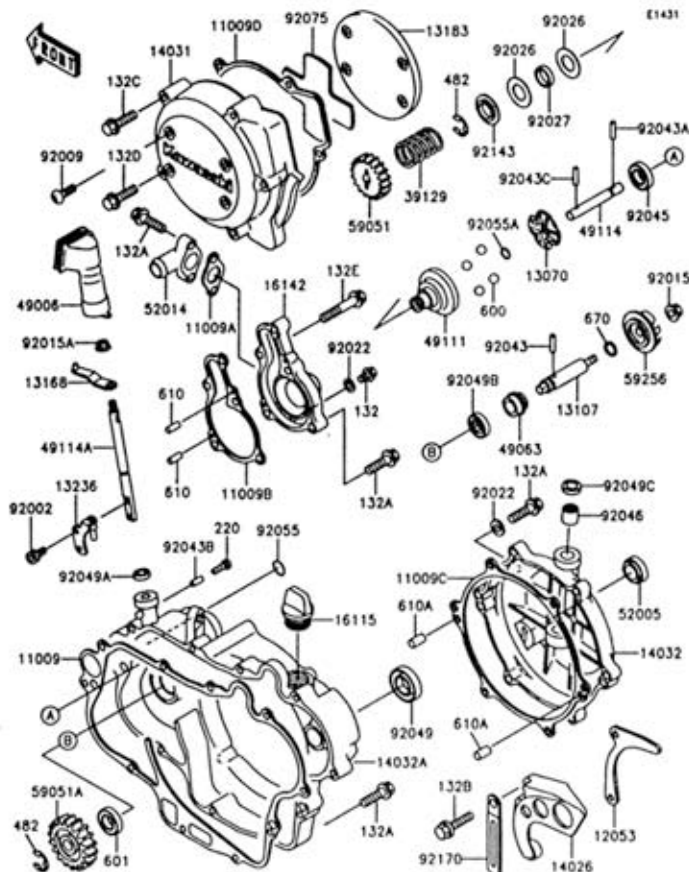
Ref. No.	Part No.	Description	Spec Code	Quantity-KDX125		
				92	A3	
14001	14001- 212	SET-CRANKCASE		1		
14069	14069-003	BREATHER		1		
92004	92004- 008	STUD,8X25		2		
92004A	92004- 112	STUD ,X28.5		2		
92037	92037- 3 8	CLAMP,HARNISS		1		
92042	92042-007	PIN,DOWEL,6.3X8X14		2		
92043	92043-1263	PIN,6 2X8X14		4		
92045	92045- 69	BEARING-BALL,#6202X19		1		
92045A	92045-1209	BEAR NG-BALL		1		
92045B	92045- 212	BEAR NG-BALL		2		
92045C	92045- 277	BEAR NG-BALL,#6205JR2C4		1		
92049	92049-1 87	SEAL-OIL,TC25406		1		
92049A	92049- 257	SEAL OIL,TC20376.5		1		
92049B	92049- 301	SEAL OIL		1		
92051	92051-005	SEAL-OIL,TB13225.5		1		
92059	9 059- 868	TUBE 6X9X380		1		
92065	9 065-058	GAS ,ET,10.5X16X1,DRAIN PLUG		1		
92066	9 066- 241	PLUG,DRAIN		1		
132	1 2G065	BOLT-FLANGED-SMALL		8		
132A	1 2G066	BOLT-FLANGED-SMALL		4		
601	60 B6202	BEARING-BALL,#6202C3		1		
601A	601B6204	BEARING-BALL,#6204C3		1		
601B	601B6304	BEARING-BALL,#6304C3		1		

This catalog covers:
 '92 KDX125-A3 Engine

GRID NO.

B-13

This grid covers:
 Engine Cover(1/2)



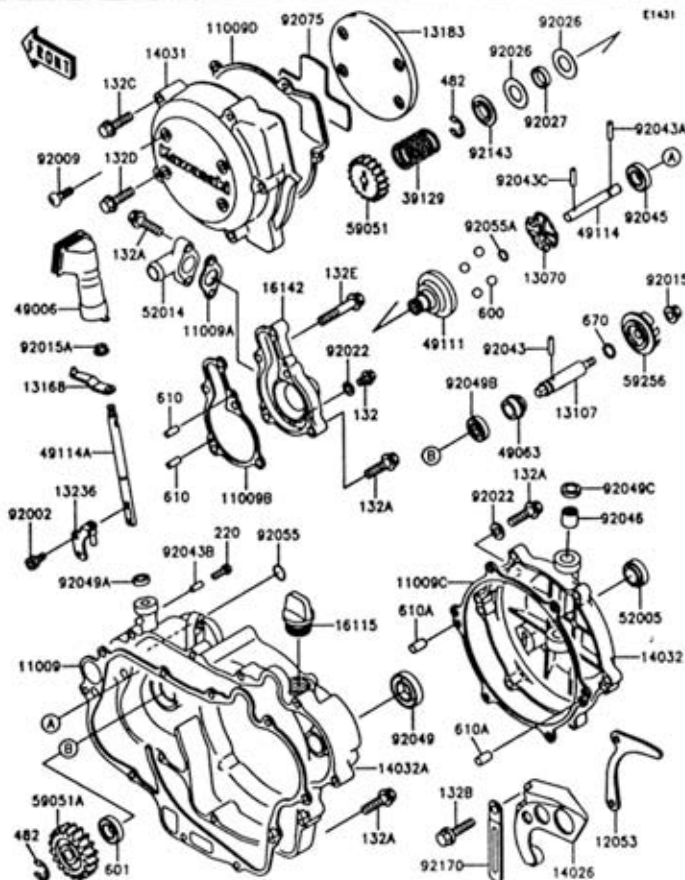
Ref. No.	Part No.	Description	Spec Code	Quantity-KDX125			
				'92	A3		
11009	11009-1841	GASKET,CLUTCH COVER		1			
11009A	11009-1935	GASKET,ELBOW		1			
11009B	11009-1936	GASKET,PUMP COVER		1			
11009C	11009-1939	GASKET,RELEASE COVER		1			
11009D	11009-1942	GASKET,GENERATOR COVER		1			
12053	12053-1276	GUIDE-CHAIN		1			
13070	13070-1206	GUIDE		1			
13107	13107-1270	SHAFT,WATER PUMP		1			
13168	13168-1371	LEVER,GOVERNOR		1			
13183	13183-1059	PLATE,GENERATOR COVER		1			
13236	13236-1190	LEVER-COMP,GOVERNOR SHAFT		1			
14026	14026-1159	COVER-CHAIN		1			
14031	14031-1246	COVER-GENERATOR		1			
14032	14032-1273	COVER-CLUTCH		1			
14032A	14032-1285	COVER-CLUTCH		1			
16115	16115-018	CAP-OIL FILLER		1			
16142	16142-1106	COVER,PUMP		1			
39129	39129-1003	SPRING-GOVERNOR		1			
49006	49006-1228	BOOT,GOVERNOR		1			
49063	49063-1002	SEAL-MECHANICAL,WATER PUMP		1			
49111	49111-1054	HOLDER-GOVERNOR WEIGHT		1			
49114	49114-1058	SHAFT-GOVERNOR		1			
49114A	49114-1070	SHAFT-GOVERNOR		1			
52005	52005-1055	GAUGE,OIL LEVEL		1			
52014	52014-1072	ELBOW		1			
59051	59051-1225	GEAR-SPUR,GOVERNOR,21T		1			
59051A	59051-1234	GEAR-SPUR,PUMP,25T		1			
59256	59256-1063	IMPELLER		1			
92002	92002-1403	BOLT,SOCKET,4X8		2			
92009	92009-1154	SCREW,5X12		4			
92015	92015-1078	NUT,FLANGED,6MM		1			
92015A	92015-1572	NUT,6MM		1			
92022	92022-304	WASHER,6.2X11X1		2			
92026	92026-1238	SPACER,15X28X1		2			
92027	92027-1839	COLLAR,15.2X17X4		1			
92043	92043-1129	PIN,3 5X23 8		1			
92043A	92043-1256	PIN,3X12.8		1			
92043B	92043-1293	PIN,2X9 8		1			
92043C	92043-1319	PIN,3X19.8		1			
92045	92045-1212	BEARING-BALL		1			

This catalog covers:
 '92 KDX125-A3 Engine

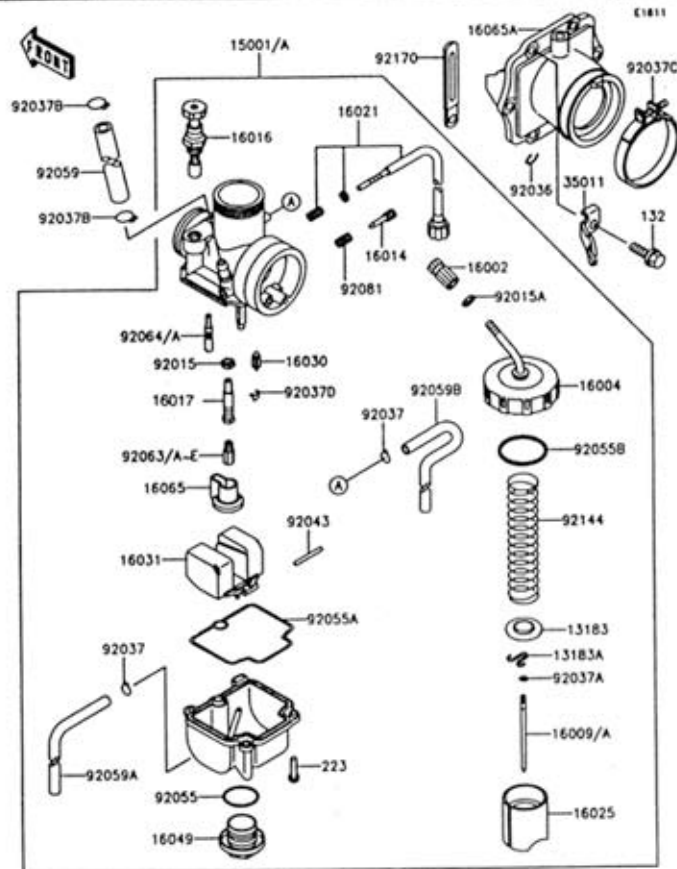
GRID NO.

B-14

This grid covers:
 Engine Cover(2/2)



Ref. No.	Part No.	Description	Spec Code	Quantity-KDX125	
				'92	A3
92046	92046-1176	BEARING-NEEDLE		1	
92049	92049-002	SEAL-OIL,SB16244		1	
92049A	92049-1207	SEAL-OIL,SD08144		1	
92049B	92049-1259	SEAL-OIL,SC12 28.555		1	
92049C	92049-1262	SEAL-OIL		1	
92055	92055-1258	RING-O,16.8X2.4		1	
92055A	92055-1343	RING-O,5.5X1.5		1	
92075	92075-1895	DAMPER,GENERATOR COVER		1	
92143	92143-1310	COLLAR		1	
92170	92170-1113	CLAMP,CARBURETOR HOSE		1	
132	132G0608	BOLT-FLANGED-SMALL		1	
132A	132G0625	BOLT-FLANGED-SMALL		21	
132B	132G0630	BOLT-FLANGED-SMALL		2	
132C	132G0640	BOLT-FLANGED-SMALL		3	
132D	132G0645	BOLT-FLANGED-SMALL		2	
132E	132G0665	BOLT-FLANGED-SMALL		1	
220	220B0306	SCREW-PAN-CROS		1	
462	462J0100	CIRCLIP-TYPE-E,10MM		2	
600	600A1200	BALL-STEEL,3/8"		4	
601	601B6201U	BEARING-BALL,#6201LUC3/2A		1	
610	610A0408	ROLLER,4X8		2	
610A	610A0612	ROLLER,6X12		2	
670	670B1506	O RING,6MM		1	



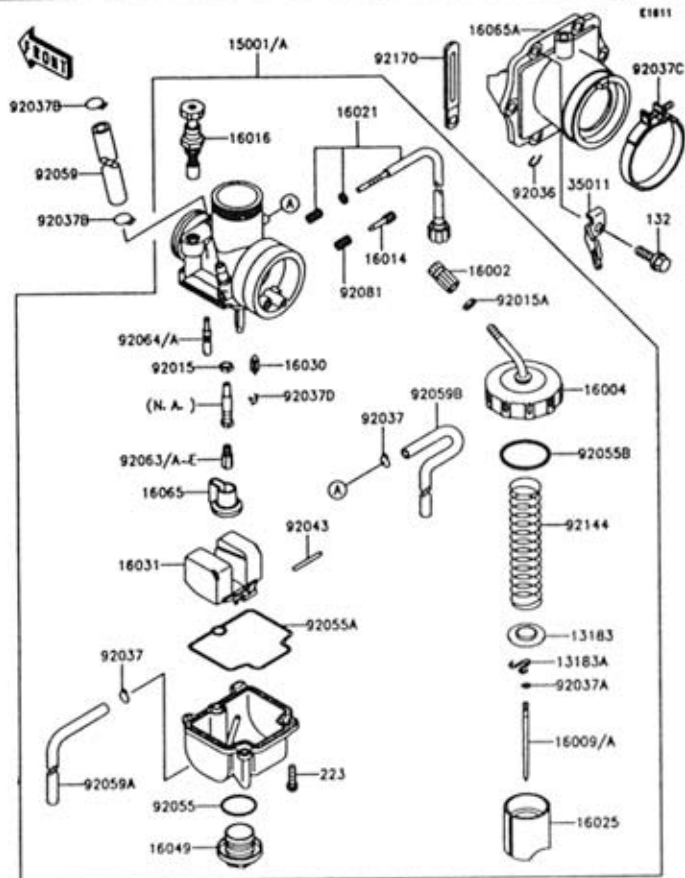
Ref. No.	Part No.	Description	Spec Code	Quantity - KDX125	
				'92	A3
13183	13183-1162	PLATE			1
13183A	13183-1250	PLATE, THROTTLE			1
15001	15001-1569	CARBURETOR-ASSY			
	L			EU	1
15001A	15001-1673	CARBURETOR-ASSY			
	L			NR	1
16002	16002-1057	ADJUSTER-CABLE			1
16004	16004-1068	CAP-CHAMBER			1
16009	16009-1634	NEEDLE-JET, N99A			
	L			EU	1
16009A	16009-1639	NEEDLE-JET, N99C			
	L			NR	1
16014	16014-1033	SCREW-PILOT AIR			1
16016	16016-1028	PLUNGER, STARTER			1
16017	16017-1320-KDX	"NEEDLE-JET"			1
16021	16021-1142	SCREW-THROTTLE STOP			1
16025	16025-1143	VALVE-THROTTLE, CA6.0			1
16030	16030-1064	VALVE-FLOAT			1
16031	16031-1065	FLOAT			1
16049	16049-1051	COVER-MAIN JET			1
16065	16065-1162	HOLDER-CARBURETOR			1
16065A	16065-1209	HOLDER-CARBURETOR			1
35011	35011-1539	STAY			1
92015	92015-1674	NUT			1
92015A	92015-1772	NUT, CABLE ADJUST LOCK			1
92036	92036-018	RING-SNAP			1
92037	92037-1396	CLAMP, TUBE			2
92037A	92037-1401	CLAMP, JET NEEDLE			1
92037B	92037-147	CLAMP, TUBE			2
92037C	92037-1527	CLAMP, 43MM			1
92037D	9037-1991	CLAMP, FLOAT			1
92043	92043-1207	PIN, FLOAT			1
92055	92055-1167	RING-O, MAIN JET COVER			1
92055A	92055-1389	RING-O, FLOAT CHAMBER			1
92055B	92055-1390	RING-O, CHAMBER TOP			1
92059	92059-1295	TUBE, 5.8X10.8X215			1
92059A	92059-1844	TUBE, 4X7X300			1
92059B	92059-1941	TUBE, 4X7X360			1
92063	92063-1334	JET-MAIN, #125			
	L			EU	1
		(OFF ROAD USE ONLY)			
92063A	92063-1353	JET-MAIN, #110			
	L			NR	1

This catalog covers:
 '92 KDX125-A3 Engine

GRID NO.

C-4

This grid covers:
 Carburetor(2/2)

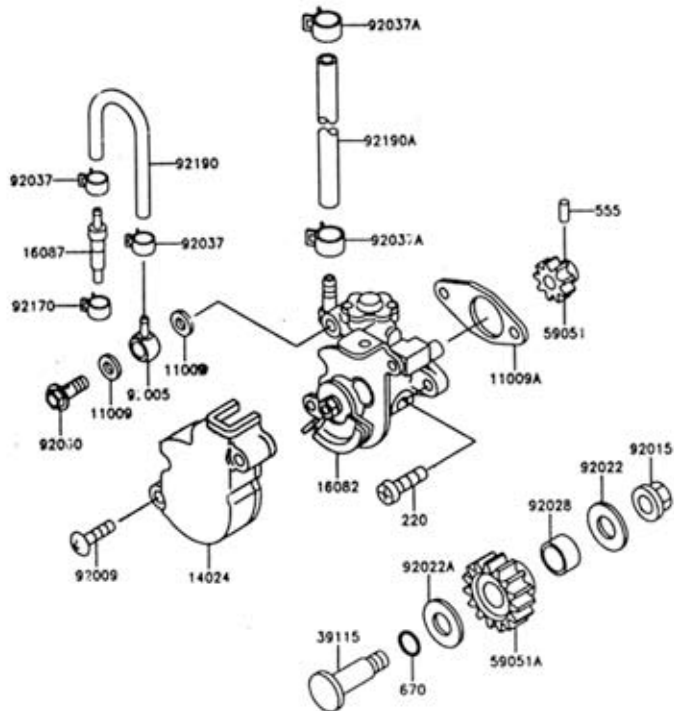


Ref. No.	Part No.	Description	Spec Code	Quantity-KDX125	
				'92	A3
92063B	92063-1355	JET-MAIN,#115			
		(OFF ROAD USE ONLY)			
92063C	92063-1356	JET-MAIN,#118			
		(OFF ROAD USE ONLY)			
92063D	92063-1357	JET-MAIN,#120			
92063E	92063-1358	JET-MAIN,#122			
		(OFF ROAD USE ONLY)			
92064	92064-1139	JET-PILOT,#38			
92064A	92064-1141	JET-PILOT,#42			
92081	92081-1555	SPRING,ADJUST SCREW	EU		1
92144	92144-1177	SPRING,THROTTLE VALVE			1
92170	92170-1113	CLAMP,CARBURETOR HOSE			1
132	132G0620	BOLT-FLANGED-SMALL			6
223	223C0416	SCREW-PAN-WS-CROS			2

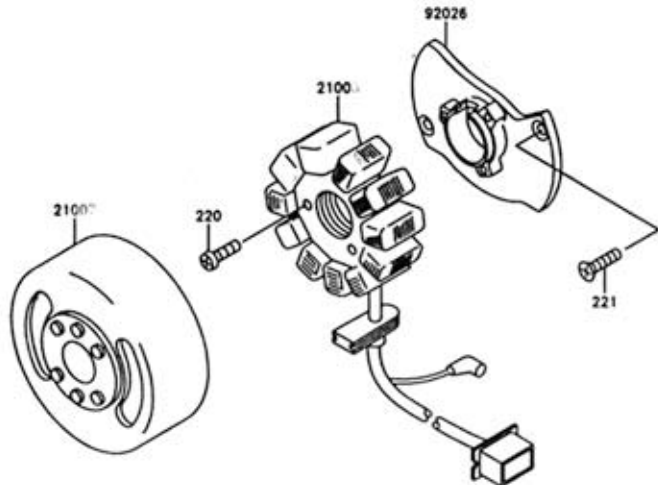
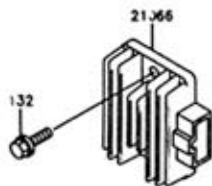
This catalog covers:
'92 KDX125-A3 Engine

GRID NO. This grid covers:
C-5 Oil Pump

E1710



Ref. No.	Part No.	Description	Spec Code	Quantity KDX125		
				'92	A3	
11009	11009-1298	GASKET,6X12X1.0		2		
11009A	11009-1937	GASKET,OIL PUMP		1		
14024	14024-1910	COVER,OIL PUMP		1		
16082	16082-1107	PUMP-ASSY-OIL		1		
16087	16087-1001	VALVE-CHECK		1		
39115	39115-1064	SHAFT-IDLER		1		
59051	59051-1226	GEAR-SPUR,OIL PUMP,9T		1		
59051A	59051-1227	GEAR-SPUR,PUMP IDLE,18T		1		
92005	92005-1146	FITTING		1		
92009	92009-1491	SCREW,5X20,WHITE		2		
92015	92015-1078	NUT,FLANGED,6MM		1		
92022	92022-1369	WASHER,6.2X18X1.2		1		
92022A	92022-1475	WASHER,8X16X0.5		1		
92028	92028-1589	BUSHING,8X12X8.8		1		
92037	92037-1260	CLAMP,TUBE		2		
92037A	92037-1601	CLAMP		2		
92060	92060-013	BOLT,BANJO,L = 16		1		
92170	92170-2043	CLAMP		1		
92190	92190-1191	TUBE,3X6X120		1		
92190A	92190-1210	TUBE,4.5X9X325		1		
220	220B0516	SCREW-PAN-CROS		2		
555	555A0312	PIN-SPRING		1		
670	670B1507	O RING,7MM		1		



Ref. No.	Part No.	Description	Spec Code	Quantity-KDX125	
				'92	A3
1003	21003-1224	STATOR		1	
1007	21007-1220	ROTOR,MAGNETO		1	
21066	21066-1039	REGULATOR-VOLTAGE		1	
92026	92026-1381	SPACER		1	
132	132G0614	BOLT-FLANGED-SMALL		2	
220	220B0530	SCREW-PAN-CROS		3	
221	221B0616	SCREW-CSK-CROS,6X16		2	

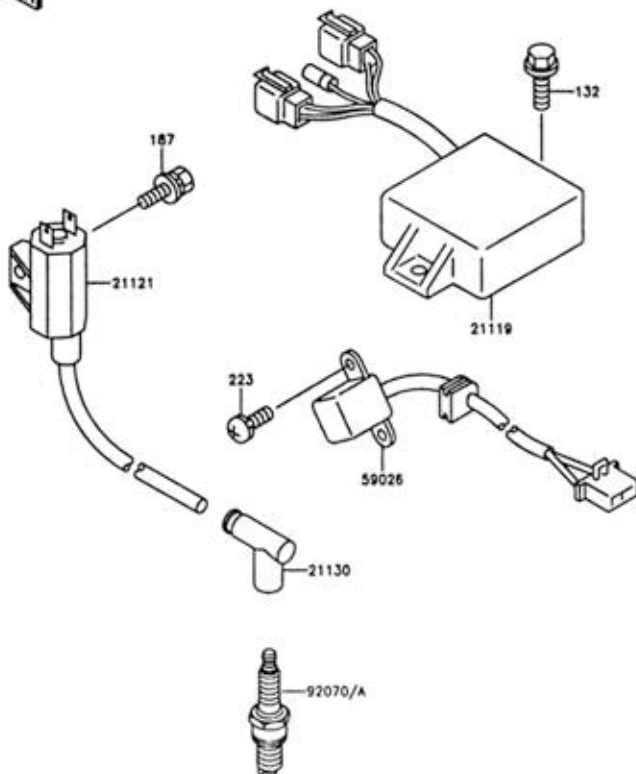
This catalog covers:
 '92 KDX125-A3 Engine

GRID NO.

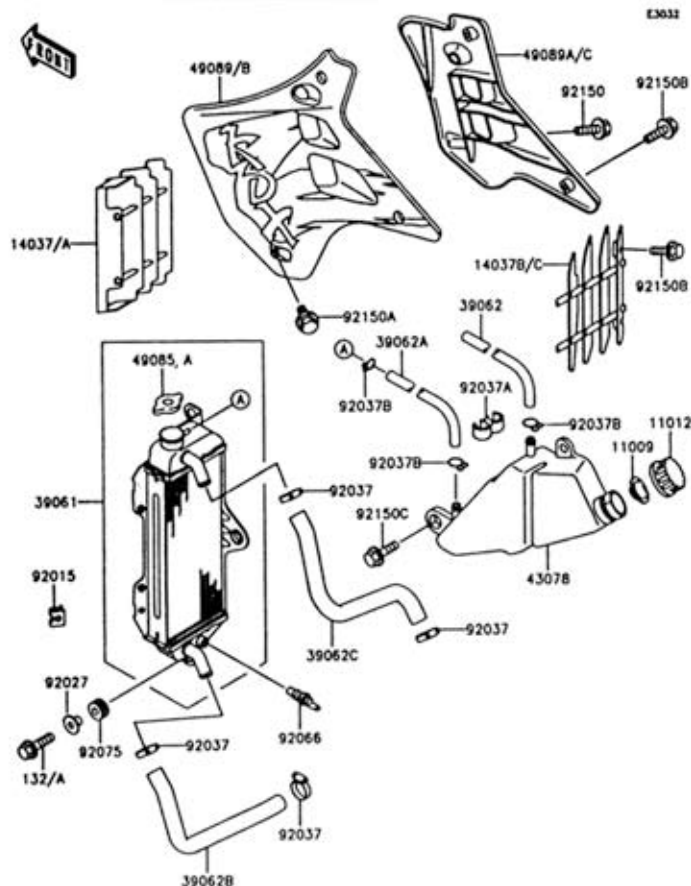
C-7

This grid covers:
Ignition Coil

E1830



Ref. No.	Part No.	Description	Spec Code	Quantity-KDX125	
				92	A3
21119	21119-1335	IGNITER		1	
21121	21121-1147	COIL-IGNITION		1	
21130	21130-1062	CAP-SPARK PLUG		1	
59026	59026-1079	COIL-PULSING		1	
92070	92070-1157 (OPTION)	PLUG-SPARK, BR8ES(NGK)		1	
92070A	92070-2078	PLUG-SPARK, BR8ES(NGK)		1	
132	132G0614	BOLT-FLANGED-SMALL		2	
187	187C0616	BOLT-UPSET-WSP		1	
223	223B0514	SCREW-PAN-WS-CROS		2	



E3032

Ref. No.	Part No.	Description	Spec Code	Quantity-KDX125	
				'92	A3
11009	11009-1145	GASKET,RESERVOIR TANK CAP		1	
11012	11012-1084	CAP		1	
14037	14037-1099-BV	SCREEN,LH,BLUE 24		1	
14037A	14037-1099-6W	SCREEN,L.GREEN		1	
14037B	14037-1121-BV	SCREEN,RH,BLUE 24		1	
14037C	14037-1121-6W	SCREEN,RH,L.GREEN		1	
39061	39061-1180	RADIATOR-ASSY		1	
39062	39062-1315	HOSE-COOLING,5X9X420		1	
39062A	39062-1334	HOSE-COOLING,5X9X1050		1	
39062B	39062-1373	HOSE-COOLING,RADIATOR-PUMP		1	
39062f	39062-1374	HOSE-COOLING,HEAD-RADIATOR		1	
43078	43078-1118	RESERVOIR		1	
49085	49085-1003	CAP-ASSY-PRESSURE		1	
49085A	49085-1058	CAP-ASSY-PRESSURE,P=1.6 (OPTION)		1	
49089	49089-5141-6W	SHROUD-ENGINE,LH,L.GREEN		1	
49-89A	49089-5142-6W	SHROUD-ENGINE,RH,L.GREEN		1	
49087f	49089-5145-BV	SHROUD-ENGINE,LH,BLUE 24		1	
49089C	49089-5146-BV	SHROUD-ENGINE,RH,BLUE 24		1	
92015	92015-1487	NUT		2	
92027	92027-194	COLLAR,L=11.1		3	
92037	92037-1589	CLAMP,COOLING HOSE		4	
92037A	92037-1603	CLAMP,HOSE		1	
92037B	92037-1712	CLAMP		3	
92066	92066-1118	PLUG,SENSOR,WATER		1	
92075	92075-209	DAMPER		3	
92150	92150-1339	BOLT,6X20		1	
92150A	92150-1340	BOLT,6X14		1	
92150B	92150-1435	BOLT,6X12		5	
92150C	92150-1504	BOLT,FLANGED,6X14		1	
132	132G0625	BOLT-FLANGED-SMALL		3	

This catalog covers:

'92 KDX125-A3 Chassis

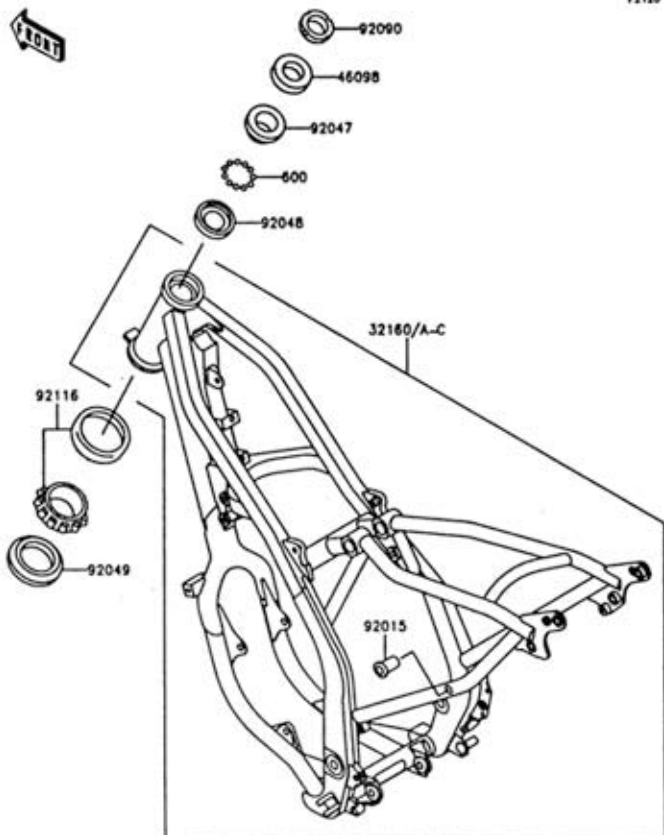
GRID NO.

D-3

This grid covers:

Frame

F2120



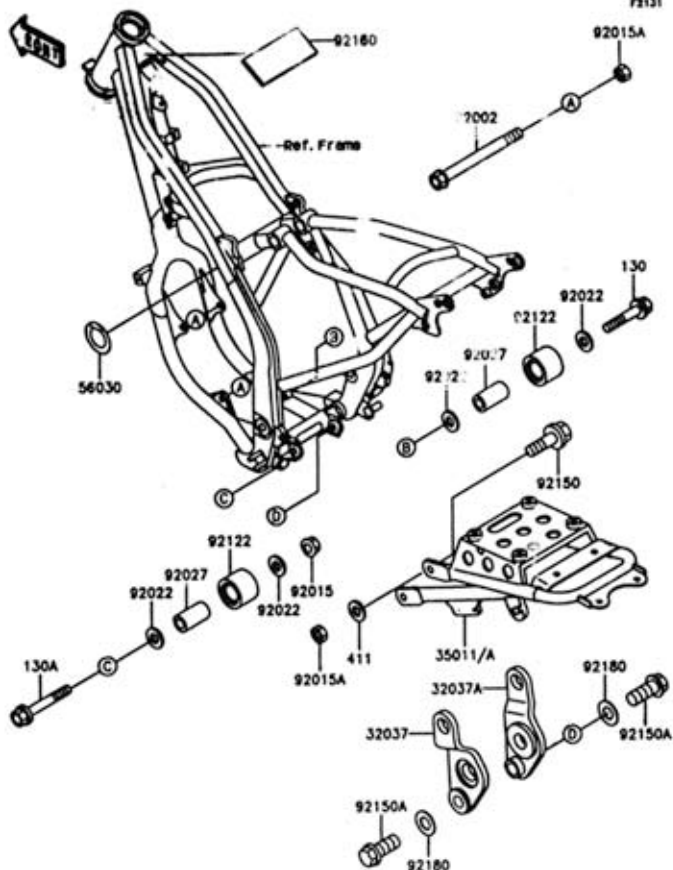
Ref. No.	Part No.	Description	Spec Code	Quantity-KDX125	
				'92	A3
32160	32160-1230-CC	FRAME-COMP,L.GREEN			
	L		EU	1	
32160A	32160-1230-W1	FRAME-COMP,BLUE NO.1			
	L		EU	1	
32160B	32160-1232-CC	FRAME-COMP,L.GREEN			
	L		NR	1	
32160C	32160-1232-W1	FRAME-COMP,BLUE NO.1			
	L		NR	1	
46098	46098-018	CAP,STEERING STEM			
					1
92015	92015-1759	NUT,POP,6MM			1
92047	92047-014	CONE,STEERING STEM BEARING			1
92048	92048-009	RACE,STEERING STEM BEARING			1
92049	92049-1162	SEAL-OIL,XMHE36X52X4J			1
92090	92090-022	NUT,STEERING LOCK,25MM			1
92116	92116-1009	BEARING-ROLLER,HR320/28XJ			1
600	600A0600	BALL-STEEL,3/16"			23

This catalog covers:
 '92 KDX125-A3 Chassis

GRID NO.

D-4

This grid covers:
Frame Fitting



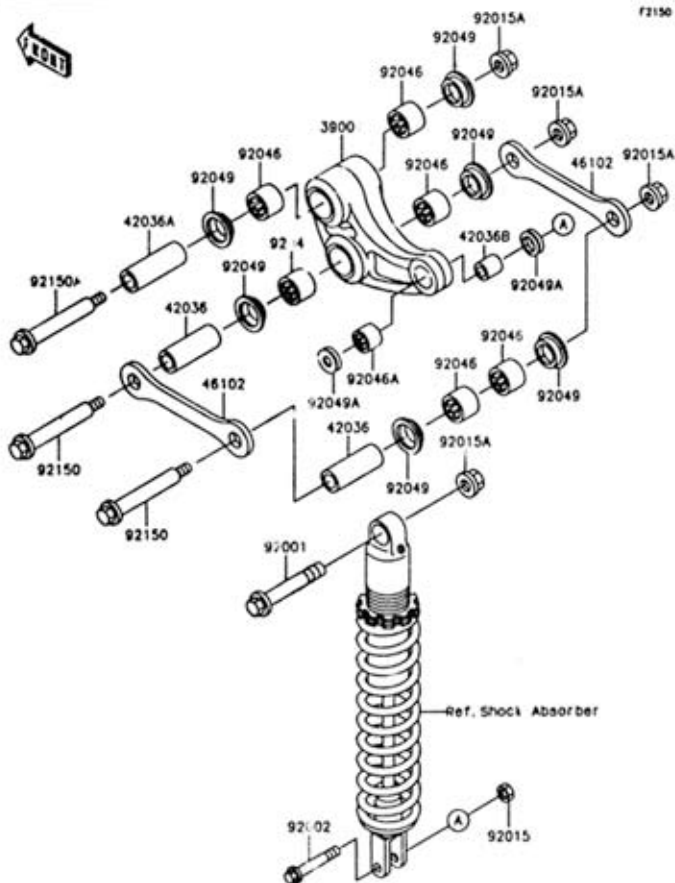
Ref. No.	Part No.	Description	Spec Code	Quantity-KDX125			
				92	A3		
32037	32037-1548	BRACKET-SHOCKABSORBER,LWR,LH		1			
32037A	32037-1549	BRACKET-SHOCKABSORBER,LWR,RH		1			
35011	35011-1606-CC	STAY,REAR FRAME,L,GREEN		1			
35011A	35011-1606-W1	STAY,REAR FRAME,BLUE NO.1		1			
56030	56030-1115	LABEL,IGNITION		1			
92002	92002-1491	BOLT,FLANGED,10X105		2			
92015	92015-1143	NUT,8MM		1			
92015A	92015-1429	NUT,LOCK,10MM		6			
92022	92022-1561	WASHER,8.5X20X1.6		4			
92027	92027-1670	COLLAR,CHAIN ROLLER		2			
92122	92122-1153	ROLLER,CHAIN GUIDE		2			
92150	92150-1174	BOLT,FLANGED,10X30		4			
92150A	92150-1359	BOLT,FLANGED,12X27		2			
92160	92160-1073	DAMPER		1			
92180	92180-1060	SHIM,12.5X24X0.5		2			
130	130G0840	BOLT-FLANGED,8X40		1			
130A	130G0855	BOLT-FLANGED,8X55		1			
411	411B1000	WASHER-PLAIN,10MM		4			

This catalog covers:
 '92 KDX125-A3 Chassis

GRID NO.

D-6

This grid covers:
Suspension



r2150

Ref. No.	Part No.	Description	Spec Code	Quantity-KDX125		
				92	A3	
3900	39007-1185	ARM-SUSP,UNI TRAK		1		
4203	12036-1245	SLEEVE,15X22X57		2		
42036A	42036-1246	SLEEVE,15X22X63		1		
42036B	42036-1248	SLEEVE,10X16X19		1		
46102	46102-1278	ROD,SUSPENSION		2		
92001	92001-1986	BOLT,FLANGED,12X75		1		
92002	92002-1675	BOLT,10X40		1		
92015	92015-1429	NUT,LOCK,10MM		1		
92015A	92015-1433	NUT,FLANGED,12MM		4		
92046	92046-1162	BEARING-NEEDLE,F-2220		6		
92046A	92046-1192	BEARING-NEEDLE,16BM2212		1		
92049	92049-1254	SEAL-OIL,MHA22 28 5.7F		6		
92049A	92049-1330	SEAL-OIL		2		
92150	92150-1213	BOLT,ROD,12X85		2		
92150A	92150-1337	BOLT,ROD,12X93		1		

This catalog covers:

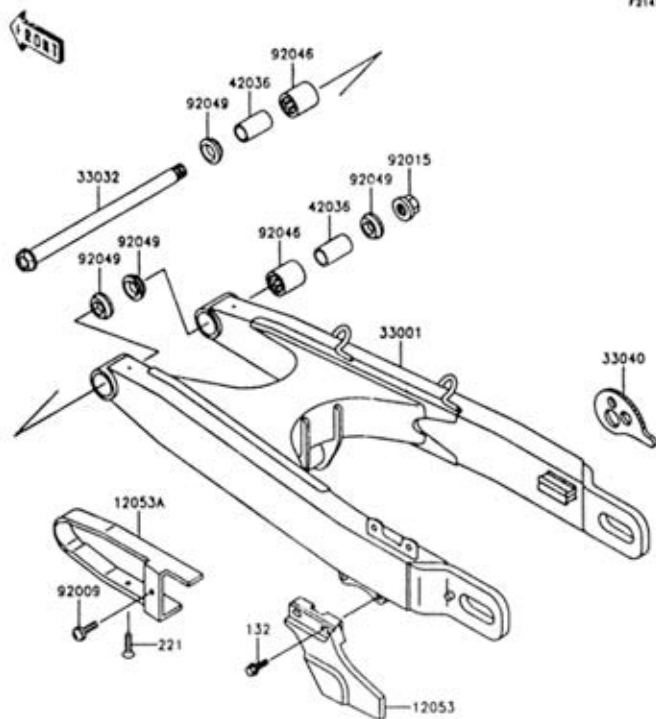
'92 KDX125-A3 Chassis

GRID NO.

D-5

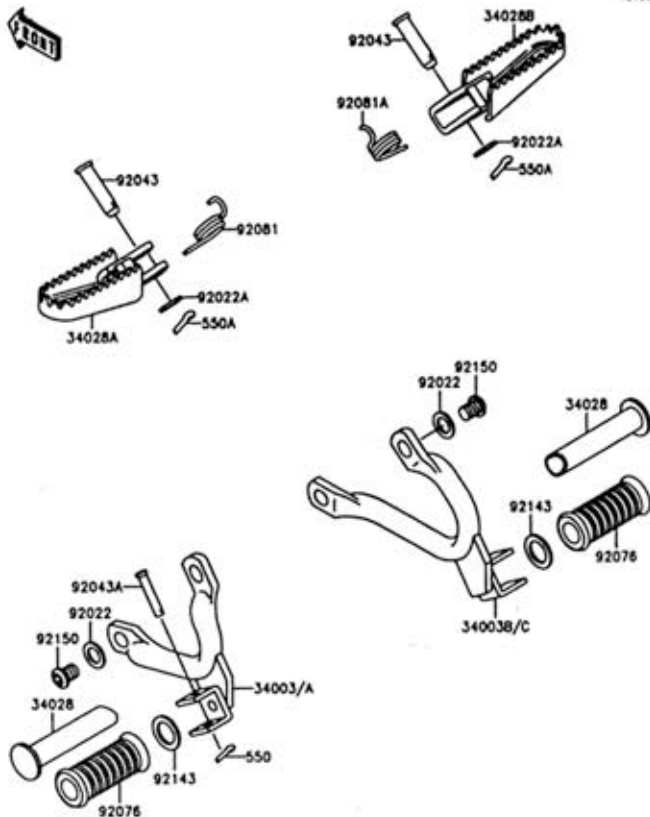
This grid covers:

Swing Arm



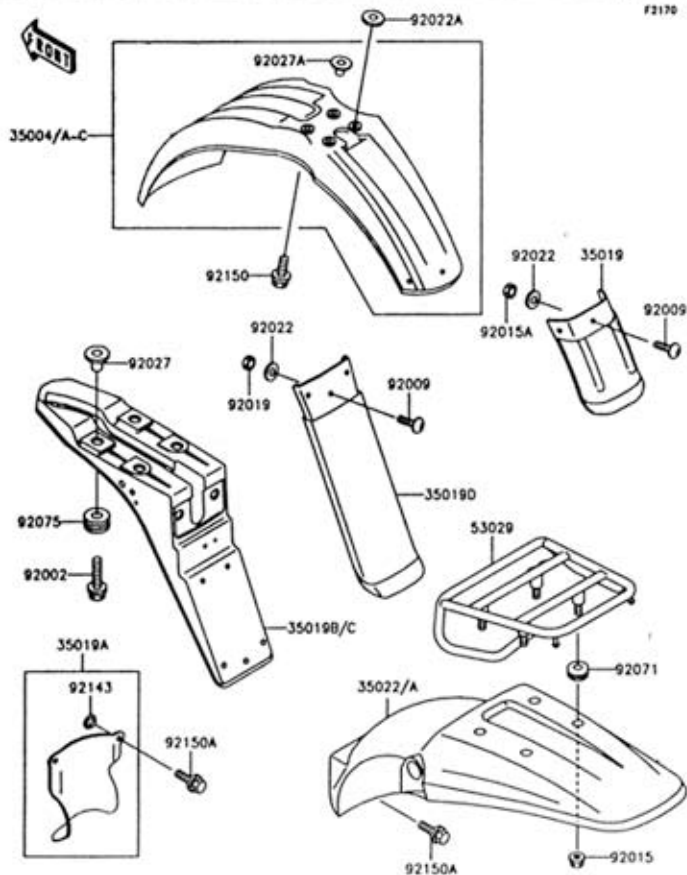
F2141

Ref. No.	Part No.	Description	Spec Code	Quantity-KDX125	
				'92	A3
12053	12053-1104	GUIDE-CHAIN,RR		1	
12053A	12053-1293	GUIDE-CHAIN,DRIVE,FR		1	
33001	33001-1387-CE	ARM-COMP-SWING,SILVER NO.25		1	
33032	33032-1156	SHAFT-SWING ARM		1	
33040	33040-1113	ADJUSTER-CHAIN		1	
42036	42036-1263	SLEEVE,SWING ARM,L = 48		2	
92009	92009-1288	SCREW,6X14		1	
92015	92015-1407	NUT,14MM		1	
92046	92046-1110	BEARING-NEEDLE,BM202726		2	
92049	92049-1109	SEAL-OIL,ARM,CNT		4	
132	132G0645	BOLT-FLANGED-SMALL		2	
221	221B0610	SCREW-CSK-CROS,6X10		1	



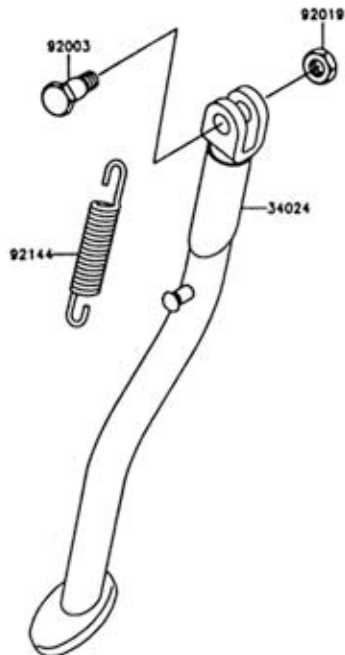
r314c

Ref. No.	Part No.	Description	Spec Code	Quantity-KDX125		
				'92	A3	
34003	34003-1335-CC	HOLDER-STEP,LH,L.GREEN		1		
34003A	34003-1335-W1	HOLDER-STEP,LH,BLUE NO.1		1		
34003B	34003-1336-CC	HOLDER-STEP,RH,L.GREEN		1		
34003C	34003-1336-W1	HOLDER-STEP,RH,BLUE NO.1		1		
34028	34028-009	STEP,RR		2		
34028A	34028-1302	STEP,LH		1		
34028B	34028-1303	STEP,RH		1		
92022	92022-1829	WASHER,10.2X16X1		4		
92022A	92022-239	WASHER,10.5X20X1		2		
92043	92043-1217	PIN,10X35		2		
92043A	92043-1464	PIN,6X28		2		
92076	92076-020	DAMPER		2		
92081	92081-1606	SPRING,STEP,LH		1		
92081A	92081-1607	SPRING,STEP,RH		1		
92143	92143-1467	COLLAR,20X30X8		2		
92150	92150-1111	BOLT,SOCKET,10X16		4		
550	550D2015	PIN-COTTER,2.0X15		2		
550A	550D2018	PIN-COTTER,2.0X18		2		



F2170

Ref. No.	Part No.	Description	Spec Code	Quantity-KDX125			
				'92	A3		
35004	35004-1262-BV	FENDER-FRONT, BLUE 24					
	L		EU	1			
35004A	35004-1262-6W	FENDER-FRONT, L GREEN					
	L		EU	1			
35004B	35004-1279-BV	FENDER-FRONT, BLUE 24					
	L		NR	1			
35004C	35004-1279-6W	FENDER-FRONT, L GREEN					
	L		NR	1			
35019	35019-1002	FLAP, FENDER, FR					
	L		NR	1			
35019A	35019-1264	FLAP, RR FENDER, FR					
35019B	35019-1274	FLAP, RR FENDER, RR					
	L		EU	1			
35019C	35019-1275	FLAP, RR FENDER, RR					
	L		NR	1			
35019D	35019-1279	FLAP, RR FENDER, RR, LWR					
	L		NR	1			
35022	35022-1266-BV	FENDER-COMP-REAR, BLUE 24					
	L		NR	1			
35022A	35022-1266-6W	FENDER-COMP-REAR, L GREEN					
53029	53029-1134	CARRIER					
92002	92002-1135	BOLT, 6X25					
92009	92009-1287	SCREW, 6X14, WHITE					
	L		NR	6			
92015	92015-1143	NUT, 8MM					
	L		NR	4			
92015A	92015-1153	NUT, CAP, 6M/M					
	L		NR	3			
92019	92019-008	NUT, LOCK, 6MM					
	L		NR	3			
92022	92022-024	WASHER, 7X16X1.2					
	L		NR	6			
92022A	92022-125	WASHER, 6.5X20X1.6					
	L		NR	2			
92027	92027-1183	COLLAR					
	L		NR	4			
92027A	92027-1936	COLLAR					
92071	92071-1210	GROMMET					
	L		NR	4			
92075	92075-1690	DAMPER					
	L		NR	4			
92143	92143-1196	COLLAR					
	L		NR	2			
92150	92150-1339	BOLT, 6X20					
	L		NR	4			
92150A	92150-1340	BOLT, 6X14					
	L		NR	4			



F3190

Ref. No.	Part No.	Description	Spec Code	Quantity-KDX125			
				'92			
34024	34024-1267	STAND-SIDE					1
92003	92003-157	BOLT,SIDE STAND					1
92019	92019-021	NUT,LOCK,10MM					1
92144	92144-1017	SPRING,SIDE STAND					1

This catalog covers:
 '92 KDX125-A3 Chassis

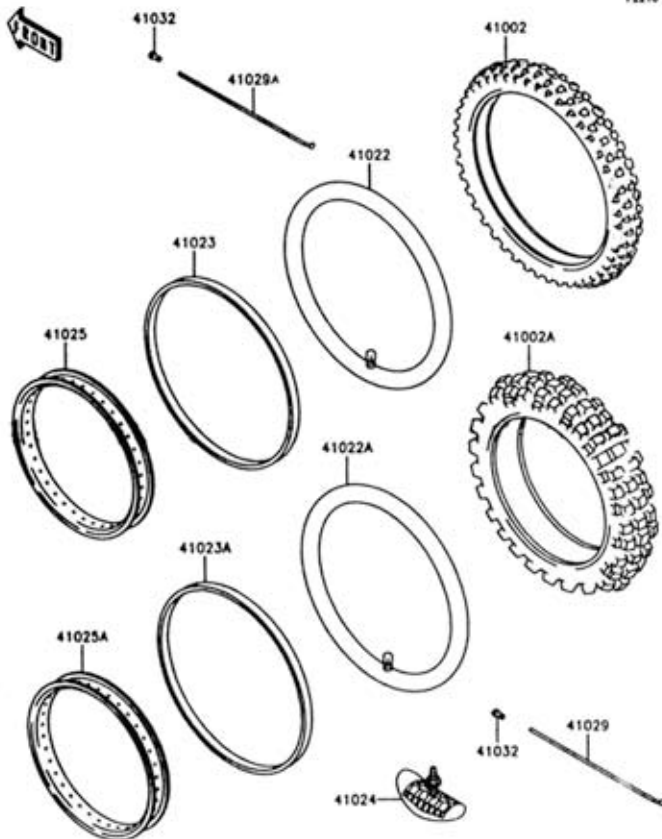
GRID NO.

D-10

This grid covers:

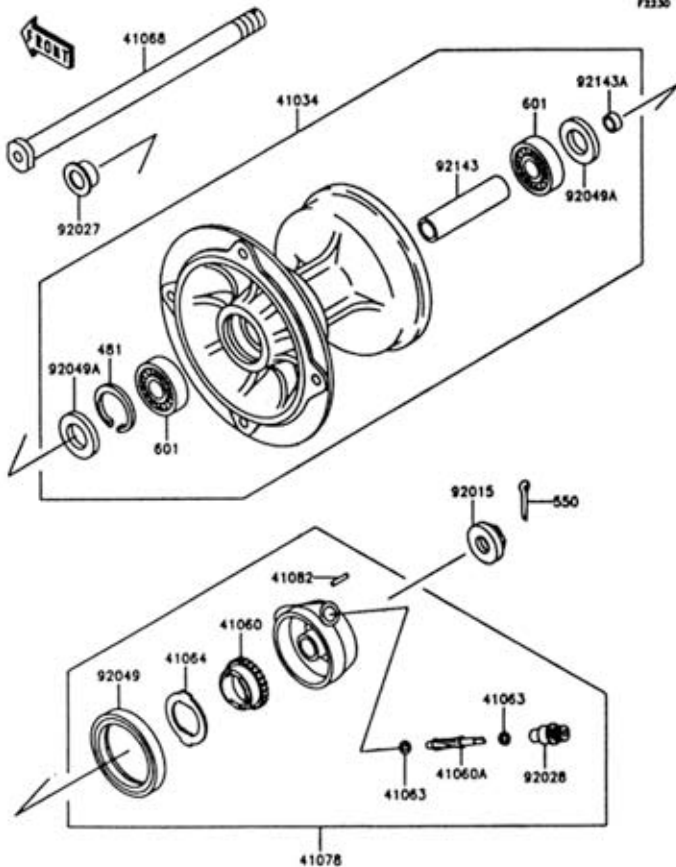
Tire

F3210



Ref. No.	Part No.	Description	S ec Code	Quantity-KDX125			
				'92			
41002	41002-1785	TIRE,FR,70/100-21 44P,TW49(BS)		1			
41002A	41002-1786	TIRE,RR,4.10-18 4PR,TW50(BS)		1			
41022	41022-1144	TUBE-1 RE,70/100-21(BS)		1			
41022A	41022-1145	TUBE-T RE,4.10-18(BS)		1			
41023	41023-1009	BAND-1 IM,X-21(BS)		1			
41023A	41023-1086	BAND-R M,4.10-18(BS)		1			
41024	41024-011	STOPPER-RIM,1.85-M(DUNLOP)		1			
		(OPTION)					
41025	41025-1246	RIM,FR, 60X21		1			
41025A	41025-1247	RIM,RR,1.85X18		1			
41029	41029-1199	SPOKE-INNER,RR,189MMX160D		36			
41029A	41029-1206	SPOKE-INNER,FR,228MMX165D		36			
41032	41032-1061	NIPPLE-SPOKE		72			

F2330



Ref. No.	Part No.	Description	Spec Code	Quantity - KDX125	
				'92	'97
					A3
41034	41034-1218	DRUM-ASSY, FRONT BRAKE			1
41060	41060-1101	GEAR-METER SCREW, 24T			1
	41060-1146	PI/NON PLASTICO			1
41060A	41060-1102	GEAR-METER SCREW, 8T			1
41063	41063-001	WHASER,5.1X9X0.4			2
41064	41064-1051	RECEIVER-SPEEDOMETER			1
41068	41068-1309	AXLE, FR			1
41078	41078-1080	CASE-ASSY-METER GEAR			1
41078A	41078-1096	CASE ASSY			1
41082	41082-001	PIN, SPRING			1
92015	92015-1407	NUT, 14MM			1
92027	92027-1959	COLLAR, L=12			1
92028	92028-1066	BUSHING, SPEEDOMETER			1
92049	92049-1172	SEAL-OIL, METER GEAR CASE			1
92049A	92049-1176	SEAL-OIL, MH20354.5			2
92143	92143-1452	COLLAR, FR BRAKE DRUM,L=70			1
92143A	92143-1453	COLLAR, FR AXLE, L=5			1
481	481J3500	CIRCLIP-TYPE-C,35MM			1
550	550D3025	PIN-COTTER, 3.0X25			1
601	601B6202UG	BEARING-BALL, #6202UG			2

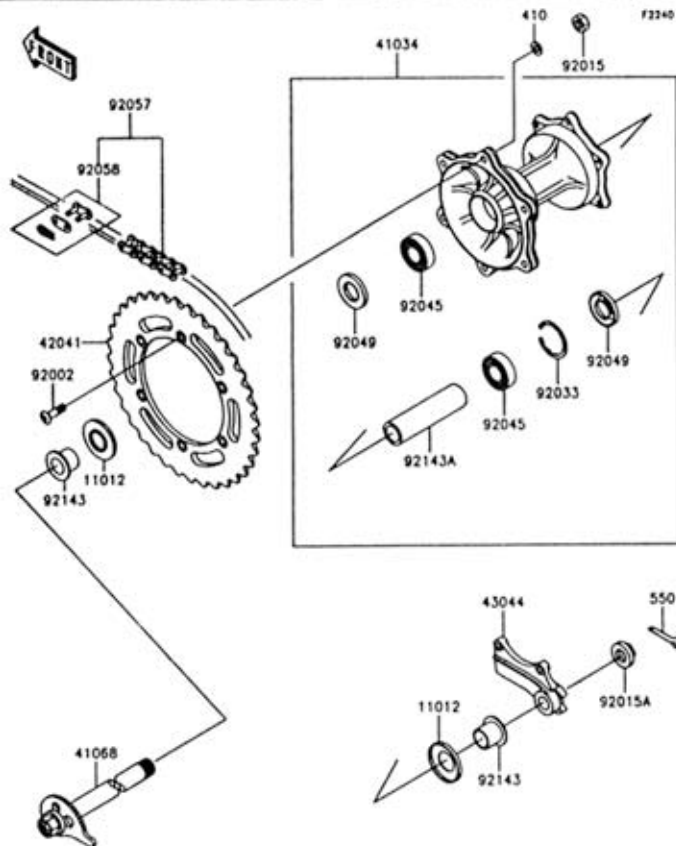
This catalog covers.
 '92 KDX125-A3 Chassis

GRID NO.

D-12

This grid covers:

Rear Hub



Ref. No.	Part No.	Description	Spec Code	Quantity-KDX125	
				'92	A3
11012	11012-1581	CAP_REAR AXLE		2	
41034	41034-1216	DRUM_ASSY_REAR BRAKE		1	
41068	41068-1330	AXLE_RR		1	
42041	42041-1350	SPROCKET-HUB_52T		1	
43044	43044-1092	HOLDER-COMP-CALIPER		1	
92002	92002-1387	BOLT_8MM		6	
92015	92015-1124	NUT_LOCK_8MM		6	
92015A	92015-1724	NUT_FLANGED_20MM		1	
92033	92033-1041	RING-SNAP_42MM		1	
92045	92045-1239	BEARING-BALL_6004X8JRLX2/3A		2	
92049	92049-1203	SEAL-OIL_BJNC2 25425		2	
92057	92057-1331	CHAIN_DRIVE_EK428SH-RX132L		1	
92058	92058-1058	JOINT-CHAIN		1	
92143	92143-1356	COLLAR_RR AXLE,L = 20		2	
92143A	92143-1402	COLLAR_RR BRAKE DRUM,L = 105		1	
410	410B0800	WASHER-PLAIN-SMALL_8MM		6	
550	550D3025	PIN-COTTER_3.0X25		1	

This catalog covers:
 '92 KDX125-A3 Chassis

GRID NO.

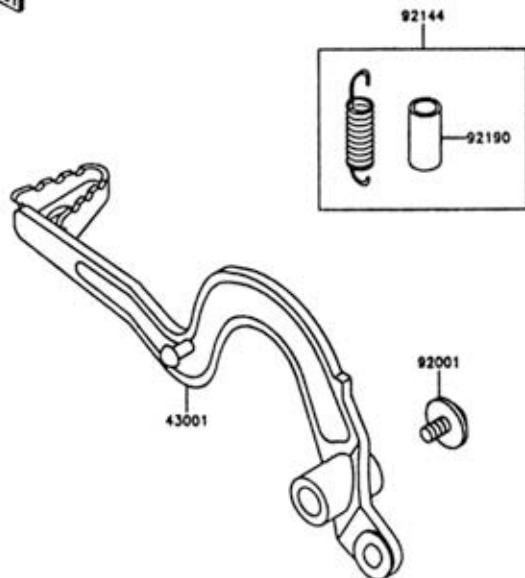
D-13

This grid covers:

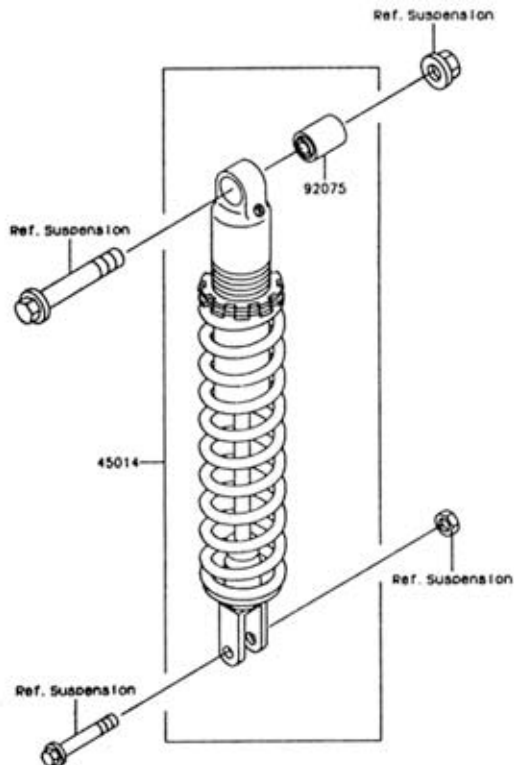
Brake Pedal

F3280

FRONT

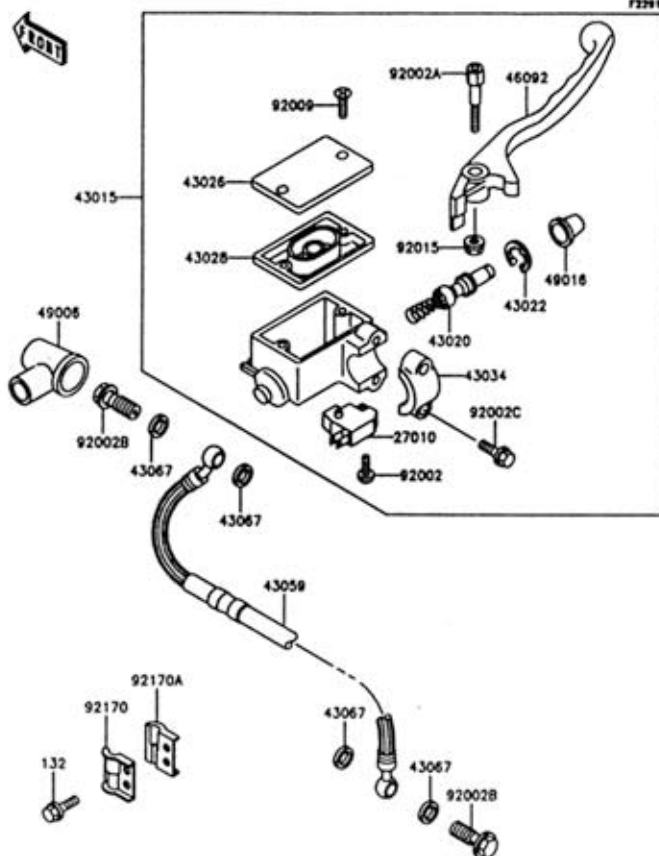


Ref. No.	Part No.	Description	Spec Code	Quantity-KDX125			
				'92	A3		
43001	43001-1300	LEVER-BRAKE,PEDAL				1	
92001	92001-1034	BOLT,FLANGED,6X10				1	
92144	92144-1632	SPRING,BRAKE PEDAL RETURN				1	
92190	92190-1252	TUBE,12X15X18				1	



F2280

Ref. No.	Part No.	Description	Spec Code	Quantity-KDX125		
				'92		
45014	45014-1467	SHOCKABSORBER				1
92075	92075-1497	DAMPER,SHOCKABSORBER				1



Ref. No.	Part No.	Description	Spec Code	Quantity-KDX125	
				92	A3
27010	27010-1170	SWITCH,BRAKE		1	
43015	43015-1476	CYLINDER-ASSY-MASTER,FR		1	
43020	43020-1098	PISTON-COMP-BRAKE		1	
43022	43022-1010	STOPPER-BRAKE,PISTON		1	
43026	43026-1074	CAP-BRAKE		1	
43028	43028-1061	DIAPHRAGM		1	
43034	43034-1016	HOLDER-BRAKE,MASTER CYLINDER		1	
43059	43059-1690	HOSE-BRAKE,FR		1	
43067	43067-001	WASHER,10.5X15X1.5		4	
46092	46092-1140	LEVER-GRIP,FRONT BRAKE		1	
49006	49006-1040	BOOT,DUST		1	
49016	49016-1044	COVER-SEAL,MASTER CYLINDER		1	
92002	92002-1323	BOLT,SCREW,4X12		1	
92002A	92002-1879	BOLT,L,LEVER SET		1	
92002B	92002-1888	BOLT,OIL,L = 23		2	
92002C	92002-1894	BOLT		2	
92009	92009-1458	SCREW,4MM		2	
92015	92015-1233	NUT,FLANGED,6MM		1	
92170	92170-1231	CLAMP,BRAKE HOSE,OUTSIDE		1	
92170A	92170-1232	CLAMP,BRAKE HOSE,INSIDE		1	
132	132G0616	BOLT-FLANGED-SMALL		2	

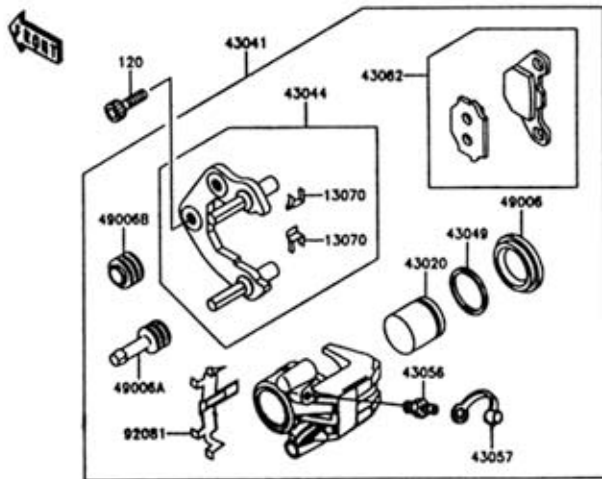
This catalog covers:
 '92 KDX125-A3 Chassis

GRID NO.

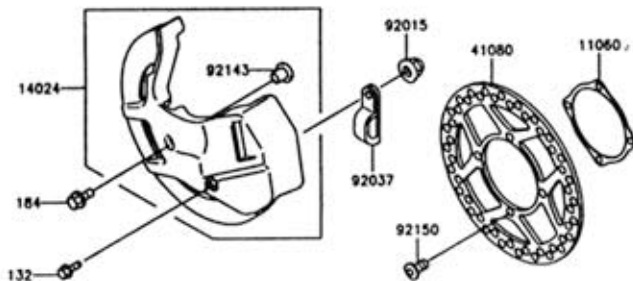
E-4

This grid covers:
 Front Caliper

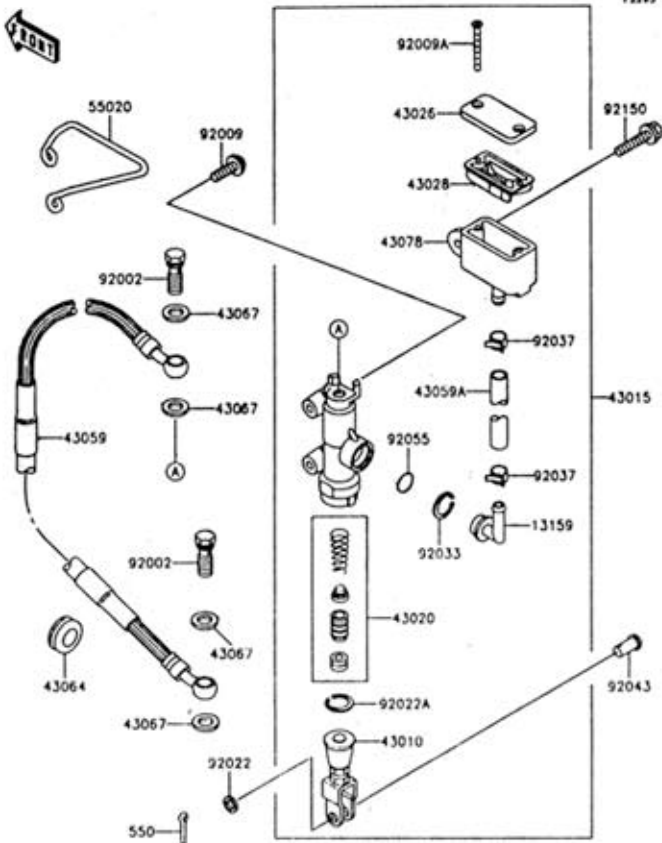
72292



Ref. No.	Part No.	Description	Spec Code	Quantity-KDX125	
				'92	A3
11060	11060-1163	GASKET,DISC PLATE		1	
13070	13070-1183	GUIDE,PAD STOPPER		2	
14024	14024-1861-6F	COVER,DISC,P.WHITE		1	
41080	41080-1266	DISC,FR		1	
43020	43020-1091	PISTON-COMP-BRAKE		1	
43041	43041-1446	CALIPER-ASSY,FR		1	
43044	43044-1097	HOLDER-COMP-CALIPER,FR		1	
43049	43049-1016	PACKING		1	
43056	43056-1054	BREATHER-BRAKE		1	
43057	43057-003	CAP-BREATHER		1	
43082	43082-1079	PAD-ASSY-BRAKE		1	
49006	49006-1053	BOOT,PISTON SEAL		1	
49006A	49006-1054	BOOT,CALIPER		1	
49006B	49006-1055	BOOT,CALIPER		1	
92015	92015-1153	NUT,CAP,6M/M		1	
92037	92037-1608	CLAMP		1	
92081	92081-1341	SPRING		1	
92143	92143-1196	COLLAR		2	
92150	92150-1423	BOLT,DISC PLATE,8X35		2	
120	120P0835	BOLT-SOCKET,8X35		2	
132	132G0625	BOLT-FLANGED-SMALL		1	
184	184B0812	BOLT-UPSET-WP-SMALL		1	

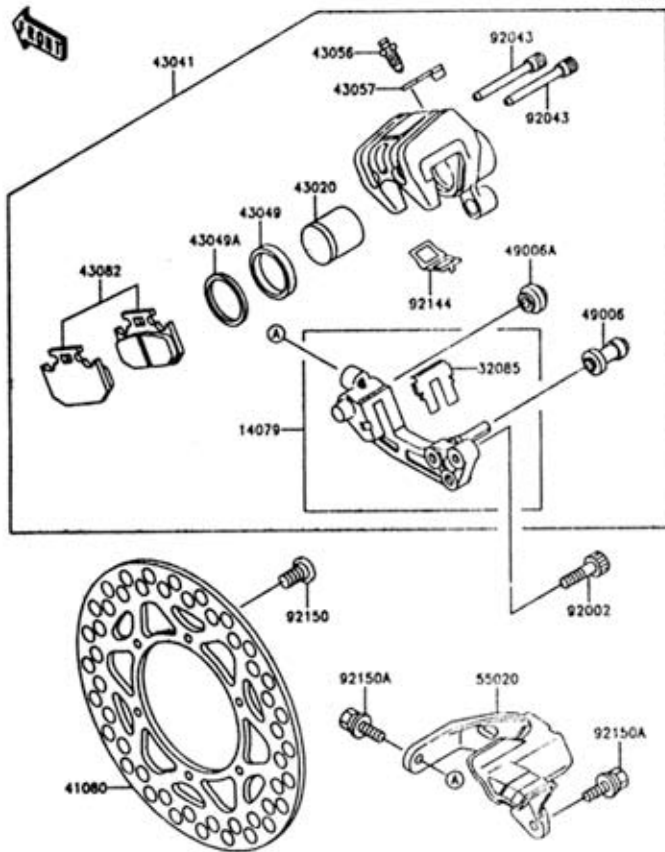


F3293



Ref. No.	Part No.	Description	Spec Code	Quantity-KDX125		
				'92	A3	
13159	13159-1056	CONNECTOR		1		
43010	43010-1068	ROD-ASSY-BRAKE		1		
43015	43015-1515	CYLINDER-ASSY-MASTER,RR		1		
43020	43020-1094	PISTON-COMP-BRAKE		1		
43026	43026-1075	CAP-BRAKE		1		
43028	43028-1067	DIAPHRAGM		1		
43059	43059-1570	HOSE-BRAKE,RR		1		
43059A	43059-1715	HOSE-BRAKE,RR MASTER CYLINDER		1		
43064	43064-007	GROMMET,HOSE CLAMP		2		
43067	43067-001	WASHER,10.5X15X1.5		4		
43078	43078-1122	RESERVOIR		1		
55020	55020-1381	GUARD,RESERVOIR TANK		1		
92002	92002-1888	BOLT,OIL,L = 23		2		
92009	92009-1287	SCREW,6X14,WHITE		2		
92009A	92009-1596	SCREW		2		
92022	92022-1028	WASHER,8.5X13X1		1		
92022A	92022-1601	WASHER,CIRCRIP		1		
92033	92033-1186	RING-SNAP,20.5MM		1		
92037	92037-1710	CLAMP		2		
92043	92043-1039	PIN		1		
92055	92055-1251	RING-O,MASTER CYLINDER		1		
92150	92150-1507	BOLT,FLANGED,6X25		1		
550	550D2015	PIN-COTTER,2.0X15		1		

F2294



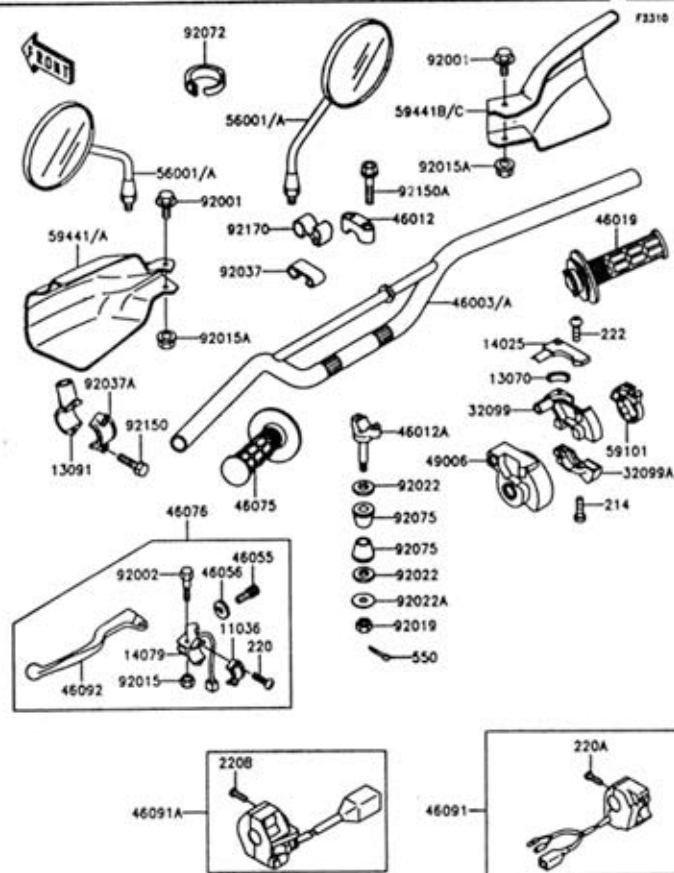
Ref. No.	Part No.	Description	Spec Code	Quantity-KDX125	
				'92	A3
14079	14079-1070	HOLDER-ASSY,REAR CALIPER		1	
32085	32085-1315	STOPPER,PAD		1	
41080	41080-1291	DISC,RR		1	
43020	43020-1088	PISTON-COMP-BRAKE		1	
43041	43041-1430	CALIPER-ASSY,RR		1	
43049	43049-1060	PACKING,PISTON SEAL		1	
43049A	43049-1061	PACKING,PISTON SEAL		1	
43056	43056-1055	BREA DIER-BRAKE		1	
43057	43057-1001	CAP-BREATHER		1	
43082	43082-1090	PAD-ASSY-BRAKE		1	
49006	49006-1088	BOOT,CALIPER		1	
49006A	49006-1242	BOOT,CALIPER		1	
55020	55020-1323-6F	GUARD,CALIPER,P.WHITE		1	
92002	92002-1442	BOLT, SOCKET,8X25		2	
92043	92043-1416	PIN,HUNGER		2	
92144	92144-1364	SPRING,PAD		1	
92150	92150-1423	BOLT, DISC PLATE,8X15		6	
92150A	92150-1506	BOLT, FLANGED,6X16		2	

This catalog covers:
'92 KDX125-A3 Chassis

GRID NO.

E-7

This grid covers:
Handlebar (1/2)



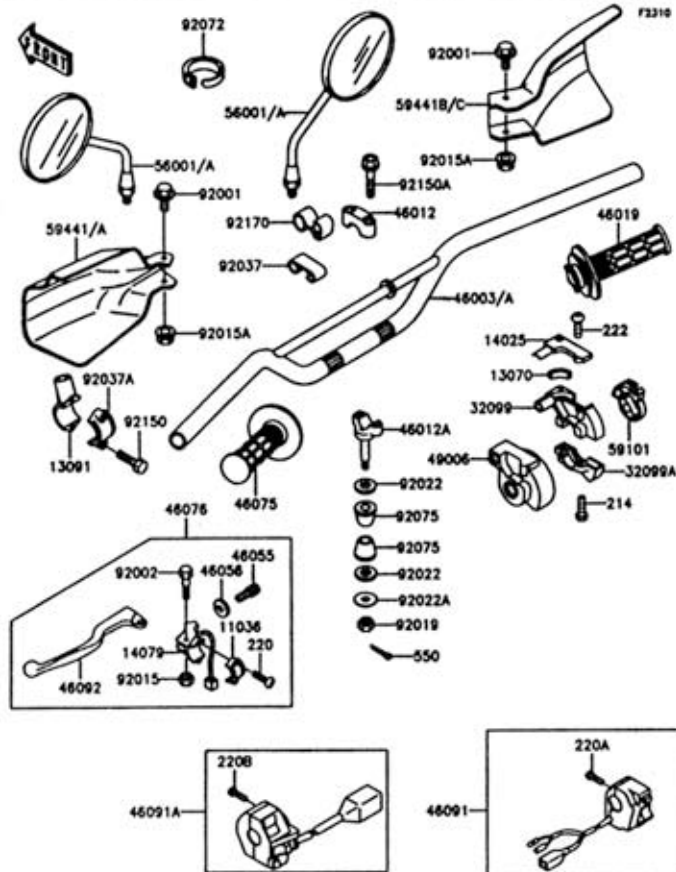
Ref. No.	Part No.	Description	Spec Code	Quantity-KDX125	
				'92	A3
11036	11036-1297	RACKET-A LEVER HOLDER		1	
13070	13070-1074	GUIDE THROTTLE		1	
13091	1 091 1718	HOLDER, MIRROR		2	
14025	1 025-1646	OVER THROTTLE CASE UPP		1	
14079	14079-1069	HOLDER-ASSY, CLUTCH		1	
32099	32099-1036	ASE, THROTTLE UPP		1	
32099A	32099-1044	ASE, THROTTLE LWR		1	
46003	46003-1338 CE	HANDLE, SILVER NO.25		1	
46003A	46003 338-W1	HANDLE, BLUE NO.1		1	
46012	46012-1191	HOLDER-HANDLE		2	
46012A	46012-1211	HOLDER-HANDLE, LWR		2	
46019	46019 1054	GRIP-ASSY THROTTLE		1	
46055	46055-009	SCREW, CABLE ADJUST, 8MM		1	
46056	46056-006	NUT, CABLE ADJUST		1	
46075	46075-1024	GRIP, LH		1	
46076	46076-1167	LEVER-ASSY-GRIP CLUTCH		1	
46091	46091-1550	HOUSING-ASSY-CONTROL, RH		1	
46091A	46091-1551	HOUSING-ASSY-CONTROL, LH		1	
46092	46092-1159	LEVER-GRIP, CLUTCH		1	
49006	49006-1097	BOOT, THROTTLE CASE		1	
56001	56001-1285	MIRROR-ASSY		NR	2
56001A	56001-1286	MIRROR-ASSY		EU	2
59101	59101-1110	REEL THROTTLE		1	
59441	59441-1089-BV	COVER-HANDLE, LH, BLUE 24		1	
59441A	59441-1089-6W	COVER-HANDLE, LH, L. GREEN		1	
59441B	59441-1090-BV	COVER-HANDLE, RH, BLUE 24		1	
59441C	59441-1090-6W	COVER-HANDLE, RH, L. GREEN		1	
92001	92001-1034	BOLT, FLANGED, 6X10		2	
92002	92002-1880	BOLT, LEVER SET		1	
92015	92015-1191	NUT, LOCK, 6MM, BLACK		1	
92015A	92015-1603	NUT, LOCK, 6MM		2	
92019	92019-021	NUT, LOCK, 10MM		2	
92022	92022-105	WASHER, 12.5X30X0.8		4	
92022A	92022-1068	WASHER, 10.2X28X2		2	
92037	92037-1529	CLAMP, BRAKE HOSE		1	
92037A	92037-1621	CLAMP, LEVER HOLDER		2	
92072	92072-1293	BAND, L = 140		4	
92075	92075-1776	DAMPER		4	

This catalog covers:
 '92 KDX125-A3 Chassis

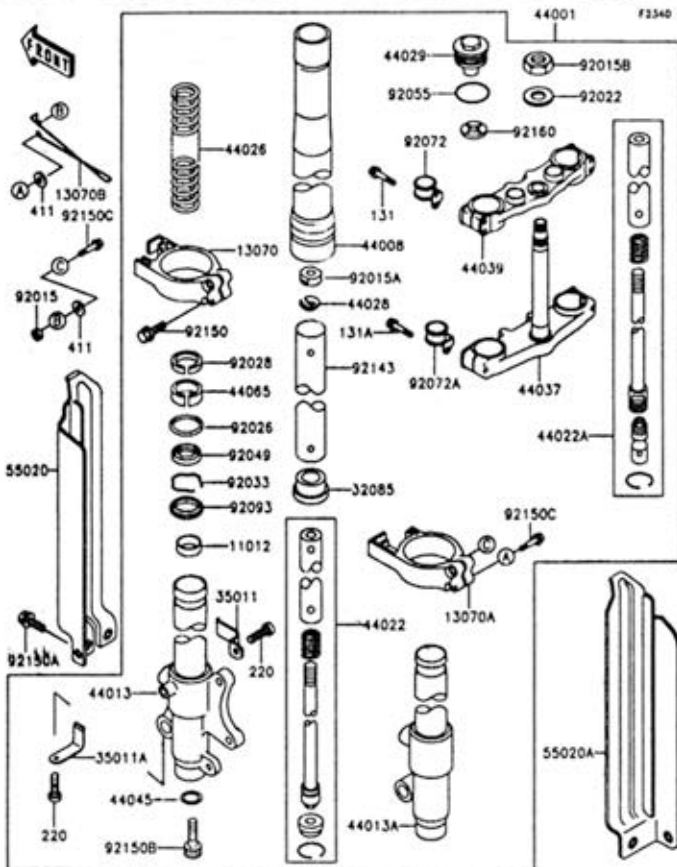
GRID NO.

E-8

This grid covers:
 Handlebar(2/2)



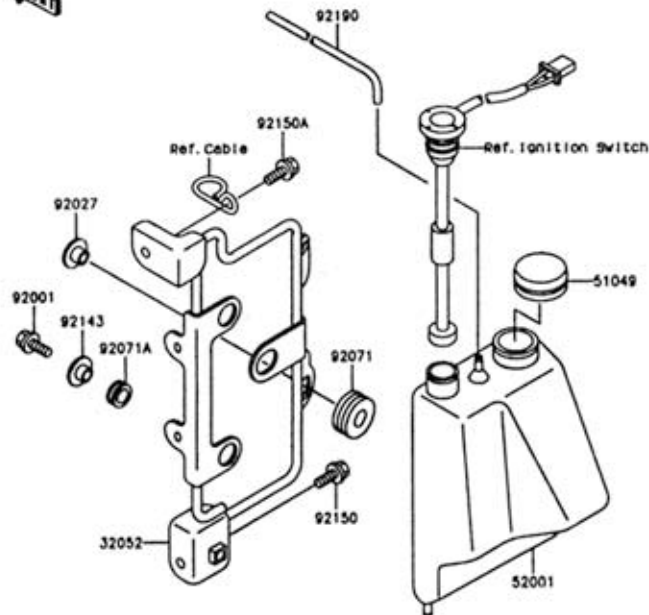
Ref. No.	Part No.	Description	Spec Code	Quantity-KDX125	
				'92	A3
92150	92150-1389	BOLT,5X20		4	
92150A	92150-1455	BOLT,FLANGED,8X30		4	
92170	92170-1255	CLAMP,BRAKE HOSE		1	
214	214C0518	SCREW-PAN + -		2	
220	220C0514	SCREW-PAN-CROS		2	
220A	220C0525	SCREW-PAN-CROS		2	
220B	220C0535	SCREW-PAN-CROS		2	
222	222E0412	SCREW-CSK-RD-CROS		2	
550	550D2020	PIN-COTTER,2.0X20		2	



Ref. No.	Part No.	Description	Spec Code	Quantity-KDX125	
				'92	A3
11012	11012-1761	CAP			2
13070	13070-1222	GUIDE_FORK,LH			1
13070A	13070-1223	GUIDE_FORK,RH			1
13070B	13070-1226	GUIDE_CABLE			1
32085	32085-1327	STOPPER			2
35011	35011-15-6	STAY			1
35011A	35011-1547	STAY			1
44001	44001-1829	FORK-FRONT			1
44008	44008-1010	PIPE-FORK OUTER			2
44013	44013-1329	PIPE-FORK INNER,LH			1
44013A	44013-1330	PIPE-FORK INNER,RH			1
44022	44022-1259	CYLINDER-FORK,LH			1
44022A	44022-1260	CYLINDER-FORK,RH			1
44028	44028-1472	SPRING-FRONT FORK			2
44028	44028-1076	GUIDE-FORK SPRING			2
44029	44029-1145	SEAT-FORK SPRING			2
44037	44037-1301	HOLDER-FORK UNDER			1
44039	44039-1228	HOLDER-FORK UPPER			1
44045	44045-051	GASKET_FORK CYLINDER BOLT			2
44065	44065-1100	BUSHING-FRONT FORK			2
55020	55020-1397	GUARD_FORK,LH			1
55020A	55020-1398	GUARD_FORK,RH			1
92015	92015-1224	NUT_FORK TOP			1
92015A	92015-1752	NUT_LOCK,FLANGED,5MM			1
92015B	92015-1832	NUT			2
92022	92022-1385	WASHER_FORK TOP			1
92026	92026-1276	SPACER_FORK OUTER			2
92028	92028-1614	BUSHING			2
92033	92033-1222	RING-SNAP_FORK OUTER			2
92049	92049-1370	SEAL-OIL_FORK OUTER TUBE			2
92055	92055-1485	RING-O			2
92072	92072-1271	BAND			1
92072A	92072-1276	BAND			1
92093	92093-1312	SEAL_FORK OUTER TUBE			2
92143	92143-1447	COLLAR			2
92150	92150-1270	BOLT_5X35			2
92150A	92150-1340	BOLT_6X14			5
92150B	92150-1432	BOLT			2
92150C	92150-1434	BOLT_FLANGED,5X40			2
92160	92160-1243	DAMPER			2

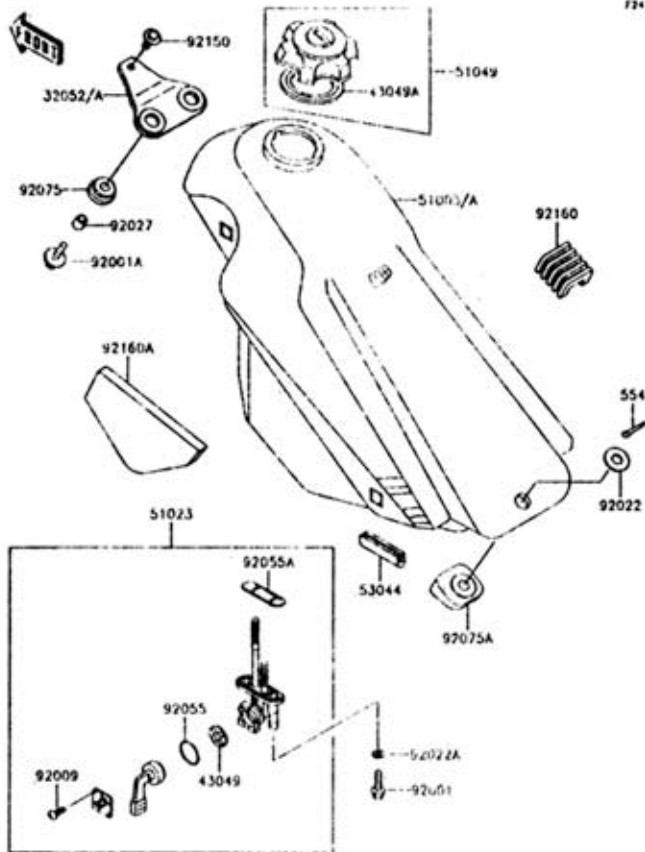


F2450



Ref. No.	Part No.	Description	Spec Code	Quantity-KDX125		
				'92		
	A3					
32052	32052-1305	BRACKET-TANK,OIL				1
51049	51049-1004	CAP-TANK,OIL				1
52001	52001-1080	TANK-OIL				1
92001	92001-1826	BOLT,6X20				3
92027	92027-1166	COLLAR				1
92071	92071-1043	GROMMET				1
92071A	92071-1115	GROMMET				3
92143	92143-1019	COLLAR,L=7,4				3
92150	92150-1435	BOLT,6X12				1
92150A	92150-1506	BOLT,FLANGED,6X16				1
92190	92190-1274	TUBE				1

72410



Ref. No.	Part No.	Description	Spec Code	Quantity-KDX125	
				'92	A3
32052	32052-1301-CC	BRACKET-TANK_FR,L.GREEN		1	
32052A	32052-1301-W1	BRACKET-TANK_FR,BLUE NO.1		1	
43049	43049-1017	PACKING,FUEL TAP LEVER		1	
43049A	43049-1072	PACKING,FUEL TANK CAP		1	
51003	51003-5419-7F	TANK-COMP-FUEL,L.GREEN		1	
51003A	51003-5422-DB	TANK-COMP-FUEL,BLUE 24		1	
51023	51023-1170	TAP-ASSY,FUEL		1	
51049	51049-1095	CAP-TANK,FUEL		1	
53044	53044-1200	TRIM,L=100		1	
92001	92001-1091	BOLT,6X20		2	
92001A	92001-1773	BOLT,6X20		2	
92009	92009-1123	SCREW,3X5		2	
92022	92022-1137	WASHER,10.5X24X1.6		1	
92022A	92022-183	WASHER,6.2X11X1.5		2	
92027	92027-1210	COLLAR,6.8X10X11.5		2	
92055	92055-1111	RING-O,FUEL TAP LEVER		1	
92055A	92055-1112	RING-O,FUEL TAP PACKING		1	
92075	92075-112	DAMPER		2	
92075A	92075-1831	DAMPER		1	
92150	92150-1340	BOLT,6X14		1	
92160	92160-1171	DAMPER,FUEL TANK		2	
92160A	92160-1258	DAMPER,FUEL TANK		1	
554	554A1000	PIN-SNAP,10MM		1	

This catalog covers:
'92 KDX125-A3 Chassis

GRID NO.

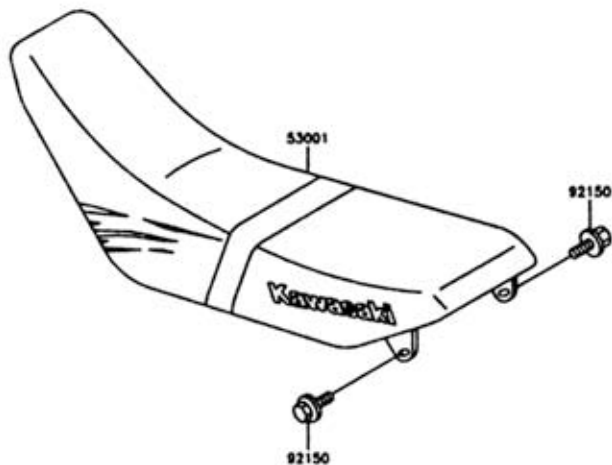
E-13

This grid covers:
Seat



F2818

Ref. No.	Part No.	Description	Spec Code	Quantity-KDX125	
				'92	A3
53001	53001-1674-MY	SEAT-ASSY,DUAL,W/BAND,BLUE		1	
92150	92150-1339	BOLT,6X20		2	



This catalog covers:
 '92 KDX125-A3 Chassis

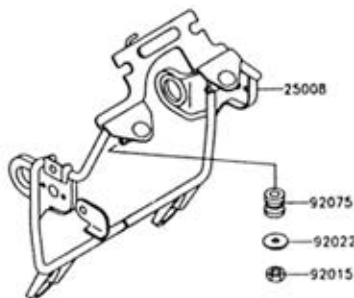
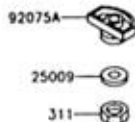
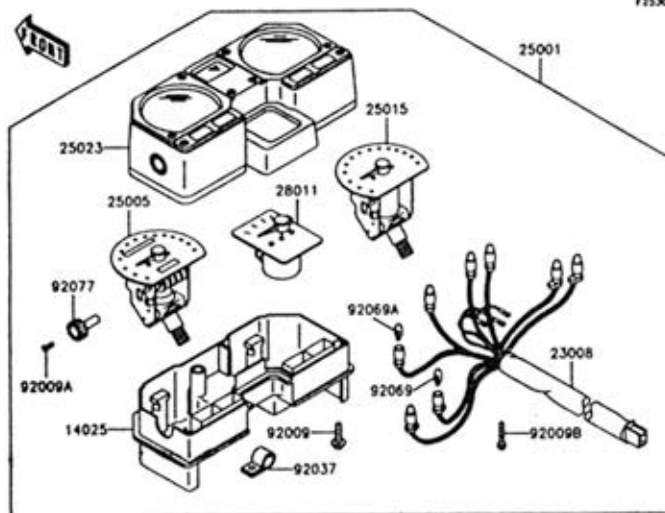
GRID NO.

E-14

This grid covers:

Meter

F1530



Ref. No.	Part No.	Description	Spec Code	Quantity-KDX125		
				'92	A3	
14025	14025-1817	COVER,METER CASE,LWR			1	
23008	23008-1496	SOCKET-ASSY,METER			1	
25001	25001-1881	METER-ASSY,KPH			1	
25005	25005-1513	SPEEDOMETER,KPH			1	
25008	25008-1189	BRACKET-METER			1	
25009	25009-004	WASHER,5.2X16X1.2			2	
25015	25015-1313	TACHOMETER,X1000R/MIN			1	
25023	25023-1143	COVER-METER CASE,UPP			1	
28011	28011-1125	METER,TEMP			1	
92009	92009-1158	SCREW,4X16,BLACK			4	
92009A	92009-1172	SCREW,2X6,BLACK			1	
92009B	92009-1293	SCREW,3X22			3	
92015	92015-1391	NUT,6MM			2	
92022	92022-125	WASHER,6.5X20X1.6			2	
92037	92037-1479	CLAMP,METER,SOCKET ASSY			1	
92069	92069-1007	BULB,12V 3.4W			4	
92069A	92069-1059	BULB,12V 1.7W			4	
92075	92075-024	DAMPER			2	
92075A	92075-1581	DAMPER,METER BRACKET			2	
92077	92077-1054	KNOB,METER			1	
311	311C0500	NUT-HEX				

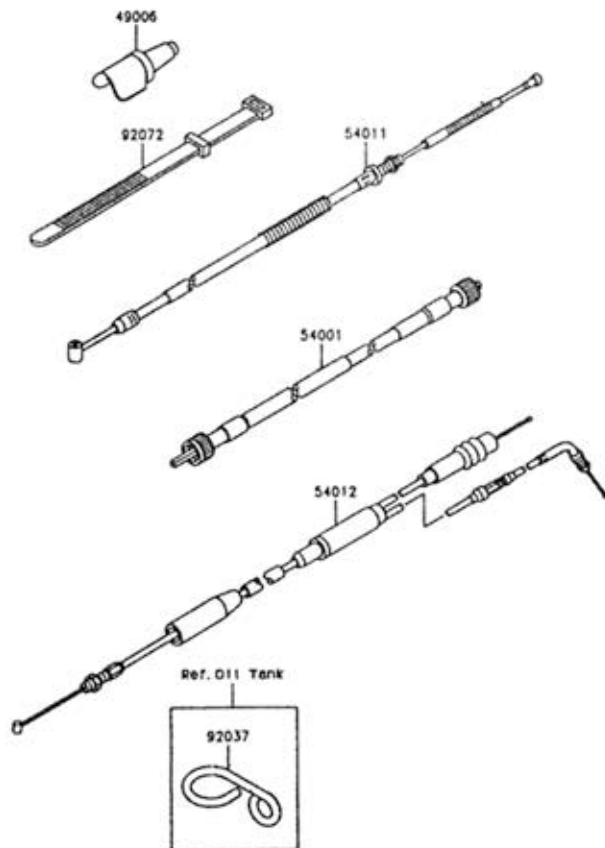
This catalog covers:
 '92 KDX125-A3 Chassis

GRID NO.

F-3

This grid covers:
Cable

F3540



Ref. No.	Part No.	Description	Spec Code	Quantity-KDX125			
				'92	'97		
49006	49006-1189	BOOT				1	
54001	54001-1167	CABLE-SPEEDOMETER				1	
	54001-1194	CABLE-SPEEDOMETER					1
54011	54011-1307	CABLE-CLUTCH				1	
54012	54012-1402	CABLE-THROTTLE				1	
92037	92037-1064	CLAMP,CABLE				1	
92072	92072-056	BAND,L = 186				2	

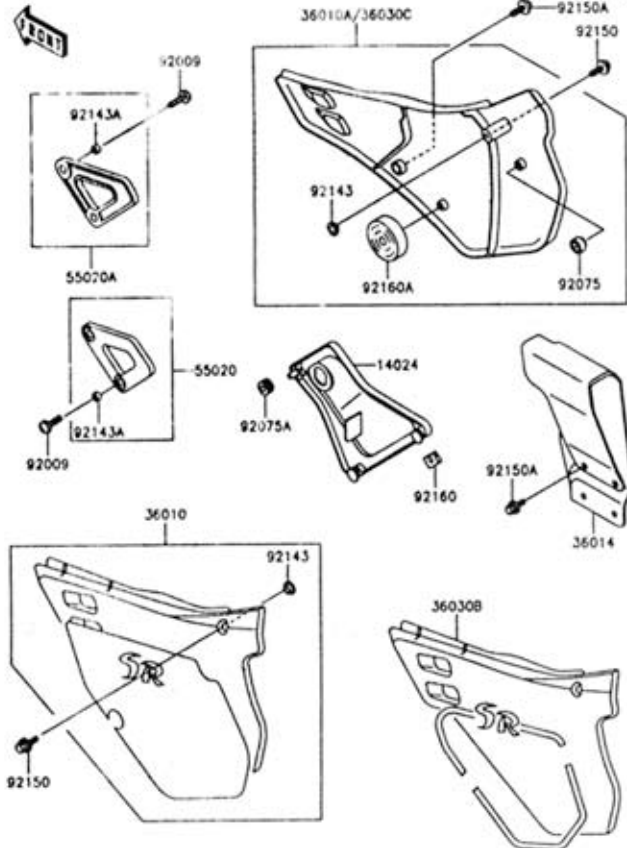
This catalog covers:
'92 KDX125-A3 Chassis

GRID NO.

F-4

This grid covers:
Side Cover/Chain Case

F2610



Ref. No.	Part No.	Description	Spec Code	Quantity-KDX125	
				'92	A3
14024	14024-1874	COVER,TOOL BOX			1
36010	36010-5382-6W	COVER-SIDE,LH,L.GREEN			1
36010A	36010-5383-6W	COVER-SIDE,RH,L.GREEN			1
36014	36014-1168	CASE-CHAIN			1
36030B	36030-5065-BV	COVER-SIDE,LH,BLUE 24			1
36030C	36030-5066-BV	COVER-SIDE,RH,BLUE 24			1
55020	55020-1366-6F	GUARD,LH,P.WHITE			1
55020A	55020-1367-6F	GUARD,RH,P.WHITE			1
92009	92009-1287	SCREW,6X14,WHITE			4
92075	92075-1598	DAMPER			1
92075A	92075-1986	DAMPER			1
92143	92143-1196	COLLAR			4
92143A	92143-1383	COLLAR,OIL			4
92150	92150-1339	BOLT,6X20			3
92150A	92150-1435	BOLT,6X12			3
92160	92160-1189	DAMPER,SIDE COVER			2
92160A	92160-1244	DAMPER			1

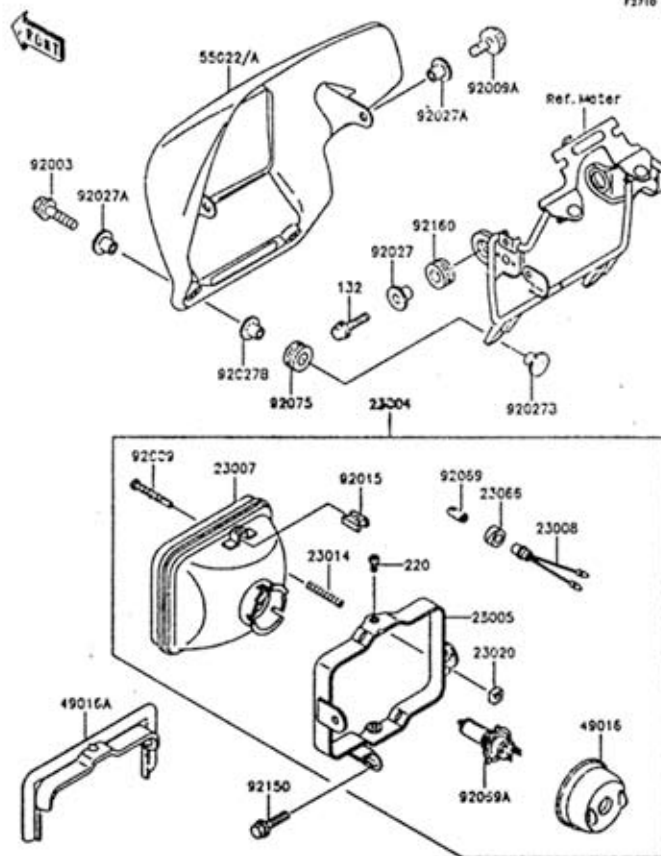
This catalog covers:
'92 KDX125-A3 Chassis

GRID NO.

F-5

This grid covers:
Head Lamp

F2710



Ref. No.	Part No.	Description	Spec Code	Quantity-KDX125	
				'92	A3
23004	23004-1323	LAMP-HEAD			1
23005	23005-1052	BODY-COMP-HEAD LAMP			1
23007	23007-1270	LENS-COMP-HEAD LAMP			1
23008	23008-038	SOCKET-ASSY,PARKING LAMP			1
23014	23014-005	SPRING,FOCUS ADJUSTING			1
23020	23020-018	NUT,4MM,FOCUS ADJUST			1
23066	23066-008	DAMPER,PARKING LAMP			1
49016	49016-1037	COVER-SEAL,SOCKET			1
49016A	49016-1101	COVER-SEAL,HEAD LAMP			1
55022	55022-5015-6W	COVER-HEAD LAMP			1
55022A	55022-5016-BV	COVER-HEAD LAMP,BLUE 24			1
92003	92003-202	BOLT,FLANGED,6X28			2
92009	92009-1065	SCREW,4MM			1
92009A	92009-1285	SCREW,6X10,WHITE			2
92015	92015-1354	NUT,5MM			2
92027	92027-1134	COLLAR,L = 14			2
92027A	92027-1168	COLLAR,L = 4,6			4
92027B	92027-1848	COLLAR,L = 7,4			4
92069	92069-071	BULB,12V 4W			1
92069A	92069-1002	BULB,12V 60/55W,H4			1
92075	92075-209	DAMPER			2
92150	92150-1340	BOLT,6X14			1
92160	92160-1907	DAMPER			2
132	132G0825	BOLT-FLANGED-SMALL			2
220	220B0508	SCREW-PAN-CROS,5X8			2

This catalog covers:
 '92 KDX125-A3 Chassis

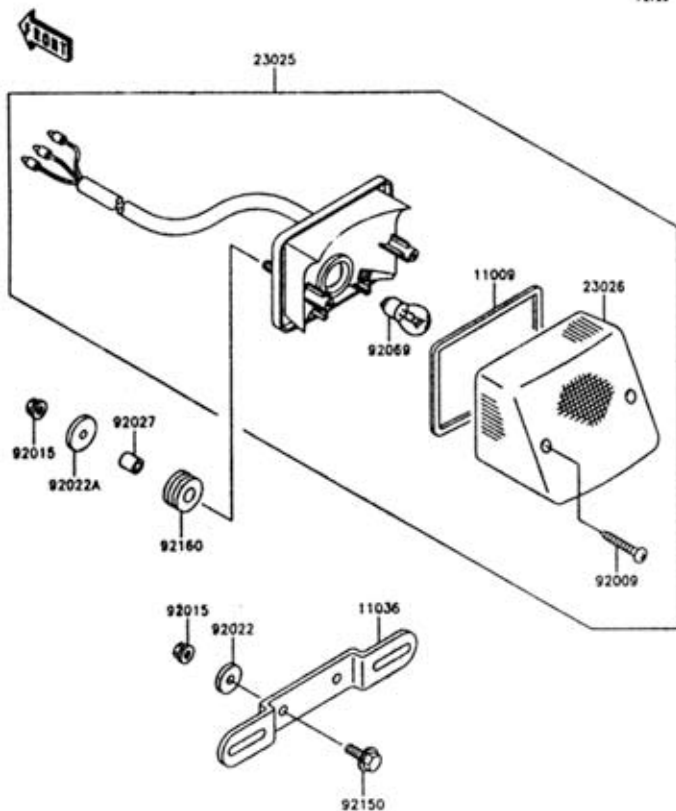
GRID NO.

F-6

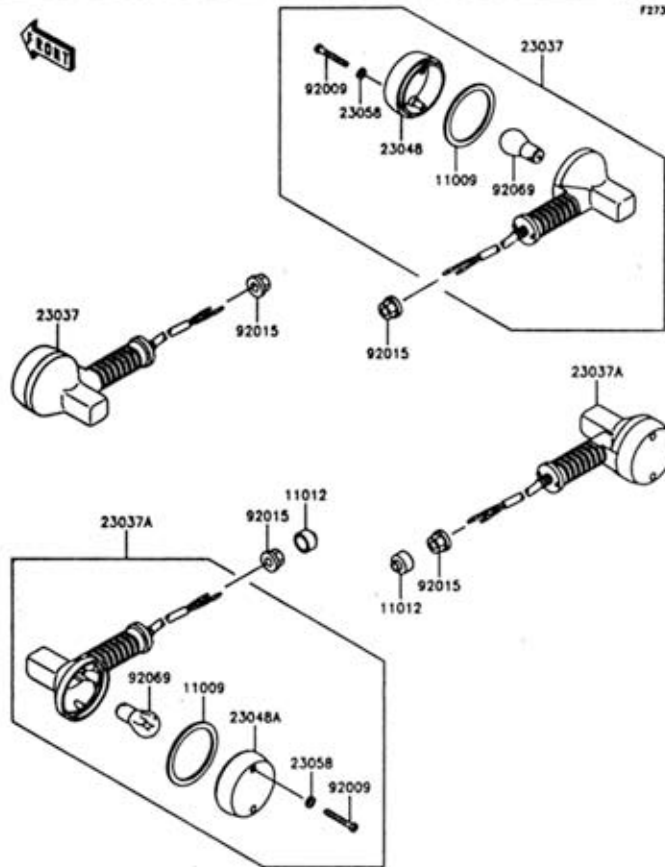
This grid covers:

Tail Lamp

r1720



Ref. No.	Part No.	Description	Spec Code	Quantity-KDX125		
				'92	A3	
11009	11009-1078	GASKET, TAIL LAMP LENS			1	
11036	11036-1040	BRACKET-A, LICENSE PLATE			1	
23025	23025-1198	LAMP-TAIL			1	
23026	23026-1113	LENS, TAIL LAMP			1	
92009	92009-1056	SCREW, TAPPING, 4X30			2	
92015	92015-1367	NUT, FLANGED, 6MM			4	
92022	92022-125	WASHER, 6.5X20X1.8			2	
92022A	92022-1690	WASHER, 6.5X24X2			2	
92027	92027-162	COLLAR, 6.8X10X12			2	
92069	92069-1084	BULB, 12V 21/5W			1	
92150	92150-1339	BOLT, 6X20			2	
92160	92160-1162	DAMPER			2	

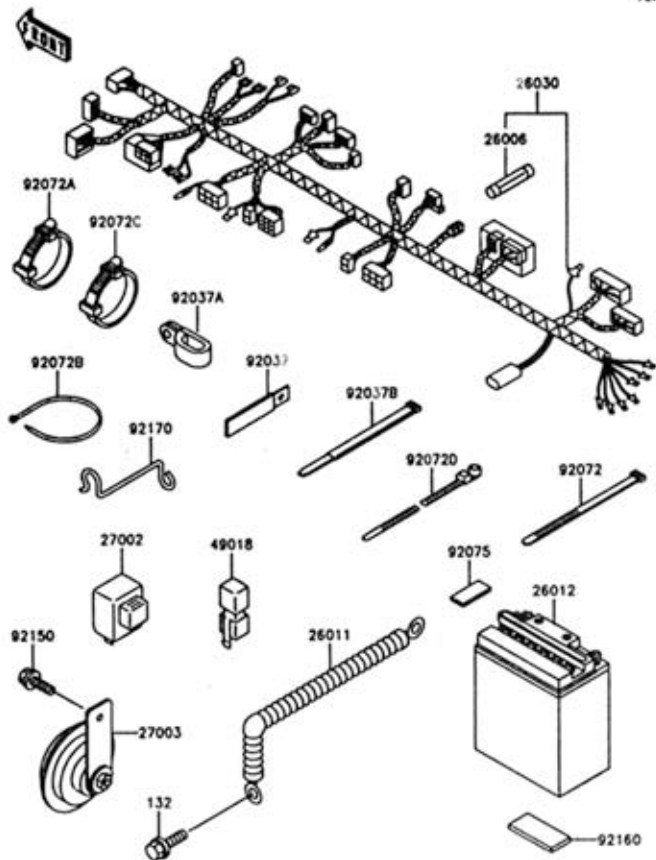


F2730

Ref. No.	Part No.	Description	Spec Code	Quantity-KDX125	
				'92	A3
11009	11009-1373	GASKET,SIGNAL LAMP			4
11012	11012-1367	CAP,SIGNAL LAMP			2
23037	23037-1203	LAMP-ASSY-SIGNAL_FR			2
23037A	23037-1269	LAMP-ASSY-SIGNAL_RR			2
23048	23048-1052	LENS-SIGNAL LAMP,"0770"			2
23048A	23048-1053	LENS-SIGNAL LAMP,"0771"			2
23058	23058-002	WASHER,PLAIN,4MM			8
92009	92009-1069	SCREW,TAPPING,4X25			8
92015	92015-1428	NUT,FLANGED,10MM			4
92069		BULB,12V 21W			4

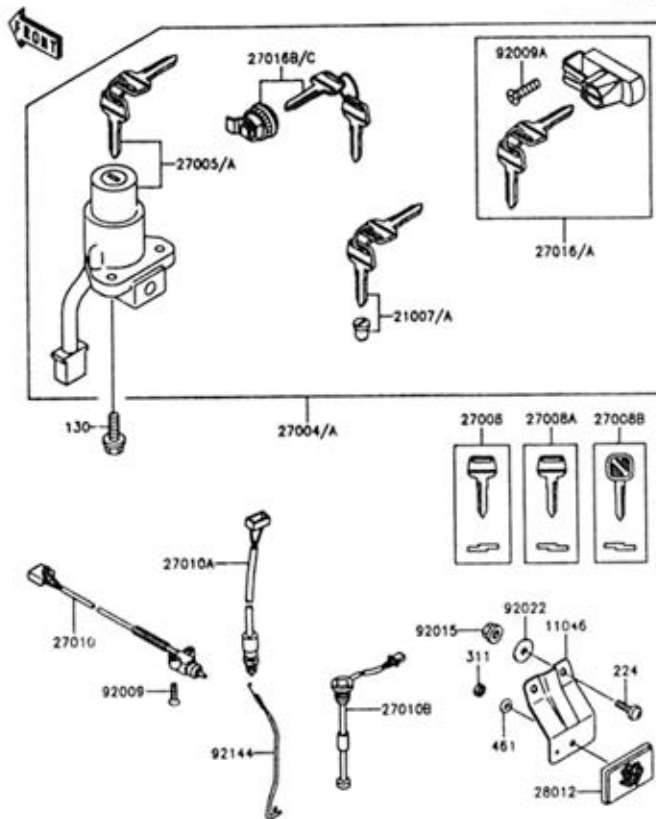
(LOCAL PROCUREMENT ITEM)

F3760

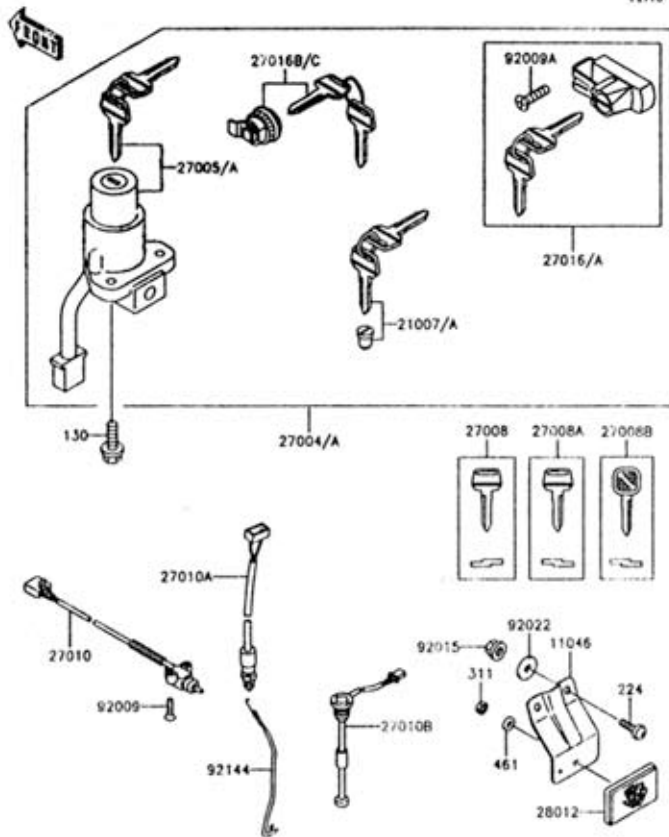


Ref. No.	Part No.	Description	Spec Code	Quantity-KDX125	
				'92	A3
26006	26006-1056	FUSE, 20A, L = 30		2	
26011	26011-1491	WIRE LEAD, RADIATOR		1	
26012	26012-1248	BATTERY, 12V 3AH, YB3L-A		1	
26030	26030-1122	HARNESS, MAIN		1	
27002	27002-1053	RELAY-ASSY, TURN SIGNAL		1	
27003	27003-1336	HORN		1	
49018	49018-1052	DIODE		1	
92037	92037-1069	CLAMP, WIRING HARNESS		1	
92037A	92037-1608	CLAMP		1	
92037B	92037-1817	CLAMP BAND, L = 137		1	
92072	92072-031	BAND, L = 149		3	
92072A	92072-056	BAND, L = 186		3	
92072B	92072-1195	BAND, L = 185		1	
92072C	92072-1237	BAND, L = 250		4	
92072D	92072-1288	BAND, L = 215		1	
92075	92075-1727	DAMPER		1	
92150	92150-1340	BOLT, 6X14		1	
92160	92160-1073	DAMPER		1	
92170	92170-1240	CLAMP		1	
132	132G0612	BOLT-FLANGED-SMALL		1	

F2770

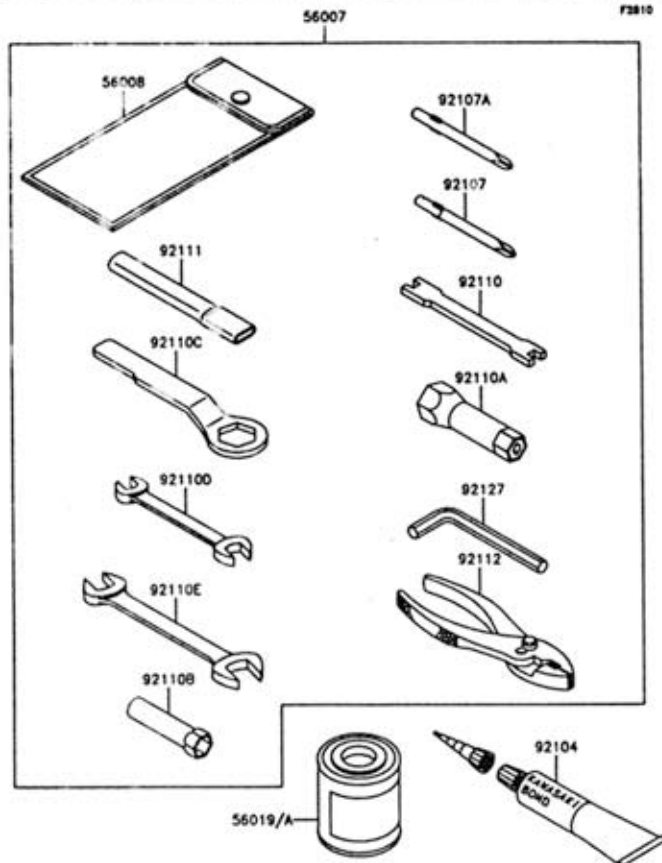


Ref. No.	Part No.	Description	Spec Code	Quantity-KDX125		
				'92	A3	
11046	11046-1285	BRACKET, REFLECTOR			1	
21007	21007-5022	ROTOR, LOCK, TANK CAP	EU		1	
21007A	21007-5023	ROTOR, LOCK, TANK CAP	NR		1	
27004	27004-5429	SWITCH-ASSY	EU		1	
27004A	27004-5430	SWITCH-ASSY	NR		1	
27005	27005-1164	SWITCH-ASSY-IGNITION	EU		1	
27005A	27005-1165	SWITCH-ASSY-IGNITION	NR		1	
27008	27008-1034	KEY-LOCK, BLANK, #A	EU		1	
27008A	(OPTION) 27008-1035	KEY-LOCK, BLANK, #B	EU		1	
27008B	(OPTION) 27008-1105	KEY LOCK, BLANK	NR		1	
27010	27010-1247	SWITCH, SIDE STAND			1	
27010A	27010-1301	SW. TCH, BRAKE LAMP			1	
27010B	27010-1303	SWITCH, OIL LEVEL			1	
27016	27016 5029	LOCK-ASSY HELMET	EU		1	
27016A	27016 5100	LOCK-ASSY, HELMET	NR		1	
27016B	27016-5192	LOCK-ASSY, TOOL BOX	EU		1	
27016C	27016-5193	LOCK-ASSY, TOOL BOX	NR		1	
28012	28012-1054	REFLECTOR-REFLEX, RR			1	
92009	92009 1359	SCREW, 5X20			2	
92009A	92009-1547	SCREW, 5X18			2	
92015	92015-1367	NUT, FLANGED, 6MM			2	
92022	92022-1557	WASHER, 6.5X20X1.6			2	
92144	92144 14,4	SPRING, BRAKE LAMP SWITCH			1	
130	130D0614	BOLT-FLANGED, 6X14			2	
224	224C0614	SCREW-PAN-WP-CROS			2	
311	311B0500	NUT-HEX			1	



F3770

Ref. No.	Part No.	Description	Spec Code	Quantity-KDX125		
				'92		
461	461F0500	WASHER-SPRING,5MM	A3			1



F3810

Ref. No.	Part No.	Description	Spec Code	Quantity-KDX125	
				'92	A3
56007	56007-1354	TOOL-KIT		1	
56008	56008-1019	BAG TOOL		1	
56019	56019-108-DB	PAINT, 1/12L, BLUE 24		1	
56019A	56019-108-7F	PAINT, 1/12L, L GREEN		1	
92104	92104-002	GASKET-LIQUID, TUBE, 100G, SILVER		1	
92107	92107-005	TOOL DRIVER #3PHILLIPS		1	
92107A	92107-1053	TOOL-DRIVER #2PHILLIPS		1	
92110	92110-1016	TOOL-WRENCH SPOKE		1	
92110A	92110-1113	TOOL-WRENCH BOX, 21MM		1	
92110B	92110-1139	TOOL-WRENCH BOX, 8MM		1	
92110C	92110-1150	TOOL-WRENCH, BOX END, 24MM		1	
92110D	92110-1152	TOOL-WRENCH, OPEN END, 10X12		1	
92110E	92110-1153	TOOL-WRENCH, OPEN END, 14X17		1	
92111	92111-1051	TOOL-BAR, BOX END WRENCH		1	
92112	92112-003	TOOL-PLIERS		1	
92127	92127-003	TOOL-WRENCH, ALLEN, 6MM		1	

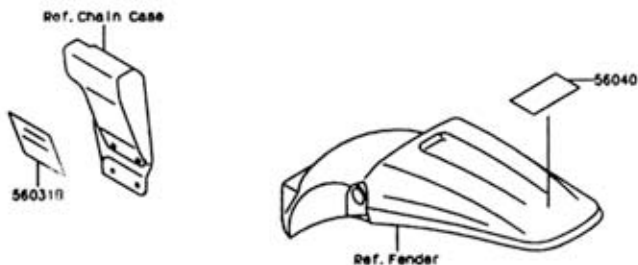
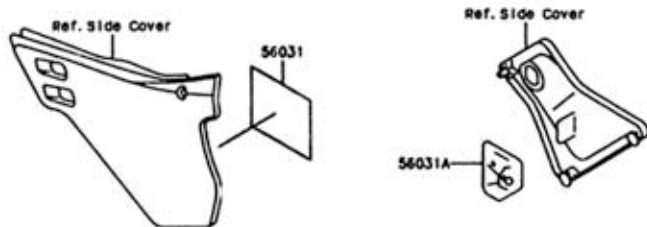
This catalog covers:
 '92 KDX125-A3 Chassis

GRID NO. **F-12** This grid covers:
 Label

7390



Ref. No.	Part No.	Description	Spec Code	Quantity-KDX125			
				'92	A3		
56031	56031-1710	LABEL-MANUAL,DAILY SAFETY		1			
56031A	56031-1711	LABEL-MANUAL,BATTERY VENT		1			
56031B	56031-1712	LABEL-MANUAL,CHAIN		1			
56040	56040-1314	LABEL-WARNING,MAXIMUM LOAD		1			



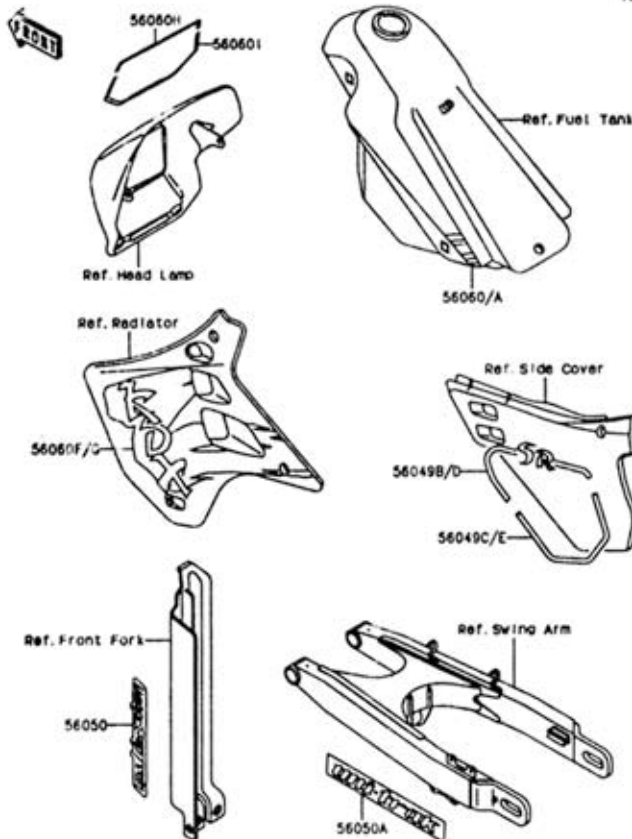
This catalog covers:
'92 KDX125-A3 Chassis

GRID NO.

F-13

This grid covers:

Decal(Blue)



F281

Ref. No	Part No.	Description	Spec Code	Quantity-KDX125		
				'92	A3	
56050	56050-1565	MARK,FRONT FORK GUARD		2		
56050A	56050-1669	MARK SWING ARM,UNI-TRAK		2		
56060	56060-1104	PATTERN,FUEL TANK,LH		1		
56060A	56060-1105	PATTERN,FUEL TANK,RH		1		
56060B	56060-1106	PATTERN,SIDE COVER,LH,UPP		1		
56060C	56060-1107	PATTERN SIDE COVER,LH,LWR		1		
56060D	56060-1108	PATTERN SIDE COVER,RH,UPP		1		
56060E	56060-1109	PATTERN SIDE COVER,RH,LWR		1		
56060F	56060-1110	PATTERN,SHROUD,LH		1		
56060G	56060-1111	PATTERN,SHROUD,RH		1		
56060H	56060-1112	PATTERN,HEAD LAMP COVER,UPP		1		
56060I	56060-1113	PATTERN,HEAD LAMP COVER,LWR		1		

This cutting covers:
 '92 KUBOTA A3 Chassis

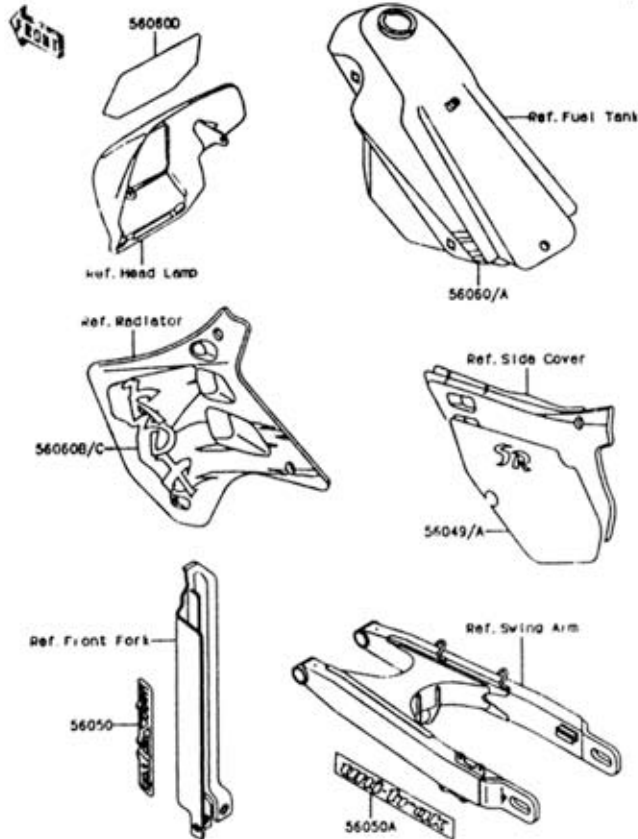
GRID NO.

F-14

This grid covers:

Decal(Green)

F2M1A



Ref. No.	Part No.	Description	Spec Code	Quantity-KDX125	
				'92	A3
56049	56049-1622	PATTERN,SIDE COVER,LH			1
56049A	56049-1623	PATTERN,SIDE COVER,RH			1
56050	56050-1565	MARK,FRONT FORK GUARD			2
56050A	56050-1669	MARK,SWING ARM,UNI-TRAK			2
56060	56060-1099	PATTERN,FUEL TANK,LH			1
56060A	56060-1100	PATTERN,FUEL TANK,RH			1
56060B	56060-1101	PATTERN,SHROUD,LH			1
56060C	56060-1102	PATTERN,SHROUD,RH			1
56060D	56060-1103	PATTERN,HEAD LAMP COVER			1

Air Filter.....	B-4
Brake Pedal.....	D-13
Cable.....	F-3
Carburetor.....	C-3/C-4
Chain Case.....	F-4
Change Drum.....	B-10
Clutch.....	B-8
Crankcase.....	B-12
Crankshaft.....	B-6
Cylinder.....	B-3
Cylinder Head.....	B-3
Decal(Blue).....	-13
Decal(Green).....	F-14
Electrical Equipmen.....	F-8
Engine Cover.....	B-13/B-4
Endcap.....	D-8
Frame.....	D-3
Frame Fitting.....	D-4
Front Caliper.....	E-4
Front Fork.....	E-10/E-9
Front Hub.....	D-11
Front Master Cylinder.....	E-3
Fuel Tank.....	E-11
Gear Change Mechanism.....	B-11
Generator.....	C-6
Handlebar.....	E-7/E-8
Head Lamp.....	F-5

Ignition Coil.....	C-7
Ignition Switch.....	F-10/F-9
Kickstarter Mechanism.....	B-7
Label.....	F-12
Meter.....	E-14
Muffler.....	B-5
Oil Pump.....	C-5
Oil Tank.....	E-12
Piston.....	B-6
Radiator.....	C-8
Rear Caliper.....	E-6
Rear Hub.....	D-12
Rear Master Cylinder.....	E-5
Seal.....	E-13
Shift Fork.....	B-10
Shock Absorber.....	D-14
Side Cover.....	F-4
Stand.....	D-9
Step.....	D-7
Suspension.....	D-6
Swing Arm.....	D-5
Tail Lamp.....	F-6
Tire.....	D-10
Tool.....	F-11
Transmission.....	B-9
Turn Signal.....	F-7

Part No.	Grid No.	Part No.	Grid No.	Part No.	Grid No.	Part No.	Grid No.	Part No.	Grid No.	Part No.	Grid No.
11001-14	B-3	1303 1 46	B-6	13 56-126	B-11	14069-003	B-12	222E0412	E-8	31 B 500	F-8
1004 20	B-3	3 30-1056	B-6	3159 1056	E-5	14073 1 16	B-4	223B0514	C-7	31 C 500	E-14
1 5-16 4	B-3	1 034 070-B4	B-6	3 11	B-11	14075-1084	B-4	223C0416	C-4	31 0600	B-11
1009-10 8	F-6	130 5-1010-01	B-6	1116 1034	B-11	14079-1069	E-7	224B0618	B-4	320 548	D-4
1 009-1145	C-8	1 37 1385	B-6	13 66-3 1	B-13	4079-1070	E-6	224C0614	F-9	3203 549	D-4
1009-296	C-5	3007-399	B-6	3 9 541	B-9	15001-1569	C-3	23004-1323	F-5	3205 30 -CC	E-11
1 009-373	F-7	406 331	B-7	13 83 1 59	B-13	23005-1673	C-3	23005-1673	F-5	320 130-WI	E-11
1009 184	B-13	3064 1151	B-7	3 83 066	B-10	16002-1057	C-3	23007-1270	F-5	320 305	E-12
009 1934	B-3	3066-074	B-7	13 83 162	C-3	16004-1068	C-3	23008-0368	F-5	32085-1315	E-8
1009 1935	B-13	3 70-1007	B-7	318 1250	C-3	6009-1634	C-3	23008-1496	E-14	328 1327	E-9
1009-1936	B-13	130 0-1074	E-7	132G0608	F-8	16009-1639	B-9	23014-005	F-5	2099-1038	E-7
1009-1937	C-5	3 0 1183	E-4	132G0612	F-8	16014-1033	C-3	23020-018	F-5	2099-1044	E-7
1009-1938	B-3	13 0-1208	B-3	132G0614	C-6	16016-1028	C-3	23025-1194	F-6	360-1230-CC	D-3
1 009-1939	B-13	130 0-1222	E-9	32G0614	C-7	16021-1142	C-3	23026-1113	F-6	32 60-1230 W	D-3
1009-1940	B-3	1 070-1223	E-9	13 06616	B-7	16025-1143	C-3	23027-1203	F-7	360-1232-CC	D-3
1009-1941	B-3	13070-1226	E-9	132G0616	E-3	16030-1064	C-3	23027-1269	F-7	3 160 1232 WI	D-3
1009-1942	B-13	3078-1052	B-7	132G0620	C-4	16031-1065	C-3	23048-1052	F-7	3300 1387-CE	D-5
1009-1992	B-5	13066-1056	B-8	132G0625	B-14	16049-1051	C-3	23048-1053	F-7	33032 1156	D-5
11012 1064	C-8	13067-1128	B-8	132G0625	B-3	16065-1182	C-3	23058-002	F-7	33040-1113	D-5
11012 1367	F-7	13068-1058	B-8	132G0625	C-8	16065-1209	C-3	23066-006	F-5	003 1335-CC	D-7
11012 1581	2	13068-1081	B-8	132G0625	E-4	16073-1085	B-5	25001-1881	E-14	34003 1335-WI	D-7
11012-1781	E-9	13069-1070	B-8	132G0630	B-14	16082-1107	C-5	25005-1513	E-14	34003-1336-CC	D-7
11013-1186	4	13091-1134	B-8	132G0640	B-14	16087-1101	C-5	25008-1189	E-14	34003-1336-WI	D-7
1 029-1003	B-4	13091-1683	B-8	132G0645	B-14	16115-018	B-13	25009-004	E-14	34034-1267	D-9
1036-1040	F-6	13091-1 18	E-7	132G0645	D-5	16142-1106	B-13	25015-1213	E-14	34028-009	D-7
1036-1297	E-7	13095-1218	B-8	132G0650	B-12	172G0612	B-11	25022-1145	E-14	34028-1302	D-7
1036-1081	B-4	13097 1256	B-6	132G0660	B-2	172G0622	B-3	26006-1056	F-8	34 28-1303	D-7
1046-285	F-9	131G0650	E-10	132G0665	B-5	18002-1938	B-5	26011-1481	F-8	35004-1262-BV	D-8
11047-046	B-4	131G 1045	E-10	132G0625	F-14	18090-1149	B-5	26012-1248	F-8	35004-1262-4W	D-8
11060 1163	E	13107-1270	B-13	13206-1061	B-7	184B0612	E-4	26030-1122	F-8	35004-1279-BV	D-8
112G0520	B-8	13114 1064	B-8	13236-1146	B-11	187C0616	C-7	27002-1063	F-8	35004-1279-4W	D-8
120 0635	4	13127 1197	B-9	13236-1190	B-13	21003-1224	C-6	27003-1336	C-6	35011-1539	C-3
120C0608	B-9	13128-1134	B-9	13236-1195	B-8	21007-1220	C-6	27004-5429	F-9	35011-1546	E-9
12005 1180	D-3	13129-1569	B-9	14001 5282	B-12	21007-5022	F-9	27004-5430	F-9	35011-1547	E-9
12005-118	B-3	13129-1786	B-9	14014 1066	B-10	21007-5023	F-9	27005-1164	F-9	35011-1606-CC	D-4
12121-06	B-3	13129-1789	B-9	14024 1565	B-3	21066-1039	C-6	27005-1165	F-9	35011-1606-WI	D-4
12022 1063	B-3	13129-1790	B-9	14024-1786	B-3	21119-1335	C-7	27006-1034	F-9	35019-1002	D-8
12053 1104	D-5	13129-1791	B-9	14024-1861-6F	E-4	21121-1147	C-7	27006-1035	F-9	35019-1264	D-8
12053 1270	B-13	13129-1792	B-9	14024-1874	F-4	21130-1062	C-7	27006-1105	F-9	35019-1274	D-8
12053 1293	D-5	13129-1793	B-9	14024-1910	C-5	214C0516	E-8	27010-1170	E-3	35019-1276	D-8
130G06 4	F-9	13129-1795	B-9	14025-1646	E-7	220B0006	B-14	27010-1247	F-9	35019-1278	D-8
130G1520	B-3	14025-1796	B-9	14025-1817	E-14	220B0506	E-10	27010-1301	F-9	35022-1266-BV	D-8
130C0525	B-3	13129 1925	B-9	14026 1159	B-3	220B0508	F-5	27010-1303	F-9	35022-1266-6W	D-8
130 0612	B-4	13140-1150	B-9	14031 1246	B-13	220B0516	C-5	27016 5029	F-9	36010-5382-4W	F-4
130G0840	D-4	13140 1151	B-10	14032 1285	B-13	220B0530	C-6	27016-5100	F-9	36010-5383-6W	F-4
130G0855	D-7	13140 1152	B-10	14032-1285	B-13	220C0134	E-8	27016-5192	F-9	360 4 196	F-4
1300 110	B-1	3 41 1107	B-10	14 3 099	B-10	220C0525	F-9	27016-5193	F-9	3603 65-BV	F-4
13007 1096	B-6	13144 1177	B-10	14037-1099-6W	C-8	220C0535	C-6	28011-1125	E-14	36030-5066-BV	F-4
13008 1126	B-6	13145 1059	B-10	14 37 111	C-8	22180610	D-7	28012-1054	F-9	39007 1185	D-6
13031 1304	D-4	13151 1007	B-10	14912-112	W	221806 6		290C0608	B-7	906 1 18C	C-8

Part No.	Grid No.	Part No.	Grid No.	Part No.	Grid No.	Part No.	Grid No.	Part No.	Grid No.	Part No.	Grid No.
39062-1315	C-8	43028-1067	E-5	46092-1140	E-3	53001-1874-MY	E-13	56060-1109	F-13	92002-1880	E-7
39062-1334	C-8	43034-1018	E-3	46092-1159	E-7	53029-1134	D-8	56060-1110	F-13	92002-1886	E-3
39062-1373	C-8	43041-1430	E-6	46098-018	D-3	53044-1200	E-11	56060-1111	F-13	92002-1888	E-5
39115-1074	C-5	43041-1446	E-4	46107-050	F-10	54001-1187	F-3	56060-1112	F-13	92002-1894	E-3
39129-1003	B-13	43044-1092	D-12	46102-1278	F-4	54011-1307	F-3	56060-1113	F-13	92003-157	D-9
41080600	D-12	43044-1097	E-4	46115000	B-7	54012-1402	F-3	59003-2079	C-7	92003-202	F-5
41002-1785	D-10	43049-1018	E-4	461J1600	B-7	55002015	D-7	59051-1190	B-3	92004-1008	B-12
41002-1786	D-10	43049-1017	E-11	461J3500	D-11	55002015	E-5	59051-1225	B-13	92004-1009	B-3
41022-1144	D-10	43049-1060	E-6	462J0100	B-14	55002016	D-7	59051-1226	C-5	92004-1142	B-12
		43049-1061	E-6	462J4000	B-3	55002020	E-8	59051-1227	C-5	92005-1146	C-5
41022-1145	D-10	43049-1072	E-11	462L0100	B-7	55003025	D-11	59051-1228	B-7	92005-1205	B-3
41023-1009	D-10	43056-1054	E-4	49002-1083	B-3	55003025	D-12	59051-1229	B-7	92009-1014	B-3
41023-1086	D-10	43056-1055	E-6	49006-1040	E-3	55020-1323-6F	E-6	59051-1234	B-13	92009-1056	F-6
41024-011	D-10	43057-003	E-4	49006-1053	E-4	55020-1366-6F	F-4	59101-1110	E-7	92009-1065	F-5
41025-1248	D-10	43057-1001	E-6	49006-1054	E-4	55020-1367-6F	F-4	59256-1063	B-13	92009-1069	F-7
41025-1247	D-10	43058-1870	E-3	49006-1055	E-4	55020-1381	E-5	59441-1089-BV	E-7	92009-1123	E-11
41029-1189	D-10	43058-1890	E-3	49006-1058	E-6	55020-1397	E-9	59441-1089-6W	E-7	92009-1154	B-13
41029-1206	D-10	43059-1715	E-5	49006-1067	E-7	55022-5015-6W	F-5	59441-1090-BV	E-7	92009-1156	E-14
41032-1061	D-10	43064-007	E-5	49006-1189	F-3	55022-5016-BV	F-5	600A0600	D-3	92009-1172	E-14
41034-1216	D-12	43067-001	E-3	49006-1228	B-13					92009-1266	F-5
41034-1218	D-11	43067-001	E-5	49006-1242	E-6	551A0306	B-10	600A0900	B-7	92009-1267	D-8
41060-1101	D-11	43078-1118	C-8	49016-1037	F-5	554A1000	E-11	600A1200	B-14	92009-1287	D-8
41060-1102	D-11	43078-1122	E-5	49016-1044	E-3	555A0312	C-5	601A5003	B-10	92009-1287	E-5
41063-001	D-11	43082-1079	E-4	49016-1101	F-5	56001-1285	E-7	601B6201U	B-14	92009-1287	F-4
41064-1051	D-11	43082-1090	E-6	49018-1052	F-8	56001-1286	E-7	601B6202	B-12	92009-1288	D-5
41068-1309	D-11	44001-1829	E-9	49046-1068	D-3	56007-1354	F-11	601B6202UG	B-11	92009-1293	E-14
41068-1330	D-12	44008-1010	E-9	49047-1066	B-10	56008-1019	F-11	601B6204	B-12	92009-1332	B-4
41078-1080	D-11	44015-1329	E-9	49054-1063	B-3	56019-108-0B	F-11	601B6304	B-12	92009-1350	F-9
41080-1266	E-4	44015-1330	E-9	49063-1002	D-13	56019-108-7F	F-11	610A0406	B-14	92009-1360	B-10
41080-1291	E-6	44022-1259	E-9	49085-1003	C-8	56030-1110	D-4	610A0408	B-14	92009-1456	E-3
41082-001	D-11	44022-1260	E-9	49085-1058	C-8	56031-1710	F-12	610A0612	B-14	92009-1491	C-5
41108000	E-10	44026-1472	E-9	49089-5141-6W	C-8	56031-1711	F-12	670B1502	B-14	92009-1502	B-3
411B1000	D-4	44028-1078	E-9	49089-5142-6W	C-8	56031-1712	F-12	670B1507	C-5	92009-1547	F-9
42036-1245	D-6	44029-1145	E-9	49089-5145-BV	C-8	56040-1314	F-12	92001-1034	D-13	92009-1596	E-5
42036-1246	D-6	44037-1301	E-9	49089-5146-BV	C-8	56049-1622	F-14	92001-1034	E-7	92009-1618	B-5
42036-1248	D-6	44039-1228	E-9	49106-1121	B-5	56049-1622	F-14	92001-1091	E-11	92015-072	B-8
42036-1263	D-5	44045-051	E-9	49111-1054	B-13	60050-1565	F-13	92001-1455	B-11	92015-1078	B-13
42041-1350	D-12	44065-1100	E-9	49114-1058	B-13	60050-1565	F-14	92001-1773	E-11	92015-1078	B-5
43001-1300	D-13	45014-1467	D-14	49114-1070	B-13	60050-1669	F-13	92001-1826	E-12	92015-1078	C-5
43010-1068	E-5	46003-1336-CE	E-7	510A3200	B-10	60050-1669	F-14	92001-1986	D-6	92015-1124	D-12
43015-1478	E-3	46003-1338-W1	E-7	510A3200	B-6	56060-1099	F-14	92002-1135	D-8	92015-1143	B-3
43015-1515	E-5	46012-1191	E-7	510A3100	D-6	56060-1100	F-14	92002-1323	E-3	92015-1143	D-4
43020-1068	E-6	46012-1211	E-7	510C3-5419-7F	E-11	56060-1101	F-14	92002-1329	B-11	92015-1143	D-8
43020-1091	E-4	46019-1054	E-7	510C3-5422-DB	E-11	56060-1102	F-14	92002-1387	D-12	92015-1153	D-8
43020-1094	E-5	46055-009	E-7	51023-1170	E-11	56060-1103	F-14	92002-1403	B-13	92015-1153	E-4
43020-1098	E-3	46056-006	E-7	51049-1004	E-12	56060-1104	F-13	92002-1417	B-5	92015-1156	B-6
43022-1010	E-3	46075-1024	E-7	51049-1095	E-11	56060-1105	F-13	92002-1442	E-6	92015-1183	B-5
43026-1074	E-3	46076-1167	E-7	52001-1080	E-12	56060-1106	F-13	92002-1491	D-4	92015-1191	E-7
43026-1075	E-5	46091-1550	E-7	52005-1055	B-13	56060-1107	F-13	92002-1675	D-6	92015-1224	E-9
43028-1061	E-3	46091-1551	E-7	52014-1072	B-13	56060-1108	F-13	92002-1879	E-3	92015-1233	E-3

This catalog covers:
 '92 KDX125-A3

GRID NO.

L-15

This grid covers:
 Numerical Parts Index

Part No.	Grid No.	Part No.	Grid No.	Part No.	Grid No.	Part No.	Grid No.	Part No.	Grid No.	Part No.	Grid No.
92015-1354	F-5	92022-315	B-7	92037-1712	B-5	92055-1167	C-3	92075-1497	D-14	92143-1402	D-12
92015-1367	F-6	92022-318	B-7	92037-1712	C-8	92055-1251	E-5	92075-1501	E-14	92143-1447	E-9
92015-1367	F-9	92026-1136	B-6	92037-1817	F-8	92055-1258	B-14	92075-1508	F-4	92143-1452	D-11
92015-1391	E-14	92026-1217	B-11	92037-1991	C-3	92055-1343	B-14	92075-1690	D-8	92143-1453	D-11
92015-1407	D-11	92026-1238	B-13	92037-1993	B-4	92055-1389	C-3	92075-1727	F-8	92143-1467	D-7
92015-1407	D-5	92026-1276	E-9	92042-007	B-12	92055-1390	C-3	92075-1778	E-7	92144-1017	D-9
92015-1428	F-7	92026-1361	C-6	92043-1039	E-5	92055-1399	B-3	92075-1831	E-11	92144-1177	C-4
92015-1429	D-4	92027-1134	F-5	92043-1129	B-13	92055-1485	E-9	92075-1895	B-14	92144-1287	B-8
92015-1429	D-8	92027-1166	E-12	92043-1207	C-3	92057-1331	D-12	92075-1986	F-4	92144-1364	E-6
92015-1433	D-6	92027-1168	F-5	92043-1217	D-7	92058-1058	D-12	92075-209	C-8	92144-1474	F-9
92015-1487	C-8	92027-1183	D-8	92043-1256	B-13	92059-1295	C-3	92075-209	F-5	92144-1632	D-13
92015-1502	B-7	92027-1210	E-11	92043-1263	B-12	92059-1644	C-3	92078-020	D-3	92150-1111	D-7
92015-1572	B-13	92027-162	F-6	92043-1293	B-13	92059-1666	B-12	92077-1054	E-14	92150-1174	D-4
92015-1603	E-7	92027-1670	D-4	92043-1319	B-13	92059-1941	C-3	92081-020	B-7	92150-1213	D-8
92015-1674	C-3	92027-1839	B-13	92043-1416	E-6	92060-013	C-5	92081-122	B-7	92150-1270	E-9
92015-1724	D-12	92027-1848	F-5	92043-1464	D-7	92063-1334	C-3	92081-1341	E-4	92150-1337	D-6
92015-1752	E-9	92027-1936	D-8	92045-1169	B-12	92063-1353	C-3	92081-1535	C-4	92150-1339	C-8
92015-1759	D-3	92027-1994	C-8	92045-1209	B-12	92063-1355	C-4	92081-1606	D-7	92150-1339	E-8
92015-1772	C-3	92027-1959	D-11	92045-1212	B-12	92063-1356	C-4	92081-1607	D-7	92150-1339	E-13
92015-1832	E-9	92028-1066	D-11	92045-1212	B-13	92063-1357	C-4	92081-1637	B-8	92150-1339	F-4
92019-008	D-8	92028-1388	B-8	92045-1236	B-8	92063-1358	C-4	92081-1750	B-11	92150-1339	F-6
92019-021	D-9	92028-1589	C-5	92045-1239	D-12	92064-1139	C-4	92081-1768	B-7	92150-1340	C-8
92019-021	E-7	92028-1814	E-9	92045-1277	B-12	92064-1141	C-4	92081-1829	B-11	92150-1340	D-8
92022-024	D-8	92033-1041	D-12	92046-1110	D-5	92065-058	B-10	92081-1993	B-11	92150-1340	E-11
92022-1028	E-5	92033-1186	E-5	92046-1162	D-6	92065-058	B-12	92090-022	D-3	92150-1340	E-9
92022-1033	B-9	92033-1214	B-9	92046-1176	B-14	92066-1118	C-8	92090-1012	B-5	92150-1340	F-5
92022-105	E-7	92033-1215	B-9	92046-1192	D-6	92066-1241	B-12	92090-1312	E-9	92150-1340	F-8
92022-1068	E-7	92033-1222	E-9	92047-014	D-3	92066-1344	B-4	92104-002	F-11	92150-1359	D-4
92022-1137	E-11	92033-1242	B-6	92048-009	D-3	92069-071	F-5	92107-005	F-11	92150-1389	E-8
92022-125	D-8	92036-018	C-3	92049-002	B-14	92069-1002	F-5	92107-1053	F-11	92150-1423	E-4
92022-125	E-14	92037-1064	F-3	92049-1109	D-5	92069-1007	E-14	92110-1016	F-11	92150-1423	E-6
92022-125	F-6	92037-1069	F-8	92049-1162	D-3	92069-1059	E-14	92110-1113	F-11	92150-1432	E-9
92022-1290	B-8	92037-1129	B-5	92049-1172	D-11	92069-1084	F-6	92110-1139	F-11	92150-1434	E-9
92022-1356	B-9	92037-1260	C-5	92049-1176	D-11	92070-1157	C-7	92110-1150	F-11	92150-1435	B-5
92022-1369	C-5	92037-1318	B-12	92049-1187	B-12	92070-2078	C-7	92110-1152	F-11	92150-1435	C-8
92022-1395	E-9	92049-1206	C-3	92049-1203	D-3	92071-1043	E-12	92110-1153	F-11	92150-1435	E-12
92022-1475	C-5	92037-1401	C-3	92049-1206	B-3	92071-1115	E-12	92111-1051	F-11	92150-1435	F-4
92022-1557	F-9	92037-147	C-3	92049-1207	B-14	92071-1210	D-8	92112-003	F-11	92150-1455	E-8
92022-1561	D-4	92037-1479	E-14	92049-1254	D-6	92072-031	F-8	92116-1009	D-3	92150-1504	C-8
92022-1601	E-5	92037-1486	B-4	92049-1257	B-12	92072-056	F-3	92122-1153	D-4	92150-1506	E-12
92022-1690	F-6	92037-1527	C-3	92049-1259	B-14	92072-056	F-8	92127-003	F-11	92150-1506	E-8
92022-1792	B-10	92037-1529	E-7	92049-1262	B-14	92072-071	B-4	92143-1019	E-12	92150-1507	E-5
92022-1827	B-11	92037-1589	C-8	92049-1301	B-12	92072-1195	F-8	92143-1056	B-3	92160-1007	F-5
92022-1829	D-7	92037-1601	C-5	92049-1330	D-6	92072-1237	F-8	92143-1147	B-3	92160-1073	D-4
92022-183	E-11	92037-1603	C-8	92049-1370	E-9	92072-1271	E-9	92143-1196	D-8	92160-1073	F-8
92022-1831	B-6	92037-1608	B-3	92051-005	B-12	92072-1278	E-9	92143-1196	E-4	92160-1162	F-6
92022-223	B-8	92037-1608	E-4	92055-061	B-7	92072-1288	F-8	92143-1196	F-4	92160-1171	E-11
92022-239	D-7	92037-1608	F-8	92055-086	B-6	92072-1293	E-7	92143-1310	B-14	92160-1176	B-5
92022-269	B-8	92037-1621	E-7	92055-1111	E-11	92075-024	E-14	92143-1356	D-12	92160-1189	F-4
92022-304	B-13	92037-1710	E-5	92055-1112	E-11	92075-112	E-11	92143-1383	F-4	92160-1243	E-9

This catalog covers:

'92 KDX125-A3

GRID NO.

L-16

This grid covers:

Numerical Parts Index

Part No.	Grid No.	Part No.	Grid No.	Part No.	Grid No.	Part No.	Grid No.	Part No.	Grid No.
----------	----------	----------	----------	----------	----------	----------	----------	----------	----------

92160-1244	F-4
92160-1258	E-11
92170-1113	B-14
92170-1113	C-4
92170-1231	E-3
92170-1232	E-3
92170-1240	F-8
92170-1255	E-8
92170-2043	C-5
92180-1060	D-4
92190-1191	C-5
92190-1210	C-5
92190-1252	D-13
92190-1274	E-12
92190-1305	B-5
92200-1079	B-8
92200-1080	B-8

 **Kawasaki**

KDX 125 SR

KDX
125 SR

Catálogo de Partes

PREFACIO

Es nuestro placer presentarles a ustedes el Catálogo de Partes.

Este Catálogo ha sido especialmente diseñado para ayudarle en la selección de las partes correctas con el fin de mantener el equipo en las mejores condiciones.

Los repuestos originales están sujetos a un exigente estándar de control de calidad, por lo tanto es necesario que usted sólo use repuestos originales.

En nuestro constante esfuerzo para mejorar la eficiencia y desempeño de su equipo, las especificaciones, diagramas y número de partes pueden cambiar sin previo aviso. Consecuentemente las descripciones de los repuestos en este Catálogo pueden no ser las finales y definitivas.

Las alteraciones y modificaciones que ocurren en la impresión de este Catálogo, serán informadas a nuestra red, a través de circulares de Servicio. Es requisito que usted actualice su Catálogo y haga las correcciones necesarias, una vez reciba dichas circulares. Lo anterior le asegurará un rápido y adecuado despacho de sus partes, pues las órdenes están siendo diligenciadas con las referencias más actualizadas.

En caso de necesitar asistencia técnica, comunicarse con el Distribuidor Autorizado o llamar al Departamento de Servicios Auteco-Kawasaki.

Todos los derechos reservados, No se permite la reproducción total o parcial de éste libro, en ninguna forma o por ningún medio, ya sea electrónico o mecánico, incluido fotocopiado, sin permiso escrito de Autotecnica Colombiana S.A. "AUTECO S.A."

**DIRECTORIO TELEFÓNICO - DIVISIÓN REPUESTOS**

NOMBRE	CARGO	CELULAR	PBX Y EXT.
ALVARO VÉLEZ V.	JEFE LÍNEAS ESPECIALES	03310-3739023	373 00 45 EXT. 110
JOSE IGNACIO ROJAS L.	JEFE LÍNEAS ORIGINALES	03313-7677836	373 00 45 EXT. 117
ALEXANDER GRAJALES	VENTAS	03310-3739019	373 00 45 EXT. 112
BERNARDO MURIEL G.	VENTAS	03310-4362742	373 00 45 EXT. 127
CARLOS H. TOBON R.	VENTAS	03310-4473611	373 00 45 EXT. 106
CARLOS MARIO SALAZAR	VENTAS	03310-4148845	373 00 45 EXT. 108
ELKIN GALLEGO R.	VENTAS	03310-4362598	373 00 45 EXT. 107
GONZALO A. SILDARRIAGA S.	VENTAS	03310-4068874	373 00 45 EXT. 102
HECTOR A. VALENCIA R.	VENTAS	03310-4473652	373 00 45 EXT. 104
HECTOR JAIRO LOPEZ C.	VENTAS	03312-2576791	373 00 45 EXT. 137
JOHN JAIRO LÓPEZ CH.	VENTAS	03310-4442215	373 00 45 EXT. 105
NESTOR R. ADARVE	VENTAS	03310-4362689	373 00 45 EXT. 128
UBERNEY ORTIZ V.	VENTAS	03312-2576175	373 00 45 EXT. 115
WILLIAM GUTIÉRREZ CH.	VENTAS	03310-4074072	373 00 45 EXT. 133
MAURICIO MEJÍA	VENTAS		373 00 45 EXT. 275
GABRIEL JAIME CARMONA	VENTAS ORIGINALES	03313-7677843	373 00 45 EXT. 126
JORGE GIL	VENTAS ORIGINALES		373 00 45 EXT. 138
JORGE MARIO MAYA V.	VENTAS ORIGINALES	03312-2589384	373 00 45 EXT. 140

DIAGONAL 38 A N° 34-56 B. SAN JOSE ITAGÜÍ		FAX BODEGA: 373 83 94	FAX OFICINAS: 373 03 75
SERVICIO AL CLIENTE		ANDRES CARDONA	373 41 41 EXT. 125
FACTURACIÓN		RICARDO CUARTAS	373 41 41 EXT. 121
DEVOLUCIONES RECLAMOS Y MOTOS VARADAS		ALEJANDRO POSADA Y LUIS RODRIGUEZ	373 41 41 EXT. 135
VENTAS AL PÚBLICO		JULIAN BEDOYA	373 49 33

LÍNEA GRATUITA SERVICIO AL CLIENTE - ACLARA -**01 8000 52 00 90**

This catalog covers:
'92 KDX125-A3

GRID NO.

A-2

This grid covers:
Publications

Year & Model	Owner's Manual	A&P Manual		Service Manual	Microfiche
		General	Supplement		
1992 KDX125-A3	99922-1639-01	99931-1064-02	99939-1188-01	99924-1130-01	99917-1526-01

This catalog covers:
'92 KDX125-A3

GRID NO.

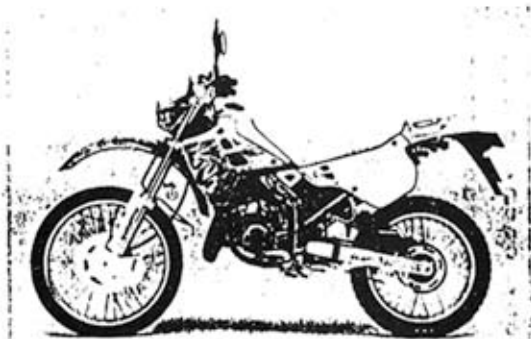
A-4

This grid covers:

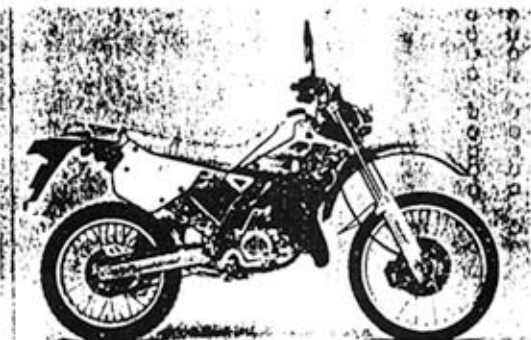
Model I.D. '92 KDX125-A3 (KDX125SR)

KDX125-A3

Left Side View

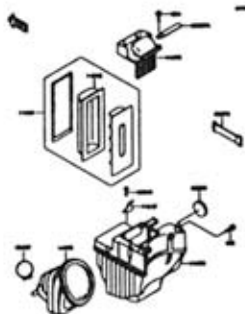


Right Side View

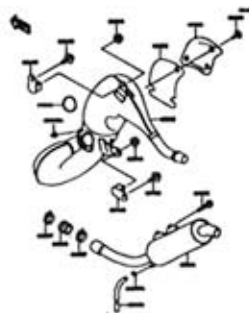




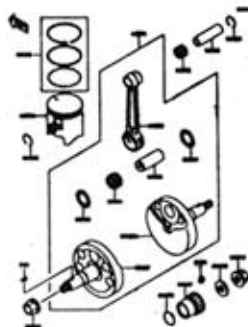
B-3 Cylinder Head/Cylinder



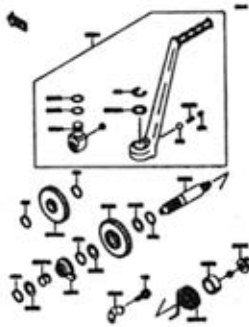
B-4 Air Filter



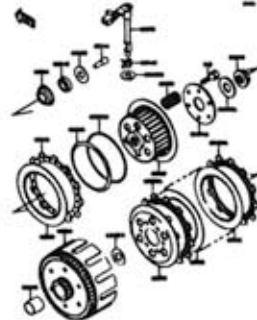
B-5 Muffler



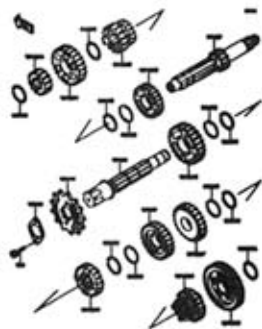
B-6 Crankshaft/Piston



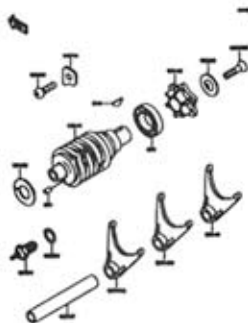
B-7 Kickstarter Mechanism



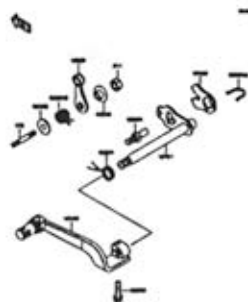
B-8 Clutch



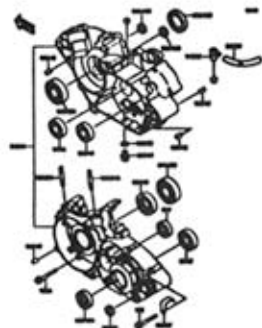
B-9 Transmission



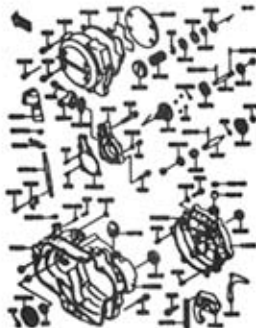
B-10 Change Drum/Shift Fork



B-11 Gear Change Mechanism



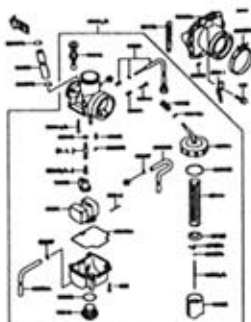
B-12 Crankcase



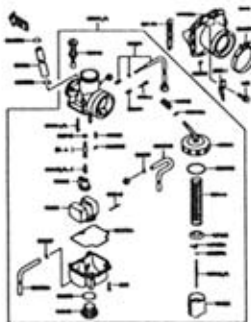
B-13 Engine Cover(1/2)



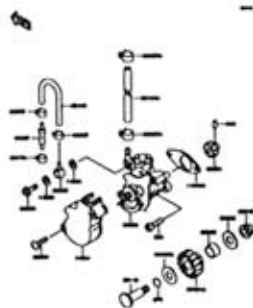
B-14 Engine Cover(2/2)



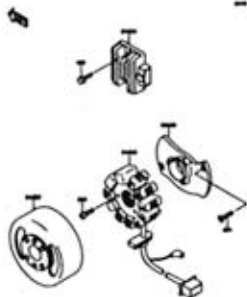
C-3 Carburetor(1/2)



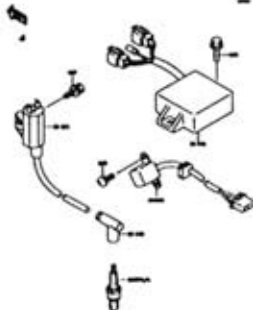
C-4 Carburetor(2/2)



C-5 Oil Pump



C-6 Generator



C-7 Ignition Coil



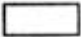
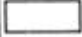

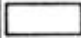


C-8 Radiator

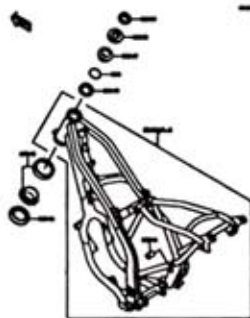
This catalog covers:
'92 KDX125-A3 Engine

GRID NO.

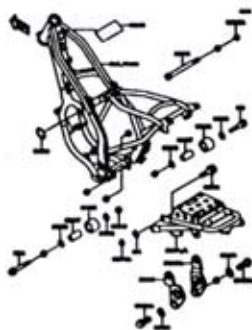
C-2

This grid covers:
Pictorial Index

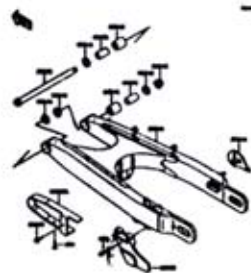
		
		



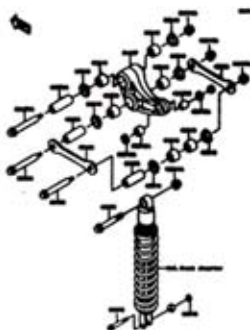
D-3 Frame



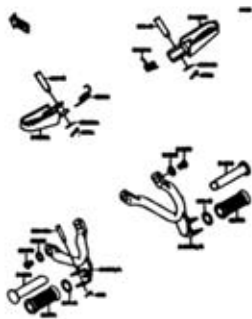
D-4 Frame Fitting



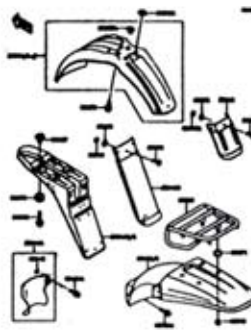
D-5 Swing Arm



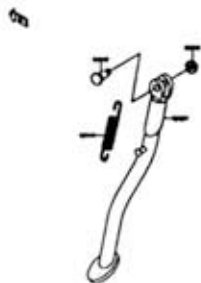
D-6 Suspension



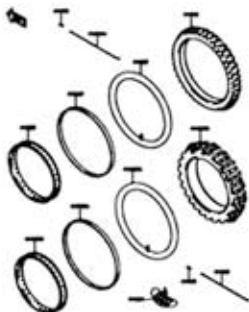
D-7 Step



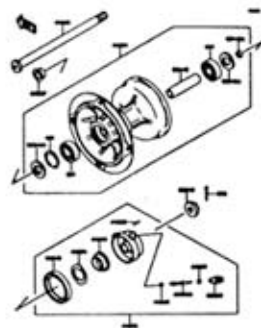
D-8 Fender



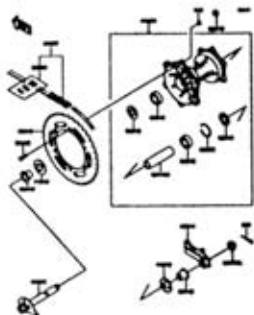
D-9 Stand



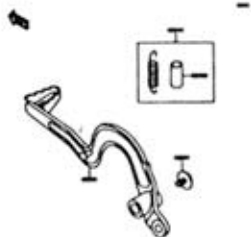
D-10 Tire



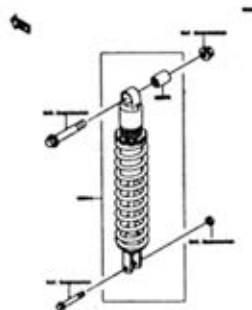
D-11 Front Hub



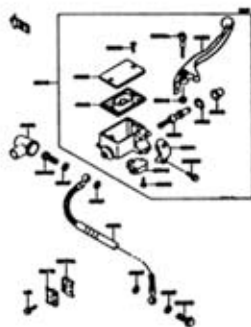
D-12 Rear Hub



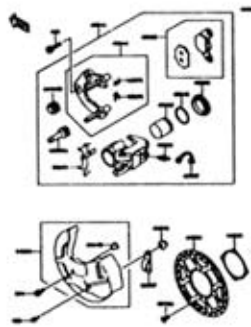
D-13 Brake Pedal



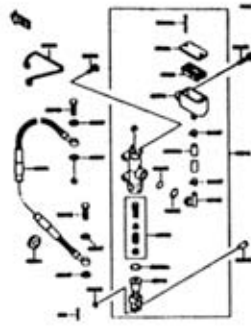
D-14 Shock Absorber



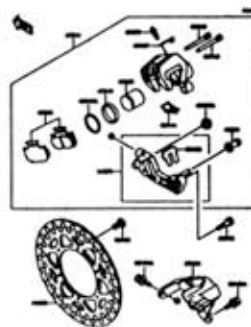
E-3 Front Master Cylinder



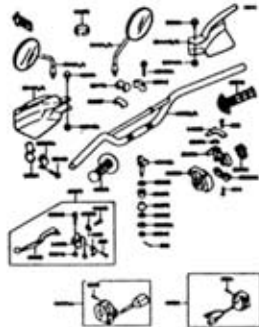
E-4 Front Caliper



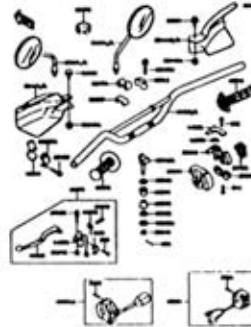
E-5 Rear Master Cylinder



E-6 Rear Caliper



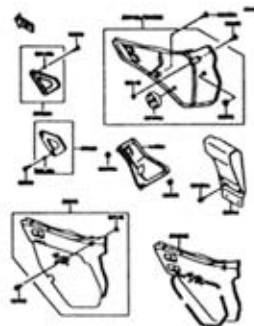
E-7 Handlebar(1/2)



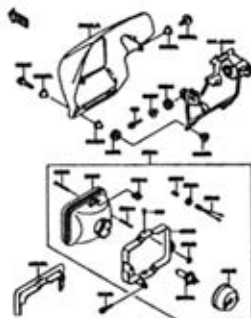
E-8 Handlebar(2/2)



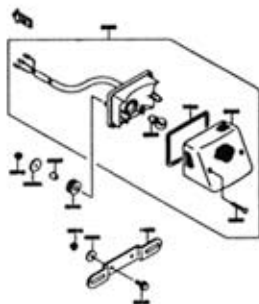
F-3 Cable



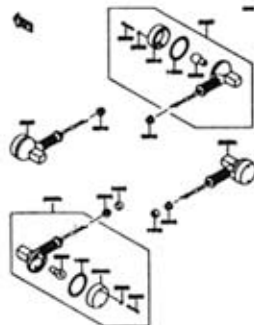
F-4 Side Cover/Chain Case



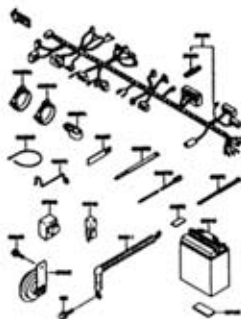
F-5 Head Lamp



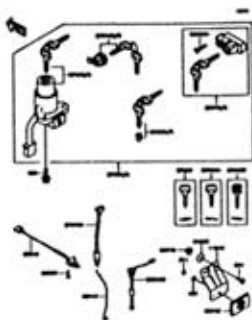
F-6 Tail Lamp



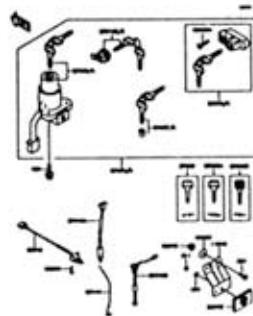
F-7 Turn Signal



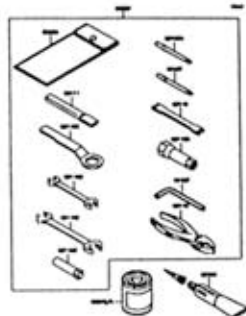
F-8 Electrical Equipment



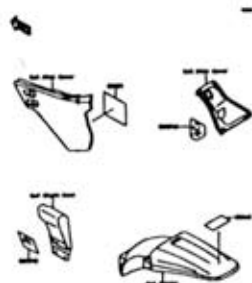
F-9 Ignition Switch(1/2)



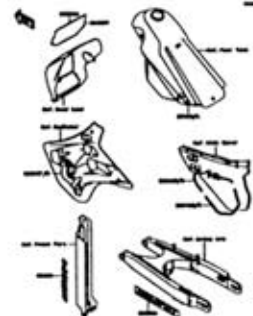
F-10 Ignition Switch(2/2)



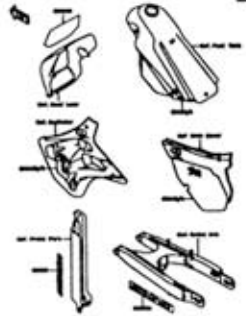
F-11 Tool



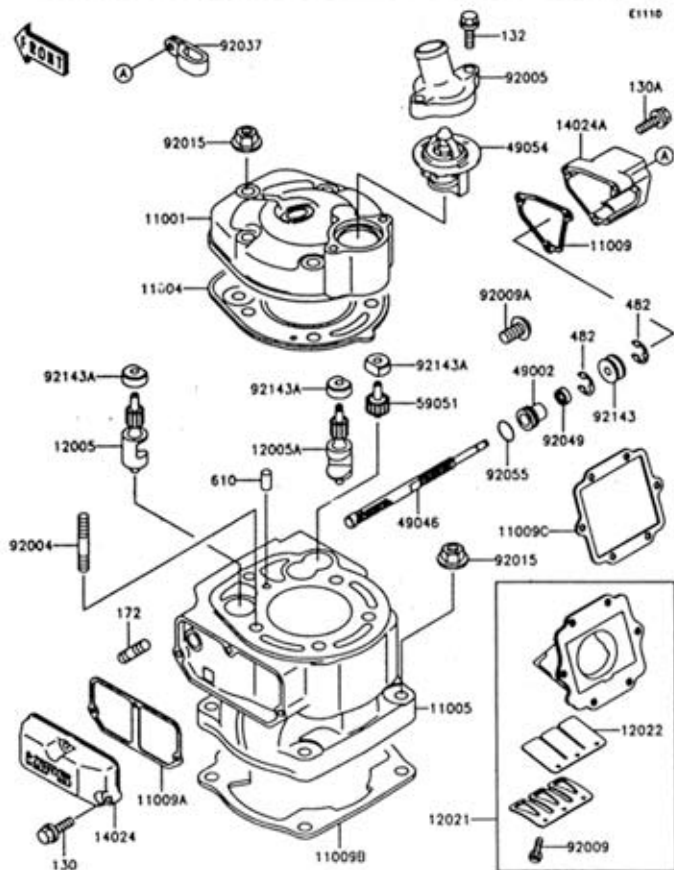
F-12 Label



F-13 Decal(Blue)

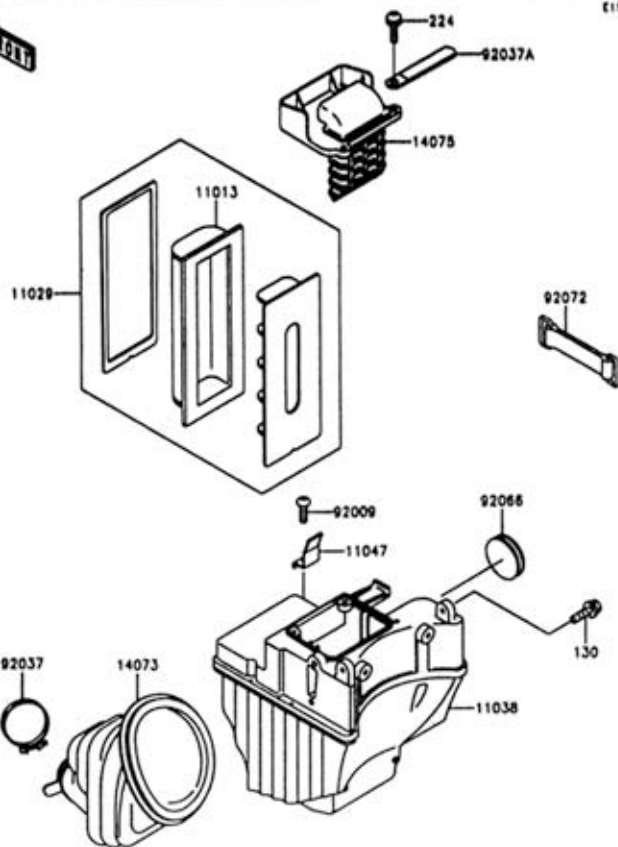


F-14 Decal(Green)



E1110

Ref. No.	Part No.	Description	Spec Code	Quantity-KDX125	
				'92	A3
11001	11001-1347	HEAD-CYLINDER		1	
11004	11004-1205	GASKET-HEAD		1	
11005	11005-1614	CYLINDER-ENGINE		1	
11009	11009-1934	GASKET,RH,GOVERNOR		1	
11009A	11009-1938	GASKET,LH,RESONATOR		1	
11009B	11009-1940	GASKET,CYLINDER BASE		1	
11009C	11009-1941	GASKET,REED VALVE		1	
12005	12005-1180	VALVE-EXHAUST,LH		1	
12005A	12005-1181	VALVE-EXHAUST,RH		1	
12021	12021-1083	VALVE-ASSY-REED		1	
12022	12022-1063	VALVE-REED		2	
14024	14024-1565	COVER,RESONATOR		1	
14024A	14024-1786	COVER,GOVERNOR		1	
49002	49002-1083	GUIDE-VALVE		1	
49046	49046-1068	ROD-GOVERNOR		1	
49054	49054-1063	THERMOSTAT		1	
59051	59051-1190	GEAR-SPUR,IDLE		1	
92034	92004-1009	STUD,BX35		5	
92005	92005-1205	FITTING,THERMOSTAT		1	
92009	92009-1014	SCREW,REED VALVE		6	
92009A	92009-1502	SCREW,5X10		1	
92015	92015-1143	NUT,8MM		9	
92037	92037-1608	CLAMP		1	
92049	92049-1206	SEAL-OIL,R50-5 5X11X4		1	
92055	92055-1399	RING-O,14.5X1.5		1	
92143	92143-1056	COLLAR		1	
92143A	92143-1147	COLLAR,VALVE		3	
130	130G0520	BOLT-FLANGED		3	
130A	130G0525	BOLT-FLANGED		3	
132	132G0625	BOLT-FLANGED-SMALL		2	
172	172G0822	BOLT-STUD,BX22		2	
482	482J4000	CIRCLIP-TY: C-E,4MM		2	
610	610A0408	ROLLER,4X8		1	



E1130

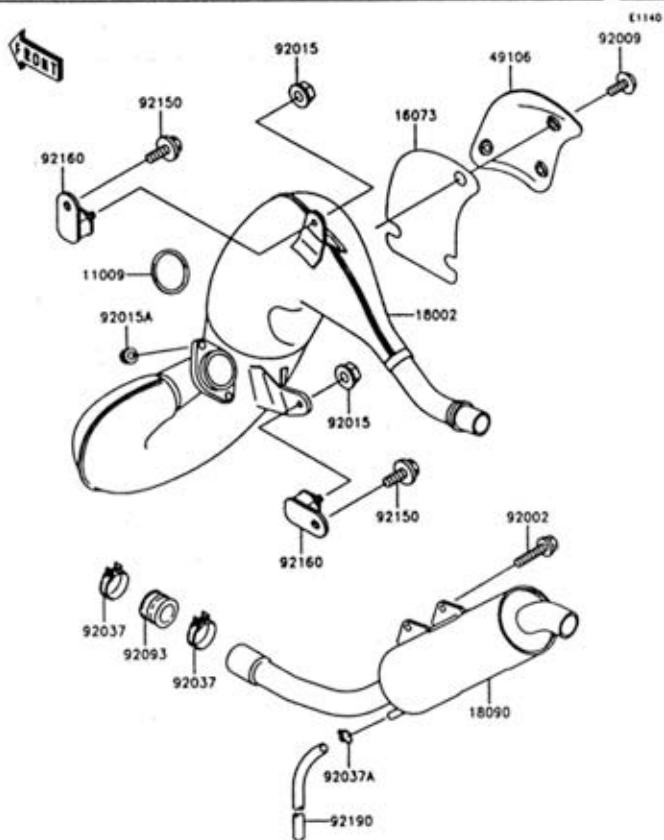
Ref. No.	Part No.	Description	Spec Code	Quantity-KDX125	
				'92	A3
11013	11013-1186	ELEMENT-AIR FILTER		1	
11029	11029-1003	ELEMENT-ASSY-AIR FILTER		1	
11038	11038-1081	CASE-ASSY-AIR FILTER		1	
11047	11047-1046	BRACKET		1	
14073	14073-1418	DUCT,AIR FILTER		1	
14075	14075-1084	CAP-ASSY,AIR DUCT		1	
92009	92009-1332	SCREW,TAPPING,5X10		1	
92037	92037-1486	CLAMP,55MM		1	
92037A	92037-1993	CLAMP		1	
92066	92066-1344	PLUG		1	
92072	92072-071	BAND,L = 100		1	
130	130G0612	BOLT-FLANGED,6X12		3	
224	224B0618	SCREW-PAN-WP-CROS		4	

This catalog covers:
 '92 KDX125-A3 Engine

GRID NO.

B-5

This grid covers:
Muffler



Ref. No.	Part No.	Description	Spec Code	Quantity-KDX125			
				'92	A3		
11009	11009-1992	GASKET,EXHAUST PIPE		1			
16073	16073-1085	INSULATOR		1			
18002	18002-1938	BODY-COMP-MUFFLER		1			
18090	18090-1149	MUFFLER-ASSY		1			
49106	49106-1121	COVER-MUFFLER		1			
92002	92002-1417	BOLT,FLANGED,8X20			2		
92009	92009-1618	SCREW,6X6			3		
92015	92015-1078	NUT,FLANGED,6MM			2		
92015A	92015-1183	NUT,FLANGED,8MM,BLACK			2		
92037	92037-1129	CLAMP,40MM			2		
92037A	92037-1712	CLAMP			1		
92093	92093-1012	SEAL,EXHAUST PIPE			1		
92150	92150-1435	BOLT,6X12			2		
92160	92160-1176	DAMPER,MUFFLER,FR			2		
92190	92190-1305	TUBE,5X9X450			1		

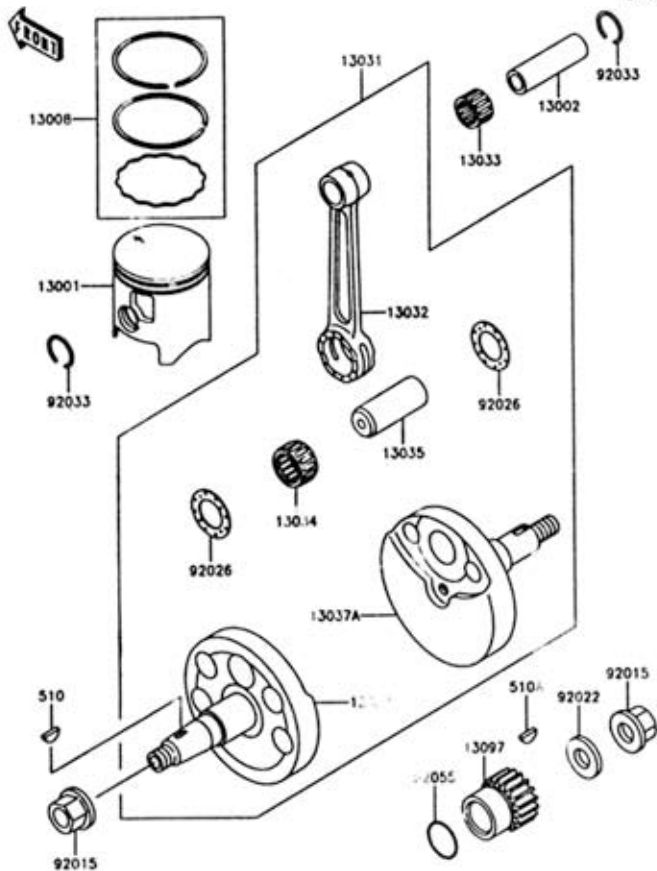
This catalog covers:
 '92 KDX125-A3 Engine

GRID NO.

B-6

This grid covers:
 Crankshaft/Piston

E1326



Ref. No.	Part No.	Description	Spec Code	Quantity-KDX125	
				'92	A3
13001	13001-1346	PISTON-ENGINE		1	
13002	13002-1066	PIN-PISTON		1	
13008	13008-1126	RING-SET-PISTON		1	
13031	13031-1304	CRANKSHAFT-COMP		1	
13032	13032-1146	ROD-CONNECTING		1	
13033	13033-1056	BEARING-SMALL END		1	
13034	13034-1070-B4	BEARING-BIG END		1	
13035	13035-1010-01	PIN-CRANK		1	
13037	13037-1385	CRANKSHAFT,LH		1	
13037A	13037-1399	CRANKSHAFT,RH		1	
13097	13097-1256	GEAR-PRIMARY SPUR,22T		1	
92015	92015-1156	NUT,FLANGED,12MM		2	
92022	92022-1831	WASHER		1	
92026	92026-1136	SPACER,22.2X37X1.0		2	
92033	92033-1242	RING-SNAP,PISTON PIN		2	
92055	92055-086	RING-O		1	
510	510A3200	KEY-WOODRUFF		1	
510A	510A5100	KEY-WOODRUFF		1	

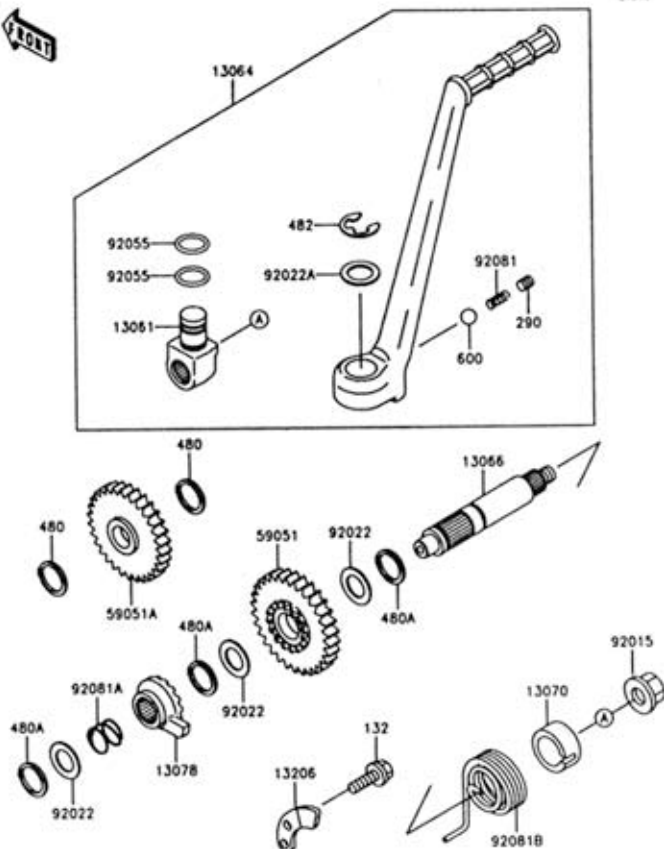
This catalog covers:
'92 KDX125-A3 Engine

GRID NO.

B-7

This grid covers:
Kickstarter Mechanism

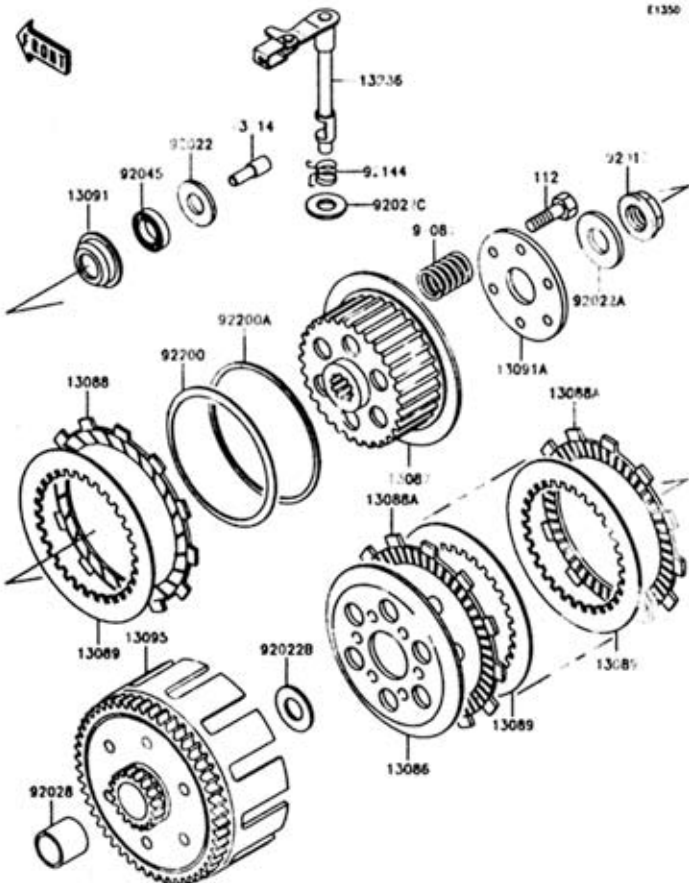
FRONT



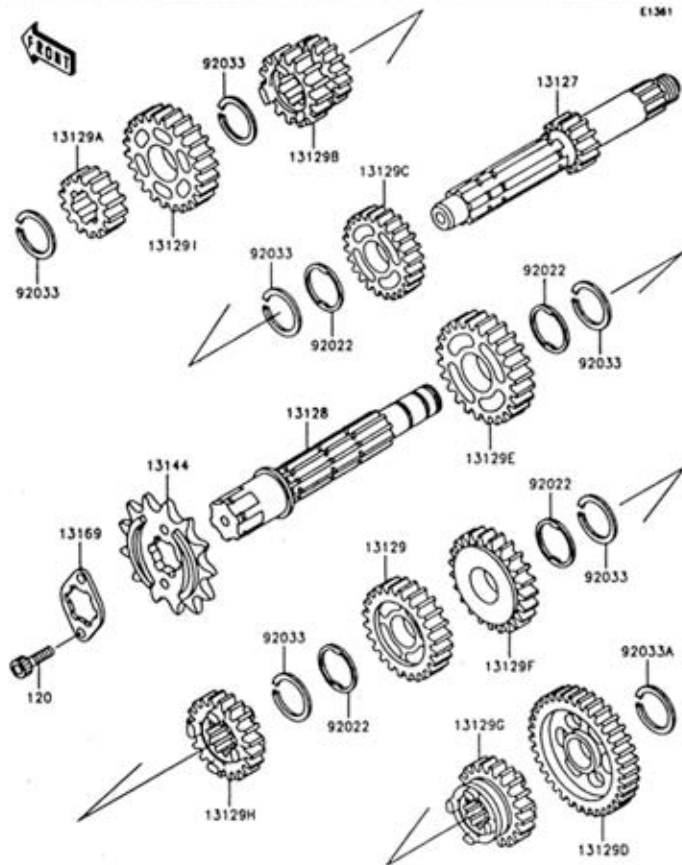
E1340

Ref. No.	Part No.	Description	Spec Code	Quantity-KDX125		
				'92	A3	
13061	13061-1331	BOSS,KICK PEDAL	1			
13064	13064-1151	LEVER-ASSY-KICK,PEDAL	1			
13066	13066-1074	SHAFT-KICK	1			
13070	13070-1007	GUIDE,KICK SPRING	1			
13078	13078-1052	RATCHET	1			
13206	13206-1061	GUIDE-KICK	1			
59051	59051-1228	GEAR-SPUR,KICKSTARTER,36T	1			
59051A	59051-1229	GEAR-SPUR,IDLE,34T	1			
92015	92015-1502	NUT,FLANGED,10MM	1			
92022	92022-315	WASHER,16 8X22X0.5	3			
92022A	92022-318	WASHER,15,2X20X1	1			
92055	92055-061	RING-O,10X1.5	2			
92081	92081-020	SPRING,KICK PEDAL	1			
92081A	92081-122	SPRING,RATCHET	1			
92081B	92081-1768	SPRING,KICKSTARTER	1			
132	132G0616	BOLT-FLANGED-SMALL	1			
290	290O0808	SCREW-SET-SOCKET,8XB	1			
480	480J1500	CIRCLIP-TYPE-C,15MM	2			
480A	480J1600	CIRCLIP-TYPE-C,16MM	3			
482	482L0100	CIRCLIP-TYPE-E,10MM	1			
600	600A0800	BALL-STEEL,1/4"	1			

(1350)



Ref. No.	Part No.	Description	Spec Code	Quantity-KDX125			
				'92	A3		
13086	13086-1056	WHEEL-CLUTCH		1			
13087	13087-1128	HUB-CLUTCH		1			
13088	13088-1058	PLATE-FRICTION		1			
13088A	13088-1081	PLATE-FRICTION,ID=95		6			
13089	13089-1070	PLATE-CLUTCH		6			
13091	13091-1134	HOLDER,CLUTCH PUSHER		1			
13091A	13091-1683	HOLDER,CLUTCH SPRING		1			
13091	13095-1215	HOUSING-COMP-CLUTCH		1			
13114	13114-1064	PUSHER-CLUTCH		1			
13236	13236-1195	LEVER-COMP		1			
92015	92015-072	NUT,LOCK,16MM		1			
92022	92022-1290	WASHER,7X12.5X0.8		1			
92022A	92022-1356	WASHER,16.3X.9X1.75		1			
92022B	92022-223	WASHER,20.5X.30X1.4		1			
92022C	92022-269	WASHER,12.3X.70X0.5		1			
92078	92078-1388	BUSHING,20X.70X2.85		1			
92045	92045-1239	BEARING-BALL		1			
92081	92081-1637	SPRING,CLUTCH		6			
92144	92144-1287	SPRING,CLUTCH RELEASE		1			
92200	92200-1079	WASHER,LEVER SPRING		1			
92200A	92200-1080	WASHER,LEVER PLATE		1			
112	112G0520	BOLT-UPSET		6			

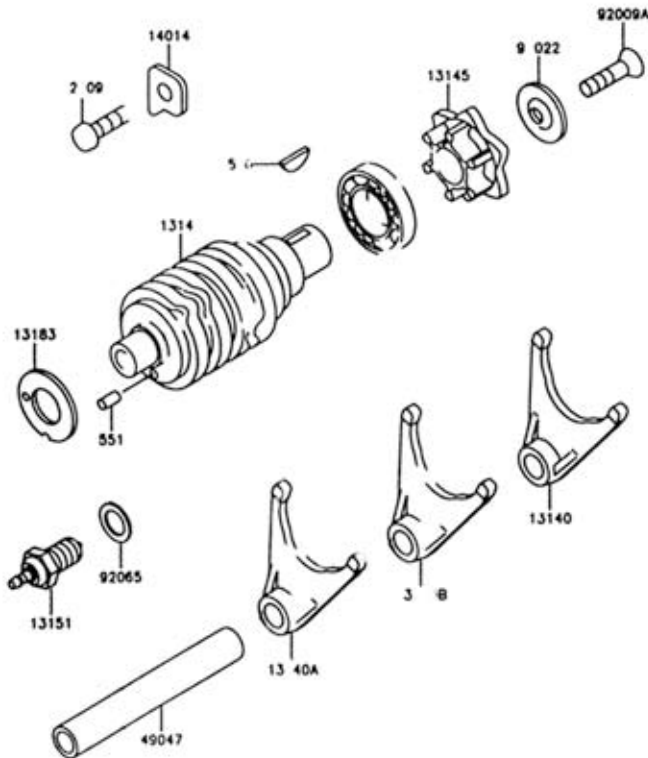


(13M)

Ref. No.	Part No.	Description	Spec Code	Quantity-KDX125	
				'92	A3
13127	13127-1197	SHAFT-TRANSMISSION INPUT,10T			1
13128	13128-1134	SHAFT-TRANSMISSION OUTPUT			1
13129	13129-1559	GEAR_OUTPUT 4TH,24T			1
13129A	13129-1788	GEAR_INPUT 2ND,14T			1
13129B	13129-1789	GEAR_INPUT 3RD&4TH,17T&22T			1
13129C	13129-1790	GEAR_INPUT 5TH,24T			1
13129D	13129-1791	GEAR_OUTPUT LOW,31T			1
13129E	13129-1792	GEAR_OUTPUT 2ND,27T			1
13129F	13129-1793	GEAR_OUTPUT 3RD,24T			1
13129G	13129-1795	GEAR_OUTPUT 5TH,22T			1
13129H	13129-1796	GEAR_OUTPUT TOP,21T			1
13129I	13129-1925	GEAR_INPUT TOP,26T			1
13144	13144-1177	SPROCKET-OUTPUT,15T			1
13169	13169-1541	PLATE,SPROCKET			1
92022	92022-1033	WASHER TOOTHED,20.3X24X0.5			4
92033	92033-1214	RING-SNAP,18.7MM			6
92033A	92033-1215	RING-SNAP,14MM			1
120	12000608	BOLT-SOCKET			2

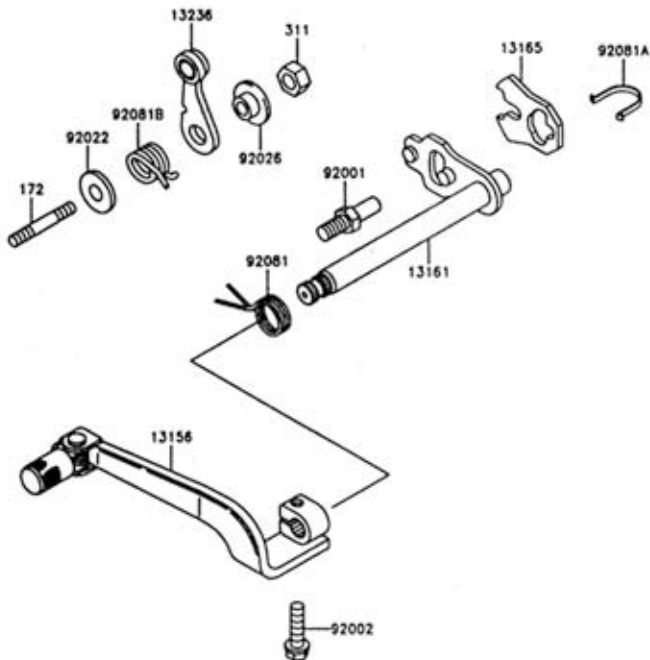


CR/DN

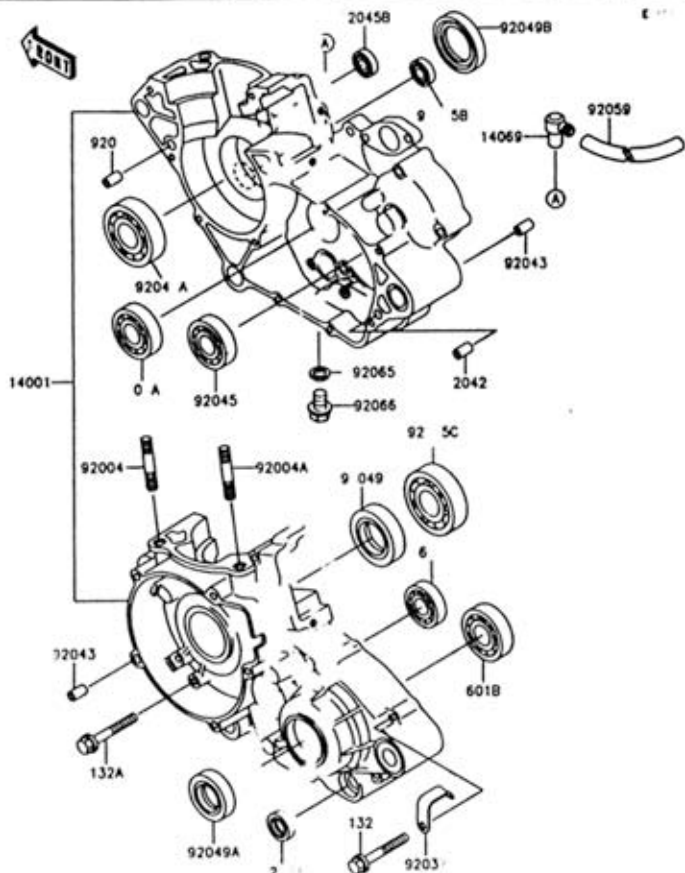


Ref. N.	Part No.	Description	Spec Code	Quantity-KDX125			
				'92	A3		
131 0	13140-1150	FORK-SHIFT,LOW-3RD		1			
13140A	13140-1151	FORK-SHIFT,2ND-4TH		1			
1314 B	13140-1152	FORK-SHIFT,5TH-TOP		1			
13141	13141-1161	CRU-CHANGE		1			
13145	13145-059	ARM-ANGLED UM		1			
13151	13151-1007	SCREW COMP.N. CENTRAL		1			
1318	13183-1066	PLATE CHANGE		1			
14014	14014-106	PLATE POSITION DUM		1			
49047	49047-1078	ROD-SHIFT		1			
92009	92009-1277	SCREW		1			
92009A	92009-60	SCREW 6X		1			
92022	92022-92	WASHER		1			
92065	92065-C56	GAS KEY, 1.5X16X1.1 MAN PLUG		1			
510	510A32	KEY WOOD RUFF		1			
551	51A0308	PIN-DOWEL 3X8		1			
601	601A6003	BEARING-G-BEARING #6003		1			

E1370



Ref. No.	Part No.	Description	Spec Code	Quantity-KDX125		
				'92	A3	
13156	13156-1269	LEVER-CHANGE PEDAL			1	
13161	13161-1132	LEVER-COMP-CHANGE SHAFT			1	
13165	13165-1034	PAWL-CHANGE LEVER			1	
13236	13236-1146	LEVER-COMP-POSITION			1	
92001	92001-1455	BOLT-RETURN SPRING			1	
92002	92002-1339	BOLT-6X25			1	
92022	92022-1827	WASHER-6X12 8X1.2			1	
92026	92026-1217	SPACER			1	
92081	92081-1750	SPRING-CHANGE PEDAL RETURN			1	
92081A	92081-1829	SPRING-CHANGE LEVER			1	
92081B	92081-1993	SPRING-POSITION LEVER			1	
172	172G0612	BOLT-STUD-6X12			1	
311	311G0600	NUT-HEX-6MM			1	



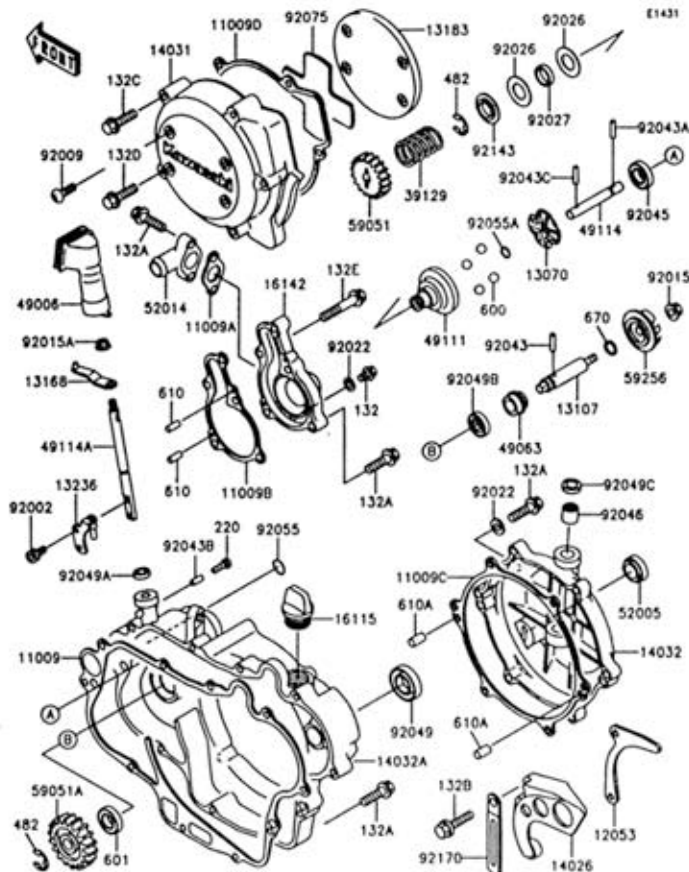
Ref. No.	Part No.	Description	Spec Code	Quantity-KDX125		
				92	A3	
14001	14001- 212	SET-CRANKCASE			1	
14069	14069-003	BREATHER			1	
92004	92004- 008	STUD,8X25			2	
92004A	92004- 1-2	STUD ,X28.5			2	
92037	92037- 3-8	CLAMP,HARNISS			1	
92042	92042-007	PIN,DOWEL,6.3X8X14			2	
92043	92043-1263	PIN,6.2X8X14			4	
92045	92045- 69	BEARING-BALL,#6202X19			1	
92045A	92045-1209	BEAR NG-BALL			1	
92045B	92045- 212	BEAR NG-BALL			2	
92045C	92045- 277	BEAR NG-BALL,#6205JR2C4			1	
92049	92049-1 87	SEAL-OIL,TC25406			1	
92049A	92049- 257	SEAL OIL,TC20376.5			1	
92049B	92049- 301	SEAL OIL			1	
92051	92051-005	SEAL-OIL,TB13225.5			1	
92059	9 059- 868	TUBE 6X9X380			1	
92065	9 065-058	GAS .ET,10.5X16X1,DRAIN PLUG			1	
92066	9 066- 241	PLUG,DRAIN			1	
132	1 2G065	BOLT-FLANGED-SMALL			8	
132A	1 2G066	BOLT-FLANGED-SMALL			4	
601	60 B6202	BEARING-BALL,#6202C3			1	
601A	601B6204	BEARING-BALL,#6204C3			1	
601B	601B6304	BEARING-BALL,#6304C3			1	

This catalog covers:
 '92 KDX125-A3 Engine

GRID NO.

B-13

This grid covers:
 Engine Cover(1/2)



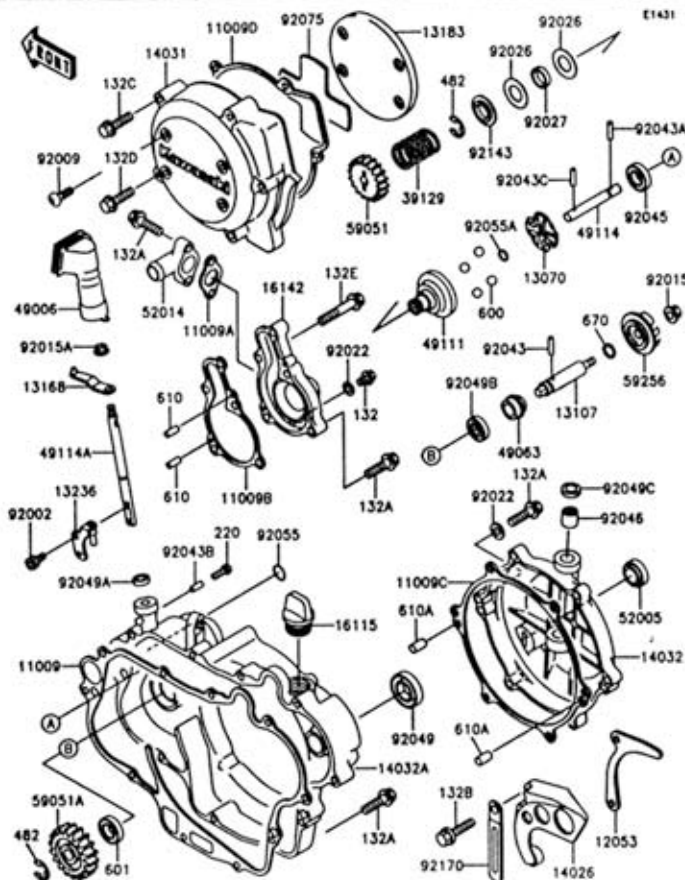
Ref. No.	Part No.	Description	Spec Code	Quantity-KDX125			
				'92	A3		
11009	11009-1841	GASKET,CLUTCH COVER		1			
11009A	11009-1935	GASKET,ELBOW		1			
11009B	11009-1936	GASKET,PUMP COVER		1			
11009C	11009-1939	GASKET,RELEASE COVER		1			
11009D	11009-1942	GASKET,GENERATOR COVER		1			
12053	12053-1276	GUIDE-CHAIN		1			
13070	13070-1206	GUIDE		1			
13107	13107-1270	SHAFT,WATER PUMP		1			
13168	13168-1371	LEVER,GOVERNOR		1			
13183	13183-1059	PLATE,GENERATOR COVER		1			
13236	13236-1190	LEVER-COMP,GOVERNOR SHAFT		1			
14026	14026-1159	COVER-CHAIN		1			
14031	14031-1246	COVER-GENERATOR		1			
14032	14032-1273	COVER-CLUTCH		1			
14032A	14032-1285	COVER-CLUTCH		1			
16115	16115-018	CAP-OIL FILLER		1			
16142	16142-1106	COVER,PUMP		1			
39129	39129-1003	SPRING-GOVERNOR		1			
49006	49006-1228	BOOT,GOVERNOR		1			
49063	49063-1002	SEAL-MECHANICAL,WATER PUMP		1			
49111	49111-1054	HOLDER-GOVERNOR WEIGHT		1			
49114	49114-1058	SHAFT-GOVERNOR		1			
49114A	49114-1070	SHAFT-GOVERNOR		1			
52005	52005-1055	GAUGE,OIL LEVEL		1			
52014	52014-1072	ELBOW		1			
59051	59051-1225	GEAR-SPUR,GOVERNOR,21T		1			
59051A	59051-1234	GEAR-SPUR,PUMP,25T		1			
59256	59256-1063	IMPELLER		1			
92002	92002-1403	BOLT,SOCKET,4X8		2			
92009	92009-1154	SCREW,5X12		4			
92015	92015-1078	NUT,FLANGED,6MM		1			
92015A	92015-1572	NUT,6MM		1			
92022	92022-304	WASHER,6.2X11X1		2			
92026	92026-1238	SPACER,15X28X1		2			
92027	92027-1839	COLLAR,15.2X17X4		1			
92043	92043-1129	PIN,3 5X23 8		1			
92043A	92043-1256	PIN,3X12.8		1			
92043B	92043-1293	PIN,2X9 8		1			
92043C	92043-1319	PIN,3X19.8		1			
92045	92045-1212	BEARING-BALL		1			

This catalog covers:
 '92 KDX125-A3 Engine

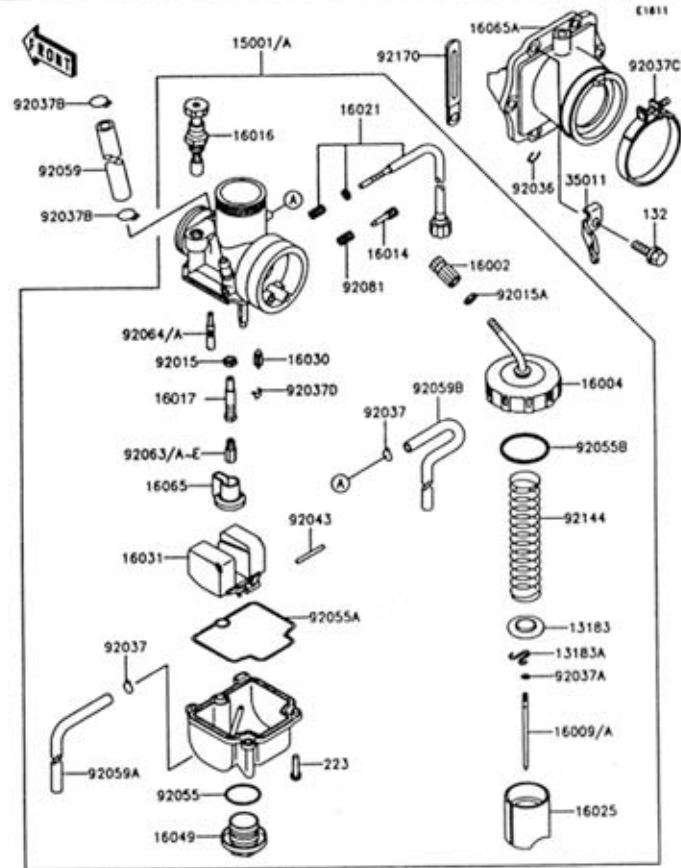
GRID NO.

B-14

This grid covers:
 Engine Cover(2/2)



Ref. No.	Part No.	Description	Spec Code	Quantity-KDX125	
				'92	A3
92046	92046-1176	BEARING-NEEDLE		1	
92049	92049-002	SEAL-OIL,SB16244		1	
92049A	92049-1207	SEAL-OIL,SDO8144		1	
92049B	92049-1259	SEAL-OIL,SC12 28.555		1	
92049C	92049-1262	SEAL-OIL		1	
92055	92055-1258	RING-O,16.8X2.4		1	
92055A	92055-1343	RING-O,5.5X1.5		1	
92075	92075-1895	DAMPER,GENERATOR COVER		1	
92143	92143-1310	COLLAR		1	
92170	92170-1113	CLAMP,CARBURETOR HOSE		1	
132	132G0608	BOLT-FLANGED-SMALL		1	
132A	132G0625	BOLT-FLANGED-SMALL		21	
132B	132G0630	BOLT-FLANGED-SMALL		2	
132C	132G0640	BOLT-FLANGED-SMALL		3	
132D	132G0645	BOLT-FLANGED-SMALL		2	
132E	132G0665	BOLT-FLANGED-SMALL		1	
220	220B0306	SCREW-PAN-CROS		1	
462	462J0100	CIRCLIP-TYPE-E,10MM		2	
600	600A1200	BALL-STEEL,3/8"		4	
601	601B6201U	BEARING-BALL,#6201LUC3/2A		1	
610	610A0408	ROLLER,4X8		2	
610A	610A0612	ROLLER,6X12		2	
670	670B1506	O RING,6MM		1	



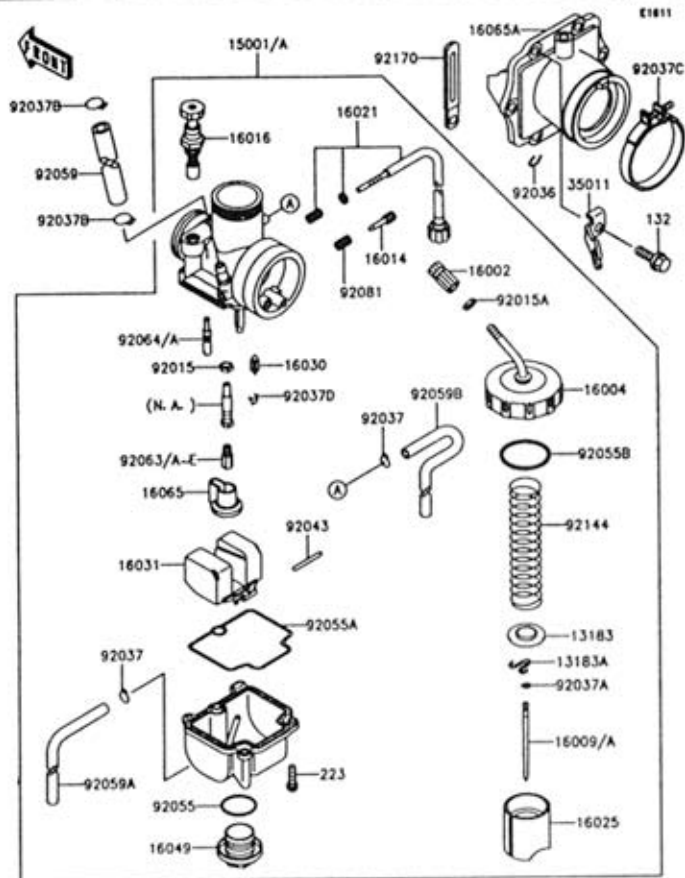
Ref. No.	Part No.	Description	Spec Code	Quantity - KDX125	
				'92	A3
13183	13183-1162	PLATE			1
13183A	13183-1250	PLATE, THROTTLE			1
15001	15001-1569	CARBURETOR-ASSY			1
	L			EU	1
15001A	15001-1673	CARBURETOR-ASSY			1
	L			NR	1
16002	16002-1057	ADJUSTER-CABLE			1
16004	16004-1068	CAP-CHAMBER			1
16009	16009-1634	NEEDLE-JET, N99A			1
	L			EU	1
16009A	16009-1639	NEEDLE-JET, N99C			1
	L			NR	1
16014	16014-1033	SCREW-PILOT AIR			1
16016	16016-1028	PLUNGER, STARTER			1
16017	16017-1320-KDX	"NEEDLE-JET"			1
16021	16021-1142	SCREW-THROTTLE STOP			1
16025	16025-1143	VALVE-THROTTLE, CA6.0			1
16030	16030-1064	VALVE-FLOAT			1
16031	16031-1065	FLOAT			1
16049	16049-1051	COVER-MAIN JET			1
16065	16065-1162	HOLDER-CARBURETOR			1
16065A	16065-1209	HOLDER-CARBURETOR			1
35011	35011-1539	STAY			1
92015	92015-1674	NUT			1
92015A	92015-1772	NUT, CABLE ADJUST LOCK			1
92036	92036-018	RING-SNAP			1
92037	92037-1396	CLAMP, TUBE			2
92037A	92037-1401	CLAMP, JET NEEDLE			1
92037B	92037-147	CLAMP, TUBE			2
92037C	92037-1527	CLAMP, 43MM			1
92037D	9037-1991	CLAMP, FLOAT			1
92043	92043-1207	PIN, FLOAT			1
92055	92055-1167	RING-O, MAIN JET COVER			1
92055A	92055-1389	RING-O, FLOAT CHAMBER			1
92055B	92055-1390	RING-O, CHAMBER TOP			1
92059	92059-1295	TUBE, 5.8X10.8X215			1
92059A	92059-1844	TUBE, 4X7X300			1
92059B	92059-1941	TUBE, 4X7X360			1
92063	92063-1334	JET-MAIN, #125			1
	L			EU	1
		(OFF ROAD USE ONLY)			
92063A	92063-1353	JET-MAIN, #110			1
	L			NR	1

This catalog covers:
 '92 KDX125-A3 Engine

GRID NO.

C-4

This grid covers:
 Carburetor(2/2)

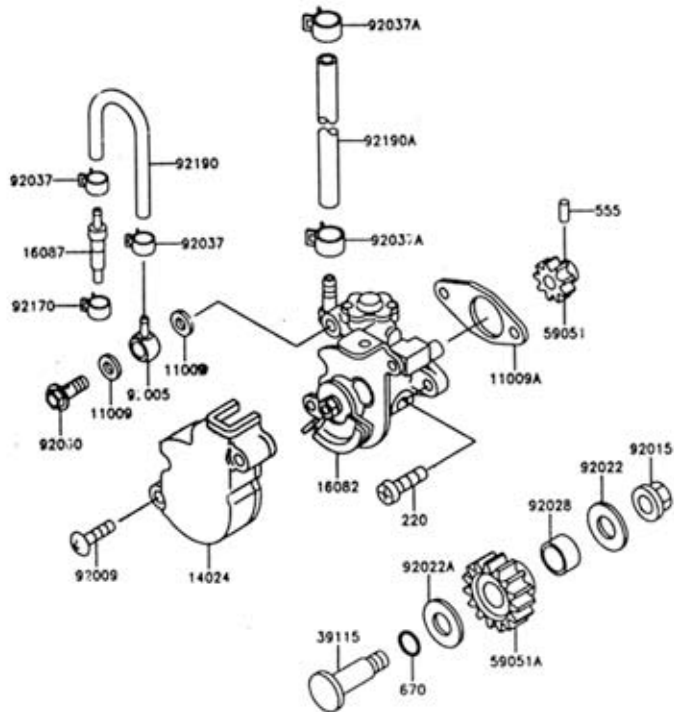


Ref. No.	Part No.	Description	Spec Code	Quantity-KDX125	
				'92	A3
92063B	92063-1355	JET-MAIN,#115			
		L (OFF ROAD USE ONLY)	EU	1	
92063C	92063-1356	JET-MAIN,#118			
		L (OFF ROAD USE ONLY)	EU	1	
92063D	92063-1357	JET-MAIN,#120			
		L	EU	1	
92063E	92063-1358	JET-MAIN,#122			
		L (OFF ROAD USE ONLY)	EU	1	
92064	92064-1139	JET-PILOT,#38			
		L	NR	1	
92064A	92064-1141	JET-PILOT,#42			
		L	EU	1	
92081	92081-1555	SPRING,ADJUST SCREW			1
92144	92144-1177	SPRING,THROTTLE VALVE			1
92170	92170-1113	CLAMP,CARBURETOR HOSE			1
132	132G0620	BOLT-FLANGED-SMALL			6
223	223C0416	SCREW-PAN-WS-CROS			2

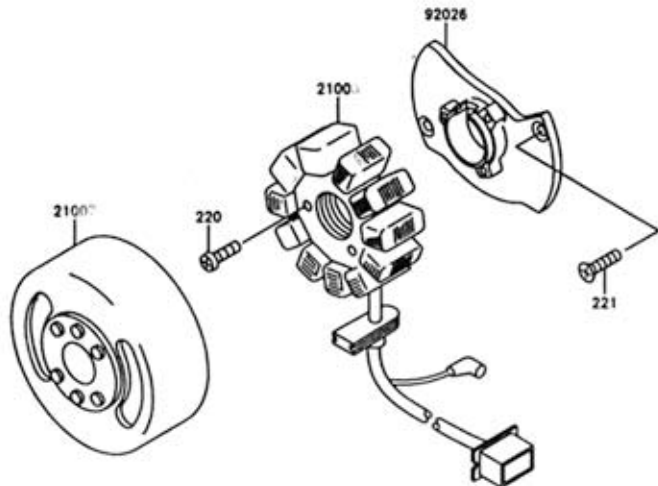
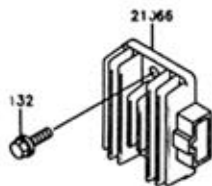
This catalog covers:
'92 KDX125-A3 Engine

GRID NO. This grid covers:
C-5 Oil Pump

E1710



Ref. No.	Part No.	Description	Spec Code	Quantity KDX125		
				'92	A3	
11009	11009-1298	GASKET,6X12X1.0		2		
11009A	11009-1937	GASKET,OIL PUMP		1		
14024	14024-1910	COVER,OIL PUMP		1		
16082	16082-1107	PUMP-ASSY-OIL		1		
16087	16087-1001	VALVE-CHECK		1		
39115	39115-1064	SHAFT-IDLER		1		
59051	59051-1226	GEAR-SPUR,OIL PUMP,9T		1		
59051A	59051-1227	GEAR-SPUR,PUMP IDLE,18T		1		
92005	92005-1146	FITTING		1		
92009	92009-1491	SCREW,5X20,WHITE		2		
92015	92015-1078	NUT,FLANGED,6MM		1		
92022	92022-1369	WASHER,6.2X18X1.2		1		
92022A	92022-1475	WASHER,8X16X0.5		1		
92028	92028-1589	BUSHING,8X12X8.8		1		
92037	92037-1260	CLAMP,TUBE		2		
92037A	92037-1601	CLAMP		2		
92060	92060-013	BOLT,BANJO,L = 16		1		
92170	92170-2043	CLAMP		1		
92190	92190-1191	TUBE,3X6X120		1		
92190A	92190-1210	TUBE,4.5X9X325		1		
220	220B0516	SCREW-PAN-CROS		2		
555	555A0312	PIN-SPRING		1		
670	670B1507	O RING,7MM		1		



Ref. No.	Part No.	Description	Spec Code	Quantity-KDX125	
				'92	A3
1003	21003-1224	STATOR		1	
1007	21007-1220	ROTOR,MAGNETO		1	
21066	21066-1039	REGULATOR-VOLTAGE		1	
92026	92026-1381	SPACER		1	
132	132G0614	BOLT-FLANGED-SMALL		2	
220	220B0530	SCREW-PAN-CROS		3	
221	221B0616	SCREW-CSK-CROS,6X16		2	

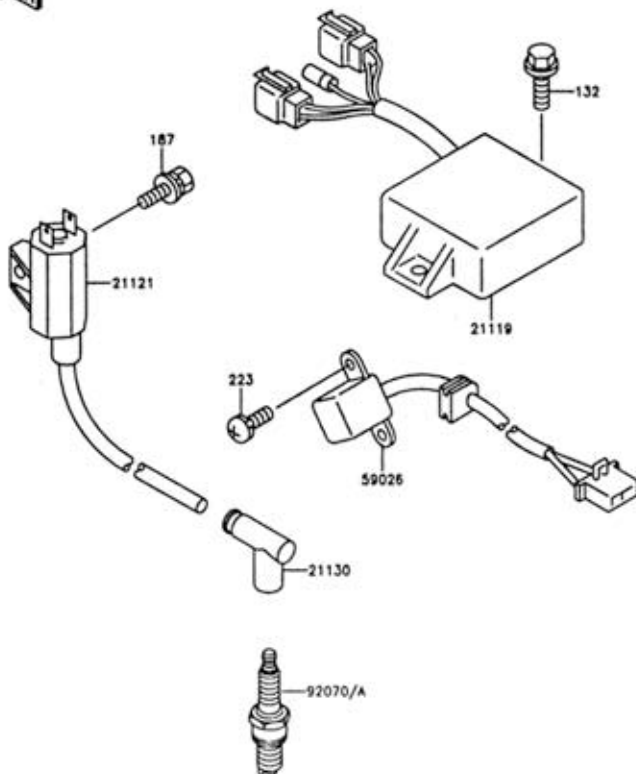
This catalog covers:
 '92 KDX125-A3 Engine

GRID NO.

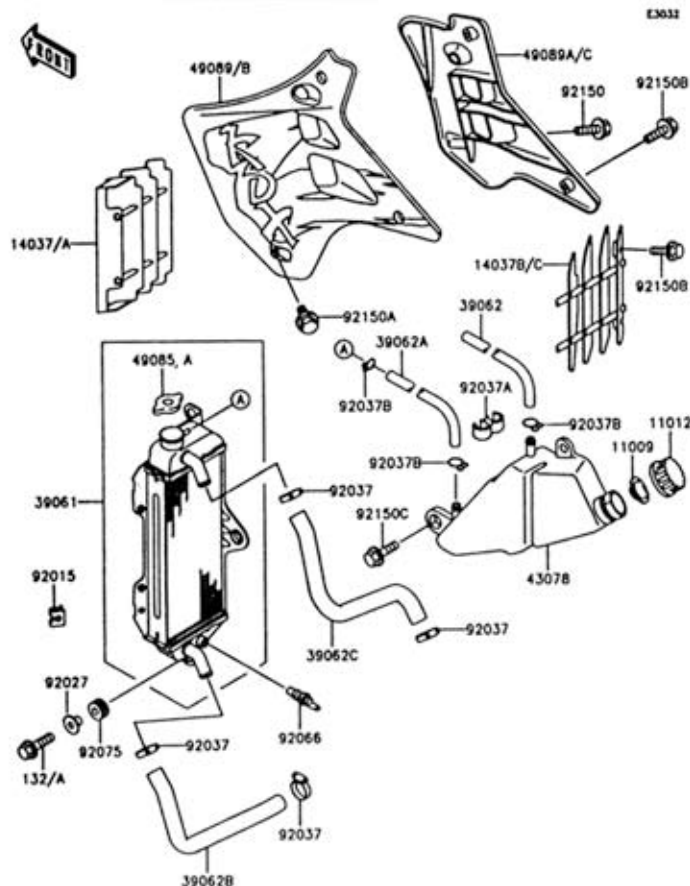
C-7

This grid covers:
Ignition Coil

E1830



Ref. No.	Part No.	Description	Spec Code	Quantity-KDX125	
				'92	A3
21119	21119-1335	IGNITER		1	
21121	21121-1147	COIL-IGNITION		1	
21130	21130-1062	CAP-SPARK PLUG		1	
59026	59026-1079	COIL-PULSING		1	
92070	92070-1157 (OPTION)	PLUG-SPARK, BR8ES(NGK)		1	
92070A	92070-2078	PLUG-SPARK, BR8ES(NGK)		1	
132	132G0614	BOLT-FLANGED-SMALL		2	
187	187C0616	BOLT-UPSET-WSP		1	
223	223B0514	SCREW-PAN-WS-CROS		2	



Ref. No.	Part No.	Description	Spec Code	Quantity-KDX125	
				'92	A3
11009	11009-1145	GASKET,RESERVOIR TANK CAP		1	
11012	11012-1084	CAP		1	
14037	14037-1099-BV	SCREEN,LH,BLUE 24		1	
14037A	14037-1099-6W	SCREEN,L.GREEN		1	
14037B	14037-1121-BV	SCREEN,RH,BLUE 24		1	
14037C	14037-1121-6W	SCREEN,RH,L.GREEN		1	
39061	39061-1180	RADIATOR-ASSY		1	
39062	39062-1315	HOSE-COOLING,5X9X420		1	
39062A	39062-1334	HOSE-COOLING,5X9X1050		1	
39062B	39062-1373	HOSE-COOLING,RADIATOR-PUMP		1	
39062F	39062-1374	HOSE-COOLING,HEAD-RADIATOR		1	
43078	43078-1118	RESERVOIR		1	
49085	49085-1003	CAP-ASSY-PRESSURE		1	
49085A	49085-1059	CAP-ASSY-PRESSURE,P=1.6 (OPTION)		1	
49089	49089-5141-6W	SHROUD-ENGINE,LH,L.GREEN		1	
49-89A	49089-5142-6W	SHROUD-ENGINE,RH,L.GREEN		1	
49087J	49089-5145-BV	SHROUD-ENGINE,LH,BLUE 24		1	
49089C	49089-5146-BV	SHROUD-ENGINE,RH,BLUE 24		1	
92015	92015-1487	NUT		2	
92027	92027-194	COLLAR,L=11.1		3	
92037	92037-1589	CLAMP,COOLING HOSE		4	
92037A	92037-1603	CLAMP,HOSE		1	
92037B	92037-1712	CLAMP		3	
92066	92066-1118	PLUG,SENSOR,WATER		1	
92075	92075-209	DAMPER		3	
92150	92150-1339	BOLT,6X20		1	
92150A	92150-1340	BOLT,6X14		1	
92150B	92150-1435	BOLT,6X12		5	
92150C	92150-1504	BOLT,FLANGED,6X14		1	
132	132G0625	BOLT-FLANGED-SMALL		3	

This catalog covers:

'92 KDX125-A3 Chassis

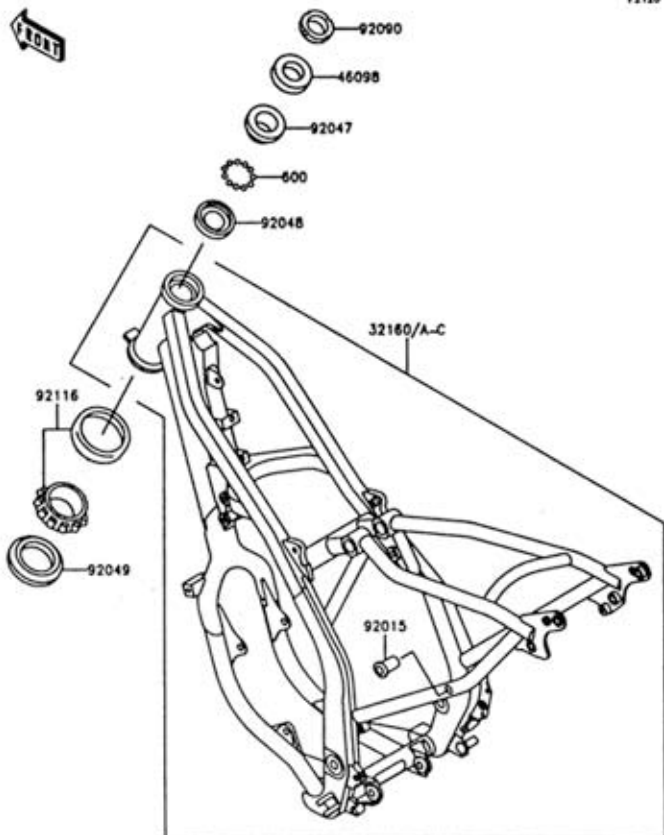
GRID NO.

D-3

This grid covers:

Frame

F2120



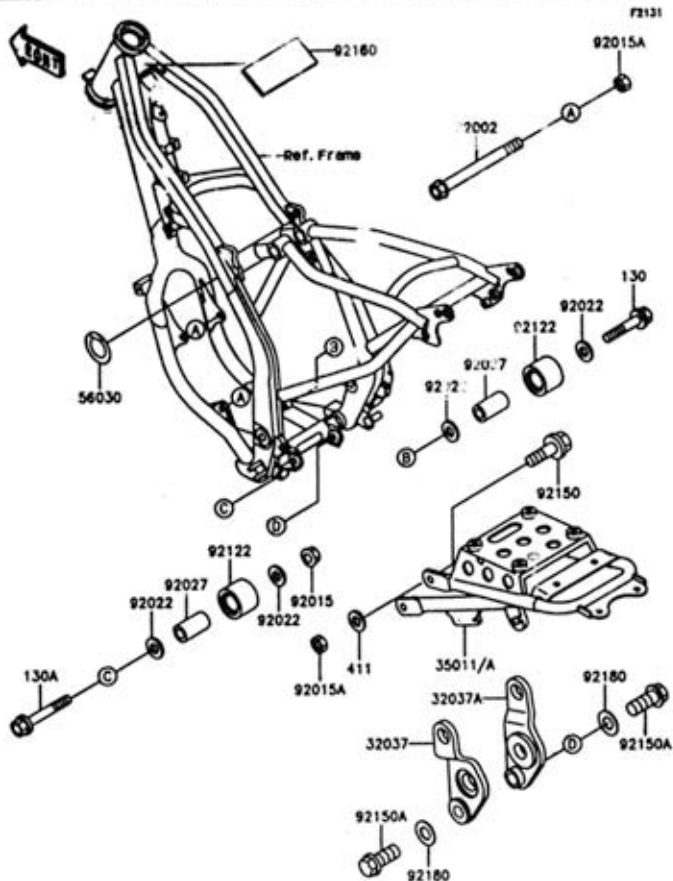
Ref. No.	Part No.	Description	Spec Code	Quantity-KDX125	
				'92	A3
32160	32160-1230-CC	FRAME-COMP,L.GREEN			
	L		EU		1
32160A	32160-1230-W1	FRAME-COMP,BLUE NO.1			
	L		EU		1
32160B	32160-1232-CC	FRAME-COMP,L.GREEN			
	L		NR		1
32160C	32160-1232-W1	FRAME-COMP,BLUE NO.1			
	L		NR		1
46098	46098-018	CAP,STEERING STEM			1
92015	92015-1759	NUT,POP,6MM			1
92047	92047-014	CONE,STEERING STEM BEARING			1
92048	92048-009	RACE,STEERING STEM BEARING			1
92049	92049-1162	SEAL-OIL,XMHE36X52X4J			1
92090	92090-022	NUT,STEERING LOCK,25MM			1
92116	92116-1009	BEARING-ROLLER,HR320/28XJ			1
600	600A0600	BALL-STEEL,3/16"			23

This catalog covers:
 '92 KDX125-A3 Chassis

GRID NO.

D-4

This grid covers:
Frame Fitting



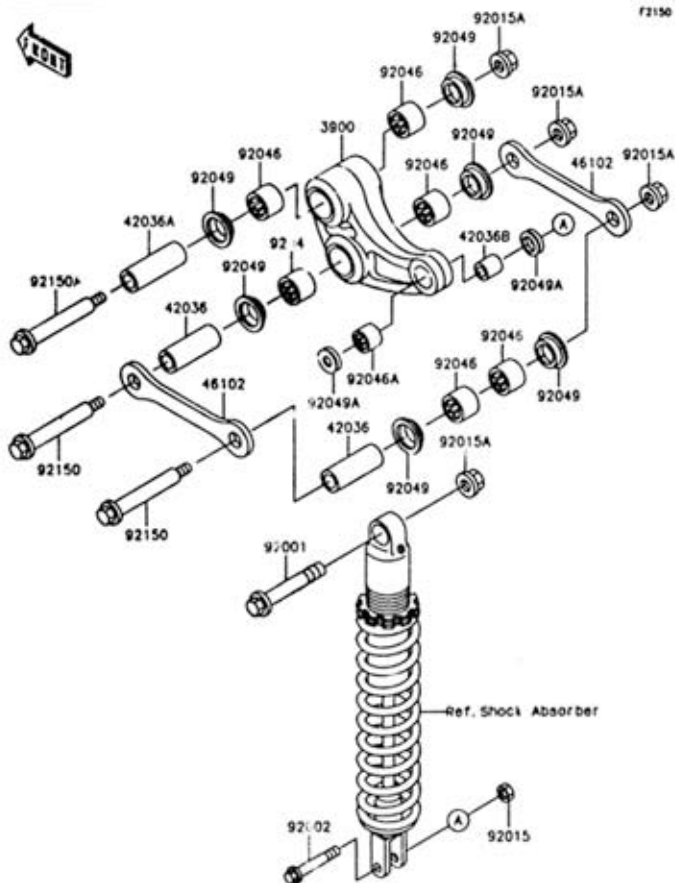
Ref. No.	Part No.	Description	Spec Code	Quantity-KDX125			
				92	A3		
32037	32037-1548	BRACKET-SHOCKABSORBER,LWR,LH		1			
32037A	32037-1549	BRACKET-SHOCKABSORBER,LWR,RH		1			
35011	35011-1606-CC	STAY,REAR FRAME,L,GREEN		1			
35011A	35011-1606-W1	STAY,REAR FRAME,BLUE NO.1		1			
56030	56030-1115	LABEL,IGNITION		1			
92002	92002-1491	BOLT,FLANGED,10X105		2			
92015	92015-1143	NUT,8MM		1			
92015A	92015-1429	NUT,LOCK,10MM		6			
92022	92022-1561	WASHER,8.5X20X1.6		4			
92027	92027-1670	COLLAR,CHAIN ROLLER		2			
92122	92122-1153	ROLLER,CHAIN GUIDE		2			
92150	92150-1174	BOLT,FLANGED,10X30		4			
92150A	92150-1359	BOLT,FLANGED,12X27		2			
92160	92160-1073	DAMPER		1			
92180	92180-1060	SHIM,12.5X24X0.5		2			
130	130G0840	BOLT-FLANGED,8X40		1			
130A	130G0855	BOLT-FLANGED,8X55		1			
411	411B1000	WASHER-PLAIN,10MM		4			

This catalog covers:
 '92 KDX125-A3 Chassis

GRID NO.

D-6

This grid covers:
Suspension



f2150

Ref. No.	Part No.	Description	Spec Code	Quantity-KDX125		
				92	A3	
3900	39007-1185	ARM-SUSP,UNI TRAK		1		
4203	12036-1245	SLEEVE,15X22X57		2		
42036A	42036-1246	SLEEVE,15X22X63		1		
42036B	42036-1248	SLEEVE,10X16X19		1		
46102	46102-1278	ROD,SUSPENSION		2		
92001	92001-1986	BOLT,FLANGED,12X75		1		
92002	92002-1675	BOLT,10X40		1		
92015	92015-1429	NUT,LOCK,10MM		1		
92015A	92015-1433	NUT,FLANGED,12MM		4		
92046	92046-1162	BEARING-NEEDLE,F-2220		6		
92046A	92046-1192	BEARING-NEEDLE,16BM2212		1		
92049	92049-1254	SEAL-OIL,MHA22 28 5.7F		6		
92049A	92049-1330	SEAL-OIL		2		
92150	92150-1213	BOLT,ROD,12X85		2		
92150A	92150-1337	BOLT,ROD,12X93		1		

This catalog covers:

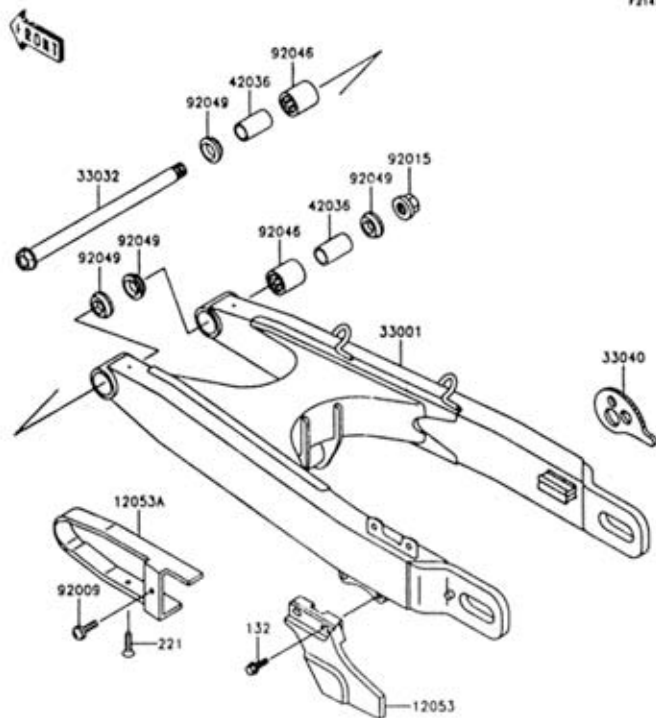
'92 KDX125-A3 Chassis

GRID NO.

D-5

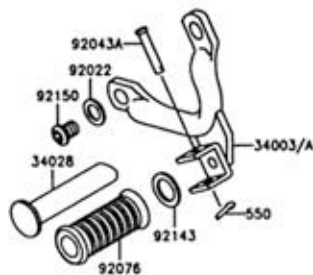
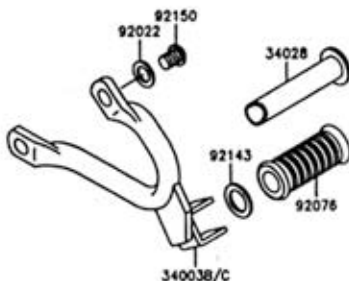
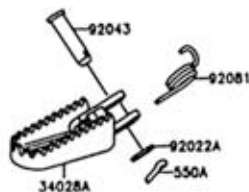
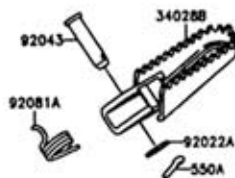
This grid covers:

Swing Arm



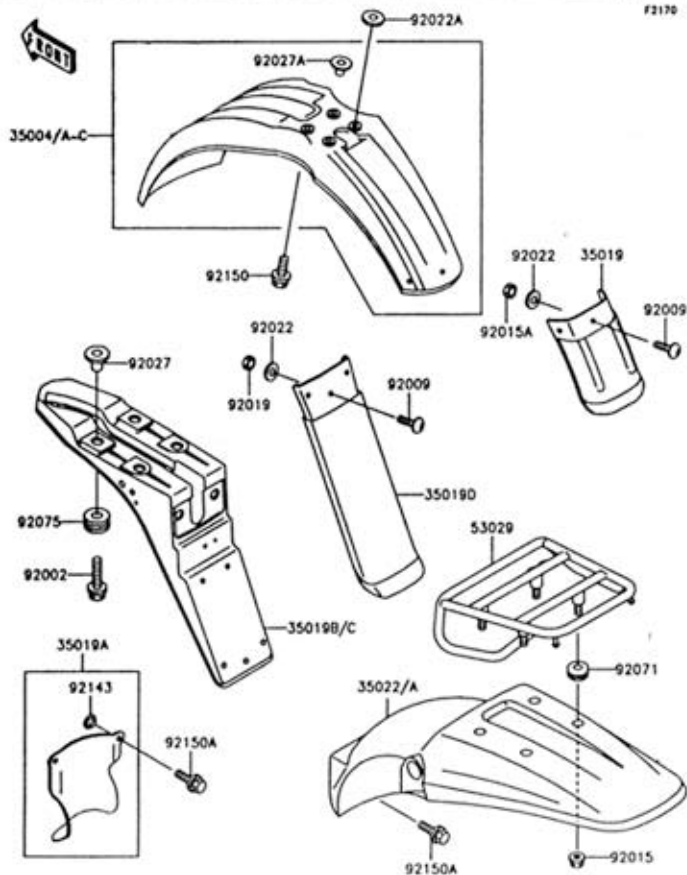
F2141

Ref. No.	Part No.	Description	Spec Code	Quantity-KDX125	
				'92	A3
12053	12053-1104	GUIDE-CHAIN,RR		1	
12053A	12053-1293	GUIDE-CHAIN,DRIVE,FR		1	
33001	33001-1387-CE	ARM-COMP-SWING,SILVER NO.25		1	
33032	33032-1156	SHAFT-SWING ARM		1	
33040	33040-1113	ADJUSTER-CHAIN		1	
42036	42036-1263	SLEEVE,SWING ARM,L = 48		2	
92009	92009-1288	SCREW,6X14		1	
92015	92015-1407	NUT,14MM		1	
92046	92046-1110	BEARING-NEEDLE,BM202726		2	
92049	92049-1109	SEAL-OIL,ARM,CNT		4	
132	132G0645	BOLT-FLANGED-SMALL		2	
221	221B0610	SCREW-CSK-CROS,6X10		1	



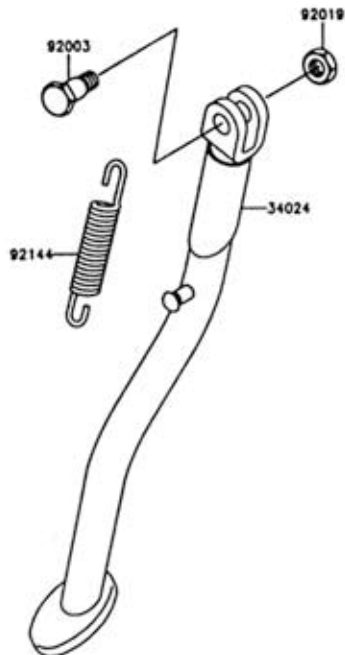
r314c

Ref. No.	Part No.	Description	Spec Code	Quantity-KDX125	
				'92	A3
34003	34003-1335-CC	HOLDER-STEP,LH,L.GREEN		1	
34003A	34003-1335-W1	HOLDER-STEP,LH,BLUE NO.1		1	
34003B	34003-1336-CC	HOLDER-STEP,RH,L.GREEN		1	
34003C	34003-1336-W1	HOLDER-STEP,RH,BLUE NO.1		1	
34028	34028-009	STEP,RR		2	
34028A	34028-1302	STEP,LH		1	
34028B	34028-1303	STEP,RH		1	
92022	92022-1829	WASHER,10.2X16X1		4	
92022A	92022-239	WASHER,10.5X20X1		2	
92043	92043-1217	PIN,10X35		2	
92043A	92043-1464	PIN,6X28		2	
92076	92076-020	DAMPER		2	
92081	92081-1606	SPRING,STEP,LH		1	
92081A	92081-1607	SPRING,STEP,RH		1	
92143	92143-1467	COLLAR,20X30X8		2	
92150	92150-1111	BOLT,SOCKET,10X16		4	
550	550D2015	PIN-COTTER,2.0X15		2	
550A	550D2018	PIN-COTTER,2.0X18		2	



F2170

Ref. No.	Part No.	Description	Spec Code	Quantity-KDX125			
				'92	A3		
35004	35004-1262-BV	FENDER-FRONT, BLUE 24					
	L		EU	1			
35004A	35004-1262-6W	FENDER-FRONT, L GREEN					
	L		EU	1			
35004B	35004-1279-BV	FENDER-FRONT, BLUE 24					
	L		NR	1			
35004C	35004-1279-6W	FENDER-FRONT, L GREEN					
	L		NR	1			
35019	35019-1002	FLAP, FENDER, FR					
	L		NR	1			
35019A	35019-1264	FLAP, RR FENDER, FR					
35019B	35019-1274	FLAP, RR FENDER, RR					
	L		EU	1			
35019C	35019-1275	FLAP, RR FENDER, RR					
	L		NR	1			
35019D	35019-1279	FLAP, RR FENDER, RR, LWR					
	L		NR	1			
35022	35022-1266-BV	FENDER-COMP-REAR, BLUE 24					
	L		NR	1			
35022A	35022-1266-6W	FENDER-COMP-REAR, L GREEN					
53029	53029-1134	CARRIER					
92002	92002-1135	BOLT, 6X25					
92009	92009-1287	SCREW, 6X14, WHITE					
	L		NR	6			
92015	92015-1143	NUT, 8MM					
	L		NR	4			
92015A	92015-1153	NUT, CAP, 6M/M					
	L		NR	3			
92019	92019-008	NUT, LOCK, 6MM					
	L		NR	3			
92022	92022-024	WASHER, 7X16X1.2					
	L		NR	6			
92022A	92022-125	WASHER, 6.5X20X1.6					
	L		NR	2			
92027	92027-1183	COLLAR					
	L		NR	4			
92027A	92027-1936	COLLAR					
92071	92071-1210	GROMMET					
	L		NR	4			
92075	92075-1690	DAMPER					
	L		NR	4			
92143	92143-1196	COLLAR					
	L		NR	2			
92150	92150-1339	BOLT, 6X20					
	L		NR	4			
92150A	92150-1340	BOLT, 6X14					
	L		NR	4			



F3190

Ref. No.	Part No.	Description	Spec Code	Quantity-KDX125			
				'92			
34024	34024-1267	STAND-SIDE					1
92003	92003-157	BOLT,SIDE STAND					1
92019	92019-021	NUT,LOCK,10MM					1
92144	92144-1017	SPRING,SIDE STAND					1

This catalog covers:
 '92 KDX125-A3 Chassis

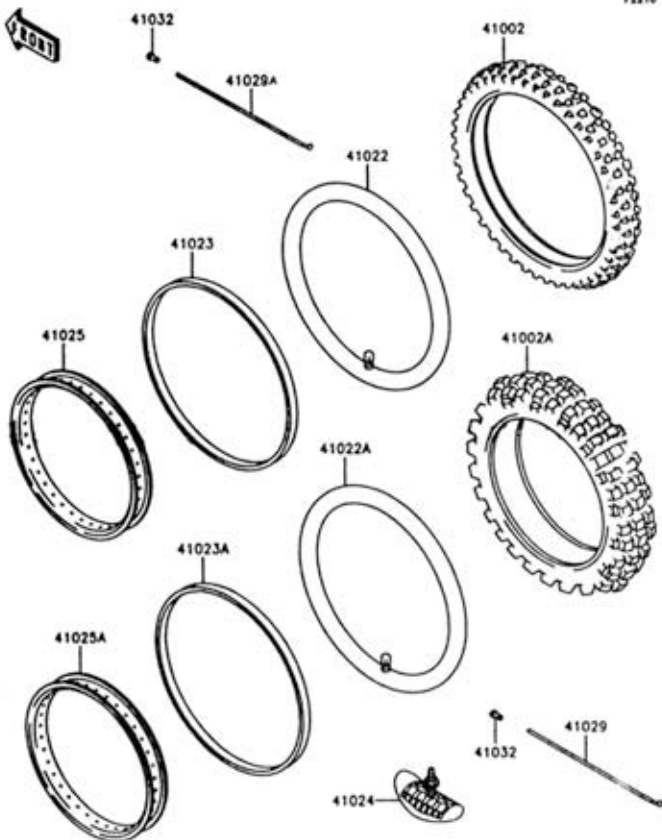
GRID NO.

D-10

This grid covers:

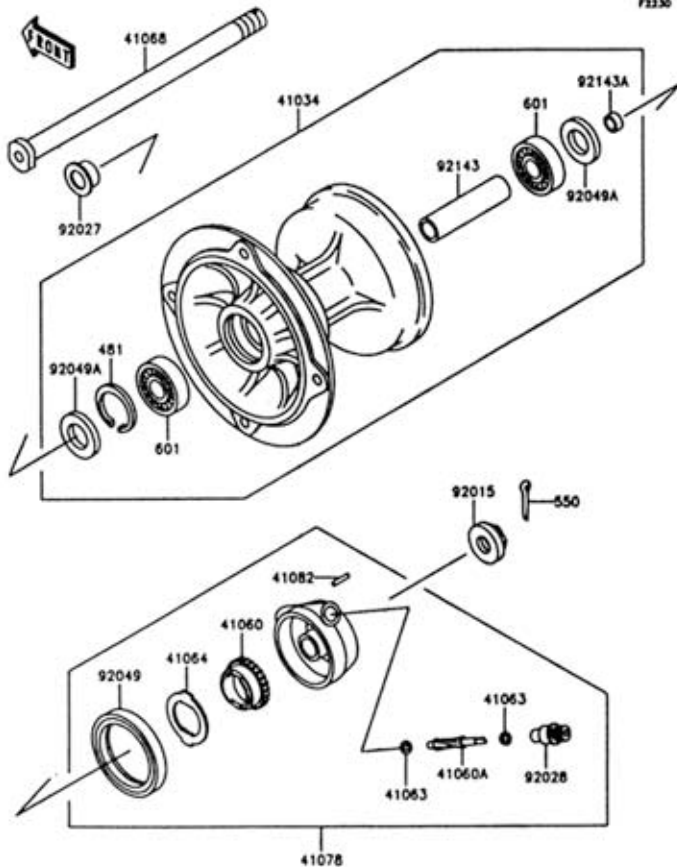
Tire

F3210



Ref. No.	Part No.	Description	S ec Code	Quantity-KDX125			
				'92			
41002	41002-1785	TIRE,FR,70/100-21 44P,TW49(BS)		1			
41002A	41002-1786	TIRE,RR,4.10-18 4PR,TW50(BS)		1			
41022	41022-1144	TUBE-1 RE,70/100-21(BS)		1			
41022A	41022-1145	TUBE-T RE,4.10-18(BS)		1			
41023	41023-1009	BAND-1 IM,X-21(BS)		1			
41023A	41023-1086	BAND-R M,4.10-18(BS)		1			
41024	41024-011	STOPPER-RIM,1.85-M(DUNLOP) (OPTION)		1			
41025	41025-1246	RIM,FR, 60X21		1			
41025A	41025-1247	RIM,RR,1.85X18		1			
41029	41029-1199	SPOKE-INNER,RR,189MMX160D		36			
41029A	41029-1206	SPOKE-INNER,FR,228MMX165D		36			
41032	41032-1061	NIPPLE-SPOKE		72			

F2330



Ref. No.	Part No.	Description	Spec Code	Quantity - KDX125	
				'92	'97
					A3
41034	41034-1218	DRUM-ASSY, FRONT BRAKE			1
41060	41060-1101	GEAR-METER SCREW, 24T			1
	41060-1146	PI/NON PLASTICO			1
41060A	41060-1102	GEAR-METER SCREW, 8T			1
41063	41063-001	WHASER,5.1X9X0.4			2
41064	41064-1051	RECEIVER-SPEEDOMETER			1
41068	41068-1309	AXLE, FR			1
41078	41078-1080	CASE-ASSY-METER GEAR			1
41078A	41078-1096	CASE ASSY			1
41082	41082-001	PIN, SPRING			1
92015	92015-1407	NUT, 14MM			1
92027	92027-1959	COLLAR, L=12			1
92028	92028-1066	BUSHING, SPEEDOMETER			1
92049	92049-1172	SEAL-OIL, METER GEAR CASE			1
92049A	92049-1176	SEAL-OIL, MH20354.5			2
92143	92143-1452	COLLAR, FR BRAKE DRUM,L=70			1
92143A	92143-1453	COLLAR, FR AXLE, L=5			1
481	481J3500	CIRCLIP-TYPE-C,35MM			1
550	550D3025	PIN-COTTER, 3.0X25			1
601	601B6202UG	BEARING-BALL, #6202UG			2

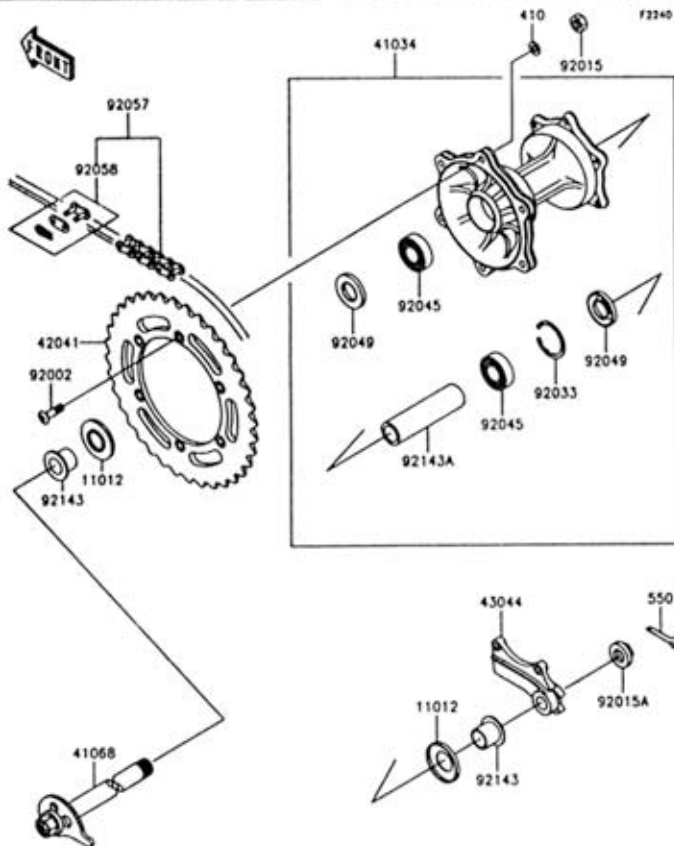
This catalog covers.
 '92 KDX125-A3 Chassis

GRID NO.

D-12

This grid covers:

Rear Hub



F3240

Ref. No.	Part No.	Description	Spec Code	Quantity-KDX125	
				'92	A3
11012	11012-1581	CAP_REAR AXLE		2	
41034	41034-1216	DRUM_ASSY_REAR BRAKE		1	
41068	41068-1330	AXLE_RR		1	
42041	42041-1350	SPROCKET-HUB_52T		1	
43044	43044-1092	HOLDER-COMP-CALIPER		1	
92002	92002-1387	BOLT_8MM		6	
92015	92015-1124	NUT_LOCK_8MM		6	
92015A	92015-1724	NUT_FLANGED_20MM		1	
92033	92033-1041	RING-SNAP_42MM		1	
92045	92045-1239	BEARING-BALL_6004X8JRLX2/3A		2	
92049	92049-1203	SEAL-OIL_BJNC2 25425		2	
92057	92057-1331	CHAIN_DRIVE_EK428SH-RX132L		1	
92058	92058-1058	JOINT-CHAIN		1	
92143	92143-1356	COLLAR_RR AXLE,L = 20		2	
92143A	92143-1402	COLLAR_RR BRAKE DRUM,L = 105		1	
410	410B0800	WASHER-PLAIN-SMALL_8MM		6	
550	550D3025	PIN-COTTER_3.0X25		1	

This catalog covers:
 '92 KDX125-A3 Chassis

GRID NO.

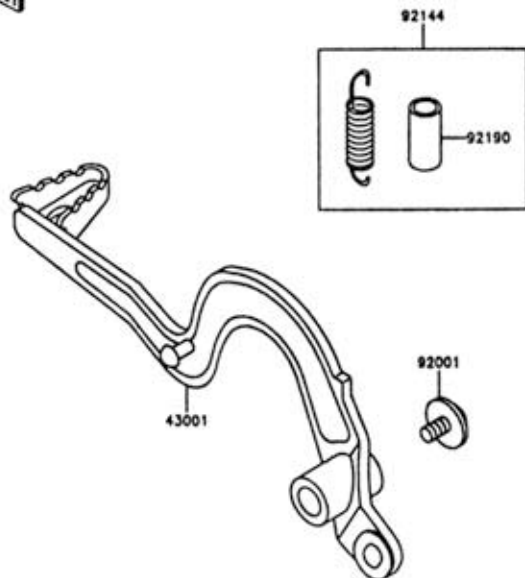
D-13

This grid covers:

Brake Pedal

F3280

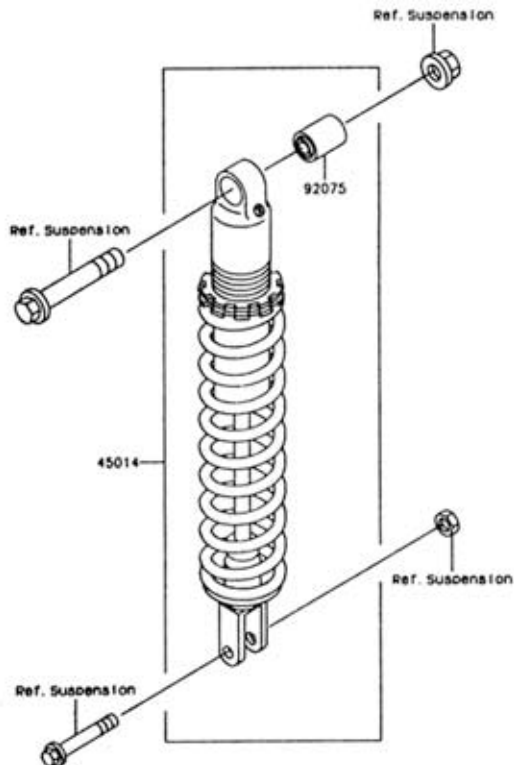
FRONT

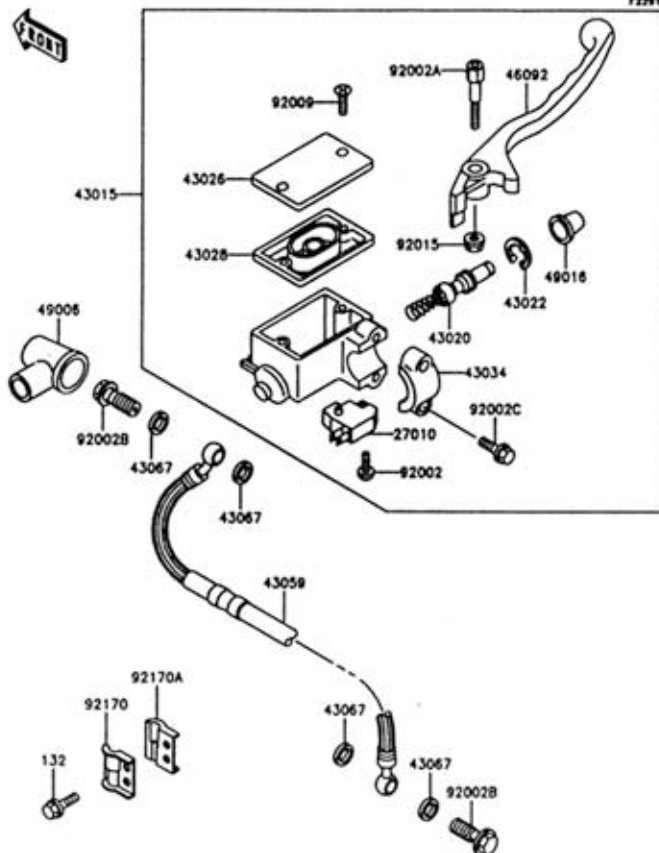


Ref. No.	Part No.	Description	Spec Code	Quantity-KDX125		
				'92	A3	
43001	43001-1300	LEVER-BRAKE, PEDAL				1
92001	92001-1034	BOLT, FLANGED, 6X10				1
92144	92144-1632	SPRING, BRAKE PEDAL RETURN				1
92190	92190-1252	TUBE, 12X15X18				1

F2280

Ref. No.	Part No.	Description	Spec Code	Quantity-KDX125		
				'92		
45014	45014-1467	SHOCKABSORBER		1		
92075	92075-1497	DAMPER,SHOCKABSORBER		1		





Ref. No.	Part No.	Description	Spec Code	Quantity-KDX125	
				92	A3
27010	27010-1170	SWITCH,BRAKE		1	
43015	43015-1476	CYLINDER-ASSY-MASTER,FR		1	
43020	43020-1098	PISTON-COMP-BRAKE		1	
43022	43022-1010	STOPPER-BRAKE,PISTON		1	
43026	43026-1074	CAP-BRAKE		1	
43028	43028-1061	DIAPHRAGM		1	
43034	43034-1016	HOLDER-BRAKE,MASTER CYLINDER		1	
43059	43059-1690	HOSE-BRAKE,FR		1	
43067	43067-001	WASHER,10.5X15X1.5		4	
46092	46092-1140	LEVER-GRIP,FRONT BRAKE		1	
49006	49006-1040	BOOT,DUST		1	
49016	49016-1044	COVER-SEAL,MASTER CYLINDER		1	
92002	92002-1323	BOLT,SCREW,4X12		1	
92002A	92002-1879	BOLT,L,LEVER SET		1	
92002B	92002-1888	BOLT,OIL,L = 23		2	
92002C	92002-1894	BOLT		2	
92009	92009-1458	SCREW,4MM		2	
92015	92015-1233	NUT,FLANGED,6MM		1	
92170	92170-1231	CLAMP,BRAKE HOSE,OUTSIDE		1	
92170A	92170-1232	CLAMP,BRAKE HOSE,INSIDE		1	
132	132G0616	BOLT-FLANGED-SMALL		2	

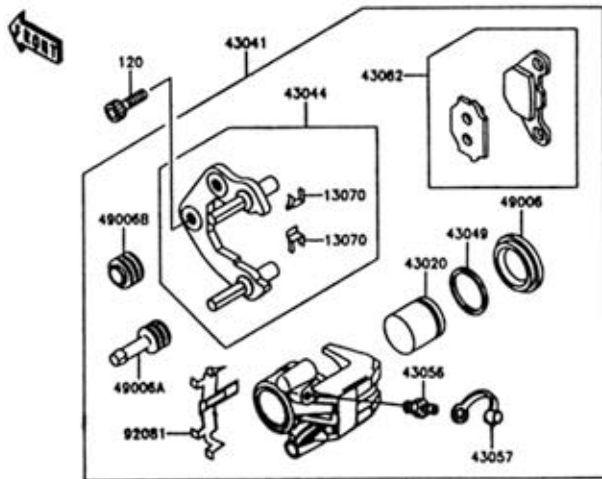
This catalog covers:
 '92 KDX125-A3 Chassis

GRID NO.

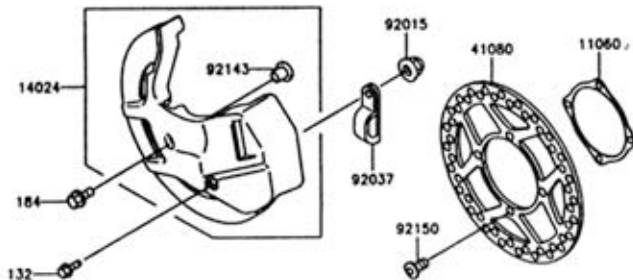
E-4

This grid covers:
 Front Caliper

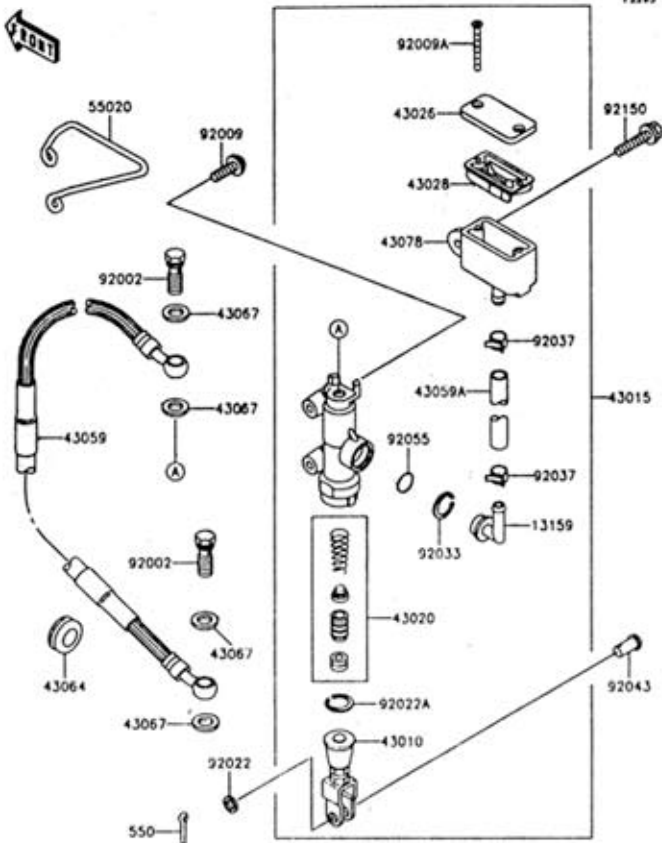
72292



Ref. No.	Part No.	Description	Spec Code	Quantity-KDX125	
				'92	A3
11060	11060-1163	GASKET,DISC PLATE		1	
13070	13070-1183	GUIDE,PAD STOPPER		2	
14024	14024-1861-6F	COVER,DISC,P.WHITE		1	
41080	41080-1266	DISC,FR		1	
43020	43020-1091	PISTON-COMP-BRAKE		1	
43041	43041-1446	CALIPER-ASSY,FR		1	
43044	43044-1097	HOLDER-COMP-CALIPER,FR		1	
43049	43049-1016	PACKING		1	
43056	43056-1054	BREATHER-BRAKE		1	
43057	43057-003	CAP-BREATHER		1	
43082	43082-1079	PAD-ASSY-BRAKE		1	
49006	49006-1053	BOOT,PISTON SEAL		1	
49006A	49006-1054	BOOT,CALIPER		1	
49006B	49006-1055	BOOT,CALIPER		1	
92015	92015-1153	NUT,CAP,6M/M		1	
92037	92037-1608	CLAMP		1	
92081	92081-1341	SPRING		1	
92143	92143-1196	COLLAR		2	
92150	92150-1423	BOLT,DISC PLATE,8X35		2	
120	120P0835	BOLT-SOCKET,8X35		2	
132	132G0625	BOLT-FLANGED-SMALL		1	
184	184B0812	BOLT-UPSET-WP-SMALL		1	

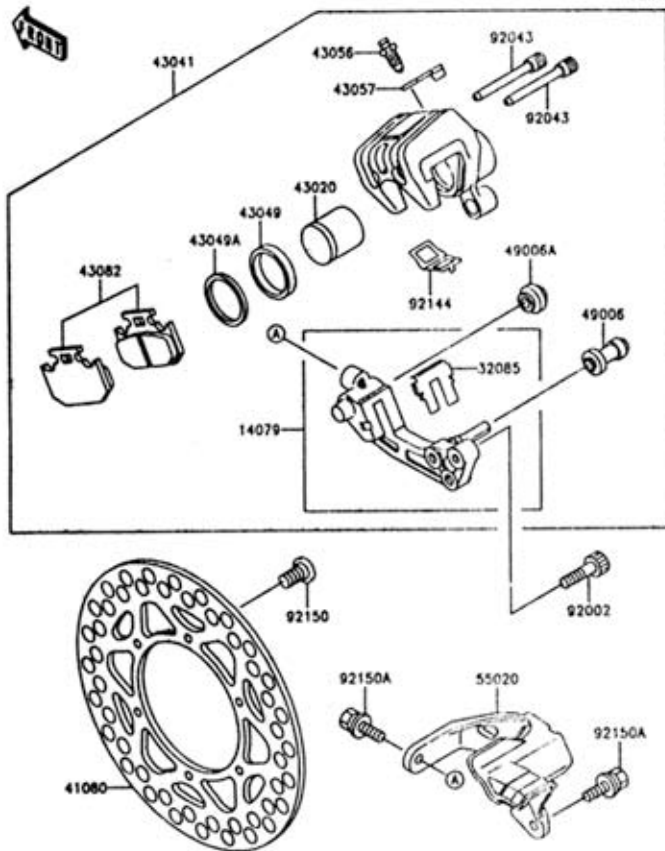


F3293



Ref. No.	Part No.	Description	Spec Code	Quantity-KDX125		
				'92	A3	
13159	13159-1058	CONNECTOR		1		
43010	43010-1068	ROD-ASSY-BRAKE		1		
43015	43015-1515	CYLINDER-ASSY-MASTER,RR		1		
43020	43020-1094	PISTON-COMP-BRAKE		1		
43026	43026-1075	CAP-BRAKE		1		
43028	43028-1067	DIAPHRAGM		1		
43059	43059-1570	HOSE-BRAKE,RR		1		
43059A	43059-1715	HOSE-BRAKE,RR MASTER CYLINDER		1		
43064	43064-007	GROMMET,HOSE CLAMP		2		
43067	43067-001	WASHER,10.5X15X1.5		4		
43078	43078-1122	RESERVOIR		1		
55020	55020-1381	GUARD,RESERVOIR TANK		1		
92002	92002-1888	BOLT,OIL,L = 23		2		
92009	92009-1287	SCREW,6X14,WHITE		2		
92009A	92009-1596	SCREW		2		
92022	92022-1028	WASHER,8.5X13X1		1		
92022A	92022-1601	WASHER,CIRCRIP		1		
92033	92033-1186	RING-SNAP,20.5MM		1		
92037	92037-1710	CLAMP		2		
92043	92043-1039	PIN		1		
92055	92055-1251	RING-O,MASTER CYLINDER		1		
92150	92150-1507	BOLT,FLANGED,6X25		1		
550	550D2015	PIN-COTTER,2.0X15		1		

F2294



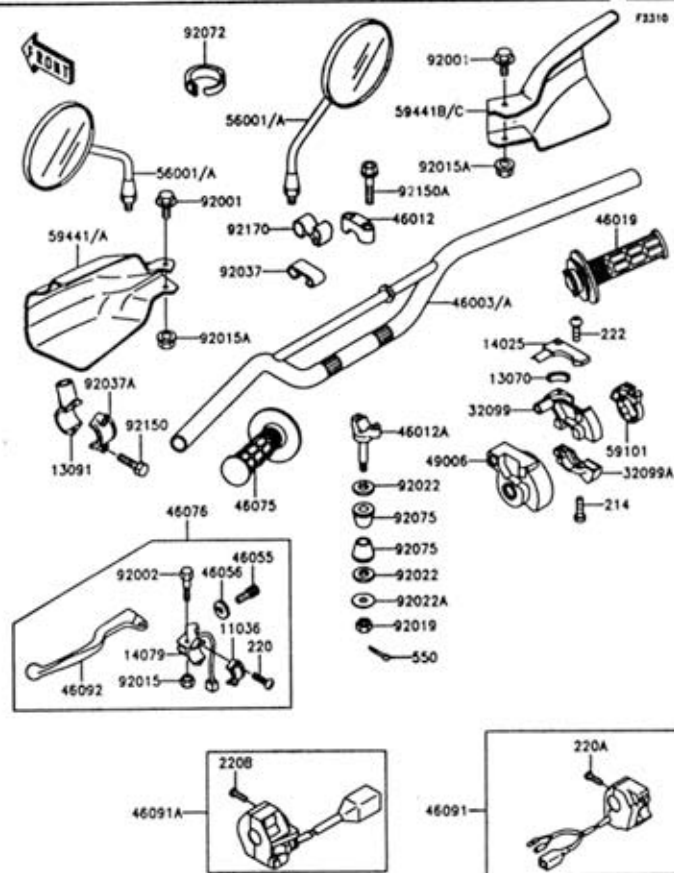
Ref. No.	Part No.	Description	Spec Code	Quantity-KDX125	
				'92	A3
14079	14079-1070	HOLDER-ASSY,REAR CALIPER		1	
32085	32085-1315	STOPPER,PAD		1	
41080	41080-1291	DISC,RR		1	
43020	43020-1088	PISTON-COMP-BRAKE		1	
43041	43041-1430	CALIPER-ASSY,RR		1	
43049	43049-1060	PACKING,PISTON SEAL		1	
43049A	43049-1061	PACKING,PISTON SEAL		1	
43056	43056-1055	BREA DIER-BRAKE		1	
43057	43057-1001	CAP-BREATHER		1	
43082	43082-1090	PAD-ASSY-BRAKE		1	
49006	49006-1088	BOOT,CALIPER		1	
49006A	49006-1242	BOOT,CALIPER		1	
55020	55020-1323-6F	GUARD,CALIPER,P.WHITE		1	
92002	92002-1442	BOLT,SOCKET,8X25		2	
92043	92043-1416	PIN,HUNGER		2	
92144	92144-1364	SPRING,PAD		1	
92150	92150-1423	BOLT,DISC PLATE,8X15		6	
92150A	92150-1506	BOLT,FLANGED,6X16		2	

This catalog covers:
'92 KDX125-A3 Chassis

GRID NO.

E-7

This grid covers:
Handlebar (1/2)



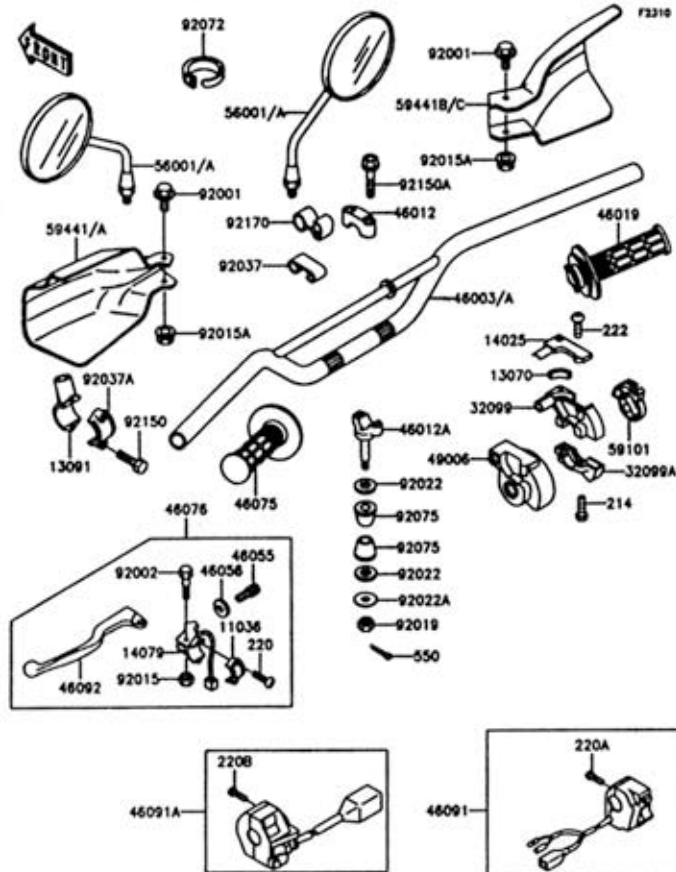
Ref. No.	Part No.	Description	Spec Code	Quantity-KDX125	
				'92	A3
11036	11036-1297	RACKET-A LEVER HOLDER		1	
13070	13070-1074	GUIDE THROTTLE		1	
13091	1 091 1718	HOLDER, MIRROR		2	
14025	1 025-1646	COVER, THROTTLE CASE UPP		1	
14079	14079-1069	HOLDER-ASSY, CLUTCH		1	
32099	32099-1036	ASE, THROTTLE UPP		1	
32099A	32099-1044	ASE, THROTTLE LWR		1	
46003	46003-1338 CE	HANDLE, SILVER NO.25		1	
46003A	46003 338-W1	HANDLE, BLUE NO.1		1	
46012	46012-1191	HOLDER-HANDLE		2	
46012A	46012-1211	HOLDER-HANDLE, LWR		2	
46019	46019 1054	GRIP-ASSY THROTTLE		1	
46055	46055-009	SCREW, CABLE ADJUST, 8MM		1	
46056	46056-006	NUT, CABLE ADJUST		1	
46075	46075-1024	GRIP, LH		1	
46076	46076-1167	LEVER-ASSY-GRIP CLUTCH		1	
46091	46091-1550	HOUSING-ASSY-CONTROL, RH		1	
46091A	46091-1551	HOUSING-ASSY-CONTROL, LH		1	
46092	46092-1159	LEVER-GRIP, CLUTCH		1	
49006	49006-1097	BOOT, THROTTLE CASE		1	
56001	56001-1285	MIRROR-ASSY		NR	2
56001A	56001-1286	MIRROR-ASSY		EU	2
59101	59101-1110	REEL THROTTLE		1	
59441	59441-1089-BV	COVER-HANDLE, LH, BLUE 24		1	
59441A	59441-1089-6W	COVER-HANDLE, LH, L. GREEN		1	
59441B	59441-1090-BV	COVER-HANDLE, RH, BLUE 24		1	
59441C	59441-1090-6W	COVER-HANDLE, RH, L. GREEN		1	
92001	92001-1034	BOLT, FLANGED, 6X10		2	
92002	92002-1880	BOLT, LEVER SET		1	
92015	92015-1191	NUT, LOCK, 6MM, BLACK		1	
92015A	92015-1603	NUT, LOCK, 6MM		2	
92019	92019-021	NUT, LOCK, 10MM		2	
92022	92022-105	WASHER, 12.5X30X0.8		4	
92022A	92022-1068	WASHER, 10.2X28X2		2	
92037	92037-1529	CLAMP, BRAKE HOSE		1	
92037A	92037-1621	CLAMP, LEVER HOLDER		2	
92072	92072-1293	BAND, L = 140		4	
92075	92075-1776	DAMPER		4	

This catalog covers:
 '92 KDX125-A3 Chassis

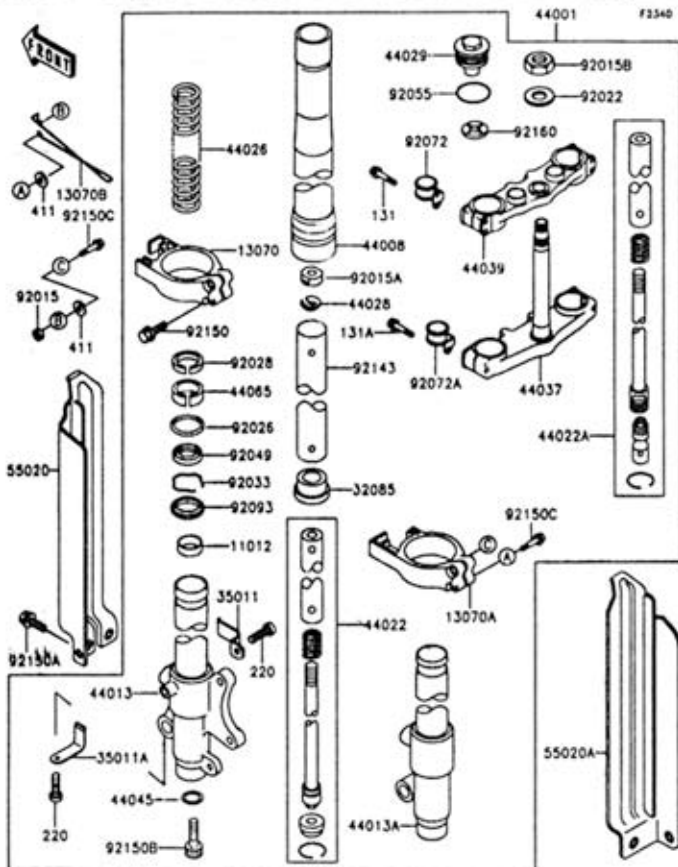
GRID NO.

E-8

This grid covers:
Handlebar(2/2)



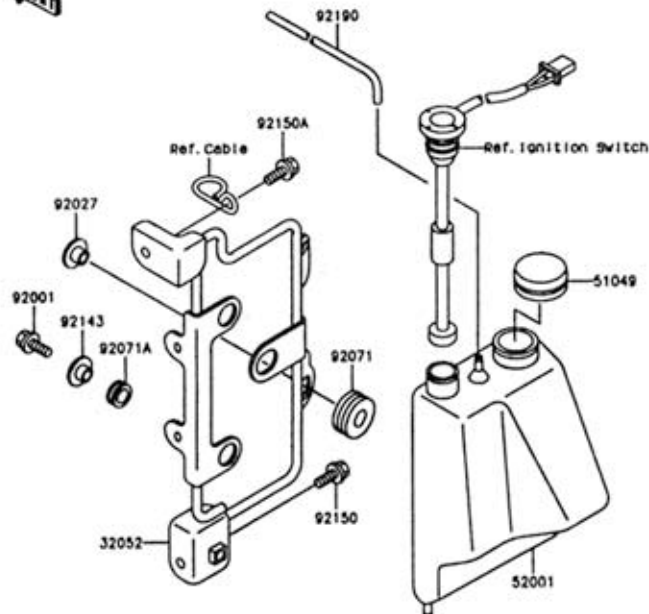
Ref. No.	Part No.	Description	Spec Code	Quantity-KDX125	
				'92	A3
92150	92150-1389	BOLT,5X20			4
92150A	92150-1455	BOLT,FLANGED,8X30			4
92170	92170-1255	CLAMP,BRAKE HOSE			1
214	214C0518	SCREW-PAN + -			2
220	220C0514	SCREW-PAN-CROS			2
220A	220C0525	SCREW-PAN-CROS			2
220B	220C0535	SCREW-PAN-CROS			2
222	222E0412	SCREW-CSK-RD-CROS			2
550	550D2020	PIN-COTTER,2.0X20			2



Ref. No.	Part No.	Description	Spec Code	Quantity-KDX125	
				'92	A3
11012	11012-1761	CAP			2
13070	13070-1222	GUIDE-FORK,LH			1
13070A	13070-1223	GUIDE-FORK,RH			1
13070B	13070-1226	GUIDE-CABLE			1
32085	32085-1327	STOPPER			2
35011	35011-15-6	STAY			1
35011A	35011-1547	STAY			1
44001	44001-1829	FORK-FRONT			1
44008	44008-1010	PIPE-FORK OUTER			2
44013	44013-1329	PIPE-FORK INNER,LH			1
44013A	44013-1330	PIPE-FORK INNER,RH			1
44022	44022-1259	CYLINDER-FORK,LH			1
44022A	44022-1260	CYLINDER-FORK,RH			1
44028	44028-1472	SPRING-FRONT FORK			2
44028	44028-1078	GUIDE-FORK SPRING			2
44029	44029-1145	SEAT-FORK SPRING			2
44037	44037-1301	HOLDER-FORK UNDER			1
44039	44039-1228	HOLDER-FORK UPPER			1
44045	44045-051	GASKET-FORK CYLINDER BOLT			2
44065	44065-1100	BUSHING-FRONT FORK			2
55020	55020-1397	GUARD,FORK,LH			1
55020A	55020-1398	GUARD,FORK,RH			1
92015	92015-1224	NUT,FORK TOP			1
92015A	92015-1752	NUT,LOCK,FLANGED,5MM			1
92015B	92015-1832	NUT			2
92022	92022-1385	WASHER,FORK TOP			1
92026	92026-1276	SPACER,FORK OUTER			2
92028	92028-1614	BUSHING			2
92033	92033-1222	RING-SNAP,FORK OUTER			2
92049	92049-1370	SEAL-OIL,FORK OUTER TUBE			2
92055	92055-1485	RING-O			2
92072	92072-1271	BAND			1
92072A	92072-1278	BAND			1
92093	92093-1312	SEAL,FORK OUTER TUBE			2
92143	92143-1447	COLLAR			2
92150	92150-1270	BOLT,5X35			2
92150A	92150-1340	BOLT,6X14			5
92150B	92150-1432	BOLT			2
92150C	92150-1434	BOLT,FLANGED,5X40			2
92160	92160-1243	DAMPER			2

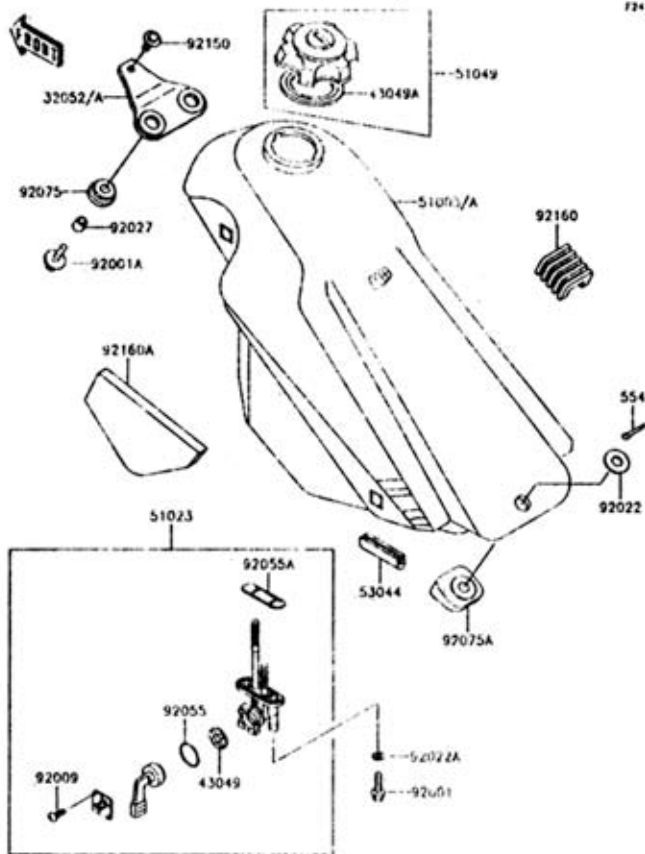


F2450



Ref. No.	Part No.	Description	Spec Code	Quantity-KDX125		
				'92		
				A3		
32052	32052-1305	BRACKET-TANK,OIL			1	
51049	51049-1004	CAP-TANK,OIL			1	
52001	52001-1080	TANK-OIL			1	
92001	92001-1826	BOLT,6X20			3	
92027	92027-1166	COLLAR			1	
92071	92071-1043	GROMMET			1	
92071A	92071-1115	GROMMET			3	
92143	92143-1019	COLLAR,L=7,4			3	
92150	92150-1435	BOLT,6X12			1	
92150A	92150-1506	BOLT,FLANGED,6X16			1	
92190	92190-1274	TUBE			1	

72410



Ref. No.	Part No.	Description	Spec Code	Quantity-KDX125		
				'92	A3	
32052	32052-1301-CC	BRACKET-TANK_FR,L_GREEN		1		
32052A	32052-1301-W1	BRACKET-TANK_FR,BLUE NO.1		1		
43049	43049-1017	PACKING,FUEL TAP LEVER		1		
43049A	43049-1072	PACKING,FUEL TANK CAP		1		
51003	51003-5419-7F	TANK-COMP-FUEL,L.GREEN		1		
51003A	51003-5422-1DB	TANK-COMP-FUEL,BLUE 24		1		
51023	51023-1170	TAP-ASSY,FUEL		1		
51049	51049-1095	CAP-TANK,FUEL		1		
53044	53044-1200	TRIM,L=100		1		
92001	92001-1091	BOLT,6X20		2		
92001A	92001-1773	BOLT,6X20		2		
92009	92009-1123	SCREW,3X5		2		
92022	92022-1137	WASHER,10.5X24X1.6		1		
92022A	92022-183	WASHER,6.2X11X1.5		2		
92027	92027-1210	COLLAR,6.8X10X11.5		2		
92055	92055-1111	RING-O,FUEL TAP LEVER		1		
92055A	92055-1112	RING-O,FUEL TAP PACKING		1		
92075	92075-112	DAMPER		2		
92075A	92075-1831	DAMPER		1		
92150	92150-1340	BOLT,6X14		1		
92160	92160-1171	DAMPER,FUEL TANK		2		
92160A	92160-1258	DAMPER,FUEL TANK		1		
554	554A1000	PIN-SNAP,10MM		1		

This catalog covers:
'92 KDX125-A3 Chassis

GRID NO.

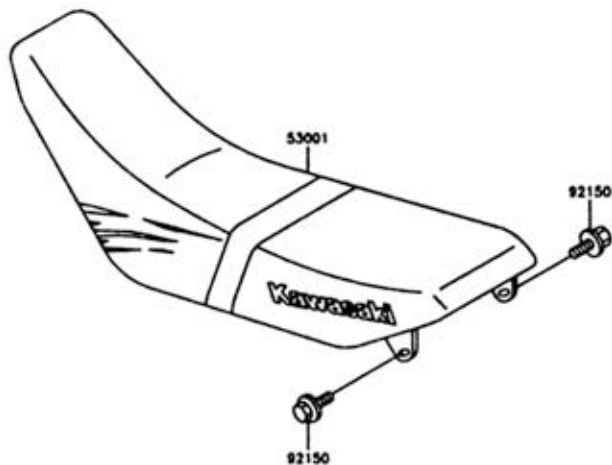
E-13

This grid covers:
Seat



F2818

Ref. No.	Part No.	Description	Spec Code	Quantity-KDX125	
				'92	A3
53001	53001-1674-MY	SEAT-ASSY,DUAL,W/BAND,BLUE		1	
92150	92150-1339	BOLT,6X20		2	



This catalog covers:
 '92 KDX125-A3 Chassis

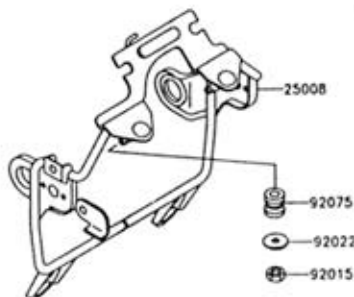
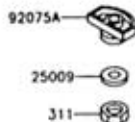
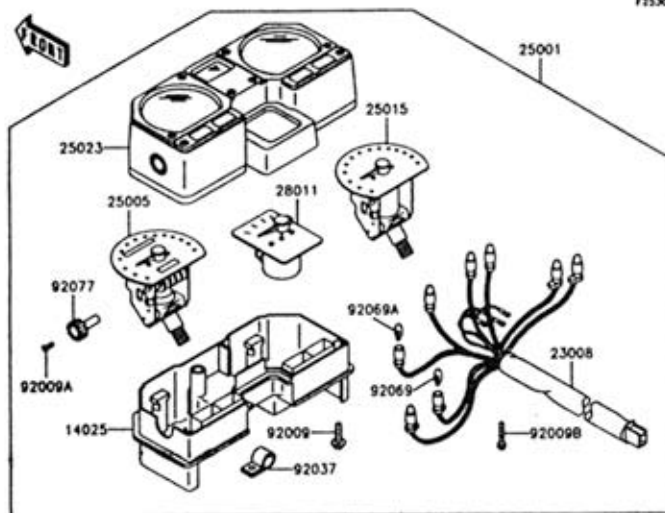
GRID NO.

E-14

This grid covers:

Meter

F1536



Ref. No.	Part No.	Description	Spec Code	Quantity-KDX125		
				'92	A3	
14025	14025-1817	COVER,METER CASE,LWR			1	
23008	23008-1496	SOCKET-ASSY,METER			1	
25001	25001-1881	METER-ASSY,KPH			1	
25005	25005-1513	SPEEDOMETER,KPH			1	
25008	25008-1189	BRACKET-METER			1	
25009	25009-004	WASHER,5.2X16X1.2			2	
25015	25015-1313	TACHOMETER,X1000R/MIN			1	
25023	25023-1143	COVER-METER CASE,UPP			1	
28011	28011-1125	METER,TEMP			1	
92009	92009-1158	SCREW,4X16,BLACK			4	
92009A	92009-1172	SCREW,2X6,BLACK			1	
92009B	92009-1293	SCREW,3X22			3	
92015	92015-1391	NUT,6MM			2	
92022	92022-125	WASHER,6.5X20X1.6			2	
92037	92037-1479	CLAMP,METER,SOCKET ASSY			1	
92069	92069-1007	BULB,12V 3.4W			4	
92069A	92069-1059	BULB,12V 1.7W			4	
92075	92075-024	DAMPER			2	
92075A	92075-1581	DAMPER,METER BRACKET			2	
92077	92077-1054	KNOB,METER			1	
311	311C0500	NUT-HEX				

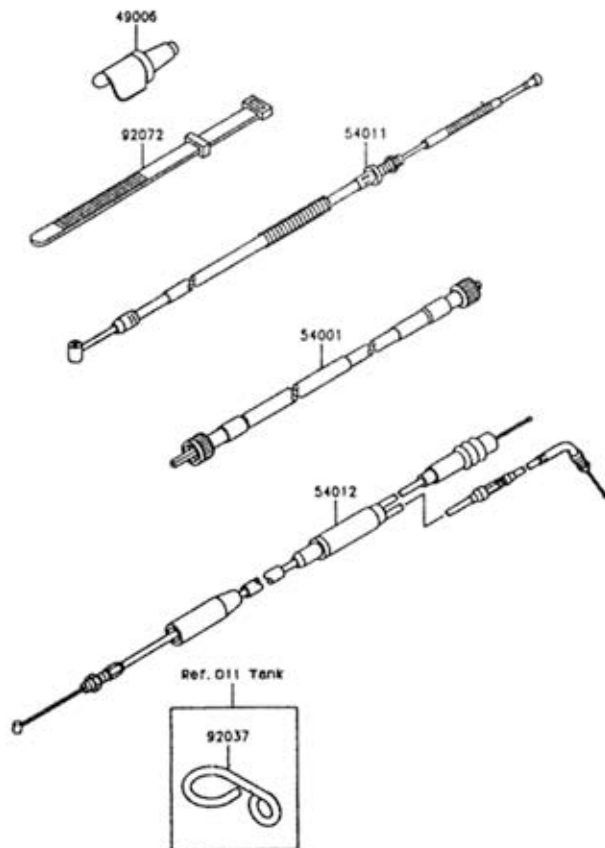
This catalog covers:
 '92 KDX125-A3 Chassis

GRID NO.

F-3

This grid covers:
Cable

F3540



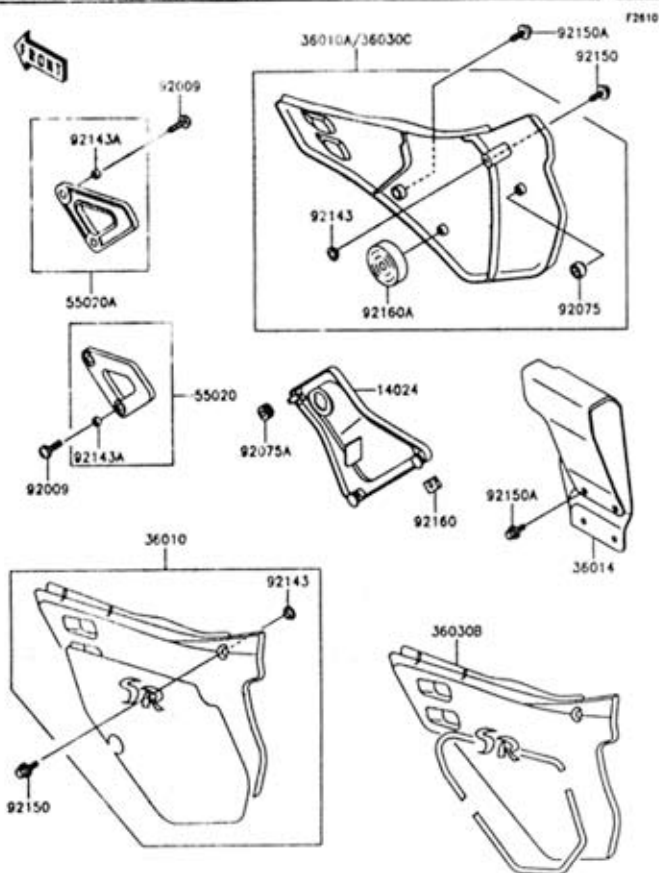
Ref. No.	Part No.	Description	Spec Code	Quantity-KDX125		
				'92	'97	
49006	49006-1189	BOOT				1
54001	54001-1167	CABLE-SPEEDOMETER				1
	54001-1194	CABLE-SPEEDOMETER				1
54011	54011-1307	CABLE-CLUTCH				1
54012	54012-1402	CABLE-THROTTLE				1
92037	92037-1064	CLAMP,CABLE				1
92072	92072-056	BAND,L = 186				2

This catalog covers:
'92 KDX125-A3 Chassis

GRID NO.

F-4

This grid covers:
Side Cover/Chain Case



F2610

Ref. No.	Part No.	Description	Spec Code	Quantity-KDX125	
				'92	A3
14024	14024-1874	COVER,TOOL BOX			1
36010	36010-5382-6W	COVER-SIDE,LH,L.GREEN			1
36010A	36010-5383-6W	COVER-SIDE,RH,L.GREEN			1
36014	36014-1168	CASE-CHAIN			1
36030B	36030-5065-BV	COVER-SIDE,LH,BLUE 24			1
36030C	36030-5066-BV	COVER-SIDE,RH,BLUE 24			1
55020	55020-1366-6F	GUARD,LH,P.WHITE			1
55020A	55020-1367-6F	GUARD,RH,P.WHITE			1
92009	92009-1287	SCREW,6X14,WHITE			4
92075	92075-1598	DAMPER			1
92075A	92075-1986	DAMPER			1
92143	92143-1196	COLLAR			4
92143A	92143-1383	COLLAR,OIL			4
92150	92150-1339	BOLT,6X20			3
92150A	92150-1435	BOLT,6X12			3
92160	92160-1189	DAMPER,SIDE COVER			2
92160A	92160-1244	DAMPER			1

This catalog covers:
'92 KDX125-A3 Chassis

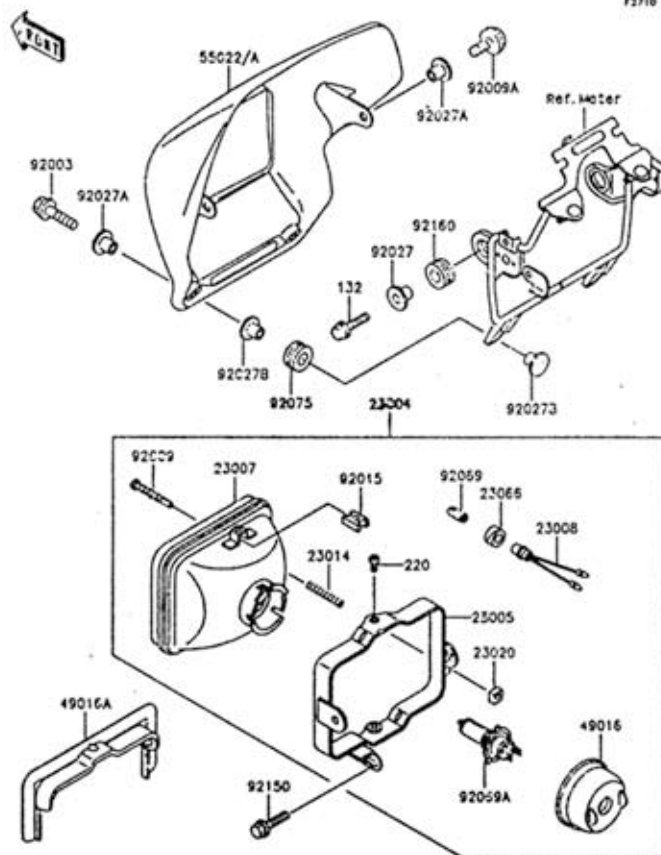
GRID NO.

F-5

This grid covers:

Head Lamp

F2710



Ref. No.	Part No.	Description	Spec Code	Quantity-KDX125	
				'92	A3
23004	23004-1323	LAMP-HEAD			1
23005	23005-1052	BODY-COMP-HEAD LAMP			1
23007	23007-1270	LENS-COMP-HEAD LAMP			1
23008	23008-038	SOCKET-ASSY,PARKING LAMP			1
23014	23014-005	SPRING,FOCUS ADJUSTING			1
23020	23020-018	NUT,4MM,FOCUS ADJUST			1
23066	23066-008	DAMPER,PARKING LAMP			1
49016	49016-1037	COVER-SEAL,SOCKET			1
49016A	49016-1101	COVER-SEAL,HEAD LAMP			1
55022	55022-5015-6W	COVER-HEAD LAMP			1
55022A	55022-5016-BV	COVER-HEAD LAMP,BLUE 24			1
92003	92003-202	BOLT,FLANGED,6X28			2
92009	92009-1065	SCREW,4MM			1
92009A	92009-1285	SCREW,6X10,WHITE			2
92015	92015-1354	NUT,5MM			2
92027	92027-1134	COLLAR,L = 14			2
92027A	92027-1168	COLLAR,L = 4,6			4
92027B	92027-1848	COLLAR,L = 7,4			4
92069	92069-071	BULB,12V 4W			1
92069A	92069-1002	BULB,12V 60/55W,H4			1
92075	92075-209	DAMPER			2
92150	92150-1340	BOLT,6X14			1
92160	92160-1007	DAMPER			2
132	132G0825	BOLT-FLANGED-SMALL			2
220	220B0508	SCREW-PAN-CROS,5X8			2

This catalog covers:
 '92 KDX125-A3 Chassis

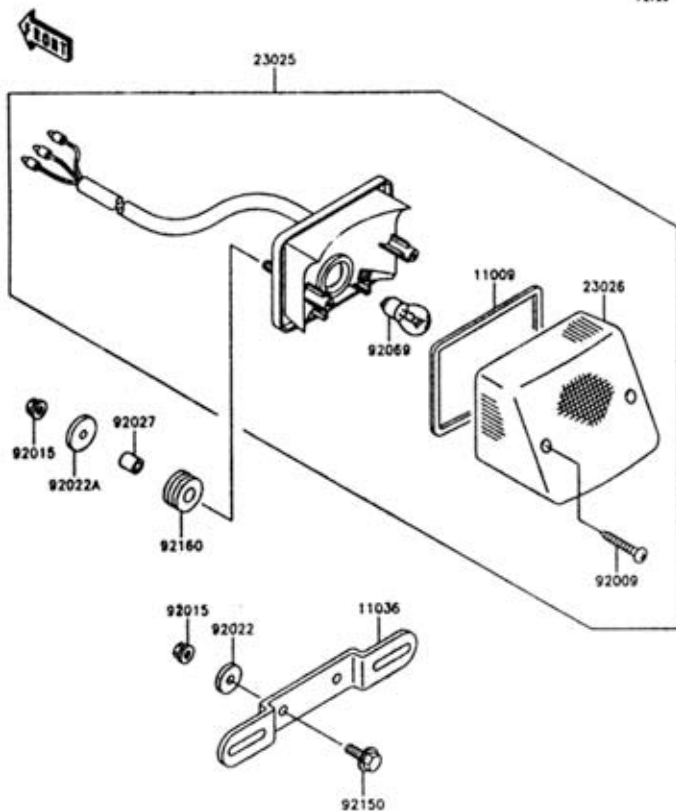
GRID NO.

F-6

This grid covers:

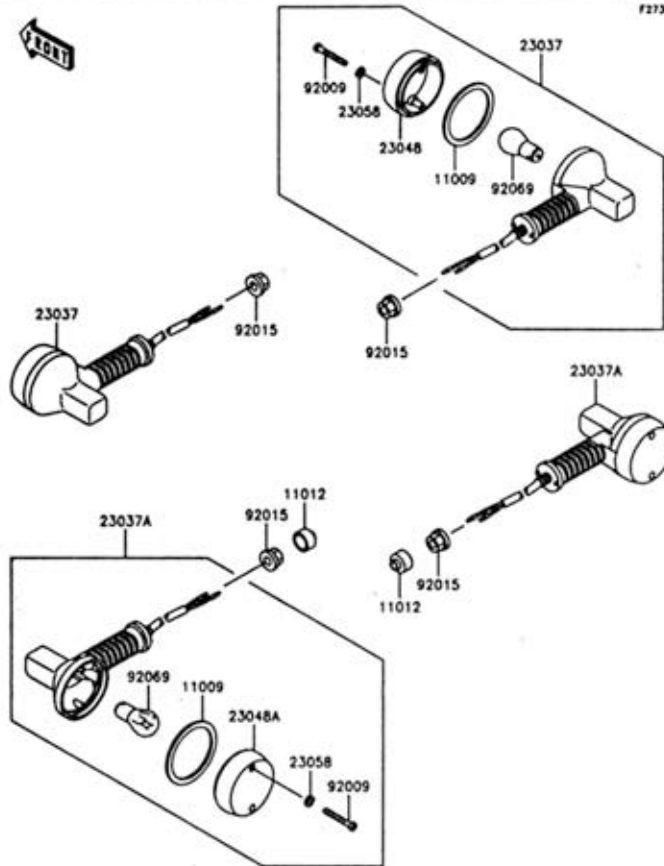
Tail Lamp

r1720



Ref. No.	Part No.	Description	Spec Code	Quantity-KDX125		
				'92	A3	
11009	11009-1078	GASKET, TAIL LAMP LENS			1	
11036	11036-1040	BRACKET-A, LICENSE PLATE			1	
23025	23025-1198	LAMP-TAIL			1	
23026	23026-1113	LENS, TAIL LAMP			1	
92009	92009-1056	SCREW, TAPPING, 4X30			2	
92015	92015-1367	NUT, FLANGED, 6MM			4	
92022	92022-125	WASHER, 6.5X20X1.8			2	
92022A	92022-1690	WASHER, 6.5X24X2			2	
92027	92027-162	COLLAR, 6.8X10X12			2	
92069	92069-1084	BULB, 12V 21/5W			1	
92150	92150-1339	BOLT, 6X20			2	
92160	92160-1162	DAMPER			2	

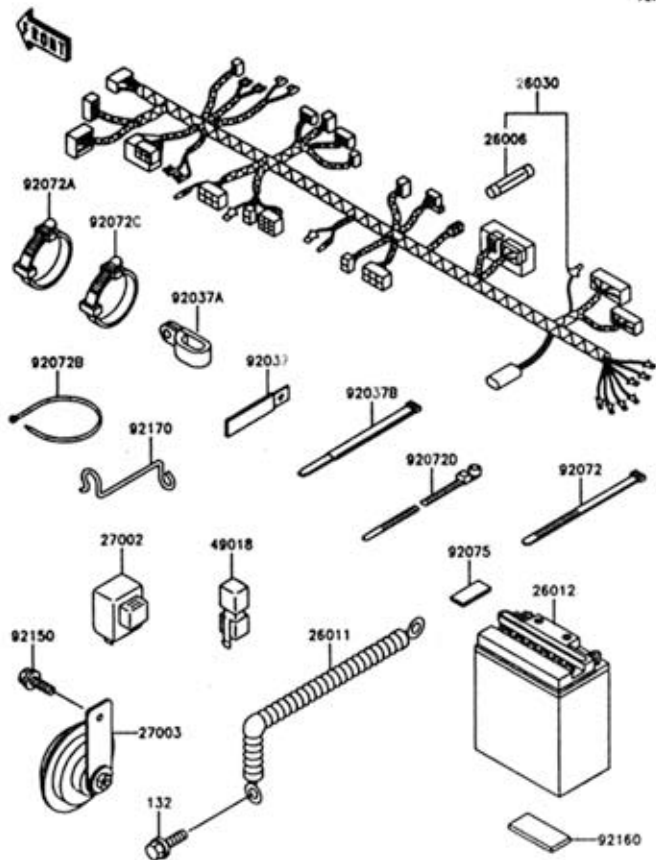
F2730



Ref. No.	Part No.	Description	Spec Code	Quantity-KDX125	
				'92	A3
11009	11009-1373	GASKET,SIGNAL LAMP			4
11012	11012-1367	CAP,SIGNAL LAMP			2
23037	23037-1203	LAMP-ASSY-SIGNAL_FR			2
23037A	23037-1269	LAMP-ASSY-SIGNAL_RR			2
23048	23048-1052	LENS-SIGNAL LAMP,"0770"			2
23048A	23048-1053	LENS-SIGNAL LAMP,"0771"			2
23058	23058-002	WASHER,PLAIN,4MM			8
92009	92009-1069	SCREW,TAPPING,4X25			8
92015	92015-1428	NUT,FLANGED,10MM			4
92069		BULB,12V 21W			4

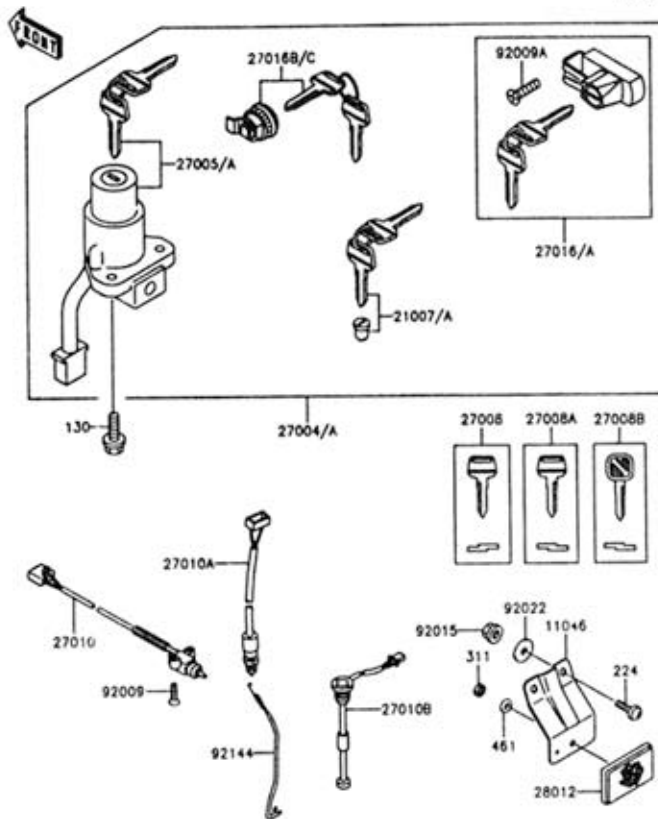
(LOCAL PROCUREMENT ITEM)

F3760

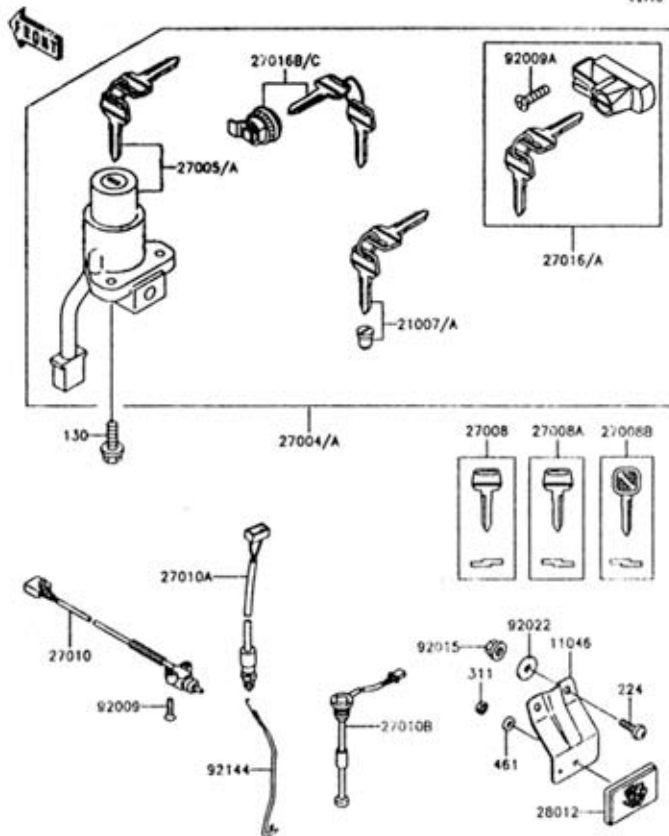


Ref. No.	Part No.	Description	Spec Code	Quantity-KDX125	
				'92	A3
26006	26006-1056	FUSE, 20A, L = 30		2	
26011	26011-1491	WIRE LEAD, RADIATOR		1	
26012	26012-1248	BATTERY, 12V 3AH, YB3L-A		1	
26030	26030-1122	HARNESS, MAIN		1	
27002	27002-1053	RELAY-ASSY, TURN SIGNAL		1	
27003	27003-1336	HORN		1	
49018	49018-1052	D.O.D.E		1	
92037	92037-1069	CLAMP, WIRING HARNESS		1	
92037A	92037-1608	CLAMP		1	
92037B	92037-1817	CLAMP BAND, L = 137		1	
92072	92072-031	BAND, L = 149		3	
92072A	92072-056	BAND, L = 186		3	
92072B	92072-1195	BAND, L = 185		1	
92072C	92072-1237	BAND, L = 250		4	
92072D	92072-1288	BAND, L = 215		1	
92075	92075-1727	DAMPER		1	
92150	92150-1340	BOLT, 6X14		1	
92160	92160-1073	DAMPER		1	
92170	92170-1240	CLAMP		1	
132	132G0612	BOLT-FLANGED-SMALL		1	

F2770

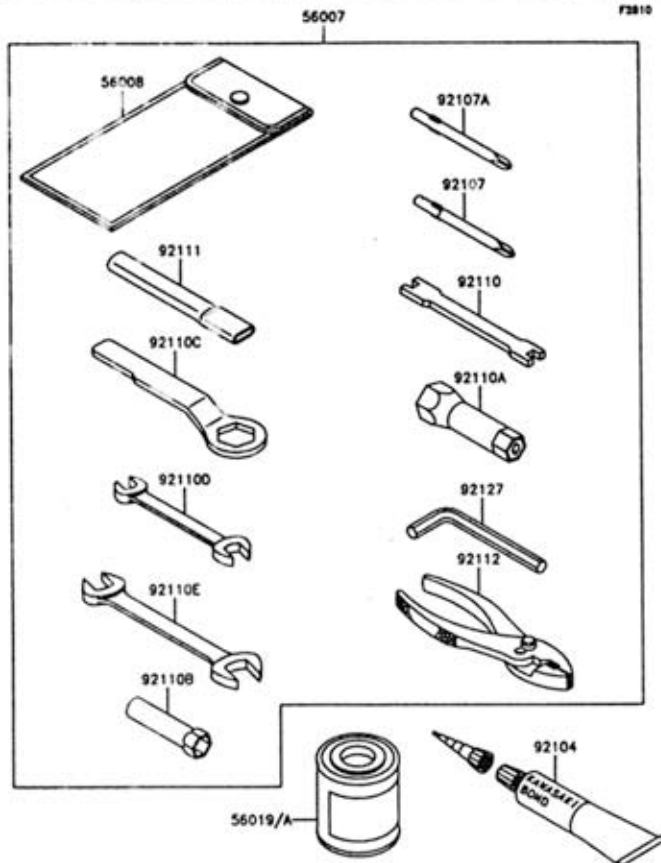


Ref. No.	Part No.	Description	Spec Code	Quantity-KDX125		
				'92	A3	
11046	11046-1285	BRACKET, REFLECTOR			1	
21007	21007-5022	ROTOR, LOCK, TANK CAP	EU		1	
21007A	21007-5023	ROTOR, LOCK, TANK CAP	NR		1	
27004	27004-5429	SWITCH-ASSY	EU		1	
27004A	27004-5430	SWITCH-ASSY	NR		1	
27005	27005-1164	SWITCH-ASSY-IGNITION	EU		1	
27005A	27005-1165	SWITCH-ASSY-IGNITION	NR		1	
27008	27008-1034	KEY-LOCK, BLANK, #A	EU		1	
27008A	(OPTION) 27008-1035	KEY-LOCK, BLANK, #B	EU		1	
27008B	(OPTION) 27008-1105	KEY LOCK, BLANK	NR		1	
27010	27010-1247	SWITCH, SIDE STAND			1	
27010A	27010-1301	SW. TCH, BRAKE LAMP			1	
27010B	27010-1303	SWITCH, OIL LEVEL			1	
27016	27016 5029	LOCK-ASSY HELMET	EU		1	
27016A	27016 5100	LOCK-ASSY, HELMET	NR		1	
27016B	27016-5192	LOCK-ASSY, TOOL BOX	EU		1	
27016C	27016-5193	LOCK-ASSY, TOOL BOX	NR		1	
28012	28012-1054	REFLECTOR-REFLEX, RR			1	
92009	92009 1359	SCREW, 5X20			2	
92009A	92009-1547	SCREW, 5X18			2	
92015	92015-1367	NUT, FLANGED, 6MM			2	
92022	92022-1557	WASHER, 6.5X20X1.6			2	
92144	92144 14,4	SPRING, BRAKE LAMP SWITCH			1	
130	130D0614	BOLT-FLANGED, 6X14			2	
224	224C0614	SCREW-PAN-WP-CROS			2	
311	311B0500	NUT-HEX			1	



F3770

Ref. No.	Part No.	Description	Spec Code	Quantity-KDX125	
				'92	A3
461	461F0500	WASHER-SPRING,5MM		1	



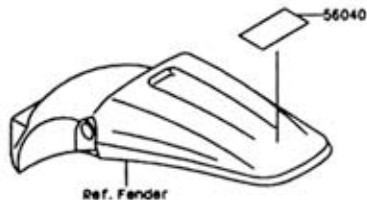
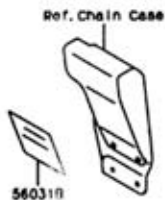
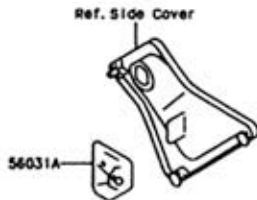
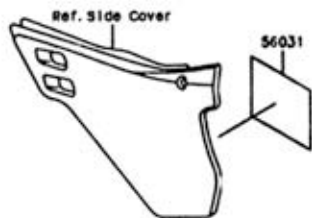
F3810

Ref. No.	Part No.	Description	Spec Code	Quantity-KDX125	
				'92	A3
56007	56007-1354	TOOL-KIT		1	
56008	56008-1019	BAG TOOL		1	
56019	56019-108-DB	PAINT,1/12L,BLUE 24		1	
56019A	56019-108-7F	PAINT,1/12L,L GREEN		1	
92104	92104-002	GASKET-LIQUID,TUBE,100G,SILVER		1	
92107	92107-005	TOOL DRIVER #3PHILLIPS		1	
92107A	92107-1053	TOOL-DRIVER #2PHILLIPS		1	
92110	92110-1016	TOOL-WRENCH SPOKE		1	
92110A	92110-1113	TOOL-WRENCH BOX,21MM		1	
92110B	92110-1139	TOOL-WRENCH BOX,8MM		1	
92110C	92110-1150	TOOL-WRENCH,BOX END,24MM		1	
92110D	92110-1152	TOOL-WRENCH,OPEN END,10X12		1	
92110E	92110-1153	TOOL-WRENCH,OPEN END,14X17		1	
92111	92111-1051	TOOL-BAR,BOX END WRENCH		1	
92112	92112-003	TOOL-PLIERS		1	
92127	92127-003	TOOL-WRENCH,ALLEN,6MM		1	

This catalog covers:
 '92 KDX125-A3 Chassis

GRID NO. This grid covers:
F-12 Label

73960



Ref. No.	Part No.	Description	Spec Code	Quantity-KDX125			
				'92	A3		
56031	56031-1710	LABEL-MANUAL,DAILY SAFETY		1			
56031A	56031-1711	LABEL-MANUAL,BATTERY VENT		1			
56031B	56031-1712	LABEL-MANUAL,CHAIN		1			
56040	56040-1314	LABEL-WARNING,MAXIMUM LOAD		1			

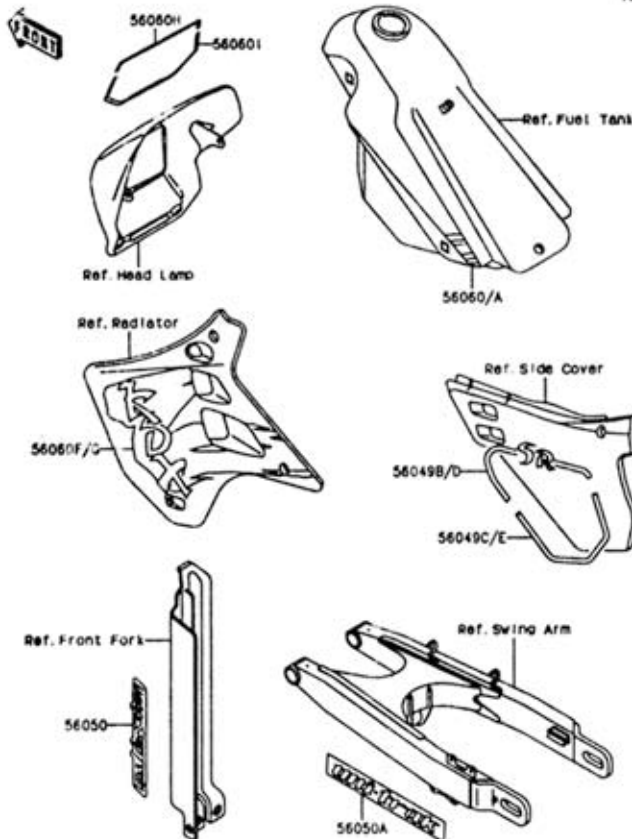
This catalog covers:
'92 KDX125-A3 Chassis

GRID NO.

F-13

This grid covers:

Decal(Blue)



F2M1

Ref. No	Part No.	Description	Spec Code	Quantity-KDX125		
				'92	A3	
56050	56050-1565	MARK,FRONT FORK GUARD		2		
56050A	56050-1669	MARK SWING ARM,UNI-TRAK		2		
56060	56060-1104	PATTERN,FUEL TANK,LH		1		
56060A	56060-1105	PATTERN,FUEL TANK,RH		1		
56060B	56060-1106	PATTERN,SIDE COVER,LH,UPP		1		
56060C	56060-1107	PATTERN SIDE COVER,LH,LWR		1		
56060D	56060-1108	PATTERN SIDE COVER,RH,UPP		1		
56060E	56060-1109	PATTERN SIDE COVER,RH,LWR		1		
56060F	56060-1110	PATTERN,SHROUD,LH		1		
56060G	56060-1111	PATTERN,SHROUD,RH		1		
56060H	56060-1112	PATTERN,HEAD LAMP COVER,UPP		1		
56060I	56060-1113	PATTERN,HEAD LAMP COVER,LWR		1		

This cutting covers:
 '92 KUBOTA A3 Chassis

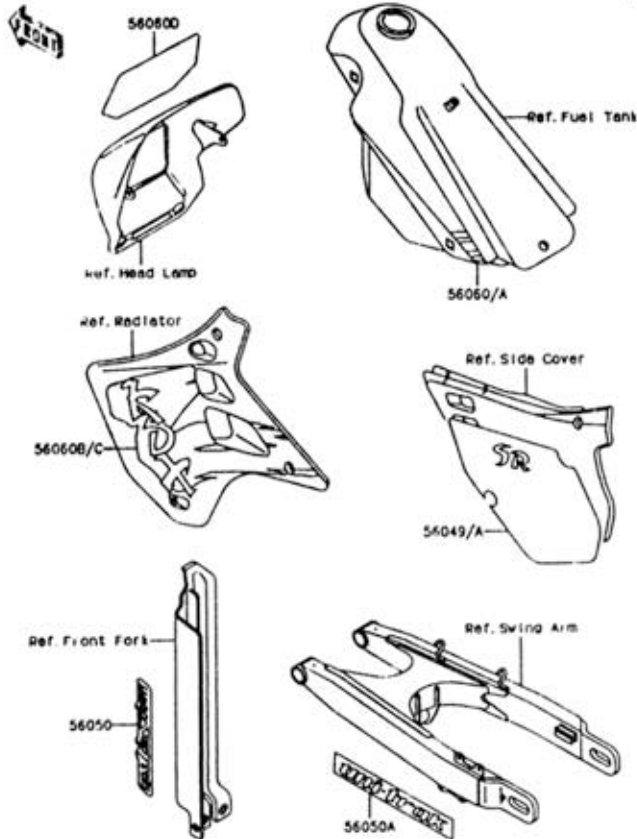
GRID NO.

F-14

This grid covers:

Decal(Green)

F2M1A



Ref. No.	Part No.	Description	Spec Code	Quantity-KDX125	
				'92	A3
56049	56049-1622	PATTERN,SIDE COVER,LH		1	
56049A	56049-1623	PATTERN,SIDE COVER,RH		1	
56050	56050-1565	MARK,FRONT FORK GUARD		2	
56050A	56050-1669	MARK,SWING ARM,UNI-TRAK		2	
56060	56060-1099	PATTERN,FUEL TANK,LH		1	
56060A	56060-1100	PATTERN,FUEL TANK,RH		1	
56060B	56060-1101	PATTERN,SHROUD,LH		1	
56060C	56060-1102	PATTERN,SHROUD,RH		1	
56060D	56060-1103	PATTERN,HEAD LAMP COVER		1	

Air Filter.....	B-4
Brake Pedal.....	D-13
Cable.....	F-3
Carburetor.....	C-3/C-4
Chain Case.....	F-4
Change Drum.....	B-10
Clutch.....	B-8
Crankcase.....	B-12
Crankshaft.....	B-6
Cylinder.....	B-3
Cylinder Head.....	B-3
Decal(Blue).....	-13
Decal(Green).....	F-14
Electrical Equipmen.....	F-8
Engine Cover.....	B-13/B-4
Ender.....	D-8
Frame.....	D-3
Frame Fitting.....	D-4
Front Caliper.....	E-4
Front Fork.....	E-10/E-9
Front Hub.....	D-11
Front Master Cylinder.....	E-3
Fuel Tank.....	E-11
Gear Change Mechanism.....	B-11
Generator.....	C-6
Handlebar.....	E-7/E-8
Head Lamp.....	F-5

Ignition Coil.....	C-7
Ignition Switch.....	F-10/F-9
Kickstarter Mechanism.....	B-7
Label.....	F-12
Meter.....	E-14
Muffler.....	B-5
Oil Pump.....	C-5
Oil Tank.....	E-12
Piston.....	B-6
Radiator.....	C-8
Rear Caliper.....	E-6
Rear Hub.....	D-12
Rear Master Cylinder.....	E-5
Seal.....	E-13
Shift Fork.....	B-10
Shock Absorber.....	D-14
Side Cover.....	F-4
Stand.....	D-9
Step.....	D-7
Suspension.....	D-6
Swing Arm.....	D-5
Tail Lamp.....	F-6
Tire.....	D-10
Tool.....	F-11
Transmission.....	B-9
Turn Signal.....	F-7

Part No.	Grid No.	Part No.	Grid No.	Part No.	Grid No.	Part No.	Grid No.	Part No.	Grid No.	Part No.	Grid No.
11001-14	B-3	1303 1 46	B-6	13 56-126	B-11	14069-003	B-12	222E0412	E-8	31 B 500	F-8
1004 20	B-3	3 30-1056	B-6	3159 1056	E-5	14073-1 16	B-4	223B0514	C-7	31 C 500	E-14
1 5-16 4	B-3	1 034 070-B4	B-6	3 11	B-11	14075-1064	B-4	223C0416	C-4	31 0600	B-11
1009-10 8	F-6	130 5-1010-01	B-6	1116 1034	B-11	14079-1069	E-7	224B0618	B-4	320 548	D-4
1 009-1145	C-8	1 37 1375	B-6	13 66-3 1	B-13	4079-1070	E-6	224C0614	F-9	3203 549	D-4
1009-296	C-5	3007-399	B-6	3 9 541	B-9	15001-1569	C-3	23004-1323	F-5	3205 30 -30 -CC	E-11
1 009-373	F-7	406 331	B-6	13 83 1 59	B-13	15001-1673	C-3	23005-1052	F-5	320 130-WI	E-11
1009 184	B-13	3064 1151	B-7	3 83 066	B-10	16002-1057	C-3	23007-1270	F-5	320 305	E-12
009 1934	B-3	3066-074	B-7	13 83 162	C-3	16004-1066	C-3	23008-036	F-5	32085-1315	E-8
1009 1935	B-13	3-70-1007	B-7	316-1250	C-3	6009-1634	C-3	23008-1496	E-14	3208 1327	E-9
1009-1936	B-13	130 0-1074	E-7	132G0608	B-9	16009-1639	B-9	23014-005	F-5	2099-1038	E-7
1009-1937	C-5	3 0 1183	E-4	132G0612	F-8	16014-1033	C-3	23020-018	F-5	2099-1044	E-7
1009-1938	B-3	13 0-1208	B-3	132G0614	C-6	16016-1028	C-3	23025-1198	F-6	32 60-1230-CC	D-3
1 009-1939	B-13	130 0-1222	E-9	132G0614	C-7	16021-1142	C-3	23026-1113	F-6	32 60-1230 W	D-3
1009-1940	B-3	1 070-1223	E-9	13 00616	B-7	16025-1143	C-3	23037-1203	F-7	32 60-1232-CC	D-3
1009-1941	B-3	13070-1226	E-9	132G0616	E-3	16030-1064	C-3	23037-1269	F-7	3 160 1232 WI	D-3
1009-1942	B-13	3078-1052	B-7	132G0620	C-4	16031-1065	C-3	23048-1052	F-7	3300 1387-CE	D-5
1009-1992	B-5	13086-1056	B-8	132G0625	B-14	16049-1051	C-3	23048-1053	F-7	33032 1156	D-5
11012 1064	C-8	13087-1128	B-8	132G0625	B-3	16065-1182	C-3	23058-002	F-7	33040-1113	D-5
11012 1367	F-7	13088-1058	B-8	132G0625	C-8	16065-1209	C-3	23066-006	F-5	003 1335-CC	D-7
11012 1581	2	13088-1081	B-8	132G0625	E-4	16073-1085	B-5	25001-1881	E-14	34003 1335-WI	D-7
11012 1781	E-9	13089-1070	B-8	132G0630	B-14	16082-1107	C-5	25005-1513	E-14	34003-1336-CC	D-7
11013-1186	4	13091-1134	B-8	132G0640	B-14	16087-1101	C-5	25008-1189	E-14	34003-1336-WI	D-7
1 029-1003	B-4	13091-1683	B-8	132G0645	B-14	16115-018	B-13	25009-004	E-14	34034-1267	D-9
1036-1040	F-6	13091-1 18	E-7	132G0645	D-5	16142-1106	B-13	25015-1313	E-14	34028-009	D-7
1036-1297	E-7	13095-1218	B-8	132G0650	B-12	17200612	B-11	25022-1145	E-14	34028-1302	D-7
1036-1081	B-4	13097 1256	B-6	132G0660	B-2	172G062	B-3	26006-1056	F-8	34 38-1303	D-7
1046-285	F-8	131G0650	E-10	132G0665	B-5	18002-1938	B-5	26011-1491	F-8	35004-1262-BV	D-8
11047-046	B-4	131G 1045	E-10	132G0625	F-14	18090-1149	B-5	26012-1248	F-8	35004-1262-4W	D-8
11060 1163	E	13107-1270	B-13	13206-1061	B-7	184B0612	E-4	26030-1122	F-8	35004-1279-BV	D-8
112G0520	B-8	13114 1064	B-8	13236-1146	B-11	187C0616	C-7	27002-1063	F-8	35004-1279-4W	D-8
120 0635	4	13127 1197	B-9	13236-1190	B-13	21003-1224	C-6	27003-1224	C-6	35011-1539	C-3
120C0608	B-9	13128-1134	B-9	13236-1195	B-8	21007-1220	C-6	27004-5429	F-9	35011-1546	E-9
12005 1180	D-3	13129-1569	B-9	14001 5282	B-12	21007-5022	F-9	27004-5430	F-9	35011-1547	E-9
12005-118	B-3	13129-1786	B-9	14014 1066	B-10	21007-5023	F-9	27005-1164	F-9	35011-1606-CC	D-4
12-21-06	B-3	13129-1789	B-9	14024 1565	B-3	21066-1039	C-6	27005-1165	F-9	35011-1606-WI	D-4
12022 1063	B-3	13129-1790	B-9	14024-1786	B-3	21119-1335	C-7	27006-1034	F-9	35019-1002	D-8
12053 1104	D-5	13129-1791	B-9	14024-1861-6F	E-4	21121-1147	C-7	27006-1035	F-9	35019-1264	D-8
12053 1270	B-13	13129-1792	B-9	14024-1874	F-4	21130-1062	C-7	27006-1105	F-9	35019-1274	D-8
12-53-1293	D-5	13129-1793	B-9	14024-1910	C-5	214C0518	E-8	27010-1170	E-3	35019-1276	D-8
130C06 4	F-9	13129-1795	B-9	14025-1646	E-7	220B0006	B-14	27010-1247	F-9	35019-1279	D-8
130C0620	B-3	13129-1796	B-9	14025-1817	E-14	220B0506	E-10	27010-1301	F-9	35022-1266-BV	D-8
130C0625	B-3	13129 1825	B-9	14026 1159	B-3	220B0508	F-5	27010-1303	F-9	35022-1266-6W	D-8
130 0612	B-4	13140-1150	B-10	14031 1246	B-13	220B0516	C-5	27016 5029	F-9	36010-5382-4W	F-4
130G0840	D-4	13140 1151	B-10	14032-1285	B-13	220B0530	C-6	27016-5100	F-9	36010-5383-6W	F-4
130G0855	D-7	13140 1152	B-10	14032-1285	B-13	220C0014	E-8	27016-5192	F-9	36014 198	F-4
1300 100	B-1	3 41 1107	B-10	1403 099	B-10	220C0525	F-9	27016-5193	F-9	36033 65-BV	F-4
13007 1096	B-6	13144 1172	B-10	14037-1099-6W	C-8	220C 0535	C-6	28011-1125	E-14	36030-5066-BV	F-4
13008 1126	B-6	13145 1059	B-10	14 37 111	C-8	22180610	D-7	28012-1054	F-9	39007 1185	D-6
13031 1304	D-4	13145 1061	B-10	14912-1121	W	221806 6		290C0608	B-7	9061 118C	C-8

Part No.	Grid No.	Part No.	Grid No.	Part No.	Grid No.	Part No.	Grid No.	Part No.	Grid No.	Part No.	Grid No.
39062-1315	C-8	43028-1067	E-5	46092-1140	E-3	53001-1874-MY	E-13	56060-1109	F-13	92002-1880	E-7
39062-1334	C-8	43034-1018	E-3	46092-1159	E-7	53026-1134	D-8	56060-1110	F-13	92002-1886	E-3
39062-1373	C-8	43041-1430	E-6	46098-018	D-3	53044-1200	E-11	56060-1111	F-13	92002-1888	E-5
39115-1074	C-5	43041-1446	E-4	46107500	F-10	54001-1187	F-3	56060-1112	F-13	92002-1894	E-3
39129-1003	B-13	43044-1092	D-12	46102-1278	F-10	54011-1307	F-3	56060-1113	F-13	92003-157	D-9
41080600	D-12	43044-1097	E-4	46011500	B-7	54012-1402	F-3	5905-1190	B-3	92004-1008	B-12
41002-1785	D-10	43049-1018	E-4	460J1600	B-7	55002015	D-7	5905-1190	B-3	92004-1009	B-3
41002-1786	D-10	43049-1017	E-11	461J3500	D-11	55002016	D-7	5905-1225	B-13	92004-1142	B-12
41022-1144	D-10	43049-1060	E-6	462J0100	B-14	55002018	D-7	5905-1226	C-5	92005-1146	C-5
		43049-1061	E-6	462J4000	B-3	55002020	E-8	5905-1227	C-5		
41022-1145	D-10	43049-1072	E-11	462L0100	B-7	55003025	D-11	5905-1228	B-7	92005-1205	B-3
41023-1009	D-10	43056-1054	E-4	49002-1083	B-3	55003025	D-12	5905-1229	B-7	92009-1014	B-3
41023-1066	D-10	43056-1055	E-6	49006-1040	E-3	55020-1323-6F	E-6	5905-1234	B-13	92009-1056	F-6
41024-0111	D-10	43067-003	E-4	49006-1053	E-4	55020-1366-6F	F-4	5910-1110	E-7	92009-1065	F-5
41025-1248	D-10	43067-1001	E-6	49006-1054	E-4	55020-1367-6F	F-4	59256-1063	B-13	92009-1069	F-7
41025-1247	D-10	43058-1870	E-5	49006-1055	E-4	55020-1381	E-5	5944-1089-BV	E-7	92009-1123	E-11
41029-1199	D-10	43058-1890	E-3	49006-1068	E-6	55020-1397	E-9	5944-1089-6W	E-7	92009-1154	B-13
41029-1206	D-10	43059-1715	E-5	49006-1068	E-6	55020-1398	E-9	5944-1090-BV	E-7	92009-1156	E-14
41032-1061	D-10	43064-007	E-5	49006-1067	E-7	55022-5015-6W	F-5	5944-1090-6W	E-7	92009-1172	E-14
41034-1216	D-12	43067-001	E-3	49006-1189	F-3	55022-5016-BV	F-5	600A0600	D-3	92009-1266	B-10
				49006-1228	B-13						
41034-1218	D-11	43067-001	E-5	49006-1242	E-6	551A0306	B-10	600A0900	B-7	92009-1266	F-5
41060-1101	D-11	43078-1118	C-8	49016-1037	F-5	554A1000	E-11	600A1200	B-14	92000-1287	D-8
41060-1102	D-11	43078-1122	E-5	49016-1044	E-3	555A0312	C-5	601A5003	B-10	92009-1287	E-5
41063-001	D-11	43082-1079	E-4	49016-1101	F-5	56001-1285	E-7	601B6201U	B-14	92009-1287	F-4
41064-1051	D-11	43082-1090	E-6	49018-1052	F-8	56001-1286	E-7	601B6202	B-12	92009-1288	D-5
41068-1309	D-11	44001-1829	E-9	49046-1068	D-3	56007-1354	F-11	601B6202UG	B-11	92009-1293	E-14
41068-1330	D-12	44008-1010	E-9	49047-1066	B-10	56008-1019	F-11	601B6204	B-12	92009-1332	B-4
41078-1080	D-11	44015-1329	E-9	49054-1063	B-3	56019-108-0B	F-11	601B6304	B-12	92009-1350	F-9
41080-1266	E-4	44015-1330	E-9	49063-1002	D-13	56019-108-7F	F-11	610A0406	B-14	92009-1360	B-10
41080-1291	E-6	44022-1259	E-9	49085-1003	C-8	56030-1101	D-4	610A0408	B-13	92009-1456	E-3
				49085-1058	C-8						
41082-001	D-11	44022-1260	E-9	49089-5141-6W	C-8	56031-1710	F-12	610A0612	B-14	92009-1491	C-5
41108000	E-10	44026-1472	E-9	49089-5142-6W	C-8	56031-1711	F-12	670B1502	B-14	92009-1502	B-3
411B1000	D-4	44028-1078	E-9	49089-5142-6W	C-8	56031-1712	F-12	670B1507	C-5	92009-1547	F-9
42036-1245	D-6	44029-1145	E-9	49089-5145-BV	C-8	56040-1314	F-12	92001-1034	D-13	92009-1596	E-5
42036-1246	D-6	44037-1301	E-9	49089-5146-BV	C-8	56049-1622	F-14	92001-1034	E-7	92009-1618	B-5
42036-1248	D-6	44039-1228	E-9	49106-1121	B-5	56049-1622	F-14	92001-1091	E-11	92015-072	B-8
42036-1263	D-5	44045-051	E-9	49111-1054	B-13	56050-1565	F-13	92001-1455	B-11	92015-1078	B-13
42041-1350	D-12	44065-1100	E-9	49114-1058	B-13	56050-1565	F-14	92001-1773	E-11	92015-1078	B-5
43001-1300	D-13	45014-1467	D-14	49114-1070	B-13	56050-1669	F-13	92001-1826	E-12	92015-1078	C-5
43010-1068	E-5	46003-1336-CE	E-7	510A3200	B-10	56050-1669	F-14	92001-1966	D-6	92015-1124	D-12
43015-1478	E-3	46003-1336-W1	E-7	510A3200	B-6	56060-1099	F-14	92002-1135	D-8	92015-1143	B-3
43015-1515	E-5	46012-1191	E-7	510A3100	D-6	56060-1100	F-14	92002-1323	E-3	92015-1143	D-4
43020-1068	E-6	46012-1211	E-7	510C3-5419-7F	E-11	56060-1101	F-14	92002-1329	B-11	92015-1143	D-8
43020-1091	E-4	46019-1054	E-7	510C3-5422-DB	E-11	56060-1102	F-14	92002-1387	D-12	92015-1153	D-8
43020-1094	E-5	46055-009	E-7	51023-1170	E-11	56060-1103	F-14	92002-1403	B-13	92015-1153	E-4
43020-1098	E-3	46056-006	E-7	51049-1004	E-12	56060-1104	F-13	92002-1417	B-5	92015-1156	B-6
43022-1010	E-3	46075-1024	E-7	51049-1095	E-11	56060-1105	F-13	92002-1442	E-6	92015-1183	B-5
43026-1074	E-3	46076-1167	E-7	52001-1080	E-12	56060-1106	F-13	92002-1491	D-4	92015-1191	E-7
43026-1075	E-5	46091-1550	E-7	52005-1055	B-13	56060-1107	F-13	92002-1675	D-6	92015-1224	E-9
43028-1061	E-3	46091-1551	E-7	52014-1072	B-13	56060-1108	F-13	92002-1879	E-3	92015-1233	E-3

This catalog covers:
'92 KDX125-A3

GRID NO.

L-15

This grid covers:
Numerical Parts Index

Part No.	Grid No.	Part No.	Grid No.	Part No.	Grid No.	Part No.	Grid No.	Part No.	Grid No.	Part No.	Grid No.
92015-1354	F-5	92022-315	B-7	92037-1712	B-5	92055-1167	C-3	92075-1497	D-14	92143-1402	D-12
92015-1367	F-6	92022-318	B-7	92037-1712	C-8	92055-1251	E-5	92075-1581	E-14	92143-1447	E-9
92015-1367	F-9	92026-1136	B-6	92037-1817	F-8	92055-1258	B-14	92075-1598	F-4	92143-1452	D-11
92015-1391	E-14	92026-1217	B-11	92037-1991	C-3	92055-1343	B-14	92075-1690	D-8	92143-1453	D-11
92015-1407	D-11	92026-1238	B-13	92037-1993	B-4	92055-1389	C-3	92075-1727	F-8	92143-1467	D-7
92015-1407	D-5	92026-1276	E-9	92042-007	B-12	92055-1390	C-3	92075-1778	E-7	92144-1017	D-9
92015-1428	F-7	92026-1361	C-6	92043-1039	E-5	92055-1399	B-3	92075-1831	E-11	92144-1177	C-4
92015-1429	D-4	92027-1134	F-5	92043-1129	B-13	92055-1485	E-9	92075-1895	B-14	92144-1287	B-8
92015-1429	D-8	92027-1166	E-12	92043-1207	C-3	92057-1331	D-12	92075-1986	F-4	92144-1364	E-8
92015-1433	D-6	92027-1168	F-5	92043-1217	D-7	92058-1058	D-12	92075-209	C-8	92144-1474	F-9
92015-1487	C-8	92027-1183	D-8	92043-1256	B-13	92059-1295	C-3	92075-209	F-5	92144-1632	D-13
92015-1502	B-7	92027-1210	E-11	92043-1263	B-12	92059-1644	C-3	92076-020	D-7	92150-1111	D-7
92015-1572	B-13	92027-162	F-6	92043-1293	B-13	92059-1666	B-12	92077-1054	E-14	92150-1174	D-4
92015-1603	E-7	92027-1670	D-4	92043-1319	B-13	92059-1941	C-3	92081-020	B-7	92150-1215	D-8
92015-1674	C-3	92027-1839	B-13	92043-1416	E-6	92060-013	C-5	92081-122	B-7	92150-1270	E-9
92015-1724	D-12	92027-1848	F-5	92043-1464	D-7	92063-1334	C-3	92081-1341	E-4	92150-1337	C-6
92015-1752	E-9	92027-1936	D-8	92045-1169	B-12	92063-1355	C-3	92081-1555	C-4	92150-1339	C-8
92015-1759	D-3	92027-1994	C-8	92045-1209	B-12	92063-1355	C-4	92081-1606	D-7	92150-1339	E-8
92015-1772	C-3	92027-1959	D-11	92045-1212	B-12	92063-1356	C-4	92081-1607	D-7	92150-1339	E-13
92015-1832	E-9	92028-1066	D-11	92045-1212	B-13	92063-1357	C-4	92081-1637	B-8	92150-1339	F-4
92019-008	D-8	92028-1388	B-8	92045-1236	B-8	92063-1358	C-4	92081-1750	B-11	92150-1339	F-6
92019-021	D-9	92028-1589	C-5	92045-1239	D-12	92064-1139	C-4	92081-1768	B-7	92150-1340	C-8
92019-021	E-7	92028-1814	E-9	92045-1277	B-12	92064-1141	C-4	92081-1829	B-11	92150-1340	D-8
92022-024	D-8	92033-1041	D-12	92046-1110	D-5	92065-058	B-10	92081-1993	B-11	92150-1340	E-11
92022-1028	E-5	92033-1186	E-5	92046-1162	D-6	92065-058	B-12	92090-022	D-3	92150-1340	E-9
92022-1033	B-9	92033-1214	B-9	92046-1176	B-14	92066-1118	C-8	92093-1012	B-5	92150-1340	F-5
92022-1035	E-7	92033-1215	B-9	92046-1192	D-6	92066-1241	B-12	92093-1312	E-9	92150-1340	F-8
92022-1068	E-7	92033-1222	E-9	92047-014	D-3	92066-1344	B-4	92104-002	F-11	92150-1359	D-4
92022-1137	E-11	92033-1242	B-6	92048-009	D-3	92069-071	F-5	92107-005	F-11	92150-1389	E-8
92022-125	D-8	92036-018	C-3	92049-002	B-14	92069-1002	F-5	92107-1053	F-11	92150-1423	E-4
92022-125	E-14	92037-1064	F-3	92049-1109	D-5	92069-1007	E-14	92110-1016	F-11	92150-1423	E-6
92022-125	F-6	92037-1069	F-8	92049-1162	D-3	92069-1059	E-14	92110-1113	F-11	92150-1432	E-9
92022-1290	B-8	92037-1129	B-5	92049-1172	D-11	92069-1084	F-6	92110-1139	F-11	92150-1434	E-9
92022-1356	C-5	92037-1260	C-5	92049-1176	D-11	92070-1157	C-7	92110-1150	F-11	92150-1435	B-5
92022-1369	C-9	92037-1318	B-12	92049-1187	B-12	92070-2078	C-7	92110-1152	F-11	92150-1435	C-8
92022-1395	E-9	92049-1206	C-3	92049-1203	D-3	92071-1043	E-12	92110-1153	F-11	92150-1435	E-12
92022-1475	C-5	92037-1401	C-3	92049-1206	B-3	92071-1115	E-12	92111-1051	F-11	92150-1435	F-4
92022-1557	F-9	92037-147	C-3	92049-1207	B-14	92071-1210	D-8	92112-003	F-11	92150-1455	E-8
92022-1561	D-4	92037-1479	E-14	92049-1254	D-6	92072-031	F-8	92116-1009	D-3	92150-1504	C-8
92022-1601	E-5	92037-1486	B-4	92049-1257	B-12	92072-056	F-3	92122-1153	D-4	92150-1506	E-12
92022-1690	F-6	92037-1527	C-3	92049-1259	B-14	92072-056	F-8	92127-003	F-11	92150-1506	E-8
92022-1792	B-10	92037-1529	E-7	92049-1262	B-14	92072-071	B-4	92143-1019	E-12	92150-1507	E-5
92022-1827	B-11	92037-1589	C-8	92049-1301	B-12	92072-1195	F-8	92143-1056	B-3	92160-1007	F-5
92022-1829	D-7	92037-1601	C-5	92049-1330	D-6	92072-1237	F-8	92143-1147	B-3	92160-1073	D-4
92022-183	E-11	92037-1603	C-8	92049-1370	E-9	92072-1271	E-9	92143-1196	D-8	92160-1073	F-8
92022-1831	B-6	92037-1608	B-3	92051-005	B-12	92072-1278	E-9	92143-1196	E-4	92160-1162	F-6
92022-223	B-8	92037-1608	E-4	92055-061	B-7	92072-1288	F-8	92143-1196	F-4	92160-1171	E-11
92022-239	D-7	92037-1608	F-8	92055-086	B-6	92072-1293	E-7	92143-1310	B-14	92160-1176	B-5
92022-269	B-8	92037-1621	E-7	92055-1111	E-11	92075-024	E-14	92143-1356	D-12	92160-1189	F-4
92022-304	B-13	92037-1710	E-5	92055-1112	E-11	92075-112	E-11	92143-1383	F-4	92160-1243	E-9

This catalog covers:

'92 KDX125-A3

GRID NO.

L-16

This grid covers:

Numerical Parts Index

Part No.	Grid No.	Part No.	Grid No.	Part No.	Grid No.	Part No.	Grid No.	Part No.	Grid No.
----------	----------	----------	----------	----------	----------	----------	----------	----------	----------

92160-1244	F-4
92160-1258	E-11
92170-1113	B-14
92170-1113	C-4
92170-1231	E-3
92170-1232	E-3
92170-1240	F-8
92170-1255	E-8
92170-2043	C-5
92180-1060	D-4
92190-1191	C-5
92190-1210	C-5
92190-1252	D-13
92190-1274	E-12
92190-1305	B-5
92200-1079	B-8
92200-1080	B-8