



KAZE
125

Catálogo de Partes

PREFACIO

Es nuestro placer presentarles a ustedes el Catálogo de Partes.

Este Catálogo ha sido especialmente diseñado para ayudarle en la selección de las partes correctas con el fin de mantener el vehículo en las mejores condiciones.

Los repuestos originales están sujetos a un exigente estándar de control de calidad, por lo tanto es necesario que usted sólo use repuestos originales.

En nuestro constante esfuerzo para mejorar la eficiencia y desempeño de su vehículo, las especificaciones, diagramas y número de partes pueden cambiar sin previo aviso. Consecuentemente las descripciones de los repuestos en este Catálogo pueden no ser las finales y definitivas.

Las alteraciones y modificaciones que ocurren en la impresión de este Catálogo, serán informadas a nuestra red, a través de circulares de Servicio. Es requisito que usted actualice su Catálogo y haga las correcciones necesarias, una vez reciba dichas circulares. Lo anterior le asegurará un rápido y adecuado despacho de sus partes, pues las órdenes están siendo diligenciadas con las referencias más actualizadas.

En caso de necesitar asistencia técnica, comunicarse con el Distribuidor Autorizado o llamar al Departamento de Servicios Auteco-Kawasaki.

This catalog covers:

'04 AN125-A1/C1/D1

GRID NO.

A-2

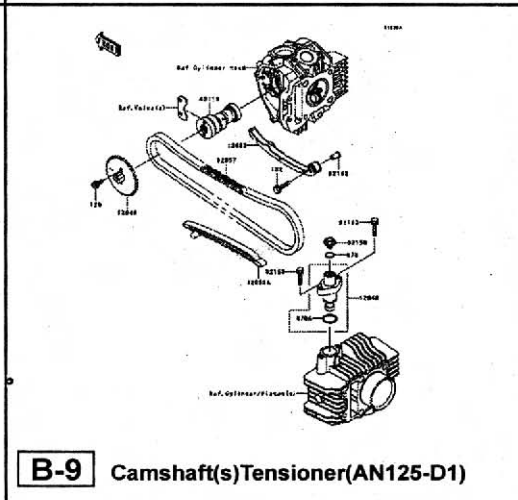
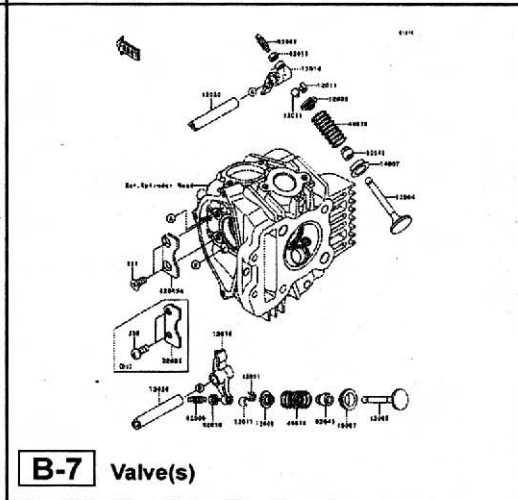
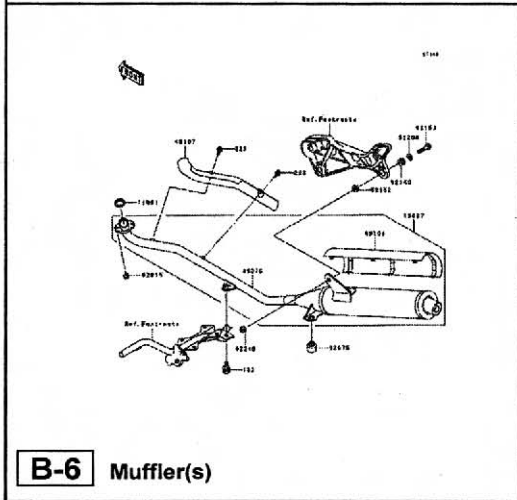
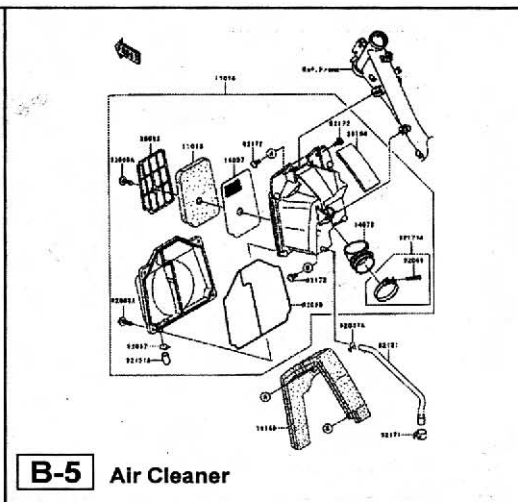
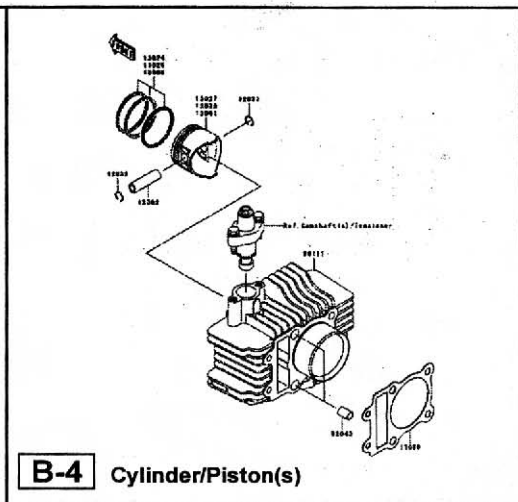
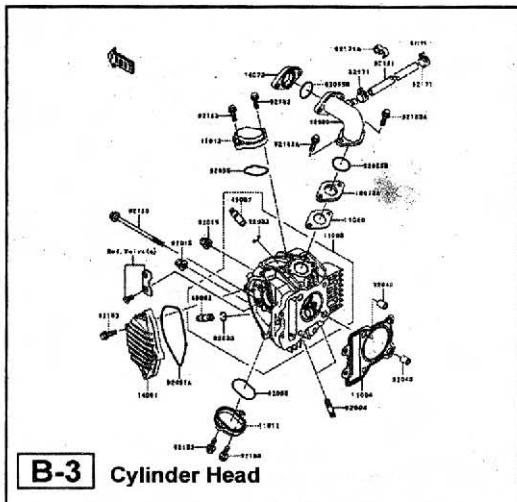
This grid covers:

Publications

Year & Model	Owner's Manual	A&P Manual		Service Manual		Microfiche
		General	Supplement	Basic	Supplement	
2004 AN125-A1						
2004 AN125-C1						
2004 AN125-D1						

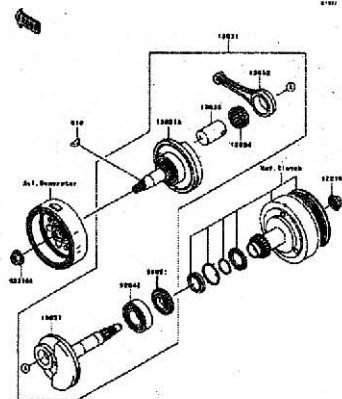
This catalog covers:
 '04 AN125-A1/C1/D1 Engine

GRID No. This grid covers:
B-1 Pictorial Index

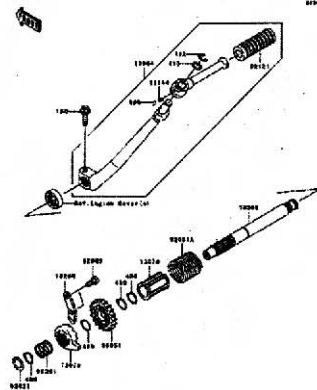


This catalog covers:
'04 AN125-A1/C1/D1 Engine

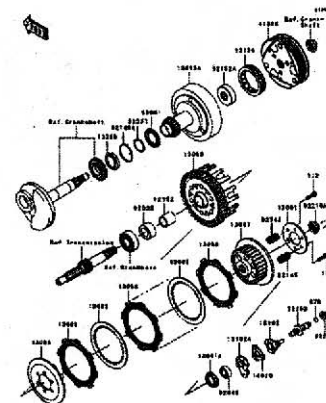
GRID No. **B-2** This grid covers:
Pictorial Index



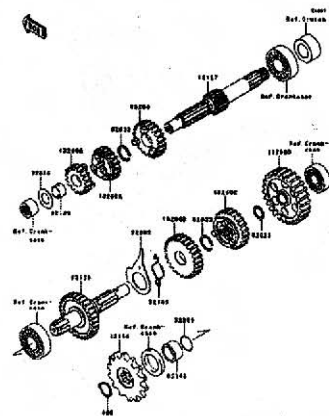
B-10 Crankshaft



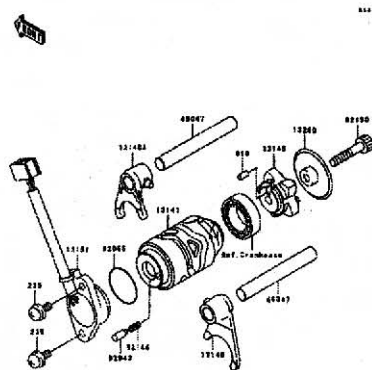
B-11 Kickstarter Mechanism



B-12 Clutch



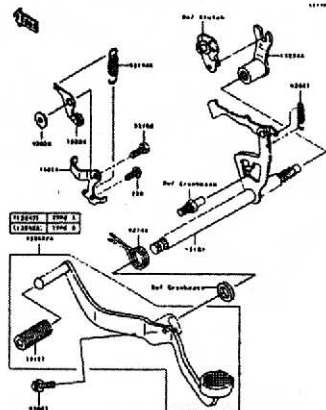
B-13 Transmission



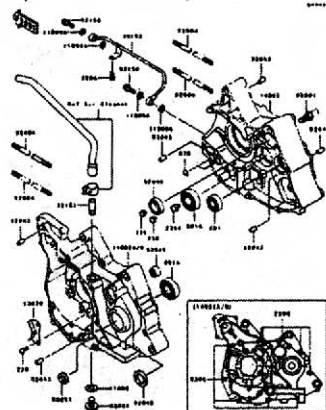
B-14 Gear Change Drum/Shift Fork(s)

This catalog covers:
'04 AN125-A1/C1/D1 Engine

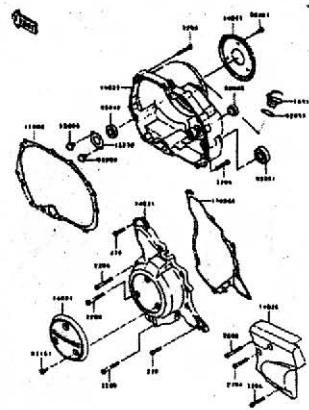
GRID NO. This grid covers:
C-1 Pictorial Index



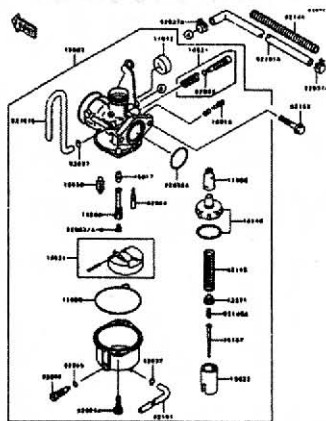
C-3 Gear Change Mechanism



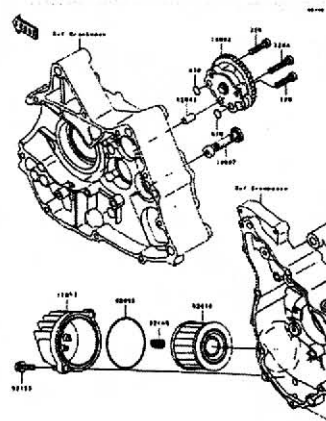
C-4 Crankcase



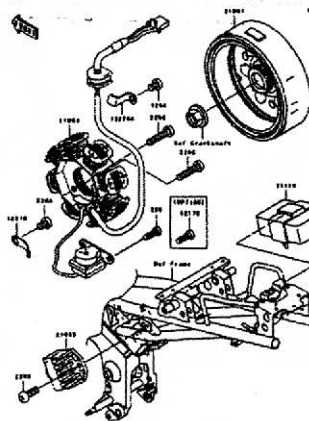
C-5 Engine Cover(s)



C-6 Carburetor



C-7 Oil Pump



C-8 Generator

This catalog covers:

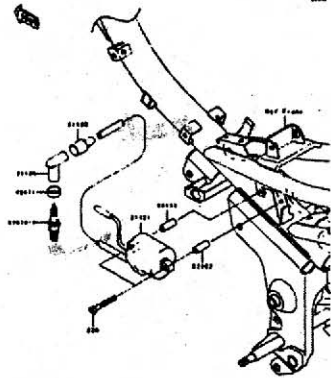
'04 AN125-A1/C1/D1 Engine

GRID NO.

C-2

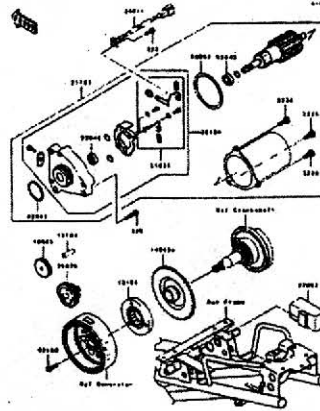
This grid covers:

Pictorial Index



C-9

Ignition System

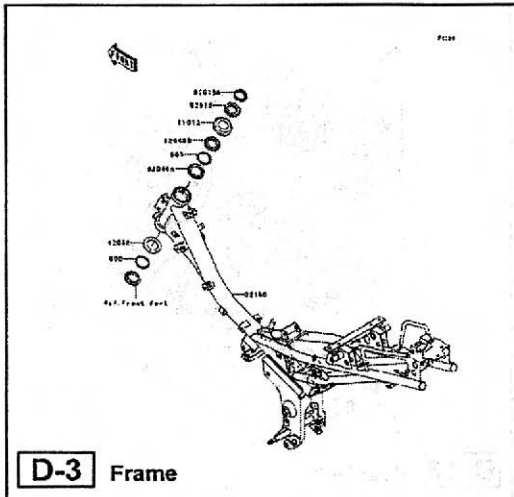


C-10

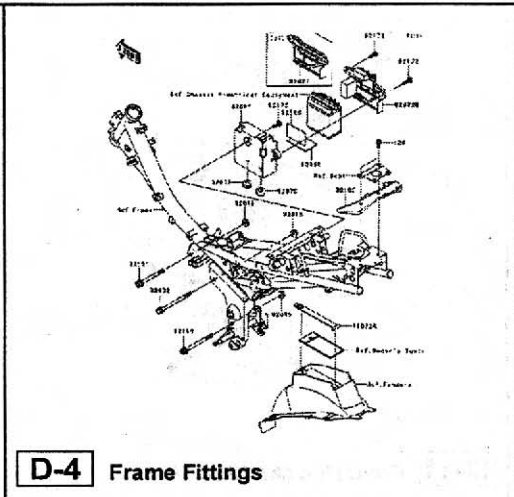
Starter Motor(AN125-D1)

This catalog covers:
 '04 AN125-A1/C1/D1 Engine

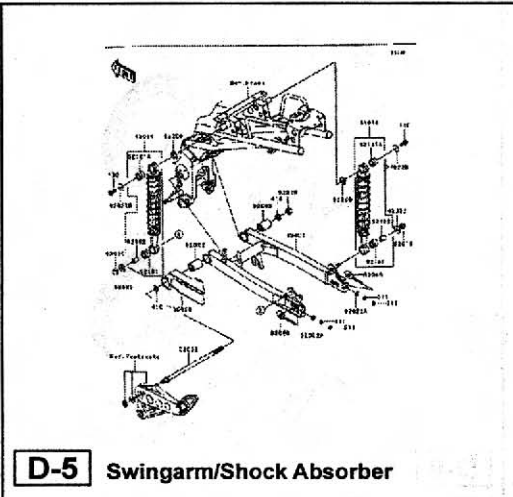
GRID No. This grid covers:
D-1 Pictorial Index



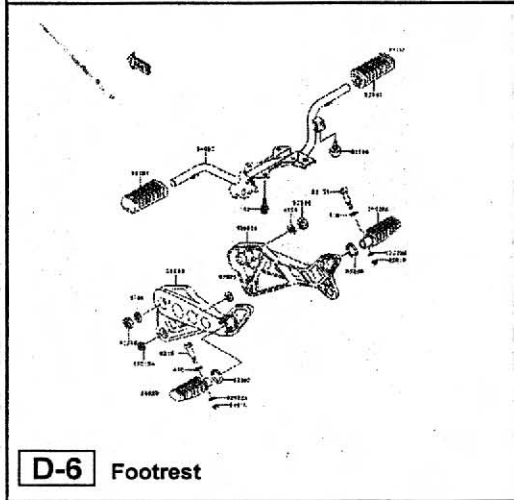
D-3 Frame



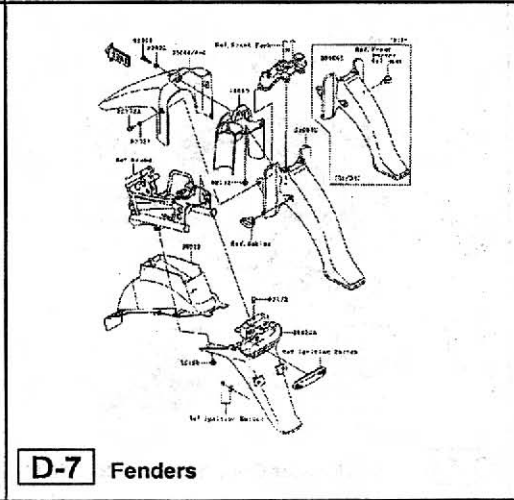
D-4 Frame Fittings



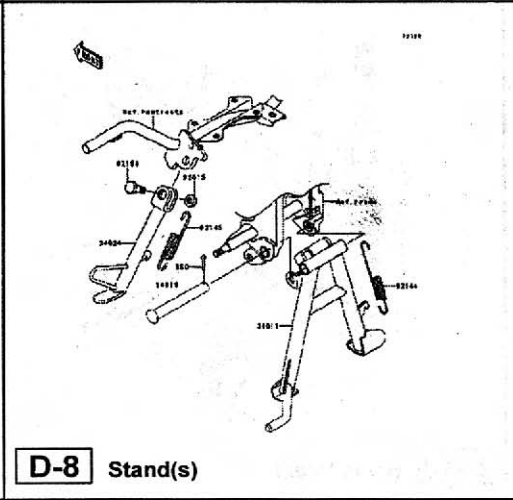
D-5 Swingarm/Shock Absorber



D-6 Footrest



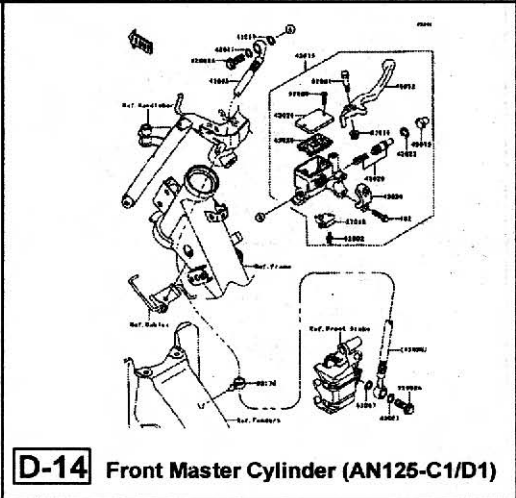
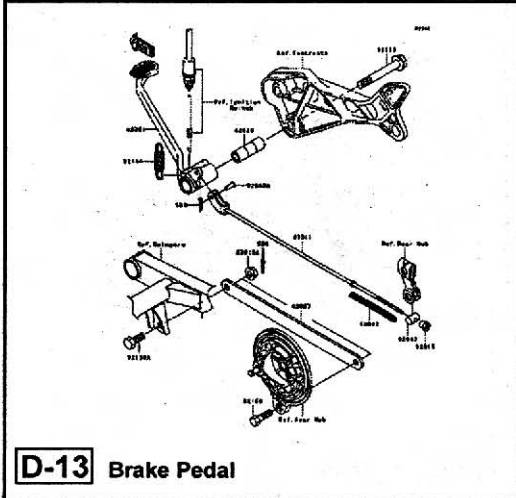
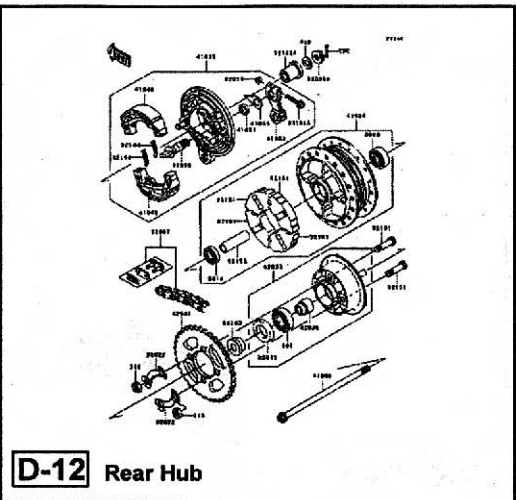
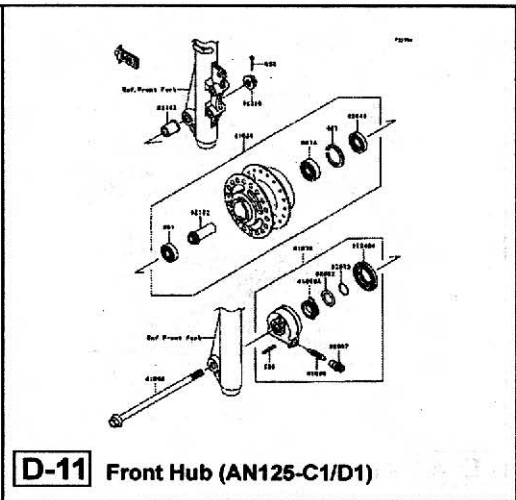
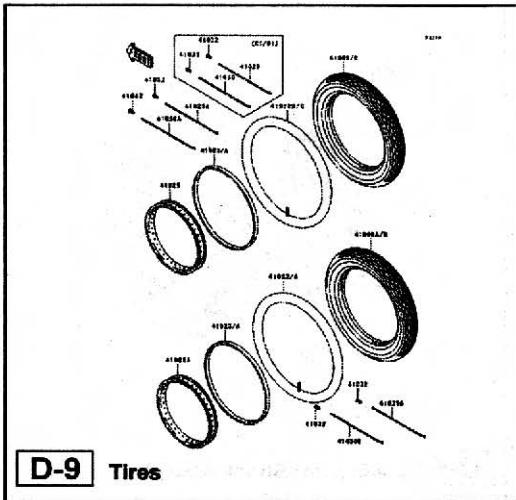
D-7 Fenders



D-8 Stand(s)

This catalog covers:
'04 AN125-A1/C1/D1 Engine

GRID No. This grid covers:
D-2 Pictorial Index

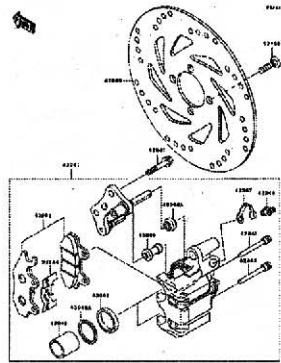


D-13 Brake Pedal

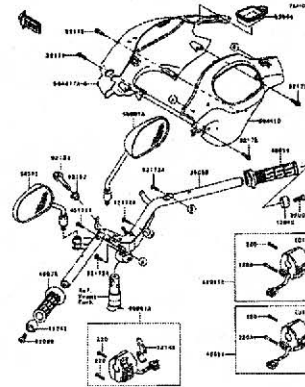
D-14 Front Master Cylinder (AN125-C1/D1)

This catalog covers:
'04 AN125-A1/C1/D1 Engine

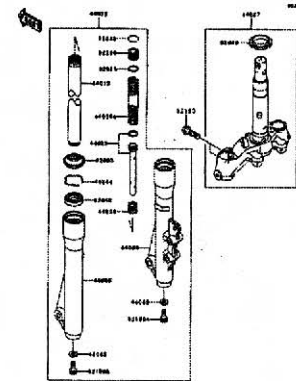
GRID No. This grid covers:
E-1 Pictorial Index



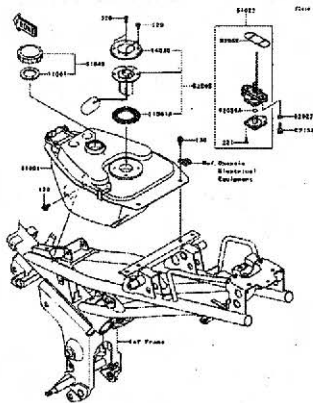
E-3 Front Brake (AN125-C1/D1)



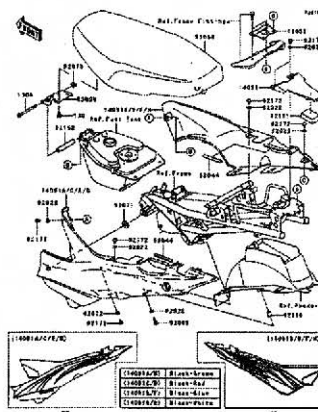
E-5 Handlebar (AN125-C1/D1)



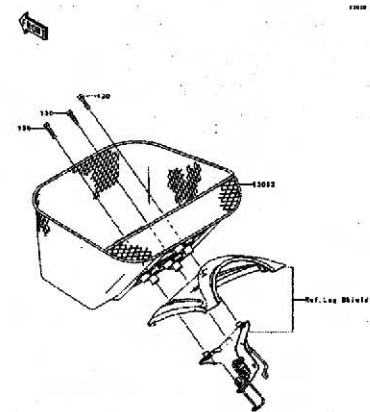
E-7 Front Fork (AN125-C1/D1)



E-8 Fuel Tank



E-9 Seat



E-11 Carrier (s)

This catalog covers:

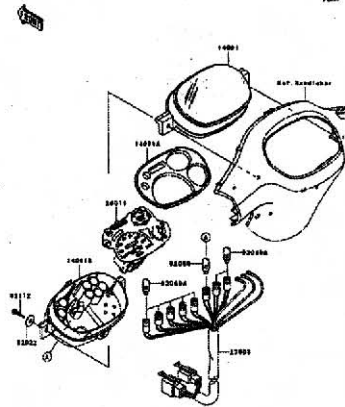
'04 AN125-A1/C1/D1 Engine

GRID No.

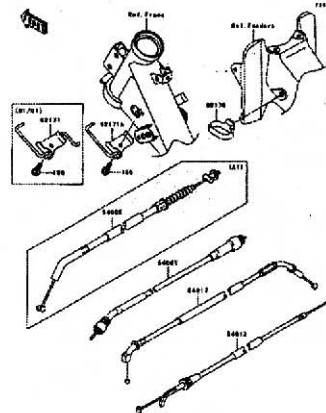
E-2

This grid covers:

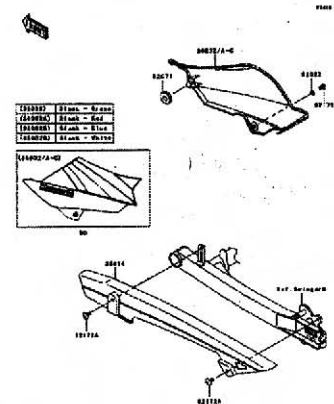
Pictorial Index



E-12 Meter (s)



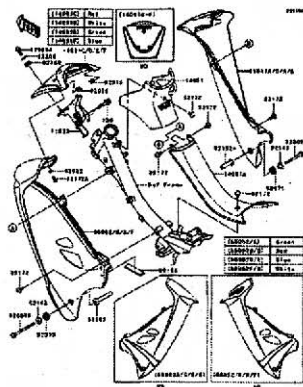
E-13 Cables



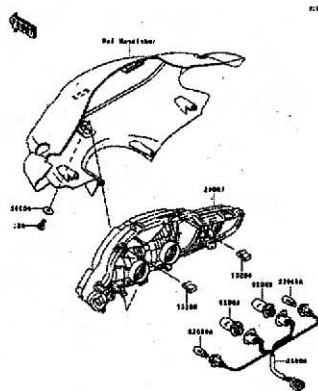
E-14 Side Covers / Chain Cover

This catalog covers:
'04 AN125-A1/C1/D1 Engine

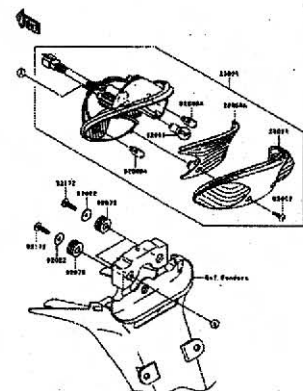
GRID No. **F-1** This grid covers:
Pictorial Index



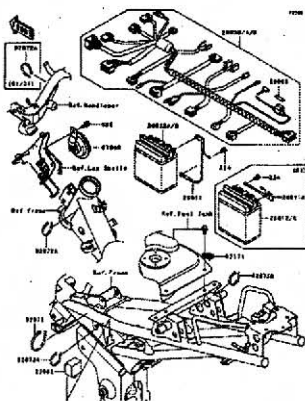
F-4 Leg Shield (AN125-D1)



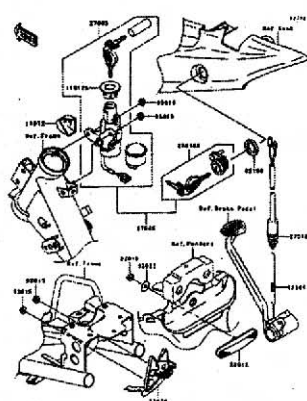
F-5 Headlight(s)



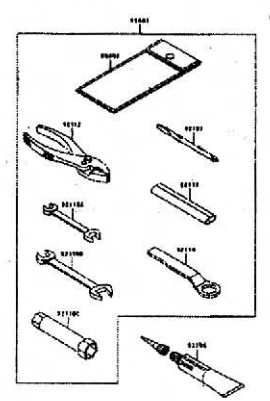
F-6 Taillight(s)



F-7 Chassis Electrical Equipment



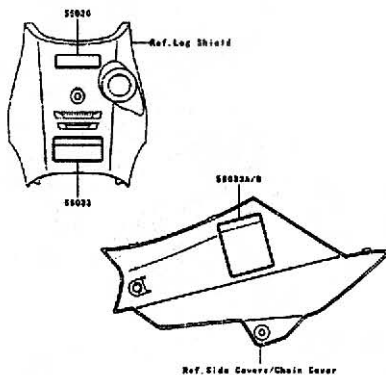
F-8 Ignition Switch



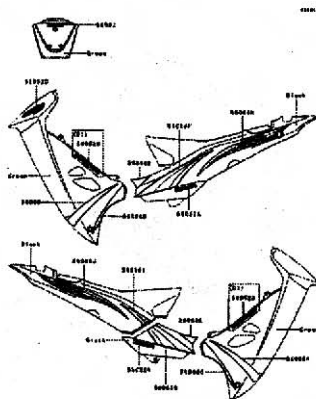
F-9 Owner's Tools

This catalog covers:
'04 AN125-A1/C1/D1 Engine

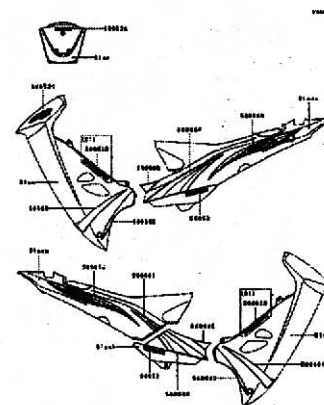
GRID No. This grid covers:
F-2 Pictorial Index



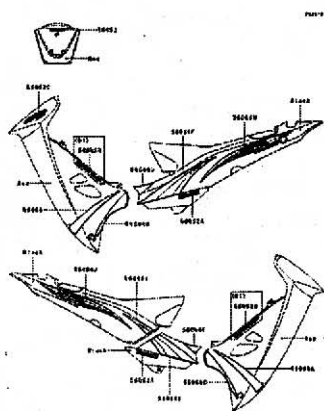
F-10 Labels



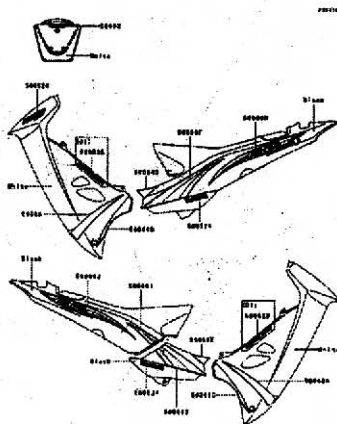
F-11 Decals (Green)



F-12 Decals (Blue)



F-13 Decals (Red)



F-14 Decals (White)

This catalog covers:

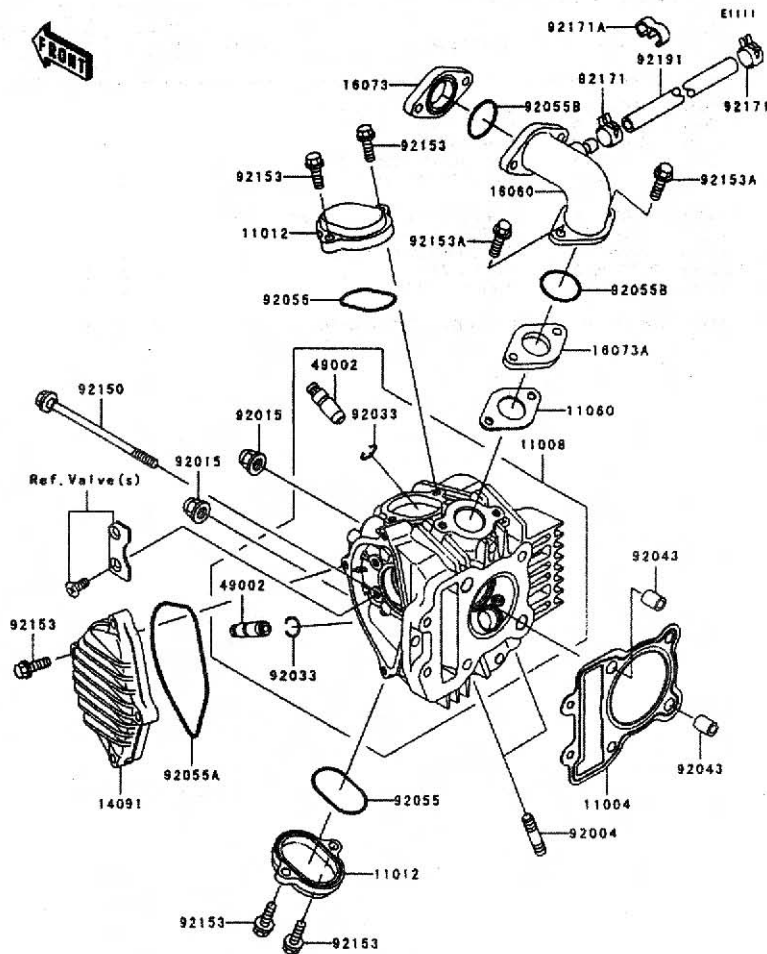
'04 AN125-A1/C1/D1 Engine

GRID NO.

B-3

This grid covers:

Cylinder Head



Ref. No.	Part No.	Description	Spec Code	Quantity-AN125		
				'04 A1	'04 C1	'04 D1
11004	11004-0009	GASKET-HEAD		1	1	1
11008	11008-1431	HEAD-COMP-CYLINDER		1	1	1
11012	11012-1303	CAP,VALVE ADJUSTING		2	2	2
11060	11060-1794	GASKET,INTAKE PIPE		1	1	1
14091	14091-1447	COVER,CAMSHAFT		1	1	1
16060	16060-1079	PIPE-INTAKE		1	1	1
16073	16073-1102	INSULATOR,CARBURETOR		1	1	1
16073A	16073-1108	INSULATOR,HEAD		1	1	1
49002	49002-1130	GUIDE-VALVE	AR	AR	AR	
92004	92004-1234	STUD		2	2	2
92015	92015-1151	NUT,CAP,8MM		4	4	4
92033	92033-1247	RING-SNAP		2	2	2
92043	92043-1264	PIN,8.2X10X14		2	2	2
92055	92055-1231	RING-O,ADJUST CAP		2	2	2
92055A	92055-1527	RING-O,91X2.5		1	1	1
92055B	92055-1528	RING-O,25.5X2.0		2	2	2
92150	92150-1761	BOLT,6X106		2	2	2
92153	92153-1184	BOLT,M6X20		8	8	8
92153A	92153-1187	BOLT,M6X30		2	2	2
92171	92171-1051	CLAMP		2	2	2
92171A	92171-1184	CLAMP		1	1	1
92191	92191-1734	TUBE,4.5X9.5X410 WHITE		1	1	1

This catalog covers:

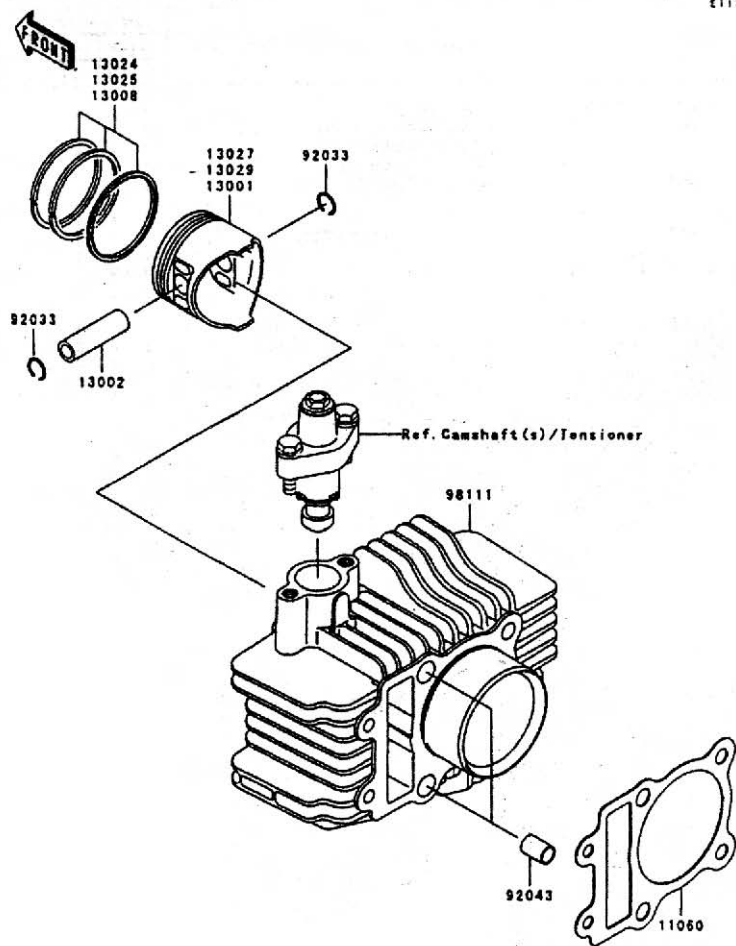
'04 AN125-A1/C1/D1 Engine

GRID NO.

B-4

This grid covers:

Cylinder/Piston(s)



Ref. No.	Part No.	Description	Spec Code	Quantity-AN125		
				'04 A1	'04 C1	'04 D1
11060	11060-1796	GASKET,CYLINDER BASE		1	1	1
13001	13001-0019	PISTON-ENGINE,STD		1	1	1
13002	13002-1123	PIN-PISTON		1	1	1
13008	13008-0006	RING-SET-PISTON,STD		1	1	1
13024	13024-0005	RING-SET-PISTON LL,O/S 1.00		1	1	1
13025	13025-0006	RING-SET-PISTON L,O/S 0.50		1	1	1
13027	13027-0007	PISTON-ENGINE LL,O/S 1.00		1	1	1
13029	13029-0008	PISTON-ENGINE L,O/S 0.50		1	1	1
92033	92033-1072	RING-SNAP		2	2	2
92043	92043-1264	PIN,8.2X10X14		2	2	2
98111	98111-0007	CYLINDER-COMP-ENGINE		1	1	1

This catalog covers:

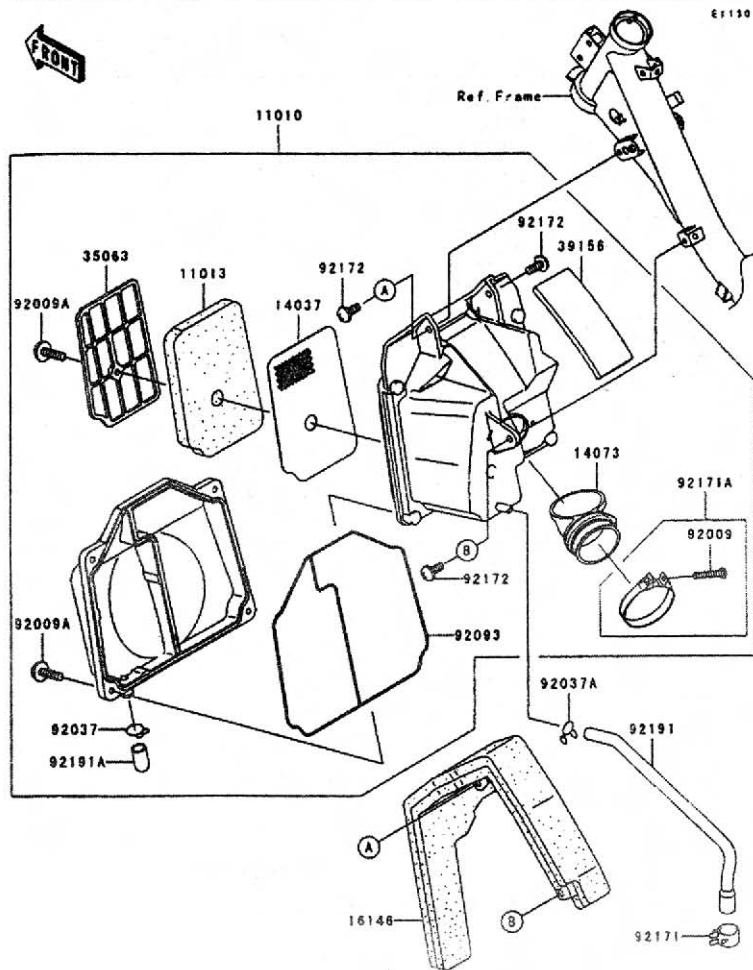
'04 AN125-A1/C1/D1 Engine

GRID NO.

B-5

This grid covers:

Air Cleaner



Ref. No.	Part No.	Description	Spec Code	Quantity-AN125		
				'04 A1	'04 C1	'04 D1
11010	11010-1772	FILTER-ASSY-AIR		1	1	1
11013	11013-1293	ELEMENT-AIR FILTER		1	1	1
14037	14037-1297	SCREEN,AIR FILTER		1	1	1
14073	14073-1810	DUCT		1	1	1
16146	16146-1228	COVER-ASSY,AIR FILTER		1	1	1
35063	35063-1210	STAY,AIR FILTER		1	1	1
39156	39156-1696	PAD,AIR CLEANER		1	1	1
92009	92009-1985	SCREW		1	1	1
92009A	92009-1986	SCREW,5X25		5	5	5
92037	92037-1900	CLAMP,14.5MM		1	1	1
92037A	92037-1972	CLAMP,TUBE		1	1	1
92093	92093-1568	SEAL,AIR FILTER		1	1	1
92171	92171-1055	CLAMP		1	1	1
92171A	92171-1436	CLAMP		1	1	1
92172	92172-0004	SCREW,6X14		3	3	3
92191	92191-1684	TUBE,BREATHER		1	1	1
92191A	92191-1685	TUBE,DRAIN		1	1	1

This catalog covers:

'04 AN125-A1/C1/D1 Engine

GRID NO.

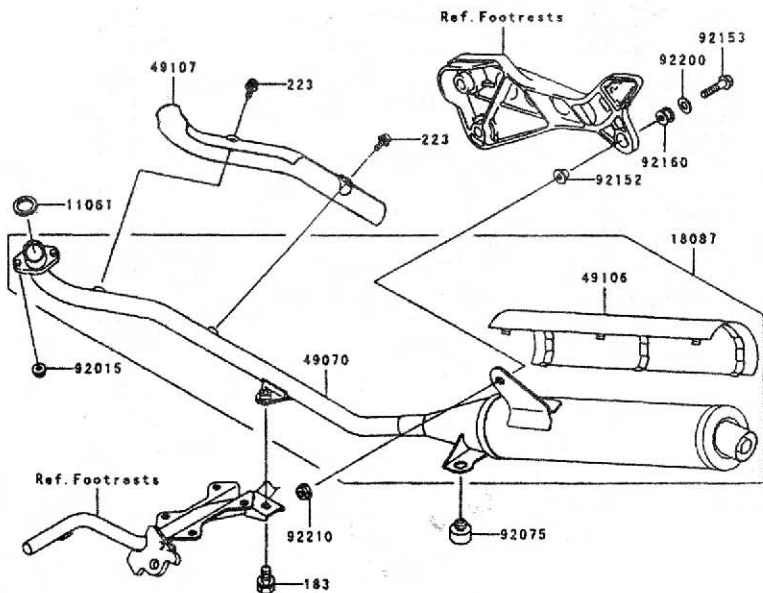
B-6

This grid covers:

Muffler(s)

E1140

FRONT



Ref. No.	Part No.	Description	Spec Code	Quantity-AN125		
				'04 A1	'04 C1	'04 D1
11061	11061-1112	GASKET,EXHAUST PIPE	1	1	1	
18087	18087-0028	MUFFLER	1	1	1	
49070	49070-1166	MUFFLER-COMP	1	1	1	
49106	49106-0015	COVER-MUFFLER	1	1	1	
49107	49107-1121	COVER-EXHAUST PIPE	1	1	1	
92015	92015-1331	NUT	2	2	2	
92075	92075-015	DAMPER	1	1	1	
92152	92152-1104	COLLAR	1	1	1	
92153	92153-1186	BOLT,M8X35	1	1	1	
92160	92160-1115	DAMPER	1	1	1	
92200	92200-1446	WASHER	1	1	1	
92210	92210-1376	NUT,FLANGED,8MM	1	1	1	
183	183H0816	BOLT-UPSET-WS-SMALL	1	1	1	
223	223X0610	SCREW-PAN-WS-CROS	2	2	2	

This catalog covers:

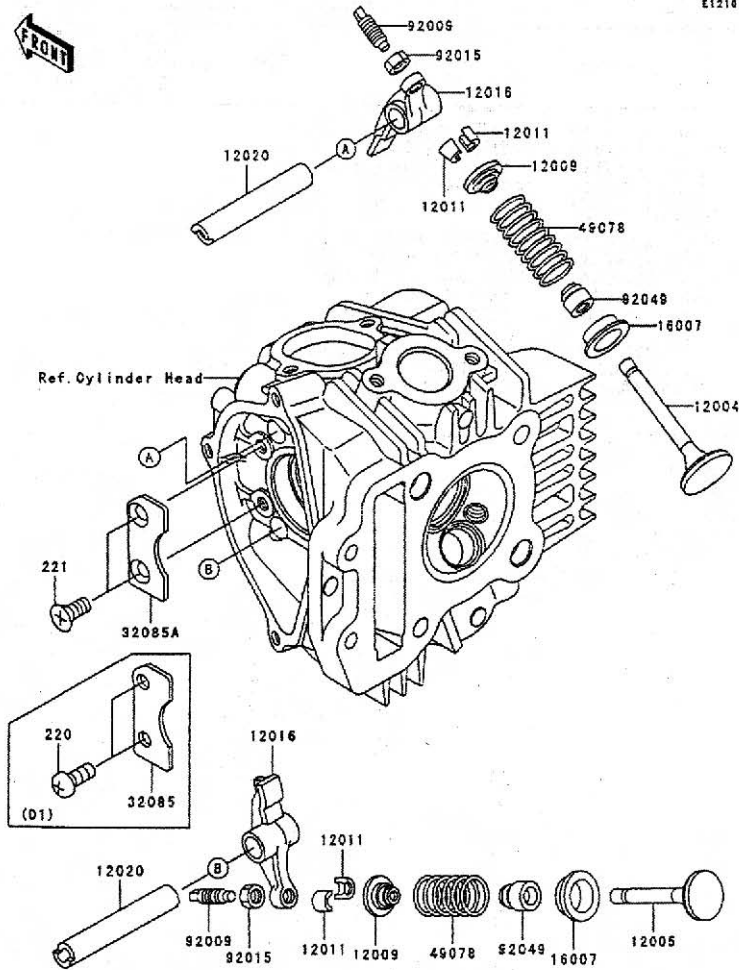
'04 AN125-A1/C1/D1 Engine

GRID No.

B-7

This grid covers:

Valve(s)



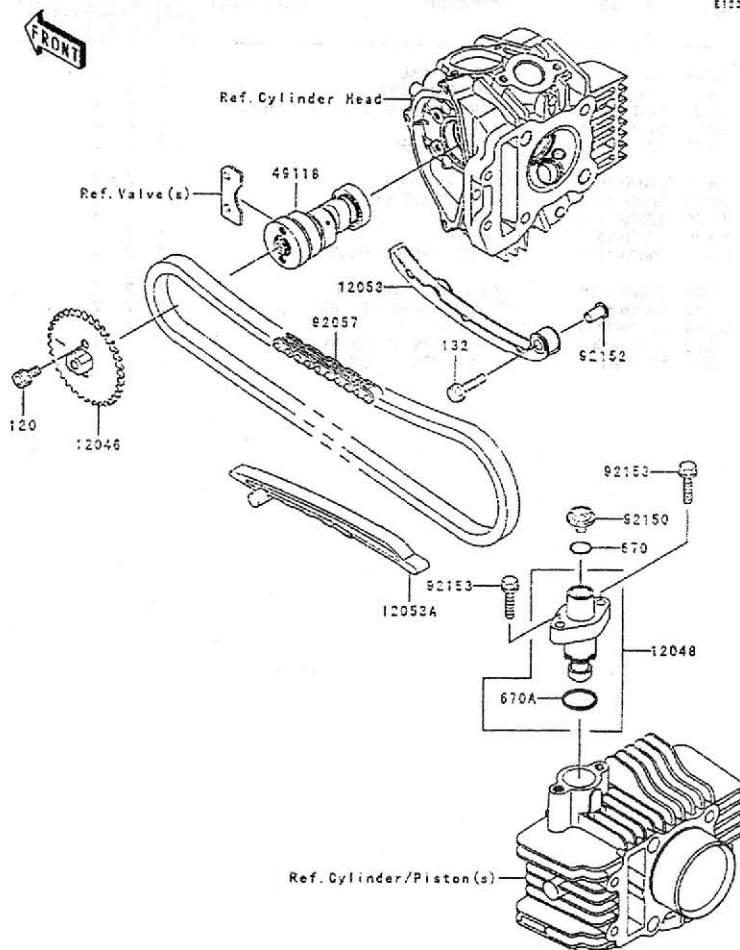
E1216

Ref. No.	Part No.	Description	Spec Code	Quantity-AN125			
				'04	'04	'04	
				A1	C1	D1	
12004	12004-1158	VALVE - INTAKE	1	1	1		
12005	12005-1331	VALVE - EXHAUST	1	1	1		
12009	12009-1073	RETAINER - VALVE SPRING, EXHAUST	2	2	2		
12011	12011-1053	COLLET	4	4	4		
12016	12016-0001	ARM - ROCKER	2	2	2		
12020	12020-1073	SHAFT - ROCKER	2	2	2		
16007	16007-1187	SEAT - SPRING, VALVE	2	2	2		
32085	32085-1428	STOPPER			1		
32085A	32085-1553	STOPPER	1	1			
49078	49078-1151	SPRING - ENGINE VALVE	2	2	2		
92009	92009-1109	SCREW, VALVE ADJUST	2	2	2		
92015	92015-1137	NUT, VALVE ADJUST LOCK	2	2	2		
92049	92049-1349	SEAL - OIL	2	2	2		
220	220B0614	SCREW - PAN - CROS, 6X14			2		
221	221B0614	SCREW - CSK - CROS, 6X14	2	2			

This catalog covers:
 '04 AN125-A1/C1/D1 Engine

GRID No.
B-9

This grid covers:
Camshaft(s)/Tensioner(AN125-D1)



E1220A

Ref. No.	Part No.	Description	Spec Code	Quantity-AN125		
				'04	'04	'04
				A1	C1	D1
12046	12046-1206	SPROCKET, CAM CHAIN, 36T				1
12048	12048-1164	TENSIONER - ASSY				1
12053	12053-1397	GUIDE - CHAIN, LOSSE				1
12053A	12053-1461	GUIDE - CHAIN				1
49118	49118-1208	CAMSHAFT - COMP				1
92057	92057-0032	CHAIN, CAM				1
92150	92150-1380	BOLT, TENSIONER				1
92152	92152-1369	COLLAR, CHAIN GUIDE				1
92153	92153-1185	BOLT, M 6X25				2
120	120P0612	BOLT - SOCKET, 6X12				2
132	132G0625	BOLT - FLANGED - SMALL				1
670	670D2010	O RING				1
670A	670D2021	O RING, 21 MM				1

This catalog covers:

'04 AN125-A1/C1/D1 Engine

GRID No.

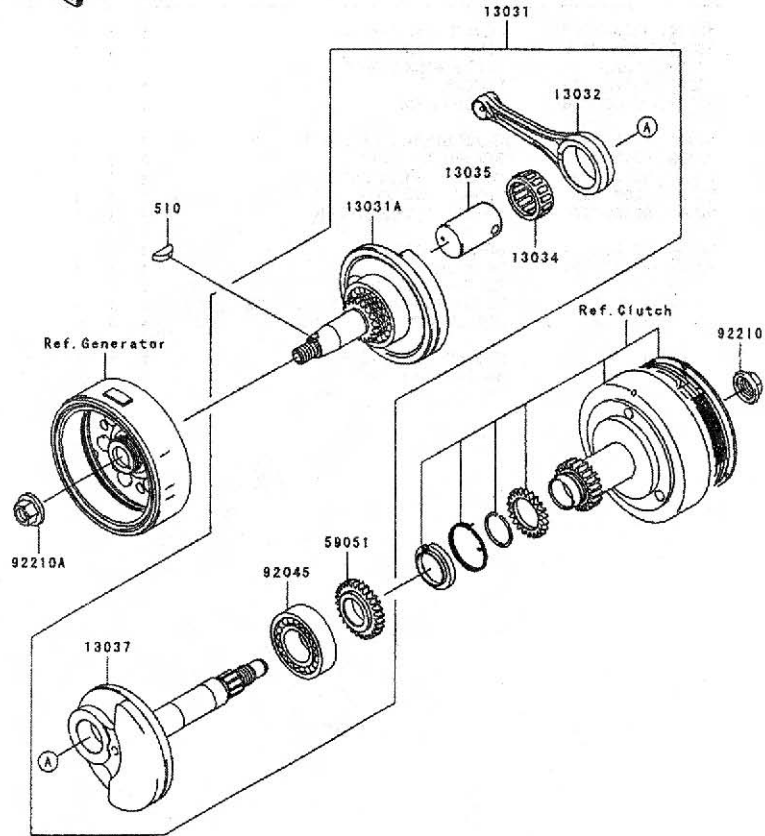
B-10

This grid covers:

Crankshaft

E1321

FRONT



Ref. No.	Part No.	Description	Spec Code	Quantity-AN125		
				'04 A1	'04 C1	'04 D1
13031	13031-0010	CRANKSHAFT - COMP		1	1	1
13031A	13031-0011	CRANKSHAFT - COMP, LH		1	1	1
13032	13032-1277	ROD - CONNECTING, NG		1	1	1
13034	13034-0001	BEARING - BIG END		1	1	1
13035	13035-1092	PIN - CRANK		1	1	1
13037	13037-0008	CRANKSHAFT, RH		1	1	1
59051	59051-1402	GEAR - SPUR		1	1	1
92045	92045-1293	BEARING - BALL		1	1	1
92210	92210-1374	NUT, 14MM		1	1	1
92210A	92210-1375	NUT, FLANGED, 12MM		1	1	1
510	510A3200	KEY - WOODRUFF		1	1	1

This catalog covers:

'04 AN125-A1/C1/D1 Engine

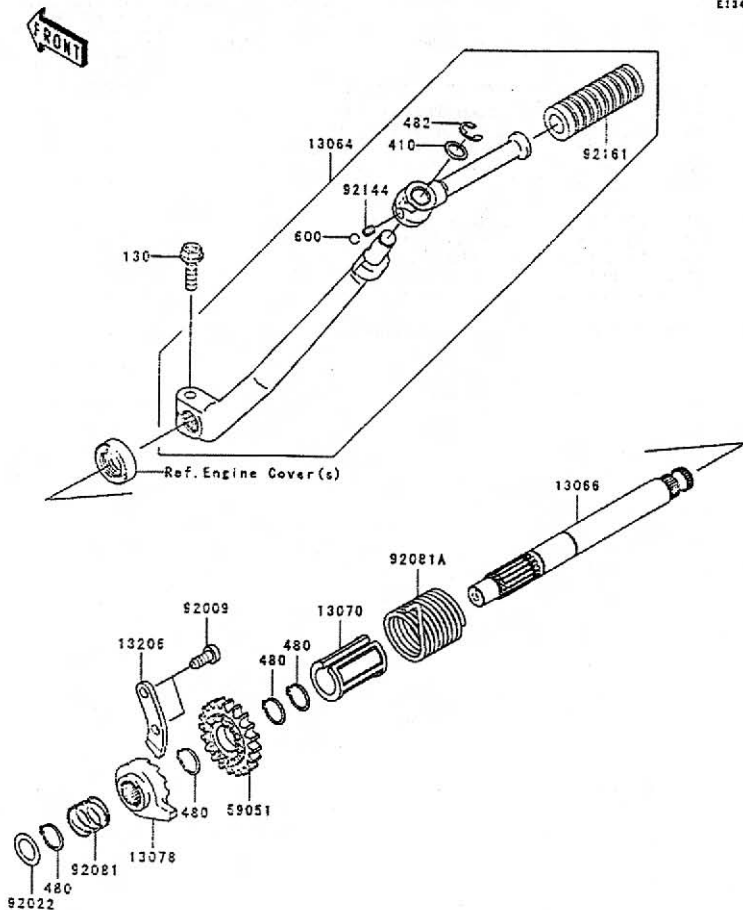
GRID No.

B-11

This grid covers:

Kickstarter Mechanism

E1340



Ref. No.	Part No.	Description	Spec Code	Quantity-AN125		
				'04 A1	'04 C1	'04 D1
13064	13064-1203	LEVER - ASSY - KICK	1	1	1	
13066	13066-1108	SHAFT, KICK	1	1	1	
13070	13070-1035	GUIDE, KICK SHAFT	1	1	1	
13078	13078-1069	RATCHET	1	1	1	
13206	13206-1006	GUIDE - KICK	1	1	1	
59051	59051-1404	GEAR-SPUR, KICK STARTER, 22T	1	1	1	
92009	92009-1104	SCREW, TAPPING	2	2	2	
92022	92022-1224	WASHER, 13.2X20X0.5	1	1	1	
92081	92081-122	SPRING, RATCHET	1	1	1	
92081A	92081-1276	SPRING, KICK STARTER	1	1	1	
92144	92144-1791	SPRING, KICK PEDAL	1	1	1	
92161	92161-1250	DAMPER	1	1	1	
130	130P0622	BOLT - FLANGED	1	1	1	
410	410B1000	WASHER - PLAIN - SMALL, 10MM	1	1	1	
480	480J1600	CIRCLIP - TYPE - C, 16MM	4	4	4	
482	482L8000	CIRCLIP - TYPE - E, 8MM	1	1	1	
600	600A0800	BALL - STEEL, 1/4"	1	1	1	

This catalog covers:

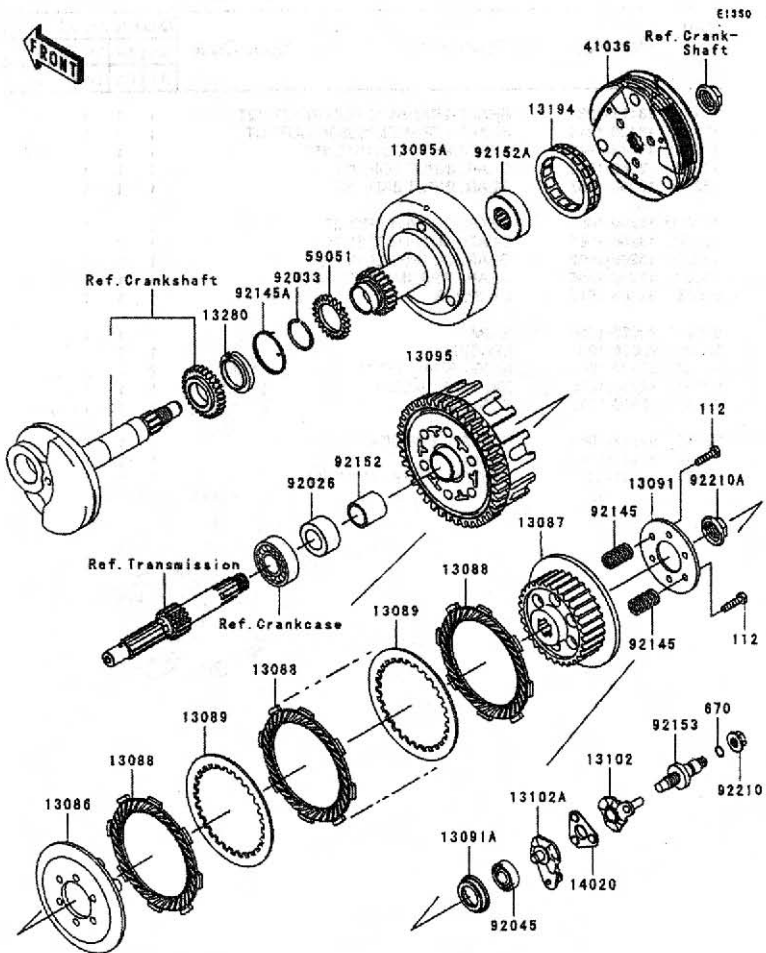
'04 AN125-A1/C1/D1 Engine

GRID No.

B-12

This grid covers:

Clutch



Ref. No.	Part No.	Description	Spec Code	Quantity-AN125		
				'04 A1	'04 C1	'04 D1
13086	13086-1065	WHEEL - CLUTCH	1	1	1	
13087	13087-1151	HUB - CLUTCH	1	1	1	
13088	13088-1142	PLATE - FRICTION	5	5	5	
13089	13089-1087	PLATE -CLUTCH	4	4	4	
13091	13091-1782	HOLDER, CLUTCH	1	1	1	
13091A	13091-1787	HOLDER	1	1	1	
13095	13095-1403	HOUSING - COMP - CLUTCH	1	1	1	
13095A	13095-1422	HOUSING - COMP - CLUTCH	1	1	1	
13102	13102-1135	RELEASE -COMP - CLUTCH	1	1	1	
13102A	13102-1136	RELEASE - COMP - CLUTCH	1	1	1	
13194	13194-1103	CLUTCH - ONEWAY	1	1	1	
13280	13280-1250	HOLDER, CLUTCH	1	1	1	
14020	14020-1100	RETAINER	1	1	1	
41036	41036-1364	HUB - ASSY, CLUTCH	1	1	1	
59051	59051-1403	GEAR - SPUR, CLUTCH, 22T	1	1	1	
92026	92026-1605	SPACER	1	1	1	
92033	92033-1065	RING - SNAP, 23.5MM	1	1	1	
92045	92045-1123	BEARING - BALL, #628	1	1	1	
92145	92145-1456	SPRING, CLUTCH HUB	4	4	4	
92145A	92145-1457	SPRING, CLUTCH HOLDER	1	1	1	
92152	92152-0113	COLLAR, 17X22X22.7	1	1	1	
92152A	92152-1370	COLLAR, 19X39.9X13	1	1	1	
92153	92153-0525	BOLT, CLUTCH RELEASE	1	1	1	
92210	92210-0004	NUT, FLANGED, 8MM	1	1	1	
92210A	92210-1374	NUT, 14MM	1	1	1	
112	112G0520	BOLT-UPSET	4	4	4	
670	670B1508	O RING, 8MM	1	1	1	

This catalog covers:

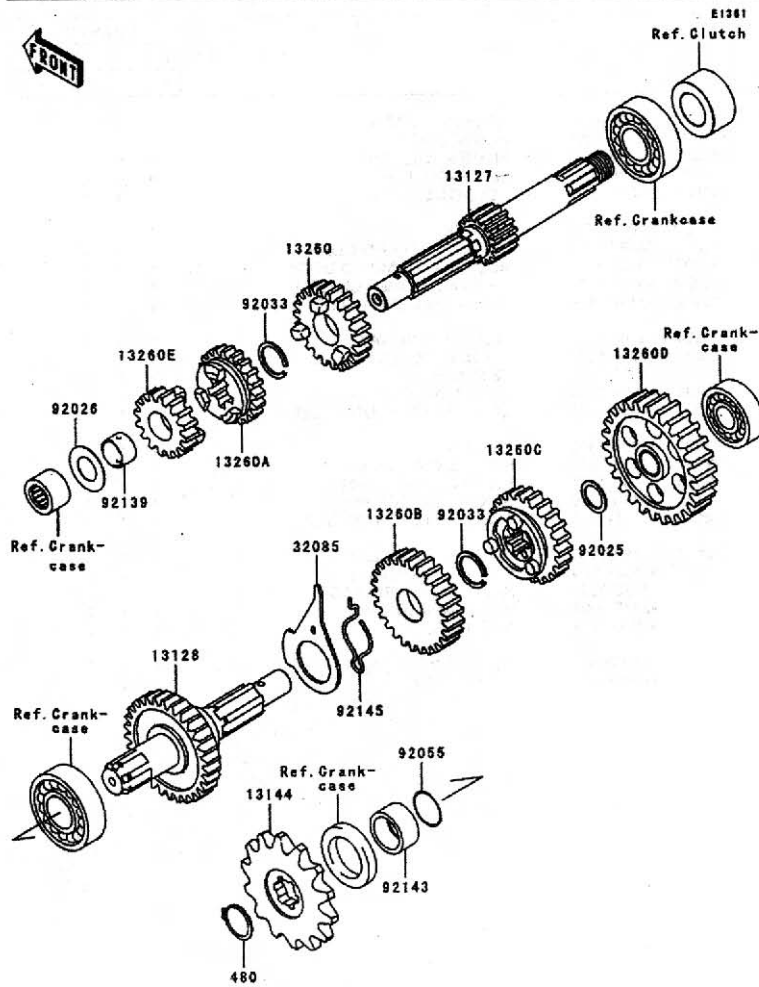
'04 AN125-A1/C1/D1 Engine

GRID No.

B-13

This grid covers:

Transmission



Ref. No.	Part No.	Description	Spec Code	Quantity-AN125			
				'04	'04	'04	
				A1	C1	D1	
13127	13127-1280	SHAFT-TRANSMISSION INPUT, 12T	1	1	1		
13128	13128-1244	SHAFT - TRANSMISSION OUTPUT	1	1	1		
13144	13144-1145	SPROCKET - OUTPUT, 15T	1	1	1		
13260	13260-1840	GEAR, INPUT TOP, 23T	1	1	1		
13260A	13260-1857	GEAR, INPUT 3RD, 20T	1	1	1		
13260B	13260-1860	GEAR, OUTPUT 3RD, 27T	1	1	1		
13260C	13260-1861	GEAR, OUTPUT TOP, 25T	1	1	1		
13260D	13260-1862	GEAR, OUTPUT LOW, 36T	1	1	1		
13260E	13260-1986	GEAR - TRANSMISSION SPUR	1	1	1		
32085	32085-1515	STOPPER	1	1	1		
92025	92025-1280	SHIM	1	1	1		
92026	92026-1091	SPACER	1	1	1		
92033	92033-1060	RING - SNAP, 17MM	2	2	2		
92055	92055-1235	RING - O, 16.8MM	1	1	1		
92139	92139-1102	BUSHING	1	1	1		
92143	92143-1680	COLLAR, SPROCKET	1	1	1		
92145	92145-1381	SPRING	1	1	1		
480	480J1700	CIRCLIP - TYPE - C, 17MM	1	1	1		

This catalog covers:

'04 AN125-A1/C1/D1 Engine

GRID No.

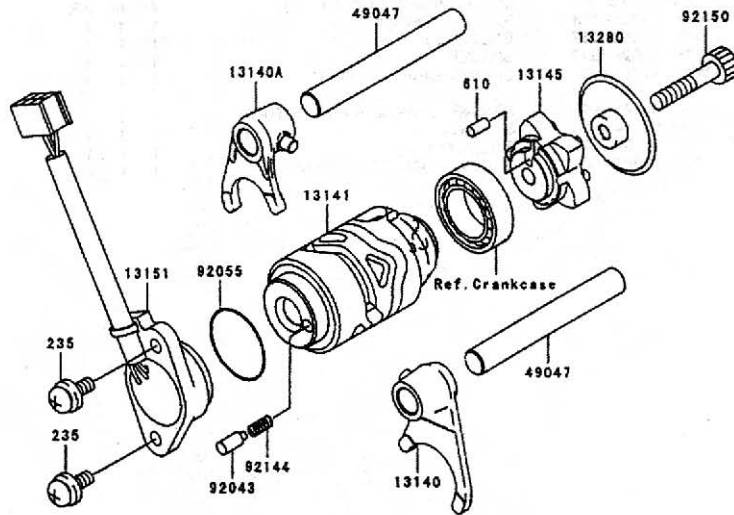
B-14

This grid covers:

Gear Change Drum/Shift Fork(s)



E1332



Ref. No.	Part No.	Description	Spec Code	Quantity-AN125		
				'04	'04	'04
				A1	C1	D1
13140	13140-1263	FORK - SHIFT	1	1	1	
13140A	13140-1289	FORK - SHIFT	1	1	1	
13141	13141-1222	DRUM - CHANGE	1	1	1	
13145	13145-1093	CAM - CHANGE DRUM	1	1	1	
13151	13151-1070	SWITCH - COMP, NEUTRAL	1	1	1	
13280	13280-1228	HOLDER	1	1	1	
49047	49047-1058	ROD - SHIFT	2	2	2	
92043	92043-1385	PIN	1	1	1	
92055	92055-091	RING - O	1	1	1	
92144	92144-1245	SPRING	1	1	1	
92150	92150-1433	BOLT, SOCKET, 6X30	1	1	1	
235	235B0514	SCREW - PAN - WP - CROS	2	2	2	
610	610A0408	ROLLER, 4X8	1	1	1	

This catalog covers:

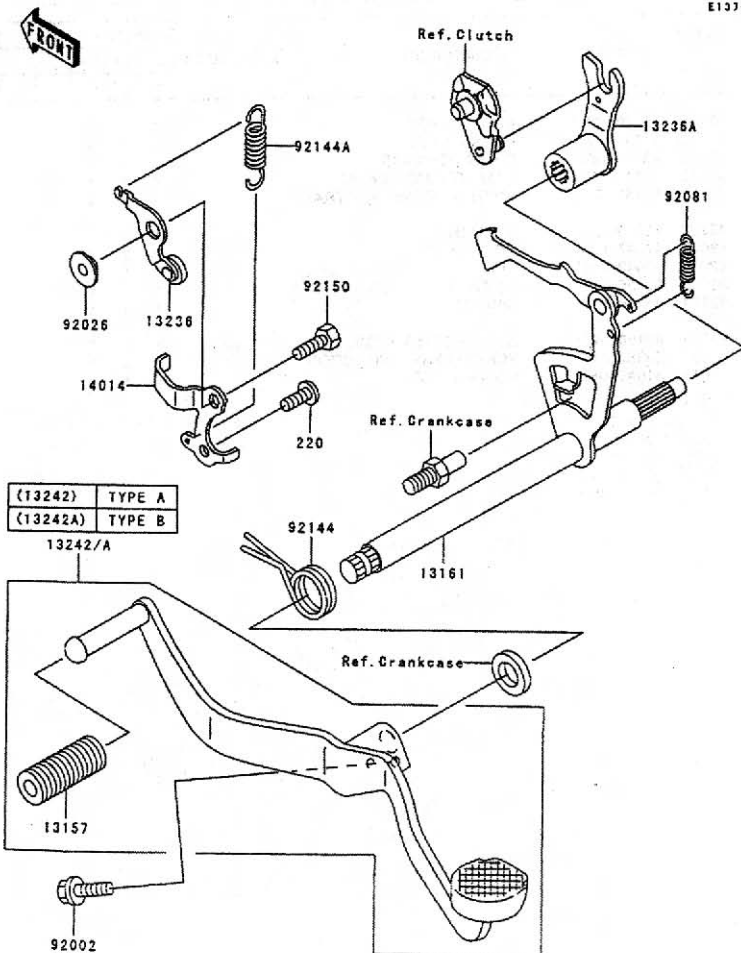
'04 AN125-A1/C1/D1 Engine

GRID No.

C-3

This grid covers:

Gear Change Mechanism



E1376

Ref. No.	Part No.	Description	Spec Code	Quantity-AN125		
				'04	'04	'04
				A1	C1	D1
13157	13157-004	DAMPER, CHANGE PEDAL	1	1	1	
13161	13161-0003	LEVER - COMP - CHANGE SHAFT	1	1	1	
13236	13236-1256	LEVER - COMP, POSITION	1	1	1	
13236A	13236-1288	LEVER - COMP	1	1	1	
13242	13242-1381	LEVER - ASSY - CHANGE, (A)	1	1	1	
13242A	13242-1382	LEVER - ASSY - CHANGE, (B)	AR	AR	AR	
14014	14014-1118	PLATE - POSITION	1	1	1	
92002	92002-1237	BOLT, 6X20	1	1	1	
92026	92026-1217	SPACER	1	1	1	
92181	92081-076	SPRING, CHANGE LEVER	1	1	1	
92144	92144-1107	SPRING, CHANGE SHAFT RETURN	1	1	1	
92144A	92144-1590	SPRING	1	1	1	
92150	92150-1826	BOLT, 6X14	1	1	1	
220	220B0614	SCREW - PAN - CROS, 6X14	1	1	1	

This catalog covers:

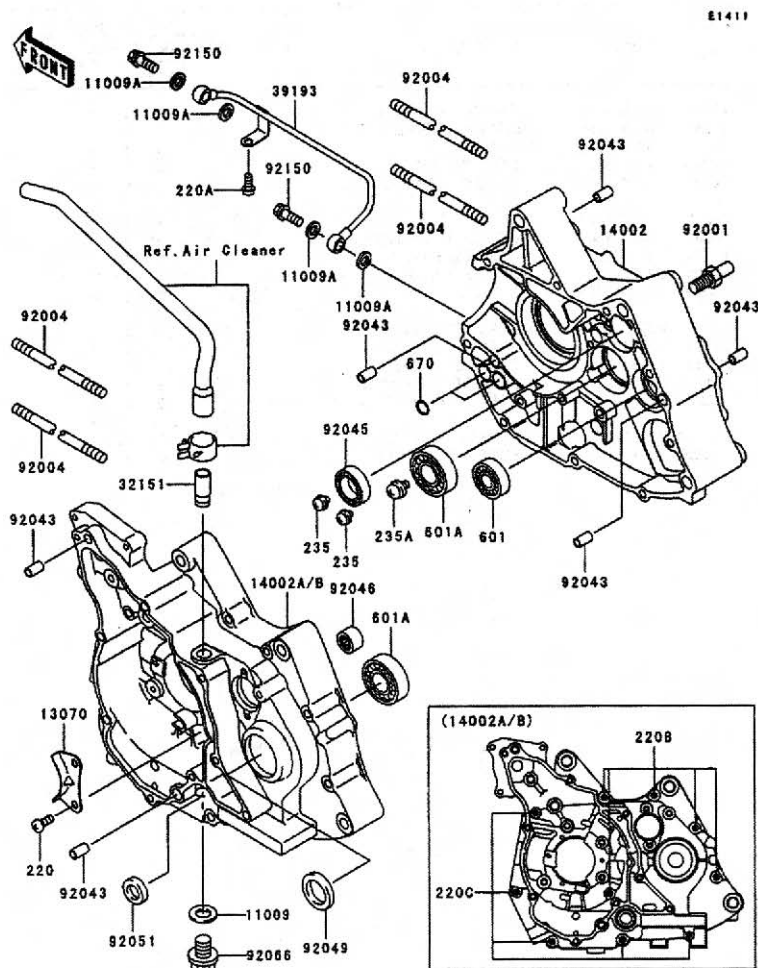
'04 AN125-A1/C1/D1 Engine

GRID No.

C-4

This grid covers:

Crankcase



E1411

Ref. No.	Part No.	Description	Spec Code	Quantity-AN125		
				'04 A1	'04 C1	'04 D1
11009	11009-1332	GASKET, DRAIN PLUG		1	1	1
11009A	11009-1344	GASKET, 8.2X14X1.0		4	4	4
13070	13070-1319	GUIDE		1	1	1
14002	14002-1971	CRANKCASE, RH		1	1	1
14002A	14002-1972	CRANKCASE, LH				1
14002B	14002-1973	CRANKCASE, LH		1	1	
32151	32151-1961	PIPE		1	1	1
39193	39193-1042	PIPE - OIL		1	1	1
92001	92001-1455	BOLT, RETUR SPRING		1	1	1
92004	92004-1281	STUD, 8X208		4	4	4
92043	92043-1263	PIN, 6.2X8X14		6	6	6
92045	92045-1171	BEARING - BALL, 6804		1	1	1
92046	92046-1148	BEARING, NEEDLE, HK1312		1	1	1
92049	92049-1048	SEAL - OIL, SC22325		1	1	1
92051	92051-005	SEAL - OIL, TB13225.5		1	1	1
92066	92066-1174	PLUG, OIL DRAIN, 12X15		1	1	1
92150	92150-1556	BOLT, BANJO, 8X20		2	2	2
220	220B0614	SCREW - PAN - CROS, 6X14		2	2	2
220A	220X0612	SCREW - PAN - CROS		1	1	1
220B	220X0650	SCREW - PAN - CROS		5	5	5
220C	220X0675	SCREW - PAN - CROS		5	5	5
235	235B0510	SCREW - PAN - WP - CROS		2	2	2
235A	235B0614	SCREW - PAN - WP - CROS		1	1	1
601	601A6201	BEARING - BALL		1	1	1
601A	601A6203	BEARING - BALL, #6203		2	2	2
670	670B1510	O RING, 10MM		2	2	2

This catalog covers:

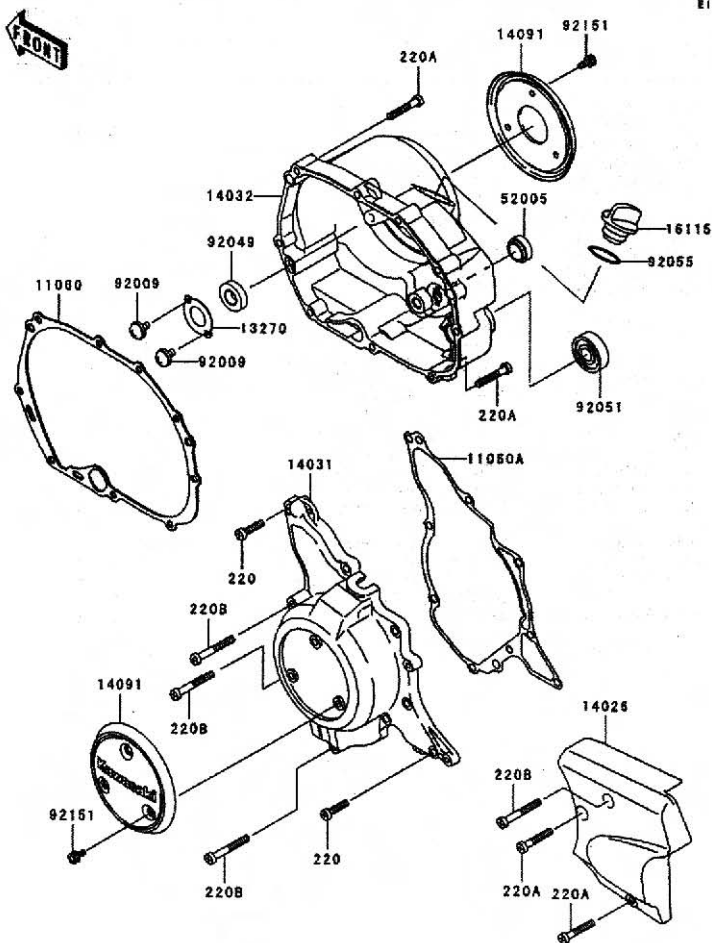
'04 AN125-A1/C1/D1 Engine

GRID No.

C-5

This grid covers:

Engine Cover(s)



E1431

Ref. No.	Part No.	Description	Spec Code	Quantity-AN125		
				'04	'04	'04
				A1	C1	D1
11060	11060-1797	GASKET, CLUTCH	1	1	1	
11060A	11060-1798	GASKET, GENERATOR	1	1	1	
13270	13270-1800	PLATE	1	1	1	
14026	14026-1284	COVER-CHAIN	1	1	1	
14031	14031-1342	COVER - GENERATOR	1	1	1	
14032	14032-1465	COVER - CLUTCH	1	1	1	
14091	14091-1444	COVER, HEAT INSULATOR	2	2	2	
16115	16115-1068	CAP - OIL FILLER	1	1	1	
52005	52005-1055	GAUGE, OIL LEVEL	1	1	1	
92009	92009-1745	SCREW	2	2	2	
92049	92049-1595	SEAL - OIL, AC0387E0	1	1	1	
92051	92051-003	SEAL - OIL, TB16267	1	1	1	
92055	92055-049	RING - O, 31.7X2.4	1	1	1	
92151	92151-1212	BOLT, SOCKET, 5X10	6	6	6	
220	220X0625	SCREW - PAN - CROS	6	6	6	
220A	220X0635	SCREW - PAN - CROS	11	11	11	
220B	220X0645	SCREW-PAN-CROS	4	4	4	

This catalog covers:

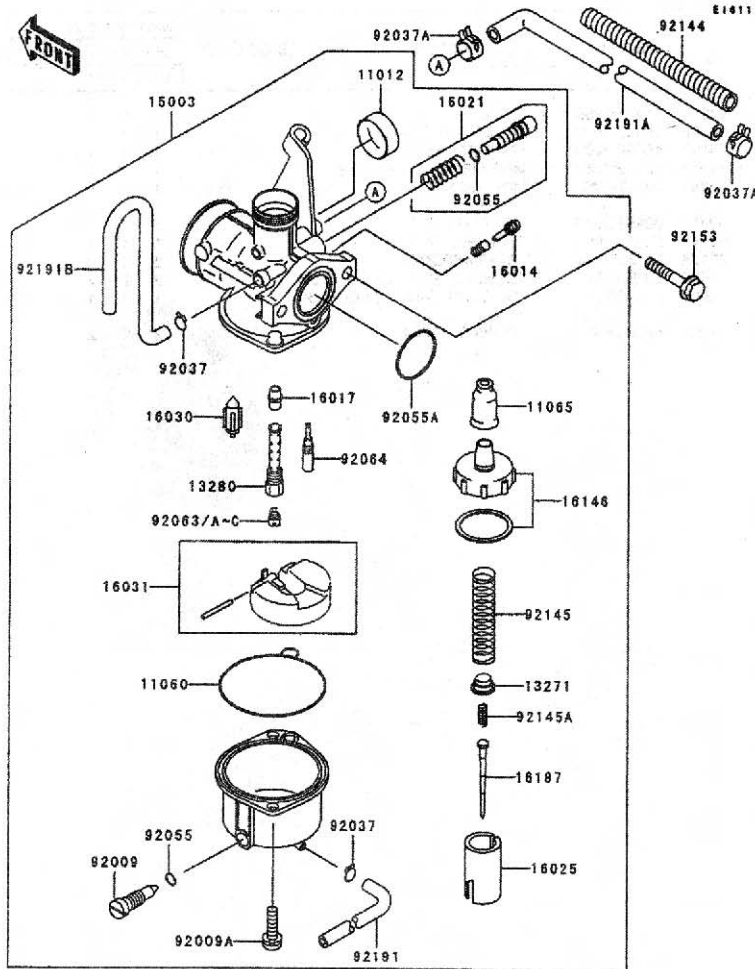
'04 AN125-A1/C1/D1 Engine

GRID No.

C-6

This grid covers:

Carburetor



Ref. No.	Part No.	Description	Spec Code	Quantity-AN125			
				'04 A1	'04 C1	'04 D1	
11012	11012-1940	CAP,CHOKE		1	1	1	
11060	11060-1700	GASKET, FLOAT CHAMBER		1	1	1	
11065	11065-1235	CAP, TOP COVER		1	1	1	
13271	13271-1668	PLATE		1	1	1	
13280	13280-1282	HOLDER, NEEDLE JET		1	1	1	
15003	15003-0020	CARBURETOR - ASSY		1	1	1	
16014	16014-1093	SCREW - PILOT AIR		1	1	1	
16017	16017-1399	JET - NEEDLE		1	1	1	
16021	16021-1203	SCREW - THROTTLE STOP		1	1	1	
16025	16025-1225	VALVE - THROTTLE		1	1	1	
16030	16030-1082	VALVE - FLOAT, FLOAT		1	1	1	
16031	16031-1107	FLOAT		1	1	1	
16146	16146-1229	COVER - ASSY, CARBURETOR TOP		1	1	1	
16187	16187-0024	NEEDLE - JET, NEQC		1	1	1	
92009	92009-1057	SCREW, DRAIN, M6X1.0		1	1	1	
92009A	92009-1750	SCREW		2	2	2	
92037	92037-1142	CLAMP, TUBE		2	2	2	
92037A	92037-1601	CLAMP		2	2	2	
92055	92055-1053	RING - O		2	2	2	
92055A	92055-1541	RING - O		1	1	1	
92063	92063-1393	JET - MAIN, #78		1	1	1	
92063A	92063-1395	JET - MAIN, #75		1	1	1	
92063B	92063-1396	JET - MAIL, #80	(OPTION)	1	1	1	
92063C	92063-1397	JET - MAIL, #82	(OPTION)	1	1	1	
92064	92064-1204	JET - PILOT, #35	(OPTION)	1	1	1	
92144	92144-1994	SPRING		1	1	1	
92145	92145-1407	SPRING THROTTLE VALVE		1	1	1	
92145A	92145-1408	SPRING, THROTTLE VALVE PLATE		1	1	1	
92153	92153-1187	BOLT, M6X30		2	2	2	
92191	92191-1142	TUBE, 3.5X6.5X298		1	1	1	
92191A	92191-1204	TUBE, FUEL		1	1	1	
92191B	92191-1768	TUBE, 3.5X6.5X350		1	1	1	

This catalog covers:

'04 AN125-A1/C1/D1 Engine

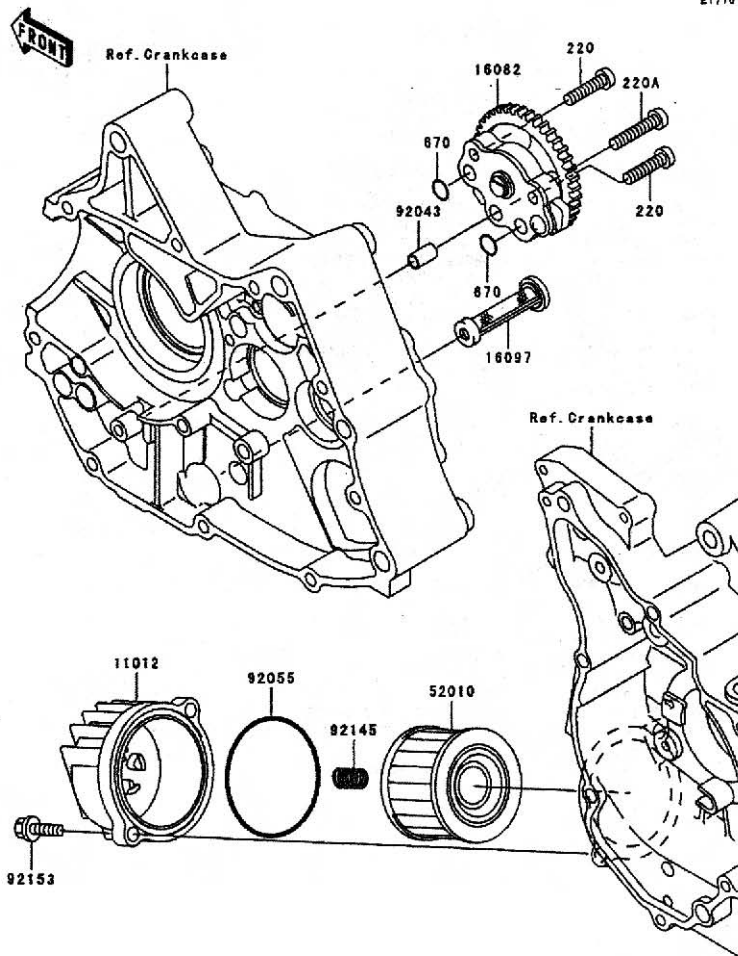
GRID No.

C-7

This grid covers:

Oil Pump

E1710



Ref. No.	Part No.	Description	Spec Code	Quantity-AN125		
				'04 A1	'04 C1	'04 D1
11012	11012-1980	CAP	1	1	1	
16082	16082-1052	PUMP - ASSY - OIL	1	1	1	
16097	16097-1071	FILTER - ASSY - OIL	1	1	1	
52010	52010-1053	ELEMENT - OIL FILTER	1	1	1	
92043	92043-1263	PIN, 6.2X8X14	1	1	1	
92055	92055-3018	RING - O	1	1	1	
92145	92142-1091	SPRING	1	1	1	
92153	92153-1184	BOLT,M6X20	2	2	2	
220	220B0625	SCREW - PAN - CROS, 6X25	2	2	2	
220A	220B0630	SCREW - PAN - CROS, 6X30	1	1	1	
670	670B1510	O RING, 10MM	2	2	2	

This catalog covers:

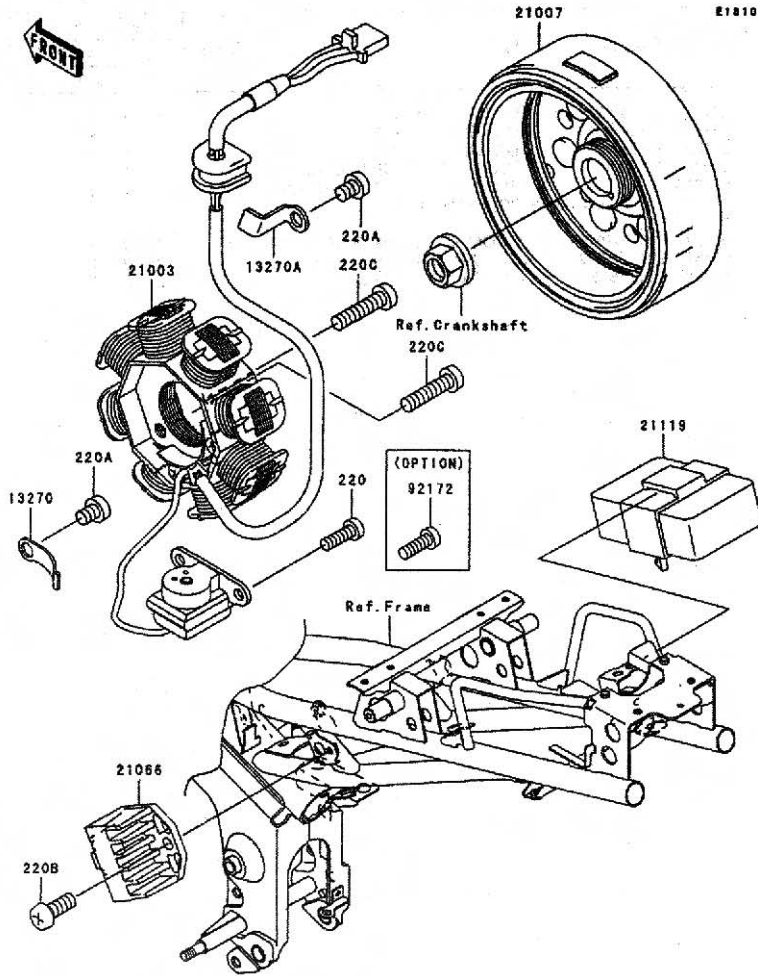
'04 AN125-A1/C1/D1 Engine

GRID No.

C-8

This grid covers:

Generator



Ref. No.	Part No.	Description	Spec Code	Quantity-AN125		
				'04 A1	'04 C1	'04 D1
13270	13270-1754	PLATE	1	1	1	
13270A	13270-1961	PLATE	1	1	1	
21003	21003-1390	STATOR	1	1	1	
21007	21007-1408	ROTOR	1	1	1	
21086	21086-1132	REGULATOR - VOLTAGE	1	1	1	
21119	21119-1601	IGNITER	1	1	1	
92172	92172-1077	SCREW, 5X14	2	2	2	
	(OPTION)					
220	220B0514	SCREW - PAN - CROS	2	2	2	
220A	220B0608	SCREW - PAN - CROS, 6X8	2	2	2	
220B	220B0614	SCREW - PAN - CROS, 6X14	1	1	1	
220C	220B0625	SCREW - PAN - CROS, 6X25	2	2	2	

This catalog covers:

'04 AN125-A1/C1/D1 Engine

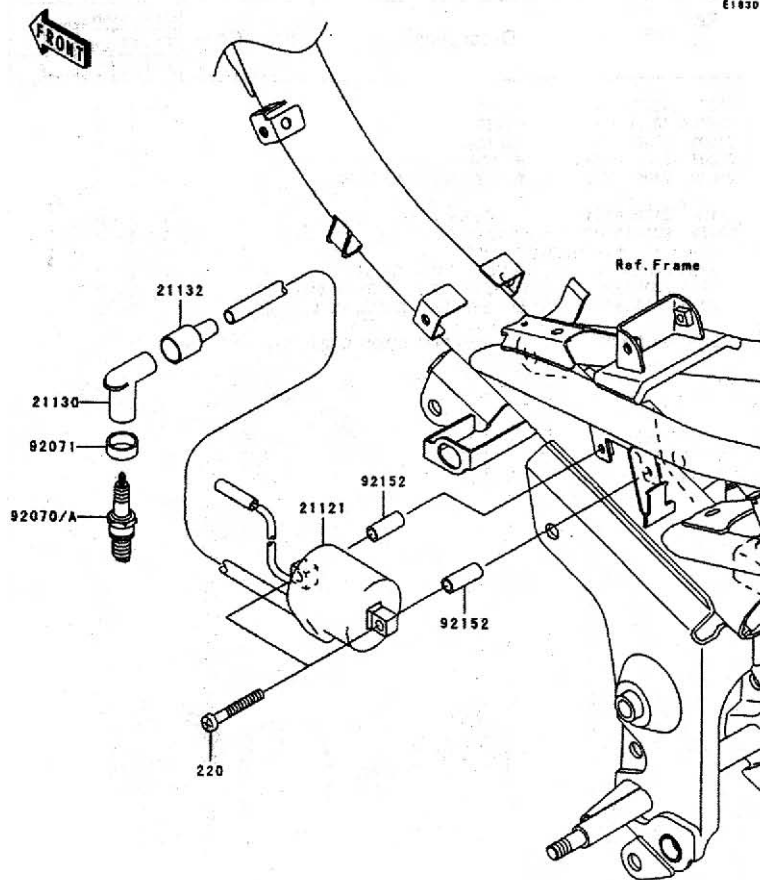
GRID No.

C-9

This grid covers:

Ignition System

E1830



Ref. No.	Part No.	Description	Spec Code	Quantity-AN125		
				'04 A1	'04 C1	'04 D1
21121	21121-1305	COIL - IGNITION	1	1	1	
21130	21130-1003	CAP-SPARK PLUG	1	1	1	
21132	21132-005	GROMMET, HIGH TENSION	1	1	1	
92070	92070-1114	PLUG - SPARK, C6HSA(NGK)	1	1	1	
92070A		PLUG - SPARK, U20FS - U(ND) (LOCAL PROCUREMENT ITEM)	1	1	1	
92071	92071-1015	GROMMET, SPARK PLUG CAP	1	1	1	
92152	92152-1372	COLLAR, 5.6X8X20	2	2	2	
220	220B0535	SCREW - PAN - CROS	2	2	2	

This catalog covers:

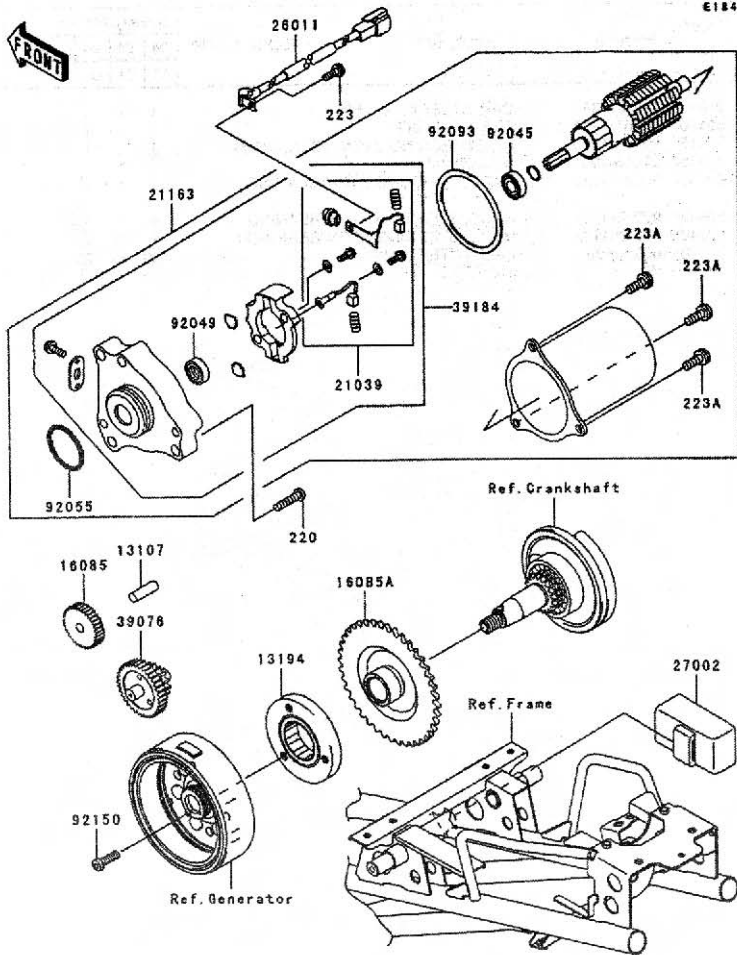
'04 AN125-A1/C1/D1 Engine

GRID No.

C-10

This grid covers:

Starter Motor(AN125-D1)



Ref. No.	Part No.	Description	Spec Code	Quantity-AN125			
				'04 A1	'04 C1	'04 D1	
13107	13107-1142	SHAFT, 8X25				1	
13194	13194-0003	CLUCH - ONEWAY				1	
16085	16085-1350	GEAR				1	
16085A	16085-1353	GEAR, 62T				1	
21039	21039-1067	BRUSH, STARTER MOTOR(SET)				1	
21163	21163-1325	STARTER - ELECTRIC				1	
26011	26011-1819	WIRE - LEAD				1	
27002	27002-1118	RELAY - ASSY				1	
39076	39076-1078	LIMITER				1	
39184	39184-1011	BRACKET - ASSY, STARTER MOTOR				1	
92045	92045-1349	BEARING - BALL, STARTER MOTOR				1	
92049	92049-1465	SEAL - OIL, STARTER MOTOR				1	
92055	92055-1276	RING - O				1	
92093	92093-1079	SEAL, STARTER MOTOR				1	
92150	92150-1907	BOLT, 6X20				3	
220	220X0625	SCREW - PAN - CROS				3	
223	223D0406	SCREW - PAN - WS - CROS				1	
223A	223D0516	SCREW - PAN - WS - CROS				3	

This catalog covers:

'04 AN125-A1/C1/D1 Engine

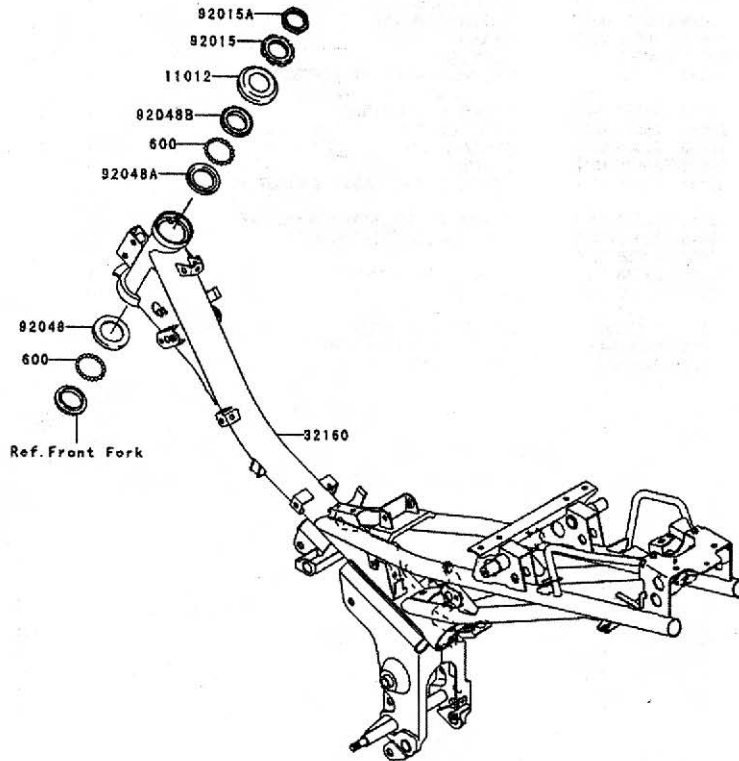
GRID No.

D-3

This grid covers:

Frame

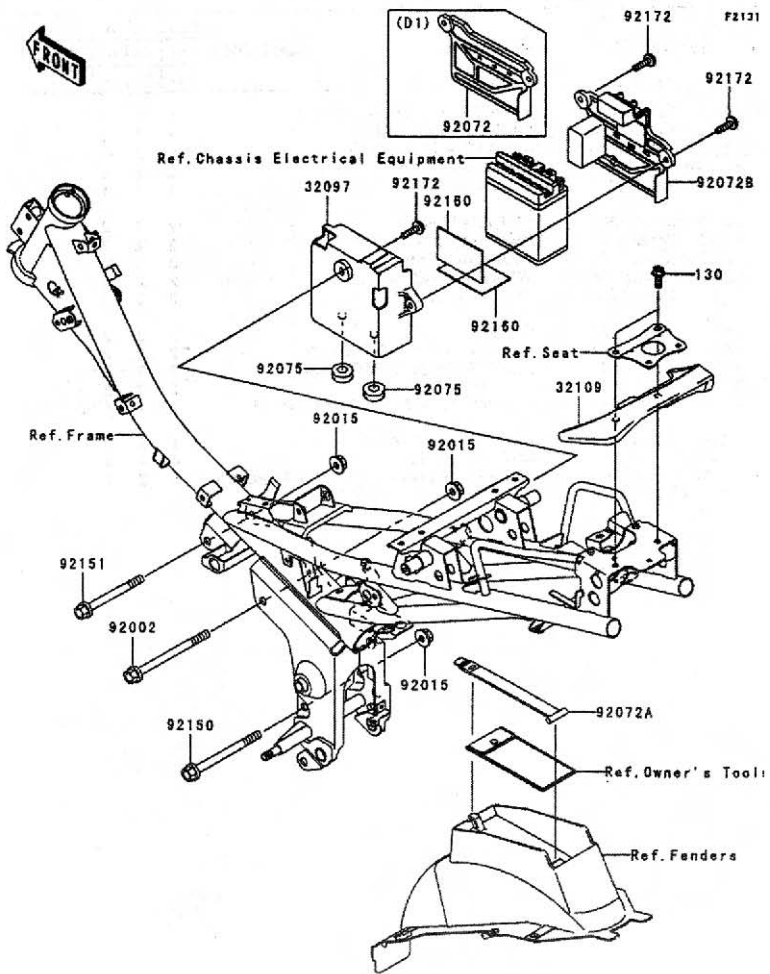
F2120



Ref. No.	Part No.	Description	Spec Code	Quantity-AN125		
				'04 A1	'04 C1	'04 D1
11012	11012-1861	CAP, STEERING STEM	1	1	1	
32160	32160-1815	FRAME - COMP	1	1	1	
92015	92015-1900	NUT, STEERING STEM LOCK, 30MM	1	1	1	
92015A	92015-1901	NUT, 30MM	1	1	1	
92048	92048-1120	RACE, STEERING STEM BEARING	1	1	1	
92048A	92048-1121	RACE, STEERING STEM BEARING	1	1	1	
92048B	92048-1122	RACE, STEERING STEM BEARING	1	1	1	
600	600A0800	BALL - STEEL 1/4"	39	39	39	

This catalog covers:
 '04 AN125-A1/C1/D1 Engine

GRID No. **D-4** This grid covers:
Frame Fittings



Ref. No.	Part No.	Description	Spec Code	Quantity-AN125		
				'04 A1	'04 C1	'04 D1
32097	32097-1169	CASE - BATTERY	1	1	1	
32109	32109-1304-X6	GRIP - FRAME, RR, C. GOLD	1	1	1	
92002	92002-1087	BOLT, FLANGED, 10X130	1	1	1	
92015	92015-1180	NUT, FLANGED, 10MM	3	3	3	
92072	92072-1345	BAND, BATTERY			1	
92072A	92072-1424	BAND, TOOL	1	1	1	
92072B	92072-1432	BAND, BATTERY	1	1	1	
92075	92075-051	DAMPER	2	2	2	
92150	92150-1831	BOLT, FLANGED, 10X120	1	1	1	
92151	92151-1196	BOLT, FLANGED, 10X100	1	1	1	
92160	92160-1292	DAMPER, BATTERY	2	2	2	
92172	92172-0004	SCREW, 6X14	3	3	3	
130	130H0820	BOLT - FLANGED, 8X20	2	2	2	

This catalog covers:

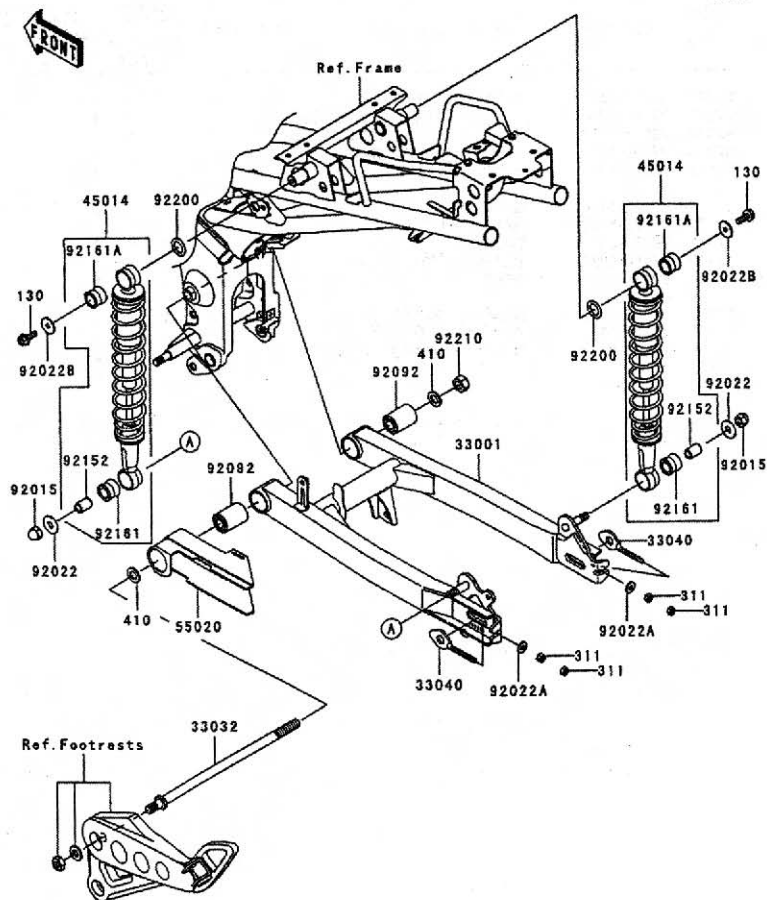
'04 AN125-A1/C1/D1 Engine

GRID No.

D-5

This grid covers:

Swingarm/Shock Absorber



Ref. No.	Part No.	Description	Spec Code	Quantity-AN125		
				'04	'04	'04
				A1	C1	D1
33001	33001-0022-10	ARM - COMP - SWING, BLACK	1	1	1	
33032	33032-1184	SHAFT - SWING ARM	1	1	1	
33040	33040-1006	ADJUSTER - CHAIN	2	2	2	
45014	45014-0041-FU	SHOCKABSORBER, F. RED	2	2	2	
55020	55020-1770	GUARD, CHAIN	1	1	1	
92015	92015-1685	NUT, CAP, 10MM	2	2	2	
92022	92022-044	WASHER, 10.5X26X2.3	2	2	2	
92022A	92022-1565	WASHER, 6.5X16X2	2	2	2	
92022B	92022-1690	WASHER, 6.5X24X2	2	2	2	
92092	92092-1088	BUSHING - RUBBER	2	2	2	
92152	92152-0086	COLLAR	2	2	2	
92161	92161-1262	DAMPER, SHOCKABSORBER	2	2	2	
92161A	92161-1263	DAMPER, SHOCKABSORBER	2	2	2	
92200	92200-1607	WASHER, 17X26X1.6	2	2	2	
92210	92210-1085	NUT, SWING ARM SHAFT, M12 P1.25	1	1	1	
130	130G0616	BOLT-FLANGED, 6X16	2	2	2	
311	311B0600	NUT - HEX, 6MM	4	4	4	
410	410F1200	WASHER - PLAIN - SMALL, 12MM, BLACK	2	2	2	

This catalog covers:

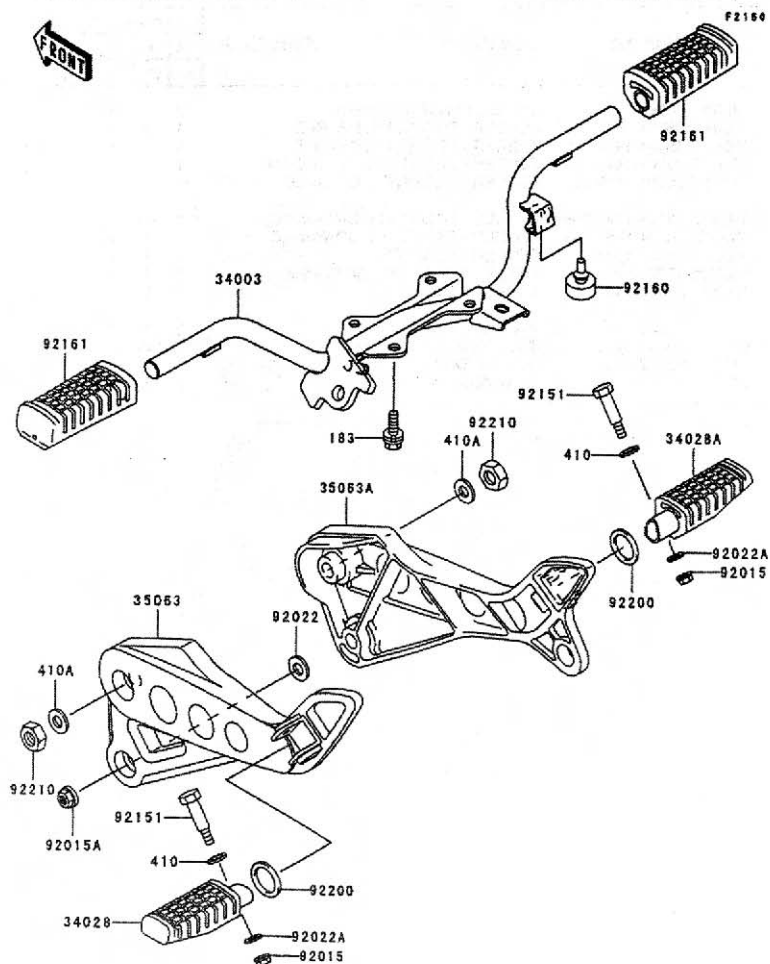
'04 AN125-A1/C1/D1 Engine

GRID No.

D-6

This grid covers:

Footrests



Ref. No.	Part No.	Description	Spec Code	Quantity-AN125			
				'04	'04	'04	
				A1	C1	D1	
34003	34003-0011	HOLDER - STEP, FR	1	1	1		
34028	34028-1437	STEP, RR, LH	1	1	1		
34028A	34028-1438	STEP, RR, RH	1	1	1		
35063	35063-0087	STAY, RR, LH	1	1	1		
35063A	35063-0088	STAY, RR, RH	1	1	1		
92015	92015-1339	NUT, LOCK, FLANGED, 6MM	2	2	2		
92015A	92015-1428	NUT, FLANGED, 10MM	1	1	1		
92022	92022-100	WASHER	1	1	1		
92022A	92022-1565	WASHER, 6.5X16X2	2	2	2		
92151	92151-1194	BOLT	2	2	2		
92160	92160-1821	DAMPER, BRAKE STOPPER	1	1	1		
92161	92161-1251	DAMPER, STEP RUBBER	2	2	2		
92200	92200-1120	WASHER, 19.5X28X2.3	2	2	2		
92210	92210-1382	NUT, 12MM	2	2	2		
183	183H0816	BOLT, UPSET - WS - SMALL	4	4	4		
410	410B0800	WASHER - PLAIN - SMALL, 8MM	2	2	2		
410A	410F1200	WASHER - PLAIN - SMALL, 12MM, BLACK	2	2	2		

This catalog covers:

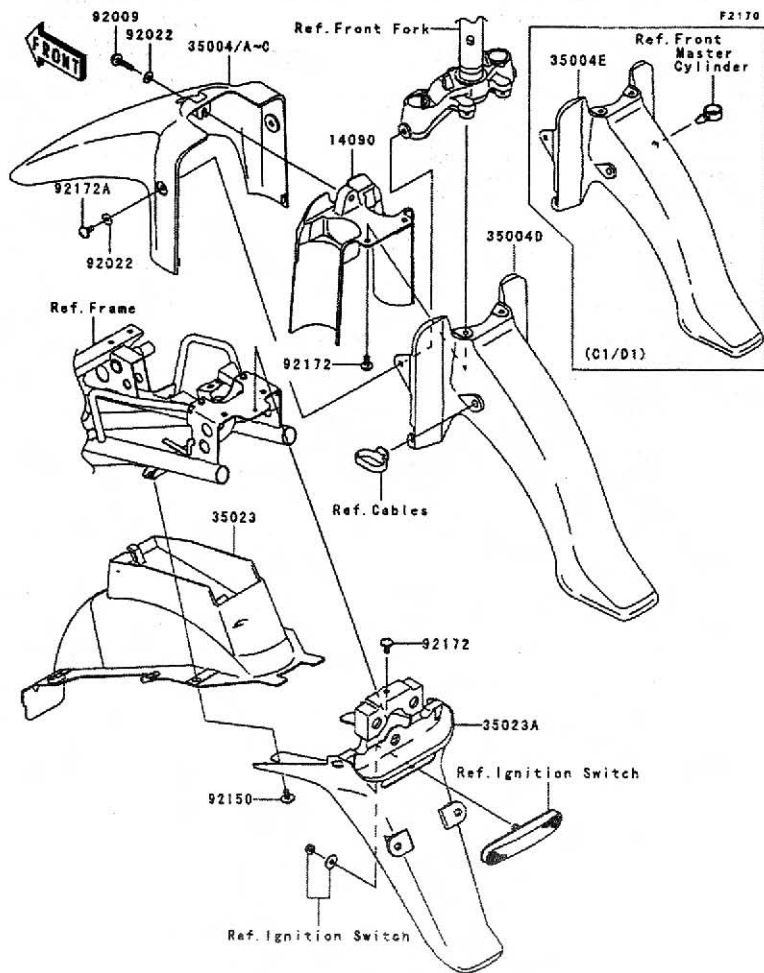
'04 AN125-A1/C1/D1 Engine

GRID No.

D-7

This grid covers:

Fenders



Ref. No.	Part No.	Description	Spec Code	Quantity-AN125			
				'04	'04	'04	
				A1	C1	D1	
14090	14090-1813	COVER, FENDER (INNER)		1	1	1	
35004	35004-1440-DU	FENDER - FRONT, FR, P.A. RED		1	1	1	
35004A	35004-1440-G3	FENDER - FRONT, FR, P WHITE		1	1	1	
35004B	35004-1440-175	FENDER - FRONT, FR, C.L. GREEN		1	1	1	
35004C	35004-1440-620	FENDER - FRONT, FR, C.T. BLUE		1	1	1	
35004D	35004-1441-256	FENDER - FRONT, RR, GRAY 426C		1			
35004E	35004-1451-256	FENDER - FRONT, RR, GRAY 426C			1	1	
35023	35023-1568	FENDER - REAR, FR		1	1	1	
35023A	35023-1569-256	FENDER - REAR, RR, GRAY 426C		1	1	1	
92009	92009-1400	SCREW, 6X28, BLACK		1	1	1	
92022	92022-1143	WASHER, 6.5X16X1		3	3	3	
92150	92150-1133	BOLT, 6X14		2	2	2	
92172	92172-0004	SCREW, 6X14		3	3	3	
92172A	92172-1069	SCREW, 6X14		2	2	2	

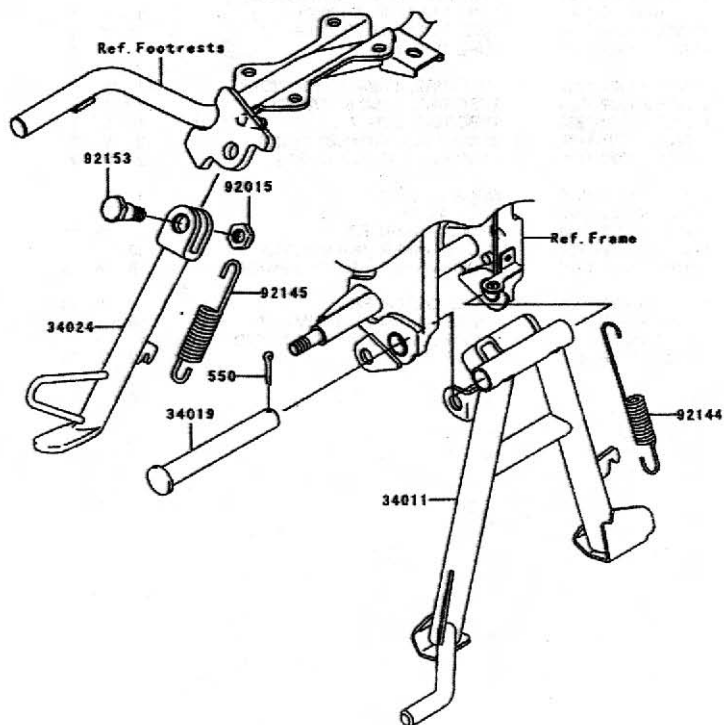
This catalog covers:

'04 AN125-A1/C1/D1 Engine

GRID No. This grid covers:

D-8

Stand(s)

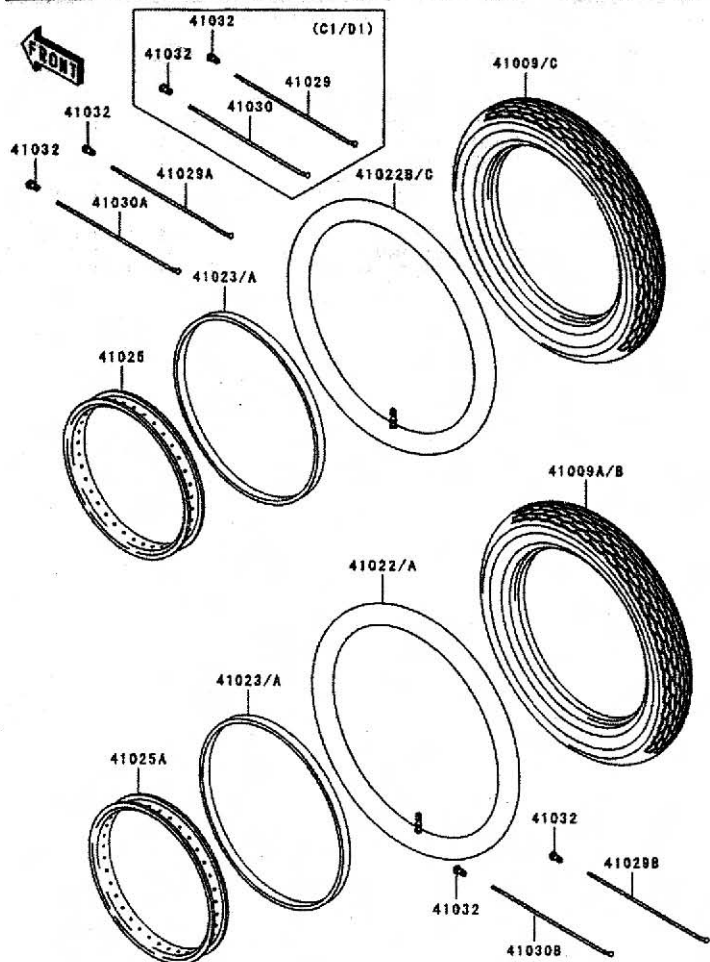


F2190

Ref. No.	Part No.	Description	Spec Code	Quantity-AN125		
				'04 A1	'04 C1	'04 D1
34011	34011-1202	STAND - CENTER		1	1	1
34019	34019-1054	SHAFT - STAND, CNT		1	1	1
34024	34024-1385	STAND - SIDE		1	1	1
92015	92015-1188	NUT, LOCK, 10MM, BLACK		1	1	1
92144	92144-1385	SPRING, CENTER STAND		1	1	1
92145	92145-0106	SPRING, STAND		1	1	1
92153	92153-0005	BOLT, SIDE STAND		1	1	1
550	550D3030	PIN, COTTER, 3.0X30		1	1	1

This catalog covers:
'04 AN125-A1/C1/D1 Engine

GRID No. This grid covers:
D-9 Tires



F2219

Ref. No.	Part No.	Description	Spec Code	Quantity-AN125		
				'04 A1	'04 C1	'04 D1
41009	41009-0019	TIRE, FR, 2.25-17 33L,NR72(IRC)	1	1	1	
41009A	41009-0020	TIRE, RR, 2.50-17 38L,NR72(IRC)	1	1	1	
41009B	41009-1366	TIRE, 2.50-17 38L,D109(D)	1	1	1	
41009C	41009-1399	TIRE, FR,2.25-17 33L,D109	1	1	1	
41022	41022-1147	TUBE-TIRE, 2.50-17	1	1	1	
41022A	41022-1232	TUBE-TIRE, 80/80-17,2.50-17(D)	1	1	1	
41022B	41022-1234	TUBE-TIRE, 2.25/2.50-17(IRC)	1	1	1	
41022C	41022-1238	TUBE-TIRE, 2.25-17	1	1	1	
41023	41023-1137	BAND-RIM, 17XWM1.20-1.60(D)	2	2	2	
41023A	41023-1140	BAND-RIM, 2.25/2.50-17(IRC)	2	2	2	
41025	41025-0006	RIM, FR, 1.20X17	1	1	1	
41025A	41025-1385	RIM, 1.40X17	1	1	1	
41029	41029-1208	SPOKE - INNER, FR	18	18	18	
41029A	41029-1209	SPOKE - INNER, 161MMX101D	18	18	18	
41029B	41029-1326	SPOKE - INNER, RR, 160.5MMX96D	18	18	18	
41030	41030-1123	SPOKE-OUTER, FR	18	18	18	
41030A	41030-1124	SPOKE - OUTER, 160.5MMX83D	18	18	18	
41030B	41030-1179	SPOKE - OUTER, RR, 160MMX86D	18	18	18	
41032	41032-024	NIPPLE - SPOKE	72	72	72	

This catalog covers:

'04 AN125-A1/C1/D1 Chassis

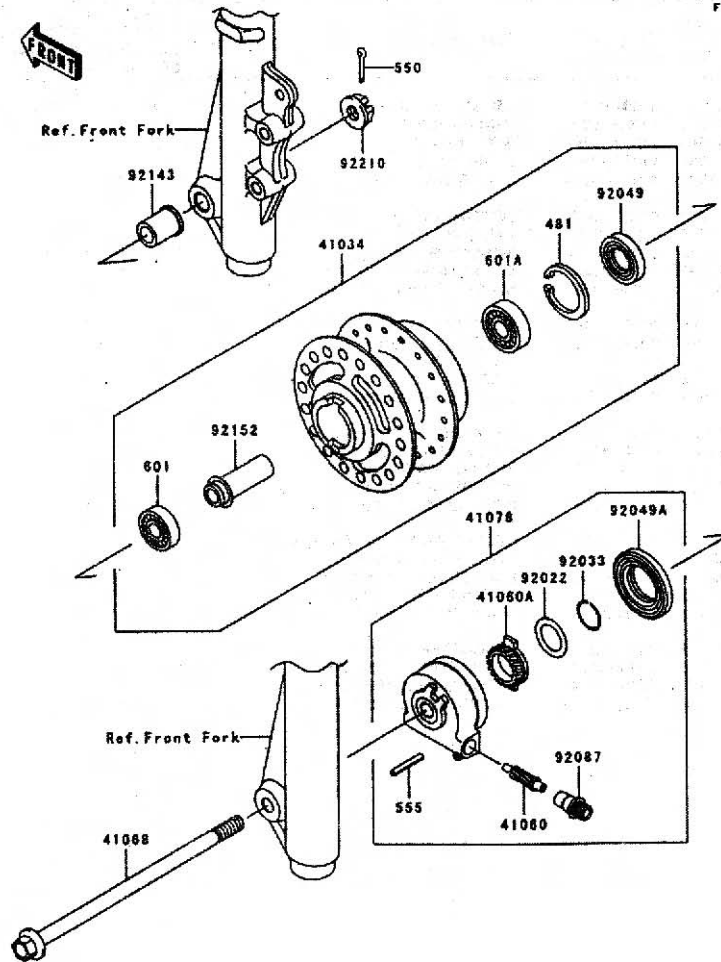
GRID NO.

D-11

This grid covers:

Front Hub(AN125-C1/D1)

F2220A



Ref. No.	Part No.	Description	Spec Code	Quantity-AN125			
				'04 A1	'04 C1	'04 D1	
41034	41034-1329	DRUM-ASSY,FRONT BRAKE			1	1	
41060	41060-1171	GEAR-METER SCREW,10T			1	1	
41060A	41060-1175	GEAR-METER SCREW,25T			1	1	
41068	41068-1445	AXLE,FR			1	1	
41078	41078-1109	CASE-ASSY-METER GEAR			1	1	
92022	92022-1510	WASHER,20X29X1.0			1	1	
92033	92033-1160	RING-SNAP,19MM			1	1	
92049	92049-1095	SEAL-OIL,DD20357			1	1	
92049A	92049-1173	SEAL-OIL,SD42 50 6			1	1	
92087	92087-1065	BUSHING-METER GEAR			1	1	
92143	92143-1847	COLLAR,FR AXLE,L=24.5			1	1	
92152	92152-1286	COLLAR,FRONT BRAKE DRUM,L=51			1	1	
92210	92210-1383	NUT,CASTLE,10MM			1	1	
481	481.J3500	CIRCLIP-TYPE-C,35MM			1	1	
550	550D2525	PIN-COTTER,2.5X25			1	1	
555	555A0214	PIN-SPRING			1	1	
601	601B6200UG	BEARING-BALL,#6200UG			1	1	
601A	601B6300UG	BEARING-BALL			1	1	

This catalog covers:

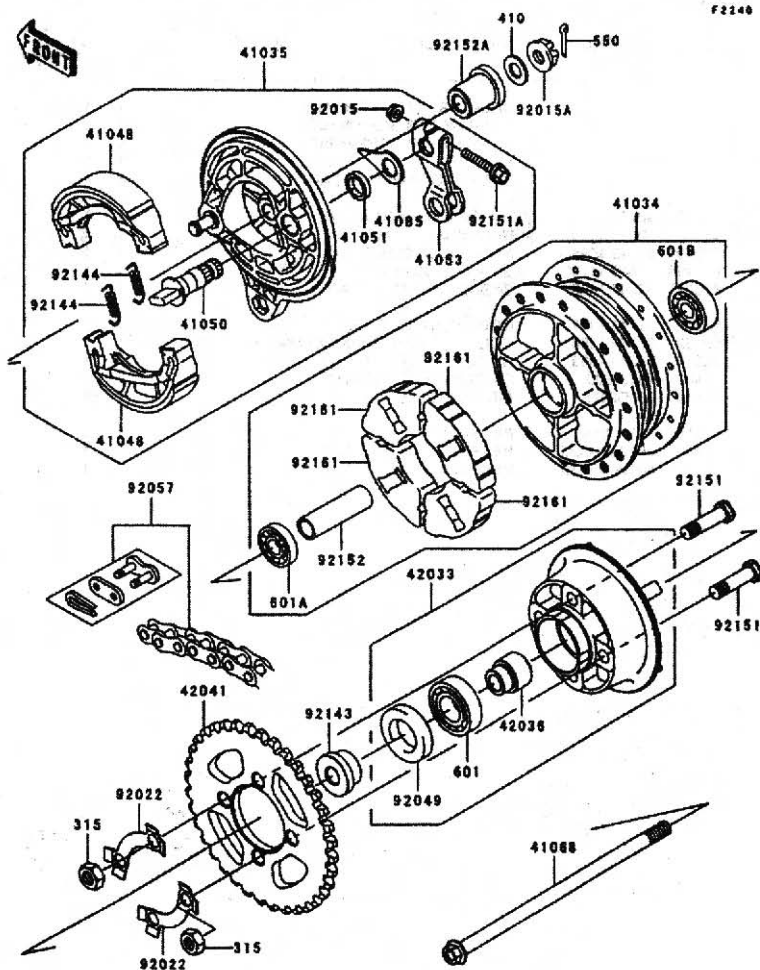
'04 AN125-A1/C1/D1 Chassis

GRID NO.

This grid covers:

D-12

Rear Hub



F2146

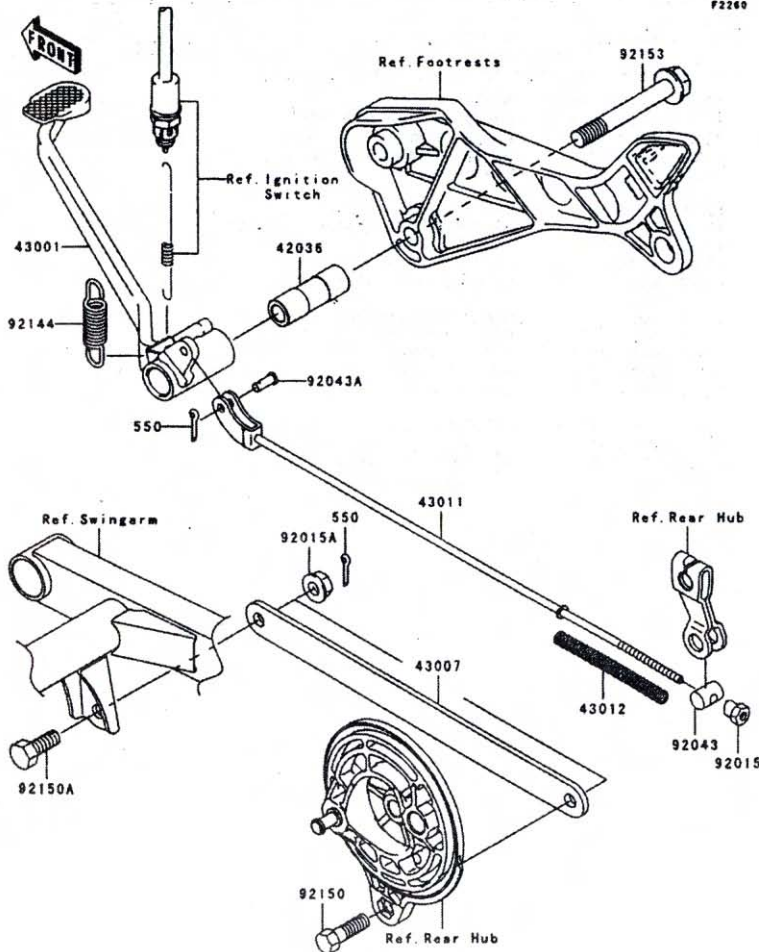
Ref. No.	Part No.	Description	Spec Code	Quantity-AN125		
				'04	'04	'04
				A1	C1	D1
41034	41034-0011	DRUM-ASSY,REAR BRAKE	1	1	1	
41035	41035-1539	PANEL-ASSY-BRAKE,RR	1	1	1	
41048	41048-1139	SHOE-BRAKE	2	2	2	
41050	41050-1098	CAM-BRAKE	1	1	1	
41051	41051-001	SEAL,BRAKE CAM	1	1	1	
41053	41053-1069	LEVER-BRAKE CAM	1	1	1	
41068	41068-1442	AXLE,RR	1	1	1	
41085	41085-1079	INDICATOR	1	1	1	
42033	42033-1225	COUPLING-ASSY,RR HUB	1	1	1	
42036	42036-1292	SLEEVE,RR HUB COUPLING,L=29	1	1	1	
42041	42041-1544	SPROCKET-HUB,36T	1	1	1	
92015	92015-1193	NUT,FLANGED,6MM	1	1	1	
92015A	92015-1870	NUT,CASTLE,12MM	1	1	1	
92022	92022-1705	WASHER,LOCK	2	2	2	
92049	92049-1490	SEAL-OIL,SC26X42X8	1	1	1	
92057	92057-1506	CHAIN,DRIVE,DID428X102L	1	1	1	
92143	92143-1533	COLLAR,RR AXLE,L,H,L=17	1	1	1	
92144	92144-1907	SPRING,BRAKE SHOE	2	2	2	
92151	92151-1160	BOLT,RR HUB COUPLING,10X36	4	4	4	
92151A	92151-1209	BOLT,FLANGED,6X34	1	1	1	
92152	92152-1367	COLLAR,RR BRAKE DRUM,L=58	1	1	1	
92152A	92152-1433	COLLAR,RR AXLE,RH,L=33	1	1	1	
92161	92161-0084	DAMPER,RR HUB SHOCK	4	4	4	
315	315B1000	NUT-HEX-FINE,10MM	4	4	4	
410	410B1200	WASHER-PLAIN-SMALL,12MM	1	1	1	
550	550D3025	PIN-COTTER,3.0X25	1	1	1	
601	601B6004UG	BEARING-BALL,#6004UG	1	1	1	
601A	601B6201UG	BEARING-BALL,#6201UG	1	1	1	
601B	601B6301UG	BEARING-BALL,#6301UG	1	1	1	

This catalog covers:

'04 AN125-A1/C1/D1 Chassis

GRID NO. This grid covers:

D-13 Brake Pedal



Ref. No.	Part No.	Description	Spec Code	Quantity-AN125		
				'04 A1	'04 C1	'04 D1
42036	42036-1332	SLEEVE		1	1	1
43001	43001-1443	LEVER-BRAKE,PEDAL		1	1	1
43007	43007-1202	ROD-TORQUE		1	1	1
43011	43011-1177	ROD-BRAKE		1	1	1
43012	43012-001	SPRING,BRAKE ROD		1	1	1
92015	92015-042	NUT,BRAKE ROD		1	1	1
92015A	92015-1428	NUT,FLANGED,10MM		2	2	2
92043	92043-039	PIN,BRAKE ROD		1	1	1
92043A	92043-1542	PIN,6X12.8		1	1	1
92144	92144-1910	SPRING,BRAKE PEDAL RETURN		1	1	1
92150	92150-1872	BOLT,10X32		1	1	1
92150A	92150-1873	BOLT,10X25		1	1	1
92153	92153-1198	BOLT,FLANGED,12X88		1	1	1
550	550D2018	PIN-COTTER,2.0X18		3	3	3

This catalog covers:

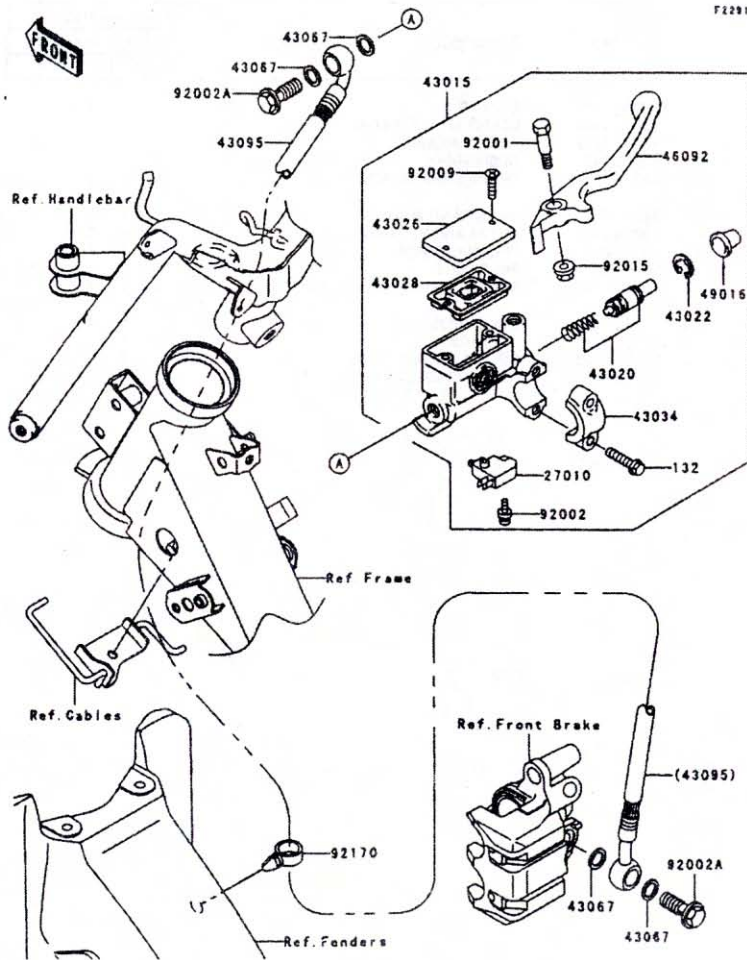
'04 AN125-A1/C1/D1 Chassis

GRID NO.

D-14

This grid covers:

Front Master Cylinder(AN125-C1/D1)



Ref. No.	Part No.	Description	Spec Code	Quantity-AN125			
				'04 A1	'04 C1	'04 D1	
27010	27010-1170	SWITCH,BRAKE			1	1	
43015	43015-1690	CYLINDER-ASSY-MASTER,FR			1	1	
43020	43020-1095	PISTON-COMP-BRAKE			1	1	
43022	43022-1010	STOPPER-BRAKE,PISTON			1	1	
43026	43026-1074	CAP-BRAKE			1	1	
43028	43028-1061	DIAPHRAGM			1	1	
43034	43034-1016	HOLDER-BRAKE,MASTER CYLINDER			1	1	
43067	43067-001	WASHER,10.5X15X1.5			4	4	
43095	43095-0020	HOSE-BRAKE,FR			1	1	
46092	46092-1119	LEVER-GRIP,FRONT BRAKE			1	1	
49016	49016-1044	COVER-SEAL,MASTER CYLINDER			1	1	
92001	92001-1728	BOLT,FRONT BRAKE LEVER			1	1	
92002	92002-1323	BOLT,SCREW,4X12			1	1	
92002A	92002-1888	BOLT,OIL,L=23			2	2	
92009	92009-1458	SCREW,4MM			2	2	
92015	92015-1233	NUT,FLANGED,6MM,BLACK			1	1	
92170	92170-1067	CLAMP			1	1	
132	132J0625	BOLT-FLANGED-SMALL			2	2	

This catalog covers:

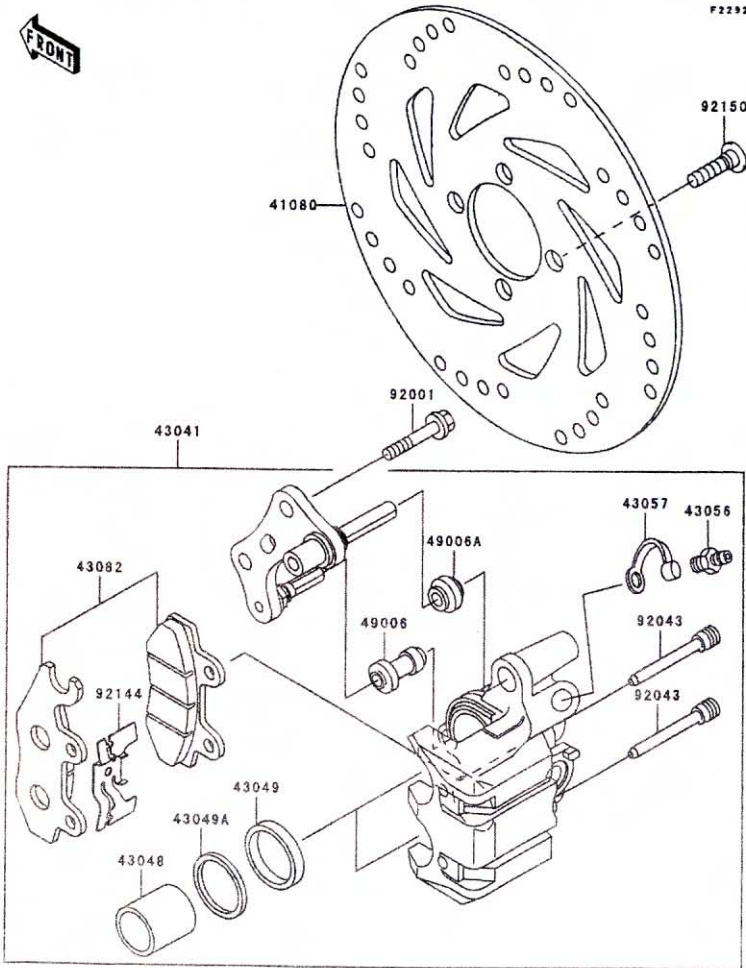
04 AN125-A1/C1/D1 Engine

GRID No.

E-3

This grid covers:

Front Brake (AN125-C1/D1)



Ref. No.	Part No.	Description	Spec Code	Quantity-AN125		
				'04	'04	'04
				A1	C1	D1
41080	41080-1523-CL	DISC, FR, GOLD		1	1	
43041	43041-1896-8Q	CALIPER - ASSY, FR, GOLD		1	1	
43048	43048-1066	PISTON - CALIPER		2	2	
43049	43049-1063	PACKING		2	2	
43049A	43049-1064	PACKING		2	2	
43056	43056-1056	BREATHER - BRAKE		1	1	
43057	43057-1001	CAP - BREATHER		1	1	
43082	43082-1128	PAD - ASSY - BRAKE		1	1	
49006	49006-1088	BOOT, CALIPER		1	1	
49006A	49006-1242	BOOT, CALIPER		1	1	
92001	92001-1837	BOLT, FLANGED, 8X36		2	2	
92043	92043-1416	PIN, HANGER		2	2	
92144	92144-1847	SPRING, PAD		1	1	
92150	92150-1728	BOLT, DISC PLATE, 8X30		4	4	

This catalog covers:

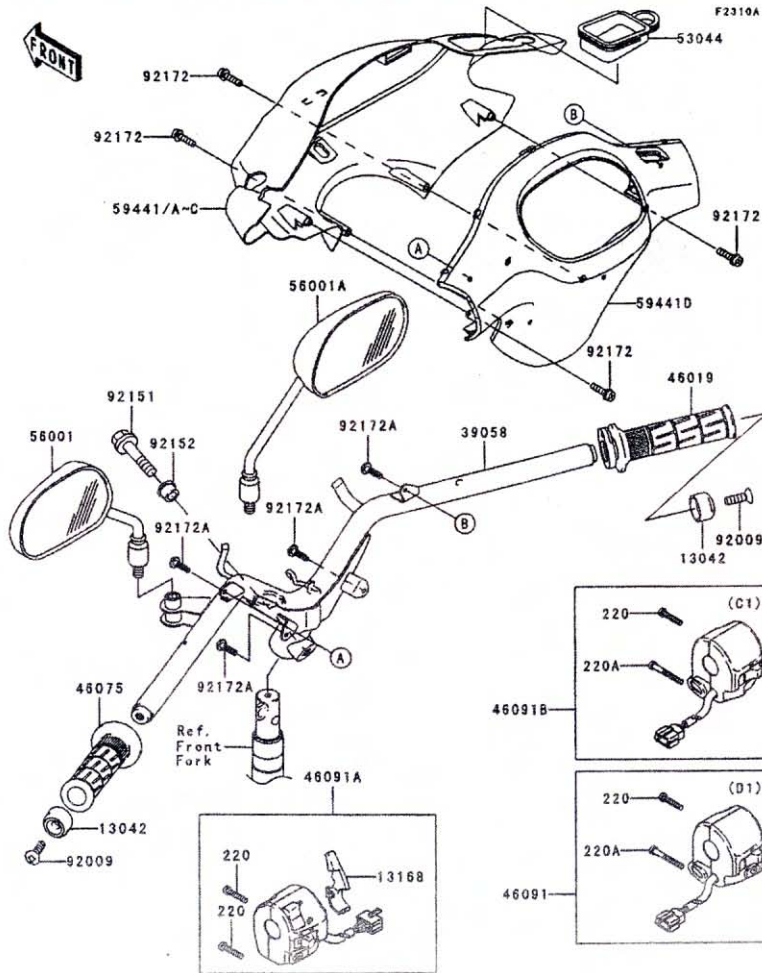
'04 AN125-A1/C1/D1 Engine

GRID No.

E-5

This grid covers:

Handlebar (AN125-C1/D1)



Ref. No.	Part No.	Description	Spec Code	Quantity-AN125			
				'04	'04	'04	
				A1	C1	D1	
13042	13042-1095	WEIGHT, HANDLE			2	2	
13168	13168-1756	LEVER, CHOKE			1	1	
39058	39058-0001	HANDLE-COMP			1	1	
46019	46019-0003	GRIP - ASSY, THROTTLE			1	1	
46075	46075-0007	GRIP, LH			1	1	
46091	46091-1851	HOUSING - ASSY - CONTROL, RH					1
46091A	46091-1852	HOUSING - ASSY - CONTROL, LH			1	1	
46091B	46091-1853	HOUSING - ASSY - CONTROL, RH			1	1	
53044	53044-1327	TRIM, HANDLE COVER			1	1	
56001	56001-1568	MIRROR - ASSY, LH			1	1	
56001A	56001-1569	MIRROR - ASSY, RH			1	1	
	59441-0009-NP	COVER - HANDLE, FR, (NO PAINTED)			1	1	
59441	59441-0009-ID	COVER - HANDLE, FR, RED/BLACK			1	1	
59441A	59441-0009-176	COVER - HANDLE, FR, GREE/BLACK			1	1	
59441B	59441-0009-609	COVER - HANDLE, FR, WHITE/BLACK			1	1	
59441C	59441-0009-623	COVER - HANDLE, FR, BLUE/BLACK			1	1	
59441D	59441-1167-256	COVER - HANDLE, RR, GRAY 426C			1	1	
92009	92009-1717	SCREW, 8X25			2	2	
92151	92151-1413	BOLT, FLANGED, 10X45			1	1	
92152	92152-1106	COLLAR			1	1	
92172	92172-1066	SCREW, 4X16			4	4	
92172A	92172-1068	SCREW, TAPPING, 4X14			4	4	
220	220C0525	SCREW - PAN - CROS			3	3	
220A	220C0540	SCREW - PAN - CROS			1	1	

This catalog covers:

'04 AN125-A1/C1/D1 Chassis

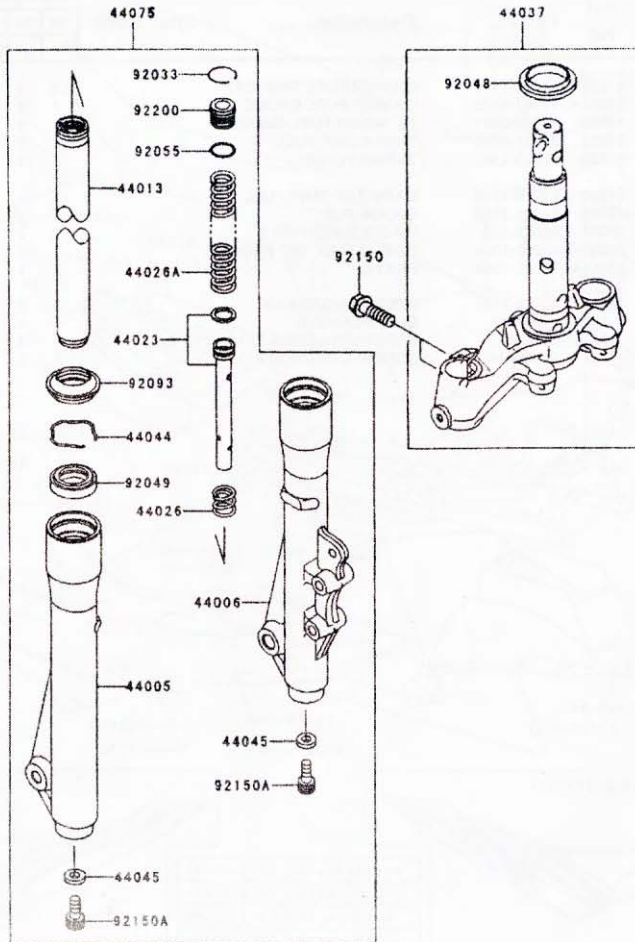
GRID NO.

E-7

This grid covers:

Front Fork(AN125-C1/D1)

FRONT



F2340A

Ref. No.	Part No.	Description	Spec Code	Quantity-AN125			
				'04	'04	'04	
				A1	C1	D1	
44005	44005-0020	PIPE-LEFT FORK OUTER			1	1	
44006	44006-0020	PIPE-RIGHT FORK OUTER			1	1	
44013	44013-1499	PIPE-FORK INNER			2	2	
44023	44023-1164	CYLINDER-SET-FORK			2	2	
44026	44026-1651	SPRING-FRONT-FORK			2	2	
44026A	44026-1770	SPRING-FRONT FORK			2	2	
44037	44037-0014	HOLDER-FORK UNDER			1	1	
44044	44044-020	RING-SNAP45MM			2	2	
44045	44045-051	GASKET,FORK CYLINDER BOLT			2	2	
44075	44075-0030	DAMPER-SET-FORK			1	1	
92033	92033-1328	RING-SNAP			2	2	
92048	92048-1119	RACE,STEERING STEM BEARING			1	1	
92049	92049-1432	SEAL-OIL			2	2	
92055	92055-1675	RING-O			2	2	
92093	92093-1559	SEAL,FORK OUTER TUBE			2	2	
92150	92150-1174	BOLT,FLANGED,10X30			4	4	
92150A	92150-1432	BOLT,SOCKET,8X18			2	2	
92200	92200-1612	WASHER			2	2	

This catalog covers:

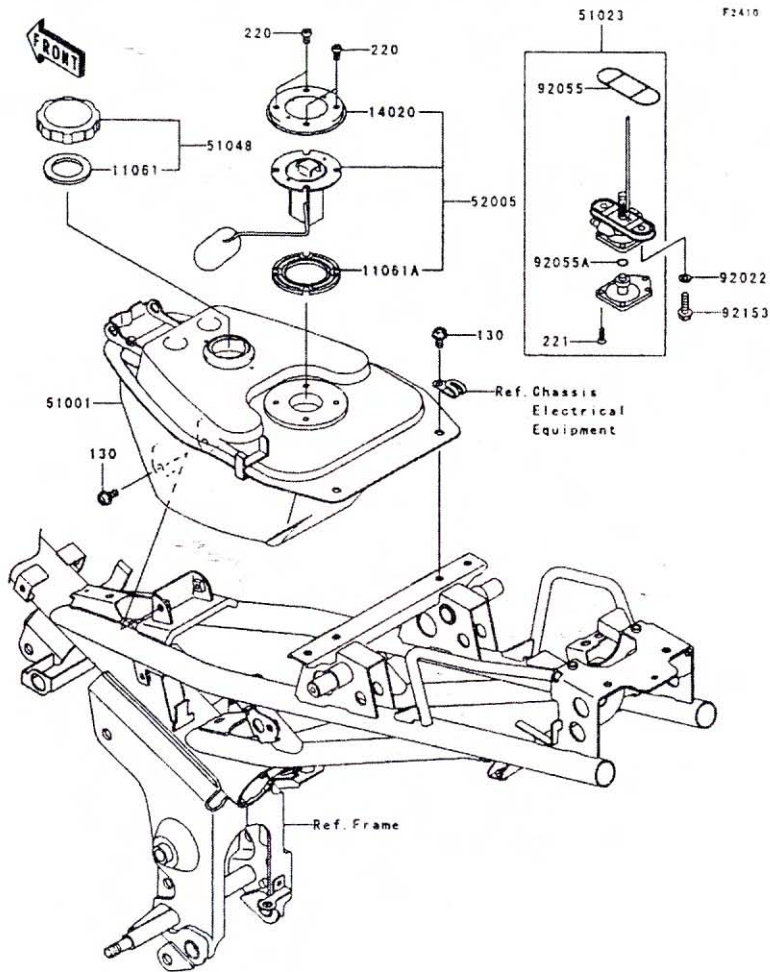
'04 AN125-A1/C1/D1 Chassis

GRID NO.

E-8

This grid covers:

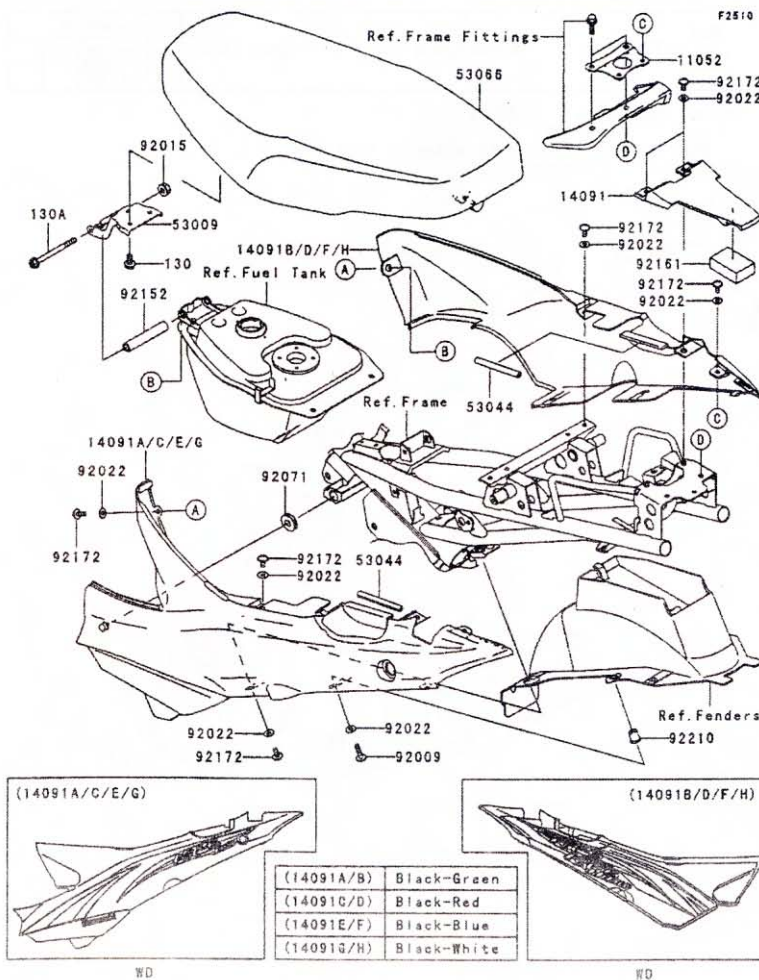
Fuel Tank



Ref. No.	Part No.	Description	Spec Code	Quantity-AN125		
				'04 A1	'04 C1	'04 D1
11061	11061-1118	GASKET,FUEL TANK CAP		1	1	1
11061A	11061-1125	GASKET,FUEL GAUGE		1	1	1
14020	14020-0001	RETAINER,FUEL GAUGE		1	1	1
51001	51001-0015	TANK-COMP-FUEL		1	1	1
51023	51023-1340	TAP-ASSY,FUEL		1	1	1
51048	51048-1169	CAP-ASSY-TANK,FUEL		1	1	1
52005	52005-1150	GAUGE,FUEL		1	1	1
92022	92022-183	WASHER,6.2X11X1.5		2	2	2
92055	92055-1586	RING-O,FUEL TAP PACKING		1	1	1
92055A	92055-1664	RING-O		1	1	1
92153	92153-1195	BOLT,FLANGED,6X20		2	2	2
130	130J0612	BOLT-FLANGED		4	4	4
220	220D0512	SCREW-PAN-CROS,5X12		4	4	4
221	221B0414	SCREW-CSK-CROS,4X14		5	5	5

This catalog covers:
'04 AN125-A1/C1/D1 Engine

GRID No. This grid covers:
E-9 Seat



Ref. No.	Part No.	Description	Spec Code	Quantity-AN125			
				'04 A1	'04 C1	'04 D1	
11052	11052-1854	BRACKET, SEAT COVER, RR		1	1	1	
14091	14091-1413-167	COVER, SEAT, CNT, M.C. BLACK		1	1	1	
14091A	14091-5126-167	COVER, SEAT, LH, M.C. BLACK		1	1	1	
14091B	14091-5127-167	COVER, SEAT, RH, M.C. BLACK		1	1	1	
14091C	14091-5128-167	COVER, SEAT, LH, M.C. BLACK		1	1	1	
14091D	14091-5129-167	COVER, SEAT, RH, M.C. BLACK		1	1	1	
14091E	14091-5130-167	COVER, SEAT, LH, M.C. BLACK		1	1	1	
14091F	14091-5131-167	COVER, SEAT, RH, M.C. BLACK		1	1	1	
14091G	14091-5133-167	COVER, SEAT, LH, M.C. BLACK		1	1	1	
14091H	14091-5134-167	COVER, SEAT, RH, M.C. BLACK		1	1	1	
53009	53009-1113	HINGE, SEAT		1	1	1	
53044	53044-1330	TRIM, L=85		2	2	2	
53066	53066-1051-313	SEAT - ASSY, DUAL, GRAY		1	1	1	
92009	92009-1465	SCREW, 6X25		2	2	2	
92015	92015-1233	NUT, FLANGED, 6MM, BLACK		1	1	1	
92022	92022-1143	WASHER, 6.5X16X1		11	11	11	
92071	92071-1043	GROMMET		1	1	1	
92152	92152-1374	COLLAR, 6.8X10X55.8		1	1	1	
92161	92161-1288	DAMPER		1	1	1	
92172	92172-0004	SCREW, 6X14		9	9	9	
92210	92210-1345	NUT, WELL, 6MM		2	2	2	
130	130H0612	BOLT - FLANGED, 6X12		3	3	3	
130A	130J0670	BOLT - FLANGED, 6X70, BLACK		1	1	1	

This catalog covers:

'04 AN125-A1/C1/D1 Engine

GRID No.

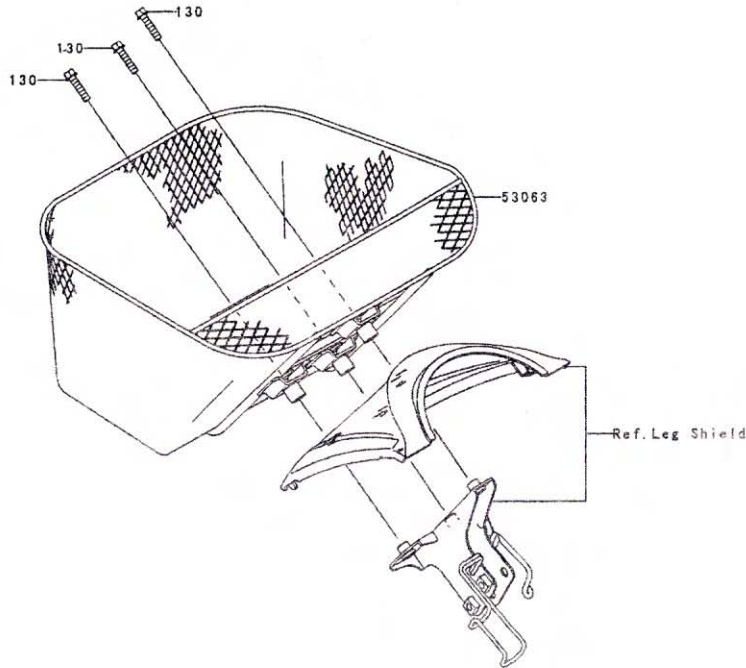
E-11

This grid covers:

Carrier(s)



F2520



Ref. No.	Part No.	Description	Spec Code	Quantity-AN125			
				'04 A1	'04 C1	'04 D1	
53063	53063-1058 (OPTION)	BASKET		1	1	1	
130	130J0625 (OPTION)	BOLT - FLANGED, 6X25		3	3	3	

This catalog covers:

'04 AN125-A1/C1/D1 Engine

GRID No.

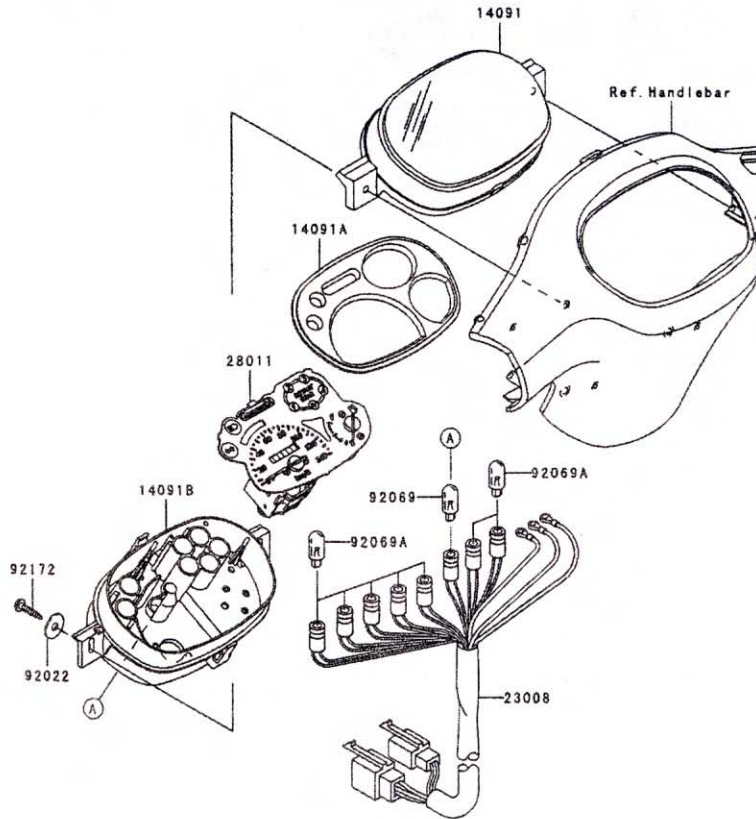
E-12

This grid covers:

Meter(s)



F2530



Ref. No.	Part No.	Description	Spec Code	Quantity-AN125		
				'04 A1	'04 C1	'04 D1
14091	14091-1465	COVER, METER, UPP	1	1	1	
14091A	14091-1466	COVER, METER, REFLECTOR	1	1	1	
14091B	14091-1467	COVER, METER HOUSING	1	1	1	
23008	23008-1663	SOCKET - ASSY, METER	1	1	1	
28011	28011-0011	METER, SPEED & FUEL, KPH	1	1	1	
92022	92022-263	WASHER, 5.2X16X1.2	2	2	2	
92069	92069-1007	BULB, 12V 3.4W, T10	1	1	1	
92069A	92069-1059	BULB, 12V 1.7W, T10	7	7	7	
92172	92172-0009	SCREW, TAPPING, 5X20	2	2	2	

This catalog covers:

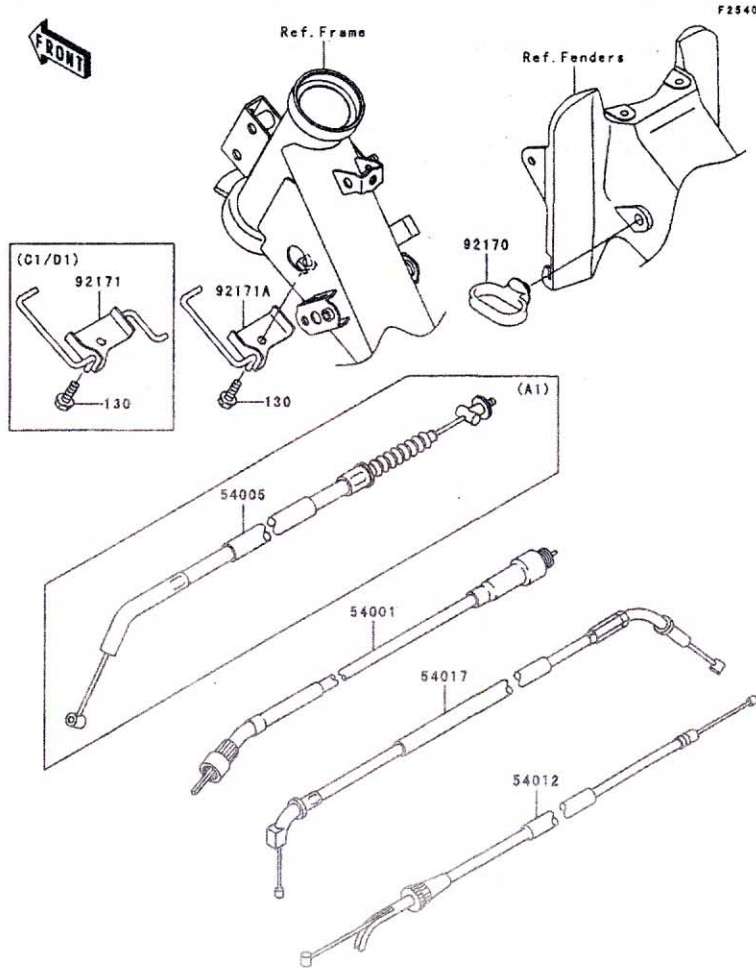
'04 AN125-A1/C1/D1 Engine

GRID No.

E-13

This grid covers:

Cables



Ref. No.	Part No.	Description	Spec Code	Quantity-AN125		
				'04 A1	'04 C1	'04 D1
54001	54001-1253	CABLE - SPEEDMETER		1	1	1
54005	54005-1213	CABLE - BRAKE		1		
54012	54012-1660	CABLE - THROTTLE		1	1	1
54017	54017-1217	CABLE - STARTER		1	1	1
92170	92170-1574	CLAMP, CABLE		1	1	1
92171	92171-0025	CLAMP, CABLE			1	1
92171A	92171-1450	CLAMP, CABLE		1		
130	130J0616	BOLT - FLANGED, 6X16, BLACK		1	1	1

This catalog covers:

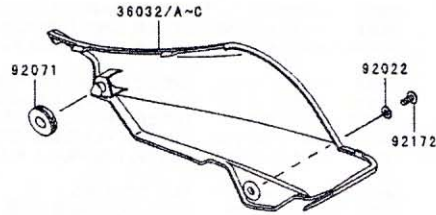
'04 AN125-A1/C1/D1 Engine

GRID No.

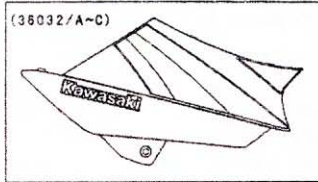
E-14

This grid covers:

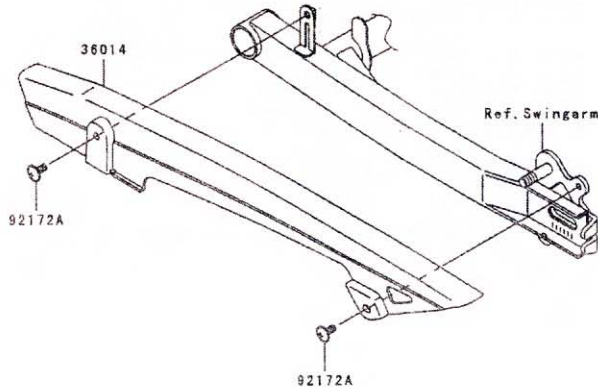
Side Covers/Chain Cover



(36032)	Black - Green
(36032A)	Black - Red
(36032B)	Black - Blue
(36032C)	Black - White



KD



F2610

Ref. No.	Part No.	Description	Spec Code	Quantity-AN125		
				'04 A1	'04 C1	'04 D1
36014	36014-0001	CASE - CHAIN		1	1	1
36032	36001-1659-167	COVER - SIDE, RH, (NO PAINTED)		1	1	1
36032	36032-5332-167	COVER - SIDE, RH, M.C. BLACK		1	1	1
36032A	36032-5333-167	COVER - SIDE, RH, M.C. BLACK		1	1	1
36032B	36032-5334-167	COVER - SIDE, RH, M.C. BLACK		1	1	1
36032C	36032-5335-167	COVER - SIDE, RH, M.C. BLACK		1	1	1
92022	92022-1521	WASHER, NYLON, 5.3X11.5X1.5		1	1	1
92071	92071-1043	GROMMET		1	1	1
92172	92172-0008	SCREW, 5X12		1	1	1
92172A	92172-1069	SCREW, 6X14		2	2	2

This catalog covers:

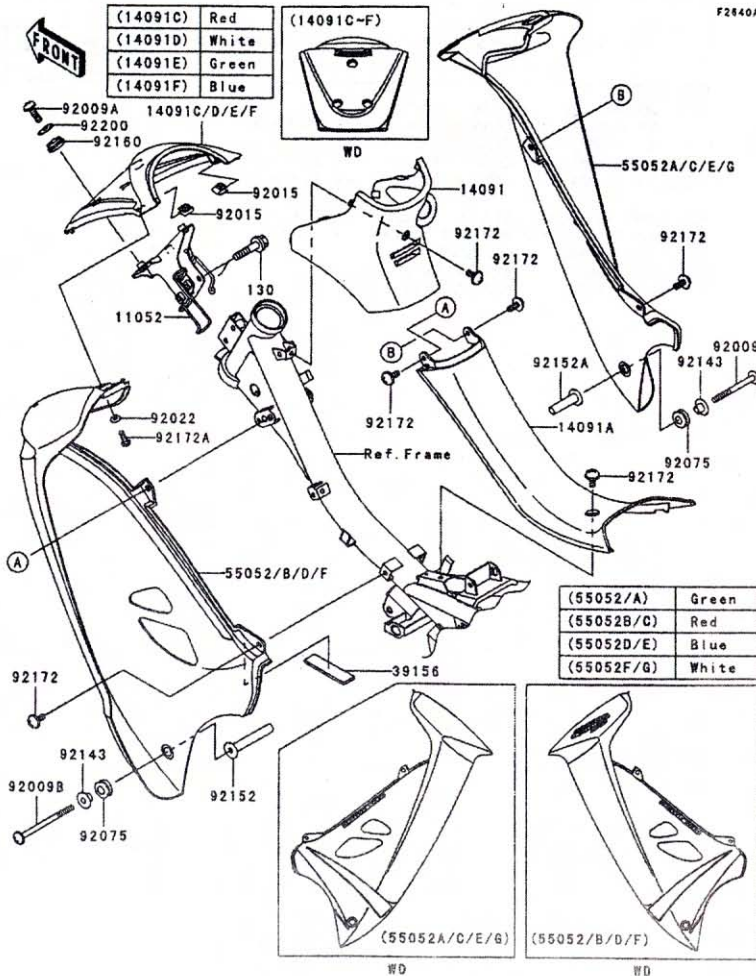
'04 AN125-A1/C1/D1 Engine

GRID No.

F-4

This grid covers:

Leg Shield (AN125-D1)



Ref. No.	Part No.	Description	Spec Code	Quantity-AN125			
				'04 A1	'04 C1	'04 D1	
11052	11052-1965	BRACKET, FRONT COVER				1	
14091	14091-1415-256	COVER, STEP THROUGH, FR, GRAY 426C				1	
14091A	14091-1416-256	COVER, STEP THROUGH, RR, GRAY 426C				1	
14091	14091-1413-1K	COVER, FRONT, (NO PAINTED)					1
14091C	14091-5108-DU	COVER, FRONT, P.A. RED					1
14091D	14091-5108-G3	COVER, FRONT, P.WHITE					1
14091E	14091-5108-175	COVER, FRONT, C.L. GREEN					1
14091F	14091-5132-620	COVER, FRONT, C.T. BLUE					1
39156	39156-0041	PAD, COWLING					1
55052	55028-1423-1K	COWLING, LEG SHIELD, LH, (NO PAINTED)					1
55052	55052-5070-175	COWLING, LEG SHIELD, LH, GREEN					1
55052	55028-1424-1K	COWLING, LEG SHIELD, RH (NO PAINTED)					1
55052A	55052-5071-175	COWLING, LEG SHIELD, RH GREEN					1
55052B	55052-5072-DU	COWLING, LEG SHIELD, LH, P.A. RED					1
55052C	55052-5073-DU	COWLING, LEG SHIELD, RH, P.A. RED					1
55052D	55052-5074-620	COWLING, LEG SHIELD, LH, C.T. BLUE					1
55052E	55052-5075-620	COWLING, LEG SHIELD, RH, C.T. WHITE					1
55052F	55052-5076-G3	COWLING, LEG SHIELD, LH, P. WHITE					1
55052G	55052-5077-G3	COWLING, LEG SHIELD, RH, P. WHITE					1
92009	92009-1520	SCREW, 6X65					1
92009A	92009-1776	SCREW, 6X16					3
92009B	92009-1983	SCREW, 6X87					1
92015	92015-1627	NUT, 5MM					2
92022	92022-1521	WASHER, NYLON, 5.3X11.5X1.5					2
92075	92075-1634	DAMPER					2
92143	92143-1016	COLLAR, L=9.6					2
92152	92152-1364	COLLAR, L=64.8					1
92152A	92152-1376	COLLAR, L=40					1
92160	92160-1864	DAMPER					3
92172	92172-0004	SCREW, 6X16					6
92172A	92172-1071	SCREW, 5X16					2
92200	92200-1643	WASHER, 6.2X18X1.2					3
130	130J0835	BOLT - FLAGED, 8X35, BLACK					2

This catalog covers:

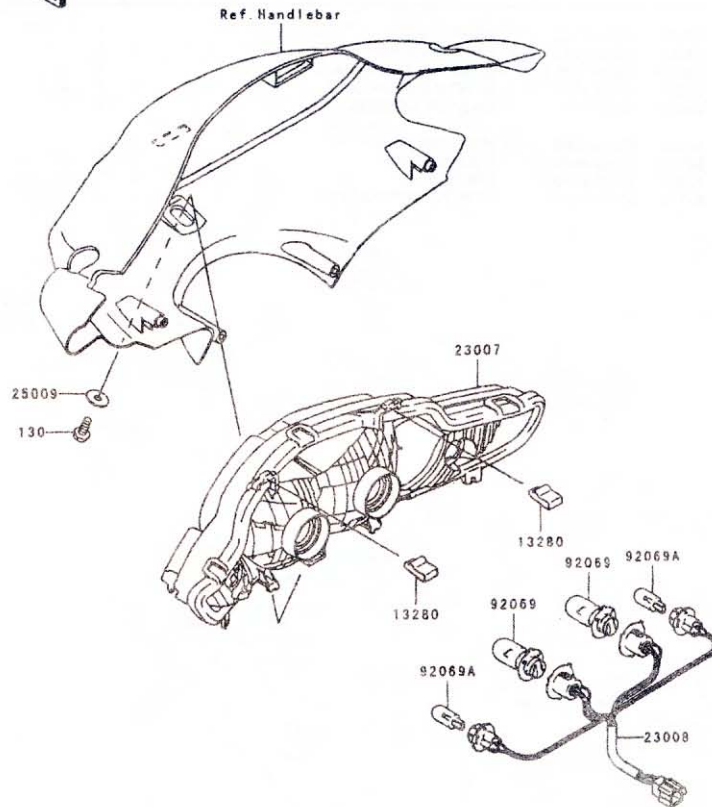
'04 AN125-A1/C1/D1 Chassis

GRID NO.

F-5

This grid covers:

Headlight(s)



F2710

Ref. No.	Part No.	Description	Spec Code	Quantity-AN125		
				'04	'04	'04
				A1	C1	D1
13280	13280-0041	HOLDER	2	2	2	
23007	23007-0007	LENS-COMP,HEAD LAMP	1	1	1	
23008	23008-0009	SOCKET-ASSY,HEAD LAMP	1	1	1	
25009	25009-004	WASHER,5.2X16X1.2	1	1	1	
92069	92069-0002	BULB,12V 18/18W	2	2	2	
92069A	92069-1124	BULB,12V 10W	2	2	2	
130	130J0512	BOLT-FLANGED,5X12	1	1	1	

This catalog covers:

'04 AN125-A1/C1/D1 Chassis

GRID NO.

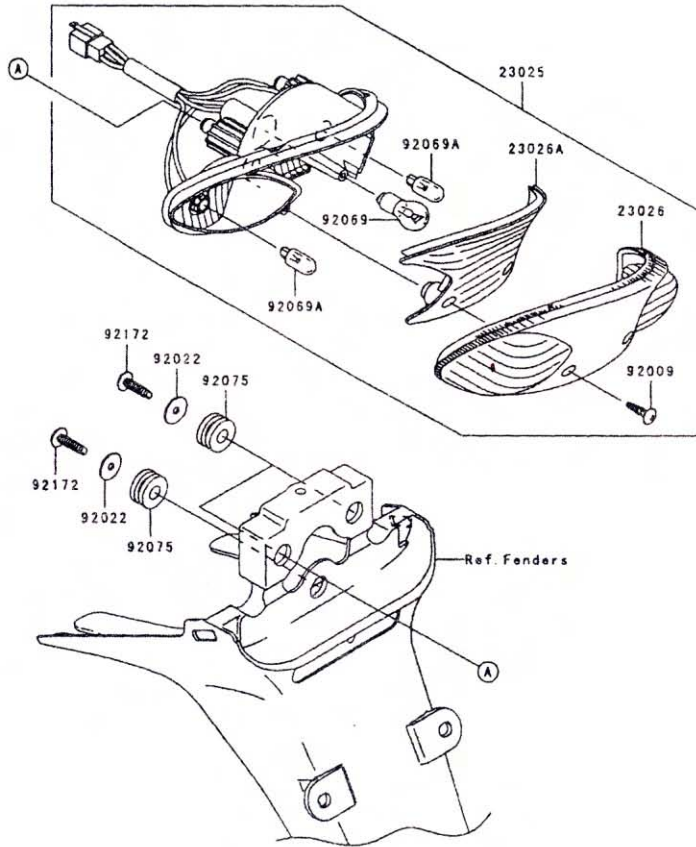
F-6

This grid covers:

Taillight(s)

F2720

FRONT



Ref. No.	Part No.	Description	Spec Code	Quantity-AN125		
				'04	'04	'04
				A1	C1	D1
23025	23025-1322	LAMP-TAIL	1	1	1	
23026	23026-1249	LENS, TAIL LAMP	1	1	1	
23026A	23026-1250	LENS, TAIL LAMP, INNER	1	1	1	
92009	92009-1297	SCREW, TAPPING, 4X20	2	2	2	
92022	92022-104	WASHER, 5.5X20X1.2	3	3	3	
92069	92069-1089	BULB, 12V 18/5W	1	1	1	
92069A	92069-1124	BULB, 12V 10W	2	2	2	
92075	92075-1690	DAMPER	3	3	3	
92172	92172-0009	SCREW, TAPPING, 5X20	3	3	3	

This catalog covers:

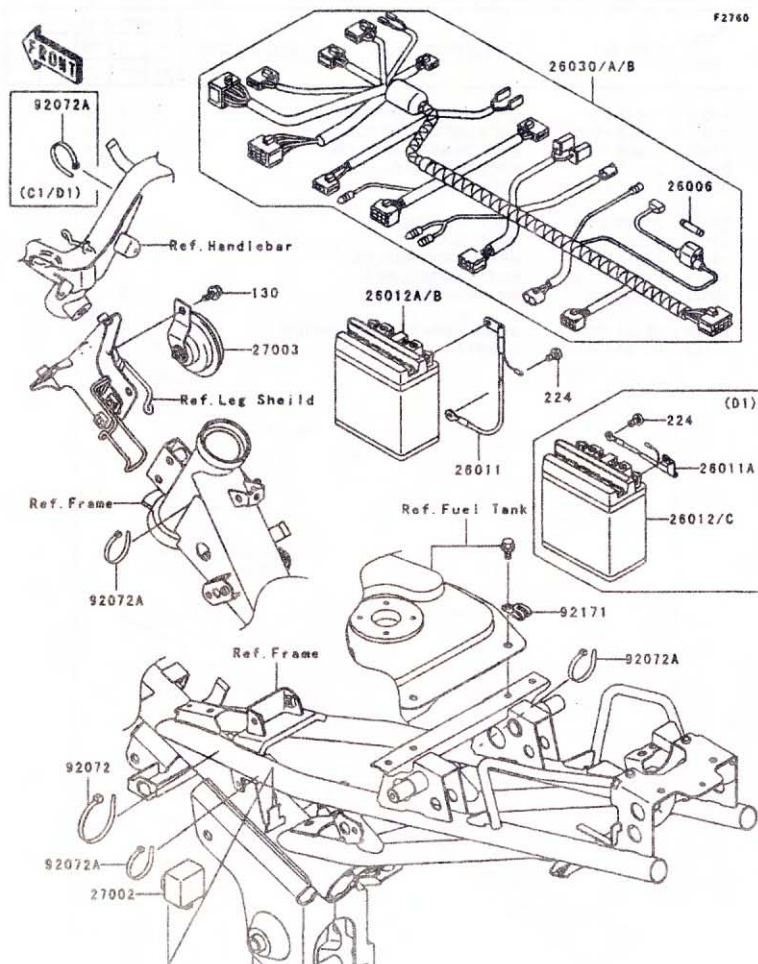
'04 AN125-A1/C1/D1 Chassis

GRID NO.

F-7

This grid covers:

Chassis Electrical Equipment



Ref. No.	Part No.	Description	Spec Code	Quantity-AN125		
				'04 A1	'04 C1	'04 D1
26006	26006-1002	FUSE,10A,L=30	2	2	2	
26011	26011-1683	WIRE-LEAD,BATTERY(-)	1	1		
26011A	26011-1828	WIRE-LEAD,BATTERY(-)			1	
26012	26012-0033	BATTERY,GM5Z-3B,12V 5AH			1	
26012A	26012-0039	BATTERY,GM3-3B,12V 3AH	1	1		
26012B	26012-1376	BATTERY,FB3L-B,12V 3AH	1	1		
26012C	26012-1380	BATTERY,FB5L-B,12V 5AH			1	
26030	26030-1966	HARNESS,MAIN	1			
26030A	26030-1968	HARNESS,MAIN		1		
26030B	26030-1969	HARNESS,MAIN			1	
27002	27002-1103	RELAY-ASSY,TURN SIGNAL(MITSUBA)	1	1	1	
27003	27003-1432	HORN	1	1	1	
92072	92072-1237	BAND,L=250	1	1	1	
92072A	92072-1293	BAND,L=140	3	4	4	
92171	92171-1296	CLAMP	1	1	1	
130	130J0612	BOLT-FLANGED	1	1	1	
224	224D0610	SCREW-PAN-WP-CROS,6X10	1	1	1	

This catalog covers:

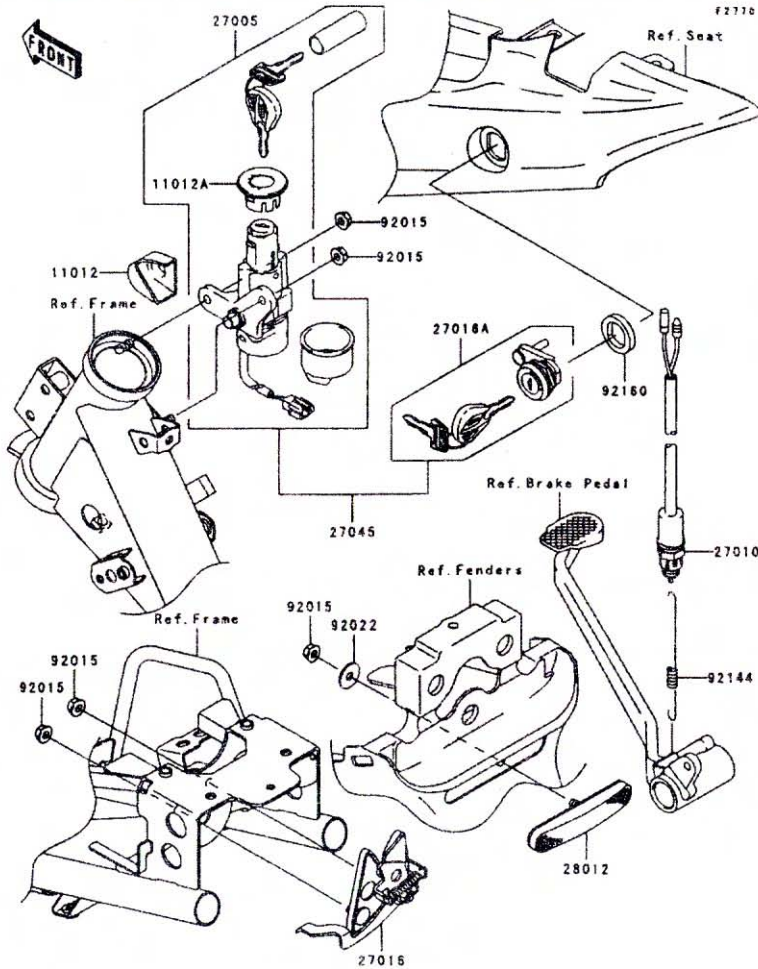
'04 AN125-A1/C1/D1 Chassis

GRID NO.

F-8

This grid covers:

Ignition Switch



Ref. No.	Part No.	Description	Spec Code	Quantity-AN125		
				'04 A1	'04 C1	'04 D1
11012	11012-1927	CAP,IGNITION SWITCH		1	1	1
11012A	11012-1962	CAP,IGNITION SWITCH		1	1	1
27005	27005-1237	SWITCH-ASSY-IGNITION		1	1	1
27010	27010-1451	SWITCH,REAR BRAKE		1	1	1
27016	27016-1122	LOCK-ASSY		1	1	1
27016A	27016-5282	LOCK-ASSY,SEAT		1	1	1
27045	27045-5162	SWITCH-ASSY		1	1	1
28012	28012-1074	REFLECTOR-REFLEX		1	1	1
92015	92015-1193	NUT,FLANGED,6MM		5	5	5
92022	92022-125	WASHER,6.5X20X1.6		1	1	1
92144	92144-1191	SPRING.BRAKE LAMP SWITCH		1	1	1
92160	92160-1115	DAMPER		1	1	1

This catalog covers:

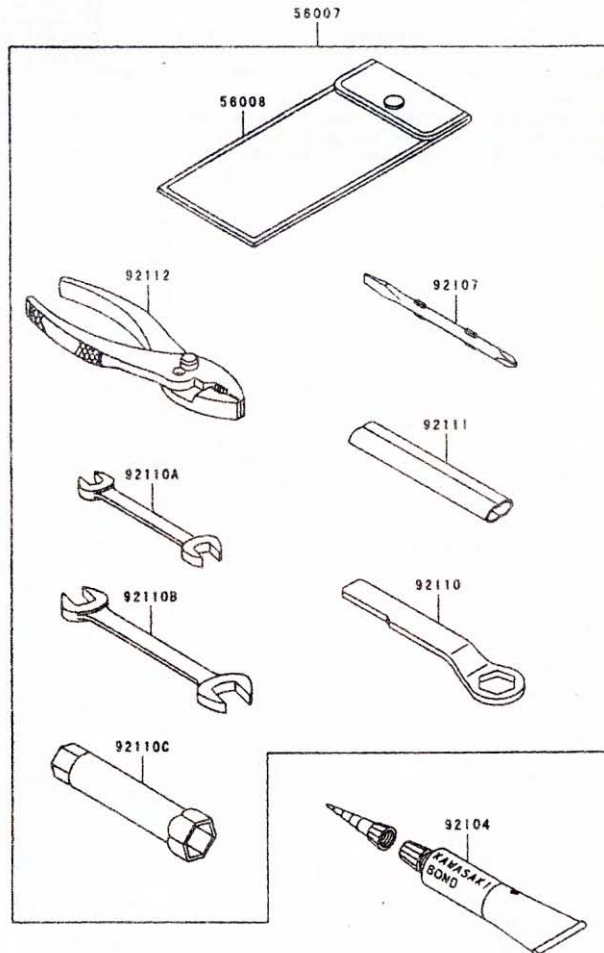
'04 AN125-A1/C1/D1 Chassis

GRID NO.

F-9

This grid covers:

Owner's Tools



F2810

Ref. No.	Part No.	Description	Spec Code	Quantity-AN125			
				'04 A1	'04 C1	'04 D1	
56007	56007-1487	TOOL-KIT		1	1	1	
56008	56008-1084	BAG,TOOL		1	1	1	
92104	92104-002	GASKET-LIQUID,TUBE,100G,SILVER		1	1	1	
92107	92107-1060	TOOL-DRIVER,#2PHILLIPS&SLOT		1	1	1	
92110	92110-1186	TOOL-WRENCH,BOX END,22MM		1	1	1	
92110A	92110-1207	TOOL-WRENCH,OPEN END,10X12		1	1	1	
92110B	92110-1208	TOOL-WRENCH,OPEN END,14X17		1	1	1	
92110C	92110-1222	TOOL-WRENCH,BOX,16MM		1	1	1	
92111	92111-1058	TOOL-BAR,BOX END WRENCH		1	1	1	
92112	92112-1056	TOOL-PLIERS		1	1	1	

This catalog covers:

'04 AN125-A1/C1/D1 Chassis

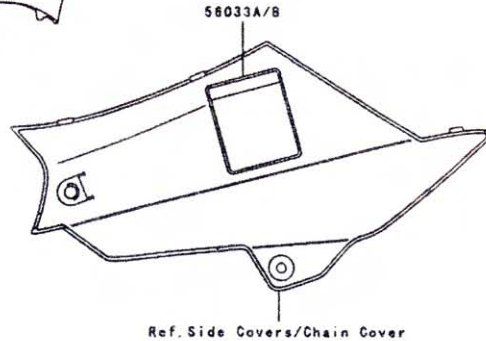
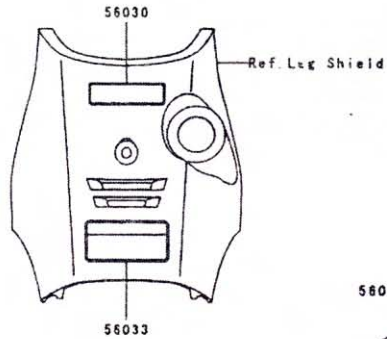
GRID NO.

F-10

This grid covers:

Labels

F2850



Ref. No.	Part No.	Description	Spec Code	Quantity-AN125			
				'04 A1	'04 C1	'04 D1	
56030	56030-1198	LABEL,INFORMATION		1	1	1	
56033	56033-1121	LABEL-MANUAL,ENGINE START		1	1	1	
56033A	56033-1122	LABEL-MANUAL,BATTERY VENT				1	
56033B	56033-1374	LABEL-MANUAL,BATTERY VENT		1	1		

This catalog covers:

'04 AN125-A1/C1/D1 Chassis

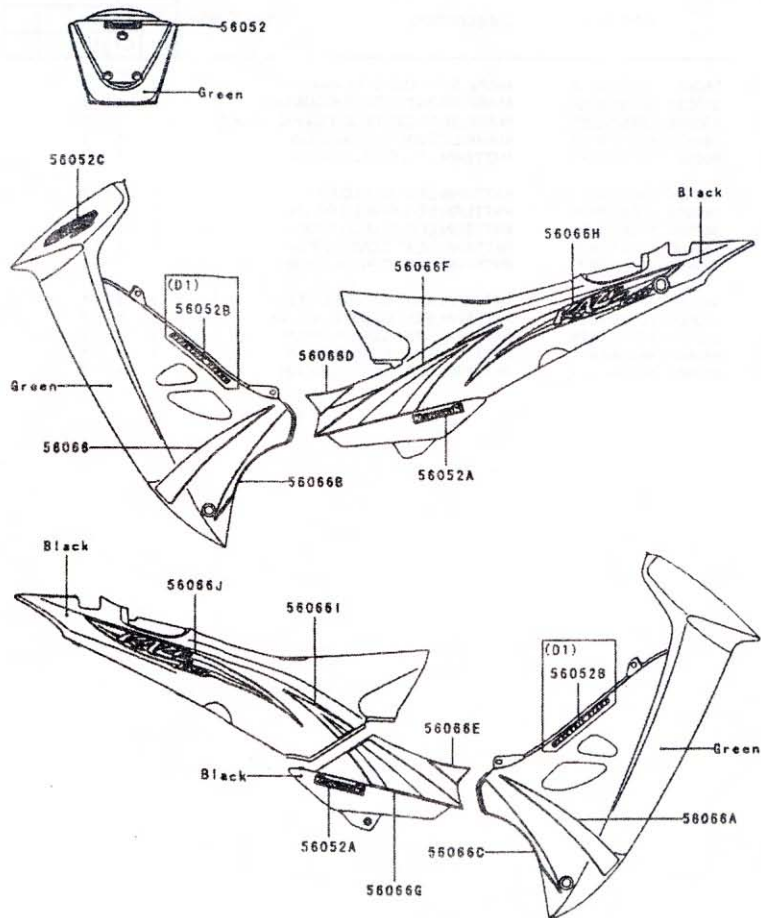
GRID NO.

F-11

This grid covers:

Decals(Green)

F2861



Ref. No.	Part No.	Description	Spec Code	Quantity-AN125			
				'04 A1	'04 C1	'04 D1	
56052	56052-0223	MARK.FRONT COVER,KAWASAKI		1	1	1	
56052A	56052-0263	MARK.SEAT COVER,KAWASAKI		2	2	2	
56052B	56052-0265	MARK.SEAT COVER,ELECTRIC START				2	
56052C	56052-0267	MARK.LEG SHIELD,KAZE 125		1	1	1	
56066	56066-0646	PATTERN.LEG SHIELD.FR,LH		1	1	1	
56066A	56066-0647	PATTERN.LEG SHIELD.FR,RH		1	1	1	
56066B	56066-0648	PATTERN.LEG SHIELD.RR,LH		1	1	1	
56066C	56066-0649	PATTERN.LEG SHIELD.RR,RH		1	1	1	
56066D	56066-0650	PATTERN.SEAT COVER.FR,LH		1	1	1	
56066E	56066-0651	PATTERN.SIDE COVER.UPP,RH		1	1	1	
56066F	56066-0652	PATTERN.SEAT COVER.CNT,LH		1	1	1	
56066G	56066-0653	PATTERN.SIDE COVER.LWR,RH		1	1	1	
56066H	56066-0654	PATTERN.SEAT COVER.RR,LH		1	1	1	
56066I	56066-0655	PATTERN.SEAT COVER.FR,RH		1	1	1	
56066J	56066-0656	PATTERN.SEAT COVER.RR,RH		1	1	1	

This catalog covers:

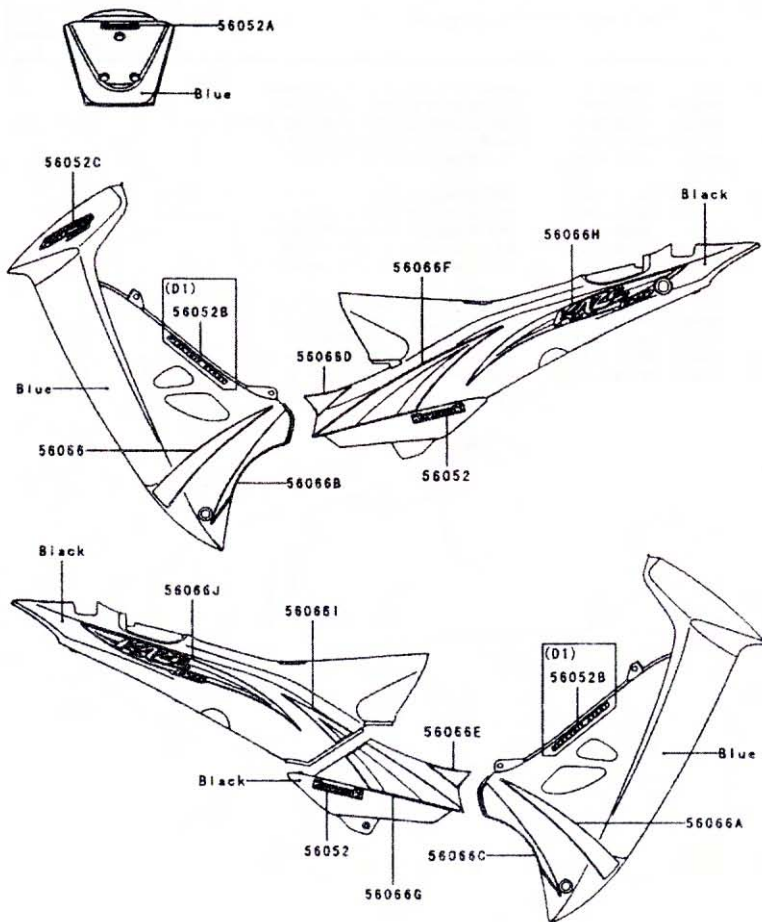
'04 AN125-A1/C1/D1 Chassis

GRID NO. This grid covers:

F-12

Decals(Blue)

F2861A



Ref. No.	Part No.	Description	Spec Code	Quantity-AN125		
				'04	'04	'04
				A1	C1	D1
56052	56052-0263	MARK,SEAT COVER,KAWASAKI	2	2	2	
56052A	56052-0264	MARK,FRONT COVER,KAWASAKI	1	1	1	
56052B	56052-0266	MARK,SEAT COVER,ELECTRIC START	1	1	2	
56052C	56052-0269	MARK,LEG SHIELD,KAZE 125	1	1	1	
56066	56066-0668	PATTERN,LEG SHIELD,FR,LH	1	1	1	
56066A	56066-0669	PATTERN,LEG SHIELD,FR,RH	1	1	1	
56066B	56066-0670	PATTERN,LEG SHIELD,RR,LH	1	1	1	
56066C	56066-0671	PATTERN,LEG SHIELD,RR,RH	1	1	1	
56066D	56066-0672	PATTERN,SEAT COVER,FR,LH	1	1	1	
56066E	56066-0673	PATTERN,SIDE COVER,UPP,RH	1	1	1	
56066F	56066-0674	PATTERN,SEAT COVER,CNT,LH	1	1	1	
56066G	56066-0675	PATTERN,SIDE COVER,LWR,RH	1	1	1	
56066H	56066-0676	PATTERN,SEAT COVER,RR,LH	1	1	1	
56066I	56066-0677	PATTERN,SEAT COVER,FR,RH	1	1	1	
56066J	56066-0678	PATTERN,SEAT COVER,RR,RH	1	1	1	

This catalog covers:

'04 AN125-A1/C1/D1 Chassis

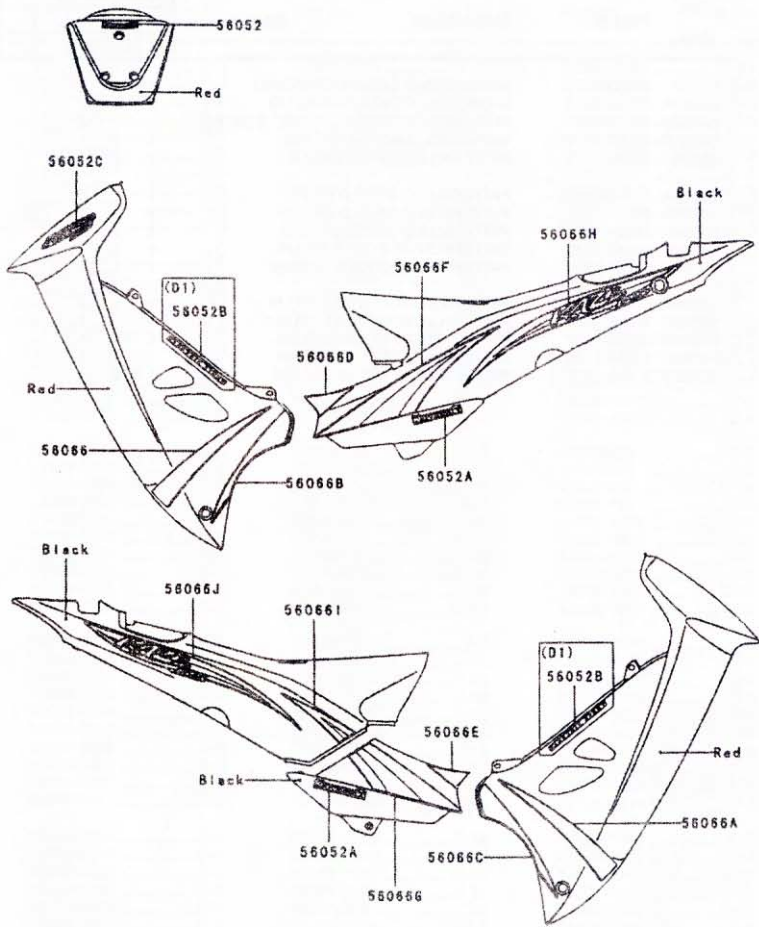
GRID NO.

F-13

This grid covers:

Decals(Red)

F28818



Ref. No.	Part No.	Description	Spec Code	Quantity-AN125		
				'04 A1	'04 C1	'04 D1
56052	56052-0223	MARK,FRONT COVER,KAWASAKI	1	1	1	
56052A	56052-0263	MARK,SEAT COVER,KAWASAKI	2	2	2	
56052B	56052-0265	MARK,SEAT COVER,ELECTRIC START	1	1	2	
56052C	56052-0268	MARK,LEG SHIELD,KAZE 125	1	1	1	
56066	56066-0657	PATTERN,LEG SHIELD,FR,LH	1	1	1	
56066A	56066-0658	PATTERN,LEG SHIELD,FR,RH	1	1	1	
56066B	56066-0659	PATTERN,LEG SHIELD,RR,LH	1	1	1	
56066C	56066-0660	PATTERN,LEG SHIELD,RR,RH	1	1	1	
56066D	56066-0661	PATTERN,SEAT COVER,FR,LH	1	1	1	
56066E	56066-0662	PATTERN,SIDE COVER,UPP,RH	1	1	1	
56066F	56066-0663	PATTERN,SEAT COVER,CNT,LH	1	1	1	
56066G	56066-0664	PATTERN,SIDE COVER,LWR,RH	1	1	1	
56066H	56066-0665	PATTERN,SEAT COVER,FR,LH	1	1	1	
56066I	56066-0666	PATTERN,SEAT COVER,FR,RH	1	1	1	
56066J	56066-0667	PATTERN,SEAT COVER,RR,RH	1	1	1	

This catalog covers:

'04 AN125-A1/C1/D1 Chassis

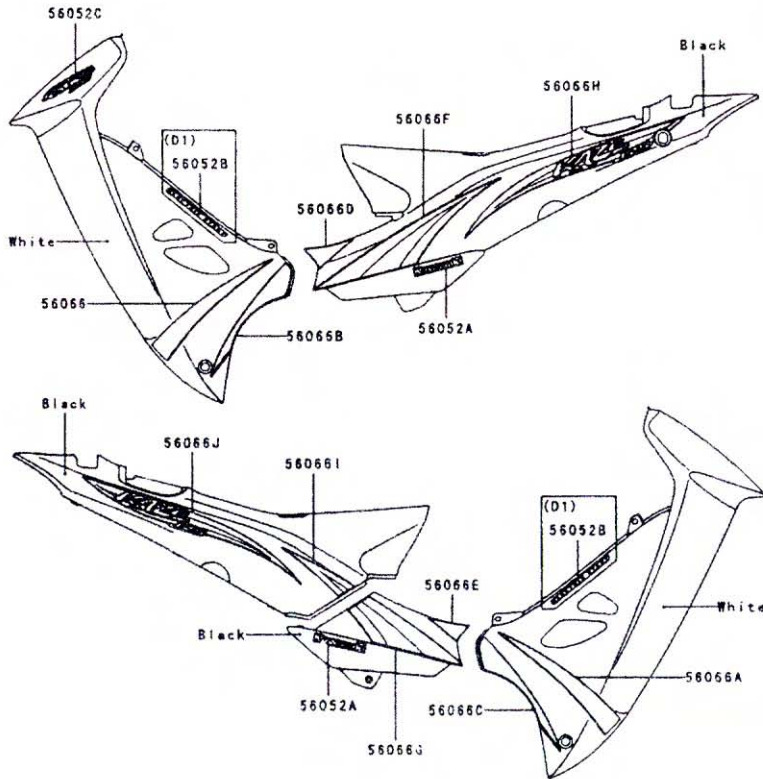
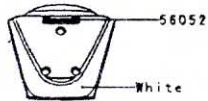
GRID NO.

This grid covers:

F-14

Decals(White)

F2861C



Ref. No.	Part No.	Description	Spec Code	Quantity-AN125			
				'04	'04	'04	
				A1	C1	D1	
56052	56052-0223	MARK,FRONT COVER,KAWASAKI	1	1	1		
56052A	56052-0263	MARK,SEAT COVER,KAWASAKI	2	2	2		
56052B	56052-0265	MARK,SEAT COVER,ELECTRIC START			2		
56052C	56052-0270	MARK,LEG SHIELD,KAZE 125	1	1	1		
56066	56066-0679	PATTERN,LEG SHIELD,FR,LH	1	1	1		
56066A	56066-0680	PATTERN,LEG SHIELD,FR,RH	1	1	1		
56066B	56066-0681	PATTERN,LEG SHIELD,RR,LH	1	1	1		
56066C	56066-0682	PATTERN,LEG SHIELD,RR,RH	1	1	1		
56066D	56066-0683	PATTERN,SEAT COVER,FR,LH	1	1	1		
56066E	56066-0684	PATTERN,SIDE COVER,UPP,RH	1	1	1		
56066F	56066-0685	PATTERN,SEAT COVER,CNT,LH	1	1	1		
56066G	56066-0686	PATTERN,SIDE COVER,LWR,RH	1	1	1		
56066H	56066-0687	PATTERN,SEAT COVER,RR,LH	1	1	1		
56066I	56066-0688	PATTERN,SEAT COVER,FR,RH	1	1	1		
56066J	56066-0689	PATTERN,SEAT COVER,RR,RH	1	1	1		

This catalog covers:

'04 AN125-A1/C1/D1

GRID NO. This grid covers:

L-14

Numerical Parts Index

Part No.	Grid No.	Part No.	Grid No.	Part No.	Grid No.	Part No.	Grid No.	Part No.	Grid No.	Part No.	Grid No.
11004-0009	B-3	13032-1277	B-10	13206-1006	B-11	14091-5108-G3	F-4	220B0625	C-8	27045-5162	F-8
11008-1431	B-3	13034-0001	B-10	13236-1256	C-3	14091-5126-167	E-9	220B0630	C-7	28011-0011	E-12
11009-1332	C-4	13035-1092	B-10	13236-1288	C-3	14091-5127-167	E-9	220C0525	E-4	28012-1074	F-8
11009-1344	C-4	13037-0008	B-10	13242-1381	C-3	14091-5128-167	E-9	220C0525	E-5	311B0600	D-5
11010-1772	B-5	13042-1095	E-4	13242-1382	C-3	14091-5129-167	E-9	220C0540	E-4	315B1000	D-12
11012-1303	B-3	13042-1095	E-5	13260-1840	B-13	14091-5130-167	E-9	220C0540	E-5	32085-1428	B-7
11012-1861	D-3	13042-1141	B-8	13260-1857	B-13	14091-5131-167	E-9	220D0512	E-8	32085-1515	B-13
11012-1927	F-8	13064-1203	B-11	13260-1860	B-13	14091-5132-620	F-3	220X0612	C-4	32085-1553	B-7
11012-1940	C-6	13066-1108	B-11	13260-1861	B-13	14091-5132-620	F-4	220X0625	C-10	32097-1169	D-4
11012-1962	F-8	13070-1035	B-11	13260-1862	B-13	14091-5133-167	E-9	220X0625	C-5	32109-1304-X6	D-4
11012-1980	C-7	13070-1319	C-4	13260-1986	B-13	14091-5134-167	E-9	220X0635	C-5	32151-1961	C-4
11013-1293	B-5	13078-1069	B-11	13270-1754	C-8	15003-0020	C-6	220X0645	C-5	32160-1815	D-3
11052-1854	E-9	13086-1065	B-12	13270-1800	C-5	16007-1187	B-7	220X0650	C-4	33001-0022-10	D-5
11052-1955	F-3	13087-1151	B-12	13270-1961	C-8	16014-1093	C-6	220X0675	C-4	33032-1184	D-5
11052-1965	F-4	13088-1142	B-12	13271-1668	C-6	16017-1399	C-6	221B0414	E-8	33040-1006	D-5
11060-1700	C-6	13089-1087	B-12	13280-0041	C-5	16021-1203	C-6	221B0614	B-7	34003-0011	D-6
11060-1794	B-3	13091-1782	B-12	13280-1228	B-14	16025-1225	C-6	223D0406	C-10	34011-1202	D-8
11060-1796	B-4	13091-1787	B-12	13280-1250	B-12	16030-1082	C-6	223D0516	C-10	34019-1054	D-8
11060-1797	C-5	13095-1403	B-12	13280-1282	C-6	16031-1107	C-6	223X0610	B-6	34024-1385	D-8
11060-1798	C-5	13095-1422	B-12	13280-1302	E-4	16060-1079	B-3	224D0610	F-7	34028-1437	D-6
11061-1112	B-6	130G0616	D-5	132G0625	B-8	16073-1102	B-3	23007-0007	F-5	34028-1438	D-6
11061-1118	E-8	130H0612	E-10	132G0625	B-9	16073-1108	B-3	23008-0009	F-5	35004-1440-175	D-7
11061-1125	E-8	130H0820	D-4	132J0625	D-14	16082-1052	C-7	23008-1663	E-12	35004-1440-620	D-7
11065-1235	C-6	130J0512	F-5	14002-1971	C-4	16085-1350	C-10	23025-1322	F-6	35004-1440-DU	D-7
112G0520	B-12	130J0612	E-8	14002-1972	C-4	16085-1353	C-10	23026-1249	F-6	35004-1440-G3	D-7
12004-1158	B-7	130J0612	F-7	14002-1973	C-4	16097-1071	C-7	23026-1250	F-6	35004-1441-256	D-7
12005-1331	B-7	130J0616	E-13	14014-1118	C-3	16115-1068	C-5	235B0510	C-4	35004-1451-256	D-7
12009-1073	B-7	130J0625	E-11	14020-0001	E-8	16146-1228	B-5	235B0514	B-14	35023-1568	D-7
12011-1053	B-7	130J0625	E-4	14020-1100	B-12	16146-1229	C-6	235B0614	C-4	35023-1569-256	D-7
12016-0001	B-7	130J0670	E-10	14026-1284	C-5	16187-0024	C-6	25009-004	F-5	35063-0087	D-6
12020-1073	B-7	130J0835	F-3	14031-1342	C-5	18087-0028	B-6	26006-1002	F-7	35063-0088	D-6
12046-1206	B-9	130J0835	F-4	14032-1465	C-5	183H0816	B-6	26011-1683	F-7	35063-1210	B-5
12046-1221	B-8	130P0622	B-11	14037-1297	B-5	183H0816	D-6	26011-1819	C-10	36014-0001	E-14
12046-1164	B-8	13102-1135	B-12	14073-1810	B-5	21003-1390	C-8	26011-1828	F-7	36032-5332-167	E-14
12048-1164	B-9	13102-1136	B-12	14090-1813	D-7	21007-1408	C-8	26012-0033	F-7	36032-5333-167	E-14
12053-1397	B-8	13107-1142	C-10	14091-1413-167	E-9	21039-1067	C-10	26012-0039	F-7	36032-5334-167	E-14
12053-1397	B-9	13127-1280	B-13	14091-1415-256	F-3	21066-1132	C-8	26012-1376	F-7	36032-5335-167	E-14
12053-1461	B-8	13128-1244	B-13	14091-1415-256	F-4	21119-1601	C-8	26012-1380	F-7	39058-0001	E-4
12053-1461	B-9	13140-1263	B-14	14091-1416-256	F-3	21121-1305	C-9	26030-1966	F-7	39058-0001	E-5
120P0610	B-8	13140-1289	B-14	14091-1416-256	F-4	21130-1003	C-9	26030-1968	F-7	39076-1078	C-10
120P0612	B-9	13141-1222	B-14	14091-1444	C-5	21132-005	C-9	26030-1969	F-7	39156-0041	F-3
13001-0019	B-4	13144-1145	B-13	14091-1447	B-3	21163-1325	C-10	27002-1103	F-7	39156-0041	F-4
13002-1123	B-4	13145-1093	B-14	14091-1465	E-12	220B0514	C-8	27002-1118	C-10	39156-1696	B-5
13008-0006	B-4	13151-1070	B-14	14091-1466	E-12	220B0535	C-9	27003-1432	F-7	39184-1011	C-10
13024-0005	B-4	13157-004	C-3	14091-1467	E-12	220B0608	C-8	27005-1237	F-8	39193-1042	C-4
13025-0006	B-4	13161-0003	C-3	14091-5108-175	F-3	220B0614	B-7	27010-0014	E-4	41009-0019	D-9
13027-0007	B-4	13168-1756	E-4	14091-5108-175	F-4	220B0614	C-3	27010-1170	D-14	41009-0020	C-5
13029-0008	B-4	13168-1756	E-5	14091-5108-DU	F-3	220B0614	C-4	27010-1451	F-8	41009-1366	D-8
13031-0010	B-10	13194-0003	C-10	14091-5108-DU	F-4	220B0614	C-8	27016-1122	F-8	41009-1399	D-9
13031-0011	B-10	13194-1103	B-12	14091-5108-G3	F-3	220B0625	C-7	27016-5282	F-8	41022-1147	D-9

This catalog covers:

'04 AN125-A1/C1/D1

GRID NO.

This grid covers:

L-15

Numerical Parts Index

Part No.	Grid No.	Part No.	Grid No.	Part No.	Grid No.	Part No.	Grid No.	Part No.	Grid No.	Part No.	Grid No.
41022-1232	D-9	43007-1202	D-13	46092-1193	E-4	550D2018	D-13	56066-0664	F-13	610A0408	B-14
41022-1234	D-9	43011-1177	D-13	480J1600	B-11	550D2525	D-10	56066-0665	F-13	670B1508	B-12
41022-1238	D-9	43012-001	D-13	480J1700	B-13	550D2525	D-11	56066-0666	F-13	670B1510	C-4
41023-1137	D-9	43015-1690	D-14	481J3500	D-11	550D3025	D-12	56066-0667	F-13	670B1510	C-7
41023-1140	D-9	43020-1095	D-14	482J5000	B-8	550D3030	D-8	56066-0668	F-12	670D2010	B-8
41025-0006	D-9	43022-1010	D-14	482L8000	B-11	555A0214	D-11	56066-0669	F-12	670D2010	B-9
41025-1385	D-9	43026-1074	D-14	49002-1130	B-3	56001-1568	E-4	56066-0670	F-12	670D2021	B-8
41029-1208	D-9	43028-1061	D-14	49006-1088	E-3	56001-1568	E-5	56066-0671	F-12	670D2021	B-9
41029-1209	D-9	43034-1016	D-14	49006-1242	E-3	56001-1569	E-4	56066-0672	F-12	92001-1455	C-4
41029-1326	D-9	43041-1896-8Q	E-3	49016-1044	D-14	56001-1569	E-5	56066-0673	F-12	92001-1728	D-14
41030-1123	D-9	43048-1066	E-3	49047-1058	B-14	56007-1487	F-9	56066-0674	F-12	92001-1837	E-3
41030-1124	D-9	43049-1063	E-3	49070-1166	B-6	56008-1084	F-9	56066-0675	F-12	92002-1087	D-4
41030-1179	D-9	43049-1064	E-3	49078-1151	B-7	56030-1198	F-10	56066-0676	F-12	92002-1237	C-3
41032-024	D-9	43056-1056	E-3	49106-0015	B-6	56033-1121	F-10	56066-0677	F-12	92002-1323	D-14
41034-0011	D-12	43057-1001	E-3	49107-1121	B-6	56033-1122	F-10	56066-0678	F-12	92002-1888	D-14
41034-1329	D-11	43067-001	D-14	49118-1208	B-9	56033-1374	F-10	56066-0679	F-14	92004-1234	B-3
41034-1330	D-10	43082-1128	E-3	49118-1222	B-8	56052-0223	F-11	56066-0680	F-14	92004-1281	C-4
41035-1538	D-10	43095-0020	D-14	51001-0015	E-8	56052-0223	F-13	56066-0681	F-14	92009-1057	C-6
41035-1539	D-12	44005-0019	E-6	51023-1340	E-8	56052-0223	F-14	56066-0682	F-14	92009-1104	B-11
41036-1364	B-12	44005-0020	E-7	51048-1169	E-8	56052-0263	F-11	56066-0683	F-14	92009-1109	B-7
41039-002	D-10	44006-0019	E-6	510A3200	B-10	56052-0263	F-12	56066-0684	F-14	92009-1297	F-6
41048-1139	D-10	44006-0020	E-7	52005-1055	C-5	56052-0263	F-13	56066-0685	F-14	92009-1400	D-7
41048-1139	D-12	44013-1499	E-6	52005-1150	E-8	56052-0263	F-14	56066-0686	F-14	92009-1458	D-14
41050-018	D-10	44013-1499	E-7	52010-1053	C-7	56052-0264	F-12	56066-0687	F-14	92009-1465	E-9
41050-1098	D-12	44023-1164	E-6	53009-1113	E-9	56052-0265	F-11	56066-0688	F-14	92009-1520	F-3
41051-001	D-12	44023-1164	E-7	53044-1327	E-5	56052-0265	F-13	56066-0689	F-14	92009-1520	F-4
41053-1085	D-10	44026-1651	E-6	53044-1330	E-9	56052-0265	F-14	59051-1402	B-10	92009-1717	E-4
41053-1089	D-12	44026-1651	E-7	53063-1058	E-11	56052-0266	F-12	59051-1403	B-12	92009-1717	E-5
41060-1162	D-10	44026-1770	E-6	53066-1051-313	E-9	56052-0267	F-11	59051-1404	B-11	92009-1745	C-5
41060-1171	D-10	44026-1770	E-7	54001-1253	E-13	56052-0268	F-13	59441-0007-176	E-4	92009-1750	C-6
41060-1171	D-11	44037-0014	E-6	54005-1213	E-13	56052-0269	F-12	59441-0007-609	E-4	92009-1776	F-3
41060-1175	D-11	44037-0014	E-7	54012-1680	E-13	56052-0270	F-14	59441-0007-623	E-4	92009-1776	F-4
41068-1442	D-12	44044-020	E-6	54017-1217	E-13	56066-0646	F-11	59441-0007-ID	E-4	92009-1983	F-3
41068-1445	D-10	44044-020	E-7	55020-1770	D-5	56066-0647	F-11	59441-0009-176	E-5	92009-1983	F-4
41068-1445	D-11	44045-051	E-6	55052-5062-175	F-3	56066-0648	F-11	59441-0009-609	E-5	92009-1985	B-5
41078-1109	D-11	44045-051	E-7	55052-5063-175	F-3	56066-0649	F-11	59441-0009-623	E-5	92009-1986	B-5
41080-1523-CL	E-3	44075-0029	E-6	55052-5064-DU	F-3	56066-0650	F-11	59441-0009-ID	E-5	92015-042	D-13
41082-001	D-10	44075-0030	E-7	55052-5065-DU	F-3	56066-0651	F-11	59441-1164-256	E-4	92015-1137	B-7
41085-1079	D-12	45014-0041-FU	D-5	55052-5066-620	F-3	56066-0652	F-11	59441-1167-256	E-5	92015-1151	B-3
41085-1094	D-10	46019-0003	E-4	55052-5067-620	F-3	56066-0653	F-11	600A0800	B-11	92015-1180	D-4
410B0800	D-6	46019-0003	E-5	55052-5068-G3	F-3	56066-0654	F-11	600A0800	D-3	92015-1188	D-8
410B1000	B-11	46075-0007	E-4	55052-5069-G3	F-3	56066-0655	F-11	601A6201	C-4	92015-1193	D-10
410B1200	D-12	46075-0007	E-5	55052-5070-175	F-4	56066-0656	F-11	601A6203	C-4	92015-1193	D-12
410F1200	D-5	46076-0008	E-4	55052-5071-175	F-4	56066-0657	F-13	601B6004UG	D-12	92015-1193	F-8
410F1200	D-6	46091-1851	E-5	55052-5072-DU	F-4	56066-0658	F-13	601B6200UG	D-10	92015-1233	D-14
42033-1225	D-12	46091-1852	E-4	55052-5073-DU	F-4	56066-0659	F-13	601B6200UG	D-11	92015-1233	E-4
42036-1292	D-12	46091-1852	E-5	55052-5074-620	F-4	56066-0660	F-13	601B6201UG	D-12	92015-1233	E-9
42036-1332	D-13	46091-1853	E-4	55052-5075-620	F-4	56066-0661	F-13	601B6300UG	D-10	92015-1331	B-6
42041-1544	D-12	46091-1853	E-5	55052-5076-G3	F-4	56066-0662	F-13	601B6300UG	D-11	92015-1339	D-6
43001-1443	D-13	46092-1119	D-14	55052-5077-G3	F-4	56066-0663	F-13	601B6301UG	D-12	92015-1428	D-13

This catalog covers:

'04 AN125-A1/C1/D1

GRID NO. This grid covers:

L-16

Numerical Parts Index

Part No.	Grid No.	Part No.	Grid No.	Part No.	Grid No.	Part No.	Grid No.	Part No.	Grid No.	Part No.	Grid No.
92015-1428	D-6	92045-1349	C-10	92070-1114	C-9	92145-0106	D-8	92153-0005	D-8	92191-1142	C-6
92015-1627	F-3	92046-1148	C-4	92071-1015	C-9	92145-1091	C-7	92153-0525	B-12	92191-1204	C-6
92015-1627	F-4	92048-1119	E-6	92071-1043	E-14	92145-1303	B-8	92153-1184	B-3	92191-1684	B-5
92015-1685	D-5	92048-1119	E-7	92071-1043	E-9	92145-1381	B-13	92153-1184	C-7	92191-1685	B-5
92015-1870	D-12	92048-1120	D-3	92072-1237	F-7	92145-1407	C-6	92153-1185	B-8	92191-1734	B-3
92015-1900	D-3	92048-1121	D-3	92072-1293	F-7	92145-1408	C-6	92153-1185	B-9	92191-1768	C-6
92015-1901	D-3	92048-1122	D-3	92072-1345	D-4	92145-1456	B-12	92153-1186	B-6	92200-1120	D-6
92022-044	D-5	92049-1048	C-4	92072-1424	D-4	92145-1457	B-12	92153-1187	B-3	92200-1446	B-6
92022-100	D-6	92049-1095	D-11	92072-1432	D-4	92150-1133	D-7	92153-1187	C-6	92200-1607	D-5
92022-104	F-6	92049-1173	D-11	92075-015	B-6	92150-1174	E-6	92153-1195	E-8	92200-1612	E-6
92022-1143	D-7	92049-1349	B-7	92075-051	D-4	92150-1174	E-7	92153-1198	D-13	92200-1612	E-7
92022-1143	E-9	92049-1432	E-6	92075-1634	F-3	92150-1380	B-8	92160-1115	F-8	92200-1643	F-3
92022-1224	B-11	92049-1432	E-7	92075-1634	F-4	92150-1380	B-9	92160-1116	B-6	92200-1643	F-4
92022-125	F-8	92049-1465	C-10	92075-1690	F-6	92150-1432	E-6	92160-1292	D-4	92210-0004	B-12
92022-1510	D-11	92049-1489	D-10	92081-076	C-3	92150-1432	E-7	92160-1821	D-6	92210-1085	D-5
92022-1521	E-14	92049-1490	D-12	92081-122	B-11	92150-1433	B-14	92160-1864	F-3	92210-1345	E-9
92022-1521	F-3	92049-1579	D-10	92081-1276	B-11	92150-1556	C-4	92160-1864	F-4	92210-1374	B-10
92022-1521	F-4	92049-1595	C-5	92087-1065	D-11	92150-1626	C-3	92161-0084	D-12	92210-1374	B-12
92022-1565	D-5	92051-003	C-5	92092-1088	D-5	92150-1728	E-3	92161-1250	B-11	92210-1375	B-10
92022-1565	D-6	92051-005	C-4	92093-1079	C-10	92150-1761	B-3	92161-1251	D-6	92210-1376	B-6
92022-1690	D-5	92055-004	D-10	92093-1559	E-6	92150-1831	D-4	92161-1262	D-5	92210-1382	D-6
92022-1705	D-12	92055-049	C-5	92093-1559	E-7	92150-1872	D-13	92161-1263	D-5	92210-1383	D-10
92022-183	E-8	92055-091	B-14	92093-1568	B-5	92150-1873	D-13	92161-1288	E-9	92210-1383	D-11
92022-263	E-12	92055-1053	C-6	92104-002	F-9	92150-1907	C-10	92170-1067	D-14	98111-0007	B-4
92025-1280	B-13	92055-1231	B-3	92107-1060	F-9	92151-1160	D-12	92170-1574	E-13		
92026-1091	B-13	92055-1235	B-13	92110-1186	F-9	92151-1194	D-6	92171-0025	E-13		
92026-1217	C-3	92055-1276	C-10	92110-1207	F-9	92151-1196	D-4	92171-1051	B-3		
92026-1605	B-12	92055-1527	B-3	92110-1208	F-9	92151-1209	D-10	92171-1055	B-5		
92033-1060	B-13	92055-1528	B-3	92110-1222	F-9	92151-1209	D-12	92171-1184	B-3		
92033-1065	B-12	92055-1541	C-6	92111-1058	F-9	92151-1212	C-5	92171-1296	F-7		
92033-1072	B-4	92055-1586	E-8	92112-1056	F-9	92151-1413	E-4	92171-1436	B-5		
92033-1160	D-11	92055-1664	E-8	92139-1060	D-10	92151-1413	E-5	92171-1450	E-13		
92033-1247	B-3	92055-1675	E-6	92139-1102	B-13	92151-1986	E-4	92172-0004	B-5		
92033-1328	E-6	92055-1675	E-7	92143-1016	F-3	92152-0086	D-5	92172-0004	D-4		
92033-1328	E-7	92055-3018	C-7	92143-1016	F-4	92152-0113	B-12	92172-0004	D-7		
92037-1142	C-6	92057-0032	B-8	92143-1533	D-12	92152-1104	B-6	92172-0004	E-9		
92037-1601	C-6	92057-0032	B-9	92143-1680	B-13	92152-1106	E-4	92172-0004	F-3		
92037-1900	B-5	92057-1506	D-12	92143-1687	D-10	92152-1106	E-5	92172-0004	F-4		
92037-1972	B-5	92063-1393	C-6	92143-1847	D-11	92152-1286	D-11	92172-0008	E-14		
92043-039	D-13	92063-1395	C-6	92144-1107	C-3	92152-1364	F-3	92172-0009	E-12		
92043-1263	C-4	92063-1396	C-6	92144-1191	F-8	92152-1364	F-4	92172-0009	F-6		
92043-1263	C-7	92063-1397	C-6	92144-1245	B-14	92152-1367	D-12	92172-1066	E-4		
92043-1264	B-3	92064-1204	C-6	92144-1385	D-8	92152-1369	B-8	92172-1066	E-5		
92043-1264	B-4	92066-1174	C-4	92144-1590	C-3	92152-1369	B-9	92172-1068	E-4		
92043-1385	B-14	92069-0002	F-5	92144-1791	B-11	92152-1370	B-12	92172-1068	E-5		
92043-1416	E-3	92069-1007	E-12	92144-1847	E-3	92152-1372	C-9	92172-1069	D-7		
92043-1542	D-13	92069-1059	E-12	92144-1907	D-10	92152-1374	E-9	92172-1069	E-14		
92045-1123	B-12	92069-1089	F-6	92144-1907	D-12	92152-1376	F-3	92172-1071	F-3		
92045-1171	C-4	92069-1124	F-5	92144-1910	D-13	92152-1376	F-4	92172-1071	F-4		
92045-1293	B-10	92069-1124	F-6	92144-1994	C-6	92152-1433	D-12	92172-1077	C-8		