

**Kawasaki**

**GT  
CLASSIC**



**CATÁLOGO DE PARTES**



**GTO 125**

# **Motorcycle Parts Catalog**



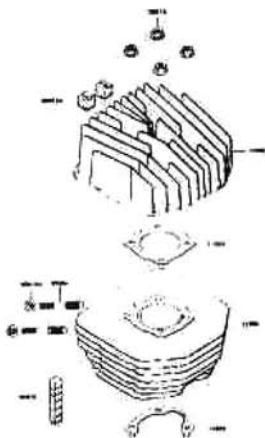
## GTO Classic

Model	GTO 125
Year	1998
Color	Blue
	LightBlue
	Red
Engine No.	Range KH125ME00001~
Frame No.	Range KH125M-A00001~

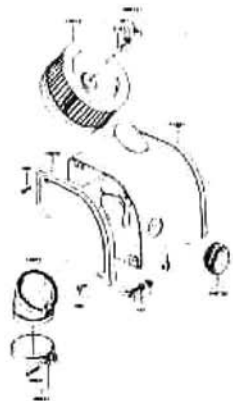
## Painted Parts List

Description	Group	Part No.	Color-Code		
			Blue	LightBlue	Red
Cover-Tail	30	14025-A055-??	B1	B2	R1
Cover-Side,LH	33	36001-A009-??	B1	B2	R1
Cover-Side,RH	33	36001-A010-??	B1	B2	R1
Tank-Comp-Fuel	28	51001-1512-??	B1	B2	R1

1 Cylinder & C



2 Air Filter

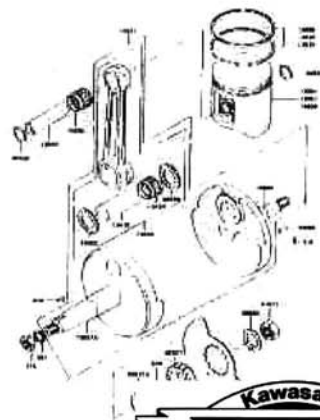


3 Muffler



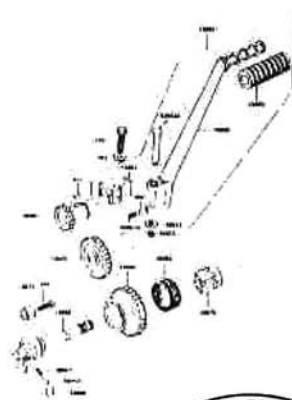
4 Crankshaft & Piston

Page 4



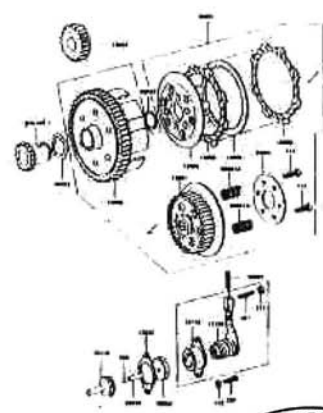
5 Kickstarter Mechanism

Page 6

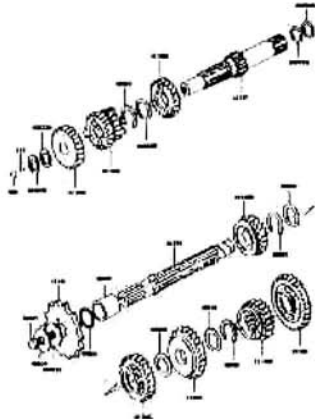


6 Clutch

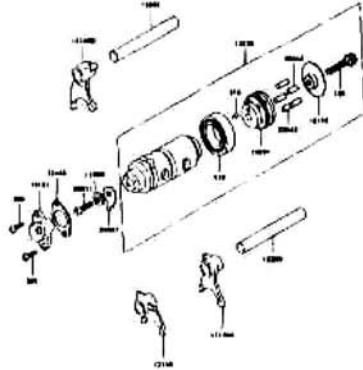
Page 7



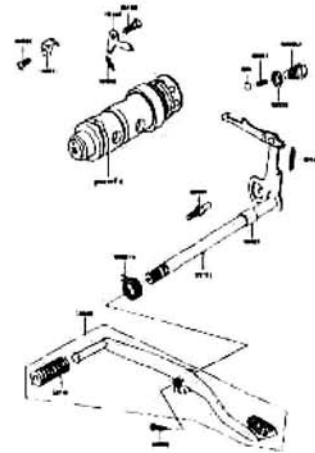
7 Transmission



8 Change Drum

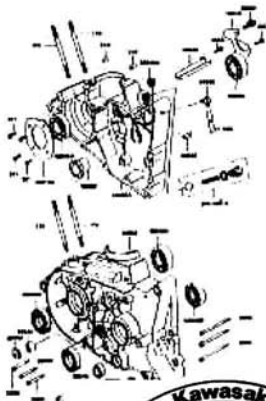


9 Gear Change Me



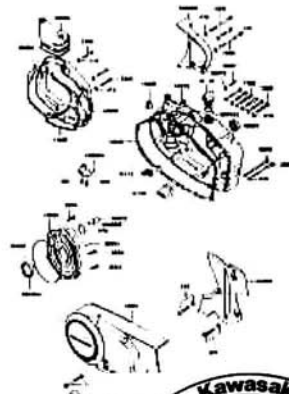
10 Crankcase

Page 11



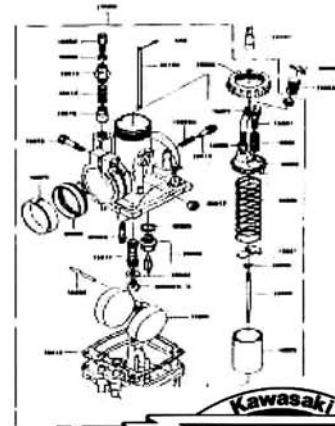
11 Engine Cover

Page 13



12 Carburetor

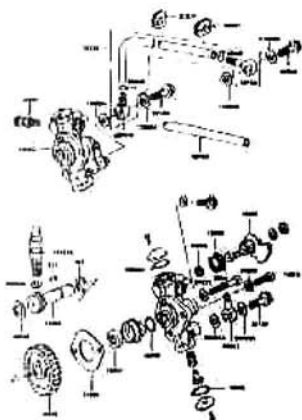
Page 15



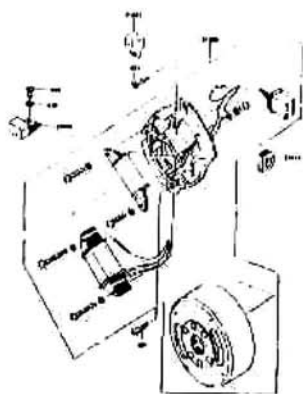




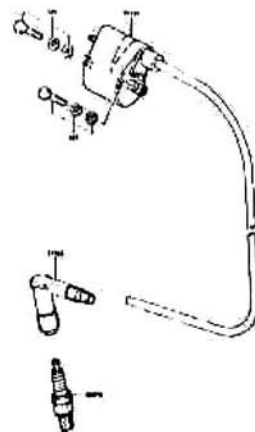
13 EMI Pump



14 Generator

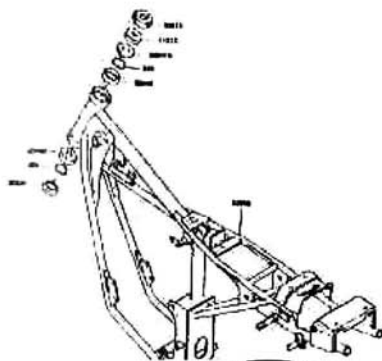


15 Ignition Coil



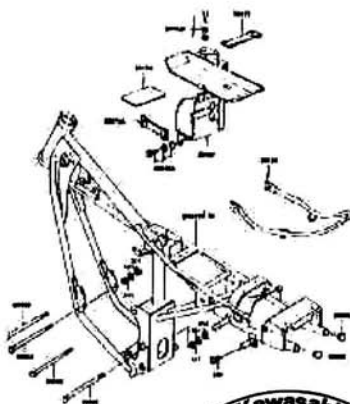
16 Frame

Page 20



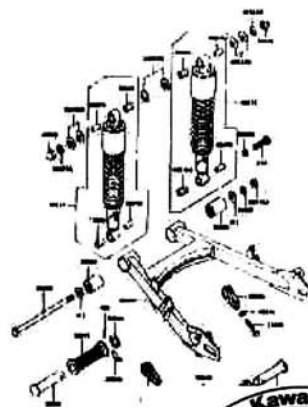
17 Frame Fitting

Page 21



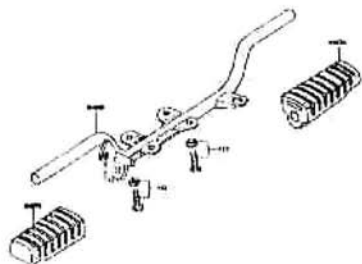
18 Swing Arm & Shock Absorber

Page 22

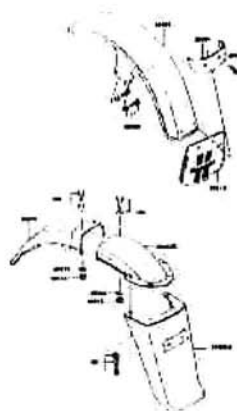




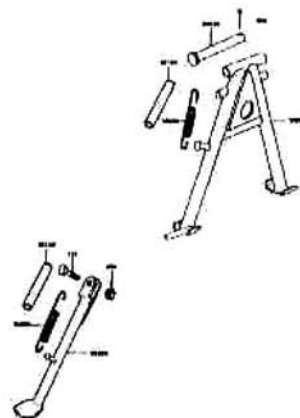
19 Foot Rest



20 Fender

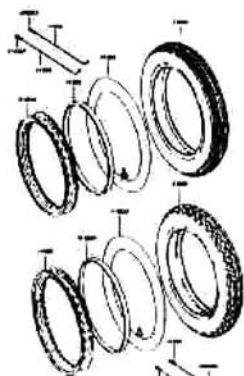


21 Stand



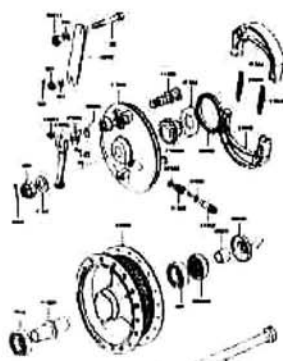
22 Tire

Page 26



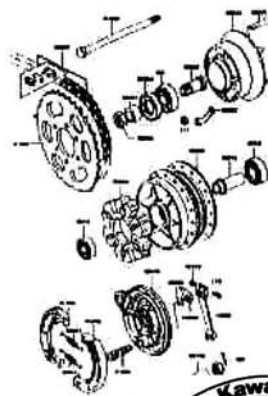
23 Front Hub

Page 27



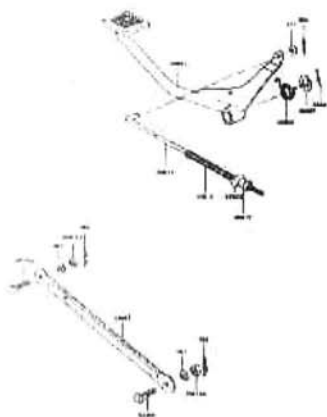
24 Rear Hub

Page 29



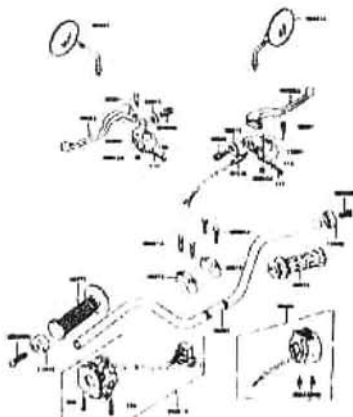
25 Brake Pedal

Page 31



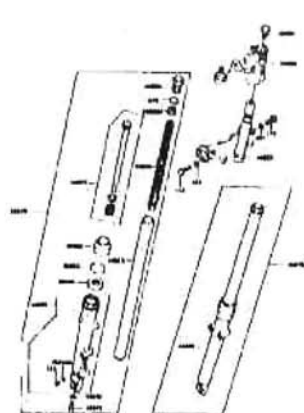
26 Handlebar

Page 32



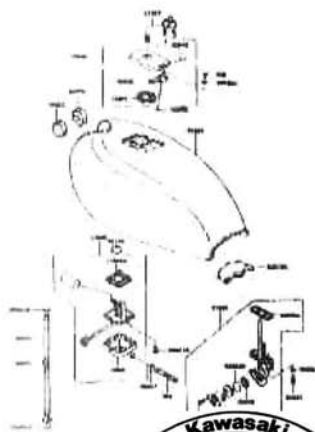
27 Front Fork

Page 34



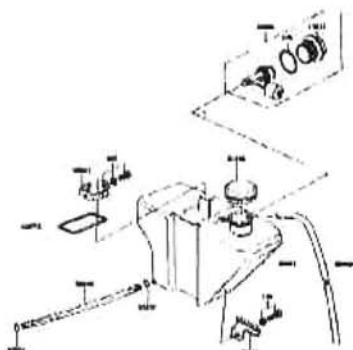
28 Foot Tank

Page 35



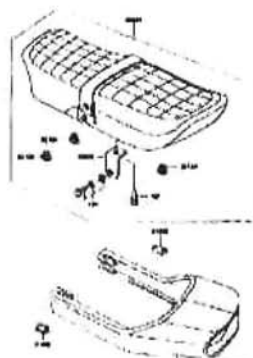
29 Oil Tank

Page 37



30 Seat

Page 38

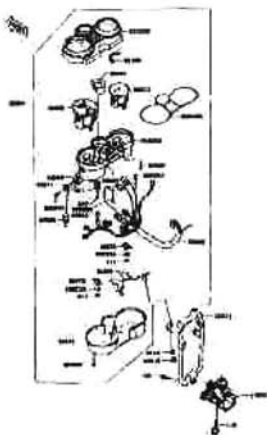






31 Meter

Page 39



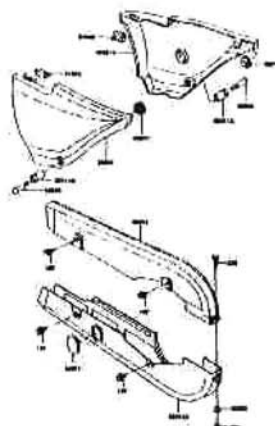
32 Cables

Page 41



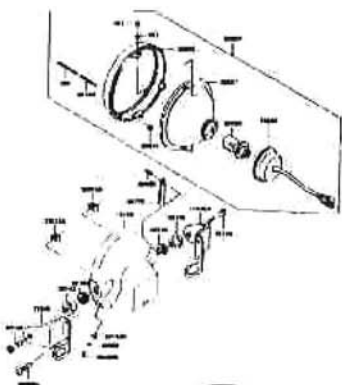
33 Side Cover

Page 42



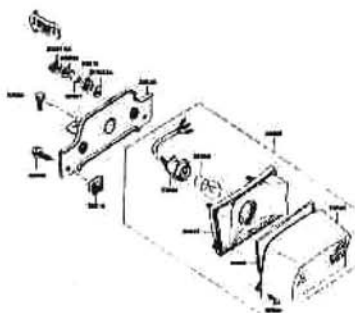
34 Head Lamp

Page 43



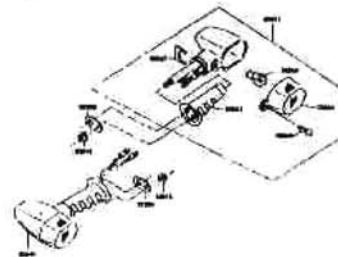
35 Tail Lamp

Page 44



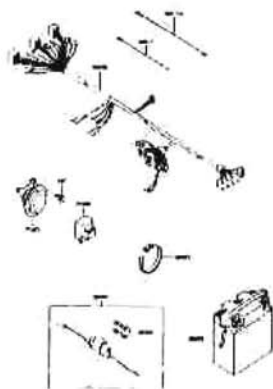
36 Turn Signal Lamp

Page 45

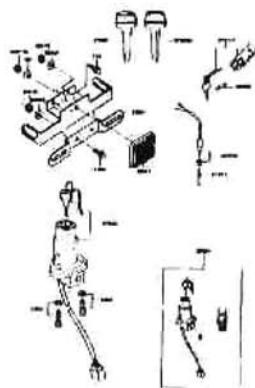




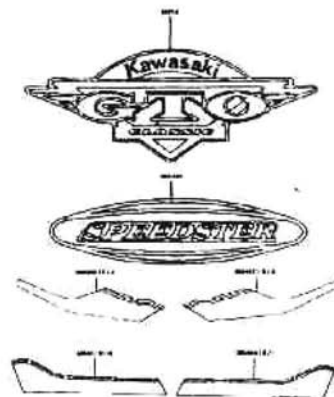
37 Electrical Ex



38 Ignition Switc

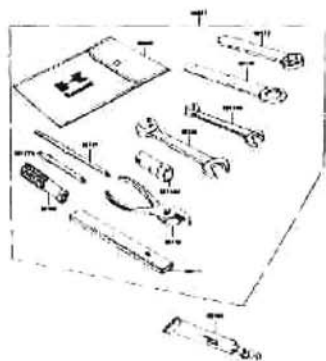


39 Label & Pattern



40 Tools

Page 49



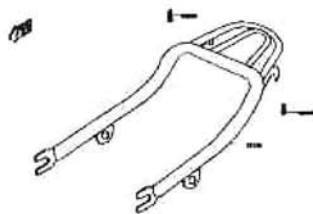
Page 50

Page 51



43 Carrier (A)

52

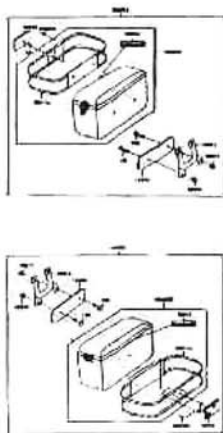


Page



44 Bags (Accessories)

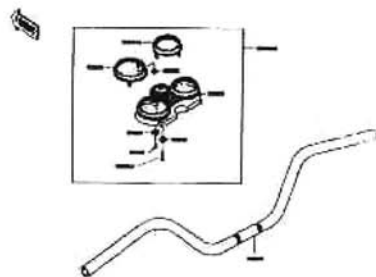
53



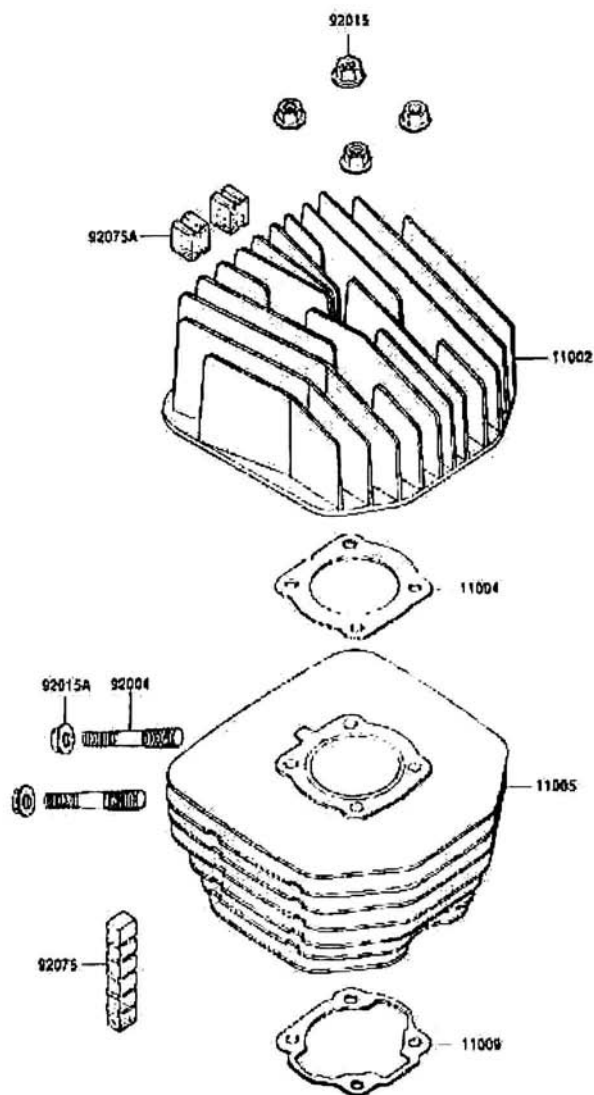
Page



45 Handle Bar & Hand Cover (necessary) Page 54

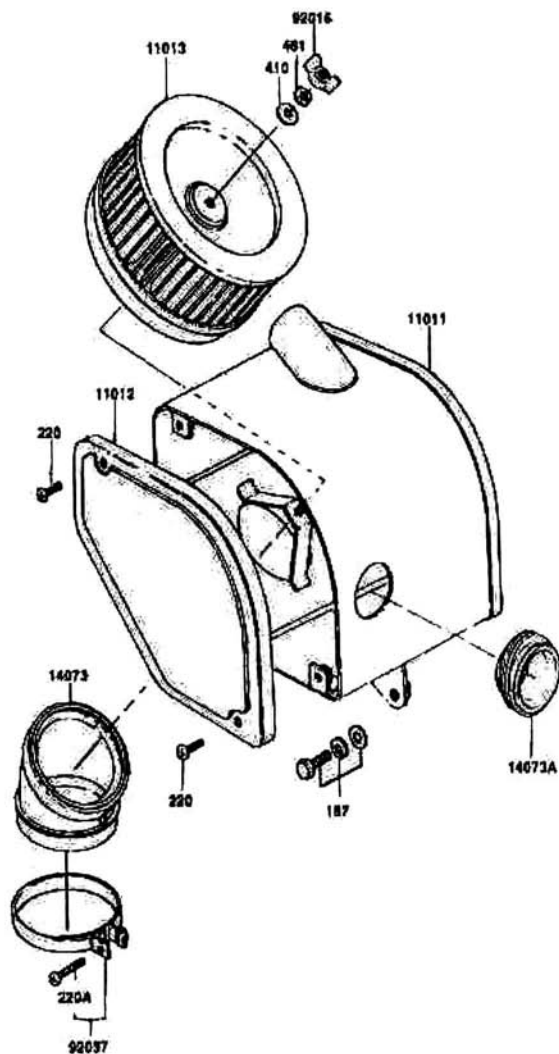


Page



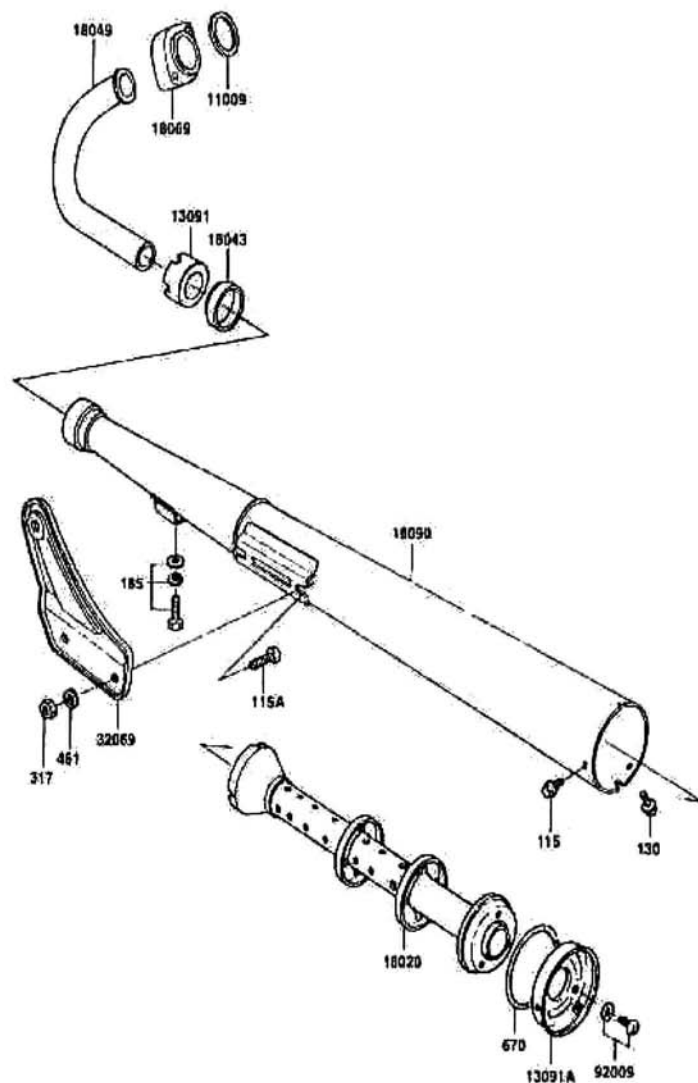
Ref.No.	Part No.	Description	Quantity
11002	11002-1109	Head-Cylinder	1
11004	11004-1041	Gasket -Head	1
11005	11005-1355	Cylinder-Engine	1
11009	11009-1294	Gasket,Cylinder-Base	1
92004	92004-1137	Stud	2
92015	92015-1022	Nut,8 MM.	4
92015A	92015-1193	Nut,6 MM.	2
92075	92075-1171	Damper,Cylinder	6
92075A	92075-1172	Damper,Cylinder Head	2

## 2. Air Filter

**98 GTO 125**


Ref.No.	Part No.	Description	Quantity
11011	11011-A006-BT	Case-Air Filter	1
11012	11012-A019-BT	Cap,Air Filter	1
11013	11013-A005	Element-Air Filter	1
14073	14073-1001	Duct,Air Filter,Outlet	1
14073A	14073-1033	Duct,Air Filter,Inlet	1
92016	92016-062	Nut,6 MM.	1
92037	92037-068	Clamp	1
187	187B0612	Belt,6X12 MM.	1
220	220B0512	Screw,5X12 MM.	2
220A	220C0635	Screw,6X35 MM.	1
410	410B0600	Washer-Plane,6 MM.	1
461	461K0500	Washer-Spring,5 MM.	2

### 3. Muffler

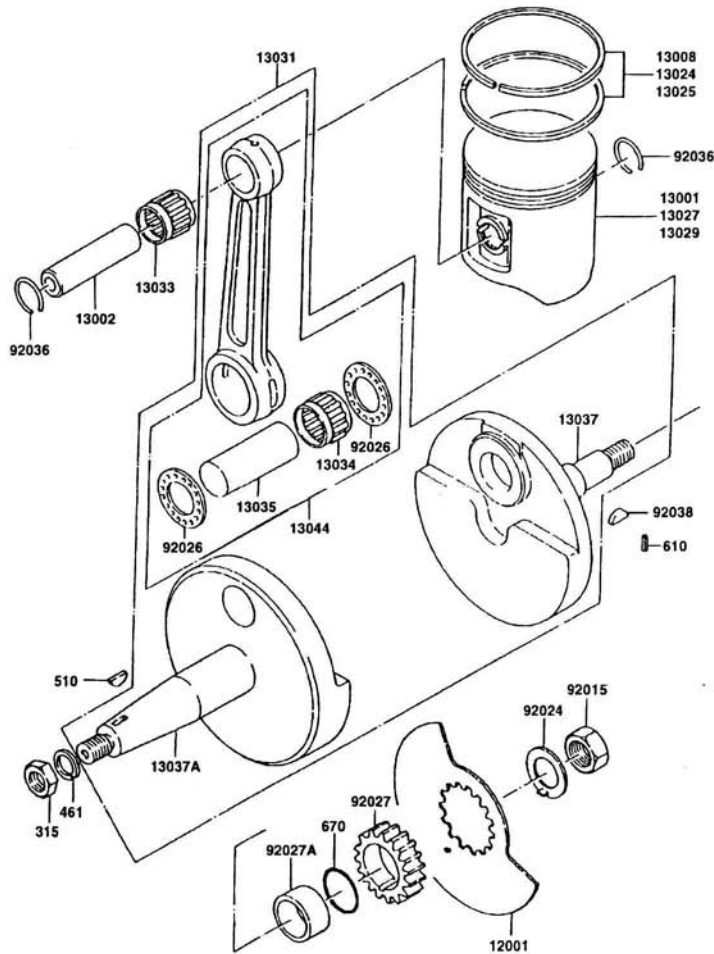
**98 GTO 125**


Ref.No.	Part No.	Description	Quantity
11009	11009-1992	Gasket-Muffler	1
13091	13091-1001	Holder,Exhaust-Connection	1
13091A	13091-1117	Holder,Baffle	1
18020	18020-1240	Baffle	1
18043	18043-012	Connector	1
18049	18049-1282	Pipe-Exhaust	1
18069	18069-1011	Holder-Exhaust-Pipe	1
18090	18090-1557	Body-Corp-Muffler	1
32069	32069-1001	Bracket-Muffler	1
92009	92009-1403	Screw	3
115	115G0808	Bolt,6X8 MM.	2
115A	115G0816	Bolt,8X16 MM.	2
185	185B0816	Bolt,8X16	1
317	317B0800	Nut,8 MM.	2
461	461F0800	Washer-Sprng,8 MM.	2
670	670B5075	O-Ring,5X75 MM.	1



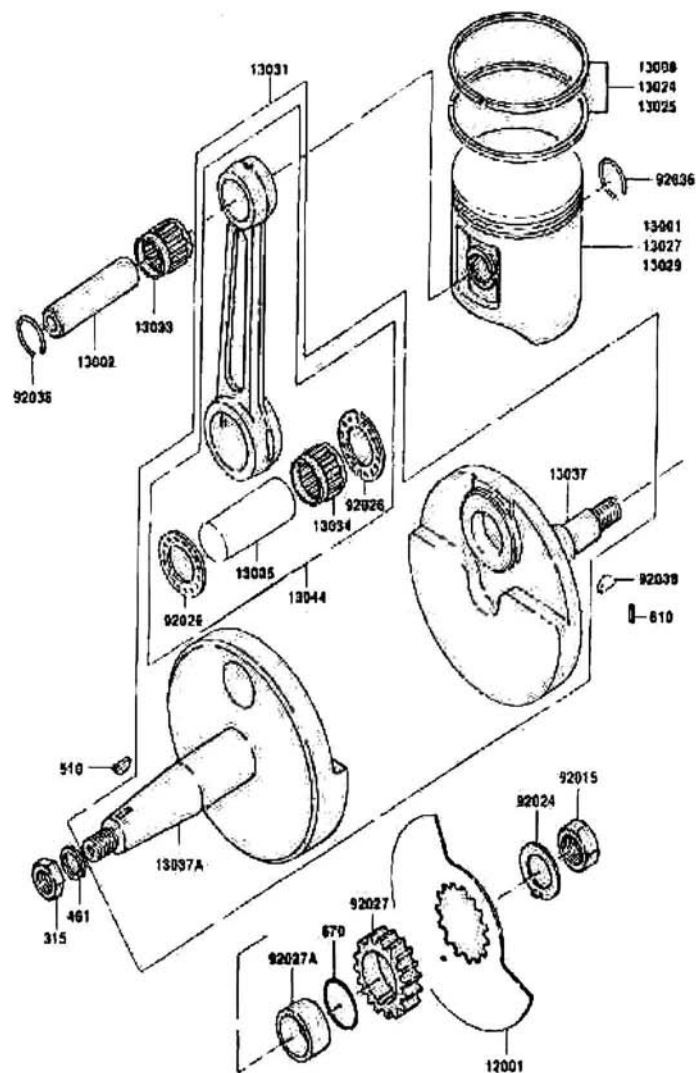
#### 4. Crankshaft & piston (1/2)

**98 GTO 125**

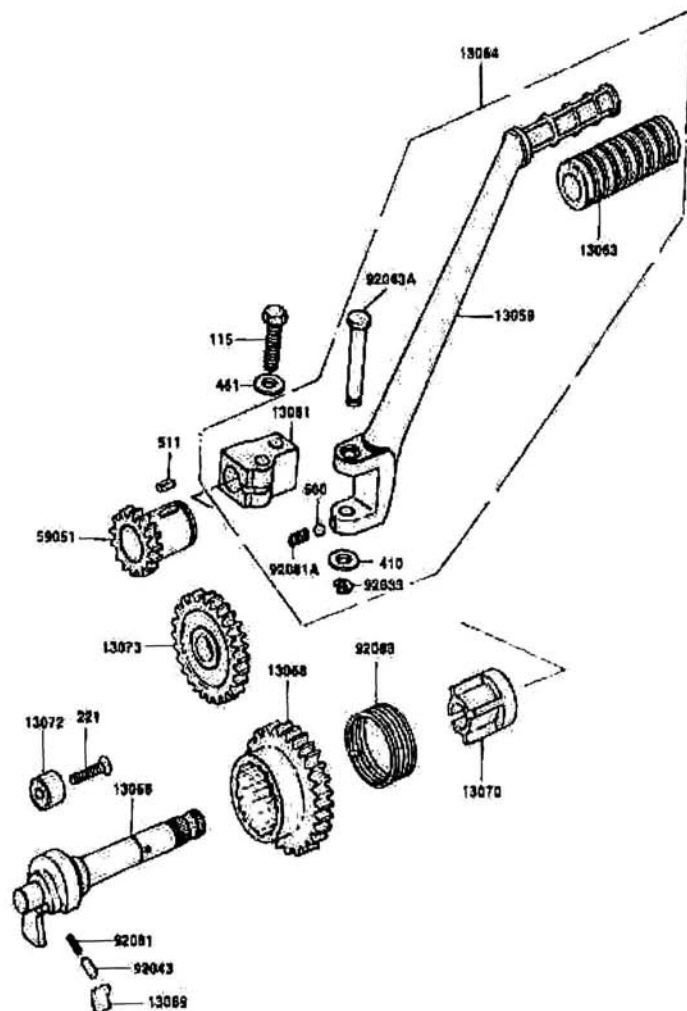


Ref.No.	Part No.	Description	Quantity
12001	12001-1002	Valve-Rotary	1
13001	13001-1379	Piston-Engine,STD	1
13002	13002-1051	Pin-Piston	1
13008	13008-5060	Ring-Set-Piston,STD	1
13024	13024-5025	Ring-Set-Piston,O/S1.00	1
13025	13025-5026	Ring-Set-Piston,O/S0.50	1
13027	13027-1034	Piston-Engine,O/S1.00	1
13029	13029-1035	Piston-Engine,O/S0.50	1
13031	13031-1337	CrankShaft-Comp	1
13033	13033-1008	Bearing-Small-End	1
13034	13034-1053	Bearing-Big-End	1
13035	13035-1075	Pin-Crank	1
13037	13037-1137	Crankshaft,RH	1
13037A	13037-1140	Crankshaft,LH	1
13044	13044-5081	Connecting Rod-Set	1
92015	92015-006	Nut,12 MM.	1
92024	92024-003	Washer-Crow,12 MM.	1
92026	92026-1136	Spacer	2
92027	92027-1245	Collar-Rotary	1
92027A	92027-285	Collar	1
92036	92036-005	Ring-Snap	2
92038	92038-003	Key-Woodruff,RH	1
315	315G1200	Nut,12 MM.	1
461	461F1200	Washer-Spring,12 MM.	1
510	510A3200	Key-Woodruff,LH	1

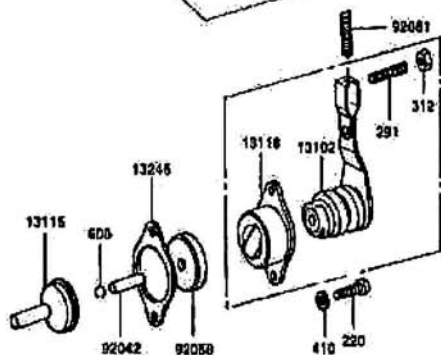
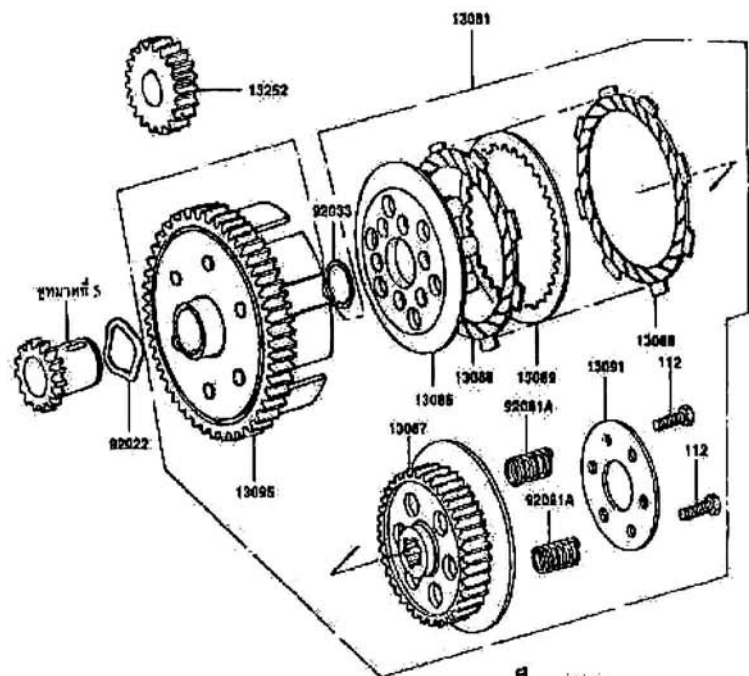
#### 4. Crankshaft & piston (2/2)

**98 GTO 125**


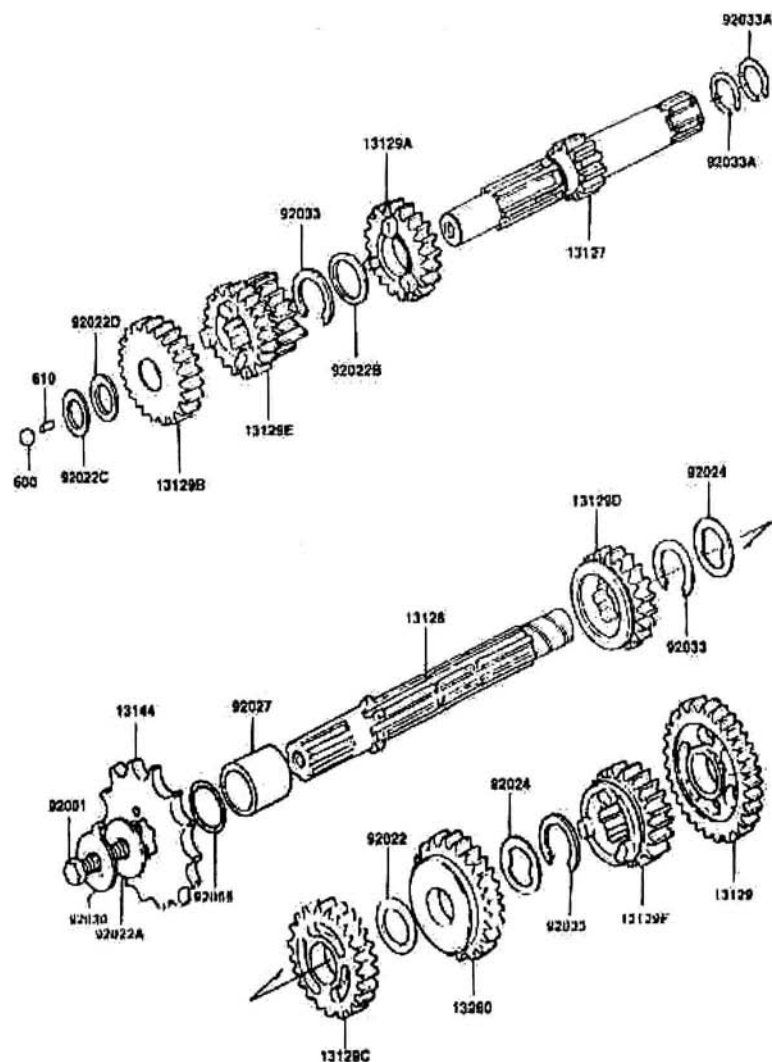
Ref.No.	Part No.	Description	Quantity
610	610A0410	Pin, 4x10 MM.	1
670	670B2016	⊙ Ring, 16 MM	1

**5. Kickstarter Mechanism**
**98 GTO 125**


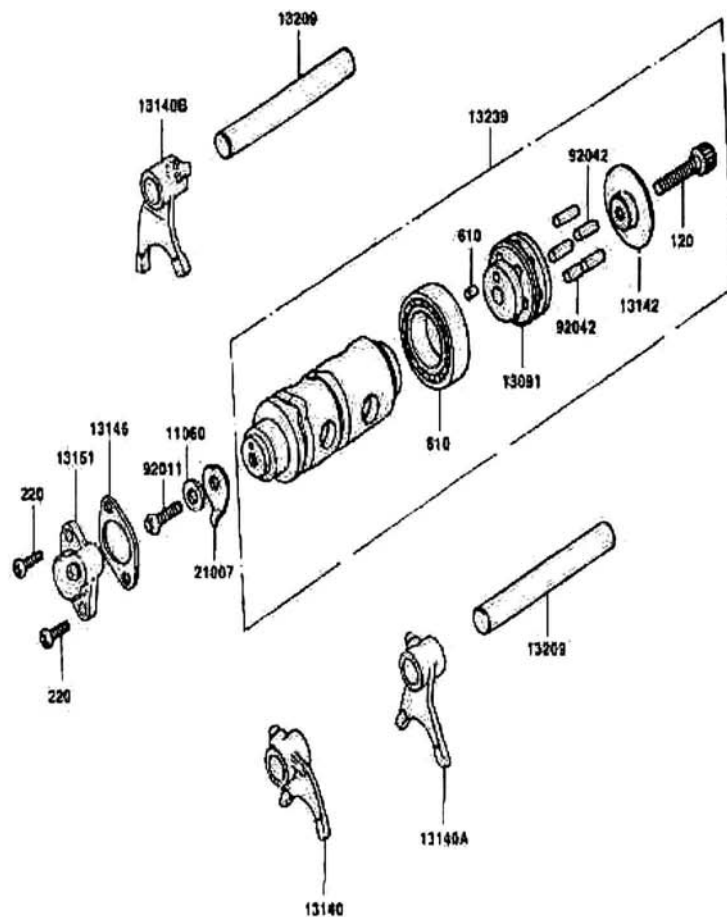
Ref.No.	Part No.	Description	Quantity
13059	13059-060	Lever-Kick	1
13061	13061-1027	Boss-Kick	1
13063	13063-002	Damper, Pedal	1
13064	13064-1113	Lever-Assy-Kick, Pedal	1
13066	13066-1024	Shaft-Kick	1
13068	13068-007	Gear-Spur, Kick	1
13069	13069-005	Pawl-Starter	1
13070	13070-1130	Guide-Kick Shaft	1
13072	13072-003	Stopper	1
13073	13073-004	Gear-Spur	1
59051	59051-1044	Gear-Spur	1
92033	92033-1169	Ring-Snap, 5 MM.	1
92043	92043-013	Pin-Pawl-Starter	1
92043A	92043-075	Pin	1
92081	92081-014	Spring-Pawl Starter	1
92081A	92081-020	Spring-Kick Pedal	1
92083	92083-004	Spring-Kick Starter	1
115	115G0830	Bolt, 8X30 MM.	1
221	221B0620	Screw, 8X20 MM.	1
410	410B0800	Washer, 8 MM.	1
461	461F0800	Washer-Spring, 8 MM.	1
511	511A0412	Key	1
600	600A0800	Ball-Steel, 1/14"	1


**6. Clutch**

Ref.No.	Part No.	Description	Quantity
13081	13081-1290	Clutch-Assy	1
13086	13086-1002	Wheel-Clutch	1
13087	13087-1020	Hub-Clutch	1
13088	13088-1010	Plate-Friction,Clutch	5
13089	13089-1009	Plate-Steel,Clutch	4
13091	13091-1115	Holder	1
13095	13095-1185	Housing-Comp-Clutch	1
13102	13102-1016	Release-Comp-Clutch	1
13116	13116-1135	Rod-Push	1
13118	13118-1001	Release-Clutch-Out	1
13231	13231-1008	Release-Assy-Clutch	1
13246	13246-001	Gasket	1
13252	13252-1053-B8	Gear-Primary	1
92022	92022-1213	Washer	1
92033	92033-1065	Ring-Snap	1
92042	92042-043	Pin	1
92050	92050-071	Seal-Oil	1
92081	92081-096	Spring,Release Cable	1
92081A	92081-1175	Spring-Clutch	8
112	11200520	Bolt,6X20 MM.	6
220	220B0616	Screw,6X16 MM.	2
291	291H0616	Screw,6X16 MM.	1
312	312B0600	Nut,6 MM.	1
410	410B0600	Washer,6 MM.	2
600	600A0900	Ball-Steel,9/32"	1



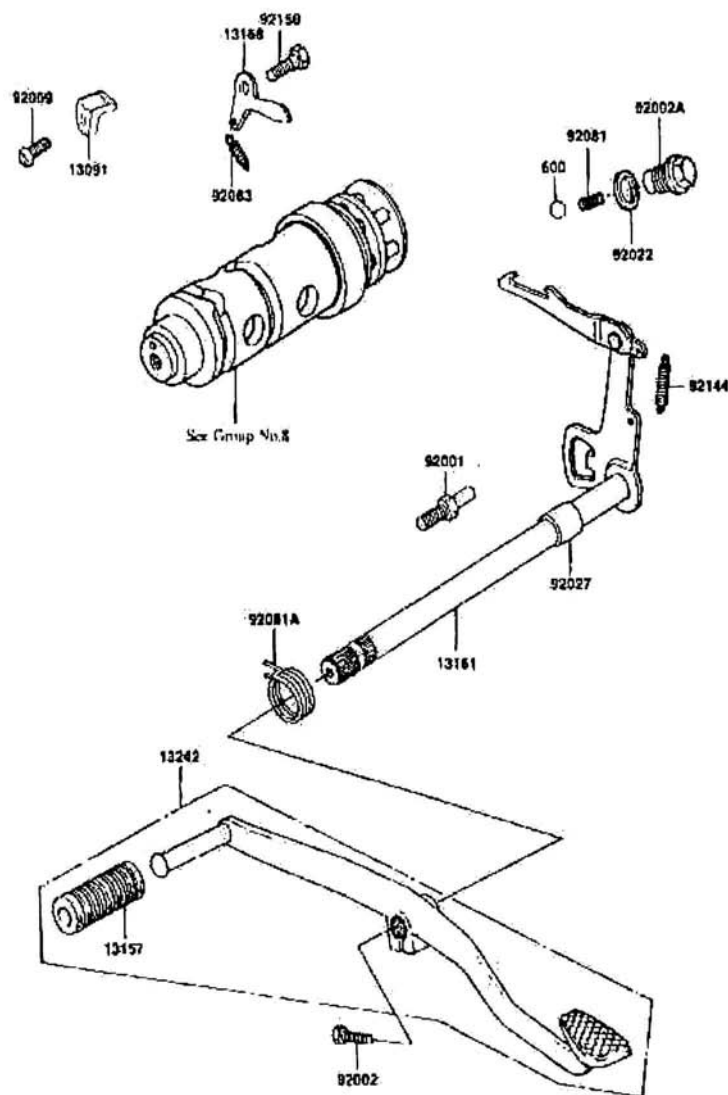
Ref.No.	Part No.	Description	Quantity
13127	13127-1054	Shaft-Transmission-Drive	1
13128	13128-1180	Shaft-Transmission-Output	1
13129	13129-010	Gear-Output-Low,35T	1
13129A	13129-1139	Gear-Drive-4TH,22T	1
13129B	13129-1146	Gear-Drive-Top,28T	1
13129C	13129-1148	Gear-Output-3RD,26T	1
13129D	13129-1149	Gear-Output-Top,26T	1
13129E	13129-1289	Gear-Drive-2&3,15&20T	1
13129F	13129-1708	Gear-Output-4TH,24T	1
13144	13144-066	Sprocket-Output,14T	1
13260	13260-1390	Gear-Output-2ND,26T	1
92001	92001-1368	Bolt,8X16 MM.	1
92022	92022-146	Washer	1
92022A	92022-266	Washer	1
92022B	92022-271	Washer	1
92022C	92022-272	Washer	1
92022D	92022-273	Washer	1
92024	92024-030	Crow-Washer	2
92027	92027-1595	Collar	1
92030	92030-012	Washer	1
92033	92033-014	Ring-Snap	3
92033A	92033-1060	Ring-Snap,1.7 MM.	2
92055	92055-022	O-Ring	1
600	600A0900	Ball-Steel,9/32"	1
610	610A0406	Pin,4X6 MM	1



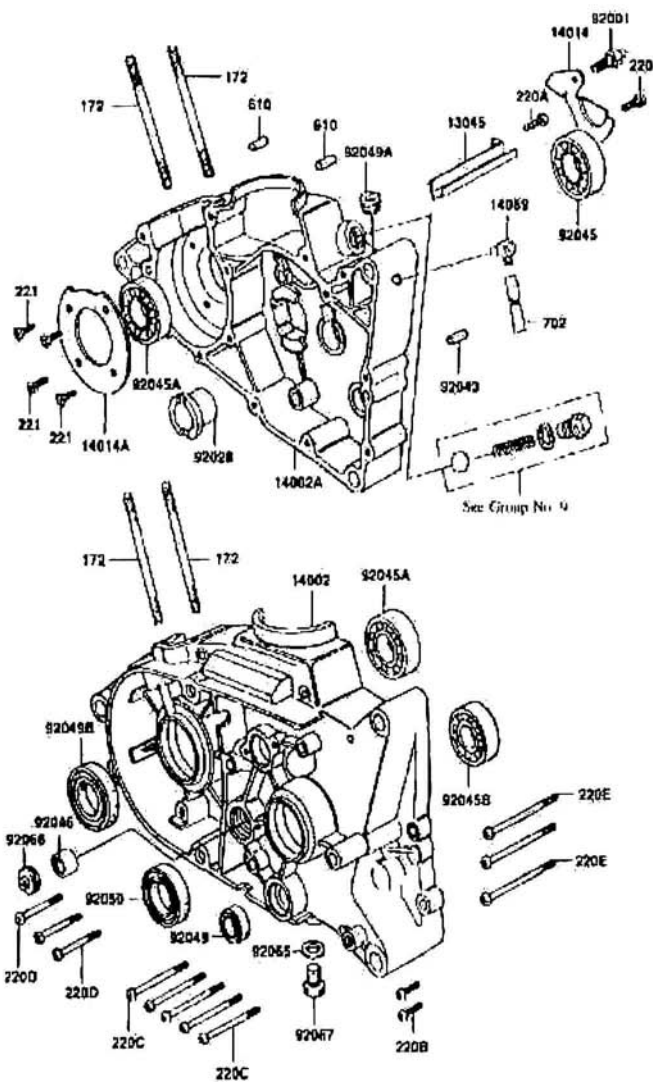
Ref.No.	Part No.	Description	Quantity
13091	13091-1077	Holder-Shift Pin	1
13140	13140-1026	Fork-Shift,1&2	1
13140A	13140-1027	Fork-Shift,3	1
13140B	13140-1028	Fork-Shift,4&5	1
13142	13142-014	Holder	1
13146	13146-002	Gasket,Neutral Switch	1
13151	13151-1001	Switch-Comp	1
13209	13209-014	Rod-Shift	2
13239	13239-1034	Change-Drum-Assy	1
21007	21007-1003	Rotor	1
92011	92011-003	Screw	1
92042	92042-042	Pin	5
120	120Q0630	Bolt,6X30 MM.	1
220	220B0616	Screw,6X16 MM.	2
410	410B0600	Washer-Plane,6 MM.	1
601	601B6004	Bearing-Ball,#6004	1
610	610A0406	Pin,4X6 MM.	1



## 9. Gear Change Mechanism

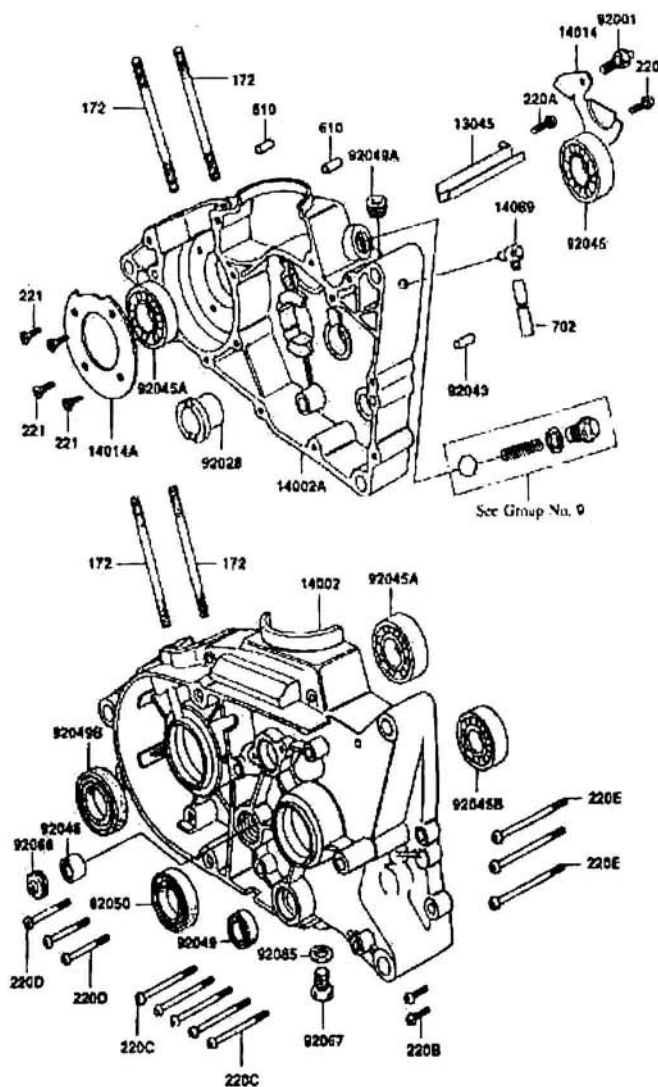
**98 GTO 125**


Ref.No.	Part No.	Description	Quantity
13091	13091-1350	Holder	1
13157	13157-004	Damper	1
13161	13161-1197	Lever-Comp,Change-Shaft	1
13158	13158-1046	Lever,Drum Position	1
13242	13242-1018	Lever-Change,Pedal	1
92001	92001-1455	Bolt	1
92002	92002-1237	Bolt	1
92002A	92002-1251	Bolt	1
92009	92009-1266	Screw	1
92022	92022-324	Washer	1
92027	92027-121	Collar	1
92081	92081-112	Spring,Gear Position Lock	1
92081A	92081-1129	Spring,Change Shaft Return	1
92083	92083-012	Spring,Change Lever	1
92144	92144-1720	Spring,Change Lever	1
92150	92150-1450	Bolt	1
600	600A1300	Ball-Steel,13/32"	1

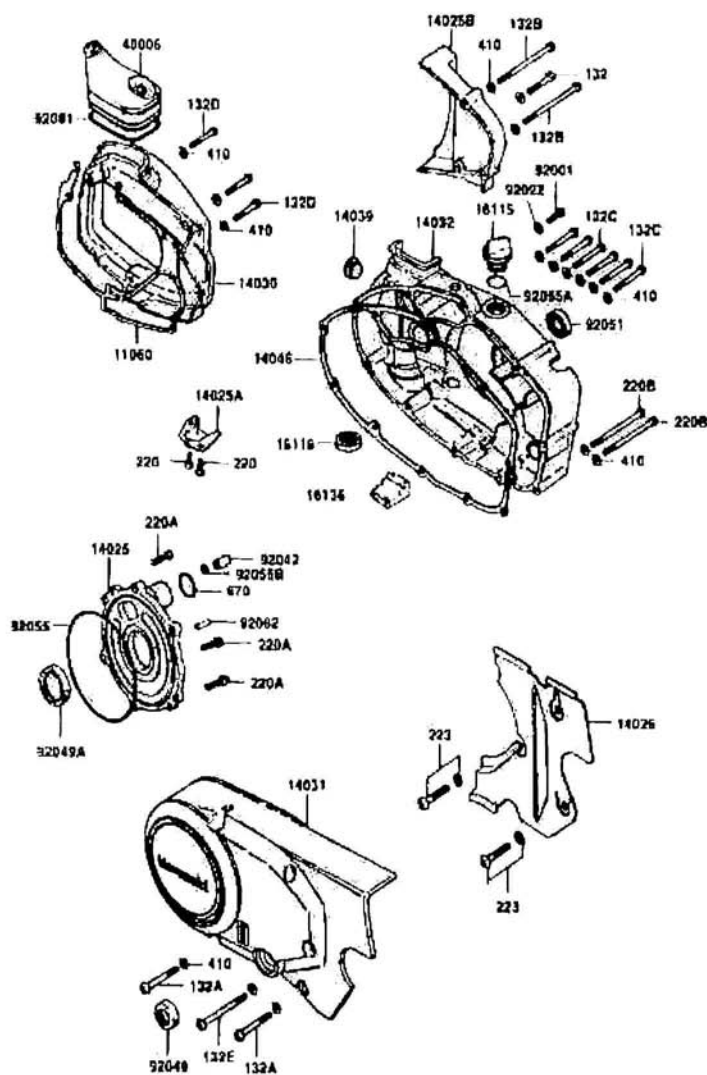


Ref.No.	Part No.	Description	Quantity
13045	13045-1003	Receiver-Oil	1
14002	14002-A001	Crankcase,L.H	1
14002A	14002-A002	Crankcase,R.H	1
14014	14014-008	Plate-Position	1
14014A	14014-017	Plate-position	1
14069	14069-003	Breather	1
92001	92001-1476	Bolt	1
92028	92028-069	Bushing	1
92043	92043-1322	Pin,8X16 MM.	3
92045	92045-1039	Bearing-Ball	2
92045A	92045-1278	Bearing-Ball	2
92045B	92045-1118	Bearing-Ball	1
92045	92045-037	Bearing-Needle	1
92049	92049-004	Seal-Oil,Change Shaft	1
92049A	92049-1001	Seal-Oil,Tacho. Gear	1
92049B	92049-1240	Seal-Oil,Crank Shaft	1
92050	92050-013	Seal-Oil,Output Shaft	1
92065	92065-068	Gasket,Drain Plug	1
92066	92066-1117	Plug	1
92067	92067-001	Plug-Oil Drain	1
172	172G08120	Bolt-Stud,8X120 MM.	4
220	220B0612	Screw,6X12 MM.	2
220A	220B0620	Screw,6X20 MM.	1
220B	220B0675	Screw,6X25 MM.	2
220C	220B0640	Screw,6X40 MM.	5

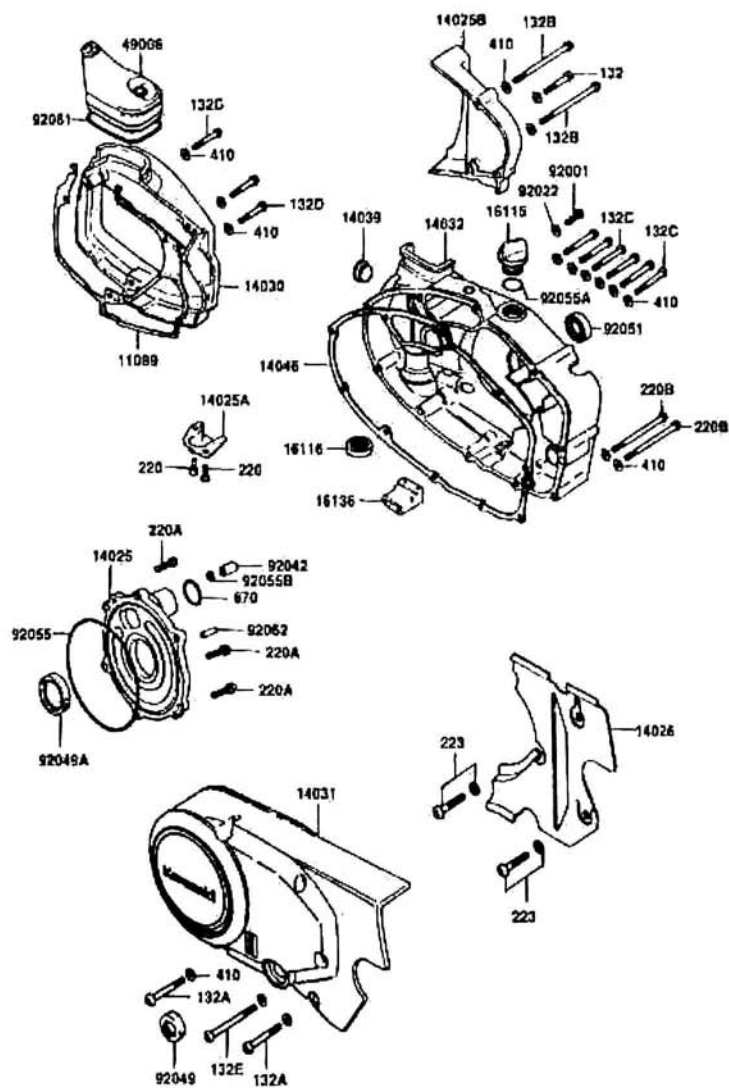
## 10. Crankcase (2/2)

**98 GTO 125**


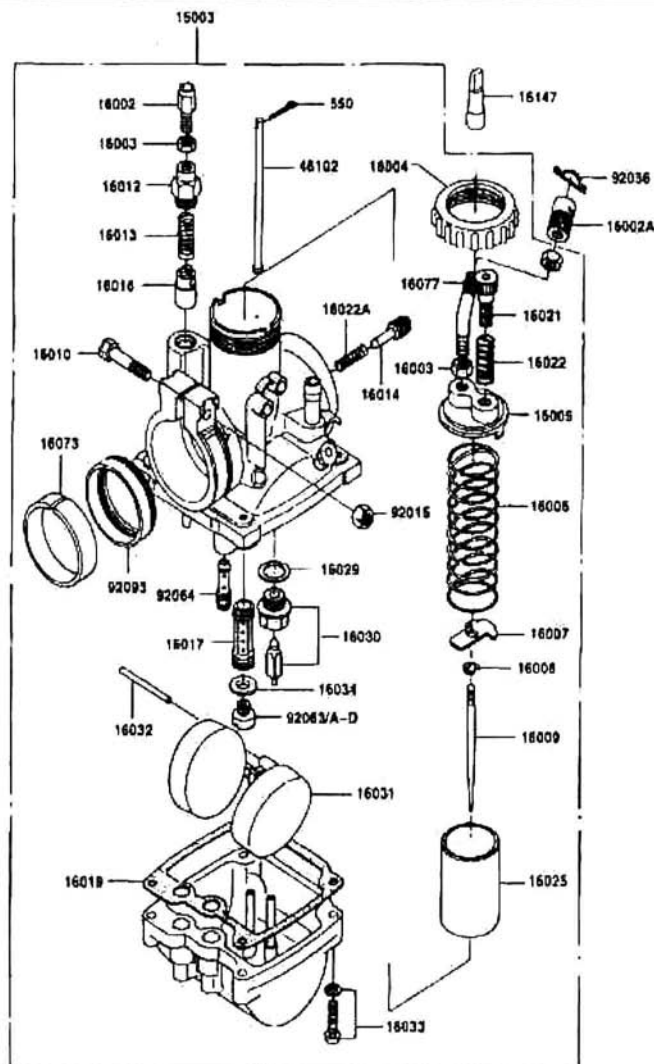
Ref.No.	Part No.	Description	Quantity
220D	220B0660	Screw,6X60 MM.	3
220E	220B0665	Screw,6X65 MM.	3
221	221B0816	Screw,6X16 MM.	4
610	610A0512	Pin,5X12 MM.	2
702	702A08150	Tube,6X150 MM.	1



Ref.No.	Part No.	Description	Quantity
11060	11060-1159	Gasket,Carburetor Cover	1
14025	14025-1131	Cover-Rotary Valve	1
14025A	14025-1137	Cover-Filler-Drain	1
14025B	14025-A056	Cover-Oil-Pump	1
14026	14026-1023	Cover-Chain	1
14030	14030-A002-B1	Cover-Carburetor	1
14031	14031-A008	Cover-Generator	1
14032	14032-A009	Cover-Clutch	1
14033	14033-001	Cap	1
14046	14046-006	Gasket-Cover Clutch	1
16115	16115-1053	Cap-Oil Filter	1
16116	16116-1006	Drain	1
16136	16136-007	Grommet	1
49006	49006-1032	Boot,Carburetor	1
92001	92001-121	Nut,6X12 MM	1
92022	92022-077	Washer	1
92042	92042-017	Pin	1
92049	92049-1249	Seal-Oil,Change Shaft	1
92049A	92049-1250	Seal-Oil,Rotary Cover	1
92051	92051-003	Seal-Oil,Kick Shaft	1
92055	92055-010	O-Ring	1
92055A	92055-012	O-Ring	1
92055B	92055-029	O-Ring	1
92062	92062-017	Pin	1
92081	92081-047	Spring	1

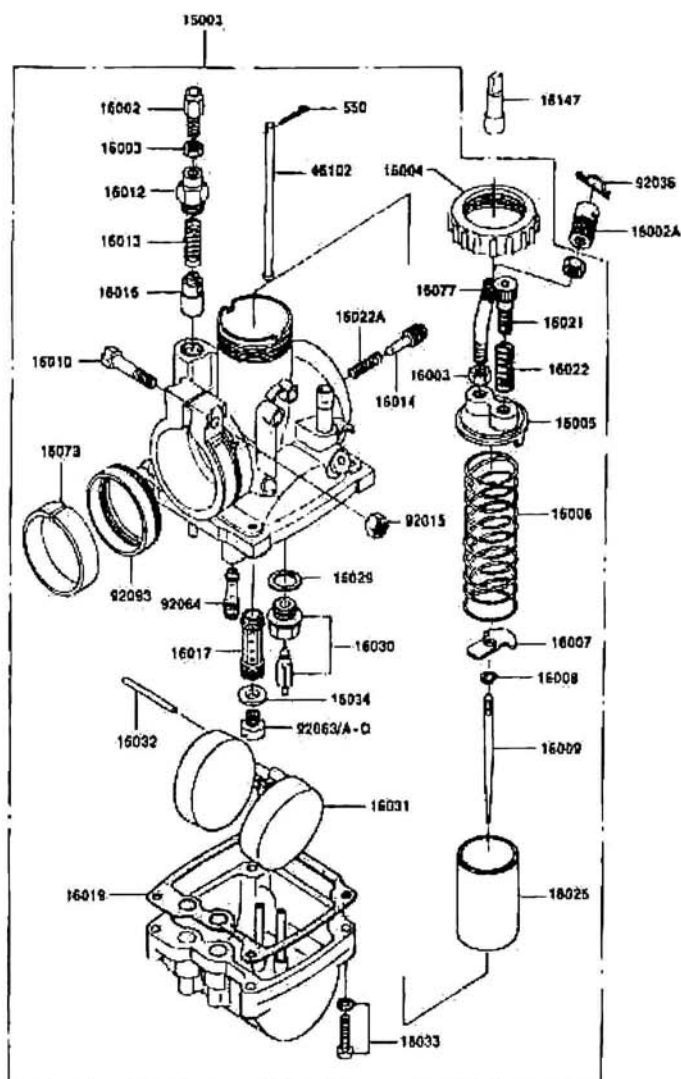


Ref.No.	Part No.	Description	Quantity
132	132G0620	Bolt,6X20 MM.	7
132A	132G0840	Bolt,6X40 MM.	4
132B	132G0675	Bolt,6X75 MM.	2
132C	132V0630	Bolt,6X30 MM.	6
132D	132V0635	Bolt,6X35 MM.	3
132E	132V0650	Bolt,6X50 MM.	1
220	220B0612	Screw,6X12 MM.	2
220A	220B0620	Screw,6X20 MM.	6
220B	220B0645	Screw,6X45 MM.	2
223	223B0612	Screw,6X12 MM.	2
410	410B0600	Washer,6 MM.	17
670	670B3026	O-Ring,26 MM	1



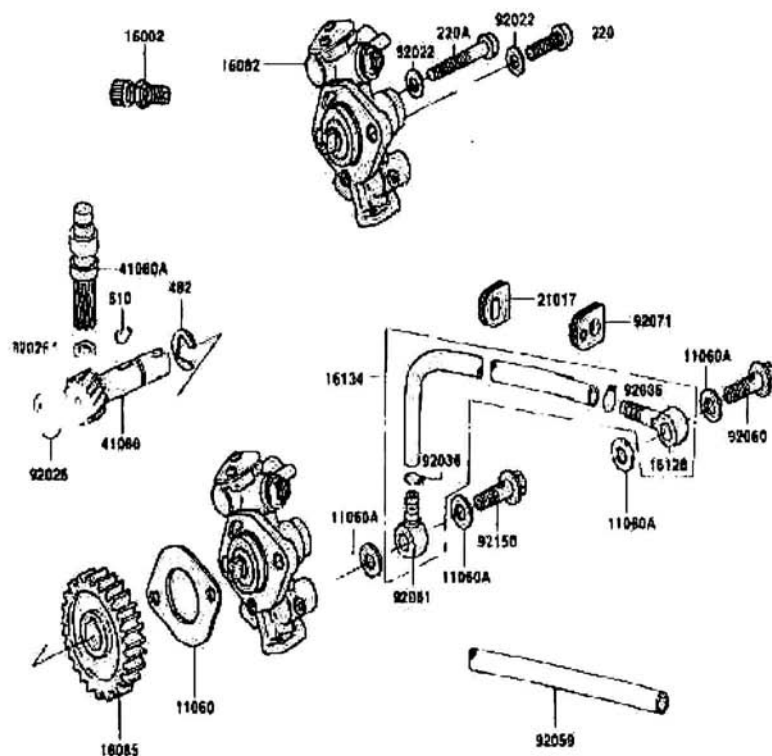
Ref.No.	Part No.	Description	Quantity
15003	15003-1287	Carburetor-Assy	1
16002	16002-002	Adjuster-Cable	1
16002A	16002-007	Adjuster-Cable	1
16003	16003-004	Nut,Cable Adjust Lock	3
16004	16004-010	Cap-Chamber	1
16005	16005-1005	Cap	1
16006	16006-013	Spring,Throttle Valve	1
16007	16007-020	Seat-Spring	1
16008	16008-010	Circlip	1
16009	16009-1040	Needle-Jet	1
16010	16010-004	Screw	1
16012	16012-004	Cap-Starter Plunger	1
16013	16013-003	Spring-Starter Plunger	1
16014	16014-002	Screw-Pilot Air	1
16016	16016-002	Plunger-Starter	1
16017	16017-1220	Jet-Needle	1
16019	16019-021	Gasket,Float Chamber	1
16021	16021-002	Screw-Throttle Stop	1
16022	16022-005	Spring-Stop Screw	1
16022A	16022-007	Spring-Stop Screw	1
16025	16025-057	Valve-Throttle	1
16029	16029-004	Gasket	1
16030	16030-1001	Valve-Float	1
16031	16031-015	Float	1
16032	92043-1148	Pin-Float	1





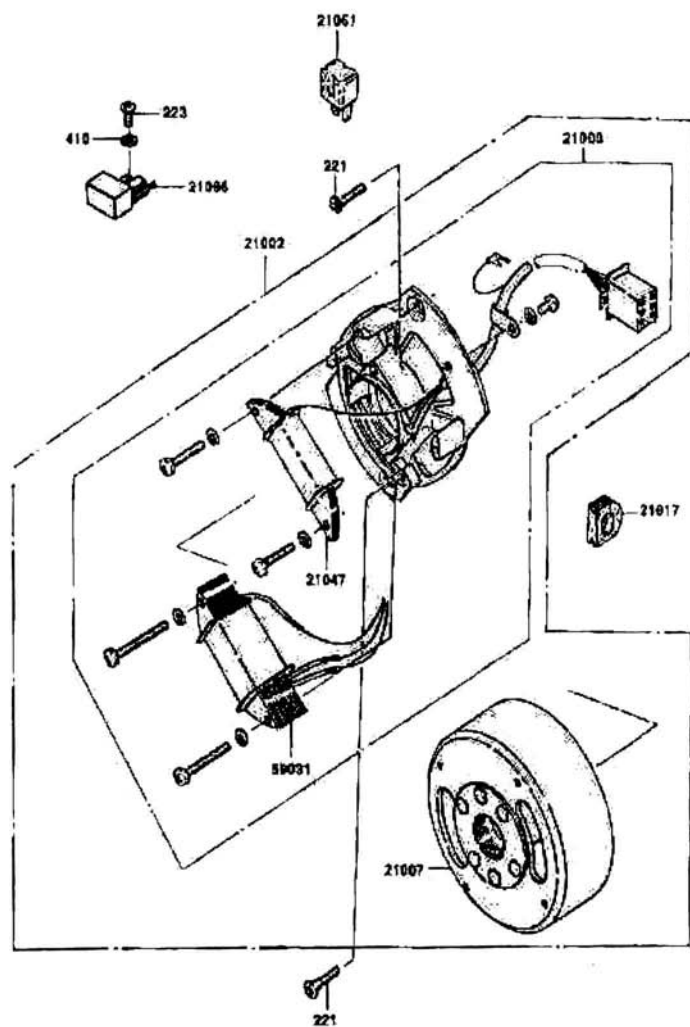
Ref.No.	Part No.	Description	Quantity
16033	16033-012	Screw-Float Chamber	4
16034	16034-001	Washer	1
16073	16073-1008	Insulator-Carburetor	1
16077	16077-001	Guide-Cable	1
16147	16147-001	Plug-Carburetor	1
46102	46102-1009	Flnd-Throttle-Valve	1
92015	92015-1026	Nut, 6 MM.	1
92036	92036-018	Circlip	1
92063	92063-068	Jet-Main,#92.5H	1
92063A	92063-094	Jet-Main,#87.5R	1
92063B	92063-1029	Jet-Main,#90R STD	1
92063C	92063-1121	Jet-Main,#A95R	1
92063D	92063-1030	Jet-Main,#A97.5R	1
92064	92064-1043	Jet-Pilot,#20	1
92093	92093-1056	Seal	1
550	550D1210	Pin-Cotter,12X10 MM	1

### 13. Oil Pump

**98 GTO 125**


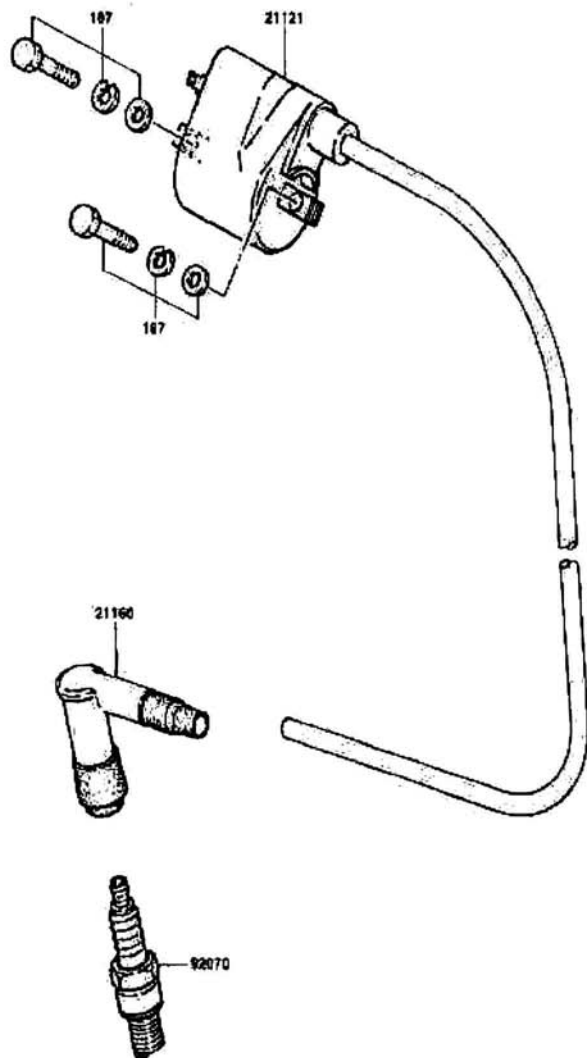
Ref.No.	Part No.	Description	Quantity
11060	11060-1160	Gasket-Oil Pump	1
11060A	11060-1634	Washer-Gasket	4
16002	16002-012	Adjuster-Cable	1
16082	16082-1123	Oil-Pump-Assy	1
16085	16085-004	Gear-Oil Pump	1
16128	16128-009	Valve-Check	1
16134	16134-021	Tube-Oil	1
21017	21017-002	Grommet	1
41060	41060-1001	Gear-Tachometer	1
41060A	41060-1011	Gear-Pinion,Tachometer	1
92022	92022-037	Washer,5.5X10.5X0.8 MM.	2
92026	92026-1002	Washer,10X18X0.5 MM.	1
92026A	92026-1016	Spacer	1
92036	92036-022	CirClip	2
92059	92059-1866	Tube	1
92060	92060-008	Bolt	1
92061	92061-018	Connector-Banjo	1
92071	92071-067	Damper	1
220	220B0514	Screw,5X14 MM.	1
220A	220B0528	Screw,5X28 MM.	1
482	482K9000	CirClip-Type-E,9 MM	1
510	510A3100	Key	1

## 14. Generator

**98 GTO 125**


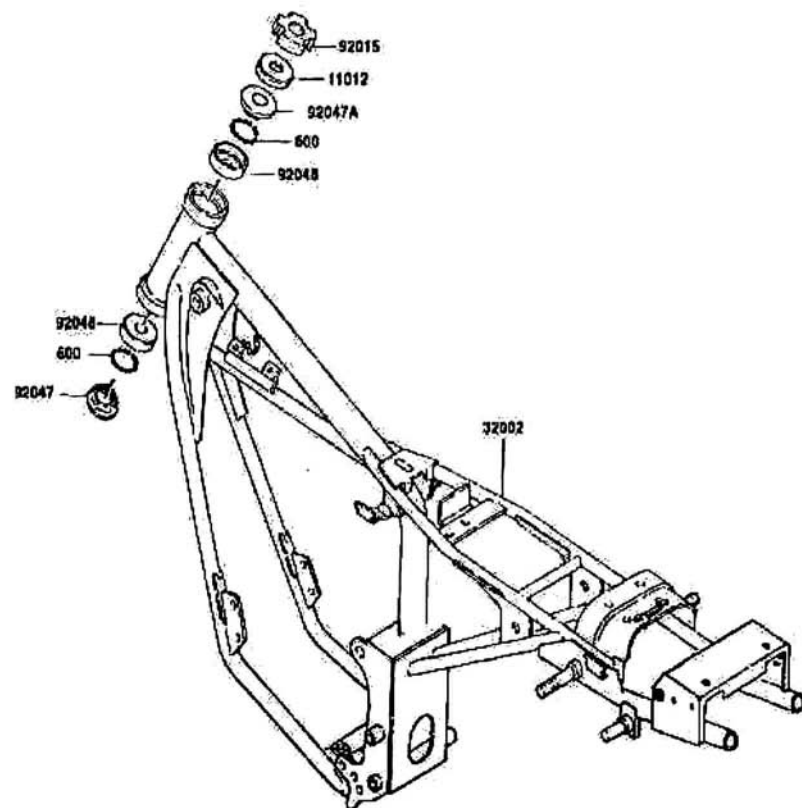
Ref.No.	Part No.	Description	Quantity
21002	21002-1262	Magneto-Assy	1
21003	21003-1298	Stator	1
21007	21007-1236	Flywheel	1
21017	21017-002	Grommet	1
21047	21047-1058	Coil-Lighting	1
21061	21061-1003	Rectifier	1
21066	21066-1071	Regulator-Voltage	1
59031	59031-1009	Coil-Exciting	1
221	221B0614	Screw,6X14 MM.	2
223	223B0512	Screw,5X12 MM.	1
410	410B0600	Washer,6 MM.	1

## 15. Ignition Coil

**98 GTO 125**


Ref.No.	Part No.	Description	Quantity
21121	21121-1251	Ignition-Coil	1
21160	21160-CX1	Cap-Spark Plug	1
92070	92070-053	Spark Plug,B8ES(NGK)	1
187	187B0622	Bolt,6X22 MM.	2

## 16. Frame

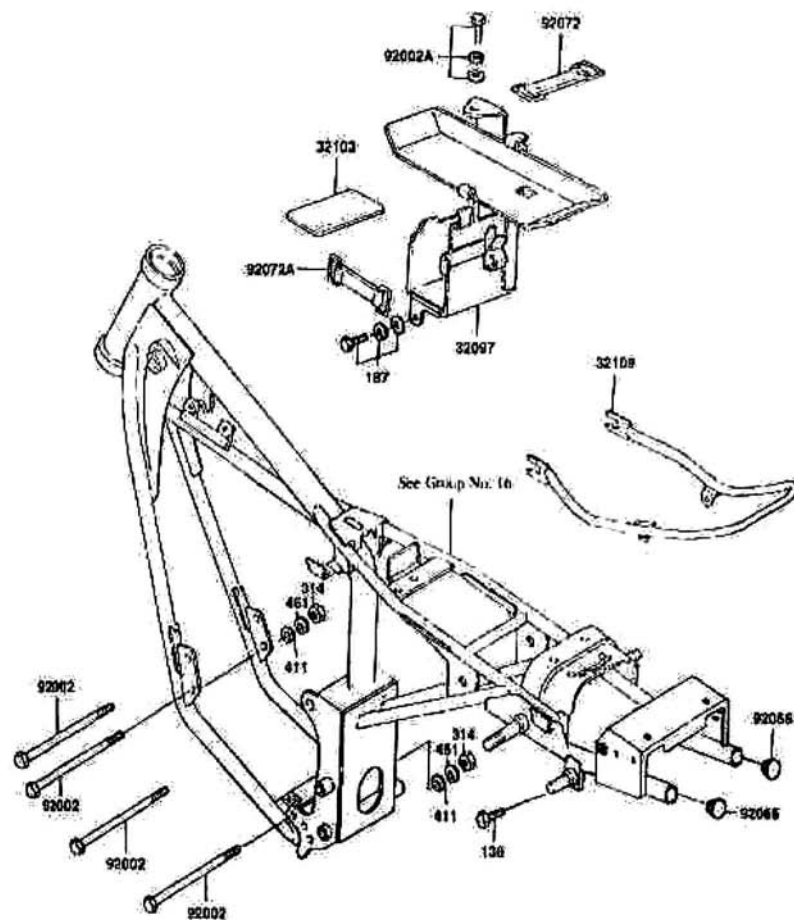
**98 GTO 125**


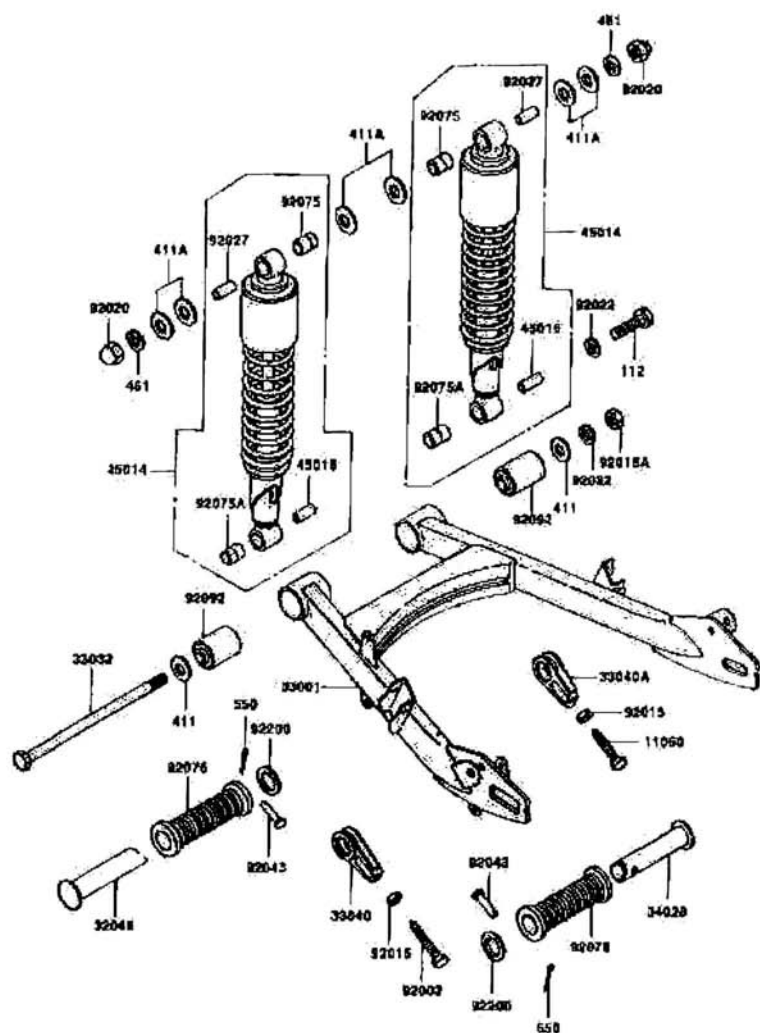
Ref.No.	Part No.	Description	Quantity
11012	11012-1740	Cap-Steering Stem	1
32002	32002-A007-AM	Frame-Comp	1
92015	92015-1382	Nut,Steering Stem Lock	1
92047	92047-013	Race,Steering Stem Bearing	1
92047A	92047-014	Race,Steering Stem Bearing	1
92048	92048-009	Race,Steering Stem Bearing	2
600	600A0600	Ball-Small,3/16"	46

## 17. Frame Fitting

**98 GTO 125**

Ref.No.	Part No.	Description	Quantity
32097	32097-A002-AM	Case-Battery	1
32103	32103-A001	Damper-Battery	1
32109	32109-A009	Grip-Frame	1
92002	92002-1072	Bolt	4
92066	92066-A014	Plug	2
92072	92072-Q30	Band-Tool	1
92072A	92072-Q45	Band-Battery	1
130	130B0818	Bolt,8X18 MM.	2
187	187B0814	Bolt,6X14 MM.	2
314	314B1000	Nut,8 MM.	4
411	411B1000	Washer-Plane,10 MM.	4
461	461F1000	Washer-Spring,10 MM.	4

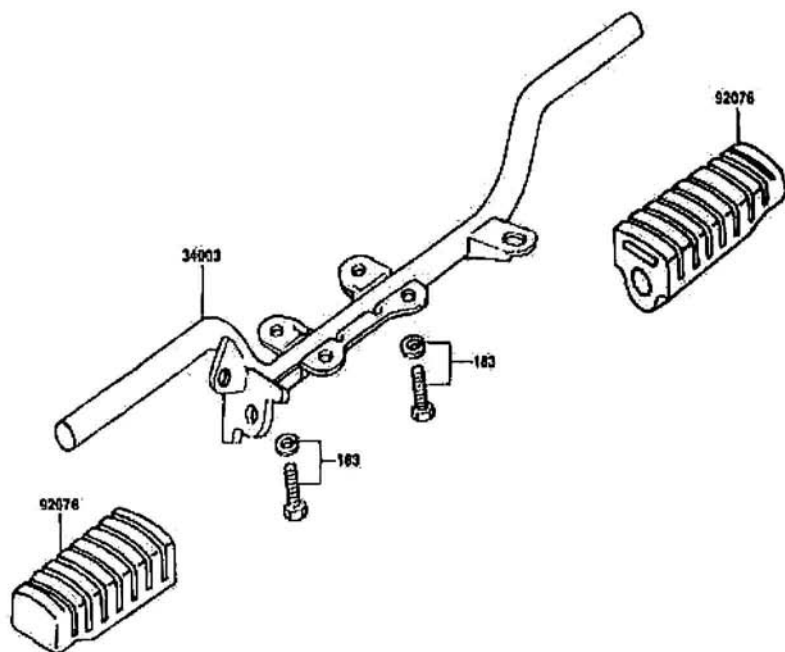




Ref.No.	Part No.	Description	Quantity
33001	33001 A008	Arm-Comp-Swing	1
33032	33032-039	Shall-Swing Arm	1
33040	33040-1025	Adjuster-Chain,LH	1
33040A	33040-1054	Adjuster-Chain,RH	1
34028	34028-1023	Step-Rear	2
45014	45014-1520	Shock-Absorber	2
45018	45018-003	Collar-Shock Absorber	2
92002	92002-1076	Bolt	2
92015	92015-1364	Nut,8 MM	2
92015A	92015-1416	Nut,10 MM.	1
92020	92020-014	Nut,Cap,12 MM	2
92022	92022-1540	Washer-Spring,10 MM.	3
92027	92027-1031	Collar-Shock Absorber	2
92043	92043-080	Pin	2
92075	92075-1019	Damper-Shock Absorber	2
92075A	92075-1020	Damper-Shock Absorber	2
92078	92078-020	Step-Rubber-Rear	2
92092	92092-006	Bushing-Rubber,Swing Arm	2
92200	92200-1120	Washer-Step Fitting	2
112	112N1035	Bolt,10X35 MM.	2
411	411B1000	Washer-Plain,10 MM.	2
411A	411B1200	Washer-Plain,12 MM.	6
481	481F1200	Washer-Spring,12 MM.	2
550	550D2518	Pin-Cotter,25X18 MM.	2

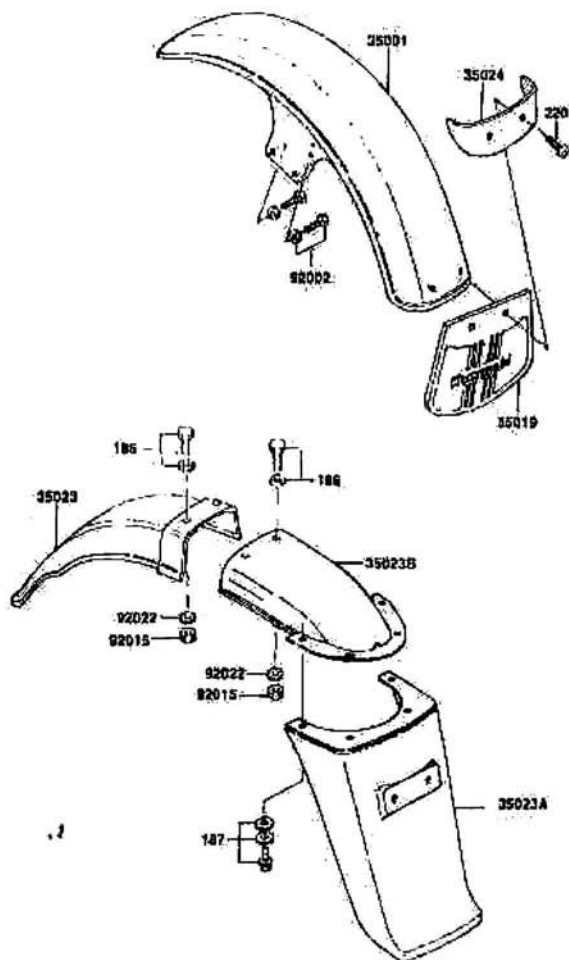
**19. Foot Rest**
**98 GTO 125**

Ref.No.	Part No.	Description	Quantity
34003	34003-A007-AM	Holder-Step	1
92076	92076-A004	Damper-Step	2
183	153B081B	Bolt,BX18 MM	4

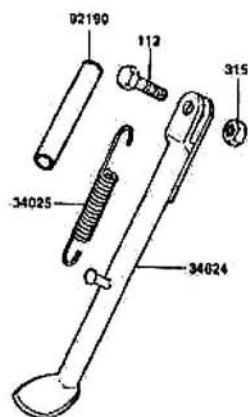
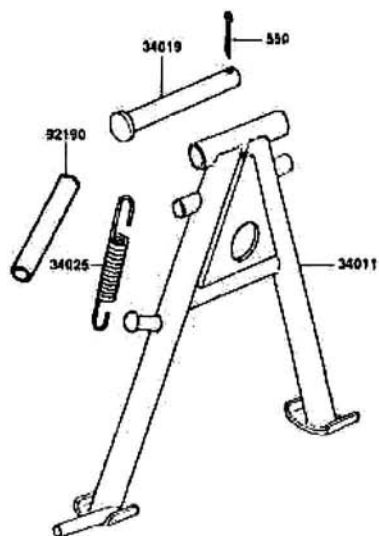




## 20. Fender

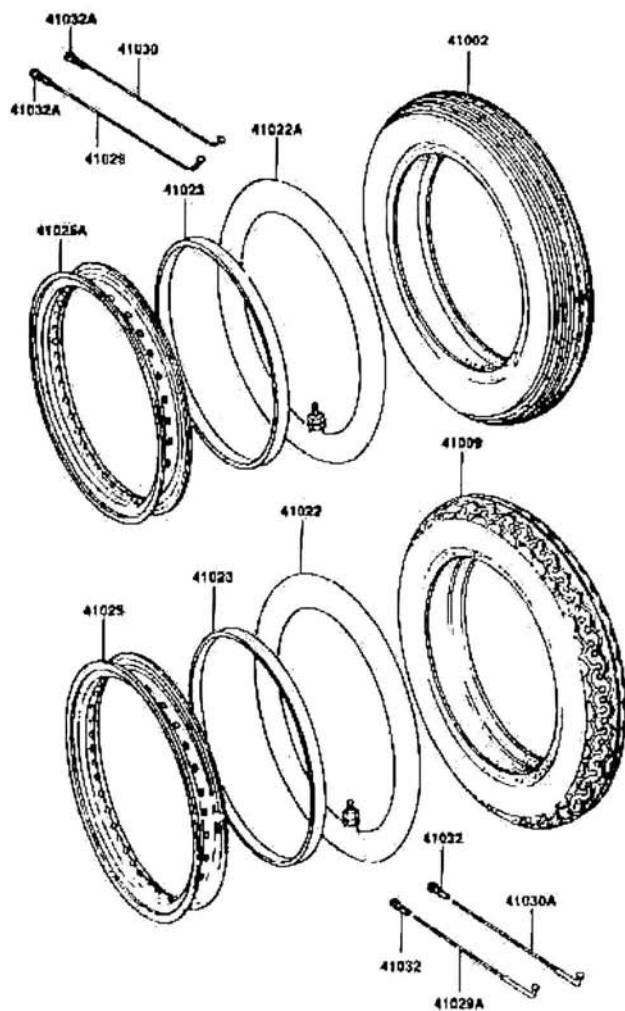
**98 GTO 125**


Ref.No.	Part No.	Description	Quantity
35001	35001-A004	Fender-Front	1
35019	35019-1009	Flap	1
35023	35023-1001	Fender-Rear-Front	1
35023A	35023-1328	Fender-Rear-Rear	1
35023B	35023-A015	Fender-Rear-Mid	1
35024	35024-A001	Braising Flap	1
92002	92002-1200	Bolt,8X12 MM.	4
92015	92015-1193	Nut,8 MM.	4
92022	92022-1565	Washer	4
186	18600616	Bolt,6X16 MM.	4
187	187B0620	Bolt,6X20 MM.	4
220	220C0610	Screw,5X10 MM.	3

**21. Stand**
**98 GTO 125**


Ref.No.	Part No.	Description	Quantity
34011	34011-102H-AM	Stand-Center	1
34019	34019-013	Shaft-Stand	1
34024	34024-056-AM	Stand-Side	1
34025	34025-008	Spring-Stand	2
92190	92190-1106	Tube	2
112	112C1030	Bolt,10X30 MM.	1
315	315C1000	Nut,10 MM.	1
550	550D3025	Pre-Cutter,30X25 MM.	2

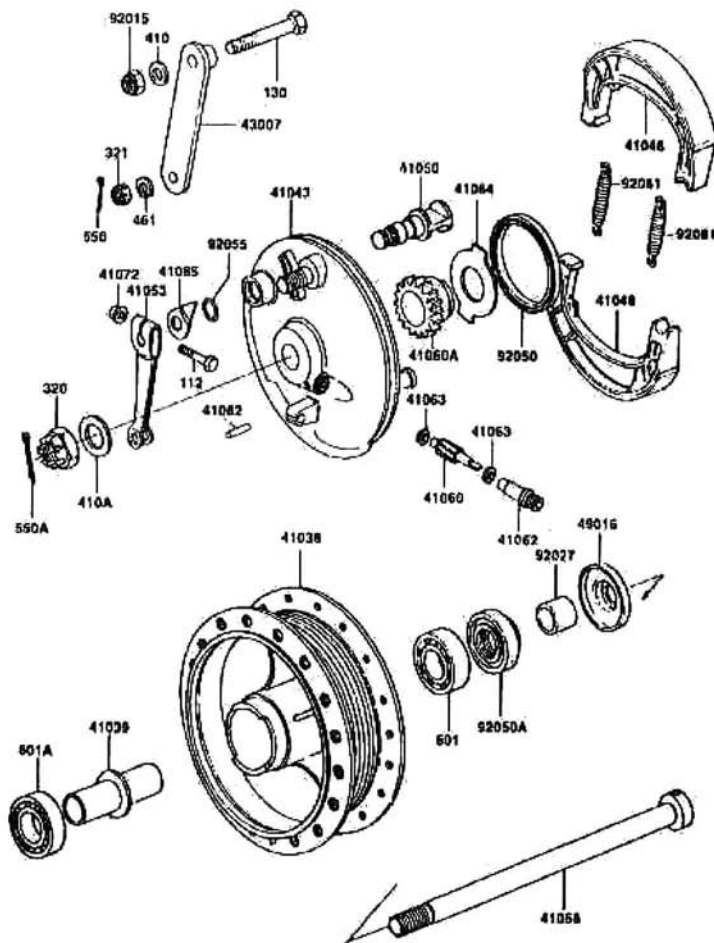
FRONT



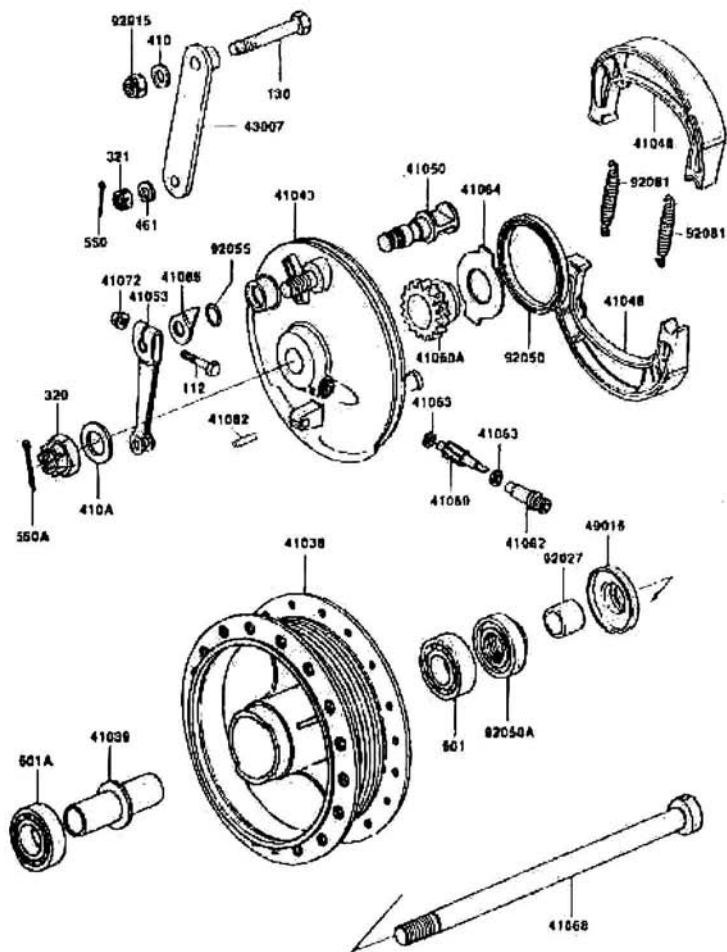
## 22. Tire

98 GTO 125

Ref.No.	Part No.	Description	Quantity	
	41002	41002-A012	Tire,Front,2.50-18	1
	41009	41009-1086	Tire,Rear,2.75-18	1
	41022	41022-1014	Tube-Tire,RR,2.75-18	1
	41022A	41022-1048	Tube-Tire,FR,2.50-18	1
	41023	41023-1012	Band-Rim	2
	41025	41025-1044	Rim,FR,1.60-18	1
	41025A	41025-A002	Rim,RR,1.40-18	1
	41029	41029-021	Spoke-Front-Inner	18
	41029A	41029-A001	Spoke-Rear-Inner	18
	41030	41030-021	Spoke-Front-Outer	18
	41030A	41030-A001	Spoke-Rear-Outer	18
	41032	41032-022	Nipple-Spoke,RR	36
	41032A	41032-024	Nipple-Spoke,FR	36

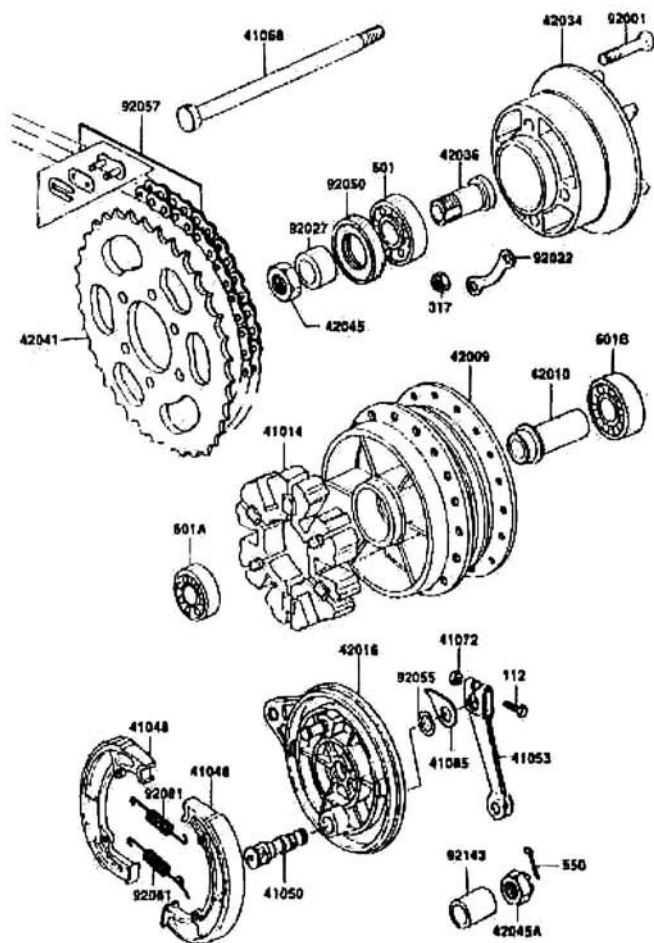
**23. Front Hub (1/2)**
**98 GTO 125**


Rel No.	Part No.	Description	Quantity
41038	41038-A013	Drum-Front	1
41039	41039-001	Collar	1
41043	41043 A004	Panel-Front-Brake	1
41048	41048-1051	Shoe-Brake	2
41050	41050-1004	Cam-Brake	1
41053	41053-005	Lever-Brake-Cam	1
41060	41060-004	Gear-Pinion,Speedometer	1
41060A	41060-1044	Gear-Speedometer	1
41062	41062-005	Bushing-Gear-Meter	1
41063	41063-001	Washer	2
41064	41064-009	Receiver-Speedomet	1
41068	41068-1355	Axle-Front	1
41072	41072-007	Nut,6 MM.	1
41082	41082-001	Pin	1
41085	41085-003	Indicator	1
43007	43007-1012	Rod-Torque	1
49016	49016-1011	Cover-Seal	1
92015	92015-1429	Nut-Lock,10 MM.	1
92027	92027-1054	Collar	1
92050	92050-010	Seal-Oil,Brake Panel	1
92050A	92050-011	Seal-Oil	1
92055	92055-004	O-Ring	1
92081	92081-1766	Spring,Brake Shoe	2
112	112G0630	Bolt,6X30 MM.	1
130	130G1060	Bolt,10X60 MM.	1

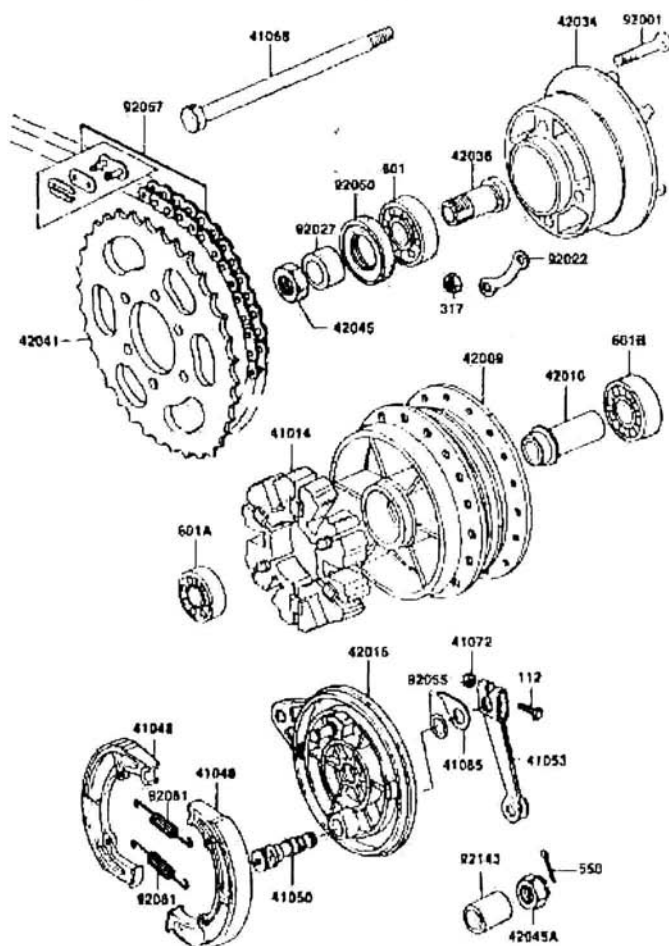


Ref.No.	Part No.	Description	Quantity
320	320G1700	Nut-Caste,12 MM.	1
321	321B0800	Nut-Caste,8 MM.	1
410	410B1000	Washer-Plane,10 MM.	1
410A	110B1200	Washer-Plane,12 MM.	1
461	461F0800	Washer-Spring,8 MM	1
550	550D2025	Pin-Cotter,20X25 MM	1
550A	550D3025	Pin-Cotter,30X25 MM.	1
601	601B6301	Bearing-Ball,#6301	1
601A	601B6301U	Bearing-Ball,#6301U	1

## 24. Rear Hub (1/2)

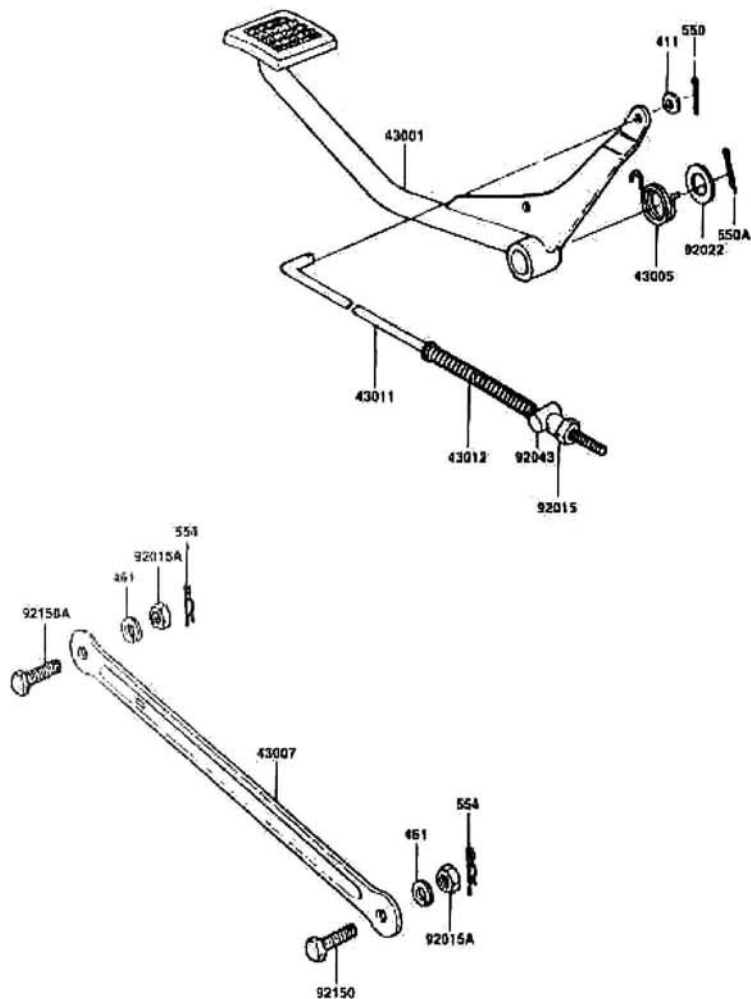
**98 GTO 125**


Ref.No.	Part No.	Description	Quantity
41048	41048-1051	Shoe-Brake	2
41053	41053-1024	Lever-Brake-Cam	1
41068	41068-1165	Axle-Rear	1
41072	41072-007	Nut,6 MM.	1
41085	41085-013	Indicator,Brake Shoe	1
42009	42009-A006	Drum-Rear	1
42010	42010-037	Collar	1
42014	42014-030	Damper,RR Hub Shock	1
42016	42016-A006	Panel-Brake,RR	1
42026	42026-026	Cam-Brake	1
42034	42034-A007	Coupling,RR-Hub	1
42036	42036-1043	Sleeve	1
<b>42041</b>	<b>42041 - 1452</b>	<b>Sprocket 38T</b>	1
42045	42045-015	Nut	1
42045A	42045-050	Nut,12 MM.	1
92001	92001-021	Bolt	6
92022	92022-1269	Washer-Lock	3
92027	92027-1729	Collar	1
92050	92050-060	Seal-Oil	1
92055	92055-004	O-Ring-Brake-Cam	1
92057	92057-1338	Chain-Drive,428X110I	1
92081	92081-1766	Spring-Brake	2
92143	92143-1670	Collar	1
112	112G0630	Bolt,6X30 MM.	1
117	117G0630	Nut,6 MM.	6



Ref.No.	Part No.	Description	Quantity
550	550D3025	Pin-Coiler,30X25 MM	1
601	601B6004	Bearing-Ball,#6004	1
601A	601B6202	Bearing-Ball,#6202	1
601B	601B6302U	Bearing-Ball,#6302U	1

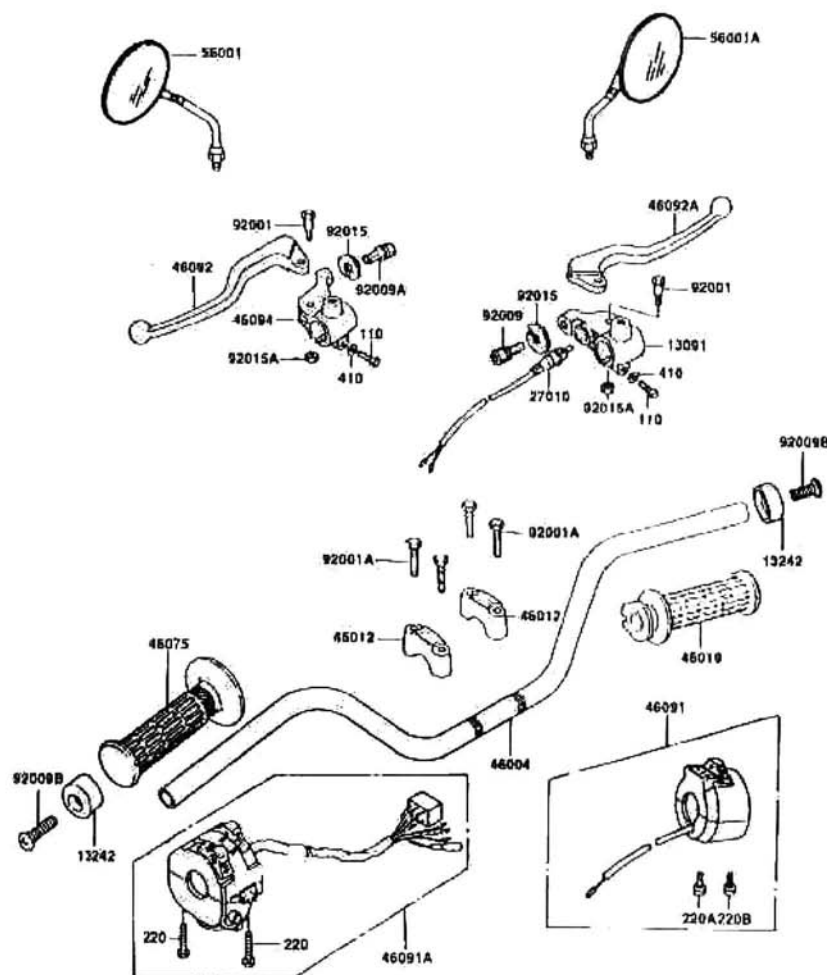
## 25. Brake Pedal

**98 GTO 125**


Ref.No.	Part No.	Description	Quantity
43001	43001-1039	Lever-Brake,Pedal	1
43005	43005-030	Spring-Brake,Pedal	1
43007	43007-1027-AM	Rod-Inrque,HR	1
43011	43011-A004	Rod-Brake-Assy	1
43012	43012-001	Spring,Brake Rod	1
92015	92015-042	Nut,Brake Rod	1
92015A	92015-1416	Nut,10 MM.	2
92022	92022-085	Washer	1
92043	92043-039	Pin,Brake Rod	1
92150	92150-1872	Bolt	1
92150A	92150-1873	Bolt	1
411	411B0500	Washer,5 MM.	1
461	461F1000	Washer-Spring,10 MM.	2
550	550D2015	Pin-Cotter,20X15 MM.	1
550A	550D3030	Pin-Cotter,30X30 MM	1
554	554A0800	Pin-Snap,8 MM.	2

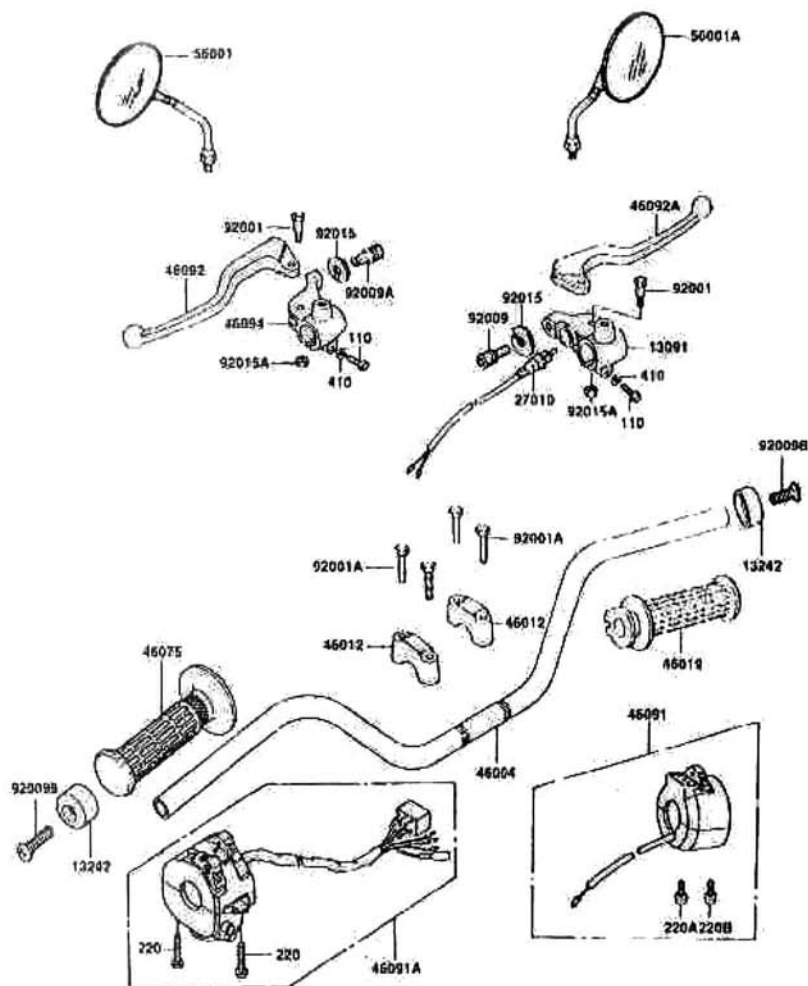


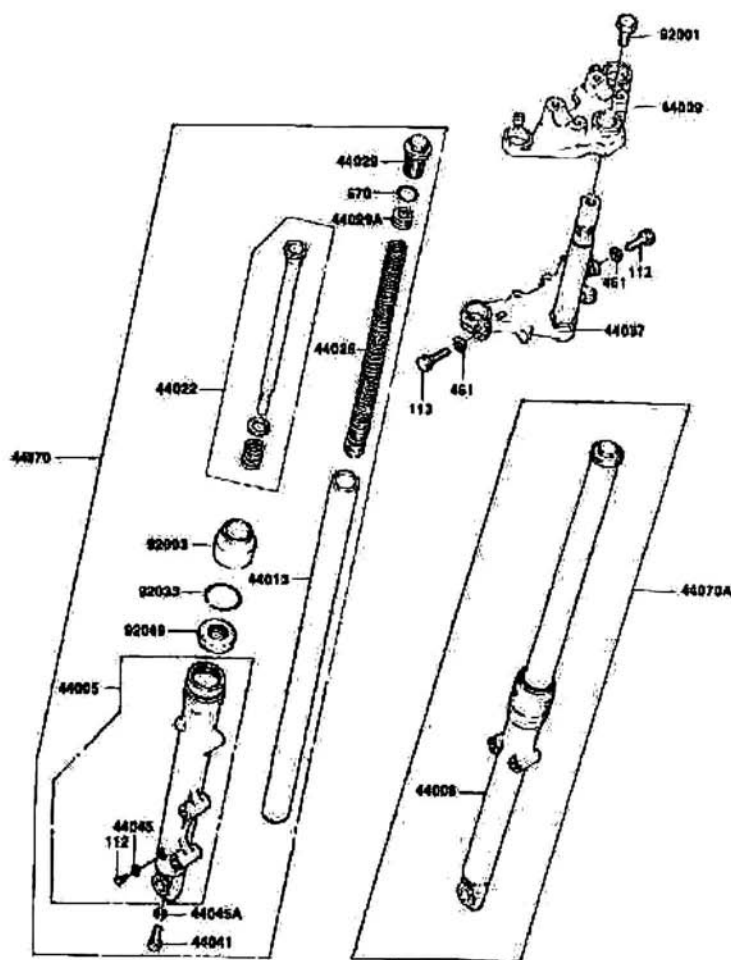
## 26. Handlebar (1/2)

**98 GTO 125**


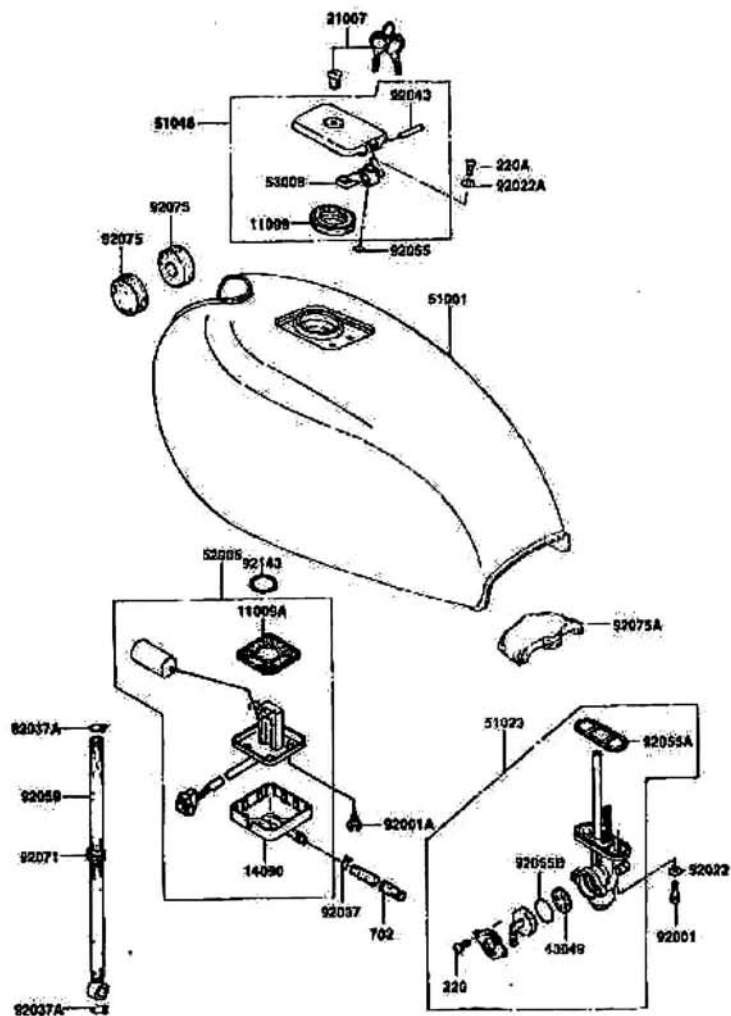
Ref.No.	Part No.	Description	Quantity
13042	13042-1118	Weight-Handle	2
13091	13091-1110	Holder, Brake Lever	1
27010	27010-1052	Switch-Brake,FR	1
46004	46004-A004	Handle	1
46012	46012-A008	Holder-Handle,UPP	2
46019	46019-1089	Grip-Assy,Throttle	1
46075	46075-1131	Grip,LH	1
46091	46091-1252	Housing-Assy-Control,RH	1
46091A	46091-1570	Housing-Assy-Control,LH	1
46092	46092-A005	Lever-Grip,Clutch	1
46092A	46092-A008	Lever-Grip,Front Brake	1
46094	46094-011-21	Holder,Clutch Lever	1
56001	56001-1439	Mirror-Assy,LH	1
56001A	56001-1440	Mirror-Assy,RH	1
92001	92001-1704	Bolt,5X22 MM.	2
92001A	92001-1910	Bolt-Flanged,8X38 MM.	4
92009	92009-1134	Screw-Cable Adjust Lock	1
92009A	92009-1150	Screw	1
92009B	92009-1717	Screw	2
92015	92015-1197	Nut-Cable Adjust Lock	2
92015A	92015-1221	Nut-Lock,5 MM.	2
110	110C0625	Bolt,6X25 MM.	2
220	220B0522	Screw-Pan-Cros,5X22 MM	2
220A	220B0535	Screw-Pan-Cros,5X35 MM	1
220B	220B0540	Screw-Pan-Cros,5X40 MM	1

Ref.No.	Part No.	Description	Quantity
410	410J 0600	Washer - Plain - Small, 6 MM.	2

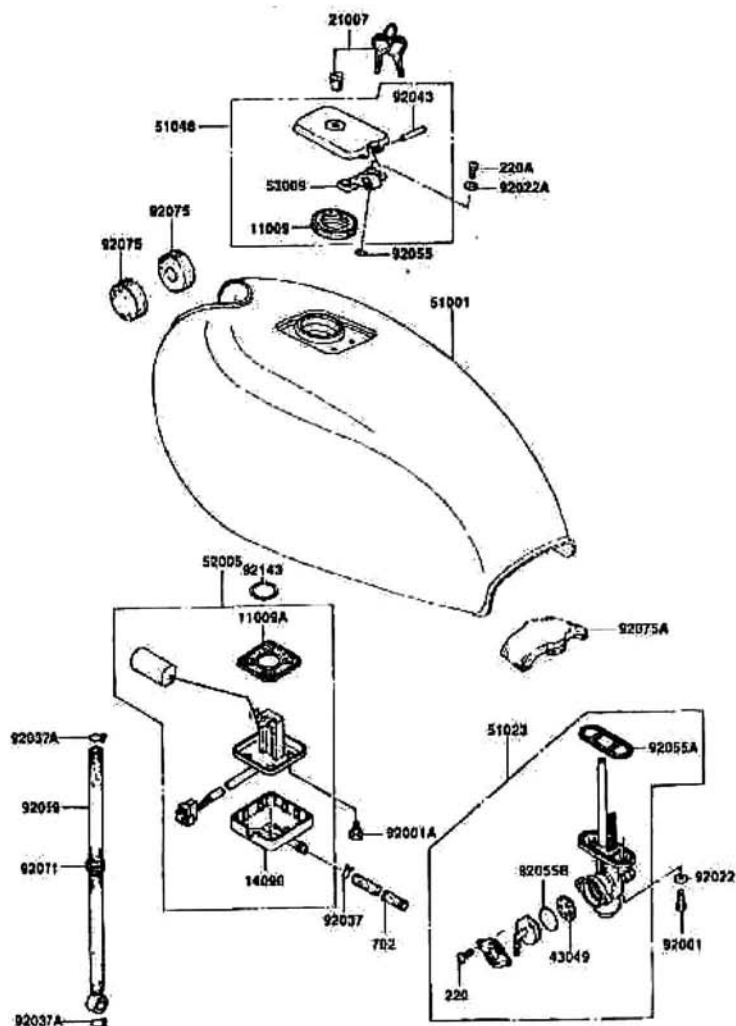




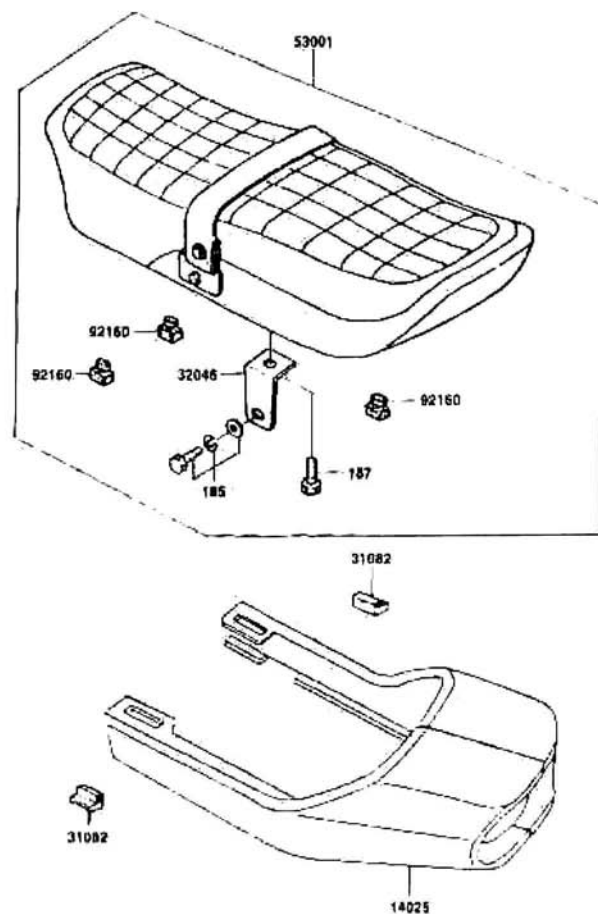
Ref.No.	Part No.	Description	Quantity
44005	44005-A005	Tube-Outer,Fork,LH	1
44006	44006-A005	Tube-Outer,Fork,RH	1
44013	44013-1038	Tube-Inner,Fork	2
44022	44022-1039	Cylinder-Fork	2
44026	44026-1053	Spring-Front Fork	2
44029	44029-1017	Seat-Fork Spring,Bolt	2
44029A	44029-1018	Seat-Fork Spring,Inner Bolt	2
44037	44037-A012 AK	Holder-Fork Under	1
44039	44039-A006	Holder-Fork Upper	1
44041	44041-078	Bolt,Fork Cylinder	1
44045	44045-047	Washer-Gasket	2
44045A	44045-051	Washer-Gasket	2
44070	44070-1570	Damper-Assy-Fork,LH	1
44070A	44070-1571	Damper-Assy-Fork,RH	1
92001	92001-1318	Bolt	1
92033	92033-1028	Ring-Snap,Fork Outer Tube	2
92049	92049-1069	Seal-Oil,Fork Outer Tube	2
92093	92093-1019	Dust Shield,Fork	2
112	112B0808	Bolt,8X8 MM.	2
113	113B1035	Bolt,10X35 MM	2
461	461F1000	Washer-Spring,10 MM.	2
670	670B2022	O-Ring	2



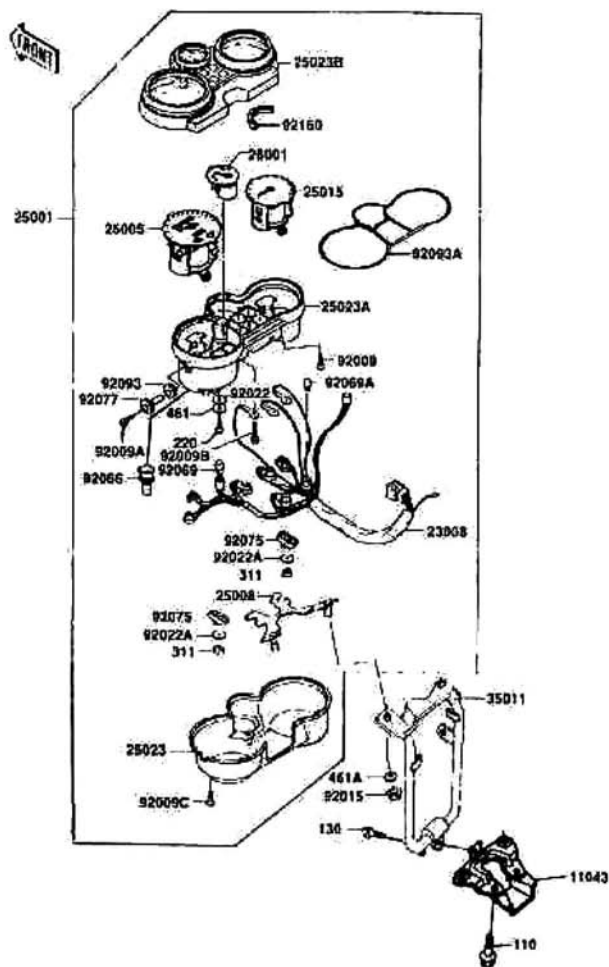
Ref.No.	Part No.	Description	Quantity
11009	11009-1051	Gasket-Tank-Cap	1
11009A	11009-1050	Gasket-Fuel Gauge	1
14090	14090-1624	Cover-Gauge	1
21007	21007-5004	Lock-Tank-Cap	1
43049	43049-1018	Packing-Tap	1
51001	51001-1512-??	Tank-Comp-Fuel-??	1
51023	51023-1051	Tap-Assy	1
51048	51048-1017	Cap-Assy-Tank	1
53005	53005-1029	Gauge,Fuel	1
53009	53009-1009	Hinge	1
92001	92001-1091	Bolt,6X20 MM.	2
92001A	92001-1705	Bolt	4
92022	92022-183	Washer,6.2X1.5 MM.	2
92022A	92022-1977	Washer,5.3X1.0X0.8 MM.	2
92037	92037-147	Clamp	1
92037A	92037-1601	Clamp	2
92043	92043-127	Pin	1
92055	92055-1023	O-Ring	2
92055A	92055-1112	Gasket	1
92055B	92055-1113	G-Ring	1
92069	92059-093	Tube, 4.5X9X360 MM.	1
92071	92071-03B	Grommet	1
92075	92075-101	Damper,FR	2
92075A	92075-173	Damper,RR	1
92143	92143-1537	Collar	1



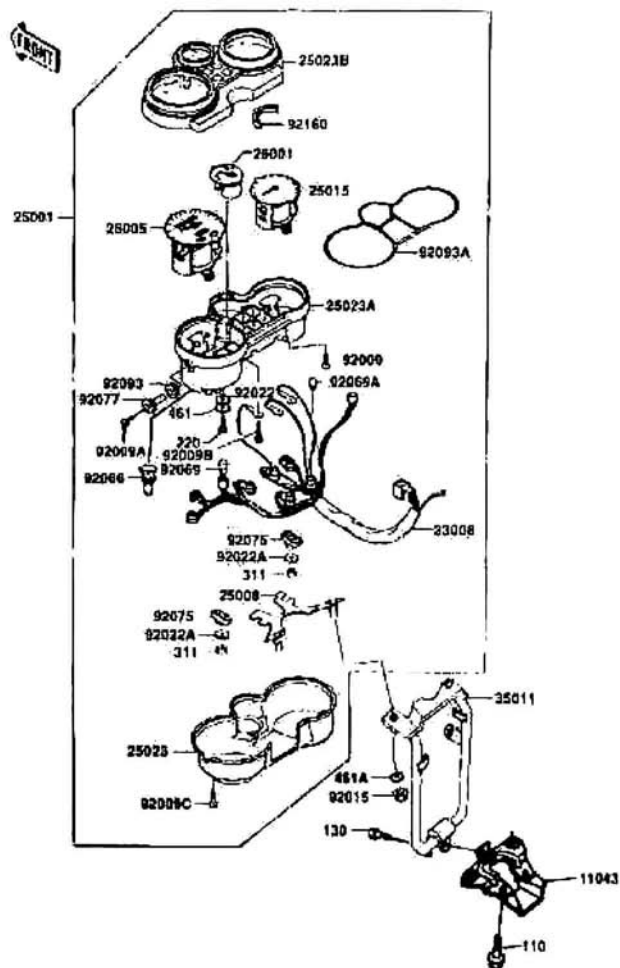
Ref.No.	Part No.	Description	Quantity
220	220B0305A	Screw,3X5 MM.	2
220A	220B0510	Screw,5X10 MM.	2
702	702A07280	Tube,7X10X280 MM.	1

**30. Seat**
**98 GTO 125**


Ref.No.	Part No.	Description	Quantity
14025	14025-A055-79	Cover-Tail-79	1
31082	31082-005	Damper	2
32046	32046-A001	Bracket-Seat	2
53001	53001-A028	Seat-Comp	1
92160	92160-A006	Bolt	3
130	130B0612	Bolt,6X12 MM.	4
185	185C0816	Bolt,8X16 MM.	2
187	187B0614	Bolt,6X14 MM.	4

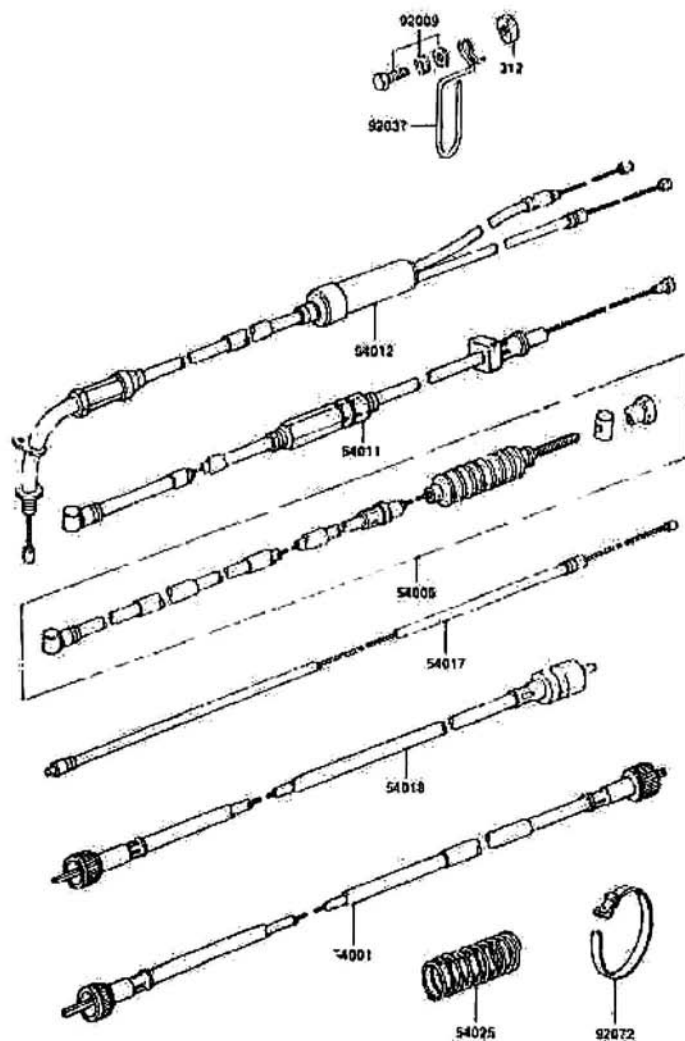


Ref.No.	Part No.	Description	Quantity
11043	11043-A025	Bracket	1
23008	23008-A044	Socket-Assy-Meter	1
25001	25001-A024	Meter-Assy,KPH.	1
25005	25005-A031	Speedometer,KPH	1
25008	25008-1112	Bracket-Meter Comp	1
25015	25015-A022	Tachometer-Assy	1
25023	25023-1211	Cover-Meter-Case,Lower	1
25023A	25023-A035	Case-Meter	1
25023B	25023-A040	Cover-Meter-Case,Upper	1
28001	28001-A016	Meter-Fuel	1
35011	35011-A032-AK	Bracket-Head Lamp	1
92009	92009-1158	Screw,4X16 MM	4
92009A	92009-1172	Screw,2X6 MM	1
92009B	92009-1293	Screw,3X22 MM	3
92009C	92009-1787	Screw	3
92015	92015-1193	Nut,6 MM	2
92022	92022-1394	Washer	4
92022A	92022-263	Washer,5.2X16X12 MM	2
92066	92066-A015	Plug	2
92069	92069-1007	Bulb,12V3.4W	6
92069A	92069-1059	Bulb,12V1.7W	1
92075	92075-1581	Damper-Meter-Bracket	2
92077	92077-1056	Knob-Meter	1
92093	92093-1344	Damper	1
92093A	92093-A007	Damper	1

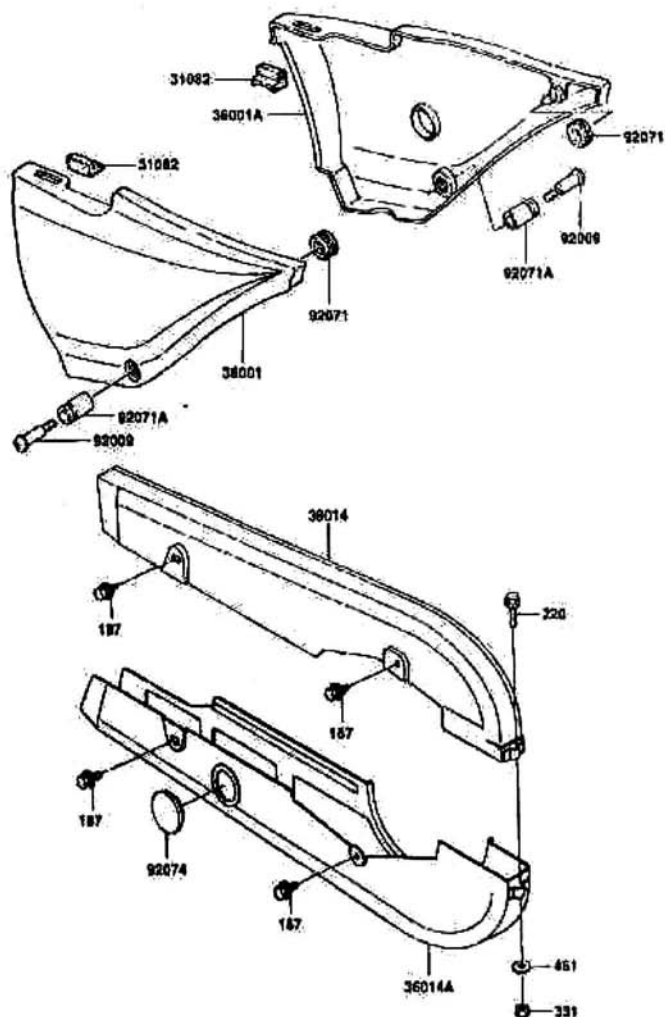


Ref No.	Part No.	Description	Quantity
92160	92160-1469	Damper	1
110	110B0614	Bolt,6X14 MM.	2
130	130B0612	Bolt,6X12 MM.	1
220	220B0412	Screw,4X12 MM.	4
311	311H0500	Nut,5 MM.	2
461	461F0400	Washer-Spring,4 MM.	4
461A	461F0600	Washer-Spring,6 MM.	2

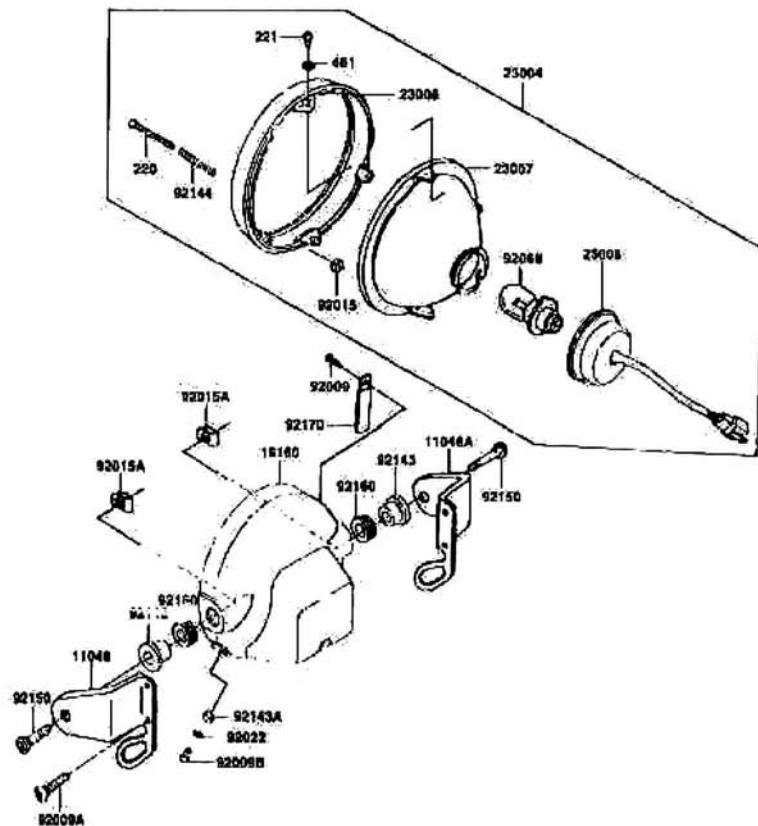




Ref.No.	Part No.	Description	Quantity
54001	54001-A011	Cable-Spark/Throttle	1
54005	54005-1019	Cable-Brake	1
54011	54011-1331	Cable-Clutch	1
54012	54012-1148	Cable-Throttle	1
54017	54017-1000	Cable-Starter	1
54018	54018-A007	Cable-Tachometer	1
54025	54025-993	Spring	1
92009	92009-1303	Screw	1
92037	92037-1112	Clamp-Cable	1
92072	92072-030	Band-Cable	1
312	312-06000	Nut-Hex,6 MM	1

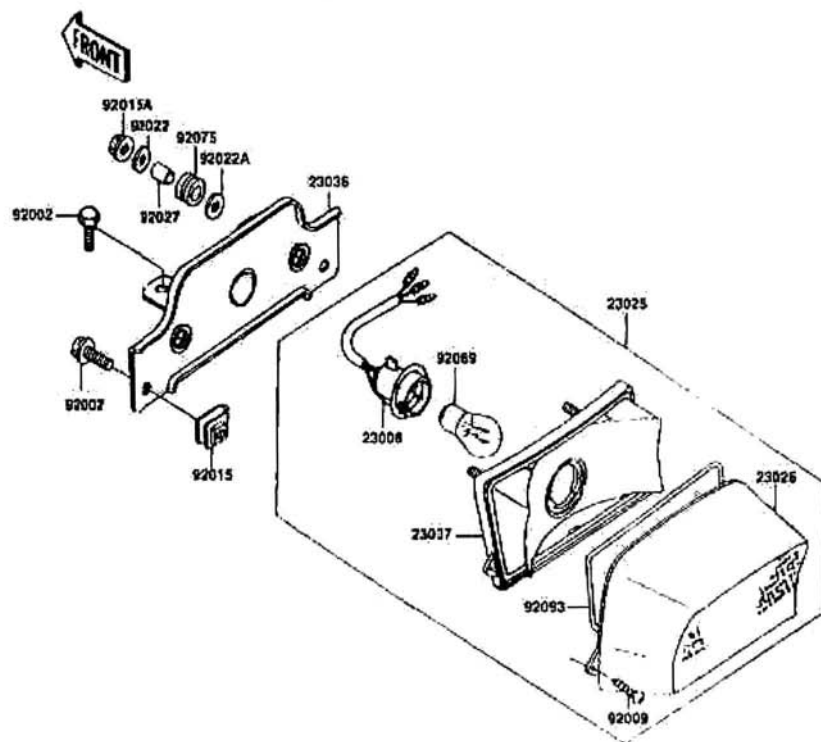


Ref.No.	Part No.	Description	Quantity
31082	31082-005	Damper,Rubber	2
36001	36001-A009-??	Cover-Side,LH-??	1
36001A	36001-A010-??	Cover-Side,RH-??	1
36014	36014-A002-BT	Case-Chain,UPP	1
36014A	36014-A003-B1	Case-Chain,LWR	1
92009	92009-1091	Screw	2
92071	92071-056	Grommet,Side Cover	2
92071A	92071-1001	Grommet,Side Cover Fitting	2
92074	92074-004	Plug	1
187	187X0610	Bolt,6X10 MM	4
220	220B0625	Screw,6X25 MM	1
311	311B0600	Nut,6 MM	1
461	461F0600	Washer,6 MM	1

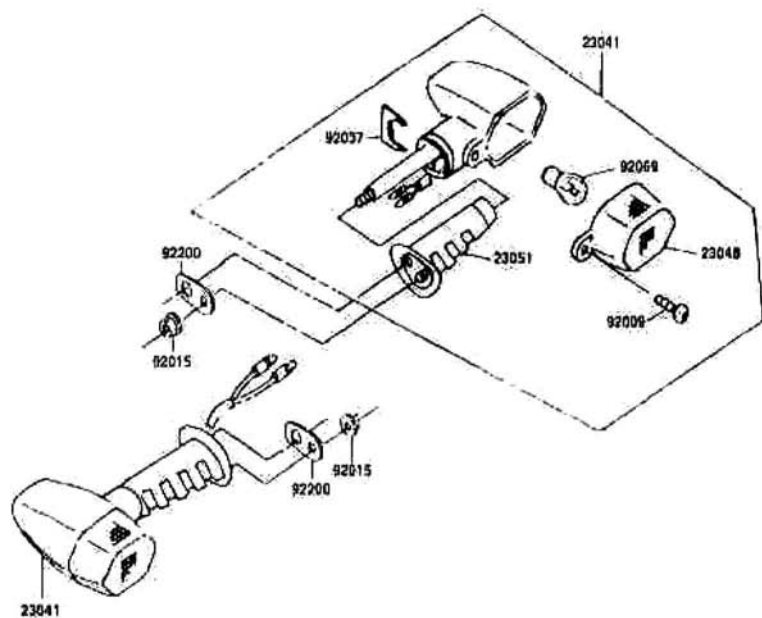
**34. Head Lamp**
**98 GTO 125**


Ref.No.	Part No.	Description	Quantity
11048	11048-1301	Bracket,LH	1
11048A	11048-1302	Bracket,RH	1
16160	16160-1268	Body-Head-Lamp	1
23004	23004-1392	Lamp-Heart	1
23006	23006-1067	Rim-Assy-Lamp	1
23007	23007-1343	Lens-Comp-Head Lamp	1
23008	23008-1519	Socket-Assy-Head Lamp	1
92009	92009-1158	Screw	1
92009A	92009-1782	Screw	4
92009B	92009-A016	Screw,5X16 MM	2
92015	92015-1921	Nut-Adjuster	1
92015A	92015-1922	Nut	2
92022	92022-A011	Washer	2
92069	92069-1074	Bulb,12V30/30W	1
92143	92143-1673	Collar	2
92143A	92143-1674	Collar	2
92144	92144-1751	Spring-Adjuster	1
92150	92150-1890	Bolt	2
92160	92160-1464	Damper-Head Lamp	2
92170	92170-1888	Clamp	1
220	220ED450	Screw,4X50 MM	1
221	221B0510	Screw,5X10 MM.	2
461	461F0500	Washer,5 MM.	2

### 35. Tail Lamp

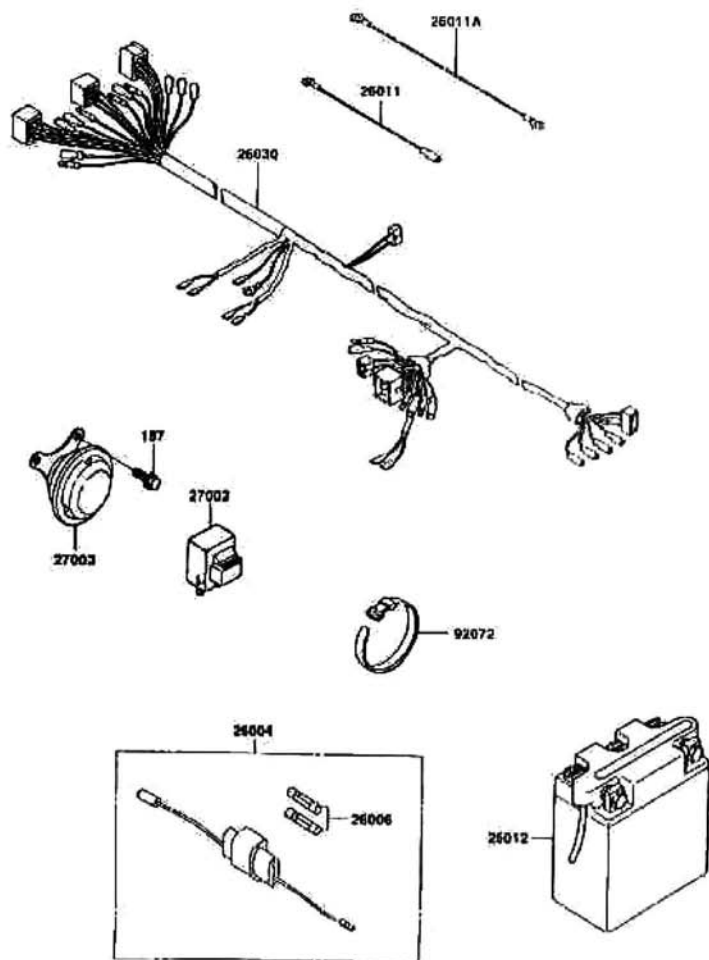
**98 GTO 125**


Ref.No.	Part No.	Description	Quantity
23008	23008-1491	Socket-Assy-Tail Lamp	1
23025	23025-A015	Lamp-Tail	1
23026	23026-A027	Lens-Tail Lamp	1
23036	23036-1135	Bracket-Tail Lamp	1
23037	23037-A014	Brdy-Comp-Tail Lamp	1
92002	92002-1232	Bolt,6X12 MM	4
92009	92009-A022	Screw,4X16 MM.	2
92015	92015-1094	Nut	2
92015A	92015-1193	Nut,6 MM.	2
92022	92022-125	Washer,6.5X20X1.6 MM.	2
92022A	92022-A017	Washer	2
92027	92027-162	Collar	2
92069	92069-057	Bulb,12V18/5W	1
92075	92075-1690	Damper	2
92093	92093-A005	Damper	1

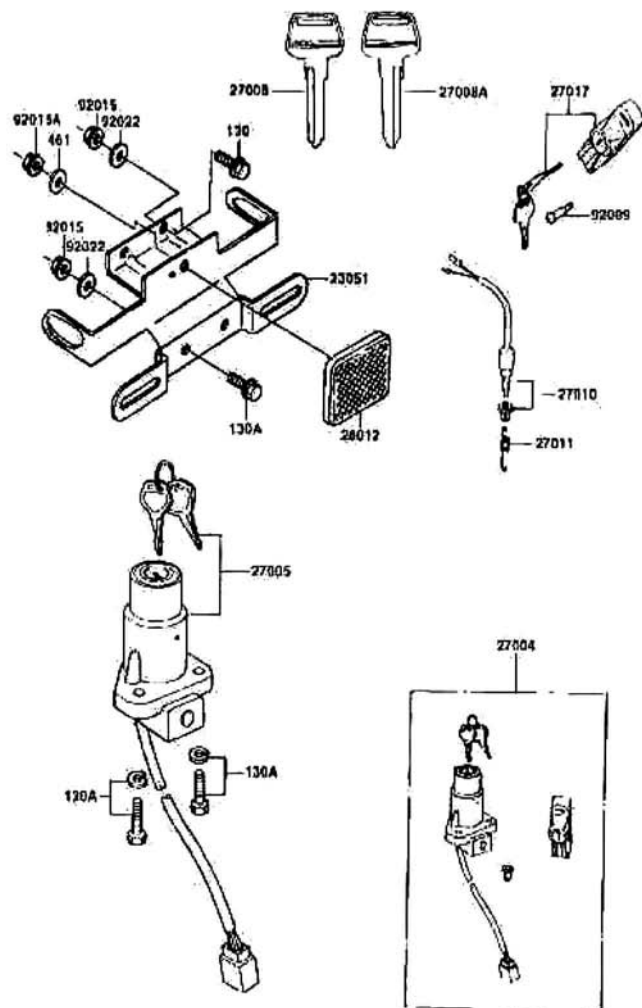


Ref.No.	Part No.	Description	Quantity
23041	23041-A0G1	Lamp-Assy-Signal	4
23048	23048-A0B1	Lens-Signal	4
23051	23051-A0C5-AN	Bracket-Signal-Lamp	4
92015	92015-142B	Nut	4
92009	92009-A025	Screw	4
92037	92037-A024	Clamp	4
92069	92069-10B5	Bulb,12V10W	4
92200	92200-132B	Washer	4

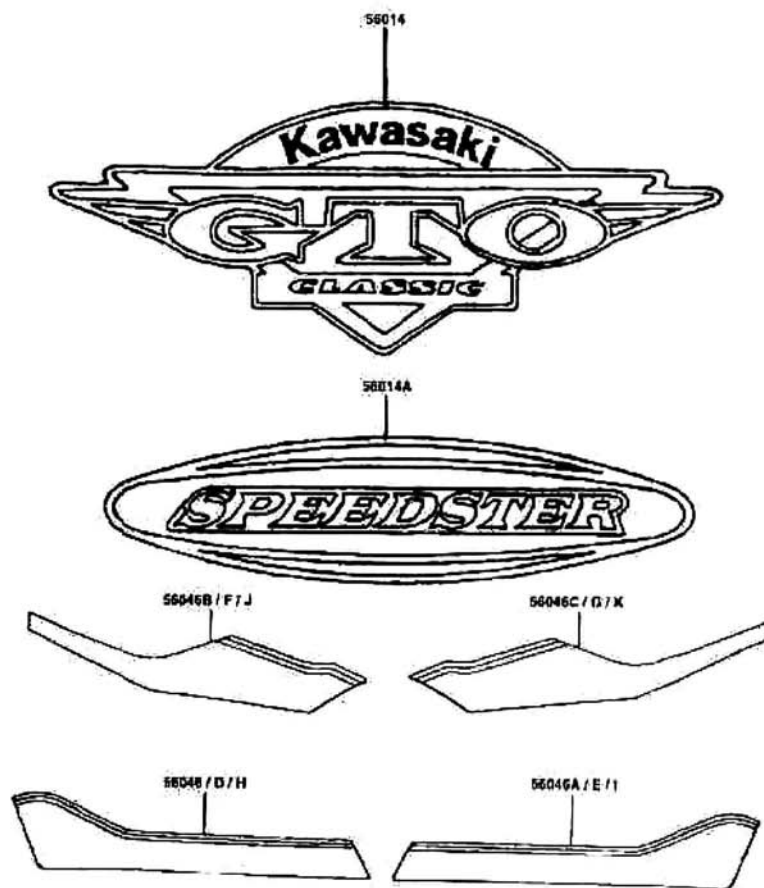
### 37. Electrical Equipment

**98 GTO 125**


Ref.No.	Part No.	Description	Quantity
26004	26004-10B8	Fuse-Assy	1
26006	26006-1003	Fuse,15A	1
26011	26011-A010	Wire-Lead-Battery,(+)	1
26011A	26011-1B02	Wire-Lead-Battery,(-)	1
26012	<b>26012- 1198</b>	Battery,12V4AH	1
26030	26030-A015	Harness-Main	1
27002	27002-1057	Relay-Assy-Turn Signal	1
27003	27003-1348	Horn	1
92072	92072-030	Clamp	7
187	187B0612	Bolt,5X12 MM.	2



Ref.No.	Part No.	Description	Quantity
27051	27051-A005	Bracket-License Plate	1
27004	27004-5140	Switch-Assy	1
27005	27005-1039	Switch-Assy-Ignition	1
27008	27008-1034	Key-Lock-Blank,#A	1
27008A	27008-1035	Key-Lock-Blank,#B	1
27010	27010-025	Switch-Rear-Brake	1
27011	27011-015	Spring-Brake-Lamp Switch	1
27017	27017-1023	Lock-Assy-Helmet	1
28012	28012-1076	Reflector-Hinflex,RH	1
92009	92009-1147	Screw	1
92015	92015-1193	Nut,5 MM.	2
92015A	92015-1259	Nut,5 MM.	1
92022	92022-125	Washer.	2
130	130B0012	Bolt,6X12 MM.	2
130A	130D0614	Bolt,6X14 MM.	4
461	46110500	Washer Spring,5 MM.	3



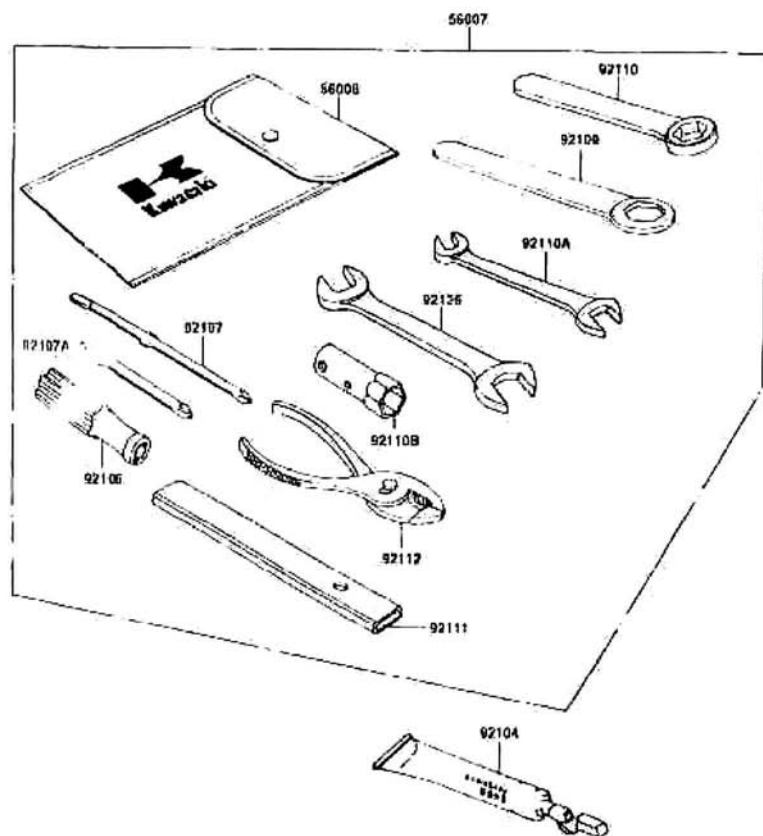
### 39. Label & Pattern

**98 GTO 125**

Ref.No.	Part No.	Description	Quantity
56014	56014-A032	Emblem-Fuel-Tank (Blue),(Red),(LightBlue)	2
56014	56014-A033	Emblem-Side-Cover (Blue),(Red),(LightBlue)	2
56046	56046-A920	Pattern-Fuel-Tank,LH (Blue)	1
56046A	56046-A921	Pattern-Fuel-Tank,RH (Blue)	1
56046B	56046-A922	Pattern-Cover-Seat,LH (Blue)	1
56046C	56046-A923	Pattern-Cover-Seat,RH (Blue)	1
56046D	56046-A924	Pattern-Fuel-Tank,LH (Red)	1
56046E	56046-A925	Pattern-Fuel-Tank,LH (Red)	1
56046F	56046-A926	Pattern-Cover-Seat,LH (Red)	1
56046G	56046-A927	Pattern-Cover-Seat,RH (Red)	1
56046H	56046-A928	Pattern-Fuel-Tank,LH (LightBlue)	1
56046I	56046-A929	Pattern-Fuel-Tank,LH (LightBlue)	1
56046J	56046-A930	Pattern-Cover-Seat,LH (LightBlue)	1
56046K	56046-A931	Pattern-Cover-Seat,RH (LightBlue)	1

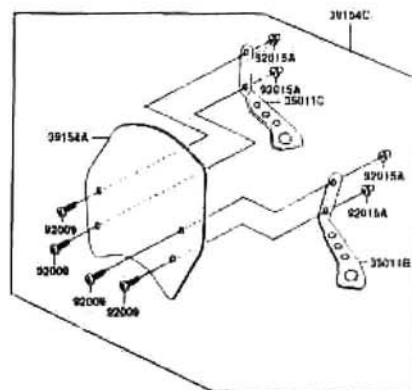
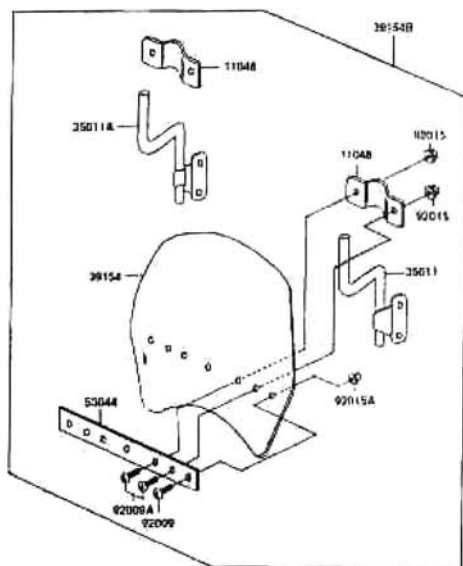


## 40. Tool

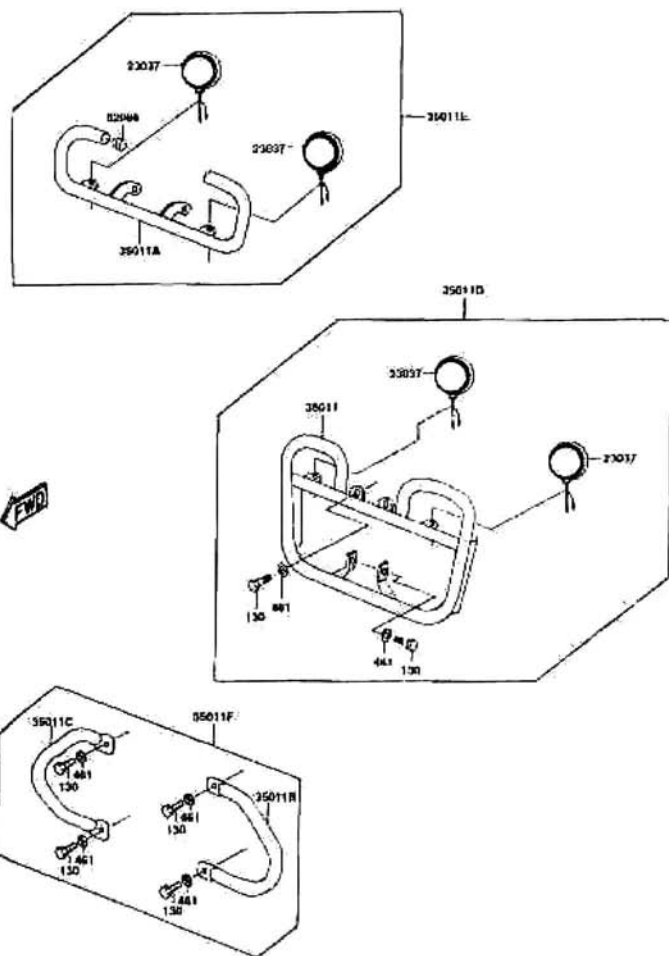
**98 GTO 125**


Ref.No	Part No.	Description	Quantity
56007	56007-1263	Toolkit	1
56008	56008-1019	Bag-Tool	1
92104	92104-002	Gasket-Liquid	1
92106	92106-1001	Tool-Wrench-Box	1
92107	92107-003	Tool-Driver.#2Phillips&Sint	1
92107A	92107-005	Tool-Driver,#3Phillips	1
92109	92109-009	Tool-Wrench-Box,27	1
92110	92110-1024	Tool-Wrench-Box,22	1
92110A	92110-1038	Tool-Wrench-Box,10X12	1
92110B	92110-1050	Tool-Wrench-Box,21	1
92111	92111-004	Tool-Bar,Box End Wrench	1
92112	92112-003	Tool-Pliers	1
92126	92126-003	Tool-Wrench-Box,14x27	1

#### 41. Windshield (Accessory)

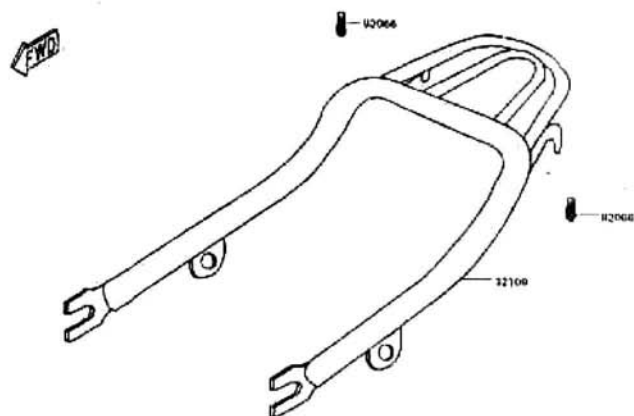
**98 GTO 125**


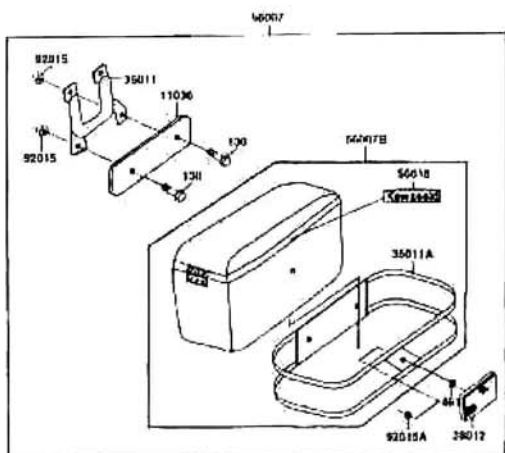
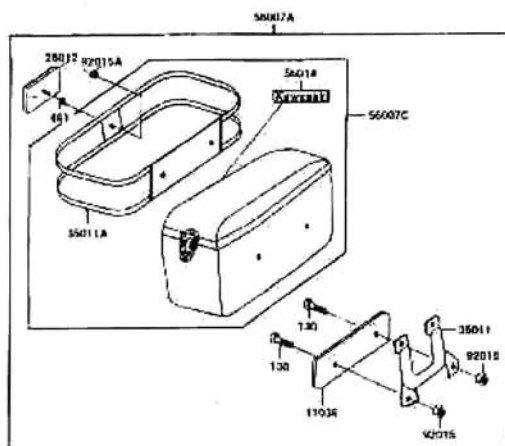
Ref.No.	Part No.	Description	Quantity
1104B	1104B-A031	Bracket	2
35011	35011-A037	Stay-LH	1
35011A	35011-A038	Stay-RH	1
35011B	35011-A043	Stay-LH	1
35011C	35011-A044	Stay-RH	1
39154	39154-A012	Windshield-Wide	1
39154A	39154-A013	Windshield-Regular	1
39154B	39154-A014	Windshield-Assy-Wide	1
39154C	39154-A015	Windshield-Assy-Regular	1
53044	53044-A010	Trim	1
92009	92009-1464	Screw,5 MM.	7
92009A	92009-1782	Screw,6 MM.	4
92015	92015-1193	Nut,6 MM.	4
92015A	92015-1757	Nut,5 MM.	7



Ref.No.	Part No.	Description	Quantity
23037	23037-A010	Lamp-Hazard	4
35011	35011-A024	Guard-Frame	1
35011A	35011-A033	Guard-Frame,Lead Lamp	1
35011B	35011-A034	Guard-Frame,LH,Low	1
35011C	35011-A035	Guard-Frame,RH,Low	1
35011D	35011-A050	Guard-Frame-Assy	1
35011E	35011-A051	Guard-Frame-Assy,Lead Lamp	1
35011F	35011-A052	Guard-Frame-Assy,Low	1
02066	02066-A013	Plug	2
130	130H1020	Bolt,10X20 MM.	8
461	461F1000	Washer-Sprng,10 MM.	8

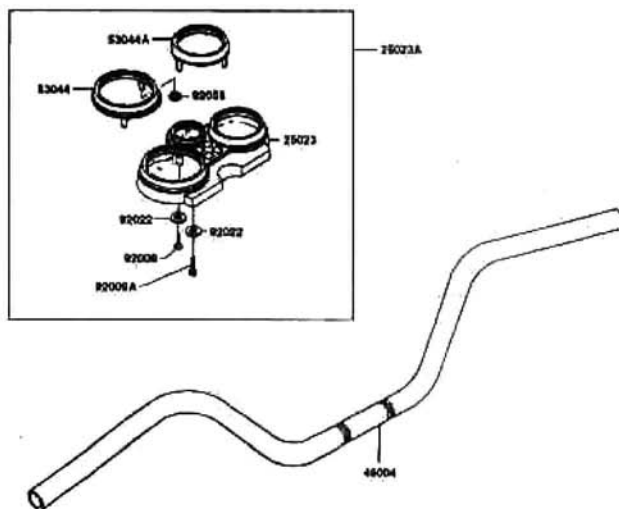
Ref.No.	Part No.	Description	Quantity
32109	32109-A010	Carrier,Tail	1
92066	92066-A016	Plug	2





Ref.No.	Part No.	Description	Quantity	
11036	11036-A006	Bracket	2	
28012	28012-1075	Reflector-Reflex	2	
35011	35011-A039	Stay-Side-Bag	2	
35011A	35011-A042	Bracing Bag	2	
56007	56007-A001-B1	Bag-Side-Assy,LH (Blue)	1	
	↑	56007-A001-R1	Bag-Side-Assy,RH (Red)	1
56007A	56007-A003-B1	Bag-Side-Assy,RH (Blue)	1	
	↑	56007-A003-R1	Bag-Side-Assy,RH (Red)	1
56007B	56007-A004-B1	Bag-Side,LH (Blue)	1	
	↑	56007-A004-R1	Bag-Side,LH (Red)	1
56007C	56007-A005-B1	Bag-Side,RH (Blue)	1	
	↑	56007-A005-R1	Bag-Side,RH (Red)	1
56018	56018-A330	Label KAWASAKI	2	
92015	92015-1193	Nut,6 MM	4	
92015A	92015-1259	Nut,5 MM	2	
130	13000612	Bolt,6X12 MM	4	
461	461F0500	Washer-Spring,5 MM	2	

### 45. Handle Bar & Meter Cover

**98 GTO 125**
**FRONT**


Ref.No.	Part No.	Description	Quantity
25023	25023-A041	Case-Meter-Upper	1
25023A	25023-A042	Case-Meter-Assy,Upper	1
46004	46004-A001	Handle Bar	1
53044	53044-1300	Trim,Speedometer	1
53044A	53044-1301	Trim,Tachometer	1
92009	92009-1785	Screw	2
92009A	92009-1786	Screw	2
92022	92022-A018	Washer	2
92055	92055-1564	O-Ring	2

## Numerical Parts Index

Part No.	Grid No.	Part No.	Grid No.	Part No.	Grid No.	Part No.	Grid No.	Part No.	Grid No.	Part No.	Grid No.	Part No.	Grid No.
10B0614	31	220B0625	10	461K0500	2	11060-1634	13	13142-014	8	16030-1001	12	25023-A041	45
10C0625	26	220B0625	33	482K9000	13	12001-1002	4	13144-066	7	16031-015	12	25023-A042	45
12B0608	27	220B0640	10	510A3100	13	13001-1379	4	13146-002	8	16032-003	12	26004-1088	37
12C1030	21	220B0645	11	510A3200	4	13002-1051	4	13151-1001	8	16033-012	12	26006-1003	37
12G0520	6	220B0660	10	511A0412	5	13008-5060	4	13157-004	9	16034-001	12	26011-1502	37
12G0630	23	220B0665	10	550D1210	12	13024-5025	4	13161-1197	9	16073-1008	12	26011-A010	37
12G0630	24	220C0610	20	550D2015	25	13025-5026	4	13168-1046	9	16077-001	12	26012-1308	37
12N1035	18	220C0635	2	550D2025	23	13027-1034	4	13209-014	8	16082-1123	13	26016-004	37
13B1035	27	220E0450	34	550D2518	18	13029-1035	4	13231-1008	6	16085-004	13	26030-A015	37
15B0816	3	221B0510	34	550D3025	21	13031-1337	4	13239-1034	8	16115-1053	11	27002-1057	37
15G0830	5	221B0614	14	550D3025	23	13033-1008	4	13242-1021	9	16116-006	11	27003-1346	37
20G0630	8	221B0616	10	550D3025	24	13034-1053	4	13246-001	6	16128-009	13	27004-5140	38
30B0608	3	221B0620	5	550D3030	25	13035-1075	4	13252-1053-BB	6	16134-021	13	27005-1039	38
30B0612	30	223B0512	14	554A0800	25	13037-1137	4	13260-1390	7	16136-007	11	27008-1034	38
30B0612	31	223B0612	11	600A0600	16	13037-1140	4	14002-A001	10	16147-001	12	27008-1035	38
30B0612	38	225B0612	29	600A0800	5	13042-1118	26	14002-A002	10	16160-1268	34	27010-025	38
30B0612	44	291H0616	6	600A0900	6	13044-5081	4	14014-008	10	18020-1240	3	27010-1035	26
30B0818	17	311B0500	31	600A0900	7	13045-1003	10	14017-017	10	18043-012	3	27011-015	38
30B1020	42	311B0600	33	600A1300	9	13059-060	5	14025-1131	11	18049-1282	3	27012-1001	29
30D0614	38	312B0600	6	601B6004	8	13061-1027	5	14025-1137	11	18069-1011	3	27017-1023	38
30G1060	23	312C0600	32	601B6004	24	13063-002	5	14025-A055-??	30	18090-1557	3	28001-A016	31
30H0612	29	314B1000	17	601B6202	24	13064-1113	5	14025-A056	11	21002-1262	14	28012-1075	44
32G0620	11	315C1000	21	601B6301	23	13066-1024	5	14026-1023	11	21003-1238	14	28012-1076	38
32G0640	11	315G1200	4	601B6301U	23	13068-007	5	14030-A002-BT	11	21007-1003	8	31082-005	30
32G0675	11	317B0800	3	601B6302U	24	13069-005	5	14031-A006	11	21007-1236	14	31082-005	33
32V0630	11	317B0800	24	610A0406	7	13070-1130	5	14032-A009	11	21007-5004	28	32002-A007-AM	16
32V0635	11	320G1200	23	610A0406	8	13072-003	5	14039-001	11	21017-002	13	32046-A001	30
32V0650	11	321B0800	23	610A0410	4	13073-004	5	14046-006	11	21017-002	14	32069-1001	3
72G08120	10	410B0600	2	610A0512	10	13081-1290	6	14069-003	10	21047-1059	14	32097-A002	17
83B0818	19	410B0600	6	670B2016	4	13086-1002	6	14073-1001	2	21061-1003	14	32103-A001	17
85B0816	3	410B0600	8	670B2022	27	13087-1020	6	14073-1033	2	21066-1071	14	32109-A009	17
85C0816	30	410B0600	11	670B3026	11	13088-1010	6	14090-1624	28	21121-1251	15	32109-A010	43
86D0616	20	410B0600	14	670B3036	29	13089-1009	6	15003-1287	12	21160-001	15	33001-A006	18
87B0612	2	410B1000	23	670B5075	3	13091-1001	3	16002-002	12	23004-1392	34	33032-039	18
87B0612	37	410B1200	23	702A06150	10	13091-1077	8	16002-007	12	23006-1067	34	33040-1025	18
87B0614	17	410F0600	26	702A07280	28	13091-1110	26	16002-012	13	23007-1343	34	33040-1054	18
87B0614	30	411B0500	25	11002-1109	1	13091-1115	6	16003-004	12	23008-1491	35	34003-A007-EK	19
87B0620	20	411B1000	17	11004-1041	1	13091-1117	3	16004-010	34	23008-1519	34	34011-1028-EK	21
87B0622	15	411B1000	18	11005-1355	1	13091-1350	9	16005-1006	12	23008-A044	31	34019-013	21
87X0610	33	411B1200	18	11009-1051	28	13095-1185	6	16006-013	12	23025-A015	35	34024-056-EK	21
20B0305A	28	461F0400	31	11009-1136	11	13102-1016	6	16007-020	12	23026-A027	35	34025-006	21
20B0412	31	461F0500	34	11009-1234	1	13116-1135	6	16008-010	12	23036-1135	35	34028-1023	18
20B0510	28	461F0500	38	11009-1656	28	13118-1001	6	16009-1040	12	23037-A010	42	35001-A004	20
20B0512	2	461F0500	44	11009-1992	3	13127-1054	7	16010-004	12	23037-A014	35	35011-A024	42
20B0514	13	461F0600	11	11011-A006-BT	2	13128-1190	7	16012-004	12	23041-A005	36	35011-A032-AK	31
20B0522	26	461F0600	33	11012-1082	29	13129-010	7	16013-003	12	23048-A081	36	35011-A033	42
20B0528	13	461F0800	3	11012-1740	16	13129-1139	7	16014-002	12	23051-A005	38	35011-A034	42
20B0535	26	461F0800	5	11012-A019-BT	2	13129-1146	6	16016-002	12	23051-A005-AN	36	35011-A035	42
20B0540	26	461F0800	23	11013-A005	2	13129-1148	7	16017-1220	12	25001-A024	31	35011-A037	41
20B0612	10	461F1000	17	11036-A066	44	13129-1149	7	16019-021	12	25005-A031	31	35011-A038	41
20B0612	11	461F1000	25	11043-A025	31	13129-1289	7	16021-002	12	25008-1112	31	35011-A039	44
20B0616	6	461F1000	27	11048-1301	34	13129-1708	7	16022-005	12	25015-A022	31	35011-A042	44
20B0616	8	461F1000	42	11048-1302	34	13140-1026	8	16022-007	12	25023-A034	31	35011-A043	41
20B0620	10	461F1200	4	11048-A031	41	13140-1027	8	16025-057	12	25023-A035	31	35011-A044	41
20B0620	11	461F1200	18	11060-1160	13	13140-1028	8	16029-004	12	25023-A040	31	35011-A050	42

## Numerical Parts Index

Part No.	Grid No.	Part No.	Grid No.	Part No.	Grid No.	Part No.	Grid No.	Part No.	Grid No.	Part No.	Grid No.	Part No.	Grid No.
35011-A051	42	42026-026	24	54005-1019	32	92009-1158	34	92022-1540	18	92046-037	10	92071-056	33
35011-A052	42	42034-A007	24	54011-1001	32	92009-1172	31	92022-1565	20	92047-013	16	92071-067	13
35019-1009	20	42036-1043	24	54012-1148	32	92009-1266	9	92022-1582	5	92047-014	16	92071-1001	33
35023-1001	20	42041-1459	24	54017-1009	32	92009-1293	31	92022-183	28	92048-009	16	92072-030	32
35023-1328	20	42045-015	24	54018-A007	32	92009-1331	32	92022-1977	28	92049-004	10	92072-030	37
35023-A015	20	42045-050	24	54025-004	32	92009-1403	3	92022-263	31	92049-1001	10	92072-039	17
35024-A001	20	43001-1039	25	56001-1439	26	92009-1464	41	92022-266	7	92049-1069	27	92072-045	17
36001-A009-??	33	43005-030	25	56001-1440	26	92009-1547	38	92022-271	7	92049-1240	10	92072-1007	29
36001-A010-??	33	43007-1012	23	56007-1283	40	92009-1717	26	92022-272	7	92049-1249	11	92074-004	33
36014-A002-B1	33	43007-1027	25	56007-A001-B1	44	92009-1782	34	92022-273	7	92049-1250	11	92075-101	28
36014-A003-B1	33	43011-A004	25	56007-A001-R1	44	92009-1782	41	92022-324	9	92050-010	23	92075-1019	18
39154-A012	41	43012-001	25	56007-A003-B1	44	92009-1785	45	92022-A011	34	92050-011	23	92075-1020	18
39154-A013	41	43049-1018	28	56007-A003-R1	44	92009-1786	45	92022-A017	35	92050-013	10	92075-1171	1
39154-A014	41	44005-A005	27	56007-A004-B1	44	92009-1787	31	92024-003	4	92050-060	24	92075-1172	1
39154-A015	41	44006-A005	27	56007-A004-R1	44	92009-A016	34	92024-030	7	92050-071	6	92075-1581	31
41002-A012	22	44013-1038	27	56007-A005-B1	44	92009-A022	35	92026-1002	13	92051-003	11	92075-1690	35
41009-1066	22	44022-1039	27	56007-A005-R1	44	92009-A025	36	92026-1016	13	92055-004	23	92075-173	28
41022-1014	22	44026-1053	27	56014-A032	39	92011-003	8	92026-1136	4	92055-004	24	92076-020	18
41022-1048	22	44029-1017	27	56014-A033	39	92015-006	4	92027-1031	18	92055-010	11	92076-A004	19
41023-1012	22	44029-1018	27	56018-A330	44	92015-042	25	92027-1054	23	92055-012	11	92077-1056	31
41023-1087	22	44037-A012-AK	27	56046-A920	39	92015-1022	1	92027-121	9	92055-022	7	92081-014	5
41025-1044	22	44039-A006	27	56046-A921	39	92015-1026	12	92027-1245	4	92055-029	11	92081-020	5
41025-A002	22	44041-078	27	56046-A922	39	92015-1078	1	92027-1595	7	92055-1023	28	92081-047	11
41029-021	22	44045-047	27	56046-A923	39	92015-1094	35	92027-162	35	92055-1112	28	92081-096	6
41029-A001	22	44045-051	27	56046-A924	39	92015-1193	20	92027-1729	24	92055-1113	28	92081-1040	29
41030-021	22	44070-A006	27	56046-A925	39	92015-1193	31	92027-285	4	92057-1338	24	92081-112	9
41030-A001	22	44070-A007	27	56046-A926	39	92015-1193	35	92028-069	10	92055-1564	45	92081-1129	9
41032-022	22	45014-1520	18	56046-A927	39	92015-1193	38	92030-012	7	92059-074	29	92081-1175	6
41032-024	22	45016-003	18	56046-A928	39	92015-1193	41	92033-014	7	92059-093	28	92081-1766	23
41038-A013	23	46004-A001	45	56046-A929	39	92015-1193	44	92033-1028	27	92059-1866	13	92081-1766	24
41039-005	23	46004-A004	26	56046-A930	39	92015-1197	26	92033-1060	7	92059-1902	29	92083-004	5
41043-A004	23	46012-A008	26	56046-A931	39	92015-1221	26	92033-1065	6	92060-008	13	92083-012	9
41048-1051	23	46019-A003	26	59031-1009	14	92015-1259	38	92033-1169	5	92061-009	13	92092-006	18
41048-1051	24	46075-A003	26	59051-1044	5	92015-1259	44	92036-005	4	92061-018	13	92093-1019	17
41050-1004	23	46091-1252	26	92001-021	24	92015-1364	18	92036-018	12	92062-017	11	92093-1056	22
41053-005	23	46091-1570	26	92001-1091	28	92015-1382	16	92036-022	13	92063-068	12	92093-1344	31
41053-1024	24	46092-A005	26	92001-121	11	92015-1416	18	92037-068	2	92063-094	12	92093-A005	35
41060-004	23	46092-A006	26	92001-1318	27	92015-1416	25	92037-1132	32	92063-1029	12	92093-A007	31
41060-1001	13	46094-011-21	26	92001-1368	7	92015-1428	36	92037-147	28	92063-1031	12	92143-1537	28
41060-1011	13	46102-1009	12	92001-1426	10	92015-1429	23	92037-1601	28	92063-1035	12	92143-1670	24
41060-1044	23	49006-1032	11	92001-1455	9	92015-1757	41	92037-1601	29	92064-1043	12	92143-1673	34
41062-005	23	49016-1011	23	92001-1704	26	92015-1921	34	92037-A024	36	92065-058	10	92143-1674	9
41063-001	23	51001-1512-??	28	92001-1705	28	92015-1922	34	92038-003	4	92066-1117	10	92144-1720	34
41064-009	23	51023-1051	28	92001-1910	26	92016-062	2	92042-017	11	92066-A013	42	92144-1751	34
41068-1355	23	51048-1017	28	92002-1072	17	92020-014	18	92042-042	8	92066-A014	17	92150-1450	9
41068-1369	24	51049-1004	29	92002-1076	18	92022-A018	45	92042-043	6	92066-A015	31	92150-1872	25
41072-007	23	52001-1008	29	92002-1200	20	92022-037	13	92043-013	5	92066-A016	43	92150-1873	25
41072-007	24	52005-1012	29	92002-1232	35	92022-077	11	92043-039	25	92067-001	10	92150-1890	34
41082-001	23	52005-1029	28	92002-1237	9	92022-085	25	92043-075	5	92069-057	35	92160-1306	37
41085-003	23	53001-A028	30	92002-1251	9	92022-1213	6	92043-080	18	92069-1007	31	92160-1464	34
41085-013	24	53009-1009	28	92004-1137	1	92022-125	35	92043-127	28	92069-1059	31	92160-1469	31
42009-A006	24	53044-1300	45	92009-1091	33	92022-125	38	92043-1322	10	92069-1074	34	92160-A006	30
42010-037	24	53044-1301	45	92009-1134	26	92022-1269	24	92045-1039	10	92069-1088	36	92170-1688	34
42014-030	24	53044-A010	41	92009-1150	26	92022-1394	31	92045-1118	10	92070-053	15	92190-1106	21
42016-A006	24	54001-A011	32	92009-1158	31	92022-146	7	92045-1278	10	92071-038	28	92200-1120	18