



Catálogo de Partes



AN110-J4/L4

For Thailand Market

Motorcycle Parts Catalog

PREFACIO

Es nuestro placer presentarles a ustedes el Catálogo de Partes.

Este Catálogo ha sido especialmente diseñado para ayudarle en la selección de las partes correctas con el fin de mantener el vehículo en las mejores condiciones.

Los repuestos originales están sujetos a un exigente estándar de control de calidad, por lo tanto es necesario que usted sólo use repuestos originales.

En nuestro constante esfuerzo para mejorar la eficiencia y desempeño de su vehículo, las especificaciones, diagramas y número de partes pueden cambiar sin previo aviso. Consecuentemente las descripciones de los repuestos en este Catálogo pueden no ser las finales y definitivas.

Las alteraciones y modificaciones que ocurren en la impresión de este Catálogo, serán informadas a nuestra red, a través de circulares de Servicio. Es requisito que usted actualice su Catálogo y haga las correcciones necesarias, una vez reciba dichas circulares. Lo anterior le asegurará un rápido y adecuado despacho de sus partes, pues las órdenes están siendo diligenciadas con las referencias más actualizadas.

En caso de necesitar asistencia técnica, comunicarse con el Distribuidor Autorizado o llamar al Departamento de Servicios Auteco-Kawasaki.

This catalog covers:

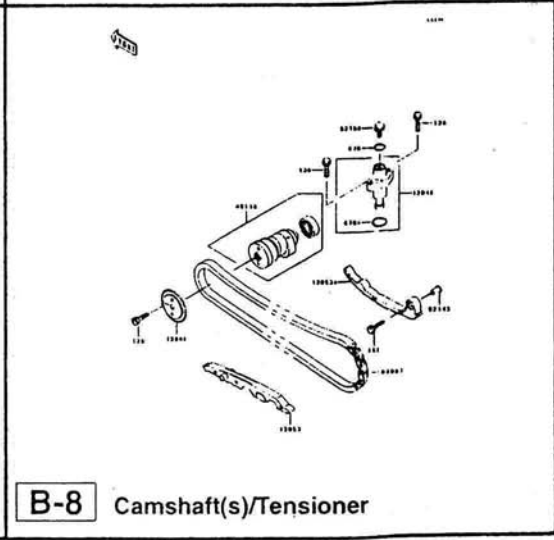
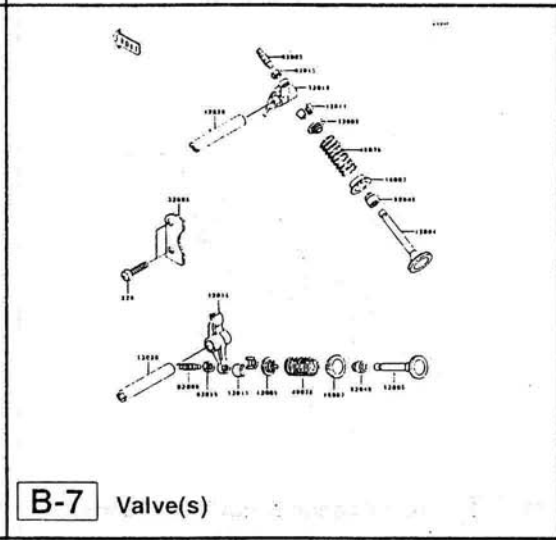
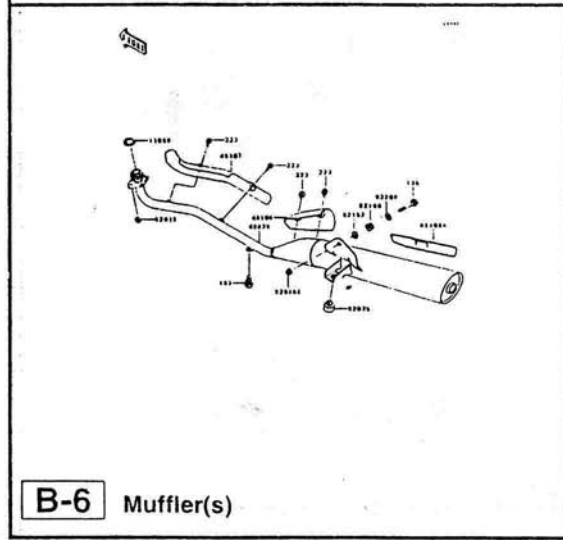
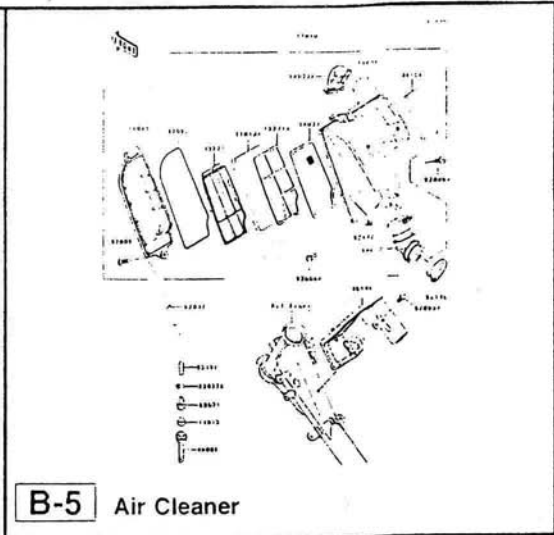
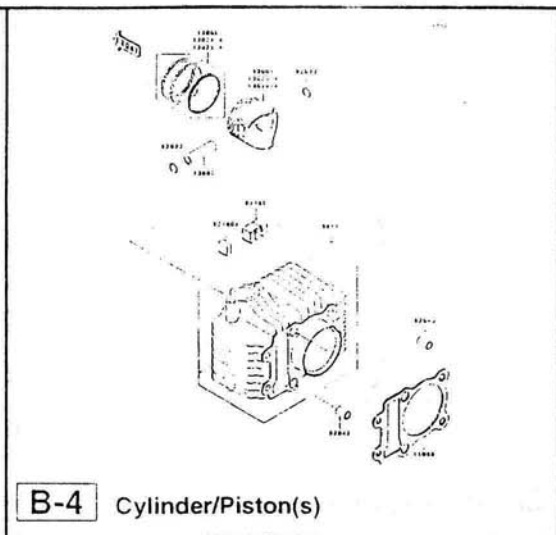
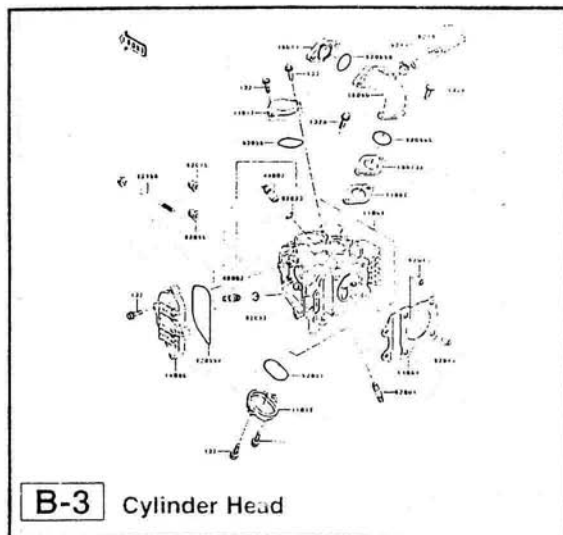
'01 AN110-J4/L4

Air Cleaner.....	B-5
Battery Case.....	D-4
Brake Pedal.....	D-12
Cables.....	E-8
Camshaft(s).....	B-8
Carburetor.....	C-5
Carrier(s).....	E-6
Chain Cover.....	E-9
Chassis Electrical Equipment.....	F-3
Clutch.....	B-11
Crankcase.....	C-3
Crankshaft.....	B-9
Cylinder.....	B-4
Cylinder Head.....	B-3
Decals(Blue).....	F-7
Decals(Boulogne).....	F-9
Decals(Red).....	F-8
Engine Cover(s).....	C-4
Fenders.....	D-7
Footrests.....	D-6
Frame.....	D-3
Front Fork.....	E-3
Front Hub.....	D-10
Fuel Tank.....	E-4
Gear Change Drum.....	B-13
Gear Change Mechanism.....	B-14
Generator.....	C-7

This grid covers:

Part Name Index

Handlebar.....	D-13/D-14
Headlight(s).....	E-12
Ignition Switch.....	F-4
Ignition System.....	C-8
Kickstarter Mechanism.....	B-10
Labels.....	F-6
Leg Shield.....	E-10/E-11
Meter(s).....	E-7
Muffler(s).....	B-6
Oil Pump.....	C-6
Owner's Tools.....	F-5
Piston(s).....	B-4
Rear Hub.....	D-11
Seat.....	E-5
Shift Fork(s).....	B-13
Shock Absorber.....	D-5
Side Covers.....	E-9
Stand(s).....	D-8
Starter Motor(AN110-L4).....	C-9
Swingarm.....	D-5
Taillight(s).....	E-13
Tensioner.....	B-8
Tires.....	D-9
Transmission.....	B-12
Turn Signals.....	E-14
Valve(s).....	B-7



This catalog covers:

'01 AN110-J4/L4 Engine

GRID NO.

C-1

This grid covers:

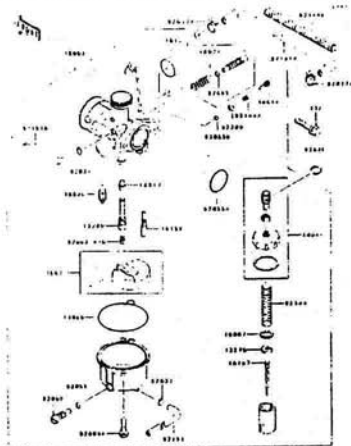
Pictorial Index



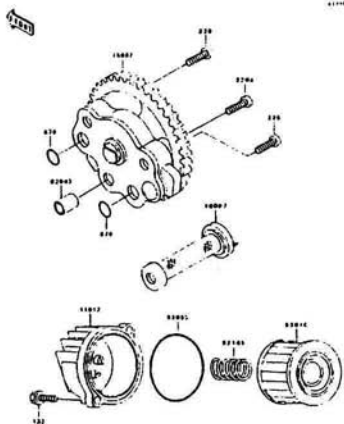
C-3 Crankcase



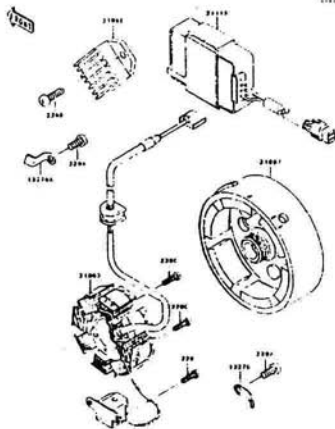
C-4 Engine Cover(s)



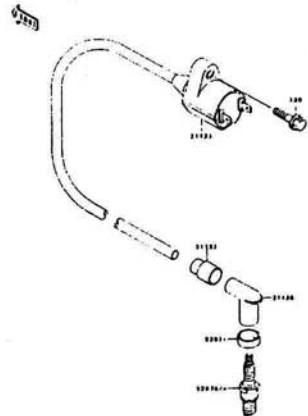
C-5 Carburetor



C-6 Oil Pump



C-7 Generator



C-8 Ignition System

This catalog covers:

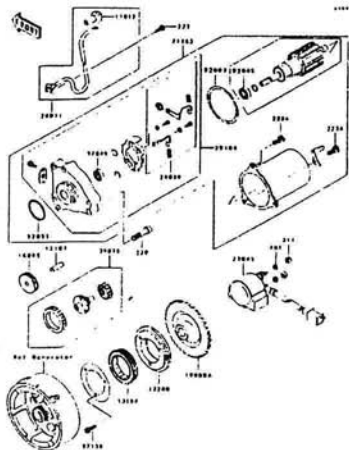
'01 AN110-J4/L4 Engine

GRID NO.

C-2

This grid covers:

Pictorial Index



C-9 Starter Motor(AN110-L4)

This catalog covers:

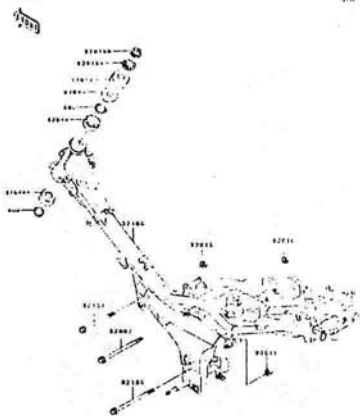
'01 AN110-J4/L4 Chassis

GRID NO.

D-1

This grid covers:

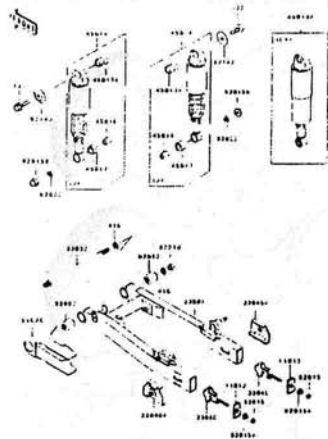
Pictorial Index



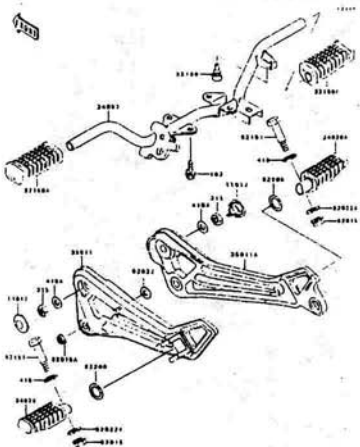
D-3 Frame



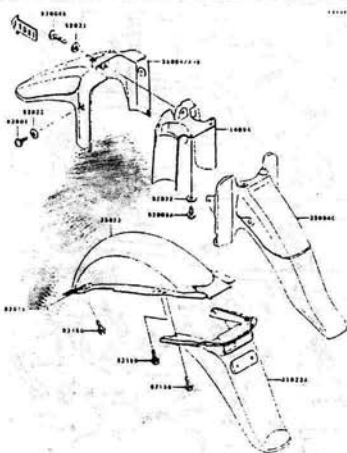
D-4 Battery Case



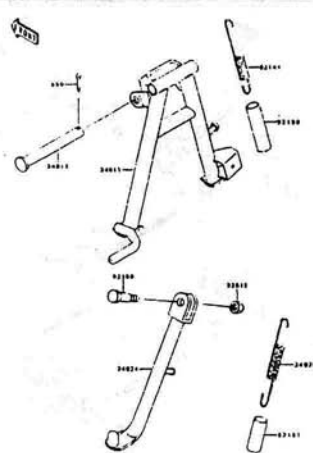
D-5 Swingarm/Shock Absorber



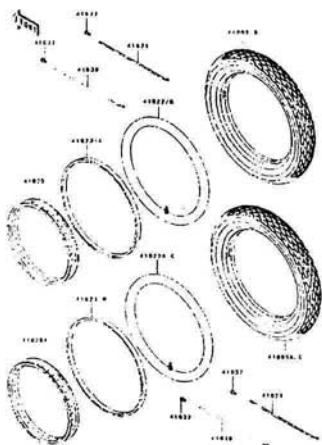
D-6 Footrests



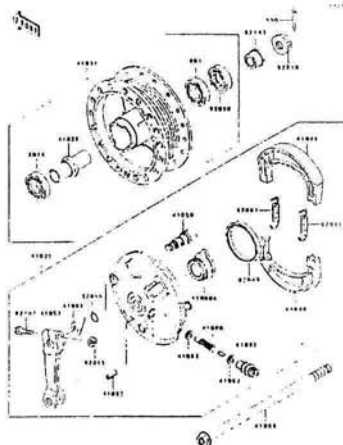
D-7 Fenders



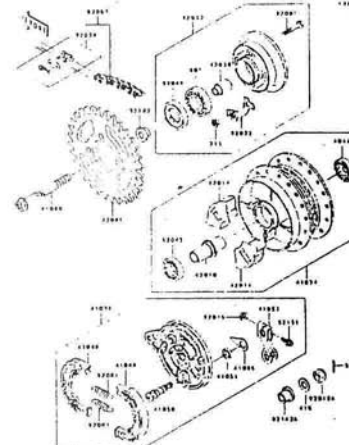
D-8 Stand(s)



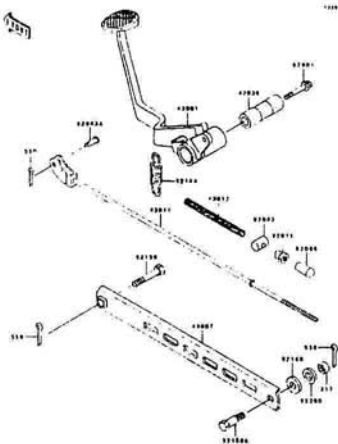
D-9 Tires



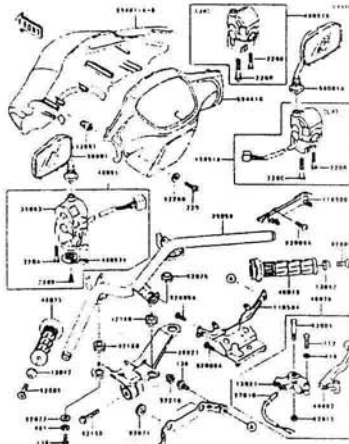
D-10 Front Hub



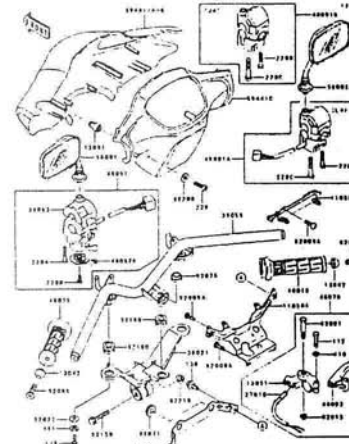
D-11 Rear Hub



D-12 Brake Pedal



D-13 Handlebar(1/2)



D-14 Handlebar(2/2)

This catalog covers:

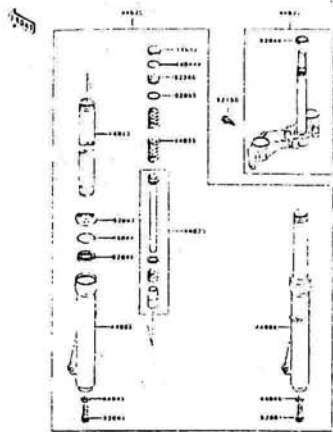
'01 AN110-J4/L4 Chassis

GRID NO.

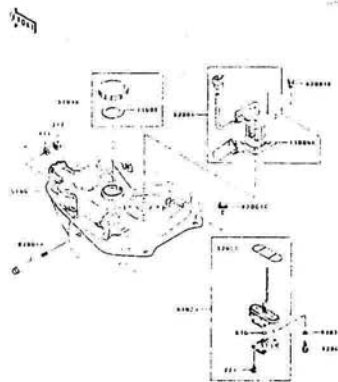
E-1

This grid covers:

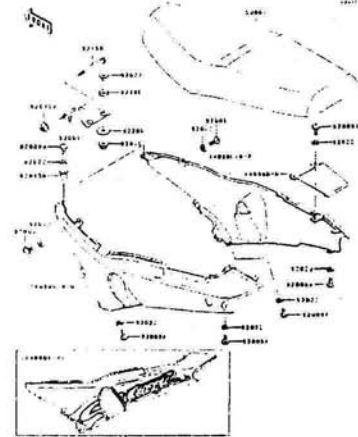
Pictorial Index



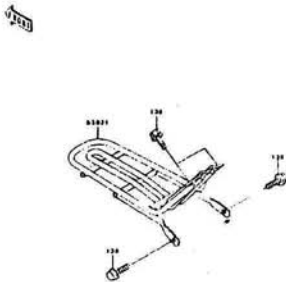
E-3 Front Fork



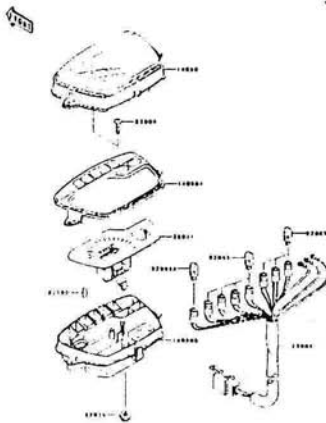
E-4 Fuel Tank



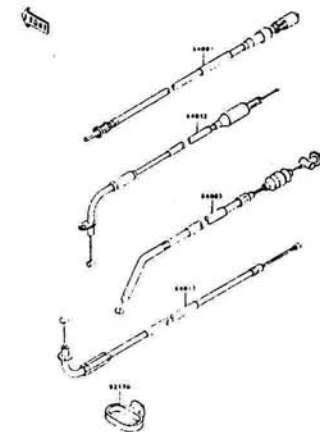
E-5 Seat



E-6 Carrier(s)



E-7 Meter(s)



E-8 Cables

This catalog covers:

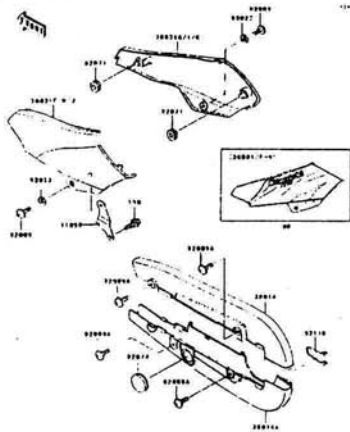
'01 AN110-J4/L4 Chassis

GRID NO.

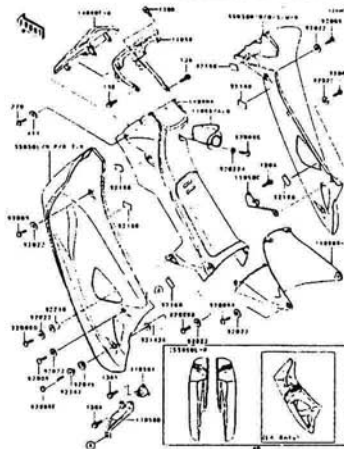
E-2

This grid covers:

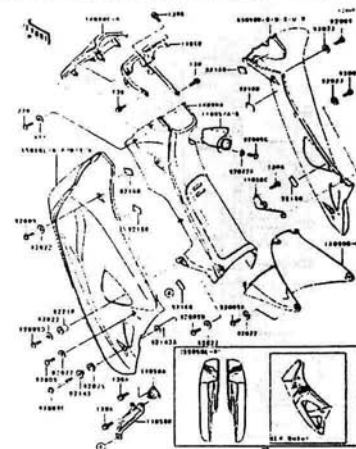
Pictorial Index



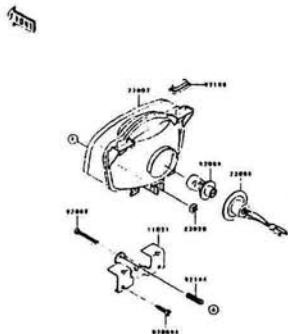
E-9 Side Covers/Chain Cover



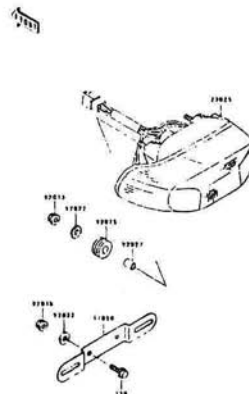
E-10 Leg Shield(1/2)



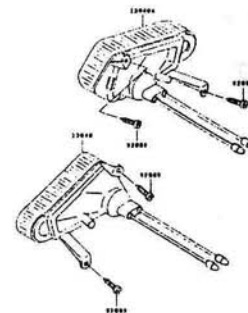
E-11 Leg Shield(2/2)



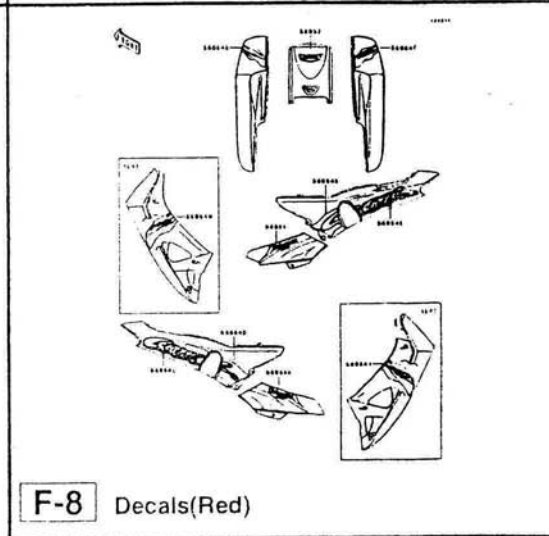
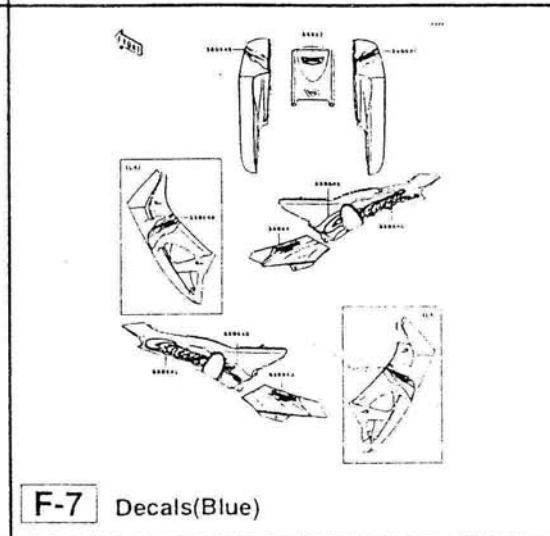
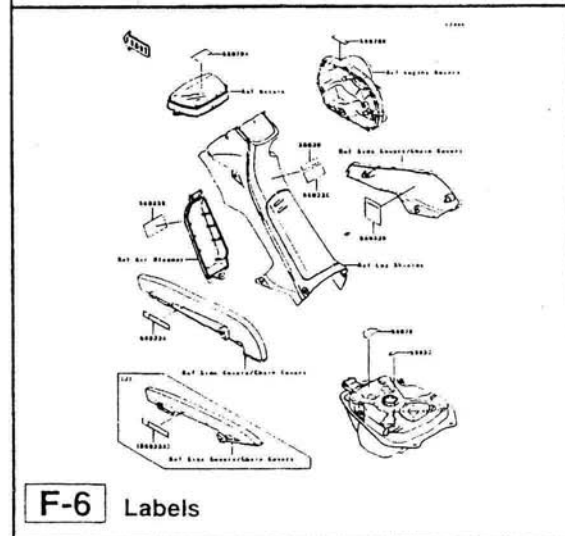
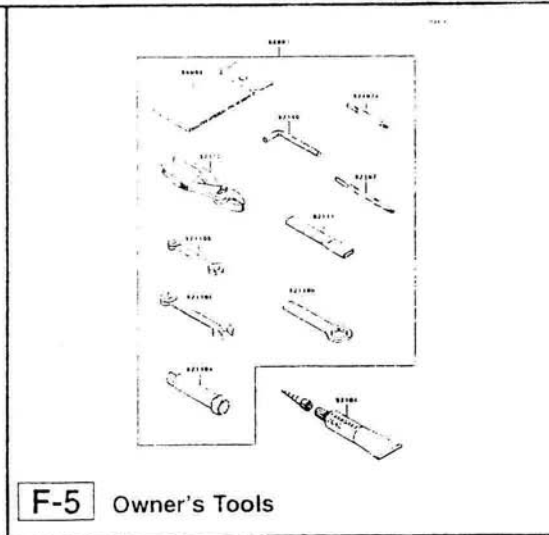
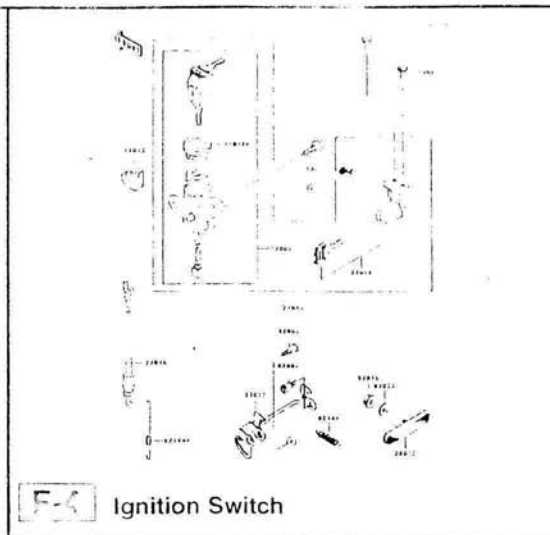
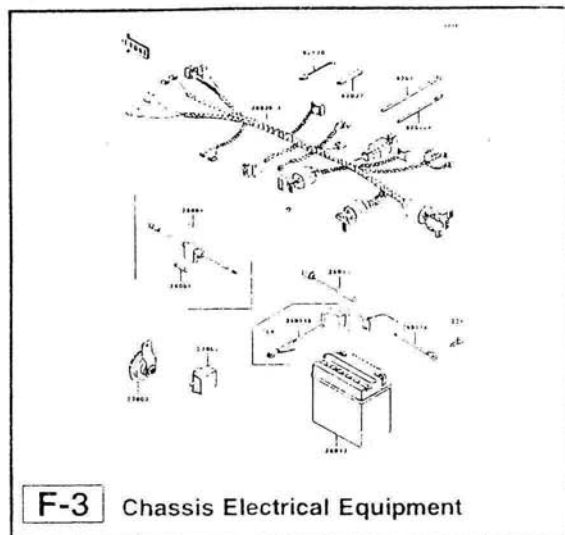
E-12 Headlight(s)



E-13 Taillight(s)



E-14 Turn Signals



This catalog covers:

'01 AN110-J4/L4 Engine

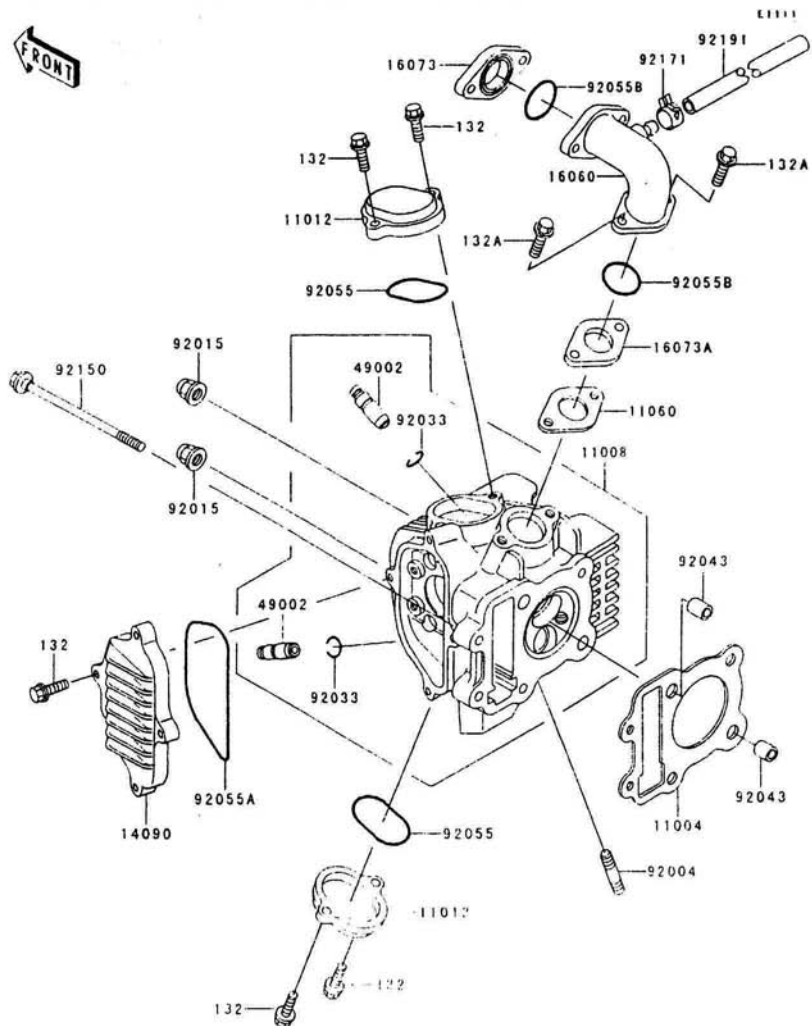
GHID NO.

B-3

This grid covers:

Cylinder Head

FRONT



Ref. No.	Part No.	Description	Spec Code	Quantity-AN110			
				'01	'01	J4	L4
11004	11004-1338	GASKET-HEAD		1	1		
11008	11008-1354	HEAD-COMP-CYLINDER		1	1		
11012	11012-1303	CAP-VALVE ADJUSTING		2	2		
11060	11060-1794	GASKET,INTAKE PIPE		1	1		
14090	14090-1845	COVER,CAMSHAFT		1	1		
16060	16060-1079	PIPE-INTAKE		1	1		
16073	16073-1102	INSULATOR,CARBURETOR		1	1		
16073A	16073-1108	INSULATOR,HEAD		1	1		
49002	49002-1130	GUIDE-VALVE		AR	AR		
92004	92004-1234	STUD		2	2		
92015	92015-1151	NUT,CAP,8MM		4	4		
92033	92033-1247	RING-SNAP		2	2		
92043	92043-1264	PIN,8 2X10X14		2	2		
92055	92055-1231	RING-O,ADJUST CAP		2	2		
92055A	92055-1527	RING-O,91X2.5		1	1		
92055B	92055-1528	RING-O,25 5X2.0		2	2		
92150	92150-1761	BOLT,6X106		2	2		
92171	92171-1051	CLAMP		2	2		
92191	92191-1161	TUBE,4.5X9 5X470		1	1		
132	132Y0620	BOLT-FLANGED-SMALL		8	8		
132A	132Y0630	BOLT-FLANGED-SMALL		2	2		

This catalog covers:

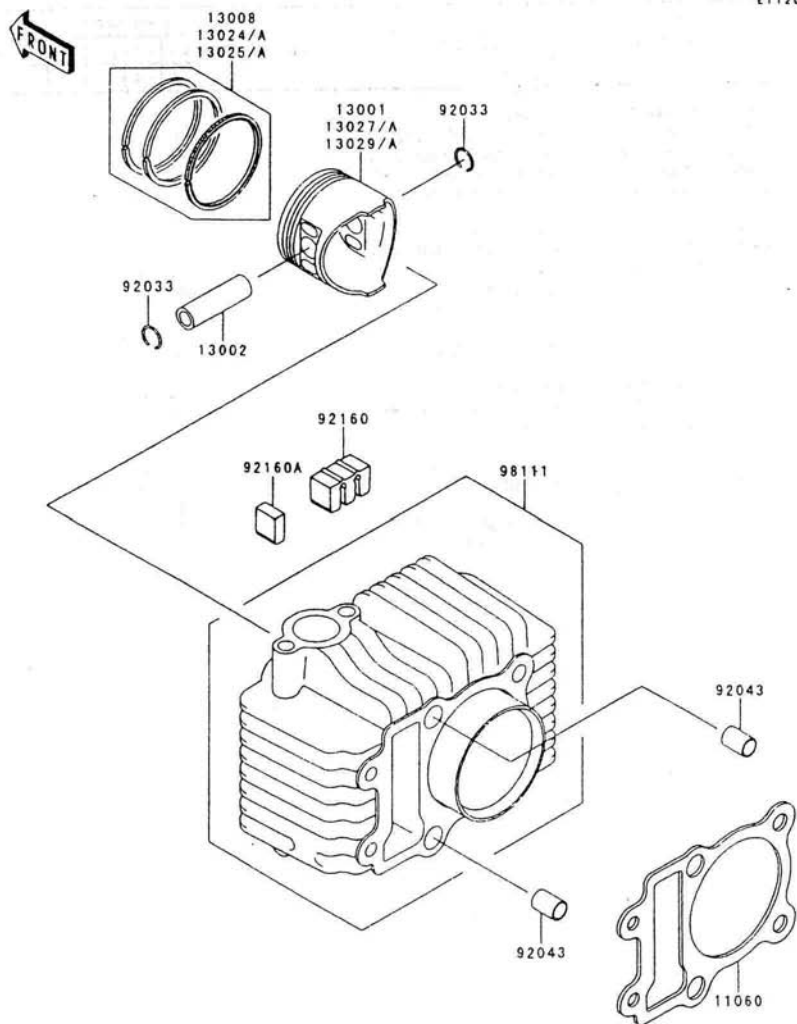
'01 AN110-J4/L4 Engine

GRID NO.

B-4

This grid covers:

Cylinder/Piston(s)



Ref. No.	Part No.	Description	Spec Code	Quantity-AN110			
				'01	'01		
				J4	L4		
11060	11060-1796	GASKET,CYLINDER BASE		1	1		
13001	13001-1512	PISTON-ENGINE,STD		1	1		
13002	13002-1110	PIN-PISTON		1	1		
13008	13008-1189	RING-SET-PISTON,STD		1	1		
13024	13024-1119	RING-SET-PISTON LL,O/S 1.00		1	1		
13024A	13024-1120	RING-SET-PISTON LL,O/S 0.75		1	1		
13025	13025-1148	RING-SET-PISTON L,O/S 0.50		1	1		
13025A	13025-1149	RING-SET-PISTON L,O/S 0.25		1	1		
13027	13027-1198	PISTON-ENGINE LL,O/S 1.00		1	1		
13027A	13027-1199	PISTON-ENGINE LL,O/S 0.75		1	1		
13029	13029-1255	PISTON-ENGINE L,O/S 0.50		1	1		
13029A	13029-1256	PISTON-ENGINE L,O/S 0.25		1	1		
92033	92033-1072	RING-SNAP		2	2		
92043	92043-1264	PIN,8.2X10X14		2	2		
92160	92160-1859	DAMPER		4	4		
92160A	92160-1860	DAMPER		7	7		
98111	98111-1071	CYLINDER-COMP-ENGINE		1	1		

This catalog covers:

'01 AN110-J4/L4 Engine

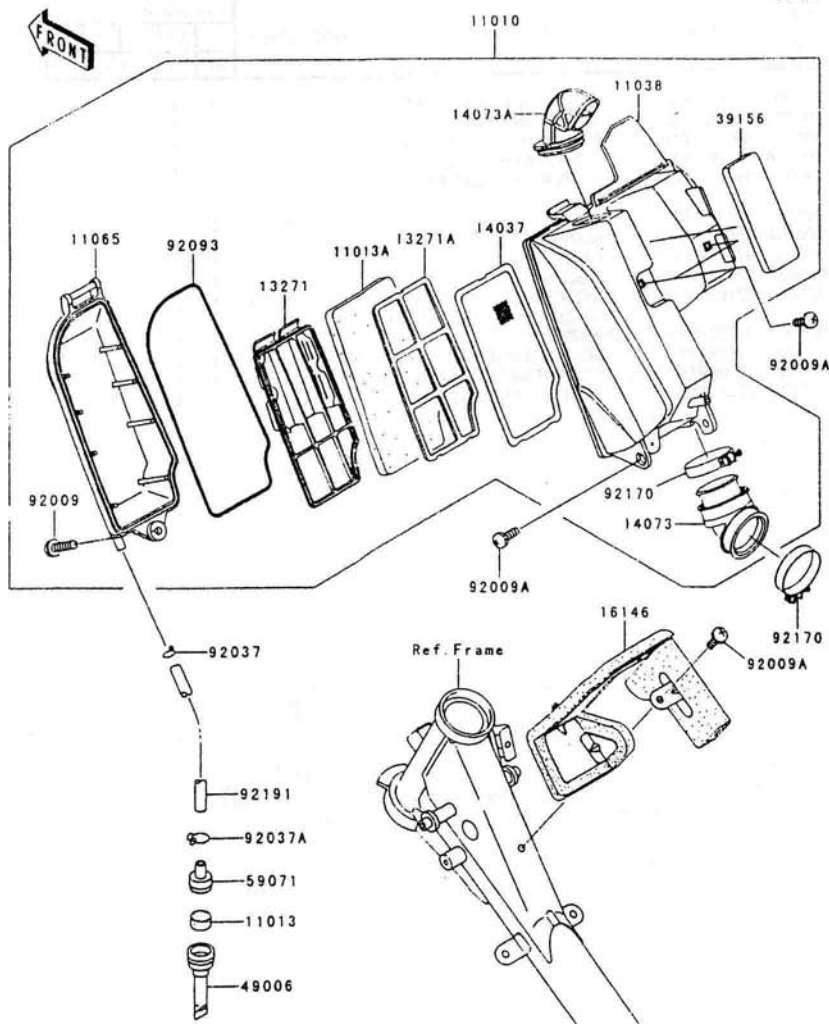
GRID NO.

This grid covers:

B-5

Air Cleaner

E1130



Ref. No.	Part No.	Description	Spec Code	Quantity-AN110			
				'01	J4	L4	
11010	11010-1739	FILTER-ASSY-AIR		1	1		
11013	11013-1245	ELEMENT-AIR FILTER		1	1		
11013A	11013-1267	ELEMENT-AIR FILTER		1	1		
11038	11038-1124	CASE-ASSY-AIR FILTER		1	1		
11065	11065-1064	CAP,AIR FILTER		1	1		
13271	13271-1500	PLATE		1	1		
13271A	13271-1501	PLATE		1	1		
14037	14037-1240	SCREEN		1	1		
14073	14073-1695	DUCT,OUTLET		1	1		
14073A	14073-1696	DUCT,INLET		1	1		
16146	16146-1189	COVER-ASSY		1	1		
39156	39156-1590	PAD		1	1		
49006	49006-1223	BOOT,DRAIN		1	1		
59071	59071-1127	JOINT,DRAIN		1	1		
92009	92009-1400	SCREW,6X28,BLACK		1	1		
92009A	92009-1729	SCREW,6X10		4	4		
92037	92037-1712	CLAMP		1	1		
92037A	92037-1972	CLAMP,TUBE		1	1		
92093	92093-1438	SEAL		1	1		
92170	92170-1848	CLAMP		2	2		
92191	92191-1147	TUBE,7X10X270		1	1		

This catalog covers:

'01 AN110-J4/L4 Engine

GRID NO.

B-6

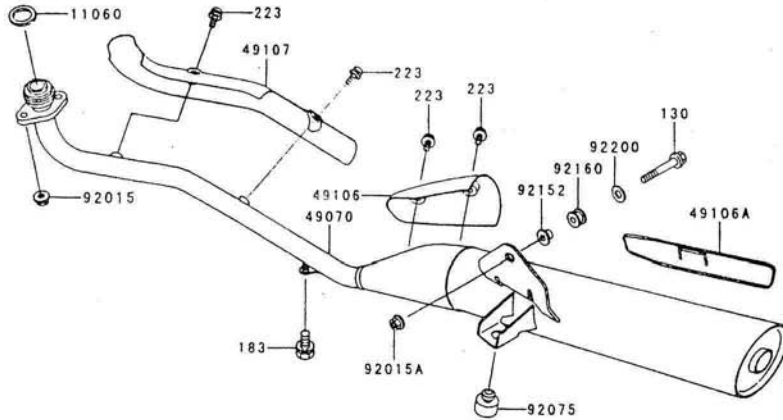
This grid covers:

Muffler(s)



E1140

Ref. No.	Part No.	Description	Spec Code	Quantity-AN110			
				'01	'01	J4	L4
11060	11060-1843	GASKET,EXHAUST PIPE		1	1		
49070	49070-1160	MUFFLER-COMP		1	1		
49106	49106-1218	COVER-MUFFLER,BODY		1	1		
49106A	49106-1239	COVER-MUFFLER		1	1		
49107	49107-1121	COVER-EXHAUST PIPE		1	1		
92015	92015-1331	NUT		2	2		
92015A	92015-1402	NUT,8MM		1	1		
92075	92075-015	DAMPER		1	1		
92152	92152-1104	COLLAR		1	1		
92160	92160-1116	DAMPER		1	1		
92200	92200-1446	WASHER		1	1		
130	130Y0835	BOLT-FLANGED		1	1		
183	183H0816	BOLT-UPSET-WS-SMALL		1	1		
223	223X0610	SCREW-PAN-WS-CROS		4	4		



This catalog covers:

'01 AN110-J4/L4 Engine

GRID NO.

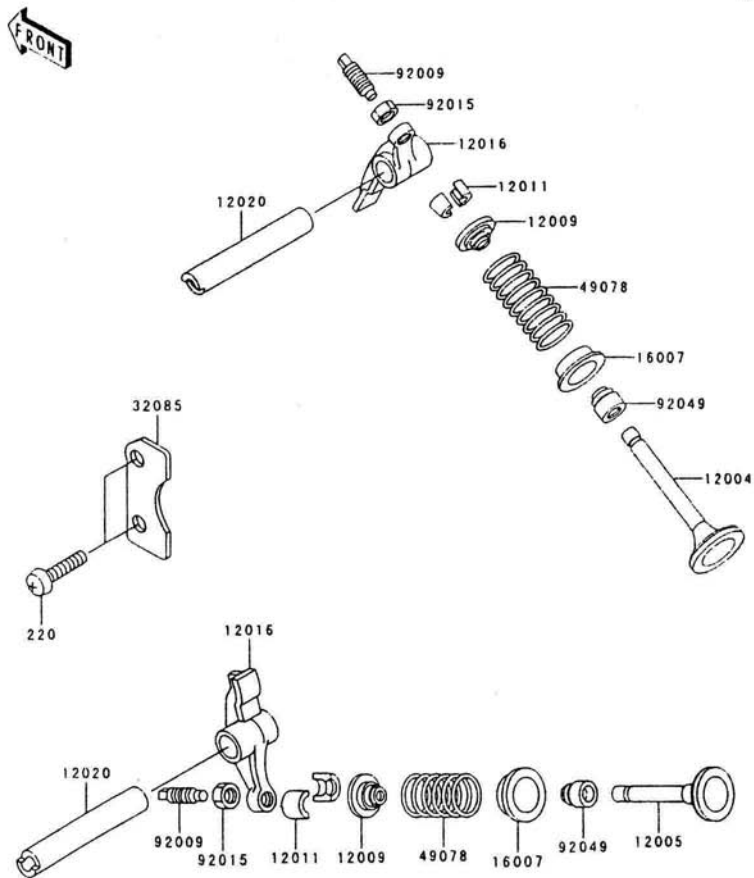
B-7

This grid covers:

Valve(s)

E1210

Ref. No.	Part No.	Description	Spec Code	Quantity-AN110			
				'01	'01		
				J4	L4		
12004	12004-1128	VALVE-INTAKE	1	1			
12005	12005-1278	VALVE-EXHAUST	1	1			
12009	12009-1073	RETAINER-VALVE SPRING-EXHAUST	2	2			
12011	12011-1053	COLLET	4	4			
12016	12016-1003	ARM-ROCKER	2	2			
12020	12020-1073	SHAFT-ROCKER	2	2			
16007	16007-1187	SEAT-SPRING-VALVE	2	2			
32085	32085-1428	STOPPER	1	1			
49078	49078-1151	SPRING-ENGINE VALVE	2	2			
92009	92009-1109	SCREW-VALVE ADJUST	2	2			
92015	92015-1137	NUT-VALVE ADJUST LOCK	2	2			
92049	92049-1349	SEAL-OIL	2	2			
220	220B0614	SCREW-PAN-CROS.6X14	2	2			



This catalog covers:

'01 AN110-J4/L4 Engine

GRID NO.

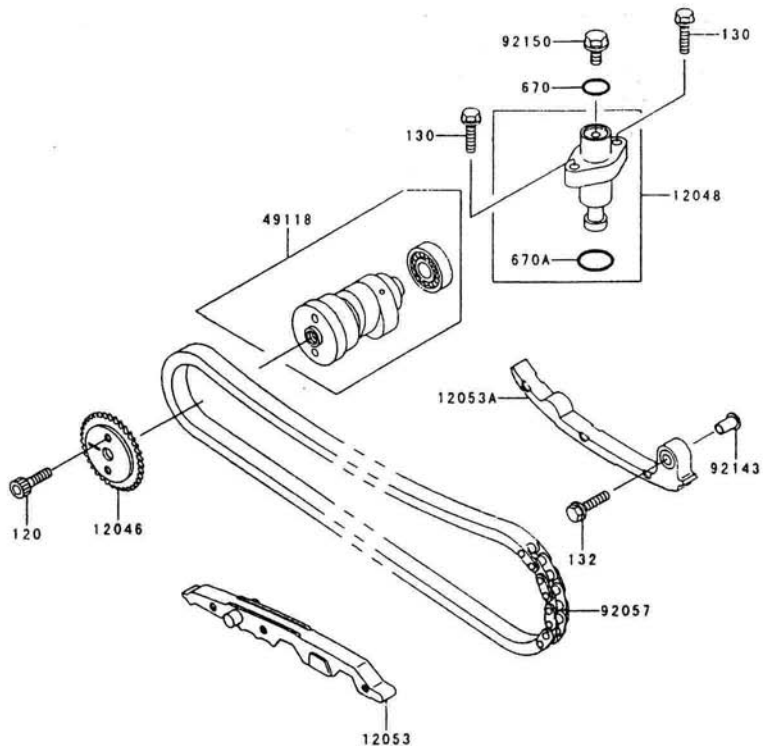
B-8

This grid covers:

Camshaft(s)/Tensioner

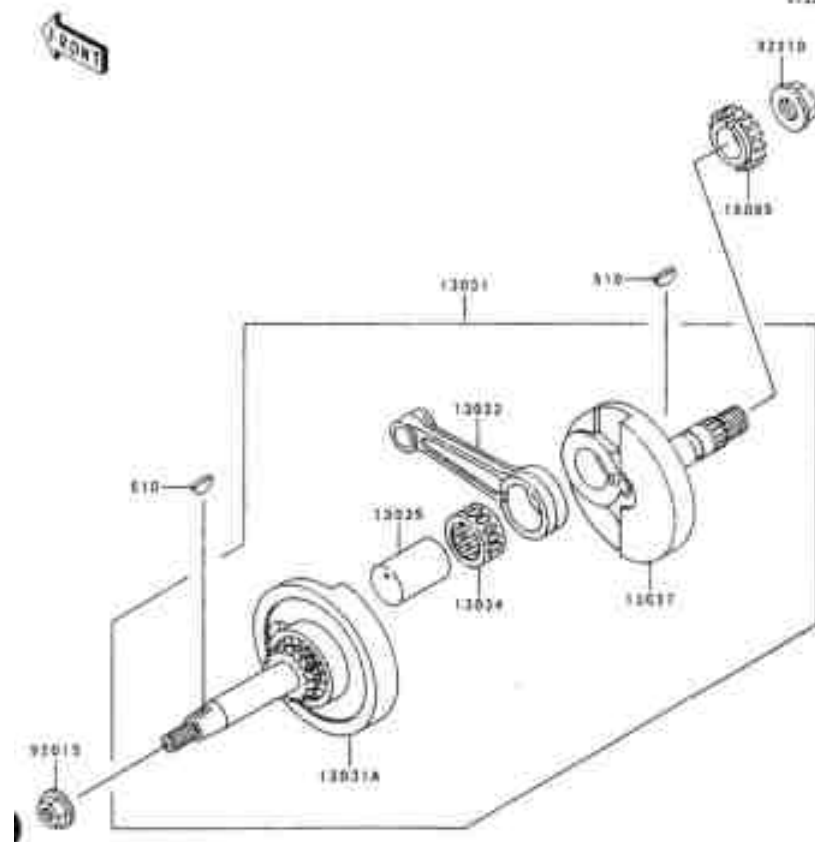


E1230



Ref. No.	Part No.	Description	Spec Code	Quantity-AN110			
				'01 J4	'01 L4		
12046	12046-1187	SPROCKET,CAM CHAIN,36T		1	1		
12048	12048-1164	TENSIONER-ASSY		1	1		
12053	12053-1396	GUIDE-CHAIN,TIGHT		1	1		
12053A	12053-1397	GUIDE-CHAIN,LOOSE		1	1		
49118	49118-1171	CAMSHAFT-COMP		1	1		
92057	92057-1449	CHAIN,CAM		1	1		
92143	92143-1857	COLLAR		1	1		
92150	92150-1380	BOLT,TENSIONER		1	1		
120	120P0612	BOLT-SOCKET,6X12		2	2		
130	.130Y0625	BOLT-FLANGED		2	2		
132	132G0625	BOLT-FLANGED-SMALL		1	1		
670	670D2010	O RING		1	1		
670A	670D2021	O RING,21MM		1	1		

61223



Ref. No.	Part No.	Description	Spec Code	Quantity AN110			
				J4	L4		
13031	13031-1432	CRANKSHAFT-COMP		1	1		
13031A	13031-1462	CRANKSHAFT-COMP LH		1	1		
13032	13032-1050	ROD-CONNECTING		1	1		
13034	13034-1100	BEARING-BIG END-B4		1	1		
13035	13035-1083	PIV-CRANK		1	1		
13037	13037-1481	CRANKSHAFT,RH		1	1		
16085	16085-1367	GEAR OIL PUMP26T		1	1		
92015	92015-077	NUT-FLANGED,10MM		1	1		
92010	92010-1163	NUT 14MM		1	1		
510	510A3209	KEY-WOODRUFF		2	2		

This catalog covers:

'01 AN110-J4/L4 Engine

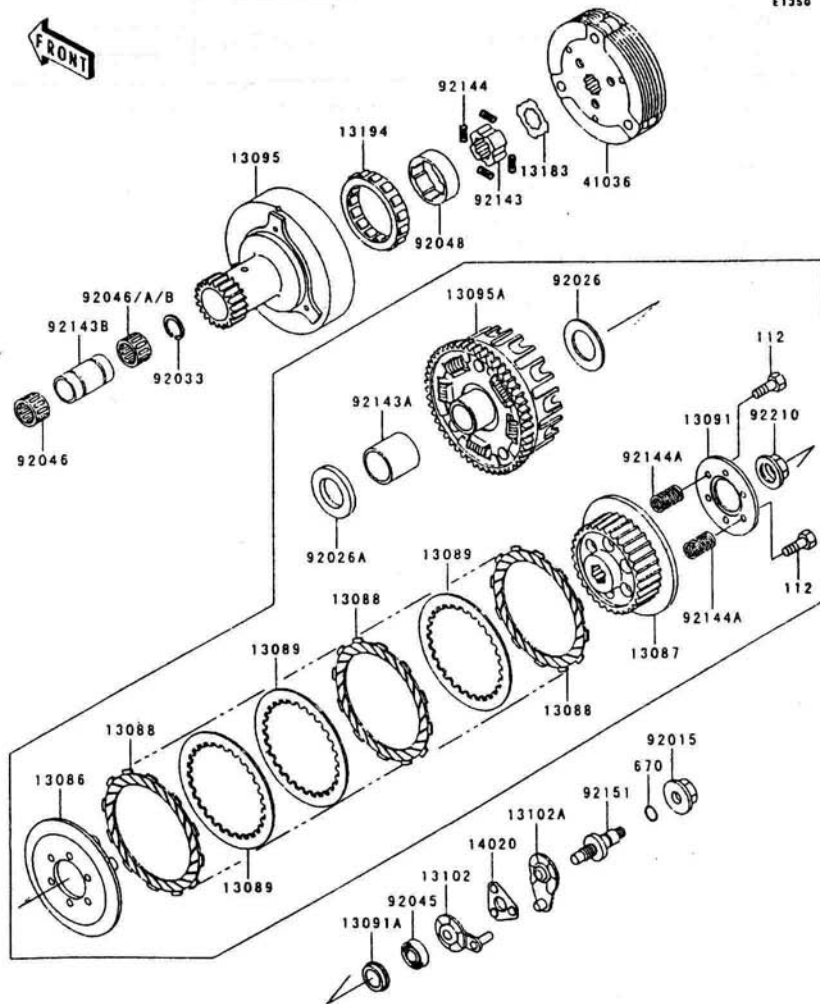
GRID NO.

This grid covers:

B-11

Clutch

E1350



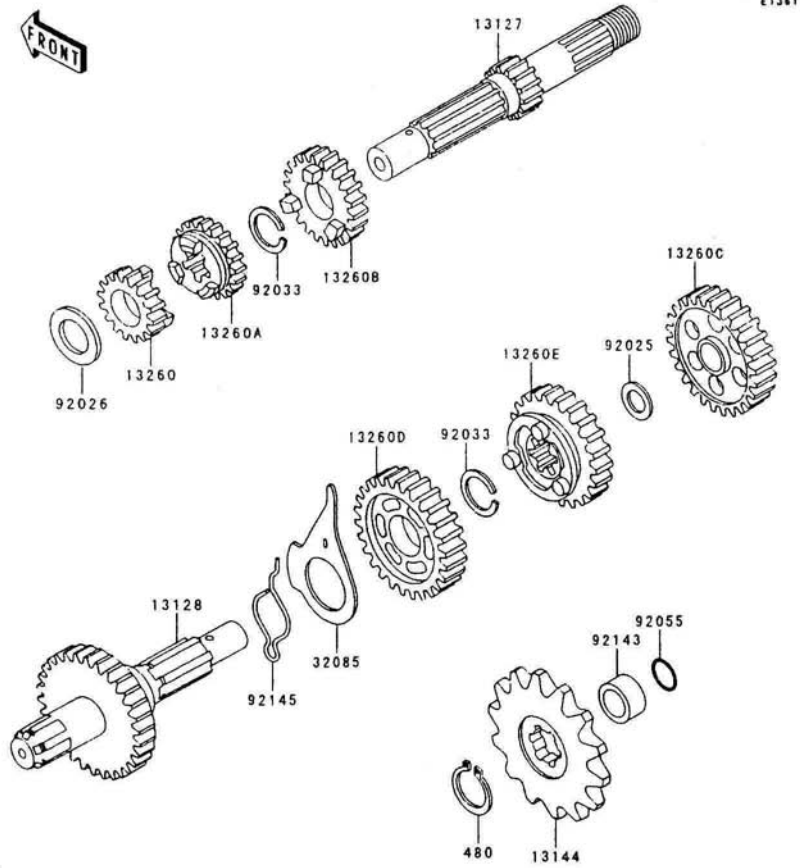
Ref. No.	Part No.	Description	Spec Code	Quantity-AN110			
				'01 J4	'01 L4		
13086	13086-1065	WHEEL-CLUTCH		1	1		
13087	13087-1151	HUB-CLUTCH		1	1		
13088	13088-1111	PLATE-FRICTION		5	5		
13089	13089-1087	PLATE-CLUTCH		4	4		
13091	13091-1782	HOLDER,CLUTCH		1	1		
13091A	13091-1787	HOLDER		1	1		
13095	13095-1309	HOUSING-COMP-CLUTCH		1	1		
13095A	13095-1349	HOUSING-COMP-CLUTCH		1	1		
13102	13102-1135	RELEASE-COMP-CLUTCH		1	1		
13102A	13102-1136	RELEASE-COMP-CLUTCH		1	1		
13183	13183-1480	PLATE		1	1		
13194	13194-1103	CLUTCH-ONEWAY		1	1		
14020	14020-1100	RETAINER		1	1		
41036	41036-1153	HUB-ASSY,CLUTCH		1	1		
92015	92015-1183	NUT,FLANGED,8MM,BLACK		1	1		
92026	92026-1415	SPACER,17.3X30X2.0		1	1		
92026A	92026-1464	SPACER		1	1		
92033	92033-1240	RING-SNAP		1	1		
92045	92045-1123	BEARING-BALL,#628		1	1		
92046	92046-1223	BEARING-NEEDLE,BLUE		2	2		
92046A	92046-1224	BEARING-NEEDLE,RED		1	1		
92046B	92046-1225	BEARING-NEEDLE,WHITE		1	1		
92048	92048-1074	RACE		1	1		
92143	92143-1651	COLLAR		1	1		
92143A	92143-1665	COLLAR		1	1		
92143B	92143-1696	COLLAR		1	1		
92144	92144-1556	SPRING		4	4		
92144A	92144-1880	SPRING,CLUTCH		6	6		
92151	92151-1069	BOLT,CLUTCH RELEASE		1	1		
92210	92210-1163	NUT,14MM		1	1		
112	112G0520	BOLT-UPSET		6	6		
670	670B1508	O RING,8MM		1	1		

This catalog covers:

'01 AN110-J4/L4 Engine

GRID NO. This grid covers:

B-12 Transmission



E1381

Ref. No.	Part No.	Description	Spec Code	Quantity-AN110			
				'01	'01		
				J4	L4		
13127	13127-1279	SHAFT-TRANSMISSION INPUT,11T		1	1		
13128	13128-1244	SHAFT-TRANSMISSION OUTPUT		1	1		
13144	13144-1186	SPROCKET-OUTPUT,14T		1	1		
13260	13260-1856	GEAR,INPUT 2ND,16T		1	1		
13260A	13260-1857	GEAR,INPUT 3RD,20T		1	1		
13260B	13260-1858	GEAR,INPUT TOP,23T		1	1		
13260C	13260-1859	GEAR,OUTPUT LOW,36T		1	1		
13260D	13260-1860	GEAR,OUTPUT 3RD,27T		1	1		
13260E	13260-1861	GEAR,OUTPUT TOP,25T		1	1		
32085	32085-1515	STOPPER		1	1		
92025	92025-1280	SHIM		1	1		
92026	92026-1091	SPACER		1	1		
92033	92033-1060	RING-SNAP,17MM		2	2		
92055	92055-1235	RING-O,16.8MM		1	1		
92143	92143-1660	COLLAR,SPROCKET		1	1		
92145	92145-1381	SPRING		1	1		
480	480J1700	CIRCLIP-TYPE-C,17MM		1	1		

This catalog covers:

'01 AN110-J4/L4 Engine

GRID NO.

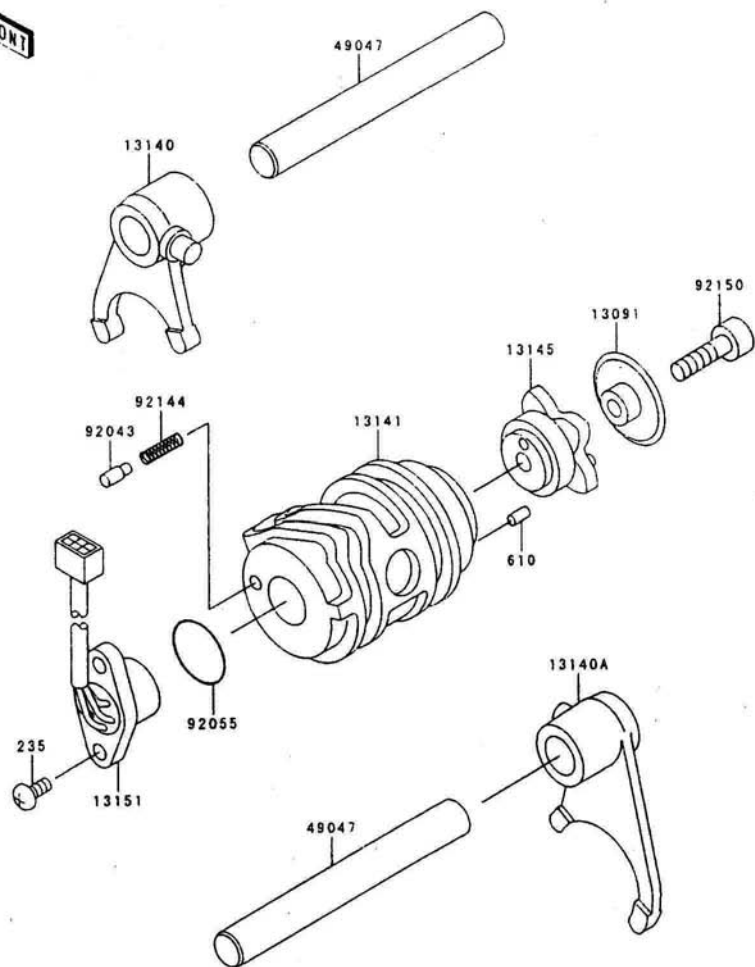
B-13

This grid covers:

Gear Change Drum/Shift Fork(s)

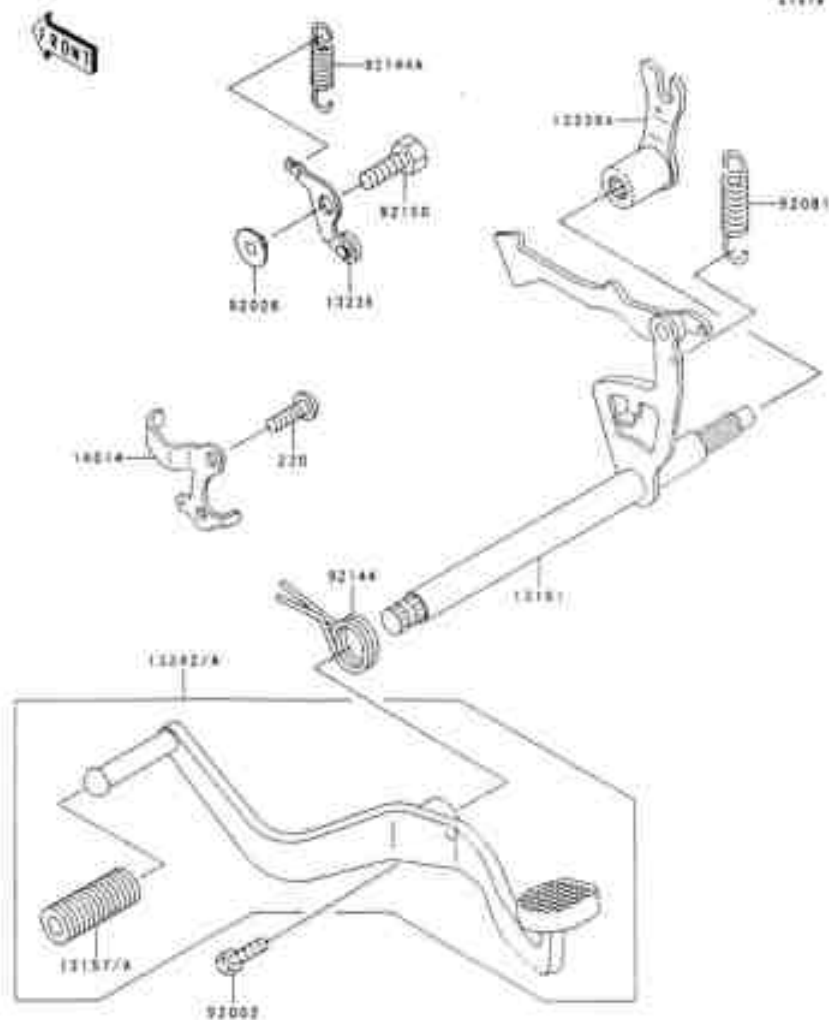
E1362

FRONT



Ref. No.	Part No.	Description	Spec Code	Quantity-AN110			
				'01	'01	J4	L4
13091	13091-1086	HOLDER		1	1		
13140	13140-1263	FORK-SHIFT		1	1		
13140A	13140-1289	FORK-SHIFT		1	1		
13141	13141-1222	DRUM-CHANGE		1	1		
13145	13145-1081	CAM-CHANGE DRUM		1	1		
13151	13151-1070	SWITCH-COMP,NEUTRAL		1	1		
49047	49047-1058	ROD-SHIFT		2	2		
92043	92043-1385	PIN		1	1		
92055	92055-091	RING-O		1	1		
92144	92144-1245	SPRING		1	1		
92150	92150-1433	BOLT,SOCKET,6X30		1	1		
235	235B0514	SCREW-PAN-WP-CROS		2	2		
610	610A0408	ROLLER,4X8		1	1		

61878



Ref. No.	Part No.	Description	Spec Code	Quantity-AN110			
				J4	L4		
13157	13157-004	DAMPER CHANGE PEDAL		AR			AR
13157A	13157-004	DAMPER CHANGE PEDAL		1			1
13161	13161-1205	LEVER-COMP-CHANGE SHAFT		1			1
13236	13236-1258	LEVER-COMP-POSITION		1			1
13236A	13236-1298	LEVER-COMP		1			1
13242	13242-1349	LEVER-ASSY-CHANGE PEDAL (4SD)		1			1
13242A	13242-1350	LEVER-ASSY-CHANGE PEDAL (3RD)		AR			AR
14014	14014-1118	PLATE-POSITION		1			1
92002	92002-1237	BOLT-6X20		1			1
92026	92026-1217	SPACER		1			1
92081	92081-076	SPRING-CHANGE LEVER		1			1
92144	92144-1107	SPRING-CHANGE SHAFT RETURN		1			1
92144A	92144-1590	SPRING		1			1
92150	92150-1626	BOLT-8X14		1			1
220	22000614	SCREW-PAN-CLOS-6X14		1			1

This catalog covers:

'01 AN110-J4/L4 Engine

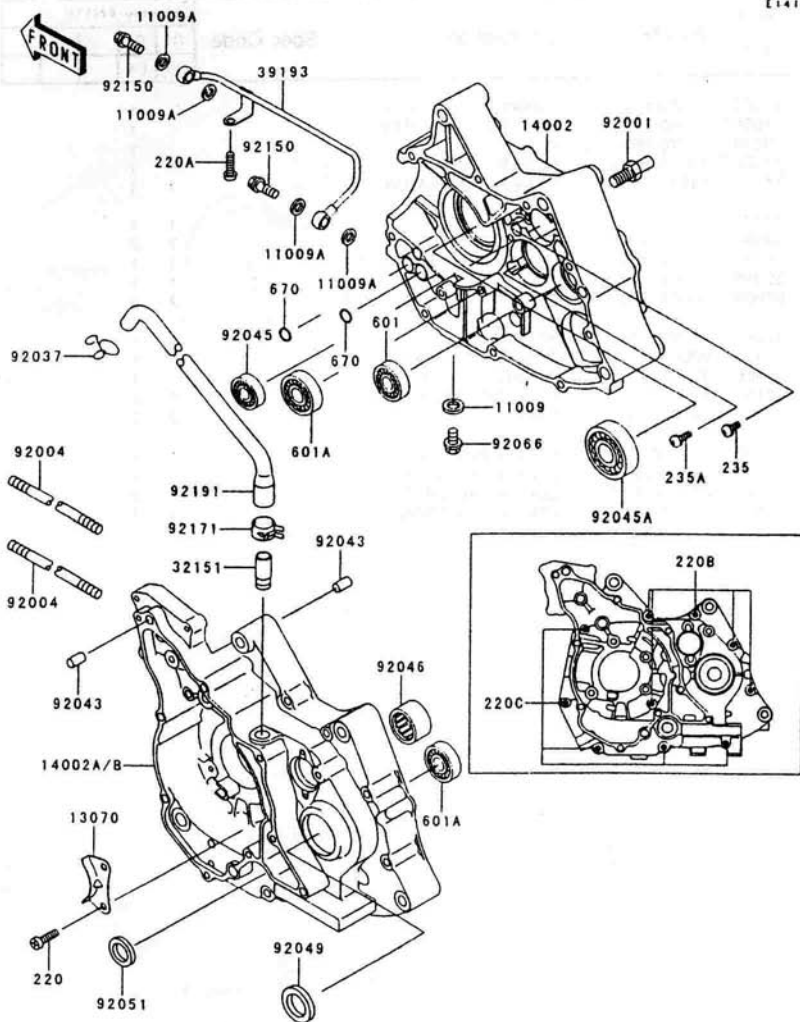
GRID NO.

C-3

This grid covers:

Crankcase

E1411



Ref. No.	Part No.	Description	Spec Code	Quantity-AN110			
				'01 J4	'01 L4		
11009	11009-1332	GASKET,DRAIN PLUG		1	1		
11009A	11009-1344	GASKET,OIL PIPE,8.2X14X1.0		4	4		
13070	13070-1319	GUIDE		1	1		
14002	14002-1806	CRANKCASE,RH		1	1		
14002A	14002-1807	CRANKCASE,LH				1	
14002B	14002-1816	CRANKCASE,LH				1	
32151	32151-1961	PIPE		1	1		
39193	39193-1042	PIPE-OIL		1	1		
92001	92001-1455	BOLT,RETURN SPRING		1	1		
92004	92004-053	STUD,8X190		4	4		
92037	92037-1972	CLAMPTUBE		1	1		
92043	92043-1263	PIN,6.2X8X14		6	6		
92045	92045-1171	BEARING-BALL,6804		1	1		
92045A	92045-1293	BEARING-BALL		1	1		
92046	92046-1148	BEARING-NEEDLE,HK1312		1	1		
92049	92049-1048	SEAL-OIL,SC22325		1	1		
92051	92051-005	SEAL-OIL,TB13225.5		1	1		
92066	92066-1174	PLUG,OIL DRAIN,12X15		1	1		
92150	92150-1556	BOLT,BANJO,8X20		2	2		
92171	92171-1055	CLAMP		1	1		
92191	92191-1152	TUBE		1	1		
220	220B0614	SCREW-PAN-CROS,6X14		2	2		
220A	220X0612	SCREW-PAN-CROS		1	1		
220B	220X0650	SCREW-PAN-CROS		5	5		
220C	220X0675	SCREW-PAN-CROS		5	5		
235	235B0510	SCREW-PAN-WP-CROS		2	2		
235A	235B0614	SCREW-PAN-WP-CROS		1	1		
601	601A6201	BEARING-BALL		1	1		
601A	601A6203	BEARING-BALL,#6203		2	2		
670	670B1510	O RING,10MM		2	2		

This catalog covers:

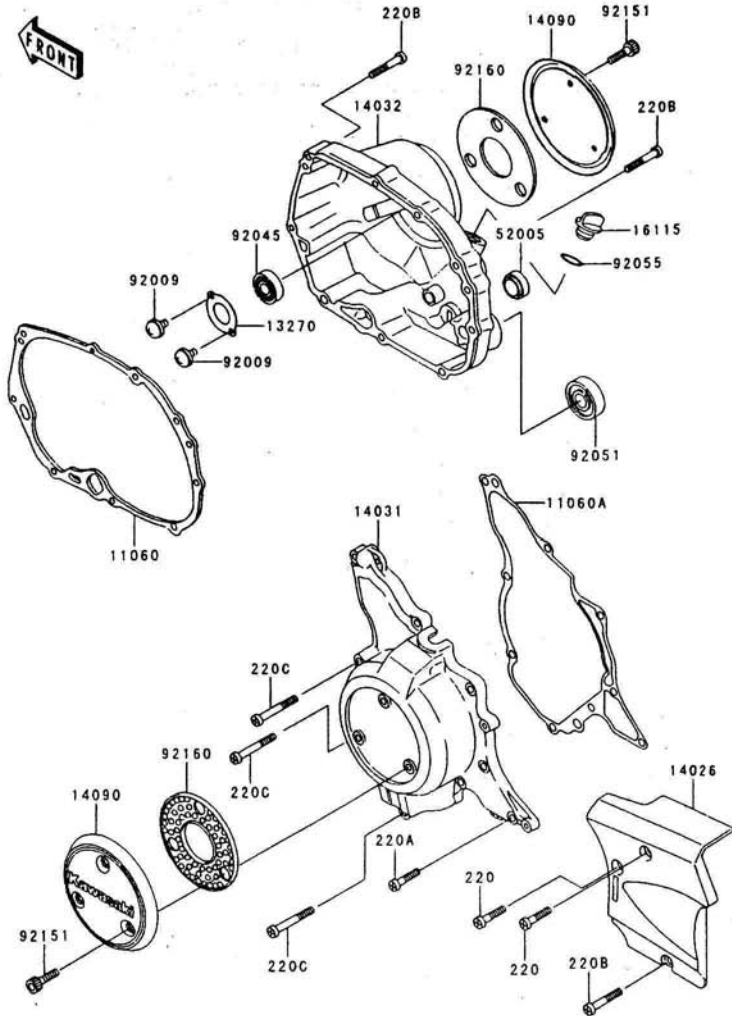
'01 AN110-J4/L4 Engine

GRID NO.

C-4

This grid covers:

Engine Cover(s)



E1431

Ref. No.	Part No.	Description	Spec Code	Quantity-AN110			
				'01	'01		
				J4	L4		
11060	11060-1797	GASKET,CLUTCH		1	1		
11060A	11060-1798	GASKET,GENERATOR		1	1		
13270	13270-1800	PLATE		1	1		
14026	14026-1245	COVER-CHAIN		1	1		
14031	14031-1342	COVER-GENERATOR		1	1		
14032	14032-1465	COVER-CLUTCH		1	1		
14090	14090-1834	COVER		2	2		
16115	16115-1068	CAP-OIL FILLER		1	1		
52005	52005-1055	GAUGE,OIL LEVEL		1	1		
92009	92009-1745	SCREW		2	2		
92045	92045-1358	BEARING-BALL		1	1		
92051	92051-003	SEAL-OIL,TB16267		1	1		
92055	92055-049	RING-O.31.7X2.4		1	1		
92151	92151-1212	BOLT,SOCKET,5X0.8		6	6		
92160	92160-1491	DAMPER		2	2		
220	220X0620	SCREW-PAN-CROS		2	2		
220A	220X0625	SCREW-PAN-CROS		6	6		
220B	220X0635	SCREW-PAN-CROS		10	10		
220C	220X0645	SCREW-PAN-CROS		3	3		

This catalog covers:

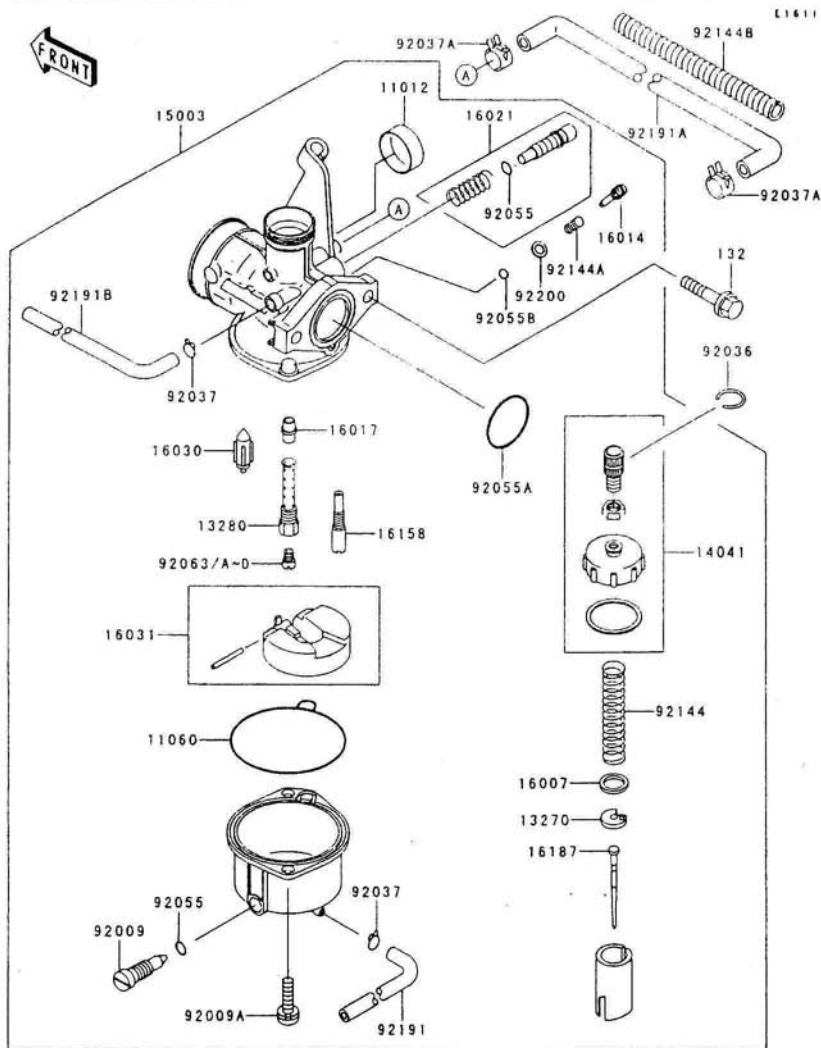
'01 AN110-J4/L4 Engine

GRID NO.

C-5

This grid covers:

Carburetor



Ref. No.	Part No.	Description	Spec Code	Quantity-AN110			
				'01	'01	J4	L4
11012	11012-1940	CAP/CHOKE		1	1		
11060	11060-1700	GASKET,FLOAT CHAMBER		1	1		
13270	13270-1825	PLATE		1	1		
13280	13280-1092	HOLDER,NEEDLE JET		1	1		
14041	14041-1117	COVER-COMP,CARB TOP		1	1		
15003	15003-1579	CARBURETOR-ASSY		1	1		
16007	16007-1103	SEAT-SPRING		1	1		
16014	16014-1093	SCREW-PILOT AIR		1	1		
16017	16017-1399	JET-NEEDLE		1	1		
16021	16021-1203	SCREW-THROTTLE STOP		1	1		
16030	16030-1082	VALVE-FLOAT,FLOAT		1	1		
16031	16031-1088	FLOAT		1	1		
16158	16158-1063	JET-SLOW		1	1		
16187	16187-1136	NEEDLE-JET,N6DL		1	1		
92009	92009-1057	SCREW,DRAIN,M6X1.0		1	1		
92009A	92009-1750	SCREW		2	2		
92036	92036-018	RING-SNAP		1	1		
92037	92037-1142	CLAMP,TUBE		2	2		
92037A	92037-1601	CLAMP		2	2		
92055	92055-1053	RING-O,DRAIN SCREW		2	2		
92055A	92055-1541	RING-O		1	1		
92055B	92055-1542	RING-O		1	1		
92063	92063-1325	JET-MAIN,#82		1	1		
92063A	92063-1326	JET-MAIN,#85		1	1		
	(OPTION)						
92063B	92063-1328	JET-MAIN,#88		1	1		
	(OPTION)						
92063C	92063-1393	JET-MAIN,#78		1	1		
	(OPTION)						
92063D	92063-1414	JET-MAIN,#80		1	1		
	(OPTION)						
92144	92144-1875	SPRING,THROTTLE		1	1		
92144A	92144-1876	SPRING		1	1		
92144B	92144-1994	SPRING		1	1		
92191	92191-1142	TUBE,3.5X6.5X298		1	1		
92191A	92191-1204	TUBE,FUEL		1	1		
92191B	92191-1260	TUBE		1	1		
92200	92200-1270	WASHER		1	1		
132	132Y0630	BOLT-FLANGED-SMALL		2	2		

This catalog covers:

'01 AN110-J4/L4 Engine

GRID NO.

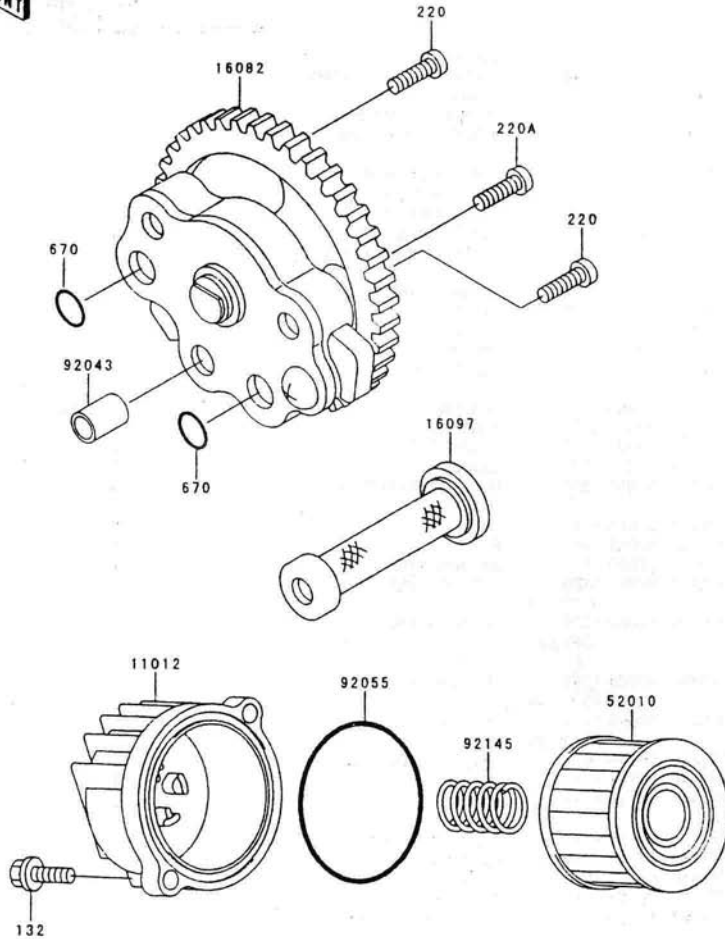
C-6

This grid covers:

Oil Pump

E1710

FRONT



Ref. No.	Part No.	Description	Spec Code	Quantity-AN110			
				'01 J4	'01 L4		
11012	11012-1980	CAP		1	1		
16082	16082-1052	PUMP-ASSY-OIL		1	1		
16097	16097-1051	FILTER-ASSY-OIL		1	1		
52010	52010-1053	ELEMENT-OIL FILTER		1	1		
92043	92043-1263	PIN.6.2X8X14		1	1		
92055	92055-3018	RING-O		1	1		
92145	92145-1091	SPRING		1	1		
132	132Y0620	BOLT-FLANGED-SMALL		2	2		
220	220B0625	SCREW-PAN-CROS.6X25		2	2		
220A	220B0630	SCREW-PAN-CROS.6X30		1	1		
670	670B1510	O RING.10MM		2	2		

This catalog covers:

'01 AN110-J4/L4 Engine

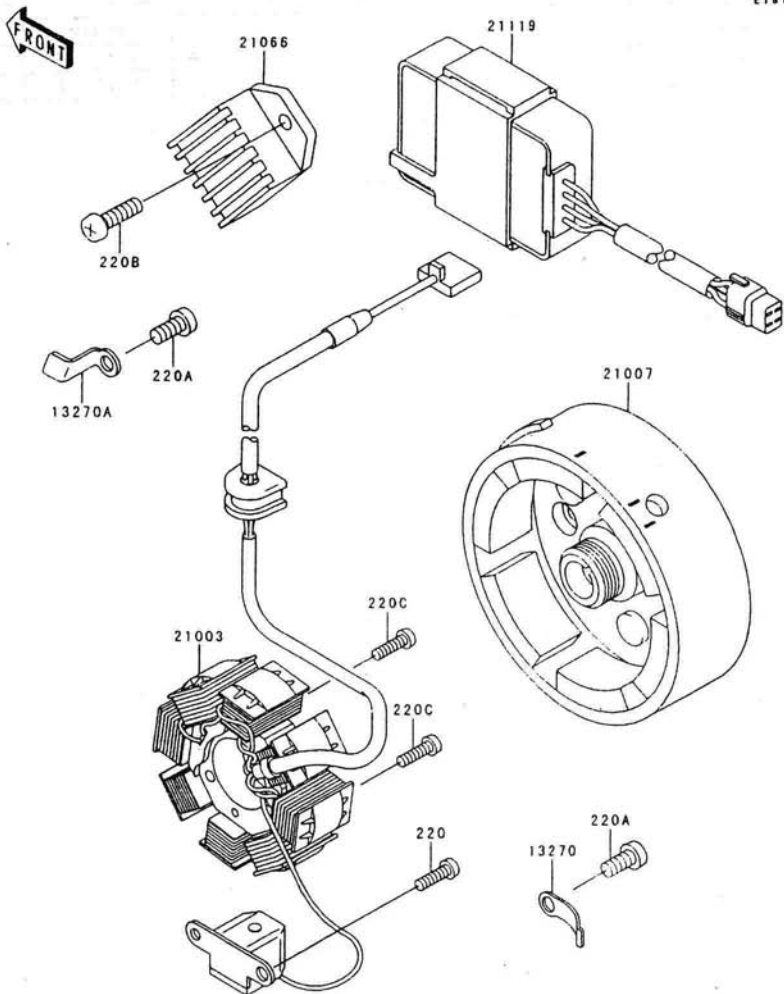
GRID NO.

C-7

This grid covers:

Generator

E1810



Ref. No.	Part No.	Description	Spec Code	Quantity-AN110			
				'01 J4	'01 L4		
13270	13270-1754	PLATE		1	1		
13270A	13270-1961	PLATE		1	1		
21003	21003-1337	STATOR		1	1		
21007	21007-1373	ROTOR		1	1		
21066	21066-1086	REGULATOR-VOLTAGE		1	1		
21119	21119-1519	IGNITER		1	1		
220	220B0514	SCREW-PAN-CROS		2	2		
220A	220B0608	SCREW-PAN-CROS.6X8		2	2		
220B	220B0614	SCREW-PAN-CROS.6X14		1	1		
220C	220B0625	SCREW-PAN-CROS.6X25		2	2		

This catalog covers:

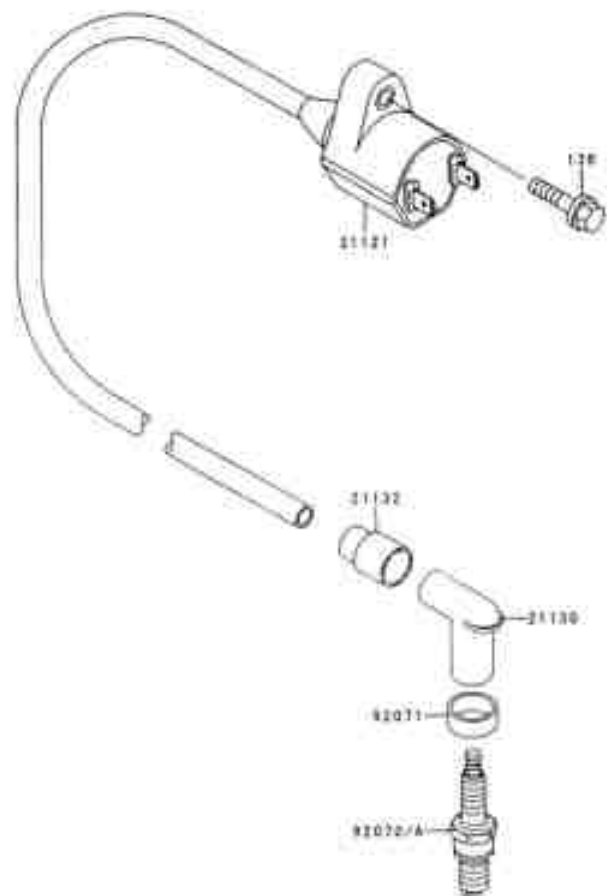
'01 AN110-J4/L4 Engine

GRID NO.

C-8

This grid covers:

Ignition System



11422

Ref. No.	Part No.	Description	Spec Code	Quantity-AN110			
				01	01		
21121	21121-1279	COIL-IGNITION		1	1		
21130	21130-1000	CAP-SPARK PLUG		1	1		
21132	21132-000	GROMMET-HIGH TENSION		1	1		
92070	92070-1114	PLUG-SPARK (BHS/ANGK)		1	1		
92070A		PLUG-SPARK (BHS/USIND)		1	1		
		(LOCAL PROCUREMENT ITEM) (OPTION)					
92071	92071-1015	GROMMET SPARK PLUG CAP		1	1		
130	130G0520	BOLT-FLANGED		1	1		

This catalog covers:

'01 AN110-J4/L4 Engine

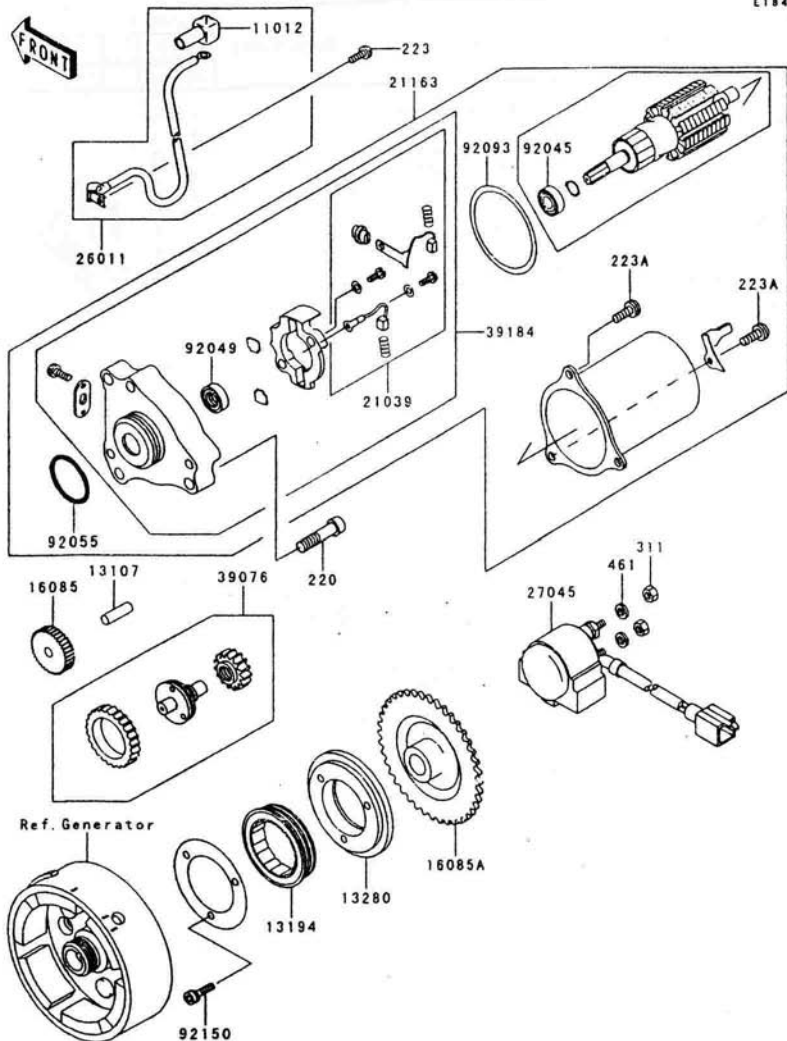
GRID NO.

C-9

This grid covers:

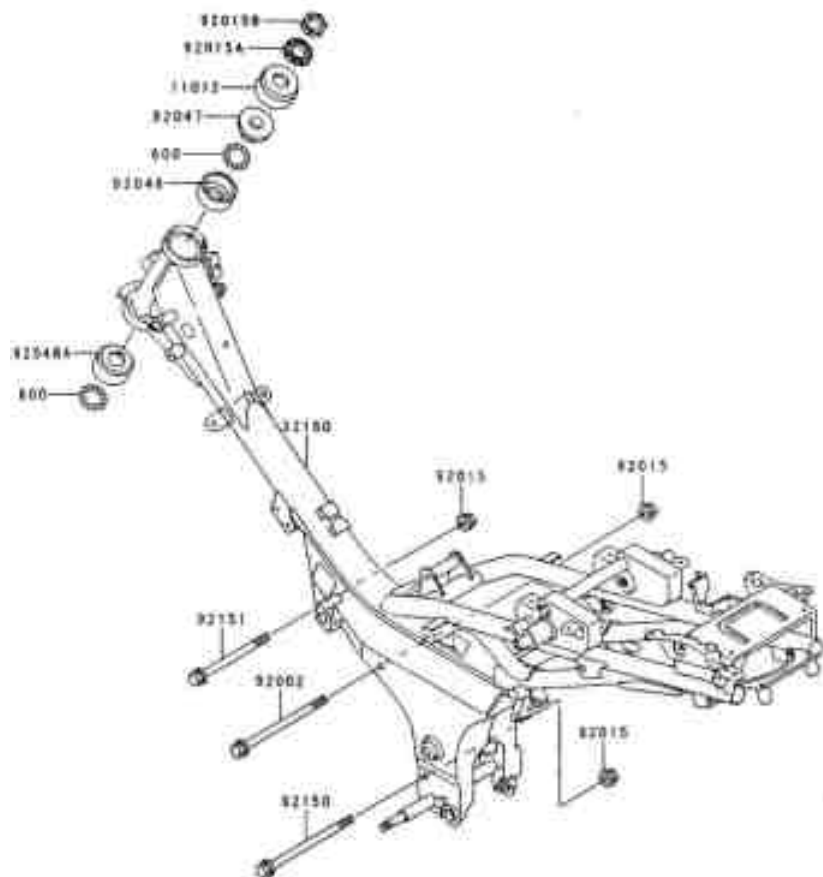
Starter Motor(AN110-L4)

E1840



Ref. No.	Part No.	Description	Spec Code	Quantity-AN110			
				'01	'01		
				J4	L4		
11012	11012-1354	CAP,TERMINAL		1			
13107	13107-1142	SHAFT,8X25		1			
13194	13194-1102	CLUTCH-ONEWAY		1			
13280	13280-1108	HOLDER		1			
16085	16085-1296	GEAR,IDLE,45T		1			
16085A	16085-1299	GEAR,62T		1			
21039	21039-1067	BRUSH,STARTER MOTOR(SET)		1			
21163	21163-1101	STARTER-ELECTRIC		1			
26011	26011-1655	WIRE-LEAD,STARTER MOTOR		1			
27045	27045-1059	SWITCH-ASSY		1			
39076	39076-1072	LIMITER		1			
39184	39184-1011	BRACKET-ASSY,STARTER MOTOR		1			
92045	92045-1349	BEARING-BALL,STARTER MOTOR		1			
92049	92049-1465	SEAL-OIL,STARTER MOTOR		1			
92055	92055-1276	RING-O		1			
92093	92093-1079	SEAL,STARTER MOTOR		1			
92150	92150-1907	BOLT,6X20		3			
220	220X0625	SCREW-PAN-CROS		3			
223	223D0406	SCREW-PAN-WS-CROS		1			
223A	223D0516	SCREW-PAN-WS-CROS		3			
311	311B0600	NUT-HEX,6MM		2			
461	461F0600	WASHER-SPRING,6MM		2			

1118



Ref No.	Part No.	Description	Spec Code	Quantity-AN110			
				J4	L4		
11012	11012-1861	CAP STEERING STEM		1	1		
32180	32180-1462	FRAME-COMP		1	1		
92002	92002-1087	BOLT FLANGED 10X130		1	1		
92015	92015-1180	NUT FLANGED 10MM		3	3		
92015A	92015-1800	NUT STEERING STEM LOCK 30MM		1	1		
92015B	92015-1901	NUT 38MM		1	1		
92047	92047-011	RACE STEERING STEM BEARING		1	1		
92048	92048-006	RACE STEERING STEM BEARING		1	1		
92048A	92048-008	RACE STEERING STEM BEARING		1	1		
92150	92150-1831	BOLT FLANGED 10X120		1	1		
92151	92151-1196	BOLT FLANGED 10X100		1	1		
900	6004000	BALL-STEEL 1/4"		29	29		

This catalog covers:

'01 AN110-J4/L4 Chassis

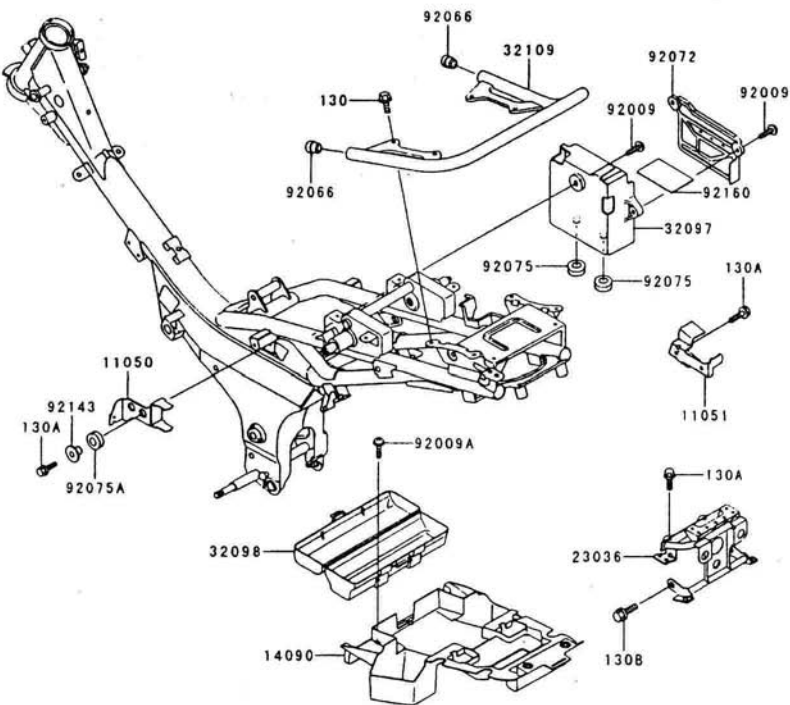
GRID NO.

D-4

This grid covers:

Battery Case

F2132



Ref. No.	Part No.	Description	Spec Code	Quantity-AN110			
				'01	'01		
				J4	L4		
11050	11050-1262	BRACKET,IGNITION COIL		1	1		
11051	11051-1176	BRACKET,IGNITER&RELAY		1	1		
14090	14090-1839	COVER,TOOL CASE		1	1		
23036	23036-1137	BRACKET-TAIL LAMP		1	1		
32097	32097-1169	CASE-BATTERY		1	1		
32098	32098-1119	CASE-TOOL		1	1		
32109	32109-1262	GRIP-FRAME,RR		1	1		
92009	92009-1662	SCREW,6X14		3	3		
92009A	92009-1663	SCREW,6X18		2	2		
92066	92066-1484	PLUG		2	2		
92072	92072-1345	BAND,BATTERY		1	1		
92075	92075-051	DAMPER		2	2		
92075A	92075-1634	DAMPER		2	2		
92143	92143-1016	COLLAR,L=9.6		2	2		
92160	92160-1292	DAMPER,BATTERY		2	2		
130	130G0816	BOLT-FLANGED,8X16		4	4		
130A	130J0616	BOLT-FLANGED,6X16,BLACK		6	6		
130B	130J0816	BOLT-FLANGED,8X16,BLACK		2	2		

This catalog covers:

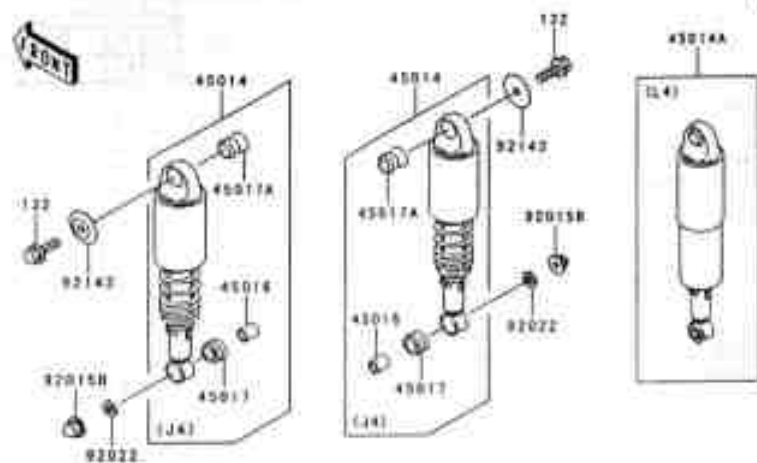
'01 AN110-J4/L4 Chassis

GRID NO

D-5

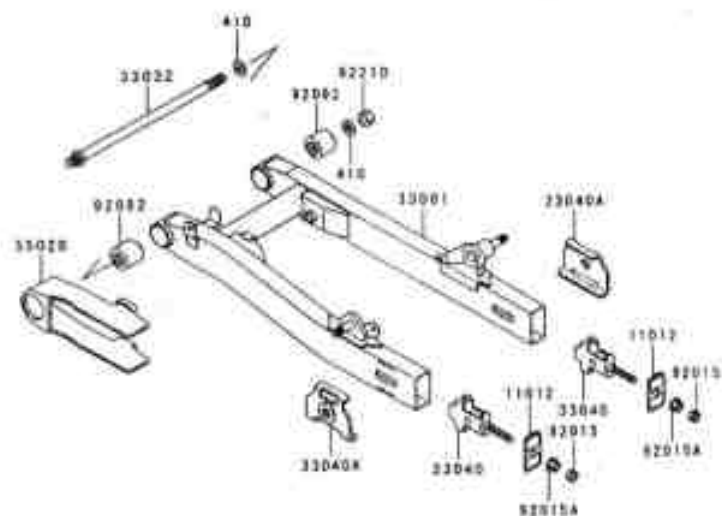
This grid covers:

Swingarm/Shock Absorber



43144

Ref. No.	Part No.	Description	Spec Code	Quantity-AN110			
				01	01		
				J4	L4		
11012	11012-1785	CAR CHAIN ADJUSTER		2	2		
33001	33001-1553-CE	ARM-COMP-SWING SILVER		1	1		
33032	33032-1184	SHAFT-SWING ARM		1	1		
33040	33040-1120	ADJUSTER-CHAIN,INNER		2	2		
33040A	33040-1168	ADJUSTER-CHAIN,OUTER		2	2		
45014	45014-1087	SHOCKABSORBER (FOR COLOMBA)		2			
45014A	45014-1712	SHOCKABSORBER			2		
45016	45016-008	COLLAR-SHOCKABSORBER		2	2		
45017	45017-012	DAMPER-SHOCKABSORBER		2	2		
45017A	45017-015	DAMPER-SHOCKABSORBER		2	2		
55020	55020-1608	GUARD CHAIN		1	1		
92015	92015-1364	NUT,8MM		2	2		
92015A	92015-1406	NUT,FLANGED,8MM		2	2		
92015B	92015-1549	NUT,10MM		2	2		
92022	92022-246	WASHER,10.5X25X2.2		2	2		
92092	92092-005	BUSHING-RUBBER		2	2		
92143	92143-1519	COLLAR		2	2		
92210	92210-1085	NUT,SWING ARM SHAFT M12 P1.25		1	1		
132	132E0816	BOLT,FLANGED-SMALL		2	2		
410	410F1200	WASHER-PLAIN-SMALL,12MM,BLACK		2	2		



This catalog covers:

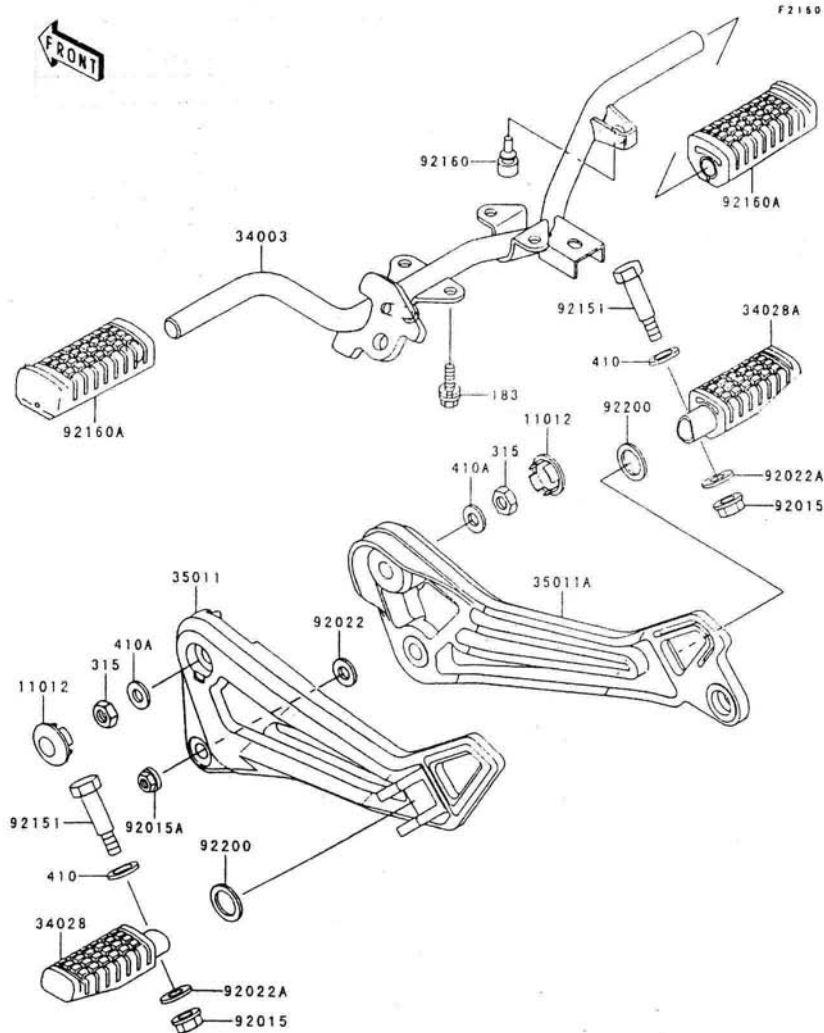
'01 AN110-J4/L4 Chassis

GRID NO.

D-6

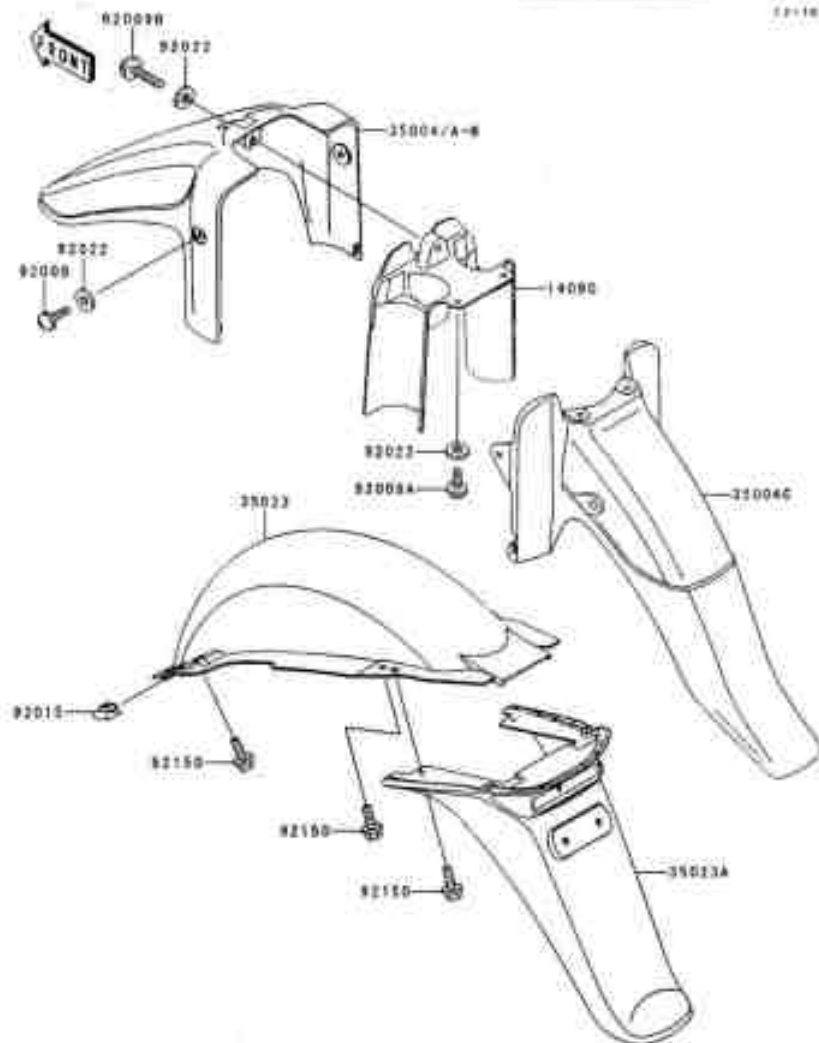
This grid covers:

Footrests



Ref. No.	Part No.	Description	Spec Code	Quantity-AN110			
				'01	'01		
				J4	L4		
11012	11012-1887	CAPSTEP HOLDER PIVOT		2	2		
34003	34003-1466	HOLDER-STEP,FR		1	1		
34028	34028-1437	STEP,RR,LH		1	1		
34028A	34028-1438	STEP,RR,RH		1	1		
35011	35011-1883	STAY,RR,LH		1	1		
35011A	35011-1884	STAY,RR,RH		1	1		
92015	92015-1339	NUT,LOCK,FLANGED,6MM		2	2		
92015A	92015-1428	NUT,FLANGED,10MM		1	1		
92022	92022-100	WASHER		1	1		
92022A	92022-1565	WASHER,6.5X16X2		2	2		
92151	92151-1194	BOLT		2	2		
92160	92160-1821	DAMPER,BRAKE STOPPER		1	1		
92160A	92160-1845	DAMPER,STEP RUBBER		2	2		
92200	92200-1120	WASHER,19.5X28X2.3		2	2		
183	183H0816	BOLT-UPSET-WS-SMALL		4	4		
315	315G1200	NUT-HEX-FINE		2	2		
410	410B0800	WASHER-PLAIN-SMALL,8MM		2	2		
410A	410F1200	WASHER-PLAIN-SMALL,12MM,BLACK		2	2		

12-16



Ref. No.	Part No.	Description	Spec Code	Quantity-AN110			
				B1	B1		
				J4	L4		
14090	14090-1813	COVER FENDER(INNER)		1	1		
35004	35004-1354-DU	FENDER-FRONT,FR.J4 RED		1	1		
35004A	35004-1354-GE	FENDER-FRONT,FR.C.B.BLUE		1	1		
35004B	35004-1354-RB	FENDER-FRONT,FR.FROLD.GONE		1	1		
35004C	35004-1355	FENDER-FRONT,RR		1	1		
35023	35023-1468	FENDER-REAR,FR		1	1		
35023A	35023-1469	FENDER-REAR,RR		1	1		
92009	92009-1287	SCREW 6X14, WHITE		2	2		
92009A	92009-1662	SCREW 6X14		2	2		
92009B	92009-1774	SCREW 6X28		1	1		
92015	92015-1710	NUT,5MM		2	2		
92022	92022-1143	WASHER,6.5X10X1		5	5		
92150	92150-1688	BOLT,FLANGED,6X14		6	6		

This catalog covers:

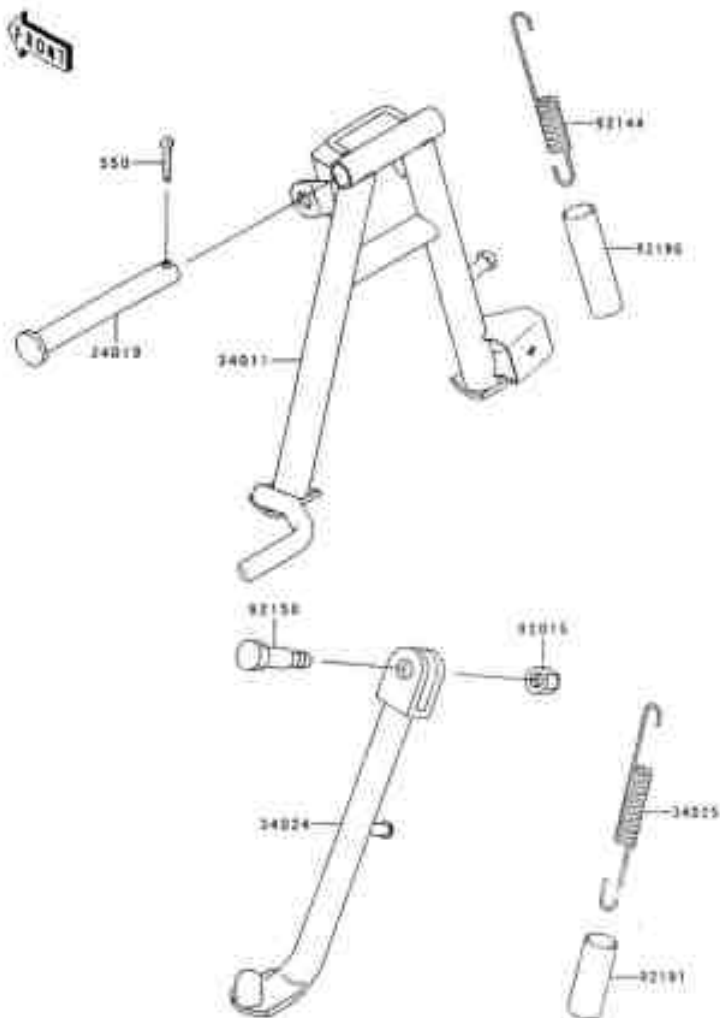
'01 AN110-J4/L4 Chassis

GRID NO.

D-8

This grid covers:

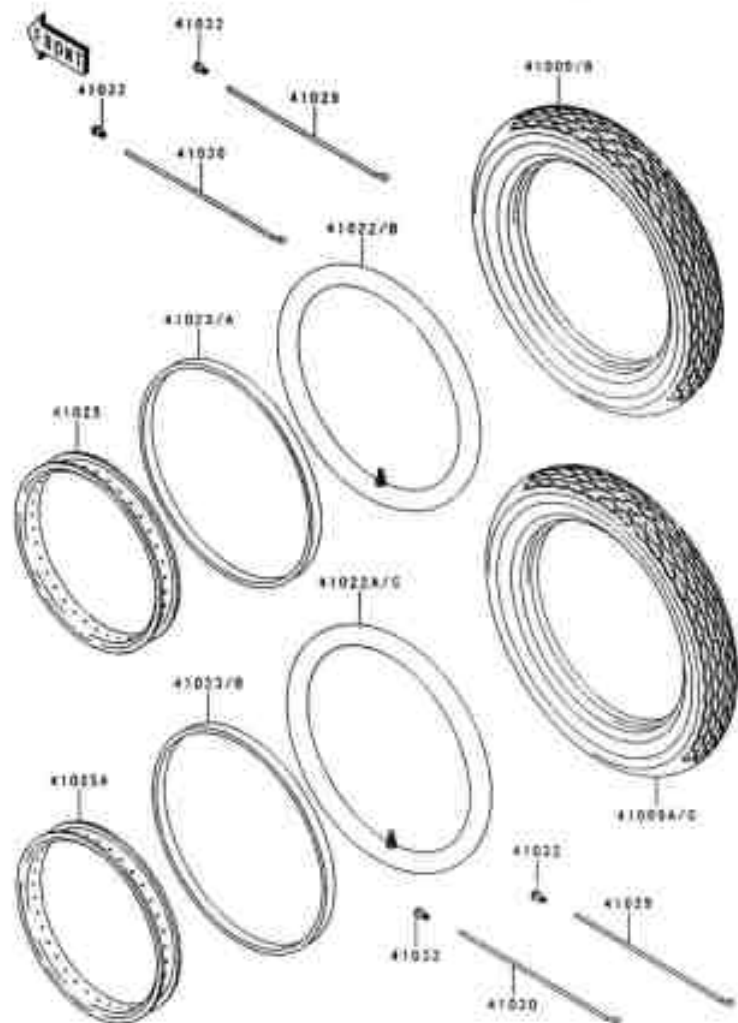
Stand(s)



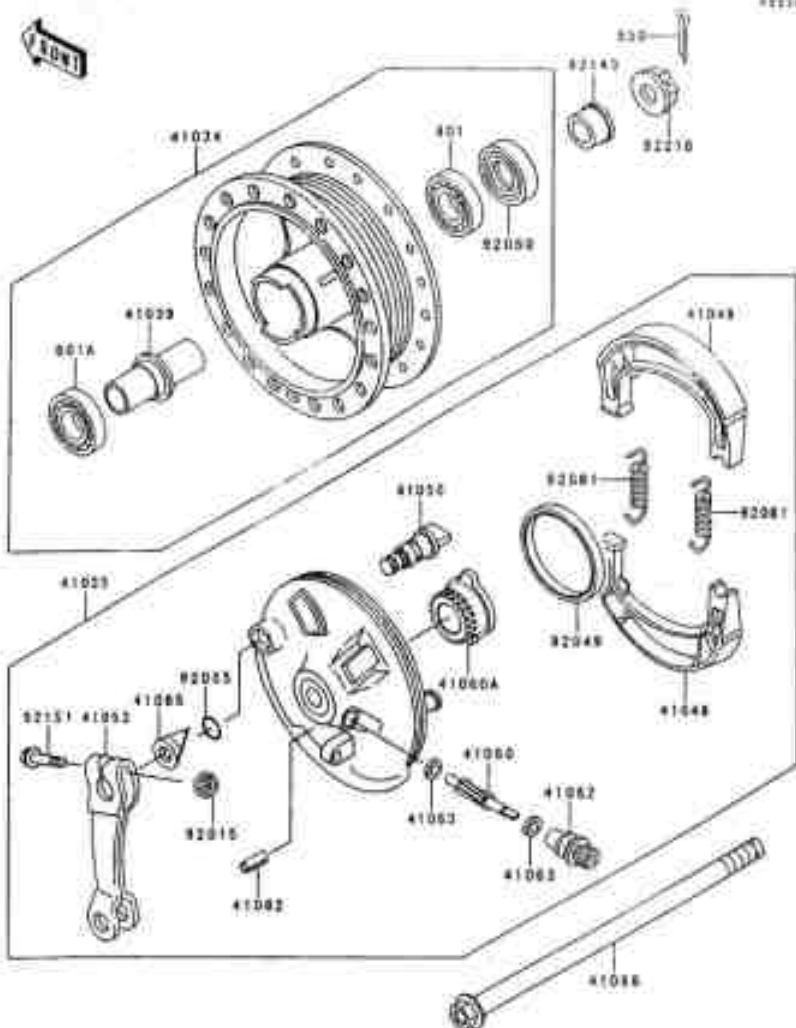
92191

Ref. No.	Part No.	Description	Spec Code	Quantity-AN110			
				J4	L4		
34011	34011-1180	STAND-CENTER		1	1		
34019	34019-1054	SHAFT-STAND.CNT		1	1		
34024	34024-1358	STAND-SIDE		1	1		
34025	34025-025	SPRING-STAND		1	1		
92015	92015-1588	NUT-LOCK 10MM-BLACK		1	1		
92144	92144-1385	SPRING-CENTER STAND		1	1		
92150	92150-1545	BOLT-SIDE STAND		1	1		
92190	92190-1106	TUBE 16X19X80		1	1		
92191	92191-1022	TUBE 16X19X55		1	1		
550	55003020	PIN-COTTER 3-2X38		1	1		

72116



Ref. No.	Part No.	Description	Spec Code	Quantity-AN110			
				01	01		
				J4	L4		
41009	41009-1051	TIRE,FR,2.50-17 38L,MR53		1	1		
41009A	41009-1052	TIRE,2.75-17 41P,MR53		1	1		
41009B	41009-1060	TIRE,FR,2.50-17 38L, D100KD		1	1		
41009C	41009-1067	TIRE,RR,2.75-17 41P,D100KD		1	1		
41022	41022-1147	TUBE-TIRE,2.50-17		1	1		
41022A	41022-1168	TUBE-TIRE,2.75-17		1	1		
41022B	41022-1232	TUBE-TIRE,2.50-17(D)		1	1		
41022C	41022-1233	TUBE-TIRE,70/90-17(D)		1	1		
41023	41023-1000	BAND-RIM,2.50/4.50,17(Y)		2	2		
41023A	41023-1135	BAND-RIM,2.50-17(D)		1	1		
41023B	41023-1138	BAND-RIM,2.50/4.50,17(D)		1	1		
41025	41025-1385	RIM,1.40X17		1	1		
41025A	41025-1406	RIM,RR,1.60X17		1	1		
41029	41029-1200	SPOKE-INNER,161MMX101D		36	36		
41030	41030-1124	SPOKE-OUTER,160.5MMX83D		36	36		
41032	41032-024	NIPPLE-SPOKE		72	72		



Ref No	Part No	Description	Spec Code	Quantity AN110			
				J4	L4		
41034	41034-1246	DRUM-ASSY FRONT BRAKE		1	1		
41035	41035-1528	PANEL-ASSY BRAKE FR		1	1		
41038	41039-002	COLLAR,L=51		1	1		
41048	41048-017	SHOE BRAKE		2	2		
41050	41050-018	CAM BRAKE		1	1		
41053	41053-1085	LEVER BRAKE CAM		1	1		
41060	41060-014	GEAR-METER SCREW,10T		1	1		
41060A	41060-1162	GEAR-METER SCREW,24T		1	1		
41062	41062-005	BUSHING,SPEEDOMETER CABLE		1	1		
41063	41063-001	WASHER,3.1X8X2.4		2	2		
41068	41068-1373	AXLE FR		1	1		
41082	41082-001	PIN,SPRING		1	1		
41085	41085-013	INDICATOR BRAKE SHOE		1	1		
92015	92015-1193	NUT FLANGED,6MM		1	1		
92049	92049-1488	SEAL OIL,KCY43X58X7		1	1		
92050	92050-063	SEAL OIL,TC17317		1	1		
92055	92055-004	RING OIL BRAKE CAM		1	1		
92081	92081-1766	SPRING BRAKE SHOE		2	2		
92143	92143-1687	COLLAR,FR AXLE,L=16.5		1	1		
92151	92151-1209	BOLT FLANGED,6X34		1	1		
92210	92210-1030	NUT,CASTLE,10MM		1	1		
550	55002525	PIN,COTTER,2.5X25		1	1		
601	601B6200G	BEARING-BALL,#6200G		1	1		
601A	601B63002G	BEARING-BALL,#63002G		1	1		

This catalog covers:

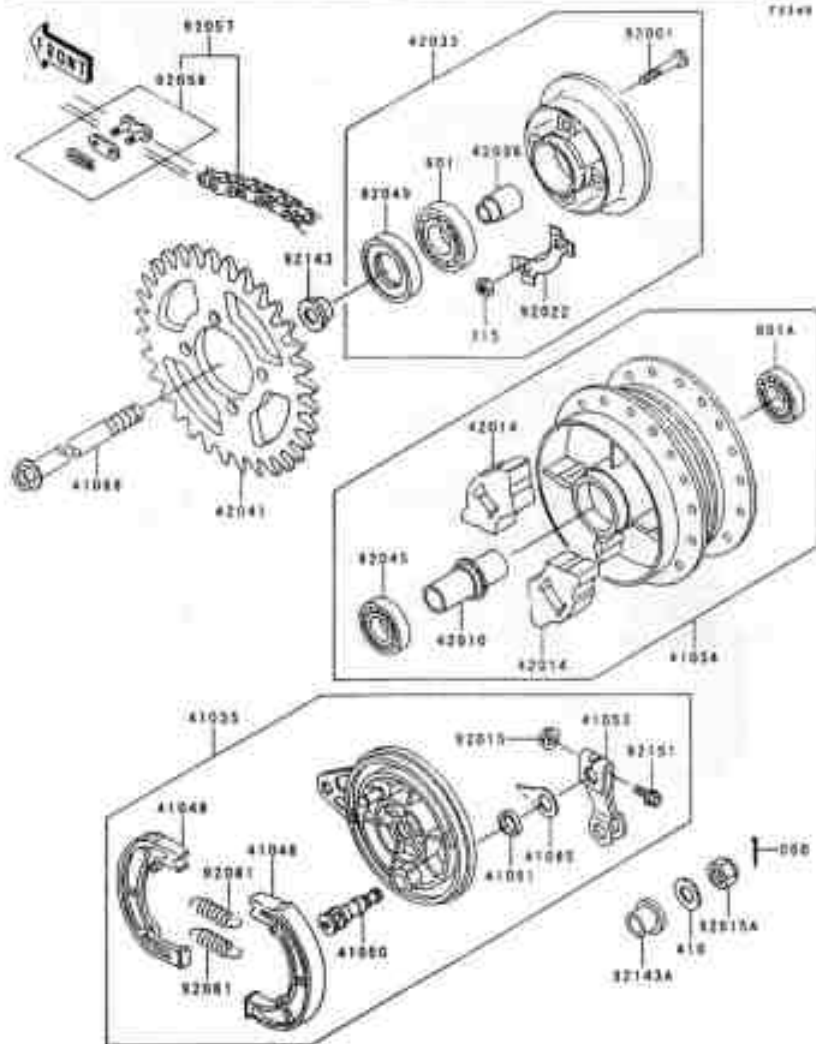
'01 AN110-J4/L4 Chassis

GRID NO.

D-11

This grid covers:

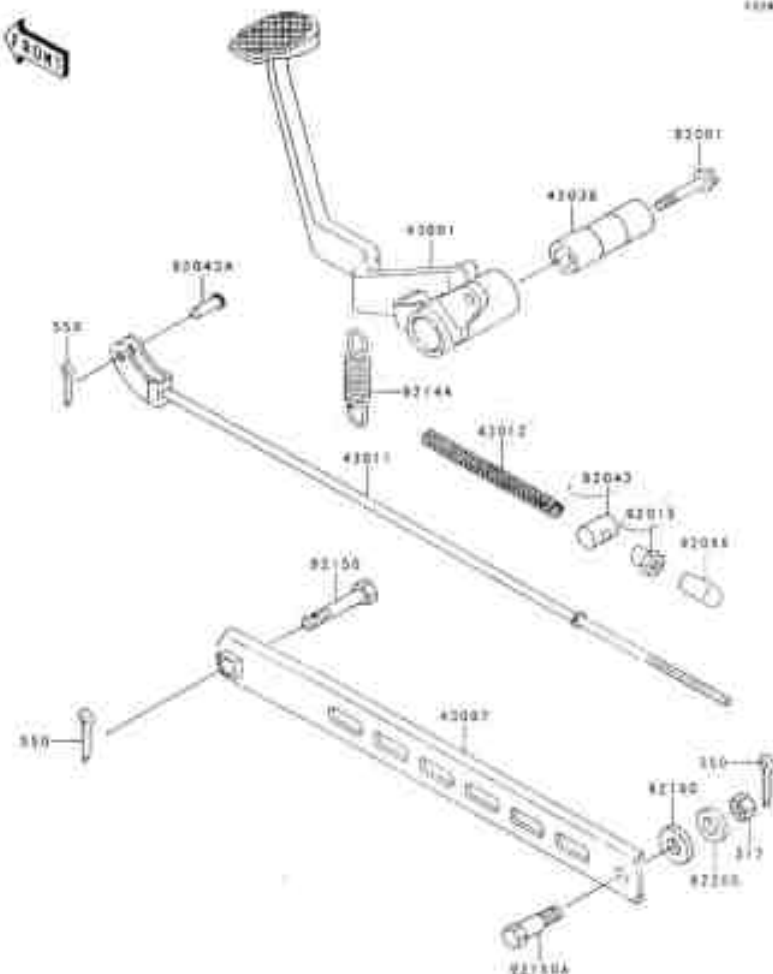
Rear Hub



Ref. No.	Part No.	Description	Spec Code	Quantity-AN110			
				J4	L4		
41034	41034-1253	DRUM ASSY REAR BRAKE		1	1		
41035	41035-1492	PANEL ASSY BRAKE RR		1	1		
41048	41048-1134	SHOE BRAKE		2	2		
41050	41050-1080	CAM BRAKE		1	1		
41051	41051-001	SEAL BRAKE CAM		1	1		
41053	41053-1089	LEVER BRAKE CAM		1	1		
41068	41068-1372	AXLE RR		1	1		
41085	41085-1079	INDICATOR		1	1		
42010	42010-005	COLLAR L=56		1	1		
42014	42014-016	DAMPER RR HUB SHOCK		4	4		
42033	42033-1183	COUPLING ASSY RR HUB		1	1		
42036	42036-1299	SLEEVE RR HUB COUPLING L=41		1	1		
42041	42041-1521	SPROCKET HUB M2T		1	1		
	42041-1498	SPROCKET 47T		1	1		
92001	92001-082	BOLT HUB SPROCKET 10X36		4	4		
92015	92015-1182	NUT FLANGED 5MM		1	1		
92015A	92015-1870	NUT CASTLE 12MM		1	1		
92022	92022-1705	WASHER LOCK		2	2		
92045	92045-1308	BEARING BALL 62012C35C		1	1		
92049	92049-1490	SEAL OIL SC26X42X5		1	1		
92057	92057-1478	CHAIN DRIVE SK4285H-QX10B		1	1		
92058	92058-1015	JOINT CHAIN EK4285H		1	1		
92081	92081-1766	SPRING BRAKE SHOE		2	2		
92143	92143-1533	COLLAR RR AXLE LHL=17		1	1		
92143A	92143-1947	COLLAR RR AXLE RHL=19		1	1		
92151	92151-1200	BOLT FLANGED 6X34		1	1		
315	31581000	NUT HEX FINE 10MM		4	4		
410	41081000	WASHER PLAIN SMALL 12MM		1	1		
550	55003025	PIN COTTER 3.0X25		1	1		
601	60186004G	BEARING BALL #6004G		1	1		
601A	60186301UG	BEARING BALL #6301UG		1	1		

11294

Ref. No.	Part No.	Description	Spec Code	Quantity-AN110			
				01	01		
				J4	L4		
42028	42036-1332	SLEEVE		1	1		
43001	43001-1967	LEVER-BRAKE PEDAL		1	1		
43007	43007-1168	ROD-TORQUE		1	1		
43011	43011-1177	ROD-BRAKE		1	1		
43012	43012-001	SPRING BRAKE ROD		1	1		
92001	92001-1893	BOLT FLANGED, 12X88		1	1		
92015	92015-042	NUT BRAKE ROD		1	1		
92043	92043-039	PIN BRAKE ROD		1	1		
92043A	92043-1542	PIN, 6X12 B		1	1		
92056	92056-1433	PLUG		1	1		
92144	92144-1810	SPRING BRAKE PEDAL RETURN		1	1		
92150	92150-1667	BOLT FLANGED, 10X70		1	1		
92150A	92150-1668	BOLT, 6X30-1		1	1		
92160	92160-1313	DAMPER		1	1		
92200	92200-1175	WASHER, 6X22X1-5		1	1		
917	917B0300	NUT HEX-SMALL, 8MM		1	1		
950	55002018	PIN-COTTER, 2.0X18		3	3		



This catalog covers:

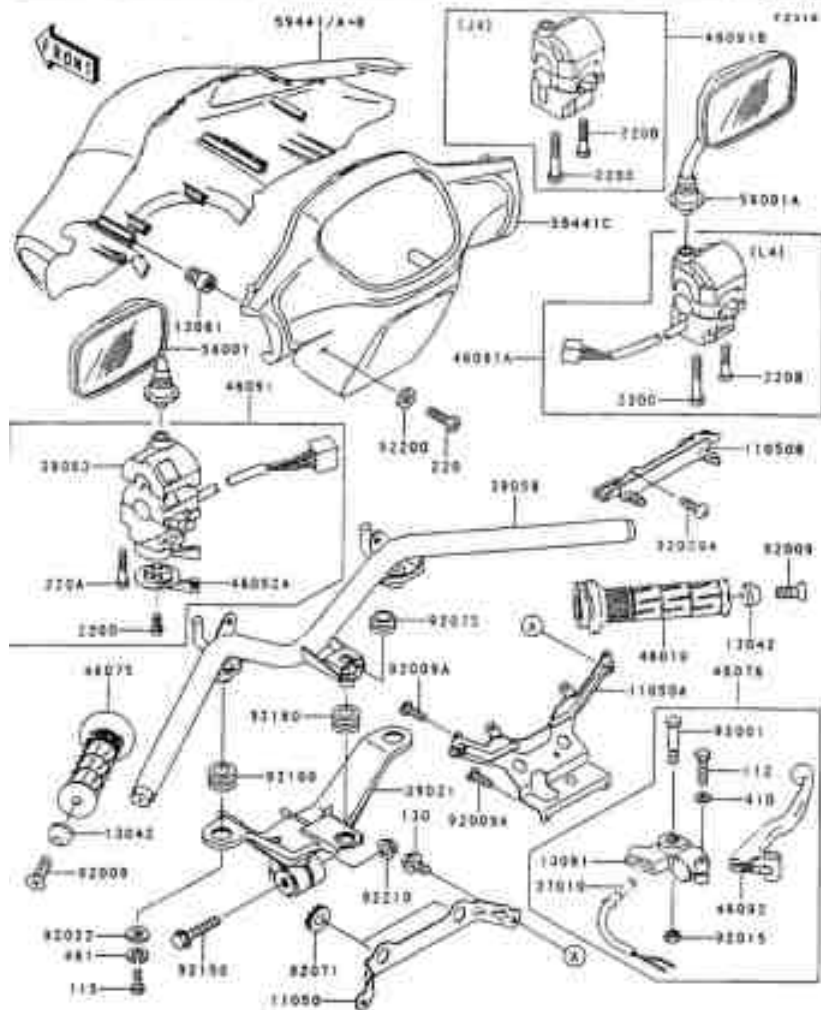
'01 AN110-J4/L4 Chassis

GRID NO

D-14

This grid covers:

Handlebar(2/2)



Ref No	Part No	Description	Spec Code	Quantity-AN110			
				J4	L4		
220B	220C0540	SCREW-PAN-CROSS			1	1	
220C	220C0545	SCREW-PAN-CROSS			1	1	
220D	220C0606	SCREW-PAN-CROSS-EXT			1	1	
410	410F0600	WASHER-PLAIN-SMALL-DMM-BLACK			1	1	
461	461F0600	WASHER-SPRING-3MM			2	2	

This catalog covers:

'01 AN110-J4/L4 Chassis

GRID NO.

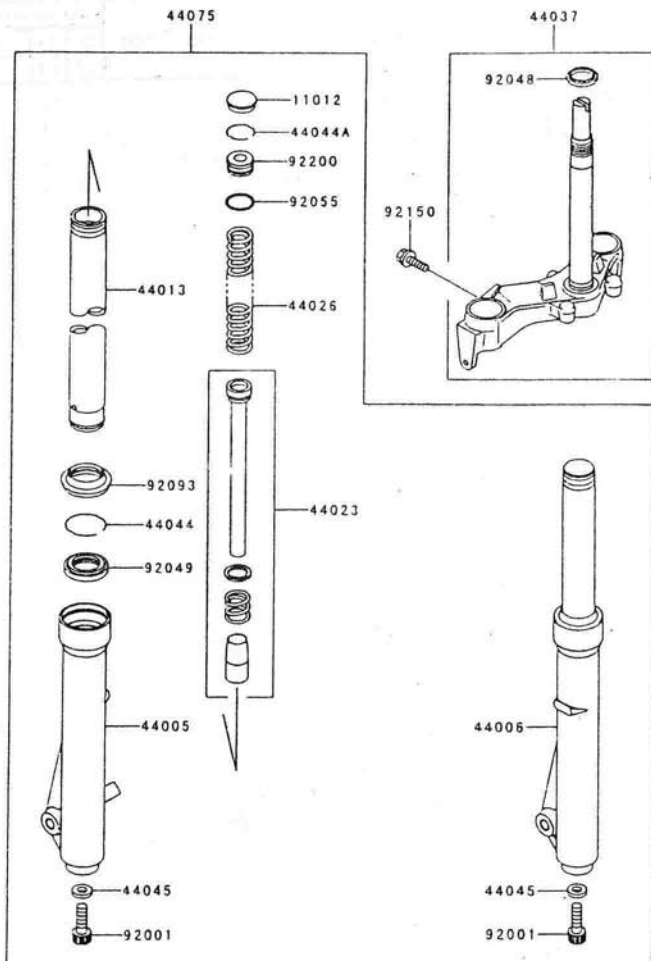
E-3

This grid covers:

Front Fork

F2340

FRONT



Ref. No.	Part No.	Description	Spec Code	Quantity-AN110			
				'01	'01		
				J4	L4		
11012	11012-1067	CAP,RUBBER,FORK TOP	2	2			
44005	44005-1380	PIPE-LEFT FORK OUTER	1	1			
44006	44006-1379	PIPE-RIGHT FORK OUTER	1	1			
44013	44013-1480	PIPE-FORK INNER	2	2			
44023	44023-1118	CYLINDER-SET-FORK	2	2			
44026	44026-1652	SPRING-FRONT FORK	2	2			
44037	44037-1358	HOLDER-FORK UNDER	1	1			
44044	44044-020	RING-SNAP.45MM	2	2			
44044A	44044-023	RING-SNAP	2	2			
44045	44045-051	GASKET,FORK CYLINDER BOLT	2	2			
44075	44075-1119	DAMPER-SET-FORK	1	1			
92001	92001-1464	BOLT,FORK CYLINDER	2	2			
92048	92048-1096	RACE,STEERING STEM BEARING	1	1			
92049	92049-1439	SEAL-OIL,FORK OUTER TUBE	2	2			
92055	92055-1567	RING-O	2	2			
92093	92093-1389	SEAL,FORK OUTER TUBE	2	2			
92150	92150-1174	BOLT,FLANGED,10X30	4	4			
92200	92200-1365	WASHER	2	2			

This catalog covers:

'01 AN110-J4/L4 Chassis

GRID NO.

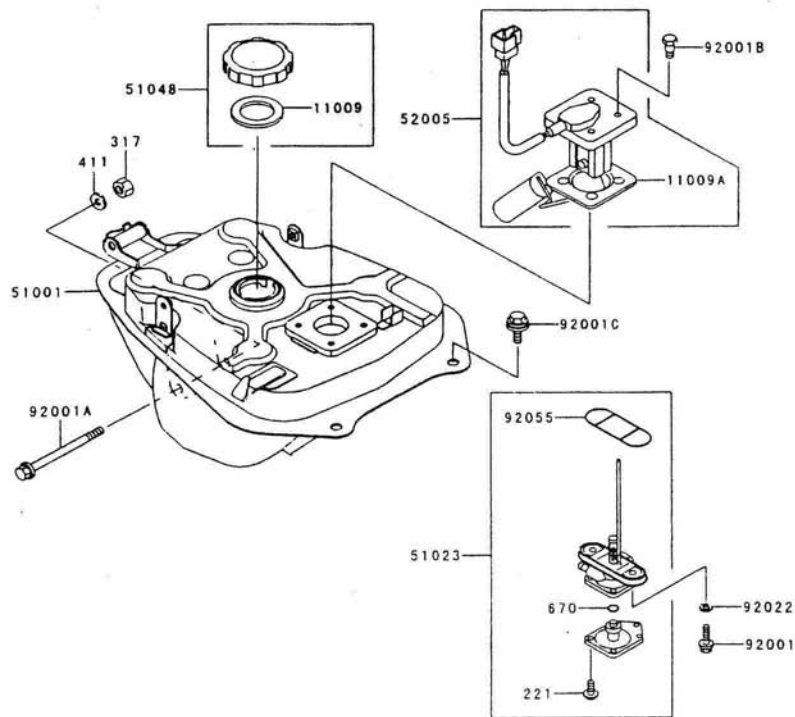
E-4

This grid covers:

Fuel Tank



F2410



Ref. No.	Part No.	Description	Spec Code	Quantity-AN110			
				01	01		
				J4	L4		
11009	11009-1326	GASKET.TANK CAP		1	1		
11009A	11009-1656	GASKET.FUEL GAUGE		1	1		
51001	51001-1599	TANK-COMP-FUEL		1	1		
51023	51023-1241	TAP-ASSY,FUEL		1	1		
51048	51048-1120	CAP-ASSY-TANK,FUEL		1	1		
52005	52005-1110	GAUGE,FUEL		1	1		
92001	92001-1091	BOLT,6X20		2	2		
92001A	92001-1583	BOLT,FLANGED,8X70		1	1		
92001B	92001-1705	BOLT,FUEL GAUGE		4	4		
92001C	92001-1862	BOLT,W/SP,6X14		2	2		
92022	92022-183	WASHER,6.2X11X1.5		2	2		
92055	92055-1586	RING-O,FUEL TAP PACKING		1	1		
221	221B0414	SCREW-CSK-CROS,4X14		5	5		
317	317B0800	NUT-HEX-SMALL,8MM		1	1		
411	411B0800	WASHER-PLAIN,8MM		1	1		
670	670B1504	O RING,4MM		1	1		

This catalog covers:

'01 AN110-J4/L4 Chassis

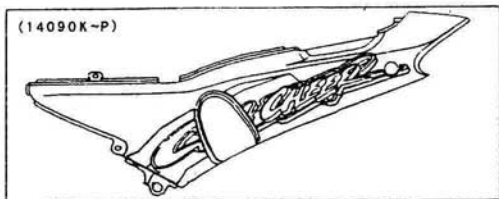
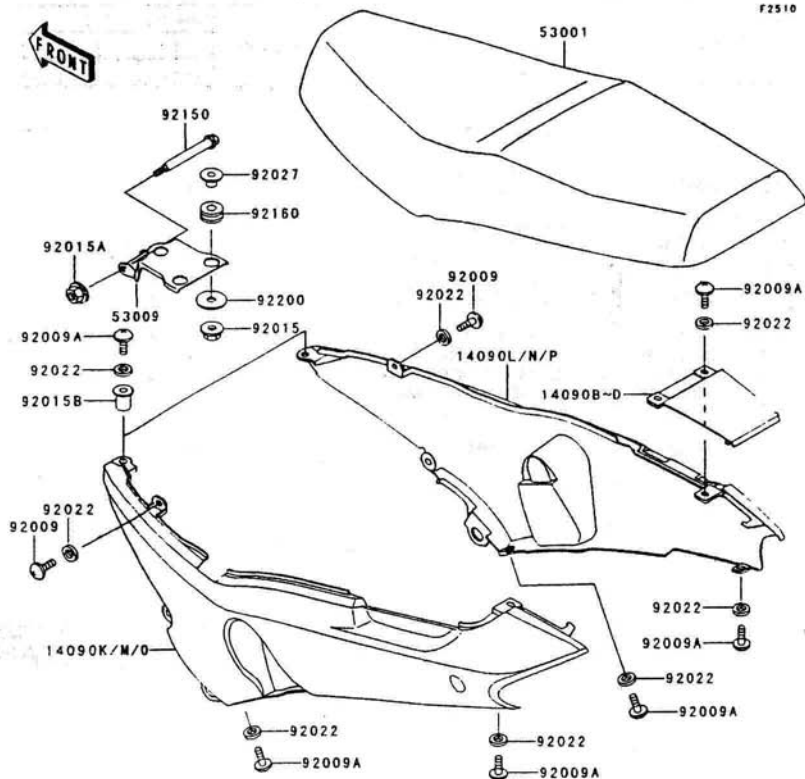
GRID NO.

E-5

This grid covers:

Seat

F2510



WD

Ref. No.	Part No.	Description	Spec Code	Quantity-AN110			
				'01			
				J4	L4		
14090B	14090-1816-DU	COVER,SEAT,CNT,P.A.RED		1	1		
14090C	14090-1816-G6	COVER,SEAT,CNT,C.B.BLUE		1	1		
14090D	14090-1816-R8	COVER,SEAT,CNT,P.BOULOGNE		1	1		
14090K	14090-5078-DU	COVER,SEAT,LH,P.A.RED		1	1		
14090L	14090-5079-DU	COVER,SEAT,RH,P.A.RED		1	1		
14090M	14090-5081-G6	COVER,SEAT,LH,C.B.BLUE		1	1		
14090N	14090-5082-G6	COVER,SEAT,RH,C.B.BLUE		1	1		
14090O	14090-5083-R8	COVER,SEAT,LH,P.BOULOGNE		1	1		
14090P	14090-5084-R8	COVER,SEAT,RH,P.BOULOGNE		1	1		
53001	53001-A031	SEAT-ASSY.BLACK		1	1		
53009	53009-1087	HINGE,SEAT		1	1		
92009	92009-1651	SCREW,5X10		2	2		
92009A	92009-1656	SCREW,5X20,BLACK		8	8		
92015	92015-1233	NUT,FLANGED,6MM,BLACK		3	3		
92015A	92015-1603	NUT,LOCK,FLANGED,6MM		1	1		
92015B	92015-1757	NUT,WELL,5MM		2	2		
92022	92022-1521	WASHER,NYLON,5.3X11.5X1.5		10	10		
92027	92027-251	COLLAR,L=13.1		3	3		
92150	92150-1716	BOLT,6X55		1	1		
92160	92160-1294	DAMPER		3	3		
92200	92200-1087	WASHER,6.5X22X1.6		3	3		

This catalog covers:

'01 AN110-J4/L4 Chassis



GRID NO.

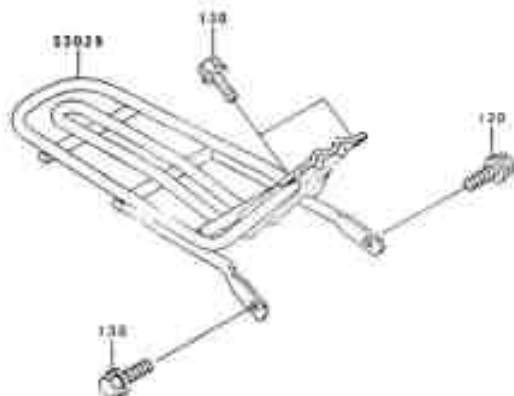
E-6

This grid covers:

Carrier(s)

FIGURE

Part No.	Part No.	Description	Spec Code	Quantity AN110			
				J4	L4		
53029	53029-1160	CARRIER FR		1	1		
130	130-0616	BOLT-FLANGED AXLE		4	4		



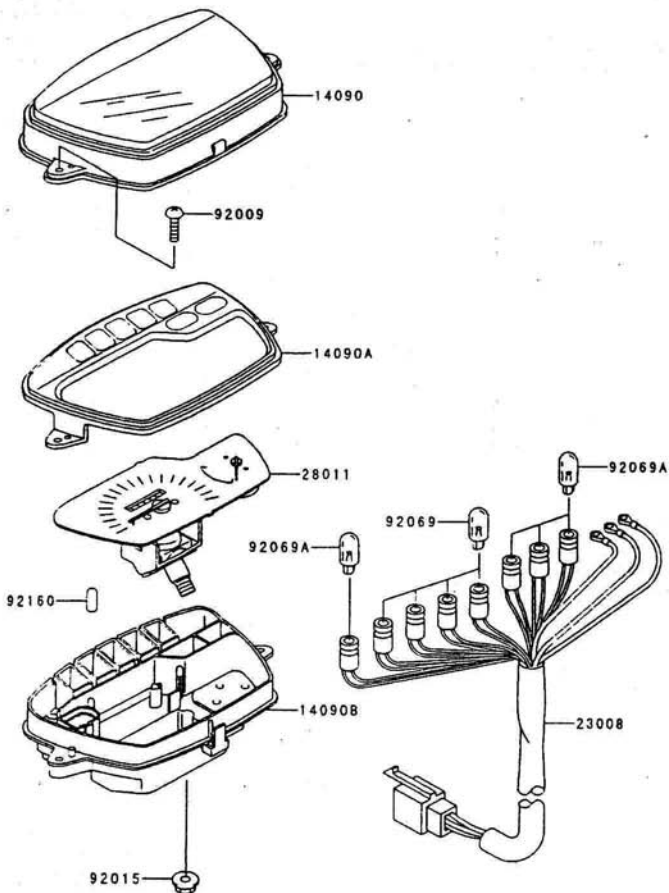
This catalog covers:

'01 AN110-J4/L4 Chassis

GRID NO. This grid covers:

E-7 Meter(s)

F2530



Ref. No.	Part No.	Description	Spec Code	Quantity-AN110			
				'01 J4	'01 L4		
14090	14090-1831	COVER,UPP		1	1		
14090A	14090-1832	COVER,REFLECTOR		1	1		
14090B	14090-1833	COVER,LWR		1	1		
23008	23008-1581	SOCKET-ASSY,METER		1	1		
28011	28011-1164	METER,SPEEDOMETER&FUEL		1	1		
92009	92009-1163	SCREW,TAPPING,4X16		2	2		
92015	92015-1259	NUT,FLANGED,5MM		3	3		
92069	92069-1068	BULB,12V 3W,T6.5		4	4		
92069A	92069-1070	BULB,12V 1.7W,T6.5		4	4		
92160	92160-1367	DAMPER,METER REFLECTOR		2	2		

This catalog covers:

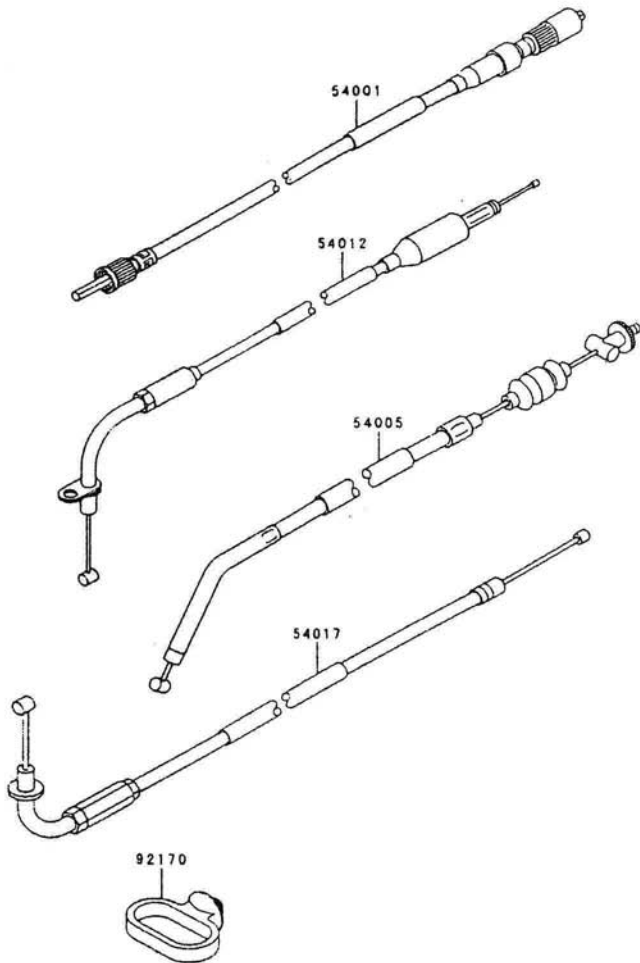
'01 AN110-J4/L4 Chassis

GRID NO

E-8

This grid covers:

Cables



F2540

Ref. No.	Part No.	Description	Spec Code	Quantity-AN110			
				'01	'01		
	J4	L4					
54001	54001-1216	CABLE-SPEEDMETER		1	1		
54005	54005-1193	CABLE-BRAKE		1	1		
54012	54012-1532	CABLE-THROTTLE		1	1		
54017	54017-1191	CABLE-STARTER		1	1		
92170	92170-1574	CLAMP,CABLE		1	1		

This catalog covers:

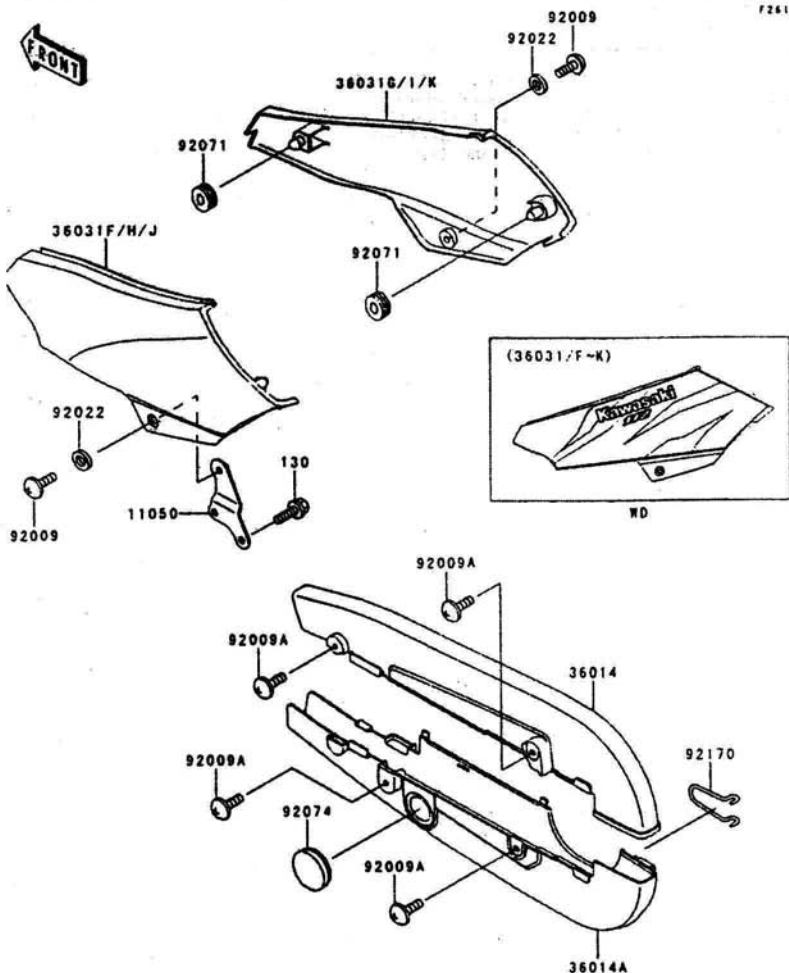
'01 AN110-J4/L4 Chassis

GRID NO

E-9

This grid covers:

Side Covers/Chain Cover



Ref. No.	Part No.	Description	Spec Code	Quantity-AN110			
				'01 J4	'01 L4		
11050	11050-1339	BRACKET,SIDE COVER		1	1		
36014	36014-1223	CASE-CHAIN,UPP		1	1		
36014A	36014-1214	CASE-CHAIN,LWR		1	1		
36031F	36031-5417-DU	COVER-SIDE,LH,P.A.RED		1	1		
36031G	36031-5418-DU	COVER-SIDE,RH,P.A.RED		1	1		
36031H	36031-5419-G6	COVER-SIDE,LH,C.B.BLUE		1	1		
36031I	36031-5420-G6	COVER-SIDE,RH,C.B.BLUE		1	1		
36031J	36031-5421-F8	COVER-SIDE,LH,P.BOULOGNE		1	1		
36031K	36031-5422-F8	COVER-SIDE,RH,P.BOULOGNE		1	1		
92009	92009-1652	SCREW,5X12		2	2		
92009A	92009-1662	SCREW,6X14		4	4		
92022	92022-1521	WASHER,NYLON,5.3X11.5X1.5		2	2		
92071	92071-1043	GROMMET		4	4		
92074	92074-004	PLUG,34X1		1	1		
92170	92170-1753	CLAMP		1	1		
130	130J0610	BOLT-FLANGED		2	2		

This catalog covers:

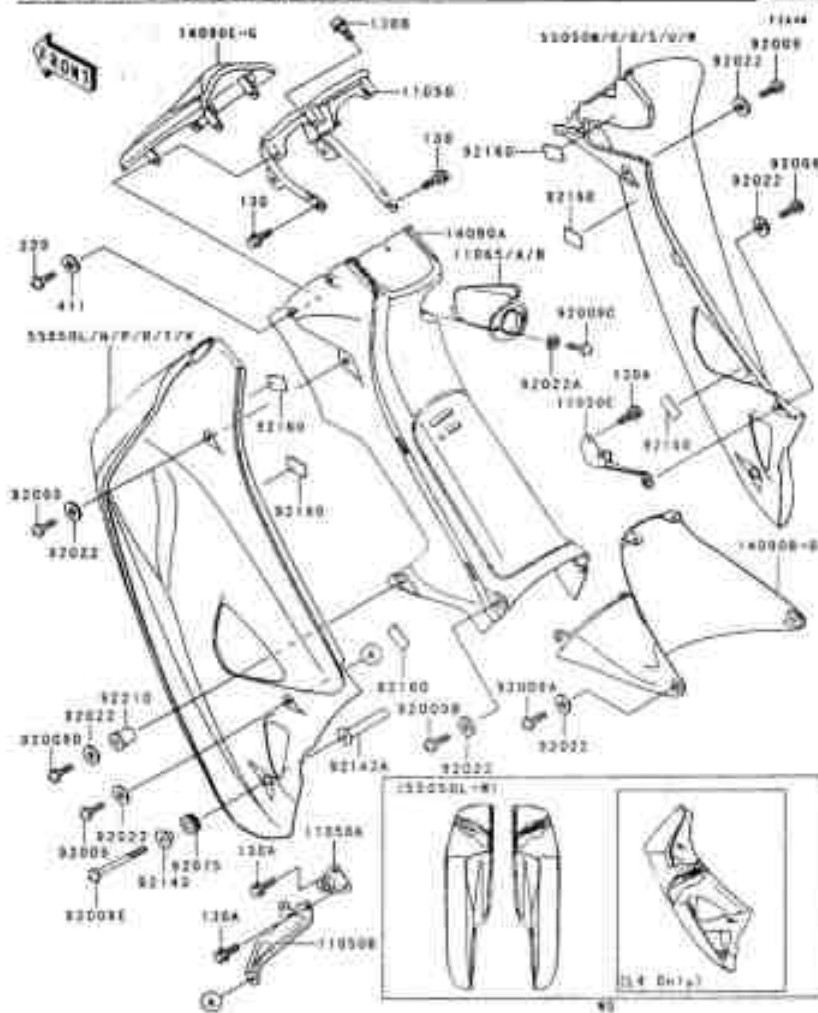
'01 AN110-J4/L4 Chassis

GRID NO.

This grid covers:

E-10

Leg Shield(1/2)



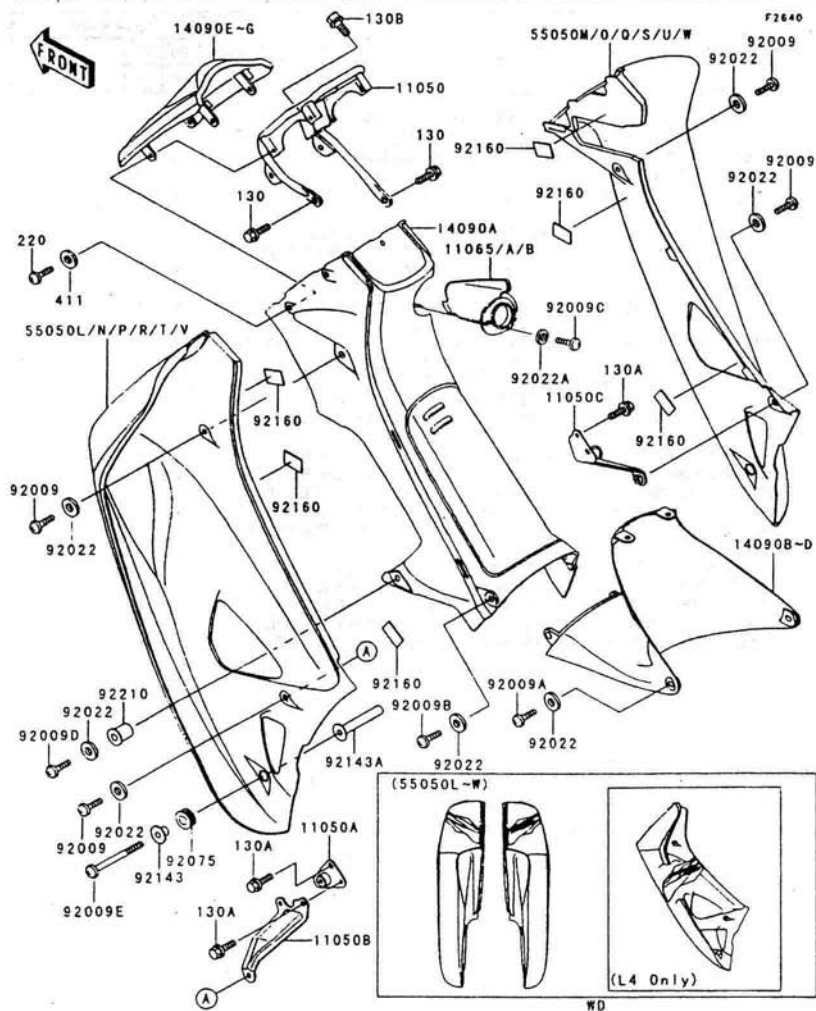
Ref. No.	Part No.	Description	Spec Code	Qty/AN110			
				J4	L4		
11050	11050-1230	BRACKET,FRONT COVER		1	1		
11050A	11050-1233	BRACKET,LEG SHIELD,LH		1	1		
11050B	11050-1234	BRACKET,LEG SHIELD,LH		1	1		
11050C	11050-1235	BRACKET,LEG SHIELD,RH		1	1		
11065	11065-1058-DU	CAPIGNITION SWITCH,P.A. RED		1	1		
11065A	11065-1058-G6	CAPIGNITION SWITCH,C.B. BLUE		1	1		
11065B	11065-1058-RB	CAPIGNITION SWITCH,P. BOULOGNE		1	1		
14090A	14090-1818	COVER,STEP THROUGH,FR		1	1		
14090B	14090-1819-DU	COVER,STEP THROUGH,RR, P.A. RED		1	1		
14090C	14090-1819-G6	COVER,STEP THROUGH,RR, C.B. BLUE		1	1		
14090D	14090-1819-RB	COVER,STEP THROUGH,RR, BOULOGNE		1	1		
14090E	14090-5080-DU	COVER,FRONT,P.A. RED		1	1		
14090F	14090-5080-G6	COVER,FRONT,C.B. BLUE		1	1		
14090G	14090-5080-RB	COVER,FRONT,P. BOULOGNE		1	1		
55050L	55050-5473-DU	COWL,LEG SHIELD,LH,P.A. RED		1			
55050M	55050-5473-DU	COWL,LEG SHIELD,RH,P.A. RED		1			
55050N	55050-5474-G6	COWL,LEG SHIELD,LH,C.B. BLUE		1			
55050O	55050-5475-G6	COWL,LEG SHIELD,RH,C.B. BLUE		1			
55050P	55050-5476-RB	COWL,LEG SHIELD,LH,BOULOGNE		1			
55050Q	55050-5477-RB	COWL,LEG SHIELD,RH,BOULOGNE		1			
55050R	55050-5478-DU	COWL,LEG SHIELD,LH,P.A. RED			1		
55050S	55050-5479-DU	COWL,LEG SHIELD,RH,P.A. RED			1		
55050T	55050-5480-G6	COWL,LEG SHIELD,LH,C.B. BLUE			1		
55050U	55050-5481-G6	COWL,LEG SHIELD,RH,C.B. BLUE			1		
55050V	55050-5482-RB	COWL,LEG SHIELD,LH,BOULOGNE			1		

This catalog covers:

'01 AN110-J4/L4 Chassis

GRID NO. This grid covers:

E-11 Leg Shield(2/2)



Ref. No.	Part No.	Description	Spec Code	Quantity-AN110			
				'01	'01	J4	L4
55050W	55050-5483-R8	COWLING,LEG SHIELD,RH,BOULOGNE					1
92009	92009-1111	SCREW,6X18,WHITE		4	4		
92009A	92009-1298	SCREW,6X20		2	2		
92009B	92009-1465	SCREW,6X25		2	2		
92009C	92009-1654	SCREW,5X16,BLACK		1	1		
92009D	92009-1664	SCREW,6X22		1	1		
92009E	92009-1783	SCREW,6X80		2	2		
92022	92022-1143	WASHER,6.5X16X1		9	9		
92022A	92022-1521	WASHER,NYLON,5.3X11.5X1.5		1	1		
92075	92075-1634	DAMPER		2	2		
92143	92143-1016	COLLAR,L=9.6		2	2		
92143A	92143-1940	COLLAR		2	2		
92160	92160-1679	DAMPER		6	6		
92210	92210-1151	NUT,WELL,6MM		1	1		
130	130J0612	BOLT-FLANGED		2	2		
130A	130J0614	BOLT-FLANGED,6X14,BLACK		5	5		
130B	130J0812	BOLT-FLANGED		1	1		
220	220C0514	SCREW-PAN-CROS		4	4		
411	411F0500	WASHER-PLAIN,5MM,BLACK		4	4		

This catalog covers:

'01 AN110-J4/L4 Chassis

GRID NO

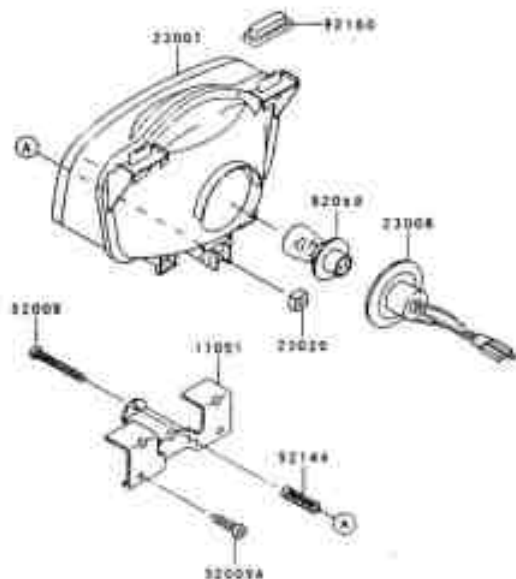
E-12

This grid covers:

Headlight(s)



77116



Ref. No.	Part No.	Description	Spec Code	Quantity-AN110			
				J4	L4		
11051	11051-1606	BRACKET,HEAD LAMP		1	1		
23007	23007-A013	LENS-COMP HEAD LAMP		1	1		
23006	23006-1607	SOCKET-ASSY,HEAD LAMP		1	1		
23020	23020-018	NUT,4MM,FOCUS ADJUST.		1	1		
92009	92009-1773	SCREW		1	1		
92099A	92099-1730	SCREW,TAPPING,XX14		2	2		
92098	92098-1112	BULB,12V,25/25W		1	1		
92144	92144-1064	SPRING		1	1		
92160	92160-1304	DAMPER		2	2		

This catalog covers:

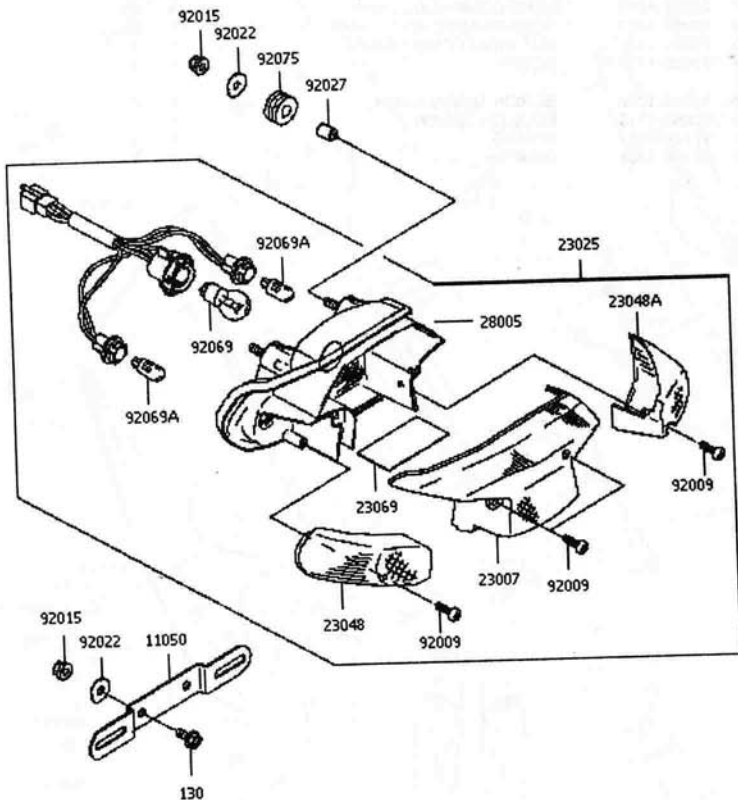
'01 AN110-J4/L4 Chassis

GRID NO. This grid covers:

E-13

Taillight(s)

F2720



Ref. No.	Part No.	Description	Spec Code	Quantity-AN110			
				'01	'01		
11050	11050-1782-AM	BRACKET,LICENSE PLATE		1	1		
23025	23025-1266	LAMP-TAIL		1	1		
23007	23007-A012	LENS,TAIL LAMP		1	1		
23069	23069-A001	LENS,LICENSE		1	1		
23048	23048-A113	LENS-SIGNAL LAMP,LH		1	1		
23048A	23048-A114	LENS-SIGNAL LAMP,RH		1	1		
28005	28005-A700	BODY-COMP-TAIL LAMP		1	1		
92009	92009-1140	SCREW		4	4		
92015	92015-1193	NUT,FLANGED,6MM		5	5		
92022	92022-125	WASHER,6.5X20X1.6		5	5		
92027	92027-162	COLLAR,6.8X10X12		3	3		
92069	92069-057	BULB,12V 18/5W		1	1		
92069A	92069-1088	BULB,12V 10W		2	2		
92075	92075-1690	DAMPER		3	3		
130	130D0614	BOLT-FLANGED,6X14		2	2		

This catalog covers:

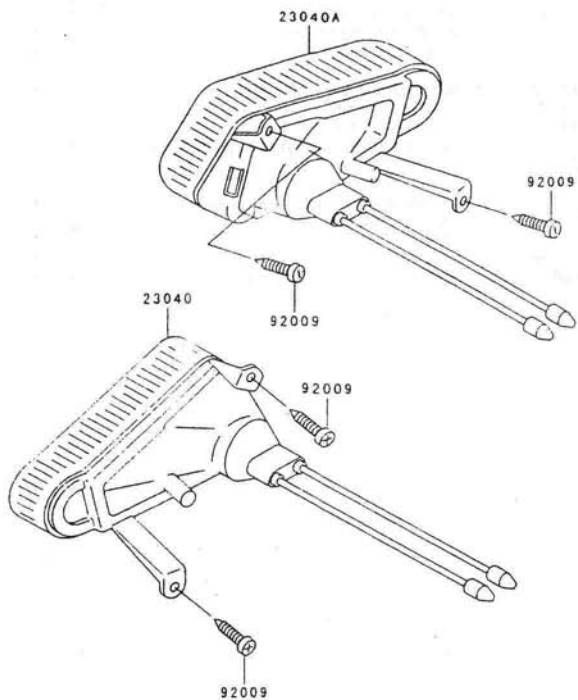
'01 AN110-J4/L4 Chassis

GRID NO.

E-14

This grid covers:

Turn Signals



F 2730

Ref. No.	Part No.	Description	Spec Code	Quantity-AN110			
				01	'01		
23040	23040-1273	LAMP-SIGNAL,FR,LH		1	1		
23040A	23040-1274	LAMP-SIGNAL,FR,RH		1	1		
92009	92009-1792	SCREW,TAPPING,4X14		4	4		

This catalog covers:

'01 AN110-J4/L4 Chassis

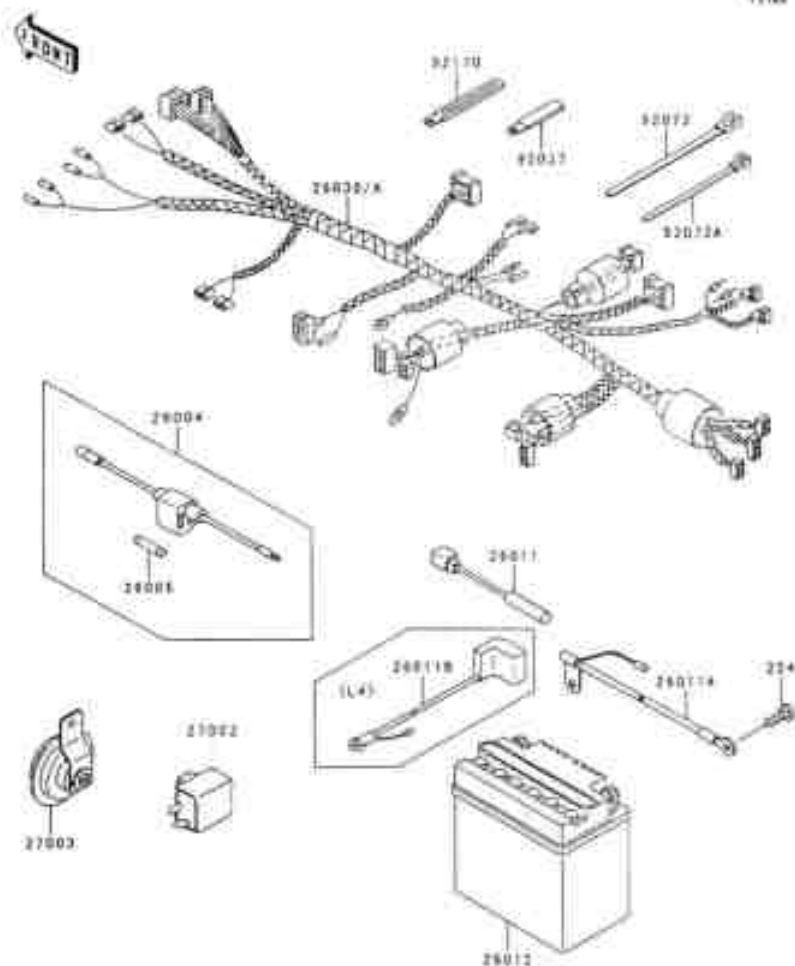
GRID NO.

F-3

This grid covers:

Chassis Electrical Equipment

1018A



Ref. No.	Part No.	Description	Spec. Code	Quantity-AN110			
				D1	O1		
26004	26004-1088	FUSE ASSY		1	1		
26006	26006-1071	FUSE 15A Lx30		2	2		
26011	26011-1651	WIRE LEAD BATTERY (+)		1	1		
26011A	26011-1652	WIRE LEAD BATTERY (-)		1	1		
26011B	26011-1653	WIRE LEAD BATTERY (+)		1	1		
26012	26012-1380	BATTERY/FBSL B. 12V 5AH		1	1		
26030	26030-1715	HARNES MAIN		1	1		
26030A	26030-1716	HARNES MAIN				1	1
27002	27002-1103	RELAY ASSY TURN SIGNAL LIMITER SA		1	1		
27003	27003-1394	HORN		1	1		
92027	92027-1059	CLAMP WIRING HARNES L=80		1	1		
92072	92072-1231	BAND L=250		2	2		
92072A	92072-1232	BAND L=140		1	1		
92170	92170-1688	CLAMP		1	1		
224	22400610	SCREW PAN WF CROSSX10		2	2		

This catalog covers:

'01 AN110-J4/L4 Chassis

GRID NO.

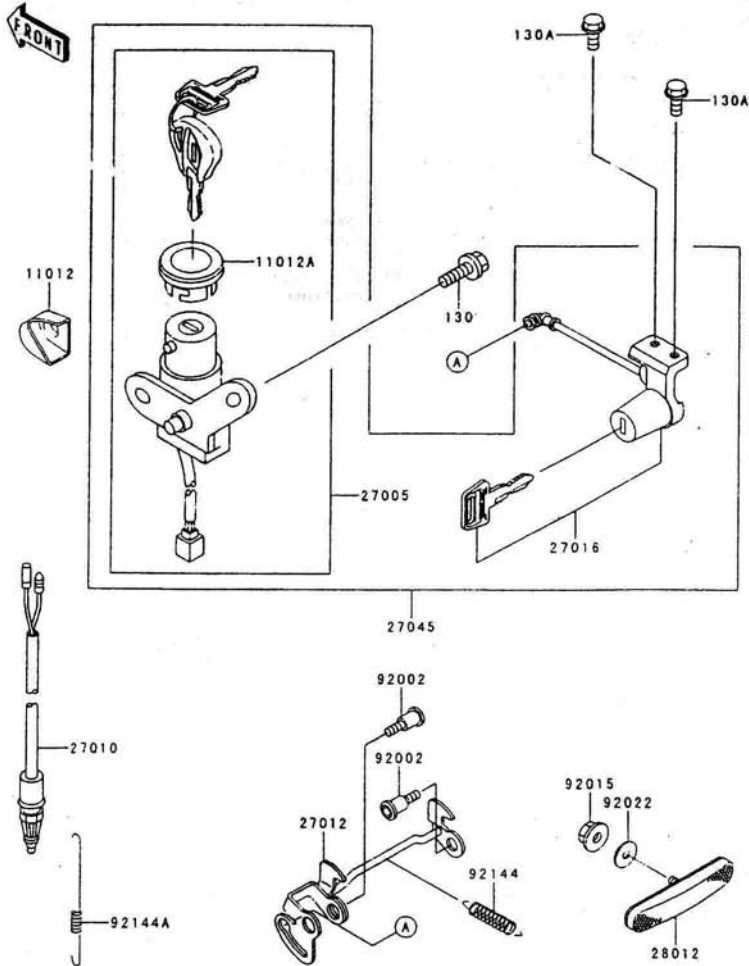
F-4

This grid covers:

Ignition Switch

F2770

Ref. No.	Part No.	Description	Spec Code	Quantity-AN110			
				'01	'01		
				J4	L4		
11012	11012-1927	CAPIGNITION SWITCH		1	1		
11012A	11012-1962	CAPIGNITION SWITCH		2	2		
27005	27005-1237	SWITCH-ASSY-IGNITION		1	1		
27010	27010-1298	SWITCH,REAR BRAKE		1	1		
27012	27012-1549	HOOK,SEAT		1	1		
27016	27016-5223	LOCK-ASSY,SEAT		1	1		
27045	27045-5099	SWITCH-ASSY		1	1		
28012	28012-1074	REFLECTOR-REFLEX		1	1		
92002	92002-1616	BOLT,SOCKET,6MM		2	2		
92015	92015-1193	NUT,FLANGED,6MM		1	1		
92022	92022-125	WASHER,6.5X20X1.6		1	1		
92144	92144-1120	SPRING		1	1		
92144A	92144-1191	SPRING,BRAKE LAMP SWITCH		1	1		
130	130H0616	BOLT-FLANGED,6X16		2	2		
130A	130J0608	BOLT-FLANGED,6X8		2	2		



This catalog covers:

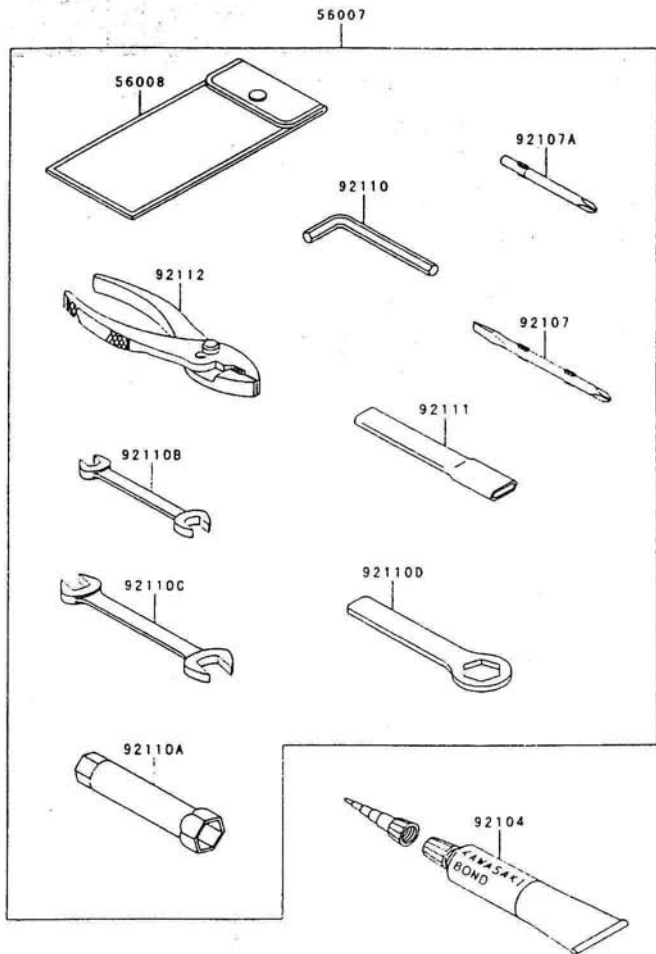
'01 AN110-J4/L4 Chassis

GRID NO.

F-5

This grid covers:

Owner's Tools



F2810

Ref. No.	Part No.	Description	Spec Code	Quantity-AN110			
				'01	01		
				J4	L4		
56007	56007-1429	TOOL-KIT	1	1			
56008	56008-1084	BAG TOOL	1	1			
92104	92104-002	GASKET-LIQUID TUBE,100G.SILVER	1	1			
92107	92107-1060	TOOL-DRIVER,#2PHILLIPS&SLOT	1	1			
92107A	92107-1061	TOOL-DRIVER,#3PHILLIPS	1	1			
92110	92110-1205	TOOL-WRENCH.ALLEN,5MM	1	1			
92110A	92110-1206	TOOL-WRENCH,BOX,16MM	1	1			
92110B	92110-1207	TOOL-WRENCH,OPEN END,10X12	1	1			
92110C	92110-1208	TOOL-WRENCH,OPEN END,14X17	1	1			
92110D	92110-1209	TOOL-WRENCH,BOX END,22MM	1	1			
92111	92111-1058	TOOL-BAR,BOX END WRENCH	1	1			
92112	92112-1056	TOOL-PLIERS	1	1			

This catalog covers:

'01 AN110-J4/L4 Chassis

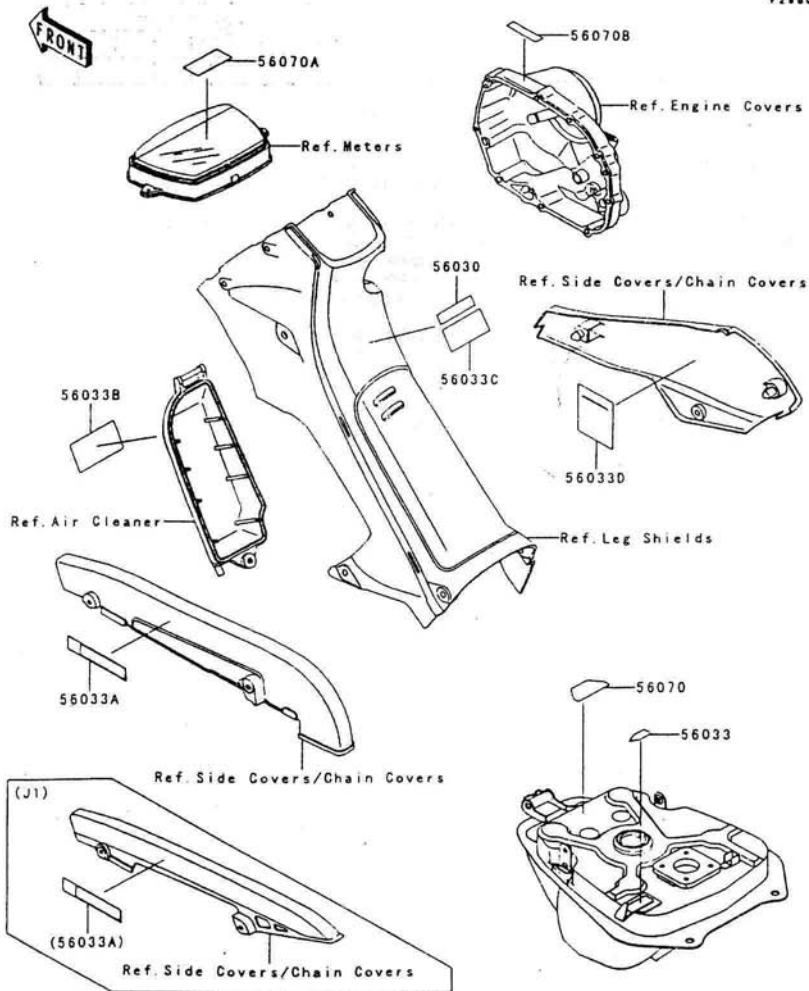
GRID NO.

F-6

This grid covers:

Labels

F2860



Ref. No.	Part No.	Description	Spec Code	Quantity-AN110			
				'01 J4	'01 L4		
56030	56030-1198	LABEL, INFORMATION		1	1		
56033	56033-1118	LABEL-MANUAL, HELMET HOOK		1	1		
56033A	56033-1119	LABEL-MANUAL, CHAIN INFO		1	1		
56033B	56033-1120	LABEL-MANUAL, AIR ELEMENT CLEAN		1	1		
56033C	56033-1121	LABEL-MANUAL, ENGINE START		1	1		
56033D	56033-1122	LABEL-MANUAL, BATTERY VENT		1	1		
56070	56070-1156	LABEL-WARNING, FUEL INFO		1	1		
56070A	56070-1157	LABEL-WARNING, SAFETY RIDING		1	1		
56070B	56070-1158	LABEL-WARNING, OIL INFO		1	1		

This catalog covers:

'01 AN110-J4/L4 Chassis

GRID NO.

F-7

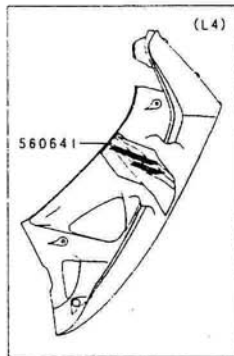
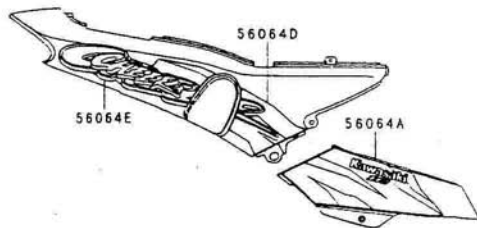
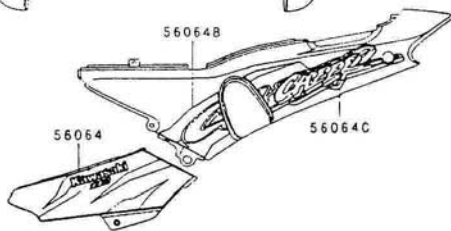
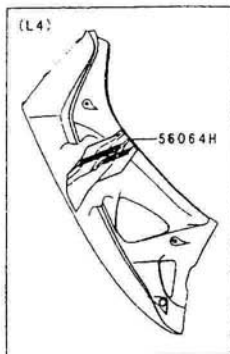
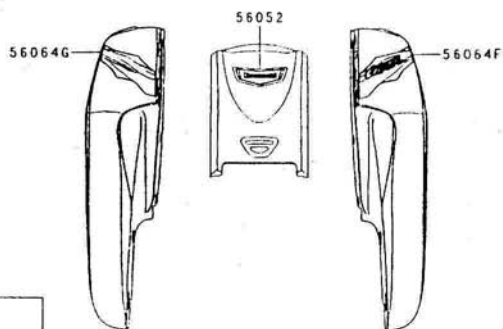
This grid covers:

Decals(Blue)

F2861

Ref. No.	Part No.	Description	Spec Code	Quantity-AN110			
				'01	'01		
				J4	L4		
56052	56052-1332	MARK FRONT COVER,KAWASAKI	1	1			
56064	56064-1106	PATTERN,SIDE COVER,LH	1	1			
56064A	56064-1107	PATTERN,SIDE COVER,RH	1	1			
56064B	56064-1108	PATTERN,SEAT COVER,FR,LH	1	1			
56064C	56064-1109	PATTERN,SEAT COVER,RR,LH	1	1			
56064D	56064-1110	PATTERN,SEAT COVER,FR,RH	1	1			
56064E	56064-1111	PATTERN,SEAT COVER,RR,RH	1	1			
56064F	56064-1112	PATTERN,LEG SHIELD,FR,LH	1	1			
56064G	56064-1113	PATTERN,LEG SHIELD,FR,RH	1	1			
56064H	56064-1114	PATTERN,LEG SHIELD,SIDE,LH		1			
56064I	56064-1115	PATTERN,LEG SHIELD,SIDE,RH		1			

FRONT



This catalog covers:

'01 AN110-J4/L4 Chassis

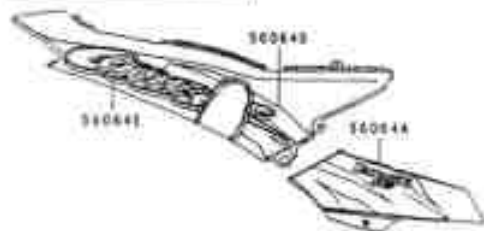
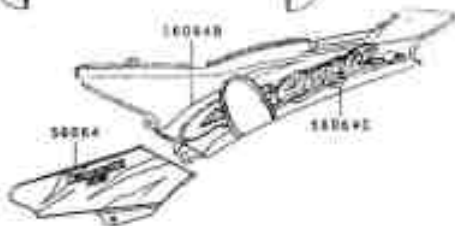
CHID NU

F-8

This part covers:

Decals(RED)

FRONT



Ref. No.	Part No.	Description	Spec Code	Quantity-AN110			
				J4	L4		
56052	56052-1332	MARK,FRONT COVER,KAWASAKI		1	1		
56064	56064-1096	PATTERN SIDE COVER,LH		1	1		
56064A	56064-1097	PATTERN SIDE COVER,RH		1	1		
56064B	56064-1098	PATTERN SEAT COVER,FR,LH		1	1		
56064C	56064-1099	PATTERN SEAT COVER,FR,RH		1	1		
56064D	56064-1100	PATTERN SEAT COVER,RR,LH		1	1		
56064E	56064-1101	PATTERN SEAT COVER,RR,RH		1	1		
56064F	56064-1102	PATTERN,LEG SHIELD,FR,LH		1	1		
56064G	56064-1103	PATTERN,LEG SHIELD,FR,RH		1	1		
56064H	56064-1104	PATTERN,LEG SHIELD,SIDE,LH		1	1		
56064I	56064-1105	PATTERN,LEG SHIELD,SIDE,RH		1	1		

This catalog covers:

'01 AN110-J4/L4 Chassis

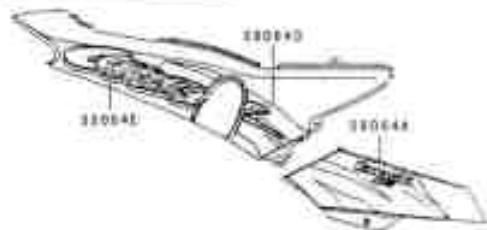
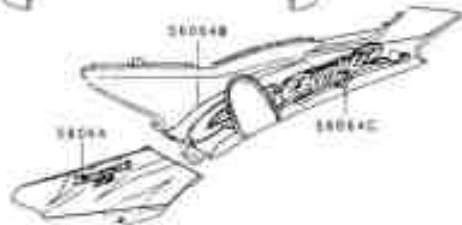
GRID NO.

This grid covers:

F-9

Decals(Boulogne)

FRONT



Ref. No.	Part No.	Description	Spec Code	Quantity-AN110			
				D1	D1		
				J4	L4		
56052	56052-1132	MASK FRONT COVER KAWASAKI		1			
56054	56054-1118	PATTERN SIDE COVER LH		1			
56054A	56054-1117	PATTERN SIDE COVER RH		1			
56054B	56054-1118	PATTERN SEAT COVER FRLH		1			
56054C	56054-1118	PATTERN SEAT COVER FRLH		1			
56054D	56054-1120	PATTERN SEAT COVER FR RH		1			
56054E	56054-1121	PATTERN SEAT COVER RR RH		1			
56054F	56054-1122	PATTERN LEG SHIELD FRLH		1			
56054G	56054-1123	PATTERN LEG SHIELD FR RH		1			
56054H	56054-1124	PATTERN LEG SHIELD SIDE LH		1			
56054I	56054-1125	PATTERN LEG SHIELD SIDE RH		1			

Part No	Grid No	Part No	Grid No	Part No	Grid No	Part No	Grid No	Part No	Grid No	Part No	Grid No
11004-1335	B-3	12020-1073	E-7	130J0614	D-13	14002-1806	C-3	16097-1051	C-6	23040-1275	E-14
11006-1354	B-3	12046-1187	B-8	130J0614	E-11	14002-1807	C-3	16115-1068	C-4	23040-1274	E-14
11009-1326	E-4	12048-1164	B-6	130J0616	D-4	14002-1816	C-3	16146-1189	B-5	235E0510	C-5
11009-1332	C-3	12055-1396	B-8	130J0612	E-11	14014-1118	B-14	16156-1063	C-5	235E0514	B-13
11009-1344	C-3	12055-1397	B-8	130J0616	D-4	14020-1100	E-11	16167-1136	C-5	235E0614	C-3
11009-1656	E-4	120P0612	B-8	130P0630	B-10	14026-1245	C-4	183H0816	B-6	26030-108E	F-3
11010-1739	B-5	13001-1512	B-4	130Y0625	B-8	14031-1342	C-4	183H0816	D-6	26006-1071	F-3
11012-1067	E-3	13002-1110	B-4	130Y0825	B-6	14032-1465	C-4	21003-1337	C-7	26011-1651	F-3
11012-1303	B-3	13005-1189	B-4	13102-1135	B-11	14037-1240	B-5	21007-1373	C-7	26011-1655	C-9
11012-1354	C-9	13024-1119	B-4	13102-1136	B-11	14041-1117	C-5	21039-1067	C-9	26011-1653	F-3
11012-1789	D-5	13024-1120	B-4	13107-1142	C-9	14073-1695	B-5	21066-1086	C-7	26011-1695	F-3
11012-1861	D-3	13025-1148	B-4	13127-1279	B-12	14073-1696	B-5	21119-1519	C-7	26012-1380	F-3
11012-1867	D-6	13025-1149	B-4	13128-1244	S-12	14090-1813	E-7	21121-1279	C-6	26030-1715	F-3
11012-1927	F-4	13027-1198	B-4	13140-1263	E-13	14090-1816-DU	E-5	21130-1003	C-8	26030-1716	F-3
11012-1940	C-5	13027-1199	B-4	13140-1289	B-13	14090-1816-G6	E-5	21132-005	C-8	27002-1103	F-3
11012-1962	F-4	13029-1255	B-4	13141-1222	B-13	14090-1816-RE	E-5	21163-1101	C-9	27005-1394	F-3
11012-1980	C-6	13029-1256	B-4	13144-1186	B-12	14090-1818	E-10	220B0514	C-7	27005-1237	F-4
11013-1245	B-5	13031-1432	B-9	13145-1081	B-13	14090-1819-DU	E-10	220B0608	C-7	27010-1298	F-4
11013-1267	B-5	13031-1462	B-9	13151-1070	B-13	14090-1819-G6	E-10	220B0614	B-14	27010-1383	D-13
11038-1124	B-5	13032-1250	B-9	13157-004	B-14	14090-1819-R8	E-10	220B0614	B-7	27012-1549	F-4
11050-1232	E-10	13034-1100	B-9	13157-004	B-14	14090-1831	E-7	220B0614	C-3	27016-5223	F-4
11050-233	E-10	13035-1083	B-9	13161-1205	B-14	14090-1832	E-7	220B0614	C-7	27045-1059	C-9
11050-234	E-10	13037-1481	B-9	13183-1480	B-11	14090-1833	E-7	220B0625	C-6	27045-5099	F-4
11050-235	E-10	13042-1110	D-13	13194-1102	C-9	14090-1834	C-4	220B0625	C-7	28011-1164	E-7
11050-1262	D-4	13061-1603	D-13	13194-1103	B-11	14090-1839	D-4	220B0630	C-6	28012-1074	F-4
11050-1264	D-13	13061-1739	B-10	13206-1006	E-10	14090-1845	B-3	220C0416	D-13	311B0600	C-9
11050-1265	D-13	13063-002	B-10	13236-1256	B-14	14090-5078-DU	E-5	220C0514	E-11	315B1000	D-11
11050-1331	D-13	13064-1193	B-10	13236-1288	B-14	14090-5079-DU	E-5	220C0535	D-13	315G1200	D-6
11050-1339	E-9	13066-1089	B-10	13242-1349	B-14	14090-5080-DU	E-10	220C0540	D-14	317B0800	D-12
11050-1782	E-13	13070-1035	B-10	13242-1350	B-14	14090-5080-G6	E-10	220C0545	D-14	317B0800	E-4
11051-1176	D-4	13070-1319	C-3	13260-1856	E-12	14090-5080-R8	E-10	220C0608	D-14	32085-1428	B-7
11051-1666	E-12	13078-1052	B-10	13260-1857	B-12	14090-5081-G6	E-5	220X0612	C-3	32085-1515	B-12
11060-1700	C-5	13086-1065	B-11	13260-1858	B-12	14090-5082-G6	E-5	220X0620	C-4	32097-1169	D-4
11060-1794	B-3	13087-1151	B-11	13260-1859	B-12	14090-5083-R8	E-5	220X0625	C-4	32098-1119	D-4
11060-1796	B-4	13088-1111	B-11	13260-1860	B-12	14090-5084-R8	E-5	220X0625	C-9	32109-1262	D-4
11060-1797	C-4	13089-1087	B-11	13260-1861	B-12	15003-1579	C-5	220X0635	C-4	32151-1961	C-3
11060-1798	C-4	13091-1086	B-13	13270-1754	C-7	16007-1103	C-5	220X0645	C-4	32160-1482	D-3
11060-1843	B-6	13091-1782	B-11	13270-1800	C-4	16007-1187	B-7	220X0650	C-3	33001-1553-CE	D-5
11065-1059-DU	E-10	13091-1787	B-11	13270-1825	C-5	16014-1093	C-5	220X0675	C-3	33032-1184	D-5
11065-1059-G6	E-10	13091-1974	D-13	13270-1961	C-7	16017-1399	C-5	221B0414	E-4	33040-1120	D-5
11065-1059-R8	E-10	13095-1309	B-11	13271-1500	B-5	16021-1203	C-5	223D0406	C-9	33040-1168	D-5
11065-1064	B-5	13095-1349	B-11	13271-1501	B-5	16030-1082	C-5	223D0516	C-9	34003-1466	D-6
112C0625	D-13	130D0614	E-13	13280-1092	C-5	16031-1088	C-5	223X0610	B-6	34011-1183	D-8
112G0520	B-11	130G0520	C-8	13280-1108	C-9	16060-1079	B-3	224D0610	F-3	34019-1054	D-8
115H0820	D-13	130G0816	D-4	132E0616	D-5	16073-1102	B-3	23007-1379	E-12	34024-1358	D-8
12004-1128	B-7	130H0616	E-6	132G0625	B-8	16073-1108	B-3	23008-1581	E-7	34025-005	D-8
12005-1278	B-7	130H0616	F-4	132Y0620	B-3	16082-1052	C-6	23008-1607	E-12	34028-1437	D-6
12009-1073	B-7	130J0608	F-4	132Y0620	C-6	16085-1267	B-9	23020-018	E-12	34028-1438	D-6
12011-1053	B-7	130J0610	E-9	132Y0630	B-3	16085-1296	C-9	23025-1266	E-13	35004-1354-DU	D-7
12016-1003	B-7	130J0612	E-11	132Y0630	C-5	16085-1299	C-9	23036-1137	D-4	35004-1354-G6	D-7

This catalog covers:

'01 AN110-J4/L4

GRID NO.

This grid covers:

L-15

Numerical Parts Index

Part No.	Grid No.	Part No.	Grid No.	Part No.	Grid No.	Part No.	Grid No.	Part No.	Grid No.	Part No.	Grid No.
35004-1354-RB	D-7	41060-014	D-10	461F0600	C-9	56033-1118	F-6	601A6203	C-3	92009-1783	E-11
35004-1355	D-7	41060-1162	D-10	461F0800	D-14	56033-1119	F-6	601B6004G	D-11	92009-1792	D-13
35011-1883	D-6	41062-005	D-10	480J1600	B-10	56033-1120	F-6	601B6200G	D-10	92009-1792	E-12
35011-1884	D-6	41063-001	D-10	480J1700	B-12	56033-1121	F-6	601B6300ZG	D-10	92009-1792	E-14
35023-1468	D-7	41068-1372	D-11	482L5000	B-10	56033-1122	F-6	601B6301UG	D-11	92015-042	D-12
35023-1469	D-7	41068-1373	D-10	49002-1130	B-3	56052-1332	F-7	610A0408	B-13	92015-077	B-9
36014-1213	E-9	41082-001	D-10	49006-1223	B-5	56052-1332	F-7	670B1504	E-4	92015-1137	B-7
36014-1214	E-9	41085-013	D-10	49047-1058	B-13	56052-1332	F-9	670B1508	B-11	92015-1151	D-3
36031-5417-DU	E-9	41085-1079	D-11	49070-1160	B-6	56064-1096	F-8	670B1510	C-3	92015-1180	B-3
36031-5418-DU	E-9	410B0800	B-10	49078-1151	B-7	56064-1097	F-8	670B1510	C-6	92015-1183	B-11
36031-5419-G6	E-9	410B0800	D-6	49106-1218	B-6	56064-1098	F-8	670D2010	B-8	92015-1188	D-8
36031-5420-G6	E-9	410B1200	D-11	49106-1239	B-6	56064-1099	F-8	670D2021	B-8	92015-1191	D-13
36031-5421-RB	E-9	410F0600	D-14	49107-1121	B-6	56064-1100	F-8	92001-082	D-11	92015-1193	D-10
36031-5422-RB	E-9	410F1200	D-5	49118-1171	B-8	56064-1101	F-8	92001-1091	E-4	92015-1193	D-11
39021-1058	D-13	410F1200	D-6	51001-1599	E-4	56064-1102	F-8	92001-1455	E-3	92015-1193	E-13
39058-1070	D-13	411B0800	E-4	51023-1241	E-4	56064-1103	F-8	92001-1464	E-3	92015-1193	F-4
39063-1159	D-13	411F0500	E-11	51048-1120	E-4	56064-1104	F-8	92001-1548	D-13	92015-1233	E-5
39076-1072	C-9	42010-005	D-11	510A3200	B-9	56064-1105	F-8	92001-1583	E-4	92015-1259	E-7
39156-1590	B-5	42014-016	D-11	52005-1055	C-4	56064-1106	F-7	92001-1693	D-12	92015-1331	B-6
39184-1011	C-9	42033-1183	D-11	52005-1110	E-4	56064-1107	F-7	92001-1705	E-4	92015-1339	D-6
39193-1042	C-3	42036-1259	D-11	52010-1053	C-6	56064-1108	F-7	92001-1862	E-4	92015-1364	D-5
41009-1051	D-9	42036-1332	D-12	53001-1924-MA	E-5	56064-1109	F-7	92002-1087	D-3	92015-1402	B-6
41009-1052	D-9	42041-1521	D-11	53009-1087	E-5	56064-1110	F-7	92002-1237	B-14	92015-1406	D-5
41009-1366	D-9	43001-1387	D-12	53029-1160	E-6	56064-1111	F-7	92002-1616	F-4	92015-1428	D-6
41009-1367	D-9	43007-1168	D-12	54001-1216	E-8	56064-1112	F-7	92004-053	C-3	92015-1603	E-5
41022-1147	D-9	43011-1177	D-12	54005-1193	E-8	56064-1113	F-7	92004-1234	B-3	92015-1649	D-5
41022-1168	D-9	43012-001	D-12	54012-1532	E-8	56064-1114	F-7	92009-1057	C-5	92015-1710	D-7
41022-1232	D-9	44005-1380	E-3	54017-1191	E-8	56064-1115	F-7	92009-1104	B-10	92015-1757	E-5
41022-1233	D-9	44006-1379	E-3	55020-1608	D-5	56064-1116	F-9	92009-1109	B-7	92015-1870	D-11
41023-1002	D-9	44013-1480	E-3	55050-5472-DU	E-10	56064-1117	F-9	92009-1111	E-11	92015-1900	D-3
41023-1135	D-9	44023-1118	E-3	55050-5473-DU	E-10	56064-1118	F-9	92009-1163	E-7	92015-1901	D-3
41023-1136	D-9	44026-1652	E-3	55050-5474-G6	E-10	56064-1119	F-9	92009-1287	D-7	92022-100	D-6
41025-1385	D-9	44037-1358	E-3	55050-5475-G6	E-10	56064-1120	F-9	92009-1298	E-11	92022-1143	D-7
41025-1406	D-9	44044-020	E-3	55050-5476-RB	E-10	56064-1121	F-9	92009-1400	B-5	92022-1143	E-11
41029-1209	D-9	44044-023	E-3	55050-5477-RB	E-10	56064-1122	F-9	92009-1465	E-11	92022-1224	B-10
41030-1124	D-9	44045-051	E-3	55050-5478-DU	E-10	56064-1123	F-9	92009-1651	E-5	92022-125	E-13
41032-024	D-9	44075-1119	E-3	55050-5479-DU	E-10	56064-1124	F-9	92009-1652	E-9	92022-125	F-4
41034-1246	D-10	45014-1687	D-5	55050-5480-G6	E-10	56064-1125	F-9	92009-1654	E-11	92022-1521	E-11
41034-1253	D-11	45014-1712	D-5	55050-5481-G6	E-10	56070-1156	F-6	92009-1656	E-5	92022-1521	E-5
41035-1492	D-11	45016-008	D-5	55050-5482-RB	E-10	56070-1157	F-6	92009-1662	D-4	92022-1521	E-9
41035-1528	D-10	45017-012	D-5	55050-5483-RB	E-11	56070-1158	F-6	92009-1662	D-7	92022-1564	D-13
41036-1153	B-11	45017-015	D-5	550D2018	D-12	59051-1385	B-10	92009-1662	E-9	92022-1565	D-6
41039-002	D-10	46019-1113	D-13	550D2525	D-10	59071-1127	B-5	92009-1663	D-4	92022-1705	D-11
41048-017	D-10	46075-1156	D-13	550D3025	D-11	59441-1128-DU	D-13	92009-1664	E-11	92022-183	E-4
41048-1124	D-11	46076-1212	D-13	550D3030	D-8	59441-1128-G6	D-13	92009-1717	D-13	92022-246	D-5
41050-018	D-10	46091-1741	D-13	56001-1511	D-13	59441-1128-R8	D-13	92009-1729	B-5	92022-315	B-10
41050-1082	D-11	46091-1743	D-13	56001-1512	D-13	59441-1129	D-13	92009-1745	C-4	92025-1280	B-12
41051-001	D-11	46091-1787	D-13	56007-1429	F-5	600A0800	B-10	92009-1750	C-5	92026-1091	B-12
41053-1085	D-10	46092-1193	D-13	56008-1084	F-5	600A0800	D-3	92009-1773	E-12	92026-1217	B-14
41053-1089	D-11	46092-1210	C-13	56030-1198	F-6	601A6201	C-3	92009-1774	D-7	92026-1415	B-11

This catalog covers:
 '01 AN110-J4/L4

GHID NO. This grid covers:
L-16 Numerical Parts Index

Part No.	Grid No.	Part No.	Grid No.	Part No.	Grid No.	Part No.	Grid No.	Part No.	Grid No.	Part No.	Grid No.
92026-1464	B-11	92055-1231	B-3	92110-1205	F-5	92151-1194	D-6				
92027-162	E-13	92055-1235	B-12	92110-1206	F-5	92151-1196	D-3				
92027-251	E-5	92055-1276	C-9	92110-1207	F-5	92151-1209	D-10				
92033-1060	B-12	92055-1527	B-3	92110-1208	F-5	92151-1209	D-11				
92033-1072	B-4	92055-1528	B-3	92110-1209	F-5	92151-1212	C-4				
92033-1240	B-11	92055-1541	C-5	92111-1058	F-5	92152-1104	B-6				
92033-1247	B-3	92055-1542	C-5	92112-1056	F-5	92160-1116	B-6				
92036-016	C-5	92055-1567	E-3	92143-1016	D-4	92160-1292	D-4				
92037-1069	F-3	92055-1586	E-4	92143-1016	E-11	92160-1294	E-5				
92037-1142	C-5	92055-3018	C-6	92143-1519	D-5	92160-1304	E-12				
92037-1601	C-5	92057-1449	B-8	92143-1533	D-11	92160-1313	D-12				
92037-1712	B-5	92057-1478	D-11	92143-1661	B-11	92160-1367	E-7				
92057-1972	B-5	92058-1015	D-11	92143-1663	F-11	92160-1491	C-4				
92057-1972	C-3	92063-1325	C-5	92143-1680	B-12	92160-1527	D-13				
92043-039	D-12	92063-1326	C-5	92143-1667	D-10	92160-1679	E-11				
92043-1263	C-3	92063-1328	C-5	92143-1696	B-11	92160-1821	D-6				
92043-1263	C-6	92063-1393	C-5	92143-1857	B-8	92160-1845	D-6				
92043-1264	B-3	92063-1414	C-5	92143-1940	E-11	92160-1859	B-4				
92043-1264	B-4	92066-1174	C-3	92143-1947	D-11	92160-1860	B-4				
92043-1385	B-13	92066-1433	D-12	92144-1107	B-14	92170-1574	E-8				
92043-1542	D-12	92066-1484	D-4	92144-1120	F-4	92170-1688	F-3				
92043-1554	B-10	92069-1068	E-7	92144-1191	F-4	92170-1753	E-9				
92045-1123	B-11	92069-1070	E-7	92144-1245	B-13	92170-1848	B-5				
92045-1171	C-3	92069-1112	E-12	92144-1385	D-8	92171-1051	B-3				
92045-1293	C-3	92070-1114	C-8	92144-1556	B-11	92171-1055	C-3				
92045-1308	D-11	92071-056	D-13	92144-1590	B-14	92190-1106	D-8				
92045-1349	C-9	92071-1015	C-8	92144-1791	B-10	92191-1020	D-8				
92045-1358	C-4	92071-1043	E-9	92144-1875	C-5	92191-1142	C-5				
92046-1148	C-3	92072-1237	F-3	92144-1876	C-5	92191-1147	B-5				
92046-1223	B-11	92072-1293	F-3	92144-1880	B-11	92191-1152	C-3				
92046-1224	B-11	92072-1345	D-4	92144-1910	D-12	92191-1161	B-3				
92046-1225	B-11	92074-004	E-9	92144-1964	E-12	92191-1204	C-5				
92047-011	D-3	92075-015	B-6	92144-1994	C-5	92191-1260	C-5				
92048-006	D-3	92075-051	D-4	92145-1091	C-6	92200-1087	E-5				
92048-008	D-3	92075-1067	D-13	92145-1381	B-12	92200-1120	D-6				
92048-1074	B-11	92075-1634	D-4	92150-1174	E-3	92200-1175	D-12				
92048-1096	E-3	92075-1634	E-11	92150-1380	B-8	92200-1270	C-5				
92049-1048	C-3	92075-1690	E-13	92150-1433	B-13	92200-1365	E-3				
92049-1349	B-7	92081-076	B-14	92150-1545	D-8	92200-1414	D-13				
92049-1439	E-3	92081-122	B-10	92150-1556	C-3	92200-1446	B-6				
92049-1465	C-9	92081-1276	B-10	92150-1526	B-14	92210-1080	D-13				
92049-1489	D-10	92081-1766	D-10	92150-1667	D-12	92210-1085	D-5				
92049-1490	D-11	92081-1766	D-11	92150-1668	D-12	92210-1093	D-10				
92050-063	D-10	92092-005	D-5	92150-1689	D-7	92210-1151	E-11				
92051-003	C-4	92093-1079	C-9	92150-1716	E-5	92210-1163	B-11				
92051-005	C-3	92093-1389	E-3	92150-1719	D-13	92210-1163	B-9				
92055-004	D-10	92093-1438	B-5	92150-1761	B-3	98111-1071	B-4				
92055-049	C-4	92104-002	F-5	92150-1831	D-3						
92055-091	B-13	92107-1060	F-5	92150-1907	C-9						
92055-1053	C-5	92107-1061	F-5	92151-1069	B-11						