

Parts Catalog

Commercial Vehicle

ape' Romanza

PIAGGIO VEHICLES PRIVATE LIMITED

Registered Office: Bund Garden Road ,Opp. Residency Club , Pune (India)

PLATES INDEX

Sr No.	Plate Name	Plate No.	Page No.
1	ENGINE ASSEMBLY	1	1-2
2	CRANKCASE	2	3-4
3	Crankshaft	3	5-6
4	CYLINDER-PISTON-WRIST PIN UNIT	4	7-8
5	HEAD UNIT - VALVE	5	9-10
6	ROCKING LEVERS SUPPORT UNIT	6	11-12
7	CYLINDER HEAD COVER	7	13-14
8	OIL PUMP	8	15-16
9	STATER - ELECTRIC STARTER	9	17-18
10	FLYWHEEL MAGNETO	10	19-20
11	FLYWHEEL MAGNETO COVER - OIL FILTER	11	21-22
12	GEAR-BOX COMPONENTS	12	23-24
13	CLUTCH	13	25-26
14	DIFFERENTIAL	14	27-30
15	CARBURETOR, ASSEMBLY - UNION PIPE	15	31-32
16	CARBURETORS COMPONENTS	16	33-34
17	SILENCER	17	35-36
18	BOBINA A.T.	18	37-38
19	AIR FILTER	19	39-40
20	FRAME/BODYWORK	20	41-42
21	ENGINE MOUNTING	21	43-44
22	FRONT DOOR - GLASS	22	45-46
23	PASSENGER COMPARTMENT - DOORS	23	47-48
24	WINDSHIELD - GLASS AND HOOD FRAME ASSY	24	49-50
25	WHEEL HOUSING - MUDGUARD	25	51-52
26	PLATES-EMBLEMS	26	53-54
27	FRONT SEATS	27	55-56
28	REAR SEATS	28	57-58
29	INTERIOR - COVERING	29	59-60
30	DRIVING MIRROR/S	30	61-62

PLATES INDEX

Sr No.	Plate Name	Plate No.	Page No.
31	LOCKS	31	63-64
32	FUEL TANK	32	65-66
33	METER COMBINATION - CRUSCOTTO	33	67-68
34	HANDLEBARS - MASTER CIL.	34	69-70
35	FORK/STEERING TUBE - STEERING BEARING UNIT	35	71-74
36	REAR SUSPENSION - SHOCK ABSORBER/S	36	75-78
37	FRONT AND REAR WHEELS	37	79-80
38	REAR TRANSMISSION	38	81-82
39	BRAKING SYSTEM - TRANSMISSIONS	39	83-84
40	BRAKING SYSTEM - CABALS	40	85-86
41	BRAKING SYSTEM	41	87-88
42	CONTROL PEDALS - LEVERS	42	89-90
43	SELECTORS - SWITCHES - BUTTONS	43	91-92
44	FRONT HEADLAMPS - TURN SIGNAL LAMPS	44	93-94
45	REAR HEADLAMPS - TURN SIGNAL LAMPS	45	95-96
46	MAIN CABLE HARNESS	46	97-98
47	ELECTRICAL DEVICES	47	99-100
48	FRONT AND REAR WINDSCREEN WIPER	48	101-102

PICTORIAL PLATES INDEX

PLATE-1 ENGINE ASSEMBLY

Page No. : 1-2

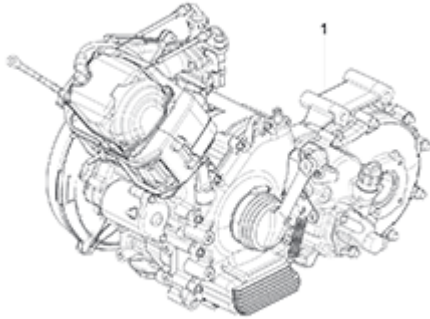


PLATE-2 CRANKCASE

Page No. : 3-4

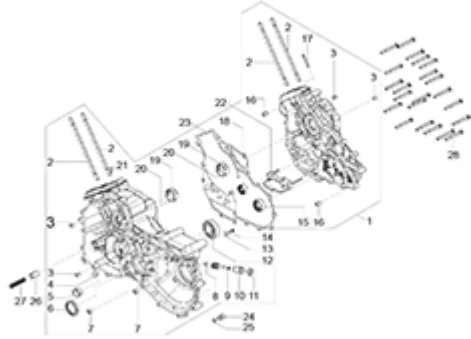


PLATE-3 Crankshaft

Page No. : 5-6

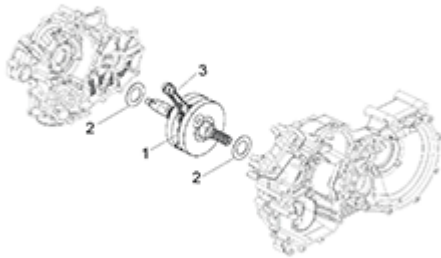


PLATE-4 CYLINDER-PISTON-WRIST PIN UNIT

Page No. : 7-8

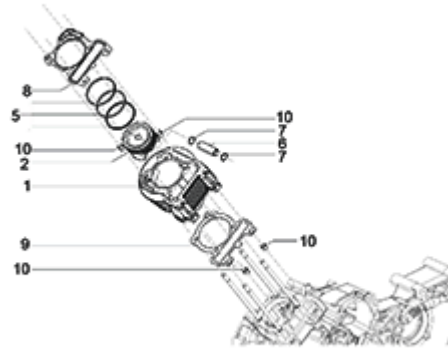


PLATE-5 HEAD UNIT - VALVE

Page No. : 9-10

PLATE-6 ROCKING LEVERS SUPPORT UNIT

Page No. : 11-12

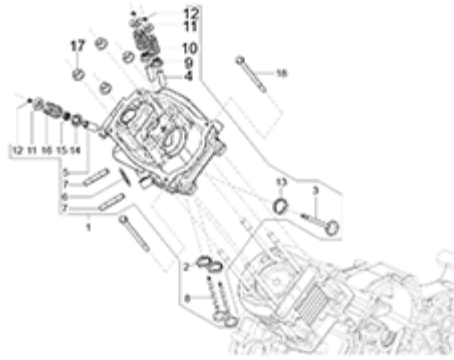


PLATE-7 CYLINDER HEAD COVER

Page No. :13-14

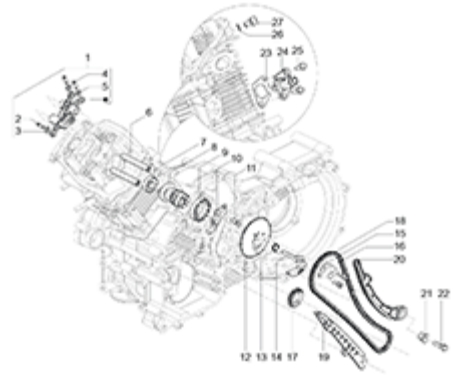
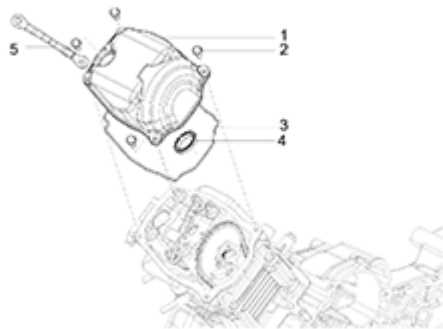
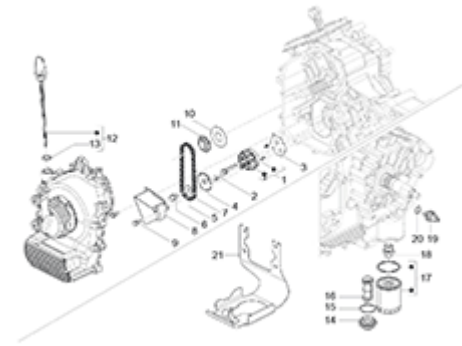


PLATE-8 OIL PUMP

Page No. :15-16



PICTORIAL PLATES INDEX

PLATE-9 STATER - ELECTRIC STARTER

Page No. :17-18

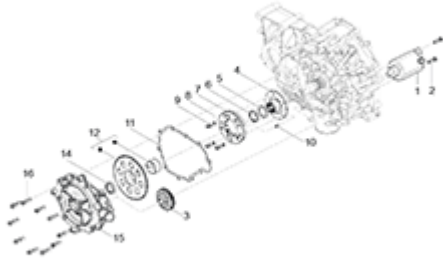


PLATE-10 FLYWHEEL MAGNETO

Page No. :19-20

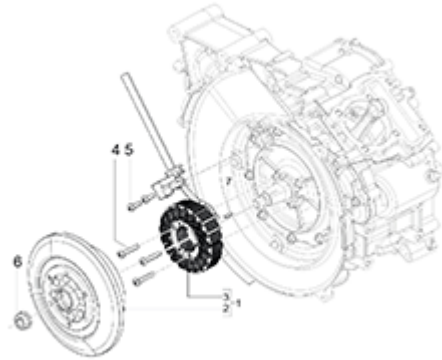


PLATE-11 FLYWHEEL MAGNETO COVER - OIL FILTER

Page No. :21-22

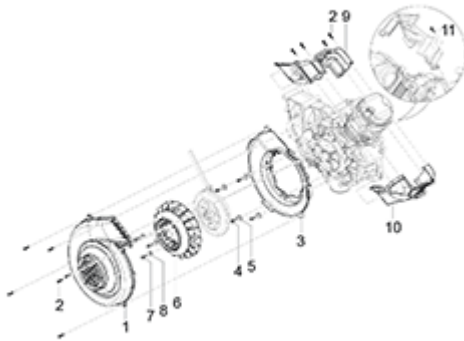


PLATE-12 GEAR-BOX COMPONENTS

Page No. :23-24

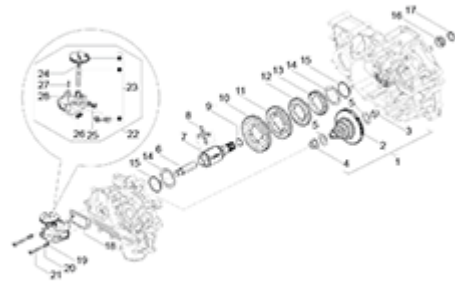


PLATE-13 CLUTCH

Page No. :25-26

PLATE-14 DIFFERENTIAL

Page No. :27-30

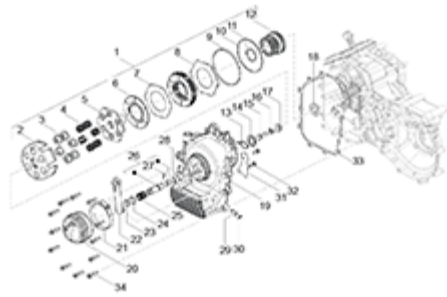


PLATE-15 CARBURETTOR, ASSEMBLY - UNION PIPE

Page No. :31-32

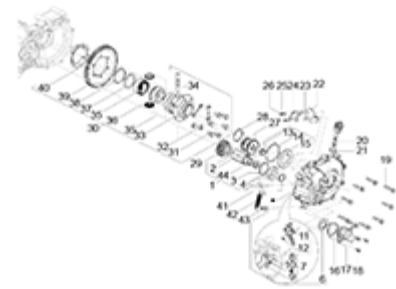
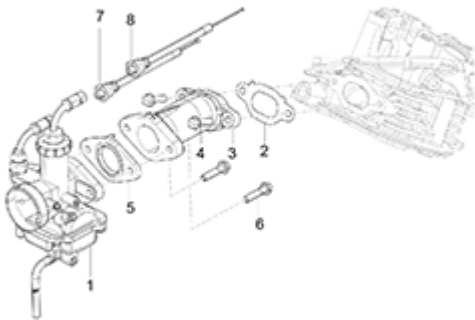
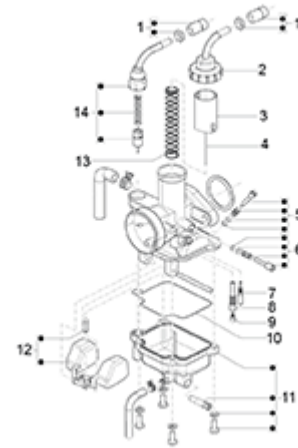


PLATE-16 CARBURETTORS COMPONENTS

Page No. :33-34



PICTORIAL PLATES INDEX

PLATE-17 SILENCER

Page No. :35-36

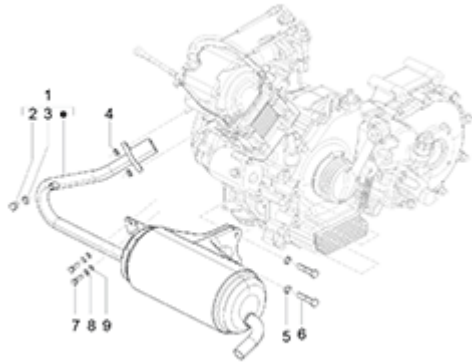


PLATE-18 BOBINA A.T.

Page No. :37-38

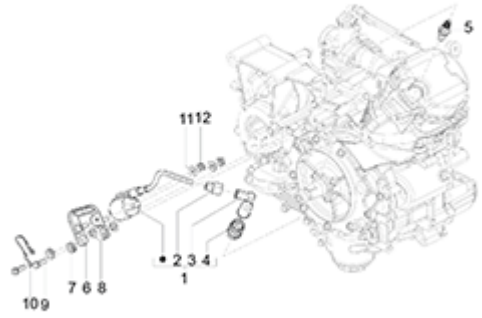


PLATE-19 AIR FILTER

Page No. :39-40

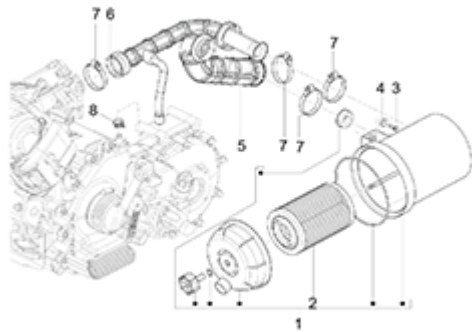


PLATE-20 FRAME/BODYWORK

Page No. :41-42

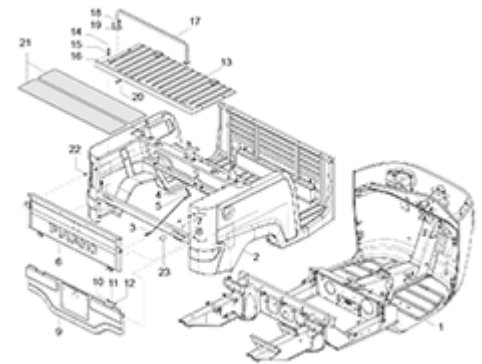


PLATE-21 ENGINE MOUNTING

Page No. :43-44

PLATE-22 FRONT DOOR - GLASS

Page No. :45-46

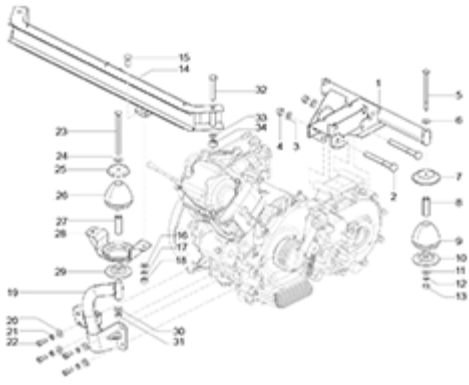


PLATE-23 PASSENGER COMPARTMENT - DOORS

Page No. :47-48

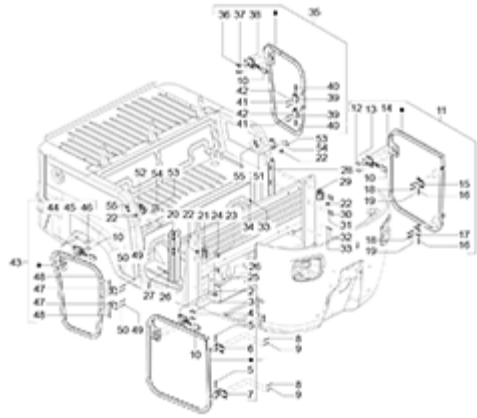
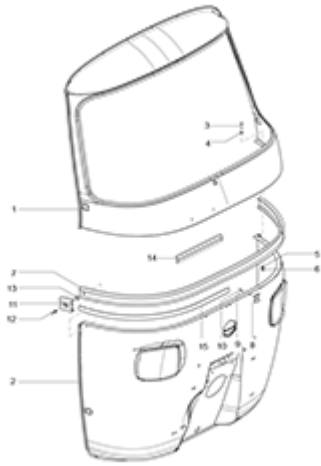
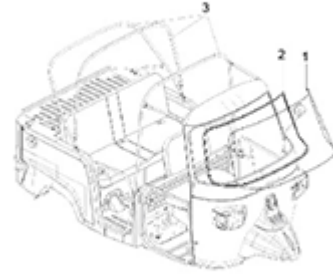


PLATE-24 WINDSHIELD - GLASS AND HOOD FRAME ASSY

Page No. :49-50



PICTORIAL PLATES INDEX

PLATE-25 WHEEL HUOSING - MUDGUARD

Page No. :51-52

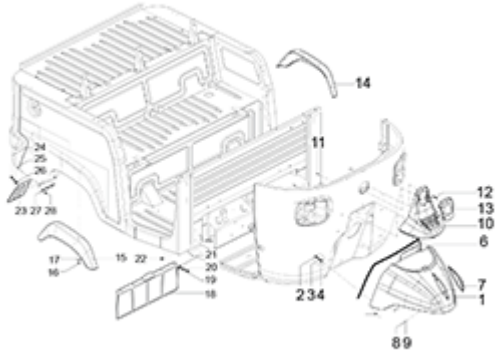


PLATE-26 PLATES-EMBLEMS

Page No. :53-54



PLATE-27 FRONT SEATS

Page No. :55-56

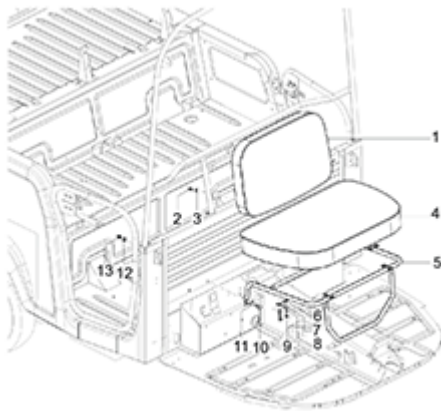


PLATE-28 REAR SEATS

Page No. :57-58

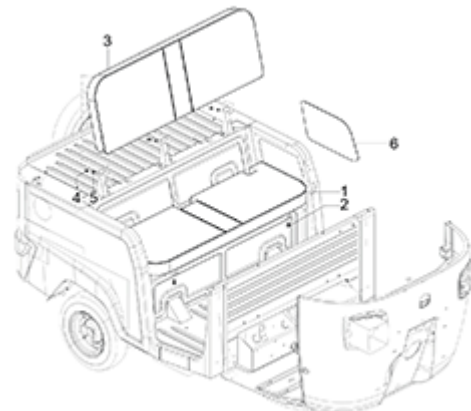


PLATE-29 INTERIOR - COVERING

Page No. :59-60

PLATE-30 DRIVING MIRROR/S

Page No. :61-62

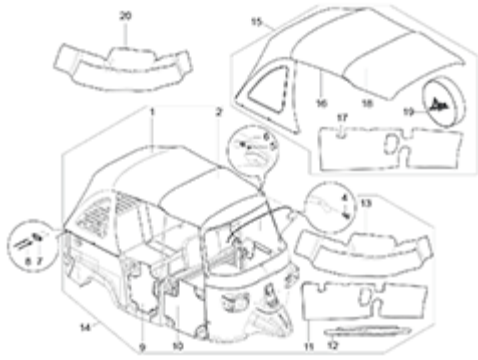


PLATE-31 LOCKS

Page No. :63-64

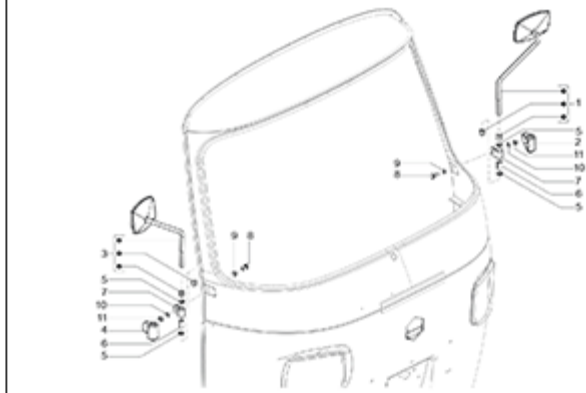
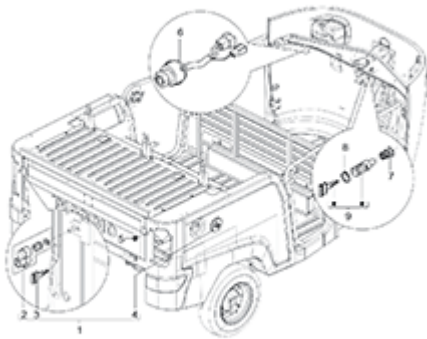
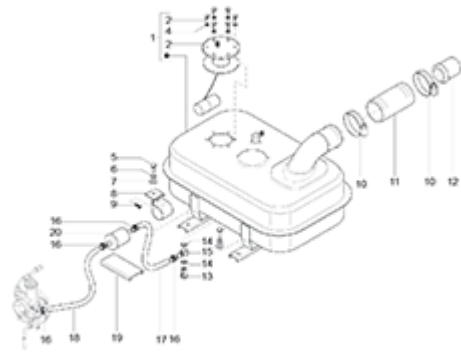


PLATE-32 FUEL TANK

Page No. :65-66



PICTORIAL PLATES INDEX

PLATE-33 METER COMBINATION - CRUSCOTTO

Page No. :67-68

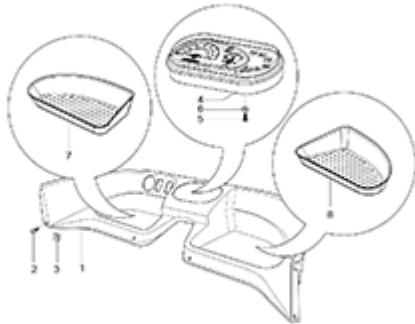


PLATE-34 HANDLEBARS - MASTER CIL.

Page No. :69-70

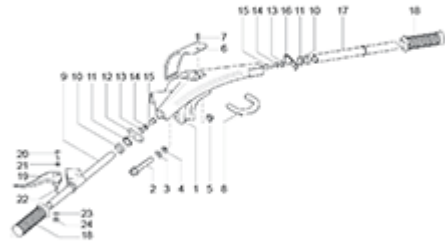


PLATE-35 FORK/STEERING TUBE - STEERING BEARING UNIT

Page No. :71-74

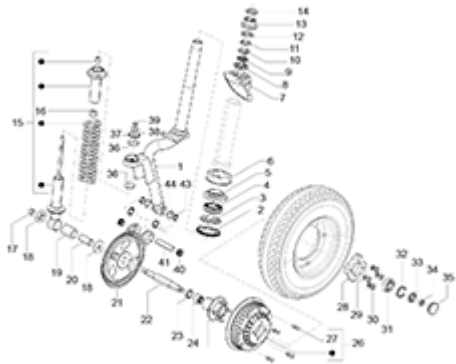


PLATE-36 REAR SUSPENSION - SHOCK ABSORBER/S

Page No. :75-78

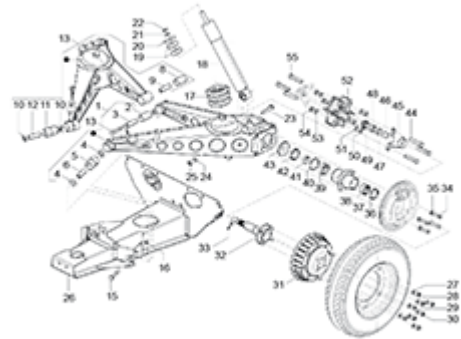


PLATE-37 FRONT AND REAR WHEELS

Page No. :79-80

PLATE-38 REAR TRANSMISSION

Page No. :81-82

PICTORIAL PLATES INDEX

PLATE-41 BRAKING SYSTEM

Page No. :87-88

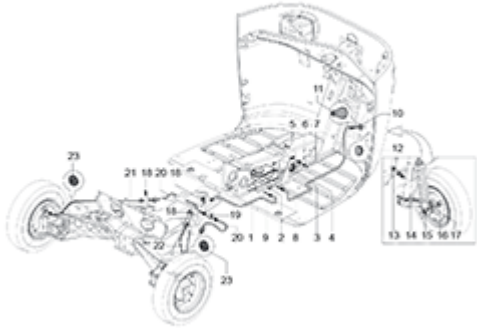


PLATE-42 CONTROL PEDALS - LEVERS

Page No. :89-90

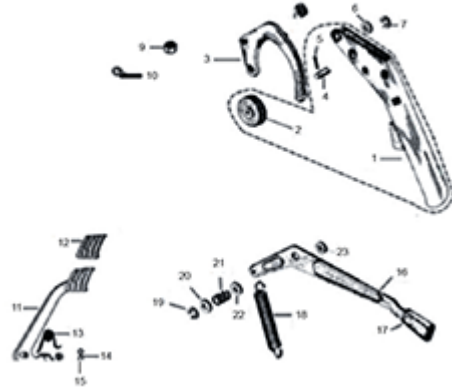


PLATE-43 SELECTORS - SWITCHES - BUTTONS

Page No. :91-92

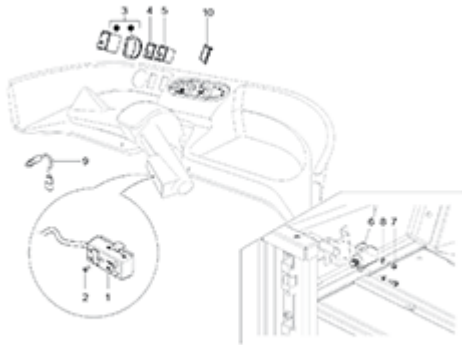


PLATE-44 FRONT HEADLAMPS - TURN SIGNAL LAMPS

Page No. :93-94

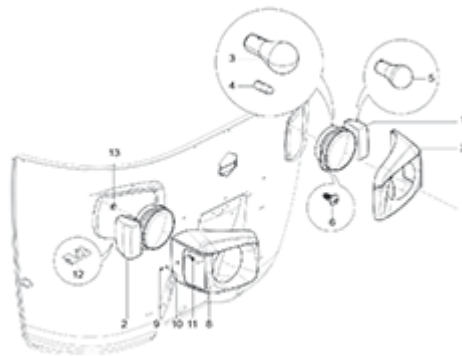


PLATE-45 REAR HEADLAMPS - TURN SIGNAL LAMPS

Page No. :95-96

PLATE-46 MAIN CABLE HARNESS

Page No. :97-98

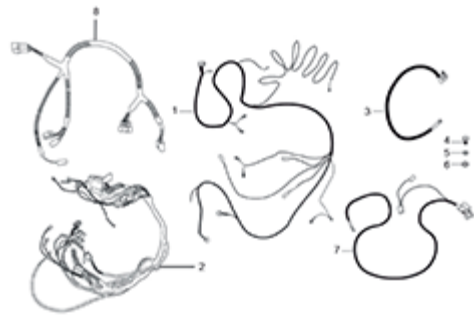
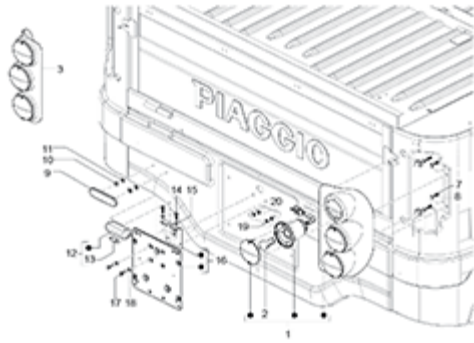


PLATE-47 ELECTRICAL DEVICES

Page No. :99-100

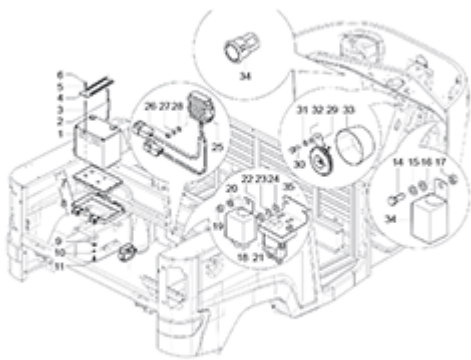


PLATE-48 FRONT AND REAR WINDSCREEN WIPER

Page No. :101-102

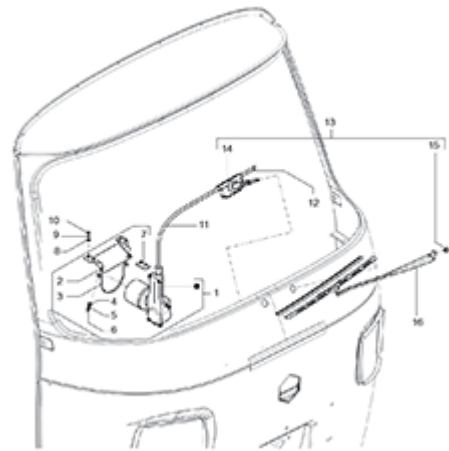


PLATE-1
ENGINE ASSEMBLY

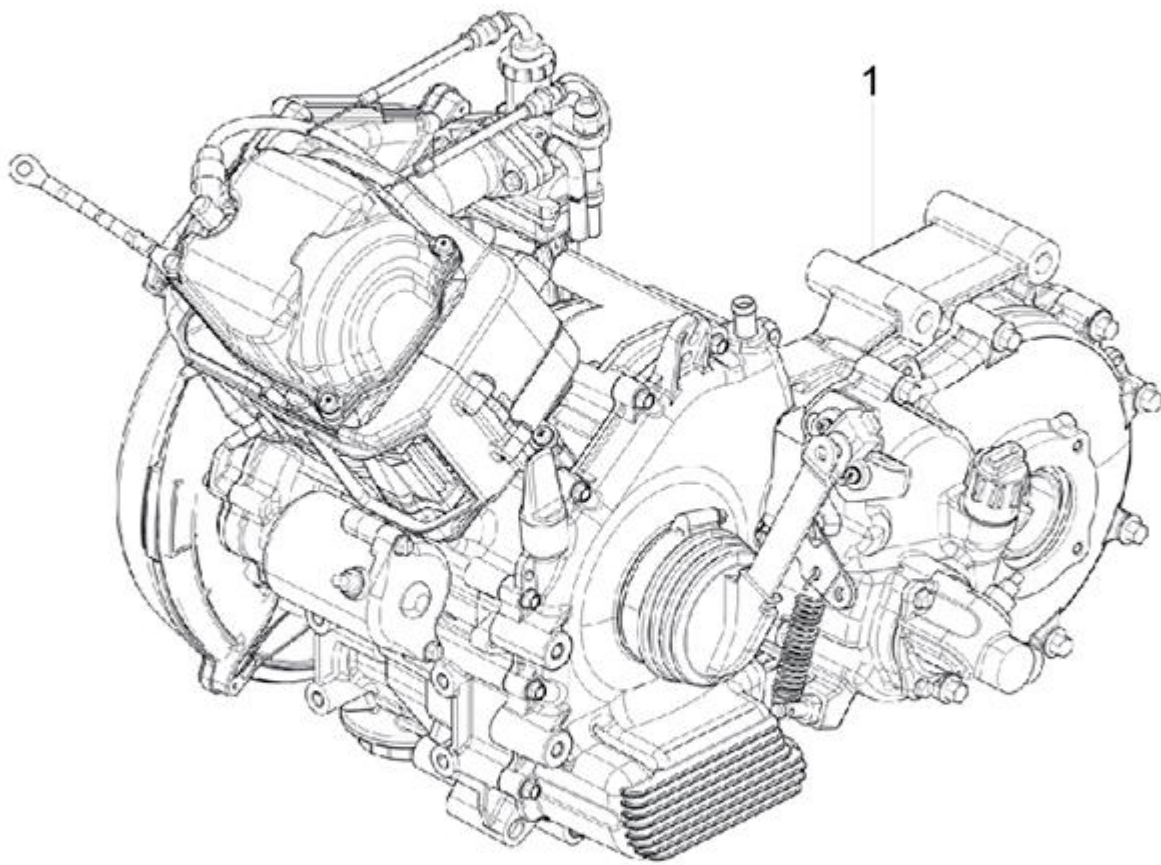


PLATE-1

ENGINE ASSEMBLY

Fig. No.	Part No.	Description	Qty	Remarks
1	CM168806	(D) ENG.200 4S/3V BSIII APÉ PAX EXP PETR	1	

PLATE-2
CRANKCASE

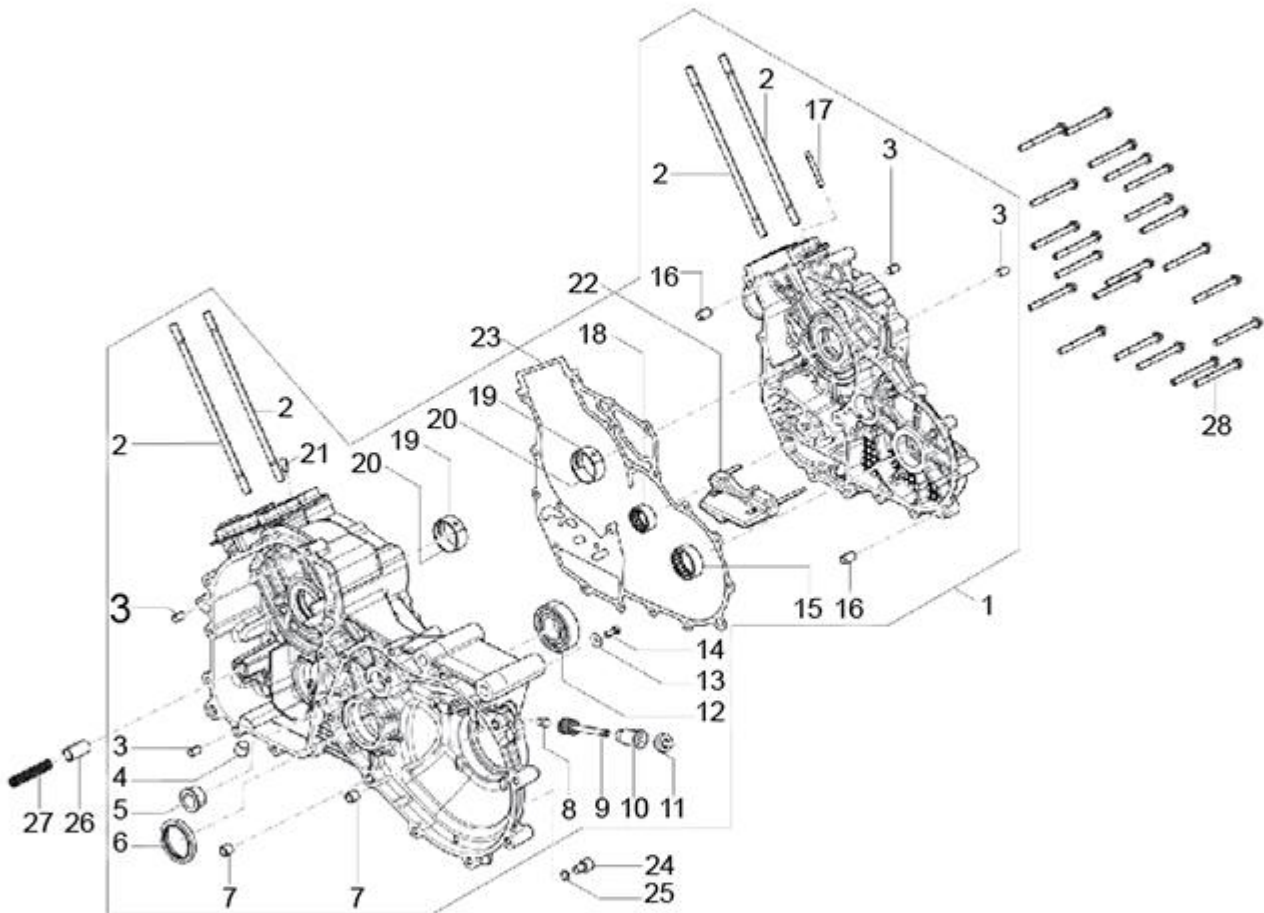


PLATE-2
CRANKCASE

Fig. No.	Part No.	Description	Qty	Remarks
1	SP940037	COMPLETE CRANKCASE	1	
2	B014755	STUD SCREW	4	
3	1A000708	DOWEL (Ø7,5, H=12)	4	
4	1A011246	TAPER THREAD PLUG	1	
5	B042486	BUSH	1	
5	B042486	BUSH	1	
6	1A002685	SEAL RING 35X47X6	1	
7	B015591	REFERENCE DOWEL	2	
8	165121014	PIN	1	
9	117404	SPEEDOMETER GEAR	1	
10	117401	BUSH	1	
11	117402	OIL SEAL	1	
12	880255211R	DEEP GROOVE BALL BEARING 25X52X15	1	
13	B017178	WASHER	1	
14	B018718	EXAG. SOCKET CYLIND.HEAD SCREW M5X14	1	
15	120212012	NEEDLE BUSH	1	
16	B015592	REFERENCE DOWEL (D.9,5 H=15)	2	
17	B019246	DOWEL	1	
18	884222808	NEEDLE BUSH 22X28X12	2	
19	1A007663R	CRANKSHAFT STUB UPPER HALF BEARING	2	
20	1A007664R	CRANKSHAFT STUB LOWER HALF BEARING	2	
21	484034	SIZING NOZZLE	1	
22	B019219	OIL SUCTION INSERT	1	
23	B015941	HALF-CRANKCASE GASKET	1	
24	269755	SOCKET HEAD SCREW (M8X12)	1	
25	485703	WASHER	1	
26	829661	OIL PRES.VALVE	1	
27	485655	SPRING FOR OIL PRESSURE VALVE	1	
28	432142	HEXAGONAL RANGE HEAD SCREW (M6X35)	22	

PLATE-3
Crankshaft

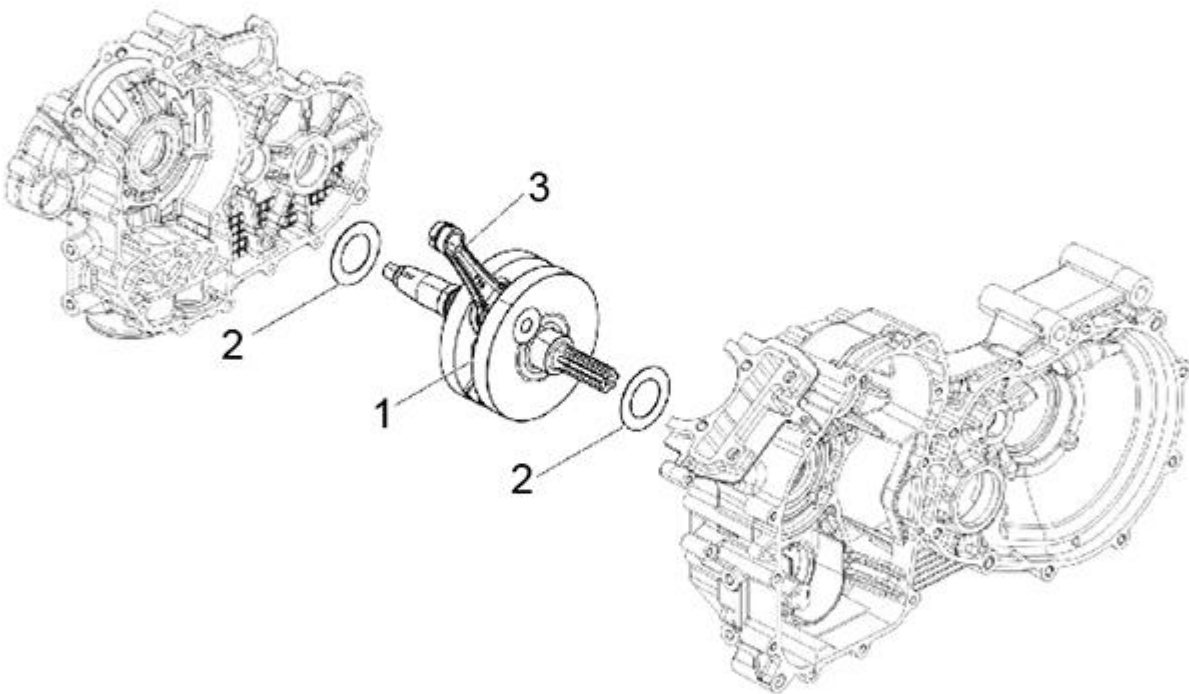


PLATE-3

Crankshaft

Fig. No.	Part No.	Description	Qty	Remarks
1	SP1A007011	CRANKSHAFT ASSEMBLY WITH OIL DOWEL	1	
2	B016144	WASHER	2	
3	1A008613	CONNECTING ROD WITH IP-CRANK PIN GROUP	1	

PLATE-4

CYLINDER-PISTON-WRIST PIN UNIT

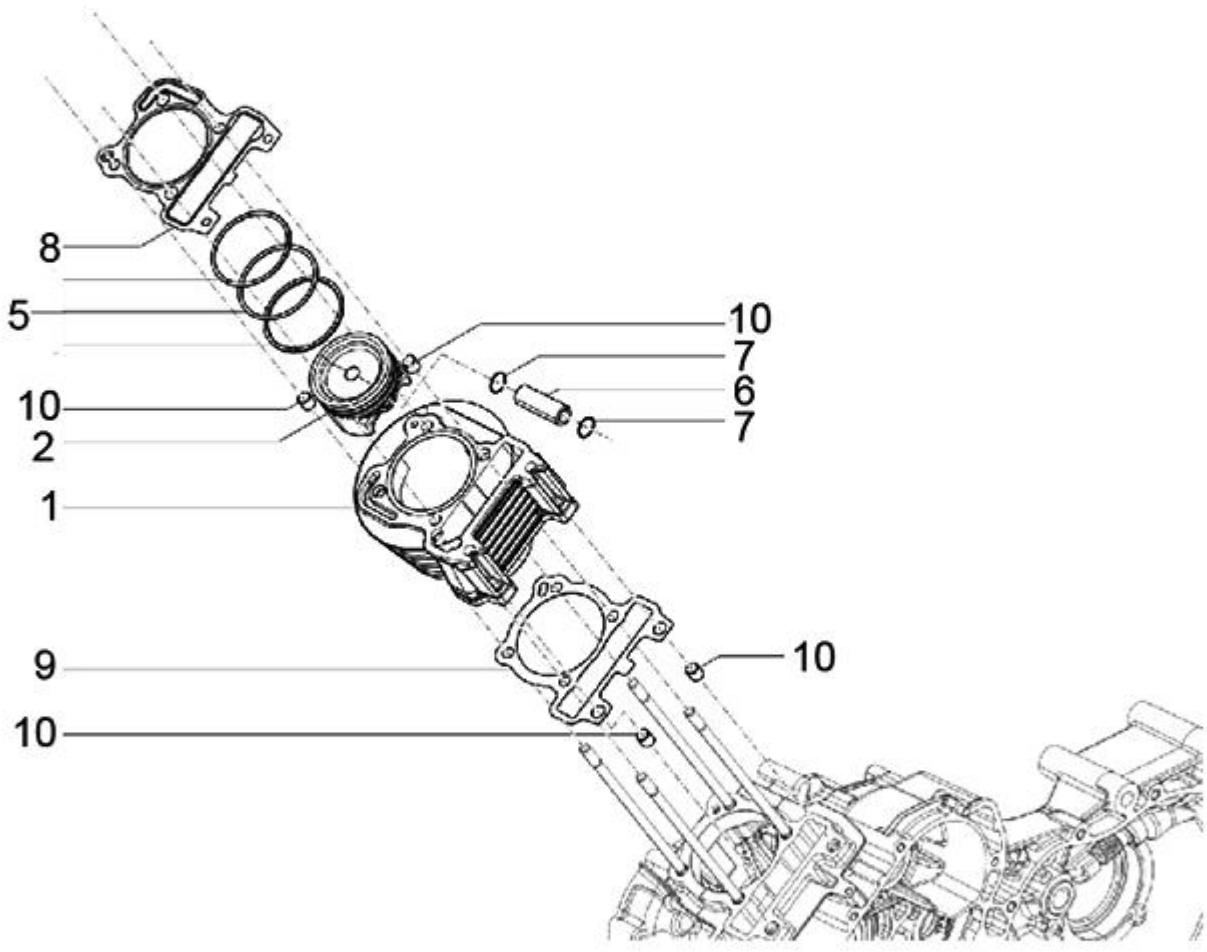


PLATE-4

CYLINDER-PISTON-WRIST PIN UNIT

Fig. No.	Part No.	Description	Qty	Remarks
1	B019317	CYLINDER	1	
2	B019006	PISTON Ø62.6	1	
3	-	NOT SERVICEABLE	1	NS
4	-	NOT SERVICEABLE	1	NS
5	1A009621R	PISTON RING GROUP	1	
6	482335	PISTON PIN	1	
7	963486	CIRCLIP FOR PISTON WRIST	2	
8	B014555	HEAD CYLINDER GASKET	1	
9	CM166201	CRANKCASE/ CYLINDER GASKET 0.4 MM	1	
9	CM166202	CRANKCASE/ CYLINDER GASKET 0.6 MM	1	
9	CM166203	CRANKCASE/ CYLINDER GASKET 0.8 MM	1	
10	435571	REFERENCE DOWEL	4	

PLATE-5
HEAD UNIT - VALVE

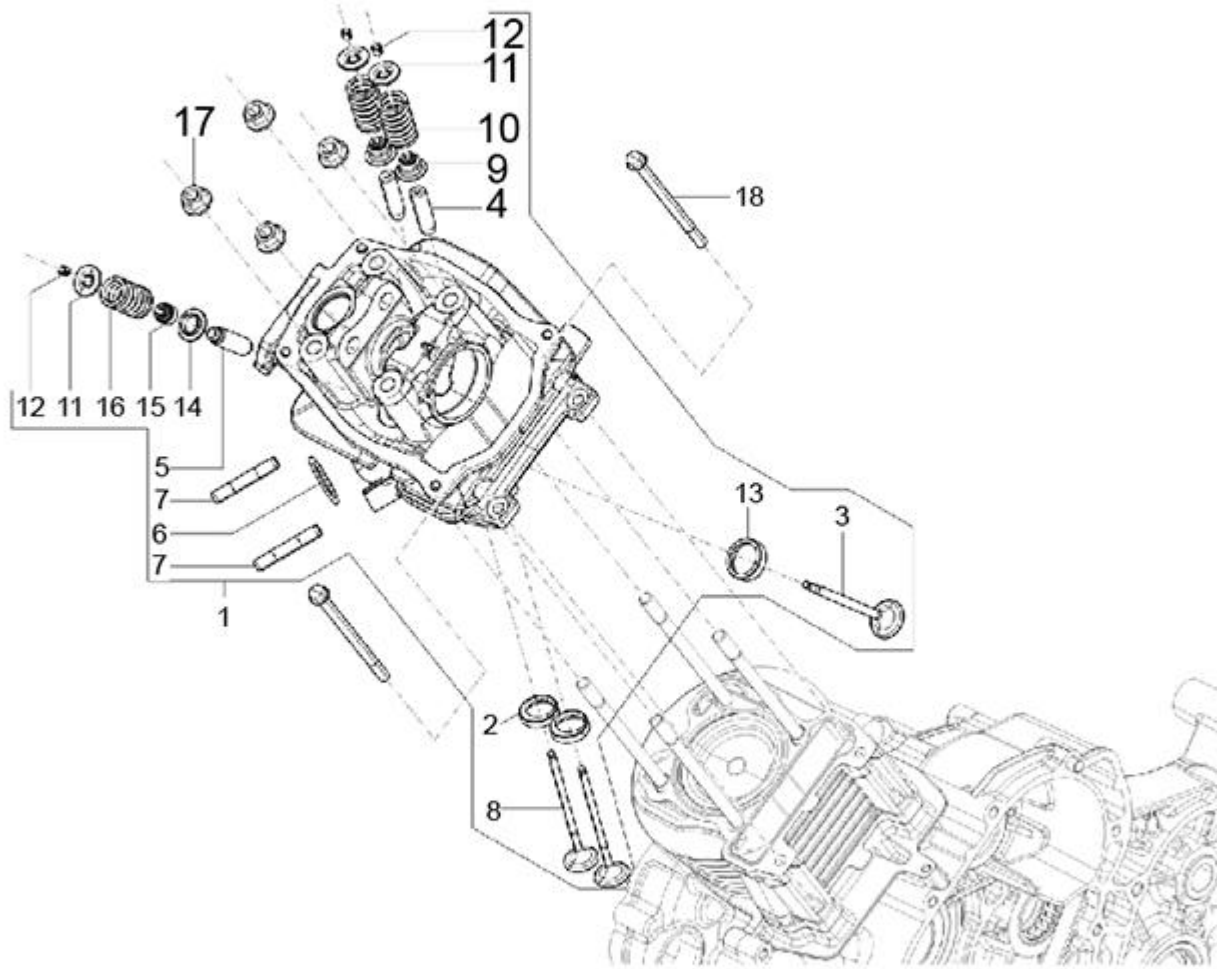


PLATE-5
HEAD UNIT - VALVE

Fig. No.	Part No.	Description	Qty	Remarks
1	SP1A012928	CYLINDER HEAD ASSY	1	
2	B017230	INTAKE VALVE SEAT	2	
3	B017336	EXHAUST VALVE SEAT	1	
4	B014680	INTAKE VALVE GUIDE	2	
5	B014681	EXHAUST VALVE GUIDE	1	
6	434716	CYLINDER HEAD/MUFFLER GASKET	1	
7	B016368	SPECIAL STUD	2	
8	B014684	INTAKE VALVE Ø20	2	
9	83053R	VALVE SEAL RING	2	
10	B014706	VALVE SPRING (INTAKE)	2	
11	B017456	UPPER CUP	3	
12	B015288	HALF-CONE	6	
13	B017438	EXHAUST VALVE Ø22	1	
14	483711	LOWER CUP	1	
15	83054R	VALVE SEAL RING	1	
16	B014705	VALVE SPRING (EXHAUST)	1	
17	844719	FLANGED NUT M8X1.25	4	
18	B018854	HEXAGONAL HEAD FLANGED SCREW M6X90	2	

PLATE-6
ROCKING LEVERS SUPPORT UNIT

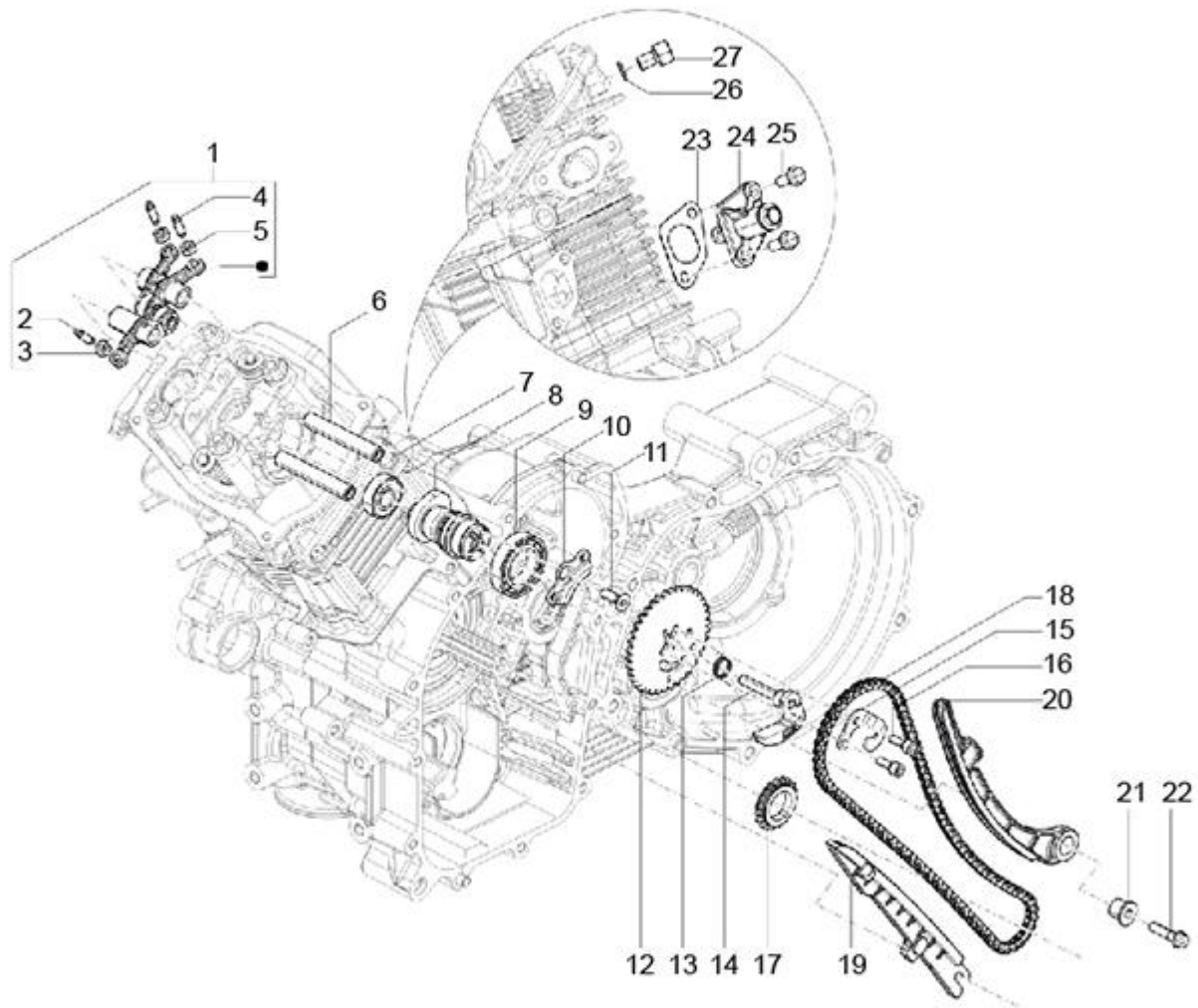


PLATE-6

ROCKING LEVERS SUPPORT UNIT

Fig. No.	Part No.	Description	Qty	Remarks
1	83062R	ROCKER ARM GROUP	1	
2	B017323	VALVE ADJUSTMENT SCREW	1	
3	B017431	ROCKER ARM NUT	1	
4	B017323	VALVE ADJUSTMENT SCREW	2	
5	B017431	ROCKER ARM NUT	2	
6	B017113	ROCKER ARM SHAFT	2	
7	83040R	DEEP GROOVE BALL BEARING	1	
8	B017746	CAMSHAFT WITH I.P.	1	
9	83041R	DEEP GROOVE BALL BEARING	1	
10	B014760	CAMSHAFT CONTAINMENT SHEET-STEEL	1	
11	B018946	COUNTERSUNK SCREW M6X18	1	
12	1A002358	TIMING CROWN	1	
13	B015483	DECOMPRESSION SPRING	1	
14	SP1A006405	CENTRIFUGAL MASS WITH I.P.	1	
15	1A008397	CENTRIFUGAL MASS CONTAINMENT SHEET	1	
17	B015017	TIMING PINION	1	
18	1A015692	TIMING CHAIN SOUNDLESS TYPE	1	
19	B014997	FIXED PAD	1	
20	1A004875	CHAIN TIGHTENING ROD	1	
21	485868	SPACER FOR CHAIN TIGHTNING ROD	1	
22	B016774	FLANGED HEXAGONAL SCREW M6X25	1	
23	847928	CHAIN SUPPORT GASKET	1	
24	B017165	CHAIN TENSIONER DEVICE	1	
25	434541	SCREW	2	
26	485703	WASHER	1	
27	269755	SOCKET HEAD SCREW (M8X12)	1	

PLATE-7
CYLINDER HEAD COVER

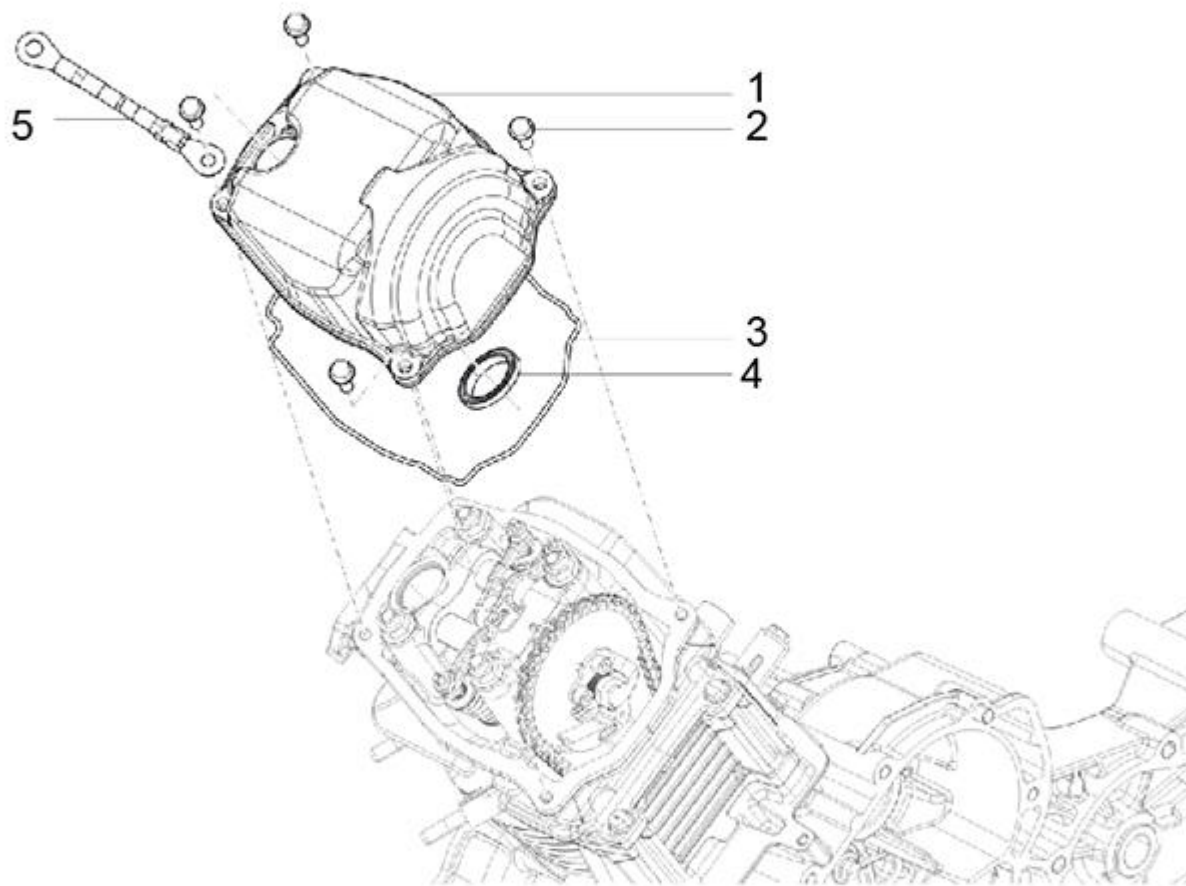


PLATE-7

CYLINDER HEAD COVER

Fig. No.	Part No.	Description	Qty	Remarks
1	1A006545	HEAD COVER	1	
2	018639	SCREW M6X20	4	
3	B018533	CYLINDER HEAD COVER GASKET	1	
4	B014732	SPARK PLUG HOLE GASKET	1	
5	680217	EARTHING CABLE	1	

PLATE-8
OIL PUMP

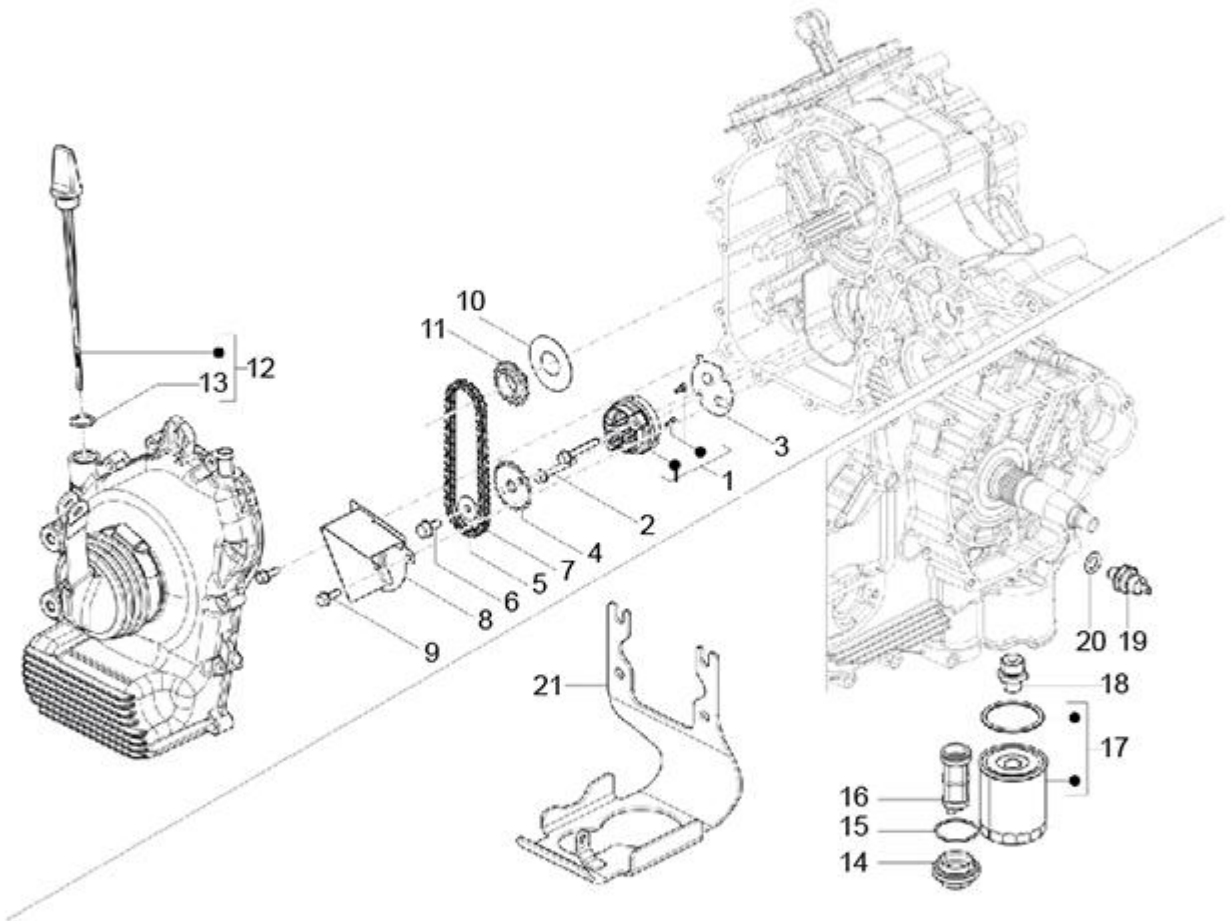


PLATE-8
OIL PUMP

Fig. No.	Part No.	Description	Qty	Remarks
1	82948R	OIL PUMP ASSEMBLY	1	
2	829593	FLANGED HEXAGONAL HEAD SCREW	2	
3	B015943	CRANKCASE/ OIL PUMP GASKET	1	
4	B017042	OIL PUMP CROWN	1	
5	436695	BELLEVILLE SPRING Ø6,4XØ20X2	1	
6	833722	FLANGED HEXAGONAL HEAD SCREW	1	
7	B015026	OIL PUMP CHAIN 48 PITCHES	1	
8	1A002947	OIL BULKHEAD	1	
9	830061	FLANGED HEXAGONAL HEAD SCREW	2	
10	B018356	WASHER	1	
11	1A001905R	OIL PUMP PINION	1	
12	B016472	OIL DIPSTICK ASSY	1	
13	1A009397	O-RING GASKET	1	
14	B015598	OIL FILTER PLUG	1	
14	B015598	OIL FILTER PLUG	1	
15	285536	O-RING GASKET 31.47X1.78	1	
16	83065R	INTAKE OIL FILTER COMPLETE	1	
17	1A009762	OIL FILTER SCREW	1	
18	833722	FLANGED HEXAGONAL HEAD SCREW	1	
19	1D001138	MINIMUM PRESSURE OIL SWITCH	1	
20	1A011500	WASHER	1	
21	1A001283	OIL FILTER PROTECTION BRACKET (N.I.)	1	

PLATE-9
STATER - ELECTRIC STARTER

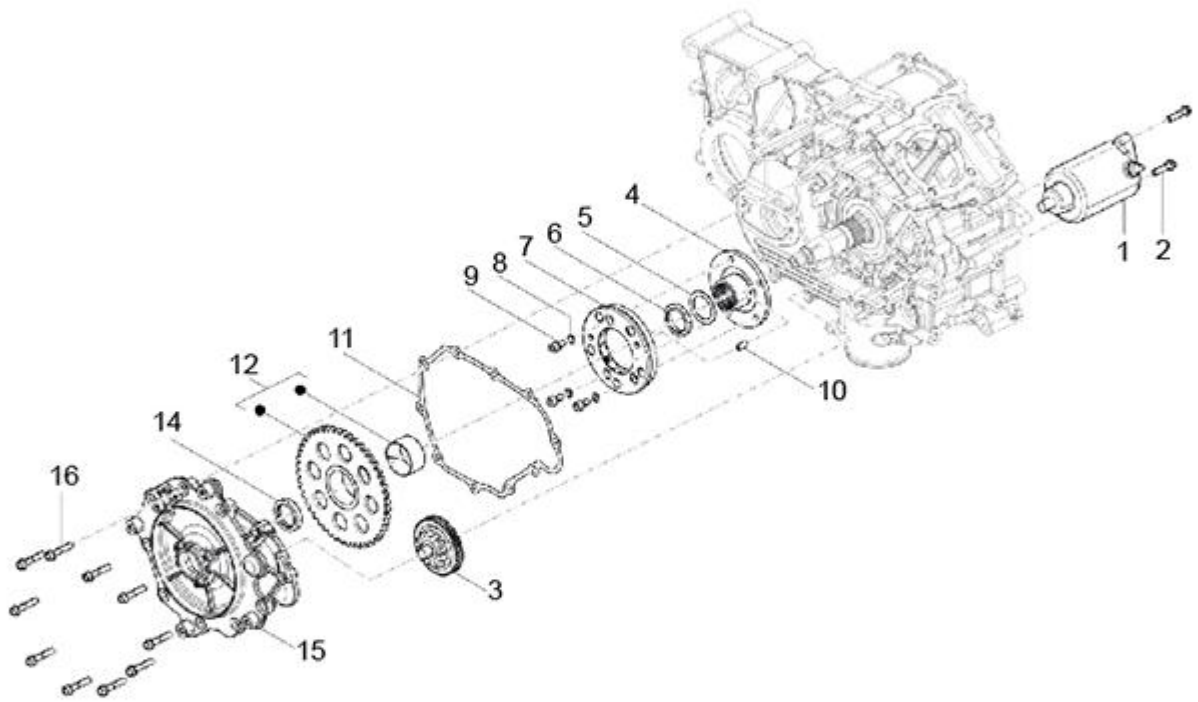


PLATE-9

STATER - ELECTRIC STARTER

Fig. No.	Part No.	Description	Qty	Remarks
1	1D000425R	STARTER MOTOR	1	
2	B016774	FLANGED HEXAGONAL SCREW M6X25	2	
3	B017189	ELECTRIC STARTER INTERMED GEAR WITH P.I.	1	
4	B019425	CAM CLUTCH HUB	1	
5	B016148	WASHER	1	
6	B016147	RING NUT	1	
7	1A010696R	ONE WAY CLUTCH	1	
8	B019420	CONICAL SPRING KNURLED WASHER	3	
9	1A000402	SOCKET HEAD SCREW	3	
10	1A000742	ELASTIC PIN	1	
11	B015942	STARTER COVER GASKET	1	
12	1A001187R	TOOTHED CROWN ELECTRIC STARTER	1	
14	B016120	SEAL RING 25X35X7	1	
15	B015888	STARTER COVER	1	
16	B018853	FLANGED HEXAGONAL HEAD SCREW M6X30	10	

PLATE-10
FLYWHEEL MAGNETO

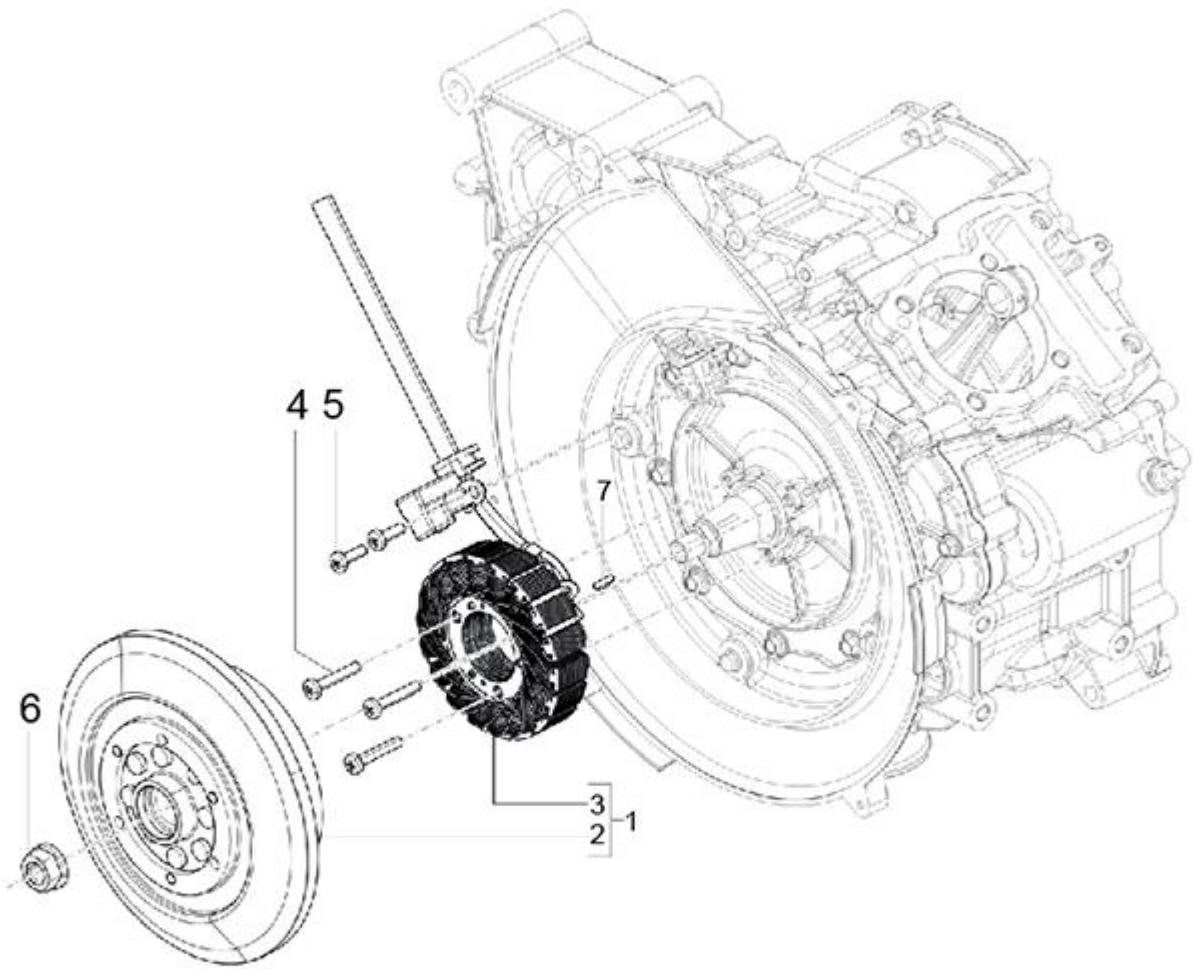


PLATE-10

FLYWHEEL MAGNETO

Fig. No.	Part No.	Description	Qty	Remarks
1	58295R	COMPLETE A.C.GENERATOR	1	
2	680070	ROTAR ASSY WITH HUB	1	
2	680070	ROTAR ASSY WITH HUB	1	
3	680075	STATOR ASSLY	1	
4	1A000404	CYLINDRICAL HEAD WITH CROSS MOULD SCREW	3	ECN
5	B018851	CYLINDRICAL HEAD METRICAL SCREW M5X16	2	
6	1A006988	NUT WITH SPRING WASHER	1	
7	000267	WOODRUFF KEY	1	

PLATE-11
FLYWHEEL MAGNETO COVER - OIL FILTER

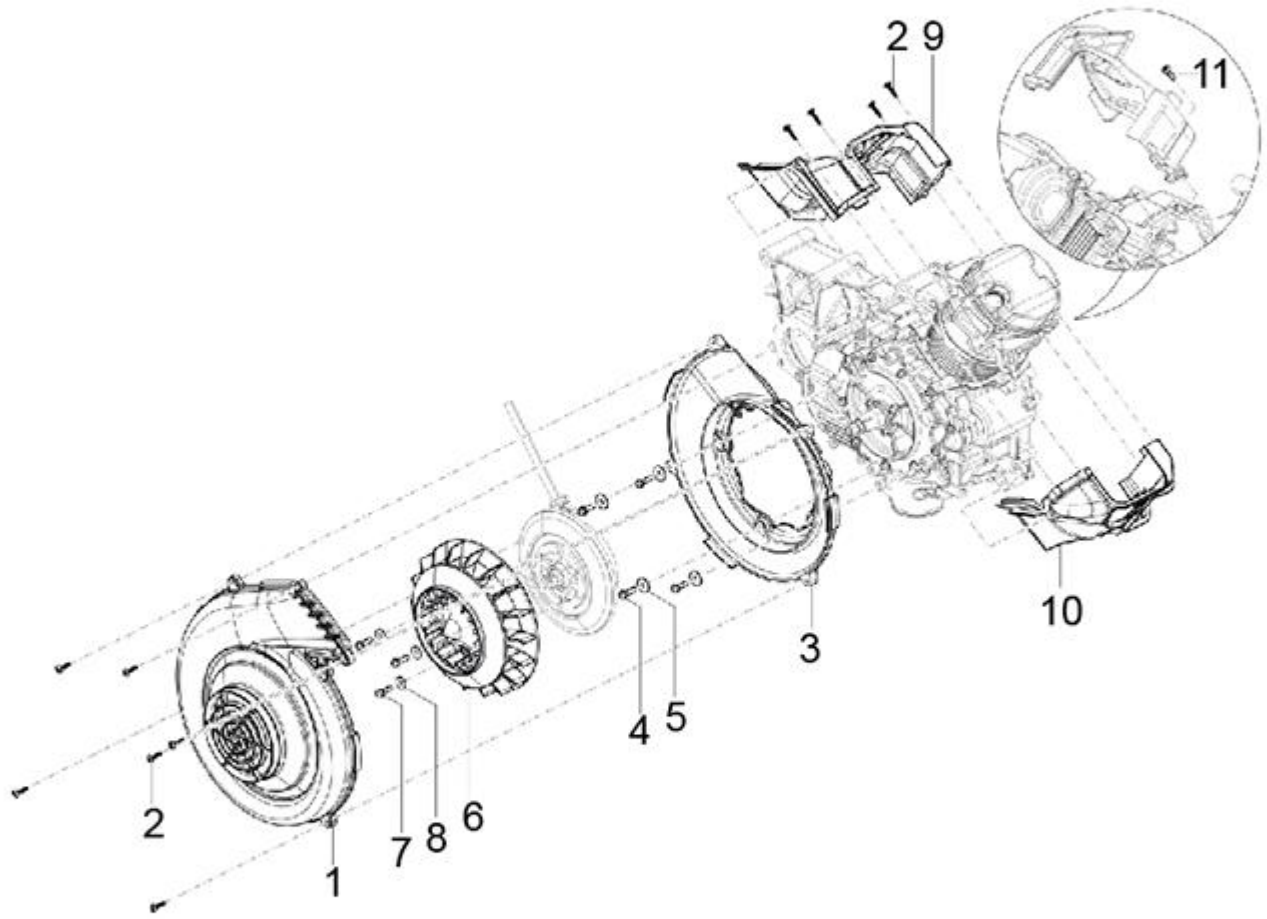


PLATE-11

FLYWHEEL MAGNETO COVER - OIL FILTER

Fig. No.	Part No.	Description	Qty	Remarks
1	B017377	FAN COVER	1	
2	1A000024	SELF TAPPING SCREW (3X20)	10	
3	B015931	FAN COVER SUPPORT	1	
4	018639	SCREW M6X20	4	
5	B016192	WASHER 6.2X20X2	4	
6	1A000831	ASSY FAN	1	
7	1A002691	FLANGED HEX HEAD SCREW M6X20 CL10	3	
8	B019047	WASHER	3	
9	B018023	COMPLETE SHROUD INTAKE SIDE	1	
10	B018025	SHROUD EXHAUST SIDE	1	
11	B016620	SCREW WITH CYLINDRICAL HEAD M5X21	1	

PLATE-12
GEAR-BOX COMPONENTS

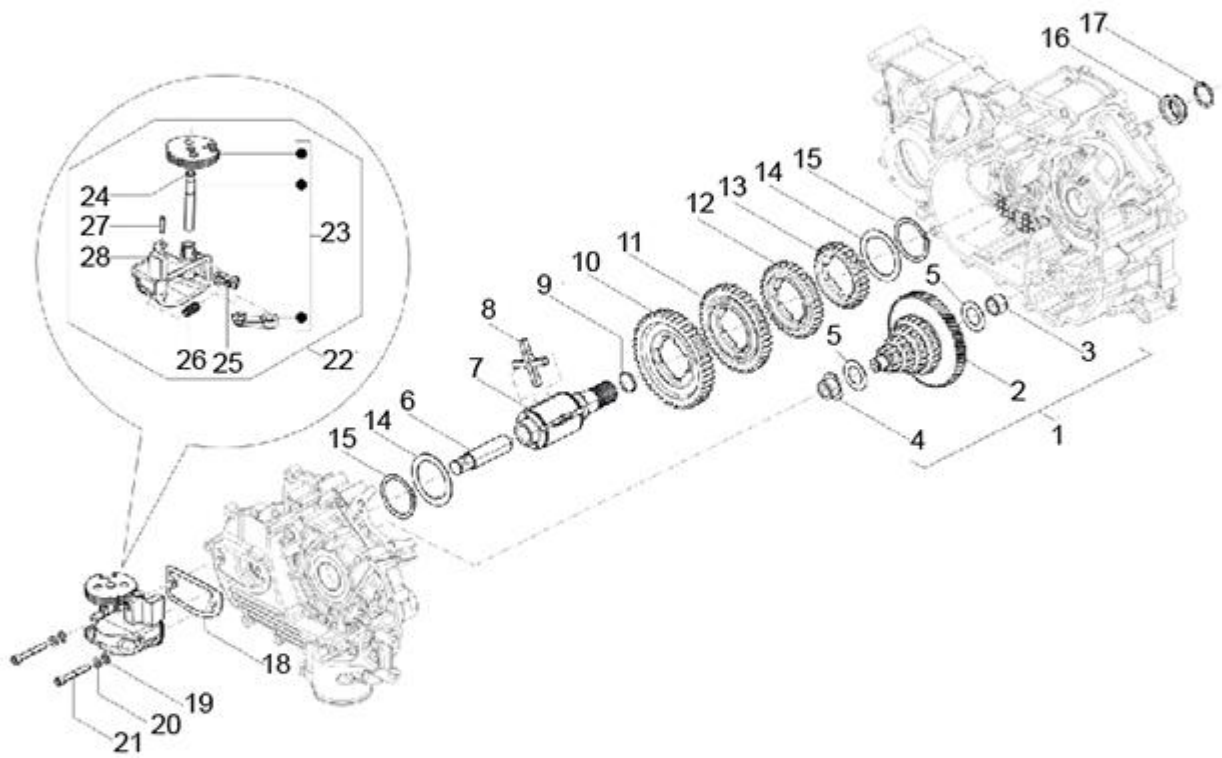


PLATE-12

GEAR-BOX COMPONENTS

Fig. No.	Part No.	Description	Qty	Remarks
1	1A002020	FIRST GEAR SHAFT WITH I.P.	1	
2	1A003607R	CLUSTER GEAR (NEW)	1	
2	1A003607R	CLUSTER GEAR (NEW)	1	
3	122032014	INNER RING - CLUSTER GEAR	1	
4	B016205	INTERNAL RING (FLY WHEEL SIDE)	1	
5	B016206	SHOULDER WASHER	2	
6	1A007850	STEM	1	
7	B018471	SECONDARY GEAR SHAFT	1	
8	B003924	CROSS	1	
9	B018473	O-RING	1	
10	1A003603R	SPEED GEAR 1ST (NEW)	1	
11	1A003604R	SPEED GEAR 2ND (NEW)	1	
12	1A003605R	SPEED GEAR 3RD (NEW)	1	
13	1A003606R	SPEED GEAR 4TH (NEW)	1	
14	523011013R	SHOULDER RING	2	
14	523012017	SHOULDER RING 1.7 MM THK	2	
14	523014015	SHOULDER RING 2.0MM THK	2	
15	842004808	CIRCLIP DIA.48 (EXT)	2	
16	B018472	SPACER	1	
17	B017177	SEAL RING	1	
18	128081017	GASKET HOUSING GEAR SHIFTER HOUSING	1	
19	003056	PLAIN WASHER	2	
20	016406	SPRING WASHER	2	
21	1A003060	FLANGED HEX. HEAD SCREW M6X45	2	
22	SP1A006196	COMPLETE GEAR SELECTOR BOX	1	
23	SP1A003853	SECTOR AND LEVER ASSLY APE PAX - SPD	1	
24	1A005178	O- RING	1	
25	SP126050014	BKT. WITH ROLLER ASSLY - SPD	1	
26	126003011	SPRING GEAR SHIFTER ASSY.	1	
27	126054010	SCREW FOR BRACKET	1	
28	B042758	GEAR SHIFTER HOUSING (NEW)	1	

PLATE-13
CLUTCH

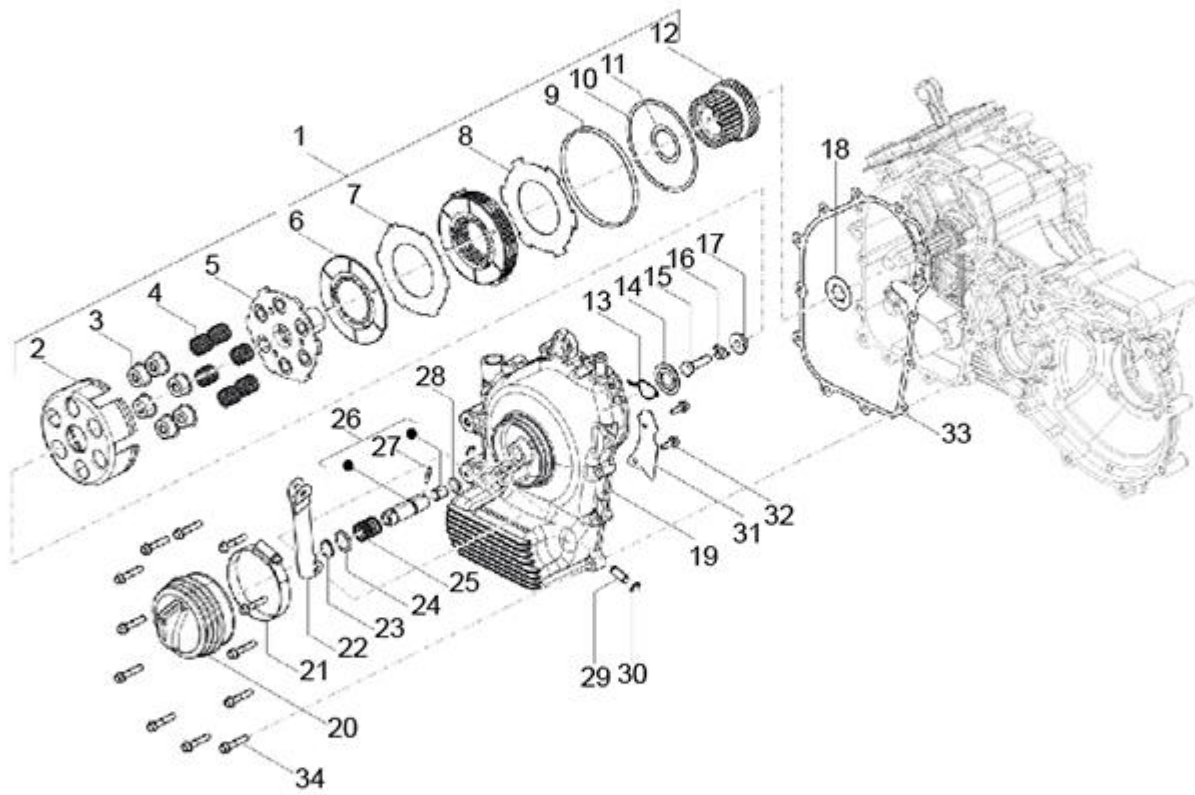


PLATE-13

CLUTCH

Fig. No.	Part No.	Description	Qty	Remarks
1	SP1A006004	CLUTCH ASSY	1	
2	1A001455	CLUTCH HOUSING	1	
3	127757011	CUP - CLUTCH SPRING	6	
4	B023890	CLUTCH SPRING	6	
5	1A006005	CLUTCH HUB WITH P.I.	1	
6	127530011	DRIVEN PLATE ASLY	5	
7	127692015	DRIVING PLATE THK. 2.0 MM	4	
8	127693019	PRESSURE PLATE OUTER (VE)	1	
9	1A005414R	RING CLUTCH BOX	1	
10	127754019	CIRCLIP - CLUTCH BOX	1	
11	127758015	SHIM	1	
12	1A008668R	DRIVE GEAR	1	
13	286406	SPRING CLIP	1	
14	1A011547R	THRUST BEARING	1	
14A	1A011547R	THRUST BEARING	1	
15	B018678	SCREW M8X30	1	
16	1A006634	BELLEVILLE WASHER	1	
17	129011019	WASHER FOR CLUTCH ASSY.	1	
18	B016160	SPACER WASHER	1	
19	SPB015863	CLUTCH COVER	1	
20	127012019	BELLOW CLUTCH ACTUATING	1	
21	120170018	HOSE CLIP - CLUTCH COVER BELOW	1	
22	127460010	LINK ASSLY - CLUTCH (IMPROVED)	1	
23	842001600	CIRCLIP DIA.16(EXT)	1	
24	120164019	RETAINING PLATE	1	
25	127185012	SPRING - CLUTCH COVER	1	
26	1A001457	PLUNGER SHAFT	1	
27	822031942	SPRING PIN 3 X 19	1	
28	B019220	O- RING (PLUNGER SHAFT)	1	
29	127013013	PIN CLUTCH	1	
30	843000809	CIRCLIP DIA.8(EXT) TYPE C	2	
31	B018358	CLUTCH COVER OIL BULKHEAD	1	
32	830061	FLANGED HEXAGONAL HEAD SCREW	2	
33	B018549	CLUTCH COVER GASKET	1	
34	B018853	FLANGED HEXAGONAL HEAD SCREW M6X30	12	

PLATE-14
DIFFERENTIAL

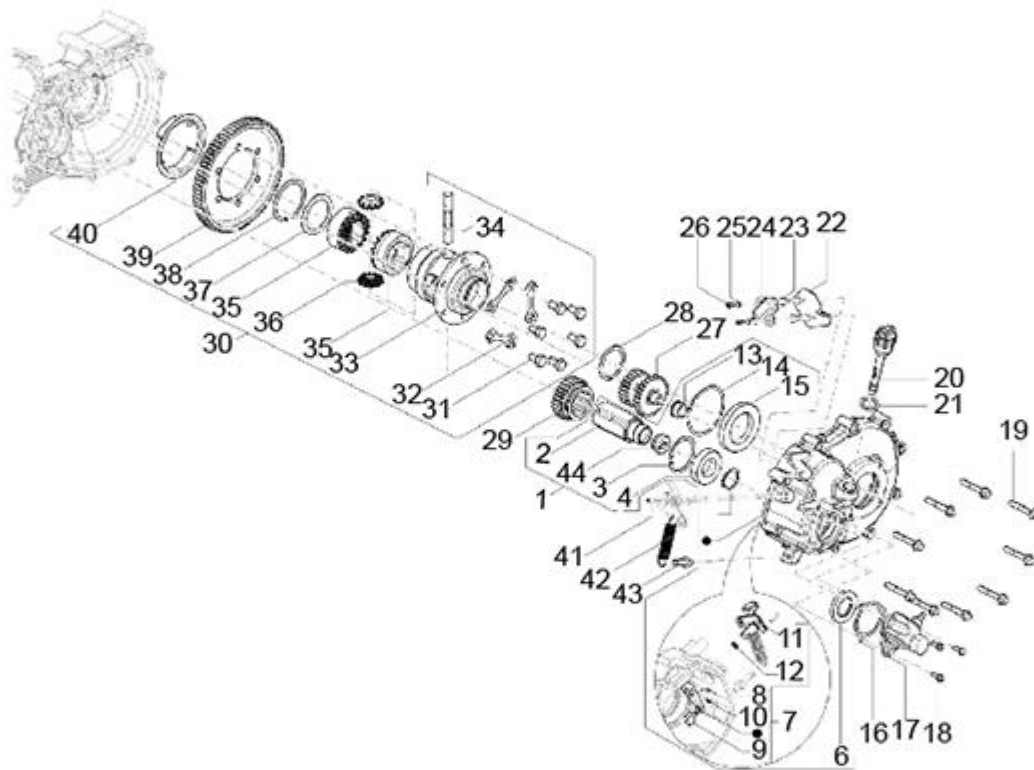


PLATE-14
DIFFERENTIAL

Fig. No.	Part No.	Description	Qty	Remarks
1	B016170	DIFF. GEAR COVER WITH I.P. A?? LPG, PTL	1	
2	B018990	REVERSE SHAFT	1	
3	841005506	CIRCLIP DIA. 55 (INT)	1	
4	880305509R	DEEP GROOVE BALL BEARING 30X55X13	1	
5	842003000	CIRCLIP DIA. 30 (EXT.)	1	
6	1A000236	OIL SEAL	1	
7	SP1A009310	COMPLETE INVERTER LEVER SECTOR-SPD-PTL/LPG	1	
8	17702	SPRING PIN	1	
9	B017493	SLIDER - PETROL / LPG	1	
10	843000500	CIRCLIP DIA.5 (EXT) TYPE C	1	
11	120322013	LEVER (R C GEAR) (41929)	1	
12	1A005176	O- RING	1	
13	B042486	BUSH	1	
14	111353	CIRCLIP	1	
15	7066R	RADIAL BALL BEARING	1	
16	1A000826	GASKET	1	
17	1A000817	FAREMETER	1	
18	434541	SCREW	3	
19	434541	SCREW	10	
20	112898	OIL LEVEL ARM WITH PLUG	1	Old
20	1A014592	OIL DIPSTICK	1	New aluminium clutch
21	127016015	DIPSTICK SEALING WASHER	1	
22	B017077	SENSOR SUPPORT PLATE	1	
23	1A016964	CSK PHILIPS HEAD SCREW	2	
24	567498R	BRAKE/REVERSE LIGHT SW (INTEGRAL CAP)-PAV	1	
25	003054	PLAIN WASHER	2	
26	15996	PHIL RD HD SCREW M4X12	2	
27	1A008666R	REVERSE GEAR	1	
28	006450	EXT CIRCLIP DIA 48	1	
29	1A008667R	SLIDING PINION	1	
30	SPB016171	COMPLETE DIFFERENTIAL GEAR-SPD	1	
31	1A004807	SCREW	6	
32	B003155	LOCK PLATE	3	
33	288730	DIFFERENTIAL CAGE	1	
34	132129	PIN	1	

PLATE-14
DIFFERENTIAL

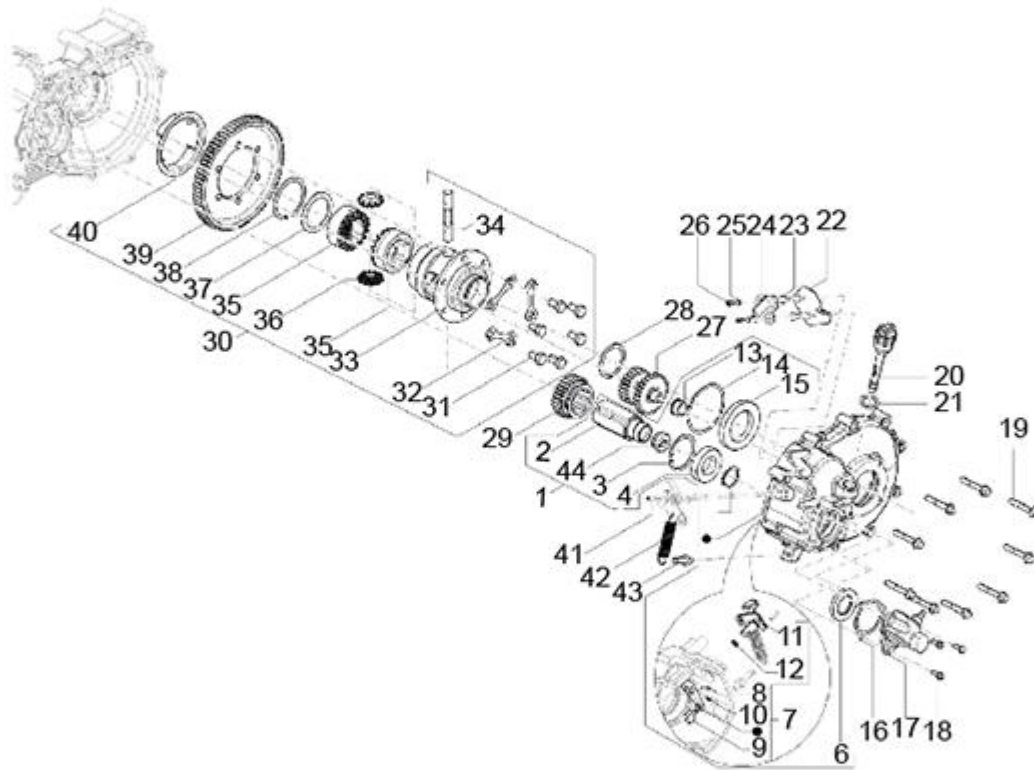


PLATE-14
DIFFERENTIAL

Fig. No.	Part No.	Description	Qty	Remarks
35	940028	GEAR SUN AND DIFFERENTIAL GEAR	2	
36	NS-	NOT SERVICEABLE PART	2	Serviceable as Kit - 940028
37	220575	WASHER 65X3	1	
38	132134	CIRCLIP	1	
39	1A008665R	DIFFERENTIAL GEAR CROWN	1	
40	132244	STOPPER THK=1.0	1	
41	822051647	SPRING PIN 5X16	1	
42	127111011	REVERSE GEAR SPRING	1	
43	128307019	BOLT R.C. SPRING RETAINING	1	
44	B018991	PLUG FOR FAREMETER	1	

PLATE-15

CARBURETTOR, ASSEMBLY - UNION PIPE

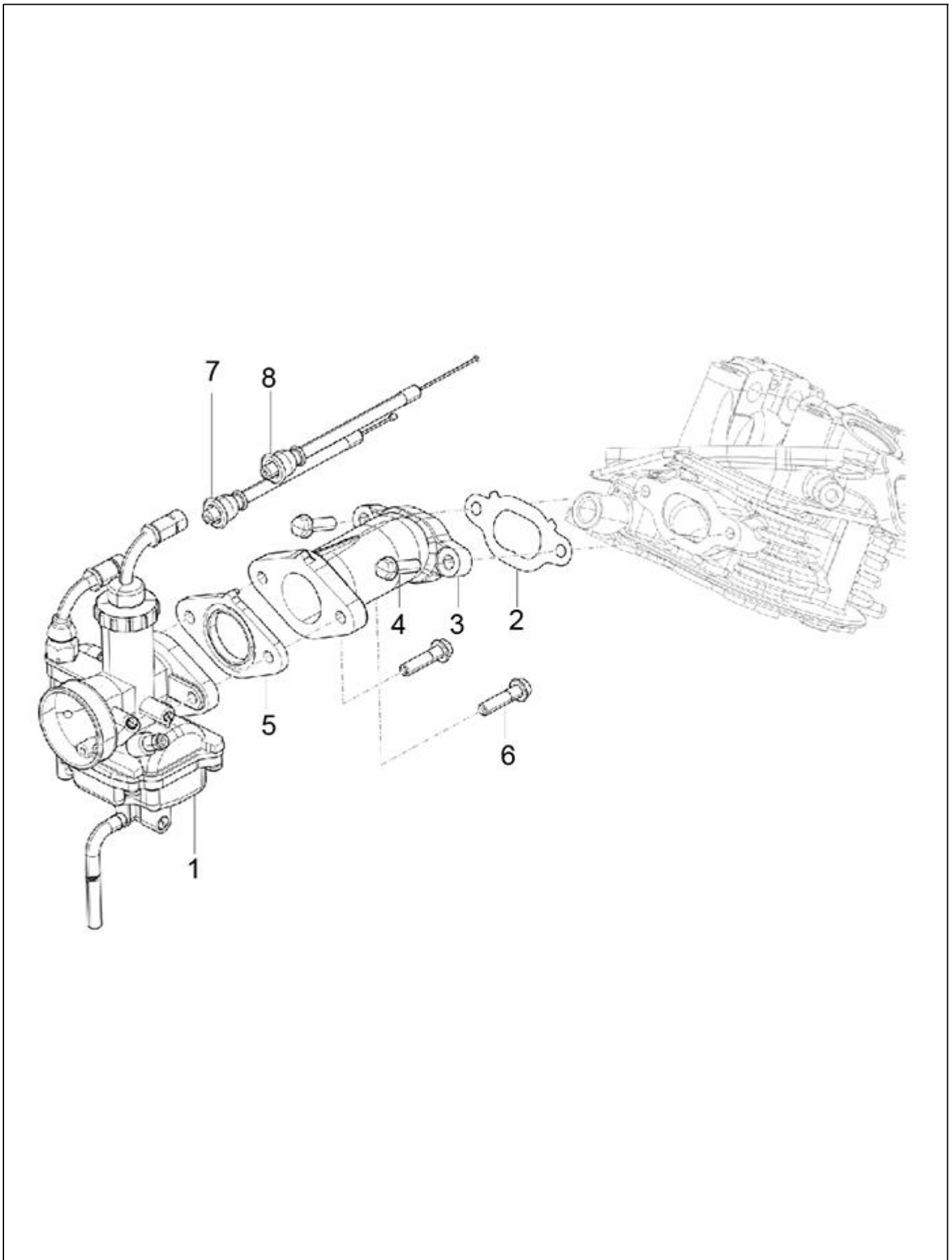


PLATE-15

CARBURETTOR, ASSEMBLY - UNION PIPE

Fig. No.	Part No.	Description	Qty	Remarks
1	CM166104	CARBURETOR UVD 22 PETROL	1	
2	B018442	INTAKE FITTING GASKET	1	
3	B018775	INTAKE FITTING	1	
4	018639	SCREW M6X20	2	
5	B016016	INTAKE FITTING GASKET WITH O-RING	1	
6	B016774	FLANGED HEXAGONAL SCREW M6X25	2	
7	B042566	CHOKE CONTROL CABLE ASSY	1	
8	B042356	ACCELERATOR CABLE WITH JONT (NEW)	1	

PLATE-16
CARBURETORS COMPONENTS

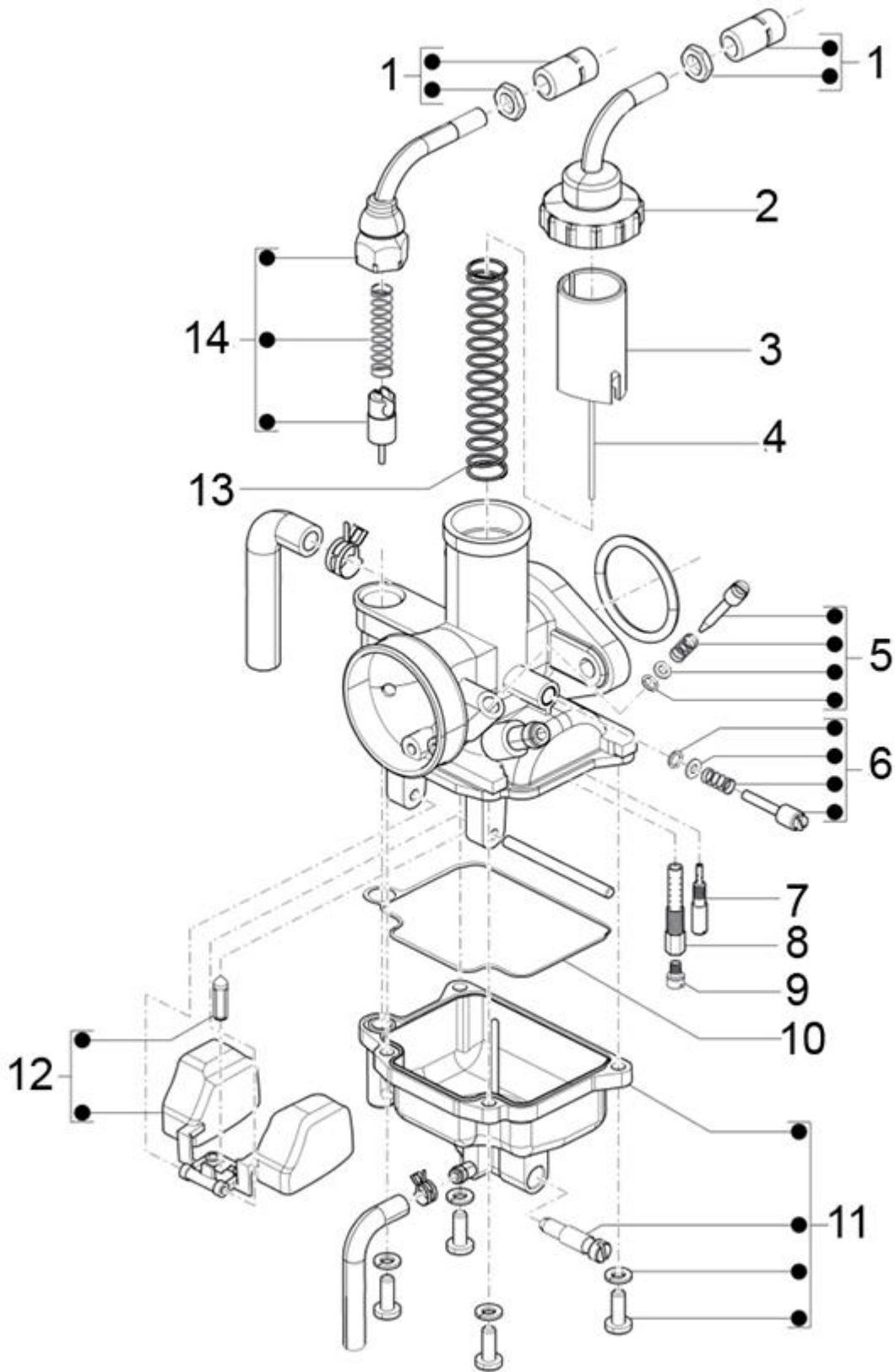


PLATE-16

CARBURETORS COMPONENTS

Fig. No.	Part No.	Description	Qty	Remarks
1	B016869	CABLE ADJUSTER KIT	2	
2	B016825	GAS VALVE COVER KIT	1	
3	B016827	THROTTLE VALVE	1	
4	NS	NOT SERVICEABLE	1	
5	CM264701	AIR SCREW KIT	1	
6	B016828	IDLE ADJUSTER KIT	1	
7	NS	NOT SERVICEABLE	1	
8	CM167901	JET HOLDER (PETROL)	1	
9	CM167803	PILOT JET (PETROL)	1	
10	B016834	FLOAT CHAMBER GASKET	1	
11	B016822	FLOAT CHAMBER BODY ASSY KIT	1	
12	B016823	FLOAT PIN	1	
13	B016829	SPRING (PV)	1	
14	1A000542	STARTER KIT	1	

PLATE-17
SILENCER

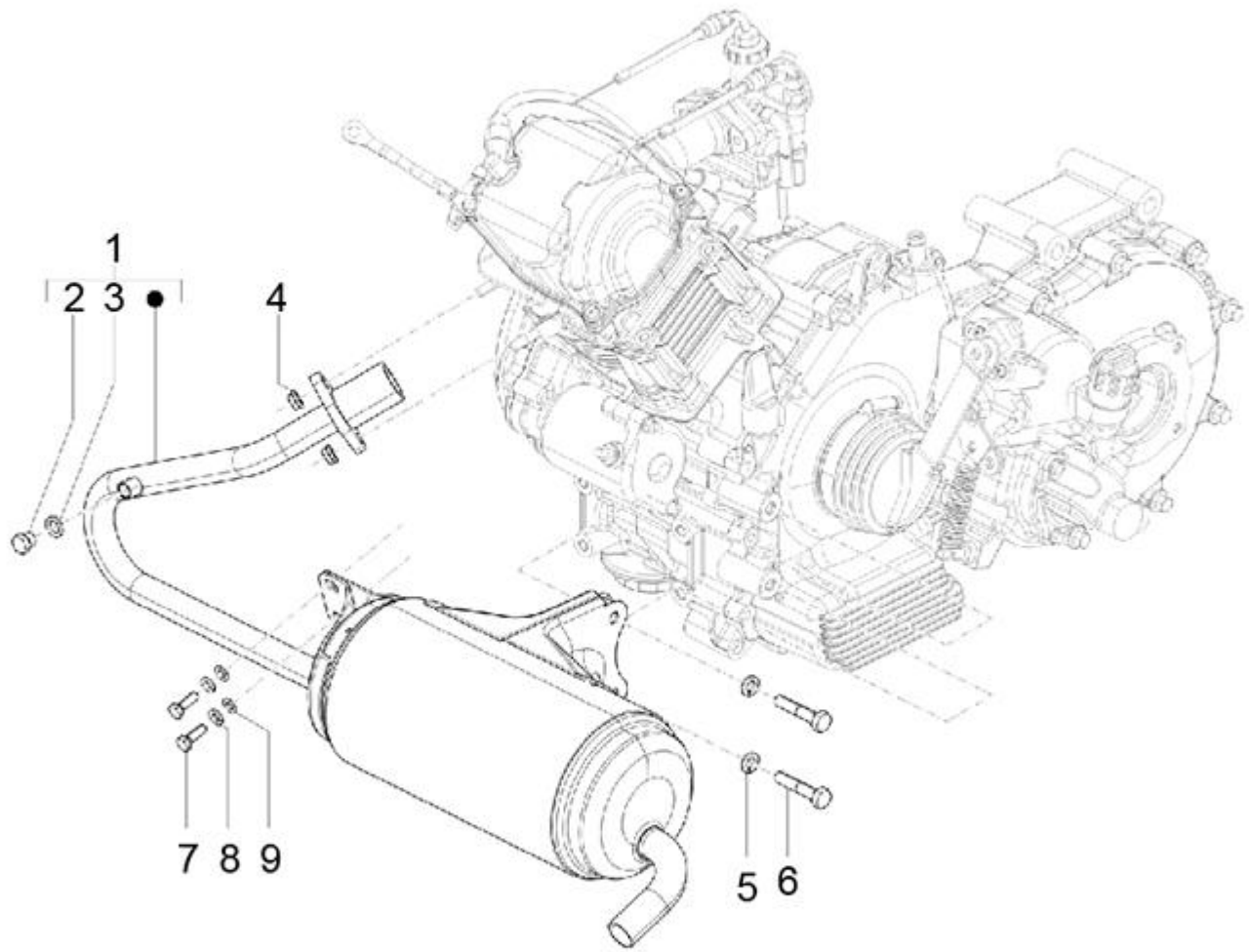


PLATE-17
SILENCER

Fig. No.	Part No.	Description	Qty	Remarks
1	B017921	MUFFLER ASSY-PETROL\LPG	1	
2	433122	SCREW M10X6	1	
3	16195	WASHER	1	
4	436947	FLANGED NUT M7X1 H=8	2	
5	016408	SPRING WASHER	2	
6	30074	HEX HEAD BOLT M8 X 40 CL 8.8	2	
7	31089	HEX HEAD SCREW M6X18 CL 8.8	2	
8	016406	SPRING WASHER	2	
9	003056	PLAIN WASHER	2	

PLATE-18
BOBINA A.T.

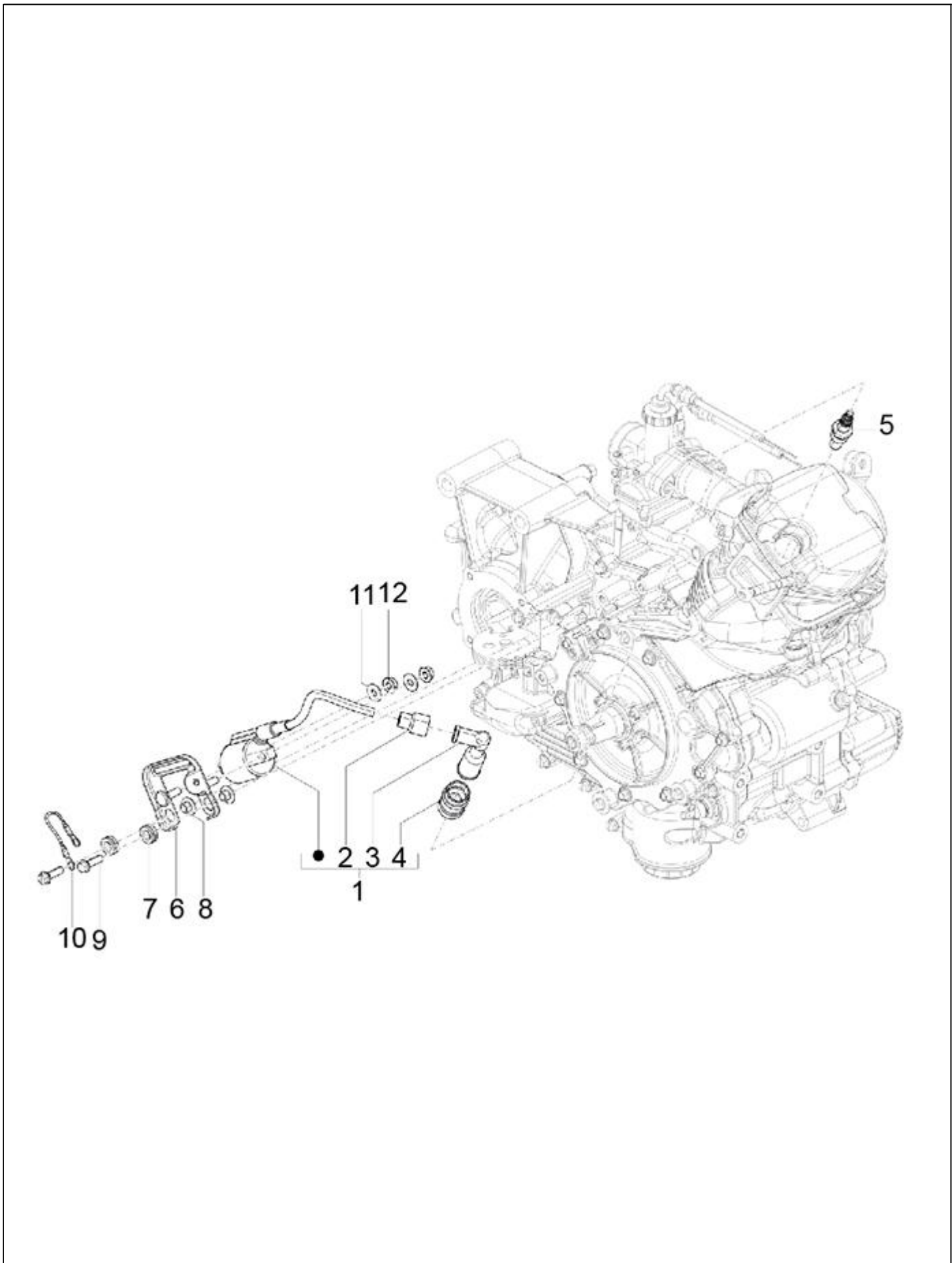


PLATE-18
BOBINA A.T.

Fig. No.	Part No.	Description	Qty	Remarks
1	1A001794	COMPLETE H.T.COIL	1	
2	642537	PROTECTION CAP	1	
3	643149	SPARK PLUG CAP	1	
4	1A001795	SPARK PLUG PROTECTION COLLAR	1	
5	643367	SPARK PLUG	1	
6	B016552	COIL SUPPORT BRACKET WITH I.P.	1	
7	B014063	BUFFER DAMPER	2	
8	B014066	SPACER	2	
9	018639	SCREW M6X20	2	
10	643156	GROUND WIRE	1	
11	013880	PLAIN WASHER	2	
12	872816	FLANGED NUT	2	

PLATE-19
AIR FILTER

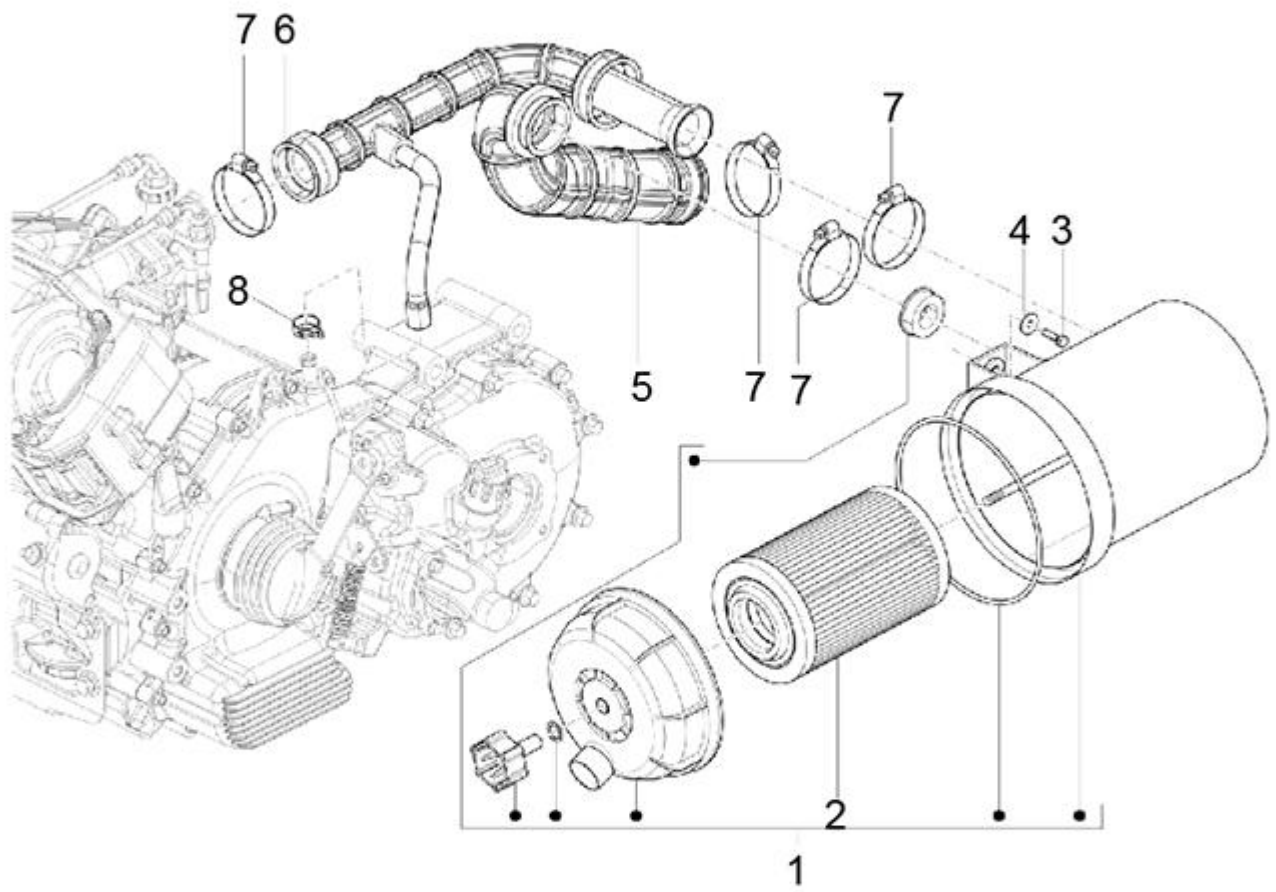


PLATE-19
AIR FILTER

Fig. No.	Part No.	Description	Qty	Remarks
1	B024450	COMPLETE AIR FILTER	1	
2	932279	AIR FILTER ELEMENT	1	
3	645037	HEX HEAD SCREW M8 X 22 CL 8.8	3	
4	016408	SPRING WASHER	3	
5	B019289	SNORKEL AIRBOX	1	
6	B018072	AIR BOX SNORKEL	1	
7	604756	HOSE CLIP	4	
8	604553	WORM CLIP	1	

PLATE-20
FRAME/BODYWORK

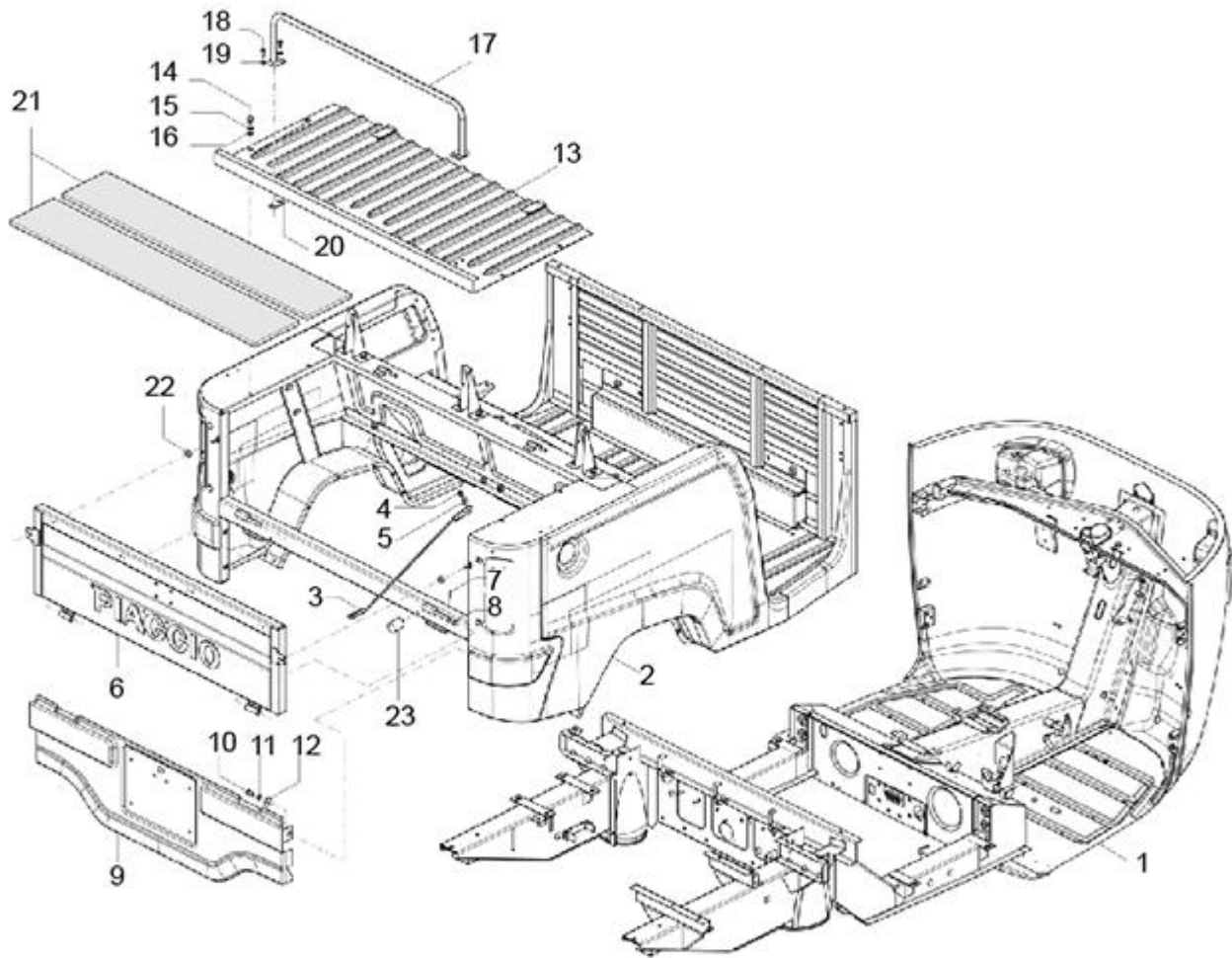


PLATE-20
FRAME/BODYWORK

Fig. No.	Part No.	Description	Qty	Remarks
1	B077588WR	MAIN FRAME ASSLY- ROMANZA-WR	1	
1	B077588BW	MAIN FRAME ASSLY- ROMANZA-WW	1	
2	B074764WR	PASSENGER BODY WITH FASTENERS-CLX IND-WR	1	
2	B074764BW	PASSENGER BODY WITH FASTENERS-CLX IND-BW	1	
3	680217	EARTHING CABLE	1	
4	31088	HEX HD SCREW M6 X 16 CL 8.8 (811061623)	2	
5	013880	PLAIN WASHER	2	
6	B024402	REAR FLAP	1	
8	013880	PLAIN WASHER	1	
9	B025672CED	REAR VISUAL BARRIER ASSY.	1	
10	31116	HEX HD. SCREW M8X16	5	
11	016408	SPRING WASHER	5	
12	116831	PLAIN METALLIC WASHER (826000828)	5	
13	B001636	ENGINE INSPECTION HATCH	1	
14	31116	HEX HD. SCREW M8X16	6	
15	016408	SPRING WASHER	6	
16	003058	PLAIN WASHER 15X8.4X1.5	6	
17	B074146	REAR LUGGAGE RACK	1	
18	31088	HEX HD SCREW M6 X 16 CL 8.8 (811061623)	4	
19	658722	PLAIN WASHER 6,4X12X1,6	4	
20	B074117	DOOR STOP FIXING PLATE	2	
21	B006792	BEADING (INSULATION ENG. COMP. COVER)	2	
22	B003654	RUBBER BUSH ENGINE DOO	2	
23	B001423	KNOB REAR DOOR	2	

PLATE-21
ENGINE MOUNTING

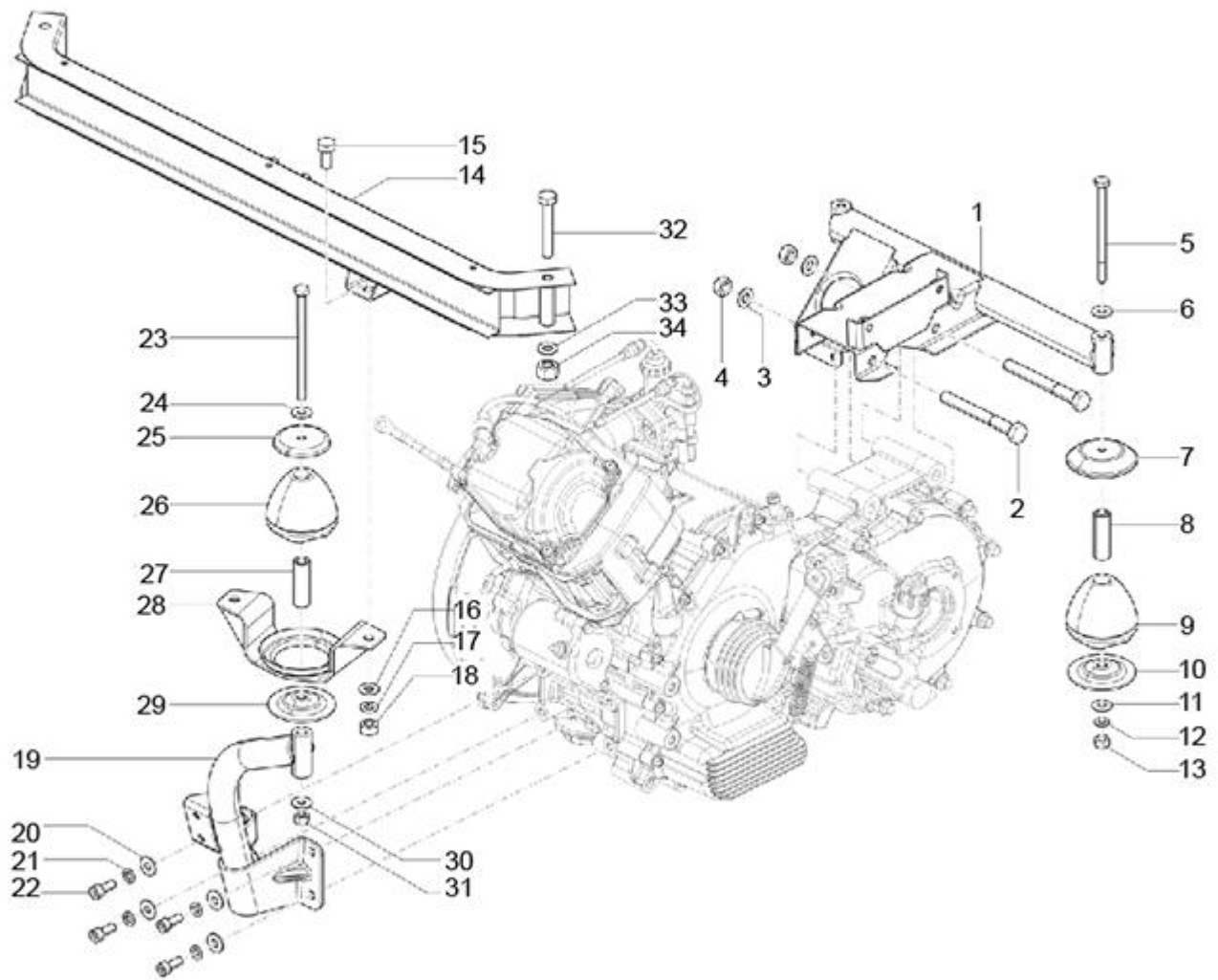


PLATE-21
ENGINE MOUNTING

Fig. No.	Part No.	Description	Qty	Remarks
1	B008921	FRT CROSS MEMBER ASSY. ENG. MTG.	1	
2	568689	HEX HEAD BOLT M10X100	2	
3	286328	PLAIN WASHER 20X10.2X2	2	
4	231370	SELF BREAKING NUT M10	2	
5	604948	HEX.HDD BOLT M8 X 110 WITH POINTING	2	
6	002383	PLAIN WASHER M20X8.5X2	2	
7	569377	PLATE	2	
8	267065	SPACER FRONT	2	
9	265091P	DUMPER ENGINE MOUNTING	2	
10	569244	PLATE	2	
11	002383	PLAIN WASHER M20X8.5X2	2	
12	016408	SPRING WASHER	2	
13	15335	HEX HD NUT M8	2	
14	B008893	CROSS MEMBER ENGINE SUPPORT REAR	1	
15	31154	HEX HDD SCREW M10X22 CL 8.8	2	
16	286328	PLAIN WASHER 20X10.2X2	2	
17	016410	SPRING WASHER	2	
18	20110	HEX NUT M10	2	
19	B008898	SUPPORT ARM ENGINE REAR SUB ASSY WITH IP	1	
20	002383	PLAIN WASHER M20X8.5X2	4	
21	016408	SPRING WASHER	4	
22	1A003946	FLANGED EXAGONAL HEAD SCREW	4	
23	272178	HEX. HDD BOLT M8 X 122 CL 10.9	1	
24	002383	PLAIN WASHER M20X8.5X2	1	
25	569375	PLATE	1	
26	265091P	DUMPER ENGINE MOUNTING	1	
27	267065	SPACER FRONT	1	
28	B003286	REAR AVM SUPPORT BKT. ASSY.	1	
29	569244	PLATE	1	
30	002383	PLAIN WASHER M20X8.5X2	1	
31	15335	HEX HD NUT M8	1	
32	604887	HEX HEAD BOLT M8X140	2	
33	016408	SPRING WASHER	2	
34	020108	HEXAGONAL NUT	2	

PLATE-22
FRONT DOOR - GLASS

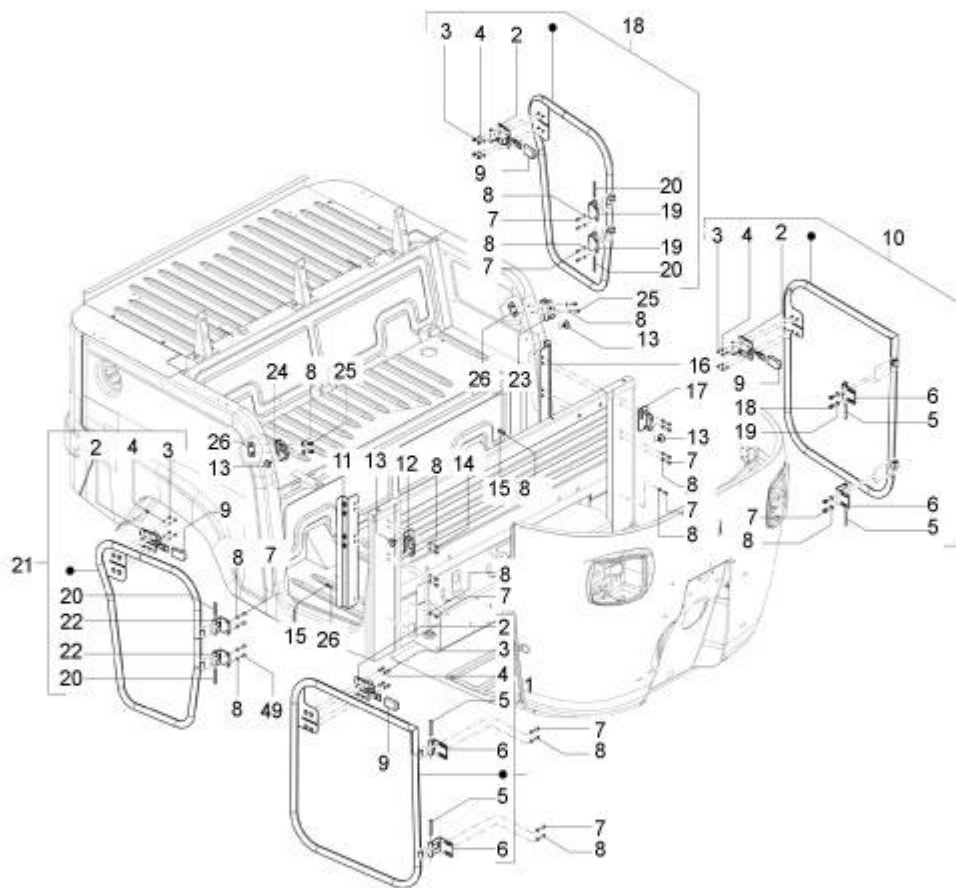


PLATE-22
FRONT DOOR - GLASS

Fig. No.	Part No.	Description	Qty	Remarks
1	B074513	RH FRONT DOOR	1	
2	B073607R	COMPLETE LOCK	1	
3	658820	SELF-LOCKING DOME CAP NUT	4	
4	658887	PLAIN WASHER 10X5,3X1	4	
5	17702	SPRING PIN	2	
6	B074049	UPPER FRONT HINGE	1	
7	658848	TBCEI SCREW M6X12	4	
8	658722	PLAIN WASHER 6,4X12X1,6	4	
9	1E000361	HANDLE PROTECTION	4	
10	B074508	LH FRONT DOOR	1	
11	B074043	RH HINGE SUPPORT	1	
12	B003365	RH FRONT DOOR STOP	1	
13	B077358	STOP BUFFER	4	
14	660168	PAN SELF TP. SCREW 10 SGX13AB	4	
15	658825	SELF-LOCKING DOME CAP NUT M6	1	
16	1E000388	LH HINGE SUPPORT	1	
17	B003366	LH FRONT DOOR STOP	1	
18	B074517	LH FRONT DOOR	1	
19	-	NOT SERVICEABLE	2	NS
20	17701	SPRING PIN 6 X 50	2	
21	B074518	RIGHT REAR DOOR	1	
22	1E000193	REAR VEHICLE SIDE HALF-HINGE	2	
23	1E000274	LH REAR DOOR STOP	1	
24	1E000279	RH REAR DOOR STOP	1	
25	658721	TBCEI SCREW M6X16	4	
26	B074117	DOOR STOP FIXING PLATE	2	

PLATE-23
PASSENGER COMPARTMENT - DOORS

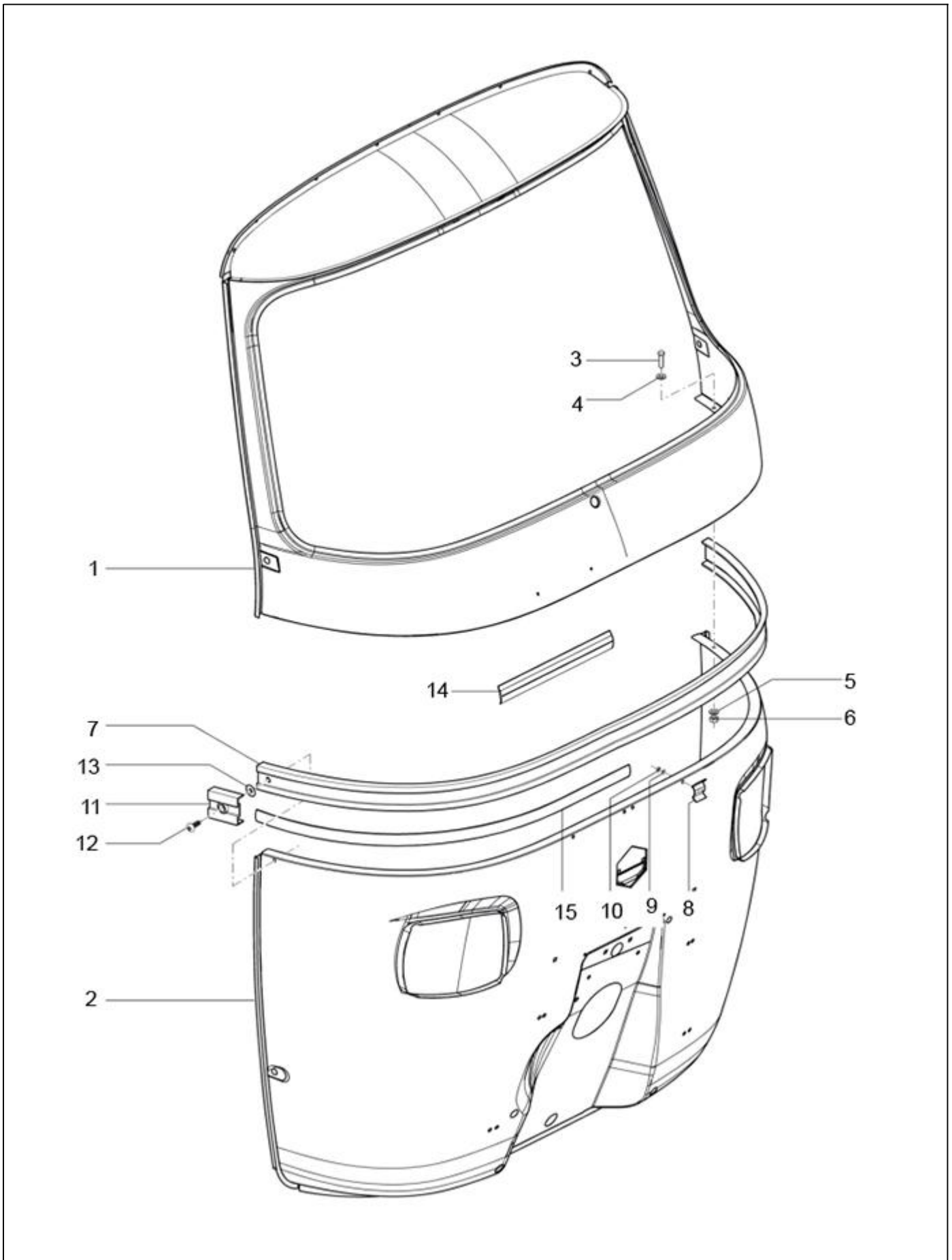


PLATE-23

PASSENGER COMPARTMENT - DOORS

Fig. No.	Part No.	Description	Qty	Remarks
1	B074737ED	COMPLETE WINDSHIELD FRAME	1	
2	B002164	LOWER SHIELD	1	
3	30242	SLOT CH. HD. SCREW	10	
4	16405	SPRING WASHER M5	10	
5	12546	PLAIN WASHER / MULTI TOOTH LOCK WASHER M5	10	
6	020105	HEXAGONAL NUT	10	
7	B024645	RIM COVERAGE JOINT	1	
8	190462	PLATE ASSY.	5	
9	003054	PLAIN WASHER	5	
10	20104	HEX NUT M4	5	
11	B024855	TERMINAL	2	
12	15911	PAN SELF TAP SCREW 8SG X 16 AB	2	
13	14034	'O' RING	2	
14	-	NOT SERVICEABLE	1	NS
15	-	NOT SERVICEABLE	2	NS
16	B002509	PLUG FOR SQ. 7 HOLE ON DOME	2	

PLATE-24

WINDSHIELD - GLASS AND HOOD FRAME ASSY

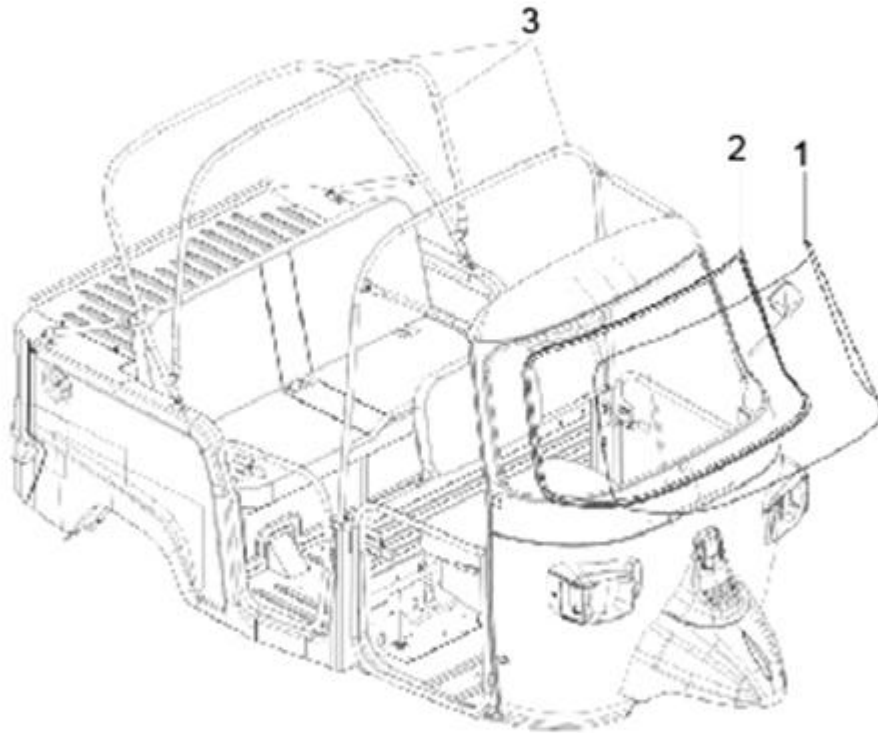


PLATE-24

WINDSHIELD - GLASS AND HOOD FRAME ASSY

Fig. No.	Part No.	Description	Qty	Remarks
1	587963	LAMINATED WINDSHIELD GLASS	1	E - Marked (Export)
2	109012P	WINDSHIELD PACKING	1	
3	B077627	HOOD STRUCTURE & FASTENERS KIT	2	

PLATE-25
WHEEL HUOSING - MUDGUARD

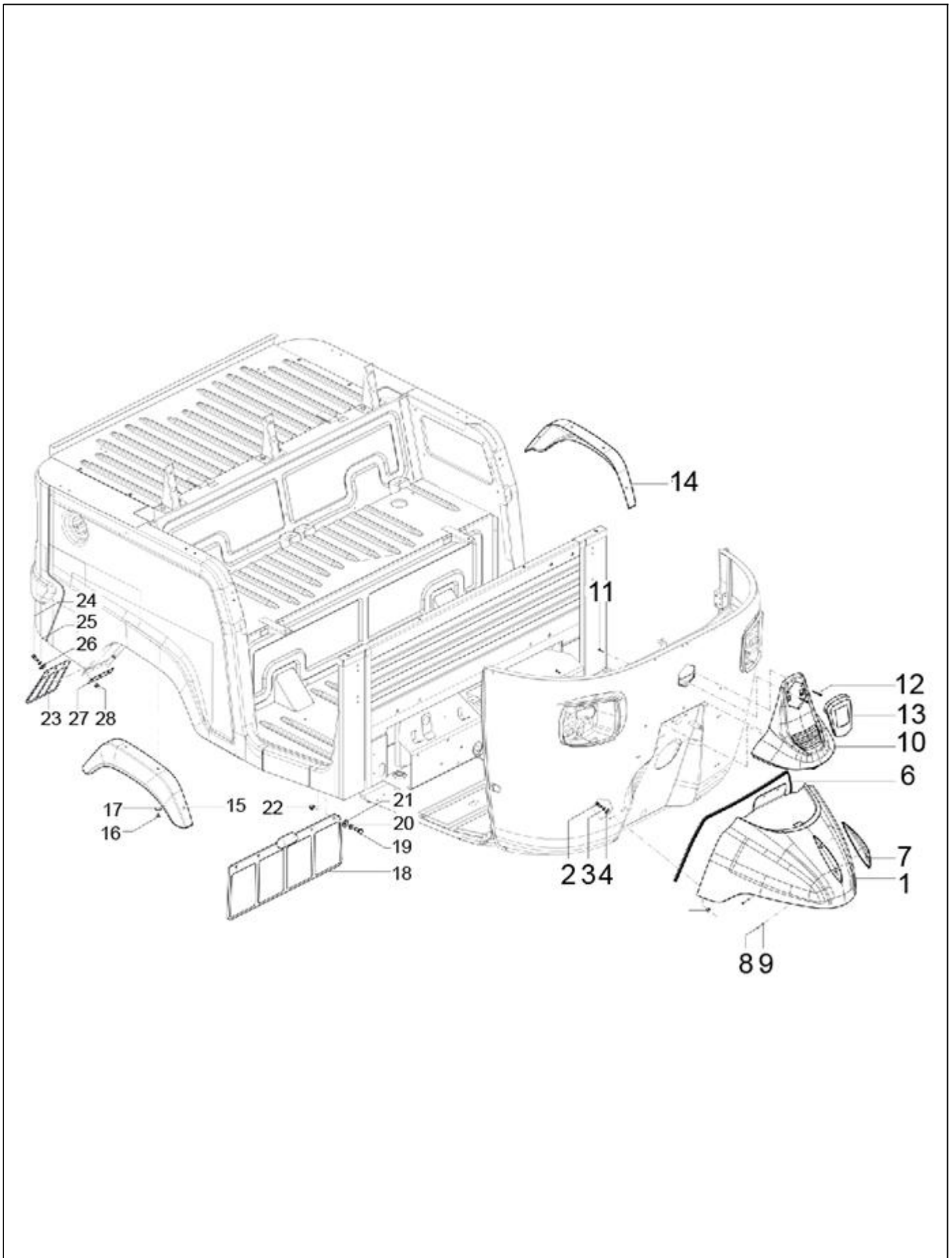


PLATE-25

WHEEL HUOSING - MUDGUARD

Fig. No.	Part No.	Description	Qty	Remarks
1	B024452	FR. MUDGUARD & TRIM ASSLY	1	
2	31089	HEX HEAD SCREW M6X18 CL 8.8	4	
3	078307	SPRING WASHER	4	
4	013880	PLAIN WASHER	4	
5	020106	HEXAGONAL NUT	4	
6	568703	GASKET FOR FRONT MUDGUARD	1	
7	B025603	FR. MUD. TRIM	1	
8	B001493	PAN SELF TAP SCREW 4SG X 16AB	2	
9	97756	METALLIC PLAIN WASHER	2	
10	B025598BW	CENTRAL COVER-WHITE	1	
10	B025598WR	CENTRAL COVER-RED	1	
11	568692	PAN SELF TAP SCREW 6SG X 16AB	2	
12	B001493	PAN SELF TAP SCREW 4SG X 16AB	2	
13	B074375	HEX EMBLEM-LOGO SUPPORT-CALEX IND	1	
14	B073852	MUDGUARD REAR LH	1	
15	B073853	RR MUDGUARD RH	1	
16	604603	RIVET	8	
17	16603	PLAIN WASHER (METALLIC)	8	
18	B041054	MUD FLAP FRONT	1	
19	31088	HEX HD SCREW M6 X 16 CL 8.8 (811061623)	4	
20	016406	SPRING WASHER	4	
21	013880	PLAIN WASHER	4	
22	020106	HEXAGONAL NUT	4	
23	B001789	MUDFLAP MUDGAURD REAR	2	
24	31088	HEX HD SCREW M6 X 16 CL 8.8 (811061623)	6	
25	016406	SPRING WASHER	6	
26	013880	PLAIN WASHER	6	
27	B001788	CLAMP MUDFLAP REAR	1	
28	020106	HEXAGONAL NUT	4	

PLATE-26
PLATES-EMBLEMS

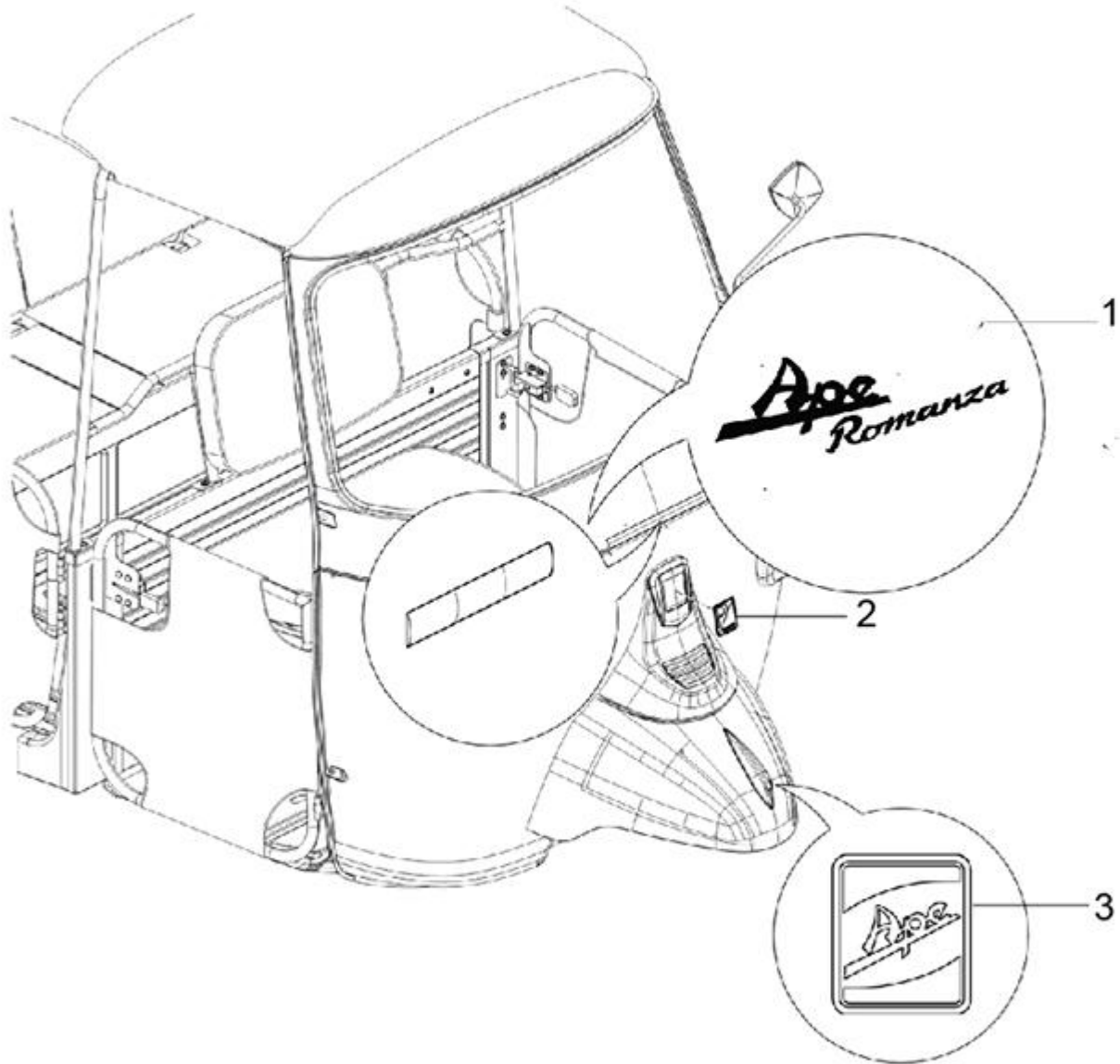


PLATE-26

PLATES-EMBLEMS

Fig. No.	Part No.	Description	Qty	Remarks
1	B075746	STICKER APE ROMANZA	1	
2	B025128	PIAGGIO SHIELD	1	
3	B003261	ORNAMENT CREST	1	

PLATE-27
FRONT SEATS

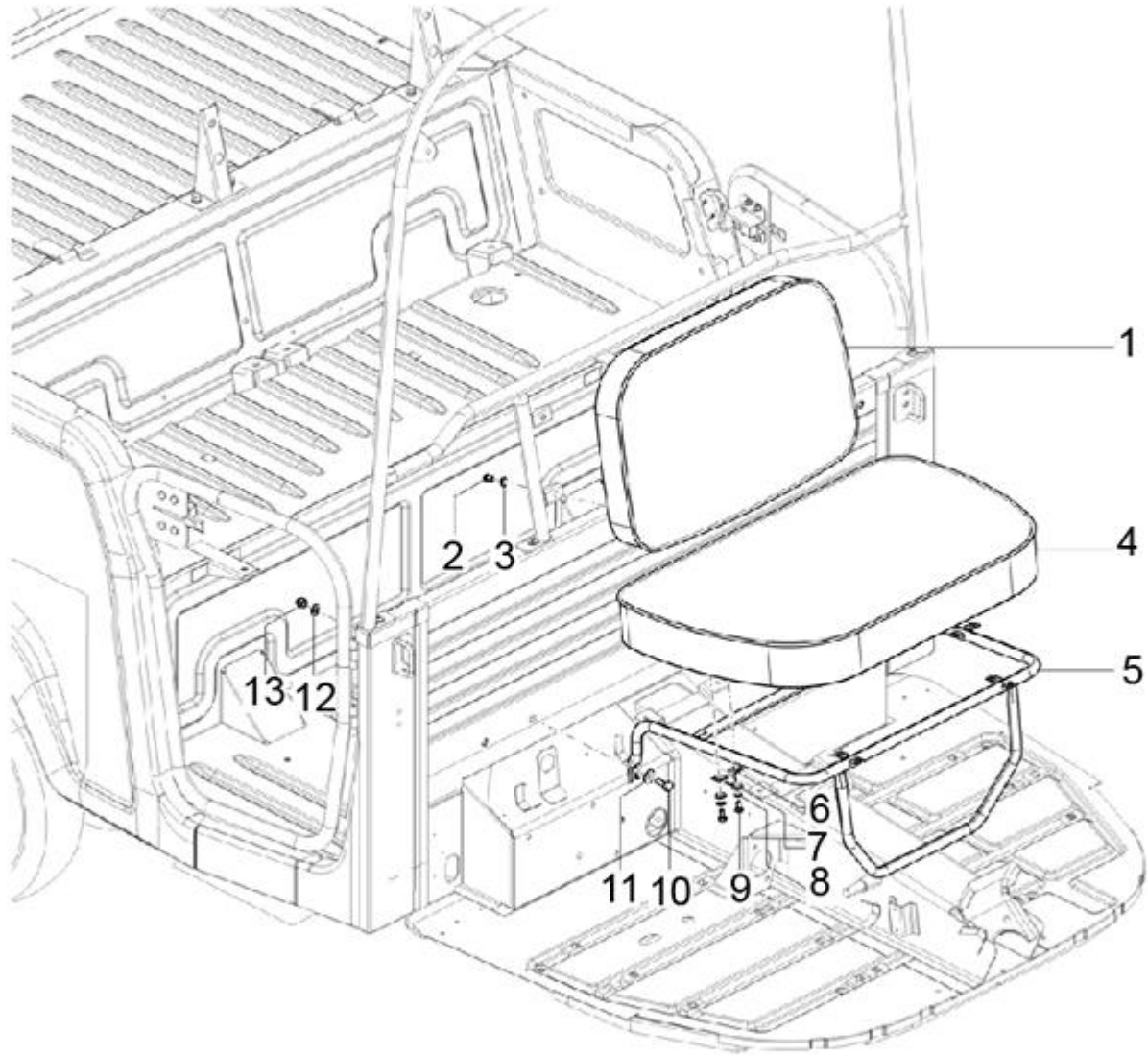


PLATE-27
FRONT SEATS

Fig. No.	Part No.	Description	Qty	Remarks
1	B074263	DRIVER BACKREST	1	
2	604606	HEX HD. SCREW M5X20 CL8.8	4	
3	16405	SPRING WASHER M5	4	
4	B077000	DRIVER S SEAT	1	
5	B077001	PIPE ASSLY - DRIVER SEAT BSIV EXPORT	1	
6	31122	HEX HD. SCREW M8X30 CL 8.8	4	
7	013880	PLAIN WASHER	8	
8	016406	SPRING WASHER	8	
9	31086	SCREW M6X12	8	
10	002383	PLAIN WASHER M20X8.5X2	2	
11	31118	SCREW M8X20	2	
12	658840	PLAIN WASHER 8,4X16X1,6	2	
13	658842	CAP SELF-LOCKING NUT M8	2	

PLATE-28
REAR SEATS

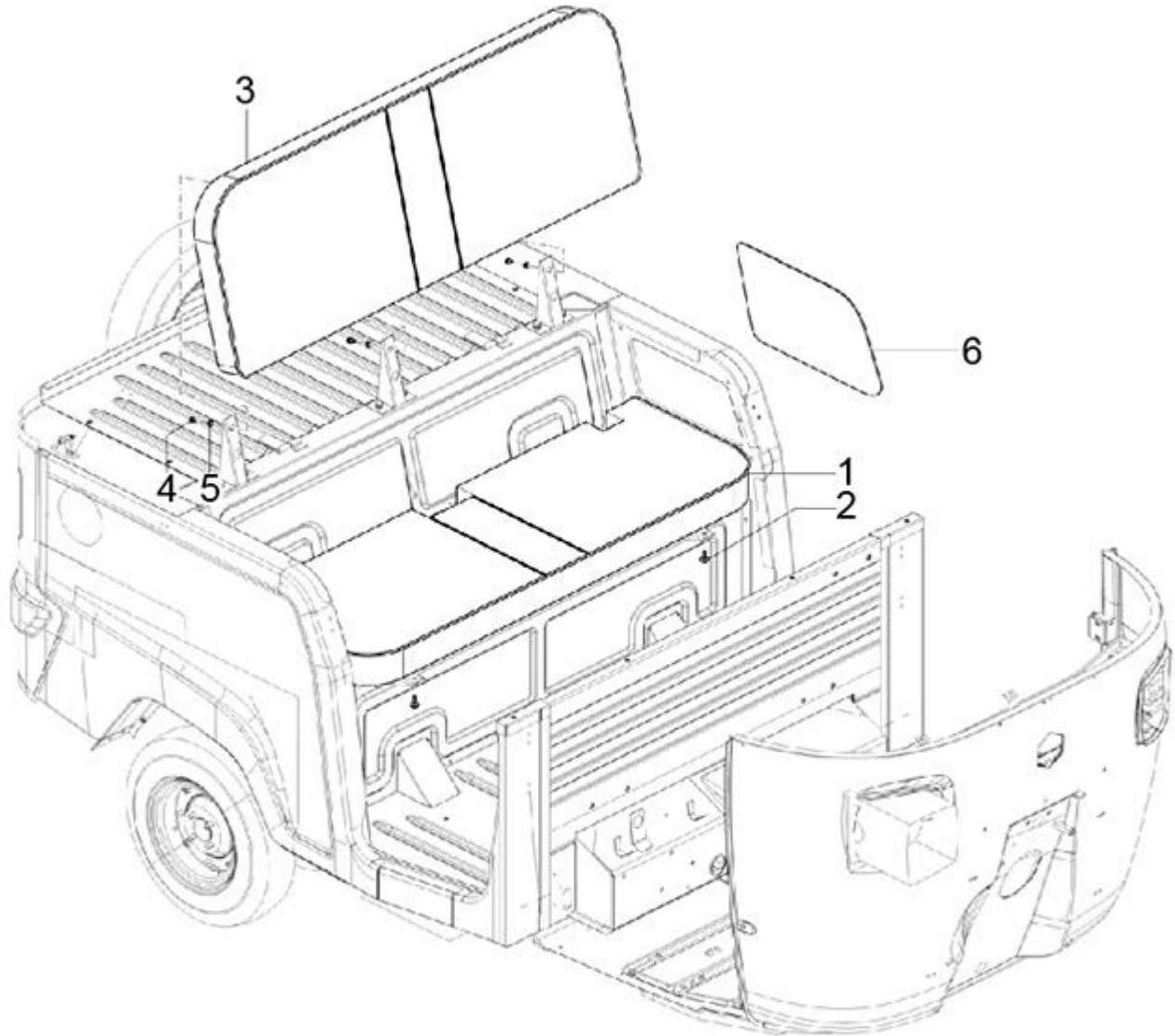


PLATE-28
REAR SEATS

Fig. No.	Part No.	Description	Qty	Remarks
1	B074252	PASSENGER SEAT S/A-ROMANZA	1	
2	31116	HEX HD. SCREW M8X16	2	
3	B024512	PASSENGER BACKREST	1	
4	658848	TBCEI SCREW M6X12	3	
5	003058	PLAIN WASHER 15X8.4X1.5	3	
6	B074277	RH SIDE PANEL	1	
6	B074276	LH SIDE PANEL	1	

PLATE-29
INTERIOR - COVERING

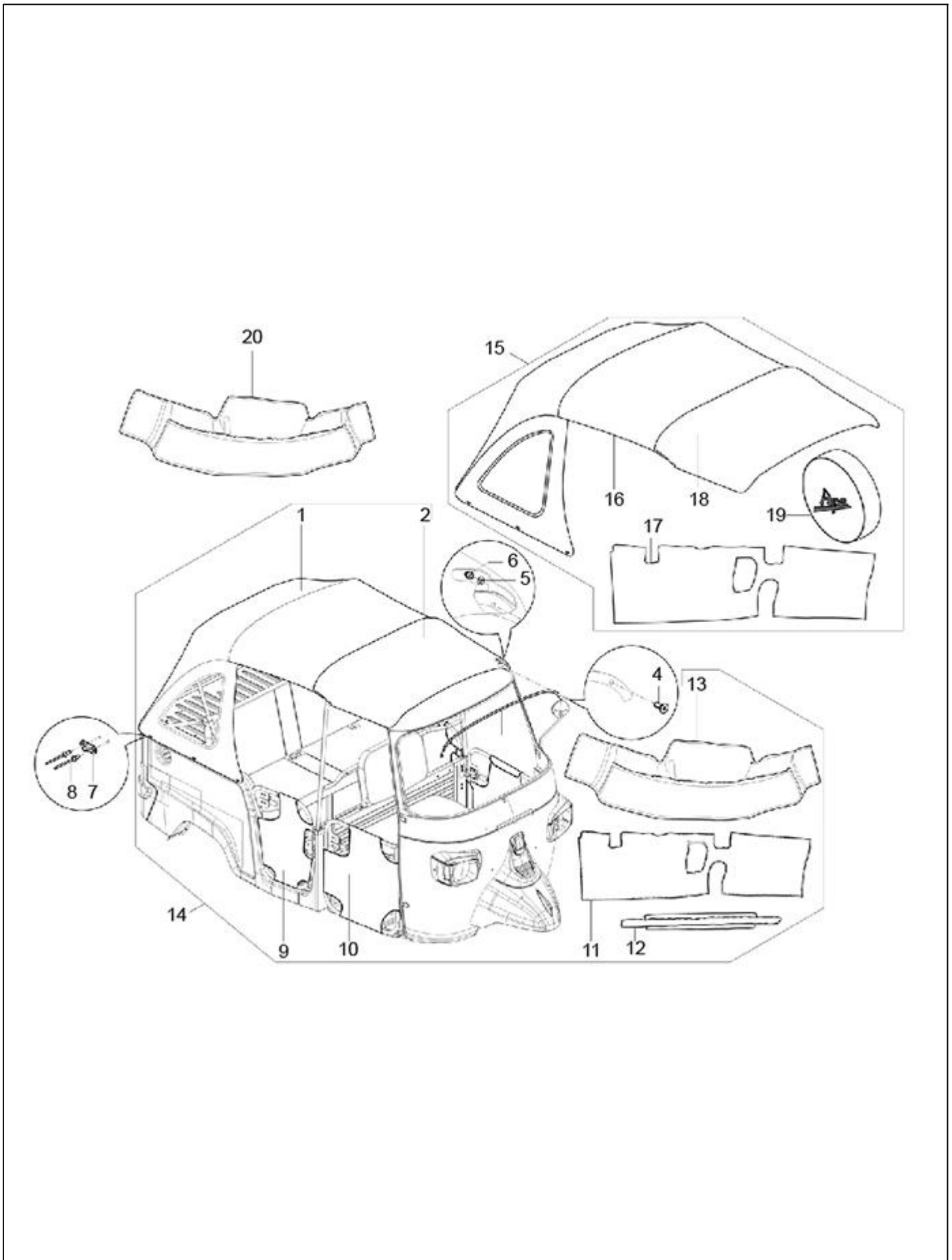


PLATE-29

INTERIOR - COVERING

Fig. No.	Part No.	Description	Qty	Remarks
1	B074162 ROM	SOFT TOP ASSLY (OPEN)-CALEX IND	1	
2	-	NOT SERVICEABLE	1	NS
4	B074157	TCCEI SCREW M5X20	7	
5	003055	RAW WASHER(808000527)	7	
6	B074098	NUT, SELF-LOCKING M5 (SS)	7	
7	658870	TENAX BUTTON	12	
8	660121	RIVET	24	
9	B074167	KIT COVER-DOOR -IND CALEX	1	
10	-	NOT SERVICEABLE	1	NS
10	-	NOT SERVICEABLE	1	NS
11	-	NOT SERVICEABLE	1	NS
12	-	NOT SERVICEABLE	1	NS
13	-	NOT SERVICEABLE	1	NS
14	-	NOT SERVICEABLE	1	NS
15	B074162	HL FINISHING KIT	1	
16	-	NOT SERVICEABLE	1	NS
17	-	NOT SERVICEABLE	1	NS
18	-	NOT SERVICEABLE	1	NS
19	-	NOT SERVICEABLE	1	NS
20	-	NOT SERVICEABLE	1	NS

PLATE-30
DRIVING MIRROR/S

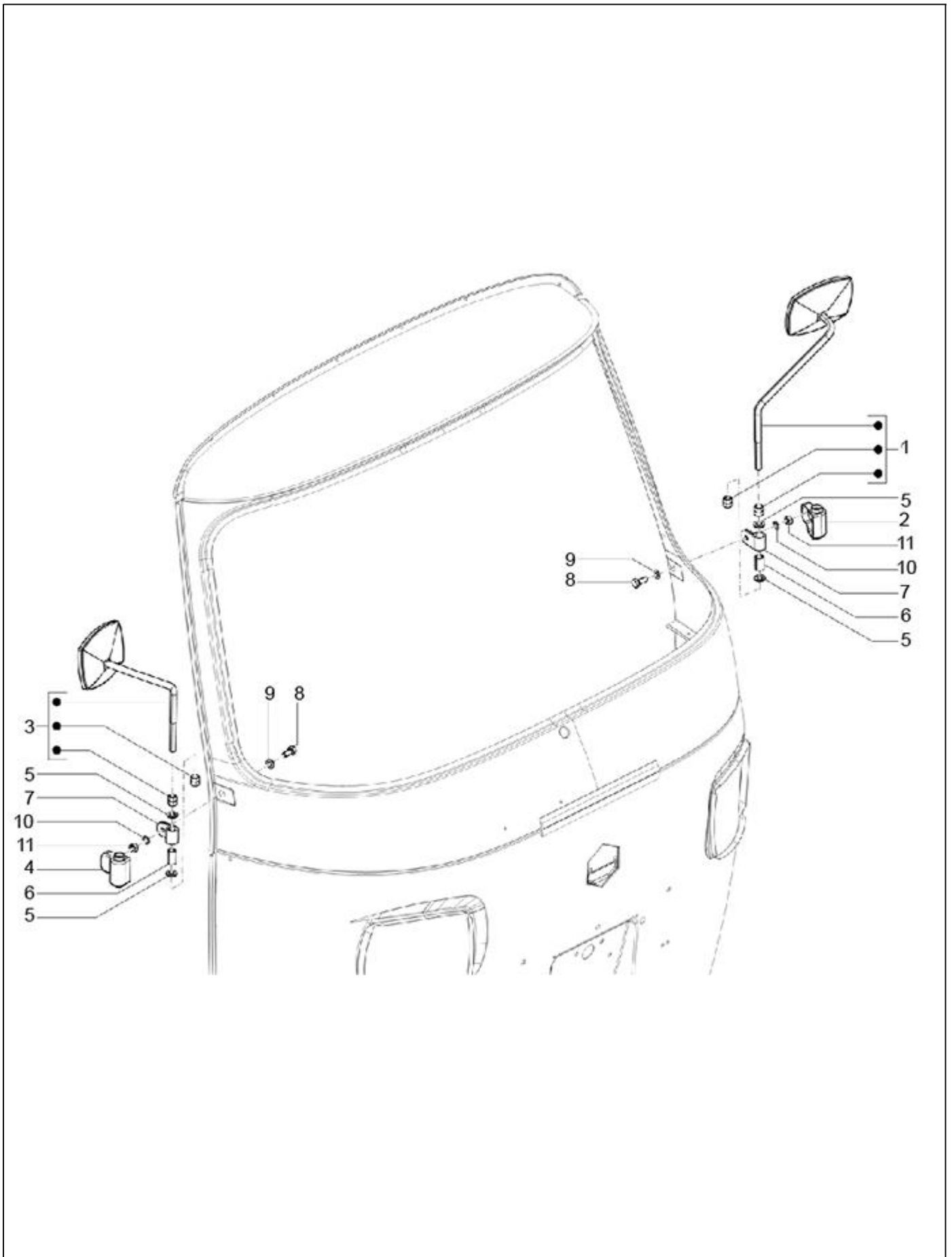


PLATE-30

DRIVING MIRROR/S

Fig. No.	Part No.	Description	Qty	Remarks
1	B075222	REAR VIEW MIRROR ASSLY LH_CALEX IND	1	
2	B074043	RH HINGE SUPPORT	1	
3	B075223	REAR VIEW MIRROR ASSLY RH_CALEX IND	1	
4	B074042	HINGES SUPPORT, RIGHT	1	
5	B074101	FLAT WASHER	4	
6	-	NOT SERVICEABLE	1	NS
7	643613	REAR VIEW MIRROR ATTACHMENT	2	
8	30072	HEX HEAD BOLT M8 X 35	2	
9	13861	PLAIN WASHER 20X8.2X2.5	2	
10	12540	SPRING WASHER M8	2	
11	020108	HEXAGONAL NUT	2	

PLATE-31
LOCKS

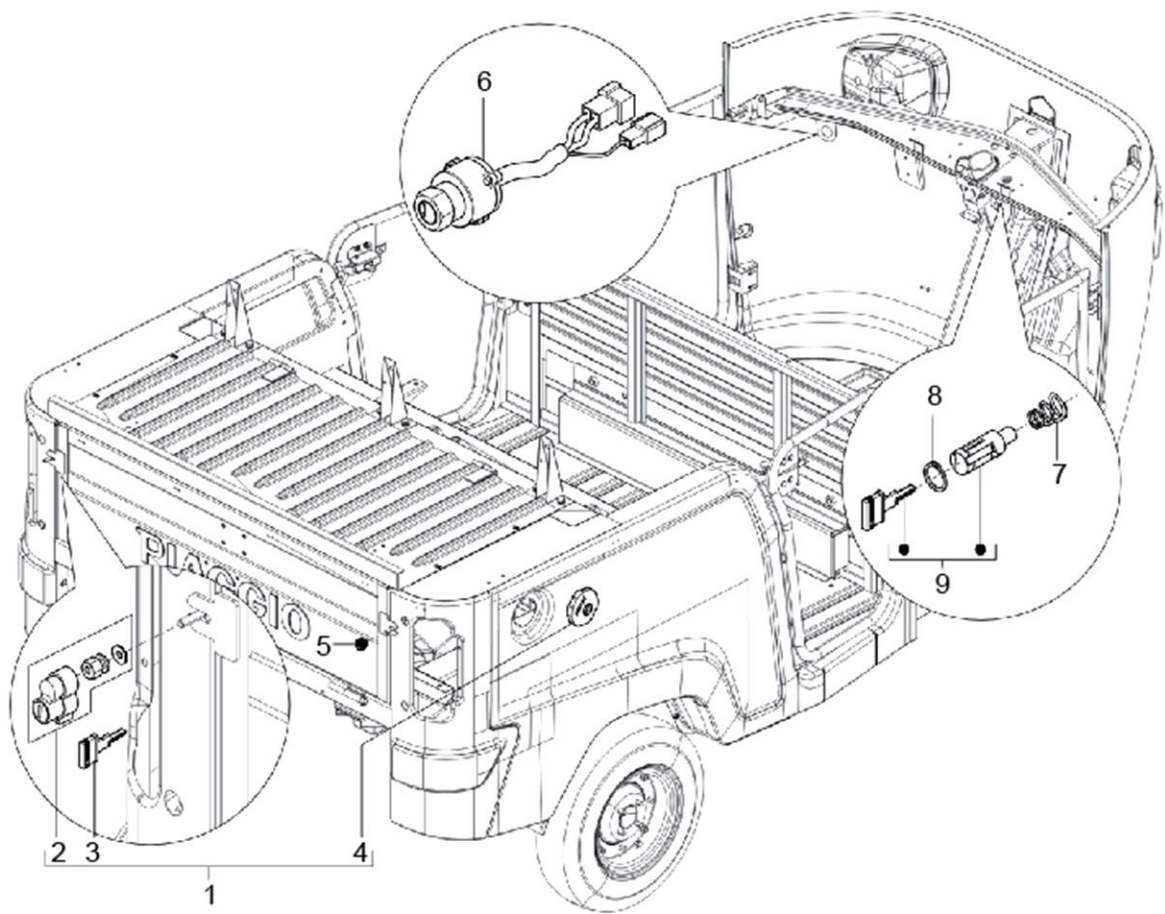


PLATE-31

LOCKS

Fig. No.	Part No.	Description	Qty	Remarks
1	B024683	LOCK SET	1	
2	B006949	NUT WITH LOCKING	1	
3	-	NOT SERVICEABLE	1	NS
4	604965	CAP, FUEL TANK LOCK (BODY CAP)	1	
5	B042503	BUFFER FOR TAIL GATE	1	
6	B024532	KEY IGNITION SWITCH W/COUPLER (PAVNA)	1	
7	661230	STEERING LOCK	1	
8	661231	CIRCLIP STEERING LOCK DIA 16 (INT)	1	
9	569150	SPRING; STEERING LOCK (MODIFIED)	1	

PLATE-32
FUEL TANK

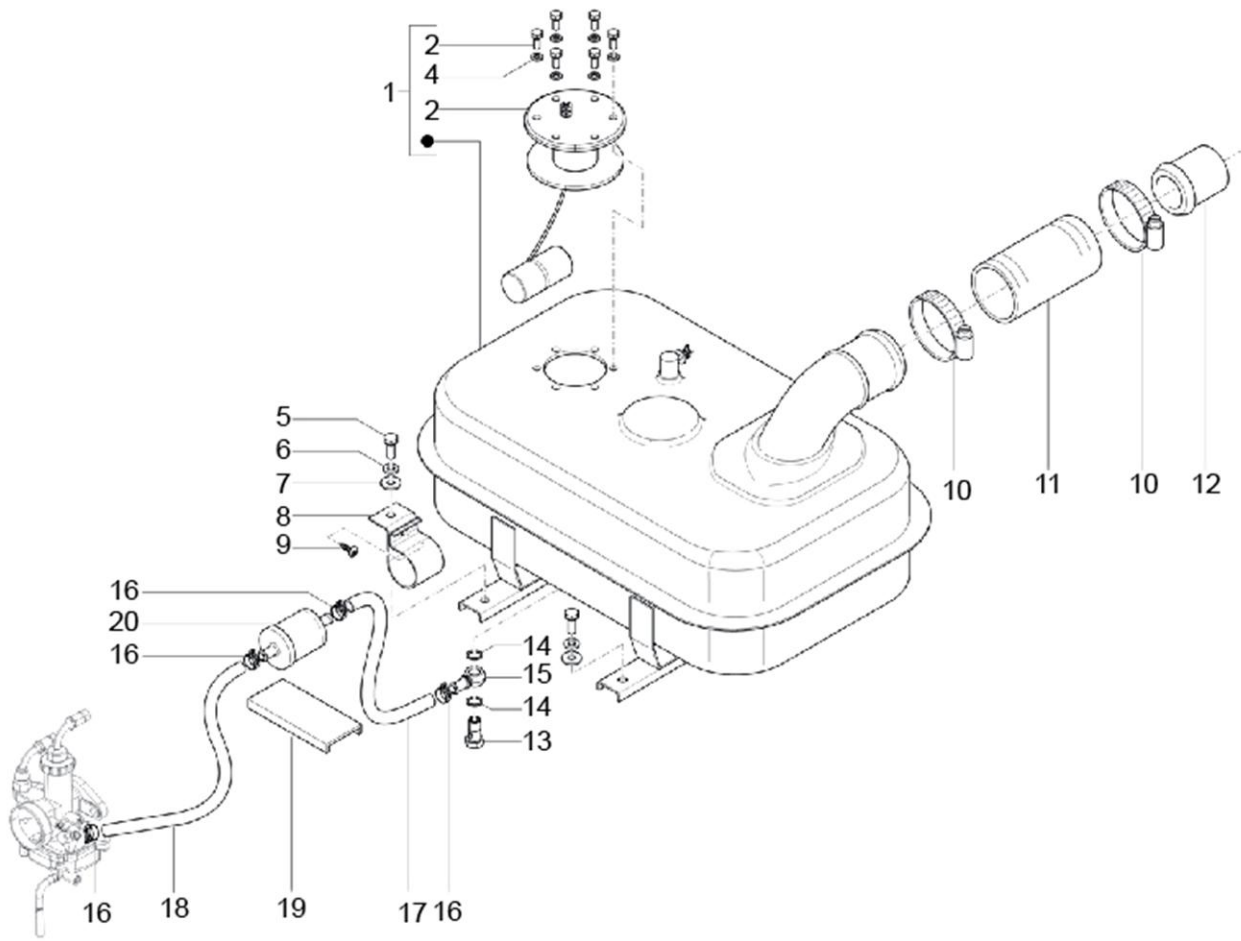


PLATE-32
FUEL TANK

Fig. No.	Part No.	Description	Qty	Remarks
1	B076903	FUEL TANK ASSLY WITH T.UNIT CITY DSL/PTL	1	
2	567878R	TANK UNIT	1	
3	31056	HEX HEAD SCREW M5 X 12 CL. 8.8	6	
4	16405	SPRING WASHER M5	6	
5	31088	HEX HD SCREW M6 X 16 CL 8.8 (811061623)	4	
6	016406	SPRING WASHER	4	
7	013880	PLAIN WASHER	4	
8	B009618	FUEL FILTER SUPPORT	1	
9	008265	SELF TAPPING SCREW	1	
10	604756	HOSE CLIP	2	
11	B003116	TUBE FUEL TANK FILLER-ALL	1	
12	B003115	TUBE FUEL TANK FILLER ASSY	1	
13	604909	BANJO BOLT (M14X1.5)	1	
14	224644	COPPER WASHER M10	2	
15	604908	BANJO	1	
16	662571	HOSE CLAMP	4	
17	B009582	FUEL PIPE TANK TO FILTER	1	
18	B024908	FUEL TUBE	1	
19	652105	RUBBER PACKING PRIMARY FUEL FILTER (PETROL & CNG/LPG)	1	
20	616738R	FUEL FILTER	1	

PLATE-33

METER COMBINATION - CRUSCOTTO

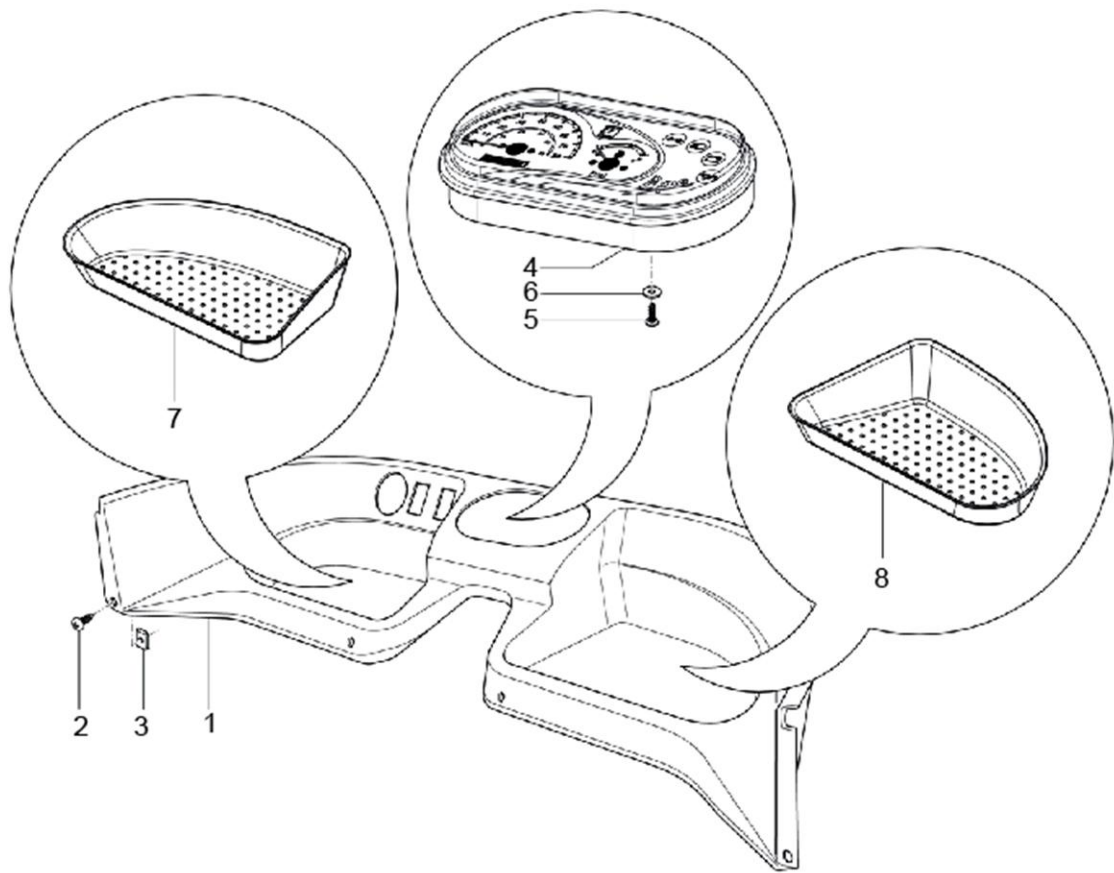


PLATE-33

METER COMBINATION - CRUSCOTTO

Fig. No.	Part No.	Description	Qty	Remarks
1	B074215	DASHBOARD, ASSY	1	
2	660168	PAN SELF TP. SCREW 10 SGX13AB	4	
3	008080	SPRING PLATE	4	
4	B074216	INSTR. CLUSTER (PETROL)	1	
5	661925	PHILIP PAN HEAD SCREW (M5 X 0.8 X 1.6)	4	
6	006078	WASHER	4	
7	-	NOT SERVICEABLE	1	NS
8	-	NOT SERVICEABLE	1	NS

PLATE-34

HANDLEBARS - MASTER CIL.

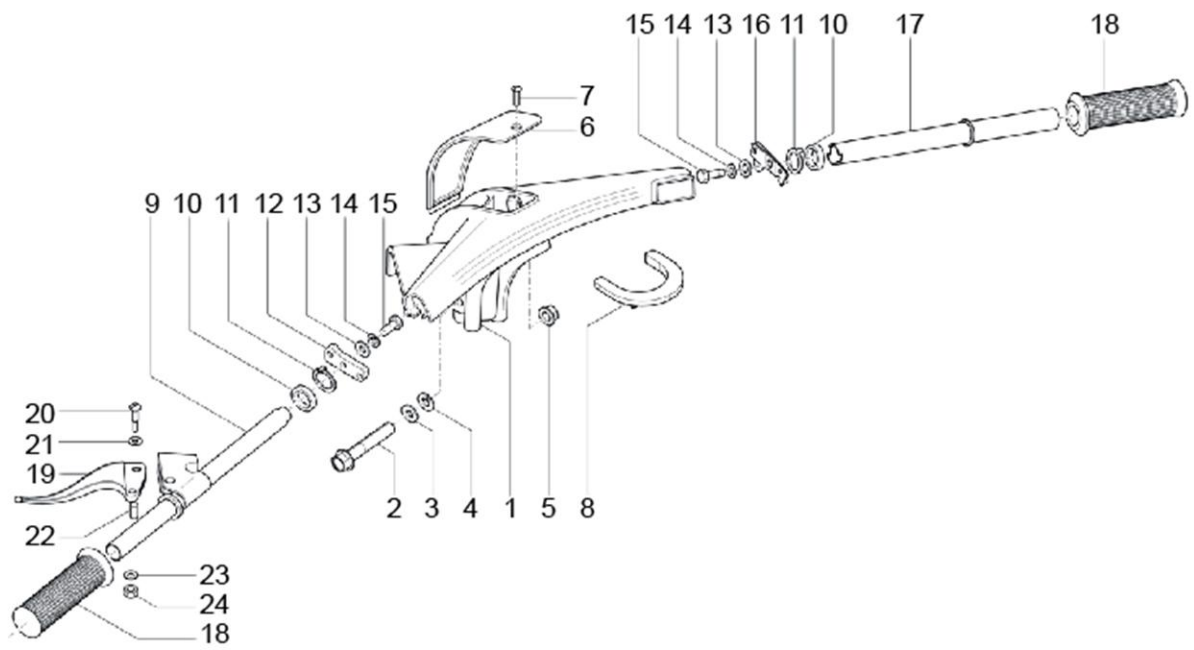


PLATE-34

HANDLEBARS - MASTER CIL.

Fig. No.	Part No.	Description	Qty	Remarks
1	B002823	HANDLE ('T' TYPE)	1	
2	30104	MOUNTING BOLT M10 X 75	1	
3	16626	PLAIN WASHER (18X10.5X2)	2	
4	B041653	SPRING WASHER	1	
5	20110	HEX NUT M10	1	
6	B073817	COVER	1	
7	632158	CSK HEAD SCREW	1	
8	126902	PROTECTION COLLAR CABLE	1	
9	B024579	CHANGE CENTRAL TUBE WITH I.P.	1	
10	109404	WASHER OF RABBET(41737)	2	
11	60565	SPRING WASHER	1	
12	109775	GEAR CONTROL LEVER S/A	1	
13	003055	RAW WASHER(808000527)	2	
14	016406	SPRING WASHER	2	
15	31089	HEX HEAD SCREW M6X18 CL 8.8	2	
16	109635	THROTTLE CONTROL LEVER WITH IP	1	
17	587902	ACCELERATOR TUBE ASSY.	1	
18	B073848	HANDLE BAR GRIP - LH	2	
18	B073849	HANDLE BAR GRIP - RH	2	
19	164906	CLUTCH CONTROL LEVER	1	
20	15618	SLT PAN HD SCREW	1	
21	16319	BENT SPRING WASHER	1	
22	125181	SPACER	1	
23	16620	PLAIN WASHER	1	
24	12138	NYLOCK NUT M6	1	
25	B006853	SPRING HANDLE BAR	1	

PLATE-35

FORK/STEERING TUBE - STEERING BEARING UNIT

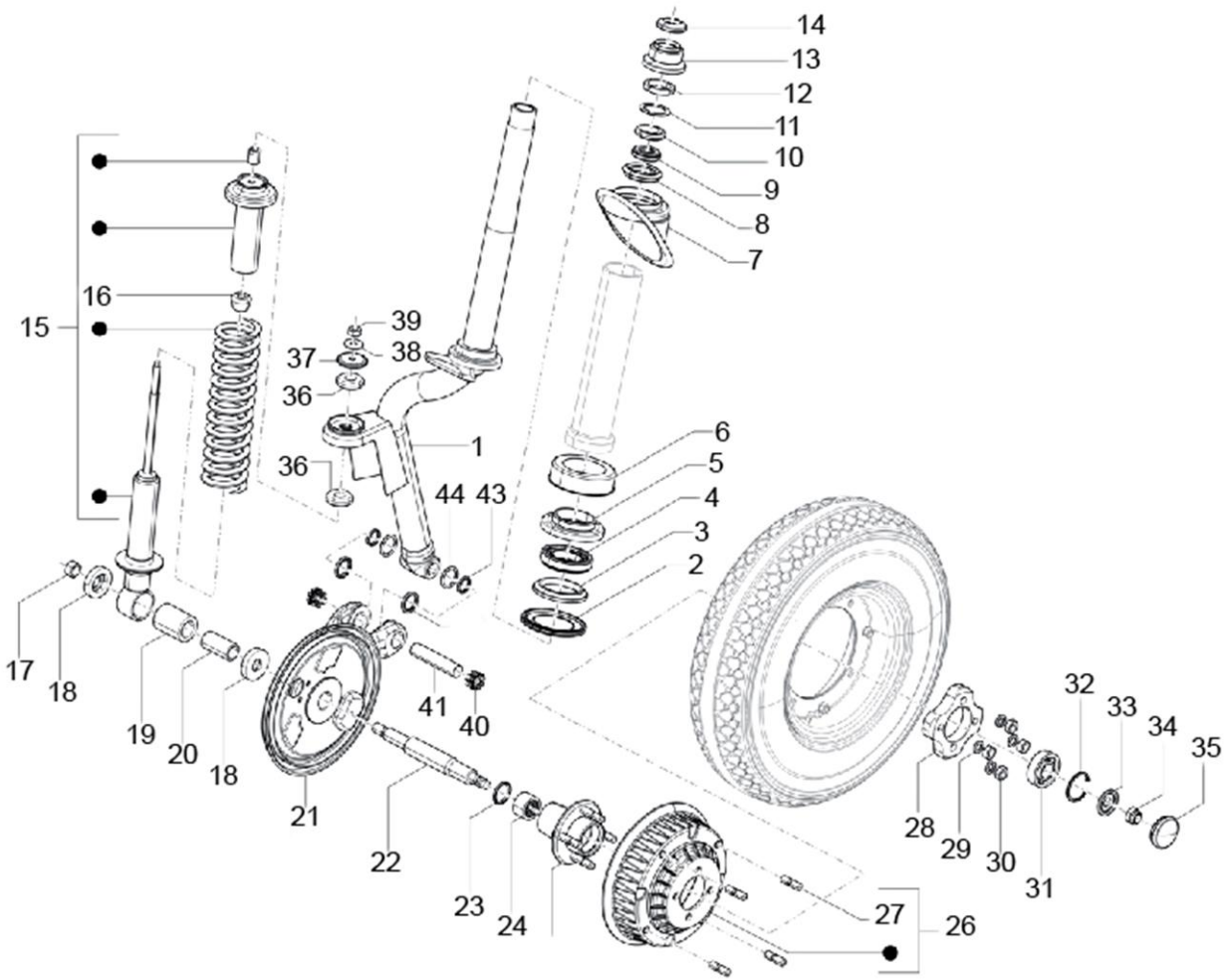


PLATE-35

FORK/STEERING TUBE - STEERING BEARING UNIT

Fig. No.	Part No.	Description	Qty	Remarks
1	B008177SP	STEERING COLUMN TUBE	1	
2	109066	WASHER WITH PROTECTION FOR BEARING	1	
3	567993	BEARING RACE LOWER BOTTOM	1	
4	662422	SOLID OIL BALL CAGE (LOWER) 7104	1	
5	567992	BEARING RACE LOWER TOP	1	
6	109064	DUST COVER	1	
7	109265	SPLASH GUARD DUST COVER	1	
8	567990	BEARING RACE UPPER BOTTOM	1	
9	662423	SOLID OIL BALL CAGE (UPPER) 7105	1	
10	567991	BEARING RACE UPPER TOP	1	
11	108873	STOP WASHER FOR HOLDING	1	
12	108874	SECURING RING NUT	1	
13	604758	PROTECTION	1	
14	604759	RUBBER CAP STEERING COLUMN (N.I.)	1	
15	B008117	FRONT SHOCK ABSORBER	1	
16	-	NOT SERVICEABLE	1	NS
17	568095	NYLOCK NUT	1	
18	87067	PLAIN WASHER 30.5X14.3X2	2	
19	566545	RUBBER BUSH (FRT SHOCK ABSORBER) - MODIFIED	1	
20	109117	RUBBER BUSH (FRT SHOCK ABSORBER) / RING	1	
21	B024018	FRONT SUSPENSION ARM	1	
22	643772R	FRONT WHEEL AXLE	1	
23	196302	OIL SEAL	1	
24	125289	NEEDLE BEARING, CRANKASE, FRONT WHEEL	1	
25	B001302	FRONT HUB ASSLY.	1	
26	B042438	BRAKE DRUM ASSY. COMPLETE	1	
27	B001323	STUD M10 - BRAKE DRUM	4	
28	B041181	SPACER DISC FRONT WHEEL MTG (ALUMIN)	1	
29	016410	SPRING WASHER	4	
30	20110	HEX NUT M10	4	
31	30209R	BALL BEARING FRONT WHEEL HUB	1	
32	567473	CIRCLIP DIA. 42 INT. (841004203)	1	
33	180431	COIN WASHER	1	
34	74521	NUT M14 X 1.5	1	
35	107871	CAP	1	

PLATE-35

FORK/STEERING TUBE - STEERING BEARING UNIT

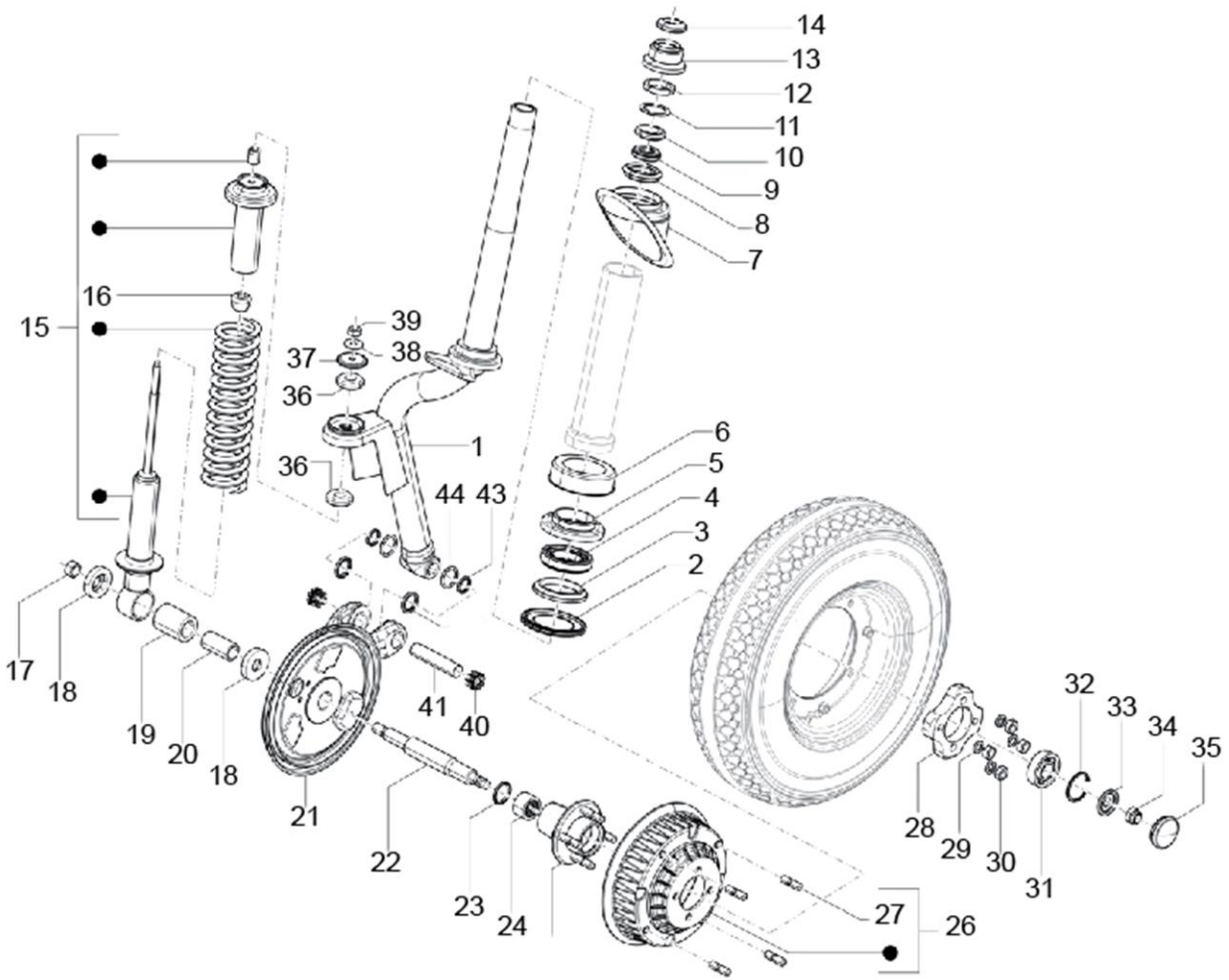


PLATE-35

FORK/STEERING TUBE - STEERING BEARING UNIT

Fig. No.	Part No.	Description	Qty	Remarks
36	74414	RUBBER BUSH/BUFFER FOR COUPLING SHOCK ABSORBE	2	
37	006066	PL WASHER 10.5X38X9	1	
38	016410	SPRING WASHER	1	
39	20110	HEX NUT M10	1	
40	107718	ROLLER BUSH	2	
41	137235	STEERING PIN	1	
42	150579	RING FOR HOLDING TYPE J F101 17A	2	
43	008771	OIL SEAL (18-24-4)	2	
44	006733	O RING	2	

PLATE-36

REAR SUSPENSION - SHOCK ABSORBER/S

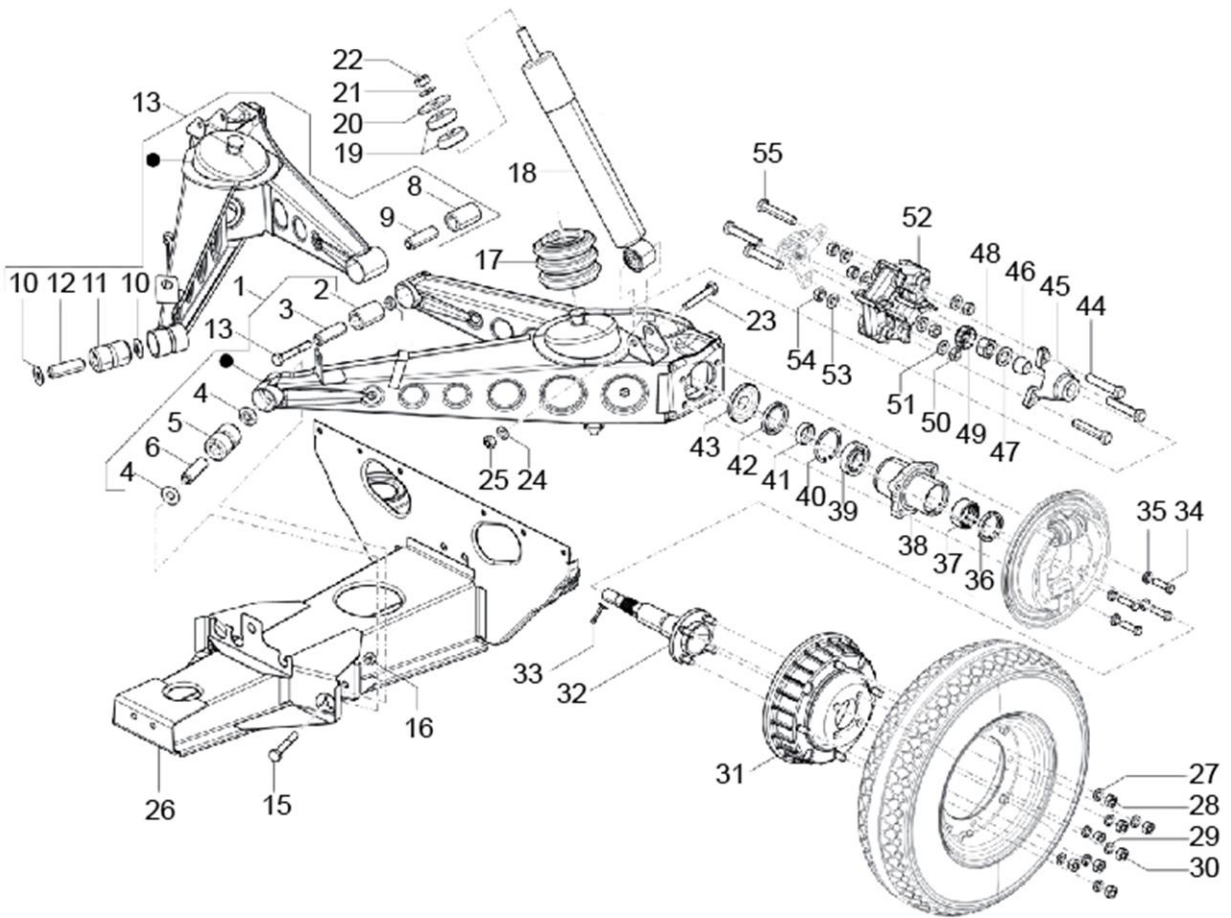


PLATE-36

REAR SUSPENSION - SHOCK ABSORBER/S

Fig. No.	Part No.	Description	Qty	Remarks
1	B009603	ARM ASSLY LH SUSPENSION WITH BUSH-PAX	1	
2	226662	RING FOR ELASTIC SUPPORT	1	
3	226661	INTERNAL BUSH	1	
4	661266	SHOULDER WASHER	2	
5	226596	BUSH FRONT RING FOR ELASTIC SUPPORT	1	
6	267065	SPACER FRONT	1	
7	B009605	ARM ASSLY RH SUSPENSION WITH BUSH-PAX	1	
8	226662	RING FOR ELASTIC SUPPORT	1	
9	226661	INTERNAL BUSH	1	
10	661266	SHOULDER WASHER	2	
11	226596	BUSH FRONT RING FOR ELASTIC SUPPORT	1	
12	267065	SPACER FRONT	1	
13	643741	HEX HDD BOLT M10 X 80 CL 12.9	2	
14	231370	SELF BREAKING NUT M10	2	
15	643741	HEX HDD BOLT M10 X 80 CL 12.9	2	
16	231370	SELF BREAKING NUT M10	2	
17	B002470	RUBBER BUMPER	2	
18	B008117	FRONT SHOCK ABSORBER	2	
19	157103	BUSH - SHOCK ABSORBER	4	
20	006066	PL WASHER 10.5X38X9	2	
21	016410	SPRING WASHER	2	
22	20110	HEX NUT M10	2	
23	267068	HEX HEAD BOLT M10 X 60 CC 10.9	2	
24	286328	PLAIN WASHER 20X10.2X2	2	
25	231370	SELF BREAKING NUT M10	2	
26	B024838	FRAME ASSY. SUSPENSION & ENGINE SUPPORT	1	
27	016410	SPRING WASHER	8	
28	20110	HEX NUT M10	8	
29	016410	SPRING WASHER	8	
30	20110	HEX NUT M10	8	
31	B042438	BRAKE DRUM ASSY. COMPLETE	2	
32	B024374	REAR AXLE COMPLETE (APE CITY)	2	
33	12790	SPLIT PIN	2	
34	B002486	BOLT M8 X 35 6G CL 12.9	8	
35	016408	SPRING WASHER	8	

PLATE-36

REAR SUSPENSION - SHOCK ABSORBER/S

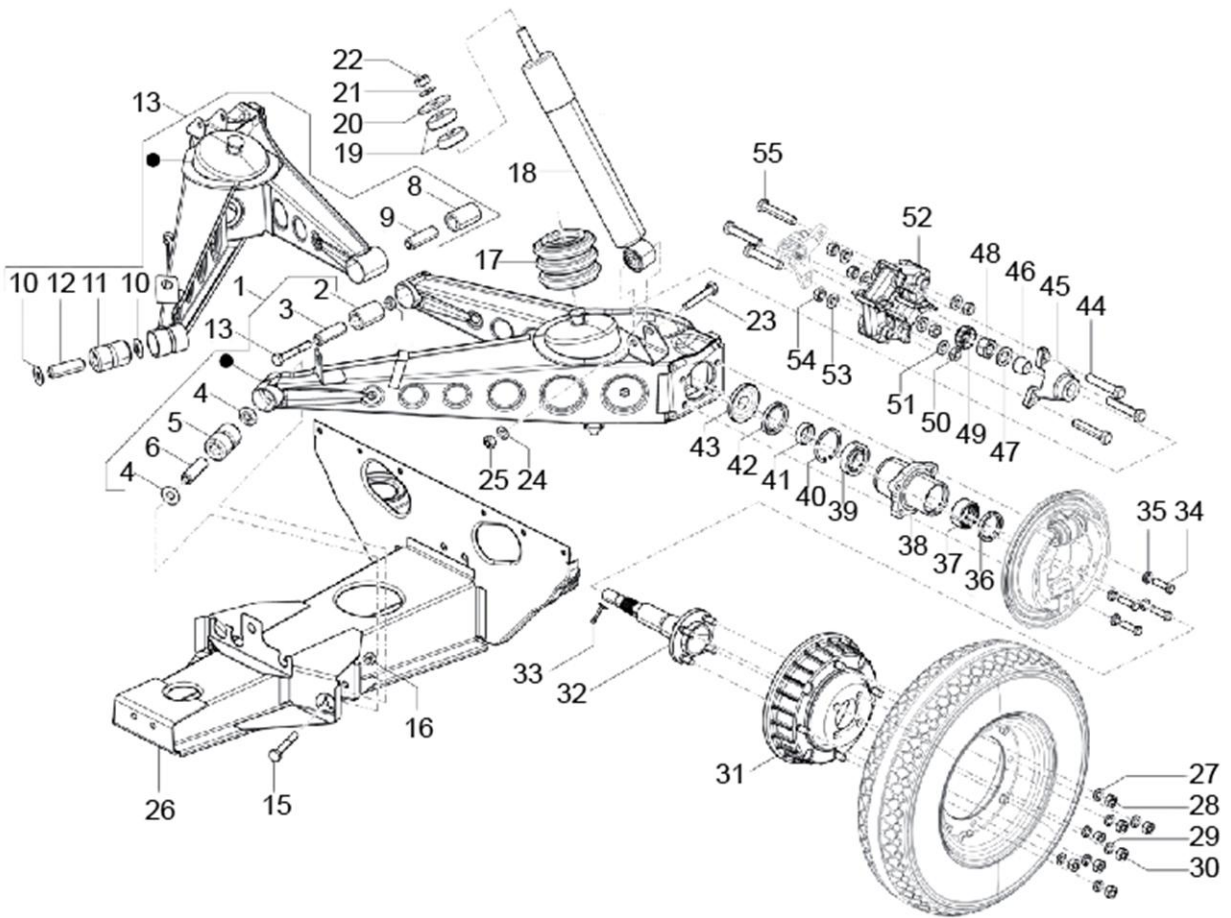


PLATE-36

REAR SUSPENSION - SHOCK ABSORBER/S

Fig. No.	Part No.	Description	Qty	Remarks
36	20359	SEAL RING	2	
37	661282	NEEDLE ROLLER BEARING	2	
38	B002344	REAR WHEEL HUB	2	
39	243303R	DEEP GROVE BALL BRG-RR WH AXLE	2	
40	006650	CIRCLIP DIA 50 (INT)	2	
41	661267	RING	2	
42	196302	OIL SEAL	2	
43	109892	PROTECTION CUP RR HUB	2	
44	15594	HEX HDD BOLT M10 X 35	3	
45	587617	ELASTIC JOINT CONNECTION HUB (WHL - SIDE)	2	
46	128633	CONE	2	
47	003068	PLAIN WASHER	2	
48	21118	HEX NUT M18 X 1.5P	2	
49	177559	CAP	2	
50	231370	SELF BREAKING NUT M10	3	
51	237246	SHIM WASHER 20X10.2X1	3	
52	604535P	FLEXIBLE COUPLING	2	
53	237246	SHIM WASHER 20X10.2X1	3	
54	231370	SELF BREAKING NUT M10	3	
55	15594	HEX HDD BOLT M10 X 35	3	

PLATE-37
FRONT AND REAR WHEELS

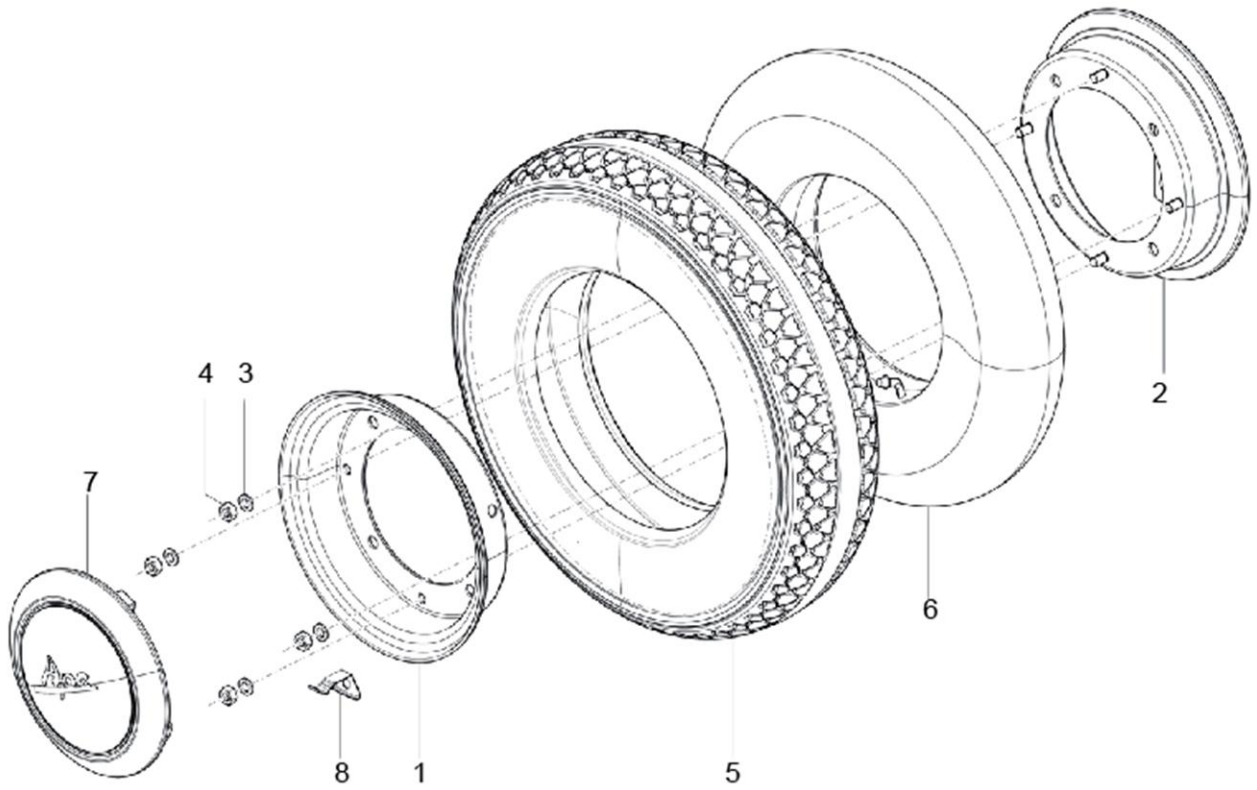


PLATE-37

FRONT AND REAR WHEELS

Fig. No.	Part No.	Description	Qty	Remarks
1	B074590R	WHEEL RIM OUTER - PAINTED	3	
2	B074588R	WHEEL RIM ASSLY INNER - PAINTED	3	
3	016410	SPRING WASHER	12	
4	20110	HEX NUT M10	12	
5	B001315	TYRE (4.0 X 8,4 PR)	3	
6	B001316	INNER TUBE FOR TYRE 4.0 X 8 INCH	3	
7	940084	WHEEL CAP SET WITH BKT-APE CITY-PP SL	3	
8	-	NOT SERVICEABLE	1	NS

PLATE-38
REAR TRANSMISSION

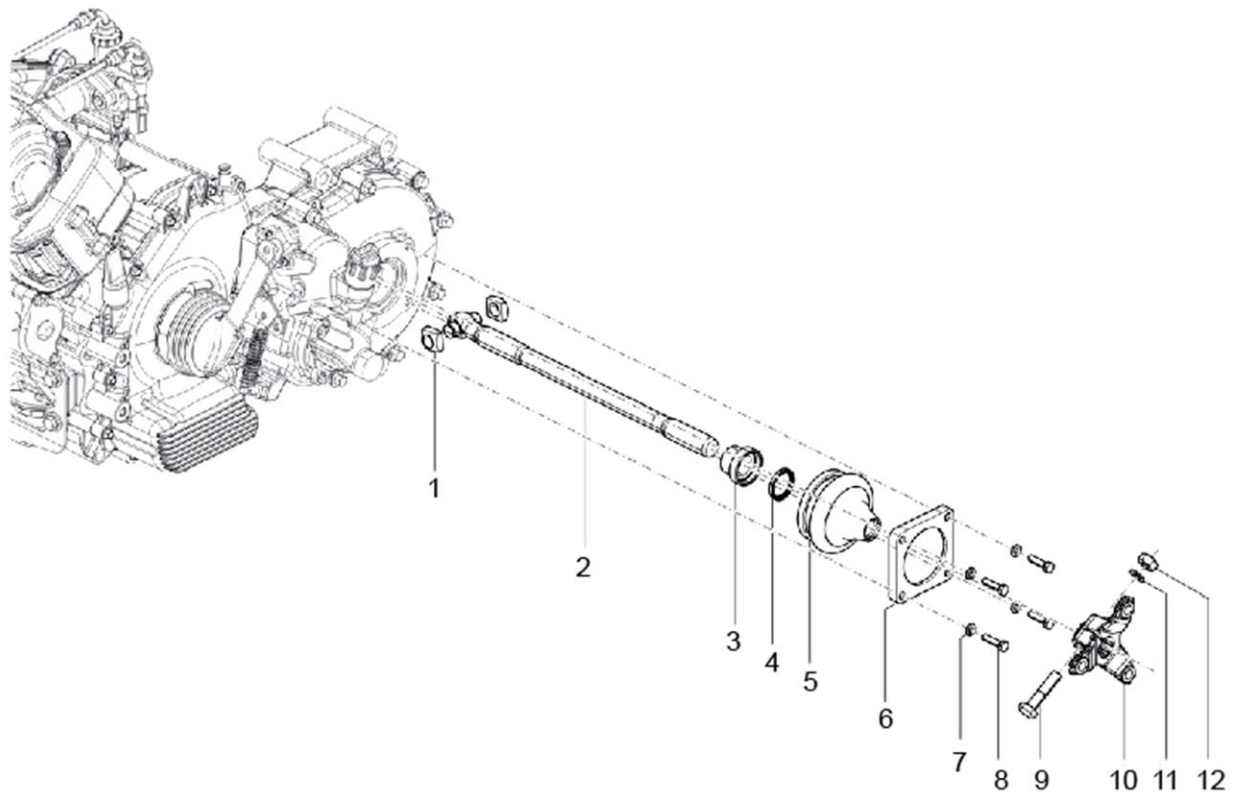


PLATE-38

REAR TRANSMISSION

Fig. No.	Part No.	Description	Qty	Remarks
1	112867R	SLIDER BLOCK PROP. SHAFT	4	
2	B023940	PROP. SHAFT S/A	2	
3	113278	BRACKET RETAINER RING (41736)	2	
4	6C000312R	SEAL RING	2	Chassis cut off MBX0003BFXE848267
5	198618P	BELLOW	2	
6	111356	COVER	2	
7	016406	SPRING WASHER	8	
8	31092	HEX. HD SCREW M6X25	8	
9	111498	ELASTIC HUB	2	
10	B024614	HEX HEAD BOLT M10X45 CL 10.9	2	
11	016410	SPRING WASHER	2	
12	231370	SELF BREAKING NUT M10	2	

PLATE-39

BRAKING SYSTEM - TRANSMISSIONS

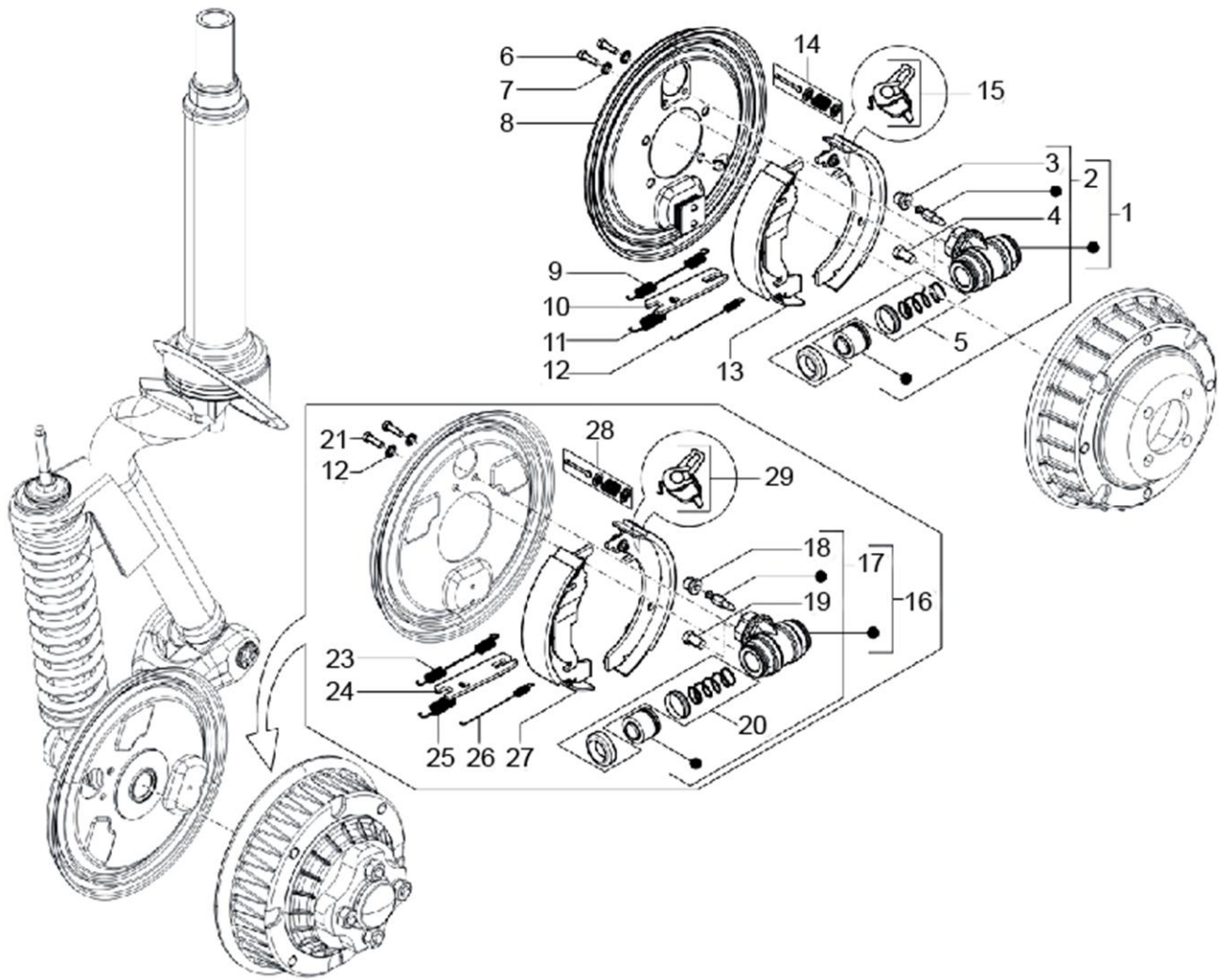


PLATE-39

BRAKING SYSTEM - TRANSMISSIONS

Fig. No.	Part No.	Description	Qty	Remarks
1	B003014	WHEEL CYLINDER ASSY. DIA.25.4 MM	1	
2	B003328	MAJOR KIT WHEEL CYLINDER	1	
3	B003299	CAP	2	
4	B003300	BLEEDER SCREW	2	
5	925574	MINOR KIT WHL CYL. RR	1	
6	63440	BOLT M6X12	4	
7	12536	SPRING WASHER	4	
8	B001225	BRAKE PLATE ASSY. LH (N.I.)	1	
8	B001228	BRAKE PLATE ASSY. RH	1	
9	B003004	SHOE RETURN SPRING (UPPER)	2	
10	B003012	STRUT REAR	2	
11	B003002	STRUT SPRING	1	
12	B003003	SHOE RETURN SPRING (LOWER)	2	
13	B003330	REAR BRAKE SHOE KIT LH	1	
13	B003331	REAR BRAKE SHOE KIT RH (NI)	1	
14	B003327	SHOE HOLD DOWN KIT	1	
15	B006509	CLIP & PIN KIT	1	
16	B003017	WHEEL CYLINDER ASSY.	1	
17	B003324	MAJOR KIT WHEEL CYLINDER	1	
18	B003295	CAP	1	
19	B003296	BLEEDER SCREW	1	
20	B003325	MINOR KIT WHEEL CYLINDER	1	
21	63440	BOLT M6X12	2	
22	12536	SPRING WASHER	2	
23	B003003	SHOE RETURN SPRING (LOWER)	1	
24	B003008	STRUT FRONT	1	
25	B003002	STRUT SPRING	1	
26	B003003	SHOE RETURN SPRING (LOWER)	1	
27	KIT95033	FRONT BRAKE LINERS KIT	1	
28	KIT95036	SHOE HOLD DOWN KIT	1	
29	B006509	CLIP & PIN KIT	1	

PLATE-40
BRAKING SYSTEM - CABALS

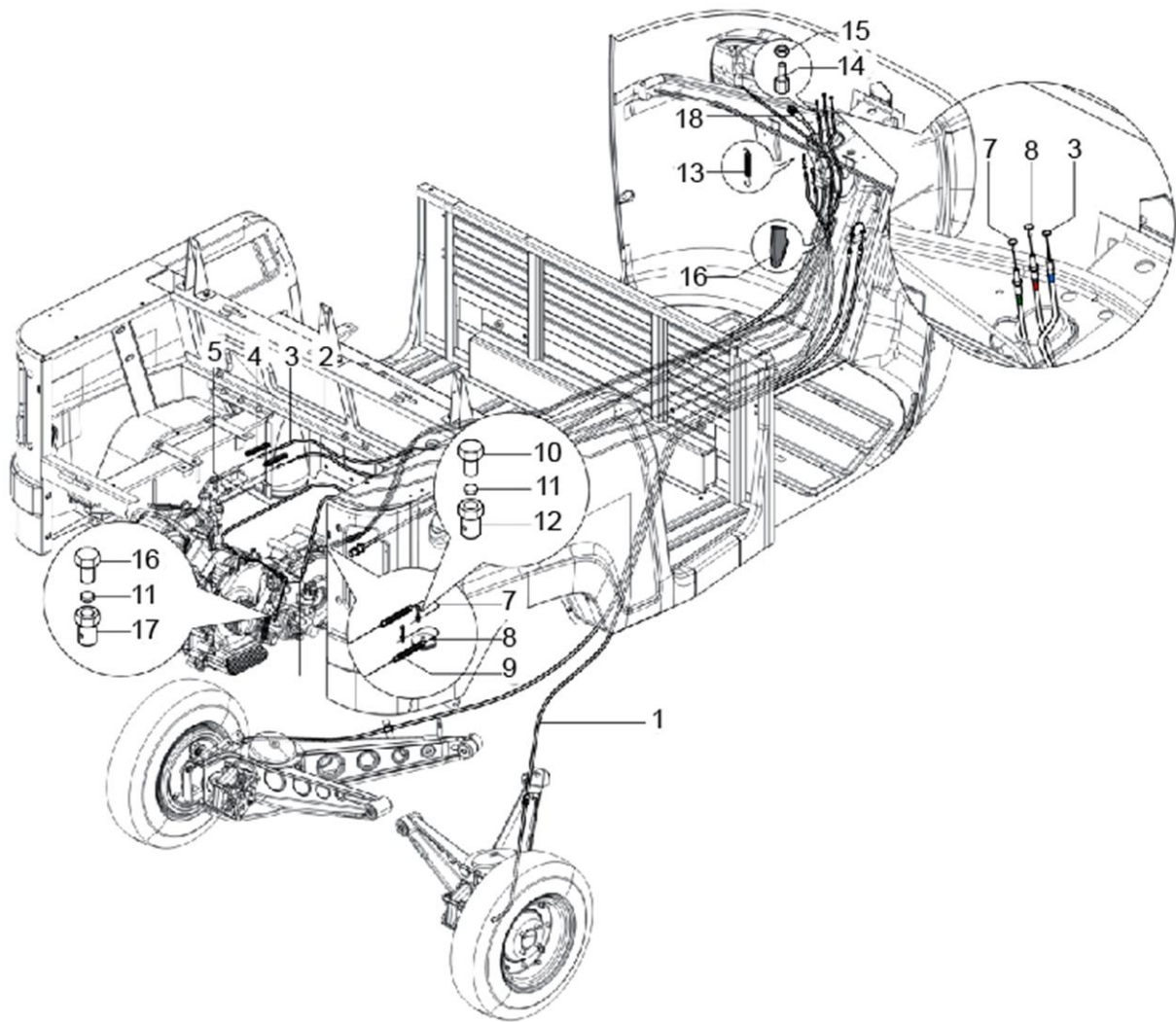


PLATE-40

BRAKING SYSTEM - CABALS

Fig. No.	Part No.	Description	Qty	Remarks
1	B041774	PARKING BRAKE CABLE ASSY	1	
2	B042566	CHOKE CONTROL CABLE ASSY	1	
3	B042356	ACCELERATOR CABLE WITH JONT (NEW)	1	
4	B024774	SLEEVE FOR ACC. AND CHOKE CABLE	2	
5	B073467R	CLUTCH CONTROL TRANSMISION ASSY.	1	
6	587633	CABLE, REVERSE GEAR CONTROL ASSY.	1	
7	B076329	CABLE, GEAR CONTROL ASSLY (BLACK)	1	
8	B076330	CABLE,GEAR CONTROL ASSLY NO.2(WHITE)	1	
9	118806	PROTECTION BELLOW	2	
10	288611	SCREW	2	
12	604560	SCREW TERMINAL ASSY. - GEAR CONTROL	2	
13	B006853	SPRING HANDLE BAR	1	
14	197071	ADJUSTER SCREW M6	2	
15	020106	HEXAGONAL NUT	2	
15	109227	PROTECTION GROMMET	1	
16	158495	SCREW AND NUT	1	
17	604560	SCREW TERMINAL ASSY. - GEAR CONTROL	1	
18	645124	SPEEDO CABLE	1	

PLATE-41
BRAKING SYSTEM

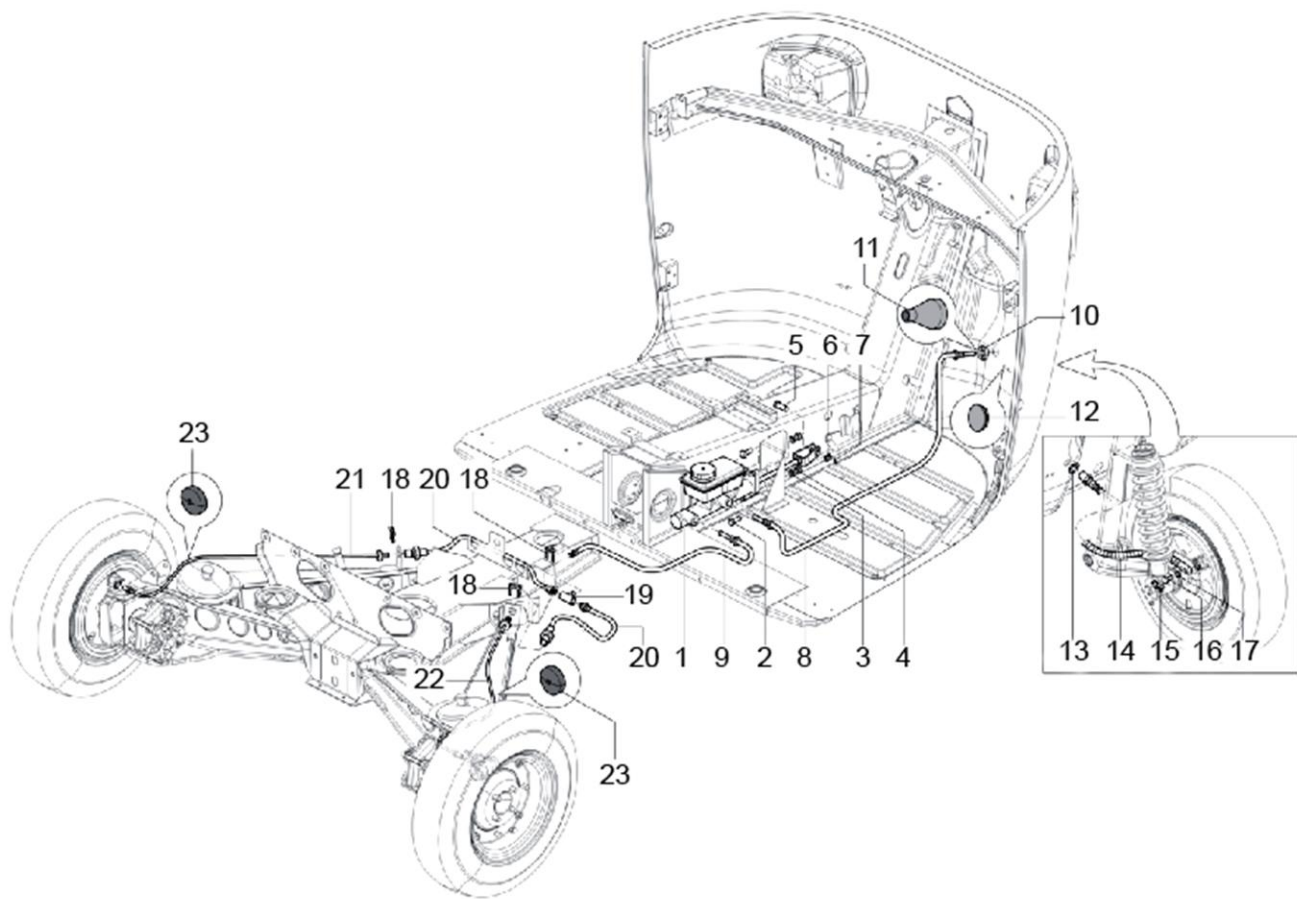


PLATE-41
BRAKING SYSTEM

Fig. No.	Part No.	Description	Qty	Remarks
1	B075485	TMC ASSY.(19.05)	1	
2	31122	HEX HD. SCREW M8X30 CL 8.8	2	
3	016408	SPRING WASHER	2	
4	020108	HEXAGONAL NUT	2	
5	107038	PIN FOR LEVER	1	
6	003058	PLAIN WASHER 15X8.4X1.5	1	
7	567920	SPLIT PIN	1	
8	B075490	BRAKE BUNDY TUBE TMC TO FRONT WHEEL	1	
9	B023786	BRAKE HOSE RR, FLEXIBLE PIPE	1	
10	21216	HEX NUT M16 X 1.5	1	
11	138237	CAP	1	
12	604502	CUP RETAINING SPRING (41733)	1	
13	48197	PL WASHER 24X16X1.5	1	
14	587624R	FLEXIBLE PIPING FOR FRONT WHEEL BRAKE R	1	
15	B003228	LOCK PLATE FRONT BRAKE HOSE	1	
16	587829	BENJO BOLT	1	
17	127927R	PACKING	1	
18	136916	PLATE FOR RETAINING THE BRAKE FLEX. PIPE	3	
19	643692	THREE WAY UNION	1	
20	644814R	FLEXIBLE BRAKE HOSE	2	
21	B041161	BRAKE-PUMP TUBE OF LEFT REAR WHEEL	1	
22	B041160	BRAKE-PUMP TUBE OF RIGHT REAR WHEEL	1	
23	177949	GROMMET FOR BUNTY TUBE	2	

PLATE-42

CONTROL PEDALS - LEVERS

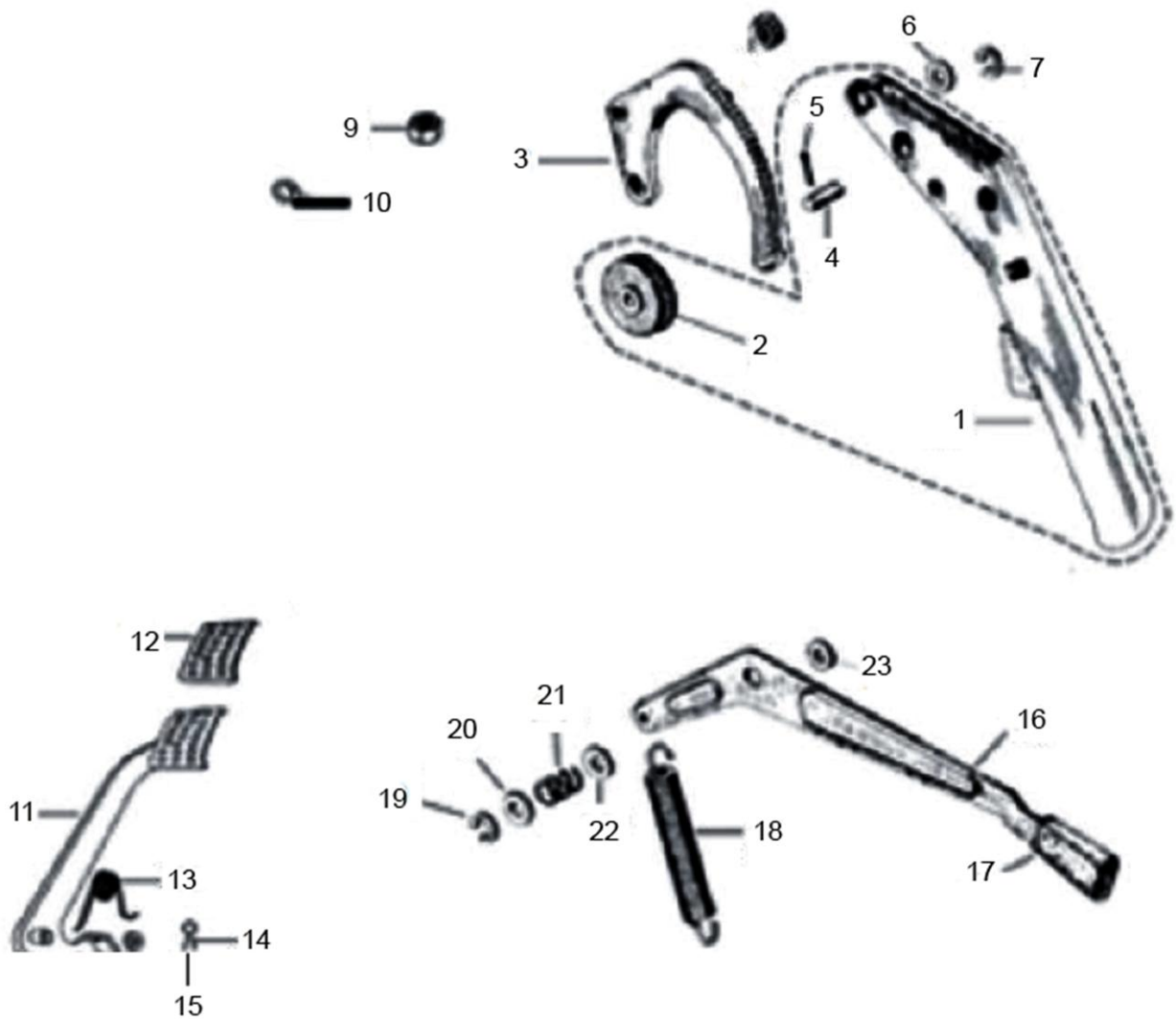


PLATE-42

CONTROL PEDALS - LEVERS

Fig. No.	Part No.	Description	Qty	Remarks
1	B075697	HAND BRAKE CONTROL ASSLY	1	
2	B075475	PULLEY FOR HAND BRAKE	1	
3	B042794	RATCHET , HAND BRAKE CONTROL	1	
4	567899	CLEVIS PIN	1	
5	567920	SPLIT PIN	1	
6	016408	SPRING WASHER	1	
7	006411	EXT CIRCLIP DIA 11	1	
8	020108	HEXAGONAL NUT	1	
9	020106	HEXAGONAL NUT	2	
10	016406	SPRING WASHER	2	
11	B075492	BRAKE PEDAL WITH FOOT REST ASSLY	1	
12	567461	RUBBER PROTECTION FOR PEDAL	1	
13	B073800	TORSIONAL SPRING	1	
14	568737	SPLIT PIN 4 X 25 (821 0425 2 2)	1	
15	229524	WASHER 21X14.3X2	1	
16	125411	BACKING COMMAND LEVER	1	
17	604717	KNOB FOR R.C.	1	
18	567690	REVERSE GEAR COUPLING SPRING	1	
19	005969	CIRCLIP DIA 9 E TYPE	1	
20	006173	METALLIC PLAIN WASHER (808001026)	2	
21	108785	SPRING	1	
22	006173	METALLIC PLAIN WASHER (808001026)	1	
23	016408	SPRING WASHER	1	

PLATE-43

SELECTORS - SWITCHES - BUTTONS

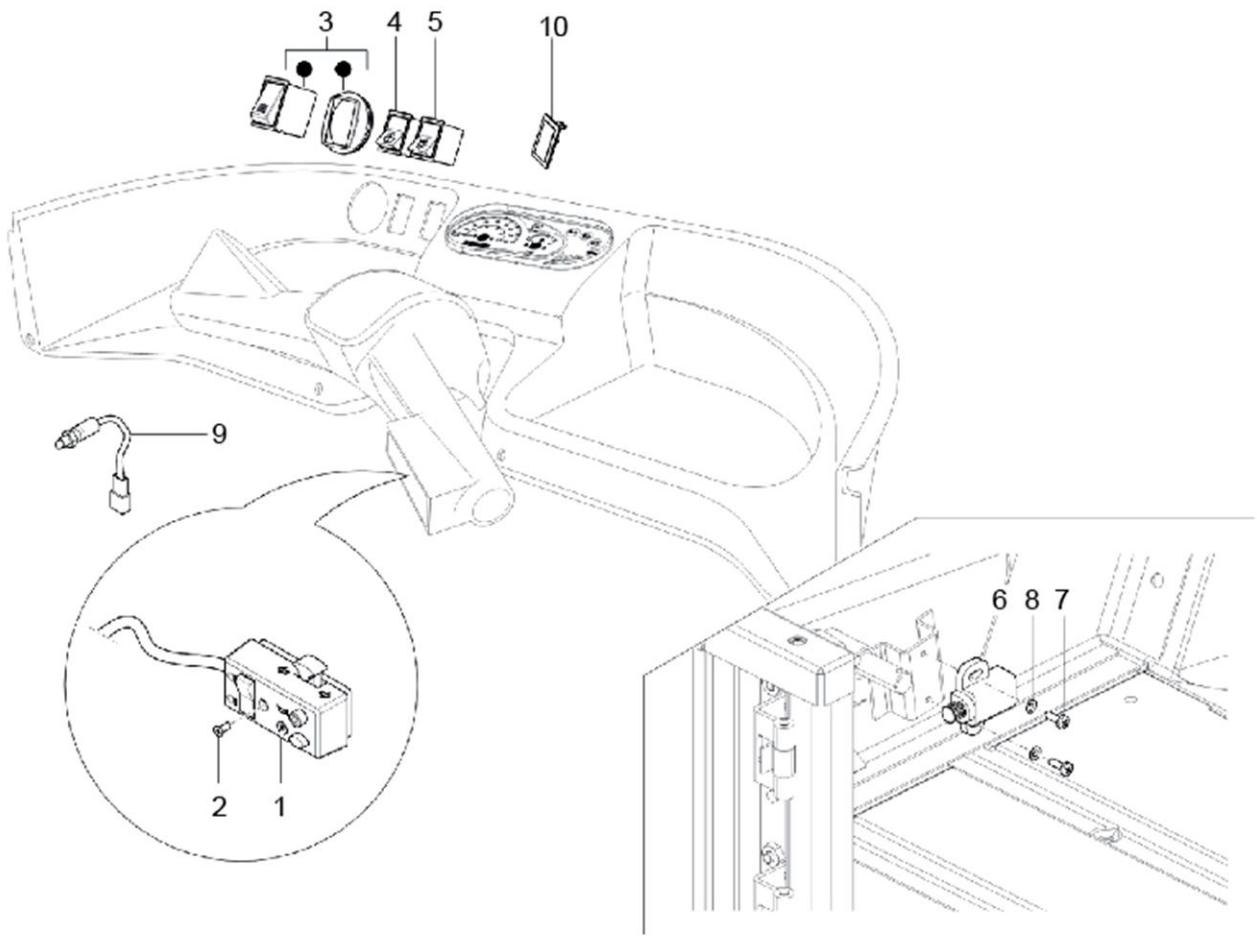


PLATE-43

SELECTORS - SWITCHES - BUTTONS

Fig. No.	Part No.	Description	Qty	Remarks
1	B073850	HANDLE BAR SWITCH	1	
2	15640	SCREW SECURING SWITCH	1	
3	660826R	HAZARD WARNING SWITCH WITH CROWN CAP (12V)(VE)	1	
4	587974R	WIPER MOTOR SWITCH/ SWITCH WIPER MOTOR	1	
5	587670R	SWITCH 3 POSITION	1	
6	567498R	BRAKE/REVERSE LIGHT SW (INTEGRAL CAP)- PAV	1	
7	15996	PHIL RD HD SCREW M4X12	2	
8	003054	PLAIN WASHER	2	
9	B024577	CLUTCH SWITCH	1	
10	568058	COVER	1	

PLATE-44
FRONT HEADLAMPS - TURN SIGNAL LAMPS

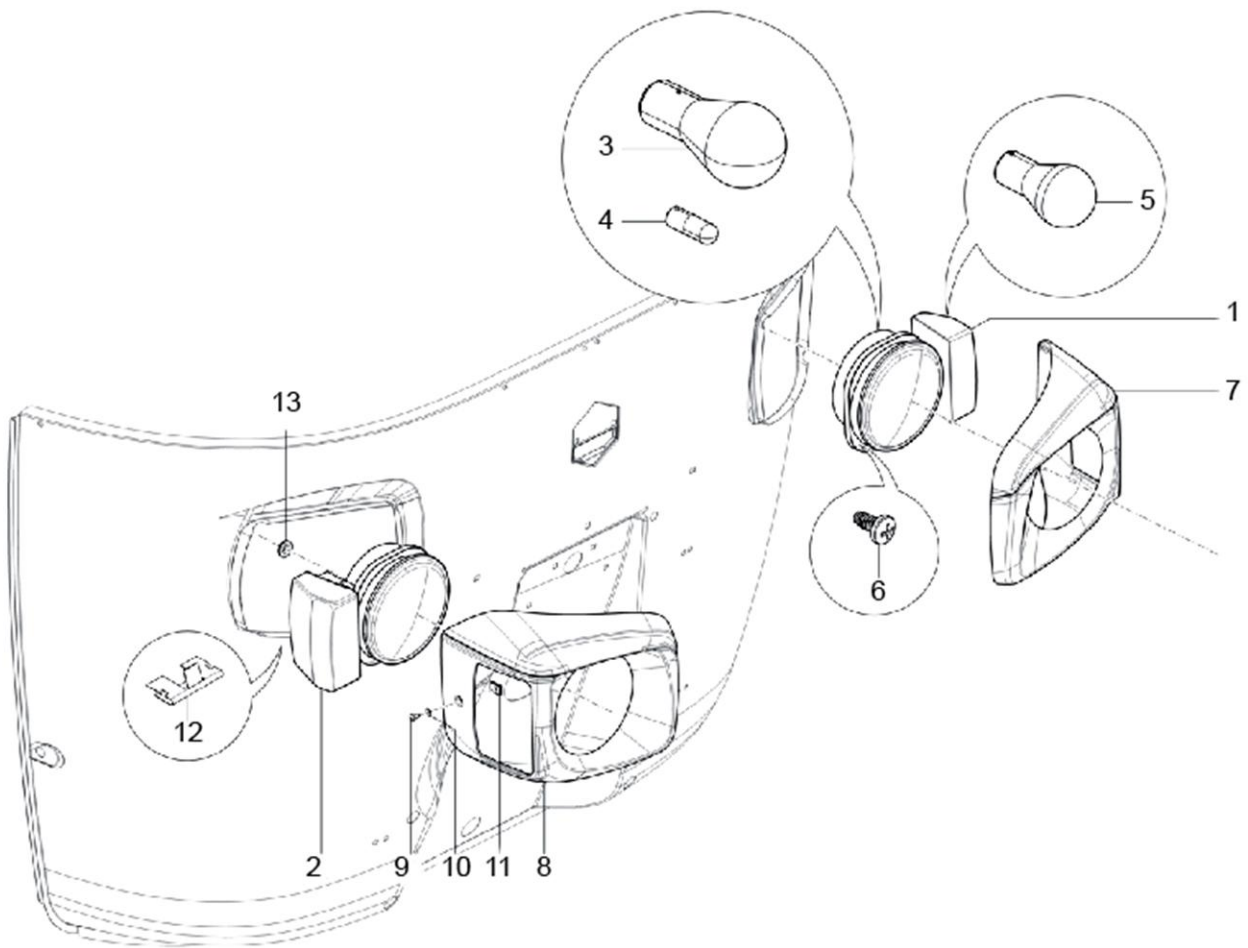


PLATE-44

FRONT HEADLAMPS - TURN SIGNAL LAMPS

Fig. No.	Part No.	Description	Qty	Remarks
1	B023816R	ASSY. HEAD LAMP WITH LATERAL LAMP LH	1	
2	B023817R	ASSY. HEAD LAMP WITH LATERAL LAMP RH	1	
3	219528	BULB 12V 35/35W	2	
4	567593	BULB 12V 5W / LAMP 4W	2	
5	925581	INDICATOR LIGHT BULB 12V 21W AMBER COLOUR	2	
6	008432	SCREW X LEGSHIELD BEADING TIGHTEN. FLAP	6	
7	B025601SL	HEAD LAMP COVER LH-SILVER	1	
8	B025600SL	HEAD LAMP COVER RH-SILVER	1	
9	008455	SCREW/PANSELF TAPPING SCREW	2	
10	008080	SPRING PLATE	2	
11	CM017408	SPRING PLATE	2	
12	119735	PROTECTION SECURING SPRING/SPR. FOR PROTECTION	2	
13	119975	GROMMET	2	

PLATE-45

REAR HEADLAMPS - TURN SIGNAL LAMPS

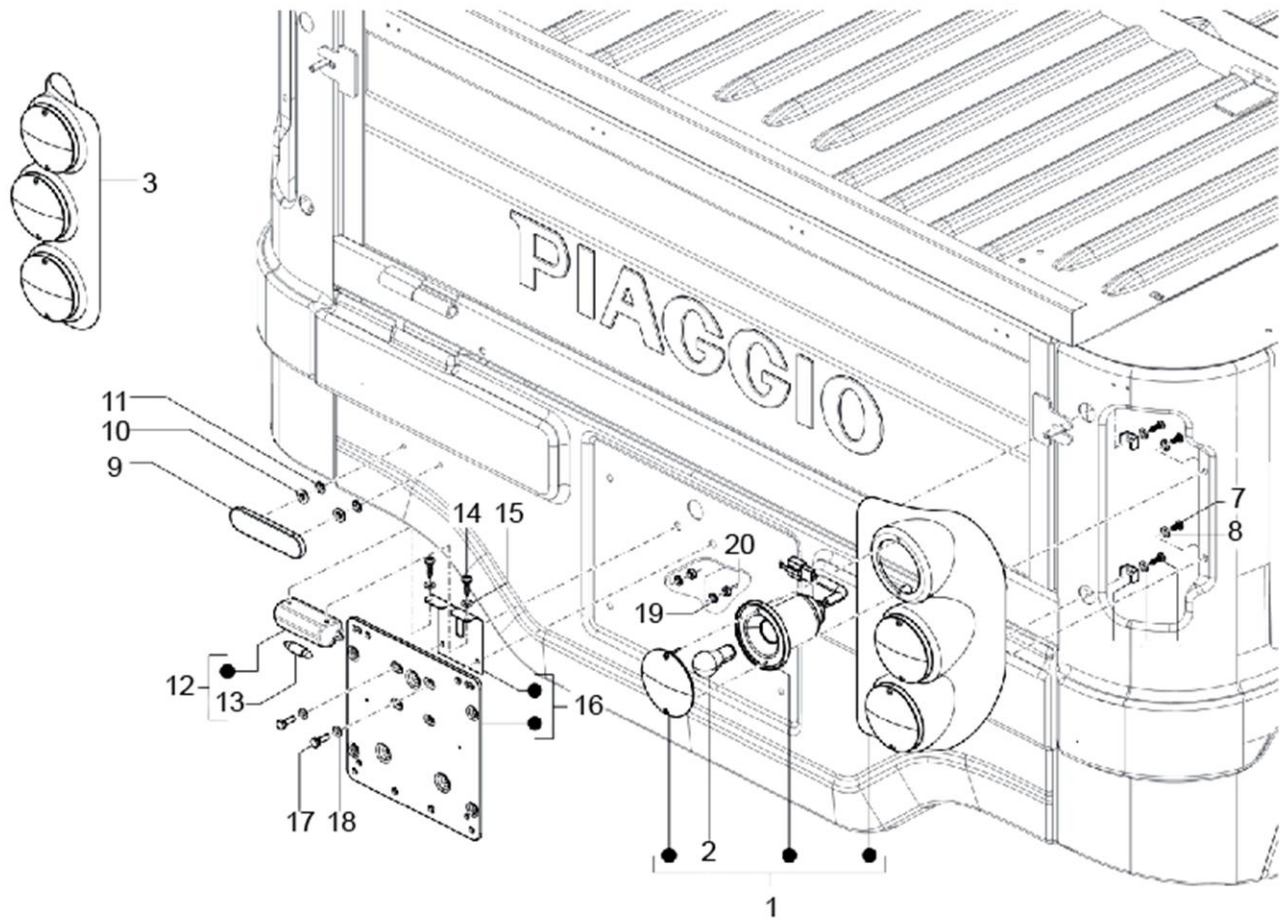


PLATE-45

REAR HEADLAMPS - TURN SIGNAL LAMPS

Fig. No.	Part No.	Description	Qty	Remarks
1	B024642BW	RIGHT REAR LAMPS SUPPORT	1	
1	B024642CB	RIGHT REAR LAMPS SUPPORT	1	
1	B024642WR	RIGHT REAR LAMPS SUPPORT	1	
2	71633	STOP AND PARKING BULB 12V 10/5 W	6	
3	B024643BW	LEFT REAR LAMPS SUPPORT	1	
3	B024643CB	LEFT REAR LAMPS SUPPORT	1	
3	B024643WR	LEFT REAR LAMPS SUPPORT	1	
4	15911	PAN SELF TAP SCREW 8SG X 16 AB	4	
5	003055	RAW WASHER(808000527)	4	
6	605450	REAR LIGHTS CONNECTION PLATE	4	
7	015900	TAPPING CUP HEAD SCREW	4	
8	003055	RAW WASHER(808000527)	4	
9	294519	REFLECTOR	2	
10	180095	PAD	4	
11	181351	PLATE FOR FRONT MUDGUARD REFLECTOR	4	
12	150915R	REGISTRATION PLATE LAMP ASSY	1	E - Marked (Export)
13	71633	STOP AND PARKING BULB 12V 10/5 W	1	
14	008432	SCREW X LEGSHIELD BEADING TIGHTEN. FLAP	2	
15	568721	SPRING WASHER M4	2	
16	643661	LICENSE PLATE MTG. BKT.	1	
17	031058	HEXAGONAL HEAD SCREW (M5X16)	2	
18	003055	RAW WASHER(808000527)	2	
19	16405	SPRING WASHER M5	2	
20	020105	HEXAGONAL NUT	2	

PLATE-46
MAIN CABLE HARNESS

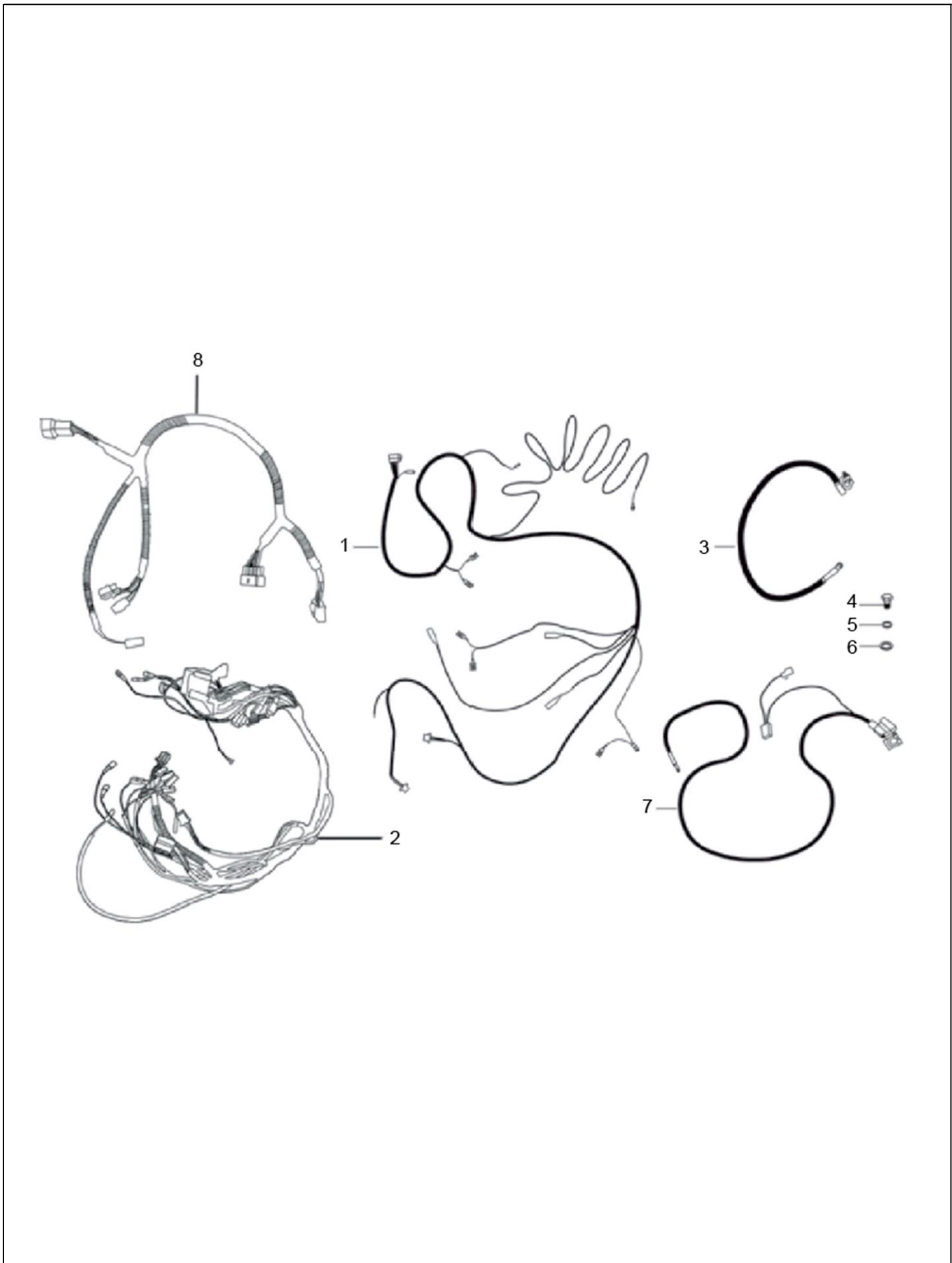


PLATE-46

MAIN CABLE HARNESS

Fig. No.	Part No.	Description	Qty	Remarks
1	B073203	W/HS MAIN_NEUTRAL SW(CITY 200 PETROL)	1	
2	B075333	W/H INST PANEL WITH H/L COUPLER-(CITY P)	1	
3	B042063	BATTERY CABLE NEGATIVE	1	
4	31088	HEX HD SCREW M6 X 16 CL 8.8 (811061623)	1	
5	003056	PLAIN WASHER	1	
6	016406	SPRING WASHER	1	
7	B002183	BATTERY +VE CABLE-CUT STARTER MOTOR (LPG/CNG)	1	
8	B023968	ENGINE WIRING HARNESS (PET) (CNG&LPG)	1	

PLATE-47
ELECTRICAL DEVICES

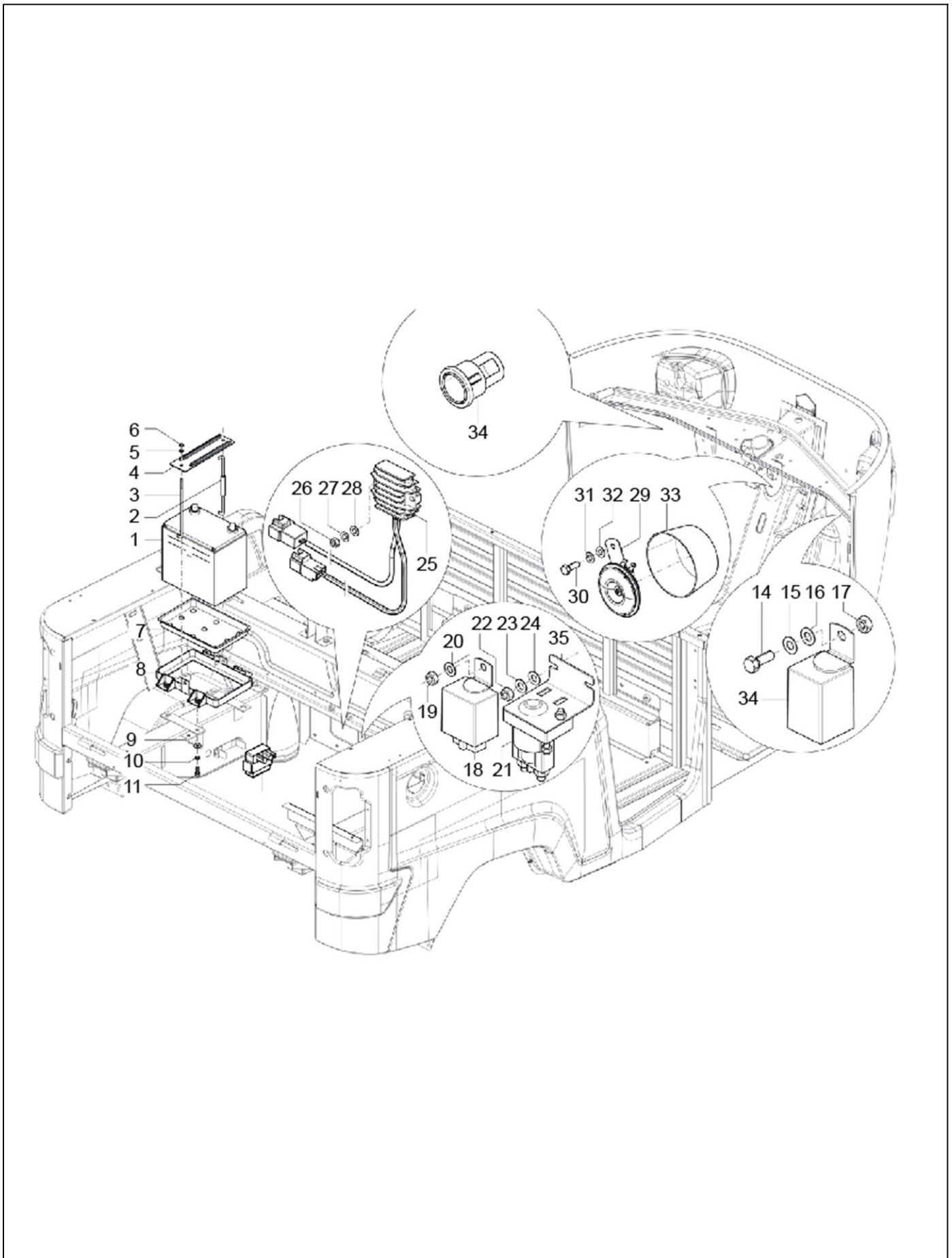


PLATE-47

ELECTRICAL DEVICES

Fig. No.	Part No.	Description	Qty	Remarks
1	B006544	BATTERY 12V-35AH	1	
2	632508	TENSION ROD ASSY. (BATTERY MOUNTING.)	1	
3	604954	TENSION ROD	1	
4	B003978	BATTERY HOLDING PLATE	1	
5	003058	PLAIN WASHER 15X8.4X1.5	1	
6	020108	HEXAGONAL NUT	1	
7	616649	BATTERY TRAY	1	
8	B003978	BATTERY HOLDING PLATE	1	
9	13861	PLAIN WASHER 20X8.2X2.5	4	
10	016408	SPRING WASHER	4	
11	31118	SCREW M8X20	4	
12	1D001781	CONTROL DEVICE IGNITION_PTL	1	
13	B023727R	CONTACTOR	1	
14	31057	HEX HEAD SCREW M5 X 14 CL 8.8	1	
15	12546	PLAIN WASHER / MULTI TOOTH LOCK WASHER M5	1	
16	003055	RAW WASHER(808000527)	1	
17	020105	HEXAGONAL NUT	1	
18	680166	SAFETY STARTER RELAY	1	
19	020105	HEXAGONAL NUT	1	
20	003055	RAW WASHER(808000527)	1	
21	587671R	4 ST RELAY SOLENOID	1	
22	020105	HEXAGONAL NUT	2	
23	16405	SPRING WASHER M5	2	
24	003055	RAW WASHER(808000527)	2	
25	1D000671R	VOLTAGE REGULATOR	1	
26	020106	HEXAGONAL NUT	2	
27	016406	SPRING WASHER	2	
28	020106	HEXAGONAL NUT	2	
29	B041000R	HORN 3 WH _ E MARK	1	
30	31116	HEX HD. SCREW M8X16	1	
31	016408	SPRING WASHER	1	
32	003058	PLAIN WASHER 15X8.4X1.5	1	
33	645041	HORN PROTECTION	1	
34	645153R	MOBILE CHARGER SOCKET	1	
35	568103	MTG BKT ONE WAY FUSE - HOLDER	1	

PLATE-48
FRONT AND REAR WINDSCREEN WIPER

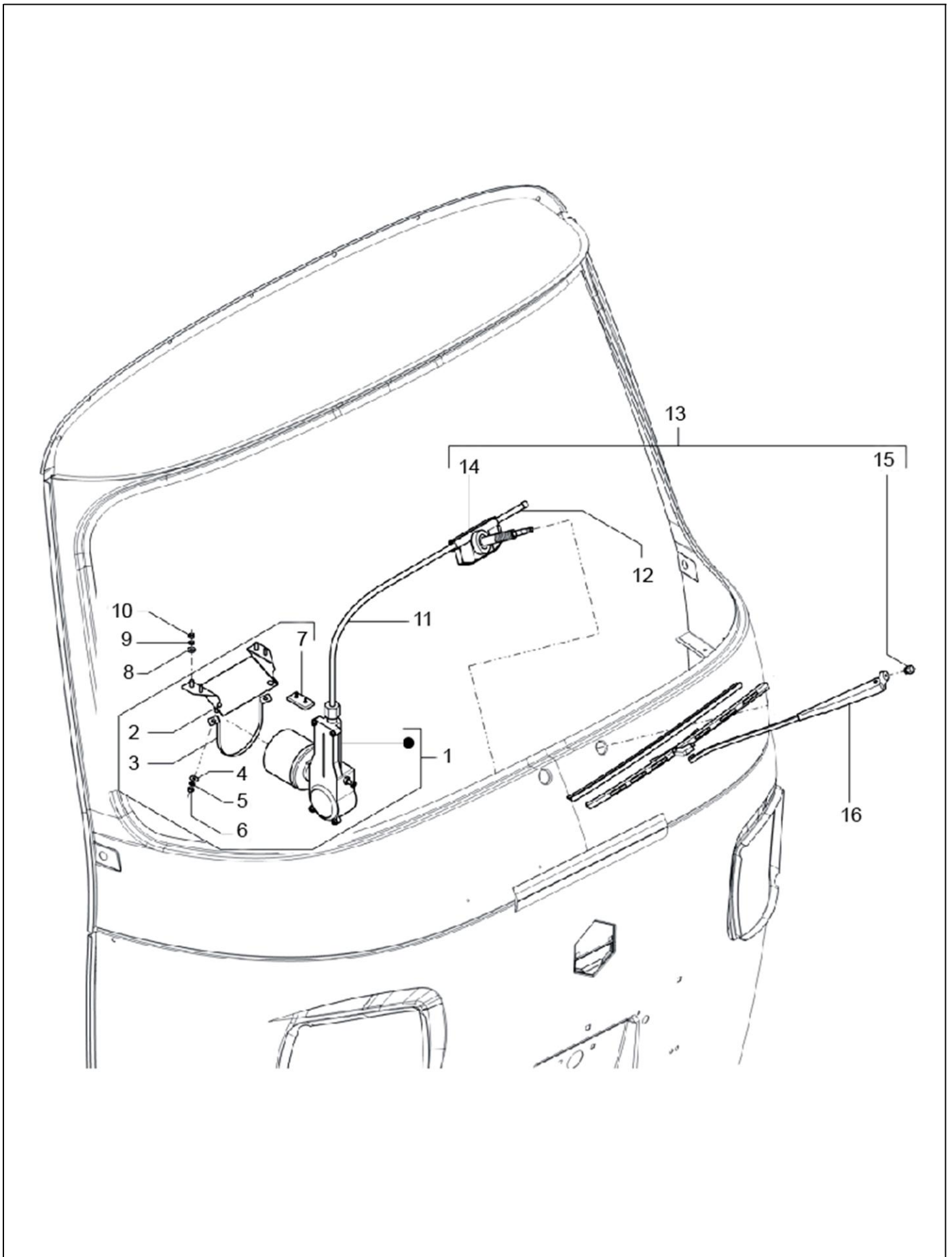


PLATE-48

FRONT AND REAR WINDSCREEN WIPER

Fig. No.	Part No.	Description	Qty	Remarks
1	632995	WIPER MOTOR ASSY. WITH MTG. BKT. (N.I.)	1	
2	569166	WIPER MOTOR MOUNTING BRACKET	1	
3	569177	STRAP ASSY FOR WIPER MOTOR (N.I.)	1	
4	003056	PLAIN WASHER	2	
5	016406	SPRING WASHER	2	
6	020106	HEXAGONAL NUT	2	
7	569178	RUBBER PAD FOR WIPER MOTO (N.I.)	1	
8	003056	PLAIN WASHER	4	
9	016406	SPRING WASHER	4	
10	020106	HEXAGONAL NUT	4	
11	652060	PIPE	1	
12	652445	PIPE	1	
13	569197	WHEEL BOX ASSY. (MOD.)	1	
14	NS	NOT SERVICEABLE	1	
15	569165	DOME NUT	1	
16	652003	WINDSCREEN BRUSH COMPLETE WITH ARM	1	

