

Parts Catalog

Commercial Vehicle

APECITY_XTRA_P_C_L_BSIV_STEPII

PIAGGIO VEHICLES PRIVATE LIMITED

Registered Office: Bund Garden Road ,Opp. Residency Club , Pune (India)

PLATES INDEX

| Sr No. | Plate Name | Plate No. | Page No. |
|--------|---|-----------|----------|
| 1 | ENG.200 4S/3V BSIV APE PAX | 1 | 1-2 |
| 2 | Clutch Cover Assembly | 2 | 3-4 |
| 3 | CLUTCH ASSEMBLY | 3 | 5-6 |
| 4 | Lubrication Components | 4 | 7-8 |
| 5 | Complete Differential Gear | 5 | 9-10 |
| 6 | Differential Gear Group | 6 | 11-12 |
| 7 | Intake Fitting - Carburetor | 7 | 13-16 |
| 8 | Air Filter Assembly | 8 | 17-18 |
| 9 | Complete Crankcase | 9 | 19-22 |
| 10 | Gear Sector Assembly | 10 | 23-24 |
| 11 | Cylinder Head With I.P. | 11 | 25-26 |
| 12 | Crankshaft Assembly | 12 | 27-28 |
| 13 | Aircooling Circuit Components | 13 | 29-30 |
| 14 | Timing Group | 14 | 31-32 |
| 15 | Cylinder- Piston Group | 15 | 33-34 |
| 16 | Electric Starting Group | 16 | 35-36 |
| 17 | Speed Gear Group | 17 | 37-38 |
| 18 | Engine Support | 18 | 39-42 |
| 19 | Fuel Tank/Filter/Fuel Pipes | 19 | 43-44 |
| 20 | Wind Shield/Glass/Beading | 20 | 45-46 |
| 21 | Chassis Frame & Seat | 21 | 47-50 |
| 22 | Doors & Drivers Seat | 22 | 51-54 |
| 23 | Inner Parts Of Cabin | 23 | 55-56 |
| 24 | Rear Suspension | 24 | 57-60 |
| 25 | Steering Column And Front Suspension | 25 | 61-64 |
| 26 | Handle Bar And Control | 26 | 65-66 |
| 27 | Brake -Tandem Master Cylinder ,Brake Pipe And Hand Brakes | 27 | 67-70 |
| 28 | Electrical Devices | 28 | 71-76 |
| 29 | Front Fascia | 29 | 77-80 |
| 30 | Open Box Body (Pick UP) | 30 | 81-84 |

PLATES INDEX

| Sr No. | Plate Name | Plate No. | Page No. |
|--------|----------------------------|-----------|----------|
| 31 | Wiring Harness | 31 | 85-86 |
| 32 | Front Brake Assembly | 32 | 87-88 |
| 33 | Rear Brake Assembly | 33 | 89-90 |
| 34 | Cables | 34 | 91-92 |
| 35 | CNG Kit | 35 | 93-94 |
| 36 | Two Stage CNG Regulator | 36 | 95-96 |
| 37 | First Stage Reduction Unit | 37 | 97-98 |
| 38 | LPG Kit | 38 | 99-100 |
| 39 | Two Stage LPG Regulator | 39 | 101-102 |
| 40 | Tools And Accessories | 40 | 103-106 |

PICTORIAL PLATES INDEX

PLATE-1 ENG.200 4S/3V BSIV APE PAX

Page No. :1-2

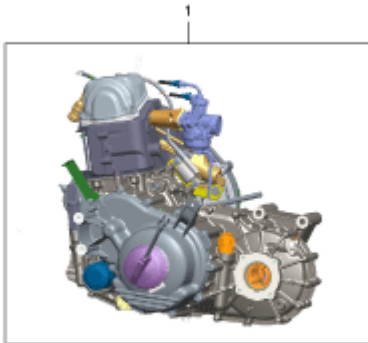


PLATE-2 Clutch Cover Assembly

Page No. :3-4

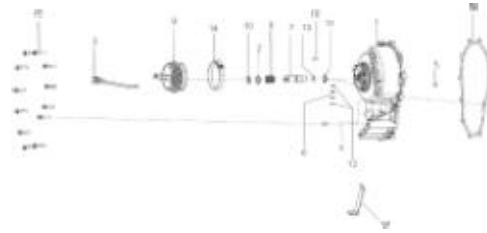


PLATE-3 CLUTCH ASSEMBLY

Page No. :5-6

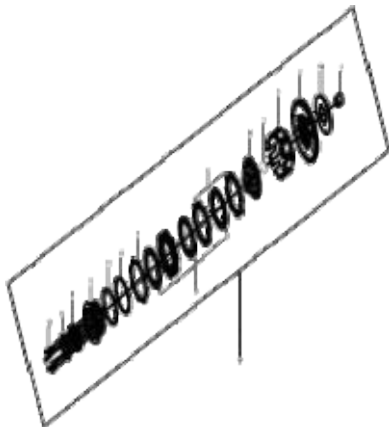


PLATE-4 Lubrication Components

Page No. :7-8

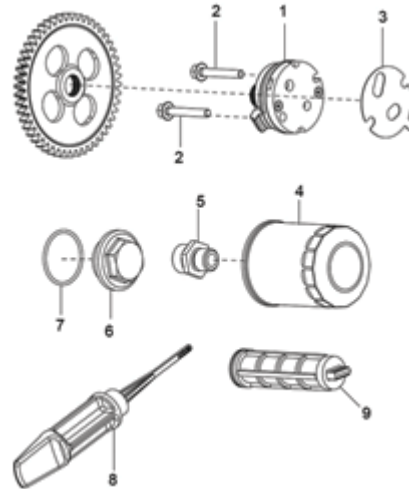
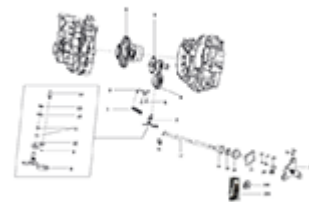


PLATE-5 Complete Differential Gear

Page No. :9-10

PLATE-6 Differential Gear Group

Page No. :11-12



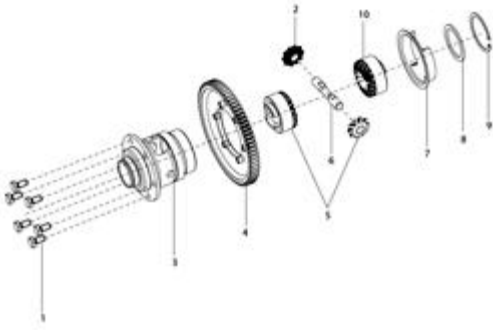


PLATE-7 Intake Fitting - Carburetor

Page No. :13-16

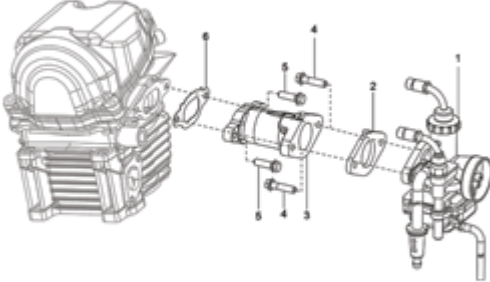
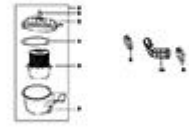


PLATE-8 Air Filter Assembly

Page No. :17-18



PICTORIAL PLATES INDEX

PLATE-9 Complete Crankcase

Page No. :19-22

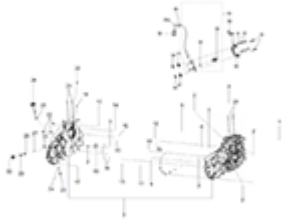


PLATE-10 Gear Sector Assembly

Page No. :23-24

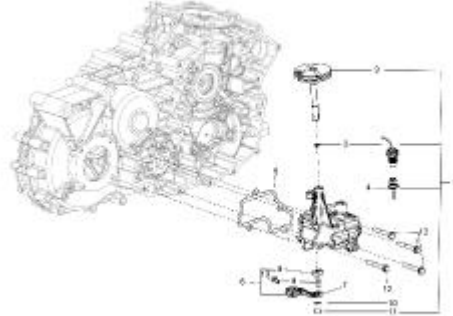


PLATE-11 Cylinder Head With I.P.

Page No. :25-26

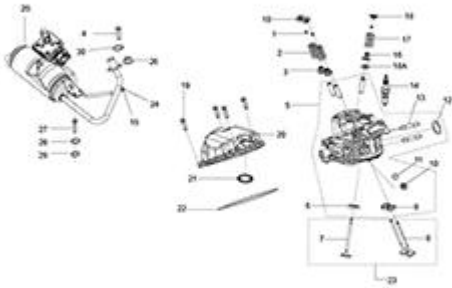


PLATE-12 Crankshaft Assembly

Page No. :27-28

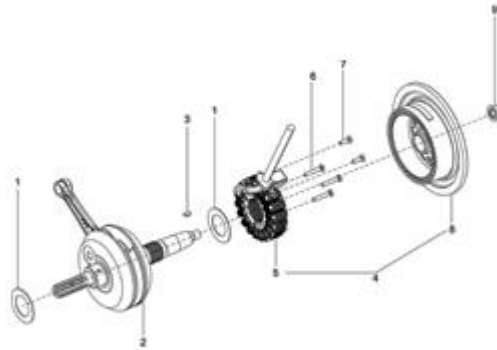


PLATE-13 Aircooling Circuit Components

Page No. :29-30

PLATE-14 Timing Group

Page No. :31-32

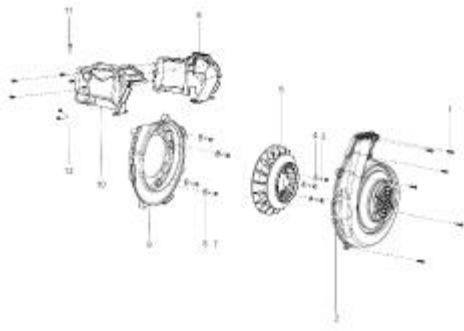


PLATE-15 Cylinder- Piston Group

Page No. :33-34

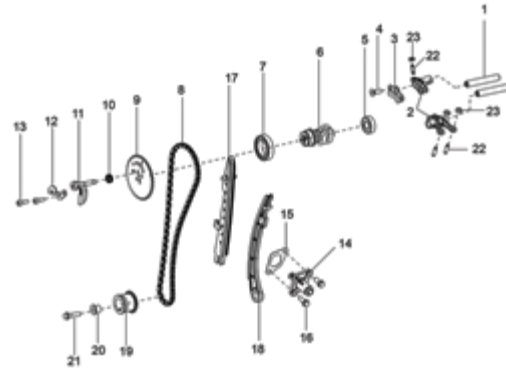
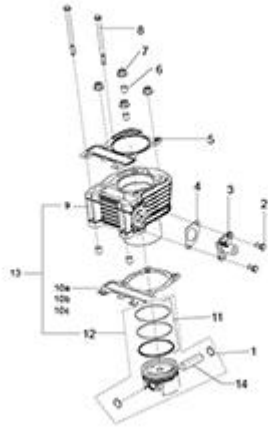
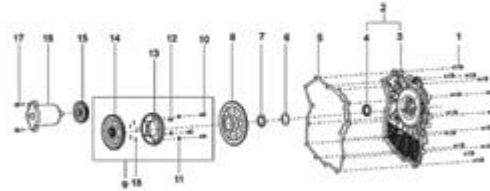

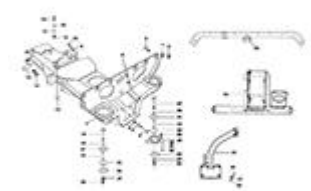
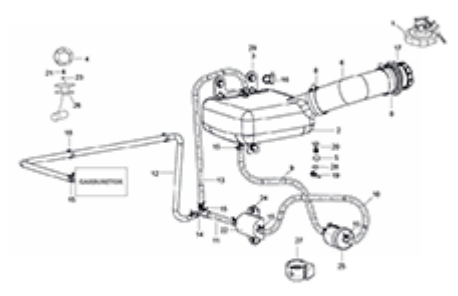
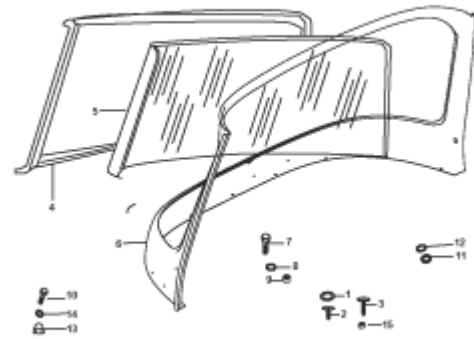

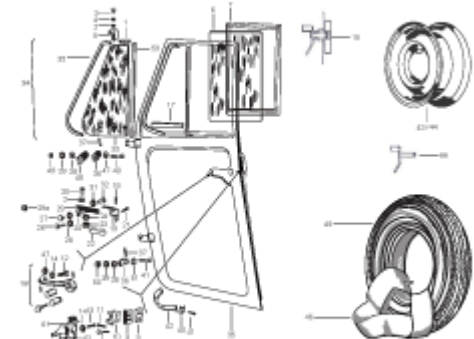


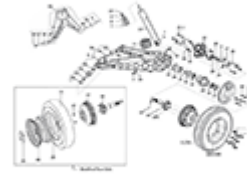
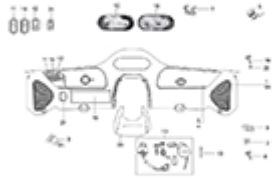
PLATE-16 Electric Starting Group

Page No. :35-36



PICTORIAL PLATES INDEX

| | |
|--|---|
| <p>PLATE-17 Speed Gear Group</p> <p>Page No. :37-38</p>  | <p>PLATE-18 Engine Support</p> <p>Page No. :39-42</p>  |
| <p>PLATE-19 Fuel Tank/Filter/Fuel Pipes</p> <p>Page No. :43-44</p>  | <p>PLATE-20 Wind Shield/Glass/Beading</p> <p>Page No. :45-46</p>  |
| <p>PLATE-21 Chassis Frame & Seat</p> <p>Page No. :47-50</p>  | <p>PLATE-22 Doors & Drivers Seat</p> <p>Page No. :51-54</p>  |
| <p>PLATE-23 Inner Parts Of Cabin</p> | <p>PLATE-24 Rear Suspension</p> |



PICTORIAL PLATES INDEX

PLATE-25 Steering Column And Front Suspension

Page No. :61-64

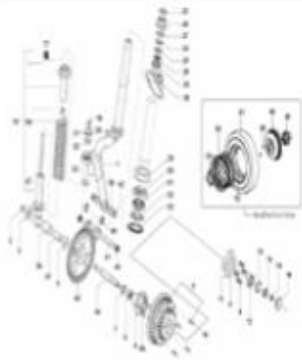


PLATE-26 Handle Bar And Control

Page No. :65-66

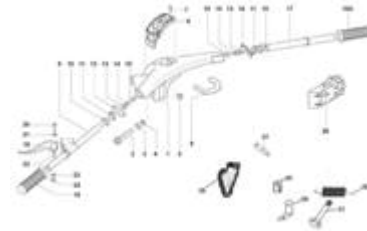


PLATE-27 Brake -Tandem Master Cylinder ,Brake Pipe And Hand Brakes

Page No. :67-70

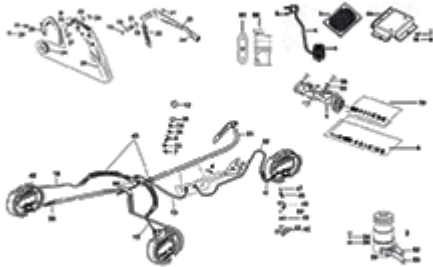


PLATE-28 Electrical Devices

Page No. :71-76

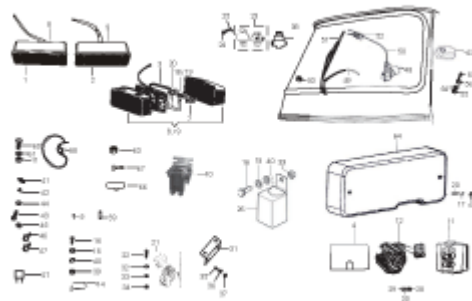


PLATE-29 Front Fascia

Page No. :77-80

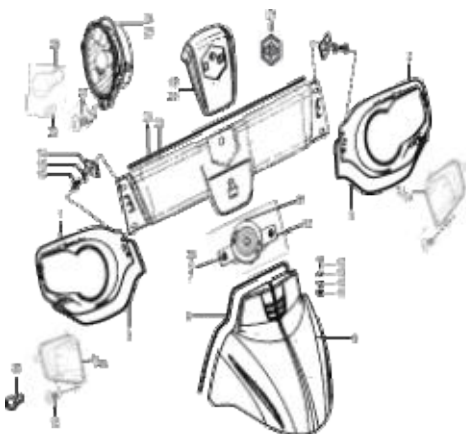


PLATE-30 Open Box Body (Pick UP)

Page No. :81-84

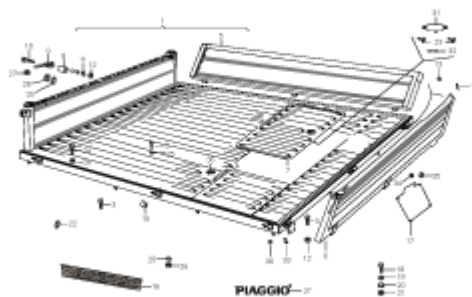
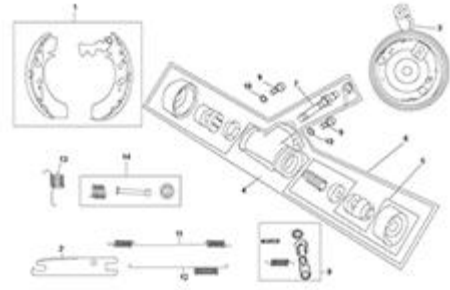
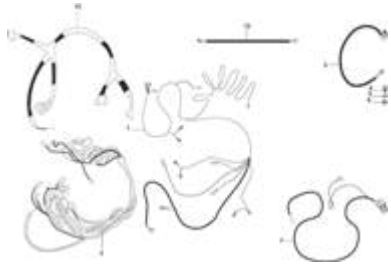


PLATE-31 Wiring Harness

PLATE-32 Front Brake Assembly



PICTORIAL PLATES INDEX

PLATE-33 Rear Brake Assembly

Page No. :89-90

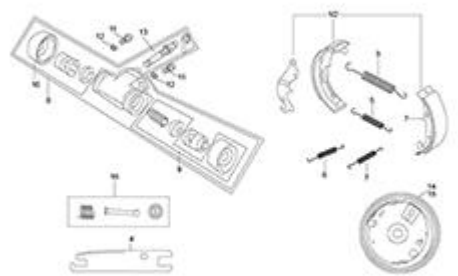


PLATE-34 Cables

Page No. :91-92




PLATE-35 CNG Kit

Page No. :93-94

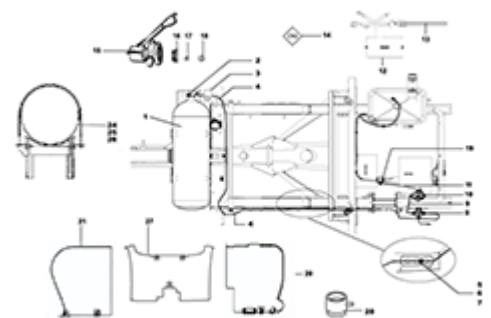


PLATE-36 Two Stage CNG Regulator

Page No. :95-96




PLATE-37 First Stage Reduction Unit

Page No. :97-98




PLATE-38 LPG Kit

Page No. :99-100

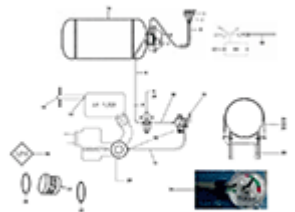


PLATE-39 Two Stage LPG Regulator

PLATE-40 Tools And Accessories

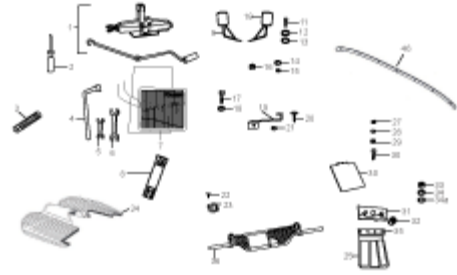
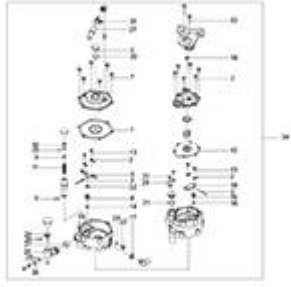


PLATE-1

ENG.200 4S/3V BSIV APE PAX

1



PLATE-1

ENG.200 4S/3V BSIV APE PAX

| Fig. No. | Part No. | Description | Qty | Remarks |
|----------|----------|---------------------------------------|-----|-----------------------|
| 1 | CM283908 | ENG.200 4S/3V BSIV APE PAX PETROL | 1 | PTL |
| 2 | CM283909 | ENG.200 4S/3V BSIV APE PAX LPG | 1 | LPG |
| 3 | CM283910 | ENG.200 4S/3V BSIV APE PAX CNG | 1 | CNG |
| 4 | CM283924 | ENG.200 4S/3V BSIV APE PAX PETROL LAM | 1 | STEP-2 BS3 HS LAM PTL |

PLATE-2
Clutch Cover Assembly

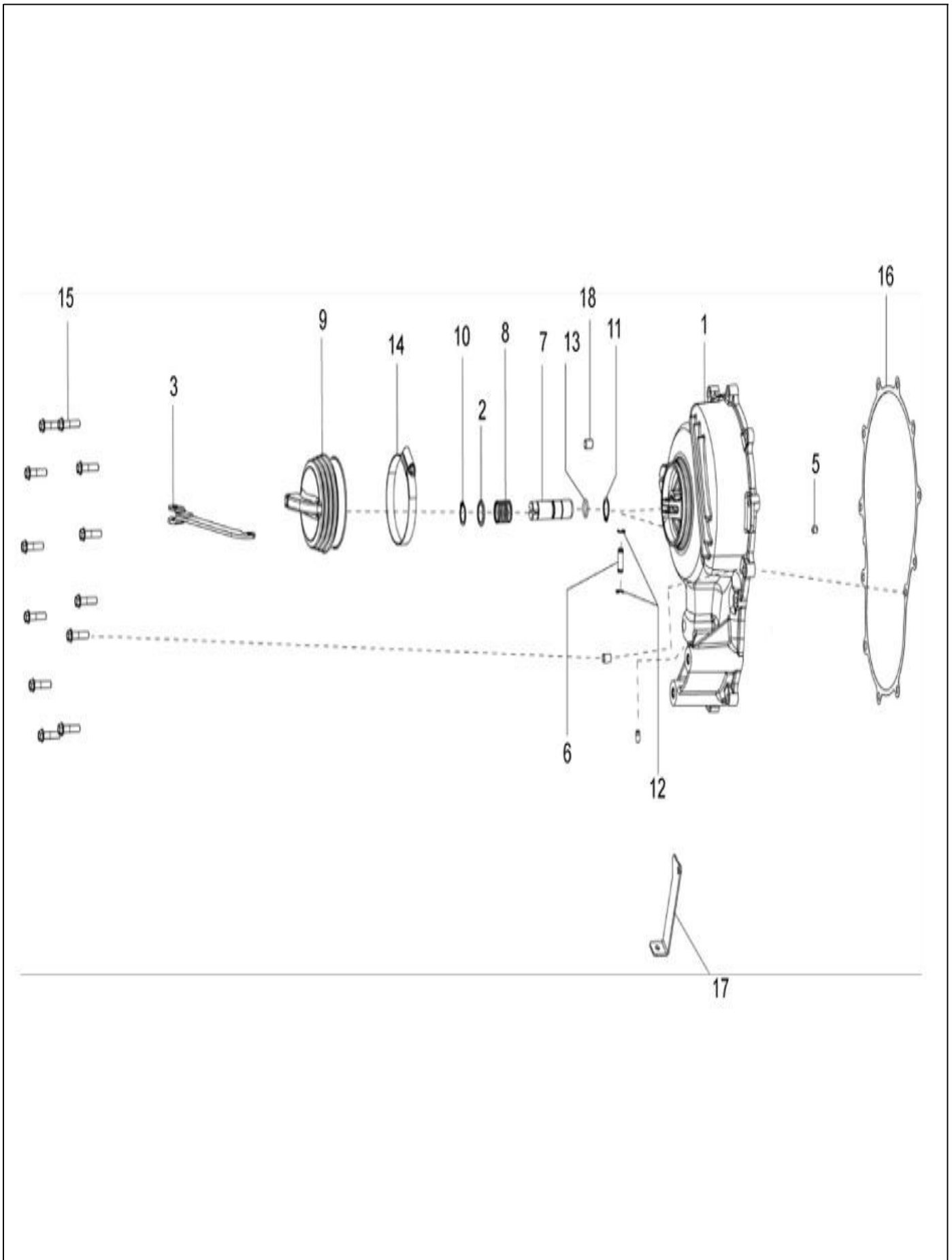


PLATE-2

Clutch Cover Assembly

| Fig. No. | Part No. | Description | Qty | Remarks |
|----------|-----------|-------------------------------------|-----|---------|
| 1 | 1A010136 | CLUTCH COVER | 1 | |
| 2 | 120164019 | RETAINING PLATE | 1 | |
| 3 | 127460010 | LINK ASSLY - CLUTCH (IMPROVED) | 1 | |
| 6 | 127013013 | PIN CLUTCH | 1 | |
| 7 | 1A010548 | PLUNGER SHAFT | 1 | |
| 8 | 127185012 | SPRING - CLUTCH COVER | 1 | |
| 9 | 127012019 | BELLOW CLUTCH ACTUATING | 1 | |
| 10 | 842001600 | CIRCLIP DIA.16(EXT) | 1 | |
| 11 | 842001600 | CIRCLIP DIA.16(EXT) | 1 | |
| 12 | 843000809 | CIRCLIP DIA.8(EXT) TYPE C | 2 | |
| 13 | B019220 | O- RING (PLUNGER SHAFT) | 1 | |
| 14 | 120170018 | HOSE CLIP - CLUTCH COVER BELOW | 1 | |
| 15 | B018853 | FLANGED HEXAGONAL HEAD SCREW M6X30 | 12 | |
| 16 | 1A012334 | CLUTCH COVER GASKET | 1 | |
| 17 | 1A008077 | SUPPORT BRACKET STARTER MOTOR CABLE | 1 | |
| 18 | 1A000708 | DOWEL (Ø7,5, H=12) | 2 | |

PLATE-3
CLUTCH ASSEMBLY

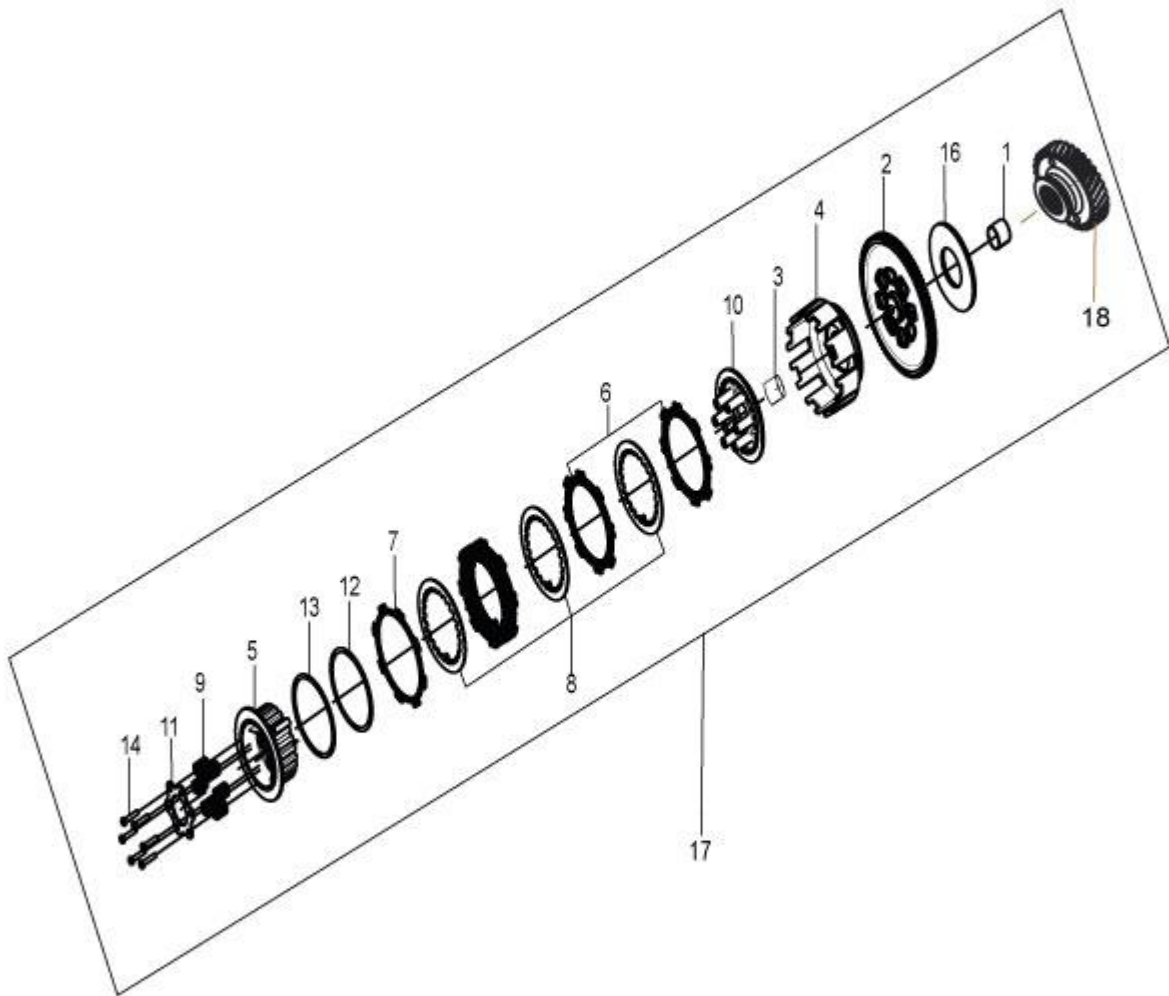


PLATE-3
CLUTCH ASSEMBLY

| Fig. No. | Part No. | Description | Qty | Remarks |
|----------|----------|-------------------------------|-----|-----------------|
| 1 | 1A010461 | SPACER | 1 | |
| 2 | --- | CLUTCH GEAR | 1 | Not Serviceable |
| 3 | 1A010561 | CLUTCH PRESSURE BUSH | 1 | |
| 4 | 1A012150 | HOUSING CLUTCH ASSY | 1 | |
| 5 | 1A012152 | HUB CLUTCH | 1 | |
| 6 | 1A012153 | FRICTION PLATE | 6 | |
| 7 | 1A012154 | RED FRICTION PLATE | 1 | |
| 8 | 1A012155 | PLATE CLUTCH | 6 | |
| 9 | 1A012156 | COMPRESSION SPRING | 6 | |
| 10 | 1A012157 | WHEEL CLUTCH | 1 | |
| 11 | 1A012158 | HOLDER CLUTCH | 1 | |
| 12 | 1A012159 | ANTI-JUDDER SPRING | 1 | |
| 13 | 1A012160 | ANTI-JUDDER WASHER | 1 | |
| 14 | 1A012161 | BOLT M5 | 6 | |
| 15 | 1A012151 | PLATE CLUTCH ASSY | 1 | |
| 16 | B019420 | CONICAL SPRING KNURLED WASHER | 3 | |
| 17 | 1A010119 | CLUTCH ASSY | 1 | |
| 18 | 1A010208 | ENGINE GEAR | 1 | |

PLATE-4

Lubrication Components

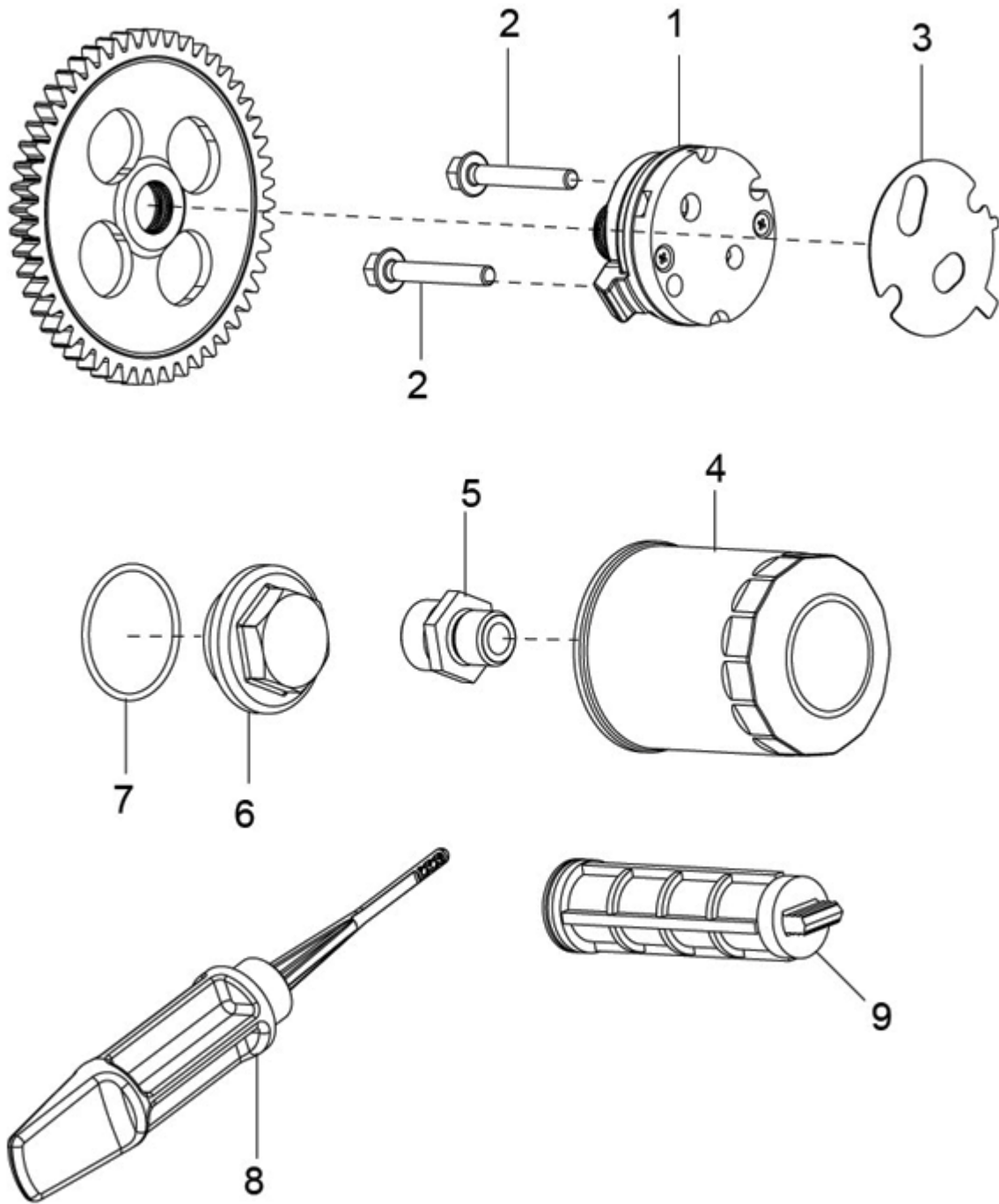


PLATE-4

Lubrication Components

| Fig. No. | Part No. | Description | Qty | Remarks |
|----------|----------|------------------------------|-----|---------|
| 1 | 1A006877 | OIL PUMP ASSY | 1 | |
| 2 | 829593 | FLANGED HEXAGONAL HEAD SCREW | 2 | |
| 3 | B015943 | CRANKCASE/ OIL PUMP GASKET | 1 | |
| 4 | 82635R | COMPLETE OIL FILTER | 1 | |
| 5 | 1A009762 | OIL FILTER SCREW | 1 | |
| 6 | B015598 | OIL FILTER PLUG | 1 | |
| 7 | 285536 | O-RING GASKET 31.47X1.78 | 1 | |
| 8 | 1A007047 | OIL DIPSTICK COMPLETE | 1 | |
| 9 | 1A006812 | COMPLETE INTAKE OIL FILTER | 1 | |

PLATE-5

Complete Differential Gear

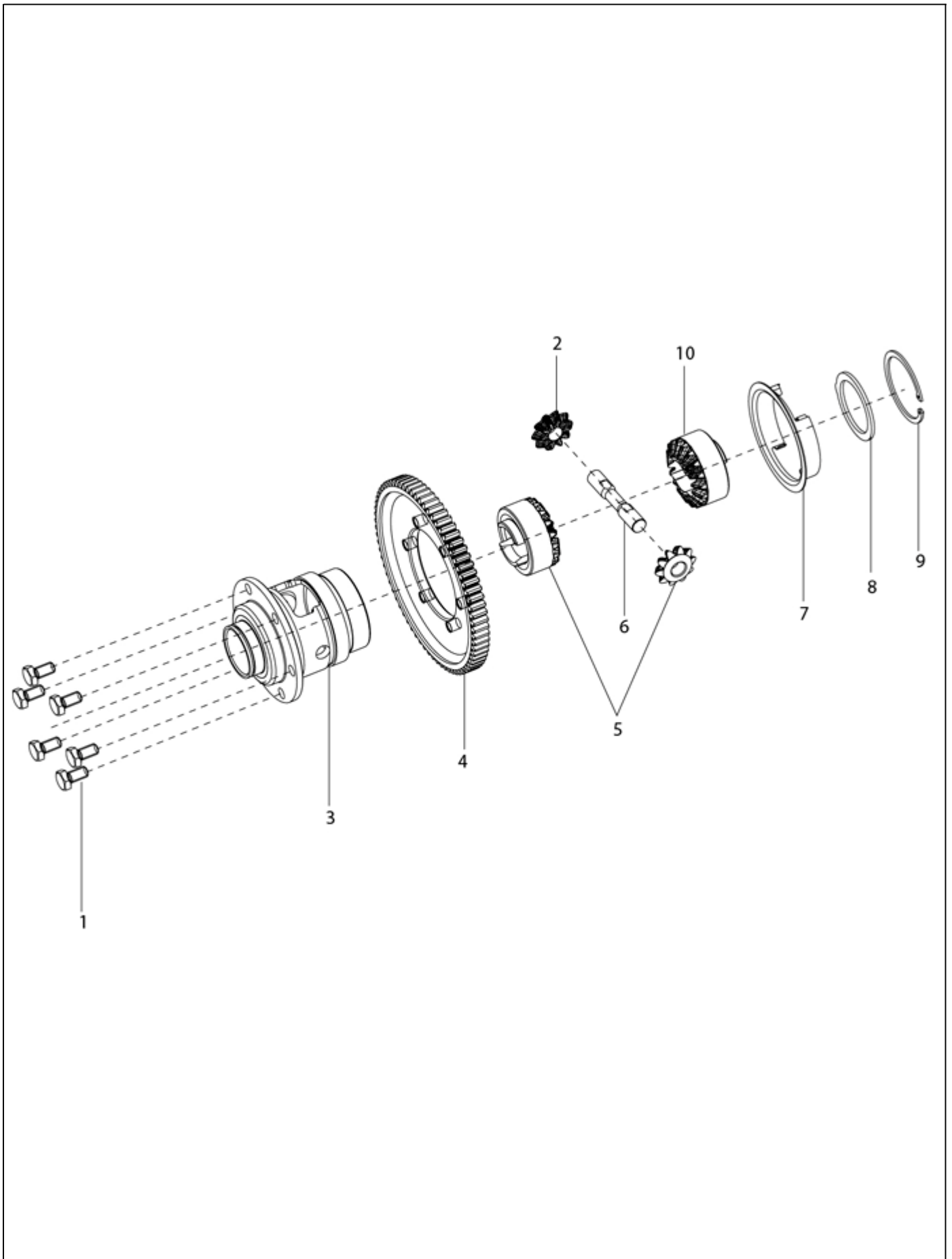


PLATE-5

Complete Differential Gear

| Fig. No. | Part No. | Description | Qty | Remarks |
|----------|------------|--------------------------------|-----|--------------------------|
| 1 | B016774 | FLANGED HEXAGONAL SCREW M6X25 | 6 | |
| 2 | 132136R | GEAR SUN | 3 | |
| 3 | 288730 | DIFFERENTIAL CAGE | 1 | |
| 4 | SP1A006805 | DIFFERENTIAL CROWN-PETROL/LPG | 1 | PTL/LPG |
| 4 | SP1A008545 | DIFFERENTIAL CROWN-CNG | 1 | |
| 5 | 940028 | GEAR SUN AND DIFFERENTIAL GEAR | 1 | |
| 6 | 132129 | PIN | 1 | |
| 7 | 132244 | STOPPER THK=1.0 | 1 | |
| 8 | 220575 | WASHER 65X3 | 1 | |
| 9 | 132134 | CIRCLIP | 2 | |
| 10 | 940028 | GEAR SUN AND DIFFERENTIAL GEAR | 2 | |
| 11 | CM308302 | DIFFERENTIAL CROWN | 1 | STEP-2 BS3 HS LAM PTL,NI |
| 12 | 1A008547 | REVERSE GEAR- CNG | 1 | STEP-2 BS3 HS LAM PTL,NI |
| 13 | 1A010632 | SLIDING GEAR | 1 | STEP-2 BS3 HS LAM PTL,NI |

PLATE-6
Differential Gear Group

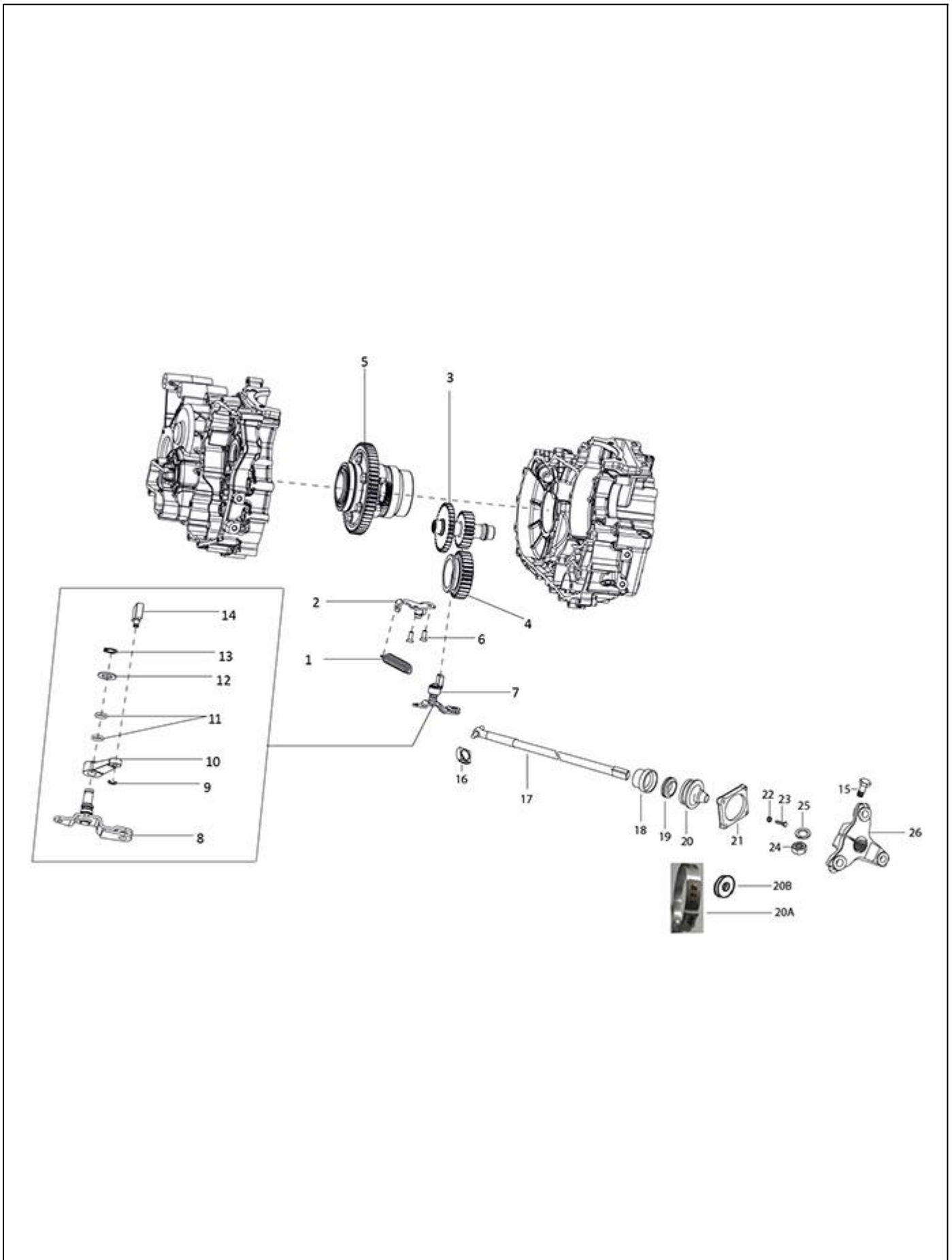


PLATE-6

Differential Gear Group

| Fig. No. | Part No. | Description | Qty | Remarks |
|----------|------------|---------------------------------|-----|------------------|
| 1 | 127111011 | REVERSE GEAR SPRING | 1 | |
| 2 | 1A008804 | REVERSE CABLE REACTION BRACKET | 1 | |
| 3 | 1A006806 | REVERSE GEAR -PTL/LPG | 1 | |
| 3 | 1A008547 | REVERSE GEAR- CNG | 1 | LAM/HS (PTL&LPG) |
| 4 | 1A009779 | SLIDING GEAR(PTL AND LPG) | 1 | PTL/LPG |
| 4 | 1A010632 | SLIDING GEAR | 1 | LAM/HS (PTL&LPG) |
| 5 | SP1A006804 | COMPLETE DIFFERENTIAL GEAR | 1 | PTL/LPG |
| 5 | CM308402 | COMPLETE DIFFERENTIAL GEAR | 1 | LAM/HS (PTL&LPG) |
| 6 | 1A016964 | CSK PHILIPS HEAD SCREW | 2 | |
| 7 | SP1A012040 | COMPLETE LEVER-SPD | 1 | |
| 8 | 1A009093 | INVERTER LEVER SECTOR WITH P.I. | 1 | |
| 9 | 843000500 | CIRCLIP DIA.5 (EXT) TYPE C | 1 | |
| 10 | 1A007605 | GEAR SHIFTER LEVER | 1 | |
| 11 | 1A005176 | O- RING | 2 | |
| 12 | 1A007501 | PLANE WASHER | 1 | |
| 13 | 6410 | CIRCLIP | 1 | |
| 14 | 1A007051 | SLIDER | 1 | |
| 15 | B024614 | HEX HEAD BOLT M10X45 CL 10.9 | 2 | |
| 16 | 112867R | SLIDER BLOCK PROP. SHAFT | 4 | |
| 17 | B023940 | PROP. SHAFT S/A | 2 | |
| 18 | 113278 | BRACKET RETAINER RING (41736) | 2 | |
| 19 | 431044 | RING | 2 | |
| 20 | 6C000016 | BELLOW | 2 | |
| 20A | 6C000041 | OTIKAR CLAMP FOR BELLOW | 2 | |
| 20B | 3056 | PLAIN WASHER | 6 | |
| 21 | 111356 | COVER | 2 | |
| 22 | 16406 | SPRING WASHER | 2 | |
| 23 | 31092 | HEX. HD SCREW M6X25 | 2 | |
| 24 | 231370 | SELF BREAKING NUT M10 | 2 | |
| 25 | 16410 | SPRING WASHER | 2 | |
| 26 | 111498 | ELASTIC HUB | 2 | |

PLATE-7

Intake Fitting - Carburetor

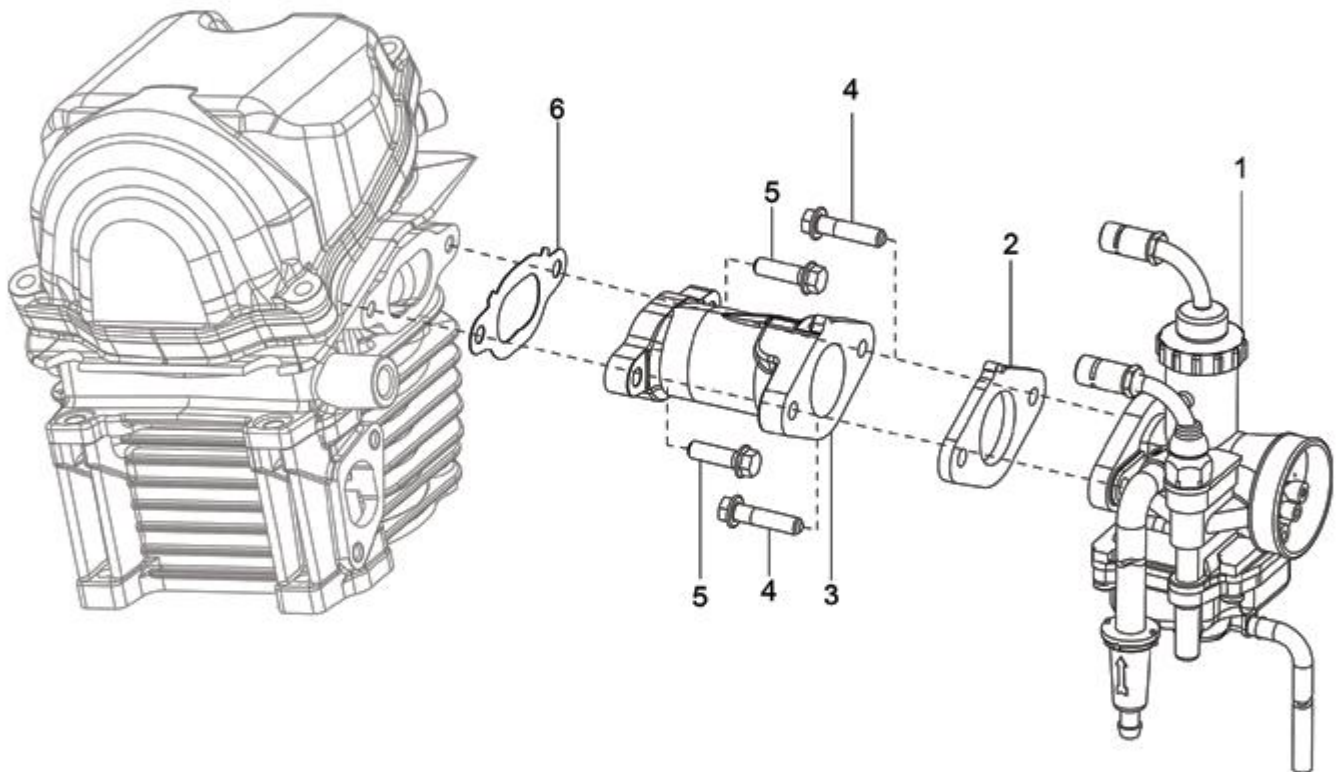


PLATE-7

Intake Fitting - Carburetor

| Fig. No. | Part No. | Description | Qty | Remarks |
|----------|----------|-----------------------------------|-----|------------|
| 1 | CM284101 | CARBURETTOR UVD 22-PETROL | 1 | PTL |
| 1 | CM166102 | CARBURETOR UVD 22-LPG | 1 | LPG |
| 1 | CM166103 | CARBURETOR UVD 22-CNG | 1 | CNG |
| 2 | B015543 | COMPLETE INTAKE FITTING SUPPORT | 1 | PTL |
| 2 | B016016 | INTAKE FITTING GASKET WITH O-RING | 1 | CNG /LPG |
| 3 | 1A009632 | INTAKE FITTING-PLT | 1 | |
| 3 | 1A007409 | INTAKE FITTING-LPG/CNG | 1 | |
| 4 | B016774 | FLANGED HEXAGONAL SCREW M6X25 | 2 | |
| 5 | 018639 | SCREW M6X20 | 2 | |
| 6 | B018442 | INTAKE FITTING GASKET | 1 | |
| 7 | 1A000542 | STARTER KIT | 1 | CNGLPG(NI) |
| 8 | 1A010023 | NEEDLE JET | 1 | PTL(NI) |
| 9 | 1A010024 | NEEDLE JET HOLDER | 1 | PTL(NI) |
| 10 | 1A010025 | PILOT SCREW | 1 | PTL(NI) |
| 11 | 1A010026 | PLANE WASHER | 1 | PTL(NI) |
| 12 | 1A010088 | MAXIMUM JET | 1 | PTL(NI) |
| 13 | 1A010089 | MINIMUM JET | 1 | PTL(NI) |
| 14 | 1A010090 | VALVE COMPLETE FLOAT | 1 | PTL(NI) |
| 15 | 1A010091 | COMPLETE FLOAT | 1 | PTL(NI) |
| 16 | 1A010092 | COMPLETE BODY FLOAT CHAMBER | 1 | PTL(NI) |
| 17 | 1A010095 | FLOAT CHAMBER GASKET | 1 | PTL(NI) |
| 18 | 1A010096 | SCREW DRAIN | 1 | PTL(NI) |
| 19 | 1A010097 | THROTTLE VALVE | 1 | PTL(NI) |
| 20 | 1A010098 | JET NEEDLE | 1 | PTL(NI) |
| 21 | 1A010100 | PISTON SPRING | 1 | PTL(NI) |
| 22 | 1A010101 | TOP COMPLETE-PTL | 1 | PTL(NI) |
| 23 | 1A010102 | STOP SCREW AND SPRING | 1 | PTL(NI) |
| 24 | 1A011914 | KIT STARTER DEVICE | 1 | PTL(NI) |
| 25 | B016822 | FLOAT CHAMBER BODY ASSY KIT | 1 | CNGLPG(NI) |
| 26 | B016823 | FLOAT PIN | 1 | CNGLPG(NI) |
| 27 | B016824 | STARTER DEVICE KIT | 1 | CNG(NI) |
| 28 | B016825 | GAS VALVE COVER KIT | 1 | CNGLPG(NI) |
| 29 | B016827 | THROTTLE VALVE | 1 | CNGLPG(NI) |
| 30 | B016828 | IDLE ADJUSTER KIT | 1 | CNGLPG(NI) |
| 31 | B016829 | SPRING (PV) | 1 | CNGLPG(NI) |

PLATE-7

Intake Fitting - Carburetor

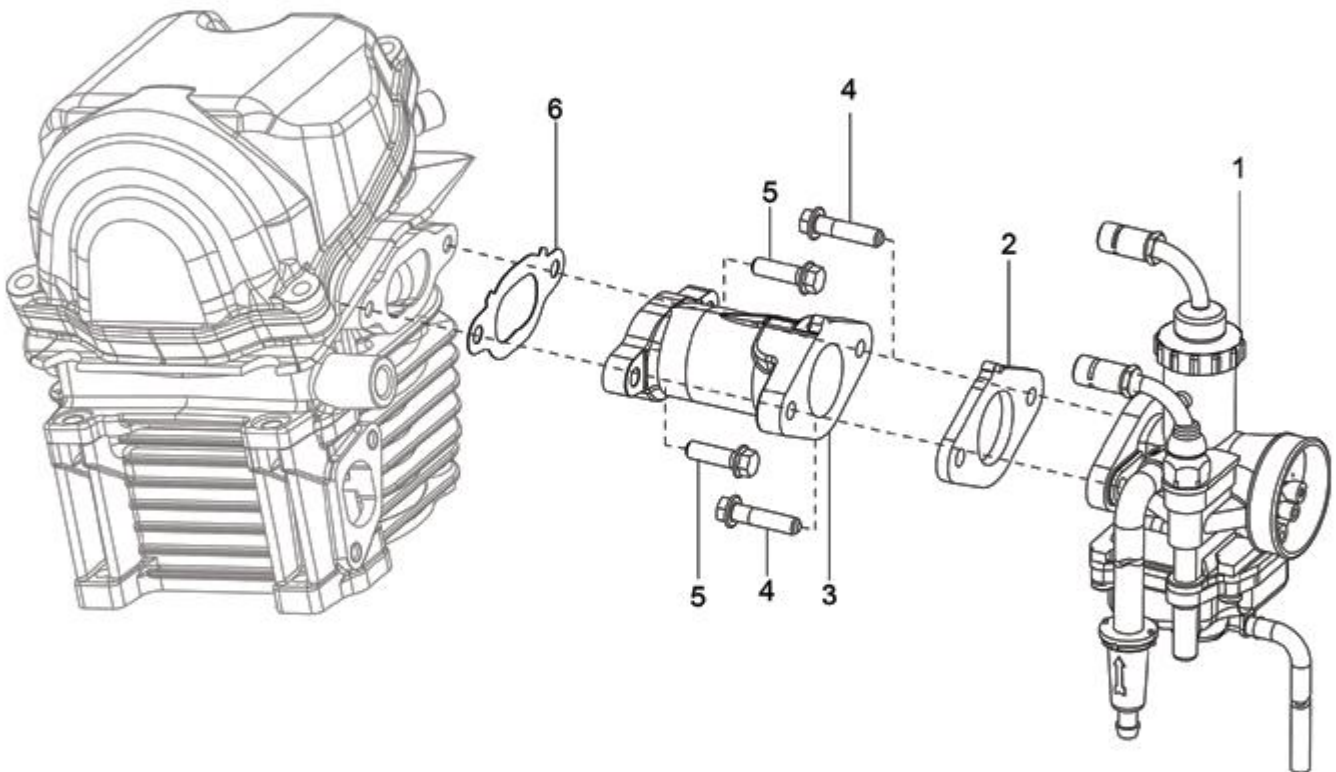


PLATE-7

Intake Fitting - Carburetor

| Fig. No. | Part No. | Description | Qty | Remarks |
|----------|----------|----------------------|-----|------------|
| 32 | B016834 | FLOAT CHAMBER GASKET | 1 | CNGLPG(NI) |
| 33 | B016869 | CABLE ADJUSTER KIT | 2 | CNGLPG(NI) |
| 34 | B017542 | NEEDLE VALVE | 1 | CNGLPG(NI) |
| 35 | CM167704 | MAIN JET (CNG) | 1 | CNG(NI) |
| 36 | CM167708 | MAXIMUM JET | 1 | LPG(NI) |
| 37 | CM167802 | PILOT JET (CNG/LPG) | 1 | CNGLPG(NI) |
| 38 | CM167902 | DIFFUSER | 1 | CNGLPG(NI) |
| 39 | CM263501 | NEEDLE JET | 1 | LPG(NI) |
| 40 | CM263502 | NEEDLE JET (CNG) | 1 | CNG(NI) |
| 41 | CM263602 | JET NEEDLE (PETROL) | 1 | CNG(NI) |
| 42 | CM263603 | CONIC NEEDLE | 1 | LPG(NI) |
| 43 | CM264701 | AIR SCREW KIT | 1 | CNGLPG(NI) |

PLATE-8

Air Filter Assembly

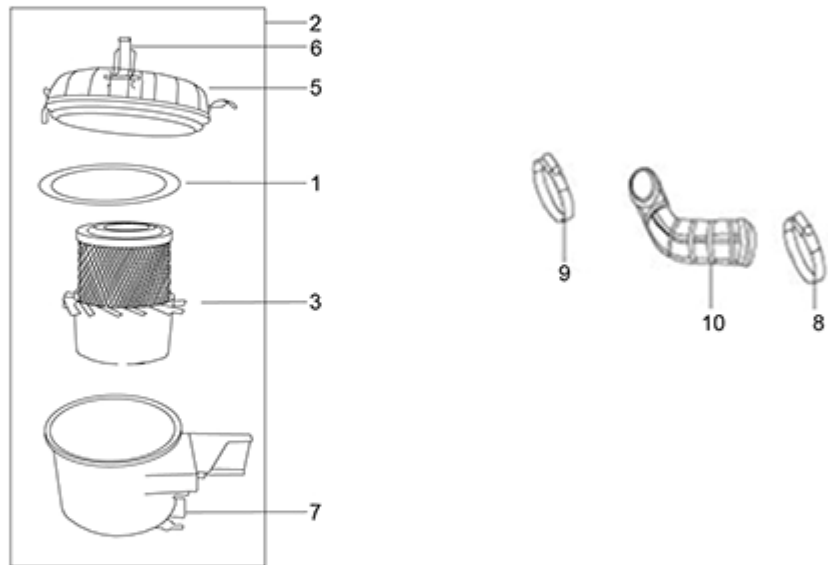


PLATE-8

Air Filter Assembly

| Fig. No. | Part No. | Description | Qty | Remarks |
|----------|----------|--------------------------------------|-----|-------------|
| 1 | 940072 | AIR FILTER COVER GASKET | 1 | |
| 2 | B073441 | AIR FILTER ASSLY.(CLAMP TYPE) | 1 | PTL/LPG/CNG |
| 3 | B076112 | AIR FILTER ELEMENT | 1 | |
| 4 | B041445 | RESTRICTOR AIR FILTER INLET | 1 | LPG |
| 4 | B024937 | AIR RESTRICTOR-PETROL | 1 | PTL |
| 4 | B041089 | RESTRATOR FOR AIR FILTER-SNORKEL CNG | 1 | NI |
| 4 | B041090 | RESTRATOR FOR AIR FILTER-SNORKEL LPG | 1 | LPG/CNG |
| 5 | 940069 | AIR FILTER COVER-(UG) | 1 | |
| 6 | 920088 | CLAMP | 3 | |
| 7 | 940071 | DUST VALVE | 1 | |
| 8 | 604756 | HOSE CLIP | 1 | |
| 9 | 604553 | WORM CLIP | 1 | |
| 10 | 1A010781 | SNORKEL AIRBOX | 1 | |

PLATE-9
Complete Crankcase

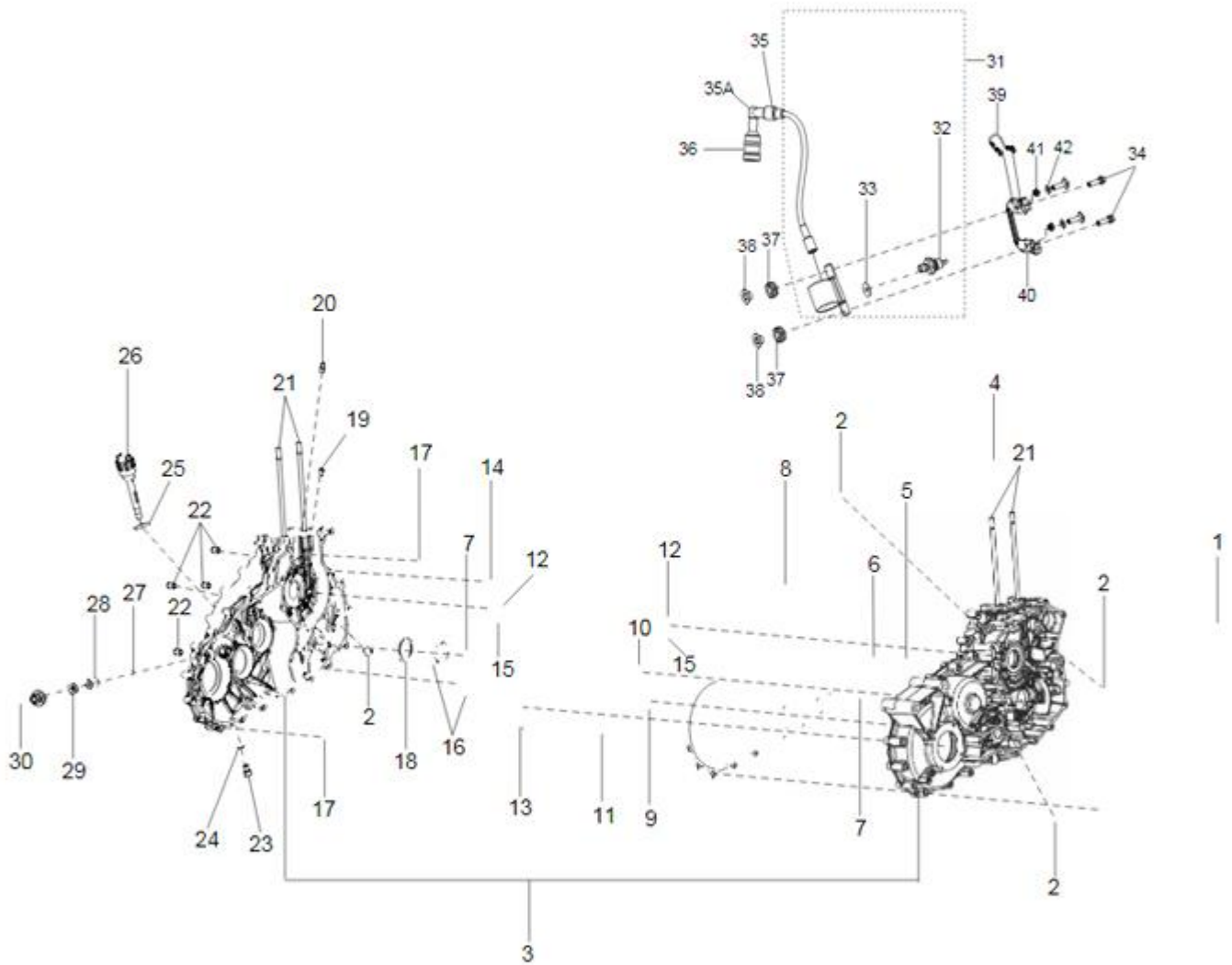


PLATE-9

Complete Crankcase

| Fig. No. | Part No. | Description | Qty | Remarks |
|----------|-----------|--|-----|-----------------------|
| 1 | 432142 | HEXAGONAL RANGE HEAD SCREW (M6X35) | 30 | |
| 2 | 411311 | TAPER THREAD PLUG | 4 | |
| 2a | 1A011246 | TAPER THREAD PLUG | 4 | STEP-2 BS3 HS LAM PTL |
| 3 | SP940097 | COUPLED CRANKCASE WITH STUB BRG BSIV-SPD | 1 | |
| 4 | 1A007774 | DOWEL | 1 | |
| 5 | 485655 | SPRING FOR OIL PRESSURE VALVE | 1 | |
| 6 | 829661 | OIL PRES. VALVE | 1 | |
| 7 | B042486 | BUSH | 2 | |
| 8 | 1A006856 | HALF-CRANKCASES GASKET | 1 | |
| 9 | 1A007028 | ROLLER BEARING | 1 | |
| 10 | 884222808 | NEEDLE BUSH 22X28X12 | 1 | |
| 11 | 7066 | BALL BRG TATA 16010 | 1 | |
| 12 | B015872 | CRANKSHAFT STUB UPPER HALF BEARING | 2 | |
| 13 | 111353 | CIRCLIP | 1 | |
| 14 | 878941 | CONNECTION PIPE | 1 | |
| 15 | B015873 | CRANKSHAFT STUB LOWER HALF BEARING | 2 | |
| 16 | 1A007026 | BALL BEARING | 2 | |
| 17 | B015592 | REFERENCE DOWEL (D.9,5 H=15) | 2 | |
| 18 | 1A002685 | SEAL RING 35X47X6 | 1 | |
| 19 | 1A000612 | RETAINER SCREW - PRE COATED (NI) | 1 | |
| 20 | 1A008823 | PISTON COOLING JET | 1 | |
| 21 | B014755 | STUD SCREW | 4 | |
| 22 | 1A000708 | DOWEL (Ø7,5, H=12) | 4 | |
| 23 | 269755 | SOCKET HEAD SCREW (M8X12) | 1 | |
| 24 | 485703 | WASHER | 1 | |
| 25 | 127016015 | DIPSTICK SEALING WASHER | 1 | |
| 26 | 112898 | OIL LEVEL ARM WITH PLUG | 1 | |
| 27 | 165121014 | PIN | 1 | |
| 28 | 117401 | BUSH | 1 | |
| 29 | 117402 | OIL SEAL | 1 | |
| 30 | 1A010720 | SPEEDOMETER GEAR | 1 | |
| 30a | 1A008559 | BUSH (SPEEDOMETER GEAR) | 1 | NI |
| 31 | 1A001794 | COMPLETE H.T.COIL | 1 | |
| 32 | 1D001138 | MINIMUM PRESSURE OIL SWITCH | 1 | |
| 33 | 1A011500 | WASHER | 1 | |

PLATE-9
Complete Crankcase

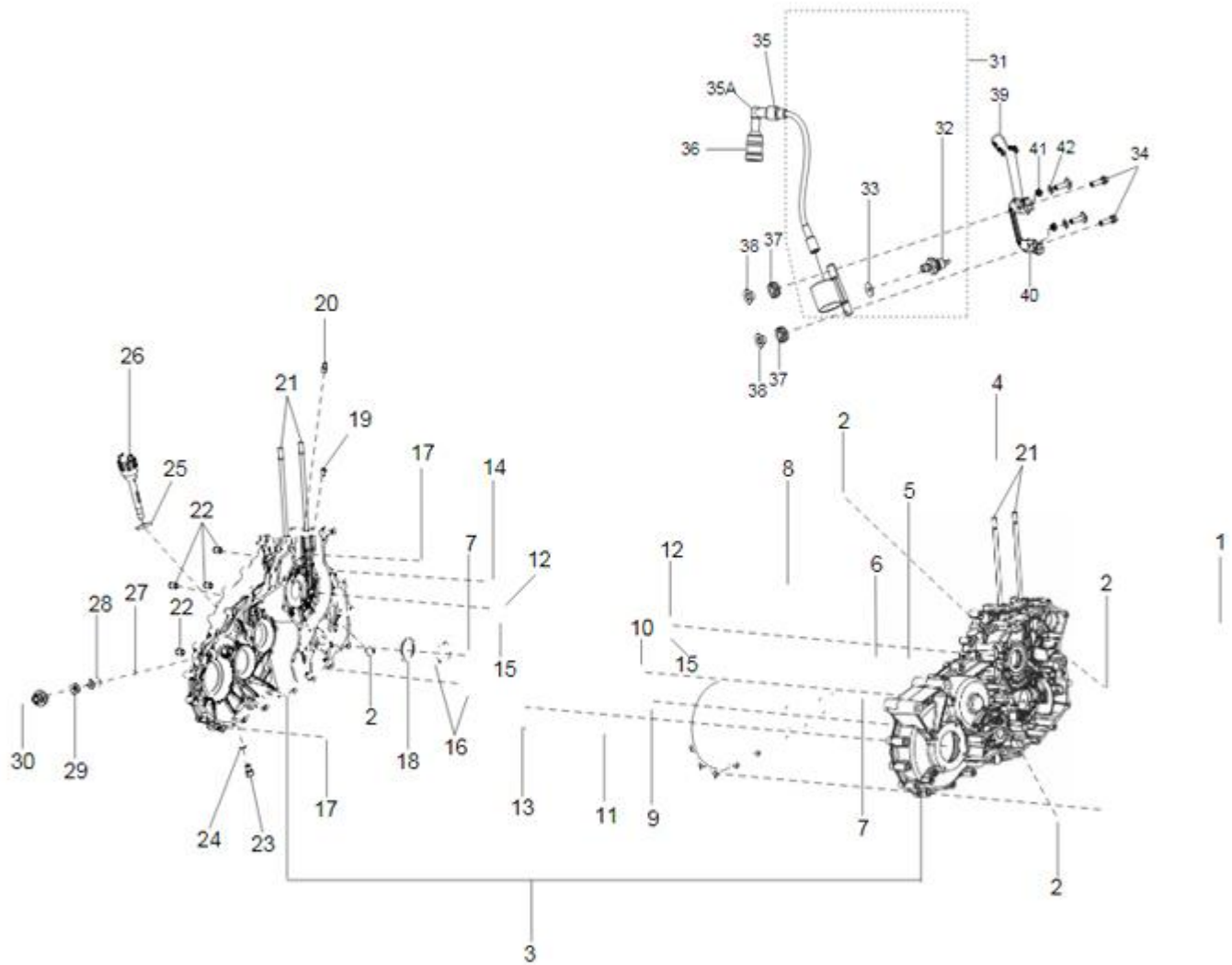


PLATE-9

Complete Crankcase

| Fig. No. | Part No. | Description | Qty | Remarks |
|----------|----------|--------------------------------|-----|---------|
| 34 | 18639 | SCREW M6X20 | 2 | |
| 35 | 642537 | PROTECTION CAP | 1 | |
| 35A | 643149 | SPARK PLUG CAP | 1 | |
| 36 | 1A001795 | SPARK PLUG PROTECTION COLLAR | 1 | |
| 37 | B014063 | BUFFER DAMPER | 2 | |
| 38 | B014066 | SPACER | 2 | |
| 39 | 643156 | GROUND WIRE | 1 | |
| 40 | B016552 | COIL SUPPORT BRACKET WITH I.P. | 1 | |
| 41 | 872816 | FLANGED NUT | 2 | |
| 42 | 13880 | METALIC PLAIN WASHER | 2 | |

PLATE-10

Gear Sector Assembly

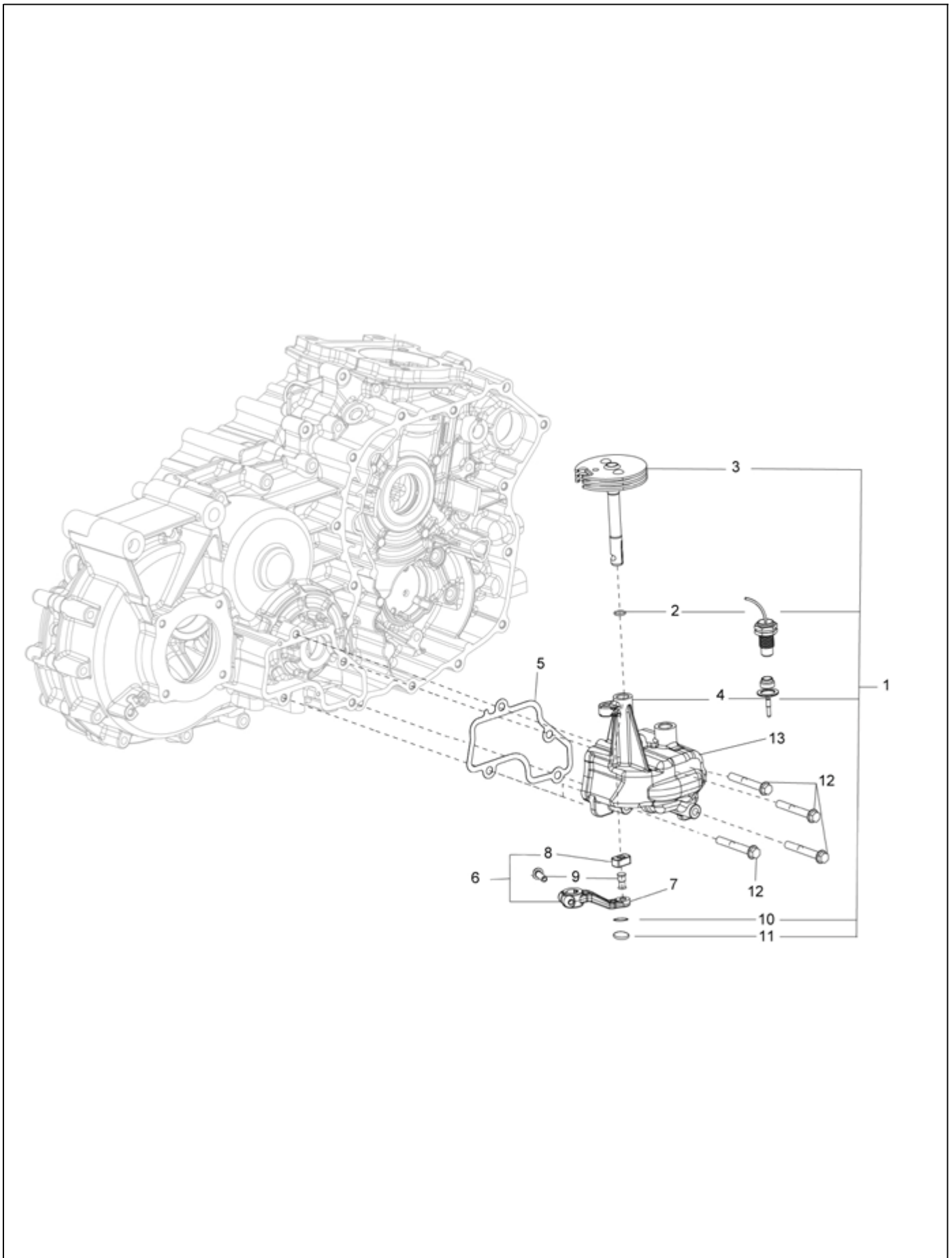


PLATE-10

Gear Sector Assembly

| Fig. No. | Part No. | Description | Qty | Remarks |
|----------|------------|-------------------------------|-----|-----------------------|
| 1 | SP1A011195 | COMPLETE GEAR SHIFTER ASSY | 1 | |
| 1A | 1A011650 | COMPLETE GEAR SHIFTER ASSY | 1 | STEP-2 BS3 HS LAM PTL |
| 2 | 1A005178 | O- RING | 1 | |
| 3 | 1A010035 | COMPLETE SECTOR WITH SHAFT | 1 | |
| 4 | 1A007599 | GEAR SHIFTER HOUSING | 1 | |
| 4A | 1A012182 | GEAR SHIFTER HOUSING | 1 | STEP-2 BS3 HS LAM PTL |
| 5 | 1A006859 | GASKET GEAR SHIFTER HOUSING | 1 | |
| 5A | 1A012334 | CLUTCH COVER GASKET | 1 | STEP-2 BS3 HS LAM PTL |
| 6 | SP1A012040 | COMPLETE LEVER-SPD | 1 | |
| 7 | 1A012039 | GEAR SHIFT LEVER | 1 | |
| 8 | 1A010187 | SLIDER BLOCK | 1 | |
| 9 | 1A010192 | PIN | 1 | |
| 10 | 009101 | SEEGER RING | 1 | |
| 11 | 1A006701 | LOCK WASHER | 1 | |
| 12 | 1A003060 | FLANGED HEX. HEAD SCREW M6X45 | 4 | |
| 13 | 1A010008 | GEAR SHIFTER HOUSING | 1 | |

PLATE-11
Cylinder Head With I.P.

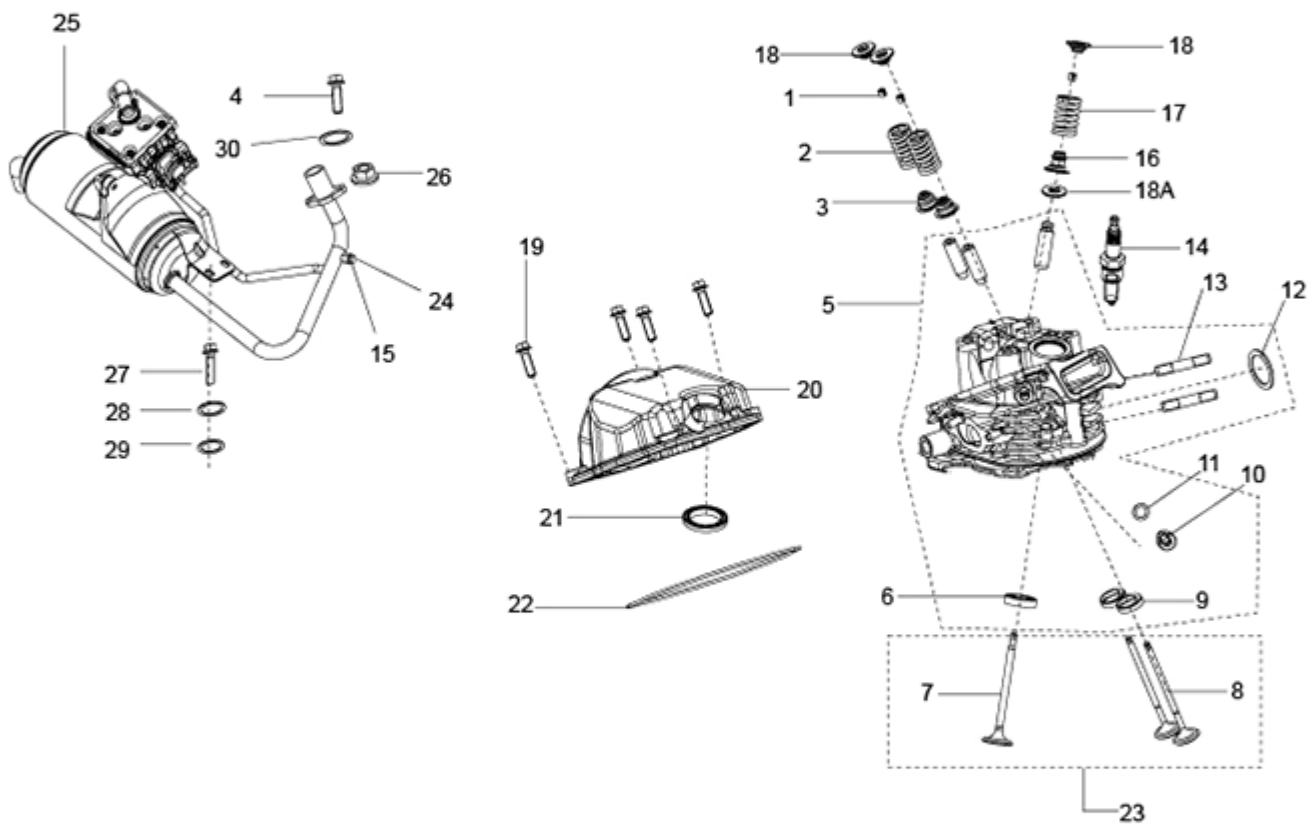


PLATE-11

Cylinder Head With I.P.

| Fig. No. | Part No. | Description | Qty | Remarks |
|----------|-------------|-----------------------------------|-----|-----------------------|
| 1 | B015288 | HALF-CONE | 3 | |
| 2 | B014706 | VALVE SPRING (INTAKE) | 2 | |
| 3 | 83053R | VALVE SEAL RING | 2 | |
| 4 | 31089 | HEX HEAD SCREW M6X18 CL 8.8 | 2 | |
| 5 | SP1A012928 | CYLINDER HEAD ASSY | 1 | |
| 6 | B017336 | EXHAUST VALVE SEAT | 1 | |
| 7 | B017438 | EXHAUST VALVE Ø22 | 1 | |
| 8 | B014684 | INTAKE VALVE Ø20 | 2 | |
| 9 | B017230 | INTAKE VALVE SEAT | 2 | |
| 10 | 269755 | SOCKET HEAD SCREW (M8X12) | 1 | |
| 11 | 485703 | WASHER | 1 | |
| 12 | 434716 | CYLINDER HEAD/MUFFLER GASKET | 1 | |
| 13 | B016368 | SPECIAL STUD | 2 | |
| 14 | 643367 | SPARK PLUG | 1 | |
| 15 | 433122 | SCREW M10X6 | 1 | |
| 16 | 83054R | VALVE SEAL RING | 1 | |
| 17 | B014705 | VALVE SPRING (EXHAUST) | 1 | |
| 18 | B017456 | UPPER CUP | 3 | |
| 18A | 483711 | LOWER CUP | 1 | |
| 19 | 1A002691 | FLANGED HEX HEAD SCREW M6X20 CL10 | 4 | |
| 20 | 1A006545 | HEAD COVER | 1 | |
| 21 | B014732 | SPARK PLUG HOLE GASKET | 1 | |
| 22 | B018533 | CYLINDER HEAD COVER GASKET | 1 | |
| 23 | KIT1U000020 | SET OF VALVES | 1 | |
| 24 | - | NOT SERVICEABLE | 1 | NS |
| 25 | 1A015723R | COMPLETE SILENCER-CNG | 1 | ECN No. 500000255565 |
| 25A | 1A009706 | COMPLETE MUFFLER | 1 | STEP-2 BS3 HS LAM PTL |
| 25 | 1A009125 | COMPLETE SILENCER-LPG/PTL | 1 | |
| 26 | 436947 | FLANGED NUT M7X1 H=8 | 2 | |
| 27 | 30074 | HEX HEAD BOLT M8 X 40 CL 8.8 | 2 | |
| 28 | 016408 | SPRING WASHER | 2 | |
| 29 | 003056 | PLAIN WASHER | 2 | |
| 30 | 016406 | SPRING WASHER | 2 | |

PLATE-12
Crankshaft Assembly

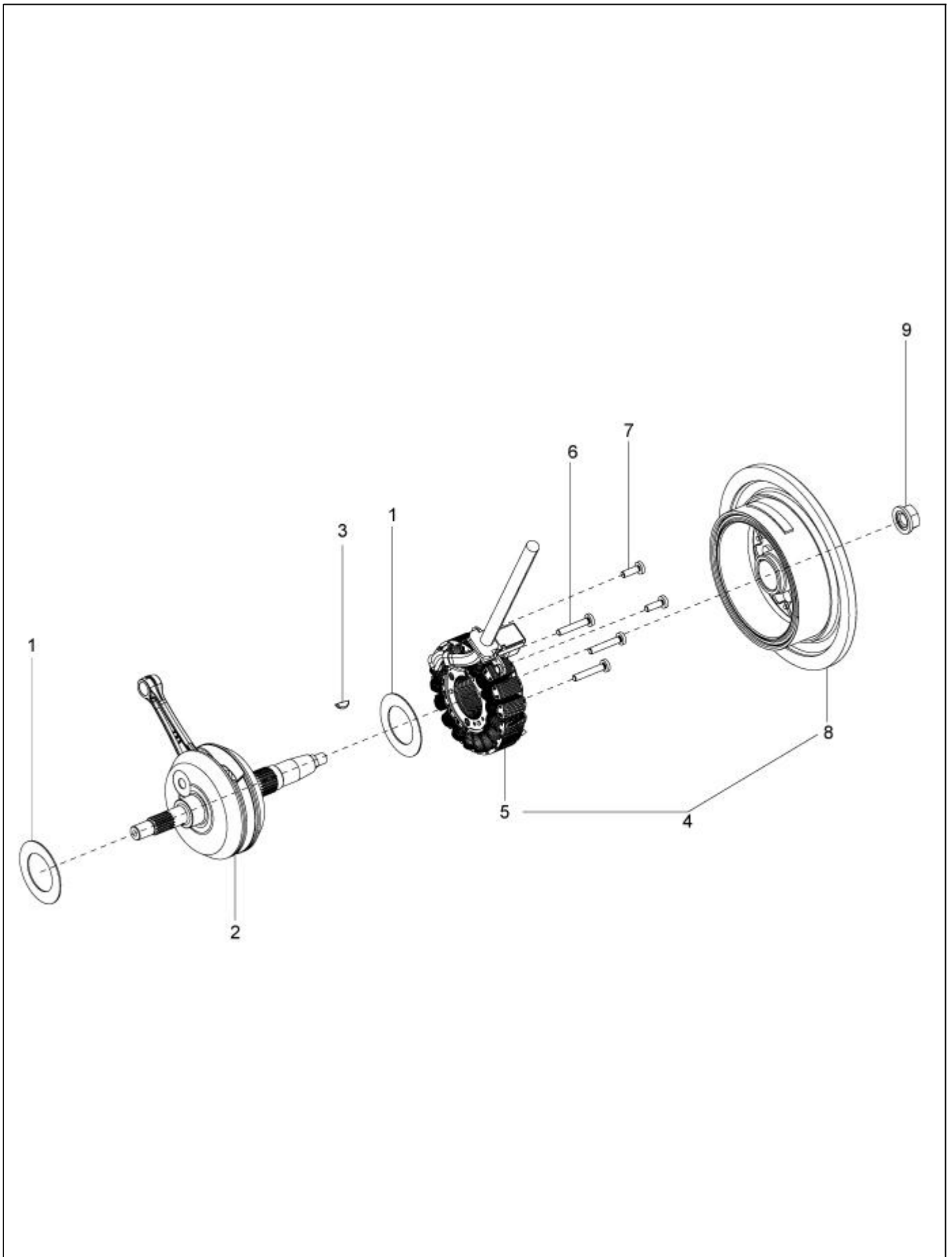


PLATE-12

Crankshaft Assembly

| Fig. No. | Part No. | Description | Qty | Remarks |
|----------|----------|------------------------|-----|---------|
| 1 | B016144 | WASHER | 2 | |
| 2 | 1A010150 | CRANKSHAFT ASSEMBLY | 1 | |
| 3 | 000267 | WOODRUFF KEY | 1 | |
| 4 | 1D001847 | COMPLETE A.C.GENERATOR | 1 | |
| 5 | ---- | COMPLETE STATOR | 1 | NS |
| 6 | 1A001073 | TORX HEAD SCREW M5X16 | 3 | |
| 7 | 1A013159 | TORX HEAD SCREW M5X22 | 2 | |
| 8 | 1A008672 | ROTAR ASSY WITH HUB | 1 | |
| 9 | 1A006988 | NUT WITH SPRING WASHER | 1 | |
| 10 | 1A006002 | DOWEL | 1 | NI |

PLATE-13

Aircooling Circuit Components

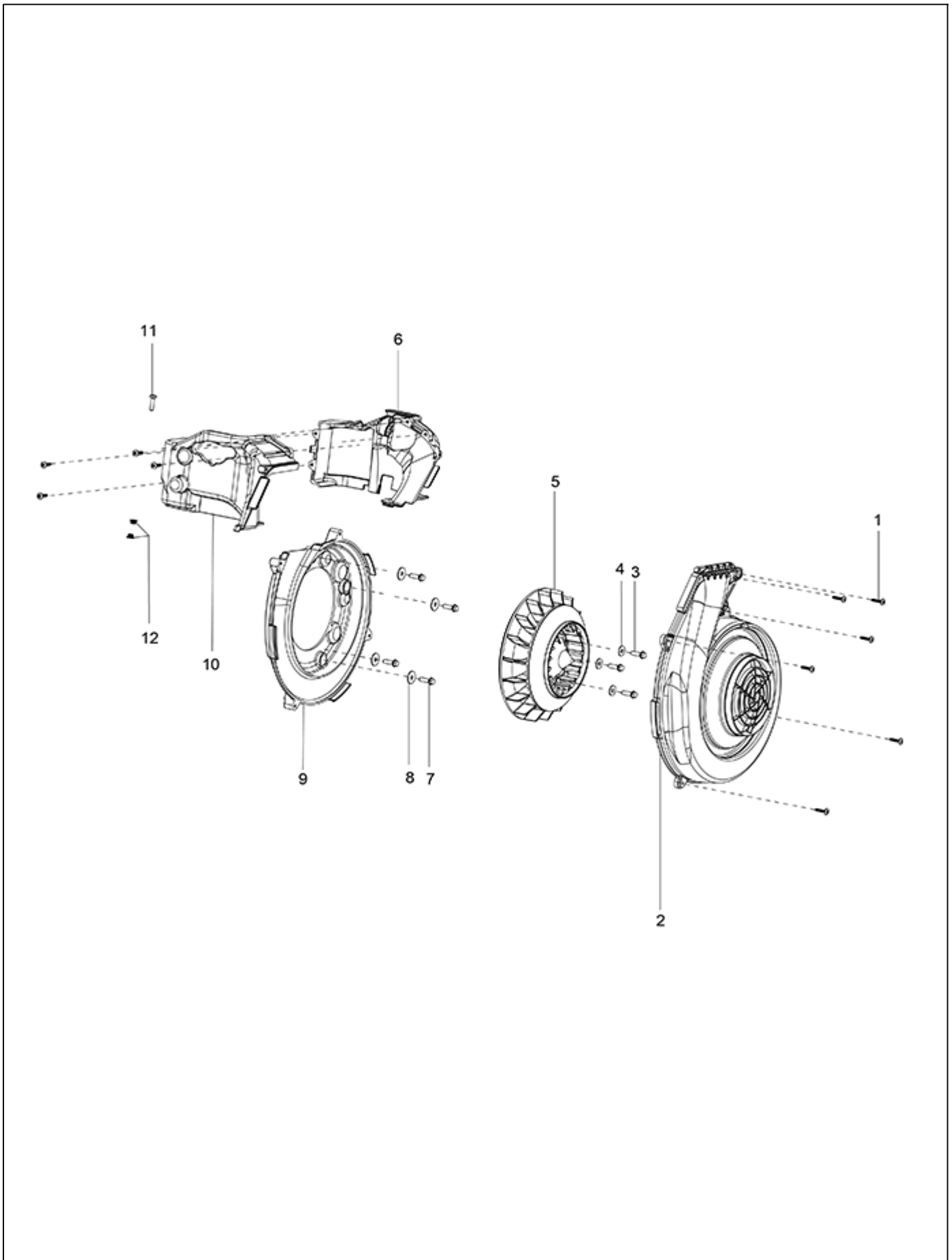


PLATE-13

Aircooling Circuit Components

| Fig. No. | Part No. | Description | Qty | Remarks |
|----------|----------|-----------------------------------|-----|---------|
| 1 | 1A000024 | SELF TAPPING SCREW (3X20) | 10 | |
| 2 | 1A010001 | FAN COVER | 1 | |
| 3 | 1A002691 | FLANGED HEX HEAD SCREW M6X20 CL10 | 3 | |
| 4 | B019047 | WASHER | 3 | |
| 5 | 1A000831 | ASSY FAN | 1 | |
| 6 | 1A006740 | SHROUD EXHAUST SIDE | 1 | |
| 7 | 018639 | SCREW M6X20 | 4 | |
| 8 | B016192 | WASHER 6.2X20X2 | 4 | |
| 9 | 1A006742 | FAN COVER SUPPORT | 1 | |
| 10 | 1A006743 | COMPLETE SHROUD INTAKE SIDE | 1 | |
| 11 | B016620 | SCREW WITH CYLINDRICAL HEAD M5X21 | 1 | |
| 12 | B018262 | KNURLED BUSH | 2 | |

PLATE-14
Timing Group

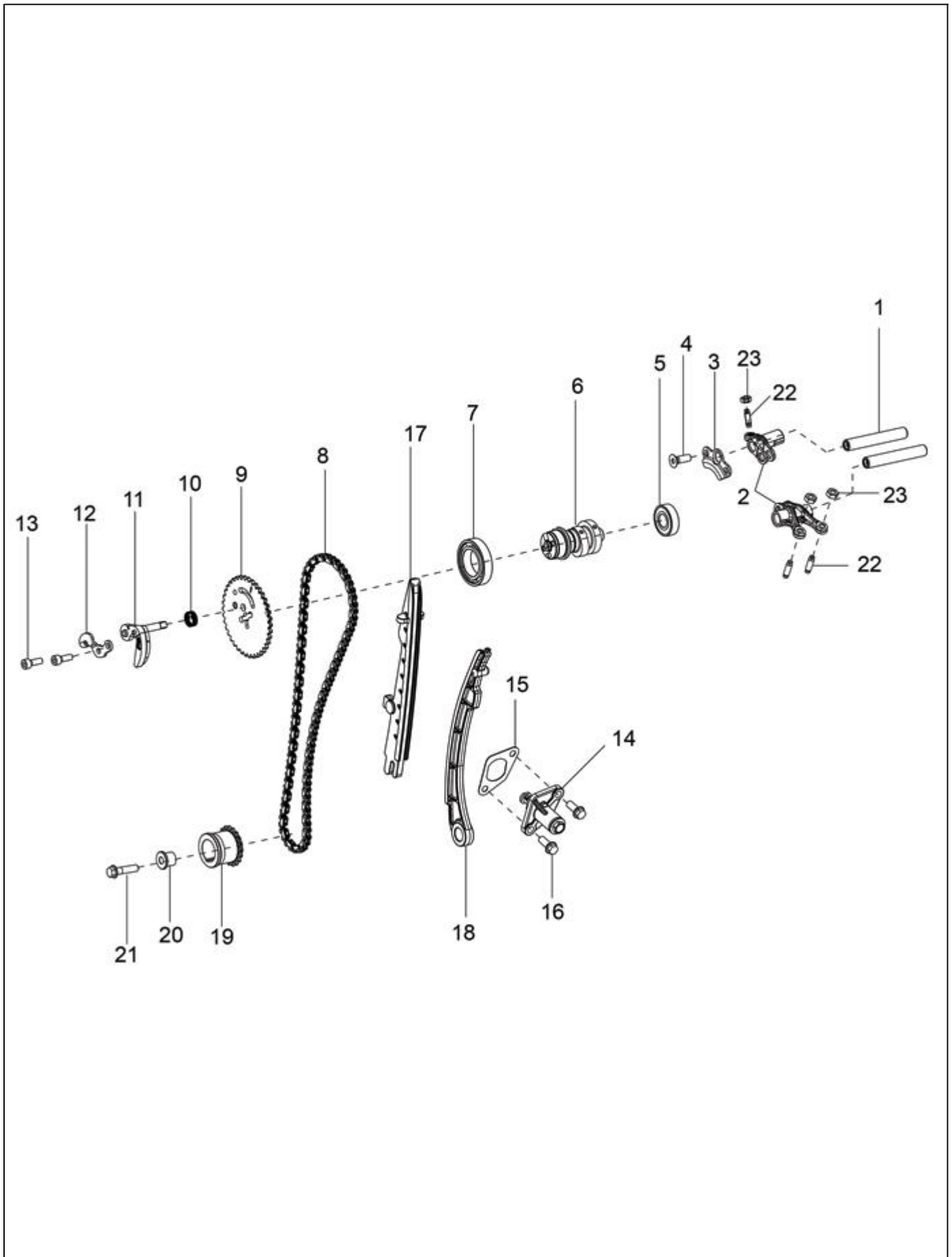


PLATE-14

Timing Group

| Fig. No. | Part No. | Description | Qty | Remarks |
|----------|------------|--------------------------------------|-----|---------|
| 1 | B017113 | ROCKER ARM SHAFT | 2 | |
| 2 | 1A013013 | ROCKER ARM GROUP | 1 | |
| 3 | B014760 | CAMSHAFT CONTAINMENT SHEET-STEEL | 1 | |
| 4 | B018946 | COUNTERSUNK SCREW M6X18 | 1 | |
| 5 | 83040R | DEEP GROOVE BALL BEARING | 1 | |
| 6 | B017746 | CAMSHAFT WITH I.P. | 1 | |
| 7 | 83041R | DEEP GROOVE BALL BEARING | 1 | |
| 8 | 1A015692 | TIMING CHAIN SOUNDLESS TYPE | 1 | |
| 9 | 1A002358 | TIMING CROWN | 1 | |
| 10 | B015483 | DECOMPRESSION SPRING | 1 | |
| 11 | SP1A006405 | CENTRIFUGAL MASS WITH I.P. | 1 | |
| 12 | 1A008397 | CENTRIFUGAL MASS CONTAINMENT SHEET | 1 | |
| 13 | B018718 | EXAG. SOCKET CYLIND.HEAD SCREW M5X14 | 2 | |
| 14 | B017165 | CHAIN TENSIONER DEVICE | 1 | |
| 15 | 847928 | CHAIN SUPPORT GASKET | 1 | |
| 16 | 434541 | SCREW | 2 | |
| 17 | 1A006899 | FIXED PAD | 1 | |
| 18 | 1A006901 | CHAIN TIGHTENING ROD | 1 | |
| 19 | 1A007565 | TIMING PINION | 1 | |
| 20 | 485868 | SPACER FOR CHAIN TIGHTNING ROD | 1 | |
| 21 | B016774 | FLANGED HEXAGONAL SCREW M6X25 | 1 | |
| 22 | B017323 | VALVE ADJUSTMENT SCREW | 3 | |
| 23 | B017431 | ROCKER ARM NUT | 3 | |

PLATE-15

Cylinder- Piston Group

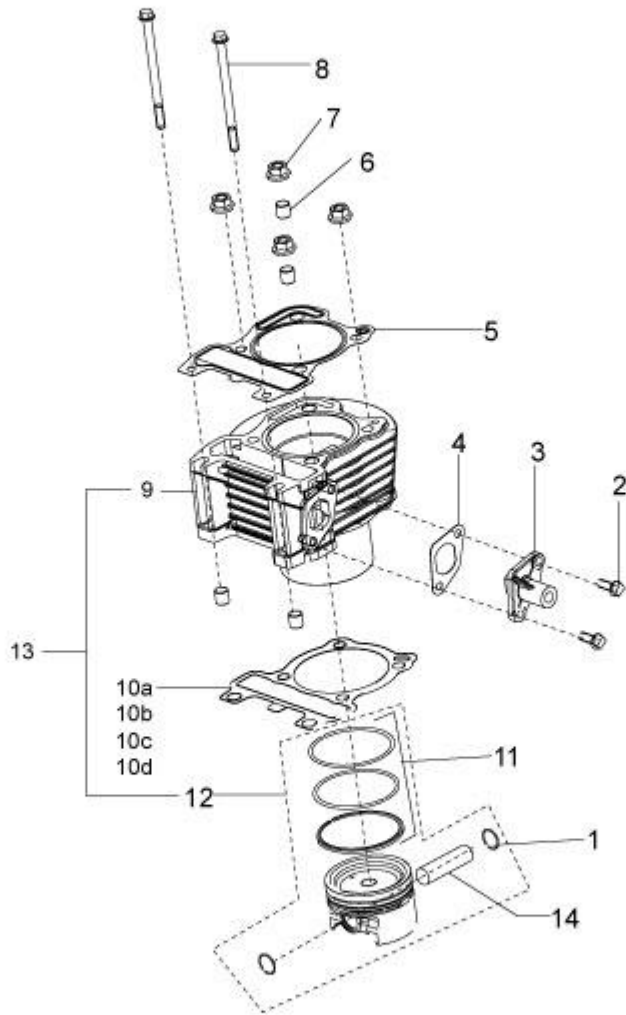


PLATE-15

Cylinder- Piston Group

| Fig. No. | Part No. | Description | Qty | Remarks |
|----------|-------------|------------------------------------|-----|---------|
| 1 | 963486 | CIRCLIP FOR PISTON WRIST | 2 | |
| 2 | 434541 | SCREW | 2 | |
| 3 | B017165 | CHAIN TENSIONER DEVICE | 1 | |
| 4 | 847928 | CHAIN SUPPORT GASKET | 1 | |
| 5 | B014555 | HEAD CYLINDER GASKET | 1 | |
| 6 | 435571 | REFERENCE DOWEL | 4 | |
| 7 | 844719 | FLANGED NUT M8X1.25 | 4 | |
| 8 | B018854 | HEXAGONAL HEAD FLANGED SCREW M6X90 | 2 | |
| 9 | B019317 | CYLINDER | 1 | |
| 10a | CM284001 | CRANKCASE/CYLINDER GASKET (0.4) | 1 | |
| 10b | CM284002 | CRANKCASE/CYLINDER GASKET (0.6) | 1 | |
| 10c | CM284003 | CRANKCASE/CYLINDER GASKET (0.8) | 1 | |
| 10d | CM284004 | CRANKCASE/CYLINDER GASKET (1.0) | 1 | |
| 11 | 1A009621R | PISTON RING GROUP | 1 | |
| 12 | KIT1U000024 | PISTON ASSEMBLY | 1 | |
| 13 | KIT1U000025 | BLOCK PISTON KIT | 1 | |
| 14 | 482335 | PISTON PIN | 1 | |

PLATE-16
Electric Starting Group

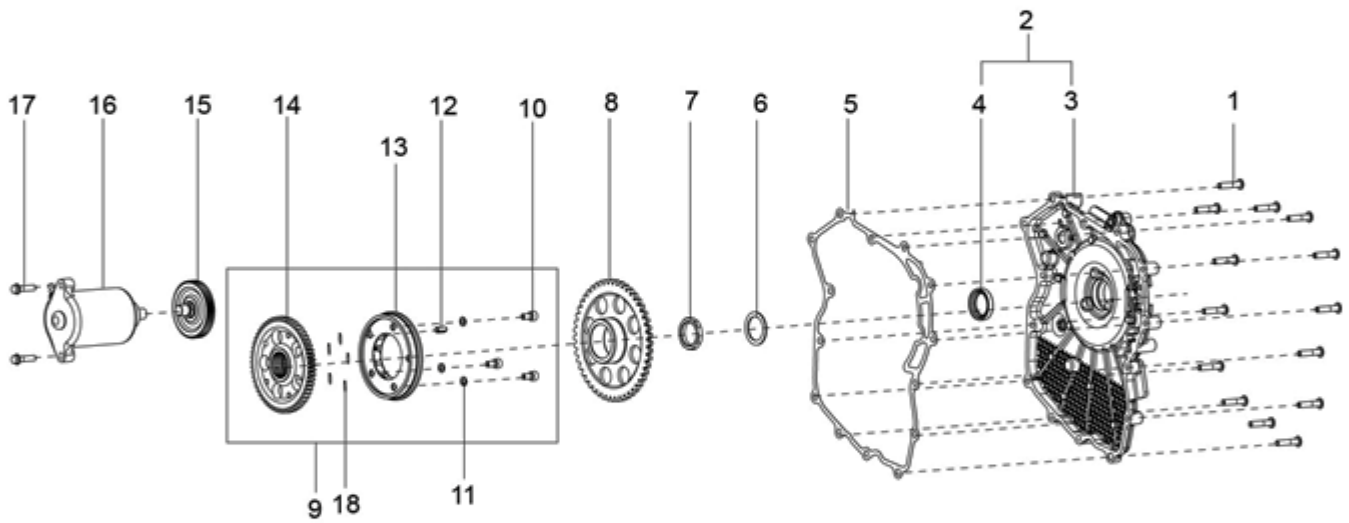


PLATE-16

Electric Starting Group

| Fig. No. | Part No. | Description | Qty | Remarks |
|----------|------------|--|-----|------------------------|
| 1 | B018853 | FLANGED HEXAGONAL HEAD SCREW M6X30 | 14 | |
| 2 | SP1A007045 | STARTER COVER WITH I.P. | 1 | |
| 3 | 1A006751 | STARTER COVER | 1 | |
| 4 | B016120 | SEAL RING 25X35X7 | 1 | |
| 5 | 1A006858 | STARTER COVER GASKET | 1 | |
| 6 | B016148 | WASHER | 1 | |
| 7 | B016147 | RING NUT | 1 | |
| 8 | 1A001187R | TOOTHED CROWN ELECTRIC STARTER | 1 | |
| 9 | 1D001846 | COMPLETE STATOR | 1 | |
| 10 | 1A000402 | SOCKET HEAD SCREW | 3 | |
| 11 | B019420 | CONICAL SPRING KNURLED WASHER | 3 | |
| 12 | 1A000742 | ELASTIC PIN | 1 | |
| 13 | 1A010696R | ONE WAY CLUTCH | 1 | |
| 14 | 1A008715 | CUM CLUTCH HUB | 1 | |
| 15 | B017189 | ELECTRIC STARTER INTERMED GEAR WITH P.I. | 1 | |
| 16 | 1D000425R | STARTER MOTOR | 1 | |
| 17 | B016774 | FLANGED HEXAGONAL SCREW M6X25 | 2 | |
| 18 | 1A002661 | PLANE SPRING - CLUTCH ASSY | 5 | Ducati one way clutch |
| 19 | 1A009586 | REAR BRACKET ASSY | 1 | NI |
| 20 | 1A009587 | BRUSH ASSLY KIT (+VE & -VE) | 1 | NI |
| 21 | 1A009588 | ARMATURE ASSLY | 1 | NI |
| 22 | 1A009589 | YOKE ASSLY | 1 | NI |
| 23 | 1A009590 | FRONT BRACKET ASSLY | 1 | NI |
| 24 | 1A009591 | HEXAG. HEAD SCREW | 1 | NI |
| 25 | 1A009592 | O-RING KIT | 1 | NI |
| 26 | 1A009593 | THRUST WASHER KIT | 1 | NI |
| 18 | 1A014399 | ONE WAY CLUTCH SPRING | 1 | Texspin one way clutch |

PLATE-17
Speed Gear Group

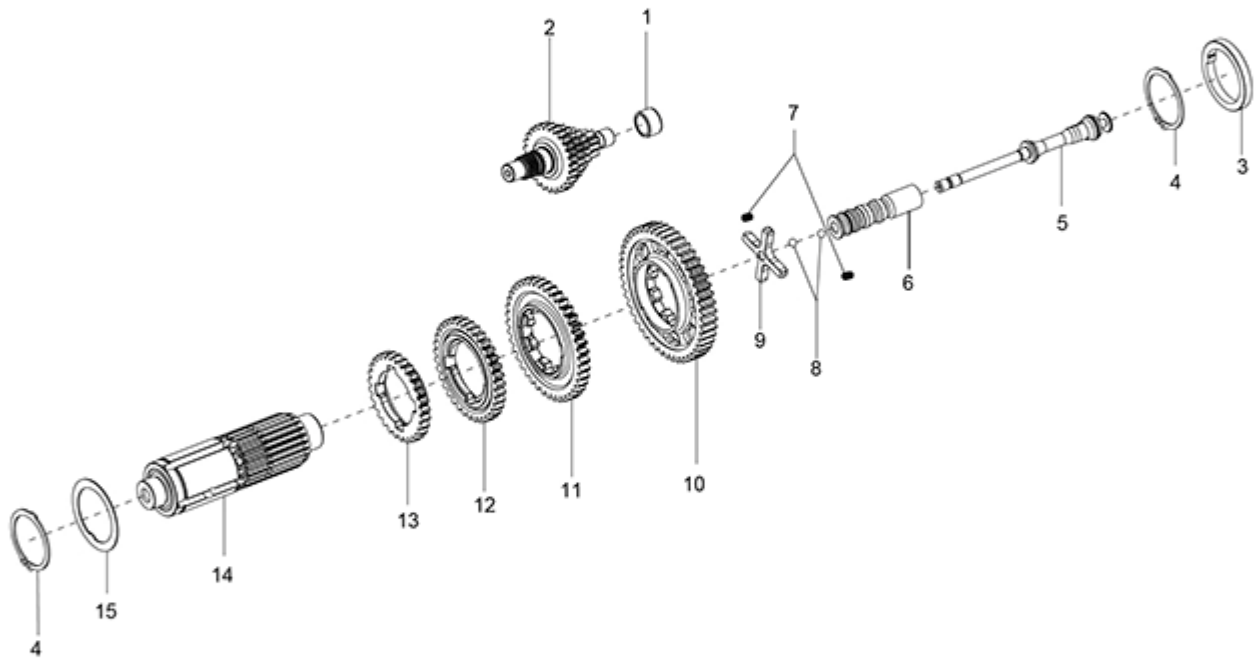


PLATE-17

Speed Gear Group

| Fig. No. | Part No. | Description | Qty | Remarks |
|----------|-----------|---------------------------|-----|---------|
| 1 | 122032014 | INNER RING - CLUSTER GEAR | 1 | |
| 2 | 1A011044 | CLUSTER GEAR | 1 | |
| 3 | 1A007029 | LOCK WASHER | 1 | |
| 4 | 009101 | SEEGER RING | 1 | |
| 5 | 1A006687 | STEM | 1 | |
| 6 | 1A012846 | BUSH GEAR SHIFTER | 1 | |
| 7 | 1A006970 | SPRING | 2 | |
| 8 | 002139 | BALL | 2 | |
| 9 | 1A010166 | CROSS | 1 | |
| 10 | 1A010160 | SPEED GEAR 1ST | 1 | |
| 11 | 1A010161 | SPEED GEAR 2ND | 1 | |
| 12 | 1A010162 | SPEED GEAR 3RD | 1 | |
| 13 | 1A010163 | SPEED GEAR 4TH | 1 | |
| 14 | 1A010159 | SECONDARY GEAR SHAFT | 1 | |
| 15 | 1A006115 | LOCK WASHER | 1 | |

PLATE-18
Engine Support

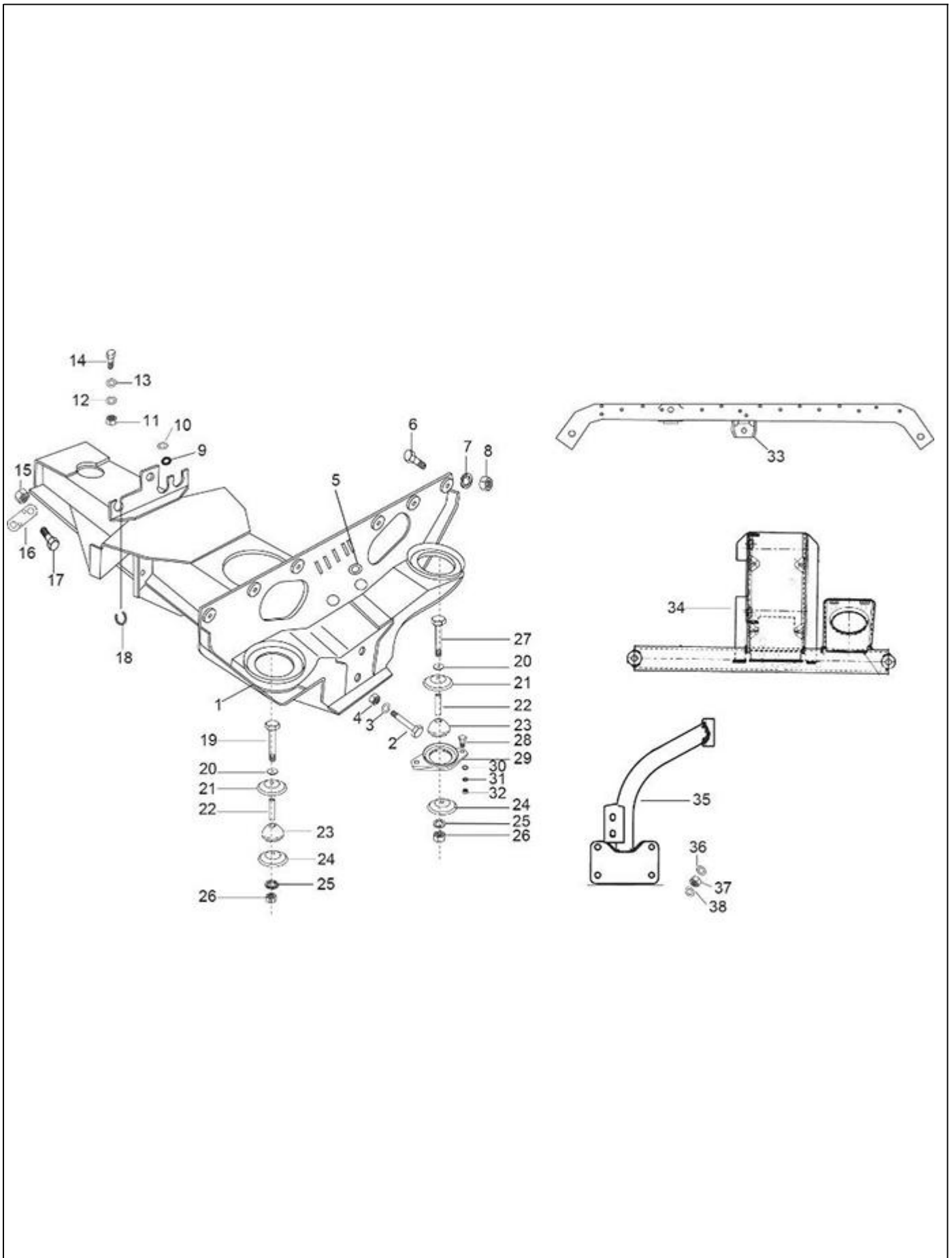


PLATE-18

Engine Support

| Fig. No. | Part No. | Description | Qty | Remarks |
|----------|----------|---|-----|---------|
| 1 | B075798 | FRAME ASSY. SUSPENSION & ENGINE SUPPORT | 1 | |
| 2 | 568689 | HEX HEAD BOLT M10X100 | 2 | |
| 3 | 286328 | PLAIN WASHER 20X10.2X2 | 2 | |
| 4 | 231370 | SELF BREAKING NUT M10 | 2 | |
| 5 | 15478 | GROMMET4 | 2 | |
| 6 | 31119 | HEX HD SCREW M8 X 25 | 6 | |
| 7 | 016408 | SPRING WASHER | 6 | |
| 8 | 020108 | HEXAGONAL NUT | 6 | |
| 9 | 178610 | GROMMET | 1 | |
| 10 | 016406 | SPRING WASHER | 2 | |
| 11 | 020108 | HEXAGONAL NUT | 2 | |
| 12 | 016408 | SPRING WASHER | 2 | |
| 13 | 002383 | PLAIN WASHER M20X8.5X2 | 2 | |
| 14 | 31119 | HEX HD SCREW M8 X 25 | 2 | |
| 15 | 231370 | SELF BREAKING NUT M10 | 2 | |
| 16 | 108834 | PLATE | 2 | |
| 16 | 632299 | PLATE | 1 | |
| 17 | 632247 | HEX HDD SCREW M10X30 CC8.8 | 2 | |
| 18 | 568140 | GROMMET | 1 | |
| 19 | 604948 | HEX.HDD BOLT M8 X 110 WITH POINTING | 2 | |
| 20 | 002383 | PLAIN WASHER M20X8.5X2 | 3 | |
| 21 | 569375 | PLATE | 3 | |
| 22 | 267065 | SPACER FRONT | 2 | |
| 23 | 265091 | DUMPER ENGINE MTG. | 2 | |
| 24 | 569244 | PLATE | 3 | |
| 25 | 016408 | SPRING WASHER | 3 | |
| 26 | 15335 | HEX HD NUT M8 | 2 | |
| 27 | 272178 | HEX. HDD BOLT M8 X 122 CL 10.9 | 1 | |
| 28 | 31154 | HEX HDD SCREW M10X22 CL 8.8 | 2 | |
| 29 | B003286 | REAR AVM SUPPORT BKT. ASSY. | 1 | |
| 30 | 286328 | PLAIN WASHER 20X10.2X2 | 2 | |
| 31 | 016410 | SPRING WASHER | 2 | |
| 32 | 020108 | HEXAGONAL NUT | 4 | |
| 33 | B075595 | CROSS MEMBER ENGINE MTG REAR | 1 | |
| 34 | B075459 | FRT CROSS MEMBER ASSY. ENG. MTG. | 1 | |

PLATE-18
Engine Support

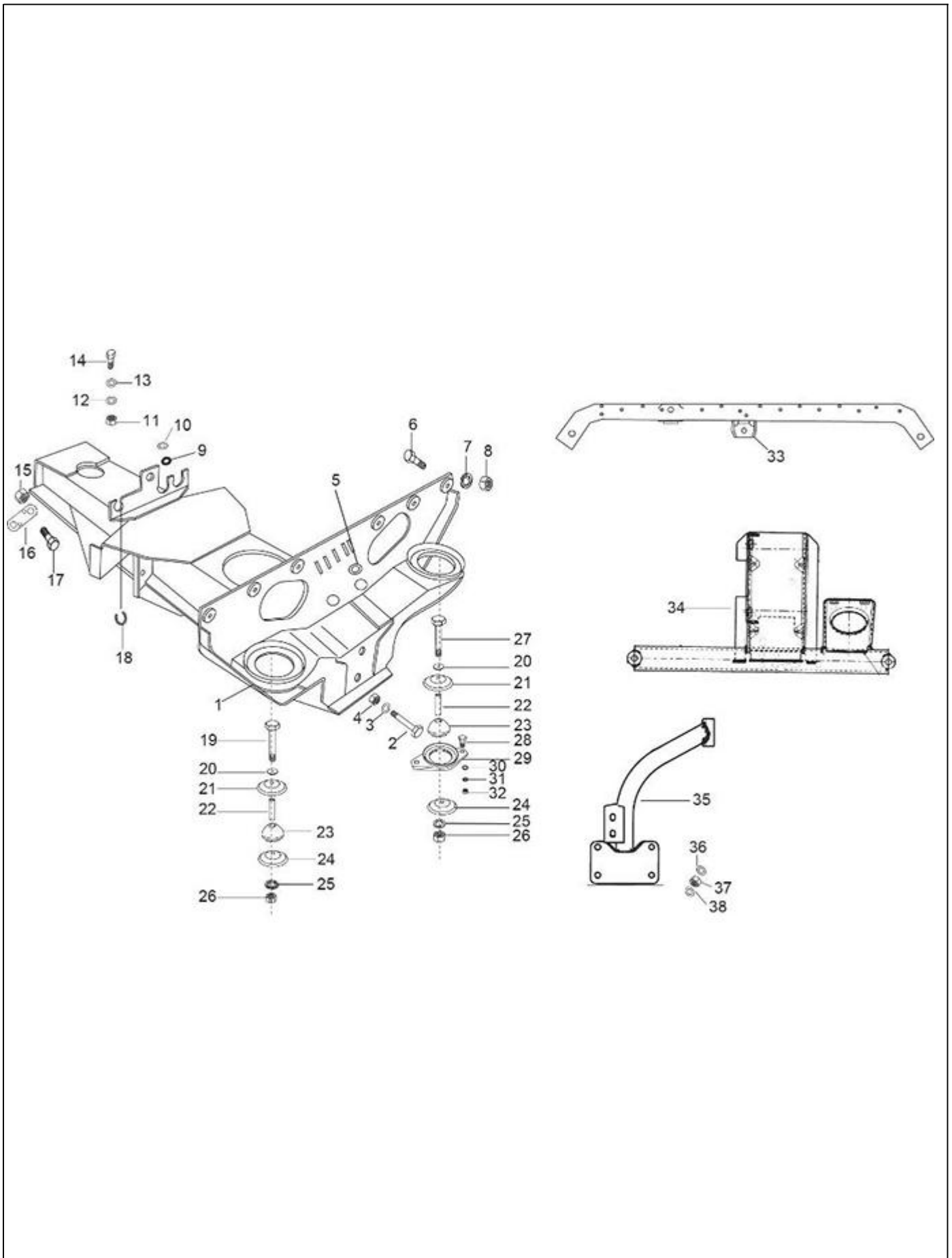


PLATE-18

Engine Support

| Fig. No. | Part No. | Description | Qty | Remarks |
|----------|----------|-----------------------------------|-----|---------|
| 35 | B075593 | BKT SUB ASSLY ENGINE SUPPORT REAR | 1 | |
| 36 | 286328 | PLAIN WASHER 20X10.2X2 | 2 | |
| 37 | 20110 | HEX NUT M10 | 4 | |
| 38 | 016410 | SPRING WASHER | 2 | |
| 39 | B076295 | PROTECTION BELLOW- GEAR CABLE | 1 | NI |

PLATE-19

Fuel Tank/Filter/Fuel Pipes

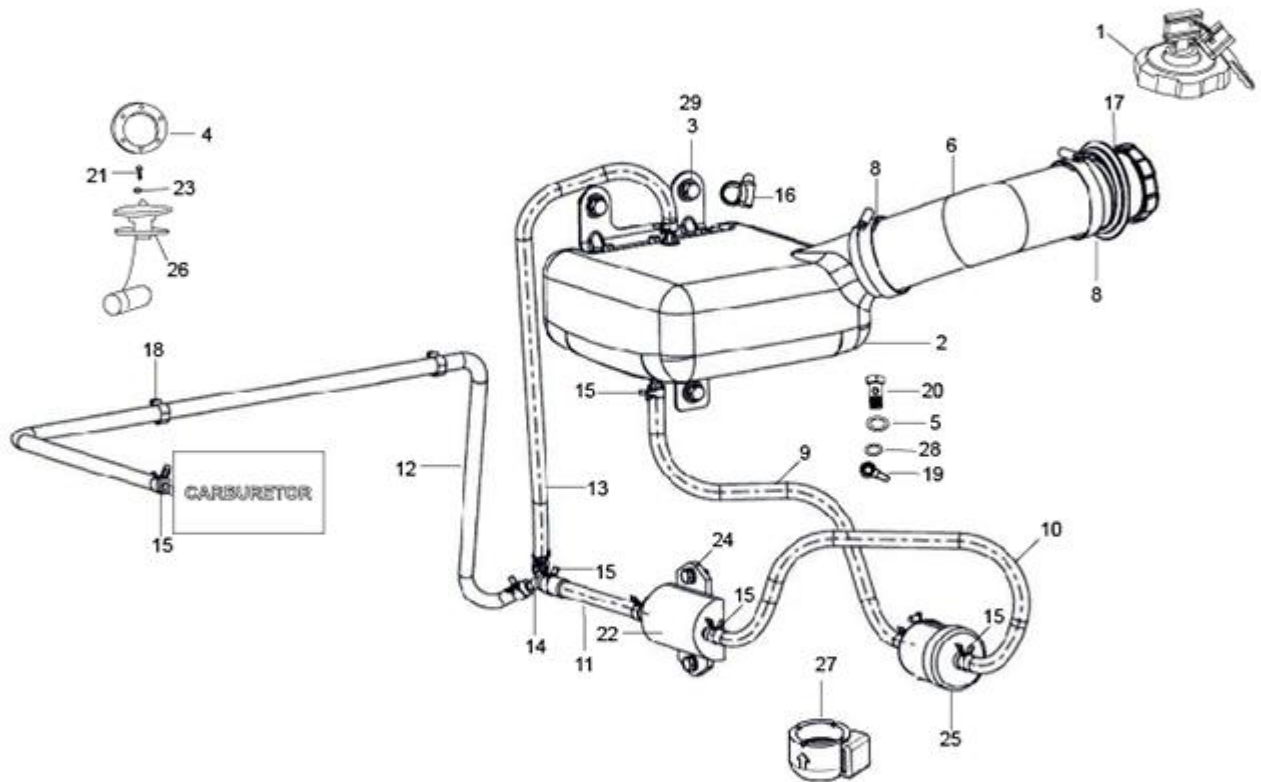


PLATE-19

Fuel Tank/Filter/Fuel Pipes

| Fig. No. | Part No. | Description | Qty | Remarks |
|----------|----------|--|-----|---------|
| 1 | B024168 | P.T.CAP ASSLY WITH KEY | 1 | |
| 2 | B073829 | FUEL TANK ASSY. -PETROL | 1 | |
| 2 | B042390 | FUEL TANK ASSY. PLASTIC (LPG/CNG) | 1 | |
| 3 | 003068 | PLAIN WASHER | 4 | |
| 4 | 652105 | RUBBER PACKING PRIMARY FUEL FILTER (PETROL & CNG/LPG) | 1 | |
| 5 | 013880 | PLAIN WASHER | 4 | |
| 6 | B075253 | NECK HOSE FUEL TANK | 1 | |
| 7 | B003115 | TUBE FUEL TANK FILLER ASSY | 1 | |
| 8 | 604756 | HOSE CLIP | 2 | |
| 9 | B076750 | FUEL TANK TO FUEL FILTER | 1 | CNG/LPG |
| 9 | B073835 | FUEL PIPE FUEL TANK TO FUEL FILTER | 1 | PTL |
| 10 | B073837 | FUEL PIPE FUEL FILTER TO FEED PUMP | 1 | PTL |
| 11 | B076749 | FUEL PIPE FEED PUMP TO Y- CONNECTOR | 1 | CNG/LPG |
| 12 | B024892 | Y CONT. TO CARBURETTOR - CNG/LPG | 1 | PTL |
| 12 | B076752 | FUEL PIPE - FUEL FILTER TO CARBURATOR- CNG/LPG | 1 | |
| 13 | B076753 | Y CONNECTOR TO FUEL ANK RETURN - CNG/LPG | 1 | |
| 13 | B076753 | Y CONNECTOR TO FUEL ANK RETURN - CNG/LPG | 1 | CNG/LPG |
| 14 | 644824 | THREE WAY 'Y' CONNECTOR - CNG/LPG | 1 | |
| 15 | 632109 | HOSE CLAMP BRAKE PIPE | 8 | |
| 16 | B003929 | FLY SPRING (CNG/LPG) | 2 | |
| 17 | B003115 | TUBE FUEL TANK FILLER ASSY | 1 | CNG/LPG |
| 18 | 109249 | CLAMP | 2 | |
| 19 | 604908 | BANJO | 1 | PTL |
| 20 | 604909 | BANJO BOLT (M14X1.5) | 1 | PTL |
| 21 | 31056 | HEX HEAD SCREW M5 X 12 CL. 8.8 | 6 | |
| 22 | B002630 | ELECTRICAL FEED PUMP CNG/LPG | 1 | |
| 23 | 16405 | SPRING WASHER M5 | 6 | |
| 24 | 31088 | HEX HD SCREW M6 X 16 CL 8.8 (811061623) | 2 | |
| 25 | 616738R | FUEL FILTER | 1 | |
| 26 | 567878R | TANK UNIT | 1 | |
| 27 | 652105 | RUBBER PACKING PRIMARY FUEL FILTER (PETROL & CNG/LPG) | 1 | |
| 28 | 217280 | SPRING WASHER M6 (PETROL & CNG/LPG) | 4 | |
| 29 | 31088 | HEX HD SCREW M6 X 16 CL 8.8 (811061623) | 4 | |
| 29 | B075790 | FUEL FILTER SUPPORT | 1 | |
| 30 | B075337 | FUEL PIPE-TANK TO SMALL FILTER-CITY PTL | 1 | PTI |

PLATE-20

Wind Shield/Glass/Beading

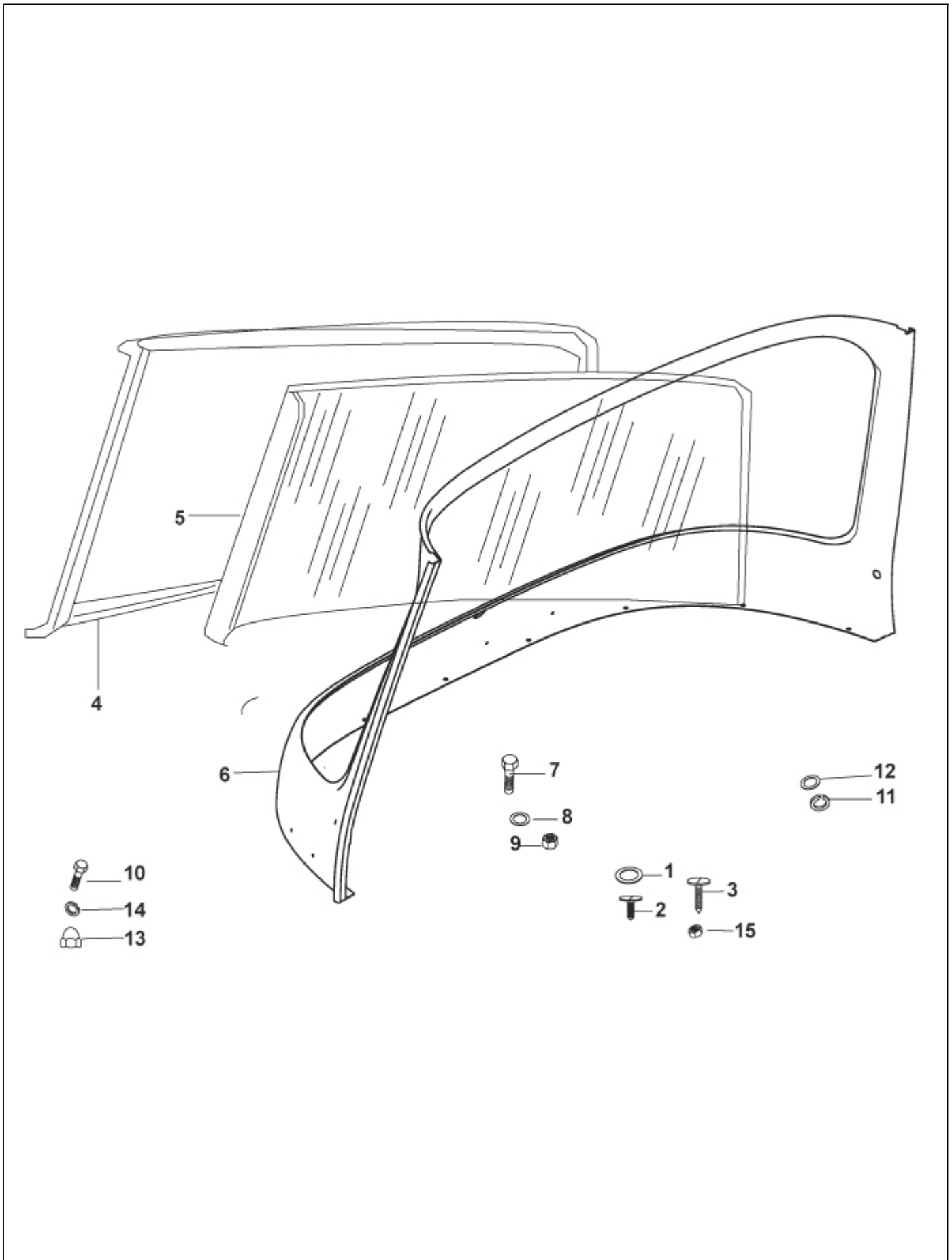


PLATE-20

Wind Shield/Glass/Beading

| Fig. No. | Part No. | Description | Qty | Remarks |
|----------|-----------|--|-----|---------------------|
| 1 | 16670 | PLAIN WASHER 12X4.5X1 | 2 | |
| 2 | 568692 | PAN SELF TAP SCREW 6SG X 16AB | 2 | |
| 3 | 18630 | PAN SELF TAP SCREW 6SG X 25AB | 2 | |
| 4 | 109012 | WIND SHIELD PACKING | 1 | |
| 5 | 587963 | LAMINATED WINDSHIELD GLASS | 1 | E - Marked (Export) |
| 6 | B076098ED | WINDSCREEN FRAME ASSLY - C/O 501 BSIV DSL | 1 | |
| 7 | B001386 | HEX HEAD SCREW M5X20 | 9 | |
| 8 | 16405 | SPRING WASHER M5 | 16 | |
| 9 | 020105 | HEXAGONAL NUT | 20 | |
| 10 | 30242 | SLOT CH. HD. SCREW | 8 | |
| 11 | 808000826 | PLAIN WASHER M8 | 2 | |
| 12 | 016408 | SPRING WASHER | 2 | |
| 13 | 568713 | DOME NUT | 8 | |
| 14 | 003055 | RAW WASHER(808000527) | 8 | |
| 15 | 20104 | HEX NUT M4 | 8 | |

PLATE-21
Chassis Frame & Seat

**Ape
Xtra X**

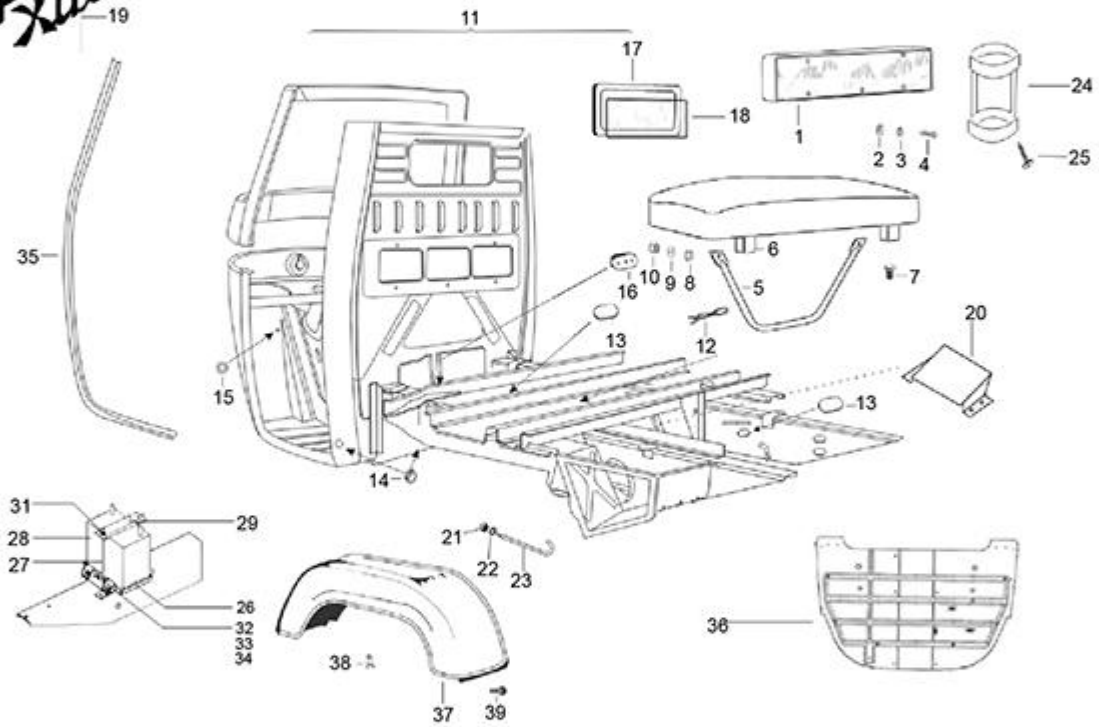


PLATE-21

Chassis Frame & Seat

| Fig. No. | Part No. | Description | Qty | Remarks |
|----------|-------------|---|-----|-----------------------|
| 1 | 644852 | DRIVER BACK REST (CARGO) (VE) | 1 | |
| 2 | 16405 | SPRING WASHER M5 | 4 | |
| 3 | 16603 | PLAIN WASHER (METALLIC) | 4 | |
| 4 | 604606 | HEX HD. SCREW M5X20 CL8.8 | 4 | |
| 5 | 567562 | SEAT SUPPORT PIPE (COMM) | 1 | |
| 5a | B008638 | SEAT SUPPORT PIPE (COMM) | 4 | STEP-2 BS3 HS LAM PTL |
| 6 | B076226 | DRIVER SEAT ASSLY (CARGO) (VE) | 1 | |
| 6a | B008637 | DRIVER SEAT ASSLY | 1 | STEP-2 BS3 HS LAM PTL |
| 7 | 31119 | HEX HD SCREW M8 X 25 | 2 | |
| 8 | 3058 | PLAIN WASHER 15X8.4X1.5 | 2 | |
| 9 | 16408 | SPRING WASHER M8 | 2 | |
| 10 | 20108 | HEX NUT M8 | 2 | |
| 11 | 6B000361EG | MAIN FRAME ASSLY APE CITY CARGO PETROL-EG | 1 | |
| 11 | 6B000361GY | MAIN FRAME ASSLY APE CITY CARGO PETROL-GY | 1 | |
| 11 | 6B000361CB | MAIN FRAME ASSLY APE CITY CARGO PETROL-CB | 1 | |
| 11 | 6B000361BW | MAIN FRAME ASSLY APE CITY CARGO PETROL-BW | 1 | |
| 11 | 6B000406EG | MAIN FRAME ASSLY APE CITY CARGO CNG BSIV-EG | 1 | |
| 11 | 6B000406ECO | MAIN FRAME ASSLY APE CITY CARGO CNG BSIV-CO | 1 | |
| 11 | 6B000406EGY | MAIN FRAME ASSLY APE CITY CARGO CNG BSIV-GY | 1 | |
| 11 | 6B000406CB | MAIN FRAME ASSLY APE CITY CARGO CNG BSIV-CB | 1 | |
| 11 | 6B000406BW | MAIN FRAME ASSLY APE CITY CARGO CNG BSIV-BW | 1 | |
| 11 | 6B000404EG | MAIN FRAME ASSLY APE CITY CARGO LPG BSIV-EG | 1 | |
| 11 | 6B000404CO | MAIN FRAME ASSLY APE CITY CARGO LPG BSIV-CO | 1 | |
| 11 | 6B000404GY | MAIN FRAME ASSLY APE CITY CARGO LPG BSIV-GY | 1 | |
| 11 | 6B000404CB | MAIN FRAME ASSLY APE CITY CARGO LPG BSIV-CB | 1 | |
| 11 | 6B000404BW | MAIN FRAME ASSLY APE CITY CARGO LPG BSIV-BW | 1 | |
| 12 | 568682 | FASTENER | 2 | |
| 13 | 109227 | PROTECTION GROMMET | 5 | |
| 14 | B002539 | GROMMET FOR DIA 7 HOLE ON DOME | 4 | |
| 15 | 568131 | PLUG DOME DIA. 21 MM - CAB BEHIND HL | 5 | |
| 16 | 568288 | PLUG CAB ROOF | 2 | |
| 17 | 604761 | PACKING SLIDING GLASS WINDOW | 1 | |
| 18 | 604751 | CABIN REAR WINDOW | 1 | |
| 19 | 6B000377 | STICKER APE CITY XTRA (FRONT PANEL) | 1 | |
| 19.1 | 6B000378 | STICKER CITY XTRA (SIDE PANEL) | 1 | |

PLATE-21
Chassis Frame & Seat

**Ape
Xtra X**

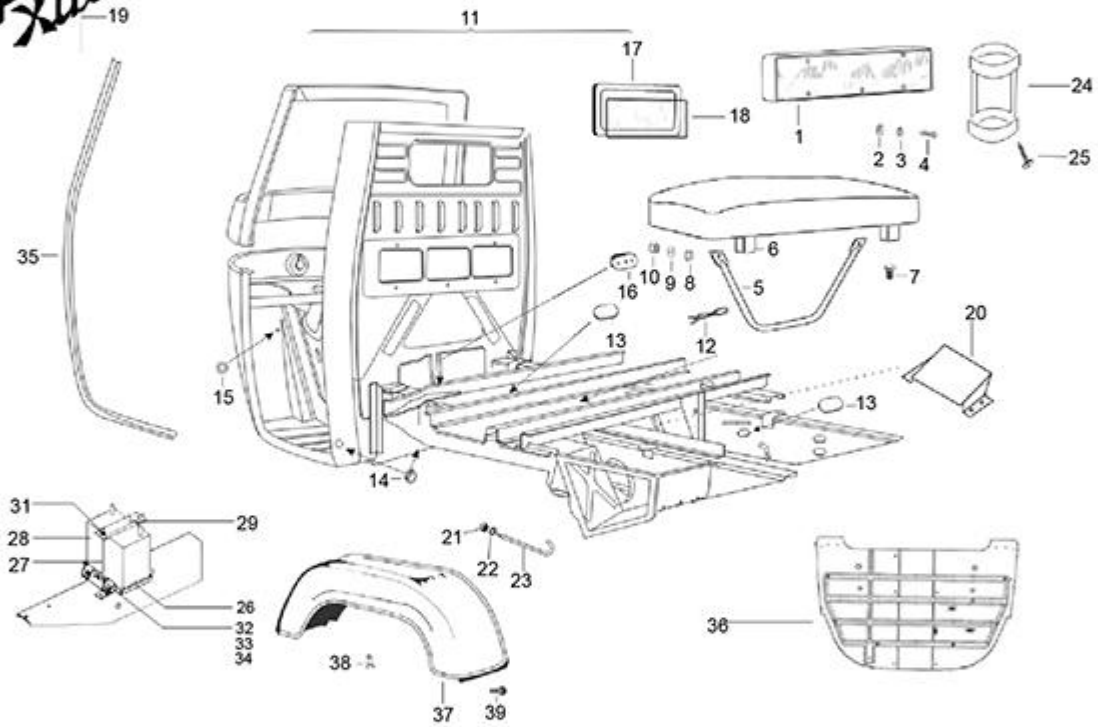


PLATE-21

Chassis Frame & Seat

| Fig. No. | Part No. | Description | Qty | Remarks |
|----------|----------|---------------------------------------|-----|---------|
| 20 | B042517 | AIR DEFLECTOR | 1 | |
| 21 | 20108 | HEX NUT M8 | 1 | |
| 22 | 3058 | PLAIN WASHER 15X8.4X1.5 | 1 | |
| 23 | 604954 | TENSION ROD | 1 | |
| 24 | 645141 | BOTTLE CARRIER STAND | 1 | |
| 25 | 660168 | PAN SELF TP. SCREW 10 SGX13AB | 2 | |
| 26 | 616649 | BATTERY TRAY | 1 | |
| 27 | 632508 | TENSION ROD ASSY. (BATTERY MOUNTING.) | 1 | |
| 28 | 652253R | BATTERY 12V-35AH | 1 | |
| 28 | B006544 | BATTERY 12V-35AH | 1 | P&C |
| 29 | B003978 | BATTERY HOLDING PLATE | 1 | |
| 30 | 20108 | HEX NUT M8 | 1 | |
| 31 | 3058 | PLAIN WASHER 15X8.4X1.5 | 1 | |
| 32 | 16408 | SPRING WASHER M8 | 1 | |
| 33 | 13861 | PLAIN WASHER 20X8.2X2.5 | 4 | |
| 34 | 31118 | SCREW M8X20 | 4 | |
| 35 | 632604 | GASKET FRONT DOOR OPENING | 1 | |
| 36 | 587905PC | CABIN FLOOR SUB-ASSY. | 1 | |
| 37 | B042612 | REAR MUDGUARD RH/LH | 2 | |

PLATE-22
Doors & Drivers Seat

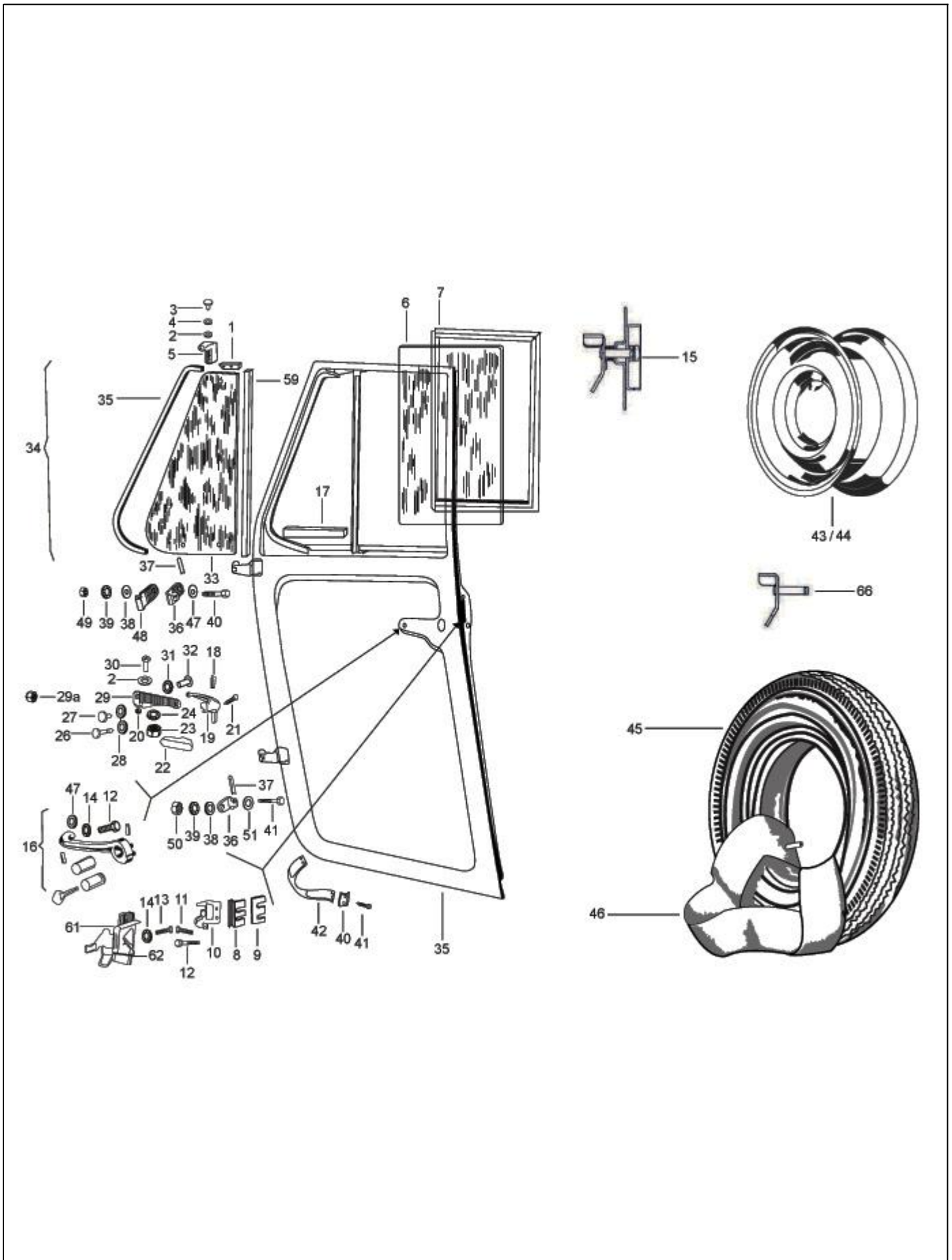


PLATE-22

Doors & Drivers Seat

| Fig. No. | Part No. | Description | Qty | Remarks |
|----------|----------|---|-----|---------------------|
| 1 | 163660 | DEFLECTOR PANE RABBET L.H. UPPER PACKING | 1 | |
| 2 | 97756 | METALLIC PLAIN WASHER | 4 | |
| 2 | 006965 | BENT SPRING WASHER 5,3X20X0,5 | 2 | |
| 3 | 005745 | RIVET DIA. 7MM | 2 | |
| 4 | 006078 | WASHER | 2 | |
| 5 | 108800 | UPPER CLAMP OF RIGHT AIR DEFLECTOR | 1 | |
| 5 | 152025 | UPPER CLAMP OF L.H. AIR REFLECTOR | 1 | |
| 6 | 163661 | FIXED GLASS FOR THE WINDOW | 2 | E - Marked (Export) |
| 7 | 163663 | GASKET, WINDOW GLASS | 2 | |
| 8 | 140603 | SECURITY LOCK CYLINDER (SHIM PLATE)1.0TH | 2 | |
| 9 | 193724 | PLATE(OPTION SHIM PLATE) | 2 | |
| 10 | 182663 | BLOCK COMPLETE OF COLLISION DOOR LOCK LH | 1 | |
| 10 | 182662 | BLOCK COMPLETE OF COLLISION DOOR LOCK RH | 1 | |
| 11 | 569156 | CSK SCREW (BLOCK CLOSING DOOR) | 2 | |
| 12 | 569157 | CSK SCREW (BLOCK CLOSING DOOR) | 2 | |
| 13 | 30242 | SLOT CH. HD. SCREW | 3 | |
| 14 | 12546 | PLAIN WASHER / MULTI TOOTH LOCK WASHER M5 | 8 | |
| 15 | 182660 | COMPLETE LOCK OF THE RH DOOR | 1 | |
| 15 | 182661 | LH SIDE LOCK COMPLETE | 1 | |
| 16 | B024733 | HANDLE WITH PUSH BUTTON LH WITH KEY | 1 | |
| 16 | B024734 | HANDLE WITH PUSH BUTTON RH WITH KEY | 1 | |
| 17 | 163659 | DEFLECTOR PANE RABBET LOWER GASKET | 2 | |
| 18 | 008808 | SPRING PIN 2.5 X 14 | 2 | |
| 19 | B003864 | DEFL CLOSING LEVER RH -(PLASTIC) | 1 | |
| 19 | B003865 | DEFL CLOSING LEVER LH (PLASTIC) | 1 | |
| 20 | 116971 | RUBBER GROMMET | 2 | |
| 21 | 015727 | SCREW | 2 | |
| 22 | 182654 | COLLISION FOR LEVER | 2 | |
| 23 | 97756 | METALLIC PLAIN WASHER | 2 | |
| 24 | 020108 | HEXAGONAL NUT | 2 | |
| 25 | 64263 | WINDOW FRICTION WASHER | 2 | |
| 26 | 604558 | PIVOT FOR LEVER FOR CLOSING DOORS | 2 | |
| 27 | 108804 | SCREW WITH WIDE HEAD (MALE) | 4 | |
| 28 | 13935 | WASHER | 2 | |
| 29 | 108801 | LOWER BKT.FOR CONNECTING R.H.DEFLECTOR | 1 | |

PLATE-22
Doors & Drivers Seat

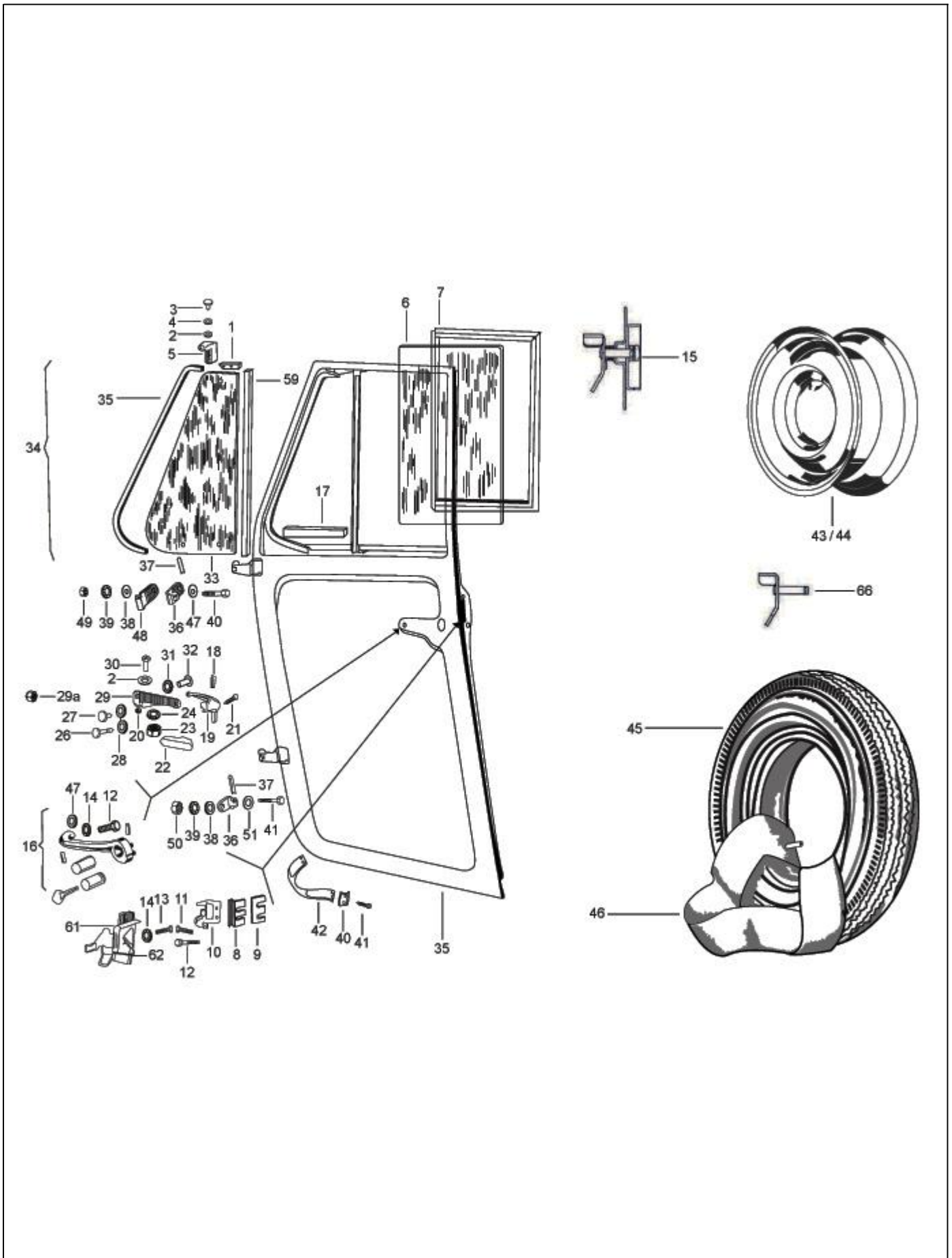


PLATE-22

Doors & Drivers Seat

| Fig. No. | Part No. | Description | Qty | Remarks |
|----------|----------|---|-----|-----------------------|
| 30 | 109263 | LOWER BKT.FOR CONNECTION L.H. DEFLECTOR | 1 | |
| 31 | 12136 | NUT / NYLOCK NUT M5 | 2 | |
| 32 | 031058 | HEXAGONAL HEAD SCREW (M5X16) | 2 | |
| 33 | 163665 | GLASS, VENT | 2 | |
| 34 | 163666 | R.H. VENT WINDOW ASSY. | 1 | E - Marked (Export) |
| 34 | 163667 | L.H.VENT WINDOW ASSY. WITH ATTACHMENTS | 1 | E - Marked (Export) |
| 35 | B002847 | RH DOOR SUB ASSLY (CED) | 1 | |
| 35 | B002848 | LH DOOR SUB ASSLY (CED) | 1 | |
| 36 | 632238 | DOOR HINGE ASSLY UPPER | 4 | |
| 37 | 008847 | SPRING PIN 6X64 | 4 | |
| 38 | 13812 | METALLIC PLAIN WASHER | 2 | |
| 39 | 13861 | PLAIN WASHER 20X8.2X2.5 | 2 | |
| 41 | 12540 | SPRING WASHER M8 | 4 | |
| 40 | 008451 | PAN SELF TP SCREW 6 SGX13 AB | 8 | |
| 42 | 568148R | STOP BELT FOR DOOR | 1 | |
| 43 | B074588R | WHEEL RIM ASSLY INNER - PAINTED | 1 | |
| 44 | B074590R | WHEEL RIM OUTER - PAINTED | 1 | |
| 45 | B001315 | TYRE (4.0 X 8,4 PR) | 1 | |
| 45A | B042878 | TRIPLE PLUS TYRE- 4X8 4PR (E-MARK) | 1 | STEP-2 BS3 HS LAM PTL |
| 46 | B001316 | INNER TUBE FOR TYRE 4.0 X 8 INCH | 4 | |
| 47 | 6018 | PL. WASHER | 2 | |
| 48 | 605389 | HINGE | 1 | |
| 49 | 20108 | HEX NUT M8 | 2 | |

PLATE-23

Inner Parts Of Cabin

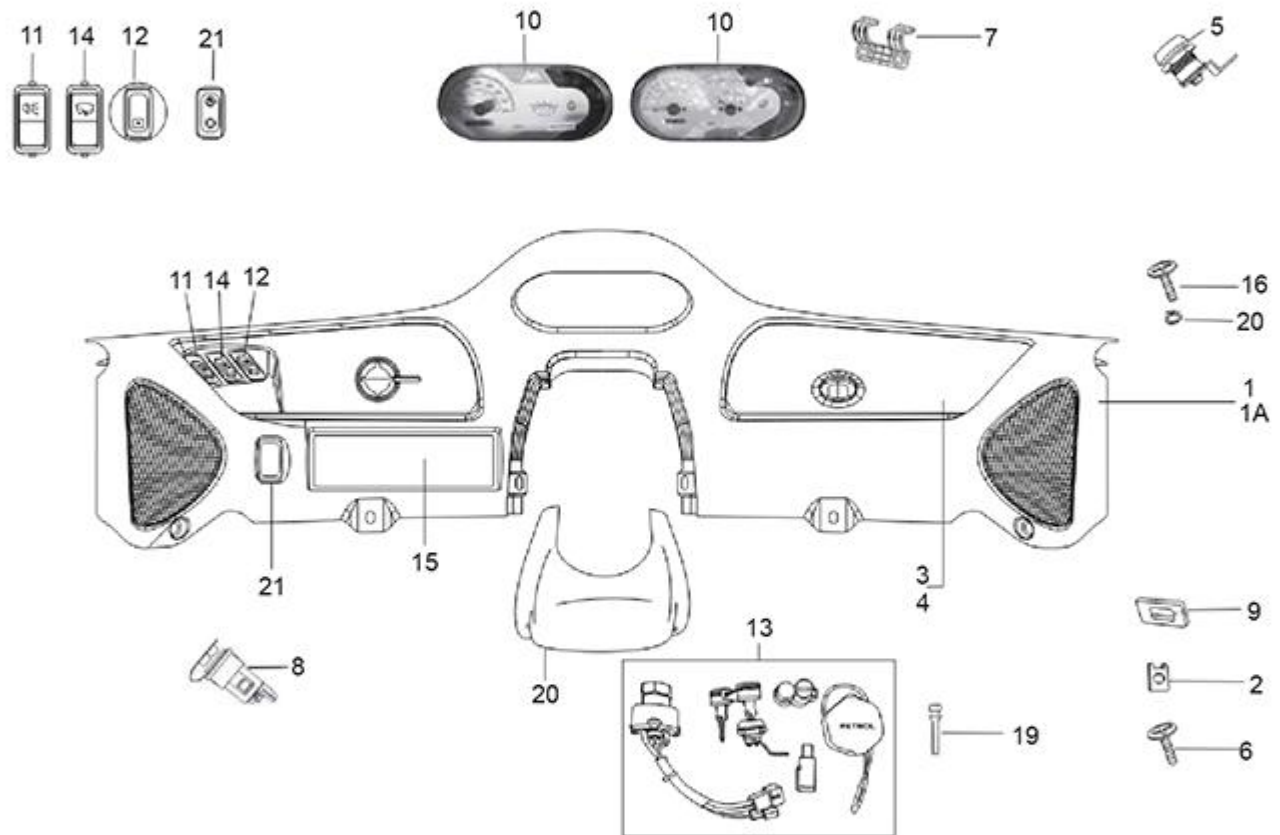


PLATE-23

Inner Parts Of Cabin

| Fig. No. | Part No. | Description | Qty | Remarks |
|----------|----------|--|-----|---------|
| 1 | B077469 | DASHBOARD ASSLY COMPLETE(PET) | 1 | |
| 1 | B077470 | DASH BOARD ASSY. (LPG / CNG) | 1 | |
| 1A | B076164 | DASHBOARD WITH GLOVE BOX COVER SUB ASSLY | 1 | |
| 2 | 008080 | SPRING PLATE | 4 | |
| 3 | B073810 | GLOVE BOX COVER | 1 | |
| 4 | 568671 | GASKET - GLOW BOX COVER (N.I.) | 4 | |
| 5 | B024169 | GLOVE BOX LOCK WITH KEY | 1 | |
| 6 | 660168 | PAN SELF TP. SCREW 10 SGX13AB | 4 | |
| 7 | B073814 | HINGE | 1 | |
| 8 | B074905 | MOBILE CHARGER | 1 | |
| 9 | 643691 | BOLT LOCK PLATE | 1 | |
| 10 | B074216 | INSTR. CLUSTER (PETROL) | 1 | |
| 10 | B075703 | INSTR. CLUSTER (CNG/LPG) | 1 | |
| 11 | B073478 | SWITCH 3 POSITION | 1 | |
| 12 | B073481 | HAZARD WARNING SWITCH WITH CROWN CAP (12V)(VE) | 1 | |
| 13 | B075255 | LOCK SET | 1 | |
| 14 | B073479 | WIPER MOTOR SWITCH/ SWITCH WIPER MOTOR | 1 | |
| 15 | B073812 | UTILITY BOX | 1 | |
| 16 | B023976 | CSK PHILIPS HEAD SCREW M5X15 | 8 | |
| 17 | B074262 | PIN | 2 | |
| 18 | 006078 | WASHER | 8 | |
| 19 | B074275 | RUBBER DAMPER | 2 | |
| 20 | B073811 | STEERING COLUMN COVER | 1 | |
| 21 | B075732 | FUEL CHANGE OVER SWITCH | 1 | |

PLATE-24
Rear Suspension

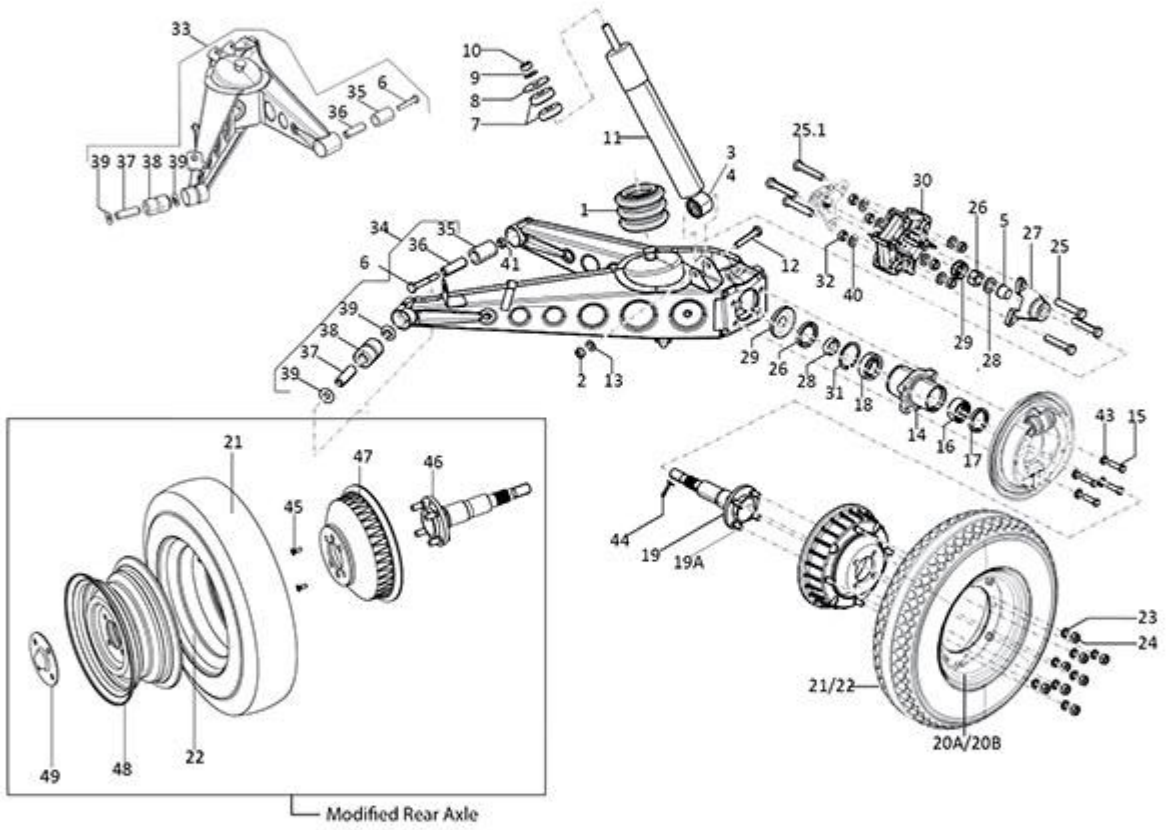


PLATE-24

Rear Suspension

| Fig. No. | Part No. | Description | Qty | Remarks |
|----------|----------|---|-----|-----------------------|
| 1 | B076290 | RUBBER BUMPER | 2 | |
| 2 | 231370 | SELF BREAKING NUT M10 | 2 | |
| 3 | 157103 | BUSH - SHOCK ABSORBER | 2 | |
| 4 | 107827 | SPACER | 1 | |
| 5 | 128633 | CONE | 1 | |
| 6 | 643741 | HEX HDD BOLT M10 X 80 CL 12.9 | 4 | |
| 7 | 157103 | BUSH - SHOCK ABSORBER | 4 | |
| 8 | 006066 | PL WASHER 10.5X38X9 | 2 | |
| 9 | 016410 | SPRING WASHER | 2 | |
| 10 | 20110 | HEX NUT M10 | 2 | |
| 11 | 136451 | SHOCK ABSORBER REAR | 2 | |
| 12 | 267068 | HEX HEAD BOLT M10 X 60 CC 10.9 | 2 | |
| 13 | 286328 | PLAIN WASHER 20X10.2X2 | 2 | |
| 14 | B002344 | REAR WHEEL HUB | 2 | |
| 15 | B002486 | BOLT M8 X 35 6G CL 12.9 | 8 | |
| 16 | 661282 | NEEDLE ROLLER BEARING | 2 | |
| 17 | 20359 | SEAL RING | 2 | |
| 18 | 243303R | DEEP GROVE BALL BRG-RR WH AXLE | 2 | |
| 19 | B024374 | REAR AXLE COMPLETE (APE CITY) | 2 | |
| 19A | B001319 | BOLT FOR AXLE | 4 | |
| 19B | B077458 | REAR AXLE COMPLETE | 2 | STEP-2 BS3 HS LAM PTL |
| 20A | B074588R | WHEEL RIM ASSLY INNER - PAINTED | 1 | |
| 20B | B074590R | WHEEL RIM OUTER - PAINTED | 1 | |
| 21 | B001317 | TYRE & TUBE ASSEMBLY | 4 | |
| 22 | B001316 | INNER TUBE FOR TYRE 4.0 X 8 INCH | 4 | |
| 23 | 16410 | SPRING WASHER | 12 | |
| 24 | 20110 | HEX NUT M10 | 12 | |
| 25 | 15594 | HEX HDD BOLT M10 X 35 | 12 | |
| 26 | 21118 | HEX NUT M18 X 1.5P | 2 | |
| 27 | 587617 | ELASTIC JOINT CONNECTION HUB (WHL - SIDE) | 2 | |
| 28 | 661267 | RING | 2 | |
| 29 | 109892 | PROTECTION CUP RR HUB | 2 | |
| 30 | 604535 | FLEXIBLE COUPLING | 2 | |
| 31 | 6650 | CIRCLIP DIA 50 (INT) | 2 | |
| 32 | 231370 | SELF BREAKING NUT M10 | 12 | |

PLATE-24
Rear Suspension

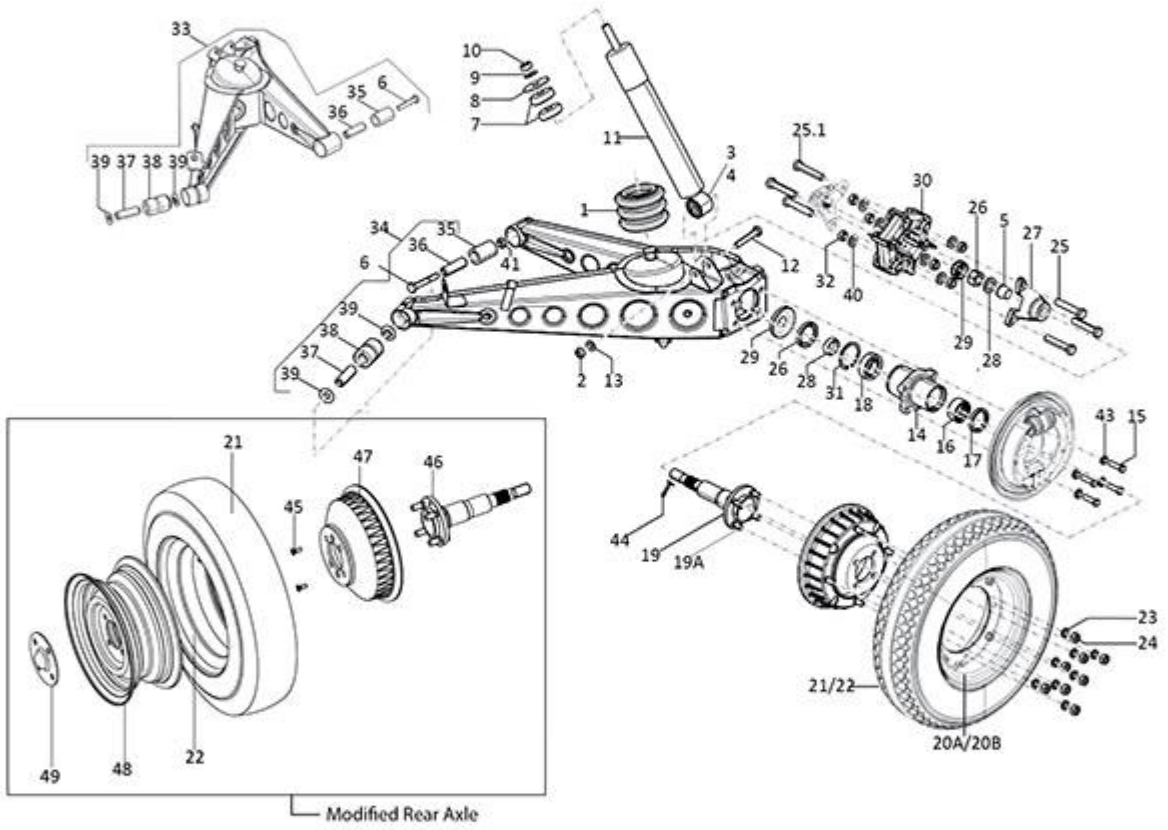


PLATE-24

Rear Suspension

| Fig. No. | Part No. | Description | Qty | Remarks |
|----------|-----------|---|-----|----------|
| 33 | B075807 | ARM SUB ASSY. LH - REAR SUSPENSION | 1 | |
| 34 | B075808 | ARM SUB ASSY. RH - REAR SUSPENSION | 1 | |
| 35 | 226662 | RING FOR ELASTIC SUPPORT | 2 | |
| 36 | 226661 | INTERNAL BUSH | 2 | |
| 37 | 267065 | SPACER FRONT | 2 | |
| 38 | 226596 | BUSH FRONT RING FOR ELASTIC SUPPORT | 2 | |
| 39 | 661266 | SHOULDER WASHER | 4 | |
| 40 | 237246 | SHIM WASHER 20X10.2X1 | 12 | |
| 41 | 231370 | SELF BREAKING NUT M10 | 4 | |
| 42 | 3068 | PLAIN WASHER | 1 | |
| 43 | 16408 | SPRING WASHER M8 | 8 | |
| 44 | 12790 | SPLIT PIN | 2 | |
| 45 | 812061656 | CSK PHILIPS HEAD SCREW M6 X 16 | 4 | Modified |
| 46 | B077458 | REAR AXLE COMPLETE | 2 | Modified |
| 47 | B077245 | BRAKE DRUM (CAST IRON) | 2 | Modified |
| 48 | B077976 | WHEEL RIM ASSEMBLY - TUBELESS (KLASSIC) | 2 | Modified |
| 49 | B077481 | WHEEL CAP | 2 | Modified |

PLATE-25

Steering Column And Front Suspension

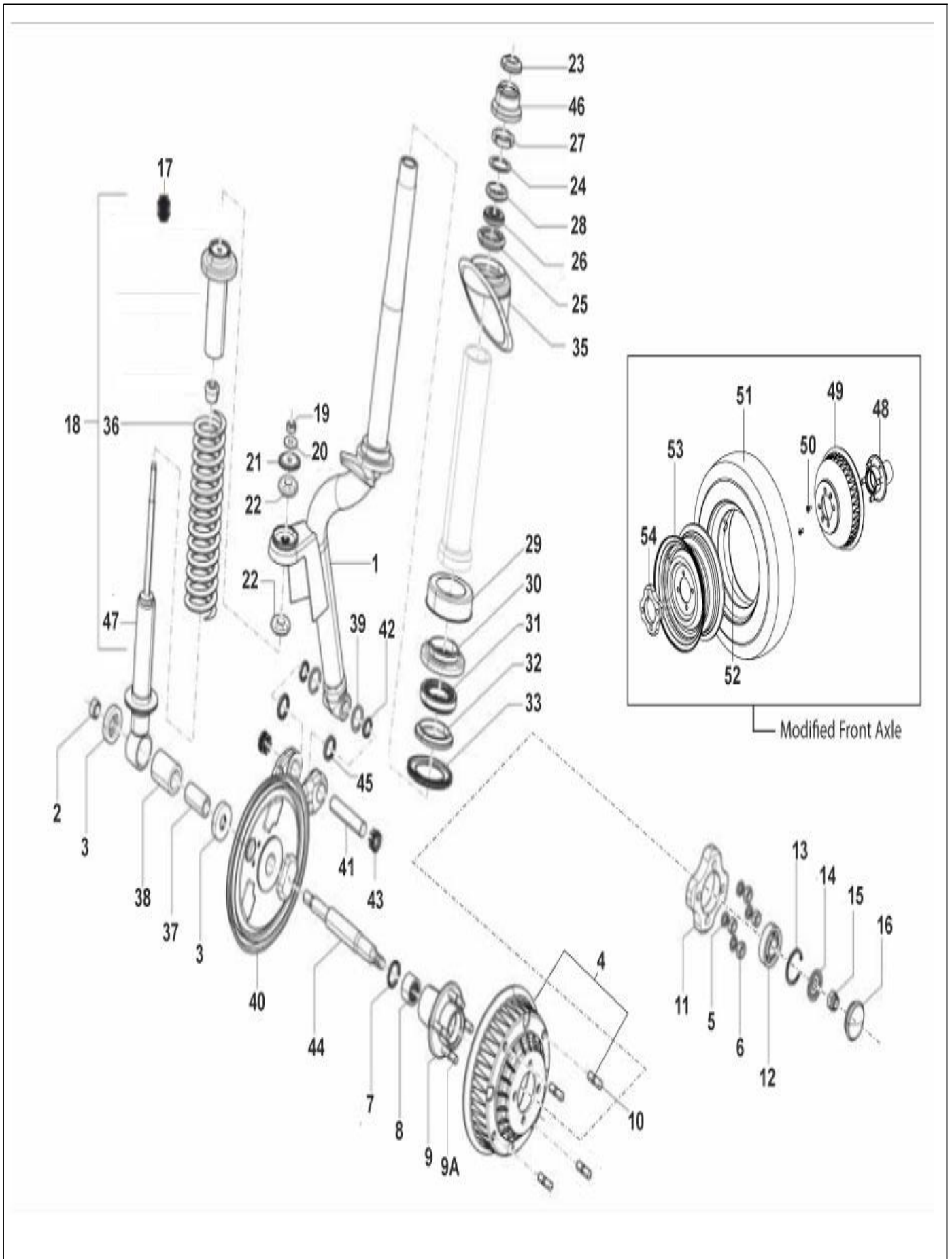


PLATE-25

Steering Column And Front Suspension

| Fig. No. | Part No. | Description | Qty | Remarks |
|----------|-----------|--|-----|---------|
| 1 | B073667SP | STEERING COLUMN ASSLY (NRB)-PAX UPGR SPD | 1 | |
| 1 | B075694 | STEERING COLUMN WITH IP | 1 | |
| 2 | 568095 | NYLOCK NUT | 1 | |
| 3 | 87067 | PLAIN WASHER 30.5X14.3X2 | 1 | |
| 4 | B042438 | BRAKE DRUM ASSY. COMPLETE | 1 | |
| 5 | 016410 | SPRING WASHER | 4 | |
| 6 | 20110 | HEX NUT M10 | 4 | |
| 7 | 136434 | OIL SEAL | 1 | |
| 8 | 125289 | NEEDLE BEARING, CRANKASE, FRONT WHEEL | 1 | |
| 9 | B001302 | FRONT HUB ASSLY. | 1 | |
| 9A | B001301 | BOLT FRONT HUB. | 4 | |
| 10 | B001323 | STUD M10 - BRAKE DRUM | 4 | |
| 11 | B041181 | SPACER DISC FRONT WHEEL MTG (ALUMIN) | 1 | |
| 12 | 30209R | BALL BEARING FRONT WHEEL HUB | 1 | |
| 13 | 567473 | CIRCLIP DIA. 42 INT. (841004203) | 1 | |
| 14 | 180431 | COIN WASHER | 1 | |
| 15 | 74521 | NUT M14 X 1.5 | 1 | |
| 16 | 107871 | CAP | 1 | |
| 17 | 75708 | SILENT BLOCK | 1 | |
| 18 | B073690 | FRONT SHOCK ABSORBER | 1 | |
| 19 | 21110 | HEX UT M10 X 1.25 P ASSY. | 1 | |
| 20 | 016410 | SPRING WASHER | 10 | |
| 21 | 006066 | PL WASHER 10.5X38X9 | 1 | |
| 22 | 107826 | RUBBER BUSH/BUFFER FOR COUPLING SHOCK ABSORBE | 2 | NS |
| 23 | 604758 | PROTECTION | 1 | |
| 24 | 108873 | STOP WASHER FOR HOLDING | 1 | |
| 25 | 567990 | BEARING RACE UPPER BOTTOM | 1 | |
| 26 | 567991 | BEARING RACE UPPER TOP | 1 | |
| 27 | 108874 | SECURING RING NUT | 1 | |
| 28 | 662423 | SOLID OIL BALL CAGE (UPPER) 7105 | 1 | |
| 29 | 109064 | DUST COVER | 1 | |
| 30 | 567992 | BEARING RACE LOWER TOP | 1 | |
| 31 | 662422 | SOLID OIL BALL CAGE (LOWER) 7104 | 1 | |
| 32 | 567993 | BEARING RACE LOWER BOTTOM | 1 | |
| 33 | 109066 | WASHER WITH PROTECTION FOR BEARING | 1 | |

PLATE-25
Steering Column And Front Suspension

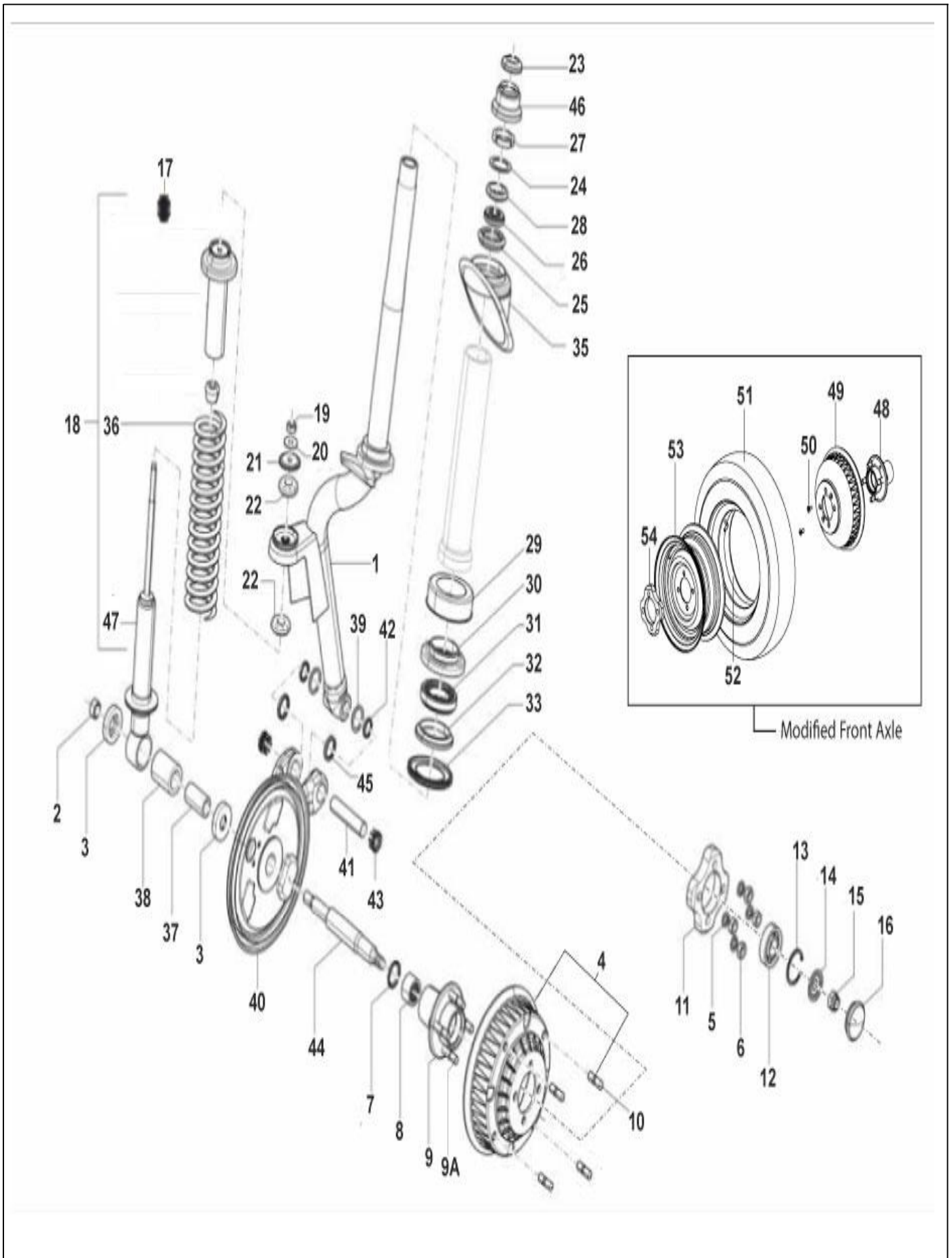


PLATE-25

Steering Column And Front Suspension

| Fig. No. | Part No. | Description | Qty | Remarks |
|----------|-----------|---|-----|----------|
| 34 | 604759 | RUBBER CAP STEERING COLUMN (N.I.) | 4 | |
| 35 | 109265 | SPLASH GUARD DUST COVER | 1 | |
| 36 | 940066 | SPRING SHOCK ABSORBER-UG / RING | 1 | |
| 37 | 109117 | RUBBER BUSH (FRT SHOCK ABSORBER) / RING | 1 | |
| 38 | 566545 | RUBBER BUSH (FRT SHOCK ABSORBER) - MODIFIED | 1 | |
| 39 | 006733 | O RING | 2 | |
| 40 | B024113 | FRONT BRAKE ASSY. | 1 | |
| 41 | 137235 | STEERING PIN | 1 | |
| 42 | 008771 | OIL SEAL (18-24-4) | 2 | |
| 43 | 107718 | ROLLER BUSH | 2 | |
| 44 | 643772R | FRONT WHEEL AXLE | 1 | |
| 45 | 150579 | RING FOR HOLDING TYPE J F101 17A | 2 | |
| 46 | 604758 | PROTECTION | 1 | |
| 47 | 940065 | SHOCK ABSORBER W/O SPRING | 1 | |
| 48 | B077465 | FRONT HUB S/A | 1 | Modified |
| 49 | B077245 | BRAKE DRUM (CAST IRON) | 1 | Modified |
| 50 | 812061656 | CSK PHILIPS HEAD SCREW M6 X 16 | 2 | Modified |
| 51 | B001315 | TYRE (4.0 X 8,4 PR) | 1 | Modified |
| 52 | B001316 | INNER TUBE FOR TYRE 4.0 X 8 INCH | 1 | Modified |
| 53 | B077976 | WHEEL RIM ASSEMBLY - TUBELESS (KLASSIC) | 1 | Modified |
| 54 | B077461 | SPACER DISC FRONT WHEEL MTG (ALUMIN.) | 1 | Modified |

PLATE-26

Handle Bar And Control

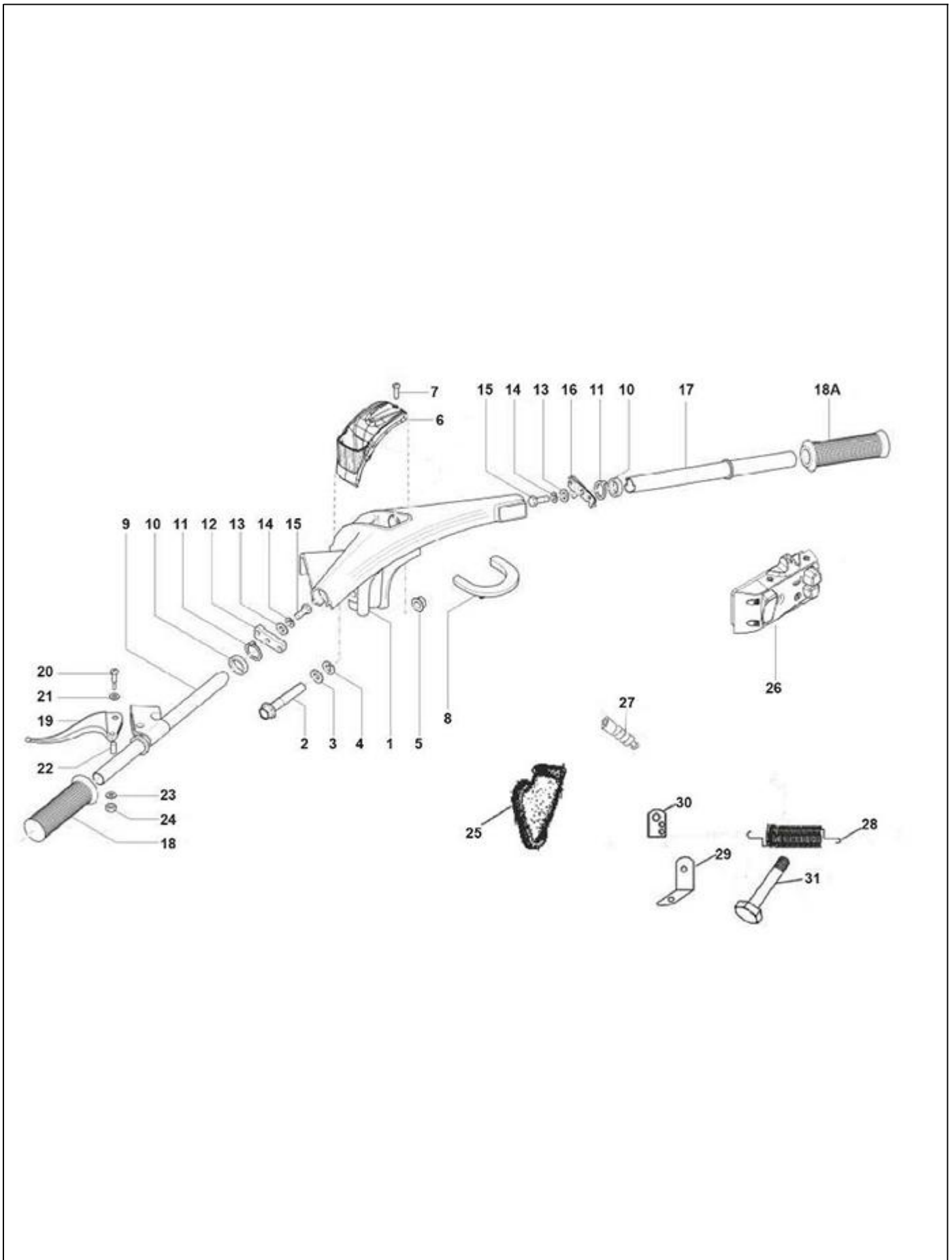


PLATE-26

Handle Bar And Control

| Fig. No. | Part No. | Description | Qty | Remarks |
|----------|-----------|--------------------------------|-----|-------------------|
| 1 | B075687ED | HANDLE BAR BODY-ED | 1 | |
| 2 | 30104 | MOUNTING BOLT M10 X 75 | 1 | |
| 3 | 16626 | PLAIN WASHER (18X10.5X2) | 2 | |
| 4 | 016410 | SPRING WASHER | 1 | |
| 5 | 21110 | HEX UT M10 X 1.25 P ASSY. | 1 | |
| 6 | B041600 | HANDLE BAR COVER | 1 | |
| 7 | 632158 | CSK HEAD SCREW | 1 | |
| 8 | 126902 | PROTECTION COLLAR CABLE | 1 | |
| 9 | 127451 | TUBE WITH TERMINAL S/A | 1 | |
| 10 | 109404 | WASHER OF RABBET(41737) | 1 | |
| 11 | 60565 | SPRING WASHER | 1 | |
| 12 | 109775 | GEAR CONTROL LEVER S/A | 1 | |
| 13 | 003055 | RAW WASHER(808000527) | 2 | |
| 14 | 016406 | SPRING WASHER | 2 | |
| 15 | 31089 | HEX HEAD SCREW M6X18 CL 8.8 | 2 | |
| 16 | 109635 | THROTTLE CONTROL LEVER WITH IP | 1 | |
| 17 | 587902 | ACCELERATOR TUBE ASSY. | 1 | |
| 18 | 141925 | HANDLE | 2 | |
| 19 | 1E002770 | LEVER CLUTCH CONTROL | 1 | ECN: 500000253294 |
| 20 | 15618 | SLT PAN HD SCREW | 1 | |
| 21 | 16319 | BENT SPRING WASHER | 1 | |
| 22 | 125181 | SPACER | 1 | |
| 23 | 16620 | PLAIN WASHER | 1 | |
| 24 | 12138 | NYLOCK NUT M6 | 1 | |
| 25 | 109227 | PROTECTION GROMMET | 1 | |
| 26 | B073850 | HANDLE BAR SWITCH | 1 | |
| 27 | 109227 | PROTECTION GROMMET | 2 | |
| 28 | B006853 | SPRING HANDLE BAR | 1 | |
| 29 | B074498 | BRACKET | 1 | |
| 30 | B074040 | PLATE SPRING MTG. HANDLE BAR | 1 | |
| 31 | 30104 | MOUNTING BOLT M10 X 75 | 1 | |

PLATE-27

Brake - Tandem Master Cylinder ,Brake Pipe And Hand Brakes

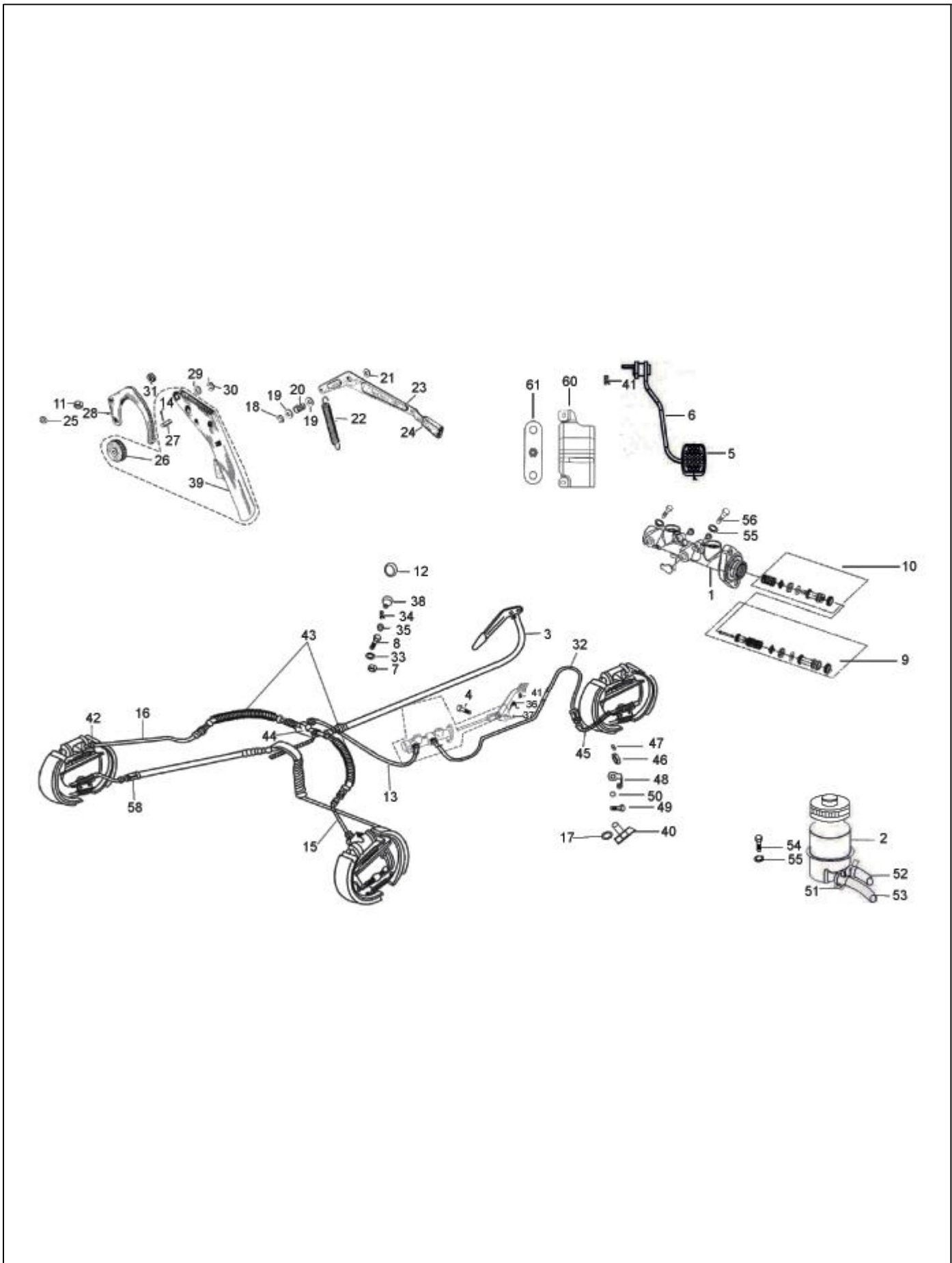


PLATE-27

Brake -Tandem Master Cylinder ,Brake Pipe And Hand Brakes

| Fig. No. | Part No. | Description | Qty | Remarks |
|----------|-----------|---|-----|-----------------------|
| 1 | B042396 | TANDEM MASTER CYLINDER ASSLY WITH RESERVIOR | 1 | |
| 2 | 604877 | BRAKE OIL TANK | 1 | |
| 3 | B041774 | PARKING BRAKE CABLE ASSY | 1 | |
| 4 | 652001 | PIN | 1 | |
| 5 | 567461 | RUBBER PROTECTION FOR PEDAL | 1 | |
| 6 | B075492 | BRAKE PEDAL WITH FOOT REST ASSLY | 2 | |
| 6A | 604760 | BRAKE PEDAL WITH FOOT REST ASSLY | 2 | STEP-2 BS3 HS LAM PTL |
| 7 | 020108 | HEXAGONAL NUT | 2 | |
| 8 | 812061656 | CSK PHILIPS HEAD SCREW M6 X 16 | 2 | |
| 9 | B042976 | MAJOR KIT TMC (KBX 1008) | 1 | |
| 10 | B042977 | MINOR KIT TMC (KBX 1009) | 1 | |
| 11 | 20106 | HEX NUT M6 | 2 | |
| 12 | B042693 | CUP RETAINING SPRING (SPLIT TYPE) | 2 | |
| 13 | B042599 | BRAKE TUBE FOR REAR WHEEL | 1 | |
| 14 | 567920 | SPLIT PIN | 3 | |
| 15 | B041161 | BRAKE-PUMP TUBE OF LEFT REAR WHEEL | 1 | |
| 16 | B041160 | BRAKE-PUMP TUBE OF RIGHT REAR WHEEL | 1 | |
| 17 | 3055 | RAW WASHER(808000527) | 1 | |
| 18 | 5969 | CIRCLIP DIA 9 E TYPE | 1 | |
| 19 | 6173 | METALLIC PLAIN WASHER (808001026) | 2 | |
| 20 | 108785 | SPRING | 1 | |
| 21 | B042317 | SPACER-RC LEVER | 1 | |
| 22 | 567690 | REVERSE GEAR COUPLING SPRING | 1 | |
| 23 | 125411 | BACKING COMMAND LEVER | 1 | |
| 24 | 604717 | KNOB FOR R.C. | 1 | |
| 25 | 16406 | SPRING WASHER | 2 | |
| 26 | 567898 | PULLEY FOR HAND BRAKE | 1 | |
| 27 | 567899 | CLEVIS PIN | 1 | |
| 28 | B042794 | RATCHET , HAND BRAKE CONTROL | 1 | |
| 29 | 16408 | SPRING WASHER M8 | 1 | |
| 30 | 6411 | EXT CIRCLIP DIA 11 | 1 | |
| 31 | 20108 | HEX NUT M8 | 1 | |
| 32 | 568161 | TUBE BETWEEN TMC & FRT WHEEL | 1 | |
| 33 | 16408 | SPRING WASHER M8 | 2 | |
| 34 | 567920 | SPLIT PIN | 1 | |

PLATE-27

Brake - Tandem Master Cylinder ,Brake Pipe And Hand Brakes

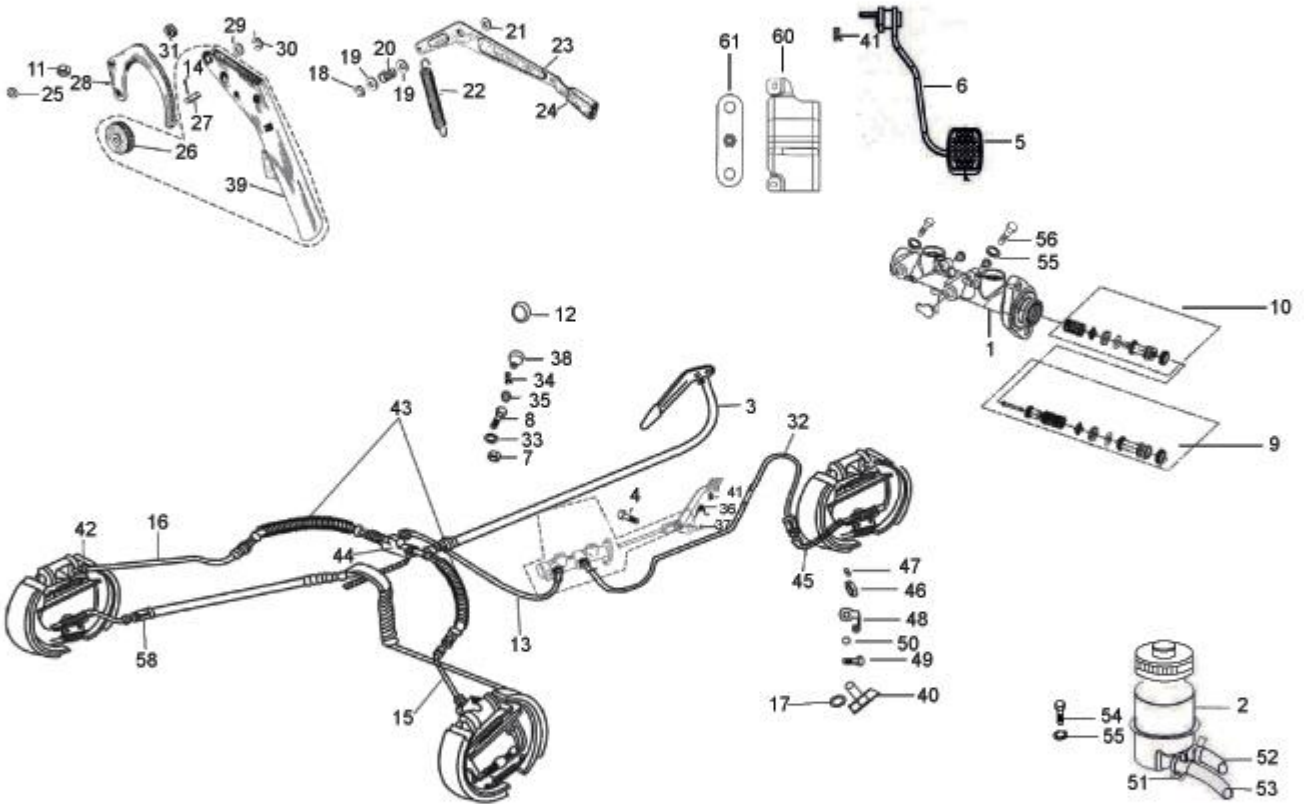


PLATE-27

Brake -Tandem Master Cylinder ,Brake Pipe And Hand Brakes

| Fig. No. | Part No. | Description | Qty | Remarks |
|----------|----------|--|-----|---------|
| 35 | 3058 | PLAIN WASHER 15X8.4X1.5 | 1 | |
| 36 | 587928 | FOOT BRAKE PEDAL SPRING | 1 | |
| 37 | 229524 | WASHER 21X14.3X2 | 1 | |
| 38 | 138237 | CAP | 1 | |
| 39 | 567746 | HAND BRAKE CONTROL ASSLY | 1 | |
| 40 | 632056 | HEX NUT M6 | 1 | |
| 41 | 568737 | SPLIT PIN 4 X 25 (821 0425 2 2) | 2 | |
| 42 | 136916 | PLATE FOR RETAINING THE BRAKE FLEX. PIPE | 3 | |
| 43 | 644814 | FLEXIBLE PIPING FOR REAR WHEEL BRAKE | 2 | |
| 43 | B023786 | BRAKE HOSE RR, FLEXIBLE PIPE | 2 | |
| 44 | 643692 | THREE WAY UNION | 1 | |
| 45 | 587624 | BRAKE OIL HOSE | 1 | |
| 46 | 21216 | HEX NUT M16 X 1.5 | 1 | |
| 47 | 48197 | PL WASHER 24X16X1.5 | 13 | |
| 48 | B003228 | LOCK PLATE FRONT BRAKE HOSE | 1 | |
| 49 | 587829 | BENJO BOLT | 1 | |
| 50 | 612455 | COPPER WASHER M10 | 1 | |
| 51 | B075838 | CLAMP | 2 | |
| 52 | B075488 | TUBE NO-1-BRAKE OIL TANK TO TMC | 1 | |
| 53 | B075489 | TUBE NO-2 -BRAKE OIL TANK TO TMC | 1 | |
| 54 | B074999 | HEX BOLT | 2 | |
| 55 | 13880 | METALIC PLAIN WASHER | 4 | |

PLATE-28
Electrical Devices

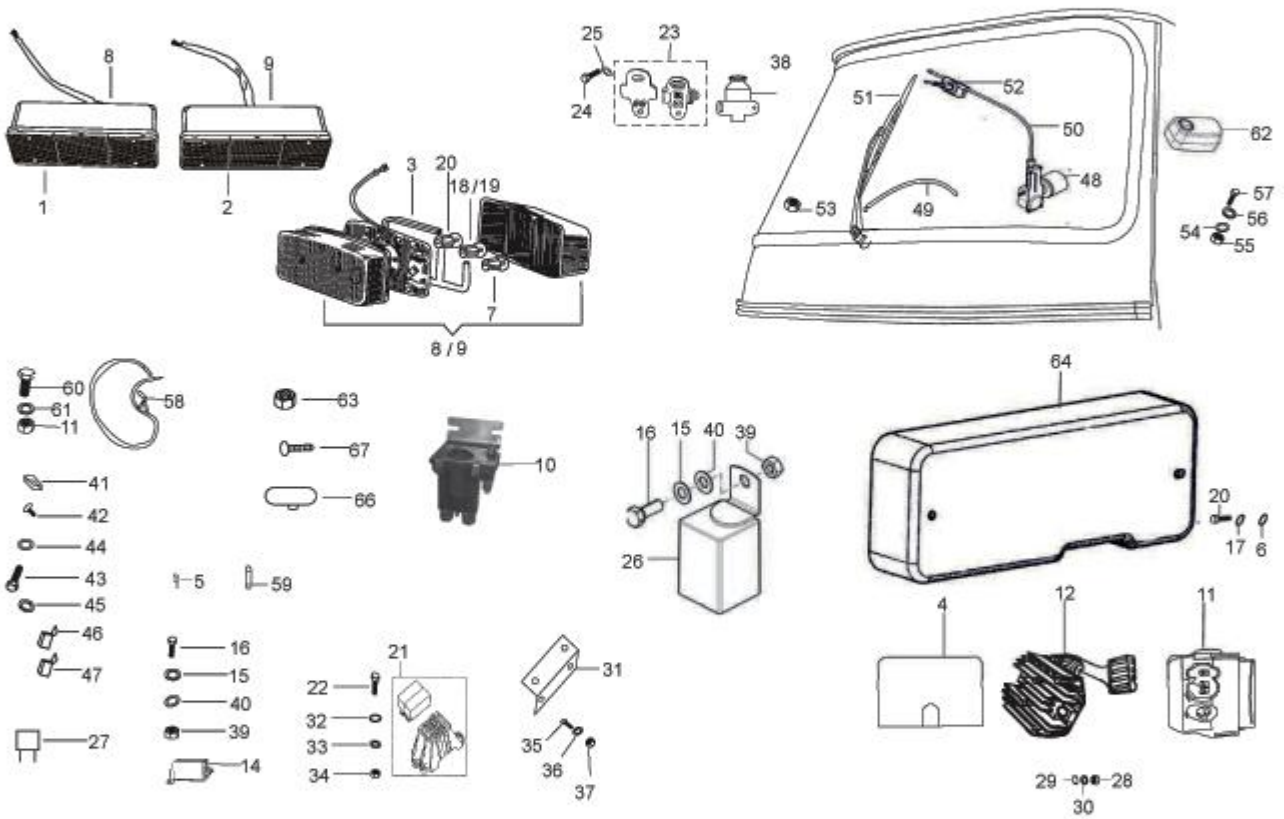


PLATE-28

Electrical Devices

| Fig. No. | Part No. | Description | Qty | Remarks |
|----------|-----------|---|-----|-----------------------|
| 1 | 920083 | TAIL LAMP LENSE LH WITH HARDWARE & GASKET | 1 | |
| 2 | 920084 | TAIL LAMP LENSE RH WITH HARDWARE & GASKET | 1 | |
| 3 | 925603 | PACKING | 2 | |
| 4 | B024056 | COVER CDI | 1 | |
| 5 | 604557 | FUSE (10A) | 6 | |
| 6 | 003055 | RAW WASHER(808000527) | 1 | |
| 7 | 181747 | REVERSE LAMP BULB 12V 5W | 2 | |
| 8 | 643704R | TAIL LAMP ASSY. LH | 1 | E - Marked (Export) |
| 9 | 643705R | TAIL LAMP ASSY. RH | 1 | E - Marked (Export) |
| 10 | 587671R | 4 ST RELAY SOLENOID | 1 | |
| 11 | 1A009251 | CDI - PETROL | 1 | |
| 11 | 1A009352 | CDI - LPG | 1 | |
| 11 | 1A009353 | CDI - CNG | 1 | |
| 11A | 1D000510 | ELECTRONIC STARTER UNIT | 1 | STEP-2 BS3 HS LAM PTL |
| 12 | 1D000671R | VOLTAGE REGULATOR | 1 | |
| 13 | B024641 | REAR LAMPS SUPPORT PAX 200 (GREY) | 2 | |
| 14 | B023727R | CONTACTOR | 1 | |
| 15 | 12546 | PLAIN WASHER / MULTI TOOTH LOCK WASHER M5 | 1 | |
| 16 | 31057 | HEX HEAD SCREW M5 X 14 CL 8.8 | 1 | |
| 17 | 568721 | SPRING WASHER M4 | 2 | |
| 18 | 181746 | INDICATOR BULB 12V 10W | 1 | |
| 19 | 925581 | INDICATOR LIGHT BULB 12V 21W AMBER COLOUR | 1 | |
| 20 | 008451 | PAN SELF TP SCREW 6 SGX13 AB | 2 | |
| 21 | 567581 | FOUR POLE FUSE BOX | 1 | |
| 22 | 031058 | HEXAGONAL HEAD SCREW (M5X16) | 2 | |
| 23 | 567498R | BRAKE/REVERSE LIGHT SW (INTEGRAL CAP)-PAV | 2 | |
| 24 | 15996 | PHIL RD HD SCREW M4X12 | 2 | |
| 25 | 003054 | PLAIN WASHER | 2 | |
| 26 | B023727R | CONTACTOR | 1 | |
| 27 | 567706 | FUSE 30 A | 1 | |
| 28 | 12136 | NUT / NYLOCK NUT M5 | 2 | |
| 29 | 006078 | WASHER | 2 | |
| 30 | 16405 | SPRING WASHER M5 | 2 | |
| 31 | 660109 | FUSE BOX BKT | 1 | |
| 32 | 003055 | RAW WASHER(808000527) | 2 | |

PLATE-28
Electrical Devices

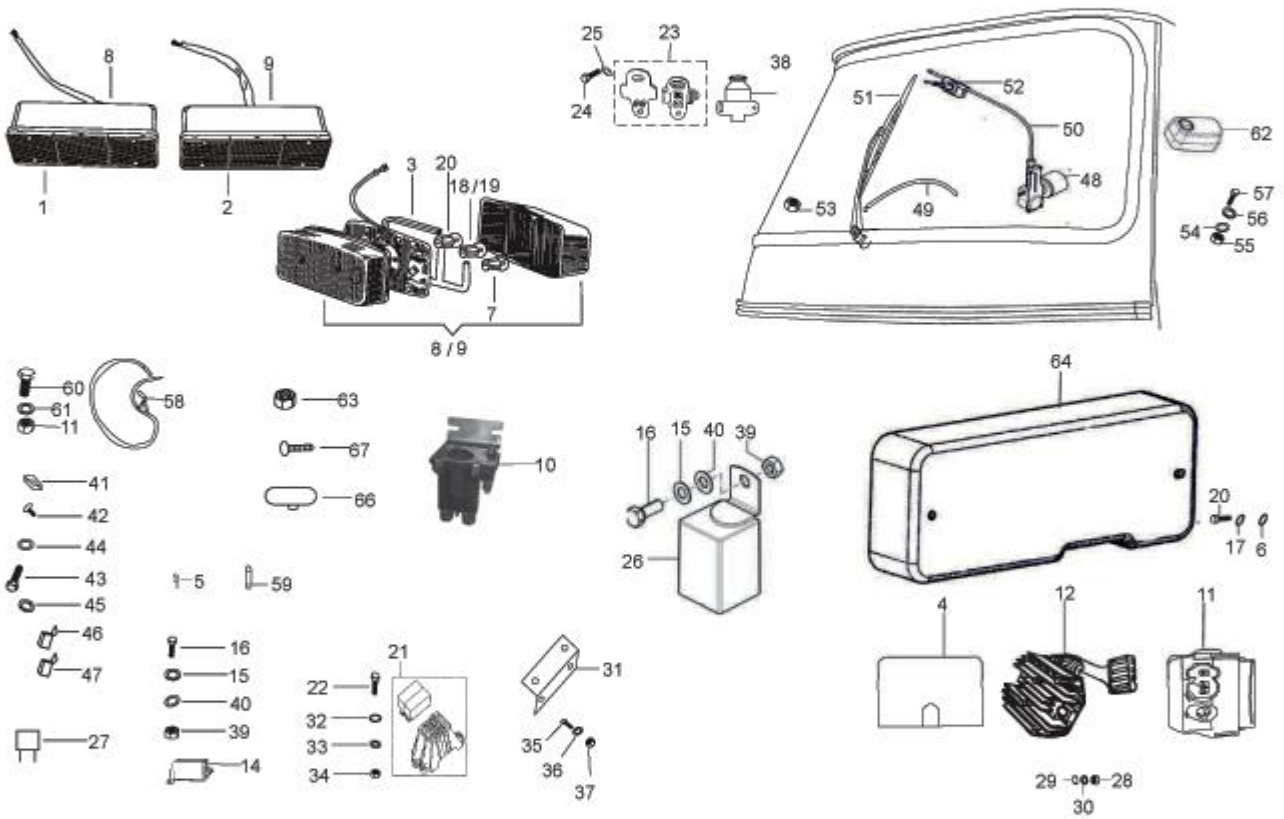


PLATE-28

Electrical Devices

| Fig. No. | Part No. | Description | Qty | Remarks |
|----------|----------|---|-----|-----------------------|
| 32 | 006078 | WASHER | 2 | |
| 33 | 006965 | BENT SPRING WASHER 5,3X20X0,5 | 2 | |
| 34 | 020105 | HEXAGONAL NUT | 2 | |
| 35 | 031058 | HEXAGONAL HEAD SCREW (M5X16) | 22 | |
| 36 | 006965 | BENT SPRING WASHER 5,3X20X0,5 | 2 | |
| 37 | 020105 | HEXAGONAL NUT | 2 | |
| 38 | 567747 | STOP (BRAKE) SWITCH PROTECTION/PACKING BOOT | 21 | |
| 39 | 020105 | HEXAGONAL NUT | 1 | |
| 40 | 003055 | RAW WASHER(808000527) | 1 | |
| 41 | B075693 | MTG BKT ONE WAY FUSE - HOLDER | 1 | |
| 42 | 568692 | PAN SELF TAP SCREW 6SG X 16AB | 1 | |
| 43 | 31088 | HEX HD SCREW M6 X 16 CL 8.8 (811061623) | 1 | |
| 44 | 003056 | PLAIN WASHER | 1 | |
| 45 | 016406 | SPRING WASHER | 1 | |
| 46 | 680166 | SAFETY STARTER RELAY | 1 | |
| 47 | B023727R | CONTACTOR | 1 | |
| 48 | B073685 | WIPER MOTOR ASSY. WITH MTG. BKT. | 1 | |
| 49 | B073821 | BUNDY TUBE OUTER (UP) | 1 | |
| 50 | B073682 | WIPER BUNDY - MOTOR TO WHEEL BOX | 1 | |
| 51 | B073600 | WIPER ARM & BLADE ASSY | 1 | |
| 51A | 632292 | WIPER ARM & BLADE ASSY | 1 | STEP-2 BS3 HS LAM PTL |
| 52 | B076304 | WHEEL BOX ASSY. (MOD.) | 1 | |
| 53 | 569165 | DOME NUT | 1 | |
| 54 | 016406 | SPRING WASHER | 1 | |
| 55 | 020106 | HEXAGONAL NUT | 6 | |
| 56 | 003056 | PLAIN WASHER | 6 | |
| 57 | 31088 | HEX HD SCREW M6 X 16 CL 8.8 (811061623) | 6 | |
| 58 | B024948R | BAT + VE _BC SW -4ST REL(CITY 200 C/L) | 1 | |
| 59 | 925786 | ECU - FUSE (2A) (N.I) | 1 | |
| 60 | 31088 | HEX HD SCREW M6 X 16 CL 8.8 (811061623) | 2 | |
| 61 | 016406 | SPRING WASHER | 2 | |
| 62 | B073715 | CABIN LAMP | 1 | |
| 63 | 020106 | HEXAGONAL NUT | 2 | |
| 64 | B073492 | PLASTIC COVER-ELECTRICAL CLUSTER | 1 | |
| 65 | B024532 | KEY IGNITION SWITCH W/COUPLER (PAVNA) | 1 | |

PLATE-28
Electrical Devices

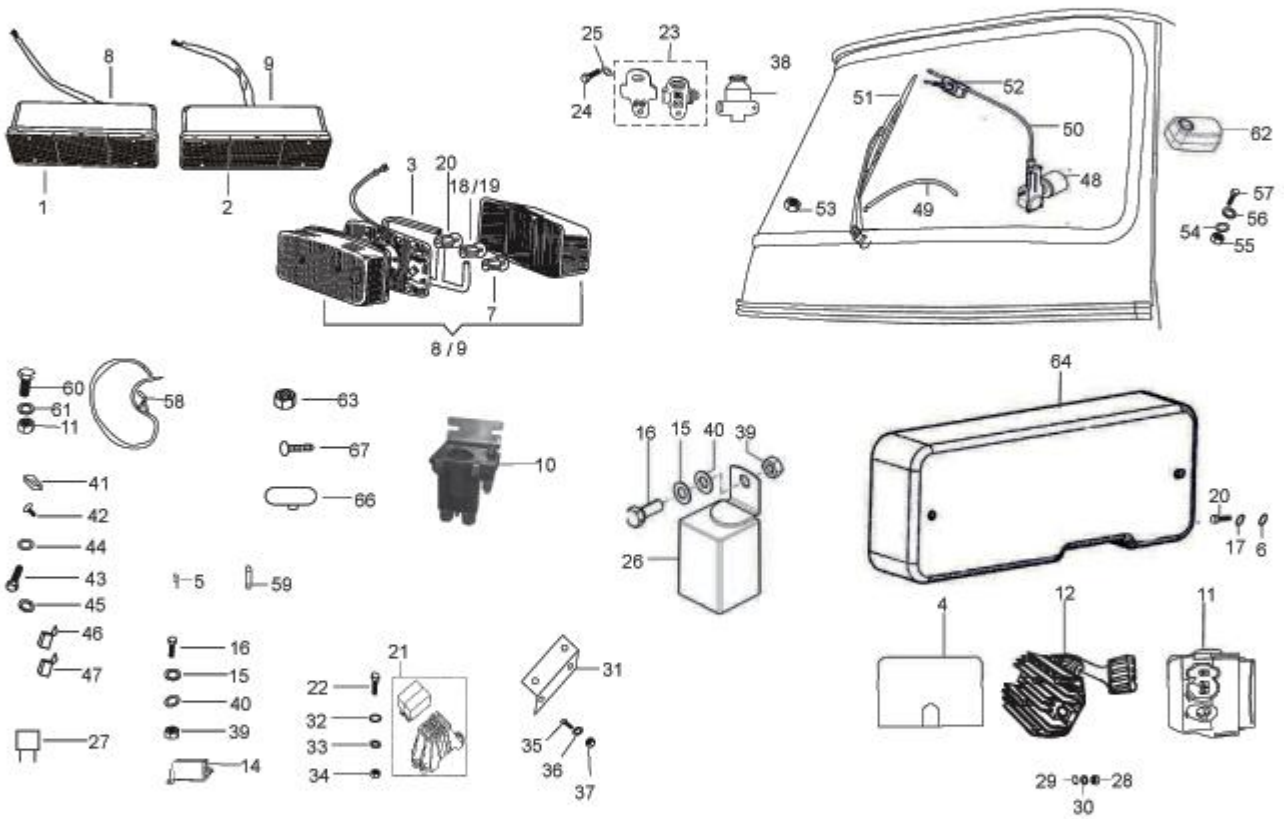


PLATE-28

Electrical Devices

| Fig. No. | Part No. | Description | Qty | Remarks |
|----------|----------|--|-----|---------|
| 66 | B074491 | ENGINE COMPARTMENT LAMP WITH PIGTAIL (UP) | 1 | |
| 67 | B074539 | PHILIPS COUNTER HEAD SCREW | 2 | |

PLATE-29
Front Fascia

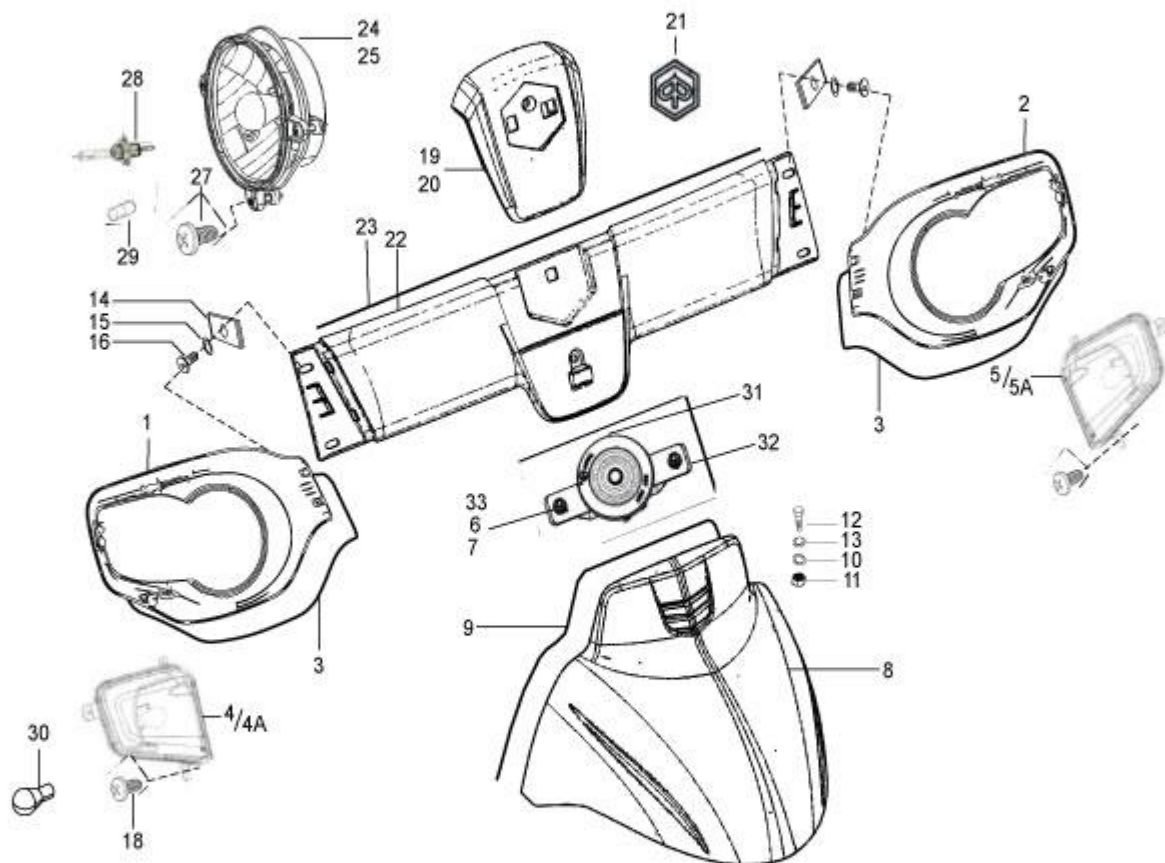


PLATE-29
Front Fascia

| Fig. No. | Part No. | Description | Qty | Remarks |
|----------|-----------|--|-----|---------------------|
| 1 | B074434 | BEZEL_HEADLAMP BLINKER (RH) | 1 | E - Marked (Export) |
| 2 | B074433 | BEZEL_HEADLAMP BLINKER (LH) | 1 | E - Marked (Export) |
| 3 | B073969 | HL BEZEL BEADING | 2 | |
| 4 | B074171 | SIDE BLINKER S/A RH | 1 | E - Marked (Export) |
| 4A | B078272 | BLINKER HOUSING (RH)-(HOUSING + GLASS) | 1 | |
| 5 | B074170 | SIDE BLINKER S/A LH | 1 | E - Marked (Export) |
| 5A | B078274 | BLINKER HOUSING (LH)-(HOUSING + GLASS) | 1 | |
| 6 | 003056 | PLAIN WASHER | 4 | |
| 7 | 020106 | HEXAGONAL NUT | 4 | |
| 8 | B073882WR | FRONT MUDGUARD - PAINTED-WR | 1 | |
| 8 | B073882BW | FRONT MUDGUARD - PAINTED-BW | 1 | |
| 8 | B073882GY | FRONT MUDGUARD - PAINTED - GY | 1 | |
| 8 | B073882CB | FRONT MUDGUARD - PAINTED -CB | 1 | |
| 8 | B073882EG | FRONT MUDGUARD - PAINTED - EG | 1 | |
| 8 | B073882NB | FRONT MUDGUARD - PAINTED - NB | 1 | |
| 8 | B073882BL | FRONT MUDGUARD - PAINTED - BL | 1 | |
| 9 | - | NOT SERVICEABLE | 1 | NS |
| 10 | 013880 | PLAIN WASHER | 8 | |
| 11 | 020106 | HEXAGONAL NUT | 4 | |
| 12 | 31089 | HEX HEAD SCREW M6X18 CL 8.8 | 4 | |
| 13 | 078307 | SPRING WASHER | 4 | |
| 14 | 008080 | SPRING PLATE | 4 | |
| 15 | 003055 | RAW WASHER(808000527) | 10 | |
| 16 | 660168 | PAN SELF TP. SCREW 10 SGX13AB | 5 | |
| 17 | 157716 | SCREW ANCHORE | 8 | |
| 18 | B074539 | PHILIPS COUNTER HEAD SCREW | 4 | |
| 19 | B073875 | LOGO SUPPORT - NOT PAINTED | 1 | |
| 20 | B073875SL | LOGO SUPPORT - PAINTED | 1 | |
| 21 | B076120 | HEXAGONAL EMBLEM | 1 | |
| 22 | B073872 | CENTRAL FACIA | 1 | |
| 23 | B073970 | CENTRAL FACIA BEADING UPPER | 1 | |
| 24 | B077866 | HEADLAMP ASSY LH | 1 | E - Marked (Export) |
| 25 | B077865 | HEADLAMP ASSY RH | 1 | E - Marked (Export) |
| 26 | 658810 | SPRING FIXING ON RIM HEAD LIGHT | 2 | |
| 27 | 015900 | TAPPING CUP HEAD SCREW | 6 | |

PLATE-29
Front Fascia

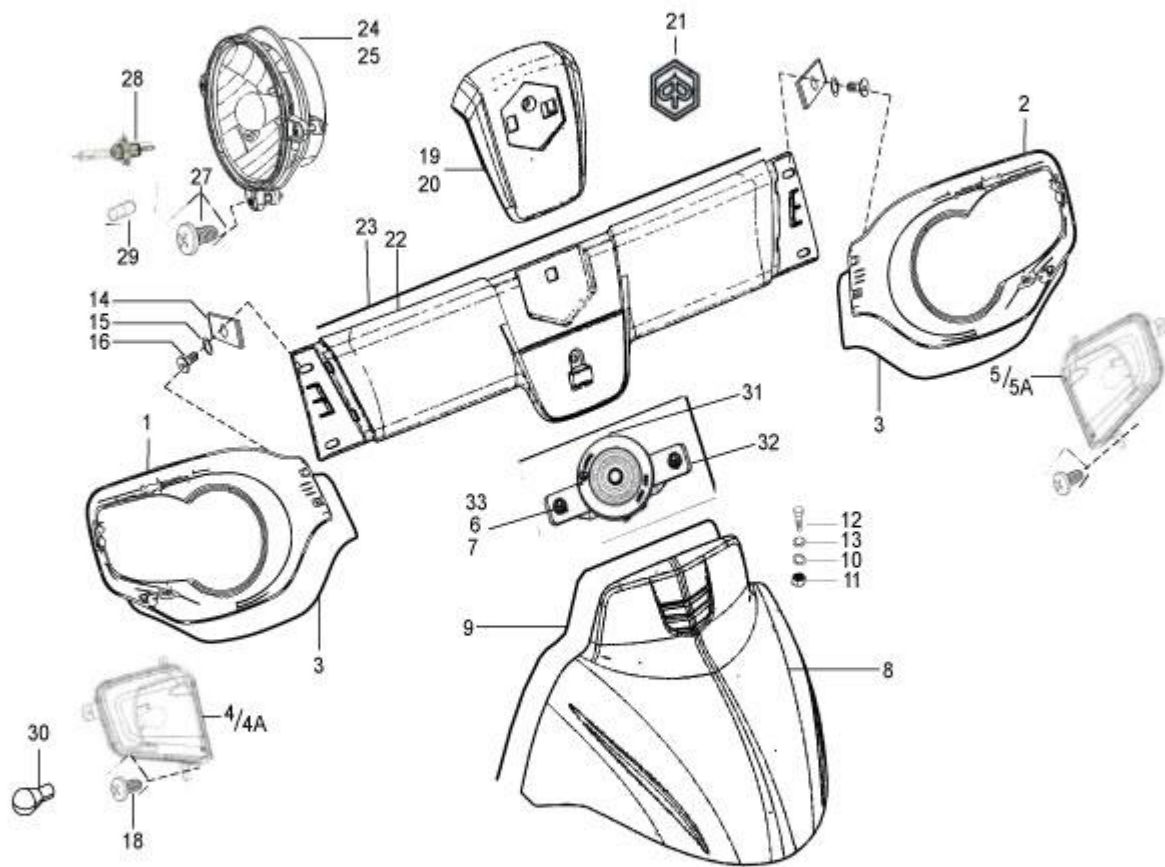


PLATE-29
Front Fascia

| Fig. No. | Part No. | Description | Qty | Remarks |
|----------|----------|--|-----|---------------------|
| 28 | B078286R | HS1_BULB (12 V _35/35W | 2 | |
| 29 | 567593 | BULB 12V 5W / LAMP 4W | 2 | |
| 30 | 925581 | INDICATOR LIGHT BULB 12V 21W AMBER COLOUR | 2 | |
| 31 | B074033 | HORN ASSLY(DIA 70) | 1 | E - Marked (Export) |
| 32 | B073953 | HORN MTG. BKT S/A | 1 | |
| 33 | 016406 | SPRING WASHER | 4 | |
| 34 | 003056 | PLAIN WASHER | 4 | |
| 35 | 020106 | HEXAGONAL NUT | 4 | |

PLATE-30

Open Box Body (Pick UP)

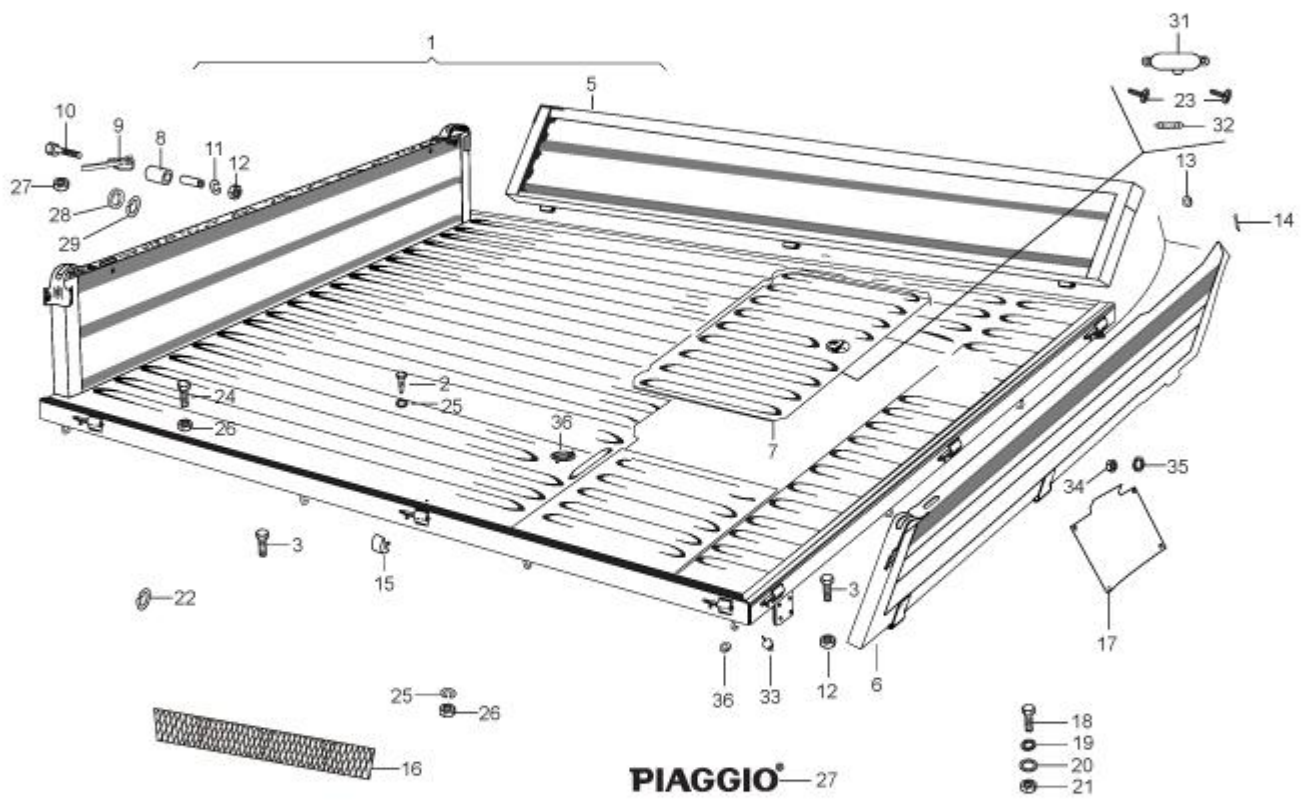


PLATE-30

Open Box Body (Pick UP)

| Fig. No. | Part No. | Description | Qty | Remarks |
|----------|-----------|--|-----|---------|
| 1 | B073531EG | APE CITY CARGO BODY ASSLY PUP-CNG/LPG-EG | 1 | |
| 1 | B073531CO | APE CITY CARGO BODY ASSLY PUP-CNG/LPG-CO | 1 | |
| 1 | B073531GY | APE CITY CARGO BODY ASSLY PUP - CNG/LPG-GY | 1 | |
| 1 | B073531CB | APE CITY CARGO BODY ASSLY PUP - CNG/LPG-CB | 1 | |
| 1 | B073531BW | APE CITY CARGO BODY ASSLY PUP - CNG/LPG-BW | 1 | |
| 1 | B073531SY | APE CITY CARGO BODY ASSLY PUP - CNG/LPG-SY | 1 | |
| 1 | B076050EG | APE CITY CARGO BODY ASSLY PUP - PETROL-EG | 1 | |
| 1 | B076050CO | APE CITY CARGO BODY ASSLY PUP - PETROL-CO | 1 | |
| 1 | B076050GY | APE CITY CARGO BODY ASSLY PUP - PETROL-GY | 1 | |
| 1 | B076050CB | APE CITY CARGO BODY ASSLY PUP - PETROL-CB | 1 | |
| 1 | B076050BW | APE CITY CARGO BODY ASSLY PUP - PETROL-BW | 1 | |
| 1 | B076050SY | APE CITY CARGO BODY ASSLY PUP - PETROL-SY | 1 | |
| 2 | 008265 | SELF TAPPING SCREW | 12 | |
| 3 | 31119 | HEX HD SCREW M8 X 25 | 6 | |
| 4 | 643500 | LOCK SET WITH KEYS (PU) (COMMON KEY) | 1 | |
| 5 | B073523ED | SIDE PANEL ASSLY APE CITY CARGO -BSIV | 1 | |
| 6 | B073526ED | TAIL GATE PANEL ASSLY APE CITY CARGO-BSIV | 1 | |
| 7 | B075186ED | ENGINE INSPECTION DOOR PAX CARGO | 1 | |
| 8 | 109361 | BUFFER (ENGINE INSPECTION COVER) | 2 | |
| 9 | 128804ED | LH LEVER FOR CLAMPING THE SIDE PANEL CED | 1 | |
| 9 | 128805ED | RH LEVER FOR CLAMPING THE SIDE PANEL CED | 1 | |
| 10 | 30074 | HEX HEAD BOLT M8 X 40 CL 8.8 | 2 | |
| 11 | 016408 | SPRING WASHER | 8 | |
| 12 | 020108 | HEXAGONAL NUT | 4 | |
| 13 | 003057 | PL. WASHER 13 X 7 X 1 | 4 | |
| 15 | B077358 | STOP BUFFER | 4 | |
| 16 | 661262 | YELLOW REFLECTIVE TAPE | 2 | |
| 17 | 643661 | LICENSE PLATE MTG. BKT. | 1 | |
| 18 | 031058 | HEXAGONAL HEAD SCREW (M5X16) | 4 | |
| 19 | 16405 | SPRING WASHER M5 | 4 | |
| 20 | 003055 | RAW WASHER(808000527) | 4 | |
| 21 | 020105 | HEXAGONAL NUT | 4 | |
| 22 | 16603 | PLAIN WASHER (METALLIC) | 8 | |
| 23 | 015727 | SCREW | 4 | |
| 24 | 31089 | HEX HEAD SCREW M6X18 CL 8.8 | 6 | |

PLATE-30

Open Box Body (Pick UP)

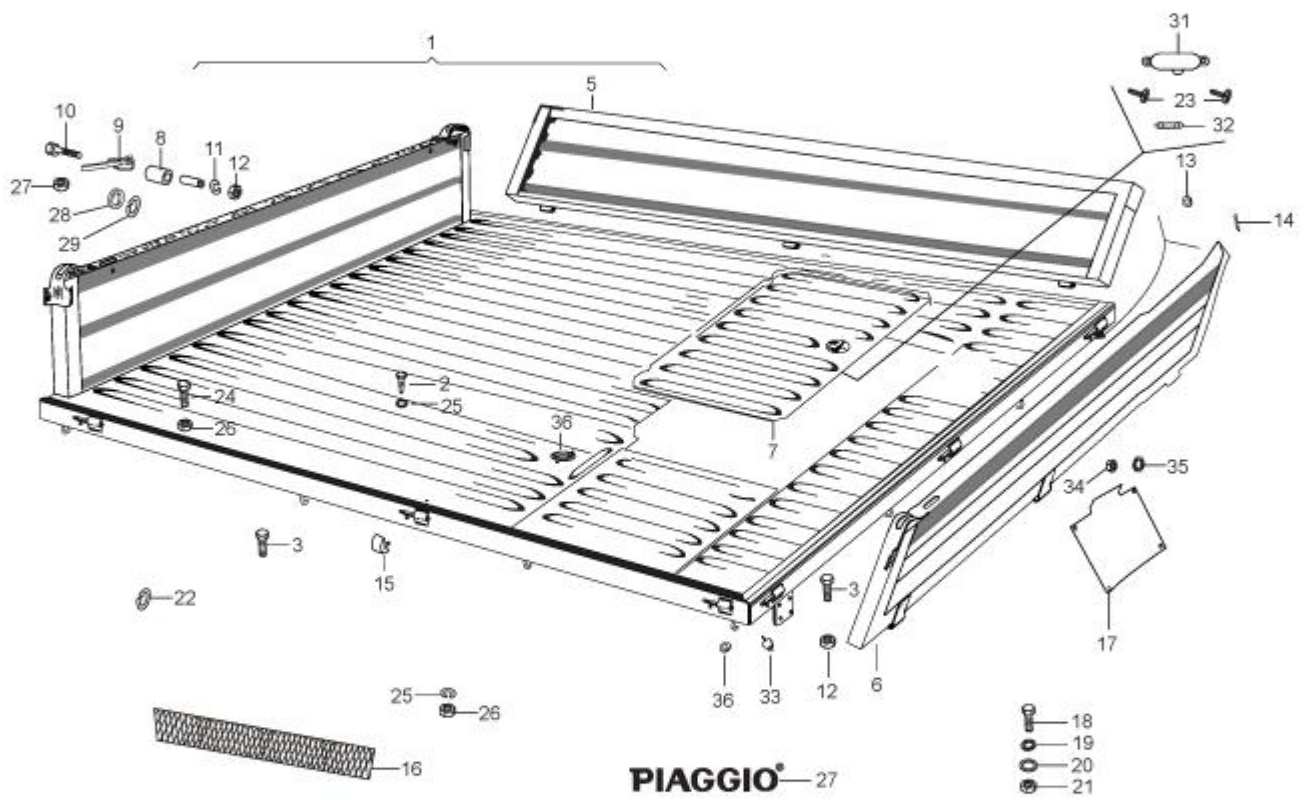


PLATE-30

Open Box Body (Pick UP)

| Fig. No. | Part No. | Description | Qty | Remarks |
|----------|----------|---|-----|---------|
| 25 | 016406 | SPRING WASHER | 4 | |
| 26 | 020106 | HEXAGONAL NUT | 4 | |
| 28 | 12138 | NYLOCK NUT M6 | 2 | |
| 27 | 662323 | PIAGGIO TAIL GATE (YESHSHREE) STICKER FOR LIGHT COLOUR SHADE | 1 | |
| 29 | 003058 | PLAIN WASHER 15X8.4X1.5 | 8 | |
| 30 | 005967 | CIRCLIP / DIA 7E | 4 | |
| 31 | 150041R | CABIN LIGHT ASSY. (W/O BULB) | 1 | |
| 32 | 71633 | STOP AND PARKING BULB 12V 10/5 W | 1 | |
| 33 | 567732 | BUFFER | 2 | |
| 34 | 020106 | HEXAGONAL NUT | 2 | |
| 35 | 016406 | SPRING WASHER | 2 | |
| 36 | B024501 | PLASTIC COVER PLUG-CARGO | 4 | |
| 37 | 30074 | HEX HEAD BOLT M8 X 40 CL 8.8 | 1 | |

PLATE-31
Wiring Harness

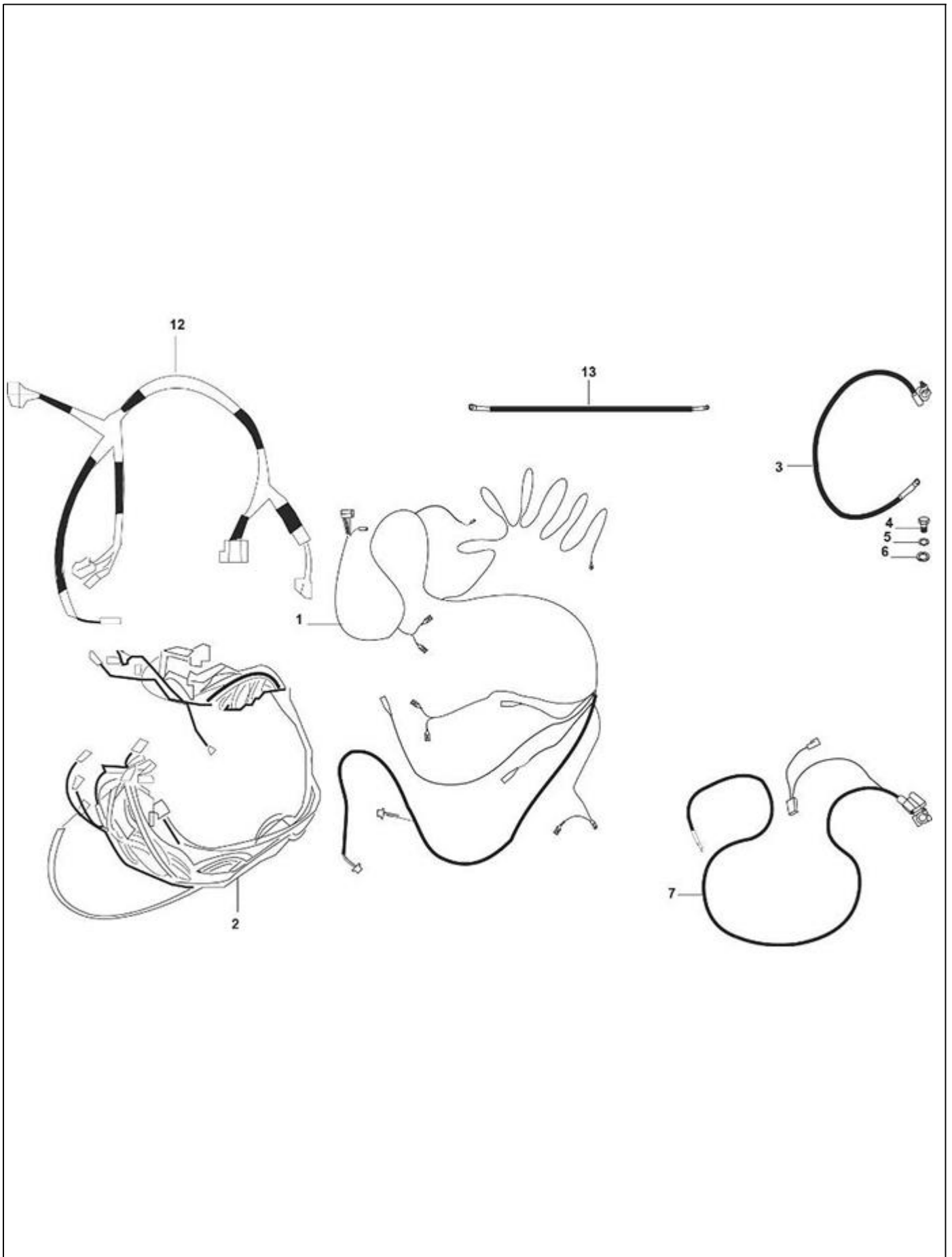


PLATE-31

Wiring Harness

| Fig. No. | Part No. | Description | Qty | Remarks |
|----------|----------|--|-----|---------|
| 1 | B077249 | WIRING HARNESS INSTRUMENT PANEL- PETROL | 1 | |
| 1 | B077250 | WHS MAIN _ CITY BS IV _ LPG (SN) | 1 | |
| 1 | B077251 | W/HS MAIN_CITY CARGO BSIV (CNG) | 1 | |
| 2 | B077249 | WIRING HARNESS INSTRUMENT PANEL- PETROL | 1 | |
| 2 | B073979 | WIRING HARNESS INSTRUMENT PANEL (CNG/LPG) | 1 | |
| 3 | 660820R | BATTERY CABLE NEGATIVE | 1 | |
| 4 | 31088 | HEX HD SCREW M6 X 16 CL 8.8 (811061623) | 1 | |
| 5 | 003056 | PLAIN WASHER | 1 | |
| 6 | 016406 | SPRING WASHER | 1 | |
| 7 | B078213 | BATTERY +VE CABLE-CUT STARTER MOTOR (LPG/CNG) | 1 | |
| 7 | B074214 | BATTERY CABLE POSITIVE NO.1 CITY CARGO P | 1 | |
| 8 | B003110R | PIG TAIL FUEL TANK | 1 | |
| 9 | B073320R | PIG TAIL- CABIN LAMP (NEW)-PASSENGER NI | 1 | |
| 10 | B078003 | GAS KIT W/ HS- LPG- PAX 200- (RH SHIFT) | 1 | |
| 10 | B078002 | GASKIT W/HS - LPG (PAX 200 CARGO) | 1 | |
| 11 | - | NOT SERVICEABLE | 1 | |
| 12 | B023968 | ENGINE WIRING HARNESS (PET) (CNG&LPG) | 1 | |
| 13 | 1D001894 | GROUND WIRE | 1 | |
| 14 | B075108 | ADAPTOR PIGTAIL -ACCESSORIES(3WH) | 1 | |

PLATE-32
Front Brake Assembly

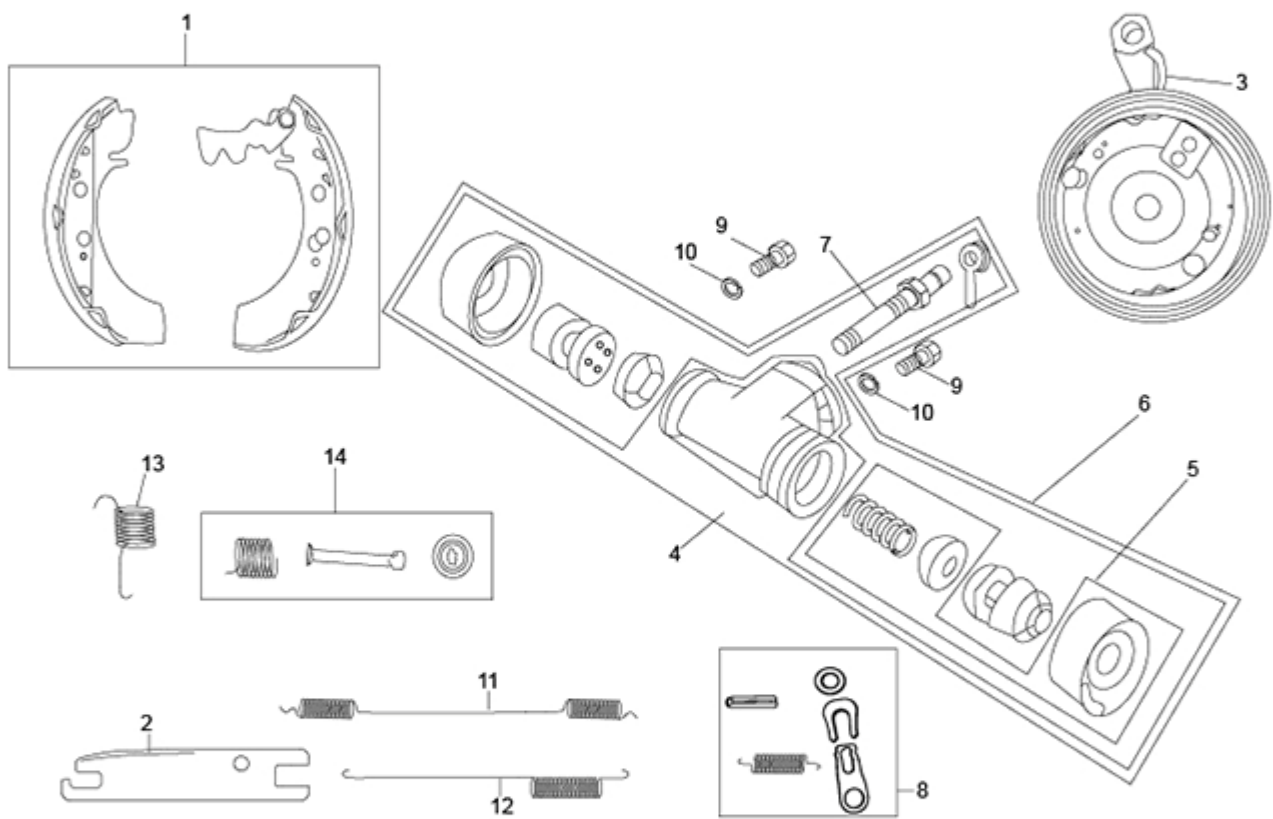


PLATE-32

Front Brake Assembly

| Fig. No. | Part No. | Description | Qty | Remarks |
|----------|----------|----------------------------|-----|---------|
| 1 | KIT95033 | FRONT BRAKE LINERS KIT | 1 | |
| 2 | B003008 | STRUT FRONT | 1 | |
| 3a | B024113 | FRONT BRAKE ASSY. | 1 | |
| 4 | B003017 | WHEEL CYLINDER ASSY. | 1 | |
| 5 | B003325 | MINOR KIT WHEEL CYLINDER | 1 | |
| 6 | B003324 | MAJOR KIT WHEEL CYLINDER | 1 | |
| 7 | B003300 | BLEEDER SCREW | 1 | |
| 8 | B006509 | CLIP & PIN KIT | 1 | |
| 9 | 63440 | BOLT M6X12 | 2 | |
| 10 | 12536 | SPRING WASHER | 2 | |
| 11 | B003004 | SHOE RETURN SPRING (UPPER) | 1 | |
| 12 | B003003 | SHOE RETURN SPRING (LOWER) | 1 | |
| 13 | B003002 | STRUT SPRING | 1 | |
| 14 | KIT95036 | SHOE HOLD DOWN KIT | 1 | |

PLATE-33

Rear Brake Assembly

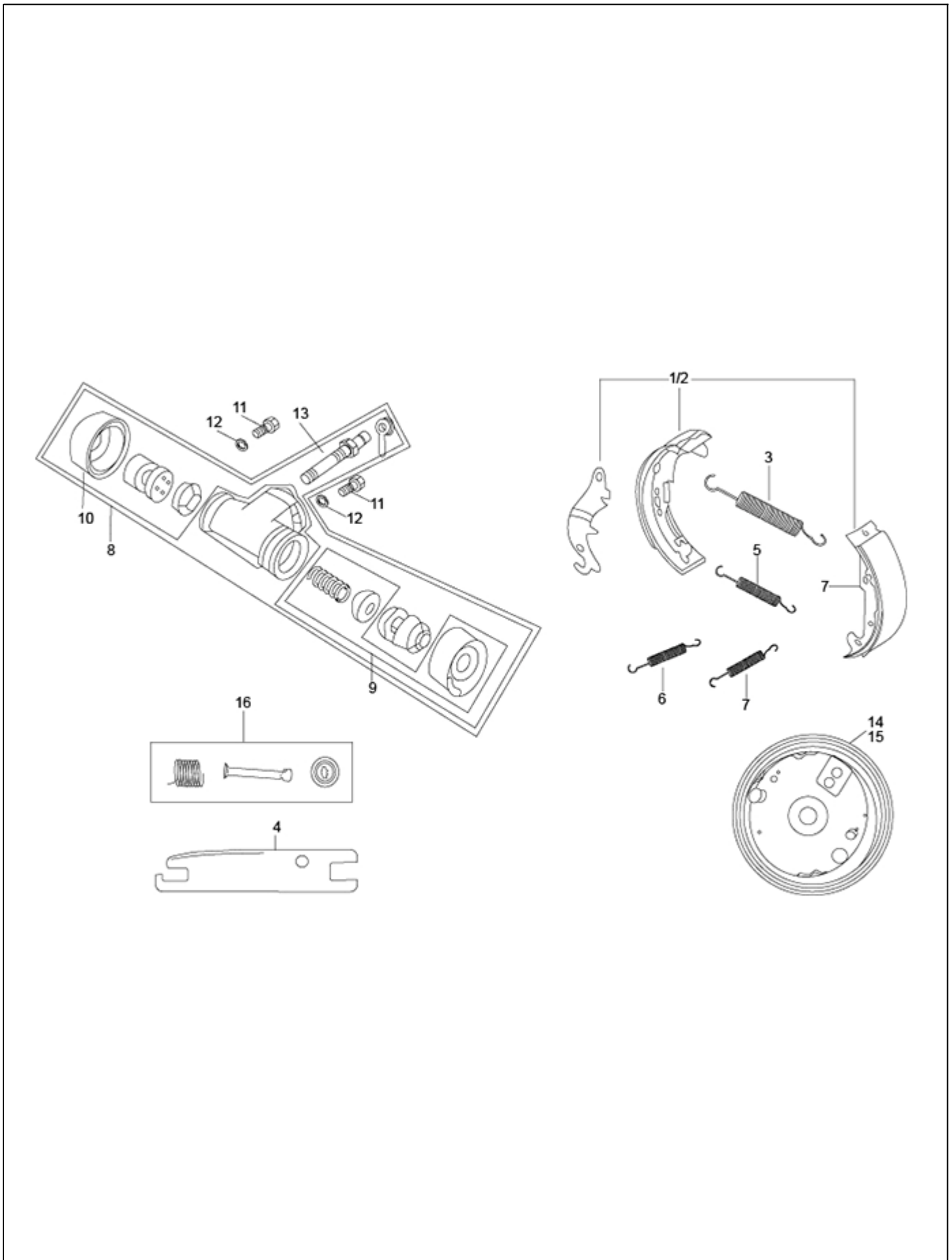


PLATE-33

Rear Brake Assembly

| Fig. No. | Part No. | Description | Qty | Remarks |
|----------|----------|----------------------------------|-----|---------|
| 1 | B003330 | REAR BRAKE SHOE KIT LH | 1 | |
| 2 | B003331 | REAR BRAKE SHOE KIT RH (NI) | 1 | |
| 3 | B003004 | SHOE RETURN SPRING (UPPER) | 2 | |
| 4 | B003012 | STRUT REAR | 2 | |
| 5 | B003003 | SHOE RETURN SPRING (LOWER) | 2 | |
| 6 | B003011 | STRUT SPRING RH | 1 | |
| 7 | B003002 | STRUT SPRING | 1 | |
| 8 | B003014 | WHEEL CYLINDER ASSY. DIA.25.4 MM | 1 | |
| 9 | 925574 | MINOR KIT WHL CYL. RR | 1 | |
| 10 | B003328 | MAJOR KIT WHEEL CYLINDER | 1 | |
| 11 | B002486 | BOLT M8 X 35 6G CL 12.9 | 4 | |
| 12 | 12536 | SPRING WASHER | 4 | |
| 13 | B003300 | BLEEDER SCREW | 2 | |
| 14 | B001228 | BRAKE PLATE ASSY. RH | 1 | |
| 15 | B001225 | BRAKE PLATE ASSY. LH (N.I.) | 1 | |
| 16 | B003327 | SHOE HOLD DOWN KIT | 1 | |

PLATE-34
Cables

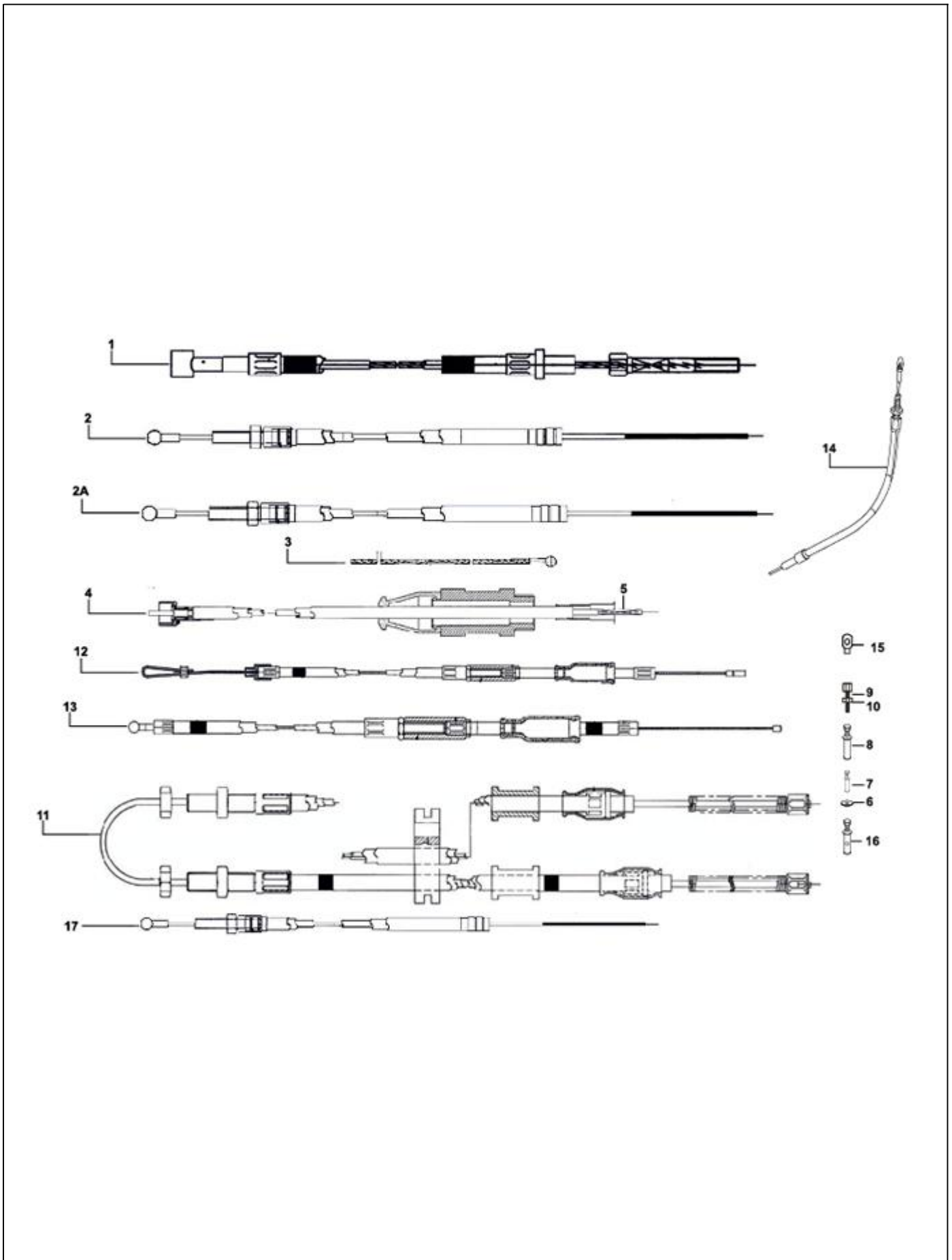


PLATE-34

Cables

| Fig. No. | Part No. | Description | Qty | Remarks |
|----------|----------|--|-----|---------|
| 1 | B075566 | CLUTCH CONTROL TRANSMISSION ASSLY. | 1 | |
| 2 | B073469 | CABLE,GEAR CONTROL ASSLY NO.2 | 1 | |
| 2A | B075716 | CABLE,GEAR CONTROL ASSLY -WHITE | 1 | |
| 3 | 6A000068 | INNER GEAR CONTROL CABLE (BLACK/WHITE) | 1 | |
| 3 | 6A000069 | SHIFT CONTROL CABLE INNER (WHITE) | 1 | |
| 4 | 645124 | SPEEDO CABLE | 1 | PTL |
| 4 | B076208 | SPEEDO CABLE | 1 | CNG/LPG |
| 5 | NEW | INNER GEAR CONTROL CABLE (BLACK/WHITE) | 1 | |
| 7 | B076078 | SCREW TERMINAL ASSLY(REVERSE CABLE) | 1 | |
| 8 | B076364 | SCREW TERMINAL ASSY. - GEAR CONTROL | 2 | |
| 9 | 197071 | ADJUSTER SCREW M6 | 2 | |
| 10 | 020106 | HEXAGONAL NUT | 2 | |
| 11 | B041774 | PARKING BRAKE CABLE ASSY | 1 | |
| 12 | B075565 | CABLE ASSLY CHOKE CONTROL | 1 | |
| 13 | B042356 | ACCELERATOR CABLE WITH JONT (NEW) | 1 | |
| 14 | B076036 | ASSLY REVERSE GEAR CONTROL CABLE | 1 | |
| 14.1 | 6A000070 | REVERSE GEAR INNER CABLE | 1 | NI |
| 15 | 1A008804 | REVERSE CABLE REACTION BRACKET | 1 | |
| 16 | B076364 | SCREW TERMINAL ASSY. - GEAR CONTROL | 1 | |
| 17 | B076036 | ASSLY REVERSE GEAR CONTROL CABLE | 1 | |

PLATE-35
CN it

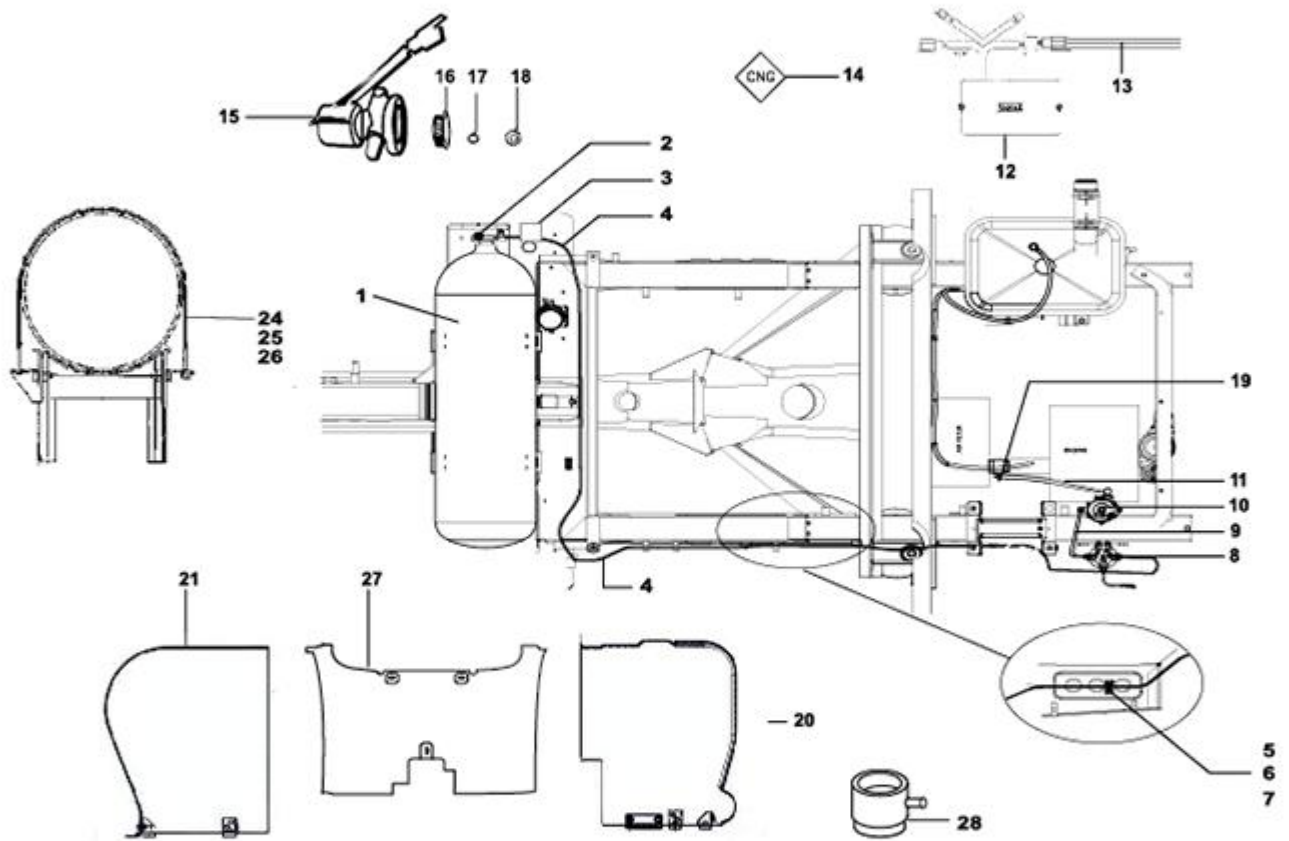


PLATE-35

CNG Kit

| Fig. No. | Part No. | Description | Qty | Remarks |
|----------|----------|--|-----|---------|
| 1 | B024601R | GAS CYLINDER 30LTR. | 1 | |
| 2 | B041784 | CNG PRESSURE GAUGE WITH SENSOR | 1 | |
| 3 | B041783 | FIRST STAGE REDUCTION UNIT (HPR) | 1 | |
| 4 | B075043 | FLEXIBLE HOSE ASSLY (HPR TO FSV) | 1 | |
| 5 | B024194 | CLAMP | 3 | |
| 6 | 643964 | SCREW | 3 | |
| 7 | 861990 | WASHER | 3 | |
| 8 | B075638 | FILTER SOLENOID VALVE (CNG) | 1 | |
| 9 | B075982 | LOW PRESS CNG HOSE | 1 | |
| 10 | B077333 | 2 STAGE CNG REGULATOR | 1 | |
| 11 | B077643 | LOW PRESS CNG HOSE | 1 | |
| 12 | B075862 | ECU_(W/O LED & SW) _CITY BS IV_ CNG | 1 | |
| 13 | B074246 | GASKIT W/HS - CNG (PAX 200 CARGO) | 1 | |
| 14 | 643850 | STICKER | 2 | |
| 15 | 932273 | COIL ASSEMBLY | 1 | |
| 16 | 932274 | PAPER FILTER | 1 | |
| 17 | 932275 | O RING | 1 | |
| 18 | 932276 | DRAIN PLUG | 1 | |
| 19 | 932646 | RESTRICTOR -2 FOR CNG | 1 | NS |
| 20 | B076202 | CYLINDER COVER - LPG LH | 1 | |
| 20 | B076203 | CYLINDER COVER - CNG LH | 1 | |
| 21 | B076201 | CYLINDER COVER - RH-COMMON CNG/LPG | 1 | |
| 22 | B009159 | SPIGOT ASSY. | 1 | |
| 23 | B024147 | CLIP | 2 | |
| 24 | B075621 | STRAP ASSLY (CNG) | 2 | |
| 25 | 632185 | LOWER STRAPS ASSY. | 2 | |
| 26 | 604863 | UPPER STRAPS ASSY. | 2 | |
| 27 | B076200 | CYLINDER COVER - CENTRAL-COMMON CNG/LPG | 1 | |
| 28 | B076435 | MIXER ASSEMBLY-CNG | 1 | |

PLATE-36

Two Stage CNG Regulator

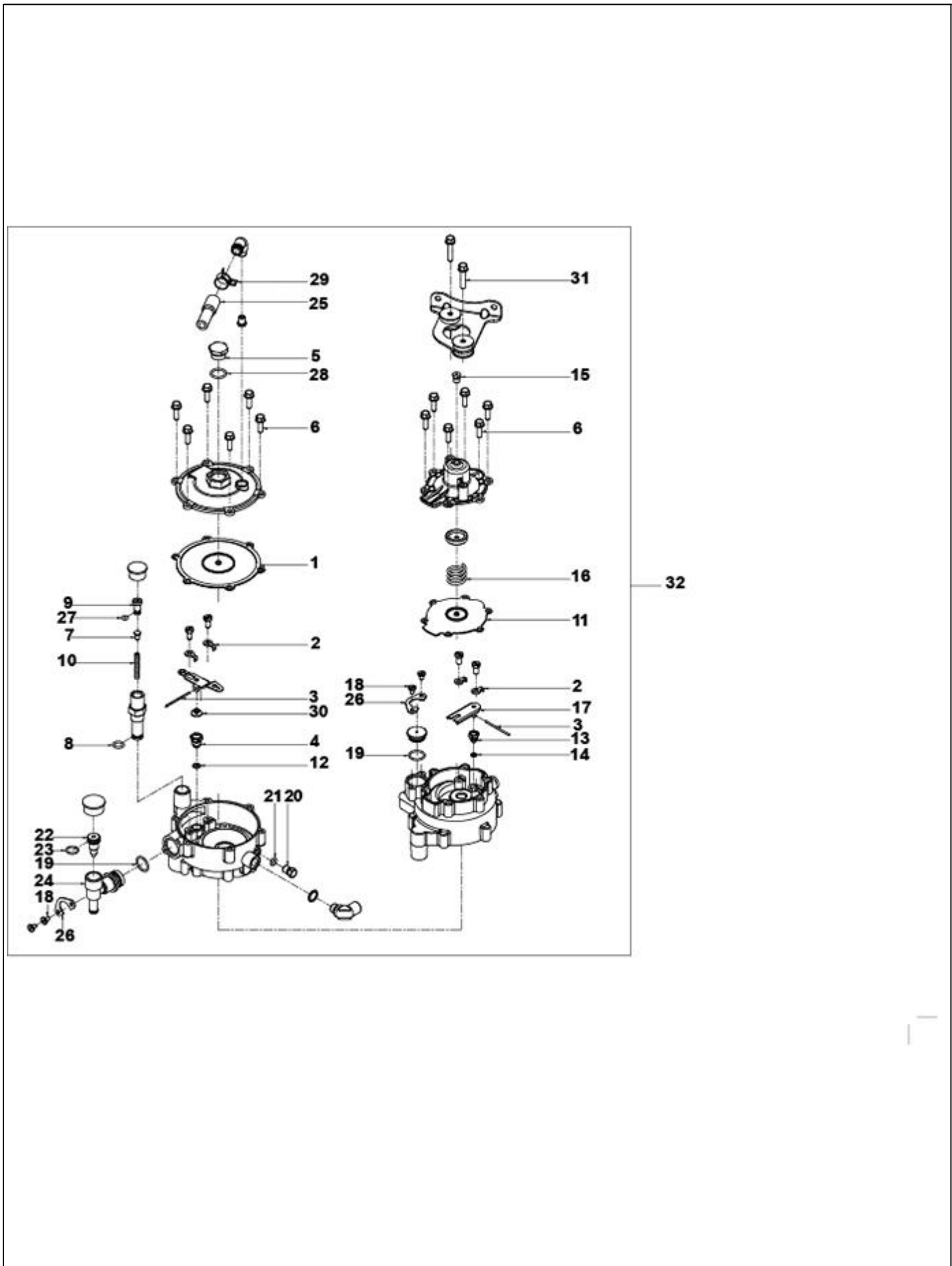


PLATE-36

Two Stage CNG Regulator

| Fig. No. | Part No. | Description | Qty | Remarks |
|----------|----------|-----------------------|-----|---------|
| 1 | 932207 | DIAPHRAGM SUB ASSY. | 1 | |
| 2 | 932208 | WASHER | 4 | |
| 3 | 932210 | LEVER PIN | 1 | |
| 4 | 932211 | SEAT | 1 | |
| 5 | 932229 | PLUG | 1 | |
| 6 | 932232 | FLANGE SCREW | 12 | |
| 7 | 932212 | SPRING GUIDE | 1 | |
| 8 | 925781 | O RING | 1 | |
| 9 | 932226 | IDLE SCREW | 1 | |
| 10 | 932213 | SPRING | 1 | |
| 11 | 932215 | DIAPHRAGM SUB ASSY. | 1 | |
| 12 | 932214 | WASHER | 1 | |
| 13 | 932218 | SEAT | 1 | |
| 14 | 932219 | WASHER | 1 | |
| 15 | 932230 | BREATHER-I | 1 | |
| 16 | 932216 | SPRING | 1 | |
| 17 | 932217 | LEVER SUB ASSY. | 1 | |
| 18 | 932220 | CHEESE HEAD SCREW | 1 | |
| 19 | 932221 | O RING | 1 | |
| 20 | 932222 | PLUG | 1 | |
| 21 | 932223 | O RING | 1 | |
| 22 | 932225 | FLOW ADJUSTING SCREW | 1 | |
| 23 | 929929 | O'RING | 1 | |
| 24 | 932224 | FLOW CONTROL BODY | 1 | |
| 25 | 932227 | BREATHER HOSE | 1 | |
| 26 | 932228 | CLAMP | 2 | |
| 27 | 932240 | O RING | 1 | |
| 28 | 932231 | O RING | 1 | |
| 29 | 932254 | CLIP | 1 | |
| 30 | 925768 | PAD | 1 | |
| 31 | 932255 | FLANGE SCREW | 1 | |
| 32 | B077333 | 2 STAGE CNG REGULATOR | 1 | |

PLATE-37

First Stage Reduction Unit

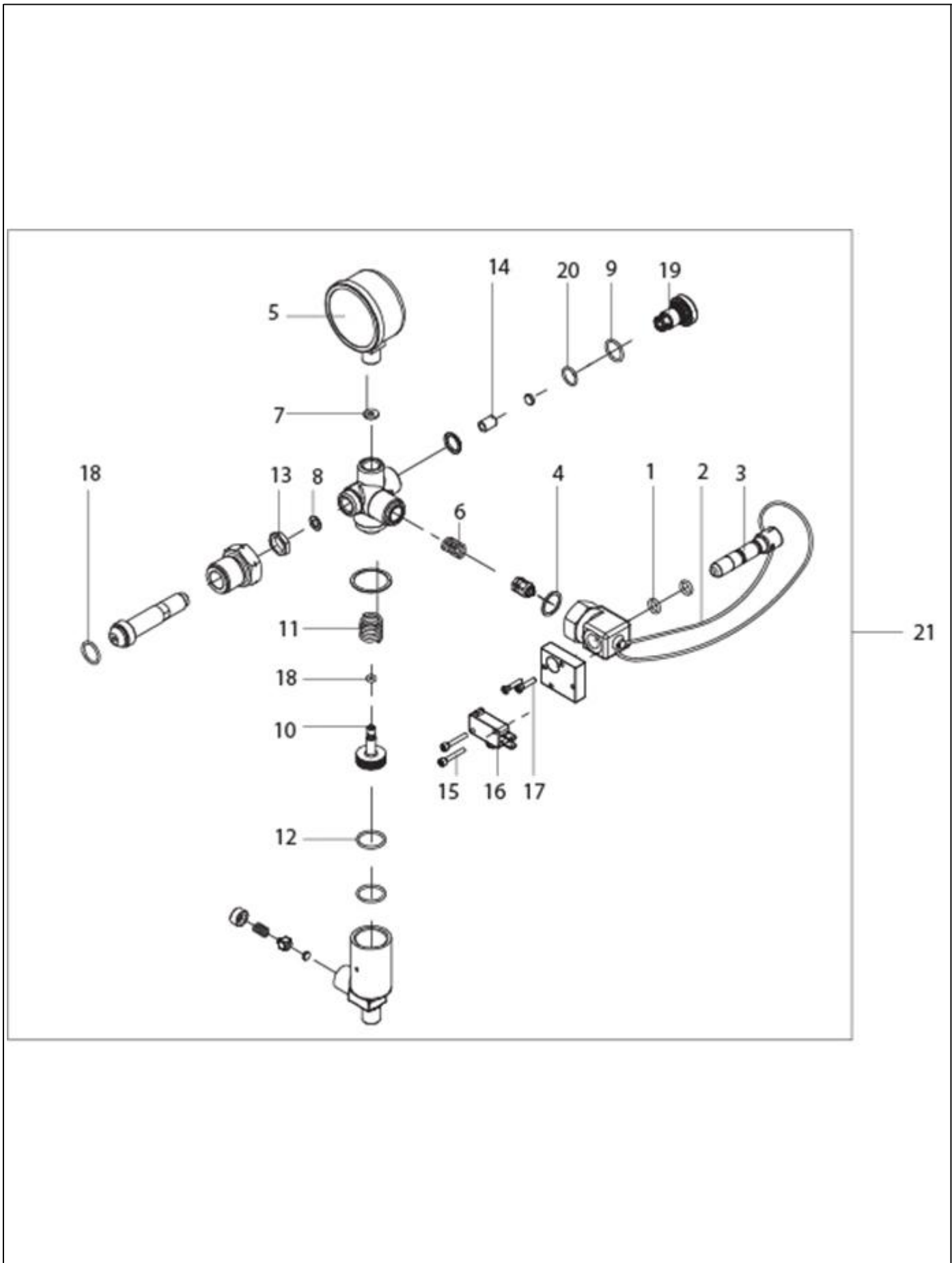


PLATE-37

First Stage Reduction Unit

| Fig. No. | Part No. | Description | Qty | Remarks |
|----------|----------|----------------------------------|-----|---------|
| 1 | 929931 | O RING | 2 | |
| 2 | 929933 | STRING | 1 | |
| 3 | 661399 | DUST PLUG | 1 | |
| 4 | 929934 | SEALING WASHER | 1 | |
| 5 | B041784 | CNG PRESSURE GAUGE WITH SENSOR | 1 | |
| 6 | 929935 | SPRING | 1 | |
| 7 | 932233 | WASHER | 1 | |
| 8 | 929936 | WASHER | 1 | |
| 9 | 932235 | O RING | 2 | |
| 10 | 932237 | PISTON SUB ASSY. | 1 | |
| 11 | 932236 | SPRING | 1 | |
| 12 | 932238 | O RING | 1 | |
| 13 | 932239 | LOCK NUT | 1 | |
| 14 | 932243 | FILTER | 1 | |
| 15 | 929938 | PHILIPS HEAD SCREW M3 X 20L | 2 | |
| 16 | 929939 | MICROSWITCH | 1 | |
| 17 | 929940 | PHILIPS HEAD SCREW M3 X 15L | 2 | |
| 18 | 932240 | O RING | 1 | |
| 19 | 932241 | RETAINER | 1 | |
| 20 | 932242 | ORING | 1 | |
| 21 | B041783 | FIRST STAGE REDUCTION UNIT (HPR) | 1 | |

PLATE-38
LPG Kit

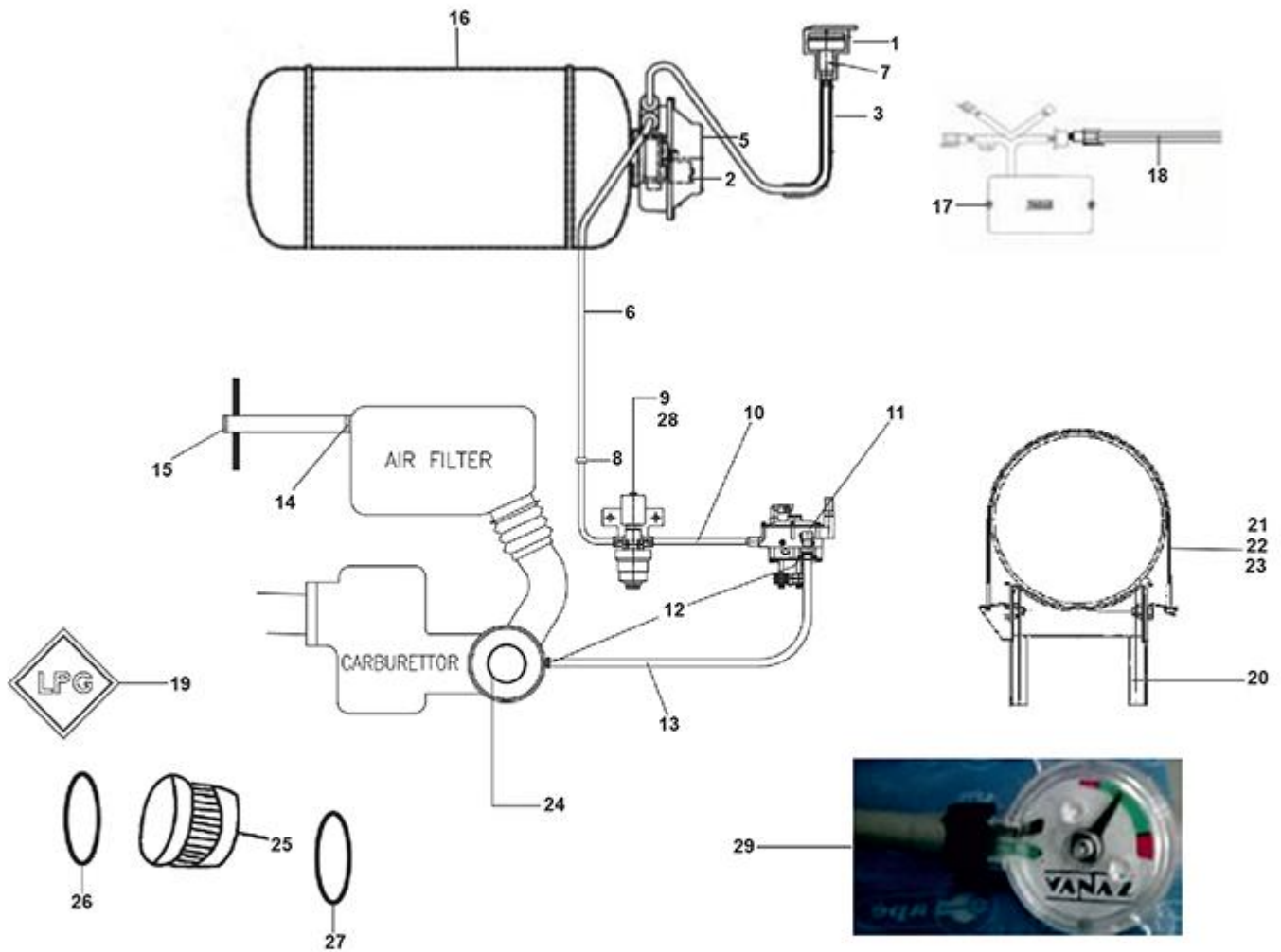


PLATE-38

LPG Kit

| Fig. No. | Part No. | Description | Qty | Remarks |
|----------|----------|--|-----|--------------------------------|
| 1 | B006286 | FILLER CONNECTOR WITH CAP | 1 | |
| 2 | B075426 | MULTIFUNCTION VALVE VANAZ | 1 | |
| 3 | B041491 | VENT HOSE ASSY - 1 | 1 | |
| 3A | B073085 | LPG FLEX. HOSE ASSY. - FOR REFUELING | 1 | |
| 4 | B073084 | SEAL BOX | 6 | |
| 5 | B073084 | SEAL BOX | 1 | |
| 6 | B074851 | LPG FLEXIBLE HOSE ASSY (MFV TO FSV) | 1 | |
| 6 | B077882 | LPG FLEXIBLE HOSE ASSY (MFV TO LPR) | 1 | W/O filter sole. valve Vehicle |
| 7 | B006287 | HOUSING ASSEMBLY FOR FILLER CONNECTOR | 2 | |
| 8 | B024147 | CLIP | 2 | |
| 9 | B075636 | FILTER SOLENOID VALVE (LPG) | 1 | |
| 10 | 932306 | LPG FLEXIBLE HOSE ASSY -FROM FSV TO LPR | 1 | |
| 11 | B076438 | 2 STAGE LPG REGULATOR | 1 | |
| 12 | B042199 | CLIP | 1 | |
| 13 | B042750 | HOSE REGULATOR TO CARBURETTOR | 1 | |
| 14 | 942247 | RESTRICTOR - 2 FOR LPG | 1 | |
| 15 | 940064 | COIL ASSEMBLY-LPG(K-0440-03-I-170) | 1 | |
| 16 | B073024 | LPG CYLINDER | 1 | |
| 17 | B075861 | ECU | 1 | |
| 18 | B075327 | GAS KIT W/ HS- LPG- (RH SHIFT) (FOR SNORKEL VEH.) | 1 | |
| 19 | 643882 | STICKER(VANAZ PT NO K-0401-13) | 1 | |
| 20 | B041782 | ASSY CENTRAL BRACKET | 2 | |
| 21 | B075622 | RUBBER STRAP | 2 | |
| 22 | 632184 | RUBBER STRAP UPPER | 2 | |
| 23 | 632185 | LOWER STRAPS ASSY. | 2 | |
| 24 | B076437 | MIXER ASSLY LPG | 1 | |
| 25 | 925737 | FILTER ELEMENT(K-0301-12-050) | 1 | |
| 26 | 929949 | O RING | 1 | |
| 27 | 929948 | O RING | 1 | |
| 28 | 920012 | SOLENOID SWITCH (MFV) | 1 | |
| 29 | B077513 | CONTENT GAUGE LPG (ZERO DEGREE) | 1 | |

PLATE-39

Two Stage LPG Regulator

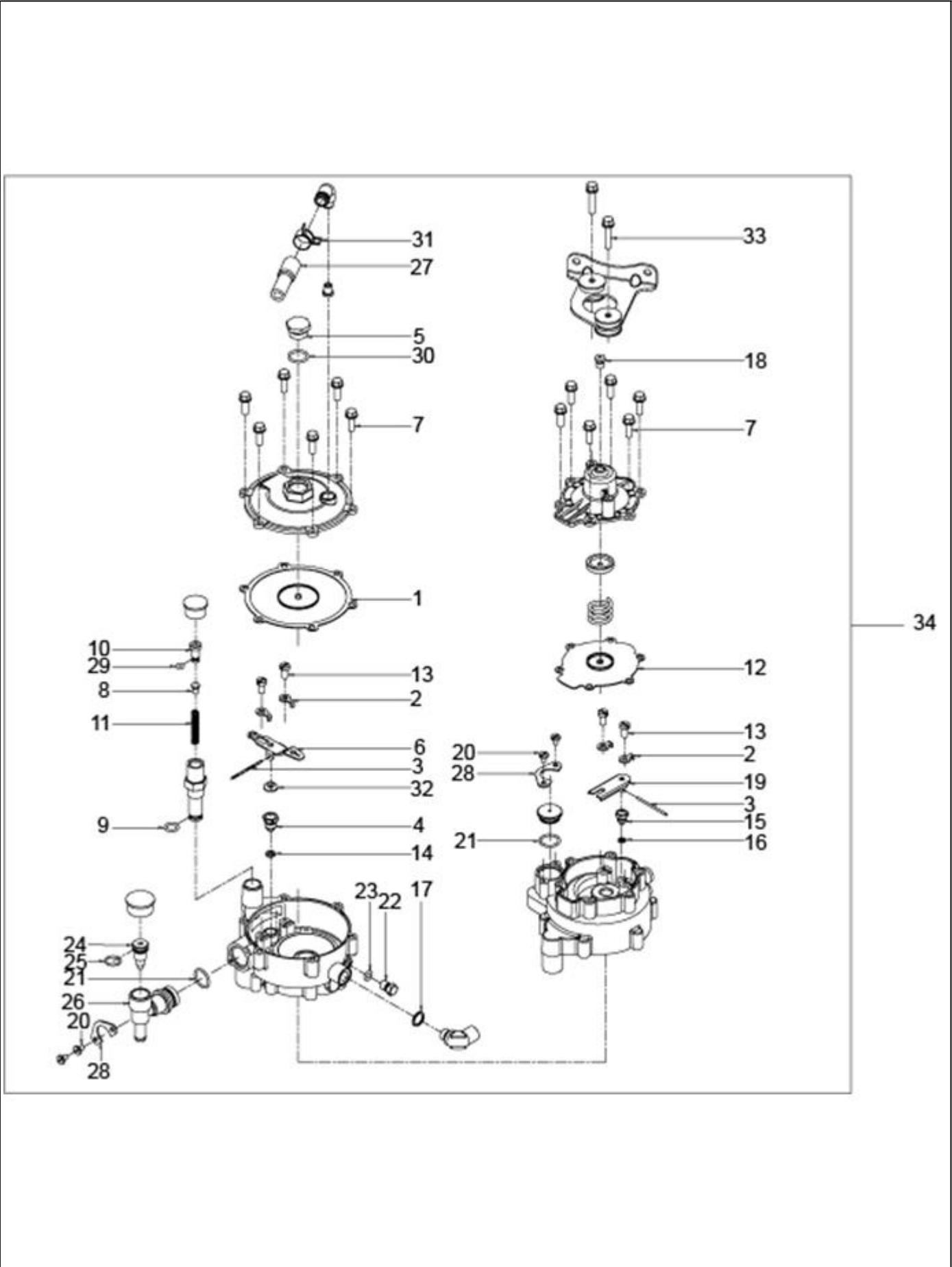


PLATE-39

Two Stage LPG Regulator

| Fig. No. | Part No. | Description | Qty | Remarks |
|----------|----------|-----------------------|-----|---------|
| 1 | 932207 | DIAPHRAGM SUB ASSY. | 1 | |
| 2 | 932208 | WASHER | 4 | |
| 3 | 932210 | LEVER PIN | 1 | |
| 4 | 932263 | SEAT | 1 | |
| 5 | 932229 | PLUG | 1 | |
| 6 | 932209 | LEVER SUB ASSY | 1 | |
| 7 | 932232 | FLANGE SCREW | 12 | |
| 8 | 932212 | SPRING GUIDE | 1 | |
| 9 | 925781 | O RING | 1 | |
| 10 | 932226 | IDLE SCREW | 1 | |
| 11 | 932264 | SPRING | 1 | |
| 12 | 932215 | DIAPHRAGM SUB ASSY. | 1 | |
| 13 | 661909 | CHEESE HEAD SCREW | 4 | |
| 14 | 932214 | WASHER | 1 | |
| 15 | 932218 | SEAT | 1 | |
| 16 | 932219 | WASHER | 1 | |
| 17 | 920008 | WASHER | 1 | |
| 18 | 932230 | BREATHING-I | 1 | |
| 19 | 932217 | LEVER SUB ASSY. | 1 | |
| 20 | 932220 | CHEESE HEAD SCREW | 1 | |
| 21 | 932221 | O RING | 1 | |
| 22 | 932222 | PLUG | 1 | |
| 23 | 925783 | O RING | 1 | |
| 24 | 932225 | FLOW ADJUSTING SCREW | 1 | |
| 25 | 929929 | O-RING | 1 | |
| 26 | 932224 | FLOW CONTROL BODY | 1 | |
| 27 | 932227 | BREATHING HOSE | 1 | |
| 28 | 932228 | CLAMP | 2 | |
| 29 | 932240 | O RING | 1 | |
| 30 | 932231 | O RING | 1 | |
| 31 | 932270 | CLIP | 1 | |
| 32 | 925768 | PAD | 1 | |
| 33 | 932255 | FLANGE SCREW | 1 | |
| 34 | B077331 | 2 STAGE LPG REGULATOR | 1 | |

PLATE-40

Tools And Accessories

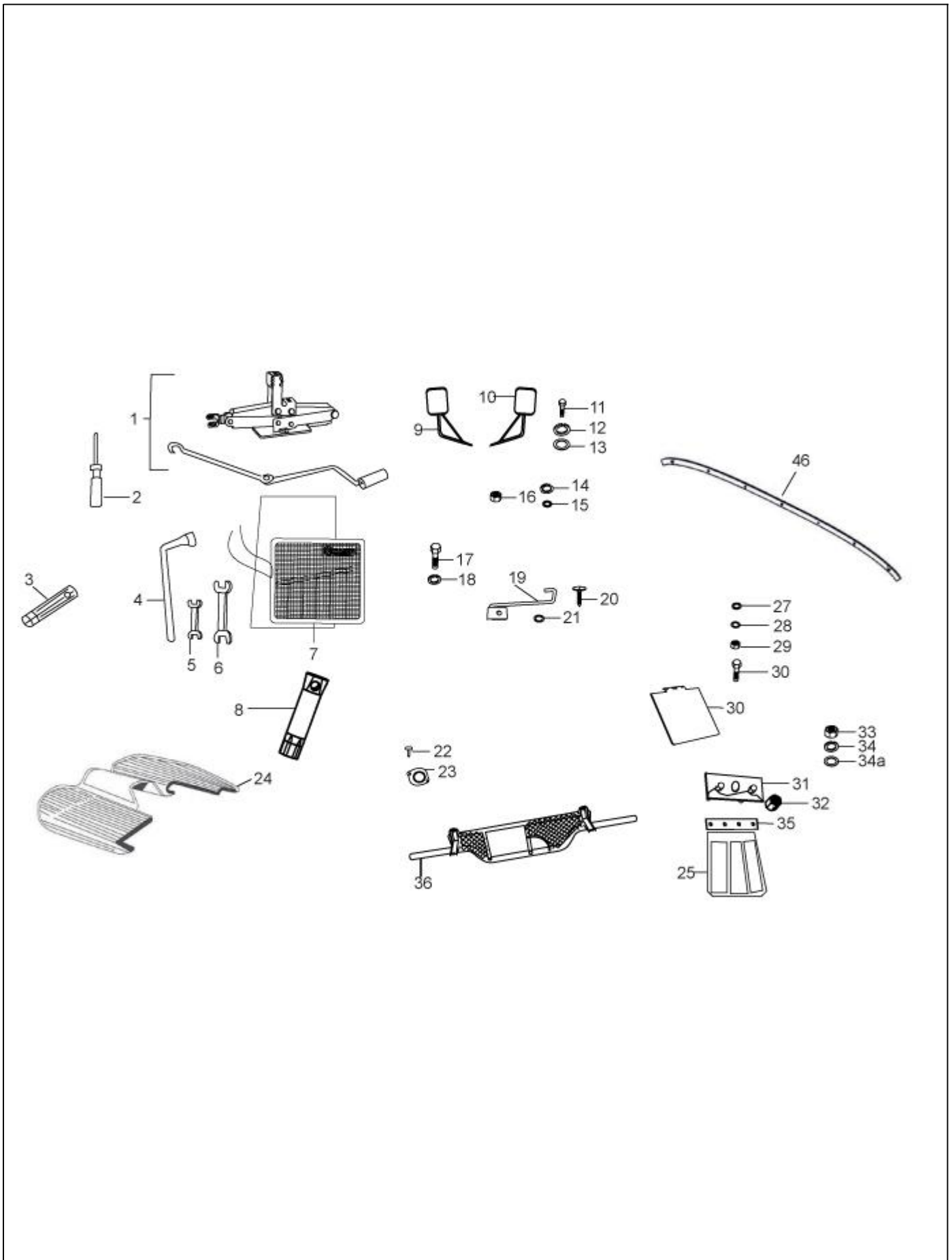


PLATE-40

Tools And Accessories

| Fig. No. | Part No. | Description | Qty | Remarks |
|----------|----------|---|-----|-----------------------|
| 1 | B076650R | JACK ASSLY | 1 | |
| 2 | 567458 | SCREW DRIVER (-)&(+) 80 | 1 | |
| 3 | 675378 | SOCKET WRENCH 16 | 1 | |
| 4 | B076142 | L TYPE SPANNER - A/F 16 | 1 | |
| 5 | 567454 | DOUBLE END SPANNER7/8 | 1 | |
| 6 | 567456 | DOUBLE END SPANNER 12/14 | 1 | |
| 7 | B041876 | TOOL BAG | 1 | |
| 8 | B041787 | SPARK PLUG SPANNER | 1 | |
| 9 | 643685R | OUTER REAR VIEW MIRROR LH ASSY. | 1 | |
| 9A | B008617 | OUTER REAR VIEW MIRROR LH ASSLY (EXP) | 1 | STEP-2 BS3 HS LAM PTL |
| 10 | 643684R | OUTER REAR VIEW MIRROR RH ASSY. | 1 | |
| 10A | B008616 | OUTER REAR-VIEW MIRROR RH ASSLY.(EXP) | 1 | STEP-2 BS3 HS LAM PTL |
| 11 | 31118 | SCREW M8X20 | 2 | |
| 12 | 16408 | SPRING WASHER M8 | 6 | |
| 13 | 3058 | PLAIN WASHER 15X8.4X1.5 | 20 | |
| 14 | 16408 | SPRING WASHER M8 | 4 | |
| 15 | 3058 | PLAIN WASHER 15X8.4X1.5 | 4 | |
| 16 | 20108 | HEX NUT M8 | 4 | |
| 17 | 31116 | HEX HD. SCREW M8X16 | 1 | |
| 18 | 16408 | SPRING WASHER M8 | 1 | |
| 19 | B001887 | STOPPER ASSLY. | 1 | |
| 20 | 15911 | PAN SELF TAP SCREW 8SG X 16 AB | 1 | |
| 21 | 16670 | PLAIN WASHER 12X4.5X1 | 1 | |
| 22 | 8451 | PAN SELF TP SCREW 6 SGX13 AB | 4 | |
| 23 | B003076 | COVER SHOCKER MTG. HOLE | 2 | |
| 24 | B075254 | FARE METERÀ Á MTG. BKT. | 1 | |
| 25 | B001789 | MUDFLAP MUDGAURD REAR | 2 | |
| 26 | 643661 | LICENSE PLATE MTG. BKT. | 1 | |
| 27 | 13861 | PLAIN WASHER 20X8.2X2.5 | 2 | |
| 28 | 12540 | SPRING WASHER M8 | 2 | |
| 29 | 20108 | HEX NUT M8 | 2 | |
| 30 | 30072 | HEX HEAD BOLT M8 X 35 | 2 | |
| 31 | B002208 | STRAP WITH PIN SPARE WHEEL MTG. | 1 | |
| 32 | 20108 | HEX NUT M8 | 2 | |
| 33 | 20106 | HEX NUT M6 | 12 | |

PLATE-40

Tools And Accessories

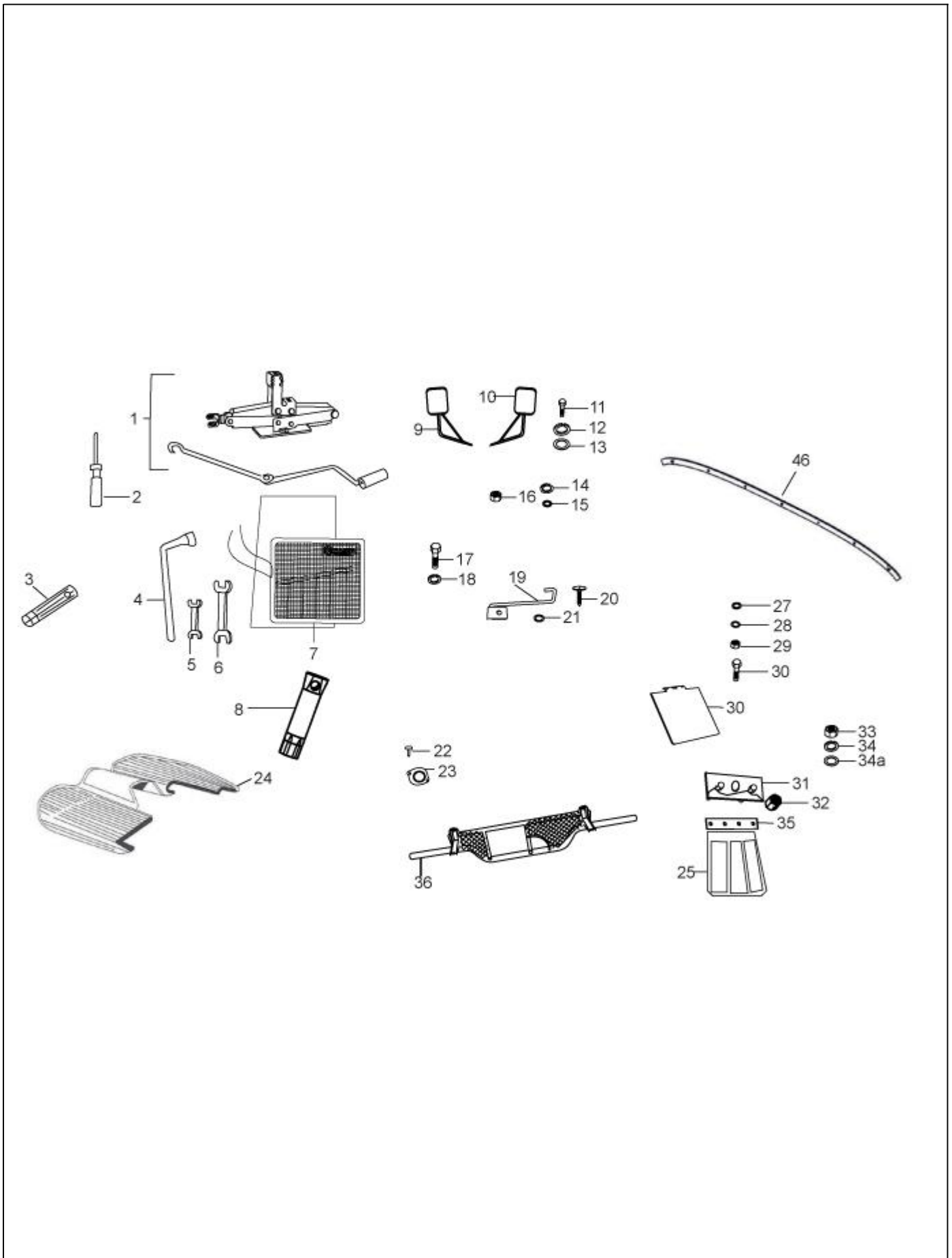


PLATE-40

Tools And Accessories

| Fig. No. | Part No. | Description | Qty | Remarks |
|----------|----------|-------------------------------|-----|---------|
| 34 | 16406 | SPRING WASHER | 12 | |
| 34a | 13880 | METALIC PLAIN WASHER | 12 | |
| 35 | B001788 | CLAMP MUDFLAP REAR | 2 | |
| 36 | B075102 | VISUAL BARRIER APE CITY CARGO | 1 | |

PARTS INDEX

APECITY_XTRA_P_C_L_BSIV_STEPII

| PART NO | BLOCK | PART NO | BLOCK | PART NO | BLOCK |
|---------|----------|---------|----------|---------|----------|
| ---- | PLATE-12 | 008771 | PLATE-25 | 020106 | PLATE-29 |
| --- | PLATE-3 | 008808 | PLATE-22 | 020106 | PLATE-30 |
| - | PLATE-11 | 008847 | PLATE-22 | 020106 | PLATE-30 |
| - | PLATE-29 | 009101 | PLATE-10 | 020106 | PLATE-34 |
| - | PLATE-31 | 009101 | PLATE-17 | 020108 | PLATE-18 |
| 000267 | PLATE-12 | 013880 | PLATE-19 | 020108 | PLATE-18 |
| 002139 | PLATE-17 | 013880 | PLATE-29 | 020108 | PLATE-18 |
| 002383 | PLATE-18 | 015727 | PLATE-22 | 020108 | PLATE-22 |
| 002383 | PLATE-18 | 015727 | PLATE-30 | 020108 | PLATE-27 |
| 003054 | PLATE-28 | 015900 | PLATE-29 | 020108 | PLATE-30 |
| 003055 | PLATE-20 | 016406 | PLATE-11 | 031058 | PLATE-22 |
| 003055 | PLATE-26 | 016406 | PLATE-18 | 031058 | PLATE-28 |
| 003055 | PLATE-28 | 016406 | PLATE-26 | 031058 | PLATE-28 |
| 003055 | PLATE-28 | 016406 | PLATE-28 | 031058 | PLATE-30 |
| 003055 | PLATE-28 | 016406 | PLATE-28 | 078307 | PLATE-29 |
| 003055 | PLATE-29 | 016406 | PLATE-28 | 107718 | PLATE-25 |
| 003055 | PLATE-30 | 016406 | PLATE-29 | 107826 | PLATE-25 |
| 003056 | PLATE-11 | 016406 | PLATE-30 | 107827 | PLATE-24 |
| 003056 | PLATE-28 | 016406 | PLATE-30 | 107871 | PLATE-25 |
| 003056 | PLATE-28 | 016406 | PLATE-31 | 108785 | PLATE-27 |
| 003056 | PLATE-29 | 016408 | PLATE-11 | 108800 | PLATE-22 |
| 003056 | PLATE-29 | 016408 | PLATE-18 | 108801 | PLATE-22 |
| 003056 | PLATE-31 | 016408 | PLATE-18 | 108804 | PLATE-22 |
| 003057 | PLATE-30 | 016408 | PLATE-18 | 108834 | PLATE-18 |
| 003058 | PLATE-30 | 016408 | PLATE-20 | 108873 | PLATE-25 |
| 003068 | PLATE-19 | 016408 | PLATE-30 | 108874 | PLATE-25 |
| 005745 | PLATE-22 | 016410 | PLATE-18 | 109012 | PLATE-20 |
| 005967 | PLATE-30 | 016410 | PLATE-18 | 109064 | PLATE-25 |
| 006066 | PLATE-24 | 016410 | PLATE-24 | 109066 | PLATE-25 |
| 006066 | PLATE-25 | 016410 | PLATE-25 | 109117 | PLATE-25 |
| 006078 | PLATE-22 | 016410 | PLATE-25 | 109227 | PLATE-21 |
| 006078 | PLATE-23 | 016410 | PLATE-26 | 109227 | PLATE-26 |
| 006078 | PLATE-28 | 018639 | PLATE-7 | 109227 | PLATE-26 |
| 006078 | PLATE-28 | 018639 | PLATE-13 | 109249 | PLATE-19 |
| 006733 | PLATE-25 | 020105 | PLATE-20 | 109263 | PLATE-22 |
| 006965 | PLATE-22 | 020105 | PLATE-28 | 109265 | PLATE-25 |
| 006965 | PLATE-28 | 020105 | PLATE-28 | 109361 | PLATE-30 |
| 006965 | PLATE-28 | 020105 | PLATE-28 | 109404 | PLATE-26 |
| 008080 | PLATE-23 | 020105 | PLATE-30 | 109635 | PLATE-26 |
| 008080 | PLATE-29 | 020106 | PLATE-28 | 109775 | PLATE-26 |
| 008265 | PLATE-30 | 020106 | PLATE-28 | 109892 | PLATE-24 |
| 008451 | PLATE-22 | 020106 | PLATE-29 | 111353 | PLATE-9 |
| 008451 | PLATE-28 | 020106 | PLATE-29 | 111356 | PLATE-6 |

| PART NO | BLOCK | PART NO | BLOCK | PART NO | BLOCK |
|-----------|----------|---------|----------|-----------|----------|
| 111498 | PLATE-6 | 13812 | PLATE-22 | 16408 | PLATE-21 |
| 112867R | PLATE-6 | 138237 | PLATE-27 | 16408 | PLATE-24 |
| 112898 | PLATE-9 | 13861 | PLATE-40 | 16408 | PLATE-27 |
| 113278 | PLATE-6 | 13861 | PLATE-21 | 16408 | PLATE-27 |
| 116971 | PLATE-22 | 13861 | PLATE-22 | 16410 | PLATE-24 |
| 117401 | PLATE-9 | 13880 | PLATE-40 | 16410 | PLATE-6 |
| 117402 | PLATE-9 | 13880 | PLATE-9 | 165121014 | PLATE-9 |
| 120164019 | PLATE-2 | 13880 | PLATE-27 | 16603 | PLATE-21 |
| 120170018 | PLATE-2 | 13935 | PLATE-22 | 16603 | PLATE-30 |
| 12136 | PLATE-22 | 140603 | PLATE-22 | 16620 | PLATE-26 |
| 12136 | PLATE-28 | 141925 | PLATE-26 | 16626 | PLATE-26 |
| 12138 | PLATE-26 | 150041R | PLATE-30 | 16670 | PLATE-40 |
| 12138 | PLATE-30 | 150579 | PLATE-25 | 16670 | PLATE-20 |
| 122032014 | PLATE-17 | 152025 | PLATE-22 | 178610 | PLATE-18 |
| 125181 | PLATE-26 | 15335 | PLATE-18 | 180431 | PLATE-25 |
| 125289 | PLATE-25 | 15478 | PLATE-18 | 181746 | PLATE-28 |
| 12536 | PLATE-32 | 15594 | PLATE-24 | 181747 | PLATE-28 |
| 12536 | PLATE-33 | 15618 | PLATE-26 | 182654 | PLATE-22 |
| 12540 | PLATE-40 | 157103 | PLATE-24 | 182660 | PLATE-22 |
| 12540 | PLATE-22 | 157103 | PLATE-24 | 182661 | PLATE-22 |
| 125411 | PLATE-27 | 157716 | PLATE-29 | 182662 | PLATE-22 |
| 12546 | PLATE-22 | 15911 | PLATE-40 | 182663 | PLATE-22 |
| 12546 | PLATE-28 | 15996 | PLATE-28 | 18630 | PLATE-20 |
| 126902 | PLATE-26 | 16319 | PLATE-26 | 18639 | PLATE-9 |
| 127012019 | PLATE-2 | 163659 | PLATE-22 | 193724 | PLATE-22 |
| 127013013 | PLATE-2 | 163660 | PLATE-22 | 197071 | PLATE-34 |
| 127016015 | PLATE-9 | 163661 | PLATE-22 | 1A000024 | PLATE-13 |
| 127111011 | PLATE-6 | 163663 | PLATE-22 | 1A000402 | PLATE-16 |
| 127185012 | PLATE-2 | 163665 | PLATE-22 | 1A000542 | PLATE-7 |
| 127451 | PLATE-26 | 163666 | PLATE-22 | 1A000612 | PLATE-9 |
| 127460010 | PLATE-2 | 163667 | PLATE-22 | 1A000708 | PLATE-9 |
| 12790 | PLATE-24 | 16405 | PLATE-19 | 1A000708 | PLATE-2 |
| 128633 | PLATE-24 | 16405 | PLATE-20 | 1A000742 | PLATE-16 |
| 128804ED | PLATE-30 | 16405 | PLATE-21 | 1A000831 | PLATE-13 |
| 128805ED | PLATE-30 | 16405 | PLATE-28 | 1A001073 | PLATE-12 |
| 132129 | PLATE-5 | 16405 | PLATE-30 | 1A001187R | PLATE-16 |
| 132134 | PLATE-5 | 16406 | PLATE-40 | 1A001794 | PLATE-9 |
| 132136R | PLATE-5 | 16406 | PLATE-27 | 1A001795 | PLATE-9 |
| 132244 | PLATE-5 | 16406 | PLATE-6 | 1A002358 | PLATE-14 |
| 136434 | PLATE-25 | 16408 | PLATE-40 | 1A002661 | PLATE-16 |
| 136451 | PLATE-24 | 16408 | PLATE-40 | 1A002685 | PLATE-9 |
| 136916 | PLATE-27 | 16408 | PLATE-40 | 1A002691 | PLATE-11 |
| 137235 | PLATE-25 | 16408 | PLATE-21 | 1A002691 | PLATE-13 |

| PART NO | BLOCK | PART NO | BLOCK | PART NO | BLOCK |
|----------|----------|-----------|----------|-----------|----------|
| 1A003060 | PLATE-10 | 1A009093 | PLATE-6 | 1A010162 | PLATE-17 |
| 1A005176 | PLATE-6 | 1A009125 | PLATE-11 | 1A010163 | PLATE-17 |
| 1A005178 | PLATE-10 | 1A009251 | PLATE-28 | 1A010166 | PLATE-17 |
| 1A006002 | PLATE-12 | 1A009352 | PLATE-28 | 1A010187 | PLATE-10 |
| 1A006115 | PLATE-17 | 1A009353 | PLATE-28 | 1A010192 | PLATE-10 |
| 1A006545 | PLATE-11 | 1A009586 | PLATE-16 | 1A010208 | PLATE-3 |
| 1A006687 | PLATE-17 | 1A009587 | PLATE-16 | 1A010461 | PLATE-3 |
| 1A006701 | PLATE-10 | 1A009588 | PLATE-16 | 1A010548 | PLATE-2 |
| 1A006740 | PLATE-13 | 1A009589 | PLATE-16 | 1A010561 | PLATE-3 |
| 1A006742 | PLATE-13 | 1A009590 | PLATE-16 | 1A010632 | PLATE-5 |
| 1A006743 | PLATE-13 | 1A009591 | PLATE-16 | 1A010632 | PLATE-6 |
| 1A006751 | PLATE-16 | 1A009592 | PLATE-16 | 1A010696R | PLATE-16 |
| 1A006806 | PLATE-6 | 1A009593 | PLATE-16 | 1A010720 | PLATE-9 |
| 1A006812 | PLATE-4 | 1A009621R | PLATE-15 | 1A010781 | PLATE-8 |
| 1A006856 | PLATE-9 | 1A009632 | PLATE-7 | 1A011044 | PLATE-17 |
| 1A006858 | PLATE-16 | 1A009706 | PLATE-11 | 1A011246 | PLATE-9 |
| 1A006859 | PLATE-10 | 1A009762 | PLATE-4 | 1A011500 | PLATE-9 |
| 1A006877 | PLATE-4 | 1A009779 | PLATE-6 | 1A011650 | PLATE-10 |
| 1A006899 | PLATE-14 | 1A010001 | PLATE-13 | 1A011914 | PLATE-7 |
| 1A006901 | PLATE-14 | 1A010008 | PLATE-10 | 1A012039 | PLATE-10 |
| 1A006970 | PLATE-17 | 1A010023 | PLATE-7 | 1A012150 | PLATE-3 |
| 1A006988 | PLATE-12 | 1A010024 | PLATE-7 | 1A012151 | PLATE-3 |
| 1A007026 | PLATE-9 | 1A010025 | PLATE-7 | 1A012152 | PLATE-3 |
| 1A007028 | PLATE-9 | 1A010026 | PLATE-7 | 1A012153 | PLATE-3 |
| 1A007029 | PLATE-17 | 1A010035 | PLATE-10 | 1A012154 | PLATE-3 |
| 1A007047 | PLATE-4 | 1A010088 | PLATE-7 | 1A012155 | PLATE-3 |
| 1A007051 | PLATE-6 | 1A010089 | PLATE-7 | 1A012156 | PLATE-3 |
| 1A007409 | PLATE-7 | 1A010090 | PLATE-7 | 1A012157 | PLATE-3 |
| 1A007501 | PLATE-6 | 1A010091 | PLATE-7 | 1A012158 | PLATE-3 |
| 1A007565 | PLATE-14 | 1A010092 | PLATE-7 | 1A012159 | PLATE-3 |
| 1A007599 | PLATE-10 | 1A010095 | PLATE-7 | 1A012160 | PLATE-3 |
| 1A007605 | PLATE-6 | 1A010096 | PLATE-7 | 1A012161 | PLATE-3 |
| 1A007774 | PLATE-9 | 1A010097 | PLATE-7 | 1A012182 | PLATE-10 |
| 1A008077 | PLATE-2 | 1A010098 | PLATE-7 | 1A012334 | PLATE-2 |
| 1A008397 | PLATE-14 | 1A010100 | PLATE-7 | 1A012334 | PLATE-10 |
| 1A008547 | PLATE-5 | 1A010101 | PLATE-7 | 1A012846 | PLATE-17 |
| 1A008547 | PLATE-6 | 1A010102 | PLATE-7 | 1A013013 | PLATE-14 |
| 1A008559 | PLATE-9 | 1A010119 | PLATE-3 | 1A013159 | PLATE-12 |
| 1A008672 | PLATE-12 | 1A010136 | PLATE-2 | 1A014399 | PLATE-16 |
| 1A008715 | PLATE-16 | 1A010150 | PLATE-12 | 1A015692 | PLATE-14 |
| 1A008804 | PLATE-34 | 1A010159 | PLATE-17 | 1A015723R | PLATE-11 |
| 1A008804 | PLATE-6 | 1A010160 | PLATE-17 | 1A016964 | PLATE-6 |
| 1A008823 | PLATE-9 | 1A010161 | PLATE-17 | 1D000425R | PLATE-16 |

| PART NO | BLOCK | PART NO | BLOCK | PART NO | BLOCK |
|-----------|----------|---------|----------|---------|----------|
| 1D000510 | PLATE-28 | 267065 | PLATE-24 | 31118 | PLATE-40 |
| 1D000671R | PLATE-28 | 267068 | PLATE-24 | 31118 | PLATE-21 |
| 1D001138 | PLATE-9 | 269755 | PLATE-9 | 31119 | PLATE-18 |
| 1D001846 | PLATE-16 | 269755 | PLATE-11 | 31119 | PLATE-18 |
| 1D001847 | PLATE-12 | 272178 | PLATE-18 | 31119 | PLATE-21 |
| 1D001894 | PLATE-31 | 285536 | PLATE-4 | 31119 | PLATE-30 |
| 1E002770 | PLATE-26 | 286328 | PLATE-18 | 31154 | PLATE-18 |
| 20104 | PLATE-20 | 286328 | PLATE-18 | 411311 | PLATE-9 |
| 20106 | PLATE-40 | 286328 | PLATE-18 | 431044 | PLATE-6 |
| 20106 | PLATE-27 | 286328 | PLATE-24 | 432142 | PLATE-9 |
| 20108 | PLATE-40 | 288730 | PLATE-5 | 433122 | PLATE-11 |
| 20108 | PLATE-40 | 30072 | PLATE-40 | 434541 | PLATE-14 |
| 20108 | PLATE-40 | 30074 | PLATE-11 | 434541 | PLATE-15 |
| 20108 | PLATE-21 | 30074 | PLATE-30 | 434716 | PLATE-11 |
| 20108 | PLATE-21 | 30074 | PLATE-30 | 435571 | PLATE-15 |
| 20108 | PLATE-21 | 30104 | PLATE-26 | 436947 | PLATE-11 |
| 20108 | PLATE-22 | 30104 | PLATE-26 | 48197 | PLATE-27 |
| 20108 | PLATE-27 | 30209R | PLATE-25 | 482335 | PLATE-15 |
| 20110 | PLATE-18 | 30242 | PLATE-20 | 483711 | PLATE-11 |
| 20110 | PLATE-24 | 30242 | PLATE-22 | 485655 | PLATE-9 |
| 20110 | PLATE-24 | 3055 | PLATE-27 | 485703 | PLATE-9 |
| 20110 | PLATE-25 | 3056 | PLATE-6 | 485703 | PLATE-11 |
| 20359 | PLATE-24 | 3058 | PLATE-40 | 485868 | PLATE-14 |
| 21110 | PLATE-25 | 3058 | PLATE-40 | 566545 | PLATE-25 |
| 21110 | PLATE-26 | 3058 | PLATE-21 | 567454 | PLATE-40 |
| 21118 | PLATE-24 | 3058 | PLATE-21 | 567456 | PLATE-40 |
| 21216 | PLATE-27 | 3058 | PLATE-21 | 567458 | PLATE-40 |
| 217280 | PLATE-19 | 3058 | PLATE-27 | 567461 | PLATE-27 |
| 220575 | PLATE-5 | 3068 | PLATE-24 | 567473 | PLATE-25 |
| 226596 | PLATE-24 | 31056 | PLATE-19 | 567498R | PLATE-28 |
| 226661 | PLATE-24 | 31057 | PLATE-28 | 567562 | PLATE-21 |
| 226662 | PLATE-24 | 31088 | PLATE-19 | 567581 | PLATE-28 |
| 229524 | PLATE-27 | 31088 | PLATE-19 | 567593 | PLATE-29 |
| 231370 | PLATE-18 | 31088 | PLATE-28 | 567690 | PLATE-27 |
| 231370 | PLATE-18 | 31088 | PLATE-28 | 567706 | PLATE-28 |
| 231370 | PLATE-24 | 31088 | PLATE-28 | 567732 | PLATE-30 |
| 231370 | PLATE-24 | 31088 | PLATE-31 | 567746 | PLATE-27 |
| 231370 | PLATE-24 | 31089 | PLATE-11 | 567747 | PLATE-28 |
| 231370 | PLATE-6 | 31089 | PLATE-26 | 567878R | PLATE-19 |
| 237246 | PLATE-24 | 31089 | PLATE-29 | 567898 | PLATE-27 |
| 243303R | PLATE-24 | 31089 | PLATE-30 | 567899 | PLATE-27 |
| 265091 | PLATE-18 | 31092 | PLATE-6 | 567920 | PLATE-27 |
| 267065 | PLATE-18 | 31116 | PLATE-40 | 567920 | PLATE-27 |

| PART NO | BLOCK | PART NO | BLOCK | PART NO | BLOCK |
|----------|----------|---------|----------|------------|----------|
| 567990 | PLATE-25 | 604758 | PLATE-25 | 643704R | PLATE-28 |
| 567991 | PLATE-25 | 604759 | PLATE-25 | 643705R | PLATE-28 |
| 567992 | PLATE-25 | 604760 | PLATE-27 | 643741 | PLATE-24 |
| 567993 | PLATE-25 | 604761 | PLATE-21 | 643772R | PLATE-25 |
| 568095 | PLATE-25 | 604863 | PLATE-35 | 643850 | PLATE-35 |
| 568131 | PLATE-21 | 604877 | PLATE-27 | 643882 | PLATE-38 |
| 568140 | PLATE-18 | 604908 | PLATE-19 | 643964 | PLATE-35 |
| 568148R | PLATE-22 | 604909 | PLATE-19 | 644814 | PLATE-27 |
| 568161 | PLATE-27 | 604948 | PLATE-18 | 644824 | PLATE-19 |
| 568288 | PLATE-21 | 604954 | PLATE-21 | 644852 | PLATE-21 |
| 568671 | PLATE-23 | 605389 | PLATE-22 | 645124 | PLATE-34 |
| 568682 | PLATE-21 | 60565 | PLATE-26 | 645141 | PLATE-21 |
| 568689 | PLATE-18 | 612455 | PLATE-27 | 652001 | PLATE-27 |
| 568692 | PLATE-20 | 616649 | PLATE-21 | 652105 | PLATE-19 |
| 568692 | PLATE-28 | 616738R | PLATE-19 | 652105 | PLATE-19 |
| 568713 | PLATE-20 | 6173 | PLATE-27 | 652253R | PLATE-21 |
| 568721 | PLATE-28 | 632056 | PLATE-27 | 658810 | PLATE-29 |
| 568737 | PLATE-27 | 632109 | PLATE-19 | 660109 | PLATE-28 |
| 569156 | PLATE-22 | 632158 | PLATE-26 | 660168 | PLATE-21 |
| 569157 | PLATE-22 | 632184 | PLATE-38 | 660168 | PLATE-23 |
| 569165 | PLATE-28 | 632185 | PLATE-35 | 660168 | PLATE-29 |
| 569244 | PLATE-18 | 632185 | PLATE-38 | 660820R | PLATE-31 |
| 569375 | PLATE-18 | 632238 | PLATE-22 | 661262 | PLATE-30 |
| 587617 | PLATE-24 | 632247 | PLATE-18 | 661266 | PLATE-24 |
| 587624 | PLATE-27 | 632292 | PLATE-28 | 661267 | PLATE-24 |
| 587671R | PLATE-28 | 632299 | PLATE-18 | 661282 | PLATE-24 |
| 587829 | PLATE-27 | 632508 | PLATE-21 | 661399 | PLATE-37 |
| 587902 | PLATE-26 | 632604 | PLATE-21 | 661909 | PLATE-39 |
| 587905PC | PLATE-21 | 63440 | PLATE-32 | 662323 | PLATE-30 |
| 587928 | PLATE-27 | 6410 | PLATE-6 | 662422 | PLATE-25 |
| 587963 | PLATE-20 | 6411 | PLATE-27 | 662423 | PLATE-25 |
| 5969 | PLATE-27 | 642537 | PLATE-9 | 6650 | PLATE-24 |
| 6018 | PLATE-22 | 64263 | PLATE-22 | 675378 | PLATE-40 |
| 604535 | PLATE-24 | 643149 | PLATE-9 | 680166 | PLATE-28 |
| 604553 | PLATE-8 | 643156 | PLATE-9 | 6A000068 | PLATE-34 |
| 604557 | PLATE-28 | 643367 | PLATE-11 | 6A000069 | PLATE-34 |
| 604558 | PLATE-22 | 643500 | PLATE-30 | 6A000070 | PLATE-34 |
| 604606 | PLATE-21 | 643661 | PLATE-40 | 6B000361BW | PLATE-21 |
| 604717 | PLATE-27 | 643661 | PLATE-30 | 6B000361CB | PLATE-21 |
| 604751 | PLATE-21 | 643684R | PLATE-40 | 6B000361EG | PLATE-21 |
| 604756 | PLATE-8 | 643685R | PLATE-40 | 6B000361GY | PLATE-21 |
| 604756 | PLATE-19 | 643691 | PLATE-23 | 6B000377 | PLATE-21 |
| 604758 | PLATE-25 | 643692 | PLATE-27 | 6B000378 | PLATE-21 |

| PART NO | BLOCK | PART NO | BLOCK | PART NO | BLOCK |
|-------------|----------|---------|----------|---------|----------|
| 6B000404BW | PLATE-21 | 920084 | PLATE-28 | 932218 | PLATE-36 |
| 6B000404CB | PLATE-21 | 920088 | PLATE-8 | 932218 | PLATE-39 |
| 6B000404CO | PLATE-21 | 925574 | PLATE-33 | 932219 | PLATE-36 |
| 6B000404EG | PLATE-21 | 925581 | PLATE-28 | 932219 | PLATE-39 |
| 6B000404GY | PLATE-21 | 925581 | PLATE-29 | 932220 | PLATE-36 |
| 6B000406BW | PLATE-21 | 925603 | PLATE-28 | 932220 | PLATE-39 |
| 6B000406CB | PLATE-21 | 925737 | PLATE-38 | 932221 | PLATE-36 |
| 6B000406ECO | PLATE-21 | 925768 | PLATE-36 | 932221 | PLATE-39 |
| 6B000406EG | PLATE-21 | 925768 | PLATE-39 | 932222 | PLATE-36 |
| 6B000406EGY | PLATE-21 | 925781 | PLATE-36 | 932222 | PLATE-39 |
| 6C000016 | PLATE-6 | 925781 | PLATE-39 | 932223 | PLATE-36 |
| 6C000041 | PLATE-6 | 925783 | PLATE-39 | 932224 | PLATE-36 |
| 7066 | PLATE-9 | 925786 | PLATE-28 | 932224 | PLATE-39 |
| 71633 | PLATE-30 | 929929 | PLATE-36 | 932225 | PLATE-36 |
| 74521 | PLATE-25 | 929929 | PLATE-39 | 932225 | PLATE-39 |
| 75708 | PLATE-25 | 929931 | PLATE-37 | 932226 | PLATE-36 |
| 808000826 | PLATE-20 | 929933 | PLATE-37 | 932226 | PLATE-39 |
| 812061656 | PLATE-24 | 929934 | PLATE-37 | 932227 | PLATE-36 |
| 812061656 | PLATE-25 | 929935 | PLATE-37 | 932227 | PLATE-39 |
| 812061656 | PLATE-27 | 929936 | PLATE-37 | 932228 | PLATE-36 |
| 82635R | PLATE-4 | 929938 | PLATE-37 | 932228 | PLATE-39 |
| 829593 | PLATE-4 | 929939 | PLATE-37 | 932229 | PLATE-36 |
| 829661 | PLATE-9 | 929940 | PLATE-37 | 932229 | PLATE-39 |
| 83040R | PLATE-14 | 929948 | PLATE-38 | 932230 | PLATE-36 |
| 83041R | PLATE-14 | 929949 | PLATE-38 | 932230 | PLATE-39 |
| 83053R | PLATE-11 | 932207 | PLATE-36 | 932231 | PLATE-36 |
| 83054R | PLATE-11 | 932207 | PLATE-39 | 932231 | PLATE-39 |
| 842001600 | PLATE-2 | 932208 | PLATE-36 | 932232 | PLATE-36 |
| 842001600 | PLATE-2 | 932208 | PLATE-39 | 932232 | PLATE-39 |
| 843000500 | PLATE-6 | 932209 | PLATE-39 | 932233 | PLATE-37 |
| 843000809 | PLATE-2 | 932210 | PLATE-36 | 932235 | PLATE-37 |
| 844719 | PLATE-15 | 932210 | PLATE-39 | 932236 | PLATE-37 |
| 8451 | PLATE-40 | 932211 | PLATE-36 | 932237 | PLATE-37 |
| 847928 | PLATE-14 | 932212 | PLATE-36 | 932238 | PLATE-37 |
| 847928 | PLATE-15 | 932212 | PLATE-39 | 932239 | PLATE-37 |
| 861990 | PLATE-35 | 932213 | PLATE-36 | 932240 | PLATE-36 |
| 87067 | PLATE-25 | 932214 | PLATE-36 | 932240 | PLATE-37 |
| 872816 | PLATE-9 | 932214 | PLATE-39 | 932240 | PLATE-39 |
| 878941 | PLATE-9 | 932215 | PLATE-36 | 932241 | PLATE-37 |
| 884222808 | PLATE-9 | 932215 | PLATE-39 | 932242 | PLATE-37 |
| 920008 | PLATE-39 | 932216 | PLATE-36 | 932243 | PLATE-37 |
| 920012 | PLATE-38 | 932217 | PLATE-36 | 932254 | PLATE-36 |
| 920083 | PLATE-28 | 932217 | PLATE-39 | 932255 | PLATE-36 |

| PART NO | BLOCK | PART NO | BLOCK | PART NO | BLOCK |
|---------|----------|----------|----------|---------|----------|
| 932255 | PLATE-39 | B002630 | PLATE-19 | B014066 | PLATE-9 |
| 932263 | PLATE-39 | B002847 | PLATE-22 | B014555 | PLATE-15 |
| 932264 | PLATE-39 | B002848 | PLATE-22 | B014684 | PLATE-11 |
| 932270 | PLATE-39 | B003002 | PLATE-32 | B014705 | PLATE-11 |
| 932273 | PLATE-35 | B003002 | PLATE-33 | B014706 | PLATE-11 |
| 932274 | PLATE-35 | B003003 | PLATE-32 | B014732 | PLATE-11 |
| 932275 | PLATE-35 | B003003 | PLATE-33 | B014755 | PLATE-9 |
| 932276 | PLATE-35 | B003004 | PLATE-32 | B014760 | PLATE-14 |
| 932306 | PLATE-38 | B003004 | PLATE-33 | B015288 | PLATE-11 |
| 932646 | PLATE-35 | B003008 | PLATE-32 | B015483 | PLATE-14 |
| 940028 | PLATE-5 | B003011 | PLATE-33 | B015543 | PLATE-7 |
| 940028 | PLATE-5 | B003012 | PLATE-33 | B015592 | PLATE-9 |
| 940064 | PLATE-38 | B003014 | PLATE-33 | B015598 | PLATE-4 |
| 940065 | PLATE-25 | B003017 | PLATE-32 | B015872 | PLATE-9 |
| 940066 | PLATE-25 | B003076 | PLATE-40 | B015873 | PLATE-9 |
| 940069 | PLATE-8 | B003110R | PLATE-31 | B015943 | PLATE-4 |
| 940071 | PLATE-8 | B003115 | PLATE-19 | B016016 | PLATE-7 |
| 940072 | PLATE-8 | B003115 | PLATE-19 | B016120 | PLATE-16 |
| 942247 | PLATE-38 | B003228 | PLATE-27 | B016144 | PLATE-12 |
| 963486 | PLATE-15 | B003286 | PLATE-18 | B016147 | PLATE-16 |
| 97756 | PLATE-22 | B003300 | PLATE-32 | B016148 | PLATE-16 |
| 97756 | PLATE-22 | B003300 | PLATE-33 | B016192 | PLATE-13 |
| B001225 | PLATE-33 | B003324 | PLATE-32 | B016368 | PLATE-11 |
| B001228 | PLATE-33 | B003325 | PLATE-32 | B016552 | PLATE-9 |
| B001301 | PLATE-25 | B003327 | PLATE-33 | B016620 | PLATE-13 |
| B001302 | PLATE-25 | B003328 | PLATE-33 | B016774 | PLATE-7 |
| B001315 | PLATE-22 | B003330 | PLATE-33 | B016774 | PLATE-14 |
| B001315 | PLATE-25 | B003331 | PLATE-33 | B016774 | PLATE-16 |
| B001316 | PLATE-22 | B003864 | PLATE-22 | B016774 | PLATE-5 |
| B001316 | PLATE-24 | B003865 | PLATE-22 | B016822 | PLATE-7 |
| B001316 | PLATE-25 | B003929 | PLATE-19 | B016823 | PLATE-7 |
| B001317 | PLATE-24 | B003978 | PLATE-21 | B016824 | PLATE-7 |
| B001319 | PLATE-24 | B006286 | PLATE-38 | B016825 | PLATE-7 |
| B001323 | PLATE-25 | B006287 | PLATE-38 | B016827 | PLATE-7 |
| B001386 | PLATE-20 | B006509 | PLATE-32 | B016828 | PLATE-7 |
| B001788 | PLATE-40 | B006544 | PLATE-21 | B016829 | PLATE-7 |
| B001789 | PLATE-40 | B006853 | PLATE-26 | B016834 | PLATE-7 |
| B001887 | PLATE-40 | B008616 | PLATE-40 | B016869 | PLATE-7 |
| B002208 | PLATE-40 | B008617 | PLATE-40 | B017113 | PLATE-14 |
| B002344 | PLATE-24 | B008637 | PLATE-21 | B017165 | PLATE-14 |
| B002486 | PLATE-24 | B008638 | PLATE-21 | B017165 | PLATE-15 |
| B002486 | PLATE-33 | B009159 | PLATE-35 | B017189 | PLATE-16 |
| B002539 | PLATE-21 | B014063 | PLATE-9 | B017230 | PLATE-11 |

| PART NO | BLOCK | PART NO | BLOCK | PART NO | BLOCK |
|----------|----------|----------|----------|-----------|----------|
| B017323 | PLATE-14 | B024892 | PLATE-19 | B073478 | PLATE-23 |
| B017336 | PLATE-11 | B024937 | PLATE-8 | B073479 | PLATE-23 |
| B017431 | PLATE-14 | B024948R | PLATE-28 | B073481 | PLATE-23 |
| B017438 | PLATE-11 | B041089 | PLATE-8 | B073492 | PLATE-28 |
| B017456 | PLATE-11 | B041090 | PLATE-8 | B073523ED | PLATE-30 |
| B017542 | PLATE-7 | B041160 | PLATE-27 | B073526ED | PLATE-30 |
| B017746 | PLATE-14 | B041161 | PLATE-27 | B073531BW | PLATE-30 |
| B018262 | PLATE-13 | B041181 | PLATE-25 | B073531CB | PLATE-30 |
| B018442 | PLATE-7 | B041445 | PLATE-8 | B073531CO | PLATE-30 |
| B018533 | PLATE-11 | B041491 | PLATE-38 | B073531EG | PLATE-30 |
| B018718 | PLATE-14 | B041600 | PLATE-26 | B073531GY | PLATE-30 |
| B018853 | PLATE-2 | B041774 | PLATE-27 | B073531SY | PLATE-30 |
| B018853 | PLATE-16 | B041774 | PLATE-34 | B073600 | PLATE-28 |
| B018854 | PLATE-15 | B041782 | PLATE-38 | B073667SP | PLATE-25 |
| B018946 | PLATE-14 | B041783 | PLATE-35 | B073682 | PLATE-28 |
| B019047 | PLATE-13 | B041783 | PLATE-37 | B073685 | PLATE-28 |
| B019220 | PLATE-2 | B041784 | PLATE-35 | B073690 | PLATE-25 |
| B019317 | PLATE-15 | B041784 | PLATE-37 | B073715 | PLATE-28 |
| B019420 | PLATE-16 | B041787 | PLATE-40 | B073810 | PLATE-23 |
| B019420 | PLATE-3 | B041876 | PLATE-40 | B073811 | PLATE-23 |
| B023727R | PLATE-28 | B042199 | PLATE-38 | B073812 | PLATE-23 |
| B023727R | PLATE-28 | B042317 | PLATE-27 | B073814 | PLATE-23 |
| B023727R | PLATE-28 | B042356 | PLATE-34 | B073821 | PLATE-28 |
| B023786 | PLATE-27 | B042390 | PLATE-19 | B073829 | PLATE-19 |
| B023940 | PLATE-6 | B042396 | PLATE-27 | B073835 | PLATE-19 |
| B023968 | PLATE-31 | B042438 | PLATE-25 | B073837 | PLATE-19 |
| B023976 | PLATE-23 | B042486 | PLATE-9 | B073850 | PLATE-26 |
| B024056 | PLATE-28 | B042517 | PLATE-21 | B073872 | PLATE-29 |
| B024113 | PLATE-25 | B042599 | PLATE-27 | B073875 | PLATE-29 |
| B024113 | PLATE-32 | B042612 | PLATE-21 | B073875SL | PLATE-29 |
| B024147 | PLATE-35 | B042693 | PLATE-27 | B073882BL | PLATE-29 |
| B024147 | PLATE-38 | B042750 | PLATE-38 | B073882BW | PLATE-29 |
| B024168 | PLATE-19 | B042794 | PLATE-27 | B073882CB | PLATE-29 |
| B024169 | PLATE-23 | B042878 | PLATE-22 | B073882EG | PLATE-29 |
| B024194 | PLATE-35 | B042976 | PLATE-27 | B073882GY | PLATE-29 |
| B024374 | PLATE-24 | B042977 | PLATE-27 | B073882NB | PLATE-29 |
| B024501 | PLATE-30 | B073024 | PLATE-38 | B073882WR | PLATE-29 |
| B024532 | PLATE-28 | B073084 | PLATE-38 | B073953 | PLATE-29 |
| B024601R | PLATE-35 | B073084 | PLATE-38 | B073969 | PLATE-29 |
| B024614 | PLATE-6 | B073085 | PLATE-38 | B073970 | PLATE-29 |
| B024641 | PLATE-28 | B073320R | PLATE-31 | B073979 | PLATE-31 |
| B024733 | PLATE-22 | B073441 | PLATE-8 | B074033 | PLATE-29 |
| B024734 | PLATE-22 | B073469 | PLATE-34 | B074040 | PLATE-26 |

| PART NO | BLOCK | PART NO | BLOCK | PART NO | BLOCK |
|-----------|----------|-----------|----------|----------|----------|
| B074170 | PLATE-29 | B075693 | PLATE-28 | B076750 | PLATE-19 |
| B074171 | PLATE-29 | B075694 | PLATE-25 | B076752 | PLATE-19 |
| B074214 | PLATE-31 | B075703 | PLATE-23 | B076753 | PLATE-19 |
| B074216 | PLATE-23 | B075716 | PLATE-34 | B076753 | PLATE-19 |
| B074246 | PLATE-35 | B075732 | PLATE-23 | B077245 | PLATE-24 |
| B074262 | PLATE-23 | B075790 | PLATE-19 | B077245 | PLATE-25 |
| B074275 | PLATE-23 | B075798 | PLATE-18 | B077249 | PLATE-31 |
| B074433 | PLATE-29 | B075807 | PLATE-24 | B077249 | PLATE-31 |
| B074434 | PLATE-29 | B075808 | PLATE-24 | B077250 | PLATE-31 |
| B074491 | PLATE-28 | B075838 | PLATE-27 | B077251 | PLATE-31 |
| B074498 | PLATE-26 | B075861 | PLATE-38 | B077331 | PLATE-39 |
| B074539 | PLATE-28 | B075862 | PLATE-35 | B077333 | PLATE-35 |
| B074539 | PLATE-29 | B075982 | PLATE-35 | B077333 | PLATE-36 |
| B074588R | PLATE-22 | B076036 | PLATE-34 | B077358 | PLATE-30 |
| B074588R | PLATE-24 | B076036 | PLATE-34 | B077458 | PLATE-24 |
| B074590R | PLATE-22 | B076050BW | PLATE-30 | B077458 | PLATE-24 |
| B074590R | PLATE-24 | B076050CB | PLATE-30 | B077461 | PLATE-25 |
| B074851 | PLATE-38 | B076050CO | PLATE-30 | B077465 | PLATE-25 |
| B074905 | PLATE-23 | B076050EG | PLATE-30 | B077469 | PLATE-23 |
| B074999 | PLATE-27 | B076050GY | PLATE-30 | B077470 | PLATE-23 |
| B075043 | PLATE-35 | B076050SY | PLATE-30 | B077481 | PLATE-24 |
| B075102 | PLATE-40 | B076078 | PLATE-34 | B077513 | PLATE-38 |
| B075108 | PLATE-31 | B076098ED | PLATE-20 | B077643 | PLATE-35 |
| B075186ED | PLATE-30 | B076112 | PLATE-8 | B077865 | PLATE-29 |
| B075253 | PLATE-19 | B076120 | PLATE-29 | B077866 | PLATE-29 |
| B075254 | PLATE-40 | B076142 | PLATE-40 | B077882 | PLATE-38 |
| B075255 | PLATE-23 | B076164 | PLATE-23 | B077976 | PLATE-24 |
| B075327 | PLATE-38 | B076200 | PLATE-35 | B077976 | PLATE-25 |
| B075337 | PLATE-19 | B076201 | PLATE-35 | B078002 | PLATE-31 |
| B075426 | PLATE-38 | B076202 | PLATE-35 | B078003 | PLATE-31 |
| B075459 | PLATE-18 | B076203 | PLATE-35 | B078213 | PLATE-31 |
| B075488 | PLATE-27 | B076208 | PLATE-34 | B078272 | PLATE-29 |
| B075489 | PLATE-27 | B076226 | PLATE-21 | B078274 | PLATE-29 |
| B075492 | PLATE-27 | B076290 | PLATE-24 | B078286R | PLATE-29 |
| B075565 | PLATE-34 | B076295 | PLATE-18 | CM166102 | PLATE-7 |
| B075566 | PLATE-34 | B076304 | PLATE-28 | CM166103 | PLATE-7 |
| B075593 | PLATE-18 | B076364 | PLATE-34 | CM167704 | PLATE-7 |
| B075595 | PLATE-18 | B076364 | PLATE-34 | CM167708 | PLATE-7 |
| B075621 | PLATE-35 | B076435 | PLATE-35 | CM167802 | PLATE-7 |
| B075622 | PLATE-38 | B076437 | PLATE-38 | CM167902 | PLATE-7 |
| B075636 | PLATE-38 | B076438 | PLATE-38 | CM263501 | PLATE-7 |
| B075638 | PLATE-35 | B076650R | PLATE-40 | CM263502 | PLATE-7 |
| B075687ED | PLATE-26 | B076749 | PLATE-19 | CM263602 | PLATE-7 |

